



- EN ■ User Manual
- CZ ■ Uživatelská příručka
- SK ■ Používateľská príručka
- HU ■ Felhasználói kézikönyv
- PL ■ Podręcznik użytkownika

- Digital audio system with Bluetooth
- Digitální audio systém s Bluetooth
- Digitálny audio systém s Bluetooth
- Digitális audio rendszer Bluetooth-szal
- Cyfrowy system audio z Bluetooth



## Table of Contents

Safety Instructions.....	2
Guide to the Appliance.....	4
Top View.....	4
Getting Started.....	5
POWER SOURCE.....	5
Operation instruction.....	5
BASIC FUNCTION.....	5
RADIO OPERATION.....	6
USB/ TF CARD OPERATION.....	6
RECORDING.....	7
BLUETOOTH OPERATION.....	8
LINE-IN OPERATION.....	8
MIC/ GUITAR JACK OPERATION.....	8
Technical Specifications.....	9
GENERAL.....	9
INSTRUCTIONS AND INFORMATION REGARDING THE DISPOSAL OF USED PACKAGING MATERIALS.....	10
DISPOSAL OF USED ELECTRICAL AND ELECTRONIC APPLIANCES.....	10

## Safety Instructions

This product has been designed with the utmost safety in mind.

However, incorrect use may lead to electric shock or fire. This is why users should observe the following instructions when using this device.

This device uses a semiconductor unit and contains no user serviceable parts. Do not disassemble this device, otherwise you are exposed to the risk of electric shock. If any damage to this product occurs, please have this product repaired by a qualified service technician.

### Power source

Power supply of this unit must be match the serial plate data.

### Heat source

Keep this unit out of heat sources like stove or direct sunlight.

### Cleaning

Prior to cleaning, please disconnect power first. For cleaning, don't use liquid detergents or caustic liquids - just clean the unit with a soft cloth.

### Heavy objects

Do not place heavy objects on the unit, otherwise damage might occur.

### Connecting other devices

Before connecting other devices to this unit, please make sure to disconnect power. Otherwise damage to the unit or personal injury might occur.

### Faults to be repaired

If any of the following problems occurs, please disconnect power to the unit and contact a qualified service technician.

- A. Power cord or plug is damaged.
- B. Liquids or other foreign objects have penetrated inside the product.
- C. If the unit does not work even if it's being operated according to the instructions, don't press any buttons other than those described in these instructions. Otherwise, damage to this unit may occur along with a more demanding repair.
- D. This unit has fallen on the ground from a big height.
- E. Burns can be smelled from the product inside.

### Maintenance

If you don't have enough technical knowledge necessary to maintain this unit, don't attempt to repair it by yourself. By removing cover, you are exposed to a risk of electric shock. If needed, please contact a qualified service technician.

**Replacement of parts**

If you need to replace any part of this unit, ask your service technician to make a replacement for equal spare part models. If other spare part models are used for replacement, serious damage, electric shock or shortening the unit's lifetime may occur.

**Safety check**

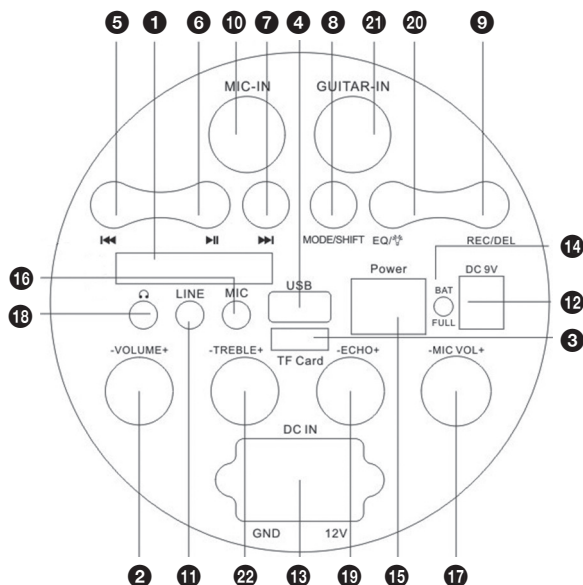
When done with the maintenance, ask your service technician to perform an on-site safety check to make sure that the unit's operation is safe.

**Note:**

Before using this product, read these instructions carefully and keep it well for future use.

# Guide to the Appliance

## Top View



- 1 LED Screen
- 2 VOLUME
- 3 TF CARD Port
- 4 USB Port
- 5 ◀◀ PREVIOUS
- 6 ▶▶ PLAY/PAUSE button
- 7 ▶▶ NEXT
- 8 Mode/SHIFT
- 9 REC/DEL: Recording/delete
- 10 MIC-IN: Microphone input jack 6,3 mm
- 11 LINE: LINE IN 3,5 mm
- 12 DC 9V: recharging port
- 13 DC IN: 12V recharging port
- 14 Recharging indicator light
- 15 Power: power switch:  
"—" - ON; "O" - OFF.
- 16 MIC: headphone/MIC 3,5 mm
- 17 MIC VOL:  
microphone volume regulation knob
- 18 Earphone port
- 19 ECHO: Microphone reverberation  
regulating knob
- 20 EQ/🌿 Environment Switching
- 21 GUITAR-IN:  
Electric guitar input port 6,3 mm
- 22 TREBLE

# Getting Started

## POWER SOURCE

This unit works with rechargeable Li-ion battery (the battery capacity 1800 mAh). Fully charge the unit (around 3 hours) before using the product for the first time. The playback time has about 5 hours after full charging. Plugging the power adapter initiates the charging of a battery, the charge LED indicator lights red during charging. When the battery is fully charged the indicator will turn to blue. When the unit is with low battery, the display will indicated battery in the right corner.



### Warning:

Do not change the battery, only high-qualified personnel can perform this operation.

## Operation instruction

### BASIC FUNCTION

#### TURNING THE UNIT ON/OFF

Press the power switch to turn the unit on/off.

#### SETTING THE FUNCTION MODE

By a short press it allows to toggle between TF card / USB / LINE IN / FM / Bluetooth receiving modes. Long press it allows to toggle between a recording folder (a folder with the recorded files via this device) and MP3 folder.

#### ADJUSTING THE VOLUME/ECHO LEVEL

1. Rotate the **VOLUME** knob on the unit to increase or decrease the music volume. Long press of PREVIOUS / NEXT button enables to decrease / increase the music volume.
2. Rotate the **MIC VOL.** knob on the unit to increase or decrease the microphone volume.
3. Rotate the **ECHO** knob on the unit to increase or decrease the microphone/guitar echo effect.

#### EQUALIZER (EQ) FUNCTION

In USB/TF reading status press **Environment Switching** to select an environment mode (square, meeting, home, hall and personal). A long press enables to control a disco LED lighting (turn on/off).

## RADIO OPERATION

Listen to FM radio broadcasts. Repeatedly press the **MODE/SHIFT** button on the unit to select a FM mode, then the display shows FM and the radio frequency.

Note: in order to get the best reception, extend the FM ANTENNA on the top of the unit before use to its full length.

### AUTO PRESET MEMORY / SCAN

To scan for stations within reception range and save them to preset memory automatically, press shortly a PLAY/PAUSE button in an FM receiving status. It is recommended to execute at least one full search before using radio receiving function. All founded stations will be saved even in power-off.

After the unit is finished scanning, the unit will automatically tune to preset number 1 (PO1).

### TUNING TO A RADIO STATION

To tune to a preset station:

- To tune to the next preset station, press the **NEXT** button.
- To tune to the previous preset station, press the **PREVIOUS** button.

## USB/ TF CARD OPERATION

1. Press the **MODE/SHIFT** button on unit to select "USB" or "TF card" mode. To insert the TF card into the TF slot keep the TF card contacts upwards and insert the full length of the card into the device until you hear a "click" sound. To eject the TF card from the device press the TF card edge by a fingernail or a blunt subject and the TF card will be ejected.
2. Plug the USB memory stick/ TF card to its port. Playback will start automatically from Track 1.
3. To pause playback, press the **PLAY/PAUSE** button on unit. To resume playback, press the **PLAY/PAUSE** button again.
4. Long press enables to select one of playback sequencing modes (ALL - play all tracks in sequence; FOLDER "FOd" - repeat the tracks from the folder; ONE - repeat one track; RANDOM "rdO" - plays the tracks in a random order).
5. To select a desired track, press repeatedly and shortly the **PREVIOUS/NEXT** button respectively during playing until the desired track appears on the display. The unit will start play automatically.



#### Important:

The USB port is intended for data transfer only, other devices cannot be used with this USB connection. The use of USB extension cords is not recommended. Don't unplug the USB from the unit when playing or reading the USB device.



**Attention:**

With respect to the variety of devices on the market, the compatibility and playability of all media is not guaranteed. Memory devices that you wish to connect should be tested in advance or formatted to the FAT32 file format. It may not be possible to playback protected media, files or content contained on them. Playback tested and unprotected media and content.

**Note:**

Media with a power consumption greater than flash memory should only be connected if it has its own power source.

## RECORDING

Recording is available in AUX and FM mode.

Short press REC/DEL button to enable recording (USB/TF storage device need be connected first), next short press stops the recording. During recording, reverberation (ECHO) should be tuned to the minimum. Long press the REC/DEL button to delete a recording file.

The sound will be saved in the RECORD folder as .WAV file.

**Attention:**

During recording in LINE IN mode, the input signal should be in proper strength as you like.

During recording in FM receiving mode, keep the device in a proper location where the radio signal will be received best to ensure optimized recording performance.

During recording via External microphone, tune the ECHO knob to the minimum. It is noticeable that the microphone should be located a proper distance away from the speaker to prevent any howl-round or noise.

**Note:**

A recording is available for a time depending on the storage capacity. All recorded tracks have the same time and date of creation (the device does not support time and date entry).

## BLUETOOTH OPERATION

1. Press the **MODE/SHIFT** button on unit to switch to BLUETOOTH function. The LCD display shows a flashing status message "**BLUE**" (ready to pair the devices).
2. Turn on the Bluetooth function on the device, scan the unit "**SSS3200**" and connect, then input the password 0000 if required. The LCD display shows a status message "BLUE" (devices have been successfully paired).
3. Press Play to start playback.
4. Press and hold the **PLAY/PAUSE** button to disconnect Bluetooth.

### Note:

The Bluetooth works best within 10 meters in open air.



### Attention:

Some connected devices can support an undivided volume settings. If one of the connected devices do not support this function then the volume adjustment will work on both devices separately.

## LINE-IN OPERATION

1. Press the **MODE/SHIFT** button on unit to select the "LINE" mode.
2. Connect your audio device to the LINE IN jack.
3. Control the playback with your audio device.
4. In LINE IN mode, short press PLAY/PAUSE button allows to toggle between mute and normal volume.

## MIC/ GUITAR JACK OPERATION

Microphone input is available in all modes.

1. Connect your microphone to the 6,3mm **MIC-IN** and/or to 3,5 mm **MIC**. Connect your guitar to the 6,3 mm **GUITAR-IN**. A green light in "BAT FULL" area indicates a connected microphone/ guitar to the device.
2. Rotate the **MIC VOL.** knob on the unit to increase or decrease the microphone/ guitar volume.

### Note:

The TREBLE knob should be set to a minimum level while connecting an electric guitar to the device.

# Technical Specifications

## GENERAL

Power Requirements	AC100–240 V~60/50 Hz
Power consumption	33 W
Power output	30 W
FM frequency	FM 87.5–108 MHz
AUX in jack	3.5 mm
Microphone jack	6.3 mm
Work temperature	5 °C–+40 °C

## Bluetooth

Communication system	Bluetooth Standard version 5.0+EDR
Reception Range	10 meter (line-of-sight distance)
Compatible Bluetooth profiles	Advanced Audio Distribution Profile (A2DP)

## ACCESSORIES

Instruction Booklet.....	1
AC Cord .....	1
Wired microphone .....	1

### Note:

Specifications are subject to change for continuous improvement without prior notice.

## INSTRUCTIONS AND INFORMATION REGARDING THE DISPOSAL OF USED PACKAGING MATERIALS

Dispose of packaging material at a public waste disposal site.

## DISPOSAL OF USED ELECTRICAL AND ELECTRONIC APPLIANCES



The meaning of the symbol on the product, its accessory or packaging indicates that this product shall not be treated as household waste. Please, dispose of this product at your applicable collection point for the recycling of electrical & electronic equipment waste. Alternatively in some states of the European Union or other European states you may return your products to your local retailer when buying an equivalent new product. The correct disposal of this product will help save valuable natural resources and help in preventing the potential negative impact on the environment and human health, which could be caused as a result of improper liquidation of waste. Please ask your local authorities or the nearest waste collection centre for further details. The improper disposal of this type of waste may fall subject to national regulations for fines.

### For business entities in the European Union

If you wish to dispose of an electrical or electronic device, request the necessary information from your seller or supplier.

### Disposal in other countries outside the European Union

If you wish to dispose of this product, request the necessary information about the correct disposal method from local government departments or from your seller.



The product meets EU requirements.

Hereby, FAST ČR, a.s. declares that the radio equipment type SSS 3200 KIDS is in compliance with Directive 2014/53/EU.

The full text of the EU declaration of conformity is available at the following internet address: [www.sencor.eu](http://www.sencor.eu)

Changes in the text, design and technical specifications may be made without prior notice and we reserve the right to make such changes.

The original version is in the Czech language.

Address of the manufacturer: FAST ČR, a.s., U Sanitasu 1621, Říčany CZ-251 01

# SENCOR®

## EN Warranty conditions

**Warranty card is not a part of the device packaging.**

This product is warranted for the period of 24 months from the date of purchase to the end-user. Warranty is limited to the following conditions. Warranty is referred only to the customer goods using for common domestic use. The claim for service can be applied either at dealer's shop where the product was bought, or at below mentioned authorized service shops. The end-user is obligated to set up a claim immediately when the defects appeared but only till the end of warranty period. The end user is obligated to cooperate to certify the claiming defects. Only completed and clean (according to hygienic standards) product will be accepted. In case of eligible warranty claim the warranty period will be prolonged by the period from the date of claim application till the date of taking over the product by end-user, or the date the end-user is obligated to take it over. To obtain the service under this warranty, end-user is obligated to certify his claim with duly completed following documents: receipt, certificate of warranty, certificate of installation.

### **This warranty is void especially if apply as follows:**

- Defects which were put on sale.
- Wear-out or damage caused by common use.
- The product was damaged by unprofessional or wrong installation, used in contrary to the applicable instruction manual, used in contrary to legal enactment and common process of use or used for another purpose which has been designed for.
- The product was damaged by uncared-for or insufficient maintenance.
- The product was damaged by dirt, accident of force majeure (natural disaster, fire, and flood).
- Defects on functionality caused by low duality of signal, electromagnetic field interference etc.
- The product was mechanically damaged (e.g. broken button, fall).
- Damage caused by use of unsuitable media, fillings, expendable supplies (batteries) or by unsuitable working conditions (e.g. high temperatures, high humidity, quakes).
- Repair, modification or other failure action to the product by unauthorized person.
- End-user did not prove enough his right to claim (time and place of purchase).
- Data on presented documents differs from data on products.
- Cases when the claiming product cannot be indentified according to the presented documents (e.g. the serial number or the warranty seal has been damaged).

### **Authorized service centers**

Visit [www.sencor.com](http://www.sencor.com) for detailed information about authorized service centers.

## Notes

# Obsah

Bezpečnostní pokyny .....	2
Popis zařízení.....	4
Pohled shora .....	4
Začínáme .....	5
ZDROJ NAPÁJENÍ .....	5
Pokyny k obsluze.....	5
ZÁKLADNÍ FUNKCE.....	5
POUŽÍVÁNÍ RÁDIA.....	6
POUŽÍVÁNÍ USB/ TF KARTY.....	6
ZÁZNAM .....	7
POUŽÍVÁNÍ BLUETOOTH .....	8
POUŽITÍ LINKOVÉHO VSTUPU.....	8
POUŽITÍ ZÁSUVKY PRO MIKROFON/ KYTARU .....	8
Technické údaje .....	9
OBECNÝ ÚVOD.....	9
POKYNY A INFORMACE K LIKVIDACI VYŘAZENÝCH OBALOVÝCH MATERIÁLŮ .....	10
LIKVIDACE VYŘAZENÝCH ELEKTRICKÝCH A ELEKTRONICKÝCH SPOTŘEBIČŮ .....	10

## Bezpečnostní pokyny

Tento výrobek byl navržen s maximálním ohledem na bezpečnost. Jeho nesprávné použití však může vést k úrazu elektrickým proudem nebo k požáru. Proto musí uživatelé při používání tohoto zařízení dodržovat následující pokyny. Toto zařízení používá polovodičovou jednotku a neobsahuje žádné součásti opravitelné uživatelem. Nerozebírejte toto zařízení, mohli byste být vystaveni riziku úrazu elektrickým proudem. Dojde-li k nějakému poškození tohoto výrobku, nechejte si jej opravit kvalifikovaným servisním technikem.

### Zdroj napájení

Zdroj napájení pro toto zařízení musí odpovídat údajům na typovém štítku.

### Zdroje tepla

Chraňte tento přístroj před zdroji tepla, jako jsou kamna nebo přímé sluneční světlo.

### Čištění

Před čištěním nejprve odpojte napájení. Pro čištění nepoužívejte tekuté čisticí prostředky ani žíravé kapaliny – přístroj očistěte jen měkkým hadříkem.

### Těžké předměty

Nepokládejte těžké předměty na přístroj, mohlo by dojít k jeho poškození.

### Připojení jiných zařízení

Před připojením jiných zařízení k tomuto přístroji nezapomeňte odpojit napájení. V opačném případě by mohlo dojít k poškození přístroje nebo ke zranění osob.

### Poruchy vyžadující opravu

Pokud dojde k některému z následujících problémů, odpojte napájení přístroje a obraťte se na kvalifikovaného servisního technika.

- Došlo k poškození napájecího kabelu nebo zástrčky.
- Do přístroje se dostala kapalina nebo jiné cizí předměty.
- Pokud přístroj nefunguje, přestože jej ovládáte podle návodu, nepoužívejte žádná jiná tlačítka než ta, co jsou uvedena v tomto návodu. Mohlo by dojít k poškození přístroje a zvýšení náročnosti jeho opravy.
- Tento přístroj spadl na zem z velké výšky.
- Zevnitř přístroje je cítit zápach spáleniny.

### Údržba

Pokud nemáte technické znalosti potřebné pro údržbu tohoto přístroje, nepokoušejte se jej sami opravit. Po otevření krytu přístroje hrozí nebezpečí zasažení elektrickým proudem. V případě potřeby kontaktujte kvalifikovaného servisního technika.



**Výměna dílů**

Potřebujete-li vyměnit kteroukoliv část tohoto přístroje, požádejte servisního technika o výměnu za stejné modely náhradních dílů. Pokud by na výměnu byly použity jiné modely náhradních dílů, mohlo by dojít k úrazu elektrickým proudem nebo ke zkrácení životnosti přístroje.

**Kontrola bezpečnosti**

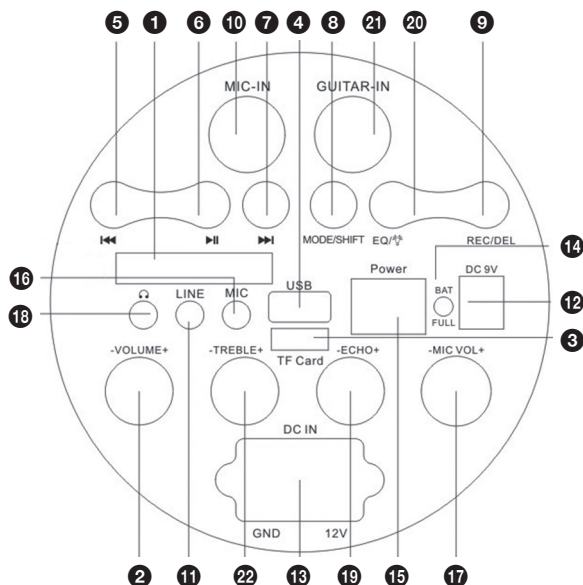
Po dokončení údržby požádejte servisního technika o provedení bezpečnostní kontroly na místě, abyste měli jistotu, že přístroj funguje bezpečně.

**Poznámka:**

Před použitím tohoto výrobku si pečlivě prostudujte tyto pokyny a pečlivě je uchovejte pro budoucí použití.

# Popis zařízení

## Pohled shora



- 1 LED displej
- 2 VOLUME (hlasitost)
- 3 Slot TF karty
- 4 Konektor USB
- 5 ◀◀ PREVIOUS (předchozí)
- 6 ▶▶ Tlačítko PLAY/PAUSE (přehrávání/pauza)
- 7 ▶▶▶ NEXT (další)
- 8 Mode/SHIFT (režim/ZMĚNA)
- 9 REC/DEL: Záznam/smazat
- 10 MIC-IN: Konektor mikrofonu 6,3 mm
- 11 LINE: Linkový vstup 3,5 mm
- 12 DC 9V: zásuvka dobíjení
- 13 DC IN: 12V zásuvka dobíjení
- 14 Indikátor dobíjení
- 15 Power (napájení): vypínač: „—“ – ON (zapnuto); „O“ – OFF (vypnuto).
- 16 MIC (mikrofon): headphone/MIC (sluchátka/mikrofon) 3,5 mm
- 17 MIC VOL: knoflík hlasitosti mikrofonu
- 18 Konektor pro sluchátka
- 19 ECHO: Knoflík regulace ozvěny mikrofonu
- 20 EQ/🎸 Přepínání prostředí
- 21 GUITAR-IN: Konektor elektrické kytary 6,3 mm
- 22 TREBLE (výšky)

# Začínáme

## ZDROJ NAPÁJENÍ

Toto zařízení používá dobíjecí Li-ion baterii (kapacita baterie je 1800 mAh). Zařízení nechte úplně nabit (po dobu asi 3 hodin), než ho použijete poprvé. Doba přehrávání je přibližně 5 hodin při plném nabití. Připojením napájecího adaptéru se spustí nabíjení baterie, během nabíjení bude svítit červený LED indikátor. Po úplném nabití baterie se indikátor rozsvítí modře. Při vybité baterii se v pravém rohu displeje zobrazí symbol baterie.



### Upozornění:

Nevyměňujte baterii, tuto operaci může provádět pouze vysoce kvalifikovaný pracovník.

## Návod k obsluze

### ZÁKLADNÍ FUNKCE

#### ZAPNUTÍ/VYPNUTÍ ZAŘÍZENÍ

Stisknutím vypínače přístroj zapnete nebo vypnete.

#### NASTAVENÍ FUNKČNÍHO REŽIMU

Krátkým stisknutím se postupně přepíná vstup TF karty / USB / LINE IN /FM / Bluetooth. Dlouhým stisknutím se přepíná mezi záznamovou složkou (složka se soubory zaznamenanými tímto zařízením) a složkou MP3.

#### ÚPRAVA HLASITOSTI/ÚROVNĚ OZVĚNY

1. Otáčením knoflíku **VOLUME** (hlasitost) na zařízení se zvyšuje nebo snižuje hlasitost hudby.  
Dlouhým stisknutím tlačítka **PREVIOUS** / **NEXT** (předchozí/další) se může snížit / zvýšit hlasitost hudby.
2. Otáčením knoflíku **MIC VOL** (hlasitost mikrofonu) na zařízení se zvyšuje nebo snižuje hlasitost mikrofonu.
3. Otáčením knoflíku **ECHO** (ozvěna) na zařízení se zvyšuje nebo snižuje projev ozvěny mikrofonu nebo kytary.

#### FUNKCE EKVALIZÉRU (EQ)

Ve stavu čtení z USB nebo TF můžete stisknutím **Environment Switching** vybrat typ prostředí (náměstí, porada, domov, hala a soukromí). Dlouhé stisknutí dovoluje ovládat Led osvětlení typu disko (zapnout nebo vypnout).

## POUŽÍVÁNÍ RÁDIA

Poslech rozhlasových stanic v pásmu FM. Opakovaně mačkejte tlačítko **MODE/SHIFT** (režim/změna) na zařízení, až se na displeji objeví FM a vysílací frekvence.

Poznámka: abyste dosáhli co nejlepšího příjmu, vytáhněte nejprve anténu na horní straně přístroje v celé její délce.

### AUTOMATICKÉ ULOŽENÍ STANIC NA PŘEDVOLBY

Chcete-li vyhledat stanice v dosahu přístroje a automaticky je uložit do paměti předvoleb, v režimu FM příjmu stiskněte krátce tlačítko **PLAY/PAUSE**. Doporučujeme provést aspoň jednou kompletní vyhledání stanic, než začnete funkci příjmu rádia využívat.

Všechny nalezené stanice zůstanou v paměti i po vypnutí napájení.

Až zařízení dokončí vyhledávání, automaticky naladí předvolbu číslo 1 (PO1).

### NALADĚNÍ ROZHLASOVÉ STANICE

Naladění stanice uložené na předvolbě:

- Budete-li chtít přeladit na další předvolbu, stiskněte tlačítko **NEXT** (další).
- Budete-li chtít přeladit na další předvolbu, stiskněte tlačítko **NEXT** (další).

## POUŽÍVÁNÍ USB/ TF KARTY

1. Stisknutím tlačítka **MODE/SHIFT** (režim/změna) na zařízení vyberte režim „USB“ nebo „TF karta“. Při zasouvání do slotu držte TF kartu kontakty nahoru a zasuňte ji úplně do zařízení, až uslyšíte cvaknutí. Budete-li chtít TF kartu vysunout ze zařízení, stiskněte její okraj nehtem nebo nějakým tupým předmětem a karta vyskočí.
2. USB paměť nebo TF kartu vložte do odpovídajícího portu. Přehrávání se automaticky spustí od skladby 1.
3. Přehrávání pozastavíte stiskem tlačítka **PLAY/PAUSE** (přehrávání/pauza). Přehrávání obnovíte opětovným stiskem tlačítka **PLAY/PAUSE** (přehrávání/pauza).
4. Dlouhé stisknutí dovolí zvolit jeden ze způsobů pořadí přehrávání (ALL – přehraje postupně všechny skladby; FOLDER „FOd“ – bude opakovaně přehrávat skladby ve složce; ONE – bude opakovat jednu skladbu; RANDOM „rdO“ – přehraje skladby v náhodném pořadí).
5. Budete-li si chtít vybrat určitou skladbu, stiskněte opakovaně a krátce tlačítko **PREVIOUS/NEXT** (předchozí/další) v průběhu přehrávání, až se požadovaná skladba objeví na displeji. Zařízení začne s přehráváním automaticky.



#### Důležité:

Port USB je určen pouze pro přenos dat, jiná zařízení nesmíte do tohoto portu připojovat. Použití USB prodlužovacích kabelů se nedoporučuje. Neodpojujte USB paměťové zařízení, když z něj probíhá přehrávání, nebo když se načítá.

**Pozor:**

S ohledem na množství zařízení na trhu není garantována kompatibilita a podpora přehrávání u všech médií. Paměťová zařízení, která chcete připojit, byste měli předem otestovat nebo zformátovat souborovým formátem FAT32. Přehrávání chráněných médií, souborů nebo obsahu se nemusí zdařit. Přehrávání otestovaných a nechráněných médií a obsahu.

**Poznámka:**

Média s větší spotřebou energie než má paměť typu flash, byste měli připojit pouze v případě, že mají svůj vlastní zdroj napájení.

## NAHRÁVÁNÍ

Nahrávání je k dispozici v režimu AUX a FM.

Krátce stiskněte tlačítko REC/DEL, aby se spustilo nahrávání (USB/TF paměť musí už před tím připojená k přístroji), další krátké stisknutí záznam zastaví. Během nahrávání je třeba ozvěnu (ECHO) na stavit na minimum. Dlouhé stisknutí tlačítka REC/DEL vymaže soubor nahrávky.

Zaznamenaný zvuk se uloží do složky RECORD ve formátu WAV.

**Pozor:**

Při nahrávání v režimu LINE IN si nastavte preferovanou hlasitost vstupního signálu.

Při nahrávání v režimu FM příjmu zařízení dejte na místo s nejlepšími podmínkami příjmu, abyste dosáhli kvalitní nahrávky.

Při nahrávání z externího mikrofonu stáhněte knoflík ECHO (ozvěna) na minimum. Věnujte pozornost tomu, aby byl mikrofon dostatečně daleko od reproduktoru, jinak by se mohlo projevit zpětnovazební houkání.

**Poznámka:**

Dostupná doba záznamu je závislá na kapacitě paměťového zařízení. Všechny nahrávky budou mít shodné datum a čas pořízení (zařízení neumožňuje zadávat datum a čas).

## POUŽÍVÁNÍ BLUETOOTH

1. Stisknutím tlačítka **MODE/SHIFT** (režim/změna) na zařízení přepněte na funkci BLUETOOTH. Na LCD displeji se zobrazí blikající hlášení „**BLUE**“ (připraveno k párování zařízení).
2. Zapněte funkci Bluetooth na zařízení, vyhledejte jednotku „**SSS3200**“ a připojte, budete-li požádáni o heslo, zadejte 0000. Na LCD displeji se zobrazí stavové hlášení „**BLUE**“ (zařízení se úspěšně spárovalo).
3. Stisknutím tlačítka **PLAY** spusťte přehrávání.
4. Přidržením stisknutého tlačítka **PLAY/PAUSE** Bluetooth odpojte.

### Poznámka:

Funkce Bluetooth funguje nejlépe v dosahu 10 metrů při přímé viditelnosti.



### Pozor:

Některá připojená zařízení podporují jednotné nastavení hlasitosti. Pokud některé z připojených zařízení tuto funkci nepodporuje, nastavení hlasitosti bude fungovat na obou zařízeních samostatně.

## POUŽÍVÁNÍ LINKOVÉHO VSTUPU

1. Stisknutím tlačítka **MODE/SHIFT** (režim/změna) na zařízení vyberte režim „**LINE**“.
2. Svoje audio zařízení připojte do konektoru **LINE IN**.
3. Přehrávání ovládejte z audio zařízení.
4. V režimu **LINE IN** můžete krátkým stisknutím tlačítka **PLAY/PAUSE** přehrávání ztlumit a dalším stisknutím obnovit původní hlasitost.

## POUŽITÍ ZÁSUVKY PRO MIKROFON/ KYTARU

Vstup pro mikrofon je k dispozici ve všech režimech.

1. Mikrofon připojte do 6,3mm konektoru **MIC-IN** nebo do 3,5mm konektoru **MIC**. Kytaru připojte do 6,3mm konektoru **GUITAR-IN**. Zelený indikátor v blízkosti oznámení „**BAT FULL**“ oznamuje, že je k zařízení připojený mikrofon nebo kytara.
2. Otáčením knoflíku **MIC VOL** (hlasitost mikrofonu) na zařízení se zvyšuje nebo snižuje hlasitost mikrofonu nebo kytary.

### Poznámka:

Když budete k zařízení připojovat kytaru, stáhněte knoflík **TREBLE** (výšky) na minimum.

## Technické údaje

### OBECNÉ

Požadavky na napájení	100–240 V~ 60/50 Hz
Příkon	33 W
Výstupní výkon	30 W
Frekvence FM	87,5–108 MHz
Konektor AUX IN	3,5 mm
Konektor mikrofonu	6,3 mm
Teplota okolí	5–40 °C

### Bluetooth

Systém komunikace	Bluetooth Standard verze 5.0+EDR
Dosah příjmu	10 metrů (při přímé viditelnosti)
Kompatibilní Bluetooth profily	Advanced Audio Distribution Profile (A2DP)

### PŘÍSLUŠENSTVÍ

Návod k obsluze.....	1
Síťový napájecí kabel .....	1
Kabelový mikrofon.....	1

#### Poznámka:

Technické údaje se mohou z důvodu neustálého vylepšování změnit bez předchozího upozornění.

## POKYNY A INFORMACE K LIKVIDACI VYŘAZENÝCH OBALOVÝCH MATERIÁLŮ

Obalový materiál odevzdejte k likvidaci do sběrného dvora.

## LIKVIDACE VYŘAZENÝCH ELEKTRICKÝCH A ELEKTRONICKÝCH ZAŘÍZENÍ



Tento symbol umístěný na produktu, příslušenství nebo obalu upozorňuje na to, že s produktem nesmí být nakládáno jako s běžným domácím odpadem. Zlikvidujte prosím tento produkt ve sběrném dvoře určeném k recyklaci elektrických a elektronických zařízení. V některých státech Evropské unie nebo v některých evropských zemích můžete při nákupu ekvivalentního nového produktu vrátit vaše produkty místnímu prodejci. Řádnou likvidací tohoto produktu pomáháte chránit cenné přírodní zdroje a předcházet možným negativním dopadům na životní prostředí a lidské zdraví, ke kterým by mohlo dojít v důsledku nesprávné likvidace odpadu. Další podrobnosti vám poskytnou místní úřady nebo nejbližší sběrný dvůr pro likvidaci odpadu. Nesprávná likvidace tohoto typu odpadu může být předmětem udělení pokuty ze zákona.

### Pro firmy v Evropské unii

Pokud potřebujete zlikvidovat elektrické nebo elektronické zařízení, požádejte vašeho prodejce nebo dodavatele o nezbytné informace.

### Likvidace v zemích mimo Evropskou unii

Pokud chcete tento produkt zlikvidovat, požádejte o nezbytné informace o správném způsobu likvidace ministerstvo nebo vašeho prodejce.



Výrobek splňuje požadavky EU na něj kladené.

Tímto FAST ČR, a.s. prohlašuje, že typ rádiového zařízení SSS 3200 KIDS je v souladu se směrnicí 2014/53/EU. Úplné znění EU prohlášení o shodě je k dispozici na této internetové adrese: [www.sencor.eu](http://www.sencor.eu)

Text, design a technické údaje se mohou změnit bez předchozího upozornění a vyhrazujeme si právo provádět změny.

Originální verze je v českém jazyce.

Adresa výrobce: FAST ČR, a.s., U Sanitasu 1621, Říčany CZ-251 01



# SENCOR®

## CZ Záruční podmínky

**Součástí balení tohoto výrobku není záruční list.**

Prodávající poskytuje kupujícímu na výrobek záruku v trvání 24 měsíců od převzetí výrobku kupujícím. Záruka se poskytuje za dále uvedených podmínek. Záruka se vztahuje pouze na nové spotřební zboží prodané spotřebiteli pro běžné domácí použití. Práva z odpovědnosti za vady (reklamací) může kupující uplatnit buď u prodávajícího, u kterého byl výrobek zakoupen nebo v níže uvedeném autorizovaném servisu. Kupující je povinen reklamaci uplatnit bez zbytečného odkladu, aby nedocházelo ke zhoršení vady, nejpozději však do konce záruční doby. Kupující je povinen poskytnout při reklamaci součinnost nutnou pro ověření existence reklamované vady. Do reklamačního řízení se přijímá pouze kompletní a z důvodů dodržení hygienických předpisů neznečištěný výrobek. V případě oprávněné reklamace se záruční doba prodlužuje o dobu od okamžiku uplatnění reklamace do okamžiku převzetí opraveného výrobku kupujícím nebo okamžiku, kdy je kupující po skončení opravy povinen výrobek převzít. Kupující je povinen prokázat svá práva reklamovat (doklad o zakoupení výrobku, záruční list, doklad o uvedení výrobku do provozu).

### **Záruka se nevztahuje zejména na:**

- vady, na které byla poskytnuta sleva;
- opotřebení a poškození vzniklé běžným užíváním výrobku;
- poškození výrobku v důsledku neodborné či nesprávné instalace, použití výrobku v rozporu s návodem k použití, platnými právními předpisy a obecně známými a obvyklými způsoby používání, v důsledku použití výrobku k jinému účelu, než ke kterému je určen;
- poškození výrobku v důsledku zanedbané nebo nesprávné údržby;
- poškození výrobku způsobené jeho znečištěním, nehodou a zásahem vyšší moci (živelná událost, požár, vniknutí vody);
- vady funkčnosti výrobku způsobené nevhodnou kvalitou signálu, rušivým elektromagnetickým polem apod. mechanické poškození výrobku (např. ulomení knoflíku, pád);
- poškození způsobené použitím nevhodných médií, náplní, spotřebního materiálu (baterie) nebo nevhodnými provozními podmínkami (např. vysoké okolní teploty, vysoká vlhkost prostředí, otřesy);
- poškození, úpravu nebo jiný zásah do výrobku provedený neoprávněnou nebo neautorizovanou osobou (servísem);
- případy, kdy kupující při reklamaci neprokáže oprávněnost svých práv (kdy a kde reklamovaný výrobek zakoupil);
- případy, kdy se údaje v předložených dokladech liší od údajů uvedených na výrobku;
- případy, kdy reklamovaný výrobek nelze ztotožnit s výrobkem uvedeným v dokladech, kterými kupující prokazuje svá práva reklamovat (např. poškození výrobního čísla nebo záruční plomba přístroje, přepisované údaje v dokladech).

### **Gestor servisu v ČR:**

**FAST ČR, a.s., U Sanitasy 1621, 251 01 Říčany; tel: 323 204 120**

**FAST ČR, a.s., Cejl 31, 602 00 Brno; tel: 531 010 295**

Více autorizovaných servisních středisek pro ČR naleznete na [www.sencor.cz](http://www.sencor.cz).

## Poznámka

# Obsah

Bezpečnostné pokyny .....	2
Popis zariadenia .....	4
Pohľad zhora .....	4
Začínáme .....	5
ZDROJ NAPÁJANIA .....	5
Pokyny na obsluhu .....	5
ZÁKLADNÉ FUNKCIE .....	5
POUŽÍVANIE RÁDIA .....	6
POUŽÍVANIE USB/ TF KARTY .....	6
ZÁZNAM .....	7
POUŽÍVANIE BLUETOOTH .....	8
POUŽITIE LINKOVÉHO VSTUPU .....	8
POUŽITIE ZÁSUVKY PRE MIKROFÓN/ GITARU .....	8
Technické údaje .....	9
VŠEOBECNÝ ÚVOD .....	9
POKYNY A INFORMÁCIE K LIKVIDÁCII VYRADENÝCH OBALOVÝCH MATERIÁLOV .....	10
LIKVIDÁCIA VYRADENÝCH ELEKTRICKÝCH A ELEKTRONICKÝCH SPOTREBIČOV .....	10

## Bezpečnostné pokyny

Tento výrobok bol navrhnutý s maximálnym ohľadom na bezpečnosť. Jeho nesprávne použitie však môže viesť k úrazu elektrickým prúdom alebo k požiaru. Preto musia používatelia pri používaní tohto zariadenia dodržiavať nasledujúce pokyny. Toto zariadenie používa polovodičovú jednotku a neobsahuje žiadne súčasti opraviteľné používateľom. Nerozoberajte toto zariadenie, mohli by ste byť vystavení riziku úrazu elektrickým prúdom. Ak dôjde k nejakému poškodeniu tohto výrobku, nechajte si ho opraviť kvalifikovaným servisným technikom.

### Zdroj napájania

Zdroj napájania pre toto zariadenie musí zodpovedať údajom na typovom štítku.

### Zdroje tepla

Chráňte tento prístroj pred zdrojmi tepla, ako sú kachle alebo priame slnečné svetlo.

### Čistenie

Pred čistením najprv odpojte napájanie. Na čistenie nepoužívajte tekuté čistiace prostriedky ani žieravé kvapaliny – prístroj očistite len mäkkou handričkou.

### Ťažké predmety

Nekladte ťažké predmety na prístroj, mohlo by dôjsť k jeho poškodeniu.

### Prípojenie iných zariadení

Pred pripojením iných zariadení k tomuto prístroju nezabudnite odpojiť napájanie. V opačnom prípade by mohlo dôjsť k poškodeniu prístroja alebo k zraneniu osôb.

### Poruchy vyžadujúce opravu

Ak dôjde k niektorému z nasledujúcich problémov, odpojte napájanie prístroja a obráťte sa na kvalifikovaného servisného technika.

- Došlo k poškodeniu napájacieho kábla alebo zástrčky.
- Do prístroja sa dostala kvapalina alebo iné cudzie predmety.
- Ak prístroj nefunguje napriek tomu, že ho ovládate podľa návodu, nepoužívajte žiadne iné tlačidlá než tie, čo sú uvedené v tomto návode. Mohlo by dôjsť k poškodeniu prístroja a zvýšeniu náročnosti jeho opravy.
- Tento prístroj spadol na zem z veľkej výšky.
- Zvnútra prístroja je cítiť zápach spáleniny.

### Údržba

Ak nemáte technické znalosti potrebné na údržbu tohto prístroja, nepokúšajte sa ho sami opraviť. Po otvorení krytu prístroja hrozí nebezpečenstvo zasiahnutia elektrickým prúdom. V prípade potreby kontaktujte kvalifikovaného servisného technika.

**Výmena dielov**

Ak potrebujete vymeniť ktorúkoľvek časť tohto prístroja, požiadajte servisného technika o výmenu za rovnaké modely náhradných dielov. Ak by sa na výmenu použili iné modely náhradných dielov, mohlo by dôjsť k úrazu elektrickým prúdom alebo ku skráteniu životnosti prístroja.

**Kontrola bezpečnosti**

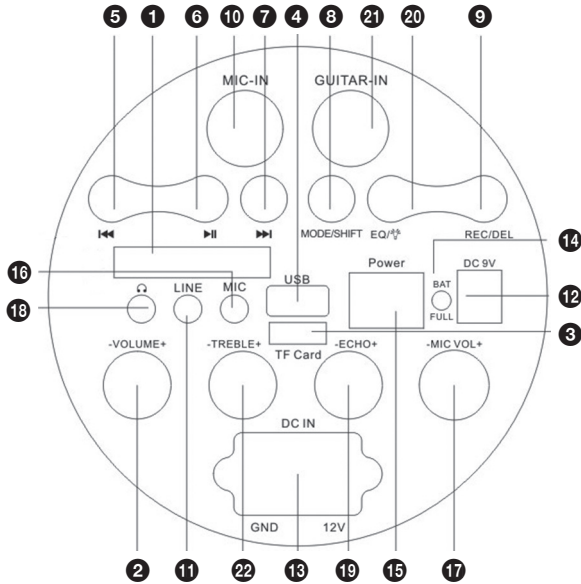
Po dokončení údržby požiadajte servisného technika o vykonanie bezpečnostnej kontroly na mieste, aby ste mali istotu, že prístroj funguje bezpečne.

**Poznámka:**

Pred použitím tohto výrobku si pozorne preštudujte tieto pokyny a starostlivo ich uchovajte na budúce použitie.

# Popis zariadenia

## Pohľad zhora



- 1 LED displej
- 2 VOLUME (hlasitosť)
- 3 Slot TF karty
- 4 Konektor USB
- 5 ◀◀ PREVIOUS (predchádzajúci)
- 6 ▶▶ Tlačidlo PLAY/PAUSE (prehrávanie/pauza)
- 7 ▶▶ NEXT (ďalší)
- 8 Mode/SHIFT (režim/ZMENA)
- 9 REC/DEL: Záznam/zmazať
- 10 MIC-IN: Konektor mikrofónu 6,3 mm
- 11 LINE: Linkový vstup 3,5 mm
- 12 DC 9 V: zásuvka dobíjania
- 13 DC IN: 12 V zásuvka dobíjania
- 14 Indikátor dobíjania
- 15 Power (napájanie): vypínač: „—“ – ON (zapnuté); „O“ – OFF (vypnuté).
- 16 MIC (mikrofón): headphone/MIC (slúchadlá/mikrofón) 3,5 mm
- 17 MIC VOL: gombík hlasitosti mikrofónu
- 18 Konektor na slúchadlá
- 19 ECHO: Gombík regulácie ozveny mikrofónu
- 20 EQ/🎸 Prepínanie prostredia
- 21 GUITAR-IN: Konektor elektrickej gitary 6,3 mm
- 22 TREBLE (výšky)

# Začíname

## ZDROJ NAPÁJANIA

Toto zariadenie používa dobíjajúcu Li-ion batériu (kapacita batérie je 1 800 mAh). Zariadenie nechajte úplne nabiť (asi 3 hodiny), než ho použijete prvýkrát. Čas prehrávania je približne 5 hodín pri plnom nabití. Pripojením napájacieho adaptéra sa spustí nabíjanie batérie, počas nabíjania bude svietiť červený LED indikátor. Po úplnom nabití batérie sa indikátor rozsvieti modro. Pri vybití batérie sa v pravom rohu displeja zobrazí symbol batérie.



### Upozornenie:

Nevymieňajte batériu, túto operáciu môže vykonávať iba vysokokvalifikovaný pracovník.

## Návod na obsluhu

### ZÁKLADNÉ FUNKCIE

#### ZAPNUTIE/VYPNUTIE ZARIADENIA

Stlačením vypínača prístroj zapnete alebo vypnete.

#### NASTAVENIE FUNKČNÉHO REŽIMU

Krátkym stlačením sa postupne prepína vstup TF karty/USB/LINE IN/FM/Bluetooth. Dlhým stlačením sa prepína medzi záznamovým priečinkom (priečinkom so súbormi zaznamenanými týmito zariadením) a priečinkom MP3.

#### ÚPRAVA HLASITOSTI/ÚROVNE OZVENY

1. Otáčaním gombíka **VOLUME** (hlasitosť) na zariadení sa zvyšuje alebo znižuje hlasitosť hudby.  
Dlhým stlačením tlačidla PREVIOUS/NEXT (predchádzajúci/ďalší) sa môže znížiť/zvýšiť hlasitosť hudby.
2. Otáčaním gombíka **MIC VOL** (hlasitosť mikrofónu) na zariadení sa zvyšuje alebo znižuje hlasitosť mikrofónu.
3. Otáčaním gombíka **ECHO** (ozvena) na zariadení sa zvyšuje alebo znižuje prejav ozveny mikrofónu alebo gitary.

#### FUNKCIA EKVALIZÉRA (EQ)

V stave čítania z USB alebo TF môžete stlačením **Environment Switching** vybrať typ prostredia (námestie, porada, domov, hala a súkromie). Dlhé stlačenie dovoľuje ovládať LED osvetlenie typu disko (zapnúť alebo vypnúť).

## POUŽÍVANIE RÁDIA

Počúvanie rozhlasových staníc v pásme FM. Opakovane stláčajte tlačidlo **MODE/SHIFT** (režim/zmena) na zariadení, až sa na displeji objaví FM a vysielacia frekvencia.

Poznámka: aby ste dosiahli čo najlepší príjem, vytiahnite najprv anténu na hornej strane prístroja v celej jej dĺžke.

### AUTOMATICKÉ ULOŽENIE STANÍC NA PREDVOĽBY

Ak chcete vyhľadať stanice v dosahu prístroja a automaticky ich uložiť do pamäte predvoľieb, v režime FM príjmu stlačte krátko tlačidlo **PLAY/PAUSE**. Odporúčame vykonať aspoň raz kompletne vyhľadanie staníc, než začnete funkciu príjmu rádia využívať. Všetky nájdené stanice zostanú v pamäti aj po vypnutí napájania.

Až zariadenie dokončí vyhľadávanie, automaticky naladí predvoľbu číslo 1 (P01).

### NALADENIE ROZHLASOVEJ STANICE

Naladenie stanice uloženej na predvoľbe:

- Ak budete chcieť prejsť na ďalšiu predvoľbu, stlačte tlačidlo **NEXT** (ďalší).
- Ak budete chcieť prejsť na ďalšiu predvoľbu, stlačte tlačidlo **NEXT** (ďalší).

## POUŽÍVANIE USB/ TF KARTY

1. Stlačením tlačidla **MODE/SHIFT** (režim/zmena) na zariadení vyberte režim „USB“ alebo „TF karta“. Pri zasúvaní do slotu držte TF kartu kontaktmi hore a zasuňte ju úplne do zariadenia, až začujete cvaknutie. Ak budete chcieť TF kartu vysunúť zo zariadenia, stlačte jej okraj nechom alebo nejakým tupým predmetom a karta vyskočí.
2. USB pamäť alebo TF kartu vložte do zodpovedajúceho portu. Prehrávanie sa automaticky spustí od skladby 1.
3. Prehrávanie pozastavíte stlačením tlačidla **PLAY/PAUSE** (prehrávanie/pauza). Prehrávanie obnovíte opätovným stlačením tlačidla **PLAY/PAUSE** (prehrávanie/pauza).
4. Dlhé stlačenie dovolí zvoliť jeden zo spôsobov poradia prehrávania (ALL – prehrá postupne všetky skladby; FOLDER „FOd“ – bude opakovane prehrávať skladby v priečinku; ONE – bude opakovať jednu skladbu; RANDOM „rdO“ – prehrá skladby v náhodnom poradí).
5. Ak si budete chcieť vybrať určitú skladbu, stlačte opakovane a krátko tlačidlo **PREVIOUS/NEXT** (predchádzajúci/ďalší) v priebehu prehrávania, až sa požadovaná skladba objaví na displeji. Zariadenie začne s prehrávaním automaticky.



#### Dôležité:

Port USB je určený iba na prenos dát, iné zariadenia nesmiete do tohto portu pripájať. Použitie USB predžvovacích káblov sa neodporúča. Neodpájajte USB pamäťové zariadenie, keď z neho prebieha prehrávanie, alebo keď sa načíta.



**Pozor:**

S ohľadom na množstvo zariadení na trhu nie je garantovaná kompatibilita a podpora prehrávania pre všetky médiá. Pamäťové zariadenia, ktoré chcete pripojiť, by ste mali vopred otestovať alebo sformátovať súborovým formátom FAT32. Prehrávanie chránených médií, súborov alebo obsahu sa nemusí podariť. Prehrávanie otestovaných a nechránených médií a obsahu.

**Poznámka:**

Médiá s väčšou spotrebou energie než má pamäť typu flash, by ste mali pripojiť iba v prípade, že majú svoj vlastný zdroj napájania.

## NAHRÁVANIE

Nahrávanie je k dispozícii v režime AUX a FM.

Krátko stlačte tlačidlo REC/DEL, aby sa spustilo nahrávanie (USB/TF pamäť musí byť už pred tým pripojená k prístroju), ďalšie krátke stlačenie záznam zastaví. Počas nahrávania je potrebné ozvenu (ECHO) nastaviť na minimum. Dlhé stlačenie tlačidla REC/DEL vymaže súbor nahrávky.

Zaznamenaný zvuk sa uloží do priečinka RECORD vo formáte WAV.

**Pozor:**

Pri nahrávaní v režime LINE IN si nastavte preferovanú hlasitosť vstupného signálu.

Pri nahrávaní v režime FM príjmu dajte zariadenie na miesto s najlepšimi podmienkami príjmu, aby ste dosiahli kvalitnú nahrávku.

Pri nahrávaní z externého mikrofónu stiahnite gombík ECHO (ozvena) na minimum. Venujte pozornosť tomu, aby bol mikrofón dostatočne ďaleko od reproduktora, inak by sa mohlo prejavíť hučanie zo spätnej väzby.

**Poznámka:**

Dostupný čas záznamu je závislý od kapacity pamäťového zariadenia. Všetky nahrávky budú mať zhodný dátum a čas zhotovenia (zariadenie neumožňuje zadávať dátum a čas).

## POUŽÍVÁNIE BLUETOOTH

1. Stlačením tlačidla **MODE/SHIFT** (režim/zmena) na zariadení prepnete na funkciu BLUETOOTH. Na LCD displeji sa zobrazí blikajúce hlásenie „**BLUE**“ (pripravené na spárovanie zariadení).
2. Zapnite funkciu Bluetooth na zariadení, vyhľadajte jednotku „**SSS3200**“ a pripojte, ak budete požiadaní o heslo, zadajte 0000. Na LCD displeji sa zobrazí stavové hlásenie „**BLUE**“ (zariadenia sa úspešne spárovali).
3. Stlačením tlačidla **PLAY** spustíte prehrávanie.
4. Prídržaním stlačeného tlačidla **PLAY/PAUSE** Bluetooth odpojte.

### Poznámka:

Funkcia Bluetooth funguje najlepšie v dosahu 10 metrov pri priamej viditeľnosti.



### Pozor:

Niektoré pripojené zariadenia podporujú jednotné nastavenie hlasitosti. Ak niektoré z pripojených zariadení túto funkciu nepodporuje, nastavenie hlasitosti bude fungovať na oboch zariadeniach samostatne.

## POUŽÍVÁNIE LINKOVÉHO VSTUPU

1. Stlačením tlačidla **MODE/SHIFT** (režim/zmena) na zariadení vyberte režim „**LINE**“.
2. Svoje audio zariadenie pripojte do konektora **LINE IN**.
3. Prehrávanie ovládajte z audio zariadenia.
4. V režime **LINE IN** môžete krátkym stlačením tlačidla **PLAY/PAUSE** prehrávanie stlmiť a ďalším stlačením obnoviť pôvodnú hlasitosť.

## POUŽITIE ZÁSUVKY PRE MIKROFÓN/ GITARU

Vstup pre mikrofón je k dispozícii vo všetkých režimoch.

1. Mikrofón pripojte do 6,3 mm konektora **MIC-IN** alebo do 3,5 mm konektora **MIC**. Gitaru pripojte do 6,3 mm konektora **GUITAR-IN**. Zelený indikátor v blízkosti oznámenia „**BAT FULL**“ oznamuje, že je k zariadeniu pripojený mikrofón alebo gitara.
2. Otáčaním gombíka **MIC VOL** (hlasitosť mikrofónu) na zariadení sa zvyšuje alebo znižuje hlasitosť mikrofónu alebo gitary.

### Poznámka:

Keď budete k zariadeniu pripájať gitaru, stiahnite gombík **TREBLE** (výšky) na minimum.

# Technické údaje

## VŠEOBECNÉ

Požiadavky na napájanie	100 – 240 V~ 60/50 Hz
Príkon	33 W
Výstupný výkon	30 W
Frekvencia FM	87,5 – 108 MHz
Konektor AUX IN	3,5 mm
Konektor mikrofónu	6,3 mm
Teplota okolia	5 – 40 °C

## Bluetooth

Systém komunikácie	Bluetooth Štandard verzia 5.0 + EDR
Dosah príjmu	10 metrov (pri priamej viditeľnosti)
Kompatibilné Bluetooth profily	Advanced Audio Distribution Profile (A2DP)

## PRÍSLUŠENSTVO

Návod na obsluhu .....	1
Sieťový napájací kábel .....	1
Káblový mikrofón .....	1

### Poznámka:

Technické údaje sa môžu z dôvodu neustáleho vylepšovania zmeniť bez predchádzajúceho upozornenia.

## POKYNY A INFORMÁCIE K LIKVIDÁCII VYRADENÝCH OBALOVÝCH MATERIÁLOV

Obalový materiál odovzdajte na likvidáciu do zberného dvora.

## LIKVIDÁCIA VYRADENÝCH ELEKTRICKÝCH A ELEKTRONICKÝCH ZARIADENÍ



Tento symbol umiestnený na produkte, príslušenstve alebo obale upozorňuje na to, že sa s produktom nesmie zaobchádzať ako s bežným domovým odpadom. Zlikvidujte, prosím, tento produkt v zbernom dvore určenom na recykláciu elektrických a elektronických zariadení. V niektorých štátoch Európskej únie alebo v niektorých európskych krajinách môžete pri nákupe ekvivalentného nového produktu vrátiť vaše produkty miestnemu predajcovi. Riadnou likvidáciou tohto produktu pomáhate chrániť cenné prírodné zdroje a predchádzať možným negatívnym dopadom na životné prostredie a ľudské zdravie, ku ktorým by mohlo dôjsť v dôsledku nesprávnej likvidácie odpadu. Ďalšie podrobnosti vám poskytnú miestne úrady alebo najbližší zberný dvor na likvidáciu odpadu. Nesprávna likvidácia tohto typu odpadu môže byť predmetom udelenia pokuty zo zákona.

### Pre firmy v Európskej únii

Ak potrebujete zlikvidovať elektrické alebo elektronické zariadenie, požiadajte svojho predajcu alebo dodávateľa o nevyhnutné informácie.

### Likvidácia v krajinách mimo Európskej únie

Ak chcete tento produkt zlikvidovať, požiadajte o nevyhnutné informácie o správnom spôsobe likvidácie ministerstvo alebo vášho predajcu.



Výrobok spĺňa požiadavky EÚ.

FAST ČR, a.s. týmto vyhlasuje, že rádiové zariadenie typu SSS 3200 KIDS je v súlade so smernicou 2014/53/EÚ. Úplné znenie EÚ vyhlásenia o zhode je k dispozícii na tejto internetovej adrese: [www.sencor.eu](http://www.sencor.eu)

Text, dizajn a technické údaje sa môžu zmeniť bez predchádzajúceho upozornenia a vyhradujeme si právo vykonávať zmeny.

Originálna verzia je v českom jazyku.

Adresa výrobcu: FAST ČR, a. s., U Sanitasu 1621, Říčany CZ-251 01

# SENCOR®

## SK Záručné podmienky

### Záručný list nie je súčasťou balenia zariadenia.

Predávajúci poskytuje kupujúcemu na výrobok 24 mesiacov záruku od jeho prevzatia kupujúcim. Záruka sa poskytuje ďalej za nižšie uvedených podmienok. Záruka sa vzťahuje iba na spotrebný tovar predaný spotrebiteľovi na bežné domáce použitie. Práva zo zodpovednosti za chyby (reklamácie) môže kupujúci uplatniť buď u predávajúceho, u ktorého bol výrobok zakúpený alebo v nižšie uvedenom autorizovanom servise. Kupujúci je povinný reklamáciu uplatniť bez zbytočného odkladu, aby nedochádzalo ku zhoršeniu chyby, najneskôr však do konca záručnej doby. Kupujúci je povinný pri reklamácií spolupracovať pri overení existencie reklamovanej chyby. Do reklamačného procesu sa prijíma iba kompletný a z dôvodu dodržania hygienických predpisov neznečistený výrobok. V prípade oprávnenej reklamácie sa záručná doba predlžuje o dobu od okamžiku uplatnenia reklamácie do okamžiku prevzatia opraveného výrobku kupujúcim, kedy je kupujúci po skončení opravy povinný výrobok prevziať. Kupujúci je povinný preukázať svoje práva reklamovať (doklad o zakúpení výrobku, záručný list, doklad o uvedení výrobku do prevádzky).

#### Záruka sa nevzťahuje na:

- chyby, na ktoré boli poskytnuté zľavy;
- opotrebenia a poškodenia vzniknuté bežným užívaním výrobku;
- poškodenie výrobku v dôsledku neodbornej či nesprávnej inštalácie, použitie výrobku v rozpore s návodom na použitie s platnými právnymi predpismi a všeobecne známymi a obvyklými spôsobmi používania, v dôsledku použitia výrobku za iným účelom, než na ktorý je určený;
- poškodenie výrobku v dôsledku zanedbanej alebo nesprávnej údržby;
- poškodenie výrobku spôsobené jeho znečistením, nehodou a zásahom vyššej moci (živelná udalosť, požiar, vniknutie vody);
- chyby funkčnosti výrobku spôsobené nevhodnou kvalitou signálu, rušivým elektromagnetickým poľom a pod.;
- mechanické poškodenie výrobku (napr. zlomenie gombíka, pád);
- poškodenie spôsobené použitím nevhodných médií, náplní, spotrebného materiálu (batérie) alebo nevhodnými prevádzkovými podmienkami (napr. vysoké teploty v okolí, vysoká vlhkosť prostredia, otrasy);
- poškodenie, úpravu alebo iný zásah do výrobku spôsobený neoprávnenou alebo neautorizovanou osobou (servisom) prípadly, keď kupujúci pri reklamácií nepreukáže oprávnenosť svojich práv (kedy a kde reklamovaný výrobok zakúpil);
- prípady, keď sa údaje v predložených dokladoch líšia od údajov uvedených na výrobku;
- prípady, keď reklamovaný výrobok sa nestotožňuje s výrobkom uvedeným v dokladoch, ktorými kupujúci preukazuje svoje práva reklamovať (napr. poškodenie výrobného čísla alebo záručnej plomby prístroja, prepísované údaje v dokladoch).

#### Gestor servisu na SK:

**FAST PLUS, Na Pántoch 18, 831 06 Bratislava; tel: 02 49 1058 53-54**

Viac informácií nájdete na [www.sencor.sk](http://www.sencor.sk)

## Poznámka

# Tartalom

Biztonsági utasítások .....	2
A készülék leírása .....	4
Felülnézet.....	4
Az első lépések .....	5
TÁPFORRÁS .....	5
Használati útmutató.....	5
ALAPMŰVELETEK .....	5
A RÁDIÓ HASZNÁLATA.....	6
AZ USB / TF-KÁRTYA HASZNÁLATA .....	6
FELVÉTEL .....	7
A BLUETOOTH HASZNÁLATA.....	8
A VONALBEMENET HASZNÁLATA.....	8
A MIKROFON / GITÁR CSATLAKOZÓ HASZNÁLATA.....	9
Műszaki adatok .....	9
ÁLTALÁNOS.....	9
A HASZNÁLT CSOMAGOLÓANYAGOKRA VONATKOZÓ MEGSEMISÍTÉSI UTASÍTÁSOK ÉS TÁJÉKOZTATÓ.....	10
HASZNÁLT ELEKTROMOS ÉS ELEKTRONIKUS BERENDEZÉSEK MEGSEMISÍTÉSE.....	10

## Biztonsági utasítások

Ezt a terméket a biztonság maximális figyelembe vételével tervezték.

Helytelen üzemeltetése azonban áramütést vagy tüzet okozhat. A készülék használojának ezért be kell tartania a következő utasításokat.

Ez a készülék félvezető egységet használ, és nem tartalmaz a felhasználó által javítható alkatrészeket. Ne szedje szét a készüléket, mert áramütés kockázatának teszi ki magát. Meghibásodás esetén a termék javítását bízza szakképzett szerviztechnikusra.

### Tápforrás

A készülék tápellátását biztosító forrásnak meg kell felelnie a típuscímkén található adatoknak.

### Hőforrások

Óvja a készüléket a hőforrásoktól, mint pl. kályha vagy közvetlen napsugárzás.

### Tisztítás

Tisztítás előtt húzza ki a tápkábelt a hálózatról. A tisztításhoz ne használjon folyékony tisztítószereket vagy maró hatású folyadékokat – a készüléket csak egy puha ronggyal tisztítsa.

### Nehéz tárgyak

Ne helyezzen a készülékre nehéz tárgyakat, mert megsérülhet.

### Külső készülékek csatlakoztatása

Külső készülék csatlakoztatása előtt húzza ki a tápkábelt a hálózatról. Ellenkező esetben a megsérülhet a készülék, vagy személyi sérülés történhet.

### Javítást igénylő meghibásodások

Ha az alábbi problémák valamelyike áll fenn, húzza ki a készülék tápkábelét, és forduljon szakképzett szerviztechnikushoz.

- A tápkábel vagy a csatlakozódugó megsérült.
- A készülékbe folyadék vagy idegen tárgy került.
- Ha a készülék nem működik, pedig az útmutató szerint kezeli, csak azokat a kezelőgombokat nyomja meg, amelyekről említés esik ebben az útmutatóban. Ellenkező esetben a készülék megsérülhet, ami a javítási költségek növekedésével jár.
- A készülék nagy magasságból leesett.
- A készülékből égett szag érezhető.

### Karbantartás

Ha nem rendelkezik a készülék karbantartásához szükséges ismeretekkel, ne próbálja maga megjavítani. A készülék burkolatának felnyitása esetén áramütés veszélye fenyeget. Szükség esetén vegye fel a kapcsolatot egy szakszervizzel.



**Alkatrészek cseréje**

Ha a készülék bármelyik alkatrészét cserélni kell, kérje meg a szerviztechnikust, hogy azonos modellhez tartozó pótalkatrészre cserélje. Ha más pótalkatrész-modellt használnak, áramütés történhet, vagy csökkenhet a készülék élettartama.

**A biztonság ellenőrzése**

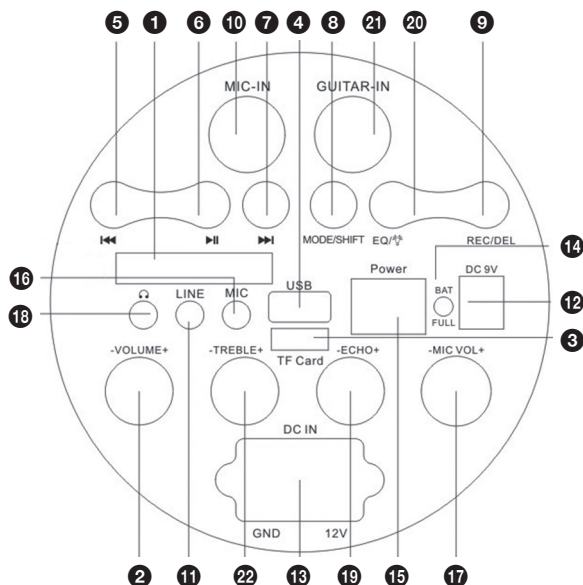
A karbantartás és javítás után kérje meg a szakszervizt, hogy a helyszínen végezzen biztonsági ellenőrzést, hogy biztos lehessen a készülék biztonságos működésében.

**Megjegyzés:**

A termék használata előtt alaposan tanulmányozza át ezt az útmutatót, és gondosan őrizze meg későbbi használatra.

# A készülék leírása

## Felülnézet



- 1 LED-es kijelző
- 2 VOLUME (hangerő)
- 3 TF-kártyanyílás
- 4 USB csatlakozó
- 5 ◀◀ PREVIOUS (előző)
- 6 ▶▶ PLAY/PAUSE (lejátszás/szünet) gomb
- 7 ▶▶ NEXT (következő)
- 8 Mode/SHIFT (üzemmód/VÁLTOZTATÁS)
- 9 REC/DEL: Felvétel/törlés
- 10 MIC-IN: 6,3 mm mikrofon csatlakozó
- 11 LINE: 3,5 mm vonalbemenet
- 12 DC 9V: töltéscsatlakozó
- 13 DC IN: 12V töltéscsatlakozó
- 14 Töltésjelző
- 15 Power (tápellátás): kapcsoló:  
„—” – ON (bekapcsolva);  
„○” – OFF (kikapcsolva).
- 16 MIC (mikrofon): headphone/MIC (fülhallgató/mikrofon) 3,5 mm
- 17 MIC VOL:  
a mikrofon hangerőgombja
- 18 Fülhallgató-csatlakozó
- 19 ECHO: A mikrofon visszhangjának szabályozója
- 20 EQ/🌿 Környezet kapcsoló
- 21 GUITAR-IN:  
Elektromos gitár 6,3 mm csatlakozója
- 22 TREBLE (magashang)

# Az első lépések

## TÁPFORRÁS

Ez a készülék tölthető Li-ion használ (az akkumulátor kapacitása 1800 mAh). Az első használat előtt teljesen töltsse fel a készüléket (kb. 3 órán keresztül). A lejátszási idő teljesen feltöltött állapotban kb. 5 óra. A tápadapter csatlakoztatásával elindul az akkumulátor töltése, töltés közben világít a piros LED-es jelzőfény. Az elem teljes feltöltése után a jelző kéken világít. Ha lemerül az akkumulátor, a kijelző jobb sarkában megjelenik az elem ikonja.



### Figyelmeztetés:

Ne cserélje ki az akkumulátort, ezt a műveletet csak magasan képzett szakember tudja végrehajtani.

## Használati útmutató

### ALAPMŰVELETEK

#### A KÉSZÜLÉK BEKAPCSOLÁSA/KIKAPCSOLÁSA

A készüléket a kapcsoló megnyomásával kapcsolhatja be vagy ki.

#### A FUNKCIÓ BEÁLLÍTÁSA

Rövid gombnyomásra egymás után válthat a TF-kártya / USB / LINE IN / FM / Bluetooth bemenetek között. Hosszú megnyomásával átkapcsolhat a felvételi mappa (a készülék által felvett állományokat tartalmazó mappa) és az MP3 mappa között.

#### A HANGERŐ / VISSZHANG MÓDOSÍTÁSA

1. A készülék **VOLUME** (hangerő) gombjának elforgatásával növelheti vagy csökkentheti a zene hangerejét.  
A PREVIOUS / NEXT (előző/következő) gomb hosszú megnyomásával csökkentheti/növelheti a zene hangerejét.
2. A készülék **MIC VOL** (a mikrofon hangereje) gombjának elforgatásával növelheti vagy csökkentheti a mikrofon hangerejét.
3. A készülék **ECHO** (visszhang) gombjának elforgatásával növelheti vagy csökkentheti a mikrofon vagy a gitár visszhangját.

#### HANGSZÍNSZABÁLYZÓ (EQ) FUNKCIÓ

USB-ről vagy TF-ről történő olvasáskor az **Environment Switching** gomb megnyomásával kiválaszthatja a környezet típusát (tér, értekezlet, otthon, csarnok és magán). Hosszú megnyomással vezérelheti (bekapcsolhatja vagy kikapcsolhatja) a disco típusú LED-es világítást.

## A RÁDIÓ HASZNÁLATA

Rádióadók hallgatása FM sávban. Nyomogassa a készülék **MODE/SHIFT** (üzemmód/változtatás) gombját, amíg a kijelzőn megjelenik az FM felirat és a sugárzási frekvencia. Megjegyzés: a lehető legjobb vétel biztosítása érdekében előbb húzza ki teljes hosszában a készülék felső részén levő antennát.

### CSATORNA AUTOMATIKUS ELMENTÉSE EGY PROGRAMHELYRE

Ha meg akarja keresni és el akarja menteni a készülék hatótávolságában levő csatornákat, FM vétel üzemmódban nyomja meg röviden a **PLAY/PAUSE** gombot. Javasoljuk, hogy legalább egyszer végezze el az csatornák teljeskörű keresését, mielőtt a rádió vételi funkcióját használni kezdi.

A készülék valamennyi talált csatornát megőrzi a memóriájában a tápellátás kikapcsolása után is.

Amint a készülék befejezte a keresést, automatikusan behangolja az 1. sz. programhelyet (PO1).

### RÁDIÓCSATORNA BEHANGOLÁSA

A programhelyre elmentett csatorna behangolása:

- Ha a következő programhelyre szeretne kapcsolni, nyomja meg a **NEXT** (következő) gombot.
- Ha a következő programhelyre szeretne kapcsolni, nyomja meg a **NEXT** (következő) gombot.

## AZ USB / TF-KÁRTYA HASZNÁLATA

1. A készülék **MODE/SHIFT** (üzemmód/változtatás) gombjának megnyomásával válassza ki az „USB” vagy a „TF-kártya” üzemmódot. A TF-kártyát behelyezéskor úgy tartsa, hogy az érintkezők felfelé nézzenek, és teljesen dugja be a készülékbe, amíg kattantást nem hall. Ha ki szeretné venni a TF-kártyát a készülékből, nyomja meg a peremét a körmével vagy valamilyen tompa tárggyal, és a kártya kiugrik.
2. Az USB-memóriát vagy a TF-kártyát helyezze be a megfelelő portba. A lejátszás automatikusan elindul az 1. zeneszámtól.
3. A lejátszást a **PLAY/PAUSE** (lejátszás/szünet) gombbal szakíthatja meg. A **PLAY/PAUSE** (lejátszás/szünet) gomb újabb lenyomásával újraindíthatja a lejátszást.
4. A hosszú lenyomás lehetővé teszi a lejátszás sorrendjének kiválasztását (ALL – egymás után lejátszza az összes zeneszámot; FOLDER „FOd” – a mappában levő számokat ismételteti; ONE – egy zeneszámot ismételt; RANDOM „rdO” – véletlenszerű sorrendben játssza le a zeneszámokat).
5. Ha egy konkrét zeneszámot szeretne kiválasztani, nyomogassa röviden a **PREVIOUS/NEXT** (előző/következő) gombot, amíg a kívánt szám meg nem jelenik a kijelzőn. A készülék automatikusan megkezdi a lejátszást.

**Fontos:**

Az USB port csak adatátvitelre szolgál, más készüléket nem szabad csatlakoztatni hozzá. USB hosszabbító kábel használata nem ajánlott. Ne távolítsa el az USB-memóriaeszközt, ha éppen lejátszás vagy beolvasás folyik róla.

**Figyelem:**

Tekintettel a piacon található készülékek mennyiségére nem garantálható minden média lejátszásának kompatibilitása és támogatása. A csatlakoztatni kívánt memóriaeszközt érdemes előbb tesztelni, vagy FAT32 formátumra formázni. A védett médiát, állományokat vagy tartalmat nem feltétlenül sikerül lejátszani. Tesztelt és nem védett média és tartalom lejátszása.

**Megjegyzés:**

Egy pendrive-nál nagyobb energiaigényű eszközt csak akkor csatlakoztasson, ha saját energiaforrása van.

## FELVÉTEL

A felvétel AUX és FM üzemmódban lehetséges.

Nyomja meg röviden a REC/DEL gombot, hogy elinduljon a felvétel (előzőleg csatlakoztatni kell a készülékhez az USB/TF memóriát), az újabb rövid gombnyomás leállítja a felvételt. Felvétel közben a visszhangot (ECHO) a minimumra kell állítani.

A REC/DEL gomb hosszú lenyomása törli a felvett állományt.

A felvett hang WAV formátumban kerül elmentésre a RECORD mappába.

**Figyelem:**

LINE IN üzemmódban történő felvétel esetén állítsa be a bemenő jel kívánt hangerejét.

FM üzemmódban történő felvétel esetén olyan helyre tegye a készüléket, ahol a legjobb a vétel, hogy a felvétel jó minőségű legyen.

Külső mikrofonról történő felvétel esetén az ECHO (visszhang) gombot állítsa a minimumra. Ügyeljen rá, hogy a mikrofon elég messze legyen a hangszórótól, mert különben visszacsatolásként bűgös jelentkezhet.

**Megjegyzés:**

A felvétel elérhető időtartama a memóriaeszköz kapacitásától függ. Valamennyi felvételen azonos lesz a létrehozás dátuma és időpontja (a készülék nem teszi lehetővé a dátum és az idő megadását).

**A BLUETOOTH HASZNÁLATA**

1. A készülék **MODE/SHIFT** (üzemmód/változtatás) gombjának megnyomásával kapcsoljon „BLUETOOTH” üzemmódra. Az LCD-kijelzőn megjelenik a villogó „**BLUE**” felirat (felkészült a készülék párosítására).
2. Kapcsolja be a Bluetooth-t a készüléken, keresse meg a „**SSS3200**” egységet, és csatlakoztassa. Szükség esetén adja meg a 0000 jelszót. Az LCD-kijelzőn megjelenik a „BLUE” állapotjelzés (a készülék párosítása sikeres volt).
3. A **PLAY** gomb megnyomásával indítsa el a lejátszást.
4. A **PLAY/PAUSE** gomb nyomva tartásával leválaszthatja a Bluetooth-t.

**Megjegyzés:**

A Bluetooth funkció legjobban 10 méteren belül működik, közvetlen láthatóság mellett.

**Figyelem:**

Néhány csatlakoztatott készülék támogatja az egységes hangerőszabályozást. Ha valamelyik csatlakoztatott készülék ezt a funkciót nem támogatja, a hangerőszabályozás mindkét készüléken önállóan működik.

**A VONALBEMENET HASZNÁLATA**

1. A készülék **MODE/SHIFT** (üzemmód/változtatás) gombjának megnyomásával válassza ki a „LINE” üzemmódot.
2. Audio eszközt csatlakoztassa a LINE IN csatlakozóba.
3. A lejátszást a csatlakoztatott készülékről vezérelheti.
4. LINE IN üzemmódban a **PLAY/PAUSE** gomb rövid megnyomásával elnémíthatja a lejátszást, az újabb megnyomással visszaállíthatja az eredeti hangerőt.

## A MIKROFON / GITÁR CSATLAKOZÓ HASZNÁLATA

A mikrofonbemenet minden üzemmódban rendelkezésre áll.

1. A mikrofont csatlakoztassa a 6,3 mm **MIC-IN** vagy a 3,5 mm **MIC** csatlakozóba. A gitárt a 6,3 mm **GUITAR-IN** csatlakozóba dugja be. A „BAT FULL” felirat közelében levő zöld jelzőfény azt mutatja, hogy a készülékhez mikrofont vagy gitárt csatlakoztattak.
2. A készülék **MIC VOL** (a mikrofon hangereje) gombjának elforgatásával növelheti vagy csökkentheti a mikrofon vagy a gitár hangerejét.

### Megjegyzés:

Ha a készülékhez gitárt csatlakoztat, a TREBLE (magashang) gombot húzza le a minimumra.

## Műszaki adatok

### ÁLTALÁNOS

Tápellátási követelmények	100–240 V~ 60/50 Hz
Bemenő teljesítmény	33 W
Kimeneti teljesítmény	30 W
FM frekvencia	87,5–108 MHz
AUX-IN csatlakozó	3,5 mm
Mikrofon csatlakozó	6,3 mm
Környezeti hőmérséklet	5 – 40 °C

### Bluetooth

Kommunikációs rendszer	Bluetooth Standard verzió 5.0+EDR
Hatótávolság	10 méter (közvetlen láthatóság esetén)
Kompatibilis Bluetooth profilok	Advanced Audio Distribution Profile (A2DP)

### TARTOZÉKOK

Használati útmutató.....	1
Hálózati tápkábel.....	1
Vezetékes mikrofon.....	1

### Megjegyzés:

A műszaki adatok a folyamatos fejlesztés miatt előzetes figyelmeztetés nélkül változhatnak.

## A HASZNÁLT CSOMAGOLÓANYAGOKRA VONATKOZÓ MEGSEMISÍTÉSI UTASÍTÁSOK ÉS TÁJÉKOZTATÓ

A csomagolóanyagokat hulladékgyűjtő helyen adja le.

### HASZNÁLT ELEKTROMOS ÉS ELEKTRONIKUS BERENDEZÉSEK MEGSEMISÍTÉSE



Ez a jel a készüléken, annak tartozékain vagy csomagolásán azt jelöli, hogy a terméket nem szabad a többi háztartási hulladékkal azonos módon kezelni. Kérjük, hogy a terméket adja le elektromos és elektronikus berendezéseket újrahasznosító gyűjtőtelepen. Az Európai Unió egyes országában vagy más európai országokban a termékek az eladóhelyen azonos új termék vásárlásánál visszaválthatóak lehetnek. A termék megfelelő módon történő megsemmisítésével segít megőrizni az értékes természeti erőforrásokat, és hozzájárul a nem megfelelő hulladék-megsemmisítés által okozott esetleges negatív környezeti és egészségügyi hatások megelőzéséhez. További részletekért forduljon a helyi önkormányzathoz vagy a legközelebbi hulladék-megsemmisítő gyűjtőtelephez. Ezen típusú hulladék helytelen megsemmisítése bírság kiszabását vonhatja maga után.

#### Az Európai unióban működő vállalatok számára

Ha elektromos vagy elektronikus terméket akar megsemmisíteni, kérje ki az eladójától vagy forgalmazójától a szükséges információkat.

#### Megsemmisítés Európai Unión kívüli országban

Ha meg akarja semmisíteni ezt a terméket, a megfelelő megsemmisítésre vonatkozó információkért forduljon a minisztériumhoz vagy termék eladójához.



A termék megfelel az EU követelményeinek.

FAST ČR, a.s. igazolja, hogy a SSS 3200 KIDS típusú rádióberendezés megfelel a 2014/53/EU irányelvnek. Az EU-megfelelőségi nyilatkozat teljes szövege elérhető a következő internetes címen: [www.sencor.eu](http://www.sencor.eu)

A szövegben, kivételben és műszaki jellemzőkben előzetes figyelmeztetés nélkül változtatások történhetnek, és a változtatások jogát fenntartjuk.

Az eredeti verzió cseh nyelvű.

A gyártó címe: FAST ČR, a.s., U Sanitasu 1621, Říčany CZ-251 01





## Jótállási jegy

1. A termék *gyártója*: **FAST ČR, a.s.** (U Sanitasu 1621, 25101 Říčany, Cseh Köztársaság)
2. A **FAST Hungary Kft.** (2310 Szigetszentmiklós, Kántor út 10.) mint a termék *magyarországi importőre* a jótállási jegyen feltüntetett típusú és gyártási számú készülékre jótállást biztosít a **fogyasztók számára** az alábbi feltételek szerint:
3. A FAST Hungary Kft. a termékre a fogyasztó részére történő átadástól (vásárlástól), illetve ha az üzembe helyezést a terméket értékesítő vállalkozás vagy annak megbízottja végzi, az üzembe helyezéstől számított **24 hónapig, míg 250.001,- Ft eladási ártól 36 hónapig** tartó időtartamra **vállal** jótállást. Ha a terméket a fogyasztó az átadástól számított fél éven belül helyezeti üzembe, akkor a jótállási határidő a termék átadásától kezdődik. A termék **alkotórészeire és tartozékaira** (pl. akkumulátor) az általunk vállalt jótállási idő **12 hónap, azzal, hogy az elemekre az általunk vállalt jótállás nem terjed ki**. Minden olyan termékünk (illetve annak alkotórésze vagy tartozéka), amely szerepel az egyes tartós fogyasztási cikkekre vonatkozó kötelező jótállásról szóló 151/2003. (IX.22.) Korm. rendelet (**Rendelet**) 1. sz. mellékletében és vételára a bruttó **10.000,- Ft-ot** eléri, tartós fogyasztási cikknek minősül, és mint ilyen, **kötelező jótállás** hatálya alá **is** tartozik (a termék áráról függően 100.000,- Ft-ig 1 évig, 100.001,- Ft - 250.000,- Ft között 2 évig, illetve 250.001,- Ft-tól 3 évig tart a kötelező jótállás). Az általunk vállalt jótállás a 10.000,- Ft vételár alatti vagy a Rendeletben nem szereplő egyéb termékek esetén a teljes 24 hónap tekintetében, míg a Rendeletben szereplő 10.000,- Ft vételár elerő és 100.000,- Ft vételárat meg nem haladó termékek esetén a 13-24 hónap közti időtartamra önként vállalt jótállás. Önként vállalt jótállás továbbá a termékek alkotórészeire és tartozékaira vonatkozó jótállás, ha a Rendeletben szereplő termékek alkotórészeinek vagy tartozékának vételára a bruttó 10.000,- Ft-os vételárat nem éri el, továbbá ha a termék maga a Rendeletben nem szerepel.
4. A jótállási igény (alábbi 6.(i) és 6.(ii) pontok) a jótállási jeggyel, az átadástól (ha releváns az üzembe helyezéstől) számított **(i)** 1 évig - 100.000,- Ft eladási árat meg nem haladó termék esetén; **(ii)** 2 évig - 250.000,- Ft eladási árat meg nem haladó termék esetén; **(iii)** 3 évig - 250.000,- Ft eladási árat meghaladó termék esetén a terméket **értékesítő vállalkozásnál, kijavítási igény** esetén annak **székhelyén**, vagy **bármely telephelyén, fióktelepén**, illetve **kijavítási és csere igény esetén a jótállási jegyen feltüntetett hivatalos szerviznél közvetlenül is érvényesíthető**. *Az előző (i) pont szerinti esetben, azaz 100.000,- Ft eladási árat meg nem haladó termékekre a kötelező jótállási időn felül további egy éves önkéntes jótállási idő esetén jótállási igényként a 13. hónaptól a 24. hónapig kizárólag csere és javítás* érvényesíthető, amely igényekkel Ön az *értékesítő vállalkozáshoz* vagy a *hivatalos szervizhez is fordulhat*.
5. A jótállási jegy szabálytalan kiállítása vagy a jótállási jegy fogyasztó rendelkezésére bocsátásának elmaradása a jótállás érvényességét nem érinti. Jótállási jegy hiányában a fogyasztói szerződés megkötését bizonyítottanak kell tekinteni, ha a fogyasztó bemutatja a termék ellenértékének megfizetését hitelt érdemlően igazoló bizonylatot. Mindezek érdekében kérjük tisztelt Vásárlóinkat, hogy **őrizzék meg a fizetési bizonylatot is**.
6. Hibás teljesítés, a jótállási időn belüli meghibásodás esetén a **fogyasztó - választása szerint - (i)** a hibás termék díjmentes **kijavítását vagy kicserélését** követelheti, *kivéve*, ha a választott igény teljesítése *lehetetlen*, vagy ha az a kötelezettnek másik jótállási igény teljesítésével összehasonlítva **aránytalan többletköltséget** eredményezne, figyelembe véve a szolgáltatott dolog hibátlan állapotban képviselt értékét, a szerződésszegés súlyát és a jótállási igény teljesítésével a fogyasztónak okozott érdeksérelmet; **vagy (ii)** a szerződésszegés súlyához igazodva megfelelő **árleszállítást** igényelhet, vagy **elállhat** a szerződéstől ha: a **kötelezett** a kijavítást vagy a kicserélést *nem vállalata*, vagy a termék szerződésszerűvé tételét a javítás vagy csere lehetetlen vagy aránytalan többletköltséget eredményező voltára hivatkozással *megtagadta*, vagy a körülményekből nyilvánvaló, hogy e kötelezettségének **megfelelő észszerű határidőn belül**, a **fogyasztó érdekeit kímélve** vagy a **fogyasztónak okozott jelentős érdeksérelmenélkül nem tud** eleget tenni, vagy **ismételten hiba merült fel**, annak **ellenére**, hogy a kötelezett megkísérelte a termék szerződésszerűvé tételét, vagy ha a fogyasztónak a **kijavításhoz vagy kicseréléshez** fűződő **érdeke megszűnt**, illetve ha a **teljesítés hibájának súlyossága indokolta** teszi az árleszállítást vagy az elállást. A fogyasztó akkor is jogosult a 6.(ii) alpont szerint megfelelő árleszállítást igényelni, illetve elállni a szerződéstől, ha a kötelezett bár elvégezte a kijavítást vagy a cserét, azonban ennek során részben vagy egészben nem teljesítette a kicserélt áru saját költségére történő visszavételének biztosítására vonatkozó kötelezettségét, valamint ha a hiba felismerhetővé válása előtt jellegének és céljának megfelelően üzembe helyezett áru esetén a kötelezett a hibás áru eltávolítására és a csereként szállított vagy javított áru üzembe helyezésére, vagy az eltávolítás, illetve üzembe helyezés költségeinek viselésére vonatkozó kötelezettségét nem teljesítette. *Jelentéktelen hiba miatt elállásnak nincs helye*. A fogyasztó elállási igénye esetén annak bizonyítására, hogy a hiba jelentéktelen, a vállalkozás

köteles. *A fogyasztó a választott jogáról másakra térhet át.* Az áttéréssel okozott költséget köteles a jótállási igény kötelezettjének megfizetni, kivéve, ha az áttérésre a jótállásra kötelezett adott okot, vagy az áttérés egyébként indokolt volt.

7. A fogyasztó jogosult a vételár még fennmaradó részét – a szerződésszegés súlyához igazodva – részben vagy egészben visszatartani mindaddig, amíg a vállalkozás nem tesz eleget a teljesítés szerződésszerűségével és a hibás teljesítéssel kapcsolatos kötelezettségeinek.

8. Amennyiben a hiba az áru egy meghatározott részét érinti, és annak tekintetében az elállási jog gyakorlásának feltételei fennállnak, a fogyasztó csak a hibás áru tekintetében állhat el a szerződéstől; azonban a hibás áruval együtt szerzett bármely egyéb áru vonatkozásában is elállhat akkor, ha a fogyasztótól nem várható el ésszerűen, hogy csak a szerződésnek megfelelő árukat tartsa meg. A fogyasztó az elállásra vonatkozó jogát az értékesítő vállalkozásnak címzett, a döntést kifejező jognyilatkozattal gyakorolhatja. Elállás esetén a fogyasztónak az értékesítő vállalkozás költségeire vissza kell szolgáltatnia a vállalkozás részére az érintett árut, az értékesítő vállalkozás pedig köteles haladéktalanul visszatéríteni a fogyasztó részére az érintett áru vonatkozásában teljesített vételárat, amint az árut vagy az áru visszaküldését alátámasztó igazolást átvette.

Árleszállítás esetén az árleszállítás akkor megfelelő (arányos), ha annak összege megegyezik a fogyasztónak a szerződésszerű teljesítés esetén járó, valamint a fogyasztó által ténylegesen kapott áru értékének különbözetével.

9. Kötelező jótállás esetén a vállalkozás a fogyasztó nála bejelentett jótállási igényéről jegyzőkönyvet köteles felvenni a fogyasztó és a vállalkozás közötti szerződés keretében eladott dolgokra vonatkozó szavatossági és jótállási igények intézésének eljárási szabályairól szóló jogszabály szerinti tartalommal.

10. Ha a kötelező jótállási időtartam alatt a termék *első alkalommal* történő javítása során *megállapítást* nyer, hogy a termék *nem javítható*, a *fogyasztó eltérő rendelkezése hiányában* a termék a megállapítást követő 8 napon belül *kicserélésre* kerül. Ha a termék *cseréjére nincs lehetőség*, a fogyasztó által bemutatott, a termék ellenértékének megfizetését igazoló bizonylaton feltüntetett *vételárat* nyolc napon belül kell a fogyasztó részére *visszatéríteni*.

11. Ha a kötelező jótállási időtartam alatt a termék *három alkalommal* történő *kijavítást követően ismét meghibásodik*, a *fogyasztó eltérő rendelkezése hiányában*, valamint ha a fogyasztó a vonatkozó jogszabályok szerint nem igényli a vételár arányos leszállítását, a termék 8 napon belül *kicserélésre* kerül. Ha a termék *kicserélésére nincs lehetőség*, a fogyasztó által bemutatott, a termék ellenértékének megfizetését igazoló bizonylaton feltüntetett *vételárat* nyolc napon belül kell a fogyasztó részére *visszatéríteni*.

12. Ha a kötelező jótállási idő alatt a termék *kijavítására a kijavítási igény közlésétől számított 30. napig nem kerül sor*, a *fogyasztó eltérő rendelkezése hiányában* a terméket a 30 napos határidő eredménytelen elteltét követő nyolc napon belül *cserélni* kell. Ha a termék *cseréjére nincs lehetőség*, a fogyasztó által bemutatott, a termék ellenértékének megfizetését igazoló bizonylaton feltüntetett *vételárat* a 30 napos kijavítási határidő eredménytelen elteltét követő nyolc napon belül kell a fogyasztó részére *visszatéríteni*.

13. A fogyasztó a hiba felfedezését követően kéredelem nélkül, legkésőbb a felfedezéstől számított 2 hónapon belül köteles a hibát közölni. A közlés késedelméből eredő kárért a jogosult (fogyasztó) felelős. A bejelentés kapcsán kérjük vegye figyelembe, hogy a **jótállási igény kizárólag a jótállási határidőben** (tehát a termék áráról függően 24 vagy 36 hónapig, illetve alkotórész, tartozék esetén 12 hónapig) **érvényesíthető!** **Mindazonáltal a kötelező jótállási határidő meghosszabbodik a javításra átadás napjától kezdve azzal az idővel, amely alatt a fogyasztó a terméket a hiba miatt rendeltetészerűen nem használhatta.** Ha a jótállásra kötelezett jótállási kötelezettségének megfelelő határidőben nem tesz eleget, a jótállási igény a fogyasztó erre irányuló felhívásában tűzött megfelelő határidő elteltétől számított 3 hónapon belül akkor is érvényesíthető *biróság* előtt, ha a jótállási idő már eltelt. E határidő elmulasztása jogvesztéssel jár.

14. A jótállási kötelezettség teljesítésével kapcsolatosan felmerülő *költségek a jótállás kötelezettjét terhelik.* A jótállásból eredő jogok érvényesíthetőségének nem tehető feltételévé a fogyasztási cikk felbontott csomagolásának a fogyasztó általi visszaszolgáltatása.

15. A 151/2003. (IX.22.) Korm.rendeletben meghatározott tartós fogyasztási cikk meghibásodása miatt a vásárlástól (üzembe helyezéstől) számított három munkanapon belül érvényesített csereigény esetén a kötelezett nem hivatkozhat aránytalan többletköltségre, hanem köteles a tartós fogyasztási cikket kicserélni, feltéve, hogy a meghibásodás a rendeltetészerű használatot akadályozza (és a csere nem lehetetlen).

16. Kijavítás esetén a fogyasztási cikkbe csak új alkatrész kerülhet beépítésre. A fogyasztónak a hibás árut a kijavítás vagy kicserélés érdekében a kötelezett rendelkezésére kell bocsátania. A kijavítást vagy kicserélést - a dolog tulajdonságaira és a jogosult által elvárható rendeltetésére figyelemmel megfelelő határidőn belül, a fogyasztó érdekeit kímélve kell elvégezni. A kötelező jótállás keretében javítási- vagy csereigény esetén törekedni kell arra, hogy a kijavítás vagy kicserélés (a fenti 10.,11.,12. pontokban foglaltak sérelme nélkül) 15 napon belül megtörténjen. Ha a kötelező jótállás keretében érvényesített javítás vagy a csere időtartama a 15 napot meghaladja, akkor legkésőbb a 15. napon tájékoztatni kell a fogyasztót a javítás vagy a csere várható időtartamáról. A tájékoztatás a fogyasztó előzetes hozzájárulása esetén elektronikus úton, vagy a fogyasztó általi átvétel igazolására alkalmas más módon történik. A rögzített bekötésű, illetve a 10kg-nál súlyosabb, vagy tömegközlekedési

eszközön kézi csomagként nem szállítható fogyasztási cikket – járművek kivételével - az üzemeltetés helyén kell megjavítani. Ha a javítás az üzemeltetés helyén nem végezhető el, a le- és felszerelésről, valamint az el – és visszaszállításról az értékesítő vállalkozás , vagy – a javítószolgáltatnál közvetlenül érvényesített kijavítási igény esetén – a javítószolgálat gondoskodik.

17. Nem tartozik jótállás alá a hiba és a jótállásra kötelezett mentesül a jótállási kötelezettség alól, ha bizonyítja, hogy a **hiba oka** a vállalkozás által történt teljesítést (termék fogyasztó részére történő átadását) követően keletkezett, így például ha a hibát ▪ nem rendeltetésszerű használat, használati útmutató figyelmen kívül hagyása, helytelen szállítás vagy tárolás, leejtés, rongálás, elemi kár, készüléken kívülálló ok (pl. hálózati feszültség megengedettnél nagyobb ingadozása) ▪ fogyasztó (vagy más, az értékesítő vállalkozástól független személy) által történt szakszerűtlen üzembe helyezés (feltéve, hogy a szakszerűtlen üzembe helyezés nem a használati-kezelési útmutató hibájára vagy hiányára vezethető vissza) ▪ illetéktelen átalakítás, beavatkozás, nem hivatalos szerviz által végzett szakszerűtlen javítás ▪ fogyasztó feladatát képező karbantartási munkák elmulasztása ▪ normál, természetes elhasználódásra visszavezethető (pl. elem lemerülése) vagy üzemszerű kopásnak tulajdonítható meghibásodás okozta. Ha a dolog meghibásodásában a jogosultat (fogyasztót) terhelő karbantartási kötelezettség elmulasztása is közrehatott, a jótállási kötelezettség teljesítésével felmerült költségeket közrehatása arányában a jogosult köteles viselni, ha a dolog karbantartására vonatkozó ismeretekkel rendelkezett, vagy ha a kötelezett e tekintetben tájékoztatási kötelezettségének eleget tett. A jótállás a fogyasztó jogszabályból eredő jogait, így különösen a Polgári Törvénykönyv szerinti kellékszavatossági (Ptk. 6:159. § - 6:167.§) illetve termékszavatossági jogait (Ptk. 6:168.§ - 6:170.§), és ezek jogszabályban előírtak szerinti térítésmentes gyakorlását nem érinti. A jótállás nem érinti továbbá a fogyasztónak a hibás teljesítésből eredő kártérítési jogait. A jótállásból eredő jogokat a fogyasztási cikk tulajdonosa érvényesítheti, feltéve, hogy fogyasztónak minősül.

18. Tájékoztatjuk, hogy a fogyasztóvédelmi törvényben meghatározott fogyasztói jogvita bíróságon kívüli rendezése érdekében Ön a megyei (fővárosi) kereskedelmi és iparkamarák által működtetett békéltető testület eljárását is kezdeményezheti (a békéltető testületek elérhetősége és további tájékoztatás: <https://bekeltetes.hu/index.php?id=testuletek>, és [https://www.fogyasztovedelem.kormany.hu/#/bekelteto\\_testuletek](https://www.fogyasztovedelem.kormany.hu/#/bekelteto_testuletek)).

---

#### A kereskedő tölti ki

Termék megnevezése:..... Vételár: .....

Típus:..... Gyártási szám: .....

Vásárlást igazoló bizonylat száma:.....

Szerződéskötés időpontja: .....

Az átadás időpontja: 20..... hó..... nap. Az üzembe helyezés időpontja: 20..... hó..... nap

Kereskedő bélyegzője: ..... Kereskedő aláírása: .....

Kereskedő címe: .....

---

#### Javítás esetén alkalmazandó

##### A kereskedő vagy szerviznél történő közvetlen bejelentés esetén a szerviz tölti ki

###### 1. kijavítási igény

A jótállási igény bejelentésének időpontja: .....

Javításra átvétel időpontja:.....

Hiba oka:.....

Javítás módja:.....

A termék fogyasztó részére való visszaadásának időpontja:.....

Szerviz pecsétje:

Kereskedő pecsétje:

---

## 2. kijavítási igény

A jótállási igény bejelentésének időpontja: .....

Javításra átvétel időpontja:.....

Hiba oka:.....

Javítás módja:.....

A termék fogyasztó részére való visszaadásának időpontja:.....

Szerviz pecsétje:

Kereskedő pecsétje:

---

## 3. kijavítási igény

A jótállási igény bejelentésének időpontja: .....

Javításra átvétel időpontja:.....

Hiba oka:.....

Javítás módja:.....

A termék fogyasztó részére való visszaadásának időpontja:.....

Szerviz pecsétje:

Kereskedő pecsétje:

---

### Kicserélés esetén alkalmazandó

A jótállási igény kicseréléssel került rendezésre.

A csere időpontja: .....

Kereskedő bélyegzője:

Szerviz bélyegzője:

---

### Kicserélés esetén alkalmazandó

A jótállási igény kicseréléssel került rendezésre.

A csere időpontja: .....

Kereskedő bélyegzője:

Szerviz bélyegzője:

---

Tisztelt Fogyasztó!

Köszönjük, hogy termékünket választotta. Cégünk és szervizünk elérhetősége:

**FAST Hungary Kft.** H-2310 Szigetszentmiklós, Kántor út 10. Tel.: 06-23-330-905; 06-23-330-830;

Fax: 06-23-330-827, E-mail: [szerviz@fasthungary.hu](mailto:szerviz@fasthungary.hu)

## Spis treści

Wskazówki bezpieczeństwa.....	2
Opis urządzenia.....	4
Widok z góry.....	4
Zaczynamy.....	5
ŹRÓDŁO ZASILANIA.....	5
Wskazówki dotyczące obsługi.....	5
PODSTAWOWE FUNKCJE.....	5
OBSŁUGA RADIA.....	6
OBSŁUGA USB/ KARTY TF.....	6
ZAPIS.....	7
OBSŁUGA BLUETOOTH.....	8
OBSŁUGA WEJŚCIA LINIOWEGO.....	8
OBSŁUGA GNIAZDA MIKROFONU/ GITARY.....	8
Dane techniczne.....	9
OGÓLNY WSTĘP.....	9
WSKAZÓWKI I INFORMACJE DOTYCZĄCE LIKWIDACJI ZUŻYTYCH OPAKOWAŃ.....	10
LIKWIDACJA ZUŻYTYCH URZĄDZEŃ ELEKTRYCZNYCH I ELEKTRONICZNYCH.....	10

## Zalecenia dotyczące bezpieczeństwa

Ten produkt został zaprojektowany z najwyższą dbałością o bezpieczeństwo użytkownika. Jego nieprawidłowe użycie może być przyczyną porażenia prądem elektrycznym lub pożaru. Dlatego użytkownik urządzenia powinien przestrzegać poniższych zaleceń. Urządzenie to jest oparte na półprzewodnikach i nie zawiera żadnych elementów, które użytkownik mógłby naprawić we własnym zakresie. Rozbieranie urządzenia może narazić użytkownika na ryzyko porażenia prądem elektrycznym. W razie jakiegokolwiek uszkodzenia produktu należy przekazać go do wykwalifikowanego serwisu.

### Źródło zasilania

Źródło zasilania urządzenia musi spełniać parametry podane na tabliczce znamionowej.

### Źródła ciepła

Urządzenie należy utrzymywać z dala od źródeł ciepła, takich jak piec lub bezpośrednie światło słoneczne.

### Czyszczenie

Przed rozpoczęciem czyszczenia należy odłączyć zasilanie. Do czyszczenia nie wolno stosować środków czyszczących w płynie ani cieczy żrących – urządzenie należy czyścić wyłącznie miękką szmatką.

### Ciężkie przedmioty

Nie należy kłaść na urządzeniu żadnych ciężkich przedmiotów, mogłyby to spowodować jego uszkodzenie.

### Podłączenie innych urządzeń

Przed podłączeniem innych urządzeń należy się upewnić, że odłączono zasilanie. W przeciwnym razie może dojść do uszkodzenia urządzenia lub uszczerbku na zdrowiu.

### Usterki wymagające naprawy

W razie wystąpienia któregośkolwiek z poniższych problemów odłącz urządzenie od sieci i skontaktuj się z wykwalifikowanym serwisem.

- A. Doszło do uszkodzenia kabla zasilającego lub wtyczki.
- B. Do wnętrza urządzenia dostała się ciecz lub ciało obce.
- C. Jeżeli urządzenie nie działa pomimo obsługi zgodnie z instrukcją, nie należy naciskać żadnych przycisków oprócz podanych w niniejszej instrukcji. W przeciwnym razie może dojść do uszkodzenia urządzenia i utrudnienia jego ewentualnej naprawy.
- D. Urządzenie spadło na ziemię z dużej wysokości.
- E. Z urządzenia czuć zapach spalenizny.

### **Konserwacja**

Jeśli nie posiadasz umiejętności technicznych potrzebnych do konserwacji tego urządzenia, nie próbuj go naprawiać samodzielnie. Po otwarciu obudowy urządzenia grozi niebezpieczeństwo porażenia prądem elektrycznym. W razie potrzeby skontaktuj się z wykwalifikowanym technikiem serwisowym.

### **Wymiana elementów**

W razie konieczności wymiany któregoś z elementów urządzenia, należy zwrócić się do serwisu, aby wymieniono go na identyczny model. Użycie innych modeli części zamiennych grozi porażeniem prądem elektrycznym lub skróceniem żywotności urządzenia.

### **Kontrola bezpieczeństwa**

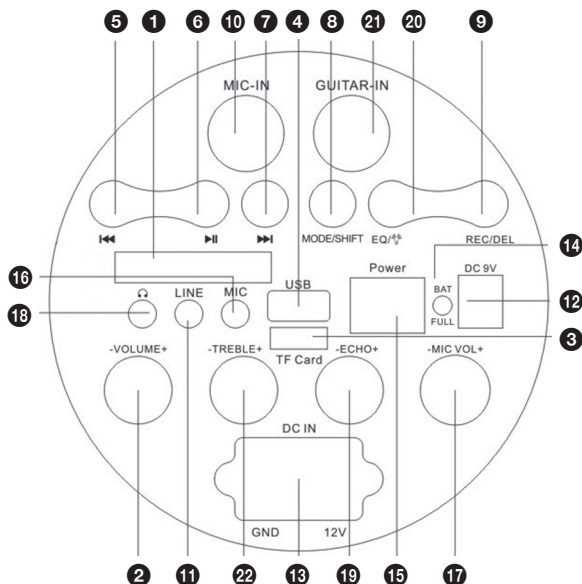
Po zakończeniu konserwacji poproś technika serwisowego o przeprowadzenie na miejscu kontroli bezpieczeństwa, aby mieć pewność, że urządzenie działa bezpiecznie.

#### **Uwaga:**

Przed użyciem tego produktu przeczytaj dokładnie instrukcję i zachowaj ją do późniejszego użycia.

# Opis urządzenia

## Widok z góry



- 1 Wyświetlacz LED
- 2 VOLUME (głośność)
- 3 Gniazdo karty TF
- 4 Złącze USB
- 5 ◀◀ PREVIOUS (poprzedni)
- 6 ▶▶ Przycisk PLAY/PAUSE (odtwarzanie/pauza)
- 7 ▶▶ NEXT (następny)
- 8 Mode/SHIFT (tryb/ZMIANA)
- 9 REC/DEL: Nagrywanie/kasowanie
- 10 MIC-IN: Gniazdo mikrofonu 6,3 mm
- 11 LINE: Wejście liniowe 3,5 mm
- 12 DC 9V: gniazdo ładowania
- 13 DC IN: 12V gniazdo ładowania
- 14 Wskaźnik ładowania
- 15 Power (zasilanie): wyłącznik: „—” – ON (włączony); „O” – OFF (wyłączony).
- 16 MIC (mikrofon): headphone/MIC (słuchawki/mikrofon) 3,5 mm
- 17 MIC VOL: pokrętko głośności mikrofonu
- 18 Złącze słuchawkowe
- 19 ECHO: Pokrętko regulacji pogłosu mikrofonu
- 20 EQ/\* Przetącznik środowiska
- 21 GUITAR-IN: Gniazdo gitary elektrycznej 6,3 mm
- 22 TREBLE (wysokie tony)



# Zaczynamy

## ŹRÓDŁO ZASILANIA

W tym urządzeniu zastosowano akumulator Li-ion wielokrotnego ładowania (pojemność akumulatora wynosi 1800 mAh). Przed pierwszym użyciem należy całkowicie naładować akumulator (przez ok. 3 godziny). Czas odtwarzania przy pełnym naładowaniu wynosi około 5 godzin. Ładowanie akumulatora rozpocznie się automatycznie po podłączeniu ładowarki, podczas ładowania będzie świecić czerwony wskaźnik LED. Po całkowitym naładowaniu akumulatora wskaźnik zmieni kolor na niebieski. Wyładowanie akumulatora wskazuje symbol baterii w prawym rogu wyświetlacza.



### Uwaga:

Wymianę akumulatora może wykonać wyłącznie wykwalifikowany pracownik.

## Instrukcja obsługi

### PODSTAWOWE FUNKCJE

#### WŁĄCZANIE/WYŁĄCZANIE URZĄDZENIA

Aby wyłączyć lub włączyć urządzenie, naciśnij wyłącznik.

#### WYBÓR TRYBU PRACY

Krótkie naciśnięcie powoduje przełączenie wejścia karty TF / USB / LINE IN /FM / Bluetooth. Długie naciśnięcie powoduje przełączenie między folderem z nagraniami (pliki nagrane przez to urządzenie) a folderem MP3.

#### ZMIANA POZIOMU GŁOŚNOŚCI/POGŁOSU

1. Obracając pokrętkę **VOLUME** (głośność) na urządzeniu można zwiększyć lub zmniejszyć głośność odtwarzania muzyki. Długie naciśnięcie przycisku PREVIOUS / NEXT (poprzedni/następny) pozwala zmniejszyć / zwiększyć głośność odtwarzanej muzyki.
2. Obracając pokrętkę **MIC VOL** (głośność mikrofonu) na urządzeniu można zwiększyć lub zmniejszyć głośność mikrofonu.
3. Obracając pokrętkę **ECHO** (pogłos) na urządzeniu można zwiększyć lub zmniejszyć poziom pogłosu mikrofonu lub gitary.

#### FUNKCJA KOREKTORA (EQ)

W trybie odczytu z USB lub TF, naciskając **Environment Switching** można wybrać typ pomieszczenia (plac, sala konferencyjna, dom, hala i prywatny). Długie naciśnięcie umożliwi sterowanie oświetleniem LED typu disco (włączenie lub wyłączenie).

## OBSŁUGA RADIA

Słuchanie stacji radiowych w paśmie FM. Naciskaj przycisk **MODE/SHIFT** (tryb/zmiana) na urządzeniu, dopóki na wyświetlaczu nie pojawi się FM i częstotliwość stacji radiowej. Uwaga: aby uzyskać najlepszy odbiór, wyciągnij całkowicie antenę, znajdującą się na górze urządzenia.

### AUTOMATYCZNE ZAPISANIE STACJI W PAMIĘCI

Aby wyszukać stacje znajdujące się w zasięgu urządzenia i zapisać je w pamięci, w trybie FM naciśnij krótko przycisk **PLAY/PAUSE**. Zaleca się przeprowadzenie przynajmniej jednego kompletnego wyszukiwania stacji przed pierwszym uruchomieniem radia. Wszystkie znalezione stacje pozostaną w pamięci nawet po odłączeniu zasilania. Po zakończeniu wyszukiwania rozpocznie się automatycznie odtwarzanie programu numer 1 (PO1).

### STROJENIE STACJI RADIOWEJ

Aby włączyć stację zapisaną w pamięci:

- Jeżeli chcesz przejść do następnej stacji, naciśnij przycisk **NEXT** (następny).
- Jeżeli chcesz przejść do następnej stacji, naciśnij przycisk **NEXT** (następny).

## OBSŁUGA USB/ KARTY TF

1. Naciskając przycisk **MODE/SHIFT** (tryb/zmiana) na urządzeniu, wybierz tryb „USB” lub „karta TF”. Włóż kartę TF do gniazda stykami do góry i wsuń ją całkowicie do urządzenia, aż usłyszysz kliknięcie. Jeżeli chcesz wyjąć kartę TF z urządzenia, naciśnij jej krawędź paznokciem lub tępym przedmiotem, a karta wysunie się.
2. Włóż pamięć USB lub kartę TF do odpowiedniego gniazda. Rozpocznie się automatyczne odtwarzanie pamięci USB od utworu 1.
3. Aby przerwać odtwarzanie naciśnij przycisk **PLAY/PAUSE** (odtwarzanie/pauza). Aby uruchomić odtwarzanie naciśnij ponownie przycisk **PLAY/PAUSE** (odtwarzanie/pauza).
4. Długie naciśnięcie umożliwia wybór jednego z trybów kolejności odtwarzania (ALL – odtwarza wszystkie dostępne utwory; FOLDER „FOd” – będzie odtwarzać w pętli utwory znajdujące się w katalogu; ONE – będzie powtarzać odtwarzanie jednego utworu; RANDOM „rdO” – odtworzy utwory w losowej kolejności).
5. Jeżeli chcesz wybrać konkretny utwór, naciskaj krótko przycisk **PREVIOUS/ NEXT** (poprzedni/następny) podczas odtwarzania, aż żądany utwór pojawi się na wyświetlaczu. Odtwarzanie rozpocznie się automatycznie.



#### Ważne:

Gniazdo USB jest przeznaczone wyłącznie do przesyłania danych, nie wolno podłączać do niego innych urządzeń. Nie zaleca się używania przedłużaczy USB. Nie odłączaj urządzenia USB w trakcie wczytywania lub odtwarzania utworów.

**Uwaga:**

Ze względu na ilość urządzeń na rynku kompatybilność i obsługa odtwarzania wszystkich mediów nie jest zagwarantowana. Nośniki pamięci, które chcesz podłączyć, należy wcześniej sprawdzić lub sformatować w systemie plików FAT32. Odtwarzanie zabezpieczonych nośników, plików lub treści może być niemożliwe. Odtwarzanie sprawdzonych i niechronionych mediów i treści.

**Uwaga:**

Nośniki o większym poborze energii niż pamięć USB można podłączać wyłącznie w przypadku, gdy mają one własne źródło energii.

## NAGRYWANIE

Nagrywanie jest dostępne w trybie AUX i FM.

Krótko naciśnij przycisk REC/DEL, aby uruchomić nagrywanie (pamięć USB/TF musi być już wcześniej podłączona do urządzenia), kolejne krótkie naciśnięcie zatrzymuje nagrywanie. Podczas nagrywania należy ustawić pogłos (ECHO) na minimum. Aby skasować plik z nagraniem, naciśnij długo przycisk REC/DEL.

Nagrany dźwięk zostanie zapisany w folderze RECORD w formacie WAV.

**Uwaga:**

Podczas nagrywania w trybie LINE IN ustaw preferowaną głośność sygnału wejściowego.

Podczas nagrywania w trybie FM ustaw urządzenie w miejscu, w którym są najlepsze warunki odbioru, aby uzyskać nagranie wysokiej jakości.

Podczas nagrywania z mikrofonu zewnętrznego ustaw pokrętko ECHO (pogłos) na minimum. Zwróć uwagę na to, aby mikrofon znajdował się w odpowiedniej odległości od głośnika, w przeciwnym razie może wystąpić sprzężenie zwrotne.

**Uwaga:**

Dostępny czas nagrywania zależy od pojemności nośnika pamięci. Wszystkie nagrania będą mieć taką samą datę i godzinę utworzenia (urządzenie nie umożliwi wprowadzenia daty i godziny).

## KORZYSTANIE Z BLUETOOTH

1. Naciskając przycisk **MODE/SHIFT** (tryb/zmiana) na urządzeniu przełącz w tryb BLUETOOTH. Na wyświetlaczu LCD pojawi się migający komunikat „**BLUE**” (gotowość do parowania urządzeń).
2. Włącz funkcję Bluetooth w swoim urządzeniu, wyszukaj urządzenie „**SSS3200**” i podłącz, w razie żądania hasła wprowadź 0000. Na wyświetlaczu LCD pojawi się komunikat „BLUE” (parowanie urządzeń zakończono powodzeniem).
3. Aby uruchomić odtwarzanie, naciśnij przycisk **PLAY**.
4. Aby odłączyć Bluetooth naciśnij i przytrzymaj przycisk **PLAY/PAUSE**.

### Uwaga:

Funkcja Bluetooth działa najlepiej w zasięgu 10 metrów otwartej przestrzeni.



### Uwaga:

Niektóre podłączone urządzenia obsługują wspólne ustawienia głośności. Jeśli któreś z podłączonych urządzeń tej funkcji nie obsługuje, ustawienie głośności będzie działać na obu urządzeniach samodzielnie.

## OBSŁUGA WEJŚCIA LINIOWEGO

1. Naciskając przycisk **MODE/SHIFT** (tryb/zmiana) na urządzeniu, wybierz tryb „LINE”.
2. Podłącz swoje urządzenie audio do gniazda LINE IN.
3. Obsługa odtwarzania odbywa się z poziomu urządzenia audio.
4. W trybie LINE IN, naciskając krótko przycisk **PLAY/PAUSE** możesz wyciszyć odtwarzanie, ponowne naciśnięcie przywraca poprzedni poziom głośności.

## OBSŁUGA GNIAZDA MIKROFONU/ GITARY

Wejście mikrofonu jest dostępne we wszystkich trybach.

1. Podłącz mikrofon do gniazda 6,3mm **MIC-IN** lub do gniazda 3,5 mm **MIC**. Podłącz gitarę do gniazda 6,3 mm **GUITAR-IN**. Zielony wskaźnik w pobliżu komunikatu „BAT FULL” oznacza, że do urządzenia podłączono mikrofon lub gitarę.
2. Obracając pokrętkę **MIC VOL** (głośność mikrofonu) na urządzeniu można zwiększyć lub zmniejszyć głośność mikrofonu lub gitary.

### Uwaga:

Przy podłączeniu gitary do urządzenia, ustaw pokrętkę **TREBLE** (wysokie tony) na minimum.

## Dane techniczne

### OGÓLNE

Zasilanie	100–240 V~ 60/50 Hz
Pobór mocy	33 W
Moc wyjściowa	30 W
Częstotliwość FM	87,5–108 MHz
Gniazdo AUX IN	3,5 mm
Gniazdo mikrofonu	6,3 mm
Temperatura otoczenia	5–40 °C

### Bluetooth

System komunikacji	Bluetooth Standard wersja 5.0+EDR
Zasięg odbiornika	10 metrów (w linii prostej)
Kompatybilne profile Bluetooth	Advanced Audio Distribution Profile (A2DP)

### AKCESORIA

Instrukcja obsługi.....	1
Sieciowy kabel zasilający.....	1
Mikrofon przewodowy .....	1

#### **Uwaga:**

Ze względu na ciągłe udoskonalanie produktów dane techniczne mogą ulec zmianie bez wcześniejszego ostrzeżenia.

## WSKAZÓWKI I INFORMACJE DOTYCZĄCE LIKWIDACJI ZUŻYTYCH OPAKOWAŃ

Materiał opakowaniowy należy oddać do likwidacji do punktu skupu.

## LIKWIDACJA ZUŻYTYCH URZĄDZEŃ ELEKTRYCZNYCH I ELEKTRONICZNYCH



Ten symbol umieszczony na produkcie, wyposażeniu lub opakowaniu informuje, że z produktem nie należy obchodzić się jak ze zwykłym odpadem komunalnym. Produkt należy przekazać do punktu recyklingu urządzeń elektrycznych i elektronicznych. W niektórych krajach Unii Europejskiej lub w niektórych państwach europejskich przy zakupie nowego ekwiwalentnego produktu można dokonać zwrotu zużytego produktu lokalnemu sprzedawcy. Dzięki prawidłowej likwidacji tego produktu przyczyniasz się do ochrony cennych źródeł naturalnych i zapobiegasz ewentualnemu negatywnemu wpływowi odpadów na środowisko naturalne i zdrowie ludzkie, do czego mogłoby dojść w wyniku nieprawidłowej likwidacji odpadu. Szczegółowych informacji udzielają lokalne urzędy lub najbliższy punkt zbiorczy przeprowadzający likwidację odpadów. Niewłaściwa likwidacja tego typu odpadów może skutkować nałożeniem kary ustawowej.

### Dla firm w Unii Europejskiej

Chcąc zlikwidować urządzenie elektryczne lub elektroniczne, zwróć się o informacje do swojego sprzedawcy lub dostawcy.

### Likwidacja wyrobów w krajach spoza Unii Europejskiej

Jeśli chcesz zlikwidować ten produkt, zwróć się o informacje dotyczące prawidłowego sposobu likwidacji do ministerstwa lub sprzedawcy.



Produkt spełnia wymagania UE.

FAST ČR, a.s. niniejszym oświadcza, że typ urządzenia radiowego SSS 3200 KIDS jest zgodny z dyrektywą 2014/53/UE. Pełny tekst deklaracji zgodności UE jest dostępny pod następującym adresem internetowym: [www.sencor.eu](http://www.sencor.eu)

Tekst, design i dane techniczne mogą się zmienić bez uprzedzenia i zastrzegamy sobie prawo do dokonania tych zmian.

Językiem oryginału jest język czeski.

Adres producenta: FAST ČR, a.s., U Sanitatu 1621, Říčany CZ-251 01

# SENCOR®

## PL Warunki gwarancji

### Karta gwarancyjna nie jest częścią pakietu urządzenia.

Produkt objęty jest 24 – miesięczną gwarancją, począwszy od daty zakupu przez klienta. Gwarancja jest ograniczona tylko do przedstawionych dalej warunków. Gwarancja obejmuje tylko produkty zakupione w Polsce i jest ważna tylko na terytorium Rzeczypospolitej Polskiej. Gwarancja obejmuje tylko produkty funkcjonujące w warunkach gospodarstwa domowego (nie dotyczy produktów oznaczonych jako „Professional“). Zgłoszenia gwarancyjne można dokonać w autoryzowanej sieci serwisowej lub w sklepie, gdzie produkt został nabyty. Użytkownik jest zobowiązany zgłosić usterkę niezwłocznie po jej wykryciu, a najpóźniej w ostatnim dniu obowiązywania okresu gwarancyjnego. Użytkownik jest zobowiązany do przedstawienia i udokumentowania usterki. Tylko kompletne i czyste produkty (zgodnie ze standardami higienicznymi) będą przyjmowane do naprawy. Usterki będą usuwane przez autoryzowany punkt serwisowy w możliwie krótkim terminie, nieprzekraczającym 14 dni roboczych. Okres gwarancji przedłuża się o czas pobytu sprzętu w serwisie. Klient może ubiegać się o wymianę sprzętu na wolny od wad, jeżeli punkt serwisowy stwierdzi na piśmie, że usunięcie wady jest niemożliwe. Aby produkt mógł być przyjęty przez serwis, użytkownik jest zobowiązany dostarczyć oryginały: dowodu zakupu (paragon lub faktura), podbitej i wypełnionej karty gwarancyjnej, certyfikatu instalacji (niektóre produkty).

#### Gwarancja zostaje unieważniona, jeśli:

- usterka była widoczna w chwili zakupu;
- usterka wynika ze zwykłego użytkowania i zużycia;
- produkt został uszkodzony z powodu złej instalacji, niezastosowania się do instrukcji obsługi lub użytkowania niezgodnego z przeznaczeniem;
- produkt został uszkodzony z powodu złej konserwacji lub jej braku;
- produkt został uszkodzony z powodu zanieczyszczenia, wypadku lub okoliczności o charakterze sił wyższych (powódź, pożar, wojny, zamieszki itp.);
- produkt wykazuje złe działanie z powodu słabego sygnału, zakłóceń elektromagnetycznych itp.;
- produkt został uszkodzony mechanicznie (np. Wylamany przycisk, upadek, itp.);
- produkt został uszkodzony z powodu użycia niewłaściwych materiałów eksploatacyjnych, nośników, akcesoriów, baterii, akumulatorów itp. lub z powodu użytkowania w złych warunkach (temperatura, wilgotność, wstrząsy itp.);
- produkt był naprawiany lub modyfikowany przez nieautoryzowany personel;
- użytkownik nie jest w stanie udowodnić zakupu (nieczytelny paragon lub faktura), dane na przedstawionych dokumentach są inne niż na urządzeniu;
- produkt nie może być zidentyfikowany ze względu na uszkodzenie numeru serijnego lub plomby gwarancyjnej.

Sprzęt marki Sencor serwisuje **Centralny Serwis FAST Poland Sp. z o.o.** Okres gwarancji wynosi 24 miesiące dla użytkownika domowego, dla firm i instytucji ulega skróceniu do 12 miesięcy od daty zakupu. Prosimy o sprawdzenie szczegółów procedury reklamacyjnej na stronie internetowej <https://www.sencor.pl/serwis> lub kontakt telefoniczny.

**tel. kontaktowy +48 697 690 228**

**mail: [serwis@fastpoland.pl](mailto:serwis@fastpoland.pl)**

**www: [www.fastpoland.pl](http://www.fastpoland.pl)**

#### Service details:

AUTORYZOWANY SERWIS  
Fast Poland Sp. z o.o.  
ul. Kwietniowa 36  
05-090 Wypędy  
tel. +48 22 102 16 90  
e-mail: [serwis@fastpoland.pl](mailto:serwis@fastpoland.pl)  
[www.fastpoland.pl](http://www.fastpoland.pl)

#### Distributor details (FAST PL headquarter):

FAST POLAND SP. Z O.O.  
ul. Kwietniowa 36  
05-090 Wypędy  
tel: +48 22 102 16 90  
e-mail: [biuro@fastpoland.pl](mailto:biuro@fastpoland.pl)  
[www.fastpoland.pl](http://www.fastpoland.pl)

