

# MICROWAVE OVEN

## OWNER'S MANUAL

**PHILCO**



*Famous for Quality the World Over*

**PMD 258 BIX**

**Dear customer,  
Thank you for buying a PHILCO brand product. So that your appliance serves you well, please read all the instructions in this user's manual.**

# CONTENTS

<b>PART 1: SAFETY INFORMATION.....</b>	<b>2</b>
Utensils.....	7
Materials you can use in microwave oven .....	7
Materials to be avoided in microwave oven.....	8
<b>PART 2: SETTING UP YOUR OVEN.....</b>	<b>9</b>
Names of Oven Parts and Accessories.....	9
Control panel .....	10
Turntable Installation.....	11
Installation and connection .....	11
<b>PART 3: INSTALLATION INSTRUCTIONS .....</b>	<b>12</b>
<b>PART 4: OPERATION INSTRUCTION .....</b>	<b>15</b>
1. Clock Setting .....	15
2. Microwave Cooking .....	15
3. Grill or Combi. Cooking .....	16
4. Defrost By Weight.....	16
5. Defrost By Time .....	17
6. Multi-Stage Cooking.....	17
7. Kitchen Timer .....	17
8. Auto Menu .....	17
9. Speedy Cooking.....	18
10. Lock Function for Children.....	18
11. Inquiring Function .....	19
12. Specification.....	19
13. Open the oven door.....	19
<b>PART 5: TROUBLE SHOOTING .....</b>	<b>20</b>
<b>PART 6: SPECIFICATIONS .....</b>	<b>21</b>
INSTRUCTIONS AND INFORMATION REGARDING THE DISPOSAL OF USED PACKAGING MATERIALS.....	22
DISPOSAL OF USED ELECTRICAL AND ELECTRONIC APPLIANCES .....	22



This appliance has been tested in accordance with the directives in force in the European Union.  
This appliance conforms to the relevant safety provisions for electrical appliances in force in the European Union.

## PART 1: SAFETY INFORMATION

- THIS APPLIANCE CAN BE USED BY CHILDREN AGED FROM 8 YEARS AND ABOVE AND BY PERSONS WITH REDUCED PHYSICAL, SENSORY OR MENTAL CAPABILITIES OR LACK OF EXPERIENCE AND KNOWLEDGE IF THEY HAVE BEEN GIVEN SUPERVISION OR INSTRUCTIONS CONCERNING USE OF THE APPLIANCE IN A SAFE WAY AND IF THEY UNDERSTAND THE HAZARDS INVOLVED.
- CHILDREN MUST NOT PLAY WITH THE APPLIANCE.
- CLEANING AND USER MAINTENANCE CANNOT BE PERFORMED BY CHILDREN WITHOUT SUPERVISION.
- IF THE SUPPLY CABLE GETS DAMAGED, HAVE IT REPLACED BY A SPECIALIZED SERVICE CENTRE IN ORDER TO AVOID DANGEROUS SITUATIONS. IT IS PROHIBITED TO USE AN APPLIANCE WITH THE SUPPLY CABLE DAMAGED.

### **IMPORTANT SAFETY PRECAUTIONS READ CAREFULLY AND KEEP FOR FUTURE REFERENCE.**



#### **CAUTION:**

IF THE DOOR OR DOOR SEAL GET DAMAGED, THE OVEN MUST NOT BE USED UNTIL THEY ARE REPAIRED BY TRAINED PERSONNEL.

**CAUTION:**

IT IS DANGEROUS FOR ALL PEOPLE OTHER THAN TRAINED PERSONNEL TO PERFORM ANY REPAIRS OR MAINTENANCE INVOLVING REMOVAL OF ANY COVERS ENSURING PROTECTION AGAINST EMISSION OF MICROWAVES.

**CAUTION:**

LIQUIDS AND OTHER FOOD SHOULD NOT BE HEATED UP IN CLOSED CONTAINERS, BECAUSE THEY ARE PRONE TO EXPLOSION.

- THIS APPLIANCE IS INTENDED TO BE USED IN HOUSEHOLDS AND SIMILAR PREMISES, SUCH AS
  - KITCHENETTES IN SHOPS, OFFICES AND OTHER WORKPLACES;
  - AGRICULTURAL FACILITIES;
  - HOTELS, MOTELS, AND OTHER ACCOMMODATION FACILITIES WHERE APPLIANCES ARE USED BY GUESTS;
  - BED AND BREAKFAST FACILITIES.
- THIS MICROWAVE OVEN IS AN IN-BUILT APPLIANCE INTENDED TO BE BUILT INTO A CABINET. MINIMUM REQUIRED CABINET DIMENSIONS AND INSTALLATION REQUIREMENTS ARE INCLUDED IN THIS MANUAL.
- ONLY CONTAINERS SUITABLE FOR USE IN MICROWAVE OVENS CAN BE USED.

- IT IS NOT ALLOWED TO USE METAL FOOD OR DRINK CONTAINERS FOR COOKING IN MICROWAVE OVENS.
- WHEN HEATING UP FOOD IN PAPER OR PLASTIC CONTAINERS, CHECK THE OVEN FROM TIME TO TIME TO PREVENT IGNITION.
- MICROWAVE OVEN IS INTENDED FOR HEATING UP FOOD AND DRINKS. DRYING FOOD OR CLOTHES AND HEATING UP HEATING PADS, SLIPPERS, WASHING SPONGES, WET CLOTHES AND SIMILAR OBJECTS CAN LEAD TO INJURIES, IGNITION OR FIRE.
- IF THERE IS SMOKE, TURN OFF OR UNPLUG THE APPLIANCE AND LEAVE THE DOOR CLOSED TO PREVENT POSSIBLE FIRE FROM SPREADING.
- HEATING UP DRINKS USING A MICROWAVE CAN CAUSE DELAYED BOILING WHICH MUST BE KEPT IN MIND WHEN HOLDING THE CONTAINER.
- BEFORE CONSUMPTION, THE CONTENT OF BABY BOTTLES AND BABY FOOD MUST BE STIRRED OR SHAKEN UP AND THEIR TEMPERATURE MUST BE CHECKED TO PREVENT BURNING.
- EGGS IN SHELLS AND WHOLE HARD-BOILED EGGS MUST NOT BE HEATED UP IN MICROWAVE OVENS BECAUSE THEY CAN EXPLODE EVEN AFTER HEATING UP USING MICROWAVES HAS BEEN COMPLETED.

- DETAILS REGARDING CLEANING DOOR SEAL, OPERATION AREAS AND ADJACENT AREAS:
  - THE OVEN SHOULD BE CLEANED CORRECTLY AND POSSIBLE FOOD REMAINS SHOULD BE REMOVED.
  - NOT KEEPING THE OVEN CLEAN COULD LEAD TO THE SURFACE FINISH DAMAGE WHICH COULD ADVERSELY AFFECT THE APPLIANCE'S SERVICE LIFE AND LEAD TO DANGEROUS SITUATIONS.
- DO NOT USE TEMPERATURE PROBES.
- PLEASE ENSURE THAT THE ROTATING TRAY DOES NOT CHANGE ITS POSITION WHEN REMOVING CONTAINERS FROM THE APPLIANCE.
- THE APPLIANCE MUST NOT BE CLEANED USING STEAM CLEANERS.
- MINIMUM CABINET DIMENSIONS ARE INCLUDED IN THIS MANUAL.
- IF THE CABINET IS EQUIPPED WITH DECORATIVE DOORS, THE APPLIANCE CAN ONLY BE USED WITH THESE DOORS OPENED.

## **CLEANING**

BE SURE TO UNPLUG THE APPLIANCE FROM THE POWER SUPPLY.

1. CLEAN THE CAVITY OF THE OVEN AFTER USING WITH A SLIGHTLY DAMP CLOTH.
2. CLEAN THE ACCESSORIES IN THE USUAL WAY IN SOAPY WATER.
3. THE DOOR FRAME AND SEAL AND NEIGHBOURING PARTS MUST BE CLEANED CAREFULLY WITH A DAMP CLOTH WHEN THEY ARE DIRTY.
4. DO NOT USE HARSH ABRASIVE CLEANERS OR SHARP METAL SCRAPERS TO CLEAN THE OVEN DOOR GLASS SINCE THEY CAN SCRATCH THE SURFACE, WHICH MAY RESULT IN SHATTERING OF THE GLASS.
5. CLEANING TIP: FOR EASIER CLEANING OF THE CAVITY WALLS THAT THE FOOD COOKED CAN TOUCH: PLACE HALF A LEMON IN A BOWL, ADD 300ML (1/2 PINT) WATER AND HEAT ON 100% MICROWAVE POWER FOR 10 MINUTES. WIPE THE OVEN CLEAN USING A SOFT, DRY CLOTH.



# Utensils

## Personal Injury Hazard

It is hazardous for anyone other than a competent person to carry out any service or repair operation that involves the removal of a cover which gives protection against exposure to microwave energy.

See the instructions on “Materials you can use in microwave oven or to be avoided in microwave oven.” There may be certain non-metallic utensils that are not safe to use for microwaving. If in doubt, you can test the utensil in question following the procedure below.

Utensil Test:

1. Fill a microwave-safe container with 1 cup of cold water (250ml) along with the utensil in question.
2. Cook on maximum power for 1 minute.
3. Carefully feel the utensil. If the empty utensil is warm, do not use it for microwave cooking.
4. Do not exceed 1 minute cooking time.

## Materials you can use in microwave oven

Utensils	Remarks
Browning dish	Follow manufacturer's instructions. The bottom of browning dish must be at least 3/16 inch (5mm) above the turntable. Incorrect usage may cause the turntable to break.
Dinnerware	Microwave-safe only. Follow manufacturer's instructions. Do not use cracked or chipped dishes.
Glass jars	Always remove lid. Use only to heat food until just warm. Most glass jars are not heat resistant and may break.
Glassware	Heat-resistant oven glassware only. Make sure there is no metallic trim. Do not use cracked or chipped dishes.
Oven cooking bags	Follow manufacturer's instructions. Do not close with metal tie. Make slits to allow steam to escape.
Paper plates and cups	Use for short-term cooking/warming only. Do not leave oven unattended while cooking.
Paper towels	Use to cover food for reheating and absorbing fat. Use with supervision for a short-term cooking only.
Parchment paper	Use as a cover to prevent splattering or a wrap for steaming.

Plastic	Microwave-safe only. Follow the manufacturer's instructions. Should be labeled „Microwave Safe“. Some plastic containers soften, as the food inside gets hot. „Boiling bags“ and tightly closed plastic bags should be slit, pierced or vented as directed by package.
Plastic wrap	Microwave-safe only. Use to cover food during cooking to retain moisture. Do not allow plastic wrap to touch food.
Thermometers	Microwave-safe only (meat and candy thermometers).
Wax paper	Use as a cover to prevent splattering and retain moisture.

## Materials to be avoided in microwave oven

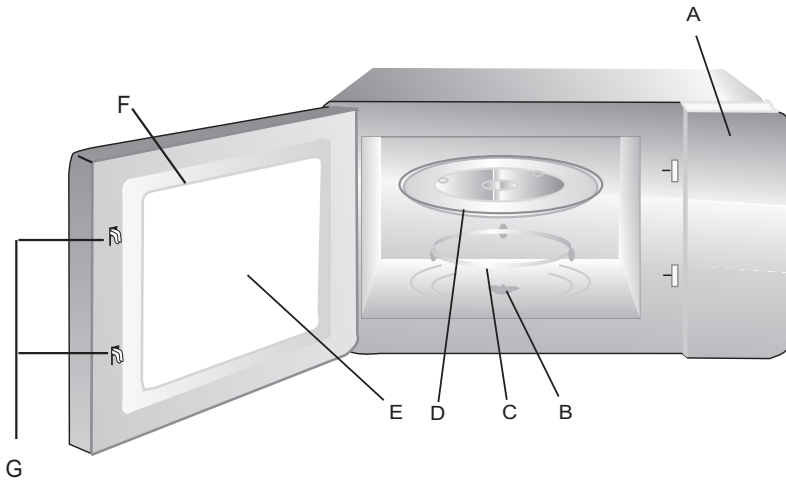
Utensils	Remarks
Aluminum tray	May cause arcing. Transfer food into microwave-safe dish.
Food carton with metal handle	May cause arcing. Transfer food into microwave-safe dish.
Metal or metal-trimmed utensils	Metal shields the food from microwave energy. Metal trim may cause arcing.
Metal twist ties	May cause arcing and could cause a fire in the oven.
Paper bags	May cause a fire in the oven.
Plastic foam	Plastic foam may melt or contaminate the liquid inside when exposed to high temperature.
Wood	Wood will dry out when used in the microwave oven and may split or crack.

## PART 2: SETTING UP YOUR OVEN

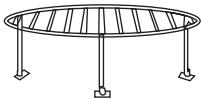
### Names of Oven Parts and Accessories

Remove the oven and all materials from the carton and oven cavity.  
Your oven comes with the following accessories:

Glass tray	1
Turntable ring assembly	1
Instruction Manual	1

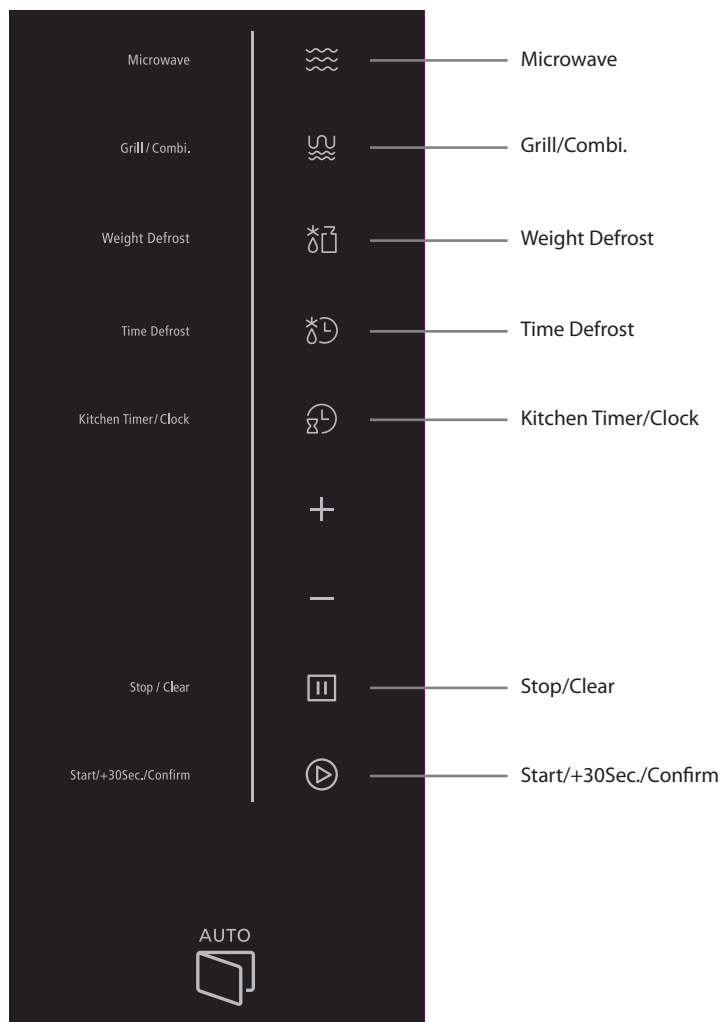


- A) Control panel
- B) Turntable shaft
- C) Turntable ring assembly
- D) Glass tray
- E) Observation window
- F) Door assembly
- G) Safety interlock system

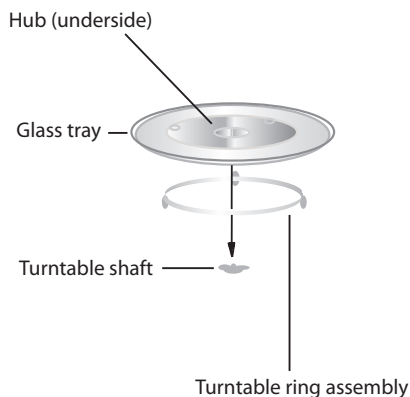


Grill Rack (Only be used in grill function and be placed on the glass tray).

## Control panel



## Turntable Installation



- a. Never place the glass tray upside down. The glass tray should never be restricted.
- b. Both glass tray and turntable ring assembly must always be used during cooking.
- c. All food and containers of food are always placed on the glass tray for cooking.
- d. If glass tray or turntable ring assembly cracks or breaks, contact your nearest authorized service center.

## Installation and connection

1. This appliance is only intended for domestic use.
2. This oven is intended for built-in use only. It is not intended for counter-top use or for use inside a cupboard.
3. Please observe the special installation instructions.
4. The appliance can be installed in a 60cm wide wallmounted cupboard.
5. The appliance is fitted with a plug and must only be connected to a properly installed earthed socket.
6. The mains voltage must correspond to the voltage specified on the rating plate.
7. The socket must be installed and connecting cable must only be replaced by a qualified electrician. If the plug is no longer to accessible following installation, an all-pole disconnecting device must be present on the installation side with a contact gap of at least 3mm.
8. Adapters, multi-way strips and extension leads must not be used. Overloading can result in a risk of fire.



The accessible surface may be hot during operation.

## PART 3: INSTALLATION INSTRUCTIONS

**Please Read the Manual Carefully Before Installation.**

### **Please note**

#### **Electrical connection**

The appliance is fitted with a plug and must only be connected to a properly installed earthed socket. Only a qualified electrician who takes the appropriate regulations into account may install the socket or replace the connecting cable. If the plug is no longer accessible following installation, an all-pole isolating switch must be present on the installation side with a contact gap of at least 3 mm. Contact protection must be ensured by the installation.

#### **Fitted units**

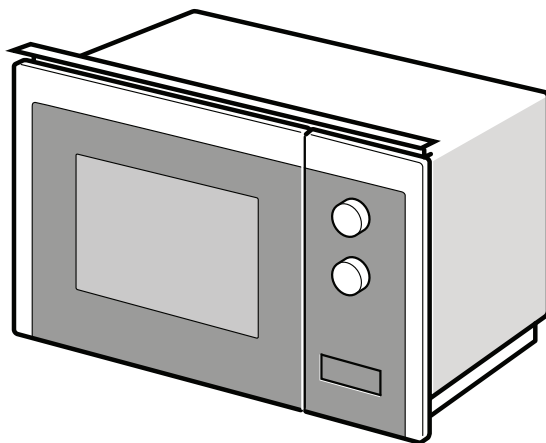
The installation cabinet must not have a back panel behind the appliance.

Minimum installation height: 850 mm.

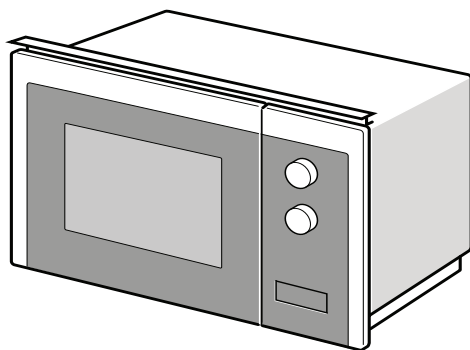
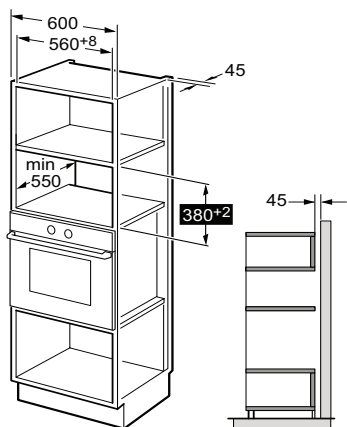
Ventilation slots and intakes must not be covered.

#### **Installing the oven - Fig. 2**

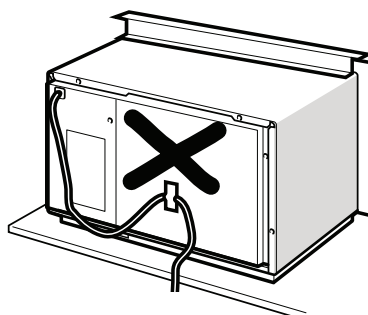
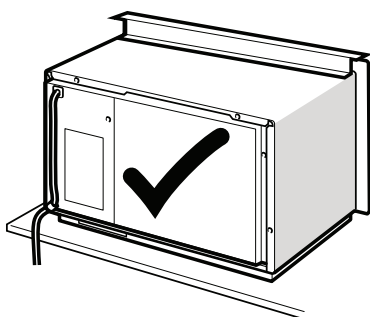
**Note:** Do not trap or kink the mains lead.

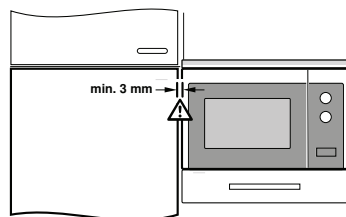
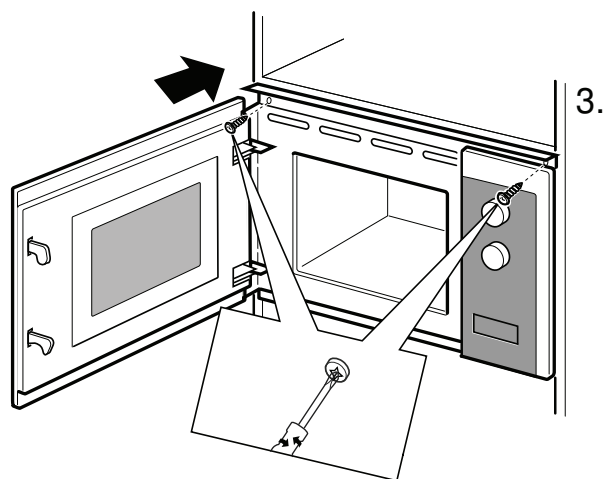
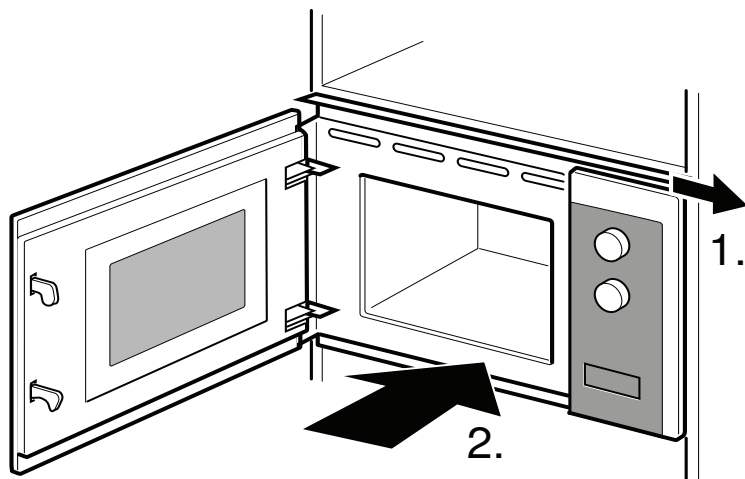


# 1



# 2







# PART 4: OPERATION INSTRUCTION

This microwave oven uses modern electronic control to adjust cooking parameters to meet your needs better for cooking.

## 1. Clock Setting

When the microwave oven is electrified, the oven will display "0:00", buzzer will ring once. The oven will enter to waiting state.

- 1) Press "Kitchen Timer / Clock" twice, the hour figures will flash.
- 2) Press "-" or "+" to adjust the hour figures, the input time should be within 0-23.
- 3) Press "Kitchen Timer / Clock" to confirm, the minute figures will flash.
- 4) Turn "-" or "+" to adjust the minute figures, the input time should be within 0-59.
- 5) Press "Kitchen Timer / Clock" to finish clock setting. ":" will flash. The current time will display.

Note: If the clock is not set, it would not function when powered.

## 2. Microwave Cooking

- 1) Press the "Microwave" key once, and "P100" will display.
- 2) Press "Microwave" repeatedly or press "-" or "+" to select the microwave power. "P100", "P80", "P50", "P30", "P10" will display in order.
- 3) Press "Start/+30 Sec./Confirm" to confirm setting.
- 4) Press "-" or "+" to adjust the cooking time. (The maximum cooking time is 95 minutes)
- 5) Press "Start/+30 Sec./Confirm" to start cooking.

NOTE: the step quantities for the adjustment time of the coding switch are as follow:

0 - 1 min:	5 seconds
1 - 5 min:	10 seconds
5 - 10 min:	30 seconds
10 - 30 min:	1 minute
30 - 95 min:	5 minutes

Microwave Power Chart

Microwave Power	High	Med.High	Med.	Med.Low	Low
Display	P100	P80	P50	P30	P10

### 3. Grill or Combi. Cooking

Press "Grill/Combi." once, the screen will display "G", and press "Grill/Combi." repeatedly or press "-" or "+" to choose the power you want, and "G", "C-1" or "C-2" will display. Press "Start/+30 Sec./Confirm" to confirm the power. Press "-" or "+" to set cooking time. (The maximum cooking time is 95 minutes) Press "Start/+30 Sec./Confirm" again to start cooking.

Example: If you want to use 55% microwave power and 45% grill power (C-1) to cook for 10 minutes, you can operate the oven as the following steps.

- 1) Press "Grill/Combi." once, the screen displays "G".
- 2) Continue to press "Grill/Combi." until the screen displays "C-1".
- 3) Press "Start/+30 Sec./Confirm" to confirm.
- 4) Press "-" or "+" to adjust the cooking time until the oven displays "10:00".
- 5) Press "Start/+30 Sec./Confirm" to start cooking.

Combination Power instructions:

Program	Display	Microwave Power	Power Grill
Grill	G	0%	100%
Combi.1	C-1	55%	45%
Combi.2	C-2	36%	64%

Note: If half the grill time passes, the oven sounds twice, and this is normal. In order to have a better effect of grilling food, you should turn the food over, close the door, and then press "Start/+30 Sec./Confirm" to continue cooking. If no operation, the oven will continue working.

### 4. Defrost By Weight

- 1) Press "Weight Defrost" once, the screen will display "dEF1".
- 2) Press "-" or "+" to select the food weight. The range of weight is 100-2000g.
- 3) Press "Start/+30Sec./Confirm" key to start defrosting.

Note: If half the defrost time passes, the oven sounds twice, and this is normal. In order to have a better effect of defrosting, you should turn the food over, close the door, and then press "Start/+30 Sec./Confirm" to continue cooking. If no operation, the oven will continue working.

## 5. Defrost By Time

- 1) Press "Time Defrost" once, the screen will display "dEF2".
- 2) Press "-" or "+" to select the cooking time. The maximum time is 95 minutes.
- 3) Press "Start/+30 Sec./Confirm" key to start defrosting.

Note: If half the defrost time passes, the oven sounds twice, and this is normal. In order to have a better effect of defrosting, you should turn the food over, close the door, and then press "Start/+30 Sec. / Confirm" to continue cooking. If no operation, the oven will continue working.

## 6. Multi-Stage Cooking

2 stages can be maximumly set. If one stages is defrosting, it should be put in the first stage automatically. The buzzer will ring once after each stage and the next stage will begin. Note: Auto menu and speedy cooking cannot be set as one of the multi-stage.

Example: if you want to defrost the food for 5 minutes, then to cook with 80% microwave power for 7 minutes. The steps are as following:

- 1) Press "Time Defrost" once, the screen will display "dEF2".
- 2) Press "-" or "+" to adjust the defrost time of 5 minutes.
- 3) Press "Microwave" once, the screen will display "P100".
- 4) Press "Microwave" repeatedly to choose microwave power till "P80" displays.
- 5) Press "Start/+30 Sec./Confirm" to confirm.
- 5) Press "-" or "+" to adjust the cooking time of 7 minutes.
- 7) Press "Start/+30 Sec./Confirm" to start cooking.

## 7. Kitchen Timer

- 1) Press "Kitchen Timer/Clock" once, the screen will display "00:00" .
- 2) Press "-" or "+" to enter the correct timer.  
(The maximum cooking time is 95 minutes)
- 3) Press "Start/+30 Sec./Confirm" to confirm setting.
- 4) When the kitchen time is reached, the buzzer will ring 5 times.  
If the clock has been set (24-hour system), the screen will display the current time.

Note: The kitchen Time is different from 24-hour system. Kitchen Timer is a timer.

## 8. Auto Menu

- 1) In waiting state, press "+" repeatedly to choose the menu .
- 2) Press "Start/+30 Sec./Confirm" to confirm the menu you choose.
- 3) Press "-" or "+" to choose the food weight.
- 4) Press "Start/+30 Sec./Confirm" to start cooking.

The menu chart:

Menu	Weight	Power
Pizza	200 g	C-2
	400 g	
Meat	250 g	100% (Mic.)
	350 g	
	450 g	
Vegetable	200 g	100% (Mic.)
	300 g	
	400 g	
Pasta	50 g (with 450 g cold water)	80% (Mic.)
	100 g (with 800 g cold water)	
Potato	200 g	100% (Mic.)
	400 g	
	600 g	
Fish	250 g	80% (Mic.)
	350 g	
	450 g	
Beverage	1 cup (about 120 ml)	100% (Mic.)
	2 cups (about 240 ml)	
	3 cups (about 360 ml)	
Popcorn	50 g	100% (Mic.)
	100 g	

## 9. Speedy Cooking

- 1) In waiting state, press "Start/+30 Sec./Confirm" key to cook with 100% power level for 30 seconds. Each press on the same key can increase 30 seconds. The maximum cooking time is 95 minutes.
- 2) During the microwave, grill, combination cooking and the defrost by time process, press "Start/+30 Sec./Confirm" to increase the cooking time.
- 3) Under the states of auto menu and defrost by weight, cooking time cannot be increased by pressing "Start/+30 Sec./Confirm".
- 4) In waiting state, press "-" to choose the cooking time. After adjusting the cooking time, press "Start/+30 Sec./Confirm" to start microwave cooking with 100 % power lever.

## 10. Lock Function for Children

Lock: In waiting state, press "STOP/Clear" for 3 seconds to enter the children-lock state and the current time will display if the time has been set, otherwise, the screen will display "🔒 : : 🔒".

Lock quitting: In locked state, press "STOP/Clear" for 3 seconds, the lock is released.


## 11. Inquiring Function

- 1) In cooking states of microwave or grill and combination. Press "Microwave" or "Grill/Combi.", the current power will be displayed for 3 seconds.
- 2) If the clock has been set, during cooking state, press "Kitchen Timer/Clock" to check the current time. It will be displayed for 3 seconds.

## 12. Specification

- 1) If the door is opened in the process of cooking, close the door and then press "Start/+30 Sec./Confirm" to continue cooking.
- 2) Once the cooking programme has been set, "Start/+30 Sec./Confirm" is not pressed in 1 minutes. The current time will be displayed. The setting will be cancelled.
- 3) The buzzer sounds once by efficient press, inefficient press will be no response.

## 13. Open the oven door

Press " button, the oven door will open.

## PART 5: TROUBLE SHOOTING

<b>Normal</b>	
Microwave oven interfering TV reception	Radio and TV reception may be interfered when microwave oven operating. It is similar to the interference of small electrical appliances, like mixer, vacuum cleaner, and electric fan. It is normal.
Dim oven light	In low power microwave cooking, oven light may become dim. It is normal.
Steam accumulating on door, hot air out of vents	In cooking, steam may come out of food. Most will get out from vents. But some may accumulate on cool place like oven door. It is normal.
Oven started accidentally with no food in.	It is forbidden to run the unit without any food inside. It is very dangerous.

<b>Trouble</b>	<b>Possible cause</b>	<b>Remedy</b>
Oven can not be started.	(1) Power cord not plugged in tightly.	Unplug. Then plug again after 10 seconds.
	(2) Fuse blowing or circuit breaker works.	Replace fuse or reset circuit breaker (repaired by professional personnel of our company)
	(3) Trouble with outlet.	Test outlet with other electrical appliances.
Oven does not heat.	(4) Door not closed well.	Close door well.



According to Waste of Electrical and Electronic Equipment (WEEE) directive, WEEE should be separately collected and treated. If at any time in future you need to dispose of this product please do NOT dispose of this product with household waste. Please send this product to WEEE collecting points where available.

## PART 6: SPECIFICATIONS

Model:	PMD 258 BIX
Rated Voltage:	230 V~ 50 Hz
Rated Input Power (Microwave):	1450 W
Rated Output Power (Microwave):	900 W
Rated Input Power (Grill):	1000 W
Oven Capacity:	25 l
Turntable Diameter:	ø 315 mm
External Dimensions:	594x403x382mm
Net Weight:	17.83kg

## INSTRUCTIONS AND INFORMATION REGARDING THE DISPOSAL OF USED PACKAGING MATERIALS

Dispose of packaging material at a public waste disposal site.

### DISPOSAL OF USED ELECTRICAL AND ELECTRONIC APPLIANCES



The meaning of the symbol on the product, its accessory or packaging indicates that this product shall not be treated as household waste. Please, dispose of this product at your applicable collection point for the recycling of electrical & electronic equipment waste. Alternatively in some states of the European Union or other European states you may return your products to your local retailer when buying an equivalent new product. The correct disposal of this product will help save valuable natural resources and help in preventing the potential negative impact on the environment and human health, which could be caused as a result of improper liquidation of waste. Please ask your local authorities or the nearest waste collection centre for further details. The improper disposal of this type of waste may fall subject to national regulations for fines.

#### **For business entities in the European Union**

If you wish to dispose of an electrical or electronic device, request the necessary information from your seller or supplier.

#### **Disposal in other countries outside the European Union**

If you wish to dispose of this product, request the necessary information about the correct disposal method from local government departments or from your seller.



This product meets all the basic EU regulation requirements that relate to it.

Changes to the text, design and technical specifications may occur without prior notice and we reserve the right to make these changes.



# MIKROVLNNÁ TROUBA

NÁVOD K OBSLUZE

**PHILCO**



*Famous for Quality the World Over*

**PMD 258 BIX**

**Vážený zákazníku,  
Děkujeme, že jste si koupil výrobek značky PHILCO. Aby mohl váš spotřebič sloužit dobře, přečtěte si  
všechny pokyny uvedené v tomto návodu k obsluze.**

# OBSAH

<b>ČÁST 1: BEZPEČNOSTNÍ POKYNY</b> .....	<b>2</b>
Kuchyňské nádobí.....	7
Materiály nevhodné pro používání v mikrovlnné troubě.....	8
<b>ČÁST 2: INSTALACE TROUBY</b> .....	<b>9</b>
Názvy dílů a příslušenství trouby .....	9
Ovládací panel.....	10
Instalace otočné talíře.....	11
Instalace a připojení .....	11
<b>ČÁST 3: POKYNY K INSTALACI</b> .....	<b>12</b>
<b>ČÁST 4: OBSLUHA</b> .....	<b>15</b>
1. Nastavení hodin .....	15
2. Mikrovlnné vaření.....	15
3. Gril nebo Kombinované vaření.....	16
4. Rozmrazování podle hmotnosti.....	16
5. Rozmrazování podle času.....	17
6. Vaření ve více krocích .....	17
7. Kuchyňský časovač.....	17
8. Auto Menu .....	17
9. Rychlé vaření .....	18
10. Funkce dětského zámku.....	18
11. Informační funkce .....	19
12. Specifikace.....	19
13. Otevření dvířek trouby.....	19
<b>ČÁST 5: ŘEŠENÍ PROBLÉMŮ</b> .....	<b>20</b>
<b>ČÁST 6: TECHNICKÉ ÚDAJE</b> .....	<b>21</b>
POKYNY A INFORMACE TÝKAJÍCÍ SE LIKVIDACE POUŽITÝCH OBALOVÝCH MATERIÁLŮ .....	22
LIKVIDACE POUŽITÝCH ELEKTRICKÝCH A ELEKTRONICKÝCH SPOTŘEBIČŮ .....	22



Zařízení bylo testováno podle platných směrnic Evropské unie. Zařízení vyhovuje bezpečnostním ustanovením platným pro elektrické spotřebiče v Evropské unii.

## ČÁST 1: BEZPEČNOSTNÍ POKYNY

- TENTO SPOTŘEBIČ MOHOU POUŽÍVAT DĚTI VE VĚKU 8 LET A STARŠÍ A OSOBY SE SNÍŽENÝMI FYZICKÝMI, SMYSLOVÝMI NEBO MENTÁLNÍMI SCHOPNOSTMI NEBO S NEDOSTATKEM ZKUŠENOSTÍ A ZNALOSTÍ, POKUD JSOU POD DOZOREM NEBO BYLY POUČENY O POUŽÍVÁNÍ SPOTŘEBIČE BEZPEČNÝM ZPŮSOBEM A ROZUMÍ PŘÍPADNÝM NEBEZPEČÍM.
- DĚTI SI SE SPOTŘEBIČEM NESMĚJÍ HRÁT.
- ČIŠTĚNÍ A ÚDRŽBU PROVÁDĚNOU UŽIVATELEM NESMĚJÍ PROVÁDĚT DĚTI BEZ DOZORU.
- POKUD JE PŘÍVODNÍ KABEL POŠKOZEN, JEHO VÝMĚNU SVĚŘTE ODBORNÉMU SERVISNÍMU STŘEDISKU, ABY SE ZABRÁNILO VZNIKU NEBEZPEČNÉ SITUACE. SPOTŘEBIČ S POŠKOZENÝM PŘÍVODNÍM KABELEM JE ZAKÁZÁNO POUŽÍVAT.

### **DŮLEŽITÉ BEZPEČNOSTNÍ POKYNY ČTĚTE POZORNĚ A USCHOVEJTE PRO BUDOUCÍ POUŽITÍ.**



#### **VÝSTRAHA:**

JSOU-LI DVÍŘKA NEBO TĚSNĚNÍ DVÍŘEK POŠKOZENA, NESMÍ BÝT TROUBA V ČINNOSTI, DOKUD NEBUDE OPRAVENA PROŠKOLENOU OSOBOU.

**VÝSTRAHA:**

JE NEBEZPEČNÉ PRO JAKOUKOLI OSOBU JINOU NEŽ PROŠKOLENOU, ABY PROVÁDĚLA JAKÉKOLI OPRAVY NEBO ÚDRŽBU VEDOUcí K ODSTRANĚNí LIBOVOLNÉHO KRYTU, KTERý ZAJIŠŤUJE OCHRANU PŘED ZÁŘENíM MIKROVLNNÉ ENERGIE.

**VÝSTRAHA:**

KAPALINY A JINÉ POKRMY SE NESMĚJí OHŘíVAT V UZAVŘENýCH NÁDOBÁCH, PROTOŽE JSOU NÁCHYLNÉ K EXPLOZI.

- TENTO SPOTŘEBIČ JE URČEN PRO POUŽITí V DOMÁCNOSTI A PODOBNýCH PROSTORECH, JAKO JSOU:
  - KUCHYŇSKÉ KOUTY V OBCHODECH, KANCELÁŘÍCH A OSTATNÍCH PRACOVNÍCH PROSTŘEDÍCH;
  - V ZEMĚDĚLSTVÍ;
  - HOSTY V HOTELÍCH, MOTELECH A JINýCH OBYTNýCH PROSTŘEDÍCH;
  - V PODNICÍCH ZAJIŠŤUJÍCÍCH NOCLEH SE SNíDANí.
- TATO MIKROVLNNÁ TROUBA JE VESTAVNýM SPOTŘEBIČ, URČENý V ZABUDOVÁNí DO SKŘíŇKY. POŽADAVKY NA MINIMÁLNí ROZMĚRY SKŘíŇKY A PRO JEJí ZABUDOVÁNí JSOU SOUČÁSTí TOHOTO NÁVODU.
- POUŽíVEJTE POUZE NÁDOBY, KTERÉ JSOU VHODNÉ K POUŽITí V MIKROVLNNýCH TROUBÁCH.

- KOVOVÉ NÁDOBY PRO POKRMY A NÁPOJE NEJSOU PRO MIKROVLNNÉ VAŘENÍ DOVOLENY.
- KDYŽ SE OHŘÍVÁ POKRM V NÁDOBÁCH Z PLASTU NEBO PAPIŘU, KONTROLUJTE OBČAS TROUBU, ABY NEDOŠLO KE VZNÍCENÍ.
- MIKROVLNNÁ TROUBA JE URČENA PRO OHŘEV POTRAVIN A NÁPOJŮ. SUŠENÍ POTRAVIN NEBO ODĚVŮ A OHŘEV OHŘÍVACÍCH PODUŠEK, DOMÁCÍ OBUVI, MYCÍCH HUB, VLHKÉHO TEXTILU A PODOBNÝCH VĚCÍ MŮŽE VÉST K NEBEZPEČÍ PORANĚNÍ, VZNÍCENÍ NEBO POŽÁRU.
- POKUD VZNIKÁ KOUŘ, VYPNĚTE SPOTŘEBIČ NEBO VYTÁHNĚTE VIDLICI ZE ZÁSUVKY A NECHTE DVÍŘKA ZAVŘENA, ABY SE ZABRÁNILO ROZŠÍŘENÍ PŘÍPADNÉHO OHNĚ.
- MIKROVLNNÝ OHŘEV NÁPOJŮ MŮŽE ZPŮSOBIT OPOŽDĚNÝ VAR, S ČÍMŽ SE MUSÍ POČÍTAT PŘI DRŽENÍ NÁDOBY.
- OBSAH KOJENECKÝCH LAHVÍ A DĚTSKÉ STRAVY MUSÍ BÝT PROMÍCHÁN NEBO PROTŘEPÁN A MUSÍ SE KONTROLOVAT TEPLOTA PŘED KONZUMACÍ, ABY SE ZABRÁNILO POPÁLENÍ.
- VEJCE VE SKOŘÁPKÁCH A CELÁ NATVRDO UVAŘENÁ VEJCE SE NESMĚJÍ V MIKROVLNNÝCH TROUBÁCH OHŘÍVAT, PROTOŽE MOHOU I PO UKONČENÍ MIKROVLNNÉHO OHŘEVU EXPLODOVAT.

- **PODROBNOSTI PRO ČIŠTĚNÍ TĚSNĚNÍ DVÍŘEK, FUNKČNÍCH PROSTORŮ A PŘILÉHAJÍCÍCH ČÁSTÍ:**
  - TROUBA BY MĚLA BÝT SPRÁVNĚ ČIŠTĚNA A PŘÍPADNÉ ZBYTKY POKRMU ODSTRANĚNY.
  - NEUDRŽOVÁNÍ TROUBY V ČISTOTĚ BY MOHLO VÉST K POŠKOZENÍ POVRCHU, KTERÉ BY MOHLO NEPŘÍZNIVĚ OVLIVNIT ŽIVOTNOST SPOTŘEBIČE A MÍT ZA NÁSLEDEK VZNIK NEBEZPEČNÉ SITUACE.
- **NEPOUŽÍVEJTE TEPLONÍ SONDU.**
- **VĚNUJTE POZORNOST TOMU, ABY OTOČNÁ PODLOŽKA NEZMĚNILA SVOJI POLOHU PŘI VYJÍMÁNÍ NÁDOB ZE SPOTŘEBIČE.**
- **SPOTŘEBIČ SE NESMÍ ČISTIT PARNÍM ČISTIČEM.**
- **MINIMÁLNÍ ROZMĚRY SKŘÍŇKY JSOU SOUČÁSTÍ TOHOTO NÁVODU.**
- **SPOTŘEBIČ MŮŽE BÝT V ČINNOSTI POUZE S OTEVŘENÝMI PŘÍPADNÝMI DEKORATIVNÍMI DVÍŘKY SKŘÍŇKY.**

## ČIŠTĚNÍ

PŘED ZAHÁJENÍM ČIŠTĚNÍ ZAJISTĚTE, ABY BYL NAPÁJECÍ KABEL SPOTŘEBIČE VYTAŽEN ZE SÍTOVÉ ZÁSUVKY.

1. PO POUŽITÍ OČISTĚTE VNITŘNÍ PROSTOR TROUBY MÍRNĚ NAVLHČENÝM HADŘÍKEM.
2. PŘÍSLUŠENSTVÍ TROUBY OČISTĚTE OBVYKLÝM ZPŮSOBEM V MÝDLOVÉ VODĚ.
3. RÁM DVÍŘEK, TĚSNĚNÍ A OKOLNÍ PLOCHY JE NUTNO V PŘÍPADĚ ZNEČIŠTĚNÍ PEČLIVĚ OČISTIT NAVLHČENÝM HADŘÍKEM.
4. NEPOUŽÍVEJTE K ČIŠTĚNÍ SKLA DVÍŘEK TROUBY HRUBÉ ČISTICÍ PROSTŘEDKY S BRUSNÝM ÚČINKEM NEBO OSTRÉ KOVOVÉ ŠKRABKY, ABY NEDOŠLO K POŠKRÁBÁNÍ POVRCHU, KTERÉ BY MOHLO ZPŮSOBIT ROZBITÍ SKLA.
5. TIP NA ČIŠTĚNÍ: STĚNY VNITŘNÍHO PROSTORU, KTERÝCH SE MOHOU DOTÝKAT VAŘENÉ POTRAVINY, MŮŽETE SNADNO VYČISTIT TAKTO: VLOŽTE DO MISKY POLOVINU CITRONU, PŘIDEJTE 300 ML VODY A ZAPNĚTE TROUBU NA 100% MIKROVLNNÝ VÝKON PO 10 MINUT. OČISTĚTE TROUBU JEMNÝM SUCHÝM HADŘÍKEM.



# Kuchyňské nádobí

## Nebezpečí zranění osob

Provádět servis nebo opravy vyžadující demontáž jakéhokoli krytu chránícího před mikrovlnným zářením je nebezpečné pro kohokoliv jiného, než kvalifikovaného servisního technika.

Přečtěte si pokyny v části „Materiály vhodné pro používání v mikrovlnné troubě a Materiály nevhodné pro používání v mikrovlnné troubě“. Může existovat nekovové kuchyňské nádobí, které není vhodné pro použití v mikrovlnné troubě. Pokud máte pochybnosti, můžete takové nádobí otestovat podle níže uvedeného postupu.

Test nádobí:

1. Naplňte nádobu vhodnou do mikrovlnné trouby 1 šálkem (250 ml) studené vody a vložte spolu s testovanou nádobou do trouby.
2. Zapněte troubu na 1 minutu na maximální výkon.
3. Opatrně zkontrolujte testovanou nádobu. Pokud je prázdná nádoba horká, nepoužívejte ji v mikrovlnné troubě.
4. Nenastavujte více jak 1 minutu.

## Materiály vhodné pro používání v mikrovlnné troubě

Kuchyňské nádobí	Poznámky
Pečicí nádoba	Postupujte podle pokynů výrobce. Dno pečicí nádoby musí být alespoň 5 mm nad otočným talířem. Nesprávné použití může způsobit prasknutí otočného talíře.
Stolní nádobí	Pouze vhodné do mikrovlnné trouby. Postupujte podle pokynů výrobce. Nepoužívejte prasklé nebo našťípnuté nádobí.
Sklenice	Vždy sejměte víčko. Používejte pouze pro ohřátí potravin, dokud nejsou teplé. Většina sklenic není teplovzdušná a může se rozbít.
Skleněné nádobí	Pouze teplovzdušné skleněné nádobí vhodné do mikrovlnné trouby. Zajistěte, aby nemělo žádný kovový lem. Nepoužívejte prasklé nebo našťípnuté nádobí.
Sáčky pro vaření v troubě	Postupujte podle pokynů výrobce. Neuzavírejte kovovým poutkem. Vytvořte zářezy, aby mohla pára volně unikat.
Papírové talíře a šálky	Používejte pouze pro krátkodobé vaření/ohřev. Nenechávejte troubu během vaření bez dozoru.
Papírové utěrky	Používejte je pro zakrytí potravin pro opětovný ohřev a absorpci tuku. Používejte pod dozorem pouze pro krátkodobé vaření.
Pergamenový papír	Používejte jako kryt pro zamezení postříkání nebo zabalení pro vaření v páře.

Plastové nádobí	Pouze vhodné do mikrovlnné trouby. Postupujte podle pokynů výrobce. Nádobí by mělo být označeno nápisem „Vhodné do mikrovlnné trouby“ (Microwave Safe). Některé plastové nádoby mohou po zahřátí potravin uvnitř těchto nádob změkknout. „Varné sáčky“ a těsně uzavřené igelitové sáčky by měly mít zářezy, propíchnutí nebo odvětrávání podle pokynů na obalu.
Plastová obalová fólie	Pouze vhodné do mikrovlnné trouby. Používejte pro zakrytí potravin během vaření pro zachování vlhkosti. Nedovolte, aby se plastová obalová fólie dotýkala potravin.
Teploměry	Pouze vhodné do mikrovlnné trouby (teploměry na maso a cukrovinky).
Voskový papír	Používejte jako kryt pro zamezení postříkání a zachování vlhkosti.

## Materiály nevhodné pro používání v mikrovlnné troubě

Kuchyňské nádobí	Poznámky
Hliníkové tácky	Mohou v troubě zapříčinit jiskření. Přemístěte potraviny na talíř vhodný do mikrovlnné trouby.
Potravinové kartóny s kovovou rukojetí	Mohou v troubě zapříčinit jiskření. Přemístěte potraviny na talíř vhodný do mikrovlnné trouby.
Kovové nádobí nebo nádobí s kovovým lemem	Kov odstiňuje potraviny od mikrovlnné energie. Kovový lem může způsobovat jiskření.
Kovové stužky	Mohou způsobovat jiskření a mohou způsobit požár uvnitř mikrovlnné trouby.
Papírové sáčky	Mohou způsobit požár uvnitř trouby.
Plastiková pěna	Plastiková pěna se může vlivem vysoké teploty roztavit nebo kontaminovat tekutinu uvnitř nádoby.
Dřevo	Dřevo se v mikrovlnné troubě vysuší a může se rozštípnout nebo prasknout.

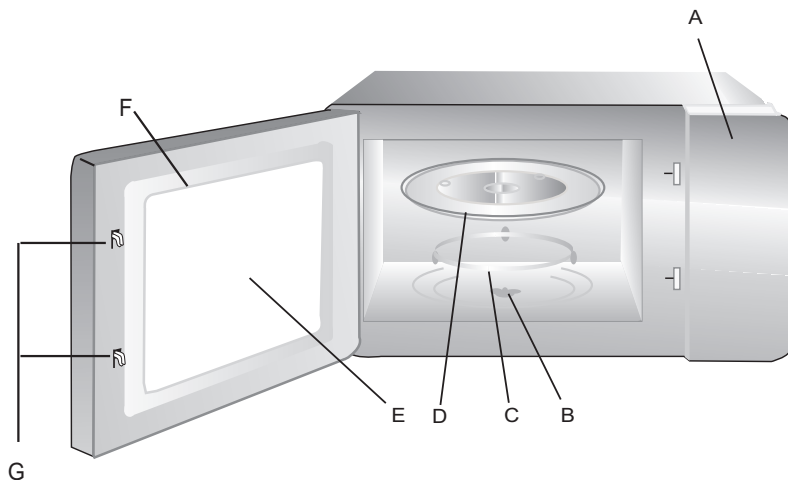
## ČÁST 2: INSTALACE TROUBY

### Názvy dílů a příslušenství trouby

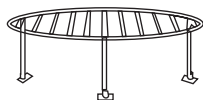
Vyjměte troubu a všechny materiály z krabice a vnitřního prostoru trouby.

Vaše mikrovlnná trouba je dodávána s následujícími příslušenstvími:

Skleněný talíř	1
Vodítko otočného talíře	1
Návod k obsluze	1

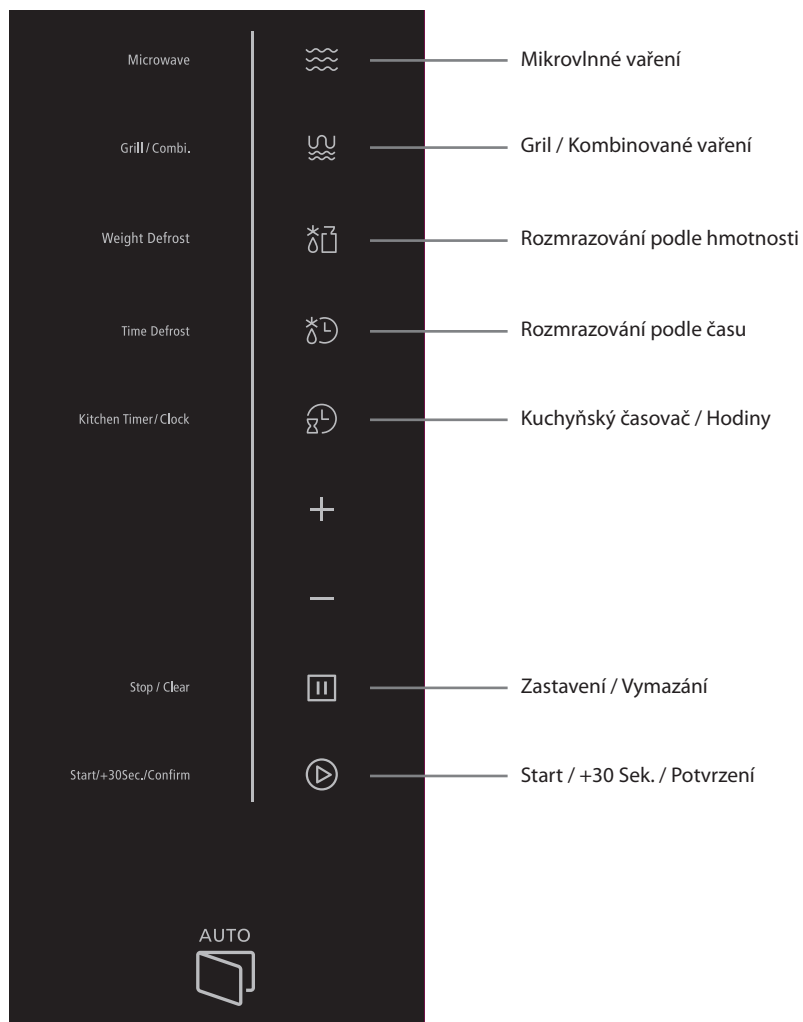


- A) Ovládací panel
- B) Hřídel otočného talíře
- C) Vodítko otočného talíře
- D) Skleněný talíř
- E) Pozorovací okno
- F) Dvířka
- G) Bezpečnostní zamykací systém

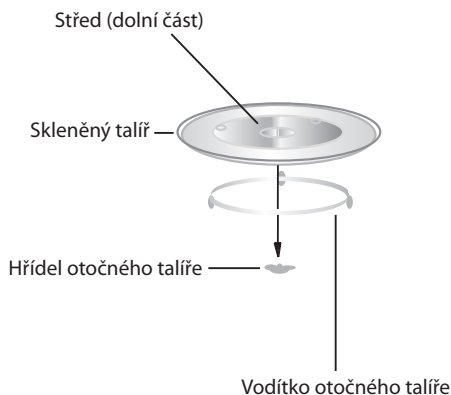


Grilovací mřížka (používejte pouze s funkcí grilu a umístěte ji na skleněný talíř).

## Ovládací panel



## Instalace otočného talíře



- Nikdy nevkládejte skleněný talíř obráceně. Skleněný talíř by neměl být nikdy omezován v pohybu.
- Při vaření musí být vždy použit skleněný talíř i vodítko otočného talíře.
- Všechny potraviny a nádoby s potravinami se při vaření vždy pokládají na skleněný talíř.
- Pokud se skleněný talíř nebo vodítko otočného talíře rozbije nebo praskne, obraťte se na nejbližší autorizované servisní středisko.

## Instalace a připojení

- Tento spotřebič je určen pouze pro použití v domácnosti.
- Tento spotřebič je určen pouze k zabudování. Není určen pro použití na pracovní desku nebo na umístění na polici.
- Dodržte speciální pokyny k instalaci.
- Spotřebič nainstalujte do 60 cm široké nástěnné skříňky.
- Spotřebič je vybaven zástrčkou a musí být připojen pouze k řádně nainstalované uzemněné zásuvce.
- Síťové napětí musí odpovídat napětí uvedenému na typovém štítku.
- Zásuvka musí být namontována a přípojný kabel musí být vyměněn pouze kvalifikovaným elektrikářem. Pokud zástrčka po instalaci není přístupná, musí být v elektroinstalaci přítomny odpojovací zařízení s odpojováním všech pólů a s mezerou mezi kontakty nejméně 3 mm.
- Nepoužívejte adaptéry a prodlužovací kabely. Při přetížení hrozí riziko požáru.



Povrch spotřebiče může být během provozu horký.

## ČÁST 3: POKYNY K INSTALACI

**Před instalací si pozorně přečtěte návod k obsluze.**

### **Veźměte prosím na vědomí**

#### **Elektrické připojení**

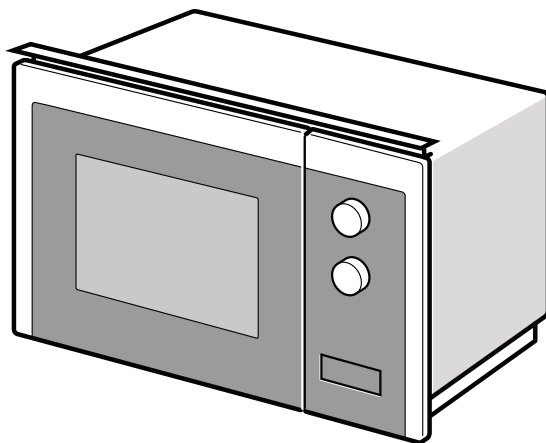
Spotřebič je vybaven zástrčkou a musí být připojen pouze k řádně nainstalované uzemněné zásuvce. Instalovat zásuvku nebo vyměnit napájecí kabel může pouze kvalifikovaný elektrikář, který dodržuje příslušné předpisy. Pokud zástrčka po instalaci není přístupná, musí být v elektroinstalaci přítomny odpojovací zařízení s odpojováním všech pólů a s mezerou mezi kontakty nejméně 3 mm. Instalace musí zajistit ochranu kontaktů.

#### **Montáž spotřebiče**

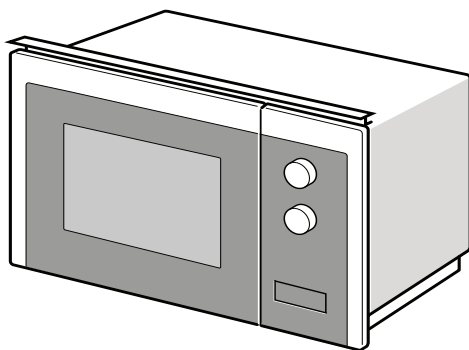
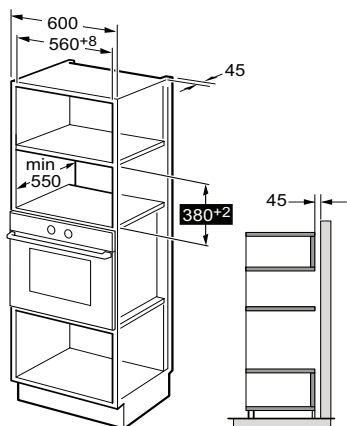
Skříňka, do které instalujete spotřebič nesmí mít zadní panel.  
Minimální výška instalace: 850 mm.  
Ventilační otvory a otvory pro přívod vzduchu nesmí být zakryty.

#### **Instalace spotřebiče - obr. 2**

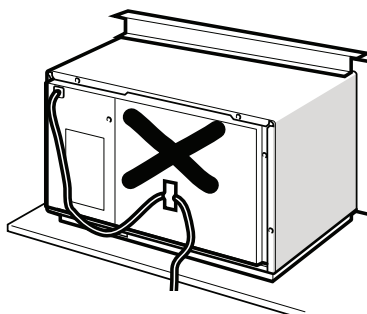
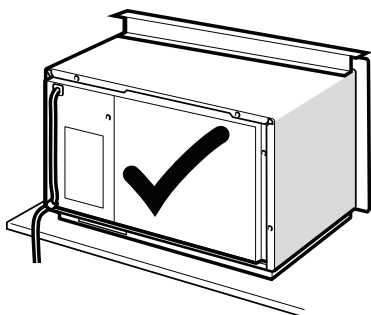
**Poznámka:** Síťový kabel nepřichytávejte ani nezalamujte.

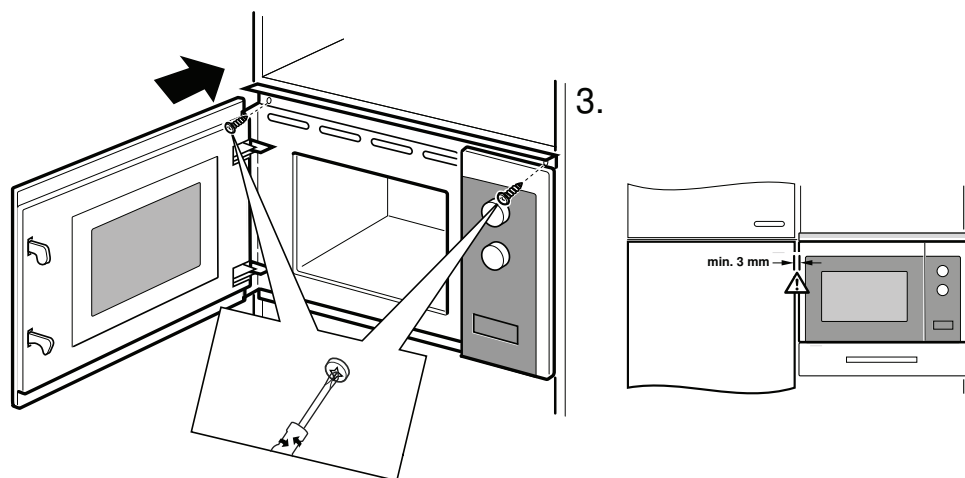
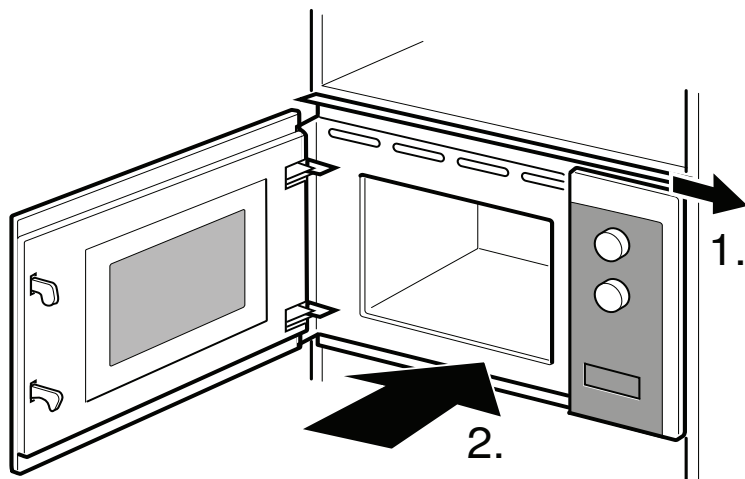


# 1



# 2







## ČÁST 4: OBSLUHA

Tato mikrovlnná trouba používá k nastavení parametrů vaření moderní elektronické ovládání tak, aby vyhovovaly vašim potřebám při vaření.

### 1. Nastavení hodin

Když mikrovlnnou troubu připojíte k elektrické energii, objeví s „0:00“ a bzučák jednou zazvoní. Trouba přejde do pohotovostního stavu.

- 1) Stiskněte dvakrát „Kitchen Timer/Clock“, číslice hodin budou blikat.
- 2) Stisknutím tlačítka „-“ nebo „+“ upravte hodnoty hodin, vstupní čas by měl být v rozsahu 0–23.
- 3) Potvrďte stisknutím „Kitchen Timer/Clock“, číslice minut budou blikat.
- 4) Otáčením „-“ nebo „+“ upravte hodnotu minut, vstupní čas by měl být v rozmezí 0–59.
- 5) Stisknutím tlačítka „Kitchen Timer/Clock“ dokončíte nastavení hodin.  
„-“ bude blikat. Zobrazí se aktuální čas.

Poznámka: Pokud hodiny nejsou nastaveny, nebudou fungovat při zapnutí mikrovlnné trouby.

### 2. Mikrovlnné vaření

- 1) Stiskněte jednu tlačítka „Microwave“ a zobrazí se „P100“.
- 2) Opakovaným stisknutím tlačítka „Microwave“ nebo stisknutím tlačítka „-“ nebo „+“ vyberte výkon mikrovlnné trouby.  
„P100“, „P80“, „P50“, „P30“, „P10“ se zobrazí v pořadí.
- 3) Stisknutím tlačítka „Start/+30 Sec./Confirm“ potvrďte nastavení.
- 4) Stisknutím tlačítka „-“ nebo „+“ nastavte čas vaření.  
(Maximální doba vaření je 95 minut)
- 5) Stisknutím tlačítka „Start/+30 Sec./Confirm“ spustíte vaření.

POZNÁMKA: Jednotlivé kroky pro nastavení času vaření jsou následující:

0 - 1 min:	5 sekund
1 - 5 min:	10 sekund
5 - 10 min:	30 sekund
10 - 30 min:	1 minuta
30 - 95 min:	5 minut

Tabulka hodnot mikrovlnné energie

Výkon	High	Med.High	Med.	Med.Low	Low
Zobrazení	P100	P80	P50	P30	P10

### 3. Gril nebo Kombinované vaření

Stiskněte jednou „Grill/Combi“. Na obrazovce se zobrazí „G“ a opakovaným stisknutím „Grill/Combi.“ nebo stisknutím „-“ nebo „+“ vyberte požadovaný výkon. Na displeji se zobrazí „G“, „C-1“ nebo „C-2“. Stisknutím „Start/+30 Sec./Confirm“ potvrďte nastavení výkonu. Stisknutím „-“ nebo „+“ nastavte čas vaření. (Maximální doba vaření je 95 minut) Opětovným stisknutím „Start/+30 Sec./Confirm“ spustíte vaření.

Příklad: Chcete-li použít 55 % mikrovlnného výkonu a 45 % výkonu grilu (C-1) na 10minutové vaření, postupujte takto.

- 1) Jednou stiskněte „Grill/Combi“, na displeji se zobrazí „G“.
- 2) Pokračujte v opakovaném stisknutí tlačítka „Grill/Combi“, dokud se na displeji nezobrazí „C-1“.
- 3) Potvrďte stisknutím „Start/+30 Sec./Confirm“.
- 4) Stisknutím tlačítka „-“ nebo „+“ nastavujte čas vaření, dokud se na displeji nezobrazí „10:00“.
- 5) Stisknutím tlačítka „Start/+30 Sec./Confirm“ spustíte vaření.

Tabulka kombinovaných programů:

Program	Zobrazení	Mikrovlnný výkon	Výkon grilu
Grill	G	0%	100%
Combi.1	C-1	55%	45%
Combi.2	C-2	36%	64%

Poznámka: Když uplyne polovina doby grilování, trouba dvakrát zazvoní, je to normální. K dosažení lepšího účinku grilování potravin byste měli jídlo otočit, zavřít dvířka a pak pokračovat ve vaření stisknutím tlačítka „Start/+30 Sec./Confirm“. Pokud neprovedete žádnou činnost, trouba bude dále pracovat.

### 4. Rozmrazování podle hmotnosti

- 1) Stiskněte jednou „Weight Defrost“, na displeji se zobrazí „dEF1“.
- 2) Stisknutím tlačítka „-“ nebo „+“ zadejte hmotnost potravin. Rozsah hmotnosti je 100 – 2000 g.
- 3) Stisknutím tlačítka „Start/+30Sec./Confirm“ spustíte rozmrazování.

Poznámka: Když uplyne polovina času rozmrazování, trouba dvakrát zazvoní, je to normální. Pokud chcete dosáhnout lepšího účinku rozmrazování, měli byste jídlo otočit, zavřít dvířka a pak pokračovat ve vaření stisknutím tlačítka „Start/+30 Sec./Confirm“. Pokud neprovedete žádnou činnost, trouba bude dále pracovat.

## 5. Rozmrazování podle času

- 1) Jednou stiskněte „Time Defrost“, na displeji se zobrazí „dEF2“.
- 2) Stisknutím tlačítka „-“ nebo „+“ nastavte čas vaření. Maximální doba vaření je 95 minut.
- 3) Stisknutím tlačítka „Start/+30 Sec./Confirm“ spustíte rozmrazování.

Poznámka: Když uplyne polovina času rozmrazování, trouba dvakrát zazvoní, je to normální. Pokud chcete dosáhnout lepšího účinku rozmrazování, měli byste jídlo otočit, zavřít dvířka a pak pokračovat ve vaření stisknutím tlačítka „Start/+30 Sec./Confirm“. Pokud neprovedete žádnou činnost, trouba bude dále pracovat.

## 6. Vaření ve více krocích

Maximálně lze nastavit 2 kroky. Pokud je jeden z kroků rozmrazování, musí být automaticky vložen jako první krok. Bzučák jednou zazvoní po každém kroku a začne další krok. Poznámka: Automatické menu a rychlé vaření nelze nastavit jako jeden z kroků.

Příklad: Chcete-li jídlo rozmrazovat 5 minut a poté vařit s 80 % mikrovlnného výkonu 7 minut.

Postupujte následovně:

- 1) Jednou stiskněte „Time Defrost“, na displeji se zobrazí „dEF2“.
- 2) Stisknutím tlačítka „-“ nebo „+“ nastavíte čas rozmrazování na 5 minut.
- 3) Jednou stiskněte „Microwave“, na displeji se zobrazí „P100“.
- 4) Opakovaným stisknutím tlačítka „Microwave“ nastavujete mikrovlnný výkon, dokud se nezobrazí „P80“.
- 5) Potvrďte stisknutím tlačítka „Start/+30 Sec./Confirm“.
- 5) Stisknutím tlačítka „-“ nebo „+“ nastavte dobu vaření na 7 minut.
- 7) Stisknutím tlačítka „Start/+30 Sec./Confirm“ spustíte vaření.

## 7. Kuchyňský časovač

- 1) Jednou stiskněte „Kitchen Timer/Clock“, na displeji se zobrazí „00:00“.
- 2) Stisknutím tlačítka „-“ nebo „+“ vyberte správný časovač.  
(Maximální doba vaření je 95 minut)
- 3) Stisknutím tlačítka „Start/+30 Sec./Confirm“ potvrďte nastavení.
- 4) Po dosažení času bzučák zazvoní 5krát.  
Pokud jsou nastaveny hodiny (24hodinový systém), na displeji se zobrazí aktuální čas.

Poznámka: Kuchyňský časovač se liší od 24hodinového systému.

## 8. Auto Menu

- 1) V pohotovostním režimu stiskněte opakovaně tlačítko „+“ a zvolte nabídku.
- 2) Stisknutím tlačítka „Start/+30 Sec./Confirm“ potvrďte výběr nabídky.
- 3) Stisknutím tlačítka „-“ nebo „+“ zadejte hmotnost potravin.
- 4) Stisknutím tlačítka „Start/+30 Sec./Confirm“ spustíte vaření.


Tabulka programů:

Menu	Hmotnost	Výkon
Pizza	200 g	C-2
	400 g	
Maso	250 g	100% (Mikrovlny)
	350 g	
	450 g	
Zelenina	200 g	100% (Mikrovlny)
	300 g	
	400 g	
Těstoviny	50 g (se 450 g studené vody)	80% (Mikrovlny)
	100 g (s 800 g studené vody)	
Brambory	200 g	100% (Mikrovlny)
	400 g	
	600 g	
Ryby	250 g	80% (Mikrovlny)
	350 g	
	450 g	
Nápoje	1 sklenice (přibližně 120 ml)	100% (Mikrovlny)
	2 sklenice (přibližně 240 ml)	
	3 sklenice (přibližně 360 ml)	
Popcorn	50 g	100% (Mikrovlny)
	100 g	

## 9. Rychlé vaření

- 1) V pohotovostním režimu stiskněte tlačítko „Start/+30 Sec./Confirm“ pro vaření se 100% výkonem na 30 sekund. Každé stisknutí tohoto tlačítka zvýší čas o 30 vteřin. Maximální doba vaření je 95 minut.
- 2) Během mikrovlnného vaření, grilování, kombinovaného vaření a rozmrazování podle času stisknutím „Start/+30 Sec./Confirm“ prodloužíte čas přípravy.
- 3) V programech auto menu a rozmrazování podle hmotnosti není možné prodloužit čas vaření stisknutím tlačítka „Start/+30 Sec./Confirm“.
- 4) V pohotovostním režimu stisknutím tlačítka „-“ nastavte čas vaření. Po nastavení času vaření stisknutím tlačítka „Start/+30 Sec./Confirm“ spusťte vaření v mikrovlnné troubě na 100% výkonu.

## 10. Funkce dětského zámku

Uzamčení: V pohotovostním režimu stisknutím „STOP / Clear“ na 3 sekundy vstoupíte do režimu dětského zámku. Na displeji se zobrazí aktuální čas, pokud byl nastaven, pokud ne na displeji se zobrazí „“.

Odemknutí: V pohotovostním režimu stiskněte „STOP / Clear“, zámek se deaktivuje.

## 11. Informační funkce

- 1) Během vaření mikrovlnami, grilem nebo během kombinovaného vaření se po stisknutí tlačítka „Microwave“ nebo „Grill/Combi.“, na 3 sekundy zobrazí aktuální výkon.
- 2) Pokud jste nastavili hodiny, stisknutím tlačítka „Kitchen Timer/Clock“ během vaření se na 3 sekundy zobrazí aktuální čas.

## 12. Specifikace

- 1) Pokud během vaření otevřete dvířka, po jejich zavření pokračujte ve vaření stisknutím tlačítka „Start/+30 Sec./Confirm“.
- 2) Pokud po nastavení programu vaření do 1 minuty nestisknete tlačítko „Start/+30 Sec./Confirm“, zobrazí aktuální čas a nastavení bude zrušeno.
- 3) Pro potvrzení Bzučák jednou zazvoní. Pokud nezazvoní, program není potvrzen.

## 13. Otevření dvířek trouby

Stisknutím tlačítka „“ otevřete dvířka trouby.

## ČÁST 5: ŘEŠENÍ PROBLÉMŮ

Normální	
Mikrovlnná trouba ovlivňuje příjem TV.	Příjem rádia a TV může být rušen provozem mikrovlnné trouby. Je to podobné jako rušení malými elektrickými spotřebiči, jako je mixér, vysavač a elektrický vysoušeč vlasů. Jedná se o normální jev.
Světlo uvnitř trouby svítí tlumeně.	Při mikrovlnném vaření s nízkým výkonem se může osvětlení trouby ztlumit. Jedná se o normální jev.
Pára na dvířkách, horký vzduch stoupá z větracích otvorů.	Během vaření se může z jídla uvolňovat pára. Většina páry unikne právě větracími otvory. Ale část páry se může srážet na chladnějších částech trouby, jako například na dvířkách. Jedná se o normální jev.
Trouba byla náhodně zapnuta bez vložených potravin.	Je zakázáno spouštět troubu bez vložených potravin. Je to velmi nebezpečné.

Problém	Možná příčina	Řešení
Troubu nelze zapnout.	(1) Zástrčka napájecího kabelu není pevně zapojena do síťové zásuvky.	Odpojte spotřebič ze síťové zásuvky. Po 10 sekundách jej znovu připojte.
	(2) Pojistka je přetavená nebo sepnul jistič.	Vyměňte pojistku nebo resetujte jistič (opravu smí provádět pouze kvalifikovaná osoba).
	(3) Problémy se zásuvkou.	Otestujte zásuvku s jiným spotřebičem.
Trouba nehřeje.	(4) Dvířka nejsou správně zavřena.	Zavřete dvířka.



Podle nařízení o likvidaci elektrických a elektronických zařízení (WEEE) je třeba taková zařízení likvidovat odděleně a třídit je. Pokud potřebujete zařízení zlikvidovat, v žádném případě jej NEVYHAZUJTE do běžného domovního odpadu. Předajte takový výrobek na sběrné místo, kde bude zlikvidován podle nařízení WEEE.

## ČÁST 6: TECHNICKÉ ÚDAJE

Model:	PMD 258 BIX
Jmenovité napětí:	230 V ~ 50 Hz
Jmenovitý příkon (mikrovlny):	1450 W
Jmenovitý výstupní výkon (mikrovlny):	900 W
Jmenovitý příkon (gril):	1000 W
Kapacita trouby:	25 l
Průměr otočného talíře:	ø 315 mm
Vnější rozměry:	594 x 403 x 382 mm
Čistá hmotnost:	17,83 kg

# POKYNY A INFORMACE TÝKAJÍCÍ SE LIKVIDACE POUŽITÝCH OBALOVÝCH MATERIÁLŮ

Obalové materiály zlikvidujte na veřejném místě pro likvidaci odpadu.

## LIKVIDACE POUŽITÝCH ELEKTRICKÝCH A ELEKTRONICKÝCH SPOTŘEBIČŮ



Význam symbolu na výrobku, jeho příslušenství nebo obalu znamená, že s tímto výrobkem nesmí být zacházeno jako s komunálním odpadem. Tento výrobek zlikvidujte na příslušném sběrném místě pro recyklaci odpadu z elektrických a elektronických zařízení. Popřípadě je možné v některých státech Evropské unie nebo jiných evropských státech vrátit své výrobky místnímu prodejci, v případě koupě obdobného nového výrobku. Správná likvidace tohoto výrobku pomůže ušetřit cenné přírodní zdroje a pomoci při prevenci případného negativního vlivu na životní prostředí a lidské zdraví, ke kterému by mohlo dojít v důsledku nesprávné likvidace odpadu. Podrobnější informace získáte od místního úřadu nebo v nejbližším středisku pro sběr odpadu. Nesprávná likvidace tohoto typu odpadu může podléhat vnitrostátním předpisům o pokutách.

### Pro podnikatelské subjekty v Evropské unii

Chcete-li zlikvidovat elektrické nebo elektronické zařízení, vyžádejte si potřebné informace od svého prodejce nebo dodavatele.

### Likvidace v jiných státech mimo Evropské unie

Chcete-li zlikvidovat tento výrobek, vyžádejte si potřebné informace o správném způsobu likvidace od místních úřadů nebo svého prodejce.



Tento výrobek splňuje všechny základní požadavky nařízení EU, které se na něj vztahují.

Změny v textu, designu a technických údajích se mohou vyskytnout bez předchozího upozornění a vyhražujeme si právo provést tyto změny.



# MIKROVLNNÁ RÚRA

NÁVOD NA OBSLUHU

**PHILCO**



*Famous for Quality the World Over*

**PMD 258 BIX**

**Vážený zákazník,  
Ďakujeme, že ste si kúpili výrobok značky PHILCO. Aby mohol váš spotrebič slúžiť dobre, prečítajte si všetky pokyny uvedené v tomto návode na obsluhu.**

# OBSAH

<b>ČASŤ 1: BEZPEČNOSTNÉ POKYNY .....</b>	<b>2</b>
Kuchynský riad .....	7
Materiály vhodné na používanie v mikrovlnnej rúre .....	7
Materiály nevhodné na používanie v mikrovlnnej rúre .....	8
<b>ČASŤ 2: INŠTALÁCIA RÚRY .....</b>	<b>9</b>
Názvy dielov a príslušenstva rúry.....	9
Ovládací panel.....	10
Inštalácia otočného taniera .....	11
Inštalácia a pripojenie.....	11
<b>ČASŤ 3: POKYNY NA INŠTALÁCIU .....</b>	<b>12</b>
<b>ČASŤ 4: OBSLUHA .....</b>	<b>15</b>
1. Nastavenie hodín .....	15
2. Mikrovlnné varenie .....	15
3. Gril alebo Kombinované varenie .....	16
4. Rozmrazovanie podľa hmotnosti.....	16
5. Rozmrazovanie podľa času .....	17
6. Varenie vo viacerých krokoch.....	17
7. Kuchynský časovač.....	17
8. Auto Menu .....	17
9. Rýchle varenie.....	18
10. Funkcia detskej zámky .....	18
11. Informačná funkcia.....	19
12. Špecifikácia.....	19
13. Otvorenie dvierok rúry.....	19
<b>ČASŤ 5: RIEŠENIE PROBLÉMOV .....</b>	<b>20</b>
<b>ČASŤ 6: TECHNICKÉ ÚDAJE .....</b>	<b>21</b>
POKYNY A INFORMÁCIE TÝKAJÚCE SA LIKVIDÁCIE POUŽITÝCH OBALOVÝCH MATERIÁLOV .....	22
LIKVIDÁCIA POUŽITÝCH ELEKTRICKÝCH A ELEKTRONICKÝCH SPOTREBIČOV .....	22



Zariadenie bolo testované podľa platných smerníc Európskej únie. Zariadenie vyhovuje bezpečnostným ustanoveniam platným pre elektrické spotrebiče v Európskej únii.

## ČASŤ 1: BEZPEČNOSTNÉ POKYNY

- TENTO SPOTREBIČ MÔŽU POUŽÍVAŤ DETI VO VEKU OD 8 ROKOV A STARŠIE A OSOBY SO ZNÍŽENÝMI FYZICKÝMI, ZMYSLOVÝMI ALEBO MENTÁLNYMI SCHOPNOSŤAMI ALEBO S NEDOSTATKOM SKÚSENOSTÍ A VEDOMOSTÍ, POKIAĽ SÚ POD DOZOROM ALEBO BOLI POUČENÉ O POUŽÍVANÍ SPOTREBIČA BEZPEČNÝM SPÔSOBOM A ROZUMEJÚ PRÍPADNÝM NEBEZPEČENSTVÁM.
- DETI SA SO SPOTREBIČOM NESMÚ HRAŤ.
- ČISTENIE A ÚDRŽBU VYKONÁVANÚ POUŽÍVATEĽOM NESMÚ VYKONÁVAŤ DETI BEZ DOZORU.
- POKIAĽ JE PRÍVODNÝ KÁBEL POŠKODENÝ, JEHO VÝMENU ZVERTE ODBORNÉMU SERVISNÉMU STREDISKU, ABY SA ZABRÁNILO VZNIKU NEBEZPEČNEJ SITUÁCIE. SPOTREBIČ S POŠKODENÝM PRÍVODNÝM KÁBLOM JE ZAKÁZANÉ POUŽÍVAŤ.

### **DÔLEŽITÉ BEZPEČNOSTNÉ POKYNY ČÍTAJTE POZORNE A USCHOVAJTE PRE BUDÚCE POUŽITIE.**



#### **VAROVANIE:**

POKIAĽ SÚ DVIERKA ALEBO TESNENIE DVIEROK POŠKODENÉ, NESMIE BYŤ RÚRA V PREVÁDZKE, POKÝM NEBUDE OPRAVENÁ VYŠKOLENOU OSOBOU.

**VAROVANIE:**

JE NEBEZPEČNÉ PRE AKÚKOĽVEK OSOBU INÚ NEŽ VYŠKOLENÚ, ABY VYKONÁVALA AKÉKOĽVEK OPRAVY ALEBO ÚDRŽBU VEDÚCU K ODSTRÁNENIU ĽUBOVOĽNÉHO KRYTU, KTORÝ ZAISŤUJE OCHRANU PRED ŽIARENÍM MIKROVLNNEJ ENERGIE.

**VAROVANIE:**

KVAPALINY A INÉ POKRMY SA NESMÚ OHRIEVAŤ V UZATVORENÝCH NÁDOBÁCH, PRETOŽE BY MOHLI EXPLODOVAŤ.

- TENTO SPOTREBIČ JE URČENÝ NA POUŽITIE V DOMÁCNOSTI A PODOBNÝCH PRIESTOROCH, AKO SÚ:
  - MALÉ KUCHYNKY V OBCHODOCH, KANCELÁRIÁCH A OSTATNÝCH PRACOVNÝCH PROSTREDIACH;
  - V POĽNOHOSPODÁRSTVE;
  - HOŠŤAMI V HOTELOCH, MOTELOCH A INÝCH UBYTOVACÍCH PROSTREDIACH;
  - V PODNIKOKCH ZAISŤUJÚCICH NOČLAH S RAŇAJKAMI.
- TÁTO MIKROVLNNÁ RÚRA JE VSTAVANÝ SPOTREBIČ, URČENÝ NA ZABUDOVANIE DO SKRINKY. POŽIADAVKY NA MINIMÁLNE ROZMERY SKRINKY A PRE JEJ ZABUDOVANIE SÚ SÚČASŤOU TOHOTO NÁVODU.
- POUŽÍVAJTE IBA NÁDOBY, KTORÉ SÚ VHODNÉ NA POUŽITIE V MIKROVLNNÝCH RÚRACH.

- KOVOVÉ NÁDOBY PRE POKRMY A NÁPOJE NIE SÚ PRE MIKROVLNNÉ VARENIE POVOLENÉ.
- KEĎ SA OHRIEVA POKRM V NÁDOBÁCH Z PLASTU ALEBO PAPIERA, KONTROLUJTE OBČAS RÚRU, ABY NEDOŠLO KU VZNIETENIU.
- MIKROVLNNÁ RÚRA JE URČENÁ NA OHREV POTRAVÍN A NÁPOJOV. SUŠENIE POTRAVÍN ALEBO ODEVOV A OHREV VYHRIEVACÍCH PODUŠIEK, DOMÁCEJ OBUVI, ČISTIACICH ŠPONGII, VLHKÉHO TEXTILU A PODOBNÝCH VECÍ MÔŽE VIESŤ K NEBEZPEČENSTVU PORANENIA, VZNIETENIU ALEBO POŽIARU.
- POKIAĽ VZNIKÁ DYM, VYPNITE SPOTREBIČ ALEBO VYTIAHNITE ZÁSTRČKU ZO ZÁSUVKY A NECHAJTE DVIERKA ZATVORENÉ, ABY SA ZABRÁNILO ROZŠÍRENIU PRÍPADNÉHO OHŇA.
- MIKROVLNNÝ OHREV NÁPOJOV MÔŽE SPÔSOBIŤ ONESKORENÉ VARENIE, S ČÍM SA MUSÍ POČÍTAŤ PRI DRŽANÍ NÁDOBY.
- OBSAH DOJČENSKÝCH FLIAŠ A DETSKEJ STRAVY MUSÍ BYŤ PREMIEŠANÝ ALEBO PRETREPANÝ A MUSÍ SA KONTROLOVAŤ TEPLOTA PRED KONZUMÁCIOU, ABY SA ZABRÁNILO POPÁLENIU.
- VAJCIA V ŠKRUPINE A CELÉ NATVRDO UVARENÉ VAJCIA SA NESMÚ V MIKROVLNNÝCH RÚRACH OHRIEVAŤ, PRETOŽE MÔŽU AJ PO UKONČENÍ MIKROVLNNÉHO OHREBU EXPLODOVAŤ.

- **PODROBNOSTI NA ČISTENIE TESNENIA DVIEROK, FUNKČNÝCH PRIESTOROV A PRILIEHAJÚCICH ČASTÍ:**
  - RÚRA BY MALA BYŤ SPRÁVNE ČISTENÁ A PRÍPADNÉ ZVYŠKY POKRMU BY MALI BYŤ ODSTRÁNENÉ.
  - NEUDRŽIAVANIE RÚRY V ČISTOTE BY MOHLO VIESŤ K POŠKODENIU POVRCHU, KTORÉ BY MOHLO NEPRIAZNIVO OVPLYVNIŤ ŽIVOTNOSŤ SPOTREBIČA A MAŤ ZA NÁSLEDOK VZNIK NEBEZPEČNEJ SITUÁCIE.
- **NEPOUŽÍVAJTE TEPLTNÚ SONDU.**
- **VENUJTE POZORNOSŤ TOMU, ABY OTOČNÁ PODLOŽKA NEZMENILA SVOJU POLOHU PRI VYBERANÍ NÁDOB ZO SPOTREBIČA.**
- **SPOTREBIČ SA NESMIE ČISTIŤ PARNÝM ČISTIČOM.**
- **MINIMÁLNE ROZMERY SKRINKY SÚ SÚČASŤOU TOHTO NÁVODU.**
- **SPOTREBIČ MÔŽE BYŤ V ČINNOSTI IBA S OTVORENÝMI PRÍPADNÝMI DEKORATÍVNÝMI DVIERKAMI SKRINKY.**

## ČISTENIE

PRED ZAČATÍM ČISTENIA ZAISTITE, ABY BOL NAPÁJACÍ KÁBEL SPOTREBIČA VYTIAHNUTÝ ZO SIEŤOVEJ ZÁSUVKY.

1. PO POUŽITÍ OČISTITE VNÚTORNÝ PRIESTOR RÚRY MIERNE NAVLHČENOU UTIERKOU.
2. PRÍSLUŠENSTVO RÚRY OČISTITE OBVYKLÝM SPÔSOBOM V MYDLOVEJ VODE.
3. RÁM DVIEROK, TESNENIE A OKOLITÉ PLOCHY JE NUTNÉ V PRÍPADE ZNEČISTENIA DÔKLADNE OČISTIŤ NAVLHČENOU UTIERKOU.
4. NEPOUŽÍVAJTE NA ČISTENIE SKLA DVIEROK RÚRY HRUBÉ ČISTIACE PROSTRIEDKY S BRÚSNYM ÚČINKOM ALEBO OSTRÉ KOVOVÉ ŠKRABKY, ABY NEDOŠLO K POŠKRIABANIU POVRCHU, KTORÉ BY MOHLO SPÔSOBIŤ ROZBITIE SKLA.
5. TIP NA ČISTENIE: STENY VNÚTORNÉHO PRIESTORU, KTORÝCH SA MÔŽU DOTÝKAŤ VARENÉ POTRAVINY, MÔŽETE JEDNODUCHO VYČISTIŤ TAKTO: VLOŽTE DO MISKY POLOVICU CITRÓNA, PRIDAJTE 300 ML VODY A ZAPNITE RÚRU NA 100 % MIKROVLNNÝ VÝKON NA 10 MINÚT. OČISTITE RÚRU JEMNOU SUCHOU UTIERKOU.



# Kuchynský riad

## Nebezpečenstvo zranenia osôb

Vykonávať servis alebo opravy vyžadujúce demontáž akéhokoľvek krytu chrániaceho pred mikrovlnným žiarením je nebezpečné pre kohokoľvek iného než kvalifikovaného servisného technika.

Prečítajte si pokyny v časti „Materiály vhodné na používanie v mikrovlnnej rúre a Materiály nevhodné na používanie v mikrovlnnej rúre“. Môže existovať nekovový kuchynský riad, ktorý nie je vhodný na použitie v mikrovlnnej rúre. Ak máte pochybnosti, môžete taký riad otestovať podľa nižšie uvedeného postupu.

Test riadu:

1. Naplňte nádobu vhodnú do mikrovlnnej rúry 1 šálkou (250 ml) studenej vody a vložte spolu s testovanou nádobou do rúry.
2. Zapnite rúru na 1 minútu na maximálny výkon.
3. Opatrne skontrolujte testovanú nádobu. Ak je prázdna nádoba horúca, nepoužívajte ju v mikrovlnnej rúre.
4. Nenastavujte viac ako 1 minútu.

## Materiály vhodné na používanie v mikrovlnnej rúre

Kuchynský riad	Poznámky
Nádoba na pečenie	Postupujte podľa pokynov výrobcu. Dno nádoby na pečenie musí byť aspoň 5 mm nad otočným tanierom. Nesprávne použitie môže spôsobiť prasknutie otočného taniera.
Stolový riad	Iba vhodný do mikrovlnnej rúry. Postupujte podľa pokynov výrobcu. Nepoužívajte prasknutý alebo naštrbený riad.
Pohár	Vždy odstráňte viečko. Používajte iba na ohriatie potravín, kým nie sú teplé. Väčšina pohárov nie je teplovzdorná a môže sa rozbiť.
Sklenený riad	Iba teplovzdorný sklenený riad vhodný do mikrovlnnej rúry. Zaisťte, aby nemal žiadny kovový lem. Nepoužívajte prasknutý alebo naštrbený riad.
Vrecká na varenie v rúre	Postupujte podľa pokynov výrobcu. Neuzatvárajte kovovým pútkom. Vytvorte zárezy, aby mohla para voľne unikať.
Papierové taniere a šálky	Používajte iba na krátkodobé varenie/ohrev. Nenechávajú rúru počas varenia bez dozoru.
Papierové utierky	Používajte ich na zakrytie potravín na opätovný ohrev a absorpciu tuku. Používajte pod dozorom iba na krátkodobé varenie.
Pergamenový papier	Používajte ako kryt na zamedzenie postriekaniu alebo zabalenie na varenie v pare.

Plastový riad	Iba vhodný do mikrovlnnej rúry. Postupujte podľa pokynov výrobcu. Riad by mal byť označený nápisom „Vhodný do mikrovlnnej rúry“ (Microwave Safe). Niektoré plastové nádoby môžu po zahriatí potravín vnútri týchto nádob zmäknúť. „Varné vrecká“ a tesne uzatvorené igelitové vrecká by mali mať zárezy, prepichnutie alebo odvetrávanie podľa pokynov na obale.
Plastová obalová fólia	Iba vhodné do mikrovlnnej rúry. Používajte na zakrytie potravín počas varenia na zachovanie vlhkosti. Nedovoľte, aby sa plastová obalová fólia dotýkala potraviny.
Teplomery	Iba vhodný do mikrovlnnej rúry (teplomery na mäso a cukrovinky).
Voskový papier	Používajte ako kryt na zamedzenie postriekaniu a zachovanie vlhkosti.

## Materiály nevhodné na používanie v mikrovlnnej rúre

Kuchynský riad	Poznámky
Hliníkové tácky	Môžu v rúre zapríčiniť iskrenie. Premiestnite potraviny na tanier vhodný do mikrovlnnej rúry.
Potravinové kartóny s kovovou rukoväťou	Môžu v rúre zapríčiniť iskrenie. Premiestnite potraviny na tanier vhodný do mikrovlnnej rúry.
Kovový riad alebo riad s kovovým lemom	Kov odťieňuje potraviny od mikrovlnnej energie. Kovový lem môže spôsobovať iskrenie.
Kovové stužky	Môžu spôsobovať iskrenie a môžu spôsobiť požiar vnútri mikrovlnnej rúry.
Papierové vrecká	Môžu spôsobiť požiar vnútri rúry.
Plastiková pena	Plastiková pena sa môže vplyvom vysokej teploty roztaviť alebo kontaminovať tekutinu vnútri nádoby.
Drevo	Drevo sa v mikrovlnnej rúre vysuší a môže sa rozštiepiť alebo prasknúť.

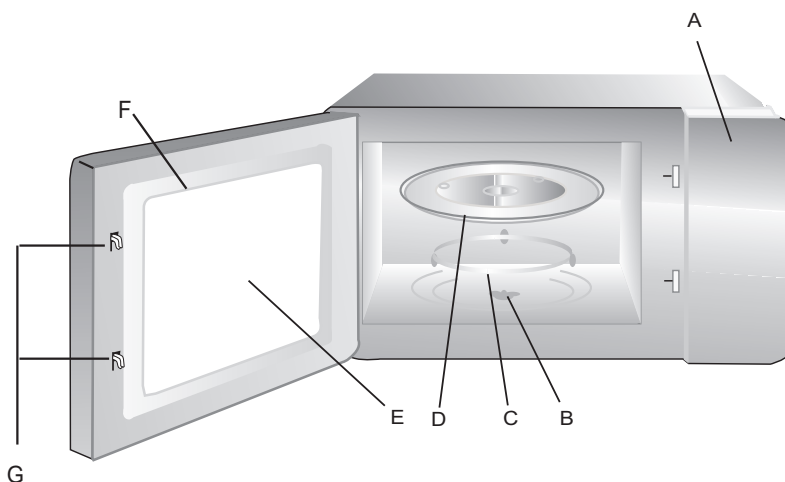
## ČASŤ 2: INŠTALÁCIA RÚRY

### Názvy dielov a príslušenstva rúry

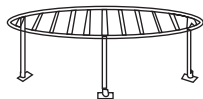
Vyberte rúru a všetky materiály zo škatule a vnútorného priestoru rúry.

Vaša mikrovlnná rúra sa dodáva s nasledujúcim príslušenstvom:

Sklenený tanier	1
Vodidlo otočného taniera	1
Návod na obsluhu	1

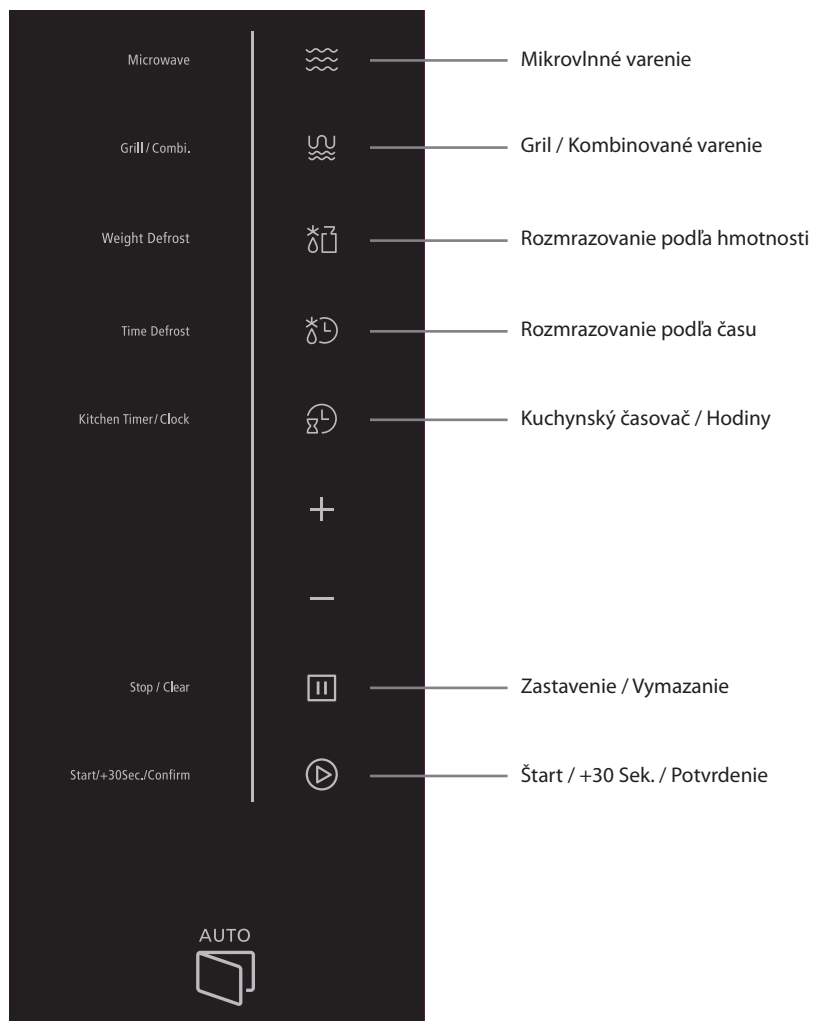


- A) Ovládací panel
- B) Hriadeľ otočného taniera
- C) Vodidlo otočného taniera
- D) Sklenený tanier
- E) Pozorovacie okno
- F) Dvierka
- G) Bezpečnostný uzamykací systém

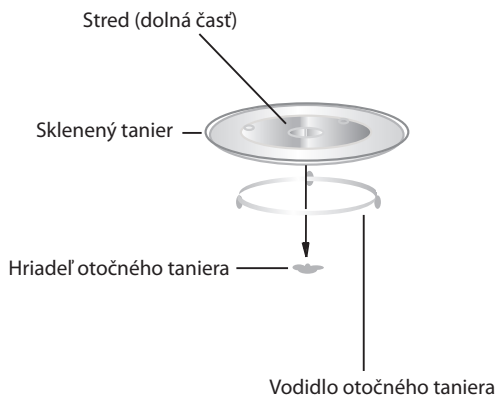


Grilovacia mriežka (používajte len s funkciou grilu a umiestnite ju na sklenený tanier).

## Ovládací panel



## Inštalácia otočného taniera



- Nikdy nekladajte sklenený tanier obrátene. Sklenený tanier by sa nemal nikdy obmedzovať v pohybe.
- Pri varení sa musí vždy použiť sklenený tanier aj vodidlo otočného taniera.
- Všetky potraviny a nádoby s potravinami sa pri varení vždy ukladajú na sklenený tanier.
- Ak sa sklenený tanier alebo vodidlo otočného taniera rozbije alebo praskne, obráťte sa na najbližšie autorizované servisné stredisko.

## Inštalácia a pripojenie

- Tento spotrebič je určený len na použitie v domácnosti.
- Tento spotrebič rúra je určený len na zabudovanie. Nie je určený na použitie na pracovnej alebo na umiestnenie na poličku.
- Dodržiavajte špeciálne pokyny na inštaláciu.
- Spotrebič nainštalujte do 60 cm širokej nástennej skrinky.
- Spotrebič je vybavený zástrčkou a musí byť pripojený len k správne nainštalovanej uzemnenej zásuvke.
- Sieťové napätie musí zodpovedať napätiu uvedenému na typovom štítku.
- Zásuvka musí byť namontovaná a prípojný kábel musí byť vymenený len kvalifikovaným elektrikárom. Ak zástrčka po inštalácii nie je prístupná, musí byť v elektroinštalácii prítomné odpájacie zariadenie s odpájaním všetkých pólov a s medzerou medzi kontaktmi najmenej 3 mm.
- Nepoužívajte adaptéry a predlžovacie káble. Pri preťažení hrozí riziko požiaru.



Povrch spotrebiča môže byť počas prevádzky horúci.

## ČASŤ 3: POKYNY NA INŠTALÁCIU

**Pred inštaláciou si pozorne prečítajte návod na obsluhu.**

### **Vezmite prosím na vedomie**

#### **Elektrické pripojenie**

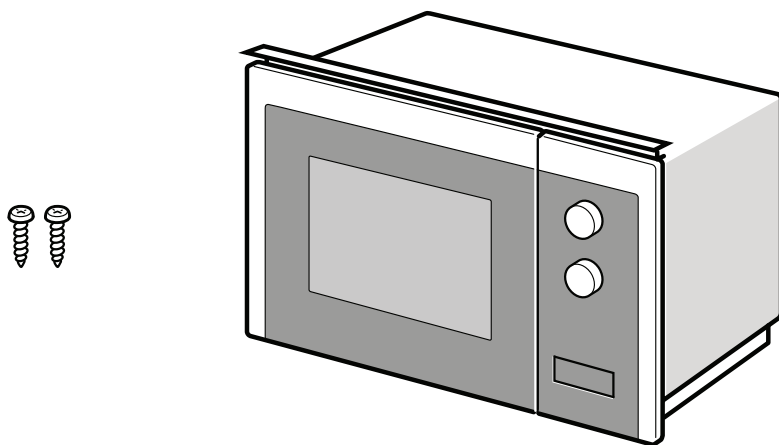
Spotrebič je vybavený zástrčkou a musí byť pripojený len k správne nainštalovanej uzemnenej zásuvke. Inštalovať zásuvku alebo vymeniť napájací kábel môže len kvalifikovaný elektrikár, ktorý dodržiava príslušné predpisy. Ak zástrčka po inštalácii nie je prístupná, musí byť v elektroinštalácii prítomné odpájacie zariadenie s odpájaním všetkých pólov a s medzerou medzi kontaktmi najmenej 3 mm. Inštalácia musí zaistiť ochranu kontaktov.

#### **Montáž spotrebiča**

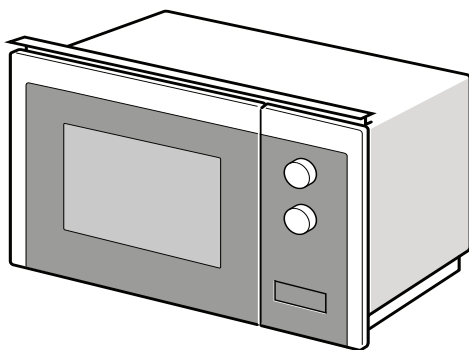
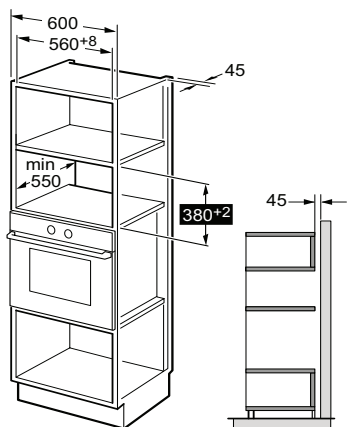
Skrinka, do ktorej inštalujete spotrebič nesmie mať zadný panel.  
Minimálna výška inštalácie: 850 mm.  
Ventilačné otvory a otvory na prívod vzduchu nesmú byť zakryté.

#### **Inštalácia spotrebiča - obr. 2**

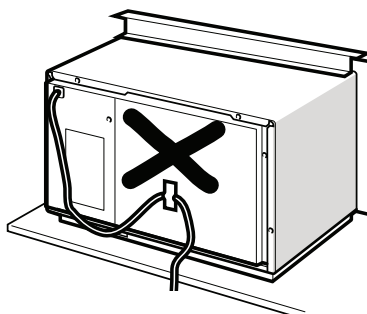
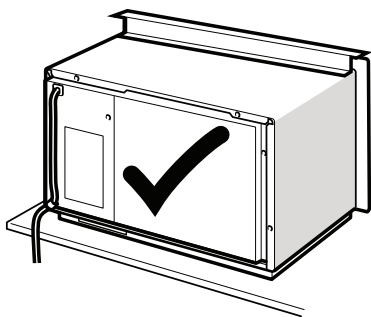
**Poznámka:** Sieťový kábel neprichytávajújte ani nezalamujte.

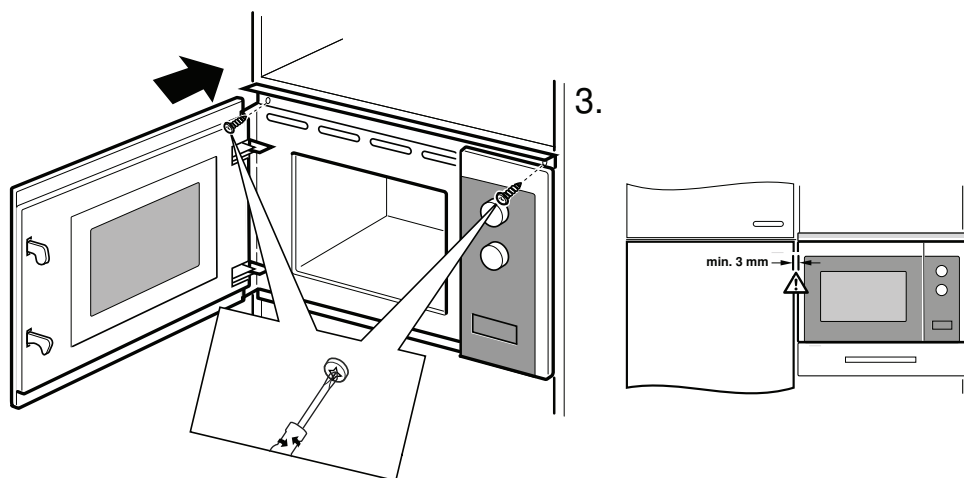
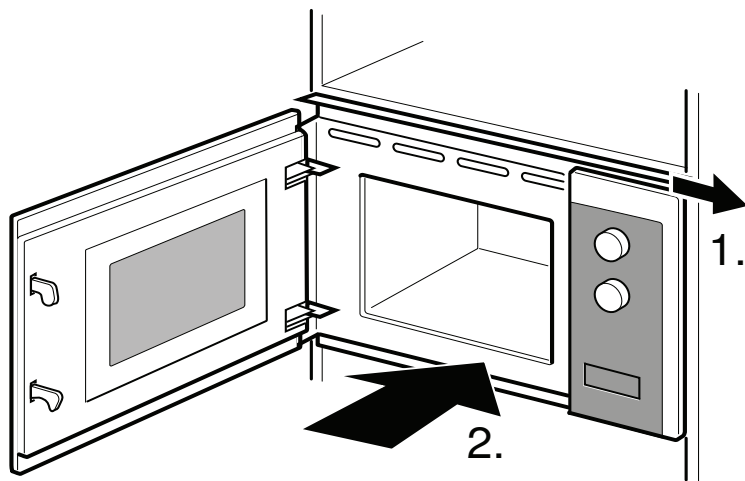


# 1



# 2







## ČASŤ 4: OBSLUHA

Táto mikrovlnná rúra používa na nastavenie parametrov varenia moderné elektronické ovládanie tak, aby vyhovovali vašim potrebám pri varení.

### 1. Nastavenie hodín

Keď mikrovlnnú rúru pripojíte k elektrickej energii, zobrazí sa „0:00“ a bzučiak raz zazvoní. Rúra prejde do pohotovostného stavu.

- 1) Stlačte dvakrát „Kitchen Timer/Clock“, číslice hodín budú blikať.
- 2) Stlačením tlačidla „-“ alebo „+“ upravte hodnoty hodín, vstupný čas by mal byť v rozsahu 0-23.
- 3) Potvrďte stlačením „Kitchen Timer/Clock“, číslice minút budú blikať.
- 4) Otáčaním „-“ alebo „+“ upravte hodnotu minút, vstupný čas by mal byť v rozmedzí 0-59.
- 5) Stlačením tlačidla „Kitchen Timer/Clock“ dokončíte nastavenie hodín. „-“ bude blikať. Zobrazí sa aktuálny čas.

Poznámka: Ak hodiny nie sú nastavené, nebudú fungovať pri zapnutí mikrovlnnej rúry.

### 2. Mikrovlnné varenie

- 1) Stlačte raz tlačidlo „Microwave“ a zobrazí sa „P100“.
- 2) Opakovaným stlačením tlačidla „Microwave“ alebo stlačením tlačidla „-“ alebo „+“ vyberte výkon mikrovlnnej rúry. „P100“, „P80“, „P50“, „P30“, „P10“ sa zobrazia v poradí.
- 3) Stlačením tlačidla „Start/+30 Sec./Confirm“ potvrďte nastavenie.
- 4) Stlačením tlačidla „-“ alebo „+“ nastavte čas varenia. (Maximálny čas varenia je 95 minút)
- 5) Stlačením tlačidla „Start/+30 Sec./Confirm“ spustíte varenie.

POZNÁMKA: Jednotlivé kroky pre nastavenie času varenia sú nasledujúce:

0 - 1 min:	5 sekúnd
1 - 5 min:	10 sekúnd
5 - 10 min:	30 sekúnd
10 - 30 min:	1 minúta
30 - 95 min:	5 minút

Tabuľka hodnôt mikrovlnnej energie

Výkon	High	Med.High	Med.	Med.Low	Low
Zobrazenie	P100	P80	P50	P30	P10

### 3. Gril alebo Kombinované varenie

Stlač raz „Grill/Combi“. Na obrazovke sa zobrazí „G“ a opakovaným stláčaním „Grill/Combi.“ alebo stáčaním „-“ alebo „+“ vyberte požadovaný výkon. Na displeji sa zobrazí „G“, „C-1“ alebo „C-2“. Stlačením „Start/+30 Sec./Confirm“ potvrdíte nastavenie výkonu. Stlačením „-“ alebo „+“ nastavíte čas varenia. (Maximálny čas varenia je 95 minút) Opätovným stlačením „Start/+30 Sec./Confirm“ spustíte varenie.

Príklad: Ak chcete použiť 55% mikrovlnného výkonu a 45% výkonu grilu (C-1) na 10 minútové varenie, postupujte podľa nasledovných krokov.

- 1) Raz stlačte „Grill/Combi“, na displeji sa zobrazí „G“.
- 2) Pokračujte v stláčaní tlačidla „Grill/Combi“, pokiaľ sa na displeji nezobrazí „C-1“.
- 3) Potvrdte stlačením „Start/+30 Sec./Confirm“.
- 4) Stláčaním tlačidla „-“ alebo „+“ nastavujte čas varenia, pokiaľ sa na displeji nezobrazí „10:00“.
- 5) Stlačením tlačidla „Start/+30 Sec./Confirm“ spustíte varenie.

Tabuľka kombinovaných programov:

Program	Zobrazenie	Mikrovlnný výkon	Výkon grilu
Grill	G	0%	100%
Combi.1	C-1	55%	45%
Combi.2	C-2	36%	64%

Poznámka: Keď uplynie polovica času grilovania, rúra dvakrát zazvoní, je to normálne. Na dosiahnutie lepšieho účinku grilovania potravín by ste mali jedlo otočiť, zatvoriť dverka a potom pokračovať vo varení stlačením tlačidla „Start/+30 Sec./Confirm“. Ak nevykonáte žiadnu činnosť, rúra bude ďalej pracovať.

### 4. Rozmrazovanie podľa hmotnosti

- 1) Stlačte raz „Weight Defrost“, na displeji sa zobrazí „dEF1“.
- 2) Stlačením tlačidla „-“ alebo „+“ zadajte hmotnosť potravín. Rozsah hmotnosti je 100 - 2000 g.
- 3) Stlačením tlačidla „Start/+30Sec./Confirm“ spustíte rozmrazovanie.

Poznámka: Keď uplynie polovica času rozmrazovania, rúra dvakrát zazvoní, je to normálne. Ak chcete dosiahnuť lepší účinok rozmrazovania, mali by ste jedlo otočiť, zatvoriť dverka a potom pokračovať vo varení stlačením tlačidla „Start/+30 Sec./Confirm“. Ak nevykonáte žiadnu činnosť, rúra bude ďalej pracovať.

## 5. Rozmrazovanie podľa času

- 1) Raz stlačte „Time Defrost“, na displeji sa zobrazí „dEF2“.
- 2) Stlačením „-“ alebo „+“ nastavte čas varenia. Maximálny čas varenia je 95 minút.
- 3) Stlačením tlačidla „Start/+30 Sec./Confirm“ spustíte rozmrazovanie.

Poznámka: Keď uplynie polovica času rozmrazovania, rúra dvakrát zazvoní, je to normálne. Ak chcete dosiahnuť lepší účinok rozmrazovania, mali by ste jedlo otočiť, zatvoriť dverka a potom pokračovať vo varení stlačením tlačidla „Start/+30 Sec./Confirm“. Ak nevykonáte žiadnu činnosť, rúra bude ďalej pracovať.

## 6. Varenie vo viacerých krokoch

Maximálne je možné nastaviť 2 kroky. Ak je jeden z krokov rozmrazovanie, musí byť automaticky vložený ako prvý krok. Bzučiak raz zazvoní po každom kroku a začne ďalší krok. Poznámka: Automatické menu a rýchle varenie nie je možné nastaviť ako jeden z krokov.

Príklad: Ak chcete jedlo rozmrazovať 5 minút a potom variť s 80% mikrovlnného výkonu 7 minút.

Postupujte nasledovne:

- 1) Raz stlačte „Time Defrost“, na displeji sa zobrazí „dEF2“.
- 2) Stlačením tlačidla „-“ alebo „+“ nastavíte čas rozmrazovania na 5 minút.
- 3) Raz stlačte „Microwave“, na displeji sa zobrazí „P100“.
- 4) Opakovaným stláčaním tlačidla „Microwave“ nastavujete mikrovlnný výkon, pokým sa nezobrazí „P80“.
- 5) Potvrďte stlačením tlačidla „Start/+30 Sec./Confirm“.
- 5) Stlačením tlačidla „-“ alebo „+“ nastavte čas varenia na 7 minút.
- 7) Stlačením tlačidla „Start/+30 Sec./Confirm“ spustíte varenie.

## 7. Kuchynský časovač

- 1) Raz stlačte „Kitchen Timer/Clock“, na displeji sa zobrazí „00:00“.
- 2) Stlačením tlačidla „-“ alebo „+“ vyberte správny časovač.  
(Maximálny čas varenia je 95 minút)
- 3) Stlačením tlačidla „Start/+30 Sec./Confirm“ potvrďte nastavenie.
- 4) Po dosiahnutí času bzučiak zazvoní 5-krát.  
Ak sú nastavené hodiny (24-hodinový systém), na displeji sa zobrazí aktuálny čas.

Poznámka: Kuchynský časovač sa líši od 24-hodinového systému.

## 8. Auto Menu

- 1) V pohotovostnom režime stláčajte opakovane tlačidlo „+“ a zvolte program.
- 2) Stlačením tlačidla „Start/+30 Sec./Confirm“ potvrďte výber programu.
- 3) Stlačením tlačidla „-“ alebo „+“ zadajte hmotnosť potravín.
- 4) Stlačením tlačidla „Start/+30 Sec./Confirm“ spustíte varenie



Tabuľka programov:

Menu	Hmotnosť	Výkon
Pizza	200 g	C-2
	400 g	
Mäso	250 g	100% (Mikrovlny)
	350 g	
	450 g	
Zelenina	200 g	100% (Mikrovlny)
	300 g	
	400 g	
Cestoviny	50 g (so 450 g studenej vody)	80% (Mikrovlny)
	100 g (s 800 g studenej vody)	
Zemiaky	200 g	100% (Mikrovlny)
	400 g	
	600 g	
Ryby	250 g	80% (Mikrovlny)
	350 g	
	450 g	
Nápoje	1 pohár (približne 120 ml)	100% (Mikrovlny)
	2 poháre (približne 240 ml)	
	3 poháre (približne 360 ml)	
Pukance	50 g	100% (Mikrovlny)
	100 g	

## 9. Rýchle varenie

- 1) V pohotovostnom režime stlačte tlačidlo „Start/+30 Sec./Confirm“ pre varenie so 100% výkonom na 30 sekúnd. Každé stlačenie tohto tlačidla zvýši čas varenia o 30 sekúnd. Maximálny čas varenia je 95 minút.
- 2) Počas mikrovlnného varenia, grilovania, kombinovaného varenia a rozmrazovania podľa času stlačením „Start/+30 Sec./Confirm“ predĺžite čas prípravy.
- 3) V programoch auto menu a rozmrazovania podľa hmotnosti nie je možné predĺžiť čas varenia stlačením tlačidla „Start/+30 Sec./Confirm“.
- 4) V pohotovostnom režime stlačením tlačidla „-“ nastavte čas varenia. Po nastavení času varenia stlačením tlačidla „Start/+30 Sec./Confirm“ spustíte varenie v mikrovlnnej rúre na 100% výkone.

## 10. Funkcia detskej zámky

Uzamknutie: V pohotovostnom režime stlačením „STOP/Clear“ na 3 sekundy vstúpíte do režimu detskej zámky. Na displeji sa zobrazí aktuálny čas, ak bol nastavený, ak nie displej sa zobrazí „ : “.

Odomknutie: V pohotovostnom režime stlačte „STOP/Clear“, zámok sa deaktivuje.

## 11. Informačná funkcia

- 1) Počas varenia mikrovlnami, grilom alebo počas kombinovaného varenia sa po stlačení tlačidla „Microwave“ alebo „Grill/Combi“, na 3 sekundy zobrazí aktuálny výkon.
- 2) Ak ste nastavili hodiny, stlačením tlačidla „Kitchen Timer/Clock“ počas varenia sa na 3 sekundy zobrazí aktuálny čas.

## 12. Špecifikácia

- 1) Ak počas varenia otvoríte dvierka, po ich zatvorení pokračujte vo varení stlačením tlačidla „Start/+30 Sec./Confirm“.
- 2) Ak po nastavení programu varenia do 1 minúty nestlačíte tlačidlo „Start/+30 Sec./Confirm“, zobrazí sa aktuálny čas a nastavenie bude zrušené.
- 3) Pre potvrdenie Bzučiak raz zazvoní. Ak nezazvoní, program nie je potvrdený.

## 13. Otvorenie dvierok rúry

Stlačením tlačidla  otvoríte dvierka rúry.

## ČASŤ 5: RIEŠENIE PROBLÉMOV

<b>Normálne</b>	
Mikrovlnná rúra ovplyvňuje príjem TV.	Príjem rádia a TV môže byť rušený prevádzkou mikrovlnnej rúry. Je to podobné ako rušenie malými elektrickými spotrebičmi, ako je mixér, vysávač a elektrický sušič vlasov. Ide o normálny jav.
Svetlo vnútri rúry svieti tlmene.	Pri mikrovlnnom varení s nízkym výkonom sa môže osvetlenie rúry stlmiť. Ide o normálny jav.
Para na dvierkach, horúci vzduch stúpa z vetracích otvorov.	Počas varenia sa môže z jedla uvoľňovať para. Väčšina pary unikne práve vetracími otvormi. Ale časť pary sa môže zrážať na chladnejších častiach rúry, ako napríklad na dvierkach. Ide o normálny jav.
Rúra bola náhodne zapnutá bez vložených potravín.	Je zakázané spúšťať rúru bez vložených potravín. Je to veľmi nebezpečné.

<b>Problém</b>	<b>Možná príčina</b>	<b>Riešenie</b>
Rúru nie je možné zapnúť.	(1) Zástrčka napájacieho kábla nie je pevne zapojená do sieťovej zásuvky.	Odpojte spotrebič od sieťovej zásuvky. Po 10 sekundách ho opäť pripojte.
	(2) Poistka je pretavená alebo zopol istič.	Vymeňte poistku alebo resetujte istič (opravu smie vykonávať iba kvalifikovaná osoba).
	(3) Problémy so zásuvkou.	Otestujte zásuvku s iným spotrebičom.
Rúra nehreje.	(4) Dvierka nie sú správne zatvorené.	Zatvorte dvierka.



Podľa nariadenia o likvidácii elektrických a elektronických zariadení (WEEE) treba také zariadenia likvidovať oddelene a triediť ich. Ak potrebujete zariadenie zlikvidovať, v žiadnom prípade ho NEVYHADZUJTE do bežného domového odpadu. Odovzdajte taký výrobok na zberné miesto, kde bude zlikvidovaný podľa nariadenia WEEE.

## ČASŤ 6: TECHNICKÉ ÚDAJE

Model:	PMD 258 BIX
Menovité napätie:	230 V ~ 50 Hz
Menovitý príkon (mikrovlny):	1450 W
Menovitý výstupný výkon (mikrovlny):	900 W
Menovitý príkon (gril):	1000 W
Kapacita rúry:	25 l
Priemer otočného taniera:	ø 315 mm
Vonkajšie rozmery:	594 x 403 x 382 mm
Čistá hmotnosť:	17,83 kg

## POKYNY A INFORMÁCIE TÝKAJÚCE SA LIKVIDÁCIE POUŽITÝCH OBALOVÝCH MATERIÁLOV

Obalové materiály zlikvidujte na verejnom mieste pre likvidáciu odpadu.

### LIKVIDÁCIA POUŽITÝCH ELEKTRICKÝCH A ELEKTRONICKÝCH SPOTREBIČOV



Význam symbolu na výrobku, jeho príslušenstve alebo obale znamená, že s týmto výrobkom nesmie byť zaobchádzané ako s komunálnym odpadom. Tento výrobok zlikviduje na príslušnom zbernom mieste pre recykláciu odpadu z elektrických a elektronických zariadení. Popríklad je možné v niektorých štátoch Európskej únie alebo iných európskych štátoch vrátiť svoje výrobky miestnemu predajcovi, v prípade kúpy podobného nového výrobku. Správna likvidácia tohto výrobku pomôže ušetriť cenné prírodné zdroje a pomôcť pri prevencii prípadného negatívneho vplyvu na životné prostredie a ľudské zdravie, ku ktorému by mohlo dôjsť v dôsledku nesprávnej likvidácie odpadu. Podrobnejšie informácie získate od miestneho úradu alebo v najbližšom stredisku pre zber odpadu. Nesprávna likvidácia tohto typu odpadu môže podliehať vnútroštátnym predpisom o pokutách.

#### Pre podnikateľské subjekty v Európskej únii

Ak chcete zlikvidovať elektrické alebo elektronické zariadenie, vyžiadajte si potrebné informácie od svojho predajcu alebo dodávateľa.

#### Likvidácia v iných štátoch mimo Európskej únie

Ak chcete zlikvidovať tento výrobok, vyžiadajte si nevyhnutné informácie o správnom spôsobe likvidácie od miestnych úradov alebo svojho predajcu.



Tento výrobok spĺňa všetky základné požiadavky nariadenia EÚ, ktoré sa naň vzťahujú.

Zmeny v texte, dizajne a technických údajoch sa môžu vyskytnúť bez predchádzajúceho upozornenia a vyhradzuje si právo vykonať tieto zmeny.



Manufacturer/Importer:  
Fast ČR, a.s.  
Praha 10, Černokostecká 2111  
CZ-10000; CZECH REPUBLIC

**PHILCO**<sup>®</sup> 

**is a registered trademark used under license from  
Electrolux Home Products., Inc.**