

FRIDGE - FREEZER

USER MANUAL

PHILCO



Famous for Quality the World Over

PCN 17742 EBI

**Dear customer,
Thank you for buying a PHILCO brand product. So that your appliance serves you well, please read all the instructions in this user's manual.**

CONTENTS

PART 1: SAFETY INFORMATION.....	2
PART 2: DESCRIPTION OF THE APPLIANCE	11
2.1 Dimensions.....	12
PART 3: USING THE APPLIANCE	13
3.1 Information on the Frost Free Technology.....	13
3.2 Display and Control Panel.....	13
3.3 Operating your Fridge Freezer	13
3.4 Temperature Settings Warnings.....	15
3.5 Accessories	16
PART 4: FOOD STORAGE.....	21
4.1 Refrigerator Compartment.....	21
4.2 Freezer Compartment	22
PART 5: CLEANING AND MAINTENANCE	26
5.1 Defrosting	26
PART 6: SHIPMENT AND REPOSITIONING	27
PART 7: BEFORE CALLING AFTER-SALES SERVICE	27
PART 8: TIPS FOR SAVING ENERGY	29
PART 9: PRODUCT INFORMATION SHEET	32



This appliance has been tested in accordance with the directives in force in the European Union. This appliance conforms to the relevant safety provisions for electrical appliances in force in the European Union.

PART 1: SAFETY INFORMATION



FOR YOUR SAFETY AND CORRECT USAGE, BEFORE INSTALLING AND FIRST USING THE APPLIANCE, READ THIS USER MANUAL CAREFULLY, INCLUDING ITS HINTS AND WARNINGS. TO AVOID UNNECESSARY MISTAKES AND ACCIDENTS, IT IS IMPORTANT TO MAKE SURE THAT ALL PEOPLE USING THE APPLIANCE ARE THOROUGHLY FAMILIAR WITH ITS OPERATION AND SAFETY FEATURES. SAVE THESE INSTRUCTIONS AND BE SURE THAT THEY REMAIN WITH THE APPLIANCE IF IT IS MOVED OR SOLD, SO THAT ANYONE USING IT THROUGHOUT ITS LIFE, WILL BE PROPERLY INFORMED ON ITS USAGE AND SAFETY NOTICES. FOR THE SAFETY OF LIFE AND PROPERTY, KEEP THE PRECAUTIONS OF THESE USER'S INSTRUCTIONS AS THE MANUFACTURER IS NOT RESPONSIBLE FOR DAMAGES CAUSED BY OMISSION.

- THIS APPLIANCE CAN BE USED BY CHILDREN AGED FROM 8 YEARS AND ABOVE AND PERSONS WITH REDUCED PHYSICAL, SENSORY OR MENTAL CAPABILITIES OR LACK OF EXPERIENCE AND KNOWLEDGE IF THEY HAVE BEEN GIVEN SUPERVISION OR INSTRUCTION CONCERNING USE OF THE APPLIANCE IN A SAFE WAY AND UNDERSTAND THE HAZARDS INVOLVED.
- CHILDREN AGED FROM 3 TO 8 YEARS ARE ALLOWED TO LOAD AND UNLOAD REFRIGERATING APPLIANCES.
- CHILDREN SHALL NOT PLAY WITH THE APPLIANCE.
- CLEANING AND USER MAINTENANCE CANNOT BE PERFORMED BY CHILDREN WITHOUT SUPERVISION.

● IF THE SUPPLY CABLE GETS DAMAGED, HAVE IT REPLACED BY A SPECIALIZED SERVICE CENTER IN ORDER TO AVOID DANGEROUS SITUATIONS. IT IS PROHIBITED TO USE THE APPLIANCE WHEN THE SUPPLY CABLE IS DAMAGED.

● **CAUTION:** IF YOUR MODEL IS EQUIPPED WITH AN ICE MAKER WITHOUT WATER SUPPLY CONNECTION, FILL IT WITH DRINKING WATER ONLY.

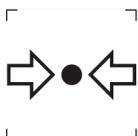
● **WARNING:** KEEP VENTILATION OPENINGS, IN THE APPLIANCE ENCLOSURE OR IN THE BUILT-IN STRUCTURE, CLEAR OF OBSTRUCTION.

● **WARNING:** DO NOT USE MECHANICAL DEVICES OR OTHER MEANS TO ACCELERATE THE DEFROSTING PROCESS, OTHER THAN THOSE RECOMMENDED BY THE MANUFACTURER.

● **WARNING:** DO NOT DAMAGE THE REFRIGERANT CIRCUIT.

● **WARNING:** DO NOT USE ELECTRICAL APPLIANCES INSIDE THE FOOD STORAGE COMPARTMENTS OF THE APPLIANCE, UNLESS THEY ARE OF THE TYPE RECOMMENDED BY THE MANUFACTURER.

● **WARNING:** DO NOT STORE EXPLOSIVE SUBSTANCES SUCH AS AEROSOL CANS WITH A FLAMMABLE PROPELLANT IN THIS APPLIANCE.



ISO 7000-1701 MARK (2004-01)
LABELS MEDIA UNDER PRESSURE..

THIS APPLIANCE IS INTENDED TO BE USED IN HOUSEHOLDS AND SIMILAR PREMISES, SUCH AS:

– KITCHENETTES IN SHOPS, OFFICES AND OTHER WORKPLACES; APPLIANCES USED BY GUESTS IN HOTELS, MOTELS, AND OTHER ACCOMMODATION FACILITIES; APPLIANCES USED IN BED-AND-BREAKFAST FACILITIES; APPLIANCES USED IN CATERING AND OTHER SIMILAR NON-VENDING ENVIRONMENTS.

ONLY SOME REFRIGERATOR MODELS ARE EQUIPPED WITH ICE MAKER. INTEGRATED ICE MAKERS MUST BE INSTALLED BY THE MANUFACTURER OR ITS SERVICING ORGANIZATION ONLY.

- THE FOLLOWING GOES FOR SELECTED MODELS EQUIPPED WITH AN ICE MAKER WITH WATER CONNECTION: **CAUTION:** CAN ONLY BE CONNECTED TO DRINKING WATER SUPPLY.

- **CAUTION:** THE APPLIANCE MUST BE FASTENED IN ACCORDANCE WITH THE MANUAL TO PREVENT DANGER CAUSED BY ITS INSTABILITY.

- **CAUTION:** THE COOLING SYSTEM CONTAINS REFRIGERANT UNDER HIGH PRESSURE. DO NOT MANIPULATE WITH THE SYSTEM. THE SYSTEM MAY BE REPAIRED BY AUTHORIZED PERSONS ONLY.



WARNING :
RISK OF FIRE / FLAMMABLE MATERIALS

CONTAINS COOLING GAS ISOBUTANE

R600A

REFRIGERANT

THE REFRIGERANT ISOBUTENE (R600A) IS CONTAINED WITHIN THE REFRIGERANT CIRCUIT OF THE APPLIANCE, A NATURAL GAS WITH A HIGH LEVEL OF ENVIRONMENTAL COMPATIBILITY, WHICH IS NEVERTHELESS FLAMMABLE. DURING TRANSPORTATION AND INSTALLATION OF THE APPLIANCE, ENSURE THAT NONE OF THE COMPONENTS OF THE REFRIGERANT CIRCUIT BECOMES DAMAGED. THE REFRIGERANT (R600A) IS FLAMMABLE.

● **WARNING** — REFRIGERATORS CONTAIN REFRIGERANT AND GASES IN THE INSULATION. REFRIGERANT AND GASES MUST BE DISPOSED OF PROFESSIONALLY AS THEY MAY CAUSE EYE INJURIES OR IGNITION. ENSURE THAT TUBING OF THE REFRIGERANT CIRCUIT IS NOT DAMAGE PRIOR TO PROPER DISPOSAL.



THE SYMBOL  IS A WARNING AND INDICATES THE REFRIGERANT AND INSULATION BLOWING GAS ARE FLAMMABLE.

WARNING : RISK OF FIRE / FLAMMABLE MATERIALS

IF THE REFRIGERANT CIRCUIT SHOULD BE DAMAGED:

- AVOID OPENING FLAMES AND SOURCES OF IGNITION.
- THOROUGHLY VENTILATE THE ROOM IN WHICH THE APPLIANCE IS SITUATED.

IT IS DANGEROUS TO ALTER THE SPECIFICATIONS OR MODIFY THIS PRODUCT IN ANY WAY.

ANY DAMAGE TO THE CORD MAY CAUSE A SHORT CIRCUIT, FIRE, AND/OR ELECTRIC SHOCK.

● **CAUTION:** THE COOLING SYSTEM CONTAINS REFRIGERANT UNDER HIGH PRESSURE. DO NOT MANIPULATE WITH THE SYSTEM.

THE SYSTEM MAY BE REPAIRED BY AUTHORIZED PERSONS ONLY.

● **CAUTION:** WHEN PLACING THE APPLIANCE IT MUST BE ENSURED THAT THE SUPPLY CORD DOES NOT GET CAUGHT OR DAMAGED.

● **CAUTION:** DO NOT PLACE PORTABLE MULTIPLE SOCKET-OUTLETS OR PORTABLE EXTENSION CABLES TO THE REAR SIDE OF THE APPLIANCE.



ELECTRICAL SAFETY

1. THE POWER CORD MUST NOT BE LENGTHENED.
2. MAKE SURE THAT THE POWER PLUG IS NOT CRUSHED OR DAMAGED.
A CRUSHED OR DAMAGED POWER PLUG MAY OVERHEAT AND CAUSE A FIRE.
3. MAKE SURE THAT YOU CAN ACCESS THE MAIN PLUG OF THE APPLIANCE.
4. DO NOT PULL THE MAIN CABLE.

5. IF THE POWER PLUG SOCKET IS LOOSE, DO NOT INSERT THE POWER PLUG. THERE IS A RISK OF ELECTRIC SHOCK OR FIRE.
6. YOU MUST NOT OPERATE THE APPLIANCE WITHOUT THE INTERIOR LIGHTING LAMP COVER.
7. THE FRIDGE IS ONLY APPLIED WITH POWER SUPPLY OF SINGLE PHASE ALTERNATING CURRENT OF 220~240V/50HZ. IF FLUCTUATION OF VOLTAGE IN THE DISTRICT OF USER IS SO LARGE THAT THE VOLTAGE EXCEEDS THE ABOVE SCOPE, FOR SAFETY SAKE, BE SURE TO APPLY A.C. AUTOMATIC VOLTAGE REGULATOR OF MORE THAN 350W TO THE FRIDGE.

THE FRIDGE MUST EMPLOY A SPECIAL POWER SOCKET INSTEAD OF COMMON ONE WITH OTHER ELECTRIC APPLIANCES. ITS PLUG MUST MATCH THE SOCKET WITH GROUND WIRE.

DAILY USE

- DO NOT STORE FLAMMABLE GAS OR LIQUIDS IN THE APPLIANCE, THERE IS A RISK OF AN EXPLOSION.
- DO NOT OPERATE ANY ELECTRICAL APPLIANCES IN THE APPLIANCE (E.G. ELECTRIC ICE CREAM MAKERS, MIXERS ETC.).
- WHEN UNPLUGGING ALWAYS PULL THE PLUG FROM THE MAINS SOCKET, DO NOT PULL ON THE CABLE.
- DO NOT PLACE HOT ITEMS NEAR THE PLASTIC COMPONENTS OF THIS APPLIANCE.
- DO NOT PLACE FOOD PRODUCTS DIRECTLY AGAINST THE AIR OUTLET ON THE REAR WALL.
- STORE PRE-PACKED FROZEN FOOD IN ACCORDANCE WITH THE FROZEN FOOD MANUFACTURE'S INSTRUCTIONS.
- THE APPLIANCES MANUFACTURES STORAGE RECOMMENDATIONS SHOULD BE STRICTLY ADHERED TO. REFER TO RELEVANT INSTRUCTIONS FOR STORAGE.

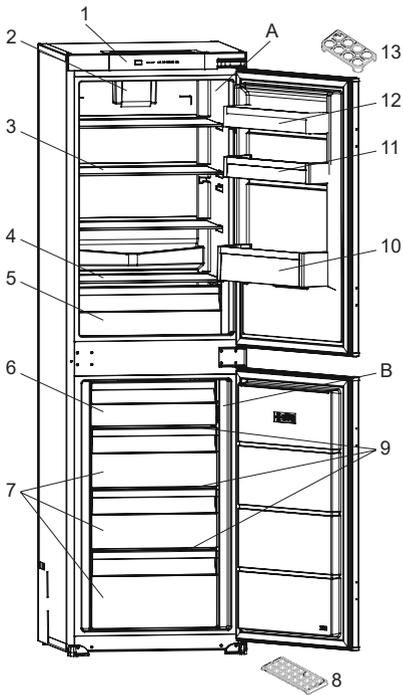
- DO NOT PLACE CARBONATED OR FIZZY DRINKS IN THE FREEZER COMPARTMENT AS IT CREATES PRESSURE ON THE CONTAINER,WHICH MAY CAUSE IT TO EXPLODE,RESULTING IN DAMAGE TO THE APPLIANCE.
- FROZEN FOOD CAN CAUSE FROST BURNS IF CONSUMED STRAIGHT FROM THE FREEZER COMPARTMENT.
- DO NOT PLACE THE APPLIANCE IN DIRECT SUNLIGHT.
- KEEP BURNING CANDLES,LAMPS AND OTHER ITEMS WITH NAKED FLAMES AWAY FROM THE APPLIANCE SO THAT DO NOT SET THE APPLIANCE ON FIRE.
- THE APPLIANCE IS INTENDED FOR KEEPING FOOD STUFF AND/OR BEVERAGES IN NORMAL HOUSEHOLD AS EXPLAINED IN THIS INSTRUCTION BOOKLET. YOU SHOULD TAKE CARE WHEN MOVE IT AS THE APPLIANCE IS HEAVY.
- DO NOT REMOVE OR TOUCH ITEMS FROM THE FREEZER COMPARTMENT IF YOUR HANDS ARE DAMP/WET, AS THIS COULD CAUSE SKIN ABRASIONS OR FROST/FREEZER BURNS.
- NEVER USE THE BASE,DRAWERS,DOORS ETC. TO STAND ON OR AS SUPPORTS.
- FROZEN FOOD MUST NOT BE REFROZEN ONCE IT HAS BEEN THAWED OUT.
- DO NOT CONSUME ICE POPSICLES OR ICE CUBES STRAIGHT FROM THE FREEZER AS THIS CAN CAUSE FREEZER BURN TO THE MOUTH AND LIPS.
- TO AVOID ITEMS FALLING AND CAUSING INJURY OR DAMAGE TO THE APPLIANCE,DO NOT OVERLOAD THE DOOR RACKS OR PUT TOO MUCH FOOD IN THE CRISPER DRAWERS.

INSTALLATION IMPORTANT!

- FOR ELECTRICAL CONNECTION CAREFULLY, FOLLOW THE INSTRUCTIONS GIVEN IN THIS MANUAL. UNPACK THE APPLIANCE AND CHECK IF THERE ARE DAMAGES ON IT.
- DO NOT CONNECT THE APPLIANCE IF IT IS DAMAGED. REPORT POSSIBLE DAMAGES IMMEDIATELY TO THE PLACE YOU BOUGHT IT. IN THIS CASE RETAIN PACKING.
- IT IS ADVISABLE TO WAIT AT LEAST FOUR HOURS BEFORE CONNECTING THE APPLIANCE TO ALLOW THE OIL TO FLOW BACK IN THE COMPRESSOR.
- ADEQUATE AIR CIRCULATION SHOULD BE AROUND THE APPLIANCE, LACKING THIS LEADS TO OVERHEATING. TO ACHIEVE SUFFICIENT VENTILATION, FOLLOW THE INSTRUCTIONS RELEVANT TO INSTALLATION.
- WHEREVER POSSIBLE THE BACK OF THE PRODUCT SHOULD NOT BE TOO CLOSE TO A WALL TO AVOID TOUCHING OR CATCHING WARM PARTS (COMPRESSOR, CONDENSER) TO PREVENT THE RISK OF A FIRE, FOLLOW THE INSTRUCTIONS RELEVANT TO INSTALLATION.
- THE APPLIANCE MUST NOT BE LOCATE CLOSE TO RADIATORS OR COOKERS.
- MAKE SURE THAT THE MAINS PLUG IS ACCESSIBLE AFTER THE INSTALLATION OF THE APPLIANCE.
- PLACE ALL PACKAGING MATERIALS OUT OF THE REACH OF CHILDREN, THERE IS A RISK OF SUFFOCATION.

- THE INTERIOR OF YOUR REFRIGERATOR / FREEZER MAY SMELL BEFORE FIRST USE. THIS IS NORMAL. THE ODOR DISAPPEARS AS SOON AS THE APPLIANCE STARTS TO COOL / FREEZE.
- BEFORE CONNECTING THE REFRIGERATOR I FREEZER, MAKE SURE THAT THE MAINS VOLTAGE CORRESPONDS TO THE REQUIREMENTS FOR CONNECTING THE REFRIGERATOR / FREEZER. IF IN DOUBT, CONSULT A QUALIFIED ELECTRICIAN.
- THE APPLIANCE MUST BE CONNECTED TO A SOCKET WITH THE APPROPRIATE VOLTAGE AND A CORRECTLY INSTALLED FUSE SOCKET.
- THE REFRIGERATOR I FREEZER MUST NOT BE PLACED OUTDOORS OR EXPOSED TO RAIN.
- THE REFRIGERATOR I FREEZER MUST BE LOCATED AT LEAST 50CM FROM HEATERS, ELECTRIC OVENS, GAS OVENS, ETC.
- IF THE REFRIGERATOR WITH FREEZER IS LOCATED NEXT TO THE FREEZER, THERE MUST BE A MIN. 2CM SPACING.
- DO NOT PLACE HEAVY OBJECTS ON THE REFRIGERATOR / FREEZER, DO NOT COVER IT.
- ABOVE THE FRIDGE / FREEZER THERE MUST BE A MIN. 150MM FREE SPACE.
- THIS APPLIANCE IS MADE FOR DOMESTIC USE AND IS ONLY SUITABLE FOR COOLING / FREEZING FOOD. NOT SUITABLE FOR COMMERCIAL USE AND / OR STORAGE OF SUBSTANCES OTHER THAN FOOD. THE MANUFACTURER IS NOT LIABLE FOR ANY LOSSES CAUSED BY IMPROPER USE OF THE APPLIANCE.

PART 2: DESCRIPTION OF THE APPLIANCE



This presentation is only for information about the parts of the appliance. Parts may vary according to the appliance model.

- A) Refrigerator compartment
- B) Freezer compartment
- 1) Control panel
- 2) Turbo fan *
- 3) Refrigerator shelves
- 4) Crisper cover
- 5) Crisper
- 6) Freezer upper flap / Drawer
- 7) Freezer drawers
- 8) Ice box tray
- 9) Freezer glass shelves
- 10) Bottle shelf
- 11) Adjustable door shelf * / Door shelf
- 12) Door shelf
- 13) Egg holder

* In some models

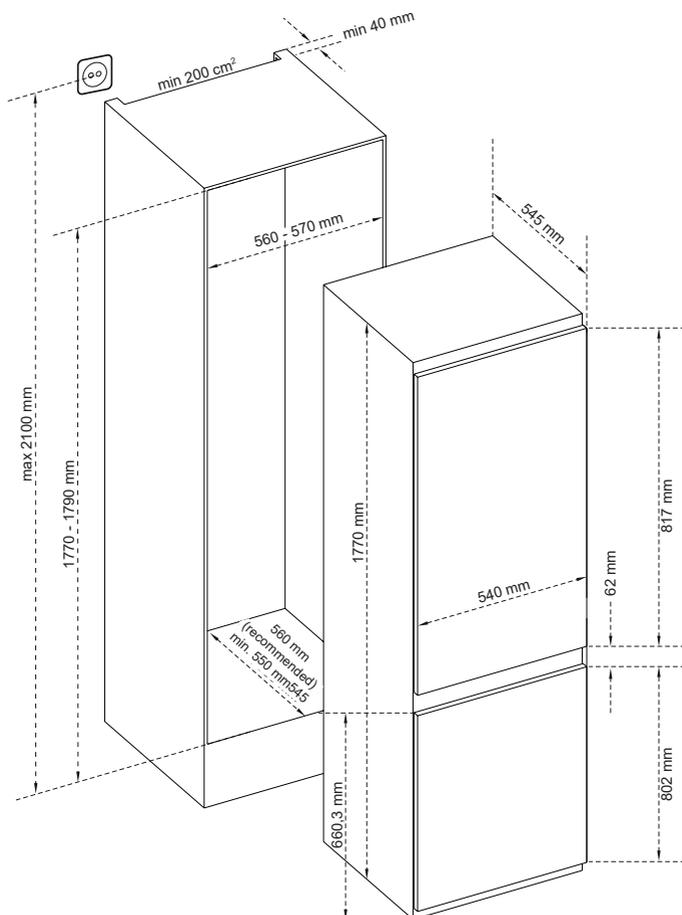
General notes:

Fresh Food Compartment (Fridge): Most efficient use of energy is ensured in the configuration with the drawers in the bottom part of the appliance, and shelves evenly distributed, position of door bins does not affect energy consumption.

Freezer Compartment (Freezer): Most Efficient use of energy is ensured in the configuration with the drawers and bins are on stock position.

2.1 Dimensions

* 1770 - 1778 for metal top cover



PART 3: USING THE APPLIANCE

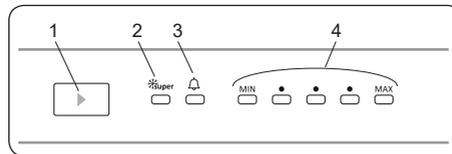
3.1 Information on the Frost Free Technology

The Frost Free refrigerators have a different operating system to static refrigerators. In normal (static) fridges, the humidity entering the fridge due to opening the door, and the humidity inherent in the food, causes frost build-up in the freezer compartment. To defrost the frost and ice in the freezer compartment, you are required to periodically switch off the fridge, place the frozen food in a separate cooled container, then remove the ice gathered in the freezer compartment.

The situation is completely different in No-frost fridges. A built-in fan blows dry and cold air evenly throughout the cooler and freezer compartments. The cold air disperses uniformly between the shelves, ensuring all your food is cooled equally, thus preventing humidity and frost build-up.

Therefore, your No-frost fridge allows ease of use, in addition to its huge capacity and stylish appearance.

3.2 Display and Control Panel



Using the Control Panel

1. Temperature set button
2. Super cooling symbol (Super cooling LED)
3. Alarm symbol (Alarm LED)
4. Adjusted temperature indicator

3.3 Operating your Fridge Freezer

Lighting (If available) When the product is plugged in for the first time, the interior lights may turn on 1 minute late due to opening tests.

3.3.1 Temperature Set Button

This button allows setting temperature of the fridge. In order to set values for fridge partition, press this button. Use this button also to activate super cooling mode.

3.3.2 Temperature Settings

- It ensures that the temperature settings in the cooling and freezing compartments of your refrigerator are performed automatically. It may be set to any value ranging from MIN to MAX and super cooling mode. As you press temperature set button from MIN to MAX, the temperature decreases. To save energy in winter months, operate your refrigerator in a lower position.
- Initial temperature setting for refrigerator is at the middle point.
- Every time you press temperature set button, setting temperature will decrease until super cooling symbol and if you keep on pressing the set temperature will be min set temperature again.

3.3.3 Super Cooling Mode

When Would It Be Used?

- To cooling huge quantities of food.
- To cooling fast food.
- To cooling food quickly.
- To store seasonal food for a long time.

How To Use?

- If you press temperature set button until super cooling symbol is displayed on the display and you do not press any button within the following 3 seconds, super cooling will blink.
- Super cooling led will light during this mode.
- For optimal appliance performance in maximum cooling capacity, set the appliance to active Super Cooling mode 5 hours before you put the fresh food into the fridge.

During this mode:

If you press temperature set button, the mode will be cancelled and the setting will be restored from MAX.



Super cooling mode will be automatically cancelled after 5 hours.

3.3.4 Alarm light

In case of a problem within the fridge, the alarm led will release red light.

3.3.5 Door Open Alarm Function

If fridge door is opened more than 2 minutes, appliance sounds 'beep beep'.

3.4 Temperature Settings Warnings

- Your appliance is designed to operate in the ambient temperature ranges stated in the standards, according to the climate class stated in the information label. It is not recommended that your fridge is operated in the environments which are outside of the stated temperature ranges. This will reduce the cooling efficiency of the appliance.
- Temperature adjustments should be made according to the frequency of door openings, the quantity of food kept inside the appliance and the ambient temperature in the location of your appliance.
- When the appliance is first switched on, allow it to run for 24 hours in order to reach operating temperature. During this time, do not open the door and do not keep a large quantity of food inside.
- A 5 minute delay function is applied to prevent damage to the compressor of your appliance when connecting or disconnecting to mains, or when an energy breakdown occurs. Your appliance will begin to operate normally after 5 minutes.

Climate class and meaning:

Description	Class	Ambient temperature range °C
Extended temperature	SN	+10 to +32
Temperate	N	+16 to +32
Subtropical	ST	+16 to +38
Tropical	T	+16 to +43

Acronym for ambient temperature range, ie SN, N, ST or T, in determining climate classes:

1. the extended temperate zone (SN) has a temperature range of 10 °C to 32 °C;
2. the temperate zone (N) has a temperature range of 16 °C to 32 °C;
3. the subtropical zone (ST) has a temperature range from 16 °C to 38 °C
4. The tropical zone (T) has a temperature range of 16 °C to 43 °C.

The Turbo Fan (if available)

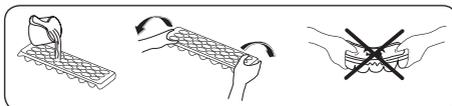
Do not block the air inlet and outlet openings when storing food, otherwise air circulation provided by the turbo fan will be impaired.

3.5 Accessories

Visual and text descriptions in the accessories section may vary according to the model of your appliance.

3.5.1 Ice Tray (In some models)

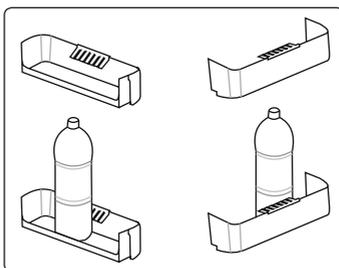
- Fill the ice tray with water and place in the freezer compartment.
- After the water has completely frozen, you can twist the tray as shown below to remove the ice cubes.



3.5.2 The Bottle Holder (In some models)

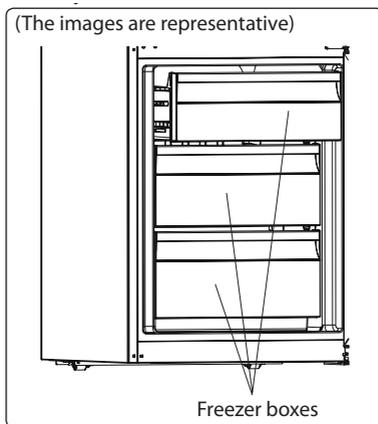


Use the bottle holder to prevent bottles from slipping or falling over.

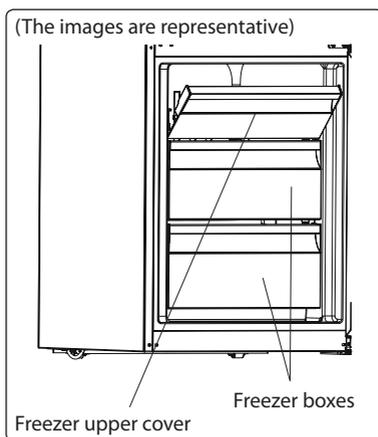


3.5.3 The Freezer Box

The freezer box allows food to be accessed more easily.



or



Removing the freezer box:

- Pull the box out as far as possible
- Pull the front of the box up and out

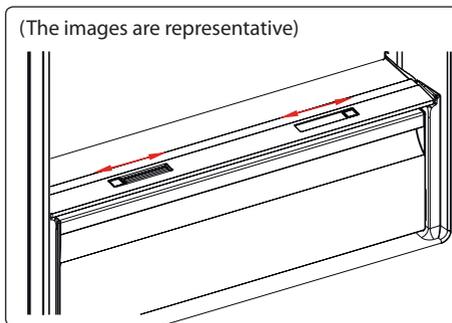


Carry out the opposite of this operation when refitting the sliding compartment.

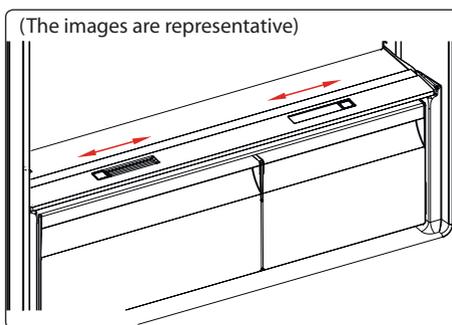


Always keep hold of the handle of the box while removing it.

3.5.4 The Fresh Dial (*In some models*)



or



If the crisper is full, the fresh dial located in front of the crisper should be opened. This allows the air in the crisper and the humidity rate to be controlled, to increase the life of food within. The dial, located behind the shelf, must be opened if any condensation is seen on the glass shelf.

3.5.5 Adjustable Door Shelf (In some models)

Six different height adjustments can be made to provide storage areas that you need by adjustable door shelf. To change the position of adjustable door shelf ; Hold the bottom of the shelf and pull the buttons on the side of the door shelf direction of arrow. (Fig.1) Position door shelf the height you need by moving up and down. After you get the position that you want the door shelf, release the buttons on the side of the door shelf (Fig.2) Before releasing the door shelf, move up down and make sure the door shelf is fixed.

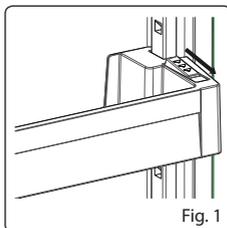


Fig. 1

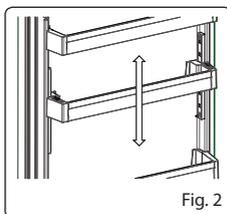


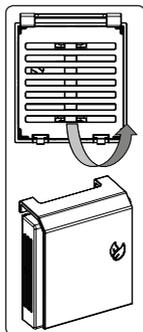
Fig. 2



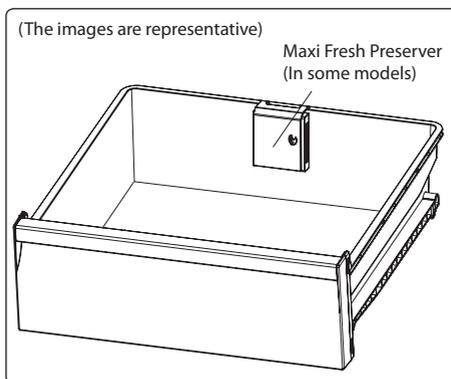
Note: Before moving door shelf is loaded, you must hold the shelf by supporting the bottom. Otherwise, door shelf could fall off the rails due to the weight. So damage may occur on the door shelf or rails.

3.5.6 Maxi-fresh preserver (If available)

Maxi Fresh Preserver technology helps to remove ethylene gas (a volatile organic compound released naturally from fresh foods) and unpleasant odors from the crispier. In this way, food stays fresh for a longer time.



- Maxi Fresh Preserver must be cleaned once in a year.
The filter should be waited for 2 hours at 65°C in a oven.
- To clean the filter, please remove the back cover of the filter box by pulling it in the direction of the arrow.
- The filter should not be washed with water or any detergent.



Visual and text descriptions in the accessories section may vary according to the model of our appliance.

4.1 Refrigerator Compartment

- To reduce humidity and avoid the consequent formation of frost, always store liquids in sealed containers in the refrigerator. Frost tends to concentrate in the coldest parts of the evaporating liquid and, in time, your appliance will require more frequent defrosting.
- Cooked dishes must remain covered when they are kept in the fridge. Do not place warm foods in fridge. Place them when they are cool, otherwise the temperature/humidity inside the fridge will increase, reducing the fridge's efficiency.
- Make sure no items are in direct contact with the rear wall of the appliance as frost will develop and packaging will stick to it. Do not open the refrigerator door frequently.
- We recommend that meat and clean fish are loosely wrapped and stored on the glass shelf just above the vegetable bin where the air is cooler, as this provides
- Store loose fruit and vegetable items in the crisper containers.
- Storing fruit and vegetables separately helps prevent ethylene-sensitive vegetables (green leaves, broccoli, carrot, etc.) being affected by ethylene-releasing fruits (banana, peach, apricot, fig etc.).
- Do not put wet vegetables into the refrigerator.
- Storage time for all food products depends on the initial quality of the food and an uninterrupted refrigeration cycle before refrigerator storage.
- Water leaking from meat may contaminate other products in the refrigerator. You should package meat products and clean any leakages on the shelves.
- Do not put food in front of the air flow passage.
- Consume packaged foods before the recommended expiry date.

Do not allow food to come into contact with the temperature sensor, which is located in the refrigerator compartment, in order to keep the refrigerator compartment at optimum temperature.

- For normal working conditions, it will be sufficient to adjust the temperature setting of your refrigerator to +4 °C.
- The temperature of the fridge compartment should be in the range of 0-8 °C, fresh foods below 0 °C are iced and rotted, bacterial load increases above 8 °C, and spoils.
- Do not put hot food in the refrigerator immediately, wait for the temperature to pass outside. Hot foods increase the degree of your refrigerator and cause food poisoning and unnecessary spoiling of the food.
- Meat, fish, etc. should be stored in the chiller compartment of the food, and the vegetable compartment is preferred for vegetables. (if available)
- To prevent cross contamination, meat products and fruit vegetables are not stored together.
- Foods should be placed in the refrigerator in closed containers or covered to prevent moisture and odors.

The table below is a quick guide to show you the most efficient way to store the major food groups in your refrigerator compartment.

Food	Maximum storage time	How and where to store
Vegetables and fruits	1 week	Vegetable bin
Meat and fish	2 - 3 days	Wrap in plastic foil, bags, or in a meat container and store on the glass shelf
Fresh cheese	3 - 4 days	On the designated door shelf
Butter and margarine	1 week	On the designated door shelf
Bottled products e.g. milk and yoghurt	Until the expiry date recommended by the producer	On the designated door shelf
Eggs	1 month	On the designated egg shelf
Cooked food	2 days	All shelves

NOTE:



Potatoes, onions and garlic should not be stored in the refrigerator.

4.2 Freezer Compartment

- The freezer is used for storing frozen food, freezing fresh food, and making ice cubes.
- Food in liquid form should be frozen in plastic cups and other food should be frozen in plastic folios or bags. For freezing fresh food; wrap and seal fresh food properly, that is the packaging should be air tight and shouldn't leak.
Special freezer bags, aluminum foil polythene bags and plastic containers are ideal.
- Do not store fresh food next to frozen food as it can thaw the frozen food.
- Before freezing fresh food, divide it into portions that can be consumed in one sitting.
- Consume thawed frozen food within a short period of time after defrosting
- Always follow the manufacturer's instructions on food packaging when storing frozen food. If no information is provided food, should not be stored for more than 3 months from the date of purchase.
- When purchasing frozen food, make sure that it has been stored under appropriate conditions and that the packaging is not damaged.
- Frozen food should be transported in appropriate containers and placed in the freezer as soon as possible.
- Do not purchase frozen food if the packaging shows signs of humidity and abnormal swelling. It is probable that it has been stored at an unsuitable temperature and that the contents have deteriorated.
- The storage life of frozen food depends on the room temperature, the thermostat setting, how often the door is opened, the type of food, and the length of time required to transport the product from the shop to your home. Always follow the instructions printed on the packaging and never exceed the maximum storage life indicated.
- If the freezer door has been left open for a long time or not closed properly, frost will form and can prevent efficient air circulation. To resolve this, unplug the freezer and wait for it to defrost. Clean the freezer once it has fully defrosted.

- The freezer volume stated on the label is the volume without baskets, covers, and so on.
- Do not refreeze thawed food. It may pose a danger to your health and cause problems such as food poisoning.

NOTE: If you attempt to open the freezer door immediately after closing it, you will find that it will not open easily. This is normal. Once equilibrium has been reached, the door will open easily.

- Use the fast freezing shelf to freeze home cooking (and any other food which needs to be frozen quickly) more quickly because of the freezing shelf's greater freezing power. Fast freezing shelf is the bottom drawer of the freezer compartment.
- To use the maximum capacity of the freezer compartment, use the glass shelves for the upper and middle section, and use the lower basket for the bottom section.



The table below is a quick guide to show you the most efficient way to store the major food groups in your freezer compartment.

Meat and fish	Preparation	Maximum Storing time (month)
Steak	Wrap in foil	6-8
Lamb meat	Wrap in foil	6-8
Veal roast	Wrap in foil	6-8
Veal cubes	In small pieces	6-8
Lamb cubes	In pieces	4-8
Minced meat	In packages without using spices	1-3
Giblets (pieces)	In pieces	1-3
Bologna sausage/ salami	Should be packaged even if it has membrane	
Chicken and turkey	Wrapping in a foil	4-6
Goose and Duck	Wrapping in a foil	4-6
Deer, Rabbit, Wild Boar	In 2.5 kg portions and as fillets	6-8
Freshwater fishes (Salmon, Carp, Crane, Siluroidea)	After cleaning the bowels and scales of the fish, wash and dry it; and if necessary, cut off the tail and head.	2
Lean fish; bass, turbot, flounder		4
Fatty fishes (Tunny, Mackarel, bluefish, anchovy)		2-4
Shellfish	Cleaned and in bags	4-6
Caviar	In its package, aluminium or plastic container	2-3
Snails	In salty water, aluminium or plastic container	3
 Note:	Frozen meat should be cooked as fresh meat after being thawed. If the meat is not cooked after being thawed, it must not be re-frozen.	

Vegetables and Fruits	Preparation	Maximum Storing time (months)
String beans and beans	Wash and cut into small pieces and boil in water	10-13
Beans	Hull and wash and boil in water	12
Cabbage	Cleaned and boil in water	6-8
Carrot	Clean and cut to slices and boil in water	12
Pepper	Cut the stem, cut into two pieces, remove the core and boil in water	8-10
Spinach	Washed and boil in water	6-9
Cauliflower	Take the leaves apart, cut the heart into pieces, and leave it in water with a little lemon juice for a while	10-12
Eggplant	Cut to pieces of 2cm after washing	10-12
Corn	Clean and pack with its stem or as sweet corn	12
Apple and pear	Peel and slice	8-10
Apricot and Peach	Cut into two pieces and remove the stone	4-6
Strawberry and Blackberry	Wash and hull	8-12
Cooked fruits	Adding 10% of sugar in the container	12
Plum, cherry, sourberry	Wash and hull the stems	8-12

	Maximum storage time (months)	Thawing time at room temperature (hours)	Thawing time in oven (minutes)
Bread	4 - 6	2 - 3	4-5 (220-225 °C)
Biscuits	3 - 6	1 - 1,5	5-8 (190-200 °C)
Pastry	1 - 3	2 - 3	5-10 (200-225 °C)
Pie	1 - 1,5	3 - 4	5-8 (190-200 °C)
Phyllo dough	2 - 3	1 - 1,5	5-8 (190-200 °C)
Pizza	2 - 3	2 - 4	15-20 (200 °C)

	Maximum storage time (months)	Thawing time at room temperature (hours)	Thawing time in oven (minutes)
Packet (Homogenized) Milk	In its own packet	2 - 3	Pure Milk – in its own packet
Cheese - excluding white cheese	In slices	6 - 8	Original packaging may be used for short-term storage. Keep wrapped in foil for longer periods.
Butter, margarine	In its packaging	6	

PART 5: CLEANING AND MAINTENANCE



Disconnect the unit from the power supply before cleaning.



Do not wash your appliance by pouring water on it.



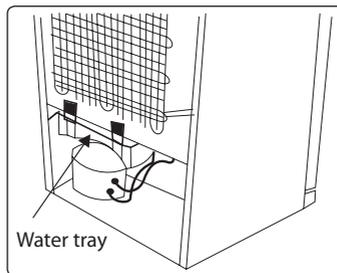
Do not use abrasive products, detergents or soaps for cleaning the appliance. After washing, rinse with clean water and dry carefully. When you have finished cleaning, reconnect the plug to the mains supply with dry hands.

- Make sure that no water enters the lamp housing and other electrical components.
- The appliance should be cleaned regularly using a solution of bicarbonate of soda and lukewarm water.
- Clean the accessories separately by hand with soap and water. Do not wash accessories in a dish washer.
- Clean the condenser with a brush at least twice a year. This will help you to save on energy costs and increase productivity.



The power supply must be disconnected during cleaning.

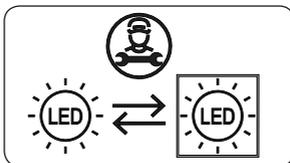
5.1 Defrosting



- Your appliance performs automatic defrosting. The water formed as a result of defrosting passes through the water collection spout, flows into the water tray behind your appliance and evaporates there.
- Make sure you have disconnected the plug of your appliance before cleaning the water tray.
- Remove the water tray from its position by removing the screws (if it has screws). Clean it with soapy water at specific time intervals. This will prevent odours from forming.

Replacing LED Lighting

To replace any of the LEDs, please contact the nearest Authorised Service Centre. Note: The numbers and location of the LED strips may change according to the model.



Note: The numbers and location of the LED strips may change according to the model.

If product equipped with LED lamp This product contains a light source of energy efficiency class <E>.

If product equipped with LED Strip(s) or LED card(s) This product contains a light source of energy efficiency class <F>.

PART 6: SHIPMENT AND REPOSITIONING

6.1 Transportation and Changing Positioning

- The original packaging and foam may be kept for re-transportation (optional).
- Fasten your appliance with thick packaging, bands or strong cords and follow the instructions for transportation on the packaging.
- Remove all movable parts or fix them into the appliance against shocks using bands when re-positioning or transporting.



Always carry your appliance in the upright position.

PART 7: BEFORE CALLING AFTER-SALES SERVICE

Errors

Your appliance will warn you if the temperature(s) is/are at improper levels or if a problem occurs with the appliance. In case of a problem within the appliance, the alarm led will release red light.

Alarm indicator LED is turning on	MEANING	WHY	WHAT TO DO
	"Failure" Warning	There is/are some part(s) out of order or there is a failure in the cooling process. The product is plugged for the first time or a long-time power interruption for 1 hour.	Check the door is open or not and check if the product working 1 hour. If the door is not open and the product had worked 1 hour, call service for assistance as soon as possible.

If you are experiencing a problem with your appliance, please check the following before contacting the after-sales service.

Your appliance is not operating

Check if:

- There is power
- The plug is correctly placed in the socket
- The plug fuse or the mains fuse has blown
- The socket is defective. To check this, plug another working appliance into the same socket.

The appliance performs poorly

Check if:

- The appliance is overloaded
- The appliance door is closed properly
- There is any dust on the condenser
- There is enough space near the rear and side walls.

Your appliance is operating noisily

Normal noises

Cracking noise occurs:

- During automatic defrosting
- When the appliance is cooled or warmed (due to expansion of appliance material).

Short cracking noise occurs: When the thermostat switches the compressor on/off.

Motor noise: Indicates the compressor is operating normally. The compressor may cause more noise for a short time when it is first activated.

Bubbling noise and splash occurs: Due to the flow of the refrigerant in the tubes of the system.

Water flowing noise occurs: Due to water flowing to the evaporation container. This noise is normal during defrosting.

Air blowing noise occurs: In some models during normal operation of the system due to the circulation of air.

The edges of the appliance in contact with the door joint are warm

Especially during summer (warm seasons), the surfaces in contact with the door joint may become warmer during the operation of the compressor, this is normal.

There is a build-up of humidity inside the appliance

Check if:

- All food is packed properly. Containers must be dry before being placed in the **appliance**.
- The **appliance** door is opened frequently.
Humidity of the room enters the appliance when the doors are opened.
Humidity increases faster when the doors are opened more frequently, especially if the humidity of the room is high.

The door does not open or close properly

Check if:

- There is food or packaging preventing the door from closing
- The door joints are broken or torn
- Your appliance is on a level surface.
- The compressor can run loudly or the noise of the compressor/refrigerator may increase in some models during operating in some conditions such that the product is plugged in for the first time, depending on change in the ambient temperature or change of usage. That is normal; when the refrigerator reaches the required temperature, the noise decreases automatically.

Recommendations

- If the appliance is switched off or unplugged, wait at least 5 minutes before plugging the appliance in or restarting it in order to prevent damage to the compressor.
- If you will not use your appliance for a long time (e.g. in summer holidays) unplug it. Clean your appliance according to chapter cleaning and leave the door open to prevent humidity and smell.
- If a problem persists after you have followed all the above instructions, please consult the nearest authorised service centre.
- The appliance you have purchased is designed for domestic use only. It is not suitable for commercial or common use. If the consumer uses the appliance in a way that does not comply with this, we emphasise that the manufacturer and the dealer will not be responsible for any repair and failure within the guarantee period.

PART 8: TIPS FOR SAVING ENERGY

1. Install the appliance in a cool, wellventilated room, but not in direct sunlight and not near a heat source (such as a radiator or oven) otherwise an insulating plate should be used.
2. Allow warm food and drinks to cool before placing them inside the appliance.
3. Place thawing food in the refrigerator compartment if available. The low temperature of the frozen food will help cool the refrigerator compartment while the food is thawing. This will save energy. Frozen food left to thaw outside of the appliance will result in a waste of energy.
4. Drinks or other liquids should be covered when inside the appliance. If left uncovered, the humidity inside the appliance will increase, therefore the appliance uses more energy. Keeping drinks and other liquids covered helps preserve their smell and taste.
5. Avoid keeping the doors open for long periods and opening the doors too frequently as warm air will enter the appliance and cause the compressor to switch on unnecessarily often.
6. Keep the covers of the different temperature compartments (such as the crisper and chiller if available) closed.
7. The door gasket must be clean and pliable. In case of wear, replace the gasket.

Storage instructions

To avoid contamination of food, please respect the following instructions

- Opening the door for long periods can cause a significant increase of the temperature in the compartments of the appliance.
- Clean regularly surfaces that can come in contact with food and accessible drainage systems.
- Store raw meat and fish in suitable containers in the refrigerator, so that it is not in contact with or drip onto other food.
- Two-star frozen-food compartments are suitable for storing pre-frozen food, storing or making icecream and making ice cubes.
- One-, two- and three-star compartments are not suitable for the freezing of fresh food.

Order	Compartments TYPE	Target storage temp.[°C]	Appropriate food
1	Fridge	+2~+8	Eggs, cooked food, packaged food, fruits and vegetables, dairy products, cakes, drinks and other foods which are not suitable for freezing.
2	(***)*-Freezer	≤-18	Seafood (fish,shrimp,shellfish),freshwater aquatic products and meat products (recommended for 3 months , he longer the storage time,the worse the taste and nutrition),suitable for frozen fresh food.
3	***-Freezer	≤-18	Seafood (fish, shrimp, shellfish),freshwater aquatic products and meat products (recommended for 3 months, the longer the storage time,the worse the taste and nutrition), are not suitable for frozen fresh food
4	**-Freezer	≤-12	Seafood (fish, shrimp, shellfish), freshwater aquatic products and meat products (recommended for 2 months,the longer the storage time,the worse the taste and nutrition), are not suitable for frozen fresh food.
5	*-Freezer	≤-6	Seafood (fish, shrimp, shellfish), freshwater aquatic products and meat products (recommended for 1 month,the longer the storage time,the worse the taste and nutrition), are not suitable for frozen fresh food.
6	0-star	-6~0	Fresh pork, beef, fish, chicken, some packaged processed foods, etc. (Recommended to eat within the same day, preferably no later than 3 days). Partially encapsulated processed foods (non-freezable foods.)

7	Chill	-2~+3	Fresh/frozen pork, beef, chicken, freshwater aquatic products, etc. (7 days below 0 °C and above 0 °C is recommended for consumption within that day, preferably no more than 2 days). Seafood (less than 0 for 15 days, it is not recommended to store above 0 °C).
8	Fresh Food	0~+4	Fresh pork,beef,fish,chicken,cooked food,etc. (Recommended to eat within the same day,preferably no more than 3 days.)
9	Wine	+5~+20	Red wine,white wine,sparkling wine etc.

Note: Please store different foods according to the compartments or target storage temperature of your purchased products.

- If the refrigerating appliance is left empty for long periods,switch off,defrost, clean,dry, and leave the door open to prevent mould developing within the appliance.

Placement of food in the appliance

- Potatoes, onions and garlic should not be stored in the refrigerator / freezer.
- Under normal circumstances, the temperature setting in the refrigerator is sufficient to + 4 °C.
- The temperature of the refrigerator should be between 0 °C and 8 °C. Fresh foods stored below 0 °C freeze, rot. The bacterial load increases when stored above 8 °C and food spoils.
- Do not put warm or hot food in the fridge / freezer, wait for it to cool to room temperature. Hot food raise the temperature inside the refrigerator / freezer and can cause unnecessary spoilage and possible food poisoning.
- Meat, fish, etc. should be stored in a designated refrigerated compartment - if available.
- Fruits and vegetables should be stored in a designated refrigerated compartment - if available.
- To prevent contamination of meat products with bacteria, do not store fruits and vegetables in a common compartment. The same is true in reverse - contamination of fruits and vegetables with bacteria from meat products.

PART 9: PRODUCT INFORMATION SHEET

Product Information Sheet

PHILCO 

COMMISSION DELEGATED REGULATION (EU) 2019/2016

Supplier's name or trademark: PHILCO

Supplier's address: FAST ČR, a.s. U Sanitasu 1621 Říčany 251 01, Czech Republic

Model identifier: PCN 17742 EBI

Type of refrigerating appliance: built-in refrigerator

Low-noise appliance:	No	Design type:	built-in
----------------------	----	--------------	----------

Wine storage appliance:	No	Other refrigerating appliance:	Yes
-------------------------	----	--------------------------------	-----

General product parameters:

Parameter	Value	Parameter	Value
Overall dimensions (millimetre)	Height	Total volume (dm ³ or l)	229
	Width		
	Depth		
Energy efficiency Index (EEL)	100	Energy efficiency class*	E
Airborne acoustical noise emissions (dB(A) re 1 pW)	41	Airborne acoustical noise emission class	C
Annual energy consumption (kWh/a)	232	Climate class:	T/N
Minimum ambient temperature (°C), for which the refrigerating appliance is suitable	16	Maximum ambient temperature (°C), for which the refrigerating appliance is suitable	43
Winter setting	No		

Compartment Parameters:

Compartment type	Compartment parameters and values			
	Compartment volume (dm ³ or l)	Recommended temperature setting for optimised food storage (°C) These settings shall not contradict the storage conditions set out in Annex IV, Table 3	Freezing capacity (kg/24h)	Defrosting type (auto-defrost=A, manual defrost=M)
Pantry	No	-	-	-
Wine storage	No	-	-	-
Cellar	No	-	-	-
Fresh food	Yes	144.9	4	A
Chill	No	-	-	-

0-star or ice-making	No	-	-	-	-
1-star	No	-	-	-	-
2-star	No	-	-	-	-
3-star	No	-	-	-	-
4-star	Yes	84.7	-18	3.9	A
2-star section	No	-	-	-	-
Variable temperature compartment	-	-	-	-	-
For 4-star compartments					
Fast freeze facility			No		
Light source parameters:					
Type of light source			LED		
Energy efficiency class			G		
Minimum duration of the guarantee offered by the manufacturer: 24 months					
Additional information:					
Weblink to the manufacturer's website, where the information in point 4(a) Annex of Commission Regulation (EU) 2019/2019 is found: https://www.fastcr.cz/					

TECHNICAL INFORMATION

Technical information can be found on the type plate on the inside of the appliance and on the energy label. The QR code, on the supplied energy label, contains a link to register the appliance in the EU Eprel database. Keep the energy label, the instructions for use, together with other documents supplied with the device.

TESTING INFORMATION

The delivered device is in accordance with Ecodesignem a EN 62552:2020, Regulation (EU) 2019/2016, Regulation (EU) 2019/2019 and Framework Regulation (EU) 2017/1369). Air access requirements for proper operation of the device, the minimum distance from the wall and the dimensions of the device are part of this manual. If you have any further questions, please contact the manufacturer.

CUSTOMER CARE AND SERVICE

Always use original spare parts.

Model name and serial number can be found on the rating plate. Position of rating plate can be changed without notice.

The original spare parts for some specific components are available for a minimum of 7 or 10 years, based on the type of component, from the placing on the market of the last unit of the model.

When contacting our authorized service, have the model designation, serial number and defect description available.

To download documents, visit www.philco.cz.

To report a defect and obtain additional service information, visit <https://philco.cz/podpora-a-servis>.

Subject to change without notice.

INSTRUCTIONS AND INFORMATION REGARDING THE DISPOSAL OF USED PACKAGING MATERIALS

Dispose of packaging material at a public waste disposal site.

DISPOSAL OF USED ELECTRICAL AND ELECTRONIC APPLIANCES



The meaning of the symbol on the product, its accessory or packaging indicates that this product shall not be treated as household waste. Please, dispose of this product at your applicable collection point for the recycling of electrical & electronic equipment waste. Alternatively in some states of the European Union or other European states you may return your products to your local retailer when buying an equivalent new product. The correct disposal of this product will help save valuable natural resources and help in preventing the potential negative impact on the environment and human health, which could be caused as a result of improper liquidation of waste. Please ask your local authorities or the nearest waste collection centre for further details. The improper disposal of this type of waste may fall subject to national regulations for fines.

For business entities in the European Union

If you wish to dispose of an electrical or electronic device, request the necessary information from your seller or supplier.

Disposal in other countries outside the European Union

If you wish to dispose of this product, request the necessary information about the correct disposal method from local government departments or from your seller.



This product meets all the basic EU regulation requirements that relate to it.

Changes to the text, design and technical specifications may occur without prior notice and we reserve the right to make these changes.

Original of this user manual is in czech language.

CHLADNIČKA - MRAZNIČKA

NÁVOD K POUŽITÍ

PHILCO



Famous for Quality the World Over

PCN 17742 EBI

Vážený zákazníku,

Děkujeme vám za zakoupení produktu značky PHILCO. Aby vám váš spotřebič dobře sloužil, přečtěte si prosím pečlivě všechny pokyny v této uživatelské příručce.

OBSAH

ČÁST 1: BEZPEČNOSTNÍ POKYNY	2
ČÁST 2: POPIS SPOTŘEBIČE	11
2.1 Rozměry.....	12
ČÁST 3: POUŽÍVÁNÍ SPOTŘEBIČE.....	13
3.1 Informace o technologii Frost Free	13
3.2 Displej a ovládací panel	13
3.3 Obsluha mrazicího prostoru vaší chladničky	13
3.4 Upozornění při nastavení teploty	15
3.5 Příslušenství	16
ČÁST 4: SKLADOVÁNÍ POTRAVIN.....	21
4.1 Chladnička	21
4.2 Mrazicí prostor	22
ČÁST 5: ČIŠTĚNÍ A ÚDRŽBA	26
5.1 Odmrazování	26
ČÁST 6: DOPRAVA A PŘEMÍSTĚNÍ	27
ČÁST 7: NEŽ KONTAKTUJETE SERVISNÍ STŘEDISKO.....	27
ČÁST 8: TIPY NA ÚSPORU ENERGIE.....	29
ČÁST 9: INFORMAČNÍ LIST	32



Vážený zákazníku,
děkujeme vám za koupi produktu značky PHILCO. Aby vám váš spotřebič dobře sloužil, přečtěte si
prosím pozorně všechny pokyny v této uživatelské příručce.

ČÁST 1: BEZPEČNOSTNÍ POKYNY



Z DŮVODU VAŠÍ BEZPEČNOSTI A SPRÁVNÉHO POUŽITÍ, JEŠTĚ PŘED INSTALACÍ A PRVNÍM POUŽITÍM SPOTŘEBIČE, SI POZORNĚ PŘEČTĚTE TUTO PŘÍRUČKU, VČETNĚ TĚCHTO TIPŮ A VAROVÁNÍ. ABYSTE ZABRÁNILI NEŽÁDOUCÍM CHYBÁM A NEHODÁM, JE DŮLEŽITÉ ZAJISTIT, ABY SE VŠECHNY OSOBY POUŽÍVAJÍCÍ TENTO SPOTŘEBIČ DŮKLADNĚ SEZNÁMILY S JEHO OBSLUHOU A BEZPEČNOSTNÍMI FUNKCEMI.

USCHOVEJTE SI TYTO POKYNY A V PŘÍPADĚ PŘEDÁNÍ SPOTŘEBIČE SE UJISTĚTE, ZDA ZŮSTAL TENTO NÁVOD VE SPOTŘEBIČI TAK, ABY BYL POUŽÍVÁN V PRŮBĚHU CELÉ ŽIVOTNOSTI A SPRÁVNĚ INFORMOVAL O SPRÁVNÉM POUŽÍVÁNÍ SPOTŘEBIČE A BEZPEČNOSTI. Z BEZPEČNOSTNÍCH DŮVODŮ A PRO OCHRANU MAJETKU DODRŽUJTE POKYNY V TOMTO NÁVODU, PROTOŽE VÝROBCE NENESE ŽÁDNOU ZODPOVĚDNOST ZA POŠKOZENÍ ZPŮSOBENÁ NEDODRŽENÍM TĚCHTO POKYNU.

- TENTO SPOTŘEBIČ MOHOU POUŽÍVAT DĚTI VE VĚKU 8 LET A STARŠÍ OSOBY SE SNÍŽENÝMI FYZICKÝMI, SMYSLOVÝMI NEBO MENTÁLNÍMI SCHOPNOSTMI NEBO S NEDOSTATKEM ZKUŠENOSTNÍ A ZNALOSTÍ, POKUD JSOU POD DOZOREM NEBO BYLY POUČENY O POUŽÍVÁNÍ SPOTŘEBIČE BEZPEČNÝM ZPŮSOBEM A ROZUMÍ PŘÍPADNÝM NEBEZPEČÍM.
- DĚTI VE VĚKU 3 AŽ 8 LET MOHOU VKLÁDAT A VYJÍMAT POTRAVINY Z CHLADÍCÍCH SPOTŘEBIČŮ.
- DĚTI SI SE SPOTŘEBIČEM NESMĚJÍ HRÁT.
- ČIŠTĚNÍ A ÚDRŽBU NESMĚJÍ PROVÁDĚT DĚTI BEZ DOZORU.

- POKUD JE PŘÍVODNÍ KABEL POŠKOZEN, JEHO VÝMĚNU SVĚŘTE ODBORNÉMU SERVISNÍMU STŘEDISKU, ABY SE ZABRÁNILO VZNIKU NEBEZPEČNÉ SITUACE . SPOTŘEBIČ S POŠKOZENÝM PŘÍVODNÍM KABLEM JE ZAKÁZANO POUŽÍVAT.

- **VÝSTRAHA:** POKUD VÁŠ MODEL MÁ VÝROBNÍK LEDU BEZ PŘIPOJENÍ PŘÍVODU VODY, PLŇTE POUZE PITNOU VODOU.

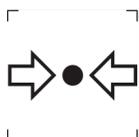
- **VÝSTRAHA:** POKUD VÁŠ MODEL MÁ VÝROBNÍK LEDU BEZ PŘIPOJENÍ PŘÍVODU VODY, PLŇTE POUZE PITNOU VODOU.

- **VÝSTRAHA:** K URYCHLENÍ ODMRAZOVACÍHO PROCESU NEPOUŽÍVEJTE MECHANICKÁ ZAŘÍZENÍ NEBO JINÉ PROSTŘEDKY NEŽ TY, KTERÉ JSOU DOPORUČENY VÝROBCEM.

- **VÝSTRAHA:** NEPOŠKOZUJTE CHLADICÍ OBVOD.

- **VÝSTRAHA:** NEPOUŽÍVEJTE ELEKTRICKÉ SPOTŘEBIČE V PROSTORU PRO UCHOVÁVÁNÍ POTRAVIN SPOTŘEBIČE, POKUD SE NEJEDNÁ O TYPY DOPORUČENÉ VÝROBCEM.

- **VÝSTRAHA:** V TOMTO SPOTŘEBIČI NESKLADUJTE VÝBUŠNÉ LÁTKY JAKO JSOU AEROSOLOVÉ PLECHOVKY, SPREJE S HOŘLAVOU HNACÍ LÁTKOU.



ZNAČKA ISO 7000-1701 (2004-01)
OZNAČUJE MÉDIUM POD TLAKEM.

TENTO SPOTŘEBIČ JE URČEN PRO POUŽITÍ V DOMÁCNOSTI A PODOBNÝCH PROSTORECH, JAKO JSOU:

- KUCHYŇSKÉ KOUTY V OBCHODECH, KANCELÁŘÍCH A OSTATNÍCH PRACOVIŠTÍCH;
- SPOTŘEBIČE POUŽÍVANÉ HOSTY V HOTELÍCH, MOTELECH A JINÝCH OBYTNÝCH PROSTŘEDÍCH;
- SPOTŘEBIČE POUŽÍVANÉ V PODNICÍCH ZAJIŠŤUJÍCÍCH NOCLEH SE SNÍDANÍ;
- SPOTŘEBIČE POUŽÍVANÉ VE STRAVOVACÍCH A PODOBNÝCH NEPRODEJNÍCH PROSTŘEDÍCH.

POUZE NĚKTERÉ VYBRANÉ MODELY CHLADNIČEK OBSAHUJÍ VÝROBNÍK LEDU. ZABUDOVANÉ VÝROBNÍKY LEDU MUSÍ BÝT INSTALOVÁNY POUZE VÝROBCEM NEBO JEHO SERVISNÍ ORGANIZACÍ.

- PRO VYBRANÉ MODELY S VÝROBNÍKEM LEDU S PŘIPOJENÍM NA VODU PLATÍ: **VÝSTRAHA:** PŘIPOJUJE SE POUZE NA PŘÍVOD PITNÉ VODY.
- **VÝSTRAHA:** SPOTŘEBIČ MUSÍ BÝT PŘIPEVNĚN PODLE NÁVODU, ABY SE ZABRÁNILO NEBEZPEČÍ ZPŮSOBENÝM JEHO NESTABILITOU.
- **VÝSTRAHA:** CHLADICÍ SYSTÉM OBSAHUJE CHLADIVO POD VYSOKÝM TLAKEM. NEMANIPULUJTE SE SYSTÉMEM. MUSÍ BÝT OPRAVOVÁN POUZE KVALIFIKOVANOU OSOBOU.



VÝSTRAHA:
NEBEZPEČÍ OHNĚ / HOŘLAVÉ MATERIÁLY!

OBSAHUJE CHLADICÍ PLYN IZOBUTAN

R600A

CHLADIVO

CHLADICÍ IZOBUTAN (R600A), KTERÝ JE OBSAŽEN V CHLADICÍM OKRUHU SPOTŘEBIČE, JE PŘÍRODNÍ PLYN S VYSOKOU KOMPATIBILITOU SE ŽIVOTNÍM PROSTŘEDÍM, KTERÝ JE PŘECE JEN HOŘLAVÝ. BĚHEM PŘEPRAVY A INSTALACE SPOTŘEBIČE ZABRAŇTE POŠKOZENÍ KOMPONENT CHLADICÍHO OKRUHU. CHLADIVO (R600A) JE HOŘLAVÉ.

• **VAROVÁNÍ** — CHLADNIČKY V IZOLACI OBSAHUJÍ CHLADIVO A CHLADICÍ PLYNY. CHLADIVO A CHLADICÍ PLYNY MUSÍ BÝT LIKVIDOVÁNY ODBORNĚ, PROTOŽE MOHOU ZPŮSOBIT PORANĚNÍ OČÍ NEBO VZNÍCENÍ. PŘED PROVEDENÍM SPRÁVNÉ LIKVIDACE SE UJISTĚTE, ZDA NENÍ POTRUBÍ CHLADICÍHO OKRUHU POŠKOZENO.



SYMBOL  VAROVÁNÍ A ZNAMENÁ TO, ŽE CHLADIVO A CHLADICÍ PLYNY JSOU HOŘLAVÉ.

VAROVÁNÍ: RIZIKO POŽÁRU HOŘLAVÝCH MATERIÁLŮ

POKUD BY DOŠLO K POŠKOZENÍ CHLADICÍHO OKRUHU

- VYHNĚTE SE OTEVŘENÉMU OHNI A ZDROJŮM VZNÍCENÍ.

- DŮKLADNĚ VYVĚTREJTE MÍSTNOST, VE KTERÉ SE SPOTŘEBIČ NACHÁZÍ.

JE NEBEZPEČNÉ MĚNIT NEBO UPRAVOVAT SPOTŘEBIČ JAKÝMKOLIV ZPŮSOBEM.

JAKÉKOLIV POŠKOZENÍ NAPÁJECÍHO KABELU MŮŽE VÉST KE ZKRATU, POŽÁRU A/NEBO ZASAŽENÉM ELEKTRICKÝM PROUDEM.

● **VÝSTRAHA:** CHLADICÍ SYSTÉM OBSAHUJE CHLADIVO POD VYSOKÝM TLAKEM. NEMANIPULUJTE SE SYSTÉMEM. MUSÍ BÝT OPRAVOVÁN POUZE KVALIFIKOVANOU OSOBOU.

● **VÝSTRAHA:** PŘI UMÍSŤOVÁNÍ SPOTŘEBIČE SE MUSÍ ZAJISTIT, ABY NAPÁJECÍ PŘÍVOD NEBYL ZACHYCEN NEBO POŠKOZEN.

● **VÝSTRAHA:** NEUMÍSŤOVAT VÍCENÁSOBNÉ PŘENOSNÉ ZÁSUVKY NEBO PŘENOSNÉ PRODLUŽOVACÍ PŘÍVODY NA ZADNÍ STRANU SPOTŘEBIČE.



ELEKTRICKÁ BEZPEČNOST

1. NAPÁJECÍ KABEL NESMÍ BÝT PRODLUŽOVÁN.
2. UJISTĚTE SE, ZDA NENÍ ZÁSTRČKA NAPÁJECÍHO KABELU POŠKOZENÁ.
ROZDRCENÁ NEBO POŠKOZENÁ ZÁSTRČKA SE MŮŽE PŘEHŘÍVAT A ZPŮSOBIT POŽÁR.
3. UJISTĚTE SE, ZDA MÁTE VOLNÝ PŘÍSTUP K ZÁSTRČCE SPOTŘEBIČE.
4. NETAHEJTE ZA NAPÁJECÍ KABEL.

5. POKUD JE ELEKTRICKÁ ZÁSUVKA UVOLNĚNÁ, NEPŘIPOJUJTE K NÍ ZÁSTRČKU. HROZÍ RIZIKO ÚRAZU ELEKTRICKÝM PROUDEM NEBO VZNIKU POŽÁRU.
6. NESMÍTE POUŽÍVAT TENTO SPOTŘEBIČ BEZ KRYTU VNITŘNÍHO OSVĚTLENÍ.
7. CHLADNIČKA JE URČENA POUZE NA NAPÁJENÍ Z JEDNÉ FÁZE STŘÍDAVÉHO PROUDU S HODNOTAMI 220~240 V/50 HZ. POKUD JE KOLÍSÁNÍ NAPĚTÍ V MÍSTĚ BYDLIŠTĚ UŽIVATELE TAK VELKÉ, ŽE PŘESAHUJE VÝŠE UVEDENÉ LIMITY, Z BEZPEČNOSTNÍCH DŮVODŮ POUŽIJTE PRO CHLADNIČKU AUTOMATICKÝ NAPĚŤOVÝ REGULÁTOR S VÍCE NEŽ 350 W.

CHLADNIČKA MUSÍ BÝT VYBAVENA SPECIÁLNÍ NAPÁJECÍ ZÁSTRČKOU NAMÍSTO BĚŽNĚ POUŽÍVANÉ S JINÝMI ELEKTRICKÝMI SPOTŘEBIČI. ZÁSTRČKA MUSÍ ZODPOVÍDAT ZÁSUVCE S UZEMŇOVACÍM KONTAKTEM.

BĚŽNÉ POUŽITÍ

- VE SPOTŘEBIČI NESKLADUJTE HOŘLAVÉ PLYNY ANI TEKUTINY. HROZÍ RIZIKO EXPLOZE.
- VE SPOTŘEBIČI NEPOUŽÍVEJTE JINÉ ELEKTRICKÉ SPOTŘEBIČE (NAPŘ. ELEKTRICKÝ VÝROBNÍK ZMRZLINY, MIXÉRY ATD.).
- PŘI ODPOJOVÁNÍ SPOTŘEBIČE Z ELEKTRICKÉ ZÁSUVKY, VŽDY TAHEJTE ZA ZÁSTRČKU. NETAHEJTE ZA KABEL.
- DO BLÍZKOSTI PLASTOVÝCH DÍLŮ TOHOTO SPOTŘEBIČE NEDÁVEJTE HORKÉ PŘEDMĚTY.
- NEDÁVEJTE ŽÁDNÉ PŘEDMĚTY DO BLÍZKOSTI VZDUCHOVÝCH OTVORŮ V ZADNÍ STĚNĚ.
- BALENÉ MRAZENÉ POTRAVINY SKLADUJTE V SOULADU S POKYNY VÝROBCE MRAZENÝCH POTRAVIN.

- MĚLI BYSTE STRIKTNĚ DODRŽOVAT DOPORUČENÍ TÝKAJÍCÍ SE SKLADOVÁNÍ VE SPOTŘEBIČI OD VÝROBCE. VIZ PŘÍSLUŠNÉ POKYNY O SKLADOVÁNÍ.
- DO MRAZICÍHO PROSTORU NEDÁVEJTE SYCENÉ NEBO ŠUMIVÉ NÁPOJE, PROTOŽE VYTVÁŘEJÍ TLAK NA NÁDOBU, KTERÁ MŮŽE EXPLODOVAT, COŽ MŮŽE VÉST K POŠKOZENÍ SPOTŘEBIČE.
- NEKONZUMUJTE MRAZENÉ POKRMY IHNED PO VYJMUTÍ Z MRAZNIČKY, MŮŽETE SE PORANIT.
- NEUMÍSTUJTE SPOTŘEBIČ NA PŘÍMÉ SLUNEČNÉ SVĚTLO.
- MĚJTE HORKÉ SVÍČKY, LAMPY A JINÉ PŘEDMĚTY S OTEVŘENÝM OHNĚM V DOSTATEČNÉ VZDÁLENOSTI OD SPOTŘEBIČE, ABYSTE ZABRÁNILI RIZIKU POŽÁRU.
- SPOTŘEBIČ JE URČEN NA USKLADNĚNÍ POKRMŮ A/ NEBO NÁPOJŮ V BĚŽNÉ DOMÁCNOSTI PODLE POPISU V NÁVODU. SPOTŘEBIČ JE TĚŽKÝ. ZVYŠTE POZORNOST PŘI JEHO PŘEMÍSTOVÁNÍ.
- NEVYJÍMEJTE ANI SE NEDOTÝKEJTE POLOŽEK V PROSTORU MRAZENÍ, POKUD MÁTE VLHKÉ/MOKRÉ RUCI, PROTOŽE TO MŮŽE VÉST K PORANĚNÍM POKOŽKY NEBO POPÁLENINÁM Z MRAZU.
- NIKDY NEPOUŽÍVEJTE DNO, ZÁSUVKY, DVÍŘKA APOD. NA STOUPÁNÍ NEBO JAKO PODPĚRU.
- MRAZENÉ POTRAVINY, NESMÍ BÝT PO ROZMRAZENÍ OPĚTOVNĚ ZMRAZENY.
- NEKONZUMUJTE LEDOVÉ NANUKY NEBO KOSTKY LEDU IHNED PO VYJMUTÍ Z MRAZNIČKY, PROTOŽE BYSTE SI TAK MOHLI PORANIT ÚSTA A RTY.
- ABYSTE ZABRÁNILI PÁDU PŘEDMĚTŮ A ZRANĚNÍ NEBO POŠKOZENÍ SPOTŘEBIČE, NEPŘETĚŽUJTE PŘIHRÁDKY DVÍŘEK ANI DO ZÁSUVK NE DÁVEJTE NADMĚRNÉ MNOŽSTVÍ POTRAVIN.

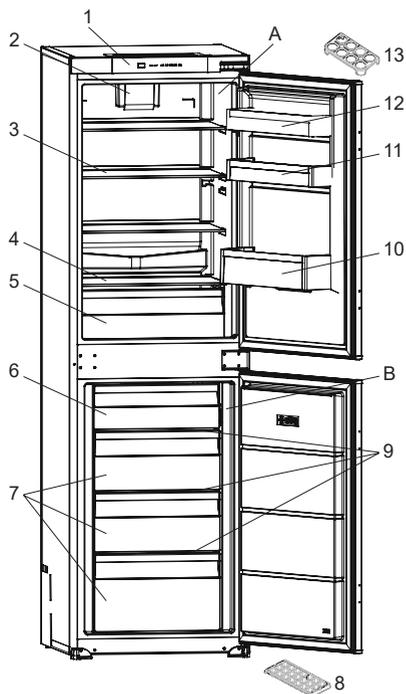
INSTALACE

DŮLEŽITÉ!

- PŘI PŘIPOJENÍ K ELEKTRICKÉ SÍTI BUĎTE OPATRNÍ, DODRŽUJTE POKYNY V TOMTO NÁVODU. SPOTŘEBIČ VYBALTE A ZKONTROLUJTE HO Z HLEDISKA VIDITELNÝCH POŠKOZENÍ.
- POKUD JE SPOTŘEBIČ POŠKOZENÝ, NEPŘIPOJUJTE HO. OZNAMTE PŘÍPADNÉ POŠKOZENÍ V MÍSTĚ ZAKOUPENÍ. V TOMTO PŘÍPADĚ SI NECHTE OBALOVÝ MATERIÁL.
- DOPORUČUJE SE POČKAT NĚKOLIK HODIN, PŘED PŘIPOJENÍM SPOTŘEBIČE, ABY SE OLEJ V KOMPRESORU USTÁLIL.
- OKOLO SPOTŘEBIČE ZAJISTĚTE DOSTATEČNÉ VĚTRÁNÍ, V OPAČNÉM PŘÍPADĚ MŮŽE DOCHÁZET K PŘEHŘÍVÁNÍ. PRO DOSAŽENÍ DOSTATEČNÉHO VĚTRÁNÍ DODRŽUJTE POKYNY K INSTALACI.
- POKUD JE TO MOŽNÉ, ZADNÍ STĚNA SPOTŘEBIČE BY NEMĚLA BÝT PŘÍLIŠ BLÍZKO STĚNY A NEMĚL BY SE DOTÝKAT HORKÝCH ČÁSTÍ (KOMPRESOR, KONDENZÁTOR), ABY SE ZABRÁNILO RIZIKU POŽÁRU, DODRŽUJTE PŘÍSLUŠNÉ POKYNY K INSTALACI.
- SPOTŘEBIČ NESMÍ BÝT UMÍSTĚN V BLÍZKOSTI RADIÁTORŮ NEBO SPORÁKŮ.
- PO INSTALACI SPOTŘEBIČE SE UJISTĚTE, ZDA JE SÍŤOVÁ ZÁSTRČKA SNADNO PŘÍSTUPNÁ.
- ODLOŽTE VŠECHNY OBALY MIMO DOSAH DĚTÍ, PROTOŽE HROZÍ RIZIKO UDUŠENÍ.

- VNITŘNÍ PROSTOR VAŠÍ CHLADNIČKY/MRAZNIČKY MŮŽE PŘED PRVNÍM POUŽITÍM ZAPÁCHAT. JE TO NORMÁLNÍ JEV. ZÁPACH ZMIZÍ, JAKMILE ZAČNE ZAŘÍZENÍ CHLADIT/MRAZIT.
- PŘED PŘIPOJENÍM CHLADNIČKY/MRAZNIČKY SE UJISTĚTE, ŽE NAPĚTÍ V ELEKTRICKÉ SÍTI ODPOVÍDÁ POŽADAVKŮM NA PŘIPOJENÍ CHLADNIČKY/MRAZNIČKY. V PŘÍPADĚ POCHYBNOSTÍ SE OBRÁŤTE NA KVALIFIKOVANÉHO ELEKTRIKÁŘE.
- SPOTŘEBIČ MUSÍ BÝT PŘIPOJEN DO ZÁSUVKY S ODPOVÍDAJÍCÍM NAPĚTÍM A SPRÁVNĚ NAINSTALOVANOU POJISTKOVOU ZÁSUVKOU.
- CHLADNIČKA/MRAZNIČKA NESMÍ BÝT UMÍSTĚNA VENKU NEBO VYSTAVENA DEŠTI.
- CHLADNIČKA/MRAZNIČKA MUSÍ BÝT UMÍSTĚNA NEJMÉNĚ 50 CM OD TOPNÝCH TĚLES, TOPENÍ TRUB, PLYNOVÝCH TRUB ATD.
- POKUD JE CHLADNIČKA S MRAZNIČKOU UMÍSTĚNA VEDLE MRAZÁKU, MUSÍ MEZI NIMI BÝT MIN. 2 CM ROZESTUP.
- NA CHLADNIČKU/MRAZNIČKU NEPOKLÁDEJTE TĚŽKÉ VĚCI, NEZAKRÝVEJTE JI.
- NAD CHLADNIČKOU/MRAZNIČKOU MUSÍ BÝT MIN. 150 MM VOLNÝ PROSTOR.
- TENTO SPOTŘEBIČ JE VYROBEN K POUŽITÍ V DOMÁCNOSTECH A JE VHODNÝ POUZE PRO CHLAZENÍ /MRAZENÍ POTRAVIN. NENÍ VHODNÝ PRO KOMERČNÍ POUŽITÍ A / NEBO PRO SKLADOVÁNÍ LÁTEK S VÝJIMKOU POTRAVIN. VÝROBCE NENESE ZA ŽÁDNÉ ZTRÁTY, ZPŮSOBENÉ NEVHODNÝM POUŽITÍM SPOTŘEBIČE, ODPOVĚDNOST.

ČÁST 2: POPIS SPOTŘEBIČE



Tato prezentace slouží pouze pro informace o částech spotřebiče. Části se mohou lišit v závislosti na modelu spotřebiče.

- A) Chladnička
- B) Mraznička
- 1) Ovládací panel
- 2) Turbo ventilátor *
- 3) Poličky v chladničce
- 4) Kryt zásuvky na ovoce a zeleninu
- 5) Zásuvka na ovoce a zeleninu (crisper)
- 6) Horní zásuvka mrazničky / kryt
- 7) Zásuvky v mrazničce
- 8) Zásobník na led
- 9) Skleněné poličky v mrazničce
- 10) Polička na lahve
- 11) Polička ve dveřích (Nastavitelná polička ve dveřích *)
- 12) Polička ve dveřích
- 13) Držák na vejce

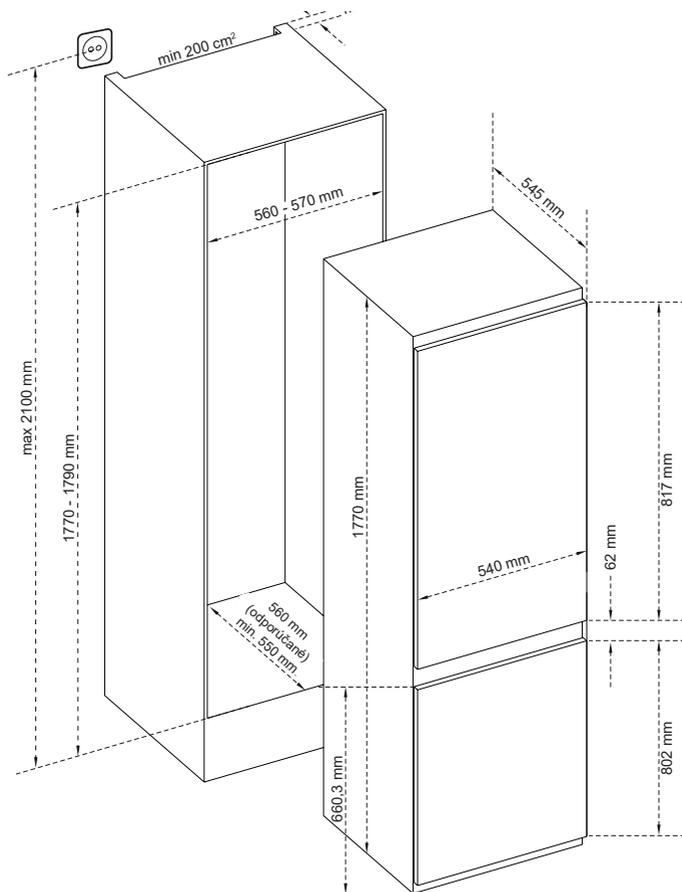
Obecné poznámky:

Oddělení pro čerstvé potraviny (Chladnička): Nejefektivnější využití energie je zajištěno při umístění zásuvek ve spodní části chladničky a rovnoměrném umístění polic, zatímco pozice košíků na dvířkách chladničky spotřebu energie neovlivňuje.

Oddělení pro zmrazené potraviny (Mraznička): Nejúčinnější využití energie je zajištěno v konfiguraci se zásuvkami a zásobníky ve skladové pozici.

2.1 Rozměry

* 1770 - 1778 pro kovový horní kryt



ČÁST 3: POUŽÍVÁNÍ SPOTŘEBIČE

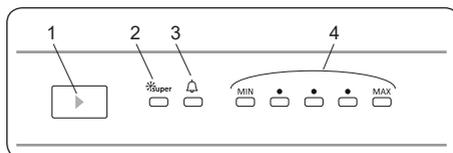
3.1 Informace o technologii Frost Free

Beznámrazové chladničky Frost Free mají jiný provozní systém v porovnání se statickými chladničkami. V normálních (statických) chladničkách se objevuje vlhkost, která se do nich dostane otevřením dveří a z vlhkosti v potravinách.

Tato vlhkost způsobuje námrazu v mrazničce. Chcete-li odmrazit námrazu a led v mrazničce, musíte pravidelně vypínat chladničku, vkládat mražené potraviny do samostatného vychlazeného zásobníku a poté odstraňovat led nahromaděný v mrazničce.

Situace je u beznámrazových chladniček naprosto jiná. Zabudovaný ventilátor dodává rovnoměrně suchý a studený vzduch do chladničky a mrazničky. Studený vzduch je rozptylován rovnoměrně mezi poličkami, díky čemuž všechny potraviny jsou ochlazovány ve stejné míře a ke hromadění vlhkosti a tvoření námrazy nedochází. Proto vám beznámrazová chladnička, kromě obrovské kapacity a moderního vzhledu, rovněž usnadňuje použití.

3.2 Displej a ovládací panel



Používání ovládacího panelu

1. Tlačítko nastavení teploty
2. Symbol super chlazení (Kontrolka super chlazení)
3. Symbol alarmu (Kontrolka alarmu)
4. Ukazatel nastavené teploty

3.3 Obsluha mrazicího prostoru vaší chladničky

Osvětlení (je-li k dispozici)

Když je produkt poprvé zapojen do sítě, vnitřní osvětlení se může kvůli testům otevírání opozdit o 1 minutu.

3.3.1 Tlačítko nastavení teploty

Toto tlačítko umožní provést nastavení teploty v chladničce. Stiskněte toto tlačítko a nastavte hodnoty teploty v chladničce.

Toto tlačítko použijte také k aktivaci režimu super chlazení.

3.3.2 Nastavení teploty

- Zajišťte, že nastavení teploty v chladničce a mrazničce se provede automaticky. Lze ho nastavit na libovolnou hodnotu od MIN do MAX a na režim super chlazení. Tisknutím tlačítka nastavení teploty od MIN k MAX bude teplota klesat. Pro úsporu energie v zimních měsících provozujte chladničku v nižších polohách.
- Výchozí nastavení teploty v chladničce je ve středním bodě.
- Pokaždé, když stisknete tlačítko pro nastavení teploty, nastavená teplota se sníží, dokud se nezobrazí symbol super chlazení, a pokud budete pokračovat, nastavená teplota se znovu vrátí na min.

3.3.3 Režim super chlazení

Kdy ho lze použít?

- Při chlazení velkého množství jídla.
- Při rychlém chlazení jídla.
- Při rychlém chlazení potravin.
- Při dlouhodobém skladování sezónních potravin.

Jak ho používat?

- Pokud stisknete tlačítko nastavení chladničky, dokud se na displeji zobrazí symbol super chlazení a během následujících 3 sekund nestisknete žádné jiné tlačítko, začne symbol super chlazení blikat.
- Během tohoto režimu se rozsvítí kontrolka super chlazení.
- Pro optimální výkon přístroj a maximální kapacitu chladničky přepněte zařízení do režimu super chlazení 5 hodin před tím, než do něho uložíte čerstvé potraviny.

Během tohoto režimu:

Pokud stisknete tlačítko nastavení teploty, režim se zruší a nastavení se obnoví od hodnoty MAX.



Režim super chlazení se automaticky zruší po 5 hodinách.

3.3.4 Kontrolka alarmu

V případě problémů s chladničkou se rozsvítí červená kontrolka alarmu.

3.3.5 Funkce alarmu – Otevřená dvířka

Pokud dveře chladničky zůstanou otevřené déle než 2 minuty, chladnička dvakrát zapípá.

3.4 Upozornění při nastavení teploty

- Vaše chladnička je navržena tak, aby pracovala v intervalech uvedených ve standardech, v souladu s třídou uvedenou na informačním štítku. Nedoporučuje se, abyste chladničku spouštěli v prostředí mimo uvedené teplotní intervaly. To by ovlivnilo účinnost chlazení.
- Nastavení teploty musí být provedeno v souladu s frekvencí otevírání dveří, množstvím potravin uložených v chladničce a okolní teplotou.
- Při prvním zapnutí nechte chladničku běžet 24 hodin, aby dosáhla provozní teploty. Během této doby neotvírejte dveře a neskladujte uvnitř velké množství potravin.
- Funkce 5minutového zpoždění je aktivní, aby se zabránilo poškození kompresoru vašeho spotřebiče při připojování nebo odpojování od sítě nebo při výpadku energie. Vaše chladnička začne fungovat normálně po 5 minutách.

Klimatická třída a význam:

Popis	Třída	Rozsah teplot okolí °C
Rozšířené mírné	SN	+10 to +32
Mírné	N	+16 to +32
Subtropické	ST	+16 to +38
Tropické	T	+16 to +43

Akronym pro rozmezí teploty okolí, tj. SN, N, ST nebo T, při určování klimatických tříd:

1. rozšířené mírné pásmo (SN) má rozmezí teploty od 10 °C do 32 °C;
2. mírné pásmo (N) má rozmezí teploty od 16 °C do 32 °C;
3. subtropické pásmo (ST) má rozmezí teploty od 16 °C do 38 °C a
4. tropické pásmo (T) má rozmezí teploty od 16 °C do 43 °C.

Turbo ventilátor (pokud je k dispozici)

Při skladování potravin neblokujte vstupní a výstupní otvory vzduchu, v opačném případě bude narušena cirkulace vzduchu poskytovaná turbo ventilátorem.

3.5 Příslušenství

Vizuální a textové popisy na části s příslušenstvím se mohou lišit podle modelu vašeho spotřebiče.

3.5.1 Zásobník na led (u některých modelů)

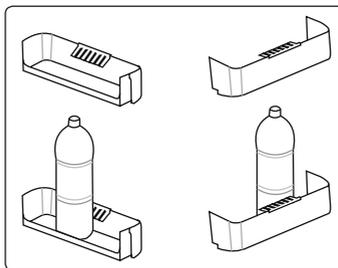
- Naplňte přihrádku na led vodou a vložte ji do prostoru mrazničky.
- Poté, co se voda zcela změní na led, můžete kostky ledu vyjmout z přihrádky podle následujícího obrázku.



3.5.2 Držák na lahve (u některých modelů)

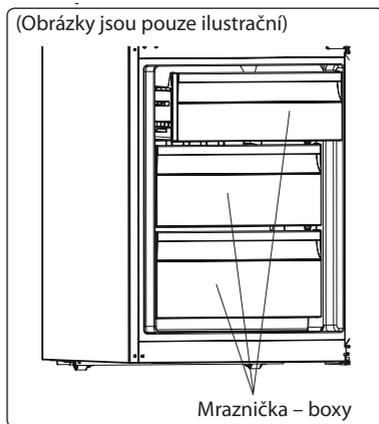


Použijte držák na láhve, abyste zabránili sklouznutí nebo převrácení láhví.

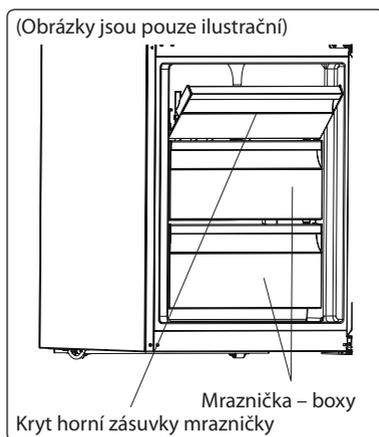


3.5.3 Mraznička – box

Box v mrazničce umožňuje jednodušší přístup k uloženým potravinám.



nebo



Vyjmutí boxu:

- Box vysuňte co nejdále to jde.
- Přední část boxu zdvihněte a vysuňte.

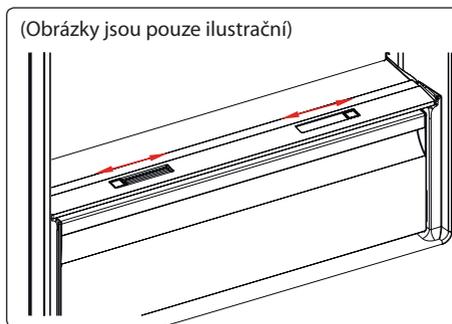


Pro opětovné vložení boxu proveďte obrácené kroky.

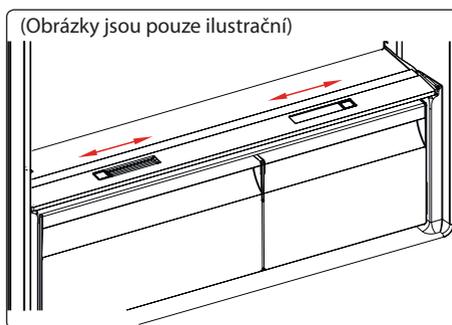


Při vyjímání boxu vždy používejte rukojeť.

3.5.4 Otočný regulátor (U některých modelů)



nebo



V případě, že je zásobník na zeleninu plný, lze otevřít otočný regulátor na přední straně zásobníku. Umožní to přívod čerstvého vzduchu do zásobníku a kontrolu vlhkosti, čímž se prodlouží trvanlivost potravin. Otevřete otočný regulátor na zadní straně poličky v případě vzniku kondenzátu na skleněné polici.

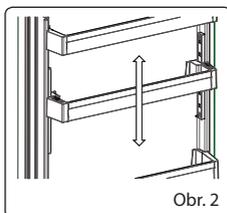
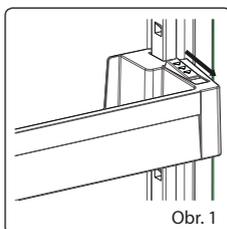
3.5.5 Nastavitelná polička ve dveřích (u některých modelů)

K vytvoření úložných ploch, které potřebujete, můžete použít nastavitelnou poličku ve dveřích.

Pro změnu pozice nastavitelné poličky ve dveřích:

Přidržíte tlačítko poličky a zatlačíte na tlačítka po stranách poličky ve dveřích ve směru šipky. (Obr. 1)

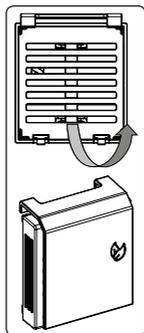
Poličku ve dveřích umístíte do potřebné výšky, posunutím nahoru a dolů. Jakmile dosáhnete požadované polohy, uvolníte tlačítka na boční straně police (obr. 2). Před uvolněním police ji zkuste posunout nahoru a dolů, abyste se ujistili, že je ve dveřích upevněna.



Poznámka: Před přesunutím naplněné poličky ve dveřích musíte poličku přidržet pomocí tlačítka. V opačném případě by mohla polička ve dveřích v důsledku hmotnosti vyklouznout z drážek. Tak by se mohla polička ve dveřích nebo drážky poškodit.

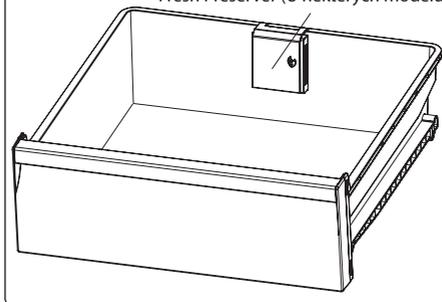
3.5.6 Technologie zachování čerstvosti potravin Maxi-Fresh Preserver (pokud je k dispozici)

Technologie Maxi Fresh Preserver umožňuje odstranit ethylenový plyn (prchavá organická sloučenina přirozeně uvolňovaná z čerstvých potravin) a nepříjemné pachy z oddílů pro čerstvé potraviny. Tak zůstanou potraviny čerstvé déle.



- Příhrádku s technologií Maxi Fresh Preserver je nutné jednou za rok vyčistit. Filtr je nutné umístit na 2 hodiny do trouby při 65 °C.
- Pro vyčištění filtru odstraňte zadní kryt filtru vytažením ve směru šipky.
- Filtr by neměl být čištěn vodou ani žádným čisticím prostředkem.

(Obrázky jsou pouze ilustrační)
Technologie zachování čerstvosti potravin Maxi-Fresh Preserver (U některých modelů)



Vizuální a textové popisy na části s příslušenstvím se mohou lišit podle modelu vašeho spotřebiče.

4.1 Chladnička

- Abyste snížili vlhkost a následnou tvorbu námrazy, nikdy neumísťujte kapaliny do neutěsněných nádob. Námraza má tendenci hromadit se v nejchladnějších částech výparníku a proto je třeba provádět častější odmrazování.
 - Vařené pokrmy musí zůstat zakryté, když jsou uloženy v lednici. Do chladničky nevkládějte teplá jídla. Vložte je do chladničky, až když vychladnou, v opačném případě se zvýší teplota / vlhkost uvnitř chladničky, čímž se sníží její účinnost.
 - Zajistěte, aby žádné předměty nebyly v přímém kontaktu se zadní stěnou spotřebiče, protože by se mohla vytvářet námraza a obal by se přilepil na stěnu. Dveře chladničky příliš často neotevírejte.
 - Doporučujeme, aby maso a ryby byly volně zabaleny a uloženy na skleněné polici těsně nad zásuvkou na zeleninu, kde je chladnější vzduch, protože to zajišťuje nejlepší podmínky skladování.
 - Ovoce a zeleninu uchovávejte v crisperu (zásuvka na ovoce a zeleninu).
 - Skladování ovoce a zeleniny odděleně pomáhá tomu, aby zelenina citlivá na etylén (listová zelenina, brokolice, mrkev, atd.) nebyla ovlivněna ovocem, které etylén uvolňuje (banány, broskve, meruňky, fíky atd.).
 - Do chladničky nesmíte vkládat vlhkou zeleninu.
 - Délka skladování všech potravin závisí na počáteční kvalitě potravin a nepřerušovaném chladícím cyklu před skladováním v chladničce.
 - Voda vytékající z masa může kontaminovat jiné produkty v chladničce. Maso musíte zabalit a jakoukoli kontaminaci vyčistit.
 - Potraviny nevkládějte před otvory pro proudění vzduchu.
 - Balené potraviny spotřebujte před doporučeným datem expirace.
- Dbejte na to, aby potraviny nepřišly do kontaktu se snímačem teploty, který je umístěn v prostoru chladničky, za účelem udržování optimální teploty.
- Za normálních pracovních podmínek postačí nastavit teplotu chladničky na +4 °C.
 - Teplota chladicího oddílu by měla být v rozmezí 0–8 °C, čerstvé potraviny jsou při teplotě pod 0 °C ledové a hnijí a při teplotě nad 8 °C se zvyšuje množství bakterií a potraviny se kazí.
 - Nevkládějte do chladničky horká jídla, nechte je zchladnout na pokojovou teplotu. Horká jídla zvyšují teplotu chladničky a mohou způsobit otravu jídlem nebo zbytečné zkažení potravin.
 - Maso, ryby a podobné potraviny by měly být skladovány v chilleru a zelenina v přihrádce na zeleninu (pokud je k dispozici).
 - Aby se zabránilo křížové kontaminaci, neuchovávejte masné výrobky s ovocem a zeleninou.
 - Potraviny v chladničce mají být uchovávány v uzavřených nádobách nebo v jiných vhodných obalech tak, aby do chladničky neuvolňovaly pachy a vlhkost.

Následující tabulka je rychlým průvodcem, který vám ukáže neefektivnější způsob skladování hlavních skupin potravin v chladničce.

Potraviny	Maximální délka skladování	Jak a kde ukládat
Ovoce a zelenina	1 týden	Zásuvka na zeleninu
Maso a ryby	2 – 3 dny	Zabalte do plastové fólie, sáčků nebo do vložte nádoby na maso a uložte na skleněnou polici
Čerstvý sýr	3 – 4 dny	Na určenou polici ve dveřích
Máslo a margarín	1 týden	Na určenou polici ve dveřích
Produkty v lahvích, například mléko a jogurt	Do expirace doporučené výrobcem	Na určenou polici ve dveřích
Vejce	1 měsíc	Na polici určené pro vejce
Vařené potraviny	2 dny	Všechny policičky

POZNÁMKA:



Brambory, cibule a česnek se v chladničce nesmí skladovat.

4.2 Mrazicí prostor

- Mraznička se používá pro skladování mražených potravin, zmrazování čerstvých potravin a výrobu kostek ledu.
- Potraviny v tekuté formě by měly být zmrazeny v plastových kelímcích a jiné potraviny by měly být zmrazeny v plastových fóliích nebo sáčcích. Zabalte a řádně utěsněte čerstvé potraviny, to znamená, že obal by měl být vzduchotěsný a neměl by prosakovat. Ideální jsou speciální sáčky do mrazničky,lobal, polyetylenové sáčky a plastové nádoby.
- Čerstvé potraviny nevkládejte do blízkosti zmražených potravin, neboť by mohlo dojít k rozmrazení potravin.
- Před zmrazením čerstvých potravin je rozdělte na porce, které lze najednou spotřebovat.
- Potraviny po rozmrazení spotřebujte během krátké doby.
- Při skladování mražených potravin vždy dodržujte pokyny výrobce na obalu. Nejsou-li uvedeny žádné informace, potraviny nesmí být skladovány déle než 3 měsíce od data nákupu.
- Když koupíte zmrazené potraviny, zkontrolujte, zda byly zmrazeny při vhodných podmínkách a balení není poškozené.
- Zmrazené potraviny by měly být přepravovány ve vhodných nádobách a umístěny co nejdříve do mrazničky.
- Nekupujte mražené potraviny, pokud obal vykazuje známky vlhkosti nebo neobvyklé nafouknutí. Je pravděpodobné, že byly skladovány při nevhodné teplotě a stav obsahu se zhoršil.
- Délka uskladnění mražených potravin závisí na pokojové teplotě, nastavení termostatu, na tom, jak často se dvířka otevírají, jaký typ potravin to je a jaká je doba nutná pro přepravu výrobku z obchodu k vám domů. Vždy dodržujte pokyny na obalu a nikdy nepřekračujte maximální uvedenou délku uskladnění.

- Pokud zůstanou dveře mrazničky delší dobu otevřené nebo nejsou správně zavřené, vytvoří se námraza, která může bránit účinné cirkulaci vzduchu. Chcete-li problém vyřešit, odpojte mrazničku a počkejte, až se odmrazí. Po úplném odmrazení mrazničku vyčistěte.
- Objem mrazničky uvedený na štítku nezahrnuje zásuvky, kryty atd.
- Rozmrazené potraviny znovu nezmrazujte. Mohlo by vám to způsobit zdravotní problémy, např. otravu jídlem.

POZNÁMKA: Pokud se pokusíte otevřít dveře mrazničky ihned po jejich zavření, zjistíte, že se snadno neotevřou. To je normální. Jakmile je dosaženo rovnováhy, dveře se snadno otevřou.

- Použijte přihrádku pro rychlé mrazení, chcete-li zmrazit domácí pokrmy (a všechny další potraviny, které chcete rychle zmrazit) rychleji, díky většímu mrazicímu výkonu této poličky. Přihrádka pro rychlé mrazení je spodní zásuvka mrazničky.
- Chcete-li využít maximální kapacitu prostoru mrazničky, použijte skleněné police v horní a střední části a dolního koše ve spodní části.



Níže uvedená tabulka slouží jako stručný průvodce, který vám ukáže nejúčinnější způsob, jak uložit hlavní skupiny potravin do mrazničky.

Maso a ryby	Příprava	Maximální doba skladování (v měsících)
Steak	Zabalte do fólie	6 - 8
Jehněčí maso	Zabalte do fólie	6 - 8
Telecí játra	Zabalte do fólie	6 - 8
Kostky telecího masa	Rozdělte na malé kousky	6 - 8
Kostky jehněčího masa	Rozdělte na kousky	4 - 8
Mleté maso	V sáčcích bez použití koření	1 - 3
Droby (kousky)	Rozdělte na kousky	1 - 3
Boloňská klobása/salám	Měly by být zabaleny, i když mají blánu	1 - 3
Kuře a krůta	Zabalte do fólie	4 - 6
Husa a kachna	Zabalte do fólie	4 - 6
Jelen, králík, divočák	V porcích po 2,5 kg a jako filety	6 - 8
Sladkovodní ryby (losos, kapr, pstruh, sumec)	Po odstranění střev a šupin z ryb je omyjte a osušte; a pokud je to nutné, odřízněte ocas a hlavu.	2
Libová ryba; okoun, kambala, platýs		4
Tučné ryby (tuňák, makrela, lufara dravá, sardel)		2 - 4
Měkkýši	Vyčištěné a v sáčcích	4 - 6
Kaviár	Ve svém balení, hliníkové nebo plastové nádobě	2 - 3
Šneci	Ve slané vodě, hliníkové nebo plastové nádobě	3
 Poznámka: Mrazené maso by mělo být po rozmrazení tepelně zpracováno jako čerstvé maso. Pokud maso není po rozmrazení tepelně zpracováno, nesmí se znovu zmrazit.		

Zelenina ovoce	Příprava	Maximální doba skladování (v měsících)
Zelené fazolky	Omyjte a nakrájejte na malé kousky a uvařte ve vodě	10 - 13
Fazole	Oloupejte a omyjte a uvařte ve vodě	12
Zelí	Očistěte a uvařte ve vodě	6 - 8
Mrkev	Očistěte a nakrájejte na plátky a uvařte ve vodě	12
Paprika	Odřízněte stonk, rozřízněte na dvě části, odstraňte semínka a uvařte ve vodě	8 - 10
Špenát	Očistěte a uvařte ve vodě	6 - 9
Květák	Odstraňte listy, srdce nakrájejte na kousky a nechte chvíli ve vodě s trochou citronové šťávy	10 - 12
Lilek	Po umytí nakrájejte na 2 cm kousky	10 - 12
Kukuřice	Vyčistěte a zabalte se stonkem nebo jako sladkou kukuřici	12
Jablko a hruška	Oloupejte a nakrájejte	8 - 10
Meruňka a broskev	Nakrájejte na dvě části a odstraňte pecku	4 - 6
Jahoda a ostružina	Omyjte a odstraňte stonky	8 - 12
Vařené ovoce	Do nádoby přidejte 10% cukru	12
Švestka, třešeň, brusinka	Omyjte a odstraňte stonky	8-12

	Maximální doba skladování (v měsících)	Čas rozmrazování při pokojové teplotě (v hodinách)	Čas rozmrazování při troubě (v minutách)
Chléb	4 - 6	2 - 3	4 - 5 (220 - 225 °C)
Sušenky	3 - 6	1 - 1,5	5 - 8 (190 - 200 °C)
Pečivo	1 - 3	2 - 3	5 - 10 (200 - 225 °C)
Koláč	1 - 1,5	3 - 4	5 - 8 (190 - 200 °C)
Filo těsto	2 - 3	1 - 1,5	5 - 8 (190 - 200 °C)
Pizza	2 - 3	2 - 4	15 - 20 (200 °C)

	Maximální doba skladování (v měsících)	Čas rozmrazování při pokojové teplotě (v hodinách)	Čas rozmrazování při troubě (v minutách)
Balené (homogenizované) mléko	Ve vlastním balení	2 - 3	Čistě mléko - ve vlastním balení
Sýr - kromě bílého sýra	Na plátky	6 - 8	Na krátkodobé skladování je možné použít původní obal. Uchovávejte zabalené ve fólii delší dobu.
Máslo, margarín	Ve vlastním balení	6	

ČÁST 5: ČIŠTĚNÍ A ÚDRŽBA



Před čištěním odpojte spotřebič od napájení.



Spotřebič nemyjte tak, že na něj nalijete vodu.



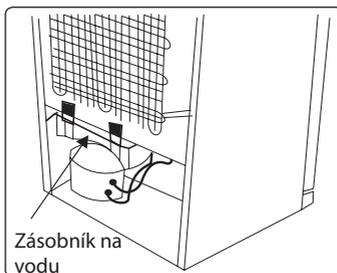
Na čištění spotřebiče nepoužívejte abrazivní výrobky, čisticí prostředky ani mýdla. Po umytí opláchněte čistou vodou a opatrně osušte. Po dokončení čištění znovu zapojte zástrčku do elektrické sítě suchýma rukama.

- Dbejte na to, aby čisticí voda nevnikla do krytu žárovky a dalších elektrických součástí.
- Prostor spotřebiče je nutno pravidelně čistit pomocí roztoku jedlé sody a vlažné vody.
- Příslušenství čistěte samostatně v ruce mýdlem a vodou. Neumývejte příslušenství v myčce nádobí.
- Kondenzátor čistěte kartáčem nejméně dvakrát ročně. To vám pomůže ušetřit náklady na energii a zvýšit produktivitu.



Během čištění musí být spotřebič odpojen od napájení.

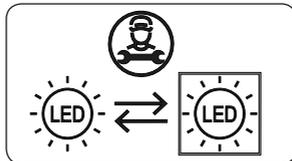
5.1 Odmrazování



- Váš spotřebič provádí automatické odmrazování. Voda nahromaděná v důsledku odmrazování prochází skrz sběrač vody, stéká do zásobníku na vodu na zadní straně spotřebiče a tam se odpaří.
- Před čištěním zásobníku na vodu se ujistěte, že jste odpojili spotřebič od elektrické sítě.
- Zásobník na vodu vyjměte odstraněním šroubů (pokud má šrouby). V určených časových intervalech očistěte vodou s čisticím prostředkem. Zamezí se tím tvorbě pachů.

Výměna LED osvětlení

Chcete-li vyměnit kteroukoli z LED diod, kontaktujte nejbližší autorizované servisní středisko.



Poznámka: Počet a umístění LED pásků se může lišit v závislosti na modelu.

Pokud je výrobek vybaven LED lampou

Tento výrobek obsahuje světelný zdroj energetické třídy <E>.

Pokud je produkt vybaven LED páskami nebo LED kartami Tento výrobek obsahuje světelný zdroj energetické třídy <F>.

ČÁST 6: DOPRAVA A PŘEMÍSTĚNÍ

6.1 Přeprava a přemístění

- Pro přemístění je třeba uchovat původní balení a pěnu (volitelné).
- Spotřebič musíte upevnit v obalu, pomocí páسů nebo silných kabelů a postupovat dle pokynů pro přepravu, které jsou na obalu.
- Při přemístování nebo přepravě vyjměte všechny pohyblivé části nebo je připevněte do spotřebiče pomocí páسů, aby během přemístování a přepravy nedošlo k nárazům.



Spotřebič vždy přenášejte ve svislé poloze.

ČÁST 7: NEŽ KONTAKTUJETE SERVISNÍ STŘEDISKO

Chyby

Spotřebič vás varuje, pokud teplota klesne na nesprávnou úroveň nebo když dojde k problému se spotřebičem. Pokud dojde k problému se spotřebičem, rozsvítí se červená kontrolka alarmu.

Led kontrolka alarmu svítí	VÝZNAM	PROČ	CO DĚLAT
	Upozornění na chybu	Některé části jsou mimo provoz nebo došlo k selhání chladicího procesu. Spotřebič je zapojen napoprvé nebo po dlouhodobém přerušení napájení pod dobu 1 hodiny.	Zkontrolujte, zda jsou dvířka otevřena nebo zavřena a zda je spotřebič v provozu po dobu 1 hodiny. Pokud dvířka nejsou otevřena a spotřebič byl v provozu po dobu 1 hodiny nebo více, kontaktujte co nejdříve servisní středisko.

Pokud narazíte na problém s vaším spotřebičem, před kontaktováním poprodejšího servisu zkontrolujte následující položky.

Váš spotřebič nefunguje

Zkontrolujte, zda:

- Je napájen
- Je zástrčka správně zasunuta do zásuvky
- Nepraskla síťová pojistka nebo pojistka zástrčky
- Není zásuvka vadná. Chcete-li to zkontrolovat, zapojte do stejné zásuvky další funkční zařízení.

Výkon spotřebiče je slabý

Zkontrolujte, zda:

- Není spotřebič přetížený
- Jsou dveře řádně zavřené
- Na kondenzátoru není prach
- Vzadu a po stranách je dostatek místa.

Váš spotřebič je při provozu hlučný

Normální zvuky

Praskání:

- Během automatického odmrazování
- Když se spotřebič zahřeje nebo zchladí (z důvodu expanze materiálu).

Krátké praskání: Tento zvuk zaslechnete když termostat zapne a vypne kompresor.

Zvuk motoru: Tento zvuk značí, že kompresor funguje normálně. Při prvním zapnutí může kompresor krátkodobě vydávat větší hluk.

Zvuk bublání a šplouchání:

Tento zvuk je způsoben průtokem chladiva v trubicích systému.

Zvuk proudění vody: Tento zvuk je způsoben vodou, která teče do odpařovací nádoby. Tento zvuk je během odmrazování normální.

Zvuk větru: U některých modelů chladnička vydává tento zvuk při normálním provozu, v důsledku cirkulace vzduchu.

Okraje spotřebiče, které jsou v kontaktu se spojem dveří, jsou teplé

To je normální, zejména v létě (teplé období), povrchy, které jsou v kontaktu se spojem dveří, se během provozu kompresoru zahřívají.

Uvnitř spotřebiče se hromadí vlhkost

Zkontrolujte, zda:

- Jsou všechny potraviny řádně zabalené. Jsou nádoby před vložením do spotřebiče suché.
- Dveře spotřebiče se často otevírají. Vlhkost v místnosti se při otevírání dveří dostane do spotřebiče. Vlhkost se hromadí rychleji, když dveře otevíráte častěji, zejména, je-li vlhkost v místnosti vysoká.

Dveře se neotevřou ani nezavřou správně

Zkontrolujte, zda:

- Zavírání dveří brání potraviny nebo obaly
- Jsou spoje dveří opotřebené nebo poškozené
- Váš spotřebič je na rovném povrchu.
- Kompresor může běžet hlasitě nebo se u některých modelů během provozu za určitých podmínek může zvýšit hluk kompresoru/chladničky, takže je výrobek poprvé zapojen do zásuvky v závislosti na změně okolní teploty nebo změně použití. To je normální; když chladnička dosáhne požadované teploty, hluk se automaticky sníží.

Doporučení

- Pokud je spotřebič vypnut nebo odpojen od elektrické sítě, počkejte nejméně 5 minut před připojením nebo opětovným spuštěním spotřebiče, aby nedošlo k poškození kompresoru.
- Pokud nebudete spotřebič používat delší dobu (např. během dovolené), odpojte jej od elektrické sítě. Spotřebič vyčistěte v souladu s pokyny v části „čištění“ a nechte dveře otevřené, abyste tak zabránili hromadění vlhkosti a zápachu.
- Pokud problém přetrvává i poté, co jste dodrželi všechny výše uvedené pokyny, obraťte se na nejbližší autorizovaný servis.
- Zakoupený spotřebič je určen pouze pro domácí použití. Nehodí se pro komerční použití. Pokud uživatel použije spotřebič způsobem, který je v rozporu s uvedenými funkcemi, zdůrazňujeme, že výrobce a prodejce nenesou zodpovědnost za žádnou opravu a selhání v rámci záručního období.

ČÁST 8: TIPY NA ÚSPORU ENERGIE

1. Umístěte spotřebič v chladném a dobře větraném prostoru, nikoli na přímém slunečním svitu či v blízkosti zdroje tepla (radiátoru nebo sporáku). Pokud tak neučiníte, použijte izolační desku.
2. Horké potraviny a nápoje nechte před vložením do spotřebiče vychladnout.
3. Pokud je to možné, potraviny nechte rozmrazit v chladničce. Nízká teplota zmrazených potravin pomůže zchladit prostor chladničky. To ušetří energii. Rozmrazování potravin mimo spotřebič způsobí ztráty energie.
4. Nápoje a jiné tekutiny by měly být ve spotřebiči zakryté. Pokud tomu tak není, vlhkost uvnitř spotřebiče se zvýší a spotřebič spotřebovává více energie. Nápoje a tekutiny rovněž zakryvejte kvůli zachování vůně a chuti.
5. Dveře nenechávejte dlouho otevřené ani je neotevírejte příliš často, neboť kvůli teplému vzduchu, který se do prostoru dostane, bude muset zbytečně často zapínat kompresor.
6. Udržujte kryty různých teplotních oddílů (příhrádka na zeleninu, chladicí prostor, pokud jsou k dispozici) uzavřené
7. Těsnění dveří musí být čisté a tvárné. V případě opotřebení těsnění vyměňte.

Pokyny ke skladování

Respektujte prosím následující pokyny, aby nedošlo ke kontaminaci potravin

- Dlouhé otevírání dveří může způsobit výrazné zvýšení teploty v oddělech spotřebiče.
- Pravidelně čistěte povrchy, které mohou přijít do styku s potravinami a přístupnými drenážními systémy.
- Syrové maso a ryby umístěte do vhodných nádob v chladničce, aby se nedostaly do kontaktu s jinými potravinami ani na ně nekapaly.
- **Dvuhvězdičkové prostory pro mražené potraviny jsou vhodné pro skladování předem zmrazených potravin, skladování nebo výrobu zmrzliny a výrobu kostek ledu.
- *Jedno-, **dvou- a *** tříhvězdičkové prostory nejsou vhodné pro zmrazování čerstvých potravin.

Č.	TYP prostoru	Cílová teplota skladování [°C]	Vhodné potraviny
1	Chladnička	+2 ~ +8	Vejce, vařené pokrmy, balené potraviny, ovoce a zelenina, mléčné výrobky, koláče, nápoje a jiné potraviny, které nejsou vhodné k mrazení.
2	(***)*- Mraznička	≤ -18	Mořské plody (ryby, krevety, měkkýši), čerstvé výrobky ze sladkovodních ryb a masné výrobky (doporučená doba jsou 3 měsíce, čím je doba skladování delší, tím je horší chuť a nutriční hodnoty), vhodné pro čerstvé zmrazené potraviny.
3	***- Mraznička	≤ -18	Mořské plody (ryby, krevety, měkkýši), čerstvé výrobky ze sladkovodních ryb a masné výrobky (doporučená doba jsou 3 měsíce, čím je doba skladování delší, tím je horší chuť a nutriční hodnoty), vhodné pro čerstvé zmrazené potraviny.
4	** - Mraznička	≤ -12	Mořské plody (ryby, krevety, měkkýši), čerstvé výrobky ze sladkovodních ryb a masné výrobky (doporučená doba jsou 2 měsíce, čím je doba skladování delší, tím je horší chuť a nutriční hodnoty), není vhodné pro čerstvé zmrazené potraviny.
5	*- Mraznička	≤ -6	Mořské plody (ryby, krevety, měkkýši), čerstvé výrobky ze sladkovodních ryb a masné výrobky (doporučená doba je 1 měsíc, čím je doba skladování delší, tím je horší chuť a nutriční hodnoty), není vhodné pro čerstvé zmrazené potraviny.
6	0 - hvězdiček	-6 ~ 0	Čerstvé vepřové maso, hovězí maso, ryby, kuřecí maso, některé balené zpracované potraviny atd. (Doporučuje se konzumovat v ten samý den, pokud možno neskladovat déle než 3 dny). Částečně zabalené zpracované potraviny (nemrzoucí potraviny)

7	Chlazení	-2 ~ +3	Čerstvé/mražené vepřové maso, hovězí maso, kuřecí maso, čerstvé výrobky ze sladkovodních ryb, atd. (7 dní při teplotě pod 0 °C a při teplotě nad 0 °C se doporučuje konzumovat v ten samý den, pokud možno neskladovat déle než 2 dny). Mořské plody (při teplotě pod 0 °C skladovat 15 dní, nedoporučuje se skladovat při teplotě nad 0 °C).
8	Čerstvé potraviny	0 ~ +4	Čerstvé vepřové maso, hovězí maso, ryby, kuřecí maso, vařené potraviny, atd. (Doporučuje se konzumovat v ten samý den, pokud možno neskladovat déle než 3 dny).
9	Víno	+5 ~ +20	Červené víno, bílé víno, šumivé víno atd.

Poznámka: Uchovávejte různé potraviny podle prostorů nebo cílové teploty skladování zakoupených výrobků.

- Pokud necháte chladicí spotřebič delší dobu prázdný, vypněte ho, odmrazte, vyčistěte, vysušte a nechte dvířka otevřená, abyste tak zabránili tvorbě plísní ve spotřebiči.

Rozmístění potravin ve spotřebiči

- Brambory, cibule a česnek by neměly být uchovávány v chladničce/mrazničce.
- Za normálních okolností je dostatečné nastavení teploty v chladničce na + 4 °C.
- Teplota chladničky by měla být v rozsahu 0 °C až 8 °C. Čerstvé potraviny skladované pod 0 °C zmrznou, hnijí. Bakteriální zátěž se zvyšuje při skladování nad 8 °C a potraviny se kazí.
- Nedávejte do chladničky/mrazničky teplá nebo horká jídla, počkejte, až vychladnou na pokojovou teplotu. Horká jídla zvyšují teplotu uvnitř chladničky/mrazničky a mohou být příčinou zbytečného kažení jídla a případnou otravou zkaženým jídlem.
- Maso, ryby atd. by měly být skladovány v chladicí přihrádce k tomu určené - pokud je k dispozici.
- Ovoce a zelenina by měly být skladovány v chladicí přihrádce k tomu určené - pokud je k dispozici.
- Abyste zabránili kontaminaci masných výrobků bakteriemi, ovoce a zeleninu neuchovávejte ve společné přihrádce. To samé platí i opačně - kontaminace ovoce a zeleniny bakteriemi masných výrobků.

ČÁST 9: INFORMAČNÍ LIST

Informační list

PHILCO 

DELEGOVANÉ NAŘÍZENÍ KOMISE (EU) 2019/2016

Název nebo ochranná známka výrobce: PHILCO

Adresa výrobce: FAST ČR, a.s. U Sanitasy 1621 Říčany 251 01, Czech Republic

Identifikační značka modelu: PCN 17742 EBI

Typ chladicího zařízení: vestavěná lednice

Nízkohlučný spotřebič:	Ne	Typ spotřebiče:	vestavěný
Zařízení pro skladování vína:	Ne	Ostatní chladicí spotřebiče	Ano

Základní specifikace:

Parametr	Hodnota	Parametr	Hodnota
Rozměry v mm	Výška	Celkový objem (dm ³ nebo l)	229
	Šířka		
	Hloubka		
Index energetické účinnosti (EEL)	100	Třída energetické účinnosti*	E
Akustický zvuk emise hluku (dB(A) re 1 pW)	41	Třída akustických emisí hluku	C
Roční spotřeba energie (kWh/rok)	232	Klimatická třída:	T/N
Minimální okolní teplota (° C), pro které je chladicí zařízení vhodné	16	Maximální okolní teplota (° C), pro které je chlazení zařízení je vhodné	43
Nastavení spotřebiče na zimu	Ne		

Specifikace prostoru

Typ prostoru	Parametry a hodnoty chladicího prostoru			
	Objem spotřebiče (dm ³ nebo l)	Doporučené nastavení teploty pro optimalizované skladování potravin (° C)	Mrazicí kapacita (kg/24h)	Typ odmrazování: (auto-odmrazování = A manuální odmrazování = M)
Komora / spíž	Ne	-	-	-
Skladování vína	Ne	-	-	-
Sklepní prostor	Ne	-	-	-
Čerstvé potraviny	Ano	144,9	4	A
Mrazicí prostor	Ne	-	-	-
0-hvězdička nebo výrobce ledu	Ne	-	-	-

1-hvězdička	Ne	-	-	-	-
2-hvězdička	Ne	-	-	-	-
3-hvězdička	Ne	-	-	-	-
4-hvězdička	Ano	84,7	-18	3,9	A
2-hvězdičkový prostor	Ne	-	-	-	-
Zásuvka s měnící se teplotou	Ne	-	-	-	-
4-hvězdičkový prostor					
Funkce rychlého zmrazení			Ne		
Parametry světelného zdroje:					
Typ světelného zdroje			LED		
Třída energetické účinnosti			G		
Minimální doba trvání záruky nabízené výrobcem: 24 měsíců					
Dodatečné informace:					
Webový odkaz na web výrobce, kde jsou informace uvedené v bodě 4 (a) přílohy nařízení Komise (EU) 2019/2022 nalezeno: https://www.fastcr.cz/					

TECHNICKÉ INFORMACE

Technické informace se nachází na typovém štítku na vnitřní straně spotřebiče a na energetickém štítku. QR kód, na dodaném energetickém štítku, obsahuje odkaz na registraci spotřebiče v databázi EU Eprel. Uchovejte si energetický štítek, návod k použití, spolu s dalšími dokumenty dodanými s přístrojem.

INFORMACE O TESTOVÁNÍ

Dodané zařízení je v souladu s Ecodesignem a EN 62552:2020, Regulation (EU) 2019/2016, Regulation (EU) 2019/2019 and Framework Regulation (EU) 2017/1369). Požadavky na přístup vzduchu pro správný provoz přístroje, minimální vzdálenost od zdi a rozměry přístroje, jsou součástí tohoto návodu. V případě dalších dotazů se obraťte na výrobce.

PÉČE O ZÁKAZNÍKA A SERVIS

Vždy používejte pouze originální náhradní díly.

Označení modelu a sériové číslo naleznete na typovém štítku. Polohu typového štítku je možné změnit bez předchozího upozornění.

Originální náhradní díly pro některé konkrétní komponenty jsou k dispozici minimálně 7 nebo 10 let.

Závisí to na typu komponentu a na uvedení posledního spotřebiče daného modelu na trh.

Při kontaktování našeho autorizovaného servisu mějte k dispozici modelové označení, sériové číslo a popis závady.

Pro stažení dokumentů navštivte www.philco.cz.

Pro nahlášení závady a získání dalších servisních informací navštivte <https://philco.cz/podpora-a-servis>.

Změny vyhrazeny bez předchozího upozornění.

POKYNY A INFORMACE TÝKAJÍCÍ SE LIKVIDACE POUŽITÝCH OBALOVÝCH MATERIÁLŮ

Obalové materiály zlikvidujte na veřejném místě pro likvidaci odpadu.

LIKVIDACE POUŽITÝCH ELEKTRICKÝCH A ELEKTRONICKÝCH SPOTŘEBIČŮ



Význam symbolu na výrobku, jeho příslušenství nebo obalu znamená, že s tímto výrobkem nesmí být zacházeno jako s komunálním odpadem. Tento výrobek zlikvidujte na příslušném sběrném místě pro recyklaci odpadu z elektrických a elektronických zařízení. Popřípadě je možné v některých státech Evropské unie nebo jiných evropských státech vrátit své výrobky místnímu prodejci, v případě koupě obdobného nového výrobku. Správná likvidace tohoto výrobku pomůže ušetřit cenné přírodní zdroje a pomoci při prevenci případného negativního vlivu na životní prostředí a lidské zdraví, ke kterému by mohlo dojít v důsledku nesprávné likvidace odpadu. Podrobnější informace získáte od místního úřadu nebo v nejbližším středisku pro sběr odpadu. Nesprávná likvidace tohoto typu odpadu může podléhat vnitrostátním předpisům o pokutách.

Pro podnikatelské subjekty v Evropské unii

Chcete-li zlikvidovat elektrické nebo elektronické zařízení, vyžádejte si potřebné informace od svého prodejce nebo dodavatele.

Likvidace v jiných státech mimo Evropské unie

Chcete-li zlikvidovat tento výrobek, vyžádejte si potřebné informace o správném způsobu likvidace od místních úřadů nebo svého prodejce.



Tento výrobek splňuje všechny základní požadavky nařízení EU, které se na něj vztahují.

Změny v textu, designu a technických údajích se mohou vyskytnout bez předchozího upozornění a vyhrazujeme si právo provést tyto změny.

Originál tohoto návodu k obsluze je v českém jazyce.

CHLADNIČKA - MRAZNIČKA

NÁVOD NA OBSLUHU

PHILCO



Famous for Quality the World Over

PCN 17742 EBI

**Vážený zákazník,
ďakujeme vám za kúpu produktu značky PHILCO. Aby vám váš spotrebič dobre slúžil, prečítajte si,
prosím, pozorne všetky pokyny v tejto používateľskej príručke.**

OBSAH

ČASŤ 1: BEZPEČNOSTNÉ POKYNY	2
ČASŤ 2: POPIS SPOTREBIČA.....	11
2.1 Rozmery.....	12
ČASŤ 3: POUŽÍVANIE SPOTREBIČA	13
3.1 Informácie o technológii Frost Free.....	13
3.2 Displej a ovládací panel	13
3.3 Prevádzka mraziaceho priestoru vašej chladničky	13
3.4 Upozornenia pri nastaveniach teploty	15
3.5 Príslušenstvo	16
ČASŤ 4: SKLADOVANIE POTRAVÍN.....	21
4.1 Chladiaci priestor	21
4.2 Mraziaci priestor	22
ČASŤ 5: ČISTENIE A ÚDRŽBA	26
5.1 Odmrazovanie	26
ČASŤ 6: DOPRAVA A PREMIESTNENIE	27
ČASŤ 7: SKÔR AKO KONTAKTUJETE SERVISNÉ STREDISKO.....	27
ČASŤ 8: TIPY NA ÚSPORU ENERGIE.....	29
ČASŤ 9: INFORMAČNÝ LIST	32



Vážený zákazník,
ďakujeme vám za kúpu produktu značky PHILCO. Aby vám váš spotrebič dobre slúžil, prečítajte si,
prosím, pozorne všetky pokyny v tejto používateľskej príručke.

ČASŤ 1: BEZPEČNOSTNÉ POKYNY



Z DÔVODU VAŠEJ BEZPEČNOSTI A SPRÁVNEHO POUŽITIA, EŠTE PRED INŠTALÁCIOU A PRVÝM POUŽITÍM SPOTREBIČA, SI POZORNE PREČÍTAJTE TENTO NÁVOD NA OBSLUHU, VRÁTANE TÝCHTO TIPOV A VAROVANÍ. ABY STE ZABRÁNILI NEŽIADUCIM CHYBÁM A NEHODÁM, JE DÔLEŽITÉ ZAISTIŤ, ABY SA VŠETKY OSOBY POUŽÍVAJÚCE TENTO SPOTREBIČ DÔKLADNE ZOZNÁMILI S JEHO OBSLUHOU A BEZPEČNOSTNÝMI FUNKCIAMI. USCHOVAJTE SI TIETO POKYNY A V PRÍPADE PREDANIA SPOTREBIČA SA UISTITE, ČI ZOSTAL TENTO NÁVOD V SPOTREBIČI TAK, ABY BOL POUŽÍVANÝ V PRIEBEHU CELEJ ŽIVOTNOSTI A SPRÁVNE INFORMOVAL O SPRÁVNOM POUŽÍVANÍ SPOTREBIČA A BEZPEČNOSTI. Z BEZPEČNOSTNÝCH DÔVODOV A PRE OCHRANU MAJETKU DODRŽIAVAJTE POKYNY V TOMTO NÁVODE, PRETOŽE VÝROBCA NENESIE ŽIADNU ZODPOVEDNOSŤ ZA POŠKODENIA SPÔSOBENÉ NEDODRŽANÍM TÝCHTO POKYNOV.

- TENTO SPOTREBIČ MÔŽU POUŽÍVAŤ DETI OD 8 ROKOV A OSOBY S OBMEDZENÝMI FYZICKÝMI, SENZORICKÝMI ALEBO MENTÁLNYMI SCHOPNOSŤAMI, ALEBO BEZ DOSTATOČNÝCH SKÚSENOSTÍ A ZNALOSTÍ, AK SÚ POD DOHĽADOM ALEBO BOLI POUČENÉ O SPRÁVNOM A BEZPEČNOM POUŽITÍ SPOTREBIČA A POROZUMELI MOŽNÝM RIZIKÁM.
- DETI VO VEKU 3 AŽ 8 ROKOV MÔŽU VKLADAŤ A VYBERAŤ POTRAVINY Z CHLADIACICH SPOTREBIČOV.
- DETI SA SO SPOTREBIČOM NESMÚ HRAŤ.
- ČISTENIE A ÚDRŽBU NESMÚ VYKONÁVAŤ DETI BEZ DOZORU.

- AK JE NAPÁJACÍ KÁBEL POŠKODENÝ, JEHO VÝMENU ZVERTE ODBORNÉMU SERVISNÉMU STREDISKU, ABY SA ZABRÁNILO VZNIKU NEBEZPEČENEJ SITUÁCIE. SPOTREBIČ S POŠKODENÝM NAPÁJACÍM KÁBLOM JE ZAKÁZANÉ POUŽÍVAŤ.
- **UPOZORNENIE:** AK MÁ VÁŠ MODEL VÝROBNÍK ĽADU BEZ PRIPOJENIA PRÍVODU VODY, NAPLNTE HO LEN PITNOU VODOU.
- **VAROVANIE:** VETRACIE OTVORY V KRYTE SPOTREBIČA ALEBO V JEHO KONŠTRUKCII JE POTREBNÉ UDRŽIAVAŤ VOĽNÉ A BEZ PREKÁŽOK.
- **VAROVANIE:** NA URÝCHLENIE PROCESU ODMRAZOVANIA NEPOUŽÍVAJTE MECHANICKÉ ZARIADENIA ANI INÉ PROSTRIEDKY AKO SÚ TIE, KTORÉ SÚ ODPORÚČANÉ VÝROBCOM.
- **VAROVANIE:** NEPOŠKODZUJTE CHLADIACI OBVOD.
- **VAROVANIE:** VO VNÚTRI SKLADOVACIEHO PRIESTORU SPOTREBIČA NEPOUŽÍVAJTE ELEKTRICKÉ ZARIADENIA, POKIAĽ NEJDE O TYP, KTORÝ JE ODPORÚČANÝ VÝROBCOM.
- **VAROVANIE:** VO VNÚTRI SKLADOVACIEHO PRIESTORU SPOTREBIČA NEPOUŽÍVAJTE ELEKTRICKÉ ZARIADENIA, POKIAĽ NEJDE O TYP, KTORÝ JE ODPORÚČANÝ VÝROBCOM.



ZNAČKA ISO 7000-1701 (2004-01)
OZNAČUJE MÉDIUM POD TLAKOM.

TENTO SPOTREBIČ JE URČENÝ NA POUŽITIE V DOMÁCNOSTI A NA PODOBNÉ ÚČELY, AKO SÚ NAPRÍKLAD:

- KUCHYNKY PRE ZAMESTNANCOV V PREDAJNIACH, KANCELÁRIÁCH A INÝCH PRACOVNÝCH PROSTREDIACH;
- NA FARMÁCH A KLIENTMI HOTELOV, MOTELOV A INÝCH PROSTREDÍ REZIDENČNÉHO TYPU;
- PROSTREDIE UBYTOVANIA S RAŇAJKAMI;
- STRAVOVANIE A PODOBNÉ MALOOBCHODNÉ VYUŽITIA.

LEN NIEKTORÉ VYBRANÉ MODELÝ CHLADNIČIEK OBSAHUJÚ VÝROBNÍK ĽADU. ZABUDOVANÉ VÝROBNÍKY ĽADU MUSIA BYŤ NAINŠTALOVANÉ LEN VÝROBCOM ALEBO JEHO SERVISNÝM STREDISKOM.

- PRE VYBRANÉ MODELÝ S VÝROBNÍKOM ĽADU S PRIPOJENÍM K VODE PLATÍ: **UPOZORNENIE:** PRIPÁJA SA LEN K PRÍVODU PITNEJ VODY.
- **UPOZORNENIE:** SPOTREBIČ MUSÍ BYŤ PRIPOJENÝ PODĽA NÁVODU, ABY SA ZABRÁNILO NEBEZPEČENSTVU SPÔSOBENÉMU JEHO NESTABILITOU.
- **UPOZORNENIE:** CHLADIACI SYSTÉM OBSAHUJE CHLADIVO POD VYSOKÝM TLAKOM. NEMANIPULUJTE SO SYSTÉMOM. MUSÍ BYŤ OPRAVOVANÝ LEN KVALIFIKOVANOU OSOBOU.



VAROVANIE:

NEBEZPEČENSTVO POŽIARU/HORĽAVÉ MATERIÁLY!

OBSAHUJE CHLADIACI PLYN IZOBUTÁN

R600A

CHLADIVO

CHLADIACI IZOBUTÁN (R600A), KTORÝ JE OBSIAHNUTÝ V CHLADIACOM OKRUHU SPOTREBIČA, JE PRÍRODNÝ PLYN S VYSOKOU KOMPATIBILITOU SO ŽIVOTNÝM PROSTREDÍM, KTORÝ JE PREDSA LEN HORĽAVÝ. POČAS PREPRÁVY A INŠTALÁCIE SPOTREBIČA ZABRÁŇTE POŠKODENIU KOMPONENTOV CHLADIACEHO OKRUHU. CHLADIVO (R600A) JE HORĽAVÉ.

• **VAROVANIE** — CHLADNIČKY V IZOLÁCII OBSAHUJÚ CHLADIVO A CHLADIACE PLYNY. CHLADIVO A CHLADIACE PLYNY MUSIA BYŤ LIKVIDOVANÉ ODBORNE, PRETOŽE MÔŽU SPÔSOBIŤ PORANENIE OČÍ ALEBO VZNIETENIE. PRED VYKONANÍM SPRÁVNEJ LIKVIDÁCIE SA UISTITE, ČI NIE JE POTRUBIE CHLADIACEHO OKRUHU POŠKODENÉ.



SYMBOL  VAROVANIE A ZNAMENÁ TO, ŽE CHLADIVO A CHLADIACE PLYNY SÚ HORĽAVÉ.

VAROVANIE: RIZIKO POŽIARU HORĽAVÝCH MATERIÁLOV

AK BY DOŠLO K POŠKODENIU CHLADIACEHO OKRUHU:

- VYHNITE SA OTVORENÉMU OHŇU A ZDROJOM VZNIETENIA.
- DÔKLADNE VYVETRAJTE MIESTNOSŤ, V KTOREJ SA SPOTREBIČ NACHÁDZA.

JE NEBEZPEČNÉ MENIŤ ALEBO UPRAVOVAŤ SPOTREBIČ AKÝMKOLĽVEK SPÔSOBOM.

AKÉKOLĽVEK POŠKODENIE NAPÁJACIEHO KÁBLA MÔŽE VIESŤ K SKRATU, POŽIARU A/ALEBO ZASIAHNUTIU ELEKTRICKÝM PRÚDOM.

● **UPOZORNENIE:** CHLADIACI SYSTÉM OBSAHUJE CHLADIVO POD VYSOKÝM TLAKOM. NEMANIPULUJTE SO SYSTÉMOM. MUSÍ BYŤ OPRAVOVANÝ LEN KVALIFIKOVANOU OSOBOU.

● **UPOZORNENIE:** PRI UMIESTNENÍ SPOTREBIČA SA UISTITE, ČI NIE JE NAPÁJACÍ KÁBEL ZACHYTENÝ ALEBO POŠKODENÝ.

● **UPOZORNENIE:** NEUMIESTŇUJTE MNOHOPOČETNÉ PRENOSNÉ ZÁSUVKY ALEBO PRENOSNÉ ZDROJE NAPÁJANIA NA ZADNÚ STRANU SPOTREBIČA.



ELEKTRICKÁ BEZPEČNOSŤ

1. NAPÁJACÍ KÁBEL NESMIE BYŤ PREDLŽOVANÝ.
2. UISTITE SA, ČI NIE JE ZÁSTRČKA NAPÁJACIEHO KÁBLA POŠKODENÁ.
ROZDRVENÁ ALEBO POŠKODENÁ ZÁSTRČKA SA MÔŽE PREHRIEVAŤ A SPÔSOBIŤ POŽIAR.
3. UISTITE SA, ČI MÁTE VOĽNÝ PRÍSTUP K ZÁSTRČKE SPOTREBIČA.
4. NEŤAHAJTE ZA NAPÁJACÍ KÁBEL.

5. AK JE ELEKTRICKÁ ZÁSUVKA UVOĽNENÁ, NEPRIPÁJAJTE K NEJ ZÁSTRČKU. HROZÍ RIZIKO ZASIAHNUTIA ELEKTRICKÝM PRÚDOM ALEBO VZNIKU POŽIARU.
6. NESMIETE POUŽÍVAŤ TENTO SPOTREBIČ BEZ KRYTU VNÚTORNÉHO OSVETLENIA.
7. CHLADNIČKA JE URČENÁ LEN NA NAPÁJANIE Z JEDNEJ FÁZY STRIEDAVÉHO PRÚDU S HODNOTAMI 220~240 V/50 HZ. AK JE KOLÍSANIE NAPÄTIA V MIESTE BYDLISKA POUŽÍVATEĽA TAK VEĽKÉ, ŽE PRESAHUJE VYŠŠIE UVEDENÉ LIMITY, Z BEZPEČNOSTNÝCH DÔVODOV POUŽITE PRE CHLADNIČKU AUTOMATICKÝ NAPÄŤOVÝ REGULÁTOR S VIAC AKO 350 W.

CHLADNIČKA MUSÍ BYŤ VYBAVENÁ ŠPECIÁLNOU NAPÁJACOU ZÁSTRČKOU NAMIESTO BEŽNEJ S INÝMI ELEKTRICKÝMI SPOTREBIČMI. ZÁSTRČKA MUSÍ ZODPOVEDAŤ ZÁSUVKE S UZEMŇOVACÍM KONTAKTOM.

BEŽNÉ POUŽITIE

- V SPOTREBIČI NESKLADUJTE HORĽAVÉ PLYNY ANI TEKUTINY. HROZÍ RIZIKO EXPLÓZIE.
- V SPOTREBIČI NEPOUŽÍVAJTE INÉ ELEKTRICKÉ SPOTREBIČE (NAPR. ELEKTRICKÝ VÝROBNÍK ZMRZLINY, MIXÉRY ATĎ.).
- PRI ODPÁJANÍ SPOTREBIČA Z ELEKTRICKEJ ZÁSUVKY, VŽDY ŤAHAJTE ZA ZÁSTRČKU. NEŤAHAJTE ZA KÁBEL.
- DO BLÍZKOSTI PLASTOVÝCH DIELOV TOHTO SPOTREBIČA NEDÁVAJTE HORÚCE PREDMETY.
- NEDÁVAJTE ŽIADNE PREDMETY DO BLÍZKOSTI VZDUCHOVÝCH OTVOROV V ZADNEJ STENE.
- BALENÉ MRAZENÉ POTRAVINY SKLADUJTE V SÚLADE S POKYNNI VÝROBCU MRAZENÝCH POTRAVIN.

- MALI BY STE STRIKTNE DODRŽIVAŤ ODPORÚČANIA TÝKAJÚCE SA SKLADOVANIA V SPOTREBIČI OD VÝROBCU. POZRITE SI PRÍSLUŠNÉ POKYNY O SKLADOVANÍ.
- DO MRAZIACEHO PRIESTORU NEDÁVAJTE SÝTENÉ ALEBO ŠUMIVÉ NÁPOJE, PRETOŽE VYTVÁRAJÚ TLAK NA NÁDOBU, KTORÁ MÔŽE EXPLODOVAŤ, ČO MÔŽE VIESŤ K POŠKODENIU SPOTREBIČA.
- NEKONZUMUJTE MRAZENÉ POKRMY IHNEĎ PO VYBRATÍ Z MRAZNIČKY, MÔŽETE SA PORANIŤ.
- NEUMIESTŇUJTE SPOTREBIČ NA PRIAME SLNEČNÉ SVETLO.
- MAJTE HORIACE SVIEČKY, LAMPY A INÉ PREDMETY S OTVORENÝM OHŇOM V DOSTATOČNEJ VZDIALENOSTI OD SPOTREBIČA, ABY STE ZABRÁNILI RIZIKU POŽIARU.
- SPOTREBIČ JE URČENÝ NA USKLADNENIE POKRMOV A/ ALEBO NÁPOJOV V BEŽNEJ DOMÁCNOSTI PODĽA POPISU V NÁVODE. SPOTREBIČ JE ŤAŽKÝ. ZVÝŠTE POZORNOSŤ PRI JEHO PREMIESTŇOVANÍ.
- NEVYBERAJTE ANI SA NEDOTÝKAJTE POLOŽIEK V PRIESTORE MRAZENIA, AK MÁTE VLHKÉ/MOKRÉ RUKY, PRETOŽE TO MÔŽE VIESŤ K PORANENIAM POKOŽKY ALEBO POPÁLENINÁM Z MRAZU.
- NIKDY NEPOUŽÍVAJTE DNO, ZÁSUVKY, DVIERKA A POD. NA STÚPANIE ALEBO AKO PODPERU.
- MRAZENÉ POTRAVINY, NESMÚ BYŤ PO ROZMRAZENÍ OPĀTOVNE ZMRAZENÉ.
- NEKONZUMUJTE ĽADOVÉ NANUKY ALEBO KOCKY ĽADU IHNEĎ PO VYBRATÍ Z MRAZNIČKY, PRETOŽE BY STE SI TAK MOHLI PORANIŤ ÚSTA A PERY.
- ABY STE ZABRÁNILI PÁDU PREDMETOV A ZRANENIU ALEBO POŠKODENIU SPOTREBIČA, NEPREŤAŽUJTE PRIEHRADKY DVIEROK ANI DO ZÁSUVIEK NEDÁVAJTE NADMERNÉ MNOŽSTVO POTRAVÍN.

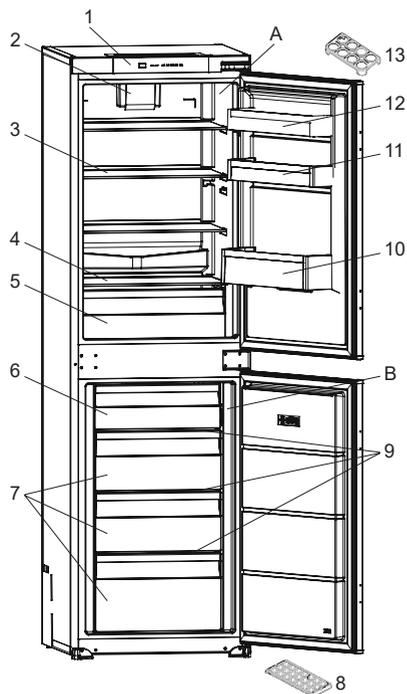
INŠTALÁCIA

DÔLEŽITÉ!

- PRI PRIPOJENÍ K ELEKTRICKEJ SIETI BUĎTE OPATRNÍ, DODRŽIAVAJTE POKYNY V TOMTO NÁVODE. SPOTREBIČ VYBALTE A SKONTROLUJTE HO Z HĽADISKA VIDITEĽNÝCH POŠKODENÍ.
- AK JE SPOTREBIČ POŠKODENÝ, NEPRIPÁJAJTE HO. OZNÁMTE PRÍPADNÉ POŠKODENIE V MIESTE ZAKÚPENIA. V TOMTO PRÍPADE SI NECHAJTE OBALOVÝ MATERIÁL.
- ODPORÚČA SA POČKAŤ NIEKOĽKO HODÍN, PRED PRIPOJENÍM SPOTREBIČA, ABY SA OLEJ V KOMPRESORE USTÁLIL.
- OKOLO SPOTREBIČA ZAISTITE DOSTATOČNÉ VETRANIE, V OPAČNOM PRÍPADE MÔŽE DOCHÁDZAŤ K PREHRIEVANIU. NA DOSIAHNUTIE DOSTATOČNÉHO VETRANIA DODRŽIAVAJTE POKYNY NA INŠTALÁCIU.
- AK JE TO MOŽNÉ, ZADNÁ STENA SPOTREBIČA BY NEMALA BYŤ VEĽMI BLÍZKO STENY A NEMAL BY SA DOTÝKAŤ HORÚCICH ČASŤÍ (KOMPRESOR, KONDENZÁTOR), ABY SA ZABRÁNILO RIZIKU POŽIARU, DODRŽIAVAJTE PRÍSLUŠNÉ POKYNY NA INŠTALÁCIU.
- SPOTREBIČ NESMIE BYŤ UMIESTNENÝ V BLÍZKOSTI RADIÁTOROV ALEBO SPORÁKOV.
- PO INŠTALÁCII SPOTREBIČA SA UISTITE, ČI JE SIEŤOVÁ ZÁSTRČKA ĽAHKO PRÍSTUPNÁ.
- ODLOŽTE VŠETKY OBALY MIMO DOSAHU DETÍ, PRETOŽE HROZÍ RIZIKO UDUSENIA.

- VNÚTORNÝ PRIESTOR VAŠEJ CHLADNIČKY / MRAZNIČKY MÔŽE PRED PRVÝM POUŽITÍM ZAPÁCHAŤ. JE TO NORMÁLNY JAV. ZÁPACH ZMIZNE, AKONÁHLE ZAČNE ZARIADENIE CHLADIŤ/ MRAZIŤ.
- PRED PRIPOJENÍM CHLADNIČKY / MRAZNIČKY SA UISTITE, ŽE NAPÄTIE V ELEKTRICKEJ SIETI ZODPOVEDÁ POŽIADAVKÁM NA PRIPOJENIE CHLADNIČKY / MRAZNIČKY. V PRÍPADE POCHYBNOSTÍ SA OBRÁŤTE NA KVALIFIKOVANÉHO ELEKTRIKÁRA.
- SPOTREBIČ MUSÍ BYŤ PRIPOJENÝ DO ZÁSUVKY S ODPOVEDAJÚCIM NAPÄTÍM A SPRÁVNE NAINŠTALOVANOU POISTKOVOU ZÁSUVKOU.
- CHLADNIČKA / MRAZNIČKA NESMIE BYŤ UMIESTNENÁ VONKU ALEBO VYSTAVENÁ DAŽĎU.
- CHLADNIČKA / MRAZNIČKA MUSÍ BYŤ UMIESTNENÁ NAJMENEJ 50 CM OD VYKUROVACÍCH TELIES, KÚRENIA RÚR, PLYNOVÝCH RÚR ATĎ.
- AK JE CHLADNIČKA S MRAZNIČKOU UMIESTNENÁ VEDĽA MRAZNIČKY, MUSÍ MEDZI NIMI BYŤ MIN. 2 CM ROZOSTÚP.
- NA CHLADNIČKU / MRAZNIČKU NEKLAĎTE ŤAŽKÉ VECI, NEZAKRÝVAJTE JU.
- NAD CHLADNIČKOU / MRAZNIČKOU MUSÍ BYŤ MIN. 150 MM VOĽNÝ PRIESTOR.
- TENTO SPOTREBIČ JE VYROBENÝ NA POUŽITIE V DOMÁCNOSTIACH A JE VHODNÝ IBA PRE CHLADENIE/ MRAZENIE POTRAVÍN. NIE JE VHODNÝ PRE KOMERČNÉ POUŽITIE ALEBO NA USKLADNENIE LÁTOK S VÝNIMKOU POTRAVÍN. VÝROBCA NENESIE ZODPOVEDNOSŤ ZA ŽIADNE STRATY, SPÔSOBENÉ NEVHODNÝM POUŽITÍM SPOTREBIČA.

ČASŤ 2: POPIS SPOTREBIČA



Táto prezentácia slúži len na informácie o častiach spotrebiča. Časti sa môžu líšiť v závislosti od modelu spotrebiča.

- A) Priechinok chladničky
- B) Priechinok mrazničky
- 1) Ovládací panel
- 2) Turbo ventilátor *
- 3) Poličky chladničky
- 4) Kryt priestoru na ovocie a zeleninu
- 5) Priestor na ovocie a zeleninu (crisper)
- 6) Horná záklopka mrazničky/zásuvka
- 7) Zásuvky mrazničky
- 8) Zásobník na ľad
- 9) Sklenené poličky mrazničky
- 10) Polička na fľaše
- 11) Nastaviteľná polička na dverách */ polička na dverách
- 12) Polička na dverách
- 13) Držiak na vajíčka

* Pri niektorých modeloch

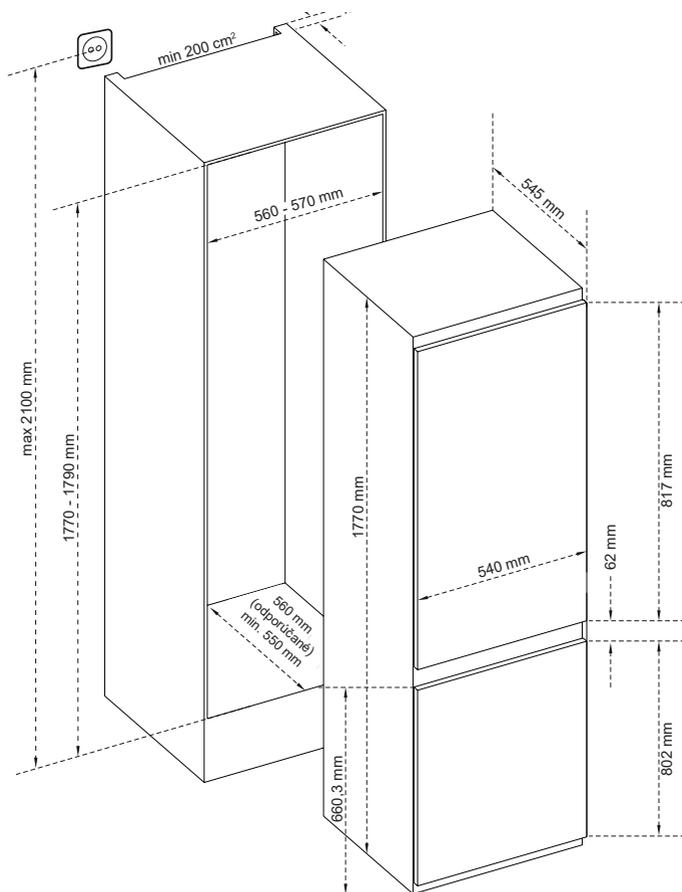
Všeobecné upozornenia:

Priehradka na čerstvé potraviny (Chladnička): Najefektívnejšie využitie energie je zabezpečené pri umiestnení zásuviek v spodnej časti spotrebiča a rovnomernom umiestnení polic, zatiaľ čo pozície košíkov na dverách spotrebu energie neovplyvňujú.

Mraziaci priestor (Mraznička): Najefektívnejšie využívanie energie je zabezpečené pri konfigurácii so zásuvkami a košími v naloženej polohe.

2.1 Rozměry

* 1770 - 1778 pre kovový horný kryt



ČASŤ 3: POUŽÍVANIE SPOTREBIČA

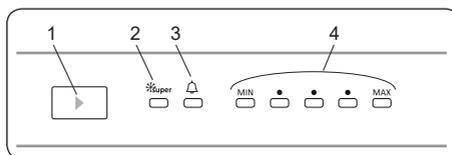
3.1 Informácie o technológii Frost Free

Chladničky s technológiou Frost Free majú iný prevádzkový systém v porovnaní so statickými chladničkami. Pri normálnych (statických) chladničkách vlhkosť, ktorá preniká do chladničky v dôsledku otvárania dverí, a vlhkosť nachádzajúca sa v potravinách spôsobuje namrzanie v priečinku mrazničky. Aby ste rozmrazili námrazu a ľad v priečinku mrazničky, musíte pravidelne vypínať chladničku, umiestniť potraviny, ktoré je potrebné uchovať zmrazené, do samostatného chladiaceho priečinku a potom odstrániť ľad zozbieraný v priečinku mrazničky.

Situácia je pri chladničkách s technológiou No-frost úplne odlišná. Zabudovaný ventilátor dodáva rovnomerne suchý a studený vzduch do chladničky a mrazničky. Studený vzduch je rozptyľovaný rovnomerne medzi poličkami, vďaka čomu sú všetky potraviny ochladzované v rovnakej miere a ku hromadeniu vlhkosti a tvoreniu námrazy nedochádza. Preto vaša chladnička s technológiou No-frost umožňuje jednoduché používanie okrem jej obrovskej kapacity a štýlového vzhľadu.

3.2 Displej a ovládací panel

Termostat automaticky reguluje teplotu vo vnútri chladiaceho a mraziaceho priestoru. Teploty v chladničke je možné dosiahnuť otočením otočného ovládača na vyššie čísla; 1 až 3, 1 až 5 alebo SF (maximálne hodnoty na termostate závisia od vášho produktu.)



Používanie ovládacieho panela

1. Tlačidlo nastavenia teploty
2. Symbol super chladenia (kontrolka super chladenia)
3. Symbol alarmu (LED dióda alarmu)
4. Kontrolka upravenej teploty

3.3 Prevádzka mraziaceho priestoru vašej chladničky

Osvetlenie (ak je dostupné) Ak je spotrebič zapojený po prvýkrát, vnútorné osvetlenie sa môže zapnúť o 1 minútu neskôr z dôvodu úvodných testov.

3.3.1 Tlačidlo nastavenia teploty

Toto tlačidlo umožní nastaviť teplotu v mrazničke. Stlačte toto tlačidlo a nastavte hodnoty teploty v časti mrazničky. Toto tlačidlo sa používa aj na aktiváciu režimu super chladenia.

3.3.2 Nastavenie teploty

- To zaručí, že nastavenia teploty v chladiacom a mraziacom priechniku vašej chladničky sa vykonajú automaticky. Dá sa tiež nastaviť na akúkoľvek hodnotu v rozsahu MIN až MAX a režim super chladenia. Ak stlačíte tlačidlo nastavenia teploty z MIN na MAX, teplota sa zníži. Aby ste šetřili energiu počas zimných mesiacov, prevádzkujte chladničku na nižšej polohe.
- Pôvodné nastavenie teploty pre chladničku je v strednom bode.
- Pri každom stlačení tlačidla na nastavenie teploty sa nastavená teplota zníži až do symbolu super chladenia a ak budete pokračovať v stláčaní, nastavená teplota opäť prejde na minimálnu teplotu nastavenia.

3.3.3 Režim superchladenia

Kedy sa použije?

- Na schladenie veľkého množstva potravín.
- Na schladenie rýchleho občerstvenia.
- Ak chcete potraviny schladiť rýchlo.
- Pri dlhodobom skladovaní sezónnych potravín.

Ako sa používa?

- Ak stlačíte tlačidlo nastavenia teploty, kým sa zobrazuje symbol super chladenia na displeji a nestlačíte žiadne tlačidlo do 3 sekúnd, bude blikať kontrolka super chladenia.
- V tomto režime bude svietiť kontrolka super chladenia.
- Optimálny výkon spotrebiča pri maximálnej kapacite chladenia dosiahnete nastavením prístroja do režimu aktívneho super chladenia 5 hodín pred vložením čerstvých potravín do mrazničky.

Počas tohto režimu:

Ak stlačíte tlačidlo nastavenia teploty, režim bude zrušený a nastavenie sa obnoví od MAX.



Režim „Super chladenie“ sa automaticky zruší po 5 hodinách.

3.3.4 Kontrolka alarmu

V prípade problémov s chladničkou sa rozsvieti červená kontrolka alarmu.

3.3.5 Funkcia upozornenia na otvorené dverka

Pokiaľ sú dverka chladničky otvorené dlhšie ako 2 minúty, spotrebič dvakrát zapípa.

3.4 Upozornenia pri nastaveniach teploty

- Váš spotrebič je navrhnutý tak, aby fungoval pri intervaloch okolitej teploty uvedených v normách, a to v súlade s klimatickou triedou uvedenou na informačnom štítku. Neodporúča sa, aby ste chladničku používali v prostrediach, ktoré sa nenachádzajú v rozsahu uvedených teplotných intervalov s ohľadom na efektívnosť chladenia. To by ovplyvnilo účinnosť chladenia.
- Nastavenia teploty by sa mali vykonať podľa častosti otvárania dvierok, množstva potravín uchovávaných v chladničke a okolitej teploty okolo spotrebiča.
- Pri prvom zapnutí nechajte chladničku bežať 24 hodín, aby dosiahla prevádzkovú teplotu. Počas tejto doby neotvárajte dvere a neskladujte vnútri veľké množstvo potravín.
- Funkcia 5-minútového oneskorenia je aktívna, aby sa zabránilo poškodeniu kompresora vášho spotrebiča pri pripájaní alebo odpájaní od siete alebo pri výpadku energie. Vaša chladnička začne po 5 minútach normálne fungovať.

Klimatická trieda a význam:

Popis	Trieda	Rozsah teplôt okolia °C
Rozšírené mierne	SN	+10 to +32
Mierne	N	+16 to +32
Subtropické	ST	+16 to +38
Tropické	T	+16 to +43

Akronym pre rozmedzie teploty okolia, tj. SN, N, ST alebo T, pri určovaní klimatických tried:

1. rozšírené mierne pásmo (SN) má rozmedzie teploty od 10 °C do 32 °C;
2. mierne pásmo (N) má rozmedzie teploty od 16 °C do 32 °C;
3. subtropické pásmo (ST) má rozmedzie teploty od 16 °C do 38 °C a
4. tropické pásmo (T) má rozmedzie teploty od 16 °C do 43 °C.

Turbo ventilátor (ak je k dispozícii)

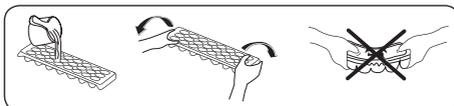
Pri skladovaní potravín neblokujte vstupné a výstupné otvory vzduchu, v opačnom prípade bude narušená cirkulácia vzduchu poskytovaná turbo ventilátorom.

3.5 Príslušenstvo

Vizuálne a textové popisy v časti o príslušenstve sa môžu odlišovať v závislosti od modelu spotrebiča.

3.5.1 Nádobka na ľad (pri niektorých modeloch)

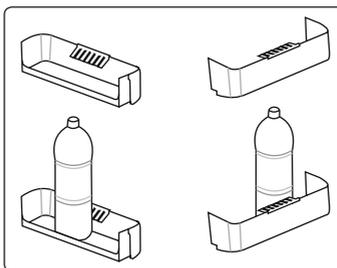
- Priechnik na ľad naplňte vodou a vložte ho do priechnika mrazničky.
- Potom, čo sa voda zamrzne, môžete priechnik otočiť, ako je zobrazené nižšie a vysypať kocky ľadu.



3.5.2 Držiak na fľaše (u niektorých modeloch)

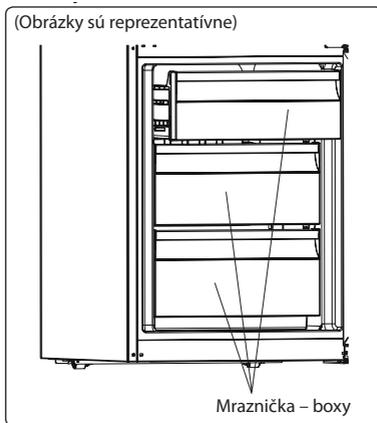


Držiak na fľaše používajte, aby nedošlo ku sklznutiu alebo pádu fľaše.

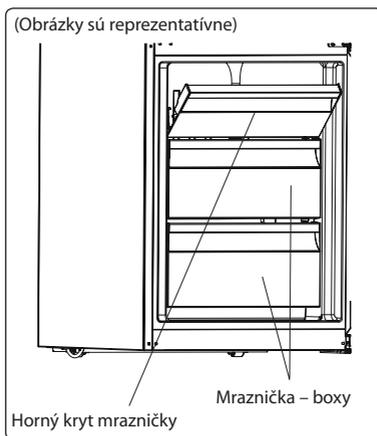


3.5.3 Mraznička – box

Box v mrazničke umožňuje jednoduchší prístup k uloženým potravinám.



alebo



Vybratie boxu z mrazničky:

- Box čo možno najviac vytiahnite
- Prednú časť boxu nadvihnite a vytiahnite ho

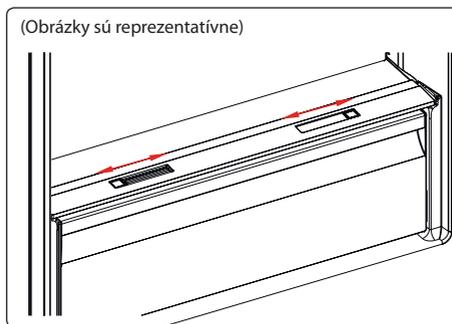


Pre opätovné vloženie boxu vykonajte obrátené kroky.

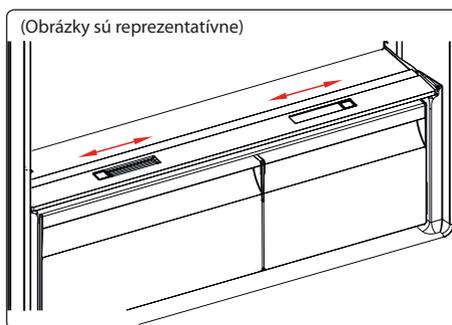


Počas vyberania boxu ho vždy držte za rukoväť.

3.5.4 Otočný regulátor (U niektorých modelov)



alebo



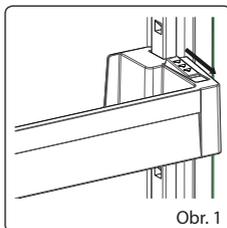
V prípade, že je priečinok pre jemné potraviny plný, mal by sa otvoriť otočný regulátor, ktorý sa nachádza na prednej strane priečinka na jemné potraviny. Umožní to prívod čerstvého vzduchu do priečinka a kontrolu vlhkosti, čím sa predĺži trvanlivosť potravín. Otvorte otočný regulátor na zadnej strane policičky v prípade tvorenia kondenzátu na sklenenej polici.

3.5.5 Prispôsobiteľná sklenená polička (pri niektorých modeloch)

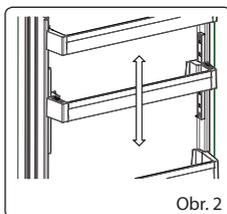
Na vytvorenie úložných plôch možno vykonať šesť rôznych nastavení výšky, ktoré potrebujete, použitím nastaviteľnej poličky vo dverách. Na zmenu polohy nastaviteľnej poličky vo dverách:

Podržte tlačidlo poličky a zatlačte na tlačidlá po stranách poličky vo dverách v smere šípky. (Obr. 1)

Poličku vo dverách umiestnite do potrebnej výšky, posunutím nahor a nadol. Akonáhle dosiahnete požadovanej polohy, uvoľnite tlačidlá na bočnej strane police (obr. 2). Pred uvoľnením police ju skúste posunúť hore a dole, aby ste sa uistili, že je vo dverách upevnená.



Obr. 1



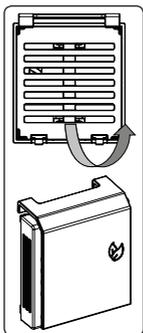
Obr. 2



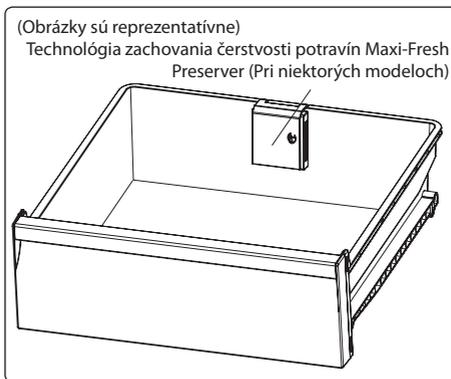
Poznámka: Pred presunutím naplnenej poličky vo dverách musíte poličku pridržať pomocou tlačidla. V opačnom prípade by mohla polička vo dverách v dôsledku hmotnosti vyklznuť z drážok. Tak by sa mohla polička vo dverách alebo drážky poškodiť.

3.5.6 Technológia zachovania čerstvosti potravín Maxi-Fresh Preserver (ak je k dispozícii)

Technológia Maxi Fresh Preserver pomáha odstraňovať etylénový plyn (prchavá organická zlúčenina, ktorá sa prirodzene uvoľňuje z čerstvých potravín) a nepríjemný zápach z priehradky na čerstvé potraviny. Týmto spôsobom zostáva jedlo dlhšie čerstvé.



- Priehradku s technológiou Maxi Fresh Preserver je nutné čistiť raz za rok. Filter by mal zostať 2 hodiny v peci pri teplote 65 °C.
- Na vyčistenie filtra odstráňte zadnú stranu filtračnej skrinky tak, že ho potiahnete v smere šípky.
- Filter by sa nemal umývať vodou ani žiadnym detergentom.



Vizúálne a textové popisy v časti o príslušenstve sa môžu odlišovať v závislosti od modelu spotrebiča.

4.1 Chladiaci priestor

- Ak chcete znížiť vlhkosť a predísť následnej tvorbe námrazy, tekutiny vždy vkladajte do chladničky v uzatvorených nádobách. Námraza má tendenciu sa koncentrovať na najchladnejších miestach vyparovania tekutiny a po čase si spotrebič bude vyžadovať častejšie odmrazovanie.
- Uvarené potraviny musia zostať zakryté, keď sa uchovávajú v chladničke. Teplé potraviny nevkladajte do chladničky. Vkladajte ich po vychladnutí, inak sa bude teplota/vlhkosť vnútri chladničky zvyšovať, čím sa znižuje účinnosť chladničky.
- Dbajte na to, aby žiadne predmety neboli v priamom kontakte so zadnou stranou spotrebiča, pretože sa vytvorí námraza a obal sa k nej prílepi. Dvierka chladničky neotvárajte často.
- Odporúčame, aby mäso a čisté ryby boli voľne balené a uchovávané na sklenej polici hneď nad košom na zeleninu, kde je chladnejší vzduch, pretože to zaisťuje najlepšie podmienky uchovávania.
- Voľné ovocie a zeleninu skladujte v nádobách na zeleninu a ovocie.
- Skladovanie ovocia a zeleniny samostatne pomáha predchádzať tomu, aby zelenina citlivá na etylén (zelený šalát, brokolica, mrkva atď.) nebola ovplyvnená ovocím uvoľňujúcim etylén (banány, broskyne, marhule, figy atď.).
- Do chladničky nedávajte mokrú zeleninu.
- Čas skladovania pre všetky potravinové produkty závisí od pôvodnej kvality potravín a neprerušovaného cyklu chladenia pred uskladnením do chladničky.
- Únik vody z mäsa môže kontaminovať ostatné potraviny v chladničke. Mäsové produkty by ste mali zabaliť a vyčistiť prípadné vytečené kvapaliny z políc.
- Potraviny nedávajte pred prechod prietoku vzduchu.
- Balené potraviny skonzumujte pred odporúčaným dátumom spotreby.

Potraviny nenechajte v styku so snímačom teploty, ktorý sa nachádza v chladiacom priestore, v záujme udržiavania chladiaceho priestoru pri optimálnej teplote.

- Za normálnych prevádzkových podmienok bude dostatočné upraviť nastavenie teploty chladničky na +4 °C.
- Teplota chladiaceho priestoru musí byť v rozmedzí 0 – 8 °C, čerstvé potraviny sa pri teplote nižšej ako 0 °C pokryjú ľadom a pokazia sa, bakteriálne zaťaženie sa zvyšuje nad 8 °C a potraviny sa pokazia.
- Horúce potraviny nevkladajte do chladničky ihneď, počkajte, kým teplota vypchá. Horúce potraviny zvyšujú stupeň chladničky a spôsobia otravu jedlom a zbytočné pokazenie potravín.
- Mäso, ryby atď. sa musia uchovávať v chladiacom priestore na potraviny a priehradka na zeleninu sa uprednostňuje na zeleninu (ak je dostupná).
- Na zamedzenie krížovej kontaminácii neskladujte mäsové výrobky spolu s ovocím a zeleninou.
- Potraviny vkladajte do chladničky v uzavretých nádobách alebo zakryté, aby sa predišlo vlhkosti a zápachom.

Nasledujúca tabuľka je rýchlym sprievodcom, ktorý vám ukáže najefektívnejší spôsob skladovania hlavných skupín potravín v chladničke.

Potraviny	Maximálna doba skladovania	Ako a kde skladovať
Zelenina a ovocie	1 týždeň	Priehradka na zeleninu
Mäso a ryby	2 - 3 dni	Zabalte do plastovej fólie alebo do nádoby na mäso a uchovávajte na sklenej polici
Čerstvý syr	3 - 4 dni	Na vyhradenej polici dverí
Maslo a margarín	1 týždeň	Na vyhradenej polici dverí
Produkty vo fľašiach, napr. mlieko a jogurt	Až do dátumu spotreby odporúčaného výrobcom	Na vyhradenej polici dverí
Vajcia	1 mesiac	Na vyhradenej polici na vajčička
Varené jedlo	2 dni	Všetky poličky

POZNÁMKA:



Zemiaky, cibule a cesnak by sa v chladničke nemali skladovať.

4.2 Mraziaci priestor

- Mraznička sa/používa na uchovávanie mrazených potravín, mrazenie čerstvých potravín a tvorbu kociek ľadu.
- Potraviny v tekutom skupenstve by sa mali zmraziť v plastových pohárikoch a iné potraviny by sa mali zmraziť v plastových fóliách alebo vreckách. Mrazenie čerstvých potravín: čerstvé potraviny riadne zabalte tak, aby bol obal vzduchotesný a nepretekal. Ideálne sú špeciálne vrecká do mrazničky, allobal, polyetylénová vrecká a plastové nádoby.
- Čerstvé potraviny neuchovávajte vedľa zmrazených potravín, pretože môžu zmrazené potraviny rozmraziť.
- Pred mrazením čerstvých potravín ich rozdeľte na porcie, ktoré sa dajú skonzumovať na jeden raz.
- Rozmrazené potraviny skonzumujte za krátky čas po rozmrazení.
- Pri uchovávaní mrazených potravín vždy dodržiavajte pokyny výrobcu na balení potraviny. Ak nie sú uvedené žiadne informácie, potraviny sa nesmú skladovať dlhšie ako 3 mesiace od dátumu kúpy.
- Pri kúpe mrazených potravín sa uistite, či boli uchovávané za vhodných podmienok a či nemajú poškodené balenie.
- Mrazené potraviny by sa mali prepravovať vo vhodných nádobách a mali by sa čo najskôr umiestniť do mrazničky.
- Nekupujte mrazené potraviny, ak balenie vykazuje znaky vlhkosti a nezvyčajného napuchnutia. Je pravdepodobné, že boli uchovávané pri nevhodnej teplote a že obsah sa pokazil.
- Životnosť skladovania mrazených potravín závisí od teploty v miestnosti, nastavenia termostatu, častosti otvárania dvierok, typu potravín a od dĺžky času, ktorý je potrebný na prepravu produktu z obchodu domov. Vždy postupujte podľa pokynov vytlačených na balení a nikdy neprekračujte maximálny naznačený čas skladovania.

- Ak boli dvere mrazničky ponechané dlhšie otvorené alebo neboli riadne zatvorené, vytvorí sa námraza a môže brániť účinnej cirkulácii vzduchu. Ak to chcete vyriešiť, mrazničku odpojte a nechajte ju odmraziť. Po úplnom odmrazení mrazničku vyčistite.
- Objem mrazničky uvedený na štítku je objem bez košov, krytov a podobne.
- Nezmrazujte rozmrazené potraviny. Môžu predstavovať nebezpečenstvo pre vaše zdravie a môžu spôsobiť problémy, ako napríklad otravu jedlom.

POZNÁMKA: Ak sa pokúsite otvoriť dvere mrazničky bezprostredne po ich zatvorení, môže sa stať, že to nepôjde ľahko. Je to normálne. Po dosiahnutí rovnováhy sa dvere otvoria ľahko.

- Mraziaci priečnik použite na rýchlejšie zmrazenie po domácky varených jedál (a akéhokoľvek iného jedla, ktoré sa musí zmraziť rýchlo) vďaka väčšiemu mraziacemu výkonu mraziaceho priečinka. Rýchlomraziaca zásuvka je spodnou zásuvkou mraziaceho priestoru.
- Ak chcete využiť maximálny objem mraziaceho priečinka, použite sklené police v hornej a strednej časti a použite spodný kôš v spodnej časti.



Tabuľka nižšie je rýchlym sprievodcom na ukázanie najúčinniejšieho spôsobu uskladnenia hlavných potravinových skupín v mraziacom priečniku.

Mäso a ryby	Príprava	Maximálna doba skladovania (v mesiacoch)
Steak	Zabalte do fólie	6 - 8
Jahňacie mäso	Zabalte do fólie	6 - 8
Teľacie pečienky	Zabalte do fólie	6 - 8
Kocky teľacieho mäsa	Rozdeľte na malé kúsky	6 - 8
Kocky jahňacieho mäsa	Rozdeľte na kúsky	4 - 8
Mleté mäso	Vo vreckách bez použitia korenia	1 - 3
Droby (kúsky)	Rozdeľte na kúsky	1 - 3
Boloňská klobása/saláma	Mali by byť zabalené, aj keď majú blanu	1 - 3
Kurča a morka	Zabalte do fólie	4 - 6
Hus a kačica	Zabalte do fólie	4 - 6
Jeleň, králik, diviak	V porciách po 2,5 kg a ako filety	6 - 8
Sladkovodné ryby (losos, kapor, pstruh, sumec)	Po odstránení čriev a šupín z rýb ich umyte a osušte; a ak je to potrebné, odrežte chvost a hlavu.	2
Chudá ryba; ostriež, kambala, platesa		4
Tučné ryby (tuniak, makrela, krájač skákavý, sardela)		2 - 4
Mäkkýše	Vyčistené a vo vreckách	4 - 6
Kaviár	Vo svojom balení, hliníkovej alebo plastovej nádobe	2 - 3
Slimáky	V slanej vode, hliníkovej alebo plastovej nádobe	3
 Poznámka:	Mrazené mäso by malo byť po rozmrazení tepelne spracované ako čerstvé mäso. Ak mäso nie je po rozmrazení tepelne spracované, nesmie sa znova zmraziť.	

Zelenina ovocie	Príprava	Maximálna doba skladovania (v mesiacoch)
Zelená fazuľka	Umyte a nakrájajte na malé kúsky a uvarte vo vode	10 - 13
Fazuľa	Olúpte a umyte a uvarte vo vode	12
Kapusta	Očistite a uvarte vo vode	6 - 8
Mrkva	Očistite a nakrájajte na plátky a uvarte vo vode	12
Paprika	Odrežte stonku, rozrežte na dve časti, odstráňte semiačka a uvarte vo vode	8 - 10
Špenát	Očistite a uvarte vo vode	6 - 9
Karfiol	Odstráňte listy, srdce nakrájajte na kúsky a nechajte chvíľu vo vode s trochou citrónovej šťavy	10 - 12
Baklažán	Po umytí nakrájajte na 2 cm kúsky	10 - 12
Kukurica	Vyčistite a zabaľte so stonkou alebo ako sladkú kukuricu	12
Jablko a hruška	Ošúpte a nakrájajte	8 - 10
Marhuľa a broskyňa	Nakrájajte na dve časti a odstráňte kôstku	4 - 6
Jahoda a ostružina	Umyte a odstráňte stonky	8 - 12
Varené ovocie	Do nádoby pridajte 10% cukru	12
Slivka, čerešňa, kyslica	Umyte a odstráňte stonky	8-12

	Maximálna doba skladovania (v mesiacoch)	Čas rozmrazovania pri izbovej teplote (v hodinách)	Čas rozmrazovania v rúre (v minútach)
Chlieb	4 - 6	2 - 3	4 - 5 (220 - 225 °C)
Sušienky	3 - 6	1 - 1,5	5 - 8 (190 - 200 °C)
Pečivo	1 - 3	2 - 3	5 - 10 (200 - 225 °C)
Koláč	1 - 1,5	3 - 4	5 - 8 (190 - 200 °C)
Fylo cesto	2 - 3	1 - 1,5	5 - 8 (190 - 200 °C)
Pizza	2 - 3	2 - 4	15 - 20 (200 °C)

	Maximálna doba skladovania (v mesiacoch)	Čas rozmrazovania pri izbovej teplote (v hodinách)	Čas rozmrazovania v rúre (v minútach)
Balené (homogenizované) mlieko	Vo vlastnom balení	2 - 3	Čisté mlieko - vo vlastnom balení
Syr - okrem bieleho syra	Na plátky	6 - 8	Na krátkodobé skladovanie je možné použiť pôvodný obal. Uchovávať zabalené vo fólii dlhší čas.
Maslo, margarín	Vo vlastnom balení	6	

ČASŤ 5: ČISTENIE A ÚDRŽBA



Pred čistením odpojte spotrebič od napájania.



Spotrebič nečistite nalievaním vody do vnútra.



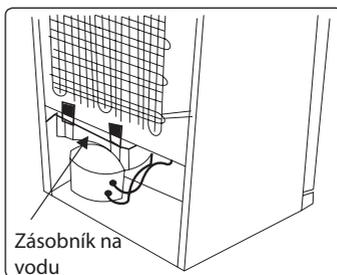
Na čistenie spotrebiča nepoužívajte abrazívne a čistiace prostriedky alebo mydlá. Po umytí opláchnite čistou vodou a dôkladne osušte. Po dokončení čistenia zástrčku suchými rukami opäť zapojte do zásuvky.

- Zaistite, aby sa do krytu svetla a ostatných elektrických komponentov nedostala žiadna voda.
- Spotrebič musí byť čistený pravidelne roztokom jedlej sódy a vlažnej vody.
- Príslušenstvo vyčistite jednotlivo rukami pomocou mydla a vody. Príslušenstvo neumývajte v umývačke riadu.
- Kondenzátor čistite kefkou aspoň dvakrát ročne. Pomôže vám to ušetriť náklady na energiu a zvýšiť produktivitu.



Počas čistenia sa musí odpojiť napájanie.

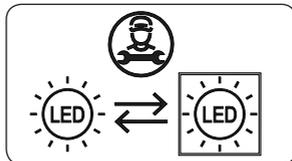
5.1 Odmrazovanie



- Váš spotrebič vykonáva automatické odmravovanie. Voda vytvorená v dôsledku odmravovania prechádza cez výlevku na zozbieranie vody, preteká do tčky na vodu za spotrebičom a tam sa vyparuje.
- Pred čistením tčky na vodu sa uistite, že ste odpojili zástrčku spotrebiča.
- Tčku na vodu vyberte z jej polohy odstránením skrutiek (ak má skrutky). Vyčistite ho mydlovou vodou v určených časových intervaloch. Zabráni to tvorbe zápachov.

Výmena LED svetla

Ak chcete vymeniť niektoré z LED svetiel, kontaktujte najbližšie autorizované servisné stredisko.



Poznámka: Počet a umiestnenie LED pásov sa môže meniť podľa modelu.

Ak je výrobok vybavený LED žiarovkou

Tento výrobok obsahuje svetelný zdroj triedy energetickej účinnosti <E>.

Ak je výrobok vybavený LED páskami alebo LED diódami

Tento výrobok obsahuje svetelný zdroj triedy energetickej účinnosti <F>.

ČASŤ 6: DOPRAVA A PREMIESTNENIE

6.1 Preprava a zmena polohy

- Originálne balenie a penovú výplň si môžete uschovať pre opätovnú prepravu (voliteľne).
- Spotrebič upevnite do hrubého balenia páskami alebo silnými špagátmi a postupovať podľa pokynov na prepravu uvedených na balení.
- Pri opätovnom presúvaní alebo preprave odstráňte všetky pohyblivé časti alebo ich upevnite na spotrebič proti otrasom pomocou pásov.



Spotrebič vždy prenášajte vo zvislej polohe.

ČASŤ 7: SKÔR AKO KONTAKTUJETE SERVISNÉ STREDISKO

Chyby

Váš spotrebič vás upozorní, ak sa teploty nachádzajú na nesprávnych úrovniach, prípadne vtedy, keď sa vyskytne problém so spotrebičom. V prípade problémov so spotrebičom sa rozsvieti červená kontrolka alarmu.

LED dióda alarmu sa rozsvieti	VÝZNAM	DÔVOD	ČO TREBA VYKONAŤ
	Výstraha o zlyhaní	Niektorý diel(-y) je/ sú chybné alebo sa vyskytlo zlyhanie procesu chladenia. Spotrebič je zapojený na prvýkrát alebo po dlhodobom prerušení napájania po dobu 1 hodiny.	Prekontrolujte, či sú dvierka otvorené alebo nie a zistíte, či sa s výrobkom pracovalo viac ako 1 hodinu. Ak dvierka nie sú otvorené a s spotrebičom sa pracovalo dlhšie ako 1 hodinu, kontaktujte čo najskôr servisné stredisko.

Ak sa vyskytol problém s vaším spotrebičom, pred obrátením sa na popredajné služby skontrolujte nasledovne:

Váš spotrebič nie je v prevádzke

Skontrolujte, či:

- Je pripojený k napájaniu.
- Zástrčka je riadne vložená do zásuvky.
- Nevyhodilo poistku alebo hlavný istič.
- Zásuvka je chybná. Ak to chcete skontrolovať, zapojte do tej istej zásuvky iný funkčný spotrebič.

Výkon spotrebiča je nedostatočný.

Skontrolujte, či:

- Spotrebič je dobre vyrovnaný.
- Dvierka spotrebiča sú riadne zavreté.
- Na kondenzátore nie je prach.
- Je dostatočné miesto blízko zadnej časti a pri bočných stenách.

Váš spotrebič je pri prevádzke hlučný

Normálne zvuky

Vydáva praskajúci zvuk:

- Počas automatického odmravovania.
- Keď sa spotrebič ochladzuje alebo zahrieva (z dôvodu roztahovania materiálu spotrebiču).

Vydáva krátky praskajúci zvuk: Keď termostat zapne a vypne kompresor.

Zvuk motora: Naznačuje to, že kompresor funguje normálne. Kompresor môže fungovať hlučnejšie počas krátkej doby po prvej aktivácii.

Vydáva bublajúci a čľapotajúci hluk:

Z dôvodu prietoku chladiacej látky v rúrkach systému.

Vydáva zvuk prúdenia vody: Z dôvodu prúdenia vody do nádoby na odparovanie. Tento zvuk je normálny počas odmravovania.

Vydáva zvuk prúdenia vzduchu: Pri určitých modeloch počas normálnej prevádzky systému v dôsledku cirkulácie vzduchu.

Okraje spotrebiča v styku s pántmi dverí sú teplé.

Predovšetkým počas leta (teplých období) sa môžu povrchy v kontakte s dverami zahriať počas prevádzky kompresora, je to normálne.

Vnútri spotrebiča sa hromadí vlhkosť.

Skontrolujte, či:

- Sú všetky potraviny riadne zabalené? Nádoby musia byť pred vložením do spotrebiča suché.
- Dvierka spotrebiča sa často otvárajú. Vlhkosť z miestnosti prenikne do spotrebiča, keď sa otvorí dvierka. Vlhkosť sa zvyšuje rýchlejšie, ak sa dvierka otvárajú častejšie, najmä keď je v miestnosti vysoká vlhkosť.

Dvierka neotvárajte alebo riadne zatvorte

Skontrolujte, či:

- Potraviny alebo obal bránia zatvoreniu dvierok
- Spoje dvierok sú poškodené alebo roztrhnuté.
- Váš spotrebič je na rovnom povrchu.
- Kompresor môže pracovať nahlas alebo sa pri niektorých modeloch môže počas prevádzky za určitých podmienok zvýšiť hluk kompresora/chladničky, takže je výrobok prvýkrát zapojený do zásuvky v závislosti od zmeny okolitej teploty alebo zmeny použitia. To je normálne; keď chladnička dosiahne požadovanú teplotu, hluk sa automaticky zníži.

Odporúčania

- Ak sa spotrebič vypne alebo odpojí, počkajte aspoň 5 minút pred zapojením spotrebiča alebo jeho reštartovaním, aby sa predišlo poškodeniu kompresora.
- Ak spotrebič nebudete dlhý čas používať (napr. počas letných prázdnin), odpojte ho. Spotrebič vyčistite v súlade s kapitolou o čistení a nechajte dvere otvorené, aby ste tak zabránili hromadeniu vlhkosti a zápachu.
- Ak problém pretrváva aj potom, čo ste postupovali podľa všetkých z vyššie uvedených pokynov, kontaktujte najbližšie autorizované servisné stredisko.
- Zakúpený spotrebič je navrhnutý iba na použitie v domácnosti. Nie je vhodný pre komerčné alebo bežné používanie. Ak spotrebiteľ používa spotrebič spôsobom, ktorý nie je v súlade s tým, zdôrazňujeme, že výrobca a predajca nebudú zodpovední za akúkoľvek opravu alebo zlyhanie v rámci záručnej doby.

ČASŤ 8: TIPY NA ÚSPORU ENERGIE

1. Spotrebič umiestnite v chladnej, dobre vetranej miestnosti, nie na priamom slnku a nie v blízkosti tepelného zdroja (napr. radiátor alebo sporák), inak by sa mala použiť izolačná doska.
2. Teplé potraviny a nápoje nechajte pred ich vložením do spotrebiča vychladnúť.
3. Rozmrazované jedlo vložte do priečinku chladničky, ak je k dispozícii. Nízka teplota zmrazených potravín pomôže chlaďiť počas rozmrazovania priestor chladničky. Tým sa ušetrí energia. Ponechanie mrazených potravín rozmrazovať mimo spotrebiča vedie k plytvaniu energiou.
4. Nápoje alebo iné tekutiny by mali byť vnútri spotrebiča zakryté. Ak sa ponechajú odkryté, zvýši sa vlhkosť vnútri spotrebiča, preto spotrebič spotrebúva viac energie. Zakrytie nápojov alebo iných tekutín pomáha zachovať ich vôňu a chuť.
5. Vyvarujte sa ponechávaniu dvierok dlho otvorených a vyhýbajte sa ich častému otváraniu, keďže do spotrebiča bude vchádzať teplý vzduch a kompresor sa bude zbytočne často zapínať.
6. Kryty častí s rozličnými teplotami (napríklad zásuvky na ovocie a zeleninu, mraziaca časť, ak je k dispozícii) nechávajte zatvorené.
7. Tesnenie dvierok musí byť čisté a pružné. V prípade opotrebovania tesnenie vymeňte.

Pokyny ku skladovaniu

Rešpektujte prosím nasledujúce pokyny , aby nedošlo ku kontaminácii potravín

- Dlhé otváranie dvierok môže spôsobiť výrazné zvýšenie teploty v oddieloch spotrebiča.
- Pravidelne čistite povrchy , ktoré môžu prísť do styku s potravinami a prístupnými drenážnymi systémami .
- Surové mäso a ryby umiestnite do vhodných nádob v chladničke, aby sa nedostali do kontaktu s inými potravinami ani na ne nekvapkala.
- **Dvojhviezdičkové priestory pre mrazené potraviny sú vhodné pre skladovanie vopred zmrazených potravín , skladovanie alebo výrobu zmrzlina a výrobu kociek ľadu.
- *Jedno -, dvoch** - a trojhviezdičkové ***priestory nie sú vhodné pre zmrazovanie čerstvých potravín.

Č.	TYP priestoru	Cieľová teplota skladovania [°C]	Vhodné potraviny
1	Chladnička	+2 ~ +8	Vajcia, varené pokrmy, balené potraviny, ovocie a zelenina, mliečne výrobky, koláče, nápoje a iné potraviny, ktoré nie sú vhodné na mrazenie.
2	(***)*- Mraznička	≤ -18	Morské plody (ryby, krevety, mäkkýše), čerstvé výrobky zo sladkovodných rýb a mäsové výrobky (odporúčaná doba sú 3 mesiace, čím je doba skladovania dlhšia, tým je horšia chuť a nutričné hodnoty), vhodné pre čerstvé zmrazené potraviny.
3	***- Mraznička	≤ -18	Morské plody (ryby, krevety, mäkkýše), čerstvé výrobky zo sladkovodných rýb a mäsové výrobky (odporúčaná doba sú 3 mesiace, čím je doba skladovania dlhšia, tým je horšia chuť a nutričné hodnoty), vhodné pre čerstvé zmrazené potraviny.
4	** - Mraznička	≤ -12	Morské plody (ryby, krevety, mäkkýše), čerstvé výrobky zo sladkovodných rýb a mäsové výrobky (odporúčaná doba sú 2 mesiace, čím je doba skladovania dlhšia, tým je horšia chuť a nutričné hodnoty), nie je vhodné pre čerstvé zmrazené potraviny.
5	*- Mraznička	≤ -6	Morské plody (ryby, krevety, mäkkýše), čerstvé výrobky zo sladkovodných rýb a mäsové výrobky (odporúčaná doba je 1 mesiac, čím je doba skladovania dlhšia, tým je horšia chuť a nutričné hodnoty), nie je vhodné pre čerstvé zmrazené potraviny.
6	0 - hviezdičiek	-6 ~ 0	Čerstvé bravčové mäso, hovädzie mäso, ryby, kuracie mäso, niektoré balené spracované potraviny atď. (Odporúča sa konzumovať v ten istý deň, pokiaľ možno neskladovať dlhšie ako 3 dni). Čiastočne zabalené spracované potraviny (nezamŕzajúce potraviny)

7	Chladenie	-2 ~ +3	Čerstvé/mrazené bravčové mäso, hovädzie mäso, kuracie mäso, čerstvé výrobky zo sladkovodných rýb, atď. (7 dní pri teplote pod 0 °C a pri teplote nad 0 °C sa odporúča konzumovať v ten istý deň, pokiaľ možno neskladovať dlhšie ako 2 dni). Morské plody (pri teplote pod 0 °C skladovať 15 dní, neodporúča sa skladovať pri teplote nad 0 °C).
8	Čerstvé potraviny	0 ~ +4	Čerstvé bravčové mäso, hovädzie mäso, ryby, kuracie mäso, varené potraviny, atď. (Odporúča sa konzumovať v ten istý deň, pokiaľ možno neskladovať dlhšie ako 3 dni).
9	Víno	+5 ~ +20	Červené víno, biele víno, šumivé víno atď.

Poznámka: Uchovávajte rôzne potraviny podľa priestorov alebo cieľovej teploty skladovania zakúpených výrobkov.

- Ak necháte chladiaci spotrebič dlhší čas prázdny, vypnite ho, odmrzte, vyčistite, vysušte a nechajte dvierka otvorené, aby ste tak zabránili tvorbe plesní v spotrebiči.

Rozmiestnenie potravín v spotrebiči

- Zemiaky, cibuľa a cesnak by nemali byť uchovávané v chladničke / mrazničke.
- Za normálnych okolností je dostatočné nastavenie teploty v chladničke na + 4 °C.
- Teplota chladničky by mala byť v rozsahu 0 °C až 8 °C. Čerstvé potraviny skladované pod 0 °C zamrznú, hnejú. Bakteriálna záťaž sa zvyšuje pri skladovaní nad 8 °C a potraviny sa kazia.
- Nedávajte do chladničky / mrazničky teplé alebo horúce jedlá, počkajte, až vychladnú na izbovú teplotu. Horúce jedla zvyšujú teplotu vo vnútri chladničky/mrazničky a môžu byť príčinou zbytočného kazenia jedla a prípadnej otravy skazeným jedlom.
- Mäso, ryby atď. By mali byť skladované v chladiacej priehradke na to určenej - ak je k dispozícii.
- Ovocie a zelenina by mali byť skladované v chladiacej priehradke na to určenej - ak je k dispozícii.
- Aby ste zabránili kontaminácii mäsových výrobkov baktériami, ovocie a zeleninu neskladujte v spoločnej priehradke. To isté platí aj opačne - kontaminácia ovocia a zeleniny baktériami mäsových výrobkov.

ČASŤ 9: INFORMAČNÝ LIST

Informačný list

PHILCO 

DELEGOVANÉ NARIADENIE KOMISIE (EÚ) 2019/2016

Názov alebo ochranná známka výrobcu: PHILCO

Adresa výrobcu: FAST ČR, a.s. U Sanitasu 1621 Říčany 251 01, Czech Republic

Identifikačná značka modelu: PCN 17742 EBI

Typ chladiaceho zariadenia:

Spotrebič s nízkym hlukom:	Nie	Typ spotrebiča:	vstavaný
Zariadenie na skladovanie vína:	Nie	Ostatné chladiace spotrebiče	Áno

Základné špecifikácie:

Parameter	Hodnota	Parameter	Hodnota
Rozmery v mm	Výška	Celkový objem (dm ³ alebo l)	229
	Šírka		
	Hĺbka		
Index energetickej účinnosti (EEL)	100	Trieda energetickej účinnosti*	E
Akustický zvuk emisie hluku (dB(A) re 1 pW)	41	Trieda akustických emisií hluku	C
Ročná spotreba energie (kWh/rok)	232	Klimatická trieda:	T/N
Minimálna okolitá teplota (° C), pre ktorú je chladiace zariadenie vhodné	16	Maximálna okolitá teplota (° C), pre ktorú je chladiace zariadenie je vhodné	43
Nastavenie spotrebiča na zimu	Nie		

Špecifikácia priestoru

Typ priestoru		Parametre a hodnoty chladiaceho priestoru			
		Objem spotrebiča (dm ³ alebo l)	Odporúčené nastavenie teploty pre optimalizované skladovanie potravín (° C)	Mraziaca kapacita (kg/24h)	Typ odmrazovania: (auto-odmrazovanie = A manuálne odmrazovanie = M)
Komora/špajza	Nie	-	-	-	-
Skladovanie vína	Nie	-	-	-	-
Pivničný priestor	Nie	-	-	-	-
Čerstvé potraviny	Áno	144,9	4	-	A
Mraziaci priestor	Nie	-	-	-	-
0-hviezdičiek alebo výrobnik ľadu	Nie	-	-	-	-

1-hviezdička	Nie	-	-	-	-
2-hviezdičky	Nie	-	-	-	-
3-hviezdičky	Nie	-	-	-	-
4-hviezdičky	Áno	84,7	-18	3,9	A
2-hviezdičkový priestor	Nie	-	-	-	-
Zásuvka s meniacou sa teplotou	Nie	-	-	-	-
4-hviezdičkový priestor					
Funkcia rýchleho zmrazenia			Nie		
Parametre svetelného zdroja:					
Typ svetelného zdroja			LED		
Trieda energetickej účinnosti			G		
Minimálna doba trvania záruky ponúkanej výrobcom: 24 mesiacov					
Dodatočné informácie:					
Webový odkaz na web výrobcu, kde sú informácie uvedené v bode 4 (a) prílohy nariadenia Komisie (EÚ) 2019/2022 nájdené: https://www.fastcr.cz/					

TECHNICKÉ INFORMÁCIE

Technické informácie sa nachádzajú na typovom štítku na vnútornej strane spotrebiča a na energetickom štítku. QR kód, na dodanom energetickom štítku, obsahuje odkaz na registráciu spotrebiča v databáze EÚ Eprel.

INFORMÁCIE O TESTOVANÍ

Dodané zariadenie je v súlade s Ecodesignem a EN 62552:2020, Regulation (EU) 2019/2016, Regulation (EU) 2019/2019 and Framework Regulation (EU) 2017/1369). Požiadavky na prístup vzduchu pre správnu prevádzku prístroja, minimálna vzdialenosť od steny a rozmery prístroja, sú súčasťou tohto návodu. V prípade ďalších otázok sa obráťte na výrobcu.

STAROSTLIVOSŤ O ZÁKAZNÍKA A SERVIS

Vždy používajte iba originálne náhradné diely.

Označenie modelu a sériové číslo nájdete na typovom štítku. Polohu typového štítku je možné zmeniť bez predchádzajúceho upozornenia.

Originálne náhradné diely pre niektoré konkrétne komponenty sú k dispozícii minimálne 7 alebo 10 rokov. Závisí to od typu komponentu a od uvedenia posledného spotrebiča daného modelu na trh.

Pri kontaktovaní nášho autorizovaného servisu majte k dispozícii modelové označenie, sériové číslo a popis chyby.

Pre stiahnutie dokumentov navštívte www.philco.sk.

Pre nahlásenie závady a získanie ďalších servisných informácií navštívte www.philco.sk/servisne-miesta.

Zmeny vyhradené bez predchádzajúceho upozornenia.

POKYNY A INFORMÁCIE TÝKAJÚCE SA LIKVIDÁCIE POUŽITÝCH OBALOVÝCH MATERIÁLOV

Obalové materiály zlikvidujte na verejnom mieste pre likvidáciu odpadu.

LIKVIDÁCIA POUŽITÝCH ELEKTRICKÝCH A ELEKTRONICKÝCH SPOTREBIČOV



Význam symbolu na výrobku, jeho príslušenstve alebo obale znamená, že s týmto výrobkom nesmie byť zaobchádzané ako s komunálnym odpadom. Tento výrobok zlikviduje na príslušnom zbernom mieste pre recykláciu odpadu z elektrických a elektronických zariadení. Poprípade je možné v niektorých štátoch Európskej únie alebo iných európskych štátoch vrátiť svoje výrobky miestnemu predajcovi, v prípade kúpy podobného nového výrobku. Správna likvidácia tohto výrobku pomôže ušetriť cenné prírodné zdroje a pomôcť pri prevencii prípadného negatívneho vplyvu na životné prostredie a ľudské zdravie, ku ktorému by mohlo dôjsť v dôsledku nesprávnej likvidácie odpadu. Podrobnejšie informácie získate od miestneho úradu alebo v najbližšom stredisku pre zber odpadu. Nesprávna likvidácia tohto typu odpadu môže podliehať vnútroštátnym predpisom o pokutách.

Pre podnikateľské subjekty v Európskej únii

Ak chcete zlikvidovať elektrické alebo elektronické zariadenie, vyžiadajte si potrebné informácie od svojho predajcu alebo dodávateľa.

Likvidácia v iných štátoch mimo Európskej únie

Ak chcete zlikvidovať tento výrobok, vyžiadajte si nevyhnutné informácie o správnom spôsobe likvidácie od miestnych úradov alebo svojho predajcu.



Tento výrobok spĺňa všetky základné požiadavky nariadenia EÚ, ktoré sa naň vzťahujú.

Zmeny v texte, dizajne a technických údajoch sa môžu vyskytnúť bez predchádzajúceho upozornenia a vyhradzuje si právo vykonať tieto zmeny.

Originál tohto návodu na obsluhu je v českom jazyku.

Výrobce/Manufacturer:
Fast ČR, a.s.
U Sanitasu 1621
Říčany 251 01, CZECH REPUBLIC

Distributor:
FAST PLUS, a.s.,
Vičie hrdlo 324/90
821 07 Bratislava, SLOVAKIA

PHILCO[®] 

is a pending or registered trademark of Electrolux Home Products, Inc. and used under a license from Electrolux Home Products, Inc.