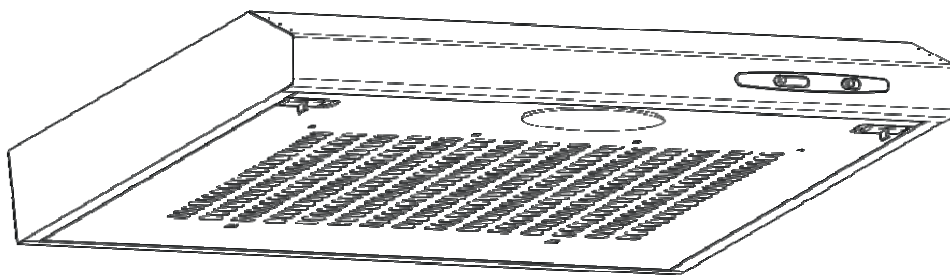


# **CFT610/5X/1 , CFT610/4W/1 CFT610/4N/1 , CFT60/5S/1 Cooker Hood Instruction Manual**

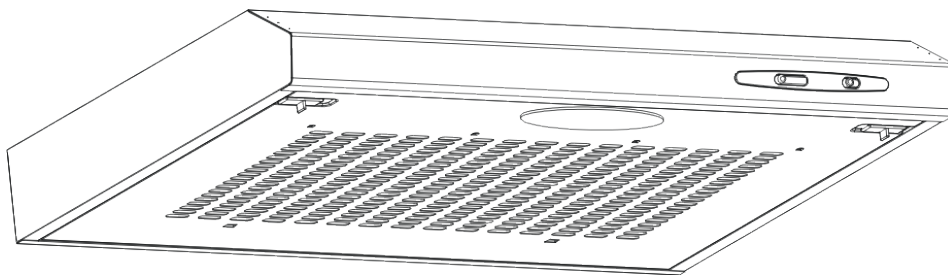


ENGLISH(EN)-----	PAGE 001
BULGARIAN (BG) -----	PAGE 012
CZECH (CS)-----	PAGE 023
GERMAN (DE) -----	PAGE 034
SPANISH (ES) -----	PAGE 045
FRENCH (FR) -----	PAGE 056
CROATIAN (HR) -----	PAGE 067
ITALIAN (IT) -----	PAGE 078
DUTCH (NL) -----	PAGE 089

ROMANIAN (RO)	PAGE 100
SLOVENIAN(SL)	PAGE 111
SLOVENSKY(SK)	PAGE 122
SRPSKI (SR)	PAGE 133

# Cooker Hood

## Instruction Manual



# Content

1.....	Safety instructions
2.....	Installation
3.....	Start using your cooker hood
4.....	Troubleshooting
5.....	Maintenance and cleaning
6.....	Environment protection

## SAFETY INSTRUCTIONS

This manual explains the proper installation and use of your cooker hood, please read it carefully before using even if you are familiar with the product. The manual should be kept in a safe place for future reference.

### Never to do:

- Do not try to use the cooker hood without the grease filters or if the filters are excessively greasy!
- Do not install above a cooker with a high level grill.
- Do not leave frying pans unattended during use because overheated fats or oils might catch fire.
- Never leave naked flames under the cooker hood.



- If the cooker hood is damaged, do not attempt to use.
- Do not flambé under the cooker hood.
- CAUTION: Accessible parts may become hot when used with cooking appliances.
- The minimum distance between the supporting surface for the cooking vessels on the hob and the lowest part of the cooker hood. (When the cooker hood is located above a gas appliance, this distance shall be at least 65 cm)
- The air must not be discharged into a flue that is used for exhausting fumes from appliances burning gas or other fuels.



### Always to do:

- Important! Always switch off the electricity supply at the mains during installation and maintenance such as light bulb replacement.
- The cooker hood must be installed in accordance with the installation instructions and all measurements followed.
- All installation work must be carried out by a competent person or qualified electrician.
- Please dispose of the packing material carefully. Children are vulnerable to it.
- Pay attention to the sharp edges inside the cooker hood especially during installation and cleaning.
- When the cooker hood is located above a gas appliance, the minimum distance between the supporting surface for the cooking vessels on the hob and the lowest part of the cooker hood that distance must be:  
Gas cookers: 75 cm  
Electric cookers: 65 cm  
Coal or oil cookers: 75 cm
- Make sure the ducting has no bends sharper than 90 degrees as this will reduce the efficiency of the cooker hood.
- Warning: Failure to install the screws or fixing device in accordance with these instructions may result in electrical hazards

## Always to do:

- Always put lids on pots and pans when cooking on a gas cooker.
- When in extraction mode, air in the room is being removed by the cooker hood. Please make sure that proper ventilation measures are being observed. The cooker hood removes odours from room but not steam.
- Cooker hood is for domestic use only.



- If the supply cord is damaged, it must be replaced by the manufacturer, its service agent or similarly qualified persons in order to avoid a hazard.
- This appliance can be used by children aged from 8 years and above and persons with reduced physical, sensory or mental capabilities or lack of experience and knowledge if they have been given supervision or instruction concerning use of the appliance in a safe way and understand the hazards involved. Children shall not play with the appliance. Cleaning and user maintenance shall not be made by children without supervision.



- **Warning:** Before obtaining access to terminals, all supply circuits must be disconnected.

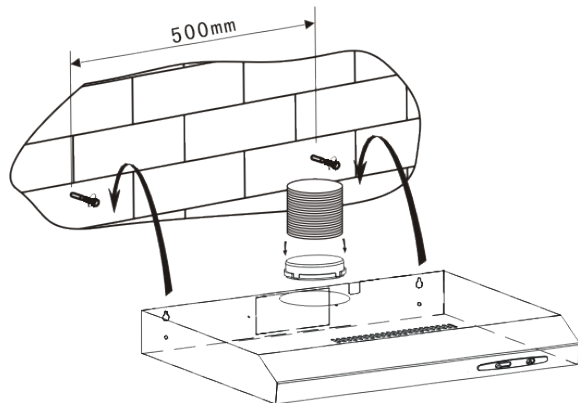
## Always to do:

- **Caution:** The appliance and its accessible parts can become hot during operation. Be careful to avoid touching the heating elements. Children younger than 8 years old should stay away unless they are under permanent supervision.
- There shall be adequate ventilation of the room when the cooker hood is used at the same time as appliances burning gas or other fuels.
- There is a fire risk if cleaning is not carried out in accordance with the instructions
- Regulations concerning the discharge of air have to be fulfilled.
- Clean your appliance periodically by following the method given in the chapter MAINTENANCE.
- For safety reason, please use only the same size of fixing or mounting screw which are recommended in this instruction manual.
- Regarding the details about the method and frequency of cleaning, please refer to maintenance and cleaning section in the instruction manual.
- Cleaning and user maintenance shall not be made by children without supervision.
- When the cooker hood and appliances supplied with energy other than electricity are simultaneously in operation, the negative pressure in the room must not exceed 4 Pa (4 x 10<sup>-5</sup> bar).
- **WARNING:** Danger of fire: do not store items on the cooking surfaces.
- A steam cleaner is not to be used.
- **NEVER** try to extinguish a fire with water, but switch off the appliance and then cover flame e.g. with a lid or a fire blanket.

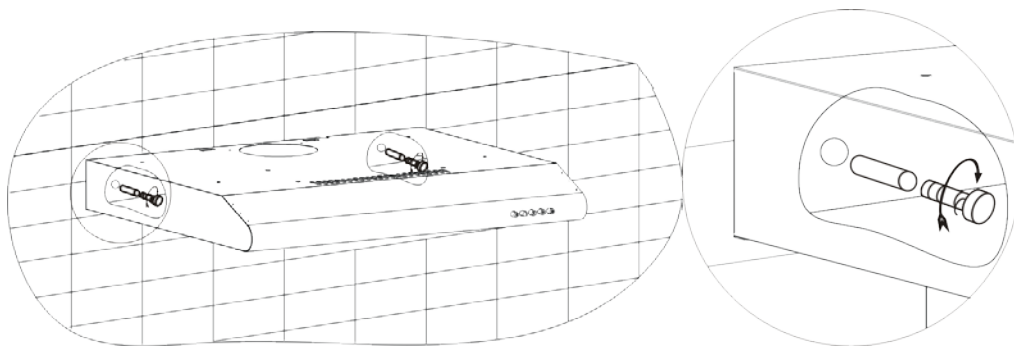
# INSTALLATION

## A. INSTALLATION (Wall Mounting)

- (1) Decide the location of the holes for fixing the cooker hood.
- (2) Mount the cooker hood on the wall by 4 screws (4x 30mm)

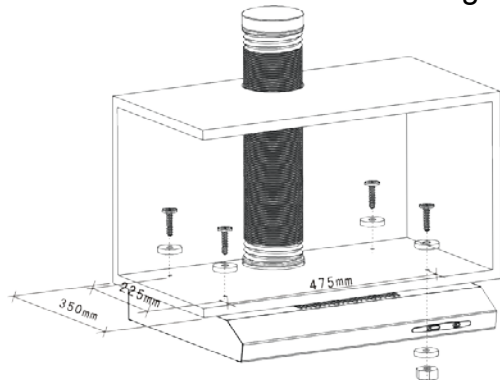


60cm cooker hood



## B. INSTALLATION (Cabinet Mounting)

- (1) Mount the cooker hood on the cabinet by 4 screws (4x35mm), 4 nuts and flat washers. Fix the hood on the cabinet by passing 4 screws and 4 flat washers from the top of cabinet to the cooker hood. Then inside the cooker hood, pass the flat washer and nut through the screw to hold the appliance on the cabinet.



60cm cookerhood

Noice: There are 2 methods for ventilation, including ' horizontal ventilation' and ' vertical ventilation'. Please pay attention to the ventilation method when installation.

Horizontal ventilation: See Pic 4A, please use the cover to seal the outlet on the top, then the air can be vented from back.

Vertical ventilation: See Pic 4B, please use the cover to seal the outlet on the back, then the air can be vented from top.

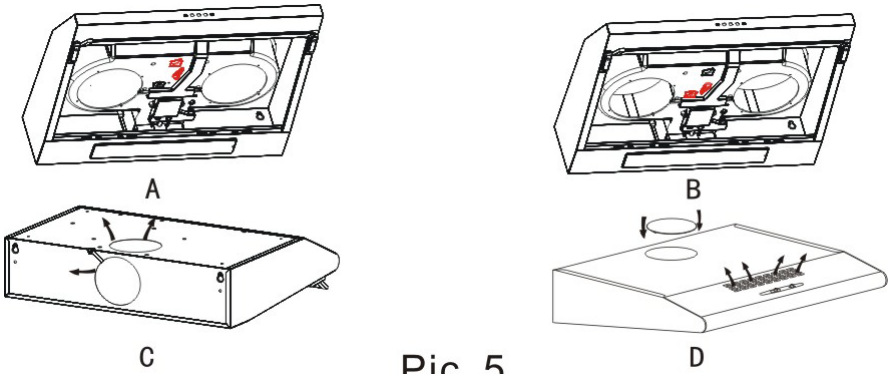


Pic 4

### Air ventilation setting


Outdoor air ventilation: Turn the adjuster to outdoor position(pic.5A), install the outlet, turn on the cooker hood, then the air will be vented from the outside outlet.

Indoor air ventilation: Turn the adjuster to indoor position (pic.5B), install the outlet cover, turn on the cooker hood, then the air can be vented from the inside outlet.



Pic 5



<p><b>WARNING:</b></p> 	<ul style="list-style-type: none"> <li>➤ For safety reason, please use only the same size of fixing or mounting screw which are recommended in this instruction manual.</li> <li>➤ Failure to install the screws or fixing device in accordance with these instructions may result in electrical hazards.</li> </ul>
--	--

## Start Using Your Cooker Hood

### **Toggle switch**

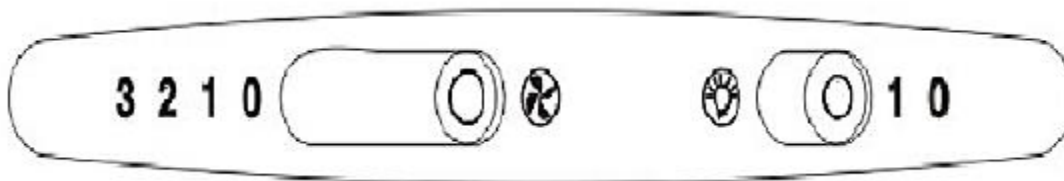
There are 3 speeds for the motor and on off switch for the lamp.  
Slide the switch for operation.

Motor Operation

- 0- off
- 1- Low Power Setting
- 2- Mid Power Setting
- 3- High Power Setting

Light Operation

- 0- Off
- 1- On



## TROUBLESHOOTING

Fault	Possible Cause	Solution
Light on, but motor does not work	Fan switch turned off	Select a fan switch position.
	Fan switch failed	Contact service center.
	Motor failed	Contact service center.
Light does not work, motor does not work	House fuses blown	Reset/Replace fuses.
	Power cord loose or disconnected	Refit cord to power outlet. Switch power outlet on.
Oil leakage	One way valve and the outlet are not tightly sealed	Take down the one way valve and seal with sealant.
	Leakage from the connection of chimney and cover	Take chimney down and seal.

Lights not working	Broken/Faulty globes	Replace globes as per this instruction.
Insufficient suction	The distance between the cooker hood and the gas top is too far	Refit the cooker hood to the correct distance.
The Cooker hood inclines	The fixing screw not tight enough	Tighten the hanging screw and make it horizontal.

**NOTE:**



Any electrical repairs to this appliance must conform to your local, state and federal laws. Please contact the service centre if in any doubt before undertaking any of the above. Always disconnect the unit from the power source when opening the unit.

## MAINTENANCE AND CLEANING

### Caution:

- Before maintenance or cleaning is carried out, the cooker hood should be disconnected from the main power supply. Ensure that the cooker hood is switched off at the wall socket and the plug removed.



- External surfaces are susceptible to scratches and abrasions, so please follow the cleaning instructions to ensure the best possible result is achieved without damage.

### GENERAL

Cleaning and maintenance should be carried out with the appliance cold especially when cleaning. Avoid leaving alkaline or acid substances (lemon juice, vinegar etc.) on the surfaces.

### STAINLESS STEEL

The stainless steel must be cleaned regularly (e.g. weekly) to ensure long life expectancy. Dry with a clean soft cloth. A specialized stainless steel cleaning fluid may be used.

#### NOTE:

Ensure that wiping is done along with the grain of the stainless steel to prevent any unsightly crisscross scratching patterns from appearing.

### CONTROL PANEL SURFACE

The inlay control panel can be cleaned using warm soapy water. Ensure the cloth is clean and well wrung before cleaning. Use a dry soft cloth to remove any excess moisture left after cleaning.

### Important

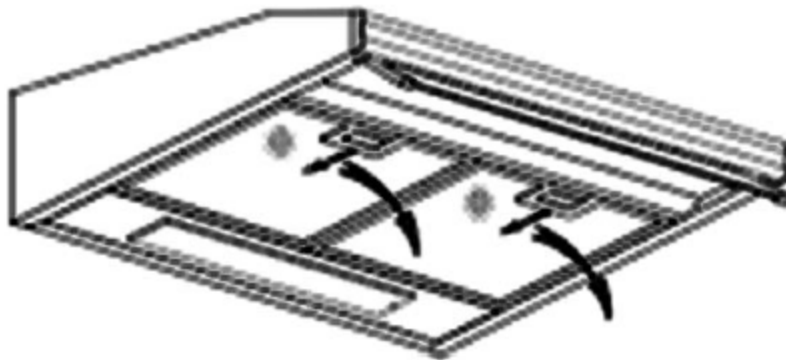
Using neutral detergents and avoid using harsh cleaning chemicals, strong household detergents or products containing abrasives, as this will affect the appliance appearance and potentially remove any printing of artwork on the control panel and will void manufactures warrantee.

## GREASE MESH FILTERS

The filters can be cleaned by hand. Soak them for about 3 minute in water with a grease-loosening detergent then brush it gently with a soft brush. Please do not apply too much pressure, avoid to damage it . (Leave to dry naturally out of direct sun light)

Filters should be washed separately to crockery and kitchen utensils. it is advisable not to use rinse aid.

- Removing the filters as the instruction in Pic.below.
- Please do not use abrasive detergent for it will damage the hood.



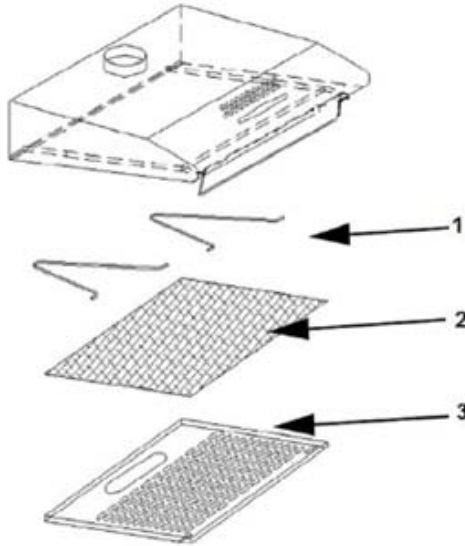
## INSTALLING GREASE MESH FILTERS

- To install filters for the following four steps .
  - Angle the filter into slots at the back of the hood.
  - Push the button on handle of the filter.
  - Release the handle once the filter fits into a resting position.
  - Repeat to install all filters.

## CARBON FILTER

Activated carbon filter can be used to trap odors. Normally the activated carbon filter should be changed at three or six months according to your cooking habit. The installation procedure of activated carbon filter is as below.

1. Remove the grease filter.
2. Place the carbon filter onto the grease filter.
3. Fix the properly-adjusted carbon filter with the small steel wire.
4. Reinstall the grease filter.
5. Use carbon filters for recirculation mode only.




1 Steel hanger      2 Carbon filter      3 Grease filter

**NOTE:**

- Make sure the filter is securely locked. Otherwise, it would loosen and cause dangerous.
- When activated carbon filter attached, the suction power will be lowered.

**BULB REPLACEMENT**

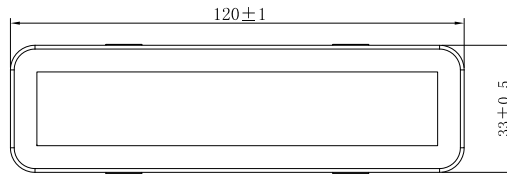
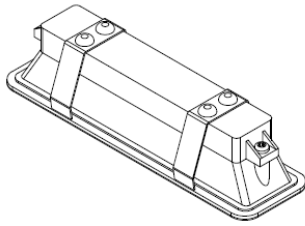
<p>Important :</p> 	<ul style="list-style-type: none"> <li>✧ The bulb must be replaced by the manufacturer, its service agent or similarly qualified persons.</li> <li>✧ Always switch off the electricity supply before carrying out any operations on the appliance. When handling bulb, make sure it is completely cool down before any direct contact to hands.</li> <li>✧ When handling globes hold with a cloth or gloves to ensure perspiration does not come in contact with the globe as this can reduce the life of the globe.</li> </ul>
--	---

**Changing the light:**



\*Before changing the lights, make sure that the appliance is plugged off.

\*Use the screw driver loosen the ST4\*8MM self tapping screw (2pcs) from the lighting panel, take out the lighting fixture. Open the terminal box that connected with the wire, disconnect the wire connector and replace the lamp.

- ILCOS D code for this lamp is: DBS-2/65-H-120/33
- LED modules –rectangle lamp
- Max wattage: 2 W
- Voltage range: AC 110-240V
- Dimensions:



## ENVIRONMENTAL PROTECTION:

 	<p>This product is marked with the symbol on the selective sorting of waste electronic equipment. This means that this product must not be disposed of with household waste but must be supported by a system of selective collection in accordance with Directive 2012/19/EU. It will then be recycled or dismantled to minimize impacts on the environment, electrical and electronic products are potentially dangerous for the environment and human health due to the presence of hazardous substances. For more information, please contact your local or regional authorities.</p>
--	---

### **NOTE:**

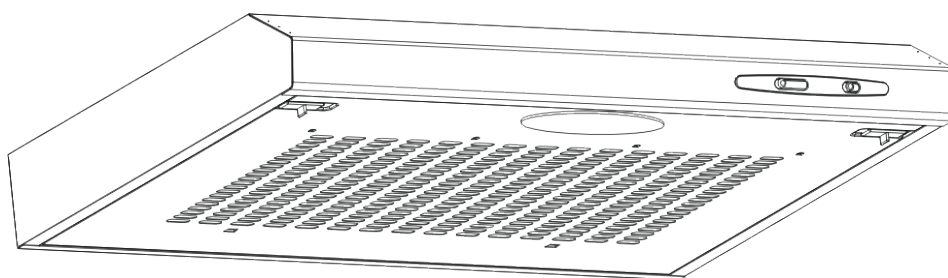
The following shows how to reduce total environmental impact (e.g. energy use) of the cooking process).

- (1) Install the cooker hood in a proper place where there is efficient ventilation.
- (2) Clean the cooker hood regularly so as not to block the airway.
- (3) Remember to switch off the cooker hood light after cooking.
- (4) Remember to switch off the cooker hood after cooking.

## **INFORMATION FOR DISMANTLING**

Do not dismantle the appliance in a way which is not shown in the user manual. The appliance could not be dismantled by user. At the end of life, the appliance should not be disposed of with household waste. Check with you Local Authority or retainer for recycling advice.

Аспиратор  
Ръководство с инструкции



## С ъ д ъ р ж а н и е

- 1 ..... И н с т р у к ц и и з а б е з о п а с н о с т
- 2 ..... М о н т и р а н е
- 3 ..... З а п о ч н е т е д а и з п о л з в а т е с в о я а с п и р а т о р
- 4 ..... О т с т р а н я в а н е н а н е и з п р а в н о с т и
- 5 ..... П о д д р ъ ж к а и п о ч и с т в а н е
- 6 ..... З а щ и т а н а о к о л н а т а с р е д а

## ИНСТРУКЦИИ ЗА БЕЗОПАСНОСТ

Товарьководстворазяснявакакправилнодамонтирате и използватесвояаспиратор. Моля, прочететеговнимателно, предидагоизползвате, дори и акоестезапознати с продукта. Съхранявайтерьководствотонасигурномястозабъдещисправки.

### Какво да не правите:

- Не се опитвайте да използвате аспиратора без филтрите за мазнини или ако филтрите са силно замърсени!
- Не монтирайте над готварска печка с висок грил.
- Не оставяйте без надзор тигани по време на употреба, защото прекалено нагорещените мазнини или масла могат да се запалят.
- Никога не оставяйте непокрити пламъци под аспиратора.



- Ако аспираторът е повреден, не се опитвайте да го използвате.
- Не фламбирайте под аспиратора.
- **ВНИМАНИЕ:** Достъпните части могат да се нагорещят, когато се използват с готварски уреди.
- Не оставяйте минимално разстояние между готварските уреди върху плота и най-ниската част на аспиратора. (Когато аспираторът е разположен над газов уред, разстоянието трябва да е поне 65 см)
- Въздухът не бива да се отвежда към вентилационна тръба, която се използва за изгорели газове от уреди на газ или други горива.



### Какво да правите:

- **Важно!** Винаги изключвайте електрозахранването по време на монтиране и поддръжка, като

например замяна на електрическа лампичка.

- Монтирането на аспиратора трябва да е в съответствие с инструкциите за монтаж, като се извършват всички измервания.
- Монтирането трябва да се извърши от компетентно лице или квалифициран електротехник.
- Моля, внимателно изхвърлете опаковъчните материали. Възможно е да наранят деца.
- Обърнете внимание на острите ръбове на аспиратора, особено по време на монтиране и почистване.
- Когато аспираторът се намира над газов уред, минималното разстояние между готварските уреди на плота и най-ниската част на аспиратора трябва да бъде:  
Газови готварски печки: 75 см  
Електрически готварски печки: 65 см  
Печки на въглища или масло: 75 см
- Уверете се, че ъглите на въздухопроводите не са по-остри от 90 градуса, защото това ще намали ефективността на аспиратора.
- Предупреждение: Могат да възникнат електрически опасности при неуспешно поставяне на винтовете или монтиране на устройството в съответствие с настоящите инструкции.



## Какво да правите:

- Винаги поставяйте капаци върху тенджерите и тиганите, когато готвите на газова печка.
- В режим на изсмукване. въздухът в стаята се отвежда от аспиратора. Моля, уверете се, че се спазват необходимите мерки за вентилация. Аспираторът премахва миризмите от стаята, но не и изпаренията.
- Аспираторът е предназначен само за домашна употреба.



- Ако захранващият кабел е повреден, трябва да се замени от производителя, от негов сервиз или друго квалифицирано лице, за да се избегнат злополуки.
- Този уред може да се използва от деца над 8-годишна възраст и от лица с намалени физически, сетивни или умствени способности или липса на опит и познания, ако се наблюдават или са инструктирани за използването на уреда по безопасен начин и разбират свързаните с това опасности. Децата не бива да използват уреда за игра. Почистването и потребителската поддръжка на уреда не бива да се извършва от деца без надзор.



- Предупреждение: Преди да осъществите достъп до изводите, трябва да изключите всички захранващи вериги.

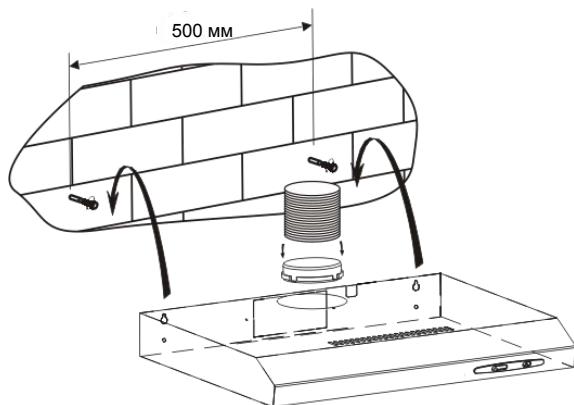
## Какво да правите:

- Внимание: Уредът и достъпните му части могат да се нагорещят по време на работа. Внимавайте и не докосвайте нагревателните елементи. Деца под 8-годишна възраст не трябва да стоят в близост до уреда, освен ако не са под постоянен надзор.
- Стаята трябва да се вентилира адекватно, когато аспираторът се използва по същото време с уреди, които горят газ или други горива.
- Съществува опасност от пожар, ако почистването не се извършва в съответствие с инструкциите.
- Трябва да спазвате разпоредбите относно изпускането на въздух.
- Почиствайте уреда си периодично по начина, който е описан в глава ПОДДРЪЖКА.
- От съображения за безопасност, моля, използвайте само този размер винтове за поставяне или монтиране, които се препоръчват в настоящото ръководство с инструкции.
- За подробности относно начина и честотата на почистване, моля направете справка с раздела за поддръжка и почистване в ръководството с инструкции.
- Почистването и поддръжката на уреда от потребителите не бива да се извършват от деца без надзор.
- Когато аспираторът се използва едновременно с уреди, които не използват електрическа енергия, а друг вид захранване, отрицателното налягане в стаята не бива да надвишава 4 Pa (4 x 10<sup>-5</sup> bar).
- ПРЕДУПРЕЖЕНИЕ: Опасност от пожар: не съхранявайте предмети върху повърхностите за готвене.
- Не бива да използвате уреди за почистване с пара.
- НИКОГА не се опитвайте да изгасите пожар с вода, а вместо това изключете уреда и покрийте пламъците, например с капак или противопожарно одеяло.

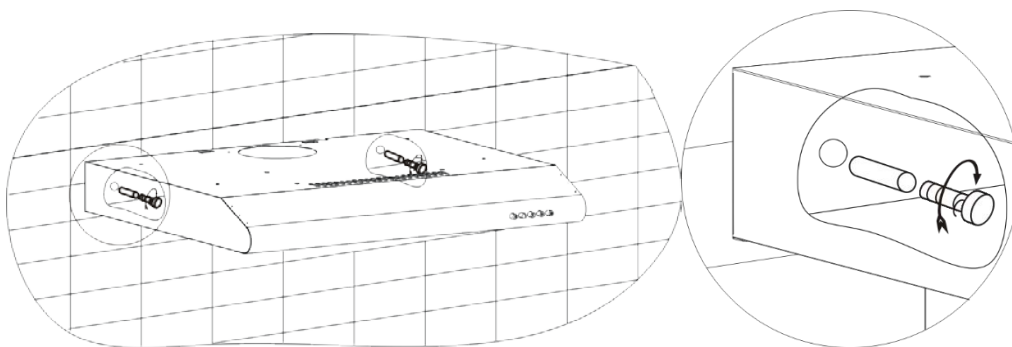
## **МОНТИРАНЕ**

### **А. МОНТИРАНЕ (на стена)**

- (1) Решете къде ще разположите дупките за монтиране на аспиратора.
- (2) Монтирайте аспиратора на стената с четири винта (4 x 30 мм).

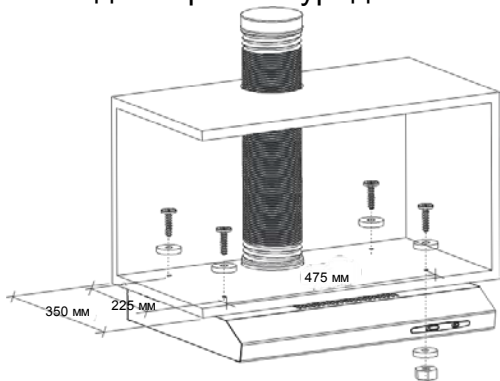


Аспиратор – 60 см



### **В. МОНТИРАНЕ (в шкаф)**

- (1) Монтирайте аспиратора в шкафа с четири винта (4 x 35 мм), 4 гайки и плоски шайби. Монтирайте аспиратора в шкафа, като прокарате 4-те винта и плоските шайби от горната част на шкафа през отворите на аспиратора. След това вътре в аспиратора сложете плоски шайби и гайки на винтовете, за да закрепите уреда към шкафа.

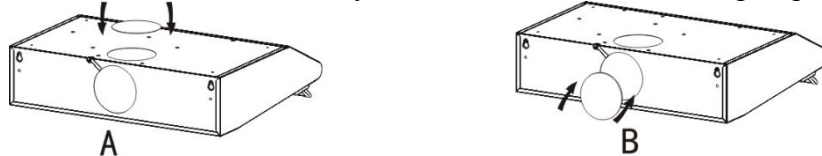


Аспиратор – 60 см

**З а б е л е ж к а :** Има два начина на вентилация – хоризонтална и вертикална вентилация. Моля, вземете предвид начина на вентилация, когато извършвате монтирането.

Хоризонтална вентилация: Вижте Изображение 4А. Моля, използвайте капака, за да затворите горния изход, след което въздухът ще може да се вентилира през задния изход.

Вертикална вентилация: Вижте Изображение 4В. Моля, използвайте капака, за да затворите задния изход, след което въздухът ще може да се вентилира през горния изход.



ИЗОБРАЖЕНИЕ 4

### Настройка на вентилацията на въздуха

Вентилация на открито: Завъртете регулатора на позиция за вентилация на открито (изображение 5А), монтирайте изпускателния отвор, включете аспиратора и въздухът ще се вентилира от външния изпускателен отвор.

Вентилация на закрито: Завъртете регулатора на позиция за вентилация на закрито (изображение 5В), монтирайте капака на изпускателния отвор, включете аспиратора и въздухът ще може да се вентилира от вътрешния изпускателен отвор.



ИЗОБРАЖЕНИЕ 5

#### ПРЕДУПРЕЖДЕНИЕ



- От съображения за сигурност, моля, използвайте само този размер винтове за поставяне или монтиране, които се препоръчват в настоящото ръководство с инструкции.
- При неуспешно поставяне на винтовете или монтиране на устройството в съответствие с настоящите инструкции могат да възникнат електрически опасности.

# З а п о ч н е т е д а и з п о л з в а т е с в о я а с п и р а т о р

## **Превключвател**

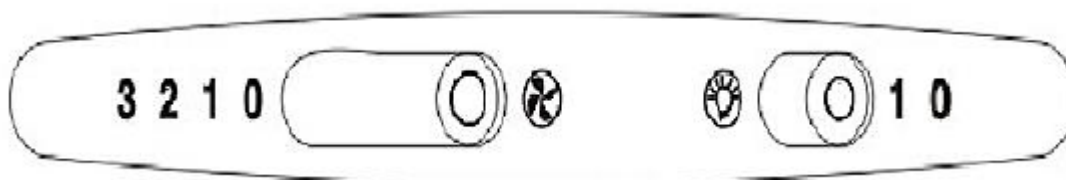
Има три скорости на мотора и бутон за включване и изключване на лампичката. Плъзнете превключвателя, за да изберете действие.

Мотор

- 0- изключено
- 1- малка мощност
- 2- средна мощност
- 3- голяма мощност

Светлинни индикатори

- 0- изключено
- 1- включено



## **ОТСТРАНЯВАНЕ НА НЕИЗПРАВНОСТИ**

Неизправност	Вероятна причина	Решение
Светлинният индикатор свети, но моторът не работи	Превключвателят на вентилатора е изключен	Изберете позиция на превключвателя на вентилатора.
	Превключвателят на вентилатора е неисправен	Свържете се с обслужващия център.
	Моторът е неисправен	Свържете се с обслужващия център.
Светлинният индикатор не свети, моторът не работи	Предпазителите в дома ви са изгорели	Нулирайте/заменете предпазителите.
	Захранващият кабел не е вкаран докрай или е изваден	Включете кабела в източника на захранване. Включете източника на захранване.
Теч на масло	Вентилът и изпускателният отвор не са уплътнени добре	Свалете вентила и го уплътнете с уплътнител.
	Теч от връзката между комина и аспиратора	Уплътнете комина.
Светлинните индикатори не работят	Счупени/неисправни лампички	Заменете лампичките съгласно това упътване.

Недостатъчно засмукване	Разстоянието между аспиратора и повърхността на газовата печка е твърде голямо	Монтирайте аспиратора на правилното разстояние.
Аспираторът се накланя	Болтовете за закрепване не са завити достатъчно	Завийте болтовете за закрепване и изправете аспиратора в хоризонтално положение.

### **ЗАБЕЛЕЖКА:**



Всички електрически ремонти на този уред трябва да отговарят на вашите местни, регионални и национални закони. Моля, свържете се с обслужващия център, ако имате каквито и да е съмнения, преди да извършите някое от описаните по-горе действия. Винаги изключвайте уреда от източника на захранване, когато трябва да го отворите.

## **ПОДДРЪЖКА И ПОЧИСТВАНЕ**

### **Внимание:**

- Преди да предприемете дейности за поддръжка или почистване, трябва да изключите аспиратора от електрозахранването. Уверете се, че щепселът на аспиратора е изваден от контакта на стената.



- Външните повърхности са податливи на надраскване и износване, така че, моля, следвайте инструкциите за почистване, за да се уверите, че ще постигнете най-добрия възможен резултат без щети.

## **ОБЩА ИНФОРМАЦИЯ**

Дейностите за поддръжка и особено за почистване трябва да се извършват, когато уредът е студен. Избягвайте да оставяте алкални или киселинни течности (лимонов сок, оцет и др.) върху повърхностите.

## **НЕРЪЖДАЕМА СТОМАНА**

Повърхностите от неръждаема стомана трябва да се почистват редовно (напр. веднъж седмично), за да се гарантира дълъг експлоатационен цикъл. Подсушавайте с парче сух, мек плат. Можете да използвате специални течности за почистване на неръждаема стомана.

## **ЗАБЕЛЕЖКА:**

Избърсвайте по текстурата на неръждаемата стомана, за да предотвратите появата на неприятни за окото кръстосани надрасквания.

## **ПОВЪРХНОСТТА НА ПАНЕЛА ЗА УПРАВЛЕНИЕ**

Вграденият панел за управление може да се почиства с топла сапунена вода. Уверете се, че платът е чист и добре изцеден, преди да започнете почистването. Използвайте парче сух, мек плат, за да премахнете останалата след почистването влага.

## **Важно**

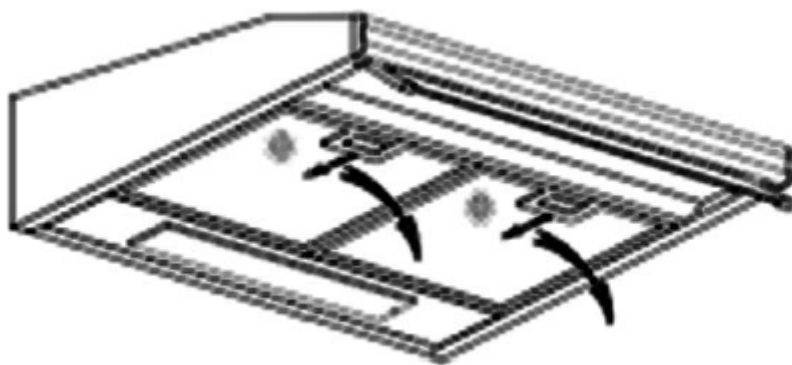
Използвайте неутрални почистващи препарати и избягвайте да използвате разяждащи почистващи химикали, разяждащи почистващи препарати или продукти, които съдържат абразивни вещества, защото това ще засегне външния вид на уреда и потенциално може да премахне отпечатаната украса на панела за управление и да анулира гаранцията на производителя.

## **МРЕЖЕСТИ ФИЛТРИ ЗА МАЗНИНИ**

Филтрите могат да се почистват на ръка. Накиснете за около 3 минути във вода с почистващ препарат за отстраняване на мазнини, след което ги избършете нежно с мека четка. Моля, не прилагайте твърде силен натиск, за да не повредите филтрите. (Оставете ги да изсъхнат, без да са изложени на пряка слънчева светлина)

Филтрите трябва да се мият отделно от съдове за хранене и кухненски прибори, препоръчително е да не използвате препарат за изплакване.

- Свалете филтрите според инструкцията на изображението по-долу.
- Моля, не използвайте абразивни почистващи препарати, защото ще повредят аспиратора.



## **ПОСТАВЯНЕ НА МРЕЖЕСТИТЕ ФИЛТРИ ЗА МАЗНИНИ**

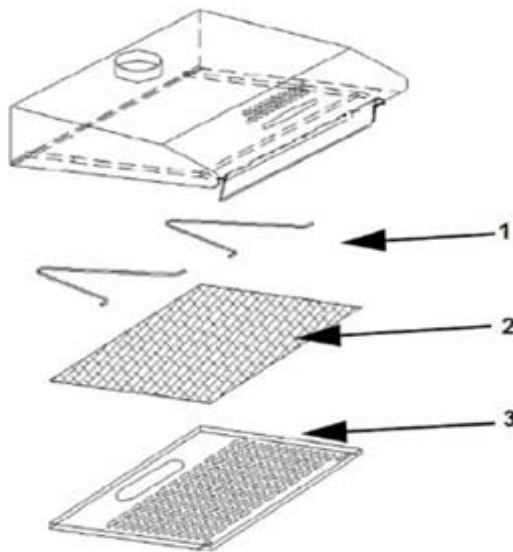
- За да поставите филтрите, изпълнете следните четири стъпки.
  - Разположете филтъра в отворите от задната страна на аспиратора.
  - Натиснете бутона върху дръжката на филтъра.
  - Освободете дръжката, когато филтърът заеме предвиденото положение.

- Повторете, за да поставите всички филтри.

## ФИЛТЪР С ВЪГЛЕН

Филтърът с активен въглен може да се използва за улавяне на миризми. По принцип филтърът с активен въглен трябва да се сменя на всеки три или шест месеца в зависимост от начина, по който готвите. Процесът на поставяне на филтъра с активен въглен е както следва:

1. Свалете филтъра за мазнини.
2. Поставете филтъра с въглен върху филтъра за мазнини.
3. Закрепете правилно поставения филтър с въглен със стоманената кукичка.
4. Поставете отново филтъра за мазнини.
5. Използвайте филтрите с въглен само в режим на рециркулиране.



1. Стоманена кукичка


2. Филтър с въглен

3. Филтър за мазнини

### ЗАБЕЛЕЖКА:

- Уверете се, че филтърът е закрепен надеждно. В противен случай ще се разхлаби и може да причини нараняване.
- Когато филтърът с активен въглен е поставен, силата на засмукване ще намалее.

## ЗАМЯНА НА ЛАМПИЧКА

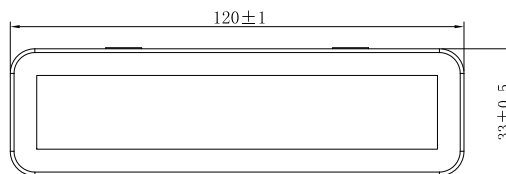
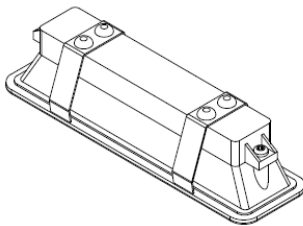
<p>Важно:</p> 	<ul style="list-style-type: none"><li>✧ Лампичката трябва да се замени от производителя, от негов сервиз или друго квалифицирано лице.</li><li>✧ Винаги изключвайте електрозахранването, преди да извършвате каквито и да е дейности по уреда. Уверете се, че лампичката е изстинала напълно, преди да я докоснете с ръце.</li><li>✧ Дръжте лампичките с парче плат или ръкавици, за да се уверите, че по тях няма да попадне пот, защото това може да намали експлоатационния им цикъл.</li></ul>
---	--

## Смян на осветлението:

\*Преди да смените лампичките, уверете се, че уредът е изключен от електрическата мрежа.

\*Използвайте отвертка, за да разхлабите самонарязващите се винтове (8 мм, 2 броя) от панела на осветлението, след което свалете панела. Отворете клемната кутия, която е свързана с кабела, изключете съединителя и заменете лампата.

- Кодът по ILCOS D за тази лампа е: DBS-2/65-H-120/33
- Светодиодни модули – правоъгълна лампа
- Максимална мощност: 2 W
- Диапазон на напрежението: AC 110 – 240 V
- Размери:



## ЗАЩИТА НА ОКОЛНАТА СРЕДА:

	<p>Този продукт е обозначен със символа за селективно сортиране за изхвърляне на електрическо и електронно оборудване. Това означава, че продуктът не може да се изхвърля като битов отпадък, а трябва да бъде включен в системата за селективно събиране в съответствие с Директива 2012/19/ЕС. Тогава ще бъде рециклиран или разглобен с цел намаляване влиянието върху околната среда. Електрическите и електронните продукти са потенциално опасни за околната среда и човешкото здраве поради наличието на рискови вещества. За повече информация, моля, свържете се с местните или регионални власти.</p>
--	---

### З А Б Е Л Е Ж К А :

Следват съвети как да намалите цялостното влияние върху околната среда (напр. Употреба на електричество) на процеса на готвене.

- (1) Монтирайте аспиратора на подходящо място, където има ефективна вентилация.
- (2) Почиствайте редовно аспиратора, за да не се запушат въздухопроводите.
- (3) Не забравяйте да изключите осветлението на аспиратора, след като приключите с готвенето.
- (4) Не забравяйте да изключите аспиратора, след като приключите с готвенето.

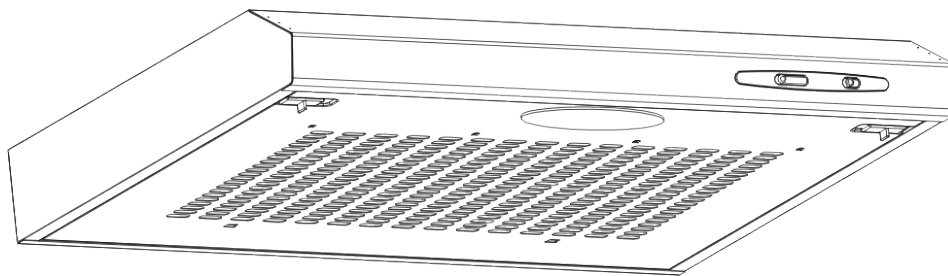
## ИНФОРМАЦИЯ ЗА РАЗГЛОБЯВАНЕ

Не разглобявайте уреда по начин, който не е показан в ръководството с инструкции. Уредът не бива да се разглобява от потребителите. В края на експлоатационния му цикъл уредът не бива да се изхвърля като битов отпадък. Обърнете се към местните власти или експерти за съвет за рециклиране.



# Digestoř

## Návod k obsluze



# Obsah

1 .....	Bezpečnostní pokyny
2 .....	Instalace
3 .....	Používání digestoře
4 .....	Řešení potíží
5 .....	Údržba a čištění
6 .....	Ochrana životního prostředí

## **BEZPEČNOSTNÍ POKYNY**

Tento návod vysvětluje správnou instalaci a používání digestoře. I když produkt znáte, před použitím digestoře si návod přečtěte. Uložte návod na bezpečném místě pro pozdější použití.

### Co nikdy nedopustit:

- Nezkoušejte používat digestoř bez tukových filtrů nebo když jsou tukové filtry nadměrně zanesené!
- Neinstalujte na sporák s vysoko umístěným grilem.
- Nenechávejte pánve bez dozoru, protože přehřáté tuky nebo oleje mohou vzplanout.
- Nikdy nenechte pod digestoří otevřený plamen.



- Pokud je digestoř poškozená, nepoužívejte ji.
- Pod digestoří neflambujte.
- POZOR: Přístupné součásti mohou být při vaření horké.
- Minimální vzdálenost mezi plochou plotny a nejnižší součástí digestoře. (Pokud je digestoř umístěna nad plynovým sporákem musí být tato vzdálenost alespoň 65 cm)
- Vzduch nesmí být odváděn do komína, který je používán pro odvod spalin plynových spotřebičů nebo spotřebičů používajících jiná paliva.



### Co je vždy nutné:

- Důležité! Při instalaci nebo údržbě, například při výměně žárovky, vždy vypněte proud.
- Digestoř musí být instalována podle pokynů k instalaci a je nutné dodržet všechny rozměry.
- Všechny činnosti při instalaci musí provádět kompetentní osoba nebo kvalifikovaný elektrikář.
- Obalový materiál zlikvidujte opatrně. Mohlo by dojít k poranění dětí.
- Věnujte pozornost ostrým hranám uvnitř digestoře, zvláště při instalaci a čištění.
- Pokud je digestoř umístěna nad plynovým sporákem, minimální vzdálenost mezi plochou plotny a nejnižším bodem digestoře musí být:  
Plynové sporáky: 75 cm  
Elektrické sporáky: 65 cm  
Sporáky na uhlí nebo topný olej: 75 cm
- Zajistěte, aby na odvodu plynů z digestoře nebyly ohyby ostřejší než 90 stupňů. Snížila by se účinnost digestoře.
- Varování: Pokud nejsou šrouby a upevňovací prvky namontovány podle těchto pokynů, může dojít k úrazu elektrickým proudem.

## Co je vždy nutné:

- Pokud vaříte na plynovém sporáku, vždy na hrnce a pánve dejte pokličku.
- V režimu odsávání je z místnosti odsáván vzduch. Zajistěte dostatečné větrání. Digestoř odsává z místnosti pachy, ale ne páru.
- Digestoř je určena pouze k použití v domácnosti.



- Pokud se poškodí napájecí kabel, výměnu musí provést výrobce, jeho servisní zástupce nebo osoby s podobnou kvalifikací, aby se vyloučilo riziko..
- Tento spotřebič mohou používat děti starší osmi let a osoby s omezenými fyzickými, smyslovými nebo duševními schopnostmi nebo osoby nezkušené a neznalé za předpokladu, že mají zajištěný dohled nebo byly poučeny o bezpečném používání spotřebiče a chápou související rizika. Děti si s digestoří nesmí hrát. Děti nesmí provádět čištění a uživatelskou údržbu bez dohledu.



- Varování: Před tím, než se dotknete svorek, musí být všechny obvody odpojeny.

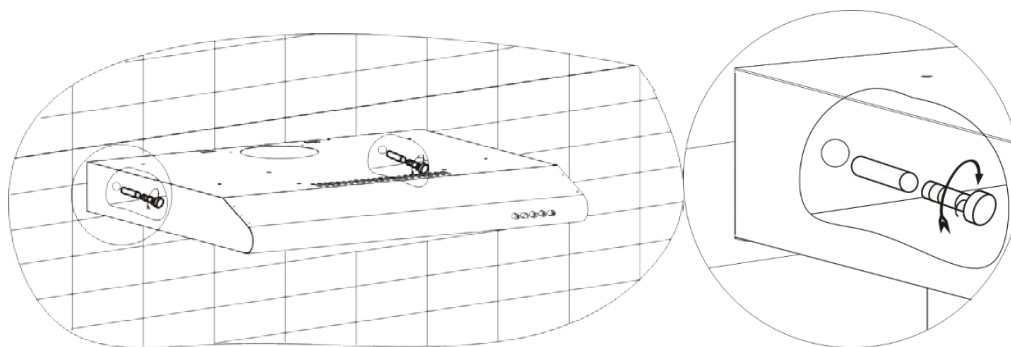
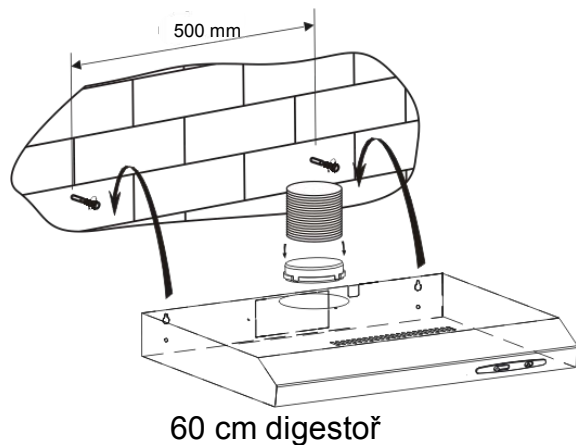
## Co je vždy nutné:

- Pozor: Spotřebič a jeho přístupné součásti se mohou při používání zahřát. Zabraňte dotyku s horkými součástmi. Děti mladší než 8 let se nesmí přibližovat, pokud nejsou pod stálým dozorem.
- Pokud je digestoř používána v místnosti, kde jsou další spotřebiče spalující plyn nebo jiná paliva, musí být zajištěno dostatečné větrání.
- Pokud není prováděno čištění podle pokynů, existuje riziko požáru.
- Musí být dodržovány předpisy pro odvod vzduchu.
- Pravidelně spotřebič čistěte postupem uvedeným v kapitole ÚDRŽBA.
- Z bezpečnostních důvodů používejte pouze šrouby, které jsou doporučeny v tomto návodu.
- Podrobnosti a intervaly čištění jsou uvedeny v popisu údržby a čištění v návodu k obsluze.
- Děti nesmí provádět čištění a uživatelskou údržbu bez dohledu.
- Pokud jsou digestoř a současně fungující spotřebiče připojeny na napájení jiné, než elektrickou energií, podtlak v místnosti nesmí překročit 4 Pa ( $4 \times 10^{-5}$  bar).
- **VAROVÁNÍ:** Nebezpečí požáru: neskladujte předměty na varném povrchu.
- Nepoužívejte parní čistič.
- **NIKDY** se nepokoušejte hasit požár vodou, ale vypněte spotřebič a potom zakryjte plamen např. pokličkou nebo hasicí rouškou.

## **INSTALACE**

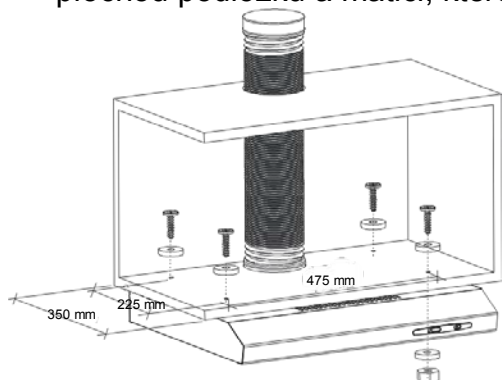
### **A. INSTALACE (Montáž na stěnu)**

- (1) Určete místa pro otvory pro připevnění digestoře.
- (2) Upevněte digestoř na stěnu 4 šrouby (4× 30 mm)



### **B. INSTALACE (Montáž do linky)**

- (1) Připevněte digestoř na linku 4 šrouby (4× 35 mm), 4 maticemi a plochými podložkami. Upevněte digestoř na linku prostrčením 4 šroubů s plochými podložkami ze shora linky k digestoři. Uvnitř digestoře nasadte na šroub plochou podložku a matici, které budou držet spotřebič v lince.



Upozornění: Ventilace může být dvojitá, „vodorovná ventilace“ a „svislá ventilace“. Při instalaci vyberte směr ventilace.

Vodorovná ventilace: Viz Obr. 4A. Použijte kryt pro utěsnění výstupu na horní straně. Vzduch bude proudit ze zadní strany.

Svislá ventilace: Viz Obr. 4B. Použijte kryt pro utěsnění výstupu na zadní straně. Vzduch bude proudit z horní strany.

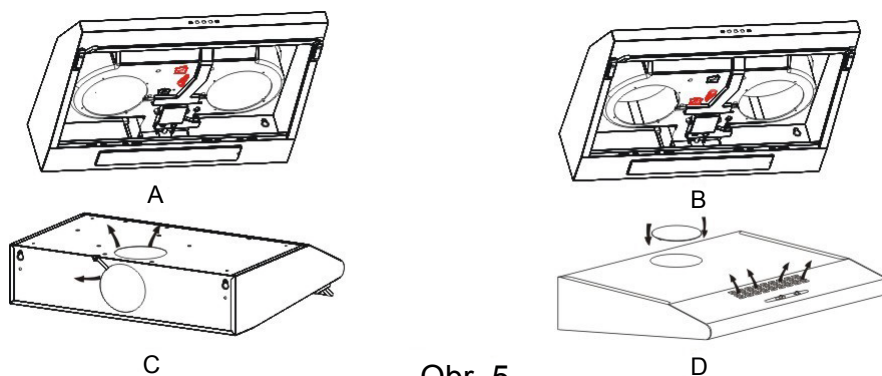


Obr. 4


### Nastavení větrání

Větrání ven z místnosti: Otočte regulátor do polohy ven (Obr. 5A), namontujte na digestoř potrubí. Vzduch bude vystupovat z venkovního výstupu.

Větrání uvnitř místnosti: Otočte regulátor do polohy uvnitř (Obr. 5B), namontujte na digestoř kryt. Zapněte digestoř, vzduch bude vystupovat z vnitřního výstupu.



Obr. 5

<b>VAROVÁNÍ:</b> 	<ul style="list-style-type: none"> <li>➤ Z bezpečnostních důvodů používejte pouze šrouby, které jsou doporučené v tomto návodu.</li> <li>➤ Pokud nejsou šrouby a upevňovací prvky namontovány podle těchto pokynů, může dojít k úrazu elektrickým proudem.</li> </ul>
---	---

## Používání digestoře

### **Přepínač**

K dispozici jsou 3 rychlosti motoru a vypínač světla.

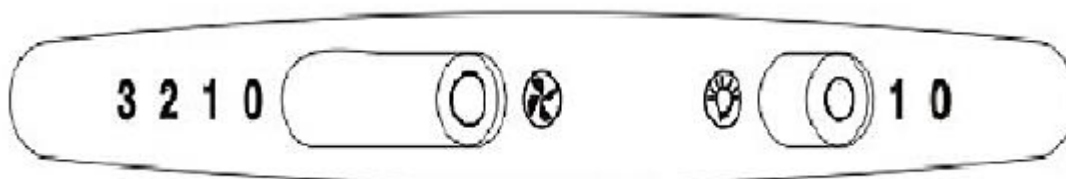
Změna nastavení se provádí posunutím.

Ovládání motoru

- 0- Vypnuto
- 1- Nízké otáčky
- 2- Střední otáčky
- 3- Vysoké otáčky

Světlo

- 0- Vypnuto
- 1- Zapnuto



## ŘEŠENÍ POTÍŽÍ

Závada	Možná příčina	Řešení
Světlo svítí, ale motor nefunguje	Ventilátor je vypnut	Zapněte ventilátor.
	Ventilátor je porouchaný	Kontaktujte servisní středisko.
	Porucha motoru	Kontaktujte servisní středisko.
Nesvítí světlo, motor nefunguje	Přepálená pojistka v domácnosti	Resetujte/vyměňte pojistky.
	Kabel napájení uvolněný nebo odpojený	Zasuňte kabel do zásuvky. Zapněte zásuvku.
Uniká olej	Jednosměrný ventil nebo výstup nejsou utěsněny	Vymontujte jednosměrný ventil a utěsněte.
	Únik z připojení komína a krytu.	Odpojte komín a utěsněte.

Světla nesvítí	Vadná/porouchaná žárovka	Vyměňte žárovku podletěchto pokynů.
Nedostatečné sání	Vzdálenost mezi digestoří a sporákem a je příliš velká	Umístěte digestoř do správné vzdálenosti.
Digestoř se naklání	Upevňovací šrouby nejsou dostatečně utažené.	Utáhněte šrouby, aby byla digestoř ve vodorovné poloze.

### **POZNÁMKA:**



Jakékoliv opravy elektrického zapojení tohoto spotřebiče musí být v souladu s místními, národními a federálními zákony. Pokud je chcete provést a máte pochybnosti, kontaktujte servisní centrum. Před otevřením jednotky ji vždy odpojte od napájení.

## **ÚDRŽBA A ČIŠTĚNÍ**

### **Pozor:**

- Před údržbou nebo čištěním musí být digestoř odpojena od napájení. Zkontrolujte, že je digestoř vypnutá a odpojena od zásuvky.
- Vnější povrchy jsou náchylné k poškrábání a zdrsnění, proto postupujte podle pokynů pro čištění, aby byl zajištěn co nejlepší výsledek bez poškození.



## **OBECNÉ INFORMACE**

Čištění a údržba spotřebiče se musí provádět, když je spotřebič vychladlý. Zabraňte, aby na povrchu zůstaly zásadité nebo kyselé látky (šťáva z citronu, ocet atd.).

## **NEREZOVÁ OCEL**

Nerezovou ocel je nutné pravidelně čistit (každý týden), aby byla zajištěna její dlouhá životnost. Vysušte čistým suchým hadrem. Lze použít specializovaný prostředek na čištění nerezové oceli.

### **POZNÁMKA:**

Dokonale otřete, aby se nezobrazily na nerezové oceli šmouhy.

## **POVRCH OVLÁDACÍHO PANELU**

Povrch ovládacího panelu lze čistit mýdlovou vodou. Před čištěním zkontrolujte, že je hadr čistý a dobře vyždímaný. Po čištění odstraňte vlhkost suchým měkkým hadrem.

## **Důležité**

Pouijte neutrální čisticí prostředky a nepoužívejte silné chemikálie, silné domácí čisticí prostředky nebo produkty obsahující drsné částice, které by mohly ovlivnit vzhled spotřebiče a odstranit nápisy na ovládacím panelu a zneplatnit záruku.

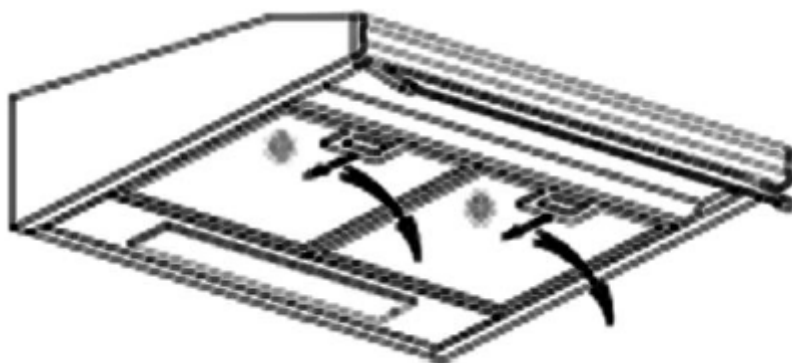


## MŘÍŽKOVÉ TUKOVÉ FILTRY

Filtry lze čistit rukou. Ponořte je na 3 minuty do vody s čisticím prostředkem rozpouštějícím tuky a poté je vykartáčujte měkkým kartáčem. Netlačte příliš, aby se filtry nepoškodily. (Nechte přirozeně uschnout mimo přímé sluneční světlo)

Filtry je nutné mýt odděleně od mytí nádobí a příborů. Doporučuje se nepoužívat prostředky pro oplachování.

- Odstranění filtrů podle pokynů v obrázku níže.
- Nepoužívejte drsné čisticí prostředky, které by mohly poškodit digestoř.



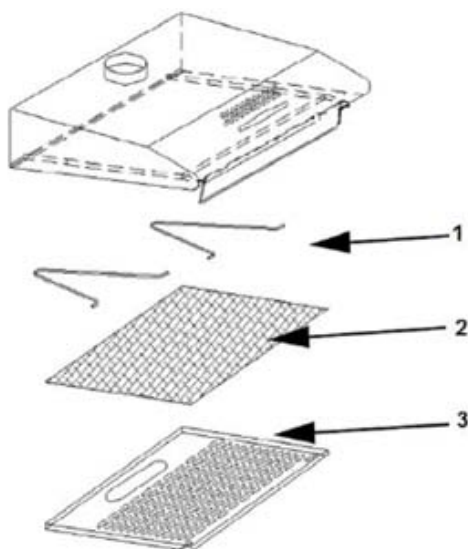
## INSTALACE MŘÍ KOVÝCH TUKOVÝCH FILTRŮ

- Instalace filtrů se provádí ve čtyřech krocích.
  - Vložte filtr šikmo do drážek v zadní části digestoře.
  - Stiskněte tlačítko na držadle filtru.
  - Když filtr zapadne na své místo, uvolněte držadlo.
  - Opakujte instalaci pro všechny filtry.

## UHLÍKOVÝ FILTR

Filtr z aktivního uhlí se používá pro zachycení pachů. Normálně by měl být tento filtr měněn za tři až šest měsíců, v závislosti na způsobu vaření. Postup instalace filtru z aktivního uhlí je popsán dále.

1. Odstraňte tukový filtr.
2. Položte filtr z aktivního uhlí na tukový filtr.
3. Upevněte řádně uložený uhlíkový filtr malým ocelovým drátem.
4. Namontujte zpět tukový filtr.
5. Uhlíkové filtry používejte pouze v režimu recirkulace.



1 Ocelová vzpěra


2 Uhlíkový filtr

3 Tukový filtr

### POZNÁMKA:

- Zkontrolujte, že je filtr správně usazen. Jinak se uvolní, což může být nebezpečné.
- Po připojení filtru z aktivního uhlí se síla sání sníží.

### VÝMĚNA ŽÁROVKY

<p>Důležité:</p> 	<ul style="list-style-type: none"> <li>✧ Žárovku musí vyměnit výrobce, jeho servisní zástupce nebo podobná kvalifikovaná osoba.</li> <li>✧ Před jakoukoliv údržbou spotřebiče vždy vypněte napájení elektrickým proudem. Před tím, než se žárovky dotknete, zkontrolujte, že je zcela vychladlá.</li> <li>✧ Při manipulaci se žárovkou ji držte hadrem nebo pracujte v rukavicích, aby se na žárovku nedostal pot, který by zkrátil životnost žárovky.</li> </ul>
--	---

#### Výměna žárovky:

\*Před výměnou žárovky zkontrolujte, že je spotřebič odpojen od napájení.

\*Šroubovákem povolte samořezné šrouby ST4\*8MM (2 kusy) z panelu světla a vytáhněte objímku žárovky. Otevřete skříňku se svorkami, které připojují vodič, odpojte konektor vodiče a vyměňte žárovku.

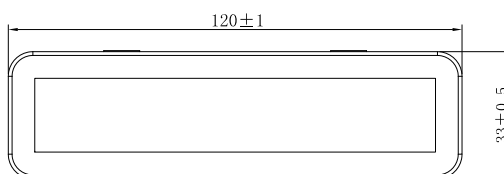
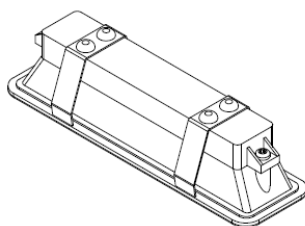
• ILCOS D kód pro toto světlo je: **DBS-2/65-H-120/33**

– LED moduly – světla


– Max. příkon: 2 W

– Napětí: AC 110–240 V

– Rozměry:



## **OCHRANA ŽIVOTNÍHO PROSTŘEDÍ**

	<p>Tento produkt je označen symbolem pro tříděný odpad elektronického vybavení. To znamená, že se tento produkt nesmí likvidovat spolu s komunálním odpadem, ale musí být odevzdán do sběrného dvora v souladu se směrnicí 2012/19/EU. Produkt bude poté recyklován nebo rozebrán, aby se minimalizoval dopad na životní prostředí. Elektrické a elektronické produkty mohou být nebezpečné pro životní prostředí a lidské zdraví, protože obsahují nebezpečné látky. Více informací zjistíte u vašich místních nebo oblastních úřadů.</p>
---	--

### **POZNÁMKA:**

Níže je uvedeno, jak je možné omezit celkový dopad na životní prostředí (např. úsporou energie při vaření).

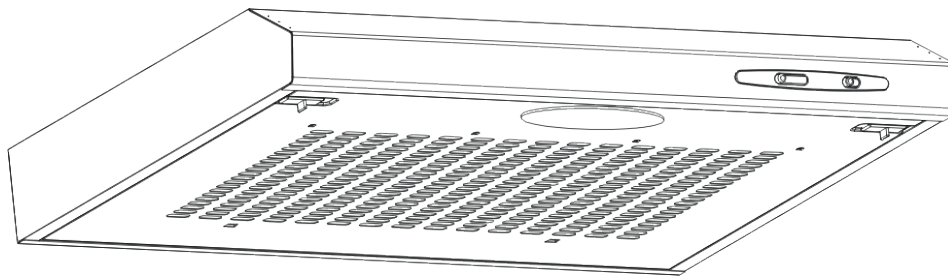
- (1) Namontujte digestoř do správného místa s dobrým větráním.
- (2) Pravidelně digestoř čistěte, aby nebylo blokováno proudění vzduchu.
- (3) Nezapomeňte po vaření vypnout světlo digestoře.
- (4) Nezapomeňte po vaření vypnout digestoř.

## **INFORMACE PRO ROZEBRÁNÍ**

Nerozebírejte spotřebič jiným způsobem, než je uvedeno v návodu. Digestoř nesmí rozebírat uživatel. Na konci životnosti nesmí být spotřebič likvidován společně s komunálním odpadem. Pokyny pro likvidaci získáte u místních úřadů nebo prodejce.

# Abzugshaube

## Bedienungshandbuch



# Inhalt

1 .....	Sicherheitshinweise
2 .....	Installation
3 .....	Inbetriebnahme der Abzugshaube
4 .....	Fehlerbehebung
5 .....	Wartung und Reinigung
6 .....	Umweltschutz

## **SICHERHEITSHINWEISE**

Dieses Handbuch beschreibt die ordnungsgemäße Installation und die Verwendung der Dunstabzugshaube. Lesen Sie die Bedienungsanleitung daher sorgfältig durch, auch wenn Sie das Produkt bereits kennen. Das Handbuch sollte für zukünftige Nachschlagezwecke gut aufbewahrt werden.

Was Sie auf keinen Fall tun sollten:

- Lassen Sie die Abzugshaube nicht ohne Fettfilter oder wenn diese übermäßig fettig sind laufen.
- Nicht über einem Herd mit hochgelagertem Grill aufhängen.
- Bratpfannen mit heißem Fett nicht unbeaufsichtigt lassen, weil dieses Feuer fangen könnte.
- Kein offenes Feuer unter der Abzugshaubeentzünden.



- Abzugshaube außer Betrieb nehmen, wenn sie beschädigt ist.
- Keine Gerichte unter der Abzugshaube flambieren.
- **ACHTUNG:** Es kann sein, dass bestimmte Teile der Abzugshaube beim Kochen heiß werden.
- Mindestabstand zwischen Kochfeld und Unterteil der Abzugshaube einhalten. (Wird die Abzugshaube über einem Gasherd angebracht, sollte der Abstand mindestens 65 cm betragen.)
- Die Abluft sollte nicht in einen Rauchfang geleitet werden, der auch für die Abgase einer Gas- oder Ölheizung verwendet wird.



Was Sie immer tun sollten:

- **Wichtig!** Trennen Sie das Gerät vor der Installation und Wartung (Austausch einer Glühbirne) immer von der Stromversorgung.
- Die Abzugshaube muss gemäß der Installationsanleitung aufgehängt und alle Maße müssen eingehalten werden.
- Sämtliche Installationsarbeiten müssen durch einen Fachmann oder qualifizierten Elektriker vorgenommen werden.
- Verpackungsmaterial ordentlich entsorgen. Es kann für Kinder gefährlich werden.
- Bei der Installation und Reinigung auf scharfe Kanten im Inneren der Abzugshaube achten.
- Wird die Abzugshaube über einem Gasherd angebracht, muss der Mindestabstand zwischen Kochtöpfen und Unterteil der Abzugshaube wie folgt sein:

Gasherd:	75 cm
Elektroherd:	65 cm
Mit Kohle oder Öl befeuerte Herde:	75 cm
- Darauf achten, dass der Abluftkanal keine Knicke hat, die 90 Grad überschreiten, da dies die Effizienz der Abzugshaube reduziert.
- **Warnung:** Werden Schrauben nicht richtig festgezogen oder wird das Gerät nicht gemäß dieser Anleitung eingebaut, können Gefahren durch elektrischen Strom entstehen.

## Was Sie immer tun sollten:

- Töpfe und Pfannen beim Kochen auf einem Gasherd immer mit einem Deckel schließen.
- Ist die Abzugshaube eingeschaltet, wird die Raumluft abgesaugt. Achten Sie darauf, dass für eine ausreichende Belüftung gesorgt ist. Die Abzugshaube saugt Gerüche ab, aber keinen Wasserdampf.
- Die Abzugshaube ist ausschließlich für den Hausgebrauch bestimmt.



- Falls das Netzkabel beschädigt ist, wenden Sie sich bitte an den Hersteller, seinen Kundendienst oder ähnlich qualifizierte Personen, um es zu ersetzen und eine Gefährdung zu vermeiden.
- Dieses Gerät kann von Kindern ab 8 Jahren und Personen mit eingeschränkten körperlichen, sensorischen oder geistigen Fähigkeiten oder mangelnder Erfahrung und mangelndem Wissen benutzt werden, wenn diese in die sichere Bedienung des Geräts eingewiesen wurden oder beaufsichtigt werden. Kinder dürfen nicht mit dem Gerät spielen. Reinigung und Pflege darf nicht von Kindern ohne Aufsicht erfolgen.



- **Warnung:** Bevor mögliche Anschlüsse zugänglich werden, müssen sämtliche Stromzuführleitungen getrennt werden.

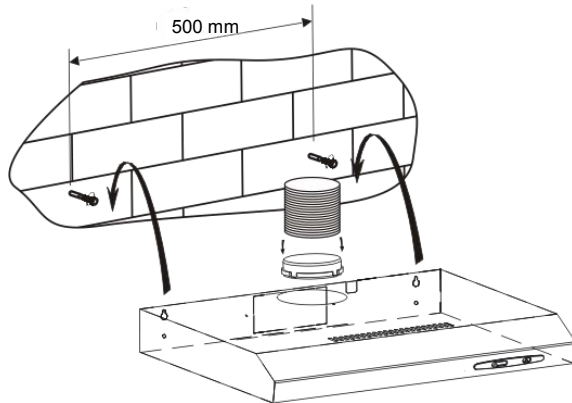
## Was Sie immer tun sollten:

- **Achtung:** Das Gerät und zugängliche Teile können während des Betriebs heiß werden. Seien Sie daher vorsichtig, wenn Sie diese Teile berühren müssen. Kinder unter acht Jahren sollten vom Gerät ferngehalten werden, es sei denn, sie werden permanent beaufsichtigt.
- Für ausreichende Belüftung sorgen, wenn die Abzugshaube zusammen mit Geräten betrieben wird, die Gas oder Benzin verbrennen.
- Es besteht ein Brandrisiko, wenn die Reinigung nicht entsprechend dieser Anweisungen durchgeführt wird.
- Vorschriften zur Abluft müssen befolgt werden.
- Reinigen Sie das Gerät regelmäßig entsprechend der Anweisungen im Kapitel WARTUNG.
- Verwenden Sie aus Sicherheitsgründen für die Montage nur Schrauben in der Größe, die in diesem Handbuch empfohlen wird.
- Eine detaillierte Anweisung zur Reinigung und deren Häufigkeit finden Sie im Abschnitt „Wartung und Reinigung“ im Bedienungshandbuch.
- Die Reinigung und Wartung des Gerätes darf von Kindern nicht ohne Aufsicht durchgeführt werden.
- Wird die Abzugshaube zusammen mit Geräten betrieben, die nicht durch Strom, sondern durch andere Energiequellen versorgt werden, darf der Unterdruck im Raum 4 Pa (4 x 10<sup>-5</sup> bar) nicht übersteigen.
- **WARNUNG:** Feuergefahr: Keine Gegenstände auf Kochfeldern ablegen.
- Keinen Dampfreiniger verwenden.
- Löschen Sie ein Feuer NIEMALS mit Wasser, sondern schalten Sie das Gerät aus und decken die Flammen dann ab, z. B. mit einem Deckel oder einer Löschdecke.

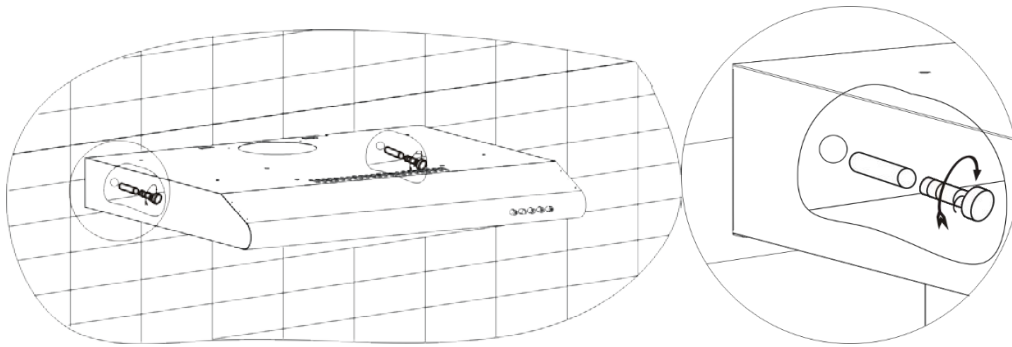
# **INSTALLATION**

## **A. INSTALLATION (Wandmontage)**

- (1) Markieren Sie die Bohrlöcher für die Aufhängung der Abzugshaube.
- (2) Befestigen Sie die Abzugshaube mit vier Schrauben (4x 30 mm) an der Wand.

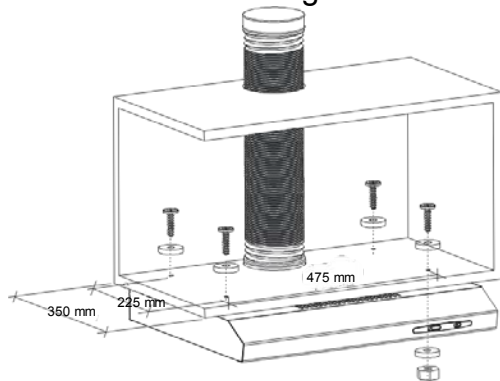


60 cm Abzugshaube



## **B. INSTALLATION (Gehäusemontage)**

- (1) Montieren Sie die Abzugshaube mit vier Schrauben (4x35 mm), vier Muttern und Unterlegscheiben. Befestigen Sie die Abzugshaube im Gehäuse, indem Sie die vier Schrauben mit den vier Unterlegscheiben oben durch das Gehäuse und durch die Abzugshaube stecken. Befestigen Sie die Schrauben dann im Inneren der Abzugshaube mit Unterlegscheiben und Muttern.



60 cm Abzugshaube



Hinweis: Es gibt zwei Belüftungsmethoden in horizontaler oder vertikaler Ausrichtung. Berücksichtigen Sie die Belüftungsausrichtung bei der Installation.

Horizontale Belüftung: Siehe Abb. 4A, bitte verschließen Sie den Auslass auf der Oberfläche, sodass die Luft über die Hinterseite abgesaugt werden kann.

Vertikale Belüftung: Siehe Abb. 4B, bitte verschließen Sie den Auslass auf der Rückseite, sodass die Luft über die Oberseite abgesaugt werden kann.

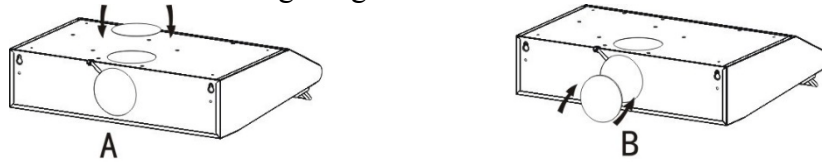


ABB 4.

### **Einstellen der Luftzirkulation**

Luftzirkulation nach draußen: Stellen Sie den Regler auf Außenzirkulation (Abb.5A) und installieren Sie den Abluftkanal. Schalten Sie die Abzugshaube ein und die Luft wird nach draußen geleitet.

Luftzirkulation nach innen: Stellen Sie den Regler auf Innenzirkulation (Abb.5B) und setzen Sie den Deckel auf den Abluftkanal nach außen. Schalten Sie die Abzugshaube ein und die Luft wird nach innen geleitet.

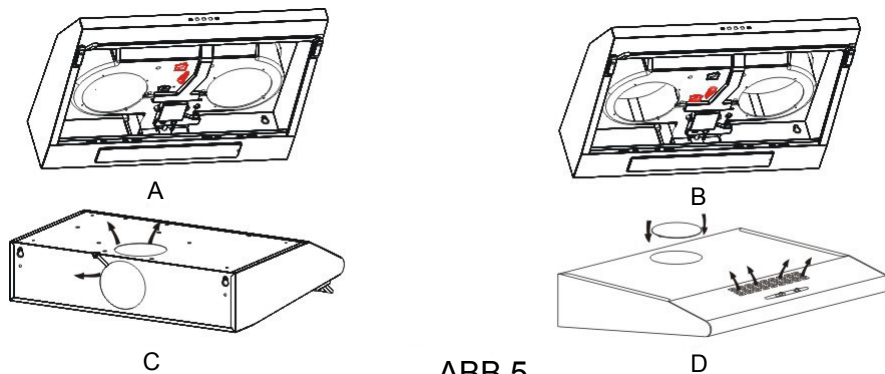



ABB 5.

<p><b>WARNUNG:</b></p> 	<ul style="list-style-type: none"> <li>➤ Verwenden Sie aus Sicherheitsgründen für die Montage nur Schrauben in der Größe, die in diesem Handbuch empfohlen wird.</li> <li>➤ Werden Schrauben nicht richtig festgezogen oder wird das Gerät nicht gemäß dieser Anleitung eingebaut, können Gefahren durch elektrischen Strom entstehen.</li> </ul>
--	---

## Inbetriebnahme der Abzugshaube

### **Wechselschalter**

Es gibt einen Schalter für die drei Lüftergeschwindigkeiten und einen zum Ein- und Ausschalten der Lampe.

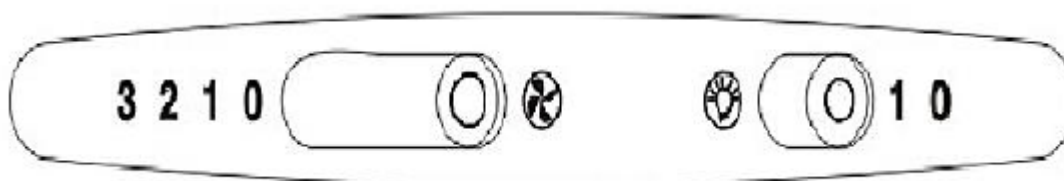
Abzugshaube über den Wechselschalter einschalten.

Lüftergeschwindigkeit

- 0- aus
- 1- Lüftergeschwindigkeit niedrig
- 2- Lüftergeschwindigkeit mittel
- 3- Lüftergeschwindigkeit hoch

Licht Ein/Aus

- 0- aus
- 1- an



## FEHLERBEHEBUNG

FEHLER	Mögliche Ursachen	Lösung
Licht an, aber Motor läuft nicht.	Ventilator ist ausgeschaltet.	Lüftergeschwindigkeit auswählen.
	Lüfterschalter ist kaputt.	Kundendienstzentrum kontaktieren.
	Motor läuft nicht.	Kundendienstzentrum kontaktieren.
Licht und Motor funktionieren nicht.	Stromsicherung ist durchgebrannt.	Sicherungen wieder einschalten/austauschen.
	Stromkabel ist lose oder nicht angeschlossen.	Kabel wieder in die Steckdose stecken. Stromversorgung einschalten.
Es tritt Öl aus.	Rückschlagventil und Auslass sind nicht dicht.	Rückschlagventil abnehmen und mit Dichtmaterial abdichten.

	Verbindung zwischen Abzug und Abzugshaube ist undicht.	Abzug abnehmen und abdichten.
Licht funktioniert nicht.	Kaputte/fehlerhafte Glühbirnen	Glühbirnen gemäß dieser Anweisung austauschen.
Absaugen nicht stark genug.	Abstand zwischen Abzugshaube und Kochfeld ist zu groß.	Abzugshaube erneut mit dem richtigen Abstand anbringen.
Abzugshaube hängt herunter.	Befestigungsschraube ist nicht fest.	Schraube anziehen, sodass die Abzugshaube wieder gerade hängt.

### **HINWEIS:**



Alle elektrischen Reparaturen dieses Geräts müssen der geltenden regionalen und bundesweiten Gesetzgebung entsprechen. Wenn Sie Zweifel haben, kontaktieren Sie den Kundendienst, bevor sie die oben stehenden Maßnahmen durchführen. Gerät immer zuerst von der Stromversorgung trennen, bevor das Gehäuse geöffnet wird.

## **WARTUNG UND REINIGUNG**

### **Vorsicht:**

- Vor der Wartung oder Reinigung die Abzugshaube von der Stromversorgung trennen. Überprüfen Sie, ob die Abzugshaube ausgeschaltet ist und ob der Stecker aus der Steckdose gezogen ist.
- Da die äußeren Oberflächen empfindlich für Kratzer sind, befolgen Sie diese Reinigungshinweise für ein optimales Ergebnis ohne Beschädigungen.



## **ALLGEMEINES**

Die Reinigung und Wartung sollte erfolgen, wenn das Gerät abgekühlt ist. Keine Alkali- oder säurehaltigen Mittel (Zitronensaft, Essig usw.) auf der Oberfläche hinterlassen.

## **EDELSTAHL**

Die Oberfläche aus Edelstahl muss regelmäßig (z. B. wöchentlich) gereinigt werden, damit sie lange hält. Mit einem weichen Tuch abtrocknen. Es kann ein spezieller Edelstahlreiniger verwendet werden.

### **HINWEIS:**

Wischen Sie immer in der Richtung der Körnung des Edelstahls, sodass keine unschönen Kratzmuster entstehen.

## **OBERFLÄCHE DES BEDIENFELDS**

Das eingelassene Bedienfeld kann mit warmem Seifenwasser gereinigt werden. Das saubere Tuch vor dem Reinigen gut ausdrücken. Restliche Feuchtigkeit mit einem weichen trockenen Tuch abreiben.

## **Wichtig**

Verwenden Sie neutrale Reinigungsmittel und keine aggressiven Chemikalien oder

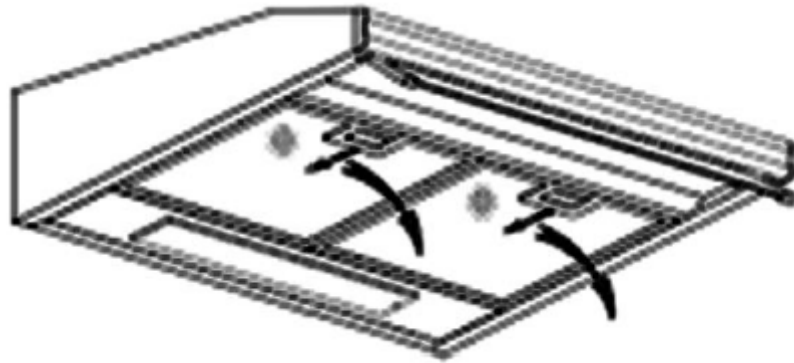
Scheuermittel, da diese das Aussehen des Geräts verändern und Aufdrucke entfernen können. Außerdem verfällt dadurch die Garantie des Herstellers.

## FETTFILTER

Die Filter können von Hand gereinigt werden. Filter in Wasser mit fettlösendem Reiniger eintauchen und zirka drei Minuten lang wirken lassen. Dann vorsichtig mit einer weichen Bürste abbürsten. Nicht zu viel Druck ausüben, da dies die Filter beschädigen kann. (An der Luft, nicht in direktem Sonnenlicht, trocknen lassen.)

Filter sollten getrennt von anderen Küchenutensilien gereinigt werden. Eine Verwendung von Klarspüler wird nicht empfohlen.

- Filter wie in der Abbildung unten gezeigt herausnehmen.
- Keine scheuernden Reinigungsmittel verwenden, da diese die Abzugshaube beschädigen.



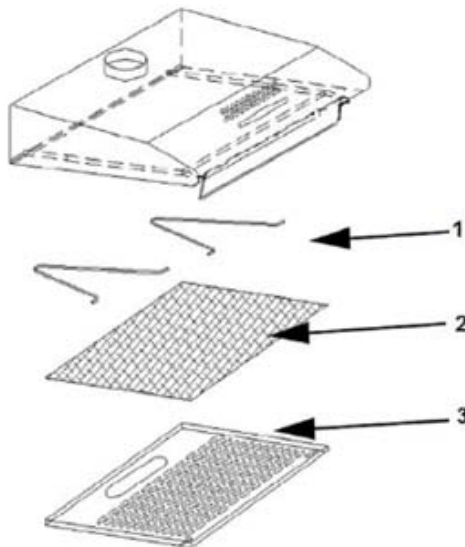
## EINSETZEN DER FETTFILTER

- So setzen Sie die Filter in vier Schritten ein:
  - Setzen Sie die Filter in die Schlitze an der Rückseite der Abzugshaube ein.
  - Drücken Sie auf den Knopf am Filtergriff.
  - Lassen Sie den Griff los, sobald sich der Filter in der richtigen Position befindet.
  - Setzen Sie alle Filter auf diese Weise ein.

## KOHLEFILTER

Aktivkohlefilter schließen unangenehme Gerüche ein. Normalerweise sollte ein Aktivkohlefilter entsprechend der Kochgewohnheiten alle drei bis sechs Monate gewechselt werden. Den Aktivkohlefilter wie folgt einsetzen:

1. Fettfilter herausnehmen.
2. Aktivkohlefilter auf den Fettfilter legen.
3. Den passend zugeschnittenen Aktivkohlefilter mit dem kleinen Stahldraht befestigen.
4. Fettfilter wieder einsetzen.
5. Kohlefilter nur bei der Umluftmethode verwenden.



1 Befestigungsdraht


2 Kohlefilter

3 Fettfilter

### HINWEIS:

- Prüfen Sie, ob der Filter sicher verankert ist. Anderenfalls kann er herausfallen und gefährliche Unfälle verursachen.
- Bei Verwendung eines Aktivkohlefilters wird die Absaugkraft herabgesetzt.

## AUSTAUSCH DER LEUCHTMITTEL

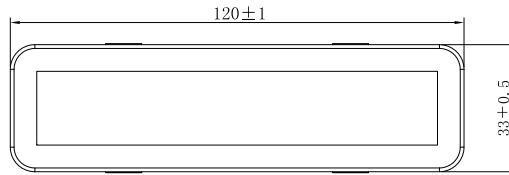
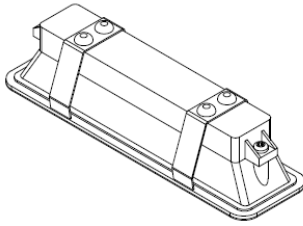
<p><b>Wichtig:</b></p> 	<ul style="list-style-type: none"> <li>✧ Die Lampe muss durch den Hersteller, seinen Kundendienstmitarbeiter oder einen ähnlich qualifizierten Fachmann ausgetauscht werden.</li> <li>✧ Gerät immer von der Stromversorgung trennen, bevor Reinigungs-, Wartungs- oder Reparaturarbeiten am Gerät durchgeführt werden. Leuchtmittel vor dem Entfernen vollständig abkühlen lassen, bevor sie angefasst wird.</li> <li>✧ Leuchtmittel mit einem Tuch oder mit Handschuhen wechseln, damit keine Schweißdampe in Berührung kommt. Dies kann die Lebensdauer der Lampe verkürzen.</li> </ul>
--	---

### Austausch der Leuchtmittel:

\*Vergewissern Sie sich vor dem Austausch der Leuchtmittel, ob das Gerät von der Stromversorgung getrennt wurde.

\*Die zwei Blechschrauben (ST4\*8MM) aus der Beleuchtungsabdeckung herausdrehen und Abdeckung abnehmen. Öffnen Sie das Kästchen, das mit dem Stromkabel verbunden ist, trennen Sie die Verbindung und tauschen Sie die Lampe aus.

- **ILCOS D Bezeichnung für diese Lampe lautet: DBS-2/65-H-120/33**
- LED-Module – rechteckige Lampe
- Max Wattzahl: 2 W
- Spannungsbereich: AC 110-240V
- Maße:



## **UMWELTSCHUTZ:**

	<p>Dieses Produkt ist mit diesem Symbol gekennzeichnet, was bedeutet, dass es nicht mit gewöhnlichem Haushaltsabfall entsorgt werden darf. Statt dessen muss es im Einklang mit der EU-Richtlinie 2012/19/EU über eine Sammelstelle für Elektroabfall entsorgt werden. Es wird dann recycelt oder auseinandergebaut, um die Schäden so gering wie möglich zu halten, die elektrische Geräte bedingt durch enthaltene Schadstoffe normalerweise für Umwelt und menschliche Gesundheit bedeuten. Weitere Informationen erhalten Sie bei Ihrer örtlichen Behörde.</p>
--	--

### **HINWEIS:**

Im Folgenden wird erläutert, wie die Umwelt durch den Kochvorgang möglichst wenig belastet wird (z. B. Energieverbrauch).

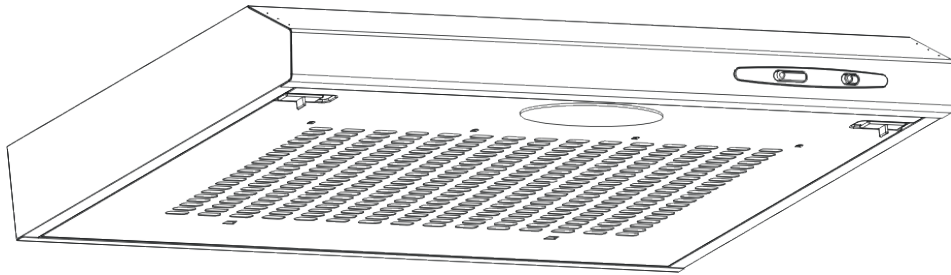
- (1) Die Abzugshaube an einem gut belüfteten Ort installieren.
- (2) Abzugshaube regelmäßig reinigen, sodass die Lüftung nicht blockiert wird.
- (3) Das Licht an der Abzugshaube nach dem Kochen immer ausschalten.
- (4) Abzugshaube nach dem Kochen immer ausschalten.

## **INFORMATIONEN FÜR EINE DEMONTAGE**

Das Gerät nur wie in der Benutzeranleitung beschrieben öffnen oder aufschrauben. Der Verbraucher sollte das Gerät nicht vollständig in seine Einzelteile zerlegen. Am Ende seiner Lebensdauer das Gerät nicht mit dem Hausmüll entsorgen. Informieren Sie sich bei der örtlichen Behörde oder beim Abfallentsorger, wie Ihr Gerät entsorgt werden muss.

# Campana extractora

## Manual de instrucciones



# Índice

1 .....	Instrucciones de seguridad
2 .....	Instalación
3 .....	Empezar a usar la campana extractora
4 .....	Solución de problemas
5 .....	Mantenimiento y limpieza
6 .....	Protección del medio ambiente



## **INSTRUCCIONES DE SEGURIDAD**

Este manual explica la instalación y el uso adecuados de su campana extractora. Léalo atentamente antes de usarla, incluso si está familiarizado con el producto. El manual debe guardarse en un lugar seguro para futuras consultas.

### Lo que nunca debe hacer:

- ¡No use la campana extractora sin los filtros de grasa o si los filtros están excesivamente grasientos!
- No la instale encima de una cocina con una parrilla de alto nivel.
- No deje las sartenes desatendidas durante el uso porque las grasas o aceites sobrecalentados pueden prenderse en llamas.
- Nunca deje llamas abiertas debajo de la campana extractora.



- No intente usar la campana extractora si está dañada.
- No flambee debajo de la campana extractora.
- **PRECAUCIÓN:** Las partes accesibles pueden calentarse cuando se usan con aparatos de cocina.
- La distancia mínima entre la superficie de soporte para los utensilios de cocción en el fogón y la parte más baja de la campana extractora. (Cuando la campana se encuentra encima de una cocina de gas, esta distancia debe ser de al menos 65 cm).
- El aire no debe extraerse en conductos usados para expulsar humos de aparatos que queman gas u otros combustibles.



### Lo que siempre debe hacer:

- ¡Importante! Apague siempre el suministro de la red eléctrica durante la instalación y las actividades de mantenimiento, como cambiar una bombilla.
- La campana extractora debe instalarse de acuerdo con las instrucciones de instalación y todas las medidas seguidas.
- Todos los trabajos de instalación deben ser realizados por una persona competente o un electricista cualificado.
- Deseche el material de embalaje cuidadosamente. Los niños son vulnerables a este.
- Preste atención a los bordes afilados dentro de la campana extractora, especialmente durante la instalación y la limpieza.
- Cuando la campana extractora se encuentra encima de una cocina de gas, la distancia mínima entre la superficie de soporte para los utensilios de cocción en el fogón y la parte más baja de la campana debe ser:  
Cocinas de gas: 75 cm  
Cocinas eléctricas: 65 cm  
Cocinas de carbón o aceite: 75 cm
- Asegúrese de que los conductos no tengan dobleces superiores a 90 grados, ya que esto reducirá la eficiencia de la campana extractora.
- Advertencia: Si los tornillos o el dispositivo de fijación no se instalan de acuerdo con estas instrucciones, pueden producirse riesgos eléctricos.

## Lo que siempre debe hacer:

- Coloque siempre tapas en ollas y sartenes cuando cocine en una cocina de gas.
- Cuando se encuentre en el modo de extracción, la campana extractora estará extrayendo el aire de la habitación. Asegúrese de que se estén observando las medidas de ventilación adecuadas. La campana extractora elimina los olores de la habitación, pero no el vapor.
- La campana extractora es solo para uso doméstico.



- Si el cable de alimentación presenta daños, debe ser sustituido por el fabricante, por un técnico cualificado o por cualquier persona autorizada para evitar cualquier peligro.
- Este electrodoméstico puede ser utilizado por niños a partir de 8 años y por personas con capacidades físicas, sensoriales o mentales reducidas, o sin experiencia o conocimientos previos, siempre y cuando previamente hayan recibido la supervisión y las instrucciones necesarias para utilizar el aparato de forma segura y comprendan los riesgos que implica. Los niños no deben jugar con este electrodoméstico. Las operaciones de limpieza y mantenimiento no deben ser realizadas por niños sin supervisión.



- Advertencia: Antes de obtener acceso a los terminales, todos los circuitos de suministro deben estar desconectados.

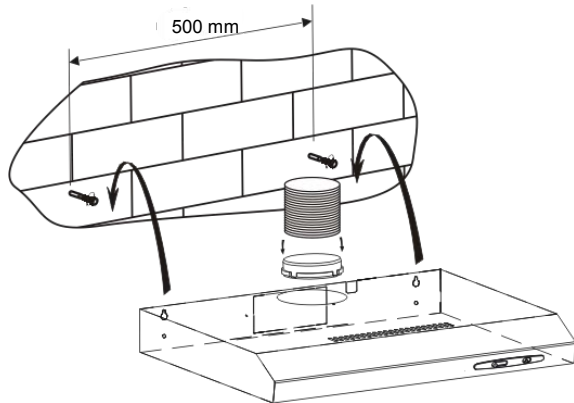
## Lo que siempre debe hacer:

- Precaución: El electrodoméstico y sus accesorios se pueden calentar durante el uso. Trate de evitar tocar los elementos de calentamiento. Los niños menores de 8 años deben mantenerse alejados a menos que estén bajo supervisión permanente.
- La habitación debe estar adecuadamente ventilada cuando la campana extractora se usa al mismo tiempo que electrodomésticos que quemen gas u otros combustibles.
- Existe un riesgo de incendio si la limpieza no se lleva a cabo de acuerdo con las instrucciones.
- Deben cumplirse las normativas relativas a la extracción de aire.
- Limpie su electrodoméstico periódicamente siguiendo el método indicado en el capítulo MANTENIMIENTO.
- Por razones de seguridad, use solo tornillos de fijación o montaje del tamaño recomendado en este manual de instrucciones.
- En cuanto a los detalles sobre el método y la frecuencia de limpieza, consulte la sección de mantenimiento y limpieza en el manual de instrucciones.
- Las operaciones de limpieza y mantenimiento no deben ser realizadas por niños sin supervisión.
- Cuando la campana extractora y los electrodomésticos que funcionan con energía que no sea electricidad están funcionando simultáneamente, la presión negativa en la habitación no debe superar los 4 Pa ( $4 \times 10^{-5}$  bar).
- ADVERTENCIA: Peligro de incendio: no almacene artículos sobre las superficies de cocción.
- No utilice un limpiador a vapor.
- NUNCA intente apagar un incendio con agua; debe apagar el aparato y cubrir posteriormente la llama, p. ej., con una tapa o una manta contra incendios.

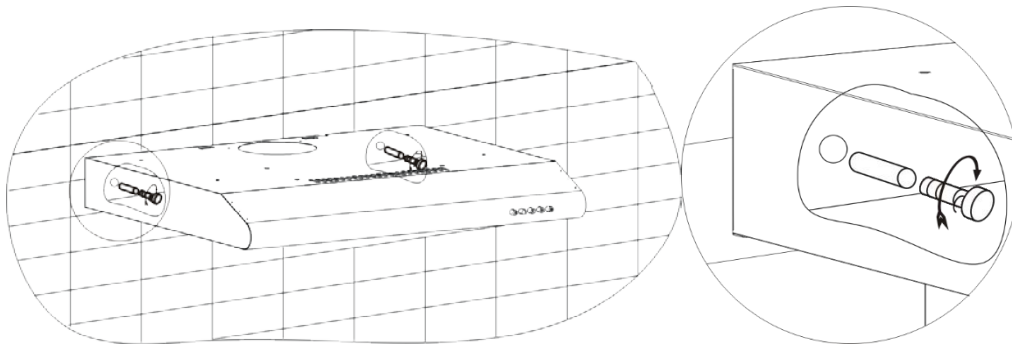
# **INSTALACIÓN**

## **A. INSTALACIÓN (Montaje en pared)**

- (1) Decida la ubicación de los agujeros para fijar la campana extractora.
- (2) Monte la campana extractora en la pared con 4 tornillos (4 x 30mm).

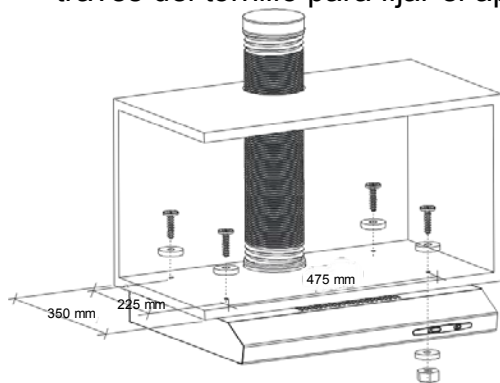


Campana extractora de 60 cm



## **B. INSTALACIÓN (Montaje en armario)**

- (1) Monte la campana extractora en el armario con 4 tornillos (4 x 35mm), 4 tuercas y arandelas planas. Fije la campana en el armario pasando 4 tornillos y 4 arandelas planas desde la parte superior del armario a la campana extractora. Luego, dentro de la campana extractora, pase la arandela plana y la tuerca a través del tornillo para fijar el aparato en el armario.



Campana extractora de 60 cm

Aviso: Hay 2 métodos de ventilación, que incluyen "ventilación horizontal" y "ventilación vertical". Preste atención al método de ventilación durante la instalación.

Ventilación horizontal: Vea la Figura 4A, use la tapa para sellar la salida en la parte superior, luego el aire puede ser ventilado desde atrás.

Ventilación vertical: Vea la Figura 4B, use la tapa para sellar la salida en la parte posterior, luego el aire puede ser ventilado desde arriba.



FIG 4

### Configuración de la ventilación de aire

Ventilación de aire exterior: Gire el ajustador a la posición exterior (fig. 5A), instale el canal de salida, encienda la campana extractora y, a continuación, el aire se ventilará por la salida exterior.

Ventilación de aire interior: Gire el ajustador a la posición interior (fig. 5B), instale la tapa de la salida, encienda la campana extractora y, a continuación, el aire se puede ventilar por la salida interior.

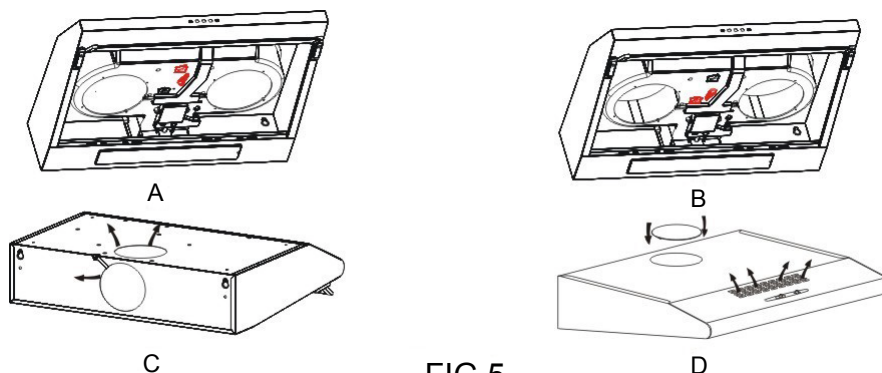


FIG 5

PRECAUCIÓN:



- Por razones de seguridad, use solo tornillos de fijación o montaje del tamaño recomendado en este manual de instrucciones.
- Si los tornillos o el dispositivo de fijación no se instalan de acuerdo con estas instrucciones, pueden producirse riesgos eléctricos.

### Empezar a usar la campana extractora

#### Conmutador

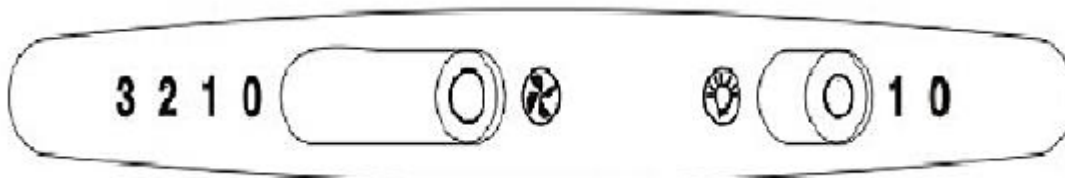
Hay 3 velocidades para el motor y un interruptor de encendido y apagado para la luz. Deslice el interruptor para su funcionamiento.

Funcionamiento del motor

- 0- Apagado
- 1- Configuración de potencia baja
- 2- Configuración de potencia media
- 3- Configuración de potencia alta

Funcionamiento de la luz

- 0- Apagado
- 1- Encendido



## **RESOLUCIÓN DE PROBLEMAS**

<b>Fallo</b>	<b>Causa posible</b>	<b>Solución</b>
La luz está encendida, pero el motor no funciona	Interruptor del ventilador apagado	Seleccione una posición para el interruptor del ventilador.
	Fallo del interruptor del ventilador	Póngase en contacto con el centro de asistencia técnica.
	Fallo del motor	Póngase en contacto con el centro de asistencia técnica.
La luz no funciona, el motor no funciona	Han saltado los fusibles de la casa	Restablezca/Reemplace los fusibles.
	Cable de alimentación suelto o desconectado	Vuelva a ajustar el cable a la toma de corriente. Encienda la toma de corriente.
Fuga de aceite	La válvula de una vía y la salida no están herméticamente selladas	Desmonte la válvula de una vía y selle con un sellador.
	Fuga en la conexión del tubo de salida y la cubierta	Desmonte el tubo de salida y séllelo.
Las luces no funcionan	Globos rotos/defectuosos	Sustituya los globos siguiendo estas instrucciones.
Succión insuficiente	La distancia entre la campana extractora y el gas está demasiado lejos	Vuelva a colocar la campana extractora a la distancia correcta.
La campana extractora se inclina	El tornillo de fijación no está lo suficientemente ajustado	Apriete el tornillo de suspensión y coloque la campana en posición horizontal.

### **NOTA:**



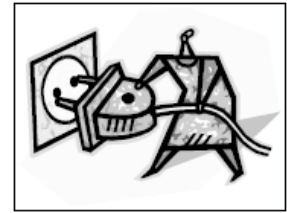
Cualquier reparación eléctrica de este electrodoméstico debe cumplir con las leyes locales, estatales y federales. Póngase en contacto con el centro de asistencia técnica si tiene alguna duda antes de realizar cualquiera de los pasos anteriores. Desconecte siempre la unidad de la fuente de alimentación cuando abra la

unidad.

## **MANTENIMIENTO Y LIMPIEZA**

### **Precaución:**

- Antes de llevar a cabo el mantenimiento o la limpieza, la campana extractora debe estar desconectada de la fuente de alimentación principal. Asegúrese de que la campana extractora esté desconectada de la toma de pared y que se haya retirado el enchufe.



- Las superficies externas son susceptibles a rasguños y abrasiones, por lo tanto, siga las instrucciones de limpieza para garantizar que se obtenga el mejor resultado posible sin daños.

### **GENERAL**

La limpieza y el mantenimiento se deben llevar a cabo con el aparato frío, especialmente durante la limpieza. Evite dejar sustancias alcalinas o ácidas (jugo de limón, vinagre, etc.) en las superficies.

### **ACERO INOXIDABLE**

El acero inoxidable debe limpiarse de forma regular (por ejemplo, semanalmente) para garantizar una larga vida útil. Séquelo con un paño suave y limpio. Se puede usar un detergente específico para acero inoxidable.

#### **NOTA:**

Asegúrese de que la limpieza se realice siguiendo la trama del acero inoxidable para evitar que aparezcan los antiestéticos patrones de rayado cruzado.

### **SUPERFICIE DEL PANEL DE CONTROL**

El panel de control incrustado se puede limpiar con agua tibia con jabón. Asegúrese de que el paño esté limpio y bien escurrido antes de limpiarlo. Use un paño suave y seco para eliminar el exceso de humedad que queda después de la limpieza.

### **Importante**

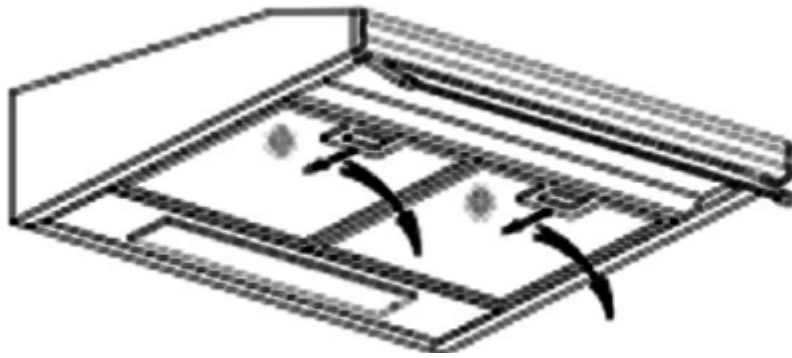
Use detergentes neutros y evite el uso de productos químicos de limpieza agresivos, detergentes domésticos fuertes o productos que contengan abrasivos, ya que esto afectará a la apariencia del electrodoméstico y posiblemente eliminará cualquier impresión estética en el panel de control y anulará la garantía del fabricante.

### **FILTROS DE MALLA PARA LA GRASA**

Los filtros se pueden limpiar a mano. Empápelos durante aproximadamente 3 minutos en agua con un detergente antigrasa y luego cepíllelos suavemente con un cepillo suave. No aplique demasiada presión, evite dañarlos. (Deje que se sequen de forma natural pero alejados de la luz directa del sol)

Los filtros deben lavarse separados de la vajilla y los utensilios de cocina. Se aconseja no utilizar agente enjuagante.

- Extraiga los filtros como se muestra en la imagen siguiente.
- No use un detergente abrasivo, ya que dañará la campana.



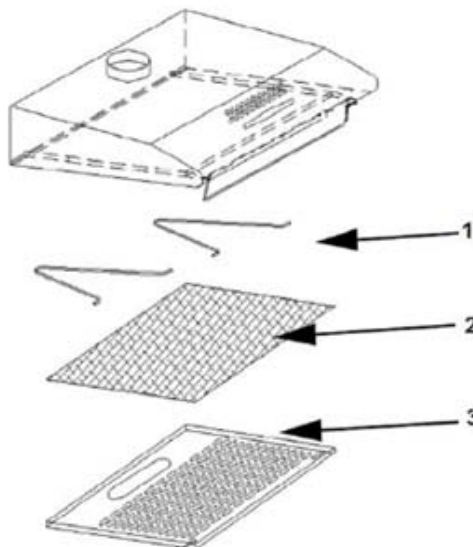
## INSTALACIÓN DE LOS FILTROS DE MALLA PARA LA GRASA

- Para instalar los filtros, siga los siguientes cuatro pasos.
- Posicione el filtro en las ranuras de la parte posterior de la campana.
- Presione el botón del agarre del filtro.
- Suelte el agarre una vez que el filtro se ajuste en una posición de descanso.
- Repita este proceso para instalar todos los filtros.

## FILTRO DE CARBONO

El filtro de carbono activado se puede usar para atrapar los olores. Normalmente, el filtro de carbono activado debe cambiarse a los tres o seis meses, según sus hábitos de cocina. El procedimiento de instalación del filtro de carbono activado es el siguiente.

1. Retire el filtro para la grasa.
2. Coloque el filtro de carbono sobre el filtro para la grasa.
3. Fije el filtro de carbono correctamente ajustado con el pequeño cable de acero.
4. Vuelva a instalar el filtro para la grasa.
5. Use filtros de carbono solo para el modo de recirculación.



1 Gancho de acero


2 Filtro de carbono

3 Filtro para la grasa

## NOTA:

- Asegúrese de que el filtro esté bloqueado de forma segura. De lo contrario, se aflojaría y causaría daños.
- Cuando el filtro de carbono activado esté conectado, la potencia de succión disminuirá.

## SUSTITUCIÓN DE LA BOMBILLA

<p>Importante:</p> 	<ul style="list-style-type: none"><li>✧ La bombilla debe cambiarla el fabricante, su agente de servicio o personas con una cualificación de manera similar.</li><li>✧ Apague siempre el suministro de electricidad antes de realizar cualquier operación en el aparato. Cuando manipule la bombilla, asegúrese de que esté completamente fría antes de cualquier contacto directo con las manos.</li><li>✧ Cuando manipule los globos, sosténgalos con un paño o guantes para asegurar que la transpiración no entre en contacto con el globo, ya que esto puede reducir la vida útil del globo.</li></ul>
--	--

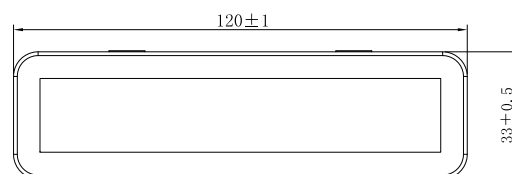
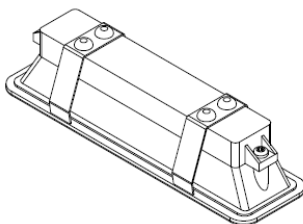
### Sustitución de las luces:

\* Antes de cambiar las luces, asegúrese de que el electrodoméstico esté desenchufado.


\* Utilice el destornillador para aflojar el tornillo autorroscante ST4\*8MM (2 un.) del panel de iluminación, saque el accesorio de iluminación. Abra la caja de terminales que se conectó con el cable, desconecte el conector del cable y cambie la lámpara.

• El código ILCOS D para esta lámpara es: DBS-2/65-H-120/33

- Módulos LED - lámpara rectangular
- Potencia máxima: 2 W
- Rango de voltaje: 110-240 V CA
- Tamaño:



## PROTECCIÓN DEL MEDIO AMBIENTE:

	<p>Este producto está marcado con el símbolo de la clasificación selectiva de equipos electrónicos de desecho. Esto significa que este producto no debe eliminarse con la basura doméstica, sino que debe desecharse mediante un sistema de recogida selectiva de acuerdo con la Directiva 2012/19/EU. Luego se reciclará o desmantelará para minimizar los impactos sobre el medio ambiente. Los productos eléctricos y electrónicos son potencialmente peligrosos para el medio ambiente y la salud humana debido a la presencia de sustancias peligrosas. Para obtener más información, póngase en contacto con las autoridades locales o regionales.</p>
---	--



**NOTA:**

A continuación se muestra cómo reducir el impacto ambiental total (por ejemplo, mediante el uso de energía) del proceso de cocción.

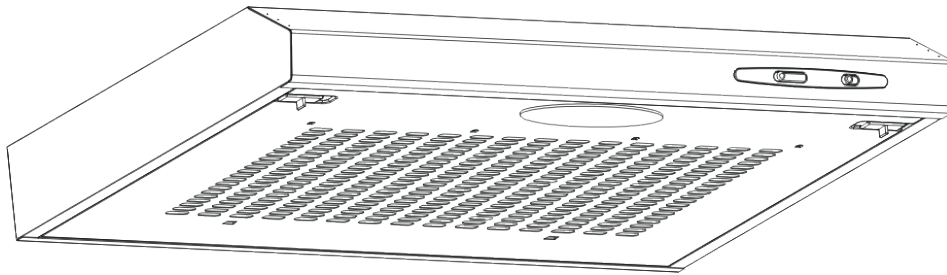
- (1) Instale la campana extractora en un lugar apropiado donde haya una ventilación eficiente.
- (2) Limpie la campana extractora regularmente para no bloquear las vías de salida del aire.
- (3) Recuerde apagar la luz de la campana extractora después de cocinar.
- (4) Recuerde apagar la campana extractora después de cocinar.

**INFORMACIÓN PARA EL DESMONTAJE**

No desmonte el aparato de manera diferente a la mostrada en el manual de instrucciones. El aparato no puede ser desmontado por el usuario. Al final de su vida útil, el electrodoméstico no se debe tirar con la basura doméstica. Consulte con su recolector de desechos o autoridad local para obtener consejos de reciclaje.

# Hotte aspirante

## Manuel d'instruction



## Sommaire

1 .....	Consignes de sécurité
2 .....	Installation
3 .....	Commencez à utiliser votre hotte aspirante
4 .....	Dépannage
5 .....	Entretien et nettoyage
6 .....	Protection de l'environnement

## CONSIGNES DE SÉCURITÉ

Ce manuel explique comment installer et utiliser correctement votre hotte aspirante. Veuillez le lire attentivement avant toute utilisation même si vous connaissez bien le produit. Le manuel doit être conservé en lieu sûr pour pouvoir le consulter en cas de besoin.

### À ne jamais faire :

- Ne tentez pas d'utiliser la hotte aspirante sans les filtres à graisse ou si les filtres sont excessivement encrassés !
- Ne l'installez jamais au-dessus d'une cuisinière avec un grill de haut niveau.
- Ne laissez pas les poêles à frire sans surveillance pendant leur utilisation car les huiles ou les graisses surchauffées pourraient prendre feu.
- Ne laissez jamais des flammes nues sous la hotte aspirante.



- Si la hotte aspirante est endommagée, n'essayez pas de l'utiliser.
- Ne flambez rien sous la hotte aspirante.
- ATTENTION : Les parties accessibles peuvent devenir chaudes lors de l'utilisation avec des appareils de cuisson.
- La distance minimale entre la surface de support pour les récipients de cuisson sur la plaque de cuisson et la partie la plus basse de la hotte aspirante. (Quand la hotte aspirante est située au-dessus d'une cuisinière à gaz, cette distance doit être d'au moins 65 cm)
- L'air ne doit pas être évacué dans un conduit utilisé pour les fumées provenant d'appareils de combustion à gaz ou fonctionnant avec d'autres carburants.



### À toujours faire :

- Important ! Coupez toujours l'alimentation électrique durant l'installation et l'entretien, comme par

exemple quand vous changez une ampoule.

- La hotte aspirante doit être installée conformément aux instructions d'installation et toutes les mesures doivent être respectées.
- Tout le travail d'installation doit être effectué par une personne compétente ou un électricien qualifié.
- Veuillez faire attention quand vous jetez l'emballage. Les enfants pourraient se blesser avec.
- Faites attention aux bords coupants à l'intérieur de la hotte aspirante durant l'installation et le nettoyage.
- Quand la hotte aspirante est située au-dessus d'une cuisinière, la distance minimale entre la surface de support pour les récipients de cuisson sur la plaque de cuisson et la partie la plus basse de la hotte aspirante doit être la suivante :

Cuisinières à gaz :	75 cm
Cuisinières électriques :	65 cm
Cuisinières à charbon ou à mazout :	75 cm
- Vérifiez que les coudes des conduits ne sont pas inférieurs à 90 degrés car cela réduirait l'efficacité de la hotte aspirante.
- Avertissement : Si les vis ou le dispositif de fixation ne sont pas installés conformément à ces instructions, cela peut provoquer des dangers électriques

## À toujours faire :

- Placez toujours le couvercle sur les casseroles et les poêles quand vous cuisinez sur une cuisinière à gaz.
- En mode extraction, l'air de la pièce est éliminé par la hotte aspirante. Vérifiez que des mesures de ventilation correctes sont adoptées. La hotte aspirante élimine les odeurs de la pièce mais pas la vapeur.
- La hotte aspirante est réservée à un usage domestique.



- Si le cordon d'alimentation est endommagé, faites-le remplacer par le fabricant, le service après-vente ou un électricien qualifié pour éviter tout risque d'accident.
- Cet appareil peut être utilisé par des enfants âgés de 8 ans et plus et par des personnes à capacités physiques, sensorielles ou intellectuelles réduites ou sans expérience et connaissances, s'ils sont sous une surveillance appropriée ou bien s'ils ont été informés quant à l'utilisation de l'appareil de manière sûre, et s'ils comprennent les risques impliqués. Les enfants ne doivent pas jouer avec l'appareil. Le nettoyage et l'entretien ne doivent pas être effectués par des enfants sans surveillance.



- Avertissement : Avant d'accéder aux bornes, il faut débrancher tous les circuits d'alimentation.

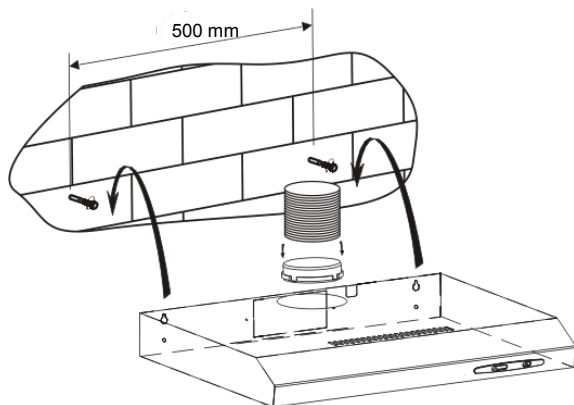
## À toujours faire :

- Attention : L'appareil et ses parties accessibles peuvent devenir chauds durant le fonctionnement. Évitez de toucher les éléments qui chauffent. Les enfants âgés de moins de 8 ans doivent rester à distance à moins d'être surveillés en permanence.
- Il faut disposer d'une ventilation appropriée dans la pièce où la hotte aspirante est utilisée en même temps que d'autres appareils brûlant du gaz ou d'autres carburants.
- Il existe un risque d'incendie si le nettoyage n'est pas effectué conformément aux instructions.
- Les réglementations relatives à l'évacuation de l'air doivent être respectées.
- Nettoyez régulièrement votre appareil en suivant la méthode fournie dans le chapitre ENTRETIEN.
- Pour des raisons de sécurité, veuillez n'utiliser que des vis de fixation ou de montage de la même taille que celle recommandée dans ce manuel d'instruction.
- En ce qui concerne les détails sur la méthode et la fréquence de nettoyage, veuillez vous reporter au paragraphe relatif à l'entretien et au nettoyage dans le manuel d'instruction.
- Le nettoyage et l'entretien ne doivent pas être effectués par des enfants sans surveillance.
- Quand la hotte aspirante et les appareils alimentés par autre chose que de l'électricité fonctionnent simultanément, la pression négative à l'intérieur de la pièce ne doit pas dépasser 4 Pa ( $4 \times 10^{-5}$  bar).
- **AVERTISSEMENT** : Risque d'incendie : ne rangez pas des objets sur les surfaces de cuisson.
- Il ne faut pas utiliser de nettoyeur vapeur.
- Ne tentez JAMAIS d'éteindre un incendie avec de l'eau, mais éteignez l'appareil puis couvrez la flamme par exemple avec un couvercle ou une couverture pare-flammes.

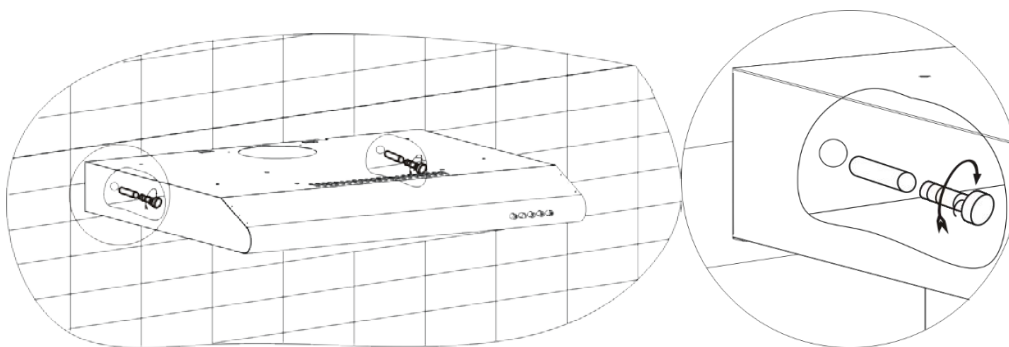
# **INSTALLATION**

## **A. INSTALLATION (murale)**

- (1) Choisissez l'emplacement des trous pour fixer la hotte aspirante.
- (2) Montez la hotte aspirante au mur avec les 4 vis (4x 30 mm)

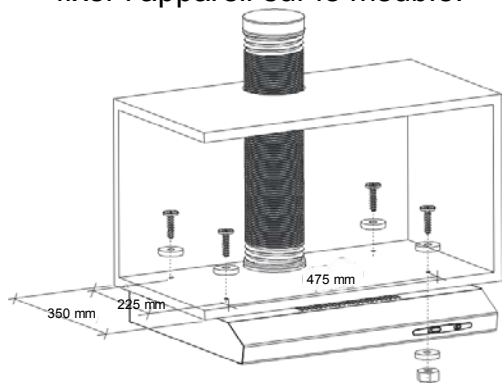


Hotte aspirante de 60 cm



## **B. INSTALLATION (sur un meuble)**

- (1) Montez la hotte aspirante sur le meuble avec les 4 vis (4x35 mm), 4 écrous et rondelles plates. Fixez la hotte sur le meuble en faisant passer les 4 vis et les 4 rondelles plates du dessus du meuble jusqu'à la hotte aspirante. Puis à l'intérieur de la hotte aspirante, passez la rondelle et l'écrou à travers la vis pour fixer l'appareil sur le meuble.



Hotte aspirante de 60 cm

Bruit : Il existe 2 méthodes pour la ventilation, à savoir la « ventilation horizontale » et la « ventilation verticale ». Veuillez faire attention à la méthode de ventilation au moment de l'installation.

Ventilation horizontale : Voir fig. 4A, veuillez utiliser le couvercle pour fermer la sortie sur le dessus, puis l'air peut être évacué par l'arrière.

Ventilation verticale : Voir fig. 4B, veuillez utiliser le couvercle pour bloquer la sortie à l'arrière, puis l'air peut être évacué par le dessus.

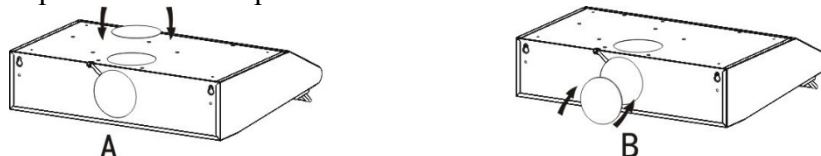


Fig. 4

### Réglage de la ventilation de l'air

Ventilation extérieure de l'air : Tournez le dispositif de réglage sur la position extérieure (fig. 5A), installez la sortie, allumez la hotte aspirante, l'air sera ensuite évacué par la sortie extérieure.

Ventilation intérieure de l'air : Tournez le dispositif de réglage sur la position intérieure (fig. 5B), installez le couvercle de la sortie, allumez la hotte aspirante, l'air peut alors être évacué par la sortie intérieure.

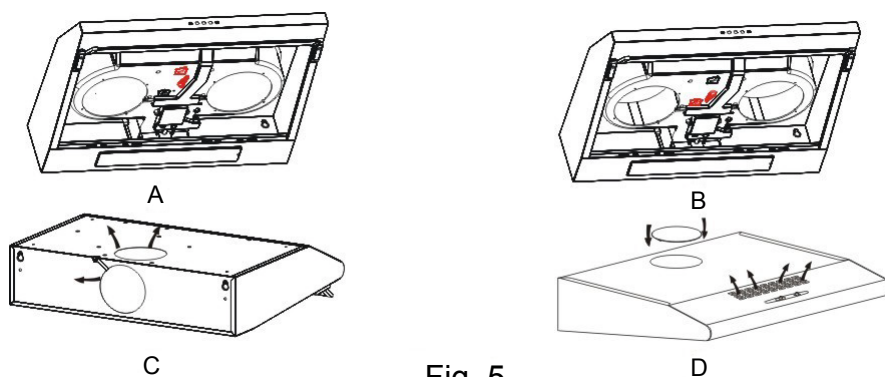



Fig. 5

<p>AVERTISSEMENT :</p> 	<ul style="list-style-type: none"><li>➤ Pour des raisons de sécurité, veuillez n'utiliser que des vis de fixation ou de montage de la même taille que celle recommandée dans ce manuel d'instruction.</li><li>➤ Si les vis ou le dispositif de fixation ne sont pas installés conformément à ces instructions, cela peut provoquer des dangers électriques.</li></ul>
--	---

### Commencez à utiliser votre hotte aspirante Interrupteur à bascule

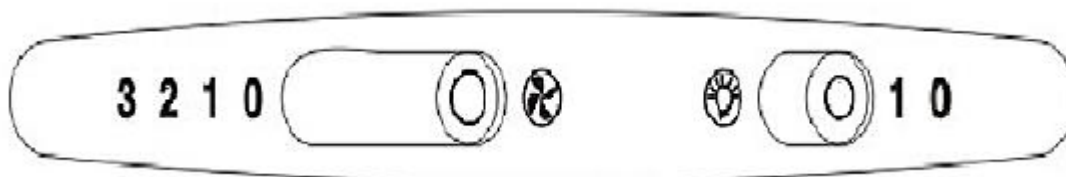
Il existe 3 vitesses pour le moteur et un interrupteur marche/arrêt pour l'éclairage.  
Faites coulisser l'interrupteur pour le faire fonctionner.

Fonctionnement du moteur

- 0- Arrêt
- 1- Basse puissance
- 2- Puissance moyenne
- 3- Haute puissance

Fonctionnement de l'éclairage

- 0- Arrêt
- 1- Marche



## DÉPANNAGE

Problème	Cause possible	Solution
La lumière est allumée mais le moteur ne fonctionne pas	Le ventilateur est éteint	Sélectionnez une position du commutateur du ventilateur.
	Panne du commutateur du ventilateur	Contactez le centre d'assistance.
	Panne du moteur	Contactez le centre d'assistance.
La lumière ne fonctionne pas, le moteur ne fonctionne pas	Les fusibles de la maison ont sauté	Remettez/Remplacez les fusibles.
	Cordon d'alimentation lâche ou débranché	Rebranchez le cordon à la prise de courant. Mettez sous tension la prise de courant.
Fuite d'huile	Le clapet anti-refoulement et la sortie ne sont pas bien étanches	Ôtez le clapet anti-refoulement et rendez-le étanche avec du mastic.
	Fuite au niveau du raccordement de la cheminée et du couvercle	Ôtez la cheminée et rendez-la étanche.
Les lumières ne fonctionnent pas	Ampoules cassées/défectueuses	Changez les ampoules selon ces instructions.
Aspiration insuffisante	La distance entre la hotte aspirante et la plaque de cuisson au gaz est trop importante	Remontez la hotte aspirante à la bonne distance.
La hotte aspirante est inclinée	La vis de fixation n'est pas suffisamment serrée	Serrez la vis de suspension et placez-la à l'horizontale.

**REMARQUE :**





Toute réparation électrique sur cet appareil doit être conforme aux lois locales et nationales. Veuillez contacter le centre d'assistance si vous avez des doutes avant d'effectuer toute réparation. Débranchez toujours l'unité de la source d'alimentation quand vous ouvrez l'unité.

## **ENTRETIEN ET NETTOYAGE**

### **Attention :**

- Avant d'effectuer l'entretien ou le nettoyage, vous devez débrancher la hotte aspirante de l'alimentation. Vérifiez que la hotte aspirante est éteinte au niveau de la prise murale et que la fiche est débranchée.



- Les surfaces extérieures sont susceptibles d'être rayées et de subir des abrasions, veuillez donc respecter les instructions de nettoyage pour garantir le meilleur résultat possible sans dégât.

## **GÉNÉRALITÉS**

Le nettoyage et l'entretien doivent être effectués quand l'appareil est froid, en particulier pour le nettoyage. Évitez de laisser des substances alcalines ou acides (jus de citron, vinaigre, etc.) sur les surfaces.

## **ACIER INOXYDABLE**

Il faut nettoyer régulièrement (par ex. une fois par semaine) l'acier inoxydable pour garantir une longue durée de vie. Essuyez-le avec un chiffon doux et sec. Un liquide de nettoyage spécialement conçu pour l'acier inoxydable peut être utilisé.

### **REMARQUE :**

Veillez à essuyer l'appareil le long du grain de l'acier inoxydable pour éviter l'apparition de rayures croisées.

## **SURFACE DU PANNEAU DE COMMANDE**

Le panneau de commande peut être nettoyé avec de l'eau savonneuse chaude. Vérifiez que le chiffon est propre et bien essoré avant d'effectuer le nettoyage. Utilisez un chiffon doux et sec pour éliminer l'excès d'humidité restant après le nettoyage.

## **Important**

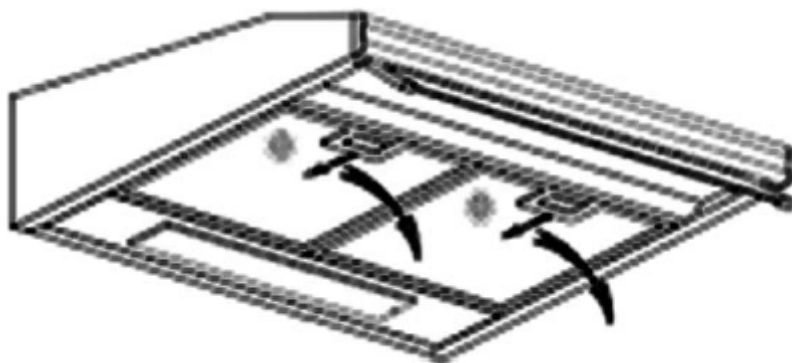
Utilisez des détergents neutres et évitez les produits chimiques agressifs, les détergents ménagers puissants ou les produits contenant des abrasifs, car cela affectera l'aspect de l'appareil et pourrait éliminer les dessins imprimés sur le panneau de commande et rendre la garantie caduque.

## **FILTRES À TAMIS À GRAISSE**

Les filtres à tamis peuvent être nettoyés à la main. Plongez-les pendant près de 3 minutes dans de l'eau avec un détergent pour dissoudre la graisse, puis brossez-les délicatement avec une brosse douce. N'exercez pas une pression trop importante pour éviter de les endommager. (Laissez-les sécher naturellement sans les placer en plein soleil)

Les filtres doivent être lavés séparément des couverts et des ustensiles de cuisine. Il est conseillé de ne pas utiliser un agent de rinçage.

- Enlevez les filtres selon les instructions de la Fig. ci-dessous.
- N'utilisez pas de détergent abrasif car il endommagerait la hotte.



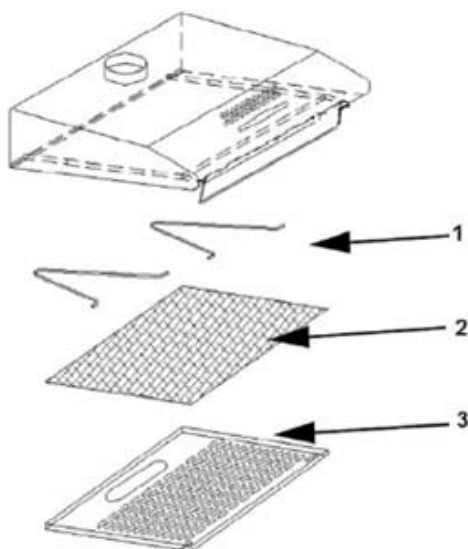
## INSTALLATION DES FILTRES À TAMIS À GRAISSE

- Pour installer les filtres, suivez ces quatre étapes :
  - Inclinez le filtre pour l'introduire dans les fentes à l'arrière de la hotte ;
  - Appuyez sur le bouton situé sur la poignée du filtre ;
  - Relâchez la poignée une fois que le filtre est mis en place ;
  - Répétez cette opération pour installer tous les filtres.

## FILTRE À CHARBON

Le filtre à charbon actif peut être utilisé pour capturer les odeurs. Il faut habituellement remplacer le filtre à charbon actif tous les trois ou six mois en fonction de vos habitudes de cuisine. La procédure d'installation du filtre à charbon actif est indiquée ci-dessous.

1. Enlevez le filtre à graisse.
2. Placez le filtre à charbon sur le filtre à graisse.
3. Fixez le filtre à charbon correctement placé avec le petit fil de fer.
4. Remontez le filtre à graisse.
5. N'utilisez les filtres à charbon que pour le mode recyclage.



1 Support en acier


2 Filtre à charbon

3 Filtre à graisse

### REMARQUE :

- Assurez-vous que le filtre est bien verrouillé. Sinon, il pourrait se détacher et devenir dangereux.
- Quand le filtre à charbon actif est fixé, la puissance d'aspiration diminue.

### REMPACEMENT DE L'AMPOULE

<p>Important :</p> 	<ul style="list-style-type: none"> <li>✧ L'ampoule doit être remplacée par le fabricant, le service après-vente ou d'autres personnes qualifiées.</li> <li>✧ Coupez toujours le courant avant d'effectuer toute opération sur l'appareil. Quand vous manipulez l'ampoule, assurez-vous qu'elle ait entièrement refroidi avant tout contact direct avec les mains.</li> <li>✧ Quand vous manipulez les ampoules, faites-le avec un chiffon ou des gants pour vous assurer tout contact entre elle et la transpiration et l'ampoule car cela peut réduire la durée de vie de l'ampoule.</li> </ul>
--	--

### Changer l'ampoule :

\*Avant de changer les lumières, assurez-vous que l'appareil a été débranché.

\*Utilisez le tournevis pour desserrer les 2 vis autotaraudeuses ST4\*8 mm du panneau d'éclairage, sortez la fixation de l'éclairage. Ouvrez le boîtier des bornes qui est raccordé au câble, débranchez le connecteur du câble et remplacez l'ampoule.

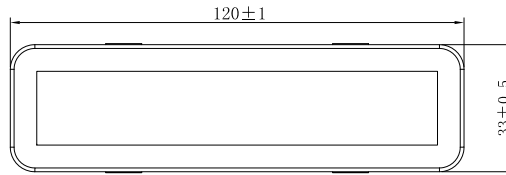
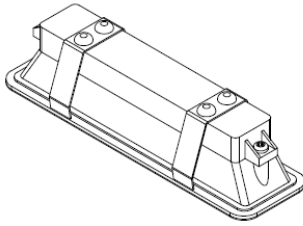
• Le code LCOS D pour cette lampe est le suivant : DBS-2/65-H-120/33

– Modules LED –lampe rectangulaire


– Puissance maxi : 2 W

– Plage de tension : CA 110-240 V

– Dimensions :



## **PROTECTION DE L'ENVIRONNEMENT**

	<p>Le symbole de la poubelle barrée est apposé sur ce produit. Cela veut dire que ce produit ne doit pas être jeté avec les ordures ménagères mais doit être apporté à un centre de collecte sélective conformément à la Directive 2012/19/UE. Il sera ensuite recyclé ou démonté pour réduire au minimum l'impact sur l'environnement car les produits électriques et électroniques sont potentiellement dangereux pour l'environnement et la santé humaine car contenant des substances nocives. Pour de plus amples informations, veuillez contacter les autorités locales ou régionales.</p>
---	--

### **REMARQUE :**

Les indications suivantes montrent comment réduire l'impact total sur l'environnement (par ex. utilisation de l'énergie) du processus de cuisson.

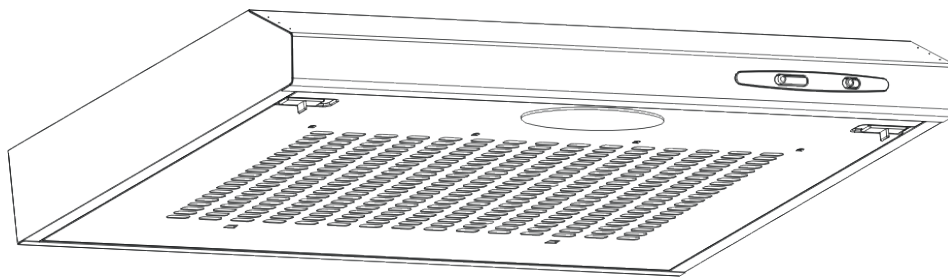
- (1) Installez la hotte aspirante à un endroit approprié disposant d'une ventilation efficace.
- (2) Nettoyez la hotte aspirante régulièrement de manière à ne pas obstruer le conduit d'air.
- (3) N'oubliez pas d'éteindre la lumière de la hotte aspirante après avoir cuisiné.
- (4) N'oubliez pas d'éteindre la hotte aspirante après avoir cuisiné.

## **INFORMATIONS POUR LE DÉMONTAGE**

Ne démontez pas l'appareil autrement que ce qui est indiqué dans le manuel d'utilisation. L'appareil ne doit pas être démonté par l'utilisateur. À la fin de sa durée de vie, l'appareil ne doit pas être jeté avec les ordures ménagères. Adressez-vous aux autorités locales ou au revendeur pour connaître la méthode de recyclage.

# Napa za štednjak

## Priručnik s uputama



## Sadržaj

1 .....	Sigurnosneupute
2 .....	Ugradnja
3 .....	Počniterabitinapuzastjednjak
4 .....	Rješavanjeproblema
5 .....	Održavanjei čišćenje
6 .....	Zaštitaokoliša

## **SIGURNOSNE UPUTE**

U ovom priručniku opisane su pravilna ugradnja i uporaba vaše nape za štednjak; pažljivo ga pročitajte prije uporabe čak i ako vam je proizvod poznat. Priručnik treba čuvati na sigurnom mjestu da biste se njime mogli poslužiti i u budućnosti.

Nikada nemojte činiti sljedeće:

- Ne pokušavajte rabiti napu za štednjak bez filtera za masnoće ili ako su filtri izrazito masni!
- Ne ugrađujte iznad štednjaka koji ima rešetku na visokoj razini.
- Ne ostavljajte tave u kojima se prži hrana bez nadzora tijekom uporabe jer se pregrijane masti ili ulja mogu zapaliti.
- Nikada ne ostavljajte otvoreni plamen ispod nape za štednjak.



- Ako je napa za štednjak oštećena, ne pokušavajte je rabiti.
- Ne flambirajte hranu ispod nape za štednjak.
- OPREZ: Prilikom uporabe s uređajima za kuhanje dostupni dijelovi mogu se zagrijati.
- Najmanja udaljenost između potporne površine za posude za kuhanje na ploči za kuhanje i najnižeg dijela nape za štednjak. (Kada je napa za štednjak smještena iznad plinskog uređaja, ta udaljenost mora biti najmanje 65 cm)
- Zrak se ne smije ispustiti u dimnjak koji se rabi za ispušne plinove uređaja na plin ili druga goriva.



Uvijek trebate napraviti sljedeće:

- Važno! Uvijek isključite napajanje u elektroenergetskoj mreži tijekom

ugradnje i održavanja, primjerice zamjene žarulje.

- Napu za štednjak trebate ugraditi u skladu s uputama za ugradnju i trebate se pridržavati svih mjerenja.
- Sve radove ugradnje smiju obaviti samo osposobljena osoba ili kvalificirani električar.
- Pažljivo odložite ambalažni materijal. Djeci on može naškoditi.
- Obratite pažnju na oštre rubove u unutrašnjosti nape za štednjak tijekom ugradnje i čišćenja.
- Kada se štednjak nalazi iznad plinskog uređaja, najmanja udaljenost između potporne površine za posude za kuhanje na ploči za kuhanje i najnižeg dijela nape za štednjak mora biti:  
Plinski štednjaci: 75 cm  
Električni štednjaci: 65 cm  
Štednjaci na ugljen ili ulje: 75 cm
- Pobrinite se da u kanalima nema zavoja oštrijih od 90 stupnjeva jer se tako smanjuje učinkovitost nape za štednjak.
- Upozorenje: Ako ne ugradite vijke ili pričvrсни uređaj u skladu s ovim uputama, mogu nastati rizici povezani sa strujom

Uvijek trebate napraviti sljedeće:

- Uvijek stavite poklopce na lonce i tave kada kuhate na plinskom štednjaku.
- Kada je u načinu ekstrakcije, zrak iz prostorije uklanja napa za štednjak. Svakako se pridržavajte odgovarajućih mjera za provjetravanje. Napa za štednjak uklanja neugodne mirise iz prostorije, ali ne i paru.
- Napa za štednjak namijenjena je samo uporabi u domaćinstvu.



- Ako je kabel za napajanje oštećen, trebaju ga zamijeniti proizvođač, njegov serviser ili osobe sličnih kvalifikacija radi izbjegavanja opasnosti.
- Ovaj uređaj mogu upotrebljavati djeca starija od osam godina i osobe sa smanjenim fizičkim, osjetilnim ili mentalnim sposobnostima ili nedostatkom iskustva i znanja ako su pod nadzorom ili su dobili upute u vezi sa sigurnom upotrebom uređaja te ako shvaćaju pripadajuće opasnosti. Djeca se ne smiju igrati uređajem. Djeca bez nadzora ne smiju čistiti niti obavljati postupke održavanja uređaja.



- Upozorenje: Prije nego što uspostavite pristup terminalima, trebate isključiti sve strujne krugove za napajanje.

Uvijek trebate napraviti sljedeće:

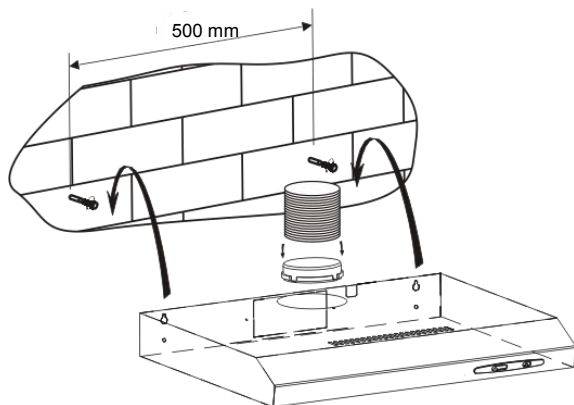
- Oprez: Uređaj i njegovi pristupačni dijelovi mogu postati vrući tijekom rada. Budite pažljivi i ne dodirujte grijaće elemente. Djeca mlađa od osam godina trebaju se držati podalje osim ako su pod stalnim nadzorom.
- Prostorija mora biti propisno provjetrena kada se napa za štednjak rabi istovremeno s uređajima na plin ili druga goriva.
- Nastaje rizik od požara ako se čišćenje ne obavi u skladu s uputama
- Treba se pridržavati propisa o ispuštanju zraka.
- Povremeno očistite uređaj slijedeći način opisan u poglavlju ODRŽAVANJE.
- Iz sigurnosnih razloga upotrebljavajte samo onu veličinu pričvrsnih ili postavnih vijaka koja je preporučena u ovom priručniku s uputama.
- Kada je riječ o pojedinostima o načinu i učestalosti čišćenja, pogledajte odjeljak o održavanju i čišćenju u priručniku s uputama.
- Djeca bez nadzora ne smiju čistiti niti obavljati postupke održavanja uređaja.
- Kada istovremeno rade napa za štednjak i uređaji koji se ne napajaju strujom, potlak u prostoriji ne smije biti viši od 4 Pa (4 x 10<sup>-5</sup> bara).
- UPOZORENJE: Opasnost od požara: ne spremajte predmete na površine za kuhanje.
- Ne smije se rabiti parni čistač.
- NIKADA ne pokušavajte ugasiti vatru vodom, nego isključite uređaj i prekrijte plamen npr. poklopcem ili protupožarnim pokrivačem.



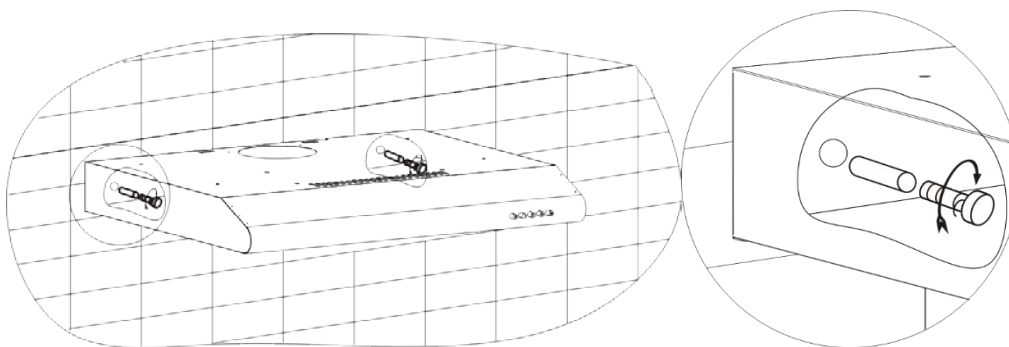
## **UGRADNJA**

### **A. UGRADNJA (Postavljanje na zid)**

- (1) Odaberite lokaciju otvora za pričvršćivanje nape za štednjak.
- (2) Postavite napu za štednjak na zid uporabom četiri vijka (4 x 30 mm)

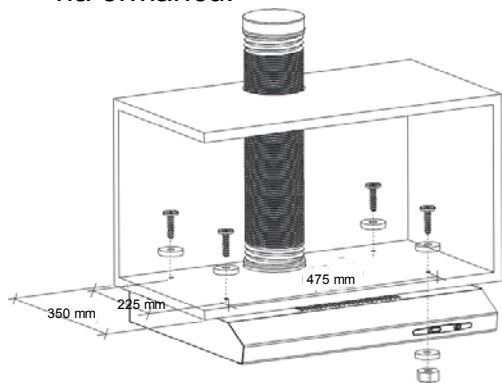


Napa za štednjak 60 cm



### **B. UGRADNJA (Postavljanje na ormarić)**

- (1) Postavite napu za štednjak na ormariću uporabom četiri vijka (4 x 35 mm), četiri matice i ravnih podloški. Provucite četiri vijka i četiri ravne podloške od vrha ormarića do nape za štednjak i tako pričvrstite napu na ormarić. Zatim, u napi za štednjak provucite ravnu podlošku i maticu do vijka da biste zadržali uređaj na ormariću.



Napa za štednjak 60 cm

Obavijest: Dva su načina provjetravanja, uključujući „vodoravno provjetravanje” i „okomito provjetravanje”. Pazite na način provjetravanja prilikom ugradnje.

Vodoravno provjetravanje: Pogledajte Sl. 4A; upotrijebite poklopac za zatvaranje izlaza na vrhu pa se zrak može provjetravati sa stražnje strane.

Okomito provjetravanje: Pogledajte Sl. 4B; upotrijebite poklopac za zatvaranje izlaza na stražnjoj strani pa se zrak može provjetravati s vrha.

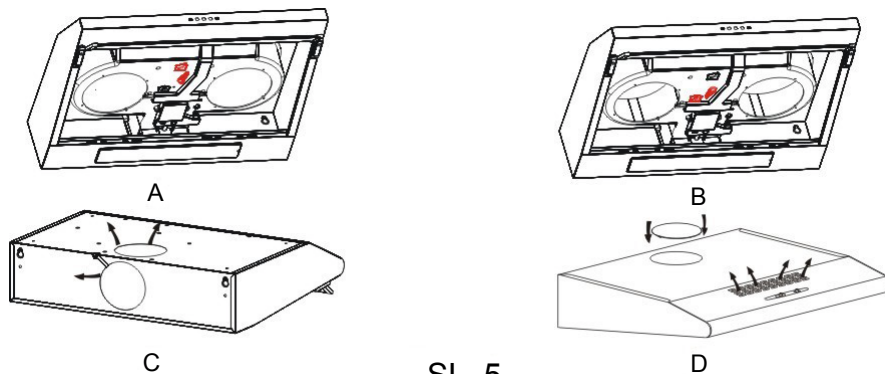


SL. 4


### Postavljanje provjetravanja zraka

Vanjsko provjetravanje zraka: Okrenite prilagodnik u vanjski položaj (Sl. 5A), postavite izlaz, uključite napu za štednjak i zrak se provjetrava iz vanjskog izlaza.

Unutarnje provjetravanje zraka: Okrenite prilagodnik u unutarnji položaj (Sl. 5B), postavite poklopac izlaza, uključite napu za štednjak i zrak se provjetrava iz unutarnjeg izlaza.



SL. 5

<p><b>UPOZORENJE:</b></p> 	<p>➤ Iz sigurnosnih razloga upotrebljavajte samo onu veličinu pričvrtnih ili postavnih vijaka koja je preporučena u ovom priručniku s uputama.</p> <p>➤ Ako ne ugradite vijke ili pričvrtni uređaj u skladu s ovim uputama, mogu nastati rizici povezani sa strujom.</p>
---	--

## **Počnite rabiti napu za štednjak**

### **Pregibni prekidač**

Tri su brzine za motor i prekidač za paljenje i gašenje svjetiljke.

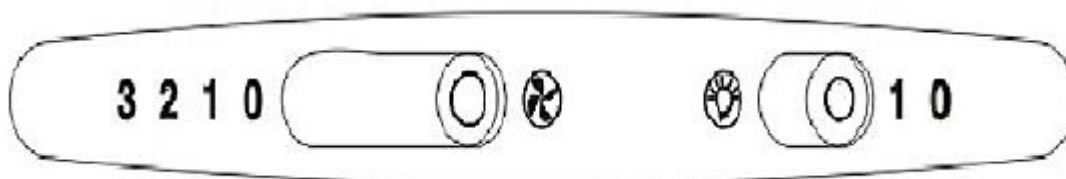
Pomaknite prekidač kliznim pokretom da biste ga uključili.

Rad motora

- 0- isključeno
- 1- Postavljanje niske snage
- 2- Postavljanje srednje snage
- 3- Postavljanje visoke snage

Rad svjetla

- 0- Isključeno
- 1- Uključeno



## **RJEŠAVANJE PROBLEMA**

<b>Kvar</b>	<b>Mogući uzrok</b>	<b>Rješenje</b>
Svjetlo je uključeno, ali motor ne radi	Isključen je prekidač za ventilator	Odaberite položaj prekidača za ventilator.
	Kvar prekidača za ventilator	Obratite se servisnom centru.
	Kvar motora	Obratite se servisnom centru.
Svjetlo ne radi, motor ne radi	Izgorjeli osigurači	Vratite osigurače u prvotno stanje / zamijenite ih.
	Kabel za napajanje labav ili nije spojen	Ponovno utaknite kabel u utičnicu. Uključite utičnicu.
Curenje ulja	Jednosmjerni ventil i izlaz nisu čvrsto zatvoreni	Spustite jednosmjerni ventil i zabrtvite ga brtvilom.
	Curenje iz spoja dimnjaka i poklopca	Spustite dimnjak i zabrtvite ga.

Svjetla ne rade	Razbijene žarulje / žarulje u kvaru	Zamijenite žarulje prema ovoj uputi.
Nedovoljan usis	Prevelika udaljenost između nape za štednjak i plinske ploče	Postavite napu za štednjak na pravilnu udaljenost.
Naginje se napa za štednjak	Pričvrсни vijak nije dovoljno stegnut	Stegnite viseći vijak i stavite ga u vodoravan položaj.

### **NAPOMENA:**



Bilo koji električni popravci ovoga uređaja moraju biti u skladu s lokalnim, državnim i saveznim zakonima. Obratite se servisnom centru ako imate nedoumica prije nego što poduzmete išta od gore navedenog. Uvijek isključite napajanje kada otvarate jedinicu.

## **ODRŽAVANJE I ČIŠĆENJE**

### **Oprez:**

- Prije nego što izvedete održavanje ili čišćenje, trebete isključiti napajanje nape za štednjak. Pobrinite se da je napa za štednjak isključena iz zidne utičnice i da je utikač uklonjen.
- Vanjske su površine podložne ogrebotinama i abraziji; stoga se pridržavajte uputa za čišćenje da biste postigli najbolje rezultate bez oštećenja.



### **OPĆENITO**

Čišćenje i održavanje, osobito čišćenje, treba izvoditi dok je uređaj hladan. Ne ostavljajte lužnate ili kisele tvari (limunov sok, ocat itd.) na površinama.

### **NEHRĐAJUĆI ČELIK**

Nehrđajući čelik treba redovito čistiti (tj. svaki tjedan) radi dugog radnog vijeka. Osušite čistom mekanom krpom. Možete upotrijebiti i specijalnu tekućinu za čišćenje nehrđajućeg čelika.

### **NAPOMENA:**

Pobrinite se da brisanje izvodite u smjeru teksture nehrđajućeg čelika radi sprječavanja pojave neuglednih poprečnih linija.

### **POVRŠINA UPRAVLJAČKE PLOČE**

Oblogu upravljačke ploče možete očistiti toplom sapunastom vodom. Provjerite je li krpa čista i dobro iscijeđena prije čišćenja. Upotrijebite suhu meku krpu za uklanjanje viška vlage nakon čišćenja.

### **Važno**

Upotrebljavajte neutralne deterdente i izbjegavajte teške kemikalije za čišćenje, jake deterdžente za domaćinstvo ili proizvode koji sadrže abrazive, jer to utječe na izgled uređaja i time možete ukloniti otisnuti materijal na upravljačkoj ploči i tako poništiti jamstvo.

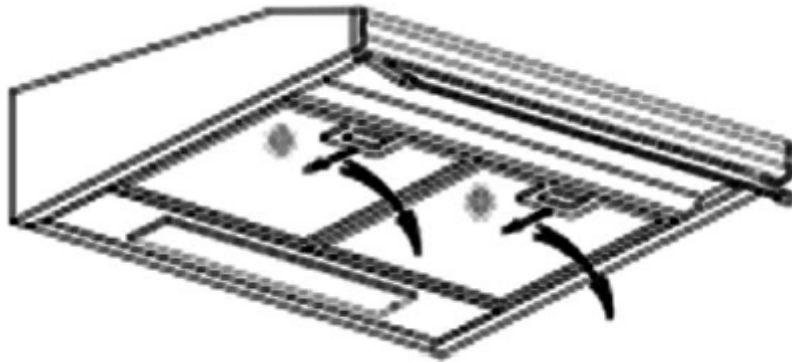
### **FILTRI S MREŽICOM ZA MASNOĆE**

Filtre možete očistiti ručno. Umočite ih otprilike tri minute u vodu s deterdžentom za otapanje masnoća, a zatim ih lagano iščetkajte mekanom četkom. Ne pritišćite previše

da ne biste oštetili filtre. (Ostavite da se osuše prirodnim putem, podalje od izravne Sunčeve svjetlosti)

Filtre treba prati odvojeno od posuđa i kuhinjskog pribora. Ne preporučuje se uporaba sredstva za ispiranje.

- Uklanjanje filtara prema uputama na Sl. u nastavku.
- Ne rabite abrazivne deterdžente jer ćete tako oštetiti napu.



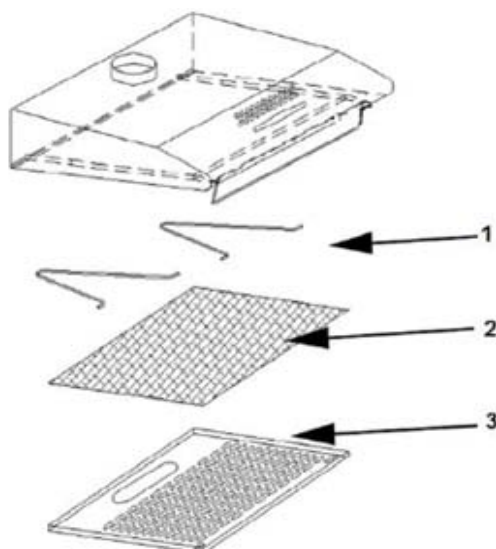
## UGRADNJA FILTERA S MREŽICOM ZA MASNOĆE

- Slijedite sljedeća četiri koraka za ugradnju filtara.
- Stavite filtar pod kutom u utore na stražnjoj strani nape.
- Pritisnite gumb na ručki filtra.
- Otpustite ručku kada filtar upadne u položaj mirovanja.
- Ponovite postupak za ugradnju svih filtara.

## UGLJENI FILTER

Filtar od aktivnog ugljena može se upotrijebiti za sprječavanje širenja neugodnih mirisa. Filtar od aktivnog ugljena normalno treba promijeniti nakon tri do šest mjeseci, ovisno o vašim navikama kuhanja. Postupak ugradnje filtra od aktivnog ugljena objašnjen je u nastavku.

1. Izvucite filtar za masnoće.
2. Stavite ugljeni filtar na filtar za masnoće.
3. Pričvrstite propisno namješten ugljeni filtar malom čeličnom žicom.
4. Ponovno ugradite filtar za masnoće.
5. Upotrebjavajte ugljeni filtar samo u načinu ponovnog protoka.



1. Čelična kuka


2. Ugljeni filtar

3. Filtar za masnoće

### NAPOMENA:

- Filtar mora biti sigurno zaključan. Inače bi mogao olabaviti i prouzročiti opasne situacije.
- Kada je filtar od aktivnog ugljena pričvršćen, usisna je snaga manja.

### ZAMJENA ŽARULJE

<p>Važno:</p> 	<ul style="list-style-type: none"> <li>✧ Žarulju trebaju zamijeniti proizvođač, njegov serviser ili osobe sličnih kvalifikacija.</li> <li>✧ Uvijek isključite napajanje prije izvođenja bilo kojih radnji na uređaju. Kada rukujete žaruljom, pričekajte da se potpuno ohladi prije nego što dođe u izravan doticaj s rukama.</li> <li>✧ Kada rukujete žaruljama upotrijebite krpu ili stavite rukavice da znoj ne bi došao u doticaj sa žaruljom budući da joj to smanjuje vijek trajanja.</li> </ul>
---	--

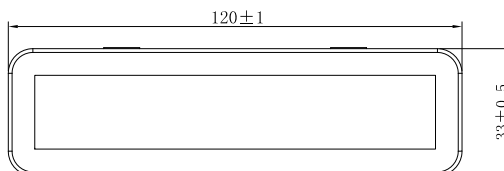
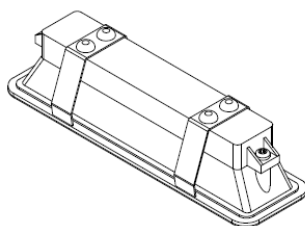
### Mijenjanje svjetla:

\*Prije mijenjanja svjetla pobrinite se da je uređaj isključen.


\*Odvijačem olabavite samourezni vijak ST4\*8MM (dva kom) s rasvjetne ploče za osvjtljavanje i izvucite rasvjetnu opremu. Otvorite priključnu kutiju koja je spojena žicom, odspojite žični poveznik i zamijenite svjetiljku.

• Šifra ILCOS D za ovu svjetiljku je: DBS-2/65-H-120/33

- moduli LED –pravokutna svjetiljka
- Najveća snaga: 2 W
- Područje napona: AC 110 – 240 V
- Dimenzije:



## **ZAŠTITA OKOLIŠA:**

	<p>Ovaj je proizvod označen simbolom za selektivno razvrstavanje otpadne elektroničke opreme. To znači da se ovaj proizvod ne smije odlagati s otpadom iz domaćinstva, nego ga treba zbrinuti sukladno sustavu za selektivno prikupljanje prema Direktivi br. 2012/19/EU. Nakon toga se reciklira ili rastavlja radi svođenja utjecaja na okoliš na najmanju moguću mjeru. Električni i elektronički proizvodi potencijalno su opasni za okoliš i ljudsko zdravlje zbog prisutnosti opasnih tvari. Više informacija mogu vam pružiti lokalna ili regionalna nadležnih tijela.</p>
---	---

### **NAPOMENA:**

U nastavku je prikazano kako smanjiti ukupan utjecaj postupka kuhanja (tj. uporabe energije) na okoliš.

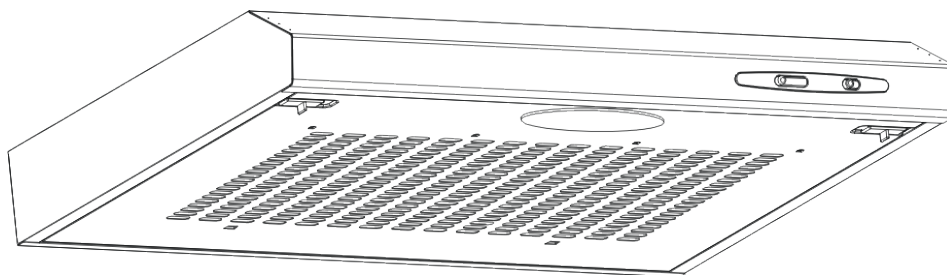
- (1) Ugradite napu za štednjak na pravo mjesto s propisnim provjetranjem.
- (2) Redovito čistite napu za štednjak radi sprječavanja blokiranja zračnog puta.
- (3) Ne zaboravite isključiti svjetlo nape za štednjak nakon kuhanja.
- (4) Ne zaboravite isključiti napu za štednjak nakon kuhanja.

## **INFORMACIJE O RASTAVLJANJU**

Ne rastavljajte uređaj na način koji nije prikazan u korisničkom priručniku. Korisnik ne smije rastavljati uređaj. Na kraju radnog vijeka uređaj se ne smije odložiti s otpadom iz domaćinstva. Vaše lokalno nadležno tijelo ili njegov predstavnik mogu vam dati savjete o recikliranju.

# Cappa per cucina

## Manuale di istruzioni





# Indice

1 .....	Avvertenze sulla sicurezza
2 .....	Installazione
3 .....	Funzionamento della cappa
4 .....	Soluzione dei problemi
5 .....	Pulizia e manutenzione
6 .....	Protezione dell'ambiente

## **AVVERTENZE SULLA SICUREZZA**

Questo manuale fornisce istruzioni per installare e utilizzare correttamente la cappa, per cui occorre consultarle attentamente anche se il prodotto è già conosciuto. Conservare questo manuale in un luogo sicuro per consultazioni successive.

### **Cosa non fare:**

- Non utilizzare la cappa se i filtri per il grasso mancano o sono sporchi.
- Non installare su fornelli che producono fiamme alte.
- Non lasciare incustodite le padelle per le frittiture, in quanto il surriscaldamento dell'olio o dei grassi potrebbe provocare incendi.
- Non produrre fiamme alte sotto la cappa.



- Non utilizzare la cappa se è danneggiata.
- Non cucinare pietanze al flambé sotto la cappa.
- **ATTENZIONE:** i componenti accessibili potrebbero diventare troppo caldi quando la cappa viene utilizzata con altri elettrodomestici per la cottura degli alimenti.
- Attenersi alla distanza minima tra la superficie di supporto delle pentole sul piano cottura e la parte inferiore della cappa. Se la cappa viene installata su un elettrodomestico a gas, la distanza minima è almeno 65 cm.
- L'aria non deve essere scaricata nella canna fumaria utilizzata per l'evacuazione dei fumi di elettrodomestici che bruciano gas o altri combustibili.



### **Cosa fare:**

- **Importante:** durante l'installazione e la manutenzione (ad es. la sostituzione della lampadina), scollegare sempre la fonte di alimentazione elettrica.
- La cappa deve essere installata esattamente come descritto nelle istruzioni.
- L'installazione deve essere effettuata da un elettricista professionista o da una persona competente.
- Smaltire correttamente i materiali di imballo, mantenendoli fuori dalla portata dei bambini.
- Accertarsi che nella cappa non rimangano oggetti taglienti, specialmente durante le operazioni di installazione e manutenzione.
- Se la cappa viene installata su un elettrodomestico a gas, rispettare la distanza minima tra la superficie di supporto delle pentole sul piano cottura e la parte inferiore della cappa:  
Fornelli a gas: 75 cm  
Fornelli elettrici: 65 cm  
Fornelli a olio o carbone: 75 cm
- Accertarsi che le curvature dei tubi non siano inferiori a 90 gradi, altrimenti l'efficienza della cappa diminuisce.
- **Avvertenza:** per evitare pericoli dovuti all'elettricità, installare tutte le viti e i dispositivi di fissaggio descritti nelle presenti istruzioni.

## Cosa fare:

- Se il fornello è a gas, coprire sempre le pentole con i coperchi.
- In modalità estrazione, l'aria nell'ambiente viene rimossa dalla cappa. Predisporre un'adeguata ventilazione. La cappa elimina gli odori dall'ambiente, ma non il vapore.
- La cappa deve essere utilizzata solo in ambienti domestici.



- Se il cavo di alimentazione è danneggiato deve essere sostituito dal produttore, da un rappresentante o da una persona competente per evitare rischi.
- Questo elettrodomestico può essere utilizzato da bambini di almeno 8 anni, da persone con ridotte capacità fisiche, sensoriali o mentali e da persone inesperte solo se sono controllate o se hanno appreso le modalità di utilizzo sicuro dell'elettrodomestico e sono consapevoli dei relativi rischi. Impedire ai bambini di giocare con l'elettrodomestico. La pulizia e la manutenzione non devono essere effettuate dai bambini senza supervisione.



- Avvertenza: scollegare l'alimentazione elettrica prima di accedere ai terminali elettrici.

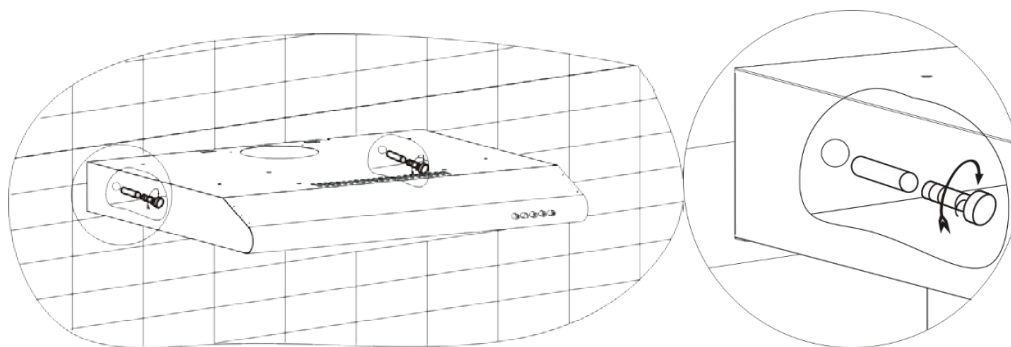
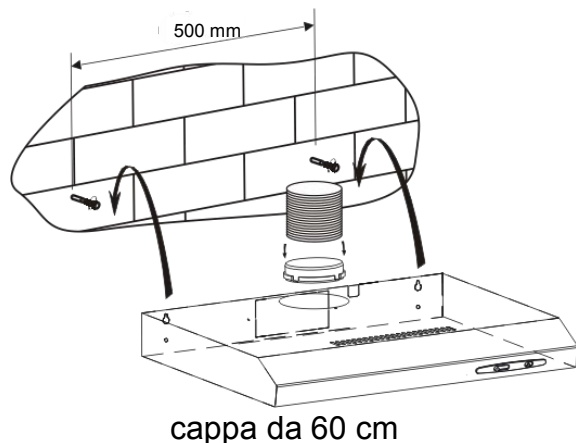
## Cosa fare:

- Attenzione: l'elettrodomestico e i componenti accessibili potrebbero diventare molto caldi durante l'uso. Non toccare le resistenze. Tenere lontani i bambini di età inferiore a 8 anni o sorvegliarli continuamente.
- Se la cappa viene utilizzata assieme a elettrodomestici che bruciano gas o altri combustibili, predisporre un'adeguata ventilazione dell'ambiente.
- Per evitare il rischio di incendi, eseguire le operazioni di pulizia come descritto nelle istruzioni.
- Attenersi scrupolosamente alle norme e ai regolamenti inerenti allo scarico dell'aria.
- Pulire periodicamente l'elettrodomestico con il metodo descritto nel capitolo MANUTENZIONE.
- Per motivi di sicurezza, utilizzare solo viti o dispositivi di montaggio delle dimensioni consigliate nel presente manuale di istruzioni.
- Per la frequenza e il metodo di pulizia, fare riferimento alle istruzioni dettagliate contenute nella sezione dedicata alla pulizia e alla manutenzione.
- La pulizia e la manutenzione non devono essere effettuate dai bambini senza supervisione.
- Se la cappa viene utilizzata contemporaneamente ad altri elettrodomestici alimentati con fonti alternative all'elettricità, la pressione negativa dell'ambiente non deve essere superiore a 4 Pa ( $4 \times 10^{-5}$  bar).
- AVVERTENZA: per evitare il rischio di incendi, non collocare oggetti sulle superfici di cottura.
- Non adoperare elettrodomestici per la pulizia a vapore.
- In caso di incendio, non provare MAI a estinguerlo con l'acqua; spegnere l'elettrodomestico e coprire la fiamma con un coperchio o una coperta antincendio.

## **INSTALLAZIONE**

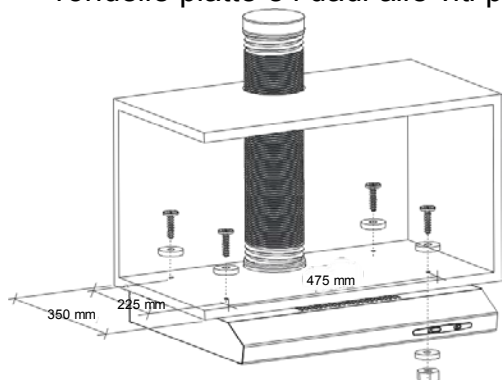
### **A. INSTALLAZIONE (montaggio a parete)**

- (1) Stabilire la posizione dei fori per il fissaggio della cappa.
- (2) Montare la cappa a parete utilizzando 4 viti da 30 mm.



### **B. INSTALLAZIONE (montaggio in vano)**

- (1) Montare la cappa sul vano utilizzando 4 viti da 35 mm, 4 dadi e rondelle piatte. Fissare la cappa al vano inserendo 4 viti e 4 rondelle piatte dalla parte superiore del vano alla cappa. All'interno della cappa, quindi, applicare le rondelle piatte e i dadi alle viti per fissare l'elettrodomestico al vano.



cappa da 60 cm

Avviso: la ventilazione può essere predisposta in orizzontale o in verticale. Scegliere il metodo di ventilazione durante l'installazione.

Ventilazione orizzontale: per evacuare l'aria dalla parte posteriore, sigillare con il coperchio lo scarico superiore (Fig. 4A).

Ventilazione verticale: per evacuare l'aria dalla parte superiore, sigillare con il coperchio lo scarico posteriore (Fig. 4B).



Figura 4

### Impostazione della ventilazione dell'aria

Evacuazione dell'aria all'esterno: ruotare il regolatore in posizione esterna (Fig. 5A), installare lo scarico e accendere la cappa per evacuare l'aria dallo scarico esterno.

Evacuazione dell'aria all'interno: ruotare il regolatore in posizione interna (Fig. 5B), installare il coperchio dello scarico e accendere la cappa per evacuare l'aria dallo scarico interno.

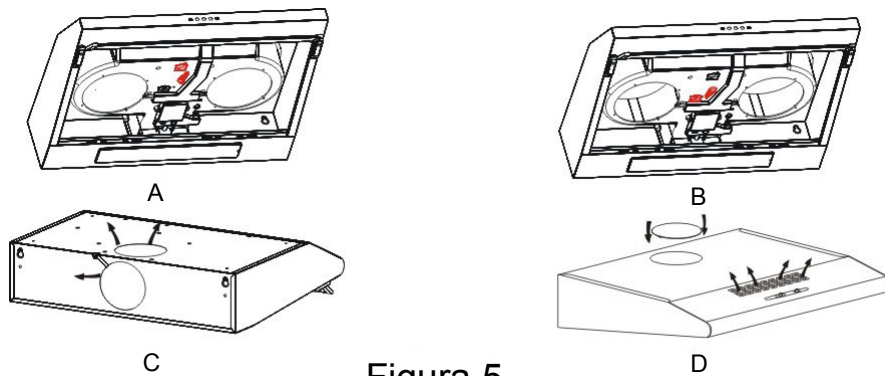



Figura 5

<p>AVVERTENZA:</p> 	<p>➤ Per motivi di sicurezza, utilizzare solo ventilatori o dispositivi di montaggio delle dimensioni consigliate nel presente manuale di istruzioni.</p> <p>➤ Per evitare pericoli dovuti all'elettricità, installare tutti i dispositivi di fissaggio descritti nelle presenti istruzioni.</p>
--	--

## **Funzionamento della cappa**

### **Interruttori**

È presente un interruttore che consente di scegliere 3 velocità di rotazione del motore e un interruttore per accendere e spegnere la lampada.

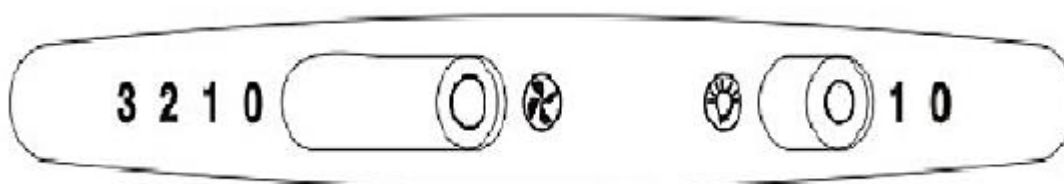
Fare scorrere l'interruttore per azionare la cappa.

Funzionamento del motore

- 0- Spento
- 1- Potenza bassa
- 2- Potenza media
- 3- Potenza alta

Funzionamento dell'illuminazione

- 0- Spenta
- 1- Accesa



## **SOLUZIONE DEI PROBLEMI**

<b>Guasto</b>	<b>Causa possibile</b>	<b>Soluzione</b>
La luce si accende ma il motore non funziona.	Interruttore del ventilatore spento.	Scegliere una posizione di funzionamento del ventilatore.
	L'interruttore del ventilatore non funziona.	Rivolgersi al centro assistenza.
	Il motore non funziona.	Rivolgersi al centro assistenza.
La luce non si accende ma il motore funziona.	Fusibili dell'impianto bruciati.	Resettare o sostituire i fusibili.
	Cavo di alimentazione allentato o scollegato.	Inserire la spina nella presa di corrente. Accendere la cappa.
Perdita d'olio.	Valvola a 1 via o scarico non sigillati perfettamente.	Staccare la valvola a 1 via e sigillarla.

	Perdita dal collegamento del camino e del coperchio.	Smontare il camino e sigillarlo.
La luce non funziona.	Lampadina guasta.	Sostituire la lampadina come indicato nelle istruzioni.
Aspirazione insufficiente	La distanza tra la cappa e il fornello a gas è eccessiva.	Rimontare la cappa a una distanza corretta.
La cappa si inclina.	La vite di fissaggio non è stata stretta a sufficienza.	Stringere la vite di fissaggio per collocare la cappa orizzontale.

**NOTA:**



Eventuali riparazioni elettriche all'elettrodomestico devono essere conformi alle normative nazionali e locali. In caso di dubbi, rivolgersi al centro assistenza. Prima di smontare l'elettrodomestico, scollegarlo sempre dalla fonte di alimentazione elettrica.

## **PULIZIA E MANUTENZIONE**

### **Attenzione:**

- Prima di eseguire le operazioni di pulizia e manutenzione, scollegare la cappa dalla fonte di alimentazione elettrica. Accertarsi che la cappa sia spenta e che la spina sia staccata dalla presa.



- Le superfici esterne sono sensibili ai graffi e alle abrasioni, per cui attenersi scrupolosamente alle istruzioni per la pulizia per ottenere i migliori risultati possibili senza danni.

## **GENERALITÀ**

La pulizia e la manutenzione devono essere eseguite con l'elettrodomestico freddo, specialmente la pulizia. Non lasciare sostanze acide o alcaline (ad es. aceto o succo di limone) sulle superfici.

## **ACCIAIO INOX**

L'acciaio inox richiede una pulizia regolare (ad es. ogni settimana) per ottimizzarne la durata. Pulire con un panno morbido e pulito. È possibile utilizzare detergenti liquidi per acciaio inox.

### **NOTA:**

strofinare lungo la trama dell'acciaio inox per evitare graffi trasversali antiestetici.

## **SUPERFICIE DEL PANNELLO DI CONTROLLO**

Pulire le incrostazioni sul pannello di controllo con acqua calda e sapone. Utilizzare un panno pulito e ben strizzato. Per eliminare l'umidità in eccesso dopo la pulizia, adoperare un panno morbido.

## **Importante**

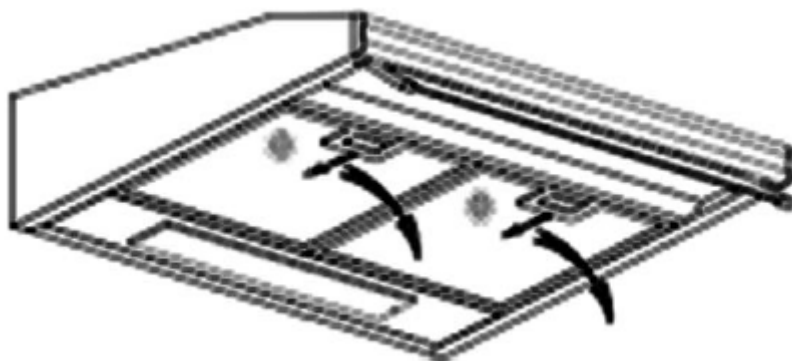
Utilizzare detergenti neutri, evitando l'impiego di sostanze chimiche, detersivi potenti o prodotti contenenti abrasivi, per evitare macchie o graffi che annullano la garanzia del produttore.

## **FILTRI ANTIGRASSO A MAGLIA**

I filtri possono essere puliti manualmente. Lasciarli immersi per 3 minuti in acqua con un detergente che scioglie il grasso e spazzolarli delicatamente con una spazzola morbida. Non applicare troppa pressione, altrimenti potrebbero danneggiarsi. Lasciarli asciugare naturalmente, al riparo dalla luce solare diretta.

I filtri devono essere lavati separatamente dalle stoviglie e dagli utensili di cucina, preferibilmente senza utilizzare brillantante.

- Togliere i filtri come illustrato nella figura seguente.
- Non utilizzare detersivi abrasivi che potrebbero danneggiare la cappa.



## **INSTALLAZIONE DEI FILTRI ANTIGRASSO A MAGLIA**

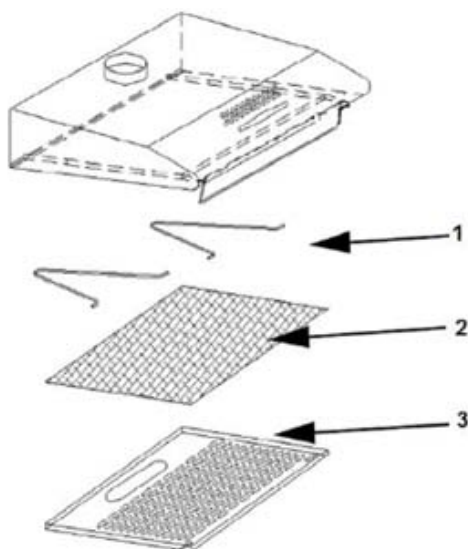
- Per installare i filtri, attenersi alla procedura seguente:
  - Inserire il filtro nelle feritoie posteriori della cappa.
  - Premere il pulsante sulla maniglia del filtro.
  - Lasciare il pulsante quando il filtro è nella posizione corretta.
  - Ripetere l'operazione per installare tutti i filtri.

## **FILTRI A CARBONE**

Per catturare gli odori è possibile utilizzare filtri ai carboni attivi. Normalmente questi filtri devono essere sostituiti ogni 3-6 mesi, in base all'uso della cucina. Di seguito è indicata la procedura di installazione dei filtri a carboni attivi.

1. Togliere il filtro antigrasso.
2. Collocare il filtro a carbone sul filtro antigrasso.
3. Sistemare correttamente il filtro a carboni e fissarlo con le staffe in filo d'acciaio.
4. Rimontare il filtro antigrasso.
5. Utilizzare i filtri a carbone solo in modalità ricircolo.





1 Staffe d'acciaio


2 Filtro a carbone

3 Filtro antigrasso

### NOTA:

- Accertarsi che il filtro sia bloccato, altrimenti potrebbe allentarsi e provocare danni.
- Se si utilizza un filtro a carboni attivi, la potenza di aspirazione si riduce.

## SOSTITUZIONE DELLA LAMPADINA

<p>Importante:</p> 	<ul style="list-style-type: none"> <li>✧ La lampadina deve essere sostituita dal produttore, da un rappresentante o da una persona qualificata.</li> <li>✧ Prima di effettuare qualunque operazione sull'elettrodomestico, scollegare sempre la fonte di alimentazione elettrica. Prima di toccare la lampadina con le mani, accertarsi che si sia raffreddata completamente.</li> <li>✧ Per prolungare la durata della lampadina, maneggiare il portalampada con un panno o con i guanti per evitare che il sudore entri a contatto con la lampadina.</li> </ul>
--	---

### Sostituzione della lampadina:

\*Prima di sostituire la lampadina, accertarsi che la spina dell'elettrodomestico sia staccata.

\*Svitare le 2 viti autofilettanti ST4 da 8 mm del pannello di illuminazione ed estrarre la lampada. Aprire il vano dei terminali di collegamento del cavo, scollegare il connettore e sostituire la lampadina.

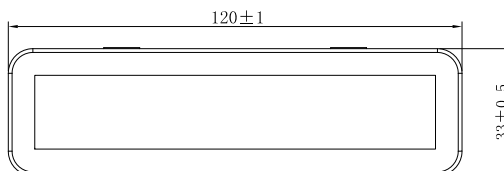
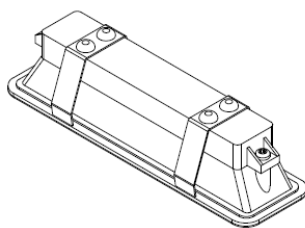
• **Codice ILCOS D per la lampadina: DBS-2/65-H-120/33**

– Moduli a LED – lampadina rettangolare

– Wattaggio max: 2 W

– Intervallo di tensione: 110-240 Vca

– Dimensioni:



## **PROTEZIONE AMBIENTALE:**

	<p>Questo prodotto è contrassegnato con il simbolo che indica la necessità di un corretto smaltimento delle apparecchiature elettroniche. Questo prodotto, infatti, non deve essere gettato via tra i rifiuti comuni, ma deve essere smaltito adeguatamente in base alla direttiva 2012/19/U. L'elettrodomestico deve essere riciclato o demolito per ridurre al minimo l'impatto sull'ambiente. I prodotti elettrici ed elettronici, infatti, rappresentano una fonte di pericolo per l'ambiente e la salute umana a causa della presenza di sostanze pericolose. Per ulteriori informazioni, rivolgersi alle autorità locali.</p>
--	---

### **NOTA:**

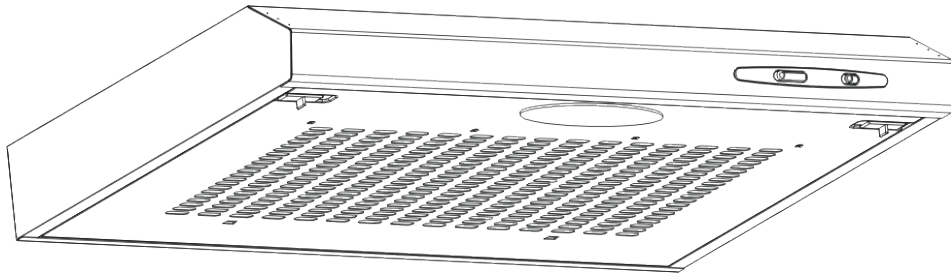
Le istruzioni fornite di seguito spiegano come ridurre l'impatto ambientale totale (ad es. l'uso dell'energia) quando si cucina.

- (1) Installare la cappa in un luogo corretto e adeguatamente ventilato.
- (2) Pulire regolarmente la cappa per evitare ostruzioni nel percorso dell'aria.
- (3) Dopo la cottura, spegnere la lampada della cappa.
- (4) Dopo la cottura, spegnere la cappa.

## **INFORMAZIONI SULLO SMONTAGGIO**

Per smontare l'elettrodomestico, attenersi scrupolosamente alle istruzioni contenute in questo manuale. L'elettrodomestico non può essere smontato dall'utente. Alla fine del ciclo di vita, l'elettrodomestico non deve essere gettato via come rifiuto comune. Consultare le autorità locali o il fornitore per il corretto smaltimento.

# Dampkap Handleiding



# Inhoud

1 .....	Veiligheidsinstructies
2 .....	Installatie
3 .....	Uw dampkap gebruiken
4 .....	Problemen oplossen
5 .....	Onderhoud en reiniging
6 .....	Milieubescherming

## **VEILIGHEIDSINSTRUCTIES**

Deze handleiding geeft uitleg hoe u uw dampkap correct moet installeren en gebruiken. Lees de instructies aandachtig voordat u het toestel gebruikt, zelfs als u met dit product vertrouwd bent. Houd de handleiding op een veilige plaats om die later te kunnen raadplegen.

Het volgende mag u nooit doen:

- Probeer niet om de dampkap zonder de vetfilters te gebruiken, of als de filters bijzonder vettig zijn!
- Niet boven een fornuis installeren met een grill op hoog niveau.
- Laat geen frituurpannen zonder toezicht tijdens het gebruik, gezien oververhit vet en olie vuur kan vatten.
- Laat nooit vrije vlammen onder de dampkap.



- Probeer niet om de dampkap toch te gebruiken als die beschadigd is.
- Niet flamberen onder de dampkap.
- **OPGELET:** Toegankelijke delen kunnen heet worden wanneer ze met kooktoestellen worden gebruikt.
- De minimale afstand tussen het steunoppervlak voor kookgerei op het fornuis en de onderkant van de dampkap. (Wanneer de dampkap boven een gasfornuis is aangebracht, dan moet deze afstand minstens 65 cm bedragen)
- De lucht mag niet worden afgelaten in een buis die wordt gebruikt voor uitlaatgassen van toestellen die gas of andere brandstoffen verbranden.



Het volgende moet u altijd doen:

- **Belangrijk!** Schakel de elektrische voeding op de stroomvoorziening altijd

uit tijdens het installeren of het onderhoud, bijvoorbeeld wanneer u een lampje moet vervangen.

- De dampkap moet worden geïnstalleerd in overeenstemming met de instructies voor het installeren, en alle maten moeten worden gerespecteerd.
- Alle installatiewerken moeten door een bekwaam persoon of een gekwalificeerde elektricien worden uitgevoerd.
- Gelieve de verpakking zorgvuldig te verwijderen. Kinderen kunnen er immers door verwond raken.
- Let op voor scherpe randen vanbinnen in de dampkap, vooral tijdens het installeren en het schoonmaken.
- Wanneer de dampkap boven een gastoestel is geïnstalleerd, moet de minimale afstand tussen het steunoppervlak voor kookgerei op het fornuis en de onderkant van de dampkap als volgt zijn:

Gasfornuizen:	75 cm
Elektrische fornuizen:	65 cm
Fornuizen op kolen of olie:	75 cm
- Zorg ervoor dat de buigingen in de leidingen niet meer dan 90 graden bedragen, omdat dit de efficiëntie van de dampkap anders vermindert.
- **Waarschuwing:** Wanneer de schroeven of de bevestiging niet volgens deze instructies zijn geïnstalleerd, kan dit elektrische gevaren met zich meebrengen

Het volgende moet u altijd doen:

- **A** Doe altijd het deksel op de potten en pannen wanneer u op een gasfornuis kookt.
- Wanneer het apparaat in zuigmodus is, wordt de lucht in de kamer door de dampkap weggezogen. Zorg ervoor dat de correcte ventilatiemaatregelen worden nageleefd. De dampkap verwijdert geuren uit de kamer, maar geen stoom.
- De dampkap is uitsluitend voor huishoudelijk gebruik.



- Als het netsnoer beschadigd is, moet het worden vervangen door de fabrikant, diens vertegenwoordiger of vergelijkbaar gekwalificeerde personen om gevaar te voorkomen.
- Dit apparaat mag worden gebruikt door kinderen vanaf 8 jaar en door personen met verminderde lichamelijke, zintuiglijke of geestelijke vermogens of met een gebrek aan ervaring en kennis, mits deze geschikt toezicht hebben of instructies hebben gekregen om het apparaat veilig te kunnen gebruiken en de gevaren die erbij betrokken zijn te kunnen begrijpen. Kinderen mogen niet met het apparaat spelen. Het schoonmaken en het onderhoud mag niet door kinderen worden uitgevoerd als zij niet onder toezicht staan.



- **Waarschuwing:** Vooraleer naar de eindklemmen te gaan, moeten alle voedingscircuits worden losgekoppeld.

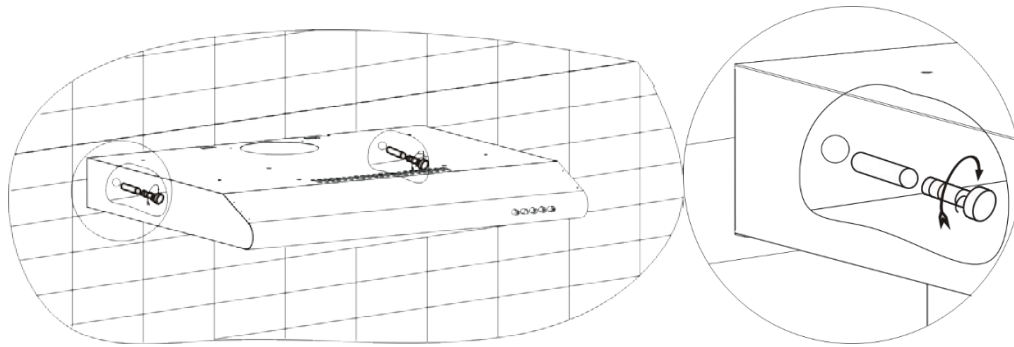
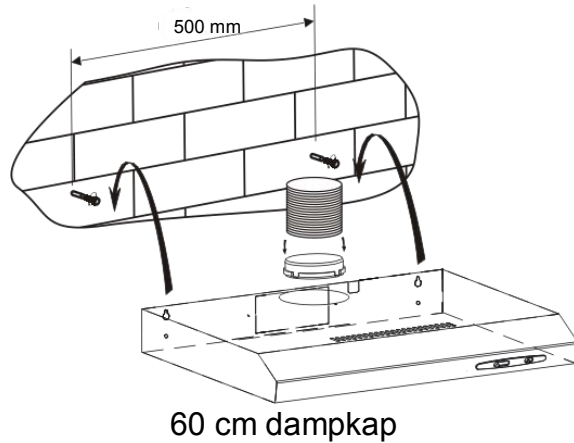
Het volgende moet u altijd doen:

- **Opgelet:** Tijdens de werking kunnen het apparaat en de toegankelijke delen ervan erg heet worden. Let op wanneer u de verwarmingselementen aanraakt. Kinderen jonger dan 8 jaar moeten uit de buurt blijven, tenzij zij onder voortdurend toezicht staan.
- Zorg voor voldoende ventilatie van de kamer wanneer de dampkap gelijktijdig met toestellen die gas of andere brandstoffen verbranden wordt gebruikt.
- Er is brandgevaar als de reiniging niet conform met de instructies wordt gebruikt
- Respecteer de voorschriften wat de luchtafvoer betreft.
- Reinig uw apparaat regelmatig volgens de methode die in het hoofdstuk ONDERHOUD wordt gegeven.
- Omwille van de veiligheid mag u enkel een bevestigings- of montageschroef van dezelfde grootte gebruiken, zoals aanbevolen in de gebruikshandleiding.
- Raadpleeg het hoofdstuk over het onderhoud en de reiniging voor de details wat de methode en de frequentie van de reiniging betreft.
- Het schoonmaken en het onderhoud mag niet door kinderen worden uitgevoerd als zij niet onder toezicht staan.
- Wanneer de dampkap en toestellen gevoed met andere energie dan elektriciteit tegelijk in werking zijn, dan mag de onderdruk in de kamer niet meer dan 4 Pa ( $4 \times 10^{-5}$  bar) bedragen.
- **WAARSCHUWING:** Brandgevaar: stapel geen voorwerpen op de kookoppervlakken.
- U mag geen stoomreiniger gebruiken.
- Probeer **NOOIT** om brand met water te blussen, maar schakel het apparaat uit en bedek de vlam dan met bijvoorbeeld een deksel of een branddeken.

## **INSTALLATIE**

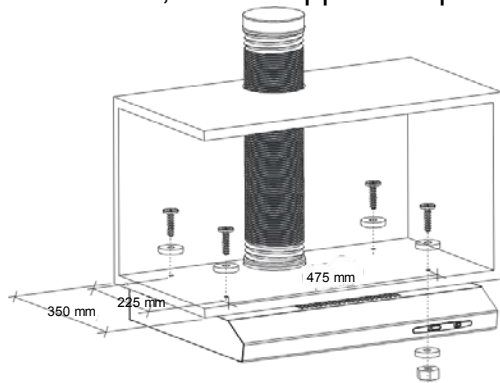
### **A. INSTALLATIE (montage op de muur)**

- (1) Bepaal de plaats van de gaten om de dampkap vast te maken.
- (2) Monteer de dampkap op de muur met 4 schroeven (4 x 30 mm)



### **B. INSTALLATIE (montage op een kast)**

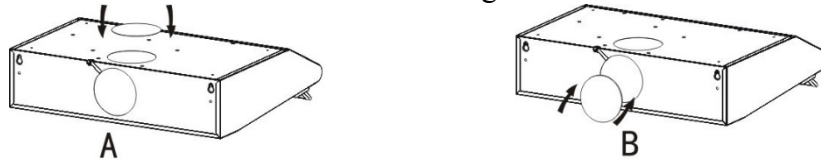
- (1) Monteer de dampkap op de kast met 4 schroeven (4x35 mm), 4 moeren en vlakke sluitringen. Bevestig de dampkap op de kast door de 4 schroeven en 4 vlakke sluitringen van de bovenkant van de kast naar de dampkap toe te steken. Vanbinnen in de dampkap steekt u dan de vlakke sluitring en de moer door de schroef, om het apparaat op de kast te houden.



Geluid: Er zijn 2 methoden voor de ventilatie: 'horizontale ventilatie' en 'verticale ventilatie'. Besteed aandacht aan de ventilatiemethode wanneer u de installatie uitvoert.

Horizontale ventilatie: Zie afb. 4A, gebruik de afdekking om de uitlaat aan de bovenkant af te dekken. Zo kan de lucht aan de achterkant worden afgevoerd.

Verticale ventilatie: Zie afb. 4B, gebruik de afdekking om de uitlaat aan de achterkant af te dekken. Zo kan de lucht aan de bovenkant worden afgevoerd.

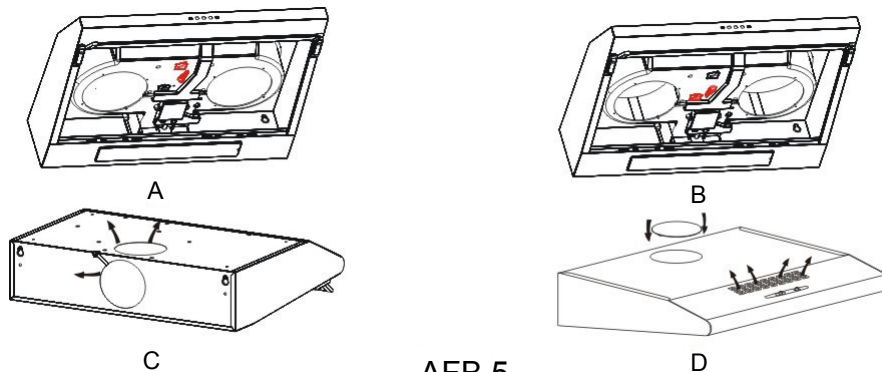


AFB 4

### Instelling van de luchtventilatie

Luchtventilatie van buiten: Zet de instelling op de stand buiten (afb. 5A), installeer de uitlaat en zet de dampkap aan. Nu wordt de lucht van buiten geventileerd.

Luchtventilatie van binnen: Zet de instelling op de stand binnen (afb. 5B), installeer de afdekking van de uitlaat en zet de dampkap aan. Nu kan de lucht van binnen worden geventileerd.



AFB 5

WAARSCHUWING:



- Omwille van de veiligheid mag u enkel een bevestigings- of montageschroef van dezelfde grootte gebruiken, zoals aanbevolen in de gebruikshandleiding.
- Wanneer de schroeven of de bevestiging niet volgens deze instructies is geïnstalleerd, kan dit elektrische gevaren met zich meebrengen.

### Uw dampkap gebruiken **Schakelaar**

Er zijn 3 snelheden voor de motor en een aan/uit-schakelaar voor de lamp. Verschuif de schakelaar om die te bedienen.

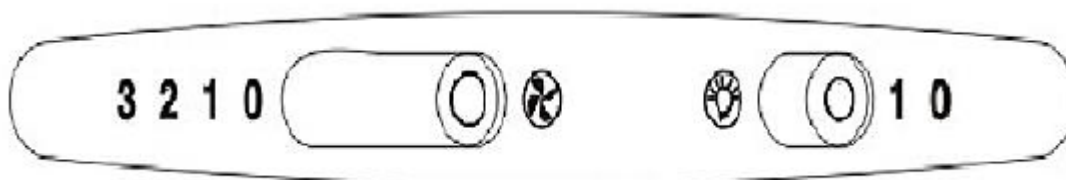
Werking van de motor



- 0- uit
- 1- Instelling laag vermogen
- 2- Instelling medium vermogen
- 3- Instelling hoog vermogen

Werking van de lamp

- 0- Uit
- 1- Aan



## **PROBLEMEN OPLOSSEN**

<b>Fout</b>	<b>Mogelijke oorzaak</b>	<b>Oplossing</b>
Lamp aan, maar de motor werkt niet	Schakelaar van de ventilator staat uit	Selecteer een schakelstand voor de ventilator.
	Schakelaar van de ventilator werkt niet	Neem contact op met de onderhoudsdienst.
	Motor werkt niet	Neem contact op met de onderhoudsdienst.
Lamp werkt niet, motor werkt niet	Zekeringen van de woning doorgeslagen	Reset/vervang de zekeringen.
	Voedingssnoer los of ontkoppeld	Sluit het snoer opnieuw op de vermogenuitgang aan. Schakel de vermogenuitgang in.
Er lekt olie	Terugslagklep en uitgang zijn niet goed gedicht	Neem de terugslagklep weg en dicht met dichtmiddel.
	Lekken uit de aansluiting van de dampafvoerpijp en afdekking	Neem de dampafvoerpijp weg en dicht.
Lampen werken niet	Lampje gebroken/defect	Vervang de lampjes volgens de instructies.
Onvoldoende zuigkracht.	De afstand tussen de dampkap en het werkblad van het fornuis is te groot	Plaats de dampkap opnieuw op de juiste afstand.
De dampkap hangt scheef	De bevestigingsschroef is onvoldoende aangehaald	Haal de ophangschroef aan en breng de kap horizontaal.

### **OPMERKING:**

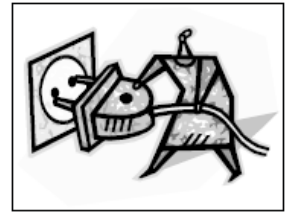


Elektrische reparaties van dit toestel moeten in overeenstemming zijn met de plaatselijke, nationale en federale wetten. Neem contact op met de onderhoudsdienst in geval van twijfel voordat u bovenstaande stappen uitvoert. Haal de stekker altijd uit het stopcontact wanneer u de groep opent.

## **ONDERHOUD EN REINIGING**

### **Voorzichtig:**

- Voordat u onderhoud of een reiniging uitvoert, moet de dampkap van het elektriciteitsnet worden losgekoppeld. Zorg ervoor dat de dampkap uit staat en dat de stekker uit het stopcontact is gehaald.
- Externe oppervlakken zijn gevoelig voor krassen en schuursporen. Volg de reinigingsinstructies correct op om de beste resultaten te verzekeren zonder dat er schade optreedt.



### **ALGEMEEN**

De reiniging en het onderhoud dient men uit te voeren wanneer het apparaat koud is, vooral om te reinigen. Vermijd om alkalische of zure stoffen (citroensap, azijn, enz.) op de oppervlakken te laten.

### **ROESTVRIJ STAAL**

Roestvrij staal moet regelmatig worden gereinigd (vb. elke week) om een lange levensduur te verzekeren. Droog af met een zuivere, zachte doek. U mag een speciale reinigingsvloeistof voor roestvrij staal gebruiken.

#### **OPMERKING:**

Zorg ervoor dat u mee in de polijstrichting van het roestvrij staal veegt, om te vermijden dat ontsierende, kruisgewijze kraspatronen verschijnen.

### **OPPERVLAK VAN HET BEDIENINGSPANEEL**

Het ingebouwde bedieningspaneel kan met een warm zeepsopje worden schoongemaakt. Zorg ervoor dat de doek schoon is en goed uitgewrongen voordat u gaat schoonmaken. Gebruik een droge, zachte doek om overtollig vocht weg te nemen na het reinigen.

## Belangrijk

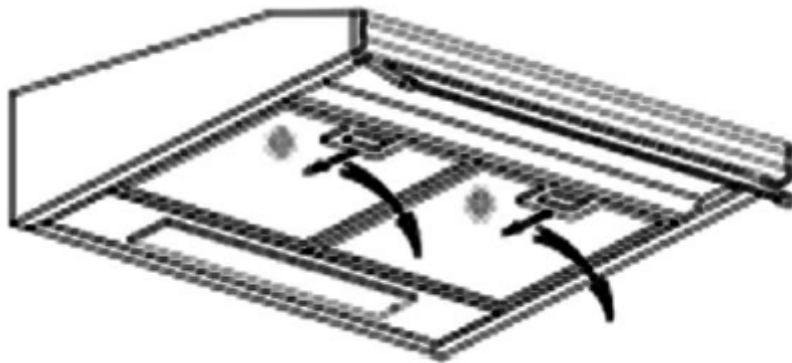
Gebruik neutrale schoonmaakproducten en vermijd om sterke chemische reinigingsmiddelen en sterke huishoudelijke schoonmaakproducten te gebruiken die schuurmiddelen bevatten, omdat die het uiterlijk van het apparaat aantasten en eventuele sieropdruk van het bedieningspaneel verwijderen. Bovendien vervalt hierdoor de garantie van de fabrikant.

## VETFILTERS MET MAZEN

De filters kunnen handmatig worden gereinigd. Week ze ongeveer 3 minuten in water met een vetoplossend product en borstel ze dan voorzichtig af met een zachte borstel. Gelieve niet teveel druk uit te oefenen, vermijd om de filter te beschadigen. (Laat op natuurlijke wijze drogen, niet in rechtstreeks zonlicht)

De filters moeten gescheiden van vaatwerk en keukengerei worden gewassen. Het is aanbevolen om geen spoelmiddel te gebruiken.

- Verwijder de filters volgens de instructies in onderstaande afbeelding.
- Gebruik geen schurend schoonmaakmiddel omdat dit de dampkap zal beschadigen.



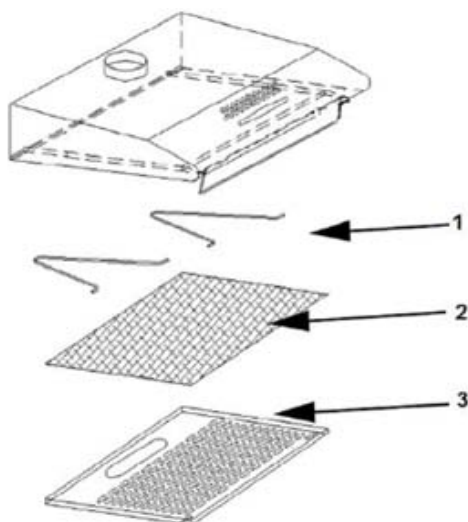
## VETFILTERS MET MAZEN INSTALLEREN

- Volg de vier onderstaande stappen om de filters te installeren.
  - Haak de filter in de gleuven aan de achterkant van de dampkap.
  - Duw op de knop van de hendel van de filter.
  - Laat de hendel los zodra de filter in een rustpositie is.
  - Herhaal om alle filters te installeren.

## KOOLSTOFFILTER

U kunt een geactiveerde koolstoffilter gebruiken om geuren op te vangen. Normaal moet de geactiveerde koolstoffilter elke drie tot zes maanden worden vervangen, in functie van uw kookgewoonten. De procedure om een geactiveerde koolstoffilter te installeren, staat hierna beschreven.

1. Verwijder de vetfilter.
2. Plaats de koolstoffilter op de vetfilter.
3. Zet de correct aangepaste koolstoffilter met de kleine staaldraad vast.
4. Installeer de vetfilter opnieuw.
5. Gebruik koolstoffilters alleen voor de recirculatiemodus.



1 Stalen hanger

2 Koolstoffilter

3 Vetfilter

### OPMERKING:

- Controleer of de filter veilig vastzit. Anders kan die loskomen en gevaar veroorzaken.
- Wanneer een actieve koolstoffilter is bevestigd, neemt het zuigvermogen af.

## LAMPJE VERVANGEN

<p><b>Belangrijk:</b></p> 	<ul style="list-style-type: none"> <li>✧ Het lampje moet door de fabrikant, diens onderhoudsagent of personen met gelijkaardige kwalificatie worden vervangen.</li> <li>✧ Schakel de elektrische voeding altijd uit voordat u werkzaamheden op het apparaat uitvoert. Wanneer u het lampje vastneemt, moet u controleren of het volledig is afgekoeld voordat er rechtstreeks contact met uw handen is.</li> <li>✧ Wanneer u lampjes vastneemt, moet u ze met een doek of met handschoenen vasthouden zodat er geen zweet met het lampje in contact kan komen. Dit kan immers de levensduur van het lampje verminderen.</li> </ul>
---	--

### Het lampje vervangen:

\*Voordat u lampjes gaat vervangen, moet u ervoor zorgen dat de stekker van het apparaat uit het stopcontact is gehaald.

\*Gebruik de schroevendraaier om de zelftappende schroef ST4\*8MM (2 stuks) van het verlichtingspaneel los te draaien; verwijder de fitting van de lamp. Open de eindklem die met de draad is verbonden, ontkoppel de draadconnector en vervang de lamp.

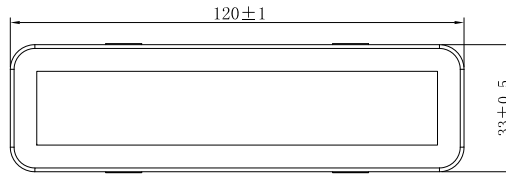
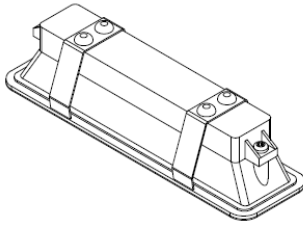
• De ILCOS D-code voor deze lamp is: **DBS-2/65-H-120/33**

– LED-modules – rechthoekige lamp


– Max wattage: 2 W

– Spanningsrange: AC 110-240V

– Afmetingen:



## **MILIEUBESCHERMING:**

	<p>Dit product is gemarkeerd met het symbool voor selectieve inzameling van elektronisch afvalmateriaal. Dit betekent dat dit product niet samen met huishoudafval mag worden weggegooid, maar ondersteund moet zijn door een systeem voor selectieve inzameling, conform met de richtlijn 2012/19/EU. Op die manier wordt het gerecycleerd of ontmanteld, om de gevolgen voor het milieu tot een minimum te herleiden. Elektrische en elektronische producten zijn potentieel gevaarlijk voor het milieu en voor de gezondheid van de mensen wegens de aanwezigheid van gevaarlijke stoffen. Neem met uw plaatselijke of regionale overheden contact op voor meer informatie.</p>
---	--

### **OPMERKING:**

Hierna wordt aangetoond hoe men de totale milieu-impact van het kookfornuis kan beperken (vb. energieverbruik).

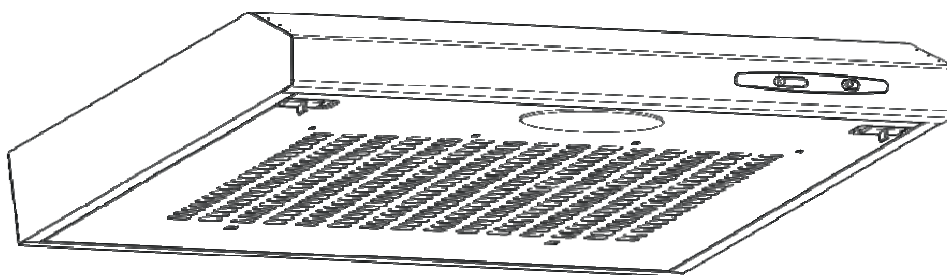
- (1) Installeer de dampkap op een geschikte plaats, waar er een efficiënte ventilatie is.
- (2) Reinig de dampkap regelmatig, zodat de luchtstroming niet geblokkeerd raakt.
- (3) Denk eraan dat u het lampje van de dampkap na het koken moet uitschakelen.
- (4) Denk eraan dat u de dampkap na het koken moet uitschakelen.

## **INFORMATIE VOOR HET ONTMANTELEN**

Het apparaat niet ontmantelen op een manier die niet in de gebruikshandleiding beschreven staat. Het apparaat kan niet door de gebruiker worden ontmanteld. Op het einde van de levensduur mag het apparaat niet bij het huishoudafval worden gedumpt. Raadpleeg uw plaatselijke overheid of de verdeler voor recyclageadvies.

# Hotă pentru aragaz

## Manual de instrucțiuni



# Cuprins

1 .....	Instrucțiuni de siguranță
2 .....	Instalare
3 .....	Începeți utilizarea hotei dvs. pentru aragaz
4 .....	Depanare
5 .....	Întreținere și curățare
6 .....	Protecția mediului

## **INSTRUCȚIUNI DE SIGURANȚĂ**

Acest manual explică modul corect de instalare și utilizare a hotei dvs. pentru aragaz, vă rugăm să îl citiți cu atenție înainte de utilizare, chiar dacă sunteți familiarizat cu produsul. Manualul trebuie păstrat la loc sigur pentru consultări viitoare.

### **Niciodată:**

- Nu încercați să utilizați plita pentru aragaz fără filtrele de grăsime sau dacă filtrele sunt excesiv de pline de grăsime!
- Nu instalați deasupra unui aragaz cu un nivel înalt de frigere.
- Nu lăsați tigăile nesupravegheate în timpul utilizării, deoarece grăsimea sau uleiurile supraîncălzite pot lua foc.
- Nu lăsați flacăra deschisă sub plita pentru aragaz.



- Dacă plita pentru aragaz se deteriorează, nu încercați să o utilizați.
- Nu flambați sub plita pentru aragaz.
- **ATENȚIE:** Piesele accesibile se pot încălzi în timpul utilizării cu aparatele pentru gătit.
- Distanța minimă între suprafața de sprijin pentru vasele de gătit de pe plită și partea cea mai inferioară a plitei. (Atunci când hota pentru aragaz este situată deasupra unui dispozitiv cu gaz, această distanță va fi de cel puțin 65 cm)
- Aerul nu trebuie eliberat spre coșul utilizat pentru evacuarea gazelor provenite de la aparate care funcționează cu gaz sau alți combustibili.



### **Întotdeauna:**

- **Important!** Opriți întotdeauna alimentarea cu curent de la priză în timpul instalării și întreținerii, cum ar fi înlocuirea unui bec.

- Plita pentru aragaz trebuie instalată în conformitate cu instrucțiunile de instalare și toate măsurătorile urmate.
- Toate lucrările de instalare trebuie efectuate de o persoană competentă sau un electrician calificat.
- Vă rugăm să eliminați cu atenție materialul de ambalat. Copiii sunt vulnerabili la acesta.
- Fiți atenți la marginile ascuțite din interiorul plitei pentru aragaz, în special în timpul instalării și curățării.
- Atunci când plita pentru aragaz este situată deasupra unui aparat care funcționează cu gaz, distanța minimă dintre suprafața de sprijin pentru vasele de gătit de pe plită și partea cea mai inferioară a hotei trebuie să fie:  
Aragazuri cu gaz: 75 cm  
Aragazuri electrice: 65 cm  
Aragazuri cu cărbune sau ulei: 75 cm
- Asigurați-vă că tubulatura nu este îndoită în unghiuri mai ascuțite de 90 de grade, întrucât acest lucru va reduce eficiența hotei pentru aragaz.
- **Avertisment:** Nereușita de a instala șuruburile sau dispozitivul de fixare în conformitate cu aceste instrucțiuni poate duce la pericole de natură electrică



## Întotdeauna:

- Puneți capacele deasupra oalelor și tigăilor atunci când gătiți pe un aragaz care funcționează cu gaz.
- În modul de extracție, aerul din cameră este eliminat prin plita pentru aragaz. Asigurați-vă că se implementează măsuri adecvate de aerisire. Hota pentru aragaz elimină mirosurile din cameră, dar nu și aburul.
- Hota pentru aragaz este strict de uz casnic.



- Dacă cablul de alimentare este deteriorat, acesta trebuie înlocuit de către producător, agentul său de service sau persoane cu calificări similare pentru a evita pericolele.
- Acest aparat poate fi utilizat de către copiii cu vârste de minim 8 ani și de către persoanele cu capacități fizice, senzoriale sau mentale reduse sau cu lipsă de experiență sau cunoștințe cu condiția să fie supravegheate sau instruite corespunzător privind modul de utilizare a acestui aparat în mod sigur și să înțeleagă pericolele implicate. Copiii nu se vor juca cu aparatul. Curățarea și întreținerea de către utilizator nu vor fi efectuate de copii fără supraveghere.



- Avertisment: Înainte de a obține accesul la terminale, trebuie deconectate toate circuitele de alimentare.

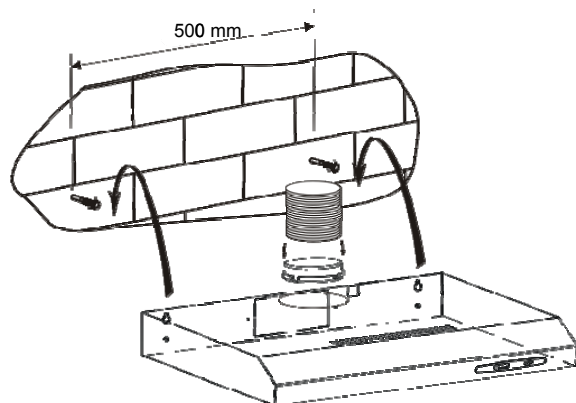
## Întotdeauna:

- Atenție: Aparatul și piesele sale accesibile se pot înfierbânta în timpul funcționării. Fiți atenție să evitați atingerea elementelor care se încălzesc. Copiii cu vârste mai mici de 8 ani trebuie să se ferească, cu condiția să fie sub supraveghere permanentă.
- Trebuie să existe aerisirea adecvată a camerei atunci când se utilizează hota pentru aragaz în același timp cu aparatele care ard gaz sau alți combustibili.
- Există riscul de incendiu dacă curățarea nu este efectuată în conformitate cu instrucțiunile
- Regulamentele privind eliminarea aerului trebuie satisfăcute.
- Curățați aparatul periodic urmând metoda descrisă în capitolul ÎNTREȚINERE.
- Din motive de siguranță, vă rugăm să utilizați șuruburi de fixare sau instalare de aceeași dimensiune, care sunt recomandate în acest manual de instrucțiuni.
- În ceea ce privește detaliile despre metoda și frecvența curățării, vă rugăm să consultați secțiunea de întreținere și curățare a acestui manual de instrucțiuni.
- Curățarea și întreținerea de către utilizator nu vor fi efectuate de copii fără supraveghere.
- Atunci când hota pentru aragaz și aparatele alimentate cu energie diferită de curent funcționează simultan, presiunea negativă a camerei nu trebuie să depășească 4 Pa ( $4 \times 10^{-5}$  bari).
- AVERTISMENT: Pericol de incendiu: nu depozitați articolele pe suprafețele de gătit.
- Nu trebuie utilizat un dispozitiv de curățat cu aburi.
- Nu încercați NICIODATĂ să stingeți un incendiu cu apă, ci opriți aparatul și apoi acoperiți flacăra, de ex., cu un capac sau o pătură ignifugă.

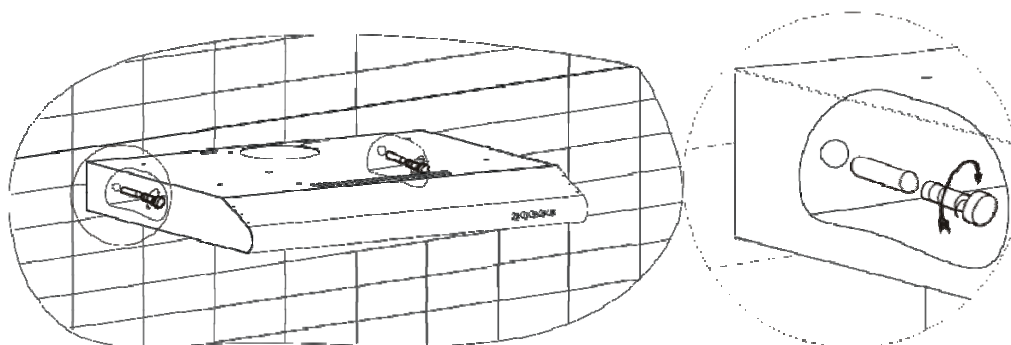
## **INSTALARE**

### **A. INSTALARE (Montare pe perete)**

- (1) Decideți locația orificiilor pentru fixarea hotei pentru aragaz.
- (2) Montați hota pentru aragaz pe perete cu 4 șuruburi (4x30mm)

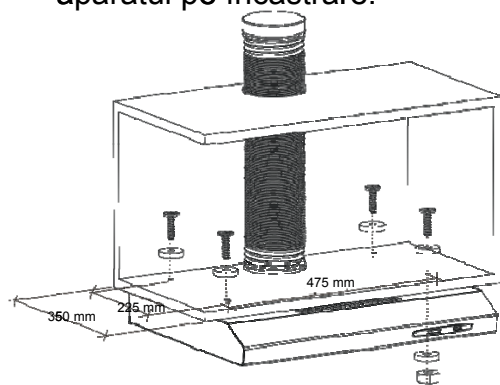


Hotă pentru aragaz 60cm



### **B. INSTALARE (Montare încastată)**

- (1) Montați hota pentru aragaz în încastrare cu 4 șuruburi (4x35mm), 4 piulițe și șaibe plate. Fixați hota pe încastrare prin trecerea celor 4 șuruburi și 4 șaibe plate prin partea de sus a acesteia spre hota pentru aragaz. Apoi, în interiorul hotei pentru aragaz, treceți șaiba plată și piulița prin șurub pentru a susține aparatul pe încastrare.



Hotă pentru aragaz 60cm

Notă: Există 2 metode de aerisire, inclusiv „aerisire pe orizontală” și „aerisire pe verticală”. Fiți atenți la metoda de aerisire atunci când instalați.

Aerisirea pe orizontală: Consultați imaginea 4A, utilizați capacul pentru a etanșa evacuarea din partea de sus, apoi aerul poate fi eliminat prin partea din spate.

Aerisirea pe verticală: Consultați imaginea 4B, utilizați capacul pentru a etanșa evacuarea din spate, apoi aerul poate fi eliminat prin partea de sus.

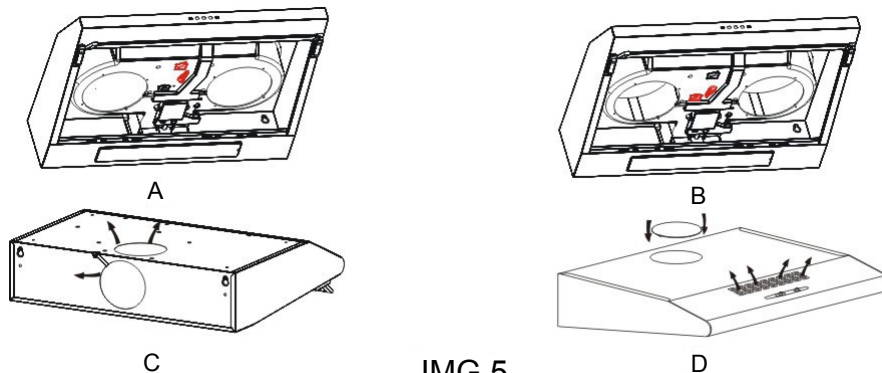


IMG 4

### Configurarea aerisirii

Aerisirea în exterior: Rotiți dispozitivul de reglare pe poziția spre exterior (img.5A), instalați evacuarea, porniți hota pentru aragaz, apoi aerul va fi ventilat spre evacuarea de exterior.

Aerisirea în interior: Rotiți dispozitivul de reglare pe poziția spre interior (img.5B), instalați capacul evacuării, porniți hota pentru aragaz, apoi aerul poate fi ventilat spre evacuarea de interior.



IMG 5

AVERTISMENT:



- Din motive de siguranță, vă rugăm să utilizați șuruburi de fixare sau instalare de aceeași dimensiune, care sunt recomandate în acest manual de instrucțiuni.
- Nereușita de a instala șuruburile sau dispozitivul de fixare în conformitate cu aceste instrucțiuni poate duce la pericole de natură electrică.

### Începeți utilizarea hotei dvs. pentru aragaz

#### Comutatorul

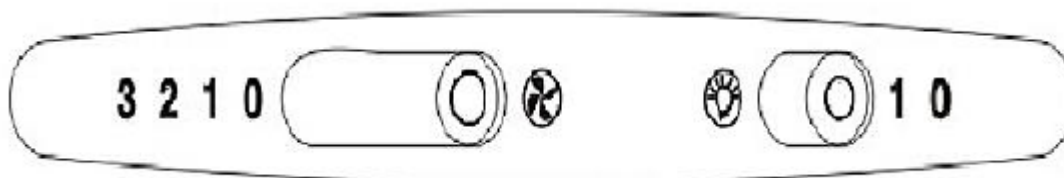
Motorul are 3 viteze și comutator de pornire/oprire pentru bec. Glisați comutatorul pentru punerea în funcțiune.

Funcționarea motorului

- 0- oprire
- 1- Setare de energie scăzută
- 2- Setare de energie medie
- 3- Setare de energie crescută

Funcționarea becului

- 0- Oprit
- 1- Pornit



## **DEPANARE**

<b>Eroare</b>	<b>Cauză posibilă</b>	<b>Soluție</b>
Lumina se aprinde, dar motorul nu funcționează	Comutatorul ventilatorului este oprit	Selectați o poziție a comutatorului ventilatorului.
	Comutatorul ventilatorului nu pornește	Contactați centrul de service.
	Motorul nu funcționează	Contactați centrul de service.
Lumina nu funcționează, motorul nu funcționează	Siguranțele casei au sărit	Resetați/Înlocuiți siguranțele.
	Cablul de alimentare e slăbit sau deconectat	Repoziționați cablul la priză. Porniți alimentarea.
Scurgere de ulei	O supapă unidirecțională și evacuarea nu sunt strânse	Scoateți supapa unidirecțională și sigilați cu agent de etanșare.
	Scurgere din conexiunea cu coșul și capacul	Demontați coșul și etanșați.
Luminile nu funcționează	Becuri defecte/sparte	Înlocuiți becurile conform acestei instrucțiuni.
Aspirație insuficientă	Distanța dintre hota pentru aragaz și partea superioară a aragazului este prea mare	Repoziționați hota pentru aragaz pentru a corecta distanța.
Hota pentru aragaz se înclină	Șurubul de fixare nu este suficient de strâns	Strângeți șurubul de agățare și puneți-l pe poziție orizontală.

### **NOTĂ:**



Orice reparații electrice aduse acestui aparat trebuie să fie conforme legislației dvs. locale, de stat și federale. Vă rugăm să contactați centrul de service dacă aveți îndoieli înainte de a întreprinde oricare dintre cele de mai sus. Deconectați întotdeauna unitatea de la sursa de alimentare când deschideți unitatea.

## **Întreținere și curățare**

### **Atenție:**

- Înainte de efectuarea lucrărilor de întreținere sau curățare, hota pentru aragaz trebuie deconectată de la alimentarea cu curent. Asigurați-vă că hota pentru aragaz este oprită de la priza de pe perete și că ștecărul este scos.
- Suprafețele externe sunt susceptibile la zgârieturi și abraziuni, astfel că vă rugăm să urmați instrucțiunile de curățare pentru a vă asigura că se ating cele mai bune rezultate posibile fără deteriorări.



## **INFORMAȚII GENERALE**

Curățarea și întreținerea trebuie efectuate cu aparatul rece, în special curățarea. Evitați să lăsați substanțele alcaline sau acide (suc de lămâie, oțet etc.) pe suprafețe.

## **INOX**

Inoxul trebuie curățat periodic (de ex., săptămânal) pentru a garanta o lungă durată de viață. Uscați cu o lavetă curată moale. Trebuie utilizat un lichid de curățare special pentru inox.

### **NOTĂ:**

Asigurați-vă că ștergerea se face de-a lungul granulației inoxului pentru a preveni apariția oricăror tipare de zgâriere încrucișată neprezentabile.

## **SUPRAFAȚA PANOULUI DE CONTROL**

Panoul de control încorporat poate fi curățat utilizând apă caldă cu săpun. Asigurați-vă că laveta este curată și bine stoarsă înainte de curățare. Utilizați o lavetă moale pentru a elimina orice exces de umezeală lăsat după curățare.

## Important

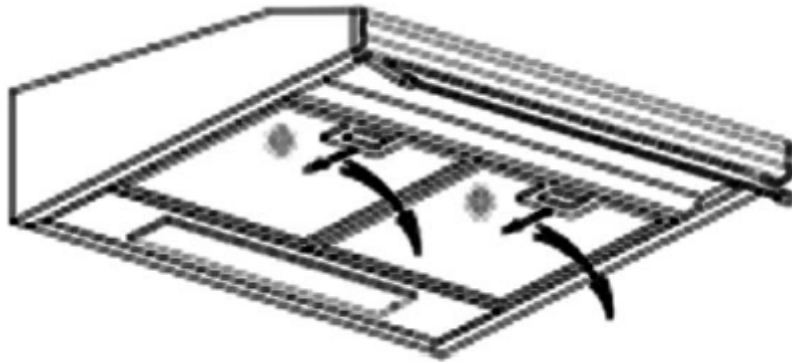
Utilizați detergenți neutri și evitați utilizarea substanțelor chimice de curățare dure, a detergenților domestici puternici sau a produselor care conțin abrazivi, întrucât acest lucru va afecta aspectul aparatului și potențial elimină orice lucrare decorativă imprimată de pe panoul de control și va anula garanția producătorului.

## FILTRELE PLASĂ DE GRĂSIMI

Filtrele se pot curăța manual. Înmuiați-le timp de aproximativ 3 minute în apă cu un detergent de curățare a grăsimii apoi periați-le ușor cu o perie moale. Nu aplicați prea multă presiune, evitați să le deteriorați. (Lăsați-le la uscat direct la lumina soarelui)

Filtrele trebuie spălate separat de tacâmuri și ustensile de bucătărie. Se recomandă să nu utilizați un mijloc de clătire.

- Scoaterea filtrelor conform instrucțiunilor în imaginea de mai jos.
- Vă rugăm să nu utilizați detergenți abrazivi pentru că veți deteriora carcasa.



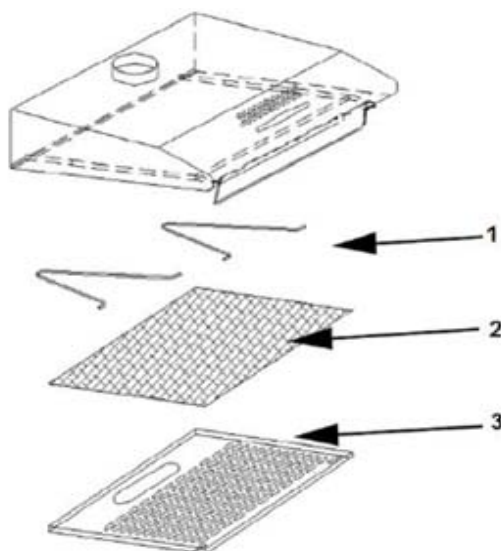
## INSTALARE FILTRELOR PLASĂ DE GRĂSIMI

- Pentru a instala filtrele pentru următorii patru pași.
  - Înclinați filtrul în unghi în fantele din spatele hotei.
  - Apăsăți butonul de pe mânerul filtrului.
  - Eliberați mânerul după ce filtrul este fixat pe poziția statică.
  - Repetați pentru a instala toate filtrele.

## FILTRU CU CARBON

Filtrul cu carbon activ poate fi utilizat pentru a capta mirosurile. Filtrul cu carbon activat normal trebuie schimbat la trei sau șase luni conform uzanței dvs. de gătit. Procedura de instalare a filtrului cu carbon active este descrisă mai jos.

1. Scoateți filtrul pentru grăsime.
2. Puneți filtrul carbon pe filtrul pentru grăsime.
3. Fixați filtrul cu carbon ajustat corect cu firul din oțel mic.
4. Reinstalați filtrul pentru grăsime.
5. Utilizați filtrele cu carbon numai pentru modul de recirculare.



1 Suport din oțel


2 Filtru cu carbon

3 Filtru pentru grăsime

### NOTĂ:

- Asigurați-vă că filtrul este fixat. În caz contrar, acesta se va slăbi și va provoca pericole.
- La activarea filtrului cu carbon atașat, puterea de aspirație va fi scăzută.

## ÎNLOCUIREA BECULUI

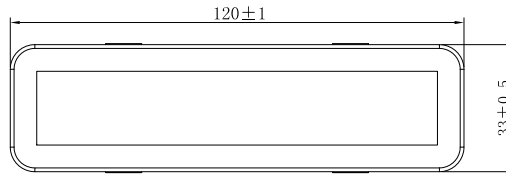
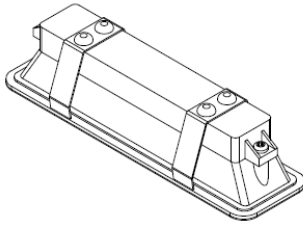
<p>Important:</p> 	<ul style="list-style-type: none"> <li>✧ Becul trebuie înlocuit de producător, agentul său de service sau persoane calificate similar.</li> <li>✧ Opriți întotdeauna alimentarea cu curent înainte de a efectua orice operație asupra aparatului. La manipularea becului, asigurați-vă că este complet rece înainte de orice contact direct cu mâinile.</li> <li>✧ La manipularea becurilor, țineți cu o cârpă sau mănuși pentru a garanta că transpirația nu intră în contact cu becul, deoarece acest lucru poate reduce durata de viață a becului.</li> </ul>
---	--

### Schimbarea luminii:


\*Înainte de a schimba luminile, asigurați-vă că aparatul este deconectat.

\*Utilizați șurubelnița pentru a slăbi șurubul autofiletant ST4\*8MM (2 buc.) din panoul de control, scoateți montura luminilor. Deschideți caseta terminală conectată cu cablul, deconectați conectorul cablului și înlocuiți becul.

- **Codul ILCOS D pentru acest bec este: DBS-2/65-H-120/33**
- Modulele LED –bec rectangular
- Tensiune maximă: 2 W
- Interval de tensiune: c.a. 110-240V
- Dimensiuni:



## **PROTECTIA AMBIENTALĂ:**

	<p>Acest produs este marcat cu simbolul privind sortarea selectivă a deșeurilor de echipamente electronice. Aceasta înseamnă că acest produs nu trebuie eliminat împreună cu reziduurile menajere, dar trebuie să fie susținut de un sistem de colectare selectivă în conformitate cu Directiva 2012/19/UE. Atunci va fi reciclat sau demontat pentru a reduce impacturile asupra mediului, produsele electrice și electronice sunt potențial periculoase pentru mediu și sănătatea omului datorită prezenței substanțelor periculoase. Pentru mai multe informații, vă rugăm să contactați autoritățile dvs. locale sau regionale.</p>
---	---

### **NOTĂ:**

Următoarele indică modul în care reduce impactul total asupra mediului (de ex., consumul de energie) al procesului de gătit.

- (1) Instalați hota pentru aragaz într-un loc unde există o aerisire eficientă.
- (2) Curățați hota pentru aragaz periodic, astfel încât să nu blocați aerisirea.
- (3) Nu uitați să opriți lumina hotei pentru aragaz după gătire.
- (4) Nu uitați să opriți hota pentru aragaz după gătire.

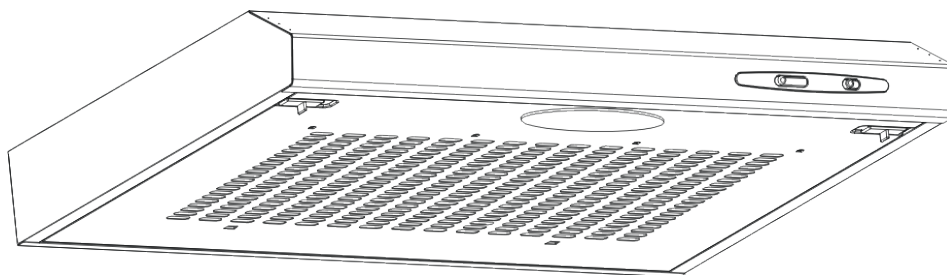
## **INFORMAȚII PENTRU DEMONTARE**

Nu demontați aparatul într-un mod care nu este ilustrat în manual. Aparatul nu poate fi demontat de utilizator. La sfârșitul duratei de viață, aparatul nu trebuie eliminat împreună cu reziduurile menajere. Verificați cu Autoritatea locală sau distribuitorul pentru informații de reciclare.



# Kuhane jedi

## Navodila za uporabo



## Vsebina

1 .....	Varnostnanavodila
2 .....	Namestitev
3 .....	Začetekporabe vaših kuhinjske nape
4 .....	Odpravljanje težav
5 .....	Vzdrževanje in čiščenje
6 .....	Varstvo okolja

## VARNOSTNA NAVODILA

V teh navodilih smo opisali pravilno namestitev in uporabo vaše kuhinjske nape. Prosimo vas, da jih natančno preberete, tudi če izdelek že poznate. Navodila shranite na varno mesto, kjer bodo na voljo za kasnejšo uporabo.

### Nikoli ne:

- Ne uporabljajte kuhinjske nape brez maščobnega filtra, ali če je na filtru preveč maščobe!
- Ne nameščajte je nad štedilnik z žarom na visokem nivoju.
- Ne puščajte ponev, v katerih cvrete jedi, brez nadzora, ker lahko razgreta maščoba ali olja zagorijo.
- Nikoli ne puščajte odprtega ognja pod napo.



- Če je kuhinjska napa poškodovana, je ne uporabljajte.
- Pod kuhinjsko napo ne flambirajte.
- **PREVIDNO:** Dostopni deli se lahko med uporabo kugalnika močno segrejejo.
- Minimalna razdalja med površino kugalnika, na katero postavite posodo, in najnižji del nape. (Če je kuhinjska napa nad plinskim štedilnikom, mora biti ta razdalja najmanj 65 cm)
- Zrak ne sme biti speljan v dimno cev, ki se uporablja za izpuh plinskih naprav ali naprav na druga goriva.



### Vedno:

- Pomembno! Med nameščanjem in vzdrževalnimi deli, kot je na primer tudi menjava žarnice, vedno izklopite električno napajanje.
- Kuhinjsko napo morate namestiti v skladu z navodili za namestitev in nadaljnjimi ukrepi.
- Celotno namestitev lahko opravi samo kompetentna oseba oz. strokovno usposobljen električar.
- Prosimo vas, da embalažo previdno odložite med odpadke. Lahko predstavlja nevarnost za otroke.
- Bodite pozorni na ostre robove kuhinjske nape, zlasti med nameščanjem in čiščenjem.
- Če je kuhinjska napa nad plinskim štedilnikom, je minimalna razdalja med površino štedilnika, na katero postavite posodo, in najnižjim delom kuhinjske nape:

Plinski štedilnik:	75 cm
Električni štedilnik:	65 cm
Štedilnik na premog ali olje:	75 cm
- Zagotovite, da napeljava ne bo imela ostrejših kotov od 90 stopinj, ker bi bila učinkovitost kuhinjske nape močno zmanjšana.
- **POZOR:** Če vijakov ali delov za pritrditev ne namestite v skladu z navodili, obstaja električna nevarnost

## Vedno:

- Če kuhate na plinskem štedilniku, posode in ponve pokrijte s pokrovko.
- Ko je v načinu odvajanja, kuhinjska napa odstranjuje zrak iz prostora. Ne pozabite na ustrezno zračenje. Kuhinjska napa s prostora odstrani vonjave, ne pa tudi pare.
- Kuhinjska napa je primerna samo za uporabo v gospodinjstvih.



- Če je električni kabel poškodovan, ga mora zamenjati proizvajalec, serviser ali podobno kvalificirana oseba, da preprečite morebitne nevarnosti.
- Ta aparat lahko uporabljajo otroci, starejši od 8 let, ter osebe z zmanjšanimi fizičnimi, senzoričnimi ali umskimi sposobnostmi ali s pomanjkljivimi izkušnjami in znanjem, vendar samo pod ustreznim nadzorom ali če imajo navodila za varno uporabo naprave in če razumejo morebitne nevarnosti. Otroci naj se z aparatom ne igrajo. Brez nadzora otroci nape ne smejo čistiti in na njej ne smejo izvajati vzdrževalnih del.



- **POZOR:** Preden dostopate do terminalov, morate izključiti vsa napajanja.

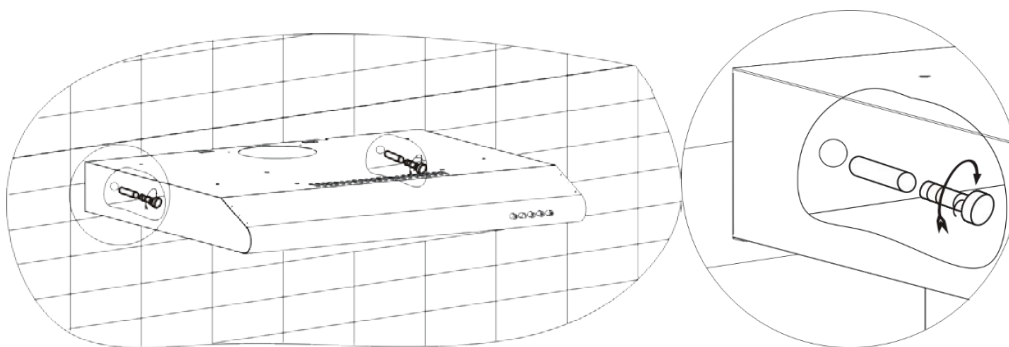
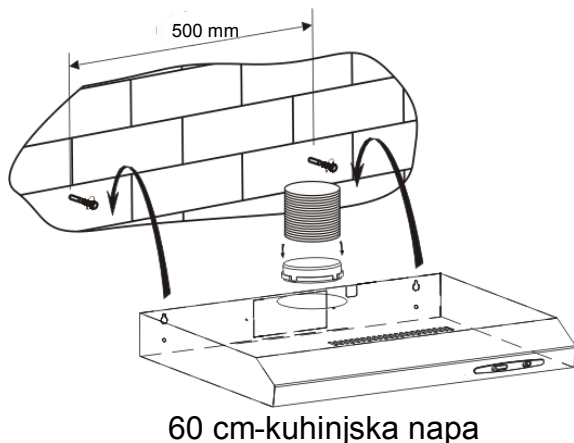
## Vedno:

- **Pozor:** Napa in njeni dostopni deli se med delovanjem močno segrejejo. Bodite pozorni in ne dotikajte se vročih delov. Otroci, mlajši od 8 let, ne smejo biti v bližini kuhinjske nape, razen pod stalnim nadzorom.
- V prostoru mora biti zagotovljeno primerno zračenje, če kuhinjsko nabo uporabljate hkrati s štedilnikom na plin ali na drugo gorivo.
- Obstaja nevarnost požara, če nape ne čistite v skladu z navodili
- Odvod zraka mora biti urejen v skladu s pravili.
- Nape redno čistite, pri čemer pa upoštevajte navodila v poglavju VZDRŽEVANJE.
- Iz varnostnih razlogov uporabljajte vijake za pritrditev ali montažo, ki jih priporočamo v navodilih za uporabo.
- Podrobnosti načina in časovni intervali čiščenja so predstavljeni v poglavju o vzdrževanju in čiščenju v navodilih za uporabo.
- Brez nadzora otroci nape ne smejo čistiti in na njej ne smejo izvajati vzdrževalnih del.
- Ko hkrati delujejo kuhinjska napa in kuhinjski aparati, ki se napajajo razen z elektriko tudi z drugo energijo, negativni tlak v prostoru ne sme preseči 4 Pa (4 x 10<sup>-5</sup> bar).
- **POZOR:** Nevarnost požara: ne hraniti stvari na kuhalni površini.
- Ne uporabljajte parnega čistilnika.
- **NIKOLI** ognja ne poskušajte pogasiti z vodo, ampak izklopite aparat in nato ogenj pokrijte npr. s pokrovom ali protipožarno odejo.

## Namestitev

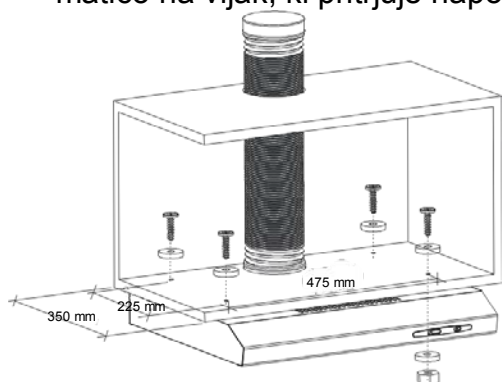
### A. NAMESTITEV (montaža na steno)

- (1) Izberite mesta, kjer bodo luknje za pritrditev kuhinjske nape.
- (2) Kuhinjsko nabo montirajte na steno s 4 vijaki (4 x 30 mm)



### B. NAMESTITEV (montaža na omarice)

- (1) Montirajte kuhinjsko nabo na omarico in sicer s 4 vijaki (4 x 35 mm), 4 maticami in ploskimi tesnili. Kuhinjsko nabo pritrdite na omarico s 4 vijaki in 4 ploskimi tesnili z vrha omarice na nabo. Potem znotraj nape namestite plosko tesnilo in matico na vijak, ki pritruje nabo na omarico.



Ne pozabite: Obstajata dva načina odzračevanja, vključno z 'vodoravnim odzračevanjem' in 'navpičnim odzračevanjem'. Prosimo vas, da ste med nameščanjem nape pozorni na odzračevanje.

Vodoravno odzračevanje: Glej sl. 4 A, uporabite pokrov, da zatesnite izhod na vrhu, nato se bo zrak lahko odvajal od zadaj.

Navpično odzračevanje: Glej sl. 4B, uporabite pokrov, da zatesnite izhod na vrhu, nato se bo zrak lahko odvajal z vrha.

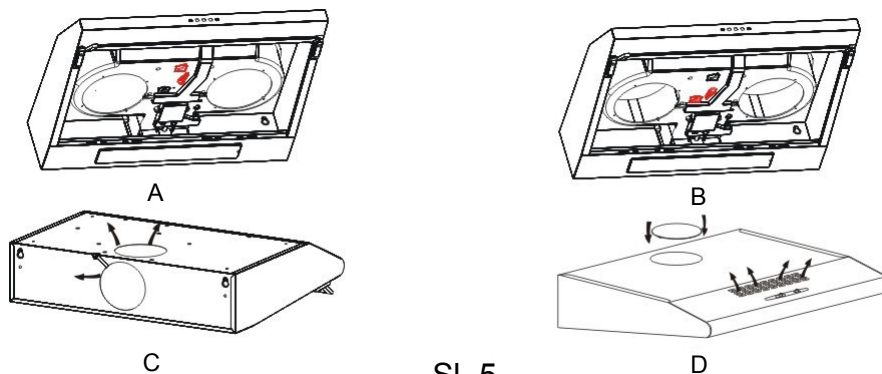


Sl. 4


### Nastavitve odzračevanja

Zunanje odzračevanje: Stikalo namestite na zunanje odzračevanje (sl. 5 A), namestite izhod, vklopite napo in zrak bo speljan ven skozi odvod.

Notranja ventilacija: Stikalo namestite na notranjo ventilacijo (sl. 5B), namestite pokrov izhoda, vklopite napo in zrak bo speljan skozi notranji odvod.



Sl. 5

POZOR: 	<ul style="list-style-type: none"> <li>➤ Iz varnostnih razlogov uporabljajte vijake za pritrditev ali montažo, ki jih priporočamo v navodilih za uporabo.</li> <li>➤ Če vijakov ali delov za pritrditev ne namestite v skladu z navodili, obstaja električna nevarnost</li> </ul>
---	---

## Začetek uporabe vaše kuhinjske nape

### **Klecno stikalo**

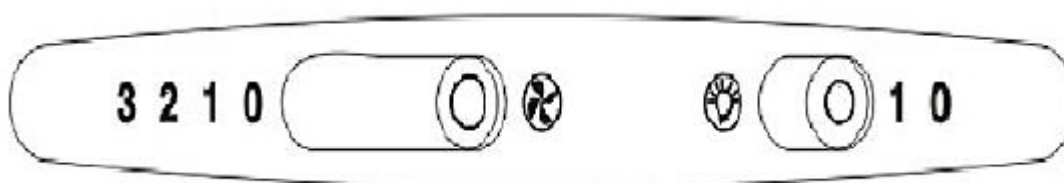
Za motor so na voljo 3 nastavitve motorja in stikalo za vklop in izklop luči.  
Za delovanje potisnite stikalo v zeleno smer.

Delovanje motorja

- 0- izklop
- 1- Izbira nizke moči
- 2- Izbira srednje moči
- 3- Izbira visoke moči

Delovanje luči

- 0- izklop
- 1- vklop



## ODPRAVLJANJE NAPAK

Napaka	Možen vzrok	Rešitev
Luč sveti, motor pa ne deluje	Stikalo ventilatorja izklopljeno	Izberite položaj stikala ventilatorja.
	Preklop ventilatorja ni uspel	Obrnite se na servisni center.
	Napaka motorja	Obrnite se na servisni center.
Luč ne deluje, motor tudi ne.	Napaka na varovalkah	Ponastavite/Zamenjajte varovalke.
	Električni kabel je izključen	Ponovno vključite kabel v električni vtič. Vklopite električno napetost.
Puščanje olja	Enosmerni ventil in izhod nista dobro zatesnjena	Vzemite enosmerni ventil in zatesnite s tesnilnim sredstvom.
	Puščanje povezave odvoda in pokrova	Zatesnite priključek odvoda.

Luči ne delujejo.	Okvarjene žarnice ali z napako	Zamenjajte žarnice po teh navodilih.
Nezadostno sesanje	Razdalja med kuhinjsko nabo in plinskim štedilnikom je prevelika	Nabo nastavite na pravilno razdaljo.
Kuhinjska napa se nagiba.	Vijaki za pritrditev niso dovolj pritrjeni	Pritrdite viseč vijak, da bo vodoraven.

### OPOMBA:



Vsa električna popravila aparata morajo biti skladna z lokalnimi, državnimi in zveznimi zakoni. V primeru dvomov se obrnite na servisni center preden začnete z deli. Vedno najprej izključite nabo iz električne napetosti, če jo odpirate.

## VZDRŽEVANJE IN ČIŠČENJE

### Pozor:

- Pred vzdrževalnimi deli ali čiščenjem je treba kuhinjsko nabo izključiti iz električnega napajanja. Kuhinjsko nabo izključite iz stenske vtičnice in vtič umaknite.
- Zunanje površine so občutljive na praske in odrgnine, zato upoštevajte navodila za čiščenje, da bo najboljši možen rezultat dosežen brez škode.



### SPLOŠNO

Čiščenje in vzdrževalna dela se smejo izvajati, ko je napa hladna, zlasti med čiščenjem. Na površini nape ne puščajte bazičnih ali kislih snovi (limonin sok, kis itd.).

### NERJAVNO JEKLO

Nerjavno jeklo je treba redno čistiti (npr. tedensko) za njegovo dolgo življenjsko dobo. Osušite s čisto mehko krpo. Uporabi se lahko posebna tekočina za nerjavno jeklo.

#### POZOR:

Pri brisanju nerjavnega jekla morate preprečiti neželene praske in spraskan videz.

### POVRŠINA NADZORNE PLOŠČE

Nadzorno ploščo lahko čistimo s toplo milnico. Krpa mora biti čista in dobro ožeta. Odvečno vlago po čiščenju odstranite z mehko čisto krpo.

### Pomembno

Čistite z nevtralnimi detergenti in ne uporabljajte ostrih kemikalij, močnih gospodinjskih detergentov ali abrazivnih izdelkov, ker lahko poškodujejo videz nape in potencialno lahko odstranijo natisnjene napise na nadzorni plošči in zaradi njih lahko preneha veljati garancija.

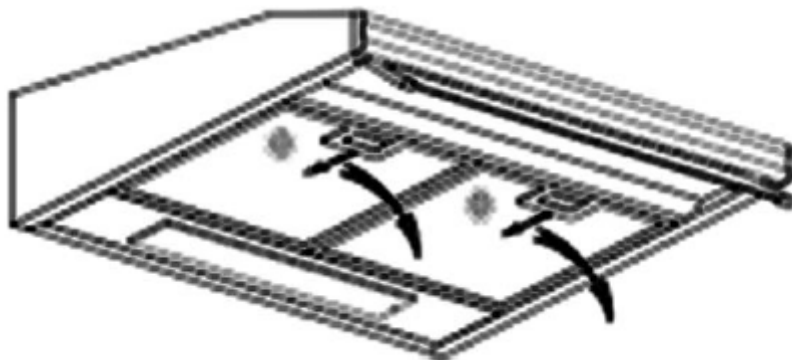


## MREŽASTI MAŠČOBNI FILTER

Mrežaste filtre lahko čistite ročno. Namočite za 3 minute v vodo z detergentom, ki topi maščobo, nato jih na rahlo skrtačite z mehko krtačo. Ko krtačite, ne pritiskajte preveč, ker boste napo poškodovali. (Posušite naravno, ne neposredno na soncu)

Filtre pomivajte ločeno od pribora in kuhinjske posode. Priporočamo, da ne uporabljate sredstev za izpiranje.

- Odstranite filtre kot je prikazano spodaj na sliki.
- Ne uporabljajte abrazivnih detergentov, ker lahko napo poškodujete.



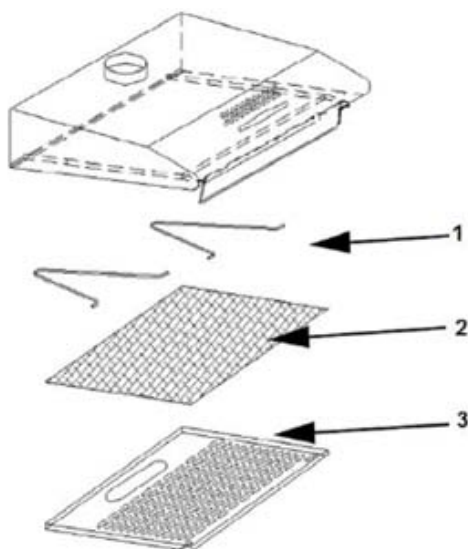
## NAMEŠČANJE MREŽASTEGA MAŠČOBNEGA FILTRA

- Filtre namestite v naslednjih korakih.
  - Namestite filtre v reže na zadnji strani nape.
  - Pritisnite gumb na ročaj filtra.
  - Sprostite ročaj, ko je filter nameščen na položaj.
  - Postopek ponovite za vse filtre.

## FILTER Z OGLJEM

Filter z aktivnim ogljem se lahko uporablja proti neprijetnim vonjem. Običajno je treba filter z ogljem zamenjati na tri ali šest mesecev, odvisno od kuharskih navad. Postopek namestitve filtrov z aktivnim ogljem je opisan spodaj.

1. Odstranite maščobni filter.
2. Na maščobni filter namestite filter z ogljem.
3. Pravilno naravnan filter z ogljem pritrdite z majhno jekleno žico.
4. Ponovno namestite maščobni filter.
5. Filter z ogljem uporabite samo za kroženje.



1 Obešalo iz jekla


2 Filter z ogljem

3 Maščobni filter

### POZOR:

- Prepričajte se, da je filter varnostno blokiran. V nasprotnem filter ne bo pritrjen in bo predstavljal nevarnost.
- Ko je dodan filter z aktivnim ogljem, bo moč sesanja manjša.

### MENJAVA ŽARNICE

<p>Pomembno</p> 	<ul style="list-style-type: none"> <li>✧ Žarnico mora zamenjati proizvajalec, serviser ali podobno kvalificirana oseba.</li> <li>✧ Vedno najprej izklopite električno napetost in se šele nato lotite dela na aparatu. Ko menjate žarnico, se najprej prepričajte, da se bo popolnoma ohladila, šele nato se jo lahko dotikate.</li> <li>✧ Ko delate s sijalkami, jih držite s krpo ali rokavicami, da ne bodo prišle v stik z znojem, ker bi se tako skrajšala življenjska doba sijalke.</li> </ul>
---	--

### Zamenjava žarnice

\*Pred menjavo luči se prepričajte, da je napa izklopljena.

\*Uporabite izvijač za ST4\*8MM samovrezne vijake (2 kosa) s panela luči, odstranite vpenjala luči. Odprite škatlo, ki je povezana z žico, izključite žico in zamenjajte luč.

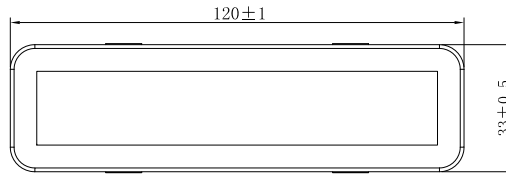
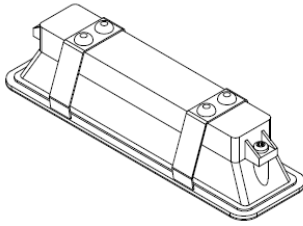
• ILCOS D koda za to luč je: DBS-2/65-H-120/33

– Moduli LED – pravokotna luč


– Maks. watt: 2 W

– Obseg napetosti: AC 110-240V

– Dimenzije:



## **VARSTVO OKOLJA:**

	<p>Izdelek je označen s simbolom selektivnega ločevanja elektronskih odpadkov. To pomeni, da izdelka ne smemo odlagati med gospodinjske odpadke, ampak ga je treba odložiti v sistem selektivnega zbiranja odpadkov v skladu s smernico 2012/19/ES. Nato ga lahko recikliramo ali razgradimo, da bo vpliv na okolje zmanjšan na minimum, električni in elektronski izdelki so potencialno nevarni za okolje in zdravje ljudi zaradi nevarnih snovi. Za več informacij se obrnite na svoje lokalne ali regionalne oblasti.</p>
---	---

### **POZOR:**

V nadaljevanju je prikazano, kako zmanjšamo celotni vpliv na okolje (uporabo energije) med kuhanjem).

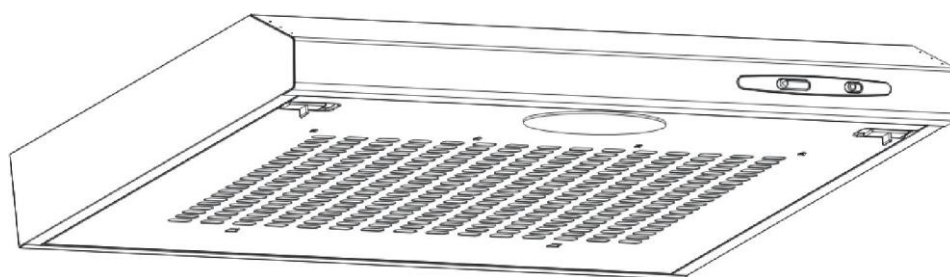
- (1) Kuhinjsko napo namestite na primerno mesto z zadostnim zračenjem.
- (2) Kuhinjsko napo redno čistite, da se zračne poti ne bodo blokirale.
- (3) Po kuhanju ne pozabite izključiti luči v napi.
- (4) Po kuhanju ne pozabite izključiti nape.

## **INFORMACIJE O RAZGRAJEVANJU**

Nape ne razgradite drugače, kot je prikazano v navodilih za uporabo. Nape ne more razgraditi uporabnik. Po koncu življenjske dobe je ne smete odložiti med gospodinjske odpadke. Za nasvet se lahko obrnete na svoje lokalne oblasti ali na podjetje za recikliranje

# Digestor

## Návod na použitie



# Obsah

1.....	Bezpečnostné pokyny
2.....	Inštalácia
3.....	Prvé použitie digestora
4.....	Riešenie problémov
5.....	Údržba a čistenie
6.....	Ochrana životného prostredia

## BEZPEČNOSTNÉ POKYNY

Táto príručka objasňuje správnu inštaláciu a používanie digestora, pred použitím si ju dôkladne prečítajte, aj keď ste sa už s výrobkom oboznámili. Príručku treba uchovávať na bezpečnom mieste, aby ste si ju v prípade potreby mohli opäť prečítať.

### Nikdy sa:

- Nepokúšajte sa používať digestor bez tukových filtrov alebo ak sú filtre príliš mastné!
- Neinštalujte nad sporák s grilom vysokej úrovne.
- Nenechávajte panvice počas používania bez dozoru, pretože prehriate tuky alebo oleje by sa mohli vznietiť.
- Nikdy nenechávajte pod digestorom otvorený plameň.



- Ak je digestor poškodený, nepokúšajte sa ho používať.
- Nevlambujte pod digestorom žiadne jedlá.
- **Upozornenie:** Prístupné časti sa pri používaní kuchynských pomôcok môžu zohriať.
- Minimálna vzdialenosť medzi varnou doskou na sporáku a najnižšou časťou digestora. (Ak je digestor umiestnený nad plynovým spotrebičom, vzdialenosť musí byť najmenej 65 cm)
- Vzduch sa nesmie odvádzať do komína, ktorý sa používa na odvádzanie výparov zo zariadení, ktoré spaľujú plyn alebo iné palivá.



### Zakaždým:

- **Dôležité!** Počas inštalácie a údržby, ako napr. výmena žiarovky, vždy vypnite napájanie z elektrickej siete.
- Digestor musí byť nainštalovaný v súlade s inštaláčnymi pokynmi a všetkými opatreniami.
- Všetky inštaláčné práce musí vykonávať kompetentná osoba alebo kvalifikovaný elektrikár.
- Obalový materiál starostlivo zlikvidujte. Môže spôsobiť deťom zranenie.
- Venujte pozornosť ostrým hranám vnútri digestora, predovšetkým počas inštalácie a čistenia.
- Keď je digestor nainštalovaný nad plynovým spotrebičom, minimálna vzdialenosť medzi plochou na varné nádoby na varnej doske a najnižšou časťou digestora musí byť:  
Plynové sporáky: 75 cm  
Elektrické sporáky: 65 cm  
Pece na uhlie alebo olej: 75 cm
- Uistite sa, že na potrubí nie sú ohyby ostrejšie než 90 stupňov, pretože by to znížilo účinnosť digestora.
- **Upozornenie:** Vynechanie montáže skrutiek alebo upínacieho zariadenia podľa týchto pokynov môže mať za následok ohrozenie elektrickým prúdom

## Zakaždým:

- Pri varení na plynovom sporáku hrnce a panvice vždy prikryte pokrievkami.
- V režime odsávania digestor odsáva vzduch z miestnosti. Ubezpečte sa, že sú dodržané správne opatrenia na vetranie. Digestor odvádza z miestnosti pachy, ale nie paru.
- Digestor je určená len na použitie v domácnosti.



- Ak je poškodený elektrický napájací kábel, musíte ho dať vymeniť u výrobcu, v servisnom stredisku alebo to musí urobiť kvalifikovaná osoba, aby ste predišli úrazom.
- Tento spotrebič smú používať deti staršie než 8 rokov a osoby so zníženými telesnými, zmyslovými alebo duševnými schopnosťami alebo s nedostatkom skúseností a znalostí, len ak sú pod dozorom alebo boli poučené o používaní zariadenia bezpečným spôsobom a pochopili hroziace nebezpečenstvo. Deti sa nesmú hrať so spotrebičom. Čistenie a bežnú údržbu nesmú vykonávať deti bez dozoru.



- **Upozornenie:** Predtým, ako sa dostanete ku koncovkám, musia byť všetky napájacie obvody odpojené.

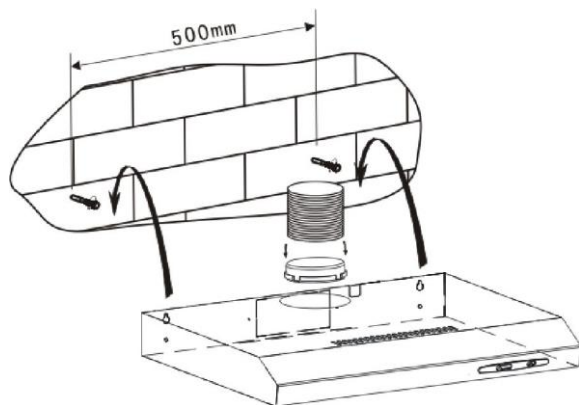
## Zakaždým:

- **Upozornenie:** Spotrebič a prístupné časti sa môžu počas prevádzky zohriať. Dajte si pozor, aby ste sa nedotkli vyhrievacích článkov. Deti mladšie než 8 rokov by sa pri prístroji nemali zdržiavať vôbec, ak nie sú pod neustálym dohľadom.
- Keď sa digestor používa súčasne so spotrebičmi spaľujúcimi plyn alebo iné palivá, musí sa vždy zaistiť vhodné vetranie miestnosti.
- Ak sa čistenie nebude robiť podľa pokynov, hrozí nebezpečenstvo požiaru
- Musia sa dodržiavať predpisy týkajúce sa vypúšťania vzduchu.
- Spotrebič pravidelne čistite dodržaním postupu v kapitole ÚDRŽBA.
- Z bezpečnostných dôvodov používajte upevňovaciu alebo montážnu skrutku iba s veľkosťou uvedenou v tomto návode na použitie.
- Podrobnosti o spôsoboch a intervaloch čistenia nájdete v časti o údržbe a čistení v návode na použitie.
- Čistenie ani údržbu spotrebiča nesmú vykonávať deti bez dohľadu.
- Ak sú digestor a spotrebiče, napájané inou než elektrickou energiou, v prevádzke súčasne, podtlak v miestnosti nesmie presiahnuť 4 Pa (4 x 10 – 5 bar).
- **VAROVANIE:** nebezpečenstvo vzniku požiaru: na varných povrchoch neuchovávajte žiadne predmety.
- Nesmie sa používať parný čistič.
- **NIKDY** sa nepokúšajte uhasiť oheň vodou, ale vypnite spotrebič a potom plameň uduste napr. vekom alebo vhodnou prikrývkou na hasenie požiaru

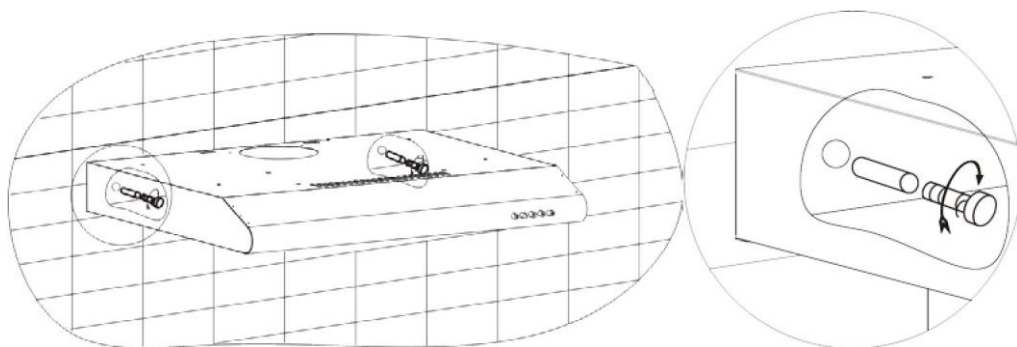
# INŠTALÁCIA

## A. INŠTALÁCIA (montáž na stenu)

- (1) Rozhodnite o umiestnení otvorov na upevnenie digestora.
- (2) Digestor namontujte na stenu 4 skrutkami (4x 30mm)

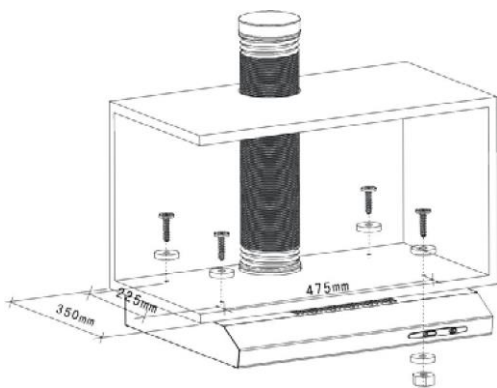


60 cm digestor



## B. INŠTALÁCIA (montáž na skrinku)

- (1) Digestor namontujte na skrinku 4 skrutkami (4x35 mm), 4 maticami a plochými podložkami. Nasadte digestor na skrinku tak, že zhora zo skrinky prestrčíte 4 skrutky a 4 ploché podložky. Potom, vnútri digestora nasadte na skrutku plochú podložku a maticu, aby ste prichytili spotrebič ku skrinke.



60 cm digestor



Poznámka: Existujú 2 metódy vetrania vrátane „horizontálneho vetrania“ a „vertikálneho vetrania“. Pri inštalácii venujte pozornosť spôsobu vetrania.

Vodorovné vetranie: Pozri obrázok 4A, použite kryt na utesnenie výstupu v hornej časti, potom sa vzduch môže odvádzať zozadu.

Vertikálne vetranie: Pozri obrázok 4B, použite kryt na utesnenie výstupu na zadnej stene, potom sa vzduch môže odvádzať zhora.

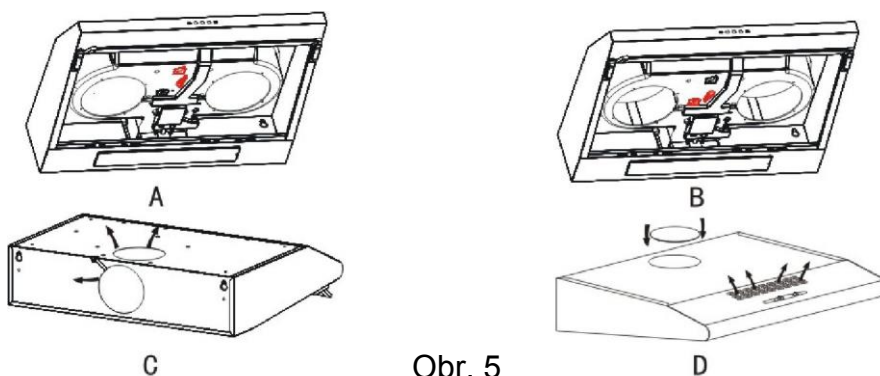


Obr. 4

### Nastavenie odvodu vzduchu

Odvod vzduchu vonku: Otočte ovládač do polohy odvodu vonku (obrázok 5A), nainštalujte výstup, zapnite digester. Vzduch sa bude odvádzať prostredníctvom výstupu vonku.

Odvod vzduchu do miestnosti: Otočte ovládač do polohy do odvodu do miestnosti (obrázok 5B), nainštalujte kryt výstupu, zapnite digester. Vzduch sa bude odvádzať do miestnosti.



Obr. 5

**VAROVANIE:**

- Z bezpečnostných dôvodov používajte iba takú veľkosť upevňovacích alebo montážnych skrutiek, ktorá sa odporúča v tomto návode na použitie
- Ak skrutky alebo upevňovacie zariadenie nenainštalujete podľa týchto pokynov, môže dôjsť k riziku zásahu elektrickým prúdom.

**Prvé použitie digestora****Prepínač**

Motor má k dispozícii 3 rýchlosti a vypínač osvetlenia.

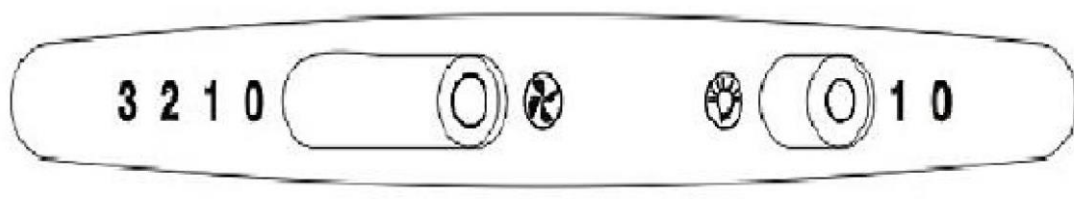
Prevádzka sa umožňuje posunutím prepínača.

Prevádzka motora

- 0- Vypnuté
- 1- Nastavenie nízkeho výkonu
- 2- Nastavenie stredného výkonu
- 3- Nastavenie vysokého výkonu

Osvetlenie

- 0- Vypnuté
- 1- Zapnuté

**RIEŠENIE PROBLÉMOV**

Porucha	Možná príčina	Riešenie
Svetlo svieti, ale nefunguje motor	Vypínač ventilátora sa vypne	Zvoľte polohu vypínača ventilátora.
	Vypínač ventilátora nefunguje	Obráťte sa na servisné stredisko.
	Motor nefunguje	Obráťte sa na servisné stredisko.
Osvetlenie nefunguje, motor nefunguje	Domové poistky sú vyhodené	Zapnite/Vymeňte poistky.
	Sieťový kábel je uvoľnený alebo odpojený	Znovu pripojte kábel do elektrickej zásuvky. Zapnite elektrickú zásuvku.
Únik oleja	Jednosmerný ventil a výstup nie sú tesne uzatvorené	Dajte jednocestný ventil dolu a utesnite ho tmelom.
	Únik z pripojenia komína a krytu	Demontujte komín a utesnite ho.

Svetlá nefungujú.	Poškodené/chybné žiarovky	Vymeňte žiarovky podľa tohto postupu.
Nedostatočné nasávanie	Vzdialenosť medzi digestorom a plynovou varnou doskou je príliš veľká	Nastavte digestor do správnej vzdialenosti.
Digestor sa nakláňa	Upevňovacia skrutka nie je dostatočne pritiahnutá	Pritiahnite závesnú skrutku a narovnajte ju.



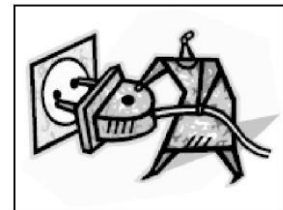
### **POZNÁMKA:**

Všetky elektrické opravy tohto spotrebiča sa musia robiť v súlade s miestnymi, vnútroštátnymi a federálnymi zákonmi. V prípade akýchkoľvek pochybností sa pred vykonaním akejkoľvek uvedenej činnosti obráťte na servisné stredisko. Pri otváraaní jednotky vždy odpojte jednotku od zdroja elektrického napájania.

## ÚDRŽBA A ČISTENIE

### Upozornenie:

- Pred údržbou alebo čistením treba digestor odpojiť od zdroja elektrického napájania. Skontrolujte, či je digestor vypnutý zo zásuvky a či je zástrčka odpojená.
- Vonkajšie povrchy sú náchylné k poškrabaniu a odreniu, preto postupujte podľa pokynov na čistenie, aby bol výsledok čo možno najlepší a aby nedošlo k poškodeniu.



### **VŠEOBECNÉ INFORMÁCIE**

Čistenie a údržbu treba vykonávať na vychladnutom spotrebiči, predovšetkým čistenie. Nedovoľte, aby na povrchu spotrebiča ostali alkalické alebo kyslé látky (citrónová šťava, ocot atď.).

### **NEHRDZAVEJÚCA OCEĽ**

Nerezová oceľ sa musí pravidelne čistiť (napr. týždenne), aby sa zabezpečila jej dlhá životnosť. Osušte čistou mäkkou utierkou. Je potrebné používať špeciálny čistiaci prostriedok na nehrdzavejúcu oceľ.

#### **POZNÁMKA:**

Nehrdzavejúcu oceľ utierajte pozdĺž štruktúry, aby sa predišlo nepekným križujúcim škrabancom.

### **POVRCH OVLÁDACIEHO PANELA**

Vstavaný ovládací panel sa môže čistiť pomocou teplej mydlovej vody. Pred čistením skontrolujte, či je utierka čistá a dobre vyžmýkaná. Na odstránenie akejkoľvek vlhkosti ponechanej po čistení používajte suchú mäkkú utierku.

### **Dôležité**

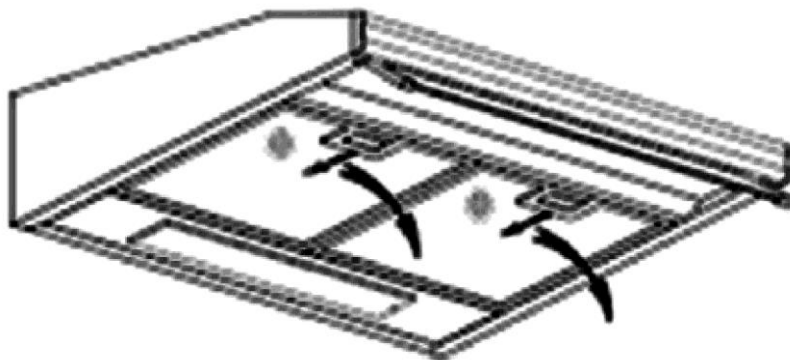
Používajte neutrálne čistiace prostriedky a vyhnite sa agresívnym čistiacim chemikáliám, silným domácim čistiacim prostriedkom alebo produktom s obsahom abrazívnych látok, pretože by to mohlo mať vplyv na vzhľad zariadenia a potenciálne odstrániť tlačenu predlohu na ovládacom paneli, čo by viedlo k strate platnosti záruky od výrobcu.

## MRIEŽKOVÝ FILTER PROTI MASTNOTE

Filtre sa dajú čistiť ručne. Namočte ich na 3 minúty do vody s čistiacim prostriedkom rozpúšťajúcim masť, potom ho jemne vykefujte mäkkou kefkou. Nevyvíjajte príliš silný tlak, aby ste ich nepoškodili. (Nechajte ich voľne vysušiť mimo priameho slnečného svetla)

Filtre by sa mali umývať oddelene od riadov a kuchynských potrieb. Odporúča sa nepoužívať leštidlo.

- Odstránenie filtrov podľa pokynov na obrázku nižšie.
- Nepoužívajte abrazívny čistiaci prostriedok, pretože poškodí digestor.



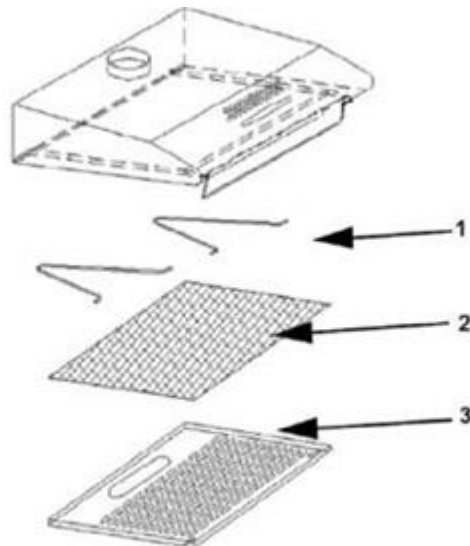
## INŠTALÁCIA MRIEŽKOVÉHO FILTRA PROTI MASTNOTE

- Pri inštalácii filtrov, postupujte podľa nasledujúcich štyroch krokov.
- Nasmerujte filtre do výrezov na zadnej strane digestora.
- Zatlačte tlačidlo na rukoväti filtra.
- Keď filter zapadne do správnej polohy, rukoväť uvoľnite.
- Opakujte pri inštalácii všetkých filtrov.

## UHLÍKOVÝ FILTER

Filter s aktívnym uhlím sa dá používať na zachytávanie pachov. Bežne treba filter s aktívnym uhlíkom meniť každé tri až každých šesť mesiacov, v závislosti od intenzity využívania odsávača. Postup inštalácie filtra s aktívnym uhlíkom je opísaný nižšie.

1. Demontujte tukový filter.
2. Umiestnite uhlíkový filter na tukový filter.
3. Správne nastavený uhlíkový filter upevnite malou oceľovou sponou.
4. Znovu namontujte tukový filter.
5. Uhlíkové filtre používajte len v režime recirkulácie.




1	Oceľový vešiak	2	Uhlíkový filter	3	Tukový filter
---	----------------	---	-----------------	---	---------------

### POZNÁMKA:

- Presvedčte sa, že je filter bezpečne zaistený. Ináč by sa mohol uvoľniť a spôsobiť poškodenie.
- Po pripojení filtra s aktívnym uhlím sa zníži sací výkon.

### VÝMENA ŽIAROVKY

<p><b>Dôležité:</b></p> 	<ul style="list-style-type: none"> <li>✧ Žiarovku musí vymeniť výrobca, jeho servisný zamestnanec alebo podobne kvalifikovaná osoba.</li> <li>✧ Pred akýmkoľvek úkonom vždy vypnite napájanie zariadenia. Pri manipulácii so žiarovkou sa pred akýmkoľvek priamym kontaktom s rukou uistite, že žiarovka úplne vychladla.</li> <li>✧ Pri manipulácii so žiarovkou ju držte utierkou alebo rukavicou, aby neprišla do kontaktu s potom, pretože by to mohlo znížiť životnosť žiarovky.</li> </ul>
---	--

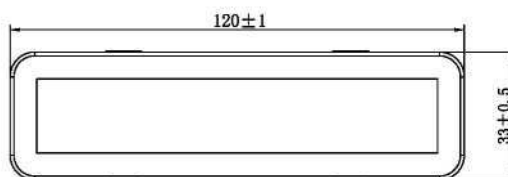
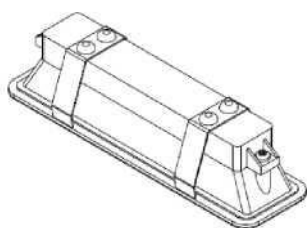
### Výmena osvetlenia:

\*Pred výmenou osvetlenia sa uistite, že je spotrebič vypnutý.

\*Skrutkovačom uvoľnite samoreznú skrutku ST4\*8MM (2 ks) z osvetľovacieho panela, vyberte jednotku osvetlenia. Otvorte svorkovnicu, ktorá je pripojená vodičom, odpojte konektor vodiča a vymeňte žiarovku.

• **Kód ILCOS D pre túto žiarovku je: DBS-2/65-H-120/33**

- LED moduly - obdĺžnikové svietidlo
- Max. výkon: 2 W.
- Rozsah napätia: AC 110 – 240V
- Rozmery:



## OCHRANA ŽIVOTNÉHO PROSTREDIA:

	<p>Tento výrobok je označený symbolom o selektívnom triedení odpadu z elektrických zariadení. To znamená, že tento výrobok sa nesmie likvidovať spolu s domácim odpadom, ale sa musí odovzdať v stredisku na zber separovaného odpadu v súlade so smernicou 2012/19/ES. Potom sa recykluje alebo rozoberie s cieľom minimalizovať dopady na životné prostredie, pretože elektrické a elektronické výrobky sú potenciálne nebezpečné pre životné prostredie a ľudské zdravie vzhľadom na nebezpečné látky v nich prítomné. Ak potrebujete viac informácií, spojte sa s miestnym alebo regionálnym úradom.</p>
--	--

### **POZNÁMKA:**

Nižšie je uvedené, ako znížiť celkový dopad na životné prostredie (napr. používanie energií) pri procese varenia).

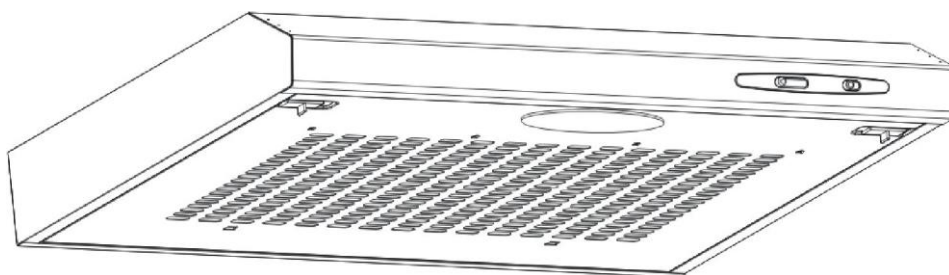
- (1) Digestor nainštalujte na vhodnom mieste, kde je dostatočné vetranie.
- (2) Digestor pravidelne čistite, aby sa neupchal vzduchovod.
- (3) Po skončení varenia vypnite svetlo na digestore.
- (4) Po skončení varenia vypnite digestor.

## **INFORMÁCIE O DEMONTÁŽI**

Spotrebič nedemontujte ináč ako spôsobom uvedeným v tomto návode na obsluhu. Spotrebič môže demontovať aj používateľ. Spotrebič po skončení životnosti nesmiete likvidovať spolu s domácim odpadom. Rady na recykláciu vám poskytne miestny úrad alebo zberný dvor.

# Kuhinjski aspirator

## Priručnik za upotrebu



# Sadržaj

1.....	Bezbednosna uputstva
2.....	Ugradnja
3.....	Početak upotrebe kuhinjskog aspiratora
4.....	Rešavanje problema
5.....	Održavanje i čišćenje
6.....	Zaštita životne sredine



## BEZBEDNOSNA UPUTSTVA

U ovom je priručniku objašnjena pravilna ugradnja i upotreba aspiratora. Pažljivo ga pročitajte pre upotrebe, čak i ako ste upoznati s proizvodom. Sačuvajte ovaj priručnik na sigurnom mestu kako biste ga mogli i kasnije pročitati.

### Nikad nemojte raditi sledeće:

- **Ne** pokušavajte da koristite aspirator bez filtera za masnoću ili ako su filteri previše zamašćeni!
- **Ne** postavljajte aspirator iznad šporeta sa visokim roštiljem.
- **Ne** ostavljajte tiganje bez nadzora tokom upotrebe jer se pregrejane masti ili ulja mogu zapaliti.
- **Nikad** nemojte ostavljati otvoreni plamen ispod aspiratora.



- **Ako** je aspirator oštećen, ne pokušavajte da ga koristite.
- **Nemojte** pripremati flambirana jela ispod aspiratora.
- **OPREZ:** Dostupni delovi uređaja mogu da se zagreju kada se koriste zajedno sa uređajima za kuvanje.
- **Minimalno** rastojanje između površine za kuvanje na koju se stavljaju posude za kuvanje i najnižeg dela aspiratora. (Kada se aspirator nalazi iznad gasnog uređaja, ovo rastojanje mora biti najmanje 65 cm.)
- **Vazduh** iz aspiratora se ne sme ispuštati u cev za odvod izduvnih gasova iz uređaja koji sagorevaju gas ili druga goriva.



### Uvek treba paziti:

- **Važno!** Uvek isključite napajanje električnom energijom tokom ugradnje i održavanja, kao što je zamena sijalice.
- Aspirator mora biti ugrađen u skladu sa uputstvima za ugradnju poštujući sve neophodne mere.
- Sve instalacione radove mora izvršiti stručno lice ili kvalifikovani električar.
- Pažljivo odložite ambalažni materijal. Deca se njime mogu povrediti.
- **Obratite** pažnju na oštre ivice unutar aspiratora, posebno tokom ugradnje i čišćenja.
- **Kada** se aspirator nalazi iznad gasnog uređaja, minimalno rastojanje između površine za kuvanje na koju se stavljaju posude za kuvanje i najnižeg dela aspiratora mora da bude:

Gasni šporeti:	75 cm
Električni šporeti:	65 cm
Šporeti na uglj ili naftu:	75 cm
- **Postarajte** se da na odvodnoj cevi nema pregiba pod uglom oštrijim od 90 stepeni jer će to smanjiti efikasnost aspiratora.
- **Upozorenje:** Postavka zavrtnja ili uređaja za pričvršćivanje koja nije u skladu sa ovim uputstvima može dovesti do opasnosti od strujnog udara.

## Uvek treba paziti:

- Uvek stavite poklopce na posude za kuvanje kada kuvate na gasnom šporetu.
- Kada je u režimu odvođenja vazduha, aspirator uklanja vazduh iz prostorije. Proverite da li se poštuju odgovarajuće mere ventilacije. Aspirator uklanja mirise iz prostorije, ali ne i paru.
- Aspirator je samo za kućnu upotrebu.



- Ako je kabl za napajanje oštećen, mora ga zameniti proizvođač, njegov servisni agent ili slično kvalifikovano lice kako bi se izbegla opasnost.
- Ovaj uređaj mogu koristiti i deca uzrasta od 8 ili više godina i osobe sa smanjenim fizičkim, senzornim ili mentalnim sposobnostima ili nedostatkom iskustva i znanja, ako to čine pod nadzorom ili ukoliko uređaj koriste prema uputstvima za bezbednu upotrebu i ako razumeju opasnosti koje ta upotreba uključuje. Deca ne smeju da se igraju sa uređajem. Čišćenje i održavanje ne smeju vršiti deca bez nadzora.



- Upozorenje: Pre nego što pristupite priključcima, sva električna kola napajanja moraju biti isključena.

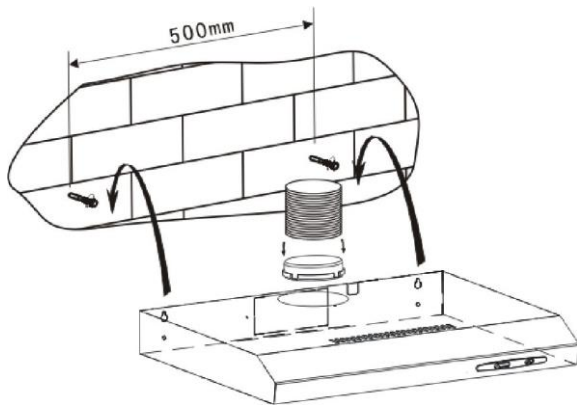
## Uvek treba paziti:

- Oprez: Uređaj i njegovi dostupni delovi mogu da se zagreju tokom rada. Pazite da ne dodirujete grejne elemente. Deca mlađa od 8 godina treba da se drže podalje, osim ako nisu pod stalnim nadzorom.
- U prostoriji mora biti adekvatna ventilacija kada se aspirator koristi istovremeno sa uređajima na gas ili druga goriva.
- Ako se čišćenje ne vrši u skladu sa uputstvima postoji opasnost od požara.
- Moraju se poštovati propisi koji se odnose na ispuštanje vazduha.
- Povremeno čistite uređaj prema metodu navedenom u poglavlju ODRŽAVANJE.
- Iz bezbednosnih razloga koristite samo onu veličinu pričvrstnog ili montažnog zavrtnja koja je preporučena u ovom priručniku za upotrebu.
- Za detalje o načinu i učestalosti čišćenja, pogledajte odeljak Održavanje i čišćenje u priručniku za upotrebu.
- Čišćenje i održavanje ne smeju vršiti deca bez nadzora.
- U slučaju istovremenog rada aspiratora i uređaja koji se napaja energijom koja nije električna, negativan pritisak u prostoriji ne sme biti veći od 4 Pa (4 x 10<sup>-5</sup> bara).
- UPOZORENJE: Opasnost od požara: nemojte držati stvari na površinama za kuvanje.
- Nemojte koristiti paročistač.
- NIKADA ne pokušavajte da ugasite vatru vodom, već isključite uređaj i zatim pokrijte plamen, npr. poklopcem ili protivpožarnim čebetom.

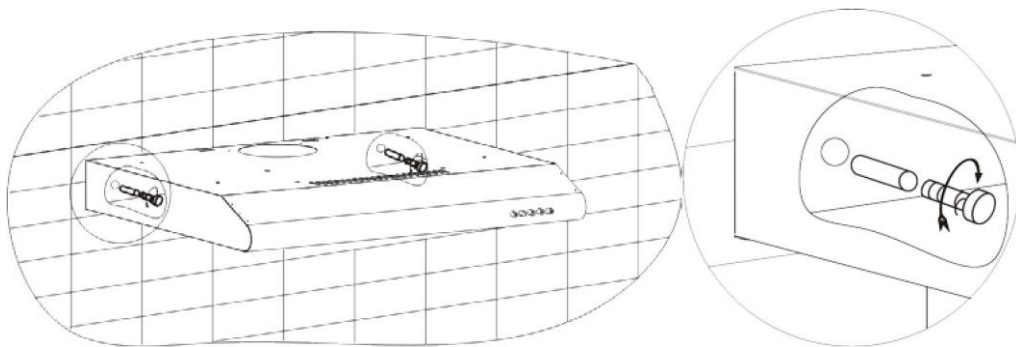
# UGRADNJA

## A. UGRADNJA (zidna montaža)

- (1) Odredite lokaciju na kojoj ćete izbušiti rupe za pričvršćivanje aspiratora.
- (2) Pričvrstite aspirator za zid pomoću 4 zavrtnja (4 x 30 mm).

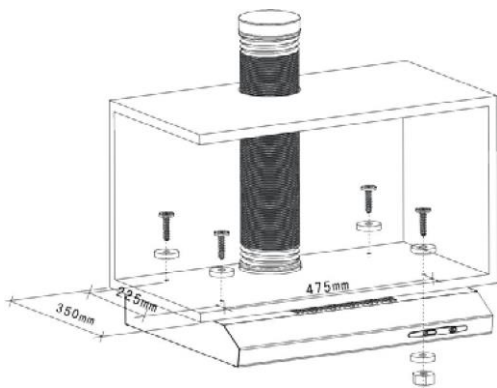


Aspirator od 60 cm



## B. UGRADNJA (montaža na viseći kuhinjski element)

- (1) Postavite aspirator na viseći kuhinjski element pomoću 4 zavrtnja (4 x 35 mm), 4 navrtke i ravne podloške. Pričvrstite aspirator na kuhinjski element tako što ćete 4 zavrtnja i 4 ravne podloške zavrnuti od vrha kuhinjskog elementa u aspirator. Zatim unutar aspiratora provucite ravnu podlošku i navrtku kroz zavrtnj kako biste pričvrstili uređaj za kuhinjski element.



Aspirator od 60 cm

Napomena: Postoje 2 metode za ventilaciju, uključujući „horizontalnu ventilaciju“ i „vertikalnu ventilaciju“. Obratite pažnju na metod ventilacije prilikom ugradnje.

Horizontalna ventilacija: Pogledajte sliku 4A – upotrebite poklopac za zatvaranje izlaza na vrhu, a zatim se vazduh može ispuštati sa zadnje strane.

Vertikalna ventilacija: Pogledajte sliku 4B – upotrebite poklopac za zatvaranje izlaza sa zadnje strane, a zatim se vazduh može ispuštati nagore.

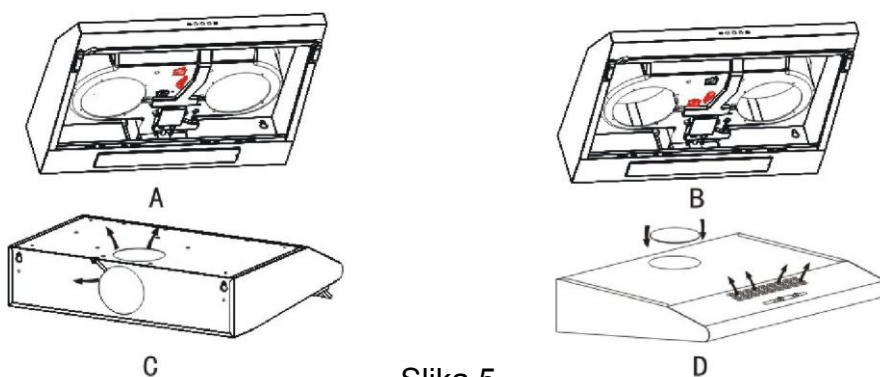


Slika 4


### Podešavanje ventilacije vazduha

Spoljašnja ventilacija: Postavite regulator u spoljašnji položaj (slika 5A), postavite izlaz, uključite aspirator, a zatim će se vazduh odzračivati iz spoljašnjeg izlaza.

Unutrašnja ventilacija: Postavite regulator u unutrašnji položaj (slika 5B), postavite poklopac izlaza, uključite aspirator, a zatim će se vazduh odzračivati iz unutrašnjeg izlaza.



Slika 5

<p>UPOZORENJE:</p> 	<p>➤ Iz bezbednosnih razloga koristite samo onu veličinu pričvrstnog ili montažnog zavrtnja koja je preporučena u ovom priručniku za upotrebu.</p> <p>➤ Postavka zavrtnja ili uređaja za pričvršćivanje koja nije u skladu sa ovim uputstvima može dovesti do opasnosti od strujnog udara.</p>
--	--

## Početak upotrebe kuhinjskog aspiratora

### Prekidač za uključivanje/isključivanje

Postoje 3 brzine motora i prekidač za uključivanje i isključivanje lampe.

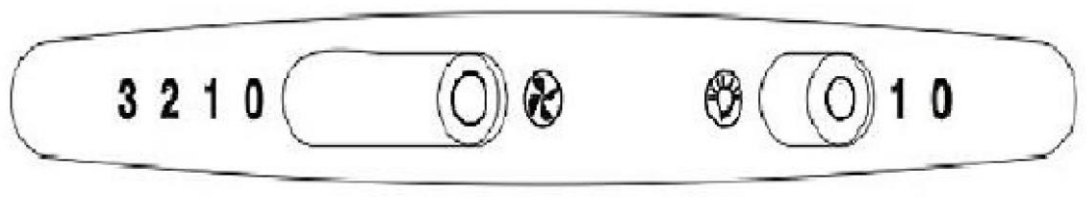
Pomerite prekidač za uključivanje.

Uključivanje motora

- 0 – isključeno
- 1 – podešavanje niske snage
- 2 – podešavanje srednje snage
- 3 – podešavanje velike snage

Uključivanje svetla

- 0 – isključeno
- 1 – uključeno



## REŠAVANJE PROBLEMA

Kvar	Mogući uzrok	Rešenje
Svetlo je uključeno, ali motor ne radi.	Prekidač ventilatora je isključen.	Podesite položaj prekidača
	Prekidač ventilatora ne radi.	Pozovite servis.
	Motor ne radi.	Pozovite servis.
Svetlo ne radi, motor ne radi.	Kućni osigurači su pregoreli.	Namestite/zamenite osigurače.
	Kabl za napajanje je labavo postavljen ili isključen iz utičnice.	Ponovo postavite kabl u utičnicu. Uključite utičnicu.
Ulje curi.	Jednosmerni ventil i odvod nisu čvrsto zaptiveni.	Skinite jednosmerni ventil i zapužite zaptivkom.
	Curenje iz spoja dimnjaka i poklopca.	Skinite dimnjak i zatvorite.

Svetla ne rade.	Polomljene/neispravne kugle.	Zamenite kugle prema ovom uputstvu.
Nedovoljno usisavanje.	Razdaljina između aspiratora i gasnog uređaja je prevelika.	Ponovo postavite aspirator na odgovarajućoj udaljenosti.
Aspirator je pod nagibom.	Pričvrtni zavrtanj nije dobro pričvršćen.	Zategnite viseći vijak tako da bude vodoravan.



### **NAPOMENA:**

Sve električne popravke ovog uređaja moraju biti u skladu s lokalnim, državnim i saveznim zakonima. Obratite se servisu ako imate bilo kakvih nedoumica pre nego što preduzmete bilo šta od gorenavedenog. Uvek isključite uređaj iz izvora napajanja pre nego što ga otvorite.

## **ODRŽAVANJE I ČIŠĆENJE**

### **Oprez:**

- Pre održavanja ili čišćenja aspirator treba isključiti iz glavnog napajanja. Uverite se da je aspirator isključen iz zidne utičnice i da je utikač izvađen.



- Spoljašnje površine su podložne ogrebotinama i abraziji, pa vas molimo da pratite uputstva za čišćenje kako biste osigurali najbolji mogući rezultat bez oštećenja.

### **OPŠTE**

Čišćenje i održavanje treba vršiti dok je uređaj hladan, posebno kad je reč o čišćenju. Izbegavajte ostavljanje alkalnih ili kiselih supstanci (limunov sok, sirće itd.) na površinama.

### **NERĐAJUĆI ČELIK**

Nerđajući čelik se mora redovno čistiti (npr. nedeljno) kako bi se osigurao njegov dug životni vek. Osušite čistom mekom krpom. Može se koristiti specijalna tečnost za čišćenje nerđajućeg čelika.

#### **NAPOMENA:**

Uvek brišite u smeru zrna nerđajućeg čelika kako biste sprečili pojavu bilo kakvih neuglednih šara od grebanja.

### **POVRŠINA KONTROLNE TABLE**

Umetna kontrolna tabla se može očistiti toplom sapunicom. Pre čišćenja proverite da li je krpa čista i dobro iscedena. Koristite suhu meku krpu da biste uklonili višak vlage koji je ostao nakon čišćenja.

### **Važno**

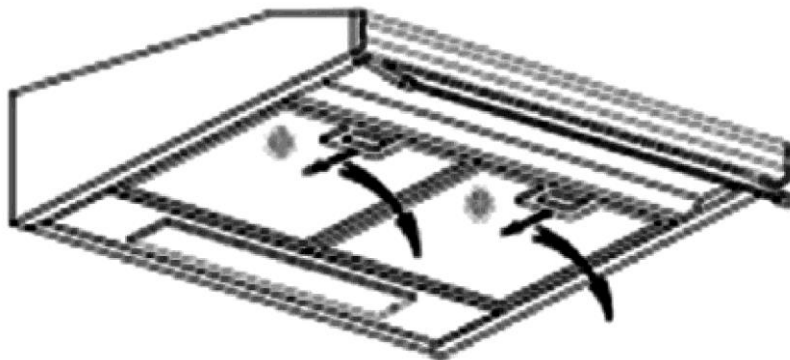
Koristite neutralne deterdžente i izbegavajte upotrebu grubih hemikalija za čišćenje, jakih deterdženata za domaćinstvo ili proizvoda koji sadrže abrazive, jer će to uticati na izgled uređaja i potencijalno ukloniti štampane oznake na kontrolnoj tabli i poništiti garanciju proizvođača.

## MREŽASTI FILTERI ZA MASNOĆU

Filteri se mogu očistiti ručno. Potopite ih u vodu sa deterdžentom za odmašćivanje na oko 3 minuta, a zatim ih nežno očetkajte mekom četkom. Nemojte prejako pritiskati kako biste izbegli oštećenja. (Ostavite da se prirodno osuše ne izlažući ih direktnoj sunčevoj svetlosti.)

Filtere treba prati odvojeno od posuđa i kuhinjskog pribora. Preporučuje se da ne koristite dodatno sredstvo za ispiranje.

- Izvadite filtere prema uputstvu na slici ispod.
- Nemojte koristiti abrazivni deterdžent jer će oštetiti aspirator.



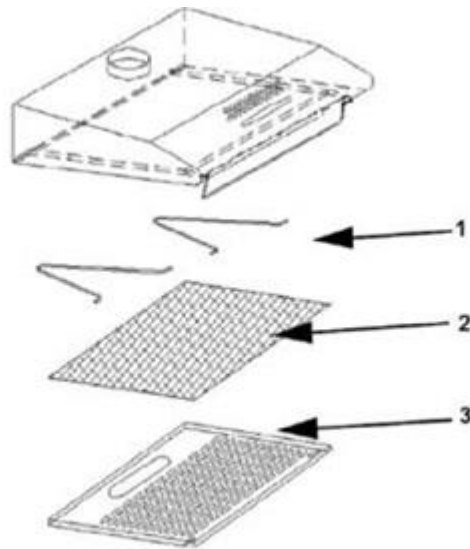
## POSTAVLJANJE MREŽASTIH FILTERA ZA MASNOĆU

- Da biste postavili filtere pratite sledeća četiri koraka.
- Umetnite filter u proreze na zadnjoj strani aspiratora.
- Pritisnite dugme na ručki filtera.
- Otpustite ručku kada filter dođe u predviđeni položaj.
- Ponovite postupak da biste postavili sve filtere.

## FILTER S AKTIVNIM UGLJEM

Filter s aktivnim ugljem se može koristiti za upijanje neprijatnih mirisa. Obično filter s aktivnim ugljem treba menjati svakih tri do šest meseci u zavisnosti od toga koliko često kuvate. Procedura postavljanja filtera s aktivnim ugljem je sledeća:

1. Uklonite filter za masnoću.
2. Postavite filter s aktivnim ugljem na filter za masnoću.
3. Pričvrstite pravilno postavljeni filter s aktivnim ugljem pomoću male čelične žice.
4. Ponovo postavite filter za masnoću.
5. Koristite filtere s aktivnim ugljem samo u režimu recirkulacije.



1	Čelična vešalica	2	Filter s aktivnim ugljem	3	Filter za masnoću
---	------------------	---	--------------------------	---	-------------------

### NAPOMENA:

- Proverite da li je filter dobro zaključan. Inače bi se mogao olabaviti i prouzrokovati opasnost.
- Kada je pričvršćen filter s aktivnim ugljem, usisna snaga aspiratora će biti manja.

### ZAMENA SIJALICE

<p>Važno:</p>	<ul style="list-style-type: none"> <li>✧ Sijalicu mora zameniti proizvođač, njegov serviser ili slično kvalifikovana lica.</li> <li>✧ Uvek isključite napajanje pre izvođenja bilo kakvih radnji na uređaju. Prilikom rukovanja sijalicom, uverite se da se potpuno ohladila pre bilo kakvog direktnog kontakta rukama.</li> <li>✧ Prilikom rukovanja sijalicama držite ih krpom ili rukavicama kako bi se osiguralo da znoj ne dođe u kontakt sa sijalicom jer to može smanjiti životni vek sijalice.</li> </ul>
---------------	---

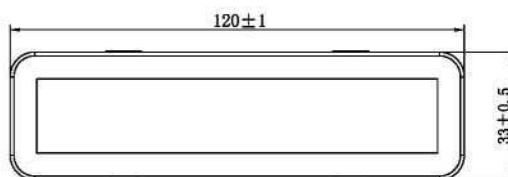
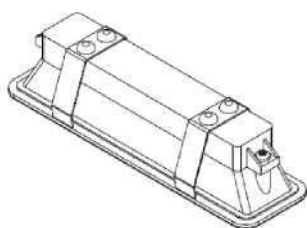
### Zamena svetla:

\*Pre nego što zamenite svetlo, proverite da li je uređaj isključen.

\*Upotrebite šrafciğer da otpustite samourezni vijak ST4\*8MM (2 kom.) sa table za osvetljenje, pa izvadite rasvetno telo. Otvorite priključnu kutiju koja je povezana sa žicom, isključite priključak žice i zamenite lampu.

- ILCOS D kod za ovu lampu je: DBS-2/65-H-120/33
- LED moduli – pravougaona lampa
- Maksimalna snaga: 2 W
- Opseg napona: AC 110–240 V
- Dimenzije:





## ZAŠTITA ŽIVOTNE SREDINE:



Ovaj proizvod je obeležen oznakom za selektivno odvajanje otpadne električne opreme. To znači da proizvod ne sme biti odložen zajedno sa ostalim kućnim otpadom nego se odvaja uz pomoć sistema selektivnog prikupljanja u skladu sa Direktivom 2012/19/EU. Proizvod će potom biti recikliran ili rasklopljen da bi se smanjio uticaj na životnu sredinu – električni i elektronski proizvodi predstavljaju potencijalnu opasnost po životnu sredinu i zdravlje ljudi jer sadrže štetne materije. Za više informacija kontaktirajte sa lokalnim ili regionalnim upravama.

### **NAPOMENA:**

U sledećem odeljku navedene su mogućnosti za smanjenje uticaja procesa kuvanja na životnu sredinu (npr. potrošnje energije).

- (1) Ugradite aspirator na odgovarajućem mestu na kom postoji adekvatna ventilacija.
- (2) Čistite aspirator redovno kako se vazdušni kanali ne bi zapušili.
- (3) Vodite računa da nakon kuvanja isključite osvetljenje aspiratora.
- (4) Vodite računa da nakon kuvanja isključite aspirator.

## **INFORMACIJE ZA RASKLAPANJE**

Nemojte rasklapati uređaj na način koji nije prikazan u priručniku za upotrebu. Uređaj ne može da rasklapa korisnik. Na kraju svog životnog veka, uređaj ne sme da bude odložen sa ostalim kućnim otpadom. Posavetujte se sa lokalnom upravom ili službenikom oko mogućnosti recikliranja.