

Wine cooler

OWNER'S MANUAL

PHILCO



Famous for Quality the World Over

PW 15 KF

PW 18 KF

Thank you very much for buying this product.

Before using your new refrigerator, please read this operation manual to ensure that you gain the maximum benefit from it.

CONTENTS

PART 1: SAFETY PRECAUTIONS	2
PART 2. INSTALLATION INSTRUCTIONS	6
PART 3. OVERVIEW	7
PART 4. DESCRIPTION OF PART	7
PART 5. OPERATING YOUR UNIT	8
SETTING THE TEMPERATURE CONTROL.....	8
ENERGY SAVING TIPS	8
THERE ARE FIVE SHELVES AND ONE DISPLAY SHELF IN TOTAL.....	9
THERE ARE FOUR SHELVES AND ONE DISPLAY SHELF IN TOTAL.....	10
PART 6. PROBLEMS WITH YOUR APPLIANCE	11
PART 7. TROUBLESHOOTING GUIDE	11
PART 8. CLEANING AND MAINTENANCE	12
PART 9. SPECIFICATIONS	12
STORAGE INSTRUCTIONS	12
PART 10. PRODUCT INFORMATION SHEET	13
TECHNICAL INFORMATION	17
TESTING INFORMATION.....	17
CUSTOMER CARE AND SERVICE	17
INSTRUCTIONS AND INFORMATION REGARDING THE DISPOSAL OF USED PACKAGING MATERIALS	18
DISPOSAL OF USED ELECTRICAL AND ELECTRONIC APPLIANCES	18



This appliance has been tested in accordance with the directives in force in the European Union.
This appliance conforms to the relevant safety provisions for electrical appliances in force in the European Union.

PART 1: SAFETY PRECAUTIONS

THIS APPLIANCE CAN BE USED BY CHILDREN AGED FROM 8 YEARS AND ABOVE AND BY PERSONS WITH REDUCED PHYSICAL, SENSORY OR MENTAL CAPABILITIES OR LACK OF EXPERIENCE AND KNOWLEDGE IF THEY HAVE BEEN GIVEN SUPERVISION OR INSTRUCTIONS CONCERNING USE OF THE APPLIANCE IN A SAFE WAY AND IF THEY UNDERSTAND THE HAZARDS INVOLVED.

CHILDREN MUST NOT PLAY WITH THE APPLIANCE. CLEANING AND MAINTENANCE CANNOT BE PERFORMED BY CHILDREN WITHOUT SUPERVISION. CHILDREN AGED FROM 3 TO 8 YEARS OF AGE CAN INSERT AND REMOVE FOOD FROM REFRIGERATION APPLIANCES.

IF THE SUPPLY CABLE GETS DAMAGED, HAVE IT REPLACED BY A SPECIALIZED SERVICE CENTRE IN ORDER TO AVOID DANGEROUS SITUATIONS. IT IS PROHIBITED TO USE AN APPLIANCE WITH THE SUPPLY CABLE DAMAGED.

WARNING: VENTILATION OPENINGS IN THE HOUSING OF THE APPLIANCE OR IN ITS CONSTRUCTION MUST BE KEPT WITHOUT OBSTACLES.

WARNING: DO NOT USE ANY MECHANICAL DEVICES OR MEANS OTHER THAN RECOMMENDED BY THE MANUFACTURER TO SPEED UP THE DEFROSTING PROCESS.

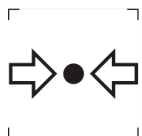
WARNING: DO NOT DAMAGE THE COOLING CIRCUIT.

WARNING: DO NOT USE ELECTRIC APPLIANCES IN THE FOOD STORAGE COMPARTMENT, UNLESS IT IS A TYPE RECOMMENDED BY THE MANUFACTURER.

THIS APPLIANCE IS INTENDED TO BE USED ONLY IN HOUSEHOLDS AND NOT IN SIMILAR PREMISES, SUCH AS:

- KITCHENETTES IN SHOPS, OFFICES AND OTHER WORKPLACES;
- APPLIANCES USED BY GUESTS IN HOTELS, MOTELS, AND OTHER ACCOMMODATION FACILITIES;
- APPLIANCES USED IN BED AND BREAKFAST FACILITIES;
- APPLIANCES USED IN CATERING AND OTHER SIMILAR NON-VENDING ENVIRONMENTS.

DO NOT STORE EXPLOSIVE SUBSTANCES IN THIS APPLIANCE, SUCH AS AEROSOL CANS WITH A FLAMMABLE PROPELLANT GAS.



THE ISO 7000-1701 MARK (2004-01) INDICATES MEDIUM UNDER PRESSURE.



FIRE HAZARD / FLAMMABLE MATERIALS!

R600A

CONTAINS COOLING GAS ISOBUTANE WHICH IS FLAMMABLE. AVOID DAMAGING REFRIGERATION CIRCUIT COMPONENTS DURING TRANSPORT AND INSTALLATION OF THE APPLIANCE.

WARNING: WHEN PLACING THE APPLIANCE IT MUST BE ENSURED THAT THE SUPPLY CORD DOES NOT GET CAUGHT OR DAMAGED.

WARNING: DO NOT PLACE PORTABLE MULTIPLE SOCKET-OUTLETS OR PORTABLE EXTENSION CABLES TO THE REAR SIDE OF THE APPLIANCE.

- OPENING THE DOOR FOR A LONG TIME CAN CAUSE A SIGNIFICANT INCREASE IN THE TEMPERATURE INSIDE THE APPLIANCE.
- SURFACES NEED TO BE CLEANED REGULARLY.
- CONTACT A SERVICE CENTER FOR REPAIR OR REPLACEMENT OF LIGHTING.

OTHER RECOMMENDATIONS

- THE POWER CORD MUST NOT BE EXTENDED.
- PLEASE ENSURE THAT THE PLUG OF THE POWER CORD IS NOT DAMAGED, OTHERWISE IT COULD OVERHEAT AND CAUSE A FIRE.
- WHEN PLACING THE APPLIANCE IT MUST BE ENSURED THAT THE CABLE CORD DOES NOT GET CAUGHT OR DAMAGED.
- DO NOT PLACE PORTABLE MULTIPLE SOCKET-OUTLETS OR PORTABLE EXTENSION CABLE TO THE REAR SIDE OF THE APPLIANCE.
- THE APPLIANCE MUST NOT STAND ON THE POWER CORD.
- THE APPLIANCE MUST NOT BE PLACED IN A HUMID ENVIRONMENT; THE POWER CORD MUST NOT LIE IN WATER.
- MAKE SURE THAT YOU HAVE FREE ACCESS TO THE PLUG OF THE APPLIANCE.
- DO NOT PULL ON THE POWER CORD.
- IF AN ELECTRICAL OUTLET IS LOOSENED, DO NOT CONNECT THE PLUG TO IT. THERE IS A RISK OF ELECTRIC SHOCK OR FIRE.
- THIS APPLIANCE MUST NOT BE USED WITHOUT THE INTERIOR LIGHT COVER.
- THE REFRIGERATOR IS DESIGNED TO BE USED ONLY WITH ONE-PHASE ALTERNATING CURRENT POWER SUPPLY WITH VALUES OF 220 - 240 V / 50 HZ. IF THE VOLTAGE FLUCTUATION IN THE PLACE OF RESIDENCE OF THE USER IS SO GREAT THAT IT EXCEEDS THE GIVEN LIMITS, USE AN AUTOMATIC VOLTAGE REGULATOR WITH THE REFRIGERATOR OF MORE THAN 350 W FOR SAFETY REASONS.
- THE PLUG MUST BE USED WITH A SOCKET WITH AN EARTH CONTACT.

PART 2. INSTALLATION INSTRUCTIONS

- This appliance is designed to be free standing only, and should not be recessed or built-in.
- Place your unit on a floor that is strong enough to support the unit when it is fully loaded. To level your unit, adjust the leveling legs at the bottom of the unit.
- This appliance is not designed to be installed inside of a cabinet where the front is covered by any type of door.
- Allow 10 cm of space between the top, the back and sides of the wine unit, which allows the proper air circulation to cool the compressor and condenser.
- Locate the unit away from direct sunlight and sources of heat (stove, heater, radiator, etc.). Direct sunlight may affect the acrylic coating and heat sources may increase electrical consumption. Extreme cold ambient temperatures may also cause the unit not to perform properly.
- Avoid locating the unit in moist areas.
- Plug the unit into an exclusive, properly installed-grounded wall outlet. Do not under any circumstances cut or remove the third (ground) prong from the power cord. Any questions concerning power and/or grounding should be directed toward a certified electrician or an authorized Products service center.
- After plugging the Wine Chiller into a wall outlet, allow the unit to cool down for 2-3 hours before placing any items in the compartment.

Remark:

Please remember to keep some water in the cabinet to keep the humidity

For disposal of the appliance:

To prevent possible harm to the environment or human health from uncontrolled waste disposal, recycle it responsibly to promote the sustainable reuse of material resources. And the disposal should only be done through public collection points.

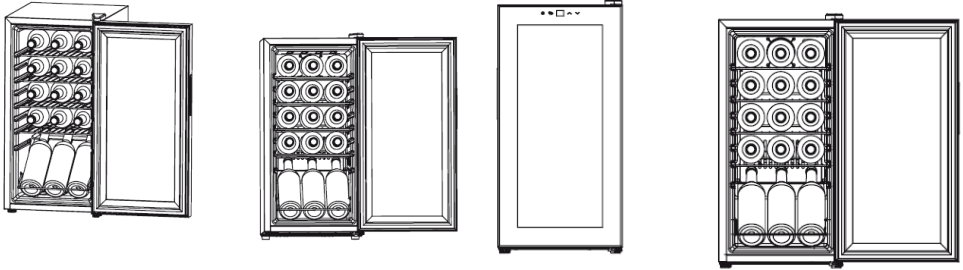
For installation, servicing:

Appliance should be placed on a horizontal floor and keep the ventilation freely. Don't try to replace or repair any components by yourself, ask the service agency for help if necessary.

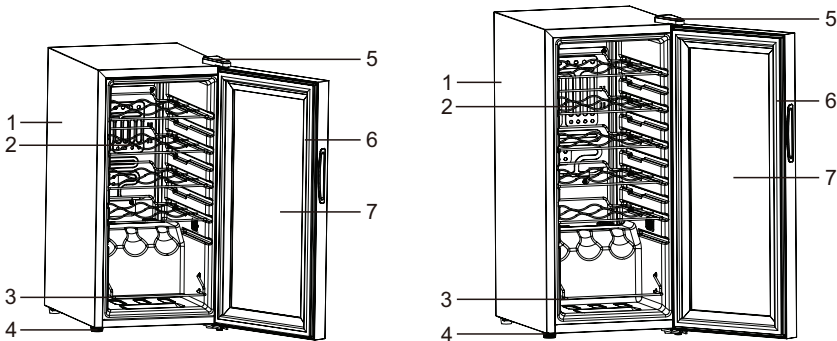
For handling:

Always handle the appliance to avoid any damage.

PART 3. OVERVIEW



PART 4. DESCRIPTION OF PART

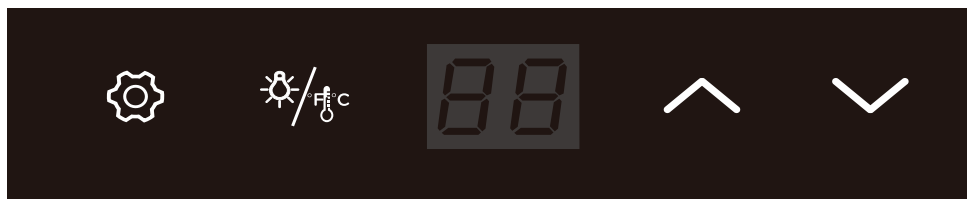


1. Cabinet
2. Shelf
3. Bottom wine rack
4. Adjustable feet
5. Door Hinge
6. Door gasket
7. Tempered glass door

- This appliance is not intended for use as a built-in appliance.

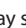
PART 5. OPERATING YOUR UNIT


SETTING THE TEMPERATURE CONTROL





Your wine cooler has been equipped with an “automatic” control panel lock, that will activate 20 seconds after the last time a button has been touched.

Push button  simultaneously for 2 seconds to unlock the control panel. You will hear a “BEEP” sound to alert you that the control is now active.

You can select temperature display setting from Fahrenheit to Celsius degree by pushing button  for 2 seconds. The degrees will appear in blue color in the temperature display window.

If the control panel is active, press the button  and the LED lighting inside the wine cellar will go out. If you want to turn on the LED lighting inside the wine shop, you will have to press this button again.

You can set the temperature as you desire by pushing button . The temperature that you desire to set will increase 1°F or 1°C if you push the button once.

You can set the temperature as you desire by pushing button . The temperature that you desire to set will decrease 1°F or 1°C if you push the button once.

ENERGY SAVING TIPS

- The unit should be located in the coolest area of the room, away from heat producing appliances, and out of the direct sunlight.
- Let hot foods cool to room temperature before placing in the unit. Overloading the unit forces the compressor to longer.
- Be sure to wrap foods properly, and wipe containers dry before placing them in the unit. This cuts down on frost build-up inside the unit.
- Unit storage bin should not be lined with aluminum foil, wax paper, or paper toweling. Liners interfere with cold air circulation, making the unit less efficient.
- Organize and label food to reduce door openings and extended searches. Remove as many items as needed at one time, and close the door as soon as possible.

Climate class

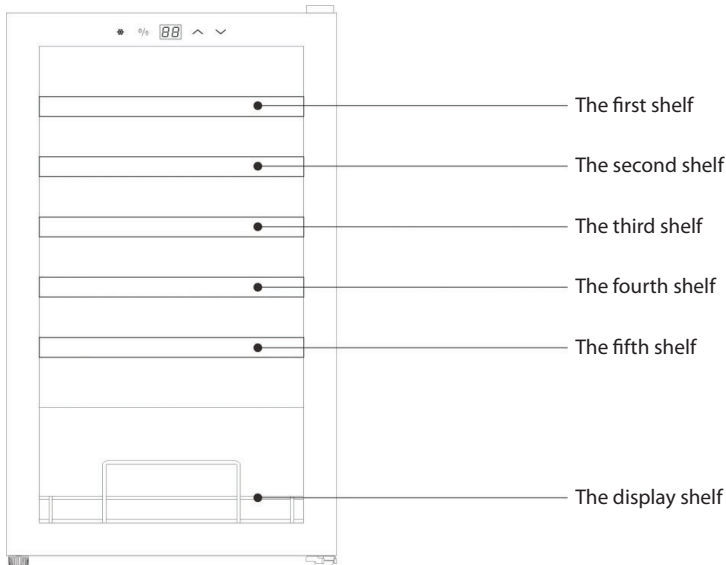
Acronym for ambient temperature range, ie SN, N, ST or T, in determining climate classes:

1. the extended temperate zone (SN) has a temperature range of 10 °C to 32 °C;
2. the temperate zone (N) has a temperature range of 16 °C to 32 °C;
3. the subtropical zone (ST) has a temperature range from 16 °C to 38 °C,
4. The tropical zone T has a temperature range of 16 °C to 43 °C.

- It is intended to be used exclusively for the storage of wine.
- This refrigerating appliance is not suitable for the freezing foodstuffs.
- The wine cooler is recommended to be designed at 12°C.
- The shelves placed in factory mode is the most efficient use of energy for the refrigerating appliances.
- The following combination of shelves is recommended for energy to be used as efficiently as possible by the refrigeration unit.

PW 18 KF

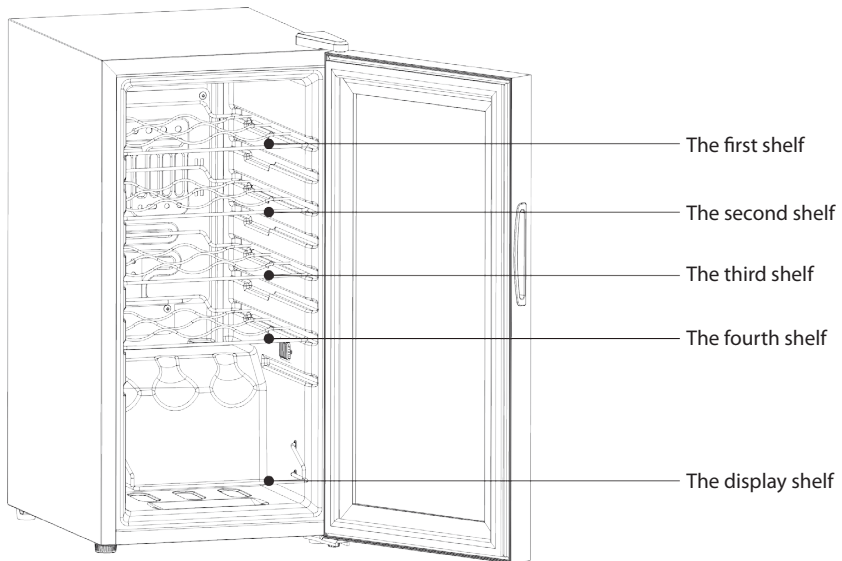
THERE ARE FIVE SHELVES AND ONE DISPLAY SHELF IN TOTAL



- WHEN THE SURROUNDING TEMPERATURE IS 25°C AND THE WINE COOLER HAS NO BOTTLE LOADED, IT WILL TAKE AROUND 30 MINUTES TO INCREASE THE WINE COOLER'S TEMPERATURE FROM 5°C TO 12°C. UNDER THE SAME CIRCUMSTANCE, IT WILL TAKE AROUND ONE HOUR TO DECREASE THE WINE COOLER'S TEMPERATURE FROM 12°C TO 5°C. THE LESS THE TEMPERATURE SPAN IS, THE LESS TIME IT WILL TAKE.
- THE WINE COOLER IS RECOMMENDED TO BE DESIGNED AT 12°C. THE ENERGY CONSUMPTION IS 0.329KWH/24H. IF THE SETTING TEMPERATURE IS HIGHER THAN 12°C, THE ENERGY CONSUMPTION WILL BE LOWER. IF THE SETTING TEMPERATURE IS LOWER THAN 12°C, THE ENERGY CONSUMPTION WILL BE HIGHER.
- WHEN THE COMPRESSOR WORKS FOR 8 HOURS, THE COMPRESSOR WILL STOP AND DEFROST FOR 45 MINUTES.

PW 15 KF

THERE ARE FOUR SHELVES AND ONE DISPLAY SHELF IN TOTAL



- WHEN THE SURROUNDING TEMPERATURE IS 25°C AND THE WINE COOLER HAS NO BOTTLE LOADED, IT WILL TAKE AROUND 30 MINUTES TO INCREASE THE WINE COOLER'S TEMPERATURE FROM 5°C TO 12°C. UNDER THE SAME CIRCUMSTANCE, IT WILL TAKE AROUND ONE HOUR TO DECREASE THE WINE COOLER'S TEMPERATURE FROM 12°C TO 5°C. THE LESS THE TEMPERATURE SPAN IS, THE LESS TIME IT WILL TAKE.
- THE WINE COOLER IS RECOMMENDED TO BE DESIGNED AT 12°C. THE ENERGY CONSUMPTION IS 0.392KWH/24H. IF THE SETTING TEMPERATURE IS HIGHER THAN 12°C, THE ENERGY CONSUMPTION WILL BE LOWER. IF THE SETTING TEMPERATURE IS LOWER THAN 12°C, THE ENERGY CONSUMPTION WILL BE HIGHER.
- WHEN THE COMPRESSOR WORKS FOR 12 HOURS, THE COMPRESSOR WILL STOP AND DEFROST FOR 40 MINUTES.

PART 6. PROBLEMS WITH YOUR APPLIANCE

You can solve many common problems easily, saving you the cost of a possible service call. Try the suggestions below to see if you can solve the problem before calling the servicer.

PART 7. TROUBLESHOOTING GUIDE

PROBLEM	POSSIBLE CAUSE
Unit does not operate.	Not plugged in. The circuit breaker tripped or a blown fuse.
Turns on and off frequently.	The room temperature is hotter than normal. A large amount of food has been added to the unit. The door is opened too often. The door is not closed completely. The temperature control is not set correctly. The door gasket does not seal properly. The unit does not have the correct clearances.
Vibrations.	Check to assure that the unit is level.
The unit seems to make too much noise.	The rattling noise may come from the flow of the refrigerant, which is normal. As each cycle ends, you may hear gurgling sounds caused by the flow of refrigerant in your unit. Contraction and expansion of the inside walls may cause popping and cracking noise. The unit is not level.
The door will not close properly.	The unit is not level. The door was reversed and not properly installed. The gasket is dirty or bent. The shelves, bins, or baskets are out of position.

PART 8. CLEANING AND MAINTENANCE

- Unplug the appliance from the mains socket before cleaning.
- Remove all bottles and shelves from the appliance.
- Clean the appliance with a soft cloth, warm water and detergent. Clean shelves with a slightly damp cloth. Dry thoroughly.
- Do not use any abrasive or cleaning agents.

The interior LED lights in the appliance cannot be replaced by the user. If the LED lights stop working, please contact the local authorised service agent.

PART 9. SPECIFICATIONS

Appliance type/ model	Wine Cooler PW 15 KF	Wine Cooler PW 18 KF
Rated current	0.6 A	0.6 A
Lamp power	1 W	1 W
Insulation blowing gas	Cyclopentane	Cyclopentane
Class of protection against electric shock	I	I
Refrigerant/Amount	R600a / 21 g	R600a / 21 g
Energy consumption	0.392 kWh / 24 h	0.392 kWh / 24 h
Bottle capacity	15	18

We apologise for any inconvenience caused by minor inconsistencies in these instructions, which may occur as a result of product improvement and development.

STORAGE INSTRUCTIONS

To avoid contamination of food, please respect the following instructions

- Opening the door for long periods can cause a significant increase of the temperature in the compartments of the appliance.
- Clean regularly surfaces that can come in contact with food and accessible drainage systems.

Compartments TYPE	Target storage temp. [°C]	Appropriate food
Wine	+5~+20	Red wine, white wine, sparkling wine etc.

PART 10. PRODUCT INFORMATION SHEET

Product Information Sheet

PHILCO 

COMMISSION DELEGATED REGULATION (EU) 2019/2016

Supplier's name or trademark: PHILCO

Supplier's address: PHILCO, FAST ČR, a.s. U Sanitasu 1621 Říčany 251 01, Czech Republic

Model identifier: PW 15 KF

Type of refrigerating appliance: Vine cooler

Low-noise appliance:	No	Design type:	freestanding
Wine storage appliance:	Yes	Other refrigerating appliance:	No

General product parameters:

Parameter	Value	Parameter	Value
Overall dimensions (millimetre)	Height	Total volume (dm ³ or l)	44
	Width		
	Depth		
Energy efficiency Index (EEL)	183	Energy efficiency class*	G
Airborne acoustical noise emissions (dB(A) re 1 pW)	41	Airborne acoustical noise emission class	C
Annual energy consumption (kWh/a)	143	Climate class:	N
Minimum ambient temperature (°C), for which the refrigerating appliance is suitable	16	Maximum ambient temperature (°C), for which the refrigerating appliance is suitable	32
Winter setting	No		

Compartment Parameters:

Compartment type		Compartment parameters and values			
		Compartment volume (dm ³ or l)	Recommended temperature setting for optimised food storage (°C) These settings shall not contradict the storage conditions set out in Annex IV, Table 3	Freezing capacity (kg/24h)	Defrosting type (auto-defrost=A, manual defrost=M)
Pantry	No	-	-	-	-
Wine storage	Yes	44	12	-	A
Cellar	No	-	-	-	-

Fresh food	Yes	-	-	-	-
Chill	No	-	-	-	-
0-star or ice-making	No	-	-	-	-
1-star	No	-	-	-	-
2-star	No	-	-	-	-
3-star	No	-	-	-	-
4-star	No	-	-	-	-
2-star section	Yes	-	-	-	-
Variable temperature compartment	-	-	-	-	-
Light source parameters:					
Type of light source	LED				
Energy efficiency class	-				
Minimum duration of the guarantee offered by the manufacturer: 24 months					
Additional information:					
Weblink to the manufacturer's website, where the information in point4(a) Annex of Commission Regulation (EU) 2019/2019 is found: www.philco.cz					

* A (highest efficiency) to G (lowest efficiency)

Product Information Sheet

PHILCO 

COMMISSION DELEGATED REGULATION (EU) 2019/2016

Supplier's name or trademark: PHILCO

Supplier's address: PHILCO, FAST ČR, a.s. U Sanitasu 1621 Říčany 251 01, Czech Republic

Model identifier: PW 18 KF

Type of refrigerating appliance: Vine cooler

Low-noise appliance:	No	Design type:	freestanding
----------------------	----	--------------	--------------

Wine storage appliance:	Yes	Other refrigerating appliance:	No
-------------------------	-----	--------------------------------	----

General product parameters:

Parameter	Value	Parameter	Value
Overall dimensions (millimetre)	Height	Total volume (dm ³ or l)	50
	Width		
	Depth		
Energy efficiency Index (EEL)	153	Energy efficiency class*	G
Airborne acoustical noise emissions (dB(A) re 1 pW)	43	Airborne acoustical noise emission class	D
Annual energy consumption (kWh/a)	120	Climate class:	N
Minimum ambient temperature (°C), for which the refrigerating appliance is suitable	16	Maximum ambient temperature (°C), for which the refrigerating appliance is suitable	32
Winter setting	No		

Compartment Parameters:

Compartment type	Compartment parameters and values				
	Compartment volume (dm ³ or l)	Recommended temperature setting for optimised food storage (°C) These settings shall not contradict the storage conditions set out in Annex IV, Table 3	Freezing capacity (kg/24h)	Defrosting type (auto-defrost=A, manual defrost=M)	
Pantry	No	-	-	-	-
Wine storage	Yes	50	12	-	A
Cellar	No	-	-	-	-

Fresh food	Yes	-	-	-	-
Chill	No	-	-	-	-
0-star or ice-making	No	-	-	-	-
1-star	No	-	-	-	-
2-star	No	-	-	-	-
3-star	No	-	-	-	-
4-star	No	-	-	-	-
2-star section	Yes	-	-	-	-
Variable temperature compartment	-	-	-	-	-
Light source parameters:					
Type of light source	LED				
Energy efficiency class	-				
Minimum duration of the guarantee offered by the manufacturer: 24 months					
Additional information:					
Weblink to the manufacturer's website, where the information in point4(a) Annex of Commission Regulation (EU) 2019/2019 is found: www.philco.cz					

* A (highest efficiency) to G (lowest efficiency)

TECHNICAL INFORMATION

Technical information can be found on the type plate on the inside of the appliance and on the energy label. The QR code, on the supplied energy label, contains a link to register the appliance in the EU Eprel database. Keep the energy label, the instructions for use, together with other documents supplied with the device.

TESTING INFORMATION

The delivered device is in accordance with EcoDesign and EN62552-1:2020, EN62552-2:2020, EN62552-3:2020, EN60704-2-14:2013 + A11:2015 + A1:2019, EN60704-1:2010 + A11:2012. Air access requirements for proper operation of the device, the minimum distance from the wall and the dimensions of the device are part of this manual. If you have any further questions, please contact the manufacturer.

CUSTOMER CARE AND SERVICE

Always use original spare parts.

Model name and serial number can be found on the rating plate. Position of rating plate can be changed without notice.

The original spare parts for some specific components are available for a minimum of 7 or 10 years, based on the type of component, from the placing on the market of the last unit of the model.

When contacting our authorized service, have the model designation, serial number and defect description available.

To download documents, visit www.philco.cz.

To report a defect and obtain additional service information, visit <https://philco.cz/podpora-a-servis>.

Subject to change without notice.

INSTRUCTIONS AND INFORMATION REGARDING THE DISPOSAL OF USED PACKAGING MATERIALS

Dispose of packaging material at a public waste disposal site.

DISPOSAL OF USED ELECTRICAL AND ELECTRONIC APPLIANCES



The meaning of the symbol on the product, its accessory or packaging indicates that this product shall not be treated as household waste. Please, dispose of this product at your applicable collection point for the recycling of electrical & electronic equipment waste. Alternatively in some states of the European Union or other European states you may return your products to your local retailer when buying an equivalent new product. The correct disposal of this product will help save valuable natural resources and help in preventing the potential negative impact on the environment and human health, which could be caused as a result of improper liquidation of waste. Please ask your local authorities or the nearest waste collection centre for further details. The improper disposal of this type of waste may fall subject to national regulations for fi nes.

For business entities in the European Union

If you wish to dispose of an electrical or electronic device, request the necessary information from your seller or supplier.

Disposal in other countries outside the European Union

If you wish to dispose of this product, request the necessary information about the correct disposal method from local government departments or from your seller.



This product meets all the basic EU regulation requirements that relate to it.

Changes to the text, design and technical specifications may occur without prior notice and we reserve the right to make these changes.

Original of this user manual is Czech.



WARNING! DURING USING, SERVICE AND DISPOSAL THE APPLIANCE, PLEASE PAY ATTENTION TO SYMBOL SIMILAR AS LEFT SIDE, WHICH IS LOCATED ON REAR OF APPLIANCE (REAR PANEL OR COMPRESSOR) AND WITH YELLOW OR ORANGE COLOR.



IT'S RISK OF RE WARNING SYMBOL. THERE ARE FLAMMABLE MATERIALS IN REFRIGERANT PIPES AND COMPRESSOR. PLEASE BE FAR AWAY RE SOURCE DURING USING, SERVICE AND DISPOSAL.

Vinotéka

NÁVOD K OBSLUZE

PHILCO



Famous for Quality the World Over

PW 15 KF

PW 18 KF

Děkujeme, že jste si vybrali tento výrobek.

Před požíváním své nové chladničky si prosím přečtěte tento návod k obsluze, abyste z ní získali co největší užitek.

OBSAH

ČÁST 1. BEZPEČNOSTNÍ POKYNY	2
ČÁST 2. INSTALAČNÍ POKYNY	6
ČÁST 3. PŘEHLED	7
ČÁST 4. POPIS JEDNOTLIVÝCH ČÁSTÍ	7
ČÁST 5. PROVOZ SPOTŘEBIČE	8
NASTAVENÍ REGULÁTORU TEPLoty	8
TIPY NA ÚSPORU ENERGIE	8
VE SPOTŘEBIČI SE NACHÁZÍ PĚT POLIC A DRÁTĚNÝ DRŽÁK	9
VE SPOTŘEBIČI SE NACHÁZEJÍ ČTYŘI POLICE A DRÁTĚNÝ DRŽÁK	10
ČÁST 6. PROBLÉMY SE SPOTŘEBIČEM	11
ČÁST 7. ODSTRANĚNÍ MOŽNÝCH PROBLÉMŮ	11
ČÁST 8. ČIŠTĚNÍ A ÚDRŽBA	12
ČÁST 9. TECHNICKÉ ÚDAJE	12
POKYNY KE SKLADOVÁNÍ	12
ČÁST 10. INFORMAČNÍ LIST	13
TECHNICKÉ INFORMACE	17
INFORMACE O TESTOVÁNÍ	17
PÉČE O ZÁKAZNÍKA A SERVIS	17
POKYNY A INFORMACE TÝKAJÍCÍ SE LIKVIDACE POUŽITÝCH OBALOVÝCH MATERIÁLŮ	18
LIKVIDACE POUŽITÝCH ELEKTRICKÝCH A ELEKTRONICKÝCH SPOTŘEBIČŮ	18



Zařízení bylo testováno podle platných směrnic Evropské unie. Zařízení vyhovuje bezpečnostním ustanovením platným pro elektrické spotřebiče v Evropské unii.

ČÁST 1: BEZPEČNOSTNÍ POKYNY

TENTO SPOTŘEBIČ MOHOU POUŽÍVAT DĚTI VE VĚKU 8 LET A STARŠÍ A OSOBY SE SNÍŽENÝMI FYZICKÝMI, SMYSLOVÝMI NEBO MENTÁLNÍMI SCHOPNOSTMI NEBO S NEDOSTATKEM ZKUŠENOSTÍ A ZNALOSTÍ, POKUD JSOU POD DOZOREM NEBO BYLY POUČENY O POUŽÍVÁNÍ SPOTŘEBIČE BEZPEČNÝM ZPŮSOBEM A ROZUMÍ PŘÍPADNÝM NEBEZPEČÍM.

DĚTI SI SE SPOTŘEBIČEM NESMĚJÍ HRÁT. ČIŠTĚNÍ A ÚDRŽBU NESMĚJÍ PROVÁDĚT DĚTI BEZ DOZORU. DĚTI VE VĚKU 3 AŽ 8 LET MOHOU VKLÁDAT A VYJÍMAT POTRAVINY Z CHLADICÍCH SPOTŘEBIČŮ.

POKUD JE PŘÍVODNÍ KABEL POŠKOZEN, JEHO VÝMĚNU SVĚŘTE ODBORNÉMU SERVISNÍMU STŘEDISKU, ABY SE ZABRÁNILO VZNIKU NEBEZPEČNÉ SITUACE. SPOTŘEBIČ S POŠKOZENÝM PŘÍVODNÍM KABLEM JE ZAKÁZÁNO POUŽÍVAT.

VÝSTRAHA: VĚTRACÍ OTVORY V KRYTU SPOTŘEBIČE NEBO V JEHO KONSTRUKCI JE NUTNO UDRŽOVAT VOLNÉ.

VÝSTRAHA: K URYCHLENÍ ODMRAZOVACÍHO PROCESU NEPOUŽÍVAT MECHANICKÁ ZAŘÍZENÍ NEBO JINÉ PROSTŘEDKY NEŽ TY, KTERÉ JSOU DOPORUČENY VÝROBCEM.

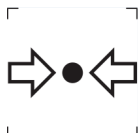
VÝSTRAHA: NEPOŠKOZOVAT CHLADICÍ OBVOD.

VÝSTRAHA: NEPOUŽÍVAT ELEKTRICKÉ SPOTŘEBIČE V PROSTORU PRO UCHOVÁVÁNÍ POTRAVIN SPOTŘEBIČE, POKUD SE NEJEDNÁ O TYPY DOPORUČENÉ VÝROBCEM.

TENTO SPOTŘEBIČ JE URČEN PRO POUŽITÍ VÝHRADNĚ V DOMÁCNOSTI A NIKOLIV V PODOBNÝCH PROSTORECH, JAKO JSOU:

- KUCHYŇSKÉ KOUTY V OBCHODECH, KANCELÁŘÍCH A OSTATNÍCH PRACOVIŠTÍCH;
- SPOTŘEBIČE POUŽÍVANÉ HOSTY V HOTELÍCH, MOTELECH A JINÝCH OBYTNÝCH PROSTŘEDÍCH;
- SPOTŘEBIČE POUŽÍVANÉ V PODNICÍCH ZAJIŠŤUJÍCÍCH NOCLEH SE SNÍDANÍ;
- SPOTŘEBIČE POUŽÍVANÉ VE STRAVOVACÍCH A PODOBNÝCH NEPRODEJNÍCH PROSTŘEDÍCH.

NEUKLÁDAT V TOMTO SPOTŘEBIČI VÝBUŠNÉ LÁTKY TAKOVÉ, JAKO JSOU SPREJE S HOŘLAVÝM HNACÍM PLYNEM.



ZNAČKA ISO 7000-1701 (2004-01) OZNAČUJE MÉDIUM POD TLAKEM.



NEBEZPEČÍ OHNĚ / HOŘLAVÉ MATERIÁLY!

R600A

OBSAHUJE CHLADICÍ PLYN IZOBUTAN, KTERÝ JE HOŘLAVÝ. BĚHEM PŘEPRAVY A INSTALACE SPOTŘEBIČE ZABRAŇTE POŠKOZENÍ KOMPONENT CHLADICÍHO OKRUHU.

VÝSTRAHA: PŘI UMÍSTOVÁNÍ SPOTŘEBIČE SE MUSÍ ZAJISTIT, ABY NAPÁJECÍ PŘÍVOD NEBYL ZACHYCEN NEBO POŠKOZEN.

VÝSTRAHA: NEUMÍSTOVAT VÍCENÁSOBNÉ PŘENOSNÉ ZÁSUVKY NEBO PŘENOSNÉ PRODLUŽOVACÍ PŘÍVODY NA ZADNÍ STRANU SPOTŘEBIČE.

- OTEVŘENÍ DVÍŘEK NA DLOUHOU DOBU MŮŽE ZPŮSOBIT VÝRAZNÉ ZVÝŠENÍ TEPLoty V PROSTORÁCH SPOTŘEBIČE.
- JE TŘEBA PRAVIDELNĚ ČISTIT POVRCHY.
- OHLEDNĚ OPRAVY ČI VÝMĚNY OSVĚTLENÍ KONTAKTUJTE SERVISNÍ STŘEDISKO.

OSTATNÍ DOPORUČENÍ

- NAPÁJECÍ KABEL NESMÍ BÝT PRODLUŽOVÁN.
- UJISTĚTE SE, ŽE ZÁSTRČKA NAPÁJECÍHO KABELU NENÍ POŠKOZENÁ, MOHLA BY SE PŘEHŘÍVAT A ZPŮSOBIT POŽÁR.
- PŘI UMISŤOVÁNÍ SPOTŘEBIČE SE MUSÍ ZAJISTIT, ABY NAPÁJECÍ KABEL NEBYL ZACHYCEN, NEBO POŠKOZEN.
- NEUMISŤUJTE VÍCENÁSOBNÉ PŘENOSNÉ ZÁSUVKY, NEBO PŘENOSNÉ PRODLUŽOVACÍ KABELY NA ZADNÍ STRANU SPOTŘEBIČE.
- SPOTŘEBIČ NESMÍ STÁT NA PŘÍVODNÍM KABELU.
- SPOTŘEBIČ NESMÍ BÝT UMÍSTĚN VE VLHKÉM PROSTŘEDÍ, PŘÍVODNÍ KABEL NESMÍ LEŽET VE VODĚ.
- UJISTĚTE SE, ŽE MÁTE VOLNÝ PŘÍSTUP K ZÁSTRČCE SPOTŘEBIČE.
- NETAHEJTE ZA NAPÁJECÍ KABEL.
- POKUD JE ELEKTRICKÁ ZÁSUVKA UVOLNĚNÁ, NEPŘIPOJUJTE K NÍ ZÁSTRČKU. HROZÍ RIZIKO ÚRAZU ELEKTRICKÝM PROUDEM, NEBO RIZIKO VZNIKU POŽÁRU.
- TENTO SPOTŘEBIČ NESMÍTE POUŽÍVAT BEZ KRYTU VNITŘNÍHO OSVĚTLENÍ.
- CHLADNIČKA JE URČENA POUZE NA NAPÁJENÍ Z JEDNÉ FÁZE STŘÍDAVÉHO PROUDU S HODNOTAMI 220 – 240V/50HZ. POKUD JE KOLÍSÁNÍ NAPĚTÍ V MÍSTĚ BYDLIŠTĚ UŽIVATELE TAK VELKÉ, ŽE PŘESAHUJE UVEDENÉ LIMITY, Z BEZPEČNOSTNÍCH DŮVODŮ POUŽIJTE PRO CHLADNIČKU AUTOMATICKÝ NAPĚŤOVÝ REGULÁTOR S VÍCE NEŽ 350W.
- ZÁSTRČKA MUSÍ ODPOVÍDAT ZÁSUVCE S UZEMŇOVACÍM KONTAKTEM.

ČÁST 2. INSTALAČNÍ POKYNY

- Tento spotřebič je navržen pouze na volné postavení a neměl by být zabudován nebo vestavěn.
- Umístěte svůj spotřebič na podlahu, která je dostatečně pevná na to, aby unesla spotřebič, který je zcela naplněn. Chcete-li spotřebič vyrovnat, upravte nastavovací nožičky ve spodní části spotřebiče.
- Tento spotřebič není určen k tomu, aby byl nainstalován uvnitř skříňky, kde je přední část zakryta nějakým typem dvířek.
- Ponechte 10 cm prostoru mezi horní, zadní a bočními částmi spotřebiče, což umožní správnou cirkulaci vzduchu za účelem chlazení kompresoru a kondenzátoru.
- Umístěte spotřebič co nejdále od přímého slunečního záření a zdrojů tepla (kamna, ohřivač, radiátor, atd.). Přímé sluneční záření může ovlivnit akrylový povrch a zdroje tepla mohou zvýšit spotřebu elektrické energie. Také prostředí s extrémně nízkými teplotami může způsobit to, že spotřebič nebude fungovat správně.
- Vyhnete se umístění spotřebiče na vlhkých místech.
- Spotřebič připojte k vyhrazené, správně nainstalované a uzemněné elektrické zásuvce. Za žádných okolností neodřezávejte ani neodstraňujte třetí (uzemňovací) výstupek napájecího kabelu. Jakékoli dotazy týkající se napájení a/nebo uzemnění byste měli nasměrovat na autorizovaného elektrikáře nebo na autorizované servisní středisko.
- Po připojení spotřebiče k elektrické zásuvce ho ponechte na 2–3 hodiny vychladnout, než do chladicího prostoru vložíte nějaké předměty.

Poznámka:

Nezapomeňte prosím ponechat ve skříni spotřebiče trochu vody, abyste udrželi vlhkost.

Likvidace spotřebiče:

Abyste zabránili možným škodám na životním prostředí nebo lidském zdraví při nekontrolované likvidaci odpadu, zodpovědně ho recyklujte, na podporu udržitelného opětovného využití materiálních zdrojů. A likvidace by měla být provedena pouze prostřednictvím veřejných sběrných míst.

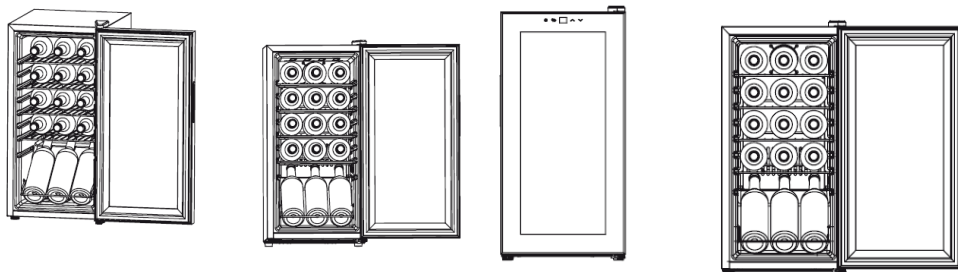
Instalace, servis:

Spotřebič by měl být umístěn na vodorovné podlaze a mělo by být zajištěno volné větrání. Nepokoušejte se vyměňovat ani opravovat jakékoli části spotřebiče svépomocí, v případě potřeby požádejte o pomoc servisní středisko.

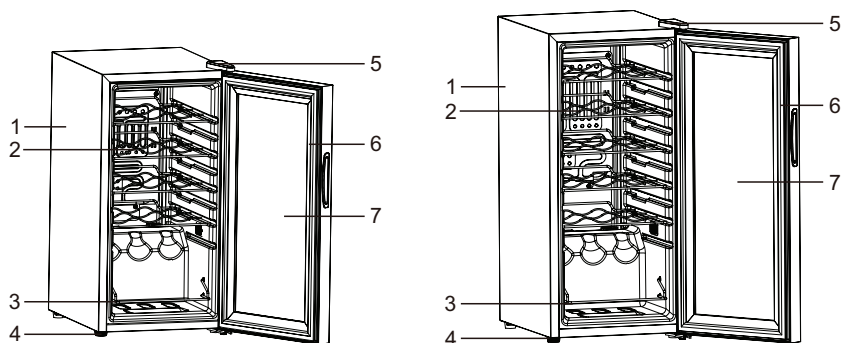
Manipulace:

Abyste předešli poškození, vždy manipulujte se spotřebičem opatrně.

ČÁST 3. PŘEHLED



ČÁST 4. POPIS JEDNOTLIVÝCH ČÁSTÍ

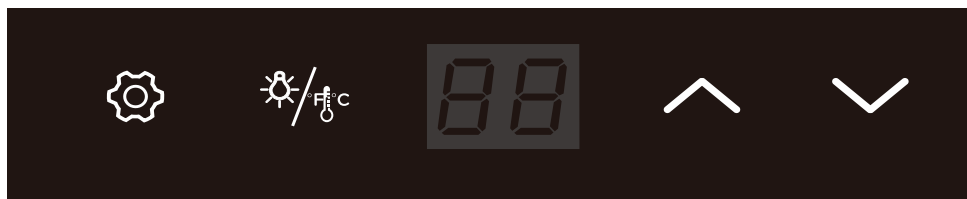


1. Skříňka spotřebiče
2. Polička
3. Spodní regál na víno
4. Vyrovnávací nožičky
5. Závěs dvířek
6. Těsnění dvířek
7. Dvířka z tvrdého skla


- Tento spotřebič není určen k použití jako vestavný spotřebič.

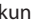
ČÁST 5. PROVOZ SPOTŘEBIČE

NASTAVENÍ REGULÁTORU TEPLoty



Váš spotřebič byl vybaven „automatickým“ zámek ovládacího panelu, který se aktivuje 20 sekund od posledního dotyku nějakého tlačítka.

Podržním tlačítka  stisknutého na 2 sekundy odemknete ovládací panel. Uslyšíte „AKUSTICKÝ SIGNÁL“ který vás upozorní na to, že ovládací prvky jsou nyní aktivní.

Stisknutím tlačítka  na 2 sekundy můžete zvolit nastavení zobrazení teploty mezi stupni Fahrenheita a Celsia. Stupně se zobrazí modrou barvou v okénku zobrazení teploty.

Pokud je ovládací panel aktivní, stisknete tlačítko  a LED osvětlení uvnitř vinotéky zhasne. Pokud chcete LED osvětlení uvnitř vinotéky zapnout, budete muset znovu stisknout toto tlačítko.

Požadovanou teplotu lze nastavit stisknutím tlačítka . Po jednom stisknutí tlačítka se požadovaná teplota zvýší o 1 °F nebo 1 °C.

Požadovanou teplotu lze nastavit stisknutím tlačítka . Po jednom stisknutí tlačítka se požadovaná teplota sníží o 1 °F nebo 1 °C.

TIPY NA ÚSPORU ENERGIE

- Chladnička by měla být umístěna v nejchladnější části místnosti, co nejdál od zařízení vytvářejících teplo a mimo přímého slunečního záření.
- Než vložíte horké potraviny do spotřebiče, nechte je vychladnout na pokojovou teplotu. Přeplnění spotřebiče nutí kompresor pracovat déle.
- Nezapomeňte potraviny správně zabalit a otřete nádoby dosucha předtím, než je vložíte do spotřebiče. Tím se sníží tvorba námrazy uvnitř spotřebiče.
- Skladovací prostor spotřebiče nesmí být obalen hliníkovou fólií, voskovým papírem nebo papírovou utěrkou. Toto obložení by zasahovalo do cirkulace studeného vzduchu, což snižuje účinnost spotřebiče.
- Uspořádejte a označte potraviny, abyste omezili počet otevírání dvířek a dlouhodobé vyhledávání. Vyndejte co nejdříve potřebných položek současně a jakmile to bude možné, zavřete dvířka.

Klimatická třída

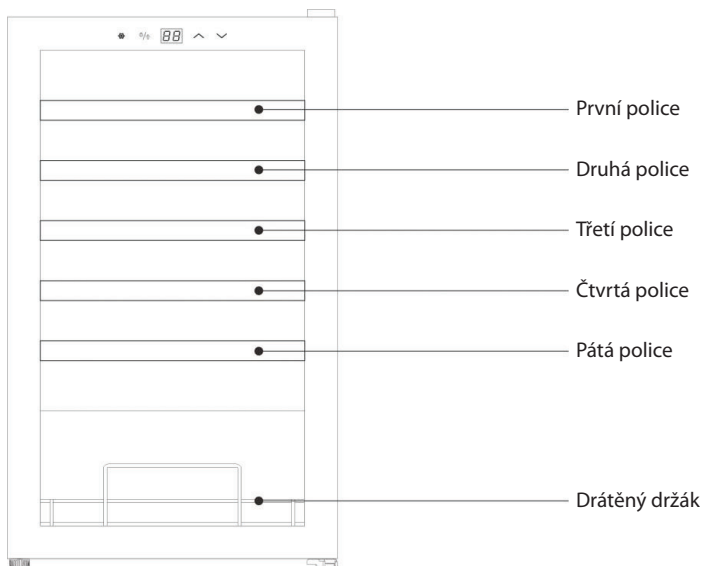
Akronym pro rozmezí teploty okolí, tj. SN, N, ST nebo T, při určování klimatických tříd:

1. rozšířené mírné pásmo (SN) má rozmezí teploty od 10 °C do 32 °C;
2. mírné pásmo (N) má rozmezí teploty od 16 °C do 32 °C;
3. subtropické pásmo (ST) má rozmezí teploty od 16 °C do 38 °C a
4. tropické pásmo (T) má rozmezí teploty od 16 °C do 43 °C.

- Tento spotřebič je určen výhradně pro skladování vína.
- Tento spotřebič není vhodný pro mrazení potravin.
- Teplotu ve spotřebiči doporučujeme nastavit na 12 °C.
- Police jsou z výroby rozmístěny tak, aby byla neefektivněji využita energie.
- Na co neefektivnější využití energie doporučujeme následující kombinace polic ve spotřebiči.

PW 18 KF

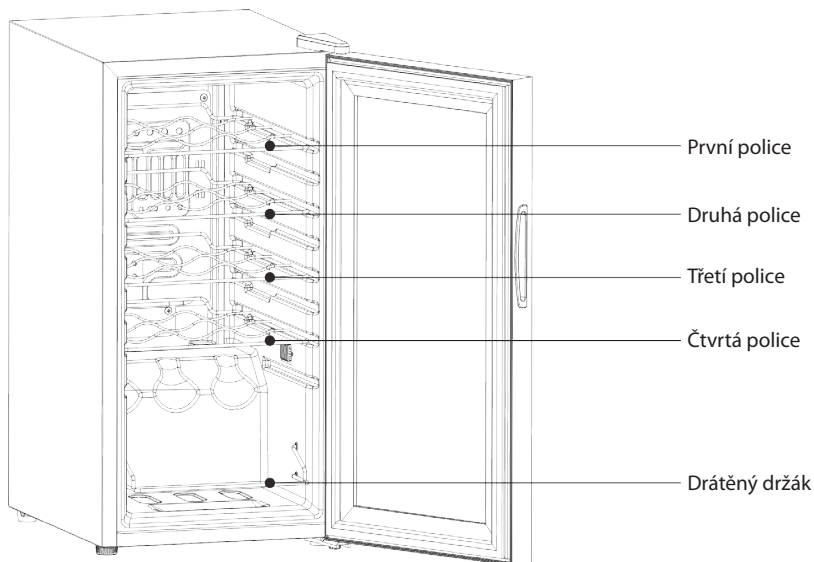
VE SPOTŘEBIČI SE NACHÁZÍ PĚT POLIC A DRÁTĚNÝ DRŽÁK



- KDYŽ JE OKOLNÍ TEPLOTA 25 °C A VE SPOTŘEBIČI NEJSOU VLOŽENY LÁHVE, ZVÝŠENÍ TEPLoty VE SPOTŘEBIČI Z 5 °C NA 12 °C BUDE TRVAT PŘIBLIŽNĚ 30 MINUT. PŘI STEJNÝCH PODMÍNKÁCH BUDE SNÍŽENÍ TEPLoty Z 12 °C NA 5 °C TRVAT PŘIBLIŽNĚ HODINU. ČÍM MENŠÍ BUDE TEPLotNÍ ROZPĚTÍ, TÍM KRATŠÍ DOBU BUDE TRVAT ZVÝŠENÍ NEBO SNÍŽENÍ TEPLoty.
- DOPORUČUJEME TEPLotu VE SPOTŘEBIČI NASTAVIT NA 12 °C. SPOTŘEBA ENERGIE PŘI TOMTO NASTAVENÍ JE 0,329 KWH / 24H. JESTLIŽE JE NASTAVENÁ TEPLota VYŠŠÍ NEŽ 12 °C, SPOTŘEBA ENERGIE BUDE NIŽŠÍ. JESTLIŽE JE NASTAVENÁ TEPLota NIŽŠÍ NEŽ 12 °C, SPOTŘEBA ENERGIE BUDE VYŠŠÍ.
- KDYŽ KOMPRESOR PRACUJE 8 HODIN BEZ PŘESTÁVKY, NA 45 MINUT SE ZASTAVÍ A ODMRAZÍ SE.

PW 15 KF

VE SPOTŘEBIČI SE NACHÁZEJÍ ČTYŘI POLICE A DRÁTĚNÝ DRŽÁK



- KDYŽ JE OKOLNÍ TEPLOTA 25 °C A VE SPOTŘEBIČI NEJSOU VLOŽENY LÁHVE, ZVÝŠENÍ TEPLoty VE SPOTŘEBIČI Z 5 °C NA 12 °C BUDE TRVAT PŘIBLIŽNĚ 30 MINUT. PŘI STEJNÝCH PODMÍNKÁCH BUDE SNÍŽENÍ TEPLoty Z 12 °C NA 5 °C TRVAT PŘIBLIŽNĚ HODINU. ČÍM MENŠÍ BUDE TEPLotNÍ ROZPĚTÍ, TÍM KRATŠÍ DOBU BUDE TRVAT ZVÝŠENÍ NEBO SNÍŽENÍ TEPLoty.
- DOPORUČUJEME TEPLotu VE SPOTŘEBIČI NASTAVIT NA 12 °C. SPOTŘEBA ENERGIE PŘI TOMTO NASTAVENÍ JE 0,392 KWH / 24H. JESTLIŽE JE NASTAVENÁ TEPLota VYŠŠÍ NEŽ 12 °C, SPOTŘEBA ENERGIE BUDE NIŽŠÍ. JESTLIŽE JE NASTAVENÁ TEPLota NIŽŠÍ NEŽ 12 °C, SPOTŘEBA ENERGIE BUDE VYŠŠÍ.
- KDYŽ KOMPRESOR PRACUJE 12 HODIN BEZ PŘESTÁVKY, NA 40 MINUT SE ZASTAVÍ A ODMRAŽÍ SE.

ČÁST 6. PROBLÉMY SE SPOTŘEBIČEM

Mnoho běžných problémů můžete vyřešit snadno a ušetřit tak náklady na případné volání servisu. Vyzkoušejte níže uvedená doporučení, abyste zjistili, zda můžete vyřešit problém dříve než zavoláte servis.

ČÁST 7. ODSTRANĚNÍ MOŽNÝCH PROBLÉMUŮ

PROBLÉM	MOŽNÁ PŘÍČINA
Spotřebič nefunguje.	Není připojen k elektrické síti. Došlo k vypnutí jističe nebo vypálení pojistky.
Časté zapínání a vypínání spotřebiče.	Teplota v místnosti je vyšší než normálně. Do spotřebiče bylo vloženo velké množství potravin. Dvířka byly otevírána příliš často. Dvířka nejsou zavřená úplně. Regulátor teploty není nastaven správně. Těsnění dvířek netěsní správně. Spotřebič nemá dostatek prostoru kolem.
Vibrace.	Zkontrolujte, zda je spotřebič v rovině.
Zdá se, že spotřebič je velmi hlučný.	Rachot může být slyšet při průtoku chladiva, což je normální. Po ukončení každého cyklu, můžete slyšet klokotání způsobené prouděním chladiva ve spotřebiči. Stahování a roztahování vnitřních stěn spotřebiče, může způsobit zvuky praskání a pukání. Spotřebič není rovně.
Dvířka se nezavírou správně.	Spotřebič není rovně. Dvířka byla otočena a nebyla nainstalována správně. Těsnění je znečištěno nebo ohnuto. Poličky, přihrádky nebo koše jsou vysunuty.

ČÁST 8. ČIŠTĚNÍ A ÚDRŽBA

- Před čištěním vždy odpojte spotřebič od elektrické sítě.
- Vyndejte všechny láhve a poličky ze spotřebiče.
- Spotřebič vyčistěte jemnou tkaninou navlhčenou v teplé vodě s čisticím prostředkem. Poličky vyčistěte pomocí jemně navlhčené tkaniny. Důkladně je vysušte.
- Na čištění nikdy nepoužívejte žádné abrazivní nebo čisticí prostředky.

Vnitřní LED osvětlení ve spotřebiči nemůže vyměňovat uživatel. Pokud přestane LED osvětlení fungovat, obraťte se prosím na autorizované servisní středisko.

ČÁST 9. TECHNICKÉ ÚDAJE

Typ/model spotřebiče	Vinotéka PW 15 KF	Vinotéka PW 18 KF
Jmenovitý proud	0,6 A	0,6 A
Výkon osvětlení	1 W	1 W
Izolační plyn	Cyklopentan	Cyklopentan
Třída ochrany před úrazem elektrickým proudem	I	I
Chladivo/Množství	R600a/21 g	R600a/21 g
Spotřeba elektrické energie	0,392 kWh/24 h	0,392 kWh/24 h
Kapacita naplnění láhvemi	15	18

Omlouváme se za jakékoliv nepříjemnosti způsobené malými nesrovnalostmi v těchto pokynech, které se mohou vyskytnout v důsledku vylepšení a vývoje produktu.

POKYNY KE SKLADOVÁNÍ

Respektujte prosím následující pokyny, aby nedošlo ke kontaminaci potravin

- Dlouhé otevírání dvířek může způsobit výrazné zvýšení teploty v oddílech spotřebiče.
- Pravidelně čistěte povrchy, které mohou přijít do styku s potravinami a přístupnými drenážními systémy.

TYP prostoru	Cílová teplota skladování [°C]	Vhodné potraviny
Víno	+5 ~ +20	Červené víno, bílé víno, šumivé víno atd.

ČÁST 10. INFORMAČNÍ LIST

Informační list

PHILCO 

DELEGOVANÉ NAŘÍZENÍ KOMISE (EU) 2019/2016

Název nebo ochranná známka výrobce: PHILCO

Adresa výrobce: PHILCO, FAST ČR, a.s. U Sanitasu 1621 Říčany 251 01, Czech Republic

Identifikační značka modelu: PW 15 KF

Typ chladicího zařízení: Vinotéka

Nízkohlučný spotřebič:	Ne	Typ spotřebiče:	volně stojící
------------------------	----	-----------------	---------------

Zařízení pro skladování vína:	Ano	Ostatní chladicí spotřebiče	Ne
-------------------------------	-----	-----------------------------	----

Základní specifikace:

Parametr	Hodnota	Parametr	Hodnota
Rozměry v mm	Výška	Celkový objem (dm ³ nebo l)	44
	Šířka		
	Hloubka		
Index energetické účinnosti (EEL)	183	Třída energetické účinnosti*	G
Akustický zvuk emise hluku (dB(A) re 1 pW)	41	Třída akustických emisí hluku	C
Roční spotřeba energie (kWh/rok)	143	Klimatická třída:	N
Minimální okolní teplota (° C), pro které je chladicí zařízení vhodné	16	Maximální okolní teplota (° C), pro které je chlazení zařízení je vhodné	32
Nastavení spotřebiče na zimu	Ne		

Specifikace prostoru

Typ prostoru	Parametry a hodnoty chladicího prostoru				
	Objem spotřebiče (dm ³ nebo l)	Doporučené nastavení teploty pro optimalizované skladování potravin (° C)	Mrazicí kapacita (kg/24h)	Typ odmrazování:	
Komora / spíž	Ne	-	-	-	(auto-odmrazování = A)
Skladování vína	Ano	44	12	-	manuální odmrazování = M)
Sklepní prostor	Ne	-	-	-	-
Čerstvé potraviny	Ne	-	-	-	-
Mrazicí prostor	Ne	-	-	-	-
0-hvězdička nebo výrobce ledu	Ne	-	-	-	-

1-hvězdička	Ne	-	-	-	-
2-hvězdička	Ne	-	-	-	-
3-hvězdička	Ne	-	-	-	-
4-hvězdička	Ne	-	-	-	-
2-hvězdičkový prostor	Ne	-	-	-	-
Zásuvka s měnící se teplotou	Ne	-	-	-	-
Parametry zdroje světla:					
Typ světelného zdroje			LED		
Třída energetické účinnosti			-		
Minimální doba trvání záruky nabízené výrobcem: 24 měsíců					
Dodatečné informace:					
Webový odkaz na web výrobce, kde jsou informace uvedené v bodě 4 (a) přílohy nařízení Komise (EU) 2019/2022 nalezeno: www.philco.cz					

* A (nejvyšší účinnost) až G (nejnižší účinnost)

Informační list

PHILCO 

DELEGOVANÉ NAŘÍZENÍ KOMISE (EU) 2019/2016

Název nebo ochranná známka výrobce: PHILCO

Adresa výrobce: PHILCO, FAST ČR, a.s. U Sanitatu 1621 Říčany 251 01, Czech Republic

Identifikační značka modelu: PW 18 KF

Typ chladicího zařízení: Vinotéka

Nízkohlučný spotřebič:	Ne	Typ spotřebiče:	volně stojící
Zařízení pro skladování vína:	Ano	Ostatní chladicí spotřebiče	Ne

Základní specifikace:

Parametr	Hodnota	Parametr	Hodnota
Rozměry v mm	Výška	Celkový objem (dm ³ nebo l)	50
	Šířka		
	Hloubka		
Index energetické účinnosti (EEL)	153	Třída energetické účinnosti*	G
Akustický zvuk emise hluku (dB(A) re 1 pW)	43	Třída akustických emisí hluku	D
Roční spotřeba energie (kWh/rok)	120	Klimatická třída:	N
Minimální okolní teplota (° C), pro které je chladicí zařízení vhodné	16	Maximální okolní teplota (° C), pro které je chlazení zařízení je vhodné	32
Nastavení spotřebiče na zimu	Ne		

Specifikace prostoru

Typ prostoru	Parametry a hodnoty chladicího prostoru				
	Objem spotřebiče (dm ³ nebo l)	Doporučené nastavení teploty pro optimalizované skladování potravin (° C)	Mrazicí kapacita (kg/24h)	Typ odmrazování: (auto-odmrazování = A manuální odmrazování = M)	
Komora / spíž	Ne	-	-	-	-
Skladování vína	Ano	50	12	-	A
Sklepní prostor	Ne	-	-	-	-
Čerstvé potraviny	Ne	-	-	-	-
Mrazicí prostor	Ne	-	-	-	-
0-hvězdička nebo výrobce ledu	Ne	-	-	-	-

1-hvězdička	Ne	-	-	-	-
2-hvězdička	Ne	-	-	-	-
3-hvězdička	Ne	-	-	-	-
4-hvězdička	Ne	-	-	-	-
2-hvězdičkový prostor	Ne	-	-	-	-
Zásuvka s měnící se teplotou	Ne	-	-	-	-
Parametry zdroje světla:					
Typ světelného zdroje			LED		
Třída energetické účinnosti			-		
Minimální doba trvání záruky nabízené výrobcem: 24 měsíců					
Dodatečné informace:					
Webový odkaz na web výrobce, kde jsou informace uvedené v bodě 4 (a) přílohy nařízení Komise (EU) 2019/2022 nalezeno: www.philco.cz					

* A (nejvyšší účinnost) až G (nejnižší účinnost)

TECHNICKÉ INFORMACE

Technické informace se nachází na typovém štítku na vnitřní straně spotřebiče a na energetickém štítku. QR kód, na dodaném energetickém štítku, obsahuje odkaz na registraci spotřebiče v databázi EU Eprel. Uchovejte si energetický štítek, návod k použití, spolu s dalšími dokumenty dodanými s přístrojem.

INFORMACE O TESTOVÁNÍ

Dodané zařízení je v souladu s EcoDesignem a EN62552-1:2020, EN62552-2:2020, EN62552-3:2020, EN60704-2-14:2013 + A11:2015 + A1:2019, EN60704-1:2010 + A11:2012. Požadavky na přístup vzduchu pro správný provoz přístroje, minimální vzdálenost od zdi a rozměry přístroje, jsou součástí tohoto návodu. V případě dalších dotazů se obraťte na výrobce.

PÉČE O ZÁKAZNÍKA A SERVIS

Vždy používejte pouze originální náhradní díly.

Označení modelu a sériové číslo naleznete na typovém štítku. Polohu typového štítku je možné změnit bez předchozího upozornění.

Originální náhradní díly pro některé konkrétní komponenty jsou k dispozici minimálně 7 nebo 10 let.

Závisí to na typu komponentu a na uvedení posledního spotřebiče daného modelu na trh.

Při kontaktování našeho autorizovaného servisu mějte k dispozici modelové označení, sériové číslo a popis závady.

Pro stažení dokumentů navštivte www.philco.cz.

Pro nahlášení závady a získání dalších servisních informací navštivte <https://philco.cz/podpora-a-servis>.

Změny vyhrazeny bez předchozího upozornění.

POKYNY A INFORMACE TÝKAJÍCÍ SE LIKVIDACE POUŽITÝCH OBALOVÝCH MATERIÁLŮ

Obalové materiály zlikvidujte na veřejném místě pro likvidaci odpadu.

LIKVIDACE POUŽITÝCH ELEKTRICKÝCH A ELEKTRONICKÝCH SPOTŘEBIČŮ



Význam symbolu na výrobku, jeho příslušenství nebo obalu znamená, že s tímto výrobkem nesmí být zacházeno jako s komunálním odpadem. Tento výrobek zlikvidujte na příslušném sběrném místě pro recyklaci odpadu z elektrických a elektronických zařízení. Popřípadě je možné v některých státech Evropské unie nebo jiných evropských státech vrátit své výrobky místnímu prodejci, v případě koupě obdobného nového výrobku. Správná likvidace tohoto výrobku pomůže ušetřit cenné přírodní zdroje a pomoci při prevenci případného negativního vlivu na životní prostředí a lidské zdraví, ke kterému by mohlo dojít v důsledku nesprávné likvidace odpadu. Podrobnější informace získáte od místního úřadu nebo v nejbližším středisku pro sběr odpadu. Nesprávná likvidace tohoto typu odpadu může podléhat vnitrostátním předpisům o pokutách.

Pro podnikatelské subjekty v Evropské unii

Chcete-li zlikvidovat elektrické nebo elektronické zařízení, vyžádejte si potřebné informace od svého prodejce nebo dodavatele.

Likvidace v jiných státech mimo Evropské unie

Chcete-li zlikvidovat tento výrobek, vyžádejte si potřebné informace o správném způsobu likvidace od místních úřadů nebo svého prodejce.



Tento výrobek splňuje všechny základní požadavky nařízení EU, které se na něj vztahují.

Změny v textu, designu a technických údajích se mohou vyskytnout bez předchozího upozornění a vyhrazujeme si právo provést tyto změny.

Originál tohoto návodu k obsluze je v českém jazyce.



VAROVÁNÍ! BĚHEM POUŽÍVÁNÍ, SERVISU A LIKVIDACE VĚNUJTE POZORNOST SYMBOLU PODOBNÉMU NA LEVÉ STRANĚ, KTERÝ JE UMÍSTĚN NA ZADNÍ STRANĚ SPOTŘEBIČE (ZADNÍ PANEL NEBO KOMPRESOR) A SE ŽLUTOU NEBO ORANŽOVOU BARVOU.



JE TO RIZIKO POŽÁRNÍHO VAROVNÉHO SYMBOLU. JSOU ZDE HOŘLAVÉ MATERIÁLY POTRUBÍ A KOMPRESOR. BUĎTE DALEKO OD OHNĚ BUĎTE PROSÍM DALEKO OD ZDROJE OHNĚ BĚHEM POUŽÍVÁNÍ, OBSLUHY SPOTŘEBIČE A LIKVIDACE.

Vinotéka

NÁVOD NA OBSLUHU

PHILCO



Famous for Quality the World Over

PW 15 KF

PW 18 KF

Ďakujeme, že ste si vybrali tento výrobok.

Pred požívaním svojej novej chladničky si prosím prečítajte tento návod na obsluhu, aby ste z nej získali čo najväčší úžitok.

OBSAH

ČASŤ 1. BEZPEČNOSTNÉ POKYNY	2
ČASŤ 2. INŠTALAČNÉ POKYNY	6
ČASŤ 3. PREHĽAD.....	7
ČASŤ 4. POPIS JEDNOTLIVÝCH ČASŤÍ	7
ČASŤ 5. PREVÁDZKA SPOTREBIČA	8
NASTAVENIE REGULÁTORA TEPLoty.....	8
TIPY NA ÚSPORU ENERGIE	8
V SPOTREBIČI SA NACHÁDZA PÄŤ POLÍC A DRÔTENÝ DRŽIAK.....	9
V SPOTREBIČI SA NACHÁDZAJÚ ŠTYRI POLICE A DRÔTENÝ DRŽIAK.....	10
ČASŤ 6. PROBLÉMY SO SPOTREBIČOM	11
ČASŤ 7. ODSTRÁNENIE MOŽNÝCH PROBLÉMOV	11
ČASŤ 8. ČISTENIE A ÚDRŽBA	12
ČASŤ 9. TECHNICKÉ ÚDAJE	12
POKYNY KU SKLADOVANIU	12
ČASŤ 10. INFORMAČNÝ LIST.....	13
TECHNICKÉ INFORMÁCIE	17
INFORMÁCIE O TESTOVANÍ	17
STAROSTLIVOSŤ O ZÁKAZNÍKA A SERVIS	17
POKYNY A INFORMÁCIE TÝKAJÚCE SA LIKVIDÁCIE POUŽITÝCH OBALOVÝCH MATERIÁLOV	18
LIKVIDÁCIA POUŽITÝCH ELEKTRICKÝCH A ELEKTRONICKÝCH SPOTREBIČOV	18



Tento spotrebič bol testovaný v súlade so smernicami platnými v Európskej únii.

Tento spotrebič vyhovuje príslušným bezpečnostným predpisom pre elektrické spotrebiče platné v Európskej únii.

ČASŤ 1: BEZPEČNOSTNÉ POKYNY

TENTO SPOTREBIČ MÔŽU POUŽÍVAŤ DETI VO VEKU 8 ROKOV A STARŠIE A OSOBY SO ZNÍŽENÝMI FYZICKÝMI, ZMYSLOVÝMI ALEBO MENTÁLNYMI SCHOPNOSŤAMI ALEBO S NEDOSTATKOM SKÚSENOSTÍ A VEDOMOSTÍ, POKIAĽ SÚ POD DOZOROM ALEBO BOLI POUČENÉ O POUŽÍVANÍ SPOTREBIČA BEZPEČNÝM SPÔSOBOM A ROZUMEJÚ PRÍPADNÝM NEBEZPEČENSTVÁM.

DETI SA SO SPOTREBIČOM NESMÚ HRAŤ. ČISTENIE A ÚDRŽBU NESMÚ VYKONÁVAŤ DETI BEZ DOZORU. DETI VO VEKU 3 AŽ 8 ROKOV MÔŽU VKLADAŤ A VYBERAŤ POTRAVINY Z CHLADIACICH SPOTREBIČOV.

POKIAĽ JE NAPÁJACÍ KÁBEL POŠKODENÝ, JEHO VÝMENU ZVERTE ODBORNÉMU SERVISNÉMU STREDISKU, ABY SA ZABRÁNILO VZNIKU NEBEZPEČNEJ SITUÁCIE. SPOTREBIČ S POŠKODENÝM NAPÁJACÍM KÁBLOM JE ZAKÁZANÉ POUŽÍVAŤ.

VAROVANIE: VETRACIE OTVORY V KRYTE SPOTREBIČA ALEBO V JEHO KONŠTRUKCII JE POTREBNÉ UDRŽIAVAŤ VOĽNÉ.

VAROVANIE: NA ZRÝCHLENIE ROZMRAZOVACIEHO PROCESU NEPOUŽÍVAŤ MECHANICKÉ ZARIADENIA ALEBO INÉ PROSTRIEDKY AKO TIE, KTORÉ SÚ ODPORÚČANÉ VÝROBCOM.

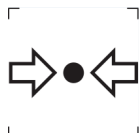
VAROVANIE: NEPOŠKODZOVAŤ CHLADIACI OBVOD.

VAROVANIE: NEPOUŽÍVAŤ ELEKTRICKÉ SPOTREBIČE V PRIESTORE PRE UCHOVÁVANIE POTRAVÍN SPOTREBIČA, POKIAĽ SA NEJEDNÁ O TYPY ODPORÚČANÉ VÝROBCOM.

TENTO PRÍSTROJ JE URČENÝ NA POUŽITIE VÝLUČNE V DOMÁCNOSTI A NIE V PODOBNÝCH OBLASTIACH, AKO SÚ:

- KUCHYNSKÉ KÚTY V OBCHODOCH, KANCELÁRIÁCH A OSTATNÝCH PRACOVISKÁCH;
- SPOTREBIČE POUŽÍVANÉ HOSTAMI V HOTELOCH, MOTELOCH A INÝCH OBYTNÝCH PROSTREDIACH;
- SPOTREBIČE POUŽÍVANÉ V PODNIKOKH ZAIŠŤUJÚCICH NOČLAH S RAŇAJKAMI;
- SPOTREBIČE POUŽÍVANÉ V STRAVOVACÍCH A PODOBNÝCH NEPREDAJNÝCH PROSTREDIACH.

NEUKLADAŤ V TOMTO SPOTREBIČI VÝBUŠNÉ LÁTKY TAKÉ, AKO SÚ SPREJE S HORĽAVÝM HNACÍM PLYNOM.



ZNAČKA ISO 7000-1701 (2004-01) OZNAČUJE MÉDIUM POD TLAKOM.



NEBEZPEČENSTVO OHŇA / HORĽAVÉ MATERIÁLY!

R600A

OBSAHUJE CHLADIACI PLYN IZOBUTÁN, KTORÝ JE HORĽAVÝ. POČAS PREPRASY A INŠTALÁCIE SPOTREBIČA ZABRÁŇTE POŠKODENIU KOMPONENTOV CHLADIACEHO OKRUHU.

VAROVANIE: PRI UMIESTŇOVANÍ SPOTREBIČA SA MUSÍ ZAISTIŤ, ABY NAPÁJACÍ PRÍVOD NEBOL ZACHYTENÝ ALEBO POŠKODENÝ.

VAROVANIE: NEUMIESTŇOVAŤ VIACNÁSOBNÉ PRENOSNÉ ZÁSUVKY ALEBO PRENOSNÉ PREDLŽOVACIE PRÍVODY NA ZADNÚ STRANU SPOTREBIČA.

- DLHODOBÉ OTVORENIE DVIEROK MÔŽE SPÔSOBIŤ VÝRAZNÉ ZVÝŠENIE TEPLoty V PRIESTOROCH SPOTREBIČA.
- JE POTREBNÉ PRAVIDELNE ČISTIŤ POVRCHY.
- OHĽADOM OPRAVY ČI VÝMENY OSVETLENIA KONTAKTUJTE SERVISNÉ STREDISKO.

OSTATNÉ ODPORÚČANIA

- NAPÁJACÍ KÁBEL NESMIE BYŤ PREDLŽOVANÝ.
- UISTITE SA, ŽE ZÁSTRČKA NAPÁJACIEHO KÁBLA NIE JE POŠKODENÁ, MOHLA BY SA PREHRIEVAŤ A SPÔSOBIŤ POŽIAR.
- PRI UMIESTŇOVANÍ SPOTREBIČA SA MUSÍ ZAISTIŤ, ABY NAPÁJACÍ KÁBEL NEBOL ZACHYTENÝ, ALEBO POŠKODENÝ.
- NEUMIESTŇUJTE VIACNÁSOBNÉ PRENOSNÉ ZÁSUVKY, ALEBO PRENOSNÉ PREDLŽOVACIE KÁBLE NA ZADNÚ STRANU SPOTREBIČA.
- SPOTREBIČ NESMIE STÁŤ NA NAPÁJACOM KÁBLI.
- SPOTREBIČ NESMIE BYŤ UMIESTNENÝ VO VLHKOM PROSTREDÍ, NAPÁJACÍ KÁBEL NESMIE LEŽAŤ VO VODE.
- UISTITE SA, ŽE MÁTE VOĽNÝ PRÍSTUP K ZÁSTRČKE SPOTREBIČA.
- NEŤAHAJTE ZA PRÍVODNÝ KÁBEL.
- POKIAĽ JE ELEKTRICKÁ ZÁSUVKA UVOĽNENÁ, NEPRIPÁJAJTE K NEJ ZÁSTRČKU. HROZÍ RIZIKO ÚRAZU ELEKTRICKÝM PRÚDOM, ALEBO RIZIKO VZNIKU POŽIARU.
- TENTO SPOTREBIČ NESMIETE POUŽÍVAŤ BEZ KRYTU VNÚTORNÉHO OSVETLENIA.
- CHLADNIČKA JE URČENÁ IBA NA NAPÁJANIE Z JEDNEJ FÁZY STRIEDAVÉHO PRÚDU S HODNOTAMI 220 – 240 V/50 HZ. POKIAĽ JE KOLÍSANIE NAPÄTIA V MIESTE BYDLISKA POUŽÍVATEĽA TAK VEĽKÉ, ŽE PRESAHUJE UVEDENÉ LIMITY, Z BEZPEČNOSTNÝCH DÔVODOV POUŽITE PRE CHLADNIČKU AUTOMATICKÝ NAPÄŤOVÝ REGULÁTOR S VIAC AKO 350 W.
- ZÁSTRČKA MUSÍ ZODPOVEDAŤ ZÁSUVKE S UZEMŇOVACÍM KONTAKTOM.

ČASŤ 2. INŠTALAČNÉ POKYNY

- Tento spotrebič je navrhnutý len na voľné postavenie a nemal byť zabudovaný alebo vstavaný.
- Umiestnite svoj spotrebič na podlahu, ktorá je dostatočne pevná na to, aby uniesla spotrebič, ktorý je úplne naplnený. Ak chcete spotrebič vyrovnat', upravte nastavovacie nožičky v spodnej časti spotrebiča.
- Tento spotrebič nie je určený na to, aby bol nainštalovaný vo vnútri skrinky, kde je predná časť zakrytá nejakým typom dvierok.
- Ponechajte 10 cm priestoru medzi hornou, zadnou a bočnými časťami spotrebiča, čo umožní správnu cirkuláciu vzduchu za účelom chladenia kompresora a kondenzátora.
- Umiestnite spotrebič čo najďalej od priameho slnečného žiarenia a zdrojov tepla (pec, ohrievač, radiátor, atď.). Priame slnečné žiarenie môže mať vplyv na akrylový povrch a zdroje tepla môžu zvýšiť spotrebu elektrickej energie. Taktiež prostredie s extrémne nízkymi teplotami môže spôsobiť to, že spotrebič nebude fungovať správne.
- Vyhňte sa umiestneniu spotrebiča na vlhkých miestach.
- Spotrebič pripojte k vyhradenej, správne nainštalovanej a uzemnenej elektrickej zásuvke. Za žiadnych okolností neodrezávajte ani neodstraňujte tretí (uzemňovací) výstupok napájacieho kábla. Akékoľvek otázky týkajúce sa napájania a/alebo uzemnenia by ste mali nasmerovať na autorizovaného elektrikára alebo na autorizované servisné stredisko.
- Po pripojení spotrebiča k elektrickej zásuvke ho ponechajte na 2 - 3 hodiny vychladnúť, kým do chladiaceho priestoru vložíte nejaké predmety.

Poznámka:

Nezabudnite prosím ponechať v skrinke spotrebiča trochu vody, aby ste udržali vlhkosť

Likvidácia spotrebiča:

Aby ste zabránili možným škodám na životnom prostredí alebo ľudskom zdraví pri nekontrolovanej likvidácii odpadu, zodpovedne ho recyklujte, na podporu udržateľného opätovného využitia materiálnych zdrojov. A likvidácia by mala byť vykonaná len prostredníctvom verejných zberných miest.

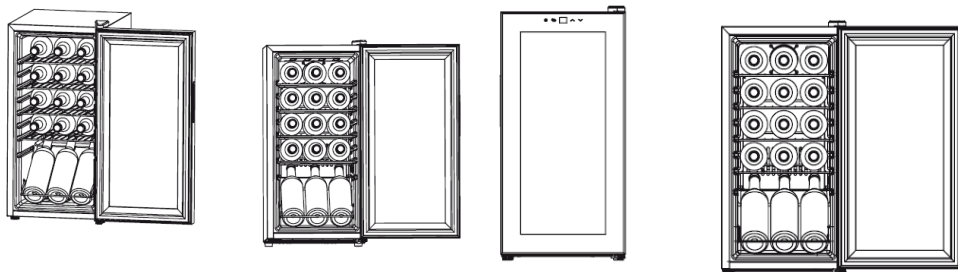
Inštalácia, servis:

Spotrebič by mal byť umiestnený na vodorovnej podlahe a mala by byť zaistené voľné vetranie. Nepokúšajte sa vymieňať ani opravovať akékoľvek časti spotrebiča svojpomocne, v prípade potreby požiadajte o pomoc servisné stredisko.

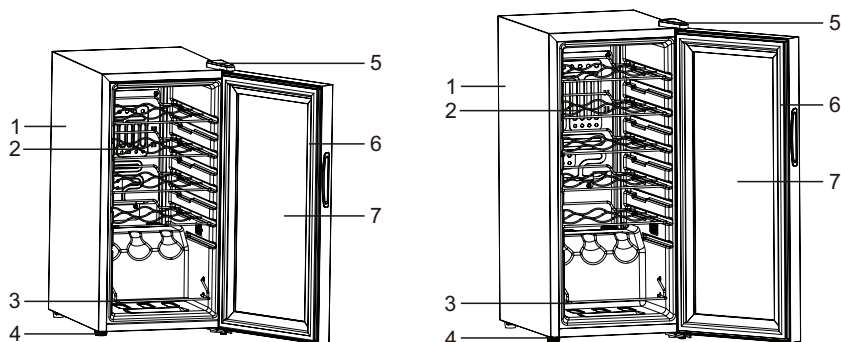
Manipulácia:

Abyste predišli poškodeniu, vždy manipulujte so spotrebičom opatrne.

ČASŤ 3. PREHĽAD



ČASŤ 4. POPIS JEDNOTLIVÝCH ČASŤÍ

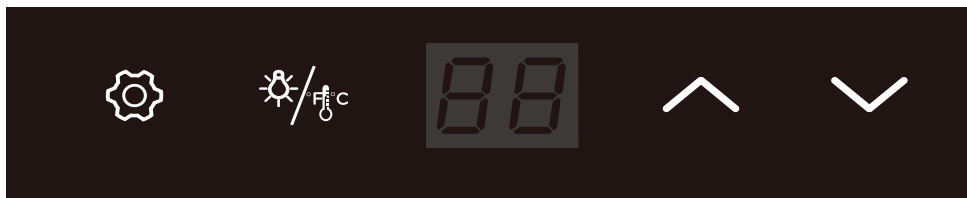


1. Skrinka spotrebiča
2. Polička
3. Spodný regál na víno
4. Vyrovnávacie nožičky
5. Záves dvierok
6. Tesnenie dvierok
7. Dvierka z tvrdého skla


- Tento spotrebič nie je určený na použitie ako vstavaný spotrebič.


ČASŤ 5. PREVÁDZKA SPOTREBIČA


NASTAVENIE REGULÁTORA TEPLoty



Váš spotrebič bol vybavený „automatickým“ zámkom ovládacieho panela, ktorý sa aktivuje 20 sekúnd od posledného dotyku nejakého tlačidla.

Podržaním tlačidla  stlačeného na 2 sekundy odomknete ovládací panel. Začujete „AKUSTICKÝ SIGNÁL“ ktorý vás upozorní na to, že ovládacie prvky sú teraz aktívne.

Stlačením tlačidla  na 2 sekundy môžete zvoliť nastavenie zobrazenia teploty medzi stupňami Fahrenheita a Celzia. Stupne sa zobrazia modrou farbou v okienku zobrazenia teploty.

Ak je ovládací panel aktívny, stlačte tlačidlo  a LED osvetlenie vo vnútri vinotéky zhasne. Ak chcete LED osvetlenie vo vnútri vinotéky zapnúť, budete musieť znova stlačiť toto tlačidlo.

Požadovanú teplotu môžete nastaviť stlačením tlačidla . Po jednom stlačení tlačidla sa požadovaná teplota zvýši o 1 °F alebo 1 °C.

Požadovanú teplotu môžete nastaviť stlačením tlačidla . Po jednom stlačení tlačidla sa požadovaná teplota zníži o 1 °F alebo 1 °C.

TIPY NA ÚSPORU ENERGIE

- Chladnička by mala byť umiestnená v najchladnejšej časti miestnosti, čo najďalej od zariadení vytvárajúcich teplo a mimo priameho slnečného žiarenia.
- Skôr ako vložíte horúce potraviny do spotrebiča, nechajte ich vychladnúť na izbovú teplotu. Preplnenie spotrebiča núti kompresor pracovať dlhšie.
- Nezabudnite potraviny správne zabaliť a utrite nádoby dosucha predtým, ako ich vložíte do spotrebiča. Tým sa zníži tvorba námrazy vo vnútri spotrebiča.
- Skladovací priestor spotrebiča nesmie byť obalený hliníkovou fóliou, voskovým papierom alebo papierovou utierkou. Tieto obloženia by zasahovali so cirkulácie studeného vzduchu, čo znižuje účinnosť spotrebiča.
- Usporiadajte a označte potraviny, aby ste obmedzili počet otvárania dvierok a dlhodobé vyhľadávanie. Vyberte čo najviac potrebných položiek súčasne a hneď ako to bude možné, zatvorte dvierka.

Klimatická trieda

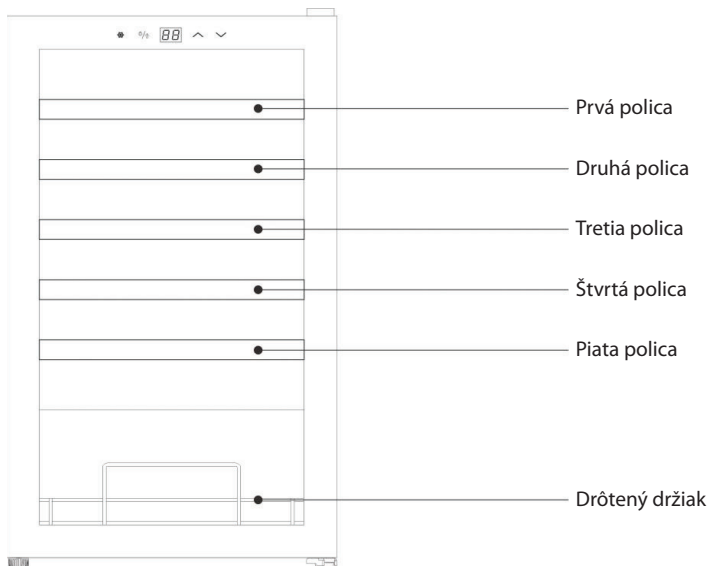
Akronym pre rozmedzie teploty okolia, tj. SN, N, ST alebo T, pri určovaní klimatických tried:

1. rozšírené mierne pásmo (SN) má rozmedzie teploty od 10 °C do 32 °C;
2. mierne pásmo (N) má rozmedzie teploty od 16 °C do 32 °C;
3. subtropické pásmo (ST) má rozmedzie teploty od 16 °C do 38 °C a
4. tropické pásmo (T) má rozmedzie teploty od 16 °C do 43 °C.

- Tento spotrebič je určený výhradne na skladovanie vína.
- Tento spotrebič nie je vhodný na mrazenie potravín.
- Teplotu v spotrebiči odporúčame nastaviť na 12 ° C.
- Police sú z výroby rozmiestnené tak, aby bola najefektívnejšie využitá energia.
- Na čo najefektívnejšie využitie energie odporúčame nasledujúcu kombináciu políc spotrebiči.

PW 18 KF

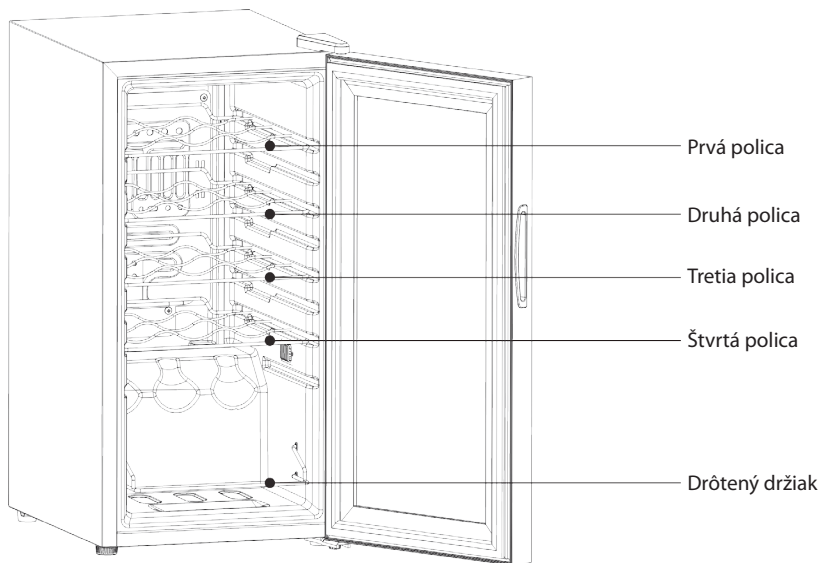
V SPOTREBIČI SA NACHÁDZA PÄŤ POLÍC A DRÔTENÝ DRŽIAK



- KEĎ JE OKOLITÁ TEPLOTA 25 ° C A V SPOTREBIČI NIE SÚ VLOŽENÉ FLAŠE, ZVÝŠENIE TEPLoty V SPOTREBIČI Z 5 ° C NA 12 ° C BUDE TRVAŤ PRIBLIŽNE 30 MINÚT. PRI ROVNAKÝCH PODMIENKACH BUDE ZNÍŽENIE TEPLoty Z 12 ° C NA 5 ° C TRVAŤ PRIBLIŽNE HODINU. ČÍM MENŠIE BUDE TEPLotNÉ ROZPÁTIE, TÝM KRATŠIE BUDE TRVAŤ ZVÝŠENIE ALEBO ZNÍŽENIE TEPLoty.
- ODPORÚČAME TEPLotu V SPOTREBIČI NASTAVIŤ NA 12 ° C. SPOTREBA ENERGIE PRI TOMTO NASTAVENÍ JE 0,329 KWH / 24H. AK JE NASTAVENÁ TEPLota VYŠŠIA AKO 12 ° C, SPOTREBA ENERGIE BUDE NIŽŠIA. AK JE NASTAVENÁ TEPLota NIŽŠIA AKO 12 ° C, SPOTREBA ENERGIE BUDE VYŠŠIA.
- KEĎ KOMPRESOR PRACUJE 8 HODÍN BEZ PRESTÁVKY, NA 45 MINÚT SA ZASTAVÍ A ODMRAZÍ SA.

PW 15 KF

V SPOTREBIČI SA NACHÁDZAJÚ ŠTYRI POLICE A DRÔTENÝ DRŽIAK



- KEĎ JE OKOLITÁ TEPLOTA 25 ° C A V SPOTREBIČI NIE SÚ VLOŽENÉ FLAŠE, ZVÝŠENIE TEPLoty V SPOTREBIČI Z 5 ° C NA 12 ° C BUDE TRVAŤ PRIBLIŽNE 30 MINÚT. PRI ROVNAKÝCH PODMIENKACH BUDE ZNÍŽENIE TEPLoty Z 12 ° C NA 5 ° C TRVAŤ PRIBLIŽNE HODINU. ČÍM MENŠIE BUDE TEPLotNÉ ROZPÁTIE, TÝM KRATŠIE BUDE TRVAŤ ZVÝŠENIE ALEBO ZNÍŽENIE TEPLoty.
- ODPORÚČAME TEPLotu V SPOTREBIČI NASTAVIŤ NA 12 ° C. SPOTREBA ENERGIE PRI TOMTO NASTAVENÍ JE 0,392 KWH / 24H. AK JE NASTAVENÁ TEPLota VYŠŠIA AKO 12 ° C, SPOTREBA ENERGIE BUDE NIŽŠIA. AK JE NASTAVENÁ TEPLota NIŽŠIA AKO 12 ° C, SPOTREBA ENERGIE BUDE VYŠŠIA.
- KEĎ KOMPRESOR PRACUJE 12 HODÍN BEZ PRESTÁVKY, NA 40 MINÚT SA ZASTAVÍ A ODMRAZÍ SA.

ČASŤ 6. PROBLÉMY SO SPOTREBIČOM

Mnoho bežných problémov môžete vyriešiť ľahko a ušetriť tak náklady na prípadné volania servisu. Vyskúšajte nižšie uvedené odporúčania aby ste zistili, či môžete vyriešiť problém skôr ako zavoláte servis.

ČASŤ 7. ODSTRÁNENIE MOŽNÝCH PROBLÉMOV

PROBLÉM	MOŽNÁ PRÍČINA
Spotrebič nefunguje.	Nie je pripojený k elektrickej sieti. Došlo k vypnutiu ističa alebo vypáleniu poistky.
Časté zapínanie a vypínanie spotrebiča.	Teplota v miestnosti je vyššia ako normálne. Do spotrebiča bolo vložené veľké množstvo potravín. Dvierka boli otvárané veľmi často. Dvierka nie sú zatvorené úplne. Regulátor teploty nie je nastavený správne. Tesnenie dvierok netesní správne. Spotrebič nemá dostatok priestoru okolo.
Vibrácie.	Skontrolujte, či je spotrebič v rovine.
Zdá sa, že spotrebič je veľmi hlučný.	Rachotenie môže byť počuť pri prietoku chladiva, čo je normálne. Po ukončení každého cyklu, môžete počuť kľokotanie spôsobené prúdením chladiva v spotrebiči. Sťahovanie a roztahovanie vnútorných stien spotrebiča, môže spôsobiť zvuky praskania a pukania. Spotrebič nie je rovno.
Dvierka sa nezatvoria správne.	Spotrebič nie je rovno. Dvierka boli otočené a neboli nainštalované správne. Tesnenie je znečistené alebo ohnuté. Poličky, priehradky alebo koše sú vysunuté.

ČASŤ 8. ČISTENIE A ÚDRŽBA

- Pred čistením vždy odpojte spotrebič od elektrickej siete.
- Povyberajte všetky fľaše a poličky zo spotrebiča.
- Spotrebič vyčistite jemnou tkaninou navlhčenou v teplej vode s čistiacim prostriedkom. Poličky vyčistite pomocou jemne navlhčenej tkaniny. Dôkladne ich vysušte.
- Na čistenie nikdy nepoužívajte žiadne abrazívne alebo čistiace prostriedky.

Vnútorne LED osvetlenie v spotrebiči nemôže vymieňať používateľ. Ak prestane LED osvetlenie fungovať, obráťte sa prosím na miestne autorizované servisné stredisko.

ČASŤ 9. TECHNICKÉ ÚDAJE

Typ/model spotrebiča	Vinotéka PW 15 KF	Vinotéka PW 18 KF
Menovitý prúd	0,6 A	0,6 A
Výkon osvetlenia	1 W	1 W
Izolačný plyn	Cyklopentán	Cyklopentán
Trieda ochrany pred úrazom elektrickým prúdom	I	I
Chladivo/Množstvo	R600a/21 g	R600a/21 g
Spotreba elektrickej energie	0,392 kWh/24 h	0,392 kWh/24 h
Kapacita naplnenia fľašami	15	18

Ospravedlňujeme sa sa akékoľvek nepríjemnosti spôsobené malými nezrovnalosťami v týchto pokynoch, ktoré sa môžu vyskytnúť v dôsledku vylepšení a vývoja produktu.

POKYNY KU SKLADOVANIU

Rešpektujte prosím nasledujúce pokyny , aby nedošlo ku kontaminácii potravín

- Dlhé otváranie dvierok môže spôsobiť výrazné zvýšenie teploty v oddieloch spotrebiča.
- Pravidelne čistite povrchy , ktoré môžu prísť do styku s potravinami a prístupnými drenážnymi systémami.

TYP priestoru	Cieľová teplota skladovania [°C]	Vhodné potraviny
Víno	+5 ~ +20	Červené víno, biele víno, šumivé víno atď.

ČASŤ 10. INFORMAČNÝ LIST

Informačný list

PHILCO 

DELEGOVANÉ NARIADENIE KOMISIE (EÚ) 2019/2016

Názov alebo ochranná známka výrobcu: PHILCO

Adresa výrobcu: PHILCO, FAST ČR, a.s. U Sanitasu 1621 Říčany 251 01, Czech Republic

Identifikačná značka modelu: PE 15 KF

Typ chladiaceho zariadenia: Vinotéka

Spotrebič s nízkym hlukom:	Nie	Typ spotrebiča:	voľne stojaci
Zariadenie na skladovanie vína:	Áno	Ostatné chladiace spotrebiče	Ne

Základné špecifikácie:

Parameter	Hodnota	Parameter	Hodnota
Rozmery v mm	Výška	Celkový objem (dm ³ alebo l)	44
	Šírka		
	Hĺbka		
Index energetickej účinnosti (EEL)	183	Trieda energetickej účinnosti*	G
Akustický zvuk emisie hluku (dB(A) re 1 pW)	41	Trieda akustických emisií hluku	C
Ročná spotreba energie (kWh/rok)	143	Klimatická trieda:	N
Minimálna okolitá teplota (° C), pre ktorú je chladiace zariadenie vhodné	16	Maximálna okolitá teplota (° C), pre ktorú je chladiace zariadenie vhodné	32
Nastavenie spotrebiča na zimu	Nie		

Špecifikácia priestoru

Typ priestoru	Parametre a hodnoty chladiaceho priestoru				
	Objem spotrebiča (dm ³ alebo l)	Odporúčané nastavenie teploty pre optimalizované skladovanie potravín (° C)	Mraziaca kapacita (kg/24h)	Typ odmrázovania: (auto-odmrázovanie = A manuálne odmrázovanie = M)	
Komora/špajza	Nie	-	-	-	-
Skladovanie vína	Áno	44	12	-	A
Pivničný priestor	Nie	-	-	-	-
Čerstvé potraviny	Nie	-	-	-	-
Mraziaci priestor	Nie	-	-	-	-
0-hviezdičiek alebo výrobnik ľadu	Nie	-	-	-	-

1-hviezdička	Nie	-	-	-	-
2-hviezdičky	Nie	-	-	-	-
3-hviezdičky	Nie	-	-	-	-
4-hviezdičky	Nie	-	-	-	-
2-hviezdičkový priestor	Nie	-	-	-	-
Zásuvka s meniacou sa teplotou	Nie	-	-	-	-
Parametre zdroja svetla:					
Typ svetelného zdroja			LED		
Trieda energetickej účinnosti			-		
Minimálna doba trvania záruky ponúkanej výrobcom: 24 mesiacov					
Dodatočné informácie:					
Webový odkaz na web výrobcu, kde sú informácie uvedené v bode 4 (a) prílohy nariadenia Komisie (EÚ) 2019/2022 nájdené: www.philco.cz					

* A (najvyššia účinnosť) až G (najnižšia účinnosť)

Informačný list

PHILCO 

DELEGOVANÉ NARIADENIE KOMISIE (EÚ) 2019/2016

Názov alebo ochranná známka výrobcu: PHILCO

Adresa výrobcu: PHILCO, FAST ČR, a.s. U Sanitasu 1621 Říčany 251 01, Czech Republic

Identifikačná značka modelu: PE 18 KF

Typ chladiaceho zariadenia: Vinotéka

Spotrebič s nízkym hlukom:	Nie	Typ spotrebiča:	voľne stojaci
Zariadenie na skladovanie vína:	Áno	Ostatné chladiace spotrebiče	Ne

Základné špecifikácie:

Parameter	Hodnota	Parameter	Hodnota
Rozmery v mm	Výška	Celkový objem (dm ³ alebo l)	50
	Šírka		
	Hĺbka		
Index energetickej účinnosti (EEI)	153	Trieda energetickej účinnosti*	G
Akustický zvuk emisie hluku (dB(A) re 1 pW)	43	Trieda akustických emisií hluku	D
Ročná spotreba energie (kWh/rok)	120	Klimatická trieda:	N
Minimálna okolitá teplota (° C), pre ktorú je chladiace zariadenie vhodné	16	Maximálna okolitá teplota (° C), pre ktorú je chladiace zariadenie je vhodné	32
Nastavenie spotrebiča na zimu	Nie		

Špecifikácia priestoru

Typ priestoru	Parametre a hodnoty chladiaceho priestoru				
	Objem spotrebiča (dm ³ alebo l)	Odporúčené nastavenie teploty pre optimalizované skladovanie potravín (° C)	Mraziaca kapacita (kg/24h)	Typ odmrázovania: (auto-odmrázovanie = A manuálne odmrázovanie = M)	
Komora/špajza	Nie	-	-	-	-
Skladovanie vína	Áno	50	12	-	A
Pivničný priestor	Nie	-	-	-	-
Čerstvé potraviny	Nie	-	-	-	-
Mraziaci priestor	Nie	-	-	-	-
0-hviezdičiek alebo výrobnik ľadu	Nie	-	-	-	-

1-hviezdička	Nie	-	-	-	-
2-hviezdičky	Nie	-	-	-	-
3-hviezdičky	Nie	-	-	-	-
4-hviezdičky	Nie	-	-	-	-
2-hviezdičkový priestor	Nie	-	-	-	-
Zásuvka s meniacou sa teplotou	Nie	-	-	-	-
Parametre zdroja svetla:					
Typ svetelného zdroja			LED		
Trieda energetickej účinnosti			-		
Minimálna doba trvania záruky ponúkanej výrobcom: 24 mesiacov					
Dodatočné informácie:					
Webový odkaz na web výrobcu, kde sú informácie uvedené v bode 4 (a) prílohy nariadenia Komisie (EÚ) 2019/2022 nájdené: www.philco.cz					

* A (najvyššia účinnosť) až G (najnižšia účinnosť)

TECHNICKÉ INFORMÁCIE

Technické informácie sa nachádzajú na typovom štítku na vnútornej strane spotrebiča a na energetickom štítku. QR kód, na dodanom energetickom štítku, obsahuje odkaz na registráciu spotrebiča v databáze EÚ Eprel.

INFORMÁCIE O TESTOVANÍ

Dodané zariadenie je v súlade s EcoDesign a EN62552-1:2020, EN62552-2:2020, EN62552-3:2020, EN60704-2-14:2013 + A11:2015 + A1:2019, EN60704-1:2010 + A11:2012. Požiadavky na prístup vzduchu pre správnu prevádzku prístroja, minimálna vzdialenosť od steny a rozmery prístroja, sú súčasťou tohto návodu. V prípade ďalších otázok sa obráťte na výrobcu.

STAROSTLIVOSŤ O ZÁKAZNÍKA A SERVIS

Vždy používajte iba originálne náhradné diely.

Označenie modelu a sériové číslo nájdete na typovom štítku. Polohu typového štítku je možné zmeniť bez predchádzajúceho upozornenia.

Originálne náhradné diely pre niektoré konkrétne komponenty sú k dispozícii minimálne 7 alebo 10 rokov. Závisí to od typu komponentu a od uvedenia posledného spotrebiča daného modelu na trh.

Pri kontaktovaní nášho autorizovaného servisu majte k dispozícii modelové označenie, sériové číslo a popis chyby.

Pre stiahnutie dokumentov navštívte www.philco.sk.

Pre nahlásenie závady a získanie ďalších servisných informácií navštívte www.philco.sk/servisne-miesta.

Zmeny vyhradené bez predchádzajúceho upozornenia.

POKYNY A INFORMÁCIE TÝKAJÚCE SA LIKVIDÁCIE POUŽITÝCH OBALOVÝCH MATERIÁLOV

Obalové materiály zlikvidujte na verejnom mieste pre likvidáciu odpadu.

LIKVIDÁCIA POUŽITÝCH ELEKTRICKÝCH A ELEKTRONICKÝCH SPOTREBIČOV



Význam symbolu na výrobku, jeho príslušenstve alebo obale znamená, že s týmto výrobkom nesmie byť zaobchádzané ako s komunálnym odpadom. Tento výrobok zlikviduje na príslušnom zbernom mieste pre recykláciu odpadu z elektrických a elektronických zariadení. Popríklad je možné v niektorých štátoch Európskej únie alebo iných európskych štátoch vrátiť svoje výrobky miestnemu predajcovi, v prípade kúpy podobného nového výrobku. Správna likvidácia tohto výrobku pomôže ušetriť cenné prírodné zdroje a pomôcť pri prevencii prípadného negatívneho vplyvu na životné prostredie a ľudské zdravie, ku ktorému by mohlo dôjsť v dôsledku nesprávnej likvidácie odpadu. Podrobnejšie informácie získate od miestneho úradu alebo v najbližšom stredisku pre zber odpadu. Nesprávna likvidácia tohto typu odpadu môže podliehať vnútroštátnym predpisom o pokutách.

Pre podnikateľské subjekty v Európskej únii

Ak chcete zlikvidovať elektrické alebo elektronické zariadenie, vyžiadajte si potrebné informácie od svojho predajcu alebo dodávateľa.

Likvidácia v iných štátoch mimo Európskej únie

Ak chcete zlikvidovať tento výrobok, vyžiadajte si nevyhnutné informácie o správnom spôsobe likvidácie od miestnych úradov alebo svojho predajcu.



Tento výrobok spĺňa všetky základné požiadavky nariadenia EÚ, ktoré sa naň vzťahujú.

Zmeny v texte, dizajne a technických údajoch sa môžu vyskytnúť bez predchádzajúceho upozornenia a vyhradzuje si právo vykonať tieto zmeny.

Originál tohto návodu na obsluhu je v českom jazyku.



VAROVANIE! POČAS POUŽÍVANIA, SERVISU A LIKVIDÁCIA VENUJTE POZORNOSŤ SYMBOLU PODOBNÉMU NA ĽAVEJ STRANE, KTORÝ JE UMIESTNENÝ NA ZADNEJ STRANE SPOTREBIČA (ZADNÝ PANEL ALEBO KOMPRESOR) A SO ŽLTOU ALEBO ORANŽOVOU FARBOU.



JE TO RIZIKO POŽIARNEHO VAROVNÉHO SYMBOLU. SÚ TU HORĽAVÉ MATERIÁLY POTRUBIA A KOMPRESOR. BUĎTE ĎALEKO OD ZDROJA OHŇA POČAS POUŽÍVANIA, OBSLUHY SPOTREBIČA A LIKVIDÁCIE.

Chłodziarka do wina

INSTRUKCJA OBSŁUGI

PHILCO



Famous for Quality the World Over

PW 15 KF

PW 18 KF

**Szanowny Kliencie,
Dziękujemy za zakup produktu marki PHILCO. Aby Twoje urządzenie mogło Ci dobrze służyć,
przeczytaj wszystkie wskazówki zawarte w niniejszej instrukcji obsługi.**

SPIS TREŚCI

CZĘŚĆ 1: INSTRUKCJE BEZPIECZEŃSTWA	2
CZĘŚĆ 2. WSKAZÓWKI DOTYCZĄCE INSTALACJI	6
CZĘŚĆ 3. WYGLĄD	7
CZĘŚĆ 4. OPIS POSZCZEGÓLNYCH CZĘŚCI	7
CZĘŚĆ 5. PRACA URZĄDZENIA	8
USTAWIENIE REGULATORA TEMPERATURY	8
PORADY ZWIĄZANE Z OSZCZĘDZANIEM ENERGII	8
W URZĄDZENIU ZNAJDUJE SIĘ PIĘĆ PÓŁEK I METALOWY UCHWYT	9
W URZĄDZENIU ZNAJDUJĄ SIĘ CZTERY PÓŁKI I METALOWY UCHWYT	10
CZĘŚĆ 6. PROBLEMY Z URZĄDZENIEM	11
CZĘŚĆ 7. ROZWIĄZYWANIE PROBLEMÓW	11
CZĘŚĆ 8. CZYSZCZENIE I KONSERWACJA	12
CZĘŚĆ 9. DANE TECHNICZNE	12
WSKAZÓWKI DOTYCZĄCE PRZECHOWYWANIA	12
CZĘŚĆ 10. ARKUSZ INFORMACYJNY	13
INFORMACJE TECHNICZNE	17
INFORMACJE O TESTACH	17
OBSŁUGA I OBSŁUGA KLIENTA	17
WSKAZÓWKI O INFORMACJE DOTYCZĄCE LIKWIDACJI ZUŻYTYCH OPAKOWAŃ	18
LIKWIDACJA ZUŻYTYCH URZĄDZEŃ ELEKTRYCZNYCH I ELEKTRONICZNYCH	18



Urządzenie zostało przetestowane zgodnie z obowiązującymi dyrektywami Unii Europejskiej.
Urządzenie jest zgodne z przepisami bezpieczeństwa dotyczącymi urządzeń elektrycznych w Unii Europejskiej.

CZĘŚĆ 1: INSTRUKCJE BEZPIECZEŃSTWA

TO URZĄDZENIE JEST PRZEZNACZONE DO UŻYTKU PRZEZ DZIECI W WIEKU 8 LAT I STARSZE ORAZ OSOBY O OGRANICZONYCH ZDOLNOŚCIACH FIZYCZNYCH, SENSORYCZNYCH LUB UMYSŁOWYCH LUB BEZ DOŚWIADCZENIA I WIEDZY, POD WARUNKIEM, ŻE SĄ ONE POD NADZOREM LUB ZOSTAŁY POINSTRUOWANE O KORZYSTANIU Z URZĄDZENIA W BEZPIECZNY SPOSÓB I ZROZUMIAŁY ZWIĄZANE Z TYM NIEBEZPIECZEŃSTWA.

DZIECI NIE MOGĄ BAWIĆ SIĘ URZĄDZENIEM. CZYSZCZENIE I KONSERWACJA NIE MOGĄ BYĆ WYKONYWANE PRZEZ DZIECI BEZ NADZORU. DZIECI W WIEKU OD 3 DO 8 LAT MOGĄ WKŁADAĆ I WYJMOWAĆ ŻYWNOŚĆ Z URZĄDZEŃ CHŁODNICZYCH.

JEŚLI PRZEWÓD ZASILAJĄCY JEST USZKODZONY, NALEŻY GO WYMIENIĆ W WYKWALIFIKOWANYM CENTRUM SERWISOWYM, ABY UNIKNĄĆ ZAGROŻENIA. ZABRANIA SIĘ UŻYWANIA URZĄDZENIA Z USZKODZONYM PRZEWODEM ZASILAJĄCYM.

OSTRZEŻENIE: OTWORY WENTYLACYJNE W OBUDOWIE URZĄDZENIA LUB W JEGO KONSTRUKCJI MUSZĄ BYĆ WOLNE.

OSTRZEŻENIE: W CELU PRZYSPIESZENIA PROCESU ROZMRAŻANIA NIE NALEŻY UŻYWAĆ URZĄDZEŃ MECHANICZNYCH ANI ŚRODKÓW INNYCH NIŻ ZALECANE PRZEZ PRODUCENTA.

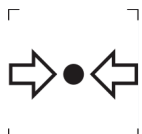
OSTRZEŻENIE: NIE USZKODZIĆ UKŁADU CHŁODZENIA.

OSTRZEŻENIE: NIE UŻYWAJ URZĄDZEŃ ELEKTRYCZNYCH W OBSZARZE PRZECHOWYWANIA ŻYWNOŚCI, CHYBA ŻE SĄ TO TYPY ZALECANE PRZEZ PRODUCENTA.

TO URZĄDZENIE JEST PRZEZNACZONE WYŁĄCZNIE DO UŻYTKU DOMOWEGO A NIE W POMIESZCZENIACH, TAKICH JAK:

- ANEKSY KUCHENNE W SKLEPACH, BIURACH I INNYCH MIEJSCACH PRACY;
- URZĄDZENIA UŻYWANE PRZEZ GOŚCI W HOTELACH, MOTELACH I INNYCH MIEJSCACH ZAMIESZKANIA;
- URZĄDZENIA UŻYWANE W OBIEKTACH TYPU BED AND BREAKFAST;
- URZĄDZENIA UŻYWANE W GASTRONOMII I PODOBNYCH ŚRODOWISKACH NIENADAJĄCYCH SIĘ NA SPRZEDAŻ.

W TYM URZĄDZENIU NIE NALEŻY PRZECHOWYWAĆ SUBSTANCJI WYBUCHOWYCH, TAKICH JAK ŁATWOPALNE PROPELENTY W AEROZOLU.



ISO 7000-1701 (2004-01) WSKAZUJE MEDIUM POD CIŚNIENIEM.



ZAGROŻENIE POŻAROWE / MATERIAŁY ŁATWOPALNE!

R600A

ZAWIERA CZYNNIK CHŁODNICZY IZOBUTAN, KTÓRY JEST ŁATWOPALNY. NALEŻY UNIKAĆ USZKODZENIA ELEMENTÓW UKŁADU CHŁODNICZEGO PODCZAS TRANSPORTU I INSTALACJI URZĄDZENIA.

OSTRZEŻENIE: USTAWIAJĄC URZĄDZENIE, UPEWNIJ SIĘ, ŻE ZASILACZ NIE JEST ZABLOKOWANY LUB USZKODZONY.

OSTRZEŻENIE: NIE UMIESZCZAJ WIELU PRZENOŚNYCH GNIAZDEK ANI PRZENOŚNYCH PRZEDŁUŻACZY Z TYŁU URZĄDZENIA.

- OTWIERANIE DRZWI NA DŁUŻSZY CZAS MOŻE SPOWODOWAĆ ZNACZNY WZROST TEMPERATURY WEWNĄTRZ URZĄDZENIA.
- POWIERZCHNIE NALEŻY REGULARNIE CZYŚCIĆ.
- SKONTAKTUJ SIĘ Z CENTRUM SERWISOWYM W CELU NAPRAWY LUB WYMIANY OŚWIETLENIA.

INNE ZALECENIA

- NIE WOLNO PRZEDŁUŻAĆ PRZEWODU ZASILAJĄCEGO.
- UPEWNIJ SIĘ, ŻE WTYCZKA PRZEWODU ZASILAJĄCEGO NIE JEST USZKODZONA, MOŻE TO SPOWODOWAĆ PRZEGRZANIE I POŻAR.
- USTAWIAJĄC URZĄDZENIE, UPEWNIJ SIĘ, ŻE PRZEWÓD ZASILAJĄCY NIE JEST PRZYCIĘTY LUB USZKODZONY.
- NIE UMIESZCZAJ WIELU PRZENOŚNYCH GNIAZDEK ANI PRZENOŚNYCH PRZEDŁUŻACZY Z TYŁU URZĄDZENIA.
- URZĄDZENIE NIE MOŻE STAĆ NA PRZEWODZIE ZASILAJĄCYM.
- URZĄDZENIA NIE WOLNO UMIESZCZAĆ W WILGOTNYM ŚRODOWISKU, PRZEWÓD ZASILAJĄCY NIE MOŻE LEŻEĆ W WODZIE.
- UPEWNIJ SIĘ, ŻE MASZ SWOBODNY DOSTĘP DO WTYCZKI URZĄDZENIA.
- NIE CIĄGNIJ ZA PRZEWÓD ZASILAJĄCY.
- NIE PODŁĄCZAJ WTYCZKI DO LUŻNEGO GNIAZDKA ELEKTRYCZNEGO. ISTNIEJE RYZYKO PORAŻENIA PRĄDEM LUB POŻARU.
- NIE UŻYWAJ TEGO URZĄDZENIA BEZ WEWNĘTRZNEJ OSŁONY OŚWIETLENIA.
- LODÓWKA JEST ZAPROJEKTOWANA DO ZASILANIA TYLKO JEDNĄ FAZĄ PRĄDU PRZEMIENNEGO O WARTOŚCIACH 220 - 240V / 50 HZ. ZE WZGLĘDÓW BEZPIECZEŃSTWA W LODÓWCE NALEŻY STOSOWAĆ AUTOMATYCZNY REGULATOR NAPIĘCIA O MOCY PONAD 350 W, JEŚLI WAHANIA NAPIĘCIA W MIEJSCU ZAMIESZKANIA UŻYTKOWNIKA SĄ TAK DUŻE, ŻE PRZEKRACZAJĄ OKREŚLONE LIMITY.
- WTYCZKA MUSI ODPOWIADAĆ GNIAZDU ZE STYKIEM UZIEMIAJĄCYM.

CZĘŚĆ 2. WSKAZÓWKI DOTYCZĄCE INSTALACJI

- Urządzenie jest przeznaczone tylko do użytku jako wolnostojące i nie powinno być zabudowane.
- Umieść urządzenie na podłodze, która jest wystarczająco mocna, aby wytrzymać ciężar całkowicie napełnionego urządzenia. Gdy chcesz wyrównać urządzenie, skoryguj nastawiane nóżki w dolnej części urządzenia.
- Urządzenie nie jest przeznaczone do instalacji wewnątrz szafy, której przednia część jest zakryta jakimikolwiek drzwiczkami.
- Zostaw 10 cm przestrzeni między górną, tylną a bocznymi częściami urządzenia, umożliwi to odpowiednią cyrkulację powietrza w celu chłodzenia kompresora i kondensatora.
- Umieść urządzenie jak najdalej od bezpośredniego źródła promieni słonecznych i źródeł ciepła (piec, grzejnik elektryczny, kaloryfer, itd.). Bezpośrednie promienie słoneczne mogą mieć wpływ na akrylową powierzchnię a źródła ciepła mogą zwiększyć zużycie energii elektrycznej. Również otoczenie o ekstremalnie niskich temperaturach może powodować nieodpowiednie działanie urządzenia.
- Nie umieszczaj urządzenia w wilgotnych pomieszczeniach.
- Podłącz urządzenie do oddzielnego, odpowiednio zainstalowanego i uziemionego gniazdka elektrycznego. W żadnym przypadku nie odcinaj ani nie usuwaj trzeciego (uziemiającego) bolca przewodu zasilającego. Pytania dotyczące zasilania i/lub uziemienia należy kierować do autoryzowanego elektryka lub autoryzowanego centrum serwisowego.
- Po podłączeniu urządzenia do gniazdka elektrycznego zostaw je na 2 - 3 godziny aby się ochłodziło, zanim włożysz cokolwiek do przestrzeni chłodzącej.

Wskazówka:

Nie zapomnij proszę zostawić w urządzeniu odrobiny wody, aby utrzymać wilgoć.

Likwidacja urządzenia:

Aby zapobiec możliwym szkodom dla środowiska lub zdrowia ludzkiego z powodu niekontrolowanej likwidacji odpadu, oddaj go do recyklingu, aby wspierać zrównoważone ponowne wykorzystanie zasobów materialnych. Likwidacja powinna być wykonana za pośrednictwem publicznych punktów zbiórki.

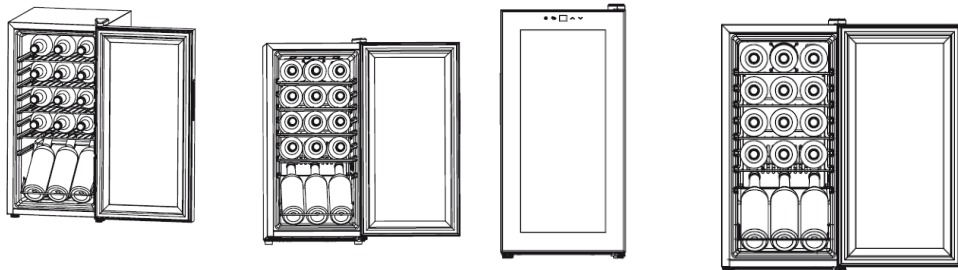
Instalacja, serwis:

Urządzenie powinno być umieszczone na równej podłodze, powinna zostać zapewniona odpowiednia wentylacja. Nie próbuj wymieniać ani naprawiać jakichkolwiek części urządzenia samodzielnie, w razie potrzeby zwróć się o pomoc do serwisu.

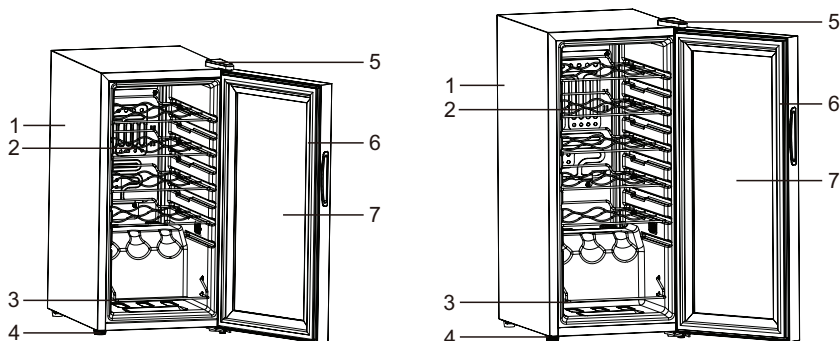
Obsługa:

Aby zapobiec uszkodzeniu, zawsze obsługuj urządzenie ostrożnie.

CZĘŚĆ 3. WYGLĄD



CZĘŚĆ 4. OPIS POSZCZEGÓLNYCH CZĘŚCI

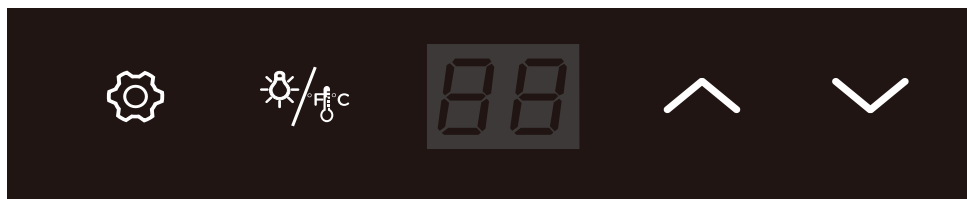


1. Szafka urządzenia
2. Półka
3. Dolny regał na wino
4. Regulowane nóżki
5. Zawias drzwiczek
6. Uszczelnienie drzwiczek
7. Drzwiczki z utwardzonego szkła


- To urządzenie nie jest przeznaczone do użytku jako urządzenie do zabudowy

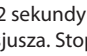
CZĘŚĆ 5. PRACA URZĄDZENIA

USTAWIENIE REGULATORA TEMPERATURY





Urządzenie zostało wyposażone w „automatyczną” blokadę panelu sterowania, która aktywuje się 20 sekund od ostatniego dotknięcia któregoś z przycisków.

Naciskając przycisk  przez 2 sekundy odblokujesz panel sterowania. Usłyszysz „SYGNAŁ AKUSTYCZNY” który ostrzega, że elementy sterowania są aktywne.

Naciskając przycisk  na 2 sekundy możesz wybrać ustawienie wyświetlania temperatury między stopniami Fahrenheita i Celsjusza. Stopnie wyświetlą się w kolorze niebieskim w okienku wyświetlania temperatury.

Jeśli panel sterowania jest aktywny, naciśnij przycisk , a oświetlenie LED wewnątrz urządzenia zgaśnie. Jeśli chcesz włączyć oświetlenie LED wewnątrz urządzenia, będziesz musiał ponownie nacisnąć ten przycisk.

Pożądaną temperaturę możesz ustawić naciskając przycisk . Po jednym naciśnięciu przycisku pożądana temperatura zwiększy się o 1 °F lub 1 °C.

Pożądaną temperaturę możesz ustawić naciskając przycisk . Po jednym naciśnięciu przycisku pożądana temperatura zmniejszy się o 1 °F lub 1 °C.

PORADY ZWIĄZANE Z OSZCZĘDNIEM ENERGII

- Chłodziarka powinna być umieszczona w najchłodniejszej części pomieszczenia, jak najdalej od urządzeń wytwarzających ciepło i z dala od bezpośredniego wpływu promieni słonecznych.
- Zanim włożysz gorące potrawy do urządzenia, pozostaw je do wystygnięcia do temperatury pokojowej. Przepelnienie urządzenia zmusi kompresor pracować dłużej.
- Nie zapomnij odpowiednio zapakować potrawy i wytrzyj pojemniki do sucha, zanim włożysz je do urządzenia. Zmniejszy to tworzenie szronu wewnątrz urządzenia.
- Przeszreń do magazynowania w urządzeniu nie może być wyłożona folią aluminiową, papierem woskowanym lub ręcznikiem papierowym. Opakowania te zakłóciłyby cyrkulację zimnego powietrza, co zmniejszyłoby wydajność urządzenia.
- Uporządkuj i oznacz potrawy, aby ograniczyć częstotliwość otwierania drzwiczek i długotrwałe wyszukiwanie. Wybierz jak najwięcej potrzebnych pozycji za jednym razem i jak najszybciej zamknij drzwiczki.

Klasa klimatu

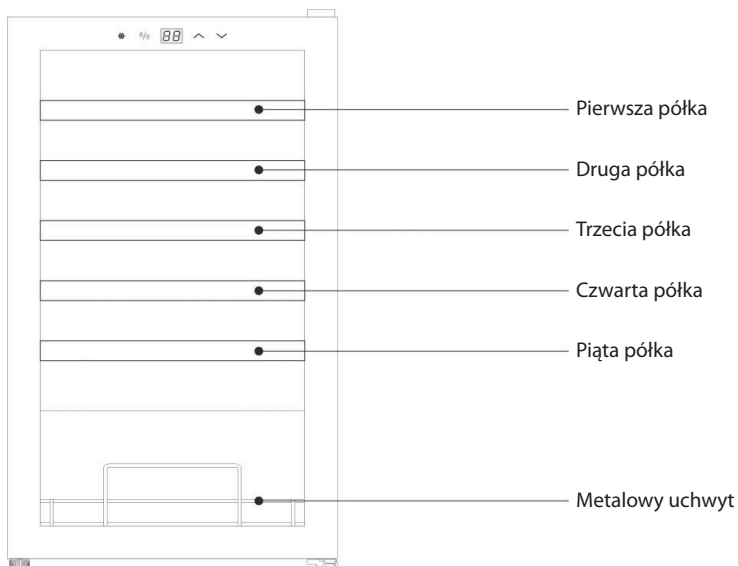
Skrót oznaczający zakres temperatur otoczenia, tj. SN, N, ST lub T, przy określaniu klas klimatycznych:

1. rozszerzona strefa umiarkowana (SN) ma zakres temperatur od 10 °C do 32 °C;
2. strefa umiarkowana (N) ma zakres temperatur od 16 °C do 32 °C;
3. strefa subtropikalna (ST) ma zakres temperatur od 16 °C do 38 °C;
4. strefa tropikalna (T) ma zakres temperatur od 16 °C do 43 °C.

- To urządzenie jest przeznaczone wyłącznie do przechowywania wina.
- To urządzenie nie jest odpowiednie do mrożenia żywności.
- Temperaturę w urządzeniu polecamy ustawić na 12 ° C.
- Półki są z produkcji umieszczone tak, aby energia została wykorzystana najefektywniej.
- Aby osiągnąć najbardziej efektywne zużycie energii poleca się takie rozmieszczenie półek w urządzeniu.

PW 18 KF

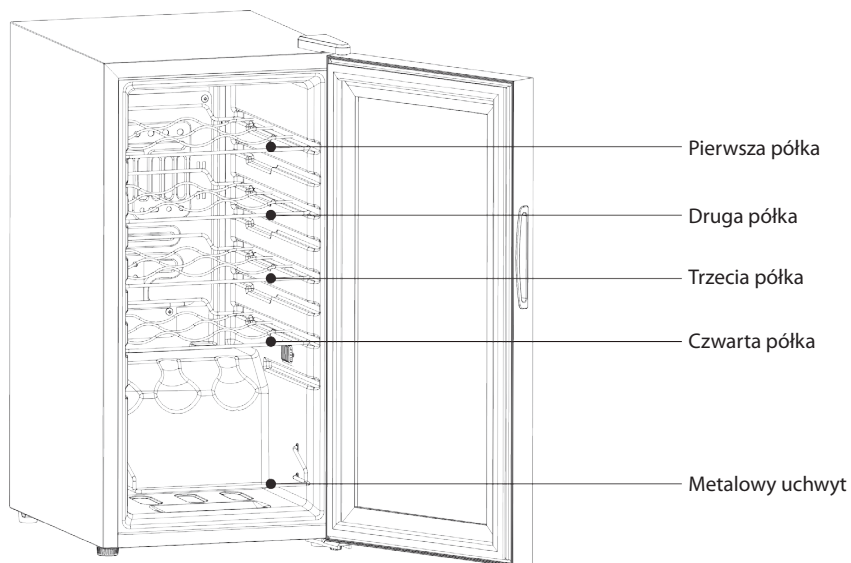
W URZĄDZENIU ZNAJDUJE SIĘ PIĘĆ PÓLEK I METALOWY UCHWYT



- GDY TEMPERATURA OTOCZENIA TO 25 ° C A W URZĄDZENIU NIE MA BUTELEK, ZWIĘKSZENIE TEMPERATURY W URZĄDZENIU Z 5 ° C NA 12 ° C BĘDZIE TRWAĆ OK. 30 MINUT. W TYCH SAMYCH WARUNKACH OBNIŻENIE TEMPERATURY Z 12 ° C NA 5 ° C BĘDZIE TRWAĆ OKOŁO GODZINY. IM MNIEJSZA RÓŻNICA TEMPERATUR, TYM KRÓCEJ TRWA ZWIĘKSZENIE LUB OBNIŻENIE TEMPERATURY.
- POLECAMY USTAWIĆ TEMPERATURĘ W URZĄDZENIU NA 12 ° C. ZUŻYCIE ENERGII DLA TEGO USTAWIENIA TO 0,329 KWH / 24H. JEŚLI JEST USTAWIONA WYŻSZA TEMPERATURA NIŻ 12 ° C, ZUŻYCIE ENERGII BĘDZIE NIŻSZE. JEŚLI JEST USTAWIONA TEMPERATURA MNIEJSZA NIŻ 12 ° C, ZUŻYCIE ENERGII BĘDZIE WYŻSZE.
- JEŚLI KOMPRESOR PRACUJE 8 GODZIN BEZ PRZERWY, NA 45 MINUT ZATRZYMA SIĘ I ROZMROZI.

PW 15 KF

W URZĄDZENIU ZNAJDUJĄ SIĘ CZTERY PÓŁKI I METALOWY UCHWYT



- GDY TEMPERATURA OTOCZENIA TO 25 ° C A W URZĄDZENIU NIE MA BUTELEK, ZWIĘKSZENIE TEMPERATURY W URZĄDZENIU Z 5 ° C NA 12 ° C BĘDZIE TRWAĆ OK. 30 MINUT. W TYCH SAMYCH WARUNKACH OBNIŻENIE TEMPERATURY Z 12 ° C NA 5 ° C BĘDZIE TRWAĆ OKOŁO GODZINY. IM MNIEJSZA RÓŻNICA TEMPERATUR, TYM KRÓCEJ TRWA ZWIĘKSZENIE LUB OBNIŻENIE TEMPERATURY.
- POLECAMY USTAWIĆ TEMPERATURĘ W URZĄDZENIU NA 12 ° C. ZUŻYCIE ENERGII DLA TEGO USTAWIENIA TO 0,392 KWH / 24H. JEŚLI JEST USTAWIONA WYŻSZA TEMPERATURA NIŻ 12 ° C, ZUŻYCIE ENERGII BĘDZIE NIŻSZE. JEŚLI JEST USTAWIONA TEMPERATURA MNIEJSZA NIŻ 12 ° C, ZUŻYCIE ENERGII BĘDZIE WYŻSZE.
- JEŚLI KOMPRESOR PRACUJE 12 GODZIN BEZ PRZERWY, NA 40 MINUT ZATRZYMA SIĘ I ROZMROZI.

CZĘŚĆ 6. PROBLEMY Z URZĄDZENIEM

Wiele zwykłych problemów możesz rozwiązać łatwo i oszczędzić w ten sposób koszty na ewentualne wzywanie serwisu. Zanim zadzwonisz do serwisu, wypróbuj niżej polecane sposoby, aby sprawdzić, czy możesz sam rozwiązać problem.

CZĘŚĆ 7. ROZWIĄZYWANIE PROBLEMÓW

PROBLEM	MOŻLIWA PRZYCZYNA
Urządzenie nie działa.	Nie jest podłączone do sieci elektrycznej. Doszło do wyłączenia wyłącznika instalacyjnego lub wypalenia bezpiecznika.
Częste włączanie i wyłączanie urządzenia.	Temperatura w pomieszczeniu jest wyższa niż normalnie. Do urządzenia została włożona duża ilość potraw. Drzwiczki były otwierane zbyt często. Drzwiczki nie są całkiem zamknięte. Regulator temperatury nie jest ustawiony odpowiednio. Uszczelnienie drzwiczek nie uszczelnia odpowiednio. Urządzenie nie ma odpowiedniej ilości przestrzeni wokół siebie.
Wibracje.	Sprawdź, czy urządzenie jest wyrównane.
Urządzenie jest bardzo głośne.	Grzechotanie może być słyszalne przy przepływie czynnika chłodzącego, jest to normalne. Po zakończeniu każdego cyklu, możesz usłyszeć klekotanie spowodowane przepływem czynnika chłodniczego w urządzeniu. Ściąganie i rozciąganie wewnętrznych ścian urządzenia, może powodować dźwięki pękania i stukania. Urządzenie nie stoi równo.
Drzwiczki nie zamykają się dobrze.	Urządzenie nie stoi równo. Drzwiczki były odwrócone i nie zostały zainstalowane odpowiednio. Uszczelka jest zabrudzona lub wygięta. Półki, przegródki lub kosze są wysunięte.

CZĘŚĆ 8. CZYSZCZENIE I KONSERWACJA

- Przed czyszczeniem zawsze odłączaj urządzenie od sieci elektrycznej.
- Wyjmij wszystkie butelki i półki z urządzenia.
- Wyczyść urządzenie delikatną ściereczką namoczoną w ciepłej wodzie ze środkiem czyszczącym. Półki wyczyść za pomocą delikatnej nawilżonej ściereki. Dokładnie je wysusz.
- Do czyszczenia nigdy nie używaj żadnych czyszczących ani żrących środków.

Wewnętrzne oświetlenie LED w urządzeniu nie może wymieniać użytkownik. Gdy oświetlenie LED przestanie działać, zwróć się do autoryzowanego serwisu.

CZĘŚĆ 9. DANE TECHNICZNE

Typ/model urządzenia	Chłodziarka do wina PW 15 KF	Chłodziarka do wina PW 18 KF
Prąd znamionowy	0,6 A	0,6 A
Moc oświetlenia	1 W	1 W
Gaz izolacyjny	Cyklopentan	Cyklopentan
Klasa ochrony przed porażeniem prądem elektrycznym	I	I
Chłodziwo/Ilość	R600a/21 g	R600a/21 g
Zużycie energii elektrycznej	0,392 kWh/24 h	0,392 kWh/24 h
Pojemność napełnienia butelkami	15	18

Przepraszamy za nieprzyjemności spowodowane drobnymi rozbieżnościami w tych instrukcjach, które mogą się pojawić w efekcie ulepszenia i rozwoju produktu.

WSKAZÓWKI DOTYCZĄCE PRZECHOWYWANIA

Uwzględnij poniższe wskazówki, aby nie dochodziło do psucia się żywności

- Długie otwieranie drzwiczek może spowodować znaczne podniesienie temperatury w częściach urządzenia.
- Regularnie czyść powierzchnie, które mogą mieć kontakt z żywnością oraz z dostępnymi systemami odwadniającymi.

RODZAJ przestrzeni	Docelowa temperatura przechowywania [°C]	Odpowiednie jedzenie
Wino	+5 ~ +20	Czerwone wino, białe wino, wino musujące itp.

CZĘŚĆ 10. ARKUSZ INFORMACYJNY

Arkusz informacyjny

PHILCO 

DELEGOWANE ROZPORZĄDZENIE KOMISJI (UE) 2019/2016

Nazwa lub znak producenta: PHILCO

Adres producenta: PHILCO, FAST ČR, a.s. U Sanitatu 1621 Říčany 251 01, Czech Republic

Znak identyfikacyjny modelu: PW 15 KF

Rodzaj sprzętu chłodniczego: Chłodziarka do wina

Urządzenie z niskim poziomem hałasu	Nie	Rodzaj urządzenia	wolnostojący
Urządzenie do przechowywania wina	Áno	Inne urządzenia chłodnicze	Ne

Podstawowe specyfikacje

Parametr	Wartość	Parametr	Wartość
Rozmiary w mm	Wysokość	Całkowita objętość (dm ³ lub l)	44
	Szerokość		
	Głębokość		
Wskaźnik efektywności energetycznej (EEL)	183	Klasa efektywności energetycznej*	G
Akustyczny dźwięk emisji hałasu (dB(A) re 1 pW)	41	Klasa emisji hałasu akustycznego	C
Roczne zużycie energii (kWh/rok)	143	Klasa klimatyczna:	N
Minimalna temperatura otoczenia (°C), dla której odpowiedni jest układ chłodzenia	16	Maksymalna temperatura otoczenia (°C), dla której odpowiedni jest układ chłodzenia	32
Nastawienie urządzenia na zimę	Nie		

Specyfikacja przestrzeni

Rodzaj przestrzeni		Parametry i wartość przestrzeni chłodzącej			
		Objętość urządzenia (dm ³ lub l)	Zalecane ustawienie temperatury dla optymalnego przechowywania żywności (°C)	Zdolność zamrażania (kg/24h)	Rodzaj rozmrażania (automatyczne rozmrażanie = A ręczne rozmrażanie = M)
Spizarnia	Nie	-	-	-	-
Przechowywanie wina	Tak	44	12	-	A
Piwnica	Nie	-	-	-	-
Świeża żywność	Nie	-	-	-	-
Komora zamrażarki	Nie	-	-	-	-

0 – gwiazdek lub kostka do lodu	Nie	-	-	-	-
1-gwiazdka	Nie	-	-	-	-
2-gwiazdki	Nie	-	-	-	-
3-gwiazdki	Nie	-	-	-	-
4-gwiazdki	Nie	-	-	-	-
2-gwiazdkowa przestrzeń	Nie	-	-	-	-
Szuflada ze zmienną temperaturą	Nie	-	-	-	-
Parametry źródła światła:					
Rodzaj źródła światła			LED		
Klasa efektywności energetycznej			-		
Minimalny okres gwarancji oferowany przez producenta: 24 miesiące					
Dodatkowe informacje:					
Link do strony internetowej producenta, na której są informacje o których mowa w pkt.4 lit. a) załącznika do rozporządzenia Komisji (UE) 2019/2022, można znaleźć na stronie: www.philco.cz					

* A (najwyższa wydajność) do G (najniższa wydajność)

Arkusz informacyjny



DELEGOWANE ROZPORZĄDZENIE KOMISJI (UE) 2019/2016

Nazwa lub znak producenta: PHILCO

Adres producenta: PHILCO, FAST ČR, a.s. U Sanitatu 1621 Říčany 251 01, Czech Republic

Znak identyfikacyjny modelu: PW 18 KF

Rodzaj sprzętu chłodniczego: Chłodziarka do wina

Urządzenie z niskim poziomem hałasu	Nie	Rodzaj urządzenia	wolnostojący
Urządzenie do przechowywania wina	Áno	Inne urządzenia chłodnicze	Ne

Podstawowe specyfikacje

Parametr	Wartość	Parametr	Wartość
Rozmiary w mm	Wysokość	Całkowita objętość (dm ³ lub l)	50
	Szerokość		
	Głębokość		
Wskaźnik efektywności energetycznej (EEI)	153	Klasa efektywności energetycznej*	G
Akustyczny dźwięk emisji hałasu (dB(A) re 1 pW)	43	Klasa emisji hałasu akustycznego	D
Roczne zużycie energii (kWh/rok)	120	Klasa klimatyczna:	N
Minimalna temperatura otoczenia (°C), dla której odpowiedni jest układ chłodzenia	16	Maksymalna temperatura otoczenia (°C), dla której odpowiedni jest układ chłodzenia	32
Nastawienie urządzenia na zimę	Nie		

Specyfikacja przestrzeni

Rodzaj przestrzeni	Parametry i wartość przestrzeni chłodzącej			
	Objętość urządzenia (dm ³ lub l)	Zalecane ustawienie temperatury dla optymalnego przechowywania żywności (°C)	Zdolność zamrażania (kg/24h)	Rodzaj rozmrażania (automatyczne rozmrażanie = A ręczne rozmrażanie = M)
Spizarnia	Nie	-	-	-
Przechowywanie wina	Tak	50	12	A
Piwnica	Nie	-	-	-
Świeża żywność	Nie	-	-	-
Komora zamrażarki	Nie	-	-	-

0 – gwiazdek lub kostkarka do lodu	Nie	-	-	-	-
1-gwiazdka	Nie	-	-	-	-
2-gwiazdki	Nie	-	-	-	-
3-gwiazdki	Nie	-	-	-	-
4-gwiazdki	Nie	-	-	-	-
2-gwiazdkowa przestrzeń	Nie	-	-	-	-
Szuflada ze zmienną temperaturą	Nie	-	-	-	-
Parametry źródła światła:					
Rodzaj źródła światła			LED		
Klasa efektywności energetycznej			-		
Minimalny okres gwarancji oferowany przez producenta: 24 miesiące					
Dodatkowe informacje:					
Link do strony internetowej producenta, na której są informacje o których mowa w pkt.4 lit. a) załącznika do rozporządzenia Komisji (UE) 2019/2022, można znaleźć na stronie: www.philco.cz					

* A (najwyższa wydajność) do G (najniższa wydajność)

INFORMACJE TECHNICZNE

Informacje techniczne można znaleźć na tabliczce znamionowej wewnątrz urządzenia oraz na etykiecie energetycznej. Kod QR na dostarczonej etykiecie energetycznej zawiera link do rejestracji urządzenia w unijnej bazie danych Eprei.

INFORMACJE O TESTACH

Dostarczone urządzenie jest zgodne z EcoDesign i EN62552-1:2020, EN62552-2:2020, EN62552-3:2020, EN60704-2-14:2013 + A11:2015 + A1:2019, EN60704-1:2010 + A11:2012. Wymagania dotyczące dostępu powietrza do prawidłowego działania urządzenia, minimalna odległość od ściany oraz wymiary urządzenia są częścią niniejszej instrukcji. W przypadku dalszych pytań prosimy o kontakt z producentem.

OBSŁUGA I OBSŁUGA KLIENTA

Zawsze używaj oryginalnych części zamiennych.

Oznakowanie modelu i numer serii znajdziesz na tablicy znamionowej. Pozycję tablicy znamionowej można zmienić bez uprzedniego ostrzeżenia. Oryginalne części zamienne dla niektórych konkretnych komponentów są do dyspozycji min. 7 lub 10 lat. Jest to zależne od typu komponentu oraz od wprowadzenia ostatniego urządzenia danego modelu na rynek.

Kontaktując się z naszym autoryzowanym serwisem, należy mieć dostępne oznaczenie modelu, numer seryjny i opis wady.

Aby pobrać dokumenty, odwiedź www.philco.pl.

Aby zgłosić usterkę i uzyskać dodatkowe informacje serwisowe, odwiedź www.philco.pl/sposoby-zglaszania-reklamacji-gwarancyjnej.

Zastrzega się możliwość zmian bez powiadomienia.

WSKAZÓWKI O INFORMACJE DOTYCZĄCE LIKWIDACJI ZUŻYTYCH OPAKOWAŃ

Materiały z opakowań zlikwiduj w publicznym punkcie likwidacji odpadów.

LIKWIDACJA ZUŻYTYCH URZĄDZEŃ ELEKTRYCZNYCH I ELEKTRONICZNYCH



Znaczenie symbolu na produkcie, jego akcesoriach lub opakowaniu oznacza, że z tym produktem nie wolno obchodzić się, jak ze zwykłym odpadem komunalnym. Zlikwiduj ten produkt w odpowiednim punkcie zbiórki i recyklingu odpadów z urządzeń elektrycznych i elektronicznych. Ewentualnie w niektórych państwach Unii Europejskiej lub innych państwach europejskich jest możliwy zwrot produktu lokalnemu sprzedawcy, w przypadku zakupu podobnego nowego produktu. Odpowiednia likwidacja tego produktu pomoże oszczędzić cenne źródła naturalne i pomoże w prewencji ewentualnego negatywnego wpływu na środowisko i zdrowie ludzkie, do którego mogłoby dojść w wyniku niewłaściwej likwidacji odpadów. Szczegółowe informacje uzyskasz od lokalnego urzędu lub w najbliższym centrum zbiórki odpadów. Niewłaściwa likwidacja tego typu odpadu może podlegać wewnątrzpaństwowym przepisom o mandatach.

Informacja dla firm w Unii Europejskiej

Jeśli chcesz zlikwidować urządzenie elektryczne lub elektroniczne, poproś o potrzebne informacje swojego sprzedawcę lub dostawcę.

Likwidacja w innych państwach poza Unią Europejską

Jeśli chcesz zlikwidować ten produkt, poproś o niezbędne informacje o odpowiednim sposobie likwidacji w miejscowym urzędzie lub u swojego sprzedawcy.



Ten produkt spełnia wszystkie podstawowe wymagania rozporządzenia UE, które się do niego stosują.

Zmiany w tekście, dizajnie i danych technicznych mogą się pojawić bez uprzedniego ostrzeżenia i zastrzegamy sobie prawo do wykonania tychże zmian.

Oryginał niniejszej instrukcji obsługi jest w języku czeskim.



OSTRZEŻENIE! PODCZAS UŻYWANIA, SERWISOWANIA ORAZ LIKWIDACJI ZWRÓĆ UWAGĘ NA SYMBOL PODOBNY DO TEGO PO LEWEJ STRONIE, KTÓRY JEST UMIESZCZONY NA TYLNEJ STRONIE URZĄDZENIA (TYLNY PANEL LUB KOMPRESOR) O ŻÓŁTYM LUB POMARAŃCZOWYM KOLORZE.



JEST TO SYMBOL OSTRZEGAWCZY O RYZYKU POŻARU. SĄ TU MATERIAŁY PALNE RUR I KOMPRESOR. BĄDŹ Z DALA OD ŹRÓDEŁ OGNI A PODCZAS UŻYWANIA, OBSŁUGI URZĄDZENIA I LIKWIDACJI.

Borhűtő

HASZNÁLATI ÚTMUTATÓ

PHILCO



Famous for Quality the World Over

PW 15 KF

PW 18 KF

Tisztelt Vásárló,
Köszönjük, hogy PHILCO terméket választott. Kérjük, hogy a készülék helyes használata érdekében olvassa el figyelmesen ezt a használati utasítást.

TARTALOM

1. BIZTONSÁGI ELŐÍRÁSOK	2
2. SZERELÉSI SZABÁLYOK	6
3. BEMUTATÁS	7
4. A KÉSZÜLÉK RÉSZEI	7
5. ÜZEMELTETÉS	8
A HŐMÉRSÉKLET-SZABÁLYOZÓ BEÁLLÍTÁSA	8
ENERGIAMEGTAKARÍTÁS TIPPEK.....	8
A KÉSZÜLÉKBEN ÖT POLC ÉS RÁCSOS TARTÓ	9
A KÉSZÜLÉK NÉGY POLCCAL ÉS RÁCSOS TARTÓ	10
6. FELLÉPHETŐ PROBLÉMÁK	11
7. HIBAEHÁRÍTÁS	11
8. TISZTÍTÁS ÉS ÁPOLÁS	12
9. MŰSZAKI ADATOK	12
TÁROLÁSI UTASÍTÁSOK	12
10. RÉSZ: TERMÉKCLAP	13
MŰSZAKI INFORMÁCIÓK.....	17
VIZSGÁLATI INFORMÁCIÓK.....	17
ÜGYFÉLKÖRNYEZET ÉS SZOLGÁLTATÁS.....	17
A CSOMAGOLÓANYAG SELEJTEZÉSÉRE VONATKOZÓ SZABÁLYOK ÉS TUDNIVALÓK.....	18
A HASZNÁLT ELEKTROMOS ÉS ELEKTRONIKUS KÉSZÜLÉKEK SELEJTEZÉSE	18



A készülék tesztelése az EU vonatkozó, érvényes szabványai szerint zajlott. A készülék megfelel az Európai Unió elektromos készülékek használatára vonatkozó biztonsági szabványainak.

1. BIZTONSÁGI ELŐÍRÁSOK

A KÉSZÜLÉKET 8 ÉV FELETTI GYERMEKEK ÉS CSÖKKENT FIZIKAI, ÉRTELMI VAGY MENTÁLIS KÉPESSÉGŰ, ILLETVE MEGFELELŐ TAPASZTALATOK VAGY ISMERETEK HÍJÁN LÉVŐ SZEMÉLYEK CSAK FELÜGYELETTEL, ILLETVE A KÉSZÜLÉK BIZTONSÁGOS HASZNÁLATÁRA ÉS A LEHETSÉGES VESZÉLYEKRE VONATKOZÓ MEGFELELŐ TÁJÉKOZTATÁS ESETÉN HASZNÁLHATJÁK.

A GYERMEKEK NEM JÁTSZHATNAK A KÉSZÜLÉKKEL. A TISZTÍTÁS ÉS KARBANTARTÁS FELÜGYELET NÉLKÜL NEM VÉGEZHEŐ GYERMEK ÁLTAL. A 3-8 ÉVES GYERMEKEK FELÜGYELET MELLETT A HŰTŐSZEKRENYBŐL KIVEHETNEK, ILLETVE A HŰTŐSZEKRENYBE BETEHETNEK ÉLELMISZEREKET.

HA A TÁPKÁBEL SÉRÜLT, A VESZÉLYHELYZETEK ELKERÜLÉSE ÉRDEKÉBEN CSERÉLTESSE KI AZT EGY MEGFELELŐ SZAKSZERVIZZEL. A KÉSZÜLÉK HASZNÁLATA TILOS, HA A TÁPKÁBEL SÉRÜLT!

FIGYELEM: A KÉSZÜLÉK HÁZÁBAN VAGY SZERKEZETÉBEN LÉVŐ SZELLŐZŐNYÍLÁSOKAT SZABADON KELL TARTANI.

FIGYELEM: NE HASZNÁLJON A GYÁRTÓ ÁLTAL AJÁNLOTTAKTÓL ELTÉRŐ MECHANIKUS ESZKÖZÖKET VAGY ESZKÖZÖKET A LEOLVASZTÁSI FOLYAMAT FELGYORSÍTÁSÁRA.

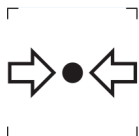
FIGYELEM: NE SÉRTSE MEG A HŰTŐKÖRT.

FIGYELEM: NE HASZNÁLJON ELEKTRONIKUS ESZKÖZÖKET A HŰTŐSZEKRÉNY ÉLELMISZEREK TÁROLÁSÁRA SZÁNT RÉSZÉBEN - LEGFELJEBB A GYÁRTÓ ÁLTAL AJÁNLOTT ESZKÖZT.

EZ A KÉSZÜLÉK KIZÁRÓLAG HÁZTARTÁSOKBAN HASZNÁLHATÓ, ÉS NEM EHHEZ HASONLÓ HELYEKEN, MINT:

- KONYHASARKOK ÜZLETEKBEN, IRODÁKBAN ÉS MÁS MUNKAHELYEKEN;
- HOSTELEK ELÉRHETŐSÉGE SZÁLLODÁKBAN, MOTELEKBEN ÉS MÁS LAKÓNEGYEDEKBEN;
- JELENTŐS VÁLTOZÁSOK A BERUHÁZÁSOK SZINTJÉBEN;
- IPARI ÉS NEM GYÁRTÁSI PROTÉZISEK FEJLESZTÉSE.

NE TÁROLJON ROBBANÁSVESZÉLYES DOLGOKAT - PÉLDÁUL SZÓRÓFEJES KISZERELÉSŰ, GYÚLÉKONY GÁZT A HŰTŐSZEKRÉNYBEN.



ISO 7000-1701 (2004-01) CÍMKÉ:
NYOMÁS ALATT



TŰZVESZÉLY / GYŰLÉKONY ANYAG!

R600A

A KÉSZÜLÉK HŰTŐRENDSZERE IZOBUTÁN (R600A) HŰTŐKÖZEGET TARTALMAZ, MELY EGY OLYAN TERMÉSZETES GÁZ, MELY A KÖRNYEZETET NEM TERHELI, VISZONT GYŰLÉKONY. A KÉSZÜLÉK SZÁLLÍTÁSA ÉS TELEPÍTÉSE KÖZBEN BIZTOSÍTSA, HOGY A HŰTŐRENDSZER EGYETLEN ELEME SE SÉRŰLHESSEN!

FIGYELEM: PŘI UMÍSTĚOVÁNÍ SPOTŘEBIČE SE MUSÍ ZAJISTIT, ABY NAPÁJECÍ PŘÍVOD NEBYL ZACHYCNEN NEBO POŠKOZEN.

FIGYELEM: NEUMÍSTĚOVAT VÍCENÁSOBNÉ PŘENOSNÉ ZÁSUVKY NEBO PŘENOSNÉ PRODLUŽOVACÍ PŘÍVODY NA ZADNÍ STRANU SPOTŘEBIČE.

- AZ AJTÓ HOSSZÚ IDEIG TARTÓ KINYITÁSA A KÉSZÜLÉK BELSEJÉBEN JELENTŐS HŐMÉRSÉKLET-EMELKEDÉST OKOZHAT.
- A FELÜLETEKET RENDSZERESEN TISZTÍTANI KELL.
- A VILÁGÍTÁS JAVÍTÁSÁHOZ VAGY CSERÉJÉHEZ FORDULJON EGY SZERVIZKÖZPONTHOZ.

EGYÉB AJÁNLÁSOK

- NE HOSSZABBÍTSA MEG A TÁPKÁBELT.
- ÜGYELJEN ARRA, HOGY A TÁPKÁBEL ÉS A CSATLAKOZÓ MINDIG ÉP LEGYEN. A SÉRÜLT ALKATRÉSZEK HASZNÁLATA ESETÉN TŰZVESZÉLY, ZÁRLAT, ILLETVE ÁRAMÜTÉS KOCKÁZATA ÁLL FENN.
- MINDIG ÜGYELJEN ARRA, HOGY A KÉSZÜLÉK TÁPKÁBELE ÉS ANNAK HÁLÓZATI CSATLAKOZÓJA KÖNNYEN ELÉRHETŐ LEGYEN.
- A KÉSZÜLÉKET NE HELYEZZE EL ÚGY, HOGY AZ A TÁPKÁBELEN ÁLLJON.
- A KÉSZÜLÉKET NE HELYEZZE PÁRÁS, NEDVES KÖRNYEZETBE; A TÁPKÁBEL NEM ÉRHEZ VÍZHEZ!
- NE HÚZZA KI A CSATLAKOZÓT A KÁBELNÉL FOGVA.
- NE HASZNÁLJA A FALI CSATLAKOZÓT, HA A CSATLAKOZÓ SÉRÜLT, VAGY LAZA.
- NE HASZNÁLJA A KÉSZÜLÉKET, HA A BELSŐ VILÁGÍTÁS FEDELE HIÁNYZIK.
- A HŰTŐSZEKRENY CSAK EGYFÁZISÚ, VÁLTÓÁRAMÚ, 220~240V/50HZ NÉVLEGES FESZÜLTSGŰ HÁLÓZATI ÁRAMFORRÁSRÓL ÜZEMELTETHETŐ. HA A HASZNÁLAT HELYÉN A FESZÜLTSGINGADOZÁS A FENTI TARTOMÁNYON KÍVÜLI FESZÜLTSGÉRTÉKET EREDMÉNYEZHET, A KÉSZÜLÉKHEZ BIZTONSÁGI OKOKBÓL HASZNÁLJON AUTOMATIKUS VÁLTÓÁRAMÚ FESZÜLTSGSZABÁLYOZÓT, MELY LEGALÁBB 350W TELJESÍTMÉNYHEZ MEGFELELŐ.
- A KÉSZÜLÉK SPECIÁLIS HÁLÓZATI CSATLAKOZÓVAL RENDELKEZIK. CSATLAKOZTATÁSA FÖLDELÉSSEL ELLÁTOTT KONNEKTORHOZ LEHETSÉGES.

2. SZERELÉSI SZABÁLYOK

- A készüléknek szabadon kell állnia, süllyesztése vagy beépítése nem ajánlatos.
- Helyezze a készüléket egy olyan helyre, ahol a padló elég erős ahhoz, hogy a teljesen megtöltött hűtőszekrényt is elbírja. A készülék egyensúlyba helyezhető az alsó részben található szabályozó lábak segítségével.
- A készülék NEM építhető olyan szekrénybe vagy konyhabútorba, amely egy ajtóval záródik, függetlenül az ajtó típusától.
- Mindig hagyjon 10 cm üres helyet a készülék felső és hátsó része, illetve két oldala és a környező falak között. A levegő szabad áramlása elengedhetetlen a kompresszor helyes működése és hűtése szempontjából.
- Ne helyezze hőforrások vagy tűző napsugarak közelébe a készüléket (kályha, melegítő, fűtőttest stb.). A napsugarak foltokat okozhatnak az akril felületen, a hőforrások pedig növelik a készülék energiafogyasztását. A szélsőségesen hideg környezet is kedvezőtlenül befolyásolja a készülék működését.
- Ne helyezze a készüléket nedves helyre.
- A készüléket egy önálló, szakszerűen telepített fali aljzathoz kell csatlakoztatni. Soha ne távolítsa el a harmadik (földelő) kontaktust a csatlakozó kábelből. Ha kétségei lennének a tápfeszültséggel és a földeléssel kapcsolatban, forduljon segítségért egy szakképzett villanszerelőhöz vagy a márkaszervizhez.
- Csatlakoztatás után hagyja a készüléket 2-3 órán keresztül üresen, hogy kellőképpen lehűljön, mielőtt beletenné az élelmiszert.

Megjegyzés:

Hagyjon kis mennyiségű vizet a készülékben a szükséges páratartalom fenntartása miatt.

A régi készülék selejtezése:

A készülék szakszerű selejtezése megelőzi az esetleges negatív khatásokat az emberi egészségre és a környezetre. A helyes selejtezéssel hozzájárul az elavult készülékek megfelelő feldolgozásához és újrahasznosításához. A használt készülékek selejtezése csak felhatalmazott gyűjtőhelyeken megengedett.

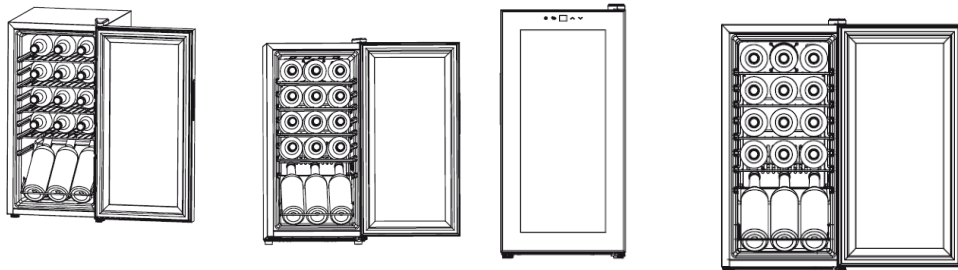
Szerelés, szerviz:

A készüléket egy vízszintes felületen kell felállítani, és be kell biztosítani a levegő szabad áramlását. Ne próbálja sajátkezűleg megjavítani a készüléket. Szükség esetén forduljon segítségért a márkaszervizhez.

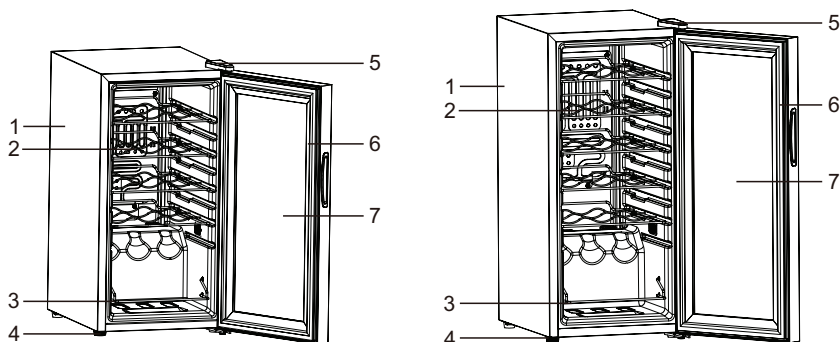
Kezelés:

A készüléket óvatosan kell kezelni, nehogy megkárosodjon.

3. BEMUTATÁS



4. A KÉSZÜLÉK RÉSZEI

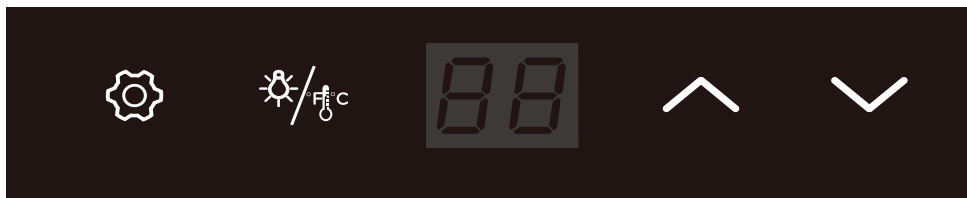


1. A készülék váza
2. Polc
3. Alsó bortároló
4. Szabályozólábak
5. Ajtópánt
6. Ajtótömítés
7. Edzett üvegajtó


- Ez a készülék nem beépített készülékként használható.

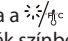
5. ÜZEMELTETÉS

A HŐMÉRSÉKLET-SZABÁLYOZÓ BEÁLLÍTÁSA





A készülék egy „automatikus” vezérlőpanel - zárral rendelkezik, amely 20 másodperccel egy kezelőgomb utolsó megérintése után aktíválódik.

Tartsa 2 másodpercig lenyomva a  gombot a zár kioldásához. Egy „HANGJELZÉS” lesz hallható, amely arra figyelmeztet, hogy a kezelőgombok most használhatók.

Tartsa 2 másodpercig lenyomva a  gombot a hőmérséklet értékének átkapcsolásához Fahrenheit és Celsius fokok között. A hőfok kék színben látható a hőmérséklet-ábrázolás mezőben.

Ha a vezérlőpanel aktív, nyomja meg az  gombot, és a borospincében lévő LED világítás kialszik. Ha fel akarja kapcsolni a borboltban a LED-es világítást, ismét meg kell nyomnia ezt a gombot.

A kívánt hőmérsékletet a  gombbal lehet beállítani. A hőmérséklet minden gombnyomásnál 1 °F vagy 1 °C értékkel emelkedik.

A kívánt hőmérsékletet a  gombbal lehet beállítani. A hőmérséklet minden gombnyomásnál 1 °F vagy 1 °C értékkel csökken.

ENERGIAMEGTAKARÍTÁS TIPPEK

- Helyezze a borhűtőt a helyiség leghidegebb részébe, minél távolabb hőt termelő készülékektől, és a közvetlen napsugaraktól.
- Hagyja szobahőmérsékletűre hűlni az élelmiszert, mielőtt behelyezné a készülékbe. A készülék túlterhelése esetén a kompresszor kénytelen hosszabb ideig működni.
- Az élelmiszert csomagolja be, az edényeket pedig törölje szárazra, mielőtt betenné a készülékbe. Ez megakadályozza a jegesedés képződését a készülék belsejében.
- A készülékben található kosarat ne takarja le alufóliával, viaszos papírral vagy papírtörölvél. A letakarás meggátolja a hideg levegő szükséges körforgását, ami csökkenti a hűtés hatékonyságát.
- Csoportosítsa és jelölje meg kellőképpen az élelmiszert a hűtőszekrényben. Ezáltal csökkenthető az ajtónyitások száma és hossza. Vegyen ki egyszerre minél több élelmiszert, majd a hűtőszekrény ajtaját azonnal csukja be.

Klíma osztály

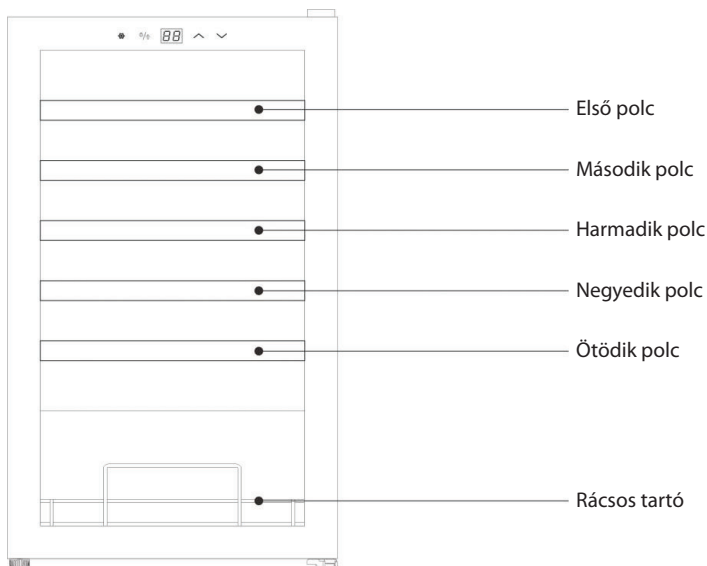
A környezeti hőmérsékleti tartomány rövidítése, azaz SN, N, ST vagy T az éghajlati osztályok meghatározásakor:

1. a kiterjesztett mérsékelt égövi tartomány (SN) hőmérséklet-tartománya 10 °C és 32 °C között van;
2. a mérsékelt égöv (N) hőmérséklet-tartománya 16 °C és 32 °C között van;
3. a szubtrópusi zóna (ST) hőmérséklet-tartománya 16 °C és 38 °C között van,
4. a trópusi zóna (T) hőmérsékleti tartománya 16-43 °C.

- Ez a készülék kizárólag borok tárolására használható.
- A készülék nem alkalmas élelmiszer fagyasztásához.
- Javasoljuk a 12 °C hőmérséklet beállítását a készülékben.
- A polcok elrendezését a leghatékonyabb energia-felhasználás szempontjából tervezték.
- A leghatékonyabb energia-felhasználáshoz a polcok alábbi kombinációját javasoljuk a készülékben.

PW 18 KF

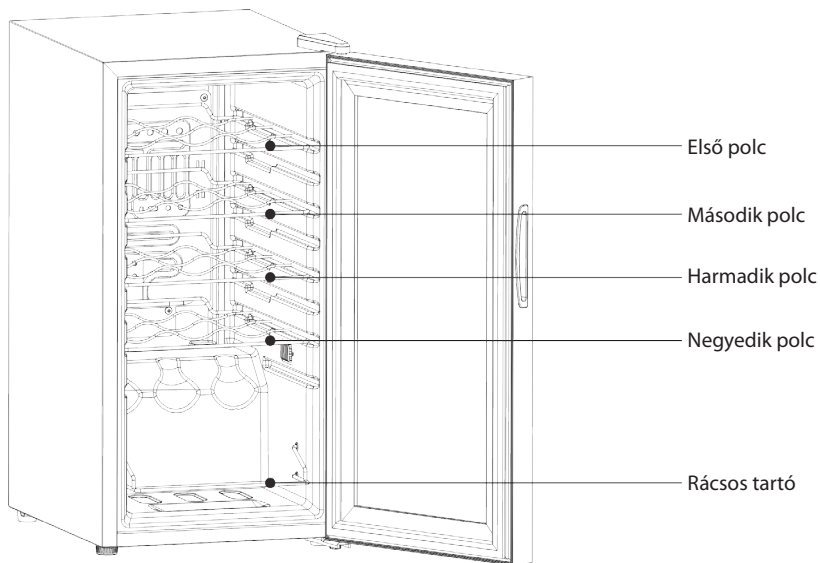
A KÉSZÜLÉKBEN ÖT POLC ÉS RÁCSOS TARTÓ



- 25 °C KÖRNYEZŐ HŐMÉRSÉKLETNÉL, HA NINCSENEK BEHELYEZVE PALACKOK, A HŐMÉRSÉKLET EMELKEDÉSE A KÉSZÜLÉKBEN 5 °C-RÓL 12 °C-RA MINTEGY 30 PERCET VESZ IGÉNYBE. UGYANILYEN FELTÉTELEK MELLETT A HŐMÉRSÉKLET CSÖKKENÉSE 12 °C-RÓL 5 °C-RA MINTEGY 1 ÓRÁT VESZ IGÉNYBE. MINÉL KISEBB A HŐMÉRSÉKLET-TARTOMÁNY, ANNÁL RÖVIDEBB IDEIG TART A HŐMÉRSÉKLET EMELKEDÉSE VAGY CSÖKKENÉSE.
- A HŐMÉRSÉKLET BEÁLLÍTÁSÁT 12 °C ÉRTÉKRE JAVASOLJUK. ENNÉL A BEÁLLÍTÁSNAZ AZ ÁRAMFOGYASZTÁS 0,329 KWH / 24H. HA A BEÁLLÍTOTT HŐMÉRSÉKLET MAGASABB 12 °C-NÁL, AZ ÁRAMFOGYASZTÁS KISEBB LESZ. HA A BEÁLLÍTOTT HŐMÉRSÉKLET ALACSONYABB 12 °C-NÁL, AZ ÁRAMFOGYASZTÁS NAGYOBB LESZ.
- HA A KOMPRESSZOR 8 ÓRÁN ÁT MEGSZAKÍTÁS NÉLKÜL MŰKÖDÖTT, AKKOR A MŰKÖDÉS 45 PERCRE LEÁLL ÉS A KÉSZÜLÉK LEOLVAD.

PW 15 KF

A KÉSZÜLÉK NÉGY POLCCAL ÉS RÁCSOS TARTÓ



- 25 ° C KÖRNYEZŐ HŐMÉRSÉKLETNÉL, HA NINCSENEK BEHELYEZVE PALACKOK, A HŐMÉRSÉKLET EMELKEDÉSE A KÉSZÜLÉKBEN 5 ° C-RÓL 12 ° C-RA MINTEGY 30 PERCET VESZ IGÉNYBE. UGYANILYEN FELTÉTELEK MELLETT A HŐMÉRSÉKLET CSÖKKENÉSE 12 ° C-RÓL 5 ° C-RA MINTEGY 1 ÓRÁT VESZ IGÉNYBE. MINÉL KISEBB A HŐMÉRSÉKLET-TARTOMÁNY, ANNÁL RÖVIDEBB IDEIG TART A HŐMÉRSÉKLET EMELKEDÉSE VAGY CSÖKKENÉSE.
- A HŐMÉRSÉKLET BEÁLLÍTÁSÁT 12 ° C ÉRTÉKRE JAVASOLJUK. ENNÉL A BEÁLLÍTÁSNAI AZ ÁRAMFOGYASZTÁS 0,392 KWH / 24H. HA A BEÁLLÍTOTT HŐMÉRSÉKLET MAGASABB 12 ° C-NÁL, AZ ÁRAMFOGYASZTÁS KISEBB LESZ. HA A BEÁLLÍTOTT HŐMÉRSÉKLET ALACSONYABB 12 ° C-NÁL, AZ ÁRAMFOGYASZTÁS NAGYOBB LESZ.
- HA A KOMPRESSZOR 12 ÓRÁN ÁT MEGSZAKÍTÁS NÉLKÜL MŰKÖDÖTT, AKKOR A MŰKÖDÉS 40 PERCRE LEÁLL ÉS A KÉSZÜLÉK LEOLVAD.

6. FELLÉPHETŐ PROBLÉMÁK

A legtöbb felmerülő probléma egyszerűen megoldható, amivel sok pénz takarítható meg. Olvassa el az alábbi tanácsokat, mielőtt még egy szerviz-technikushoz fordulna segítségért.

7. HIBAELHÁRÍTÁS

PROBLÉMA	LEHETSÉGES OK
Nem működik a készülék.	Nincs csatlakoztatva az áramkörhöz. Ki van kapcsolva a megszakító, kiégett a biztosíték.
A készülék gyakran be – és kikapcsol.	A helység hőmérséklete magasabb az átlagosnál. Túl sok élelmiszert helyezett a készülékbe. Gyakori ajtónyitás. Az ajtó nincs rendesen becsukva. Rosszul van beállítva a hőmérséklet – szabályozó. Az ajtó tömítése nem tökéletes. Nincs elég szabad hely a készülék körül.
Rezgések.	Ellenőrizze, hogy vízszintben van-e a készülék.
Túl zajos a készülék.	A csobogó hangot a hűtőközeg áramlása okozza, nem számít rendellenességnek. A hűtőciklus befejeztével csobogás hallható, amit a hűtőközeg áramlása okoz a készülékben. A pattogást a belső falak tágulása és összehúzódása okozza. A készülék nincs vízszintben.
Nem lehet rendesen becsukni az ajtót.	A készülék nem áll egyenesen. Az ajtó a megfordítás után rosszul lett felszerelve. A tömítés szennyezett vagy deformálódott. A rekeszek, kosarak vagy tartályok nincsenek a helyükön.

8. TISZTÍTÁS ÉS ÁPOLÁS

- Tisztítás előtt mindig válassza le a készüléket a tápellátásról.
- Vegye ki az összes palackot és polcot.
- Tisztítsa meg a készüléket egy mosogatószeres meleg vízbe mártott finom szövettel. A belső teret törölje át egy nedves szövettel. Tisztítsa meg a polcokat egy nedves szövettel, majd törölje szárazra.
- A tisztításhoz soha nem szabad durva vagy nagyon erős szerszámot használni.

A belső LED izzót nem cserélheti ki a felhasználó. Ha nem működik a LED világítás, forduljon segítségért a helyi márkaszervizhez.

9. MŰSZAKI ADATOK

Típus/modell	Borhűtő PW 15 KF	Borhűtő PW 18 KF
Névleges áram	0,6 A	0,6 A
Világítás – teljesítmény	1 W	1 W
Szigetelő gáz	Ciklopentán	Ciklopentán
Áramütés elleni védőkategória	I	I
Hűtőközeg/Mennyiség	R600a/21 g	R600a/21 g
Elektromos áramfogyasztás	0,392kWh/24 h	0,392kWh/24 h
Palacktároló térfogat	15	18

A termék állandó fejlesztése miatt az útmutatóban ismertetett adatok az Ön készüléke esetében részben eltérők lehetnek.

TÁROLÁSI UTASÍTÁSOK

Kérjük, tartsa be az alábbi utasításokat az élelmiszer-szennyeződés elkerülése érdekében.

- A hosszantartó ajtónyitás következtében jelentősen emelkedhet a belső tér hőmérséklete.
- Rendszeresen meg kell tisztítani az élelmiszerral és a vízelvezető rendszerekkel érintkező felületeket.

Tárolótér	Tároló célhőmérséklet [°C]	Élelmiszer típusa
Bor	+5 ~ +20	Vörösbor, fehér bor, pezsgő bor stb.

10. RÉSZ: TERMÉKLAP

Terméklap

PHILCO 

A BIZOTTSÁG FELHATALMAZÁSON ALAPULÓ RENDELETE (EU) 2019/2016

A gyártó neve vagy védjegye: PHILCO

A gyártó székhelye: PHILCO, FAST ČR, a.s. U Sanitasy 1621 Říčany 251 01, Czech Republic

Modellszám: PW 15 KF

Hűtőberendezés-típus: Borhűtő

Alacsony zajszintű készülék:	Nem	Készülék típusa:	Szabadon álló
Bortároló készülék:	Igen	Más hűtőkészülékek:	Nem

Más hűtőkészülékek:

Paraméter	Érték	Paraméter	Érték
Méretek mm	Magasság	Teljes térfogat (dm ³ vagy l)	44
	Szélesség		
	Mélység		
Energiahatékonysági index (EEL)	183	Energiahatékonysági osztály*	G
Zajkibocsátás akusztikus hang (dB(A) re 1 pW)	41	Akusztikus zajkibocsátás osztálya	C
Éves energiafogyasztás (kWh/év)	143	Klimatikus osztály:	N
Minimális környező hőmérséklet (°C), melynél használható a hűtőberendezés	16	Maximális környező hőmérséklet (°C), melynél használható a hűtőberendezés	32
Készülék beállítása téltre	Nem		

A tér paraméterei

Tér típusa	A hűtőtér paraméterei és értékei				
	Készülék térfogata (dm ³ vagy l)	Javasolt hőmérséklet-beállítások optimalizált élelmiszer-tároláshoz (°C)	Fagyasztó-térfogat (kg/24h)	Leolvasztás típusa: (önleolvasztó = A kézi leolvasztás = M)	
Kamra/spájz	Nem	-	-	-	
Bortárolás	Igen	44	12	A	
Pincehelyiség	Nem	-	-	-	
Friss élelmiszer	Nem	-	-	-	
Fagyasztótér	Nem	-	-	-	
0-csillag vagy jégkészítő	Nem	-	-	-	

1-csillag	Nem	-	-	-	-
2-csillag	Nem	-	-	-	-
3-csillag	Nem	-	-	-	-
4-csillag	Nem	-	-	-	-
2-csillagos tér	Nem	-	-	-	-
Fiók váltakozó hőmérséklettel	Nem	-	-	-	-
Fényforrás paramétere:					
Fényforrás típusa			LED		
Energiahatékonysági osztály			-		
A gyártó által biztosított minimális garancia: 24 hónap					
Kiegészítő információk:					
Weblink a gyártó weboldalára a 4. pontban ismertetett információkkal (és) a Komisszió (EU) 2019/2022 rendeletének mellékletével, forrás: www.philco.cz					

* A (legnagyobb hatékonyság) - G (legkisebb hatékonyság)

Terméklap

PHILCO 

A BIZOTTSÁG FELHATALMAZÁSON ALAPULÓ RENDELETE (EU) 2019/2016

A gyártó neve vagy védjegye: PHILCO

A gyártó székhelye: PHILCO, FAST ČR, a.s. U Sanitasy 1621 Říčany 251 01, Czech Republic

Modellszám: PW 18 KF

Hűtőberendezés-típus: Borhűtő

Alacsony zajszintű készülék:	Nem	Készülék típusa:	Szabadon álló
Bortároló készülék:	Igen	Más hűtőkészülékek:	Nem

Más hűtőkészülékek:

Paraméter	Érték	Paraméter	Érték
Méretek mm	Magasság	Teljes térfogat (dm ³ vagy l)	50
	Szélesség		
	Mélység		
Energiahatékonysági index (EEI)	153	Energiahatékonysági osztály*	G
Zajkibocsátás akusztikus hang (dB(A) re 1 pW)	43	Akusztikus zajkibocsátás osztálya	D
Éves energiafogyasztás (kWh/év)	120	Klimatikus osztály:	N
Minimális környező hőmérséklet (°C), melynél használható a hűtőberendezés	16	Maximális környező hőmérséklet (°C), melynél használható a hűtőberendezés	32
Készülék beállítása télre	Nem		

A tér paramétere

Tér típusa	A hűtőtér paramétere				
	Készülék térfogata (dm ³ vagy l)	Javasolt hőmérséklet-beállítások optimalizált élelmiszer-tároláshoz (°C)	Fagyasztó-térfogat (kg/24h)	Leolvasztás típusa: (önleolvasztó = A kézi leolvasztás = M)	
Kamra/spájz	Nem	-	-	-	
Bortárolás	Igen	50	12	A	
Pincehelyiség	Nem	-	-	-	
Friss élelmiszer	Nem	-	-	-	
Fagyasztótér	Nem	-	-	-	
0-csillag vagy jégkészítő	Nem	-	-	-	

1-csillag	Nem	-	-	-	-
2-csillag	Nem	-	-	-	-
3-csillag	Nem	-	-	-	-
4-csillag	Nem	-	-	-	-
2-csillagos tér	Nem	-	-	-	-
Fiók váltakozó hőmérséklettel	Nem	-	-	-	-

Fényforrás paraméterei:

Fényforrás típusa	LED
Energiahatékonysági osztály	-

A gyártó által biztosított minimális garancia: 24 hónap

Kiegészítő információk:

Weblink a gyártó weboldalára a 4. pontban ismertetett információkkal (és) a Komisszió (EU) 2019/2022 rendeletének mellékletével, forrás: www.philco.cz

* A (legnagyobb hatékonyság) - G (legkisebb hatékonyság)

MŰSZAKI INFORMÁCIÓK

A műszaki információka készülék belsejében található típustáblán és az energiacímkén található. A mellékelt energiacímkén található QR-kód tartalmaz egy linket a készülék regisztrálására az EU Eprei adatbázisában. Őrizze meg az energiacímkét, a használati utasítást, valamint a készülékhez kapott egyéb dokumentumokat.

VIZSGÁLATI INFORMÁCIÓK

A leszállított készülék megfelel az EcoDesign és az EN62552-1:2020, EN62552-2:2020, EN62552-3:2020, EN60704-2-14:2013 + A11:2015 + A1:2019, EN60704-1:2010 + A11:2012 szabványoknak. A készülék helyes működéséhez, a faltól való minimális távolsághoz és a készülék méretéhez szükséges légi hozzáférési követelmények a kézikönyv részét képezik. További kérdéseivel forduljon a gyártóhoz.

ÜGYFÉLKÖRNYEZET ÉS SZOLGÁLTATÁS

Mindig eredeti pótalkatrészeket használjon.

A modellnév és a sorozatszám a típuslapon található. A típuslap helyzete előzetes figyelmeztetés nélkül megváltozhat.

Az eredeti pótalkatrészek néhány konkrét komponenshez legalább 7-10 évig rendelkezésre állnak. Ez a komponens típusától és az adott modell utolsó készüléke forgalomba hozatalának idejétől függ.

Amikor kapcsolatba lép a hivatalos szervizünkkel, rendelkezésére kell bocsátani a modell megnevezését, a sorozatszámot és a hibaleírást.

Dokumentumok letöltéséhez látogasson el a www.philco.hu oldalra.

Ha hibát szeretne jelenteni, és további szolgáltatási információkat szeretne kapni, látogasson el a www.philco.hu/tamogatas-szerviz oldalra.

Előzetes értesítés nélkül változtatható.

A CSOMAGOLÓANYAG SELEJTEZÉSÉRE VONATKOZÓ SZABÁLYOK ÉS TUDNIVALÓK

A csomagolóanyagokat nyilvános hulladék-értékesítő telepekre kell szállítani.

A HASZNÁLT ELEKTROMOS ÉS ELEKTRONIKUS KÉSZÜLÉKEK SELEJTEZÉSE



Ez az ikon azt jelenti, hogy a készülék az EU államaiban nem selejtezhető a háztartási hulladékkal együtt. A felelősségteljes hulladékselejtezés és a nyersanyagok újrahasznosítása megelőzi az esetleges negatív kihatásokat a környezetre és az emberi egészségre. Szállítsa el a helyi gyűjtőtelepre a selejtezésre szánt régi készüléket, vagy lépjen kapcsolatba a termék vízszinteladóval, aki egy új termék vásárlása esetén ugyancsak átveheti Öntől a készüléket, és gondoskodik majd a termék helyes és biztonságos selejtezéséről. Részletes információkkal a helyi hivatal vagy a hulladékgyűjtő telep is szolgálhat. A nem megfelelő selejtezés büntetést vonhat maga után az állami előírások és szabványok értelmében.

Jogi személyek az EU területén

Az elektromos vagy elektronikus készülék selejtezése előtt forduljon segítségért az eladóhoz vagy forgalmazóhoz.

Selejtezés nem EU államokban

Az elektromos vagy elektronikus készülék selejtezése előtt forduljon segítségért a helyi hivatalhoz vagy a termék forgalmazójához.



Ez a termék megfelel az EU valamennyi vonatkozó irányelvének.

A gyártó fenntartja a szöveg, dizájn és műszaki adatok előzetes figyelmeztetés nélküli változtatásának jogát.

A használati útmutató eredeti példája cseh nyelven.



VIGYÁZAT! HASZNÁLAT, ÁPOLÁS ÉS SELEJTEZÉS KÖZBEN SZENTELJEN FIGYELMET A BAL OLDALON FELTÜNTETETT, VAGY HASONLÓ JELZÉSNEK A KÉSZÜLÉK HÁTSÓ RÉSZÉN (HÁTLAG VAGY KOMPRESSZOR), SÁRGA VAGY NARANCSSÁRGA SZÍNBEN.



EZ A TŰZVESZÉLY SZIMBÓLUMA. A CSŐVEZETÉK ÉS A KOMPRESSZOR GYŰLÉKONY ANYAGOKAT TARTALMAZ. HASZNÁLAT, ÁPOLÁS ÉS SELEJTEZÉS KÖZBEN TARTSA TÁVOL A KÉSZÜLÉKET MINDEN TŰZFORRÁSTÓL!

Výrobce/Manufacturer:
Fast ČR, a.s.
U Sanítasu 1621
Říčany 251 01, CZECH REPUBLIC

Distributor:
FAST PLUS, a.s.
Na pántoch 18
831 06 Bratislava, SLOVAKIA

Distributor:
FAST POLAND Sp. z o. o.
Kwietniowa 36
05-090 Wypędy, POLAND

Distributor:
FAST HUNGARY Kft.
H-2310 Szigetszentmiklós
Kántor utca 10, HUNGARY

PHILCO[®] 

is a pending or registered trademark of Electrolux Home Products, Inc. and used under a license from Electrolux Home Products, Inc.