

Dishwasher

OWNER'S MANUAL

PHILCO



Famous for Quality the World Over


PDI 1568 DLT
PDI 1568 DLTDX

**Dear customer,
Thank you for buying a PHILCO brand product. So that your appliance serves you well, please read all the instructions in this user's manual.**

CONTENTS

PART 1: SAFETY PRECAUTIONS	2
PART 2: INSTALLATION	5
PART 3: TECHNICAL SPECIFICATIONS	8
PART 4: BEFORE USING THE APPLIANCE	9
PART 5: LOADING YOUR DISHWASHER	13
PART 6: PROGRAMME TABLE	17
PART 7: THE CONTROL PANEL	19
PART 8: CLEANING AND MAINTENANCE	22
PART 9: TROUBLESHOOTING	24
PART 10: PRODUCT INFORMATION SHEET	27

PART 1: SAFETY PRECAUTIONS

 **WARNING!** Please adhere to the precautions below when using the dishwasher:

This appliance can be used by children aged from 8 years and above and by persons with reduced physical, sensory or mental capabilities or lack of experience and knowledge if they have been given supervision or instructions concerning use of the appliance in a safe way and if they understand the hazards involved.


Children must not play with the appliance.

Cleaning and user maintenance cannot be performed by children without supervision.

If the supply cable gets damaged, have it replaced by a specialized service center in order to avoid dangerous situations. It is prohibited to use an appliance with the supply cable damaged.

Do not leave the door in the open position to prevent the risk of tripping.

When storing dishes into the dishwasher:

-  **WARNING:** Knives and other utensils with sharp points and edges must be placed in the basket with points facing downwards or stored horizontally.
- Sharp items should be placed so that they cannot damage the door gasket.

- Knives and other similar sharp items should always be placed with their handles pointing upwards so that the sharp edge would not hurt anybody.
- Do not use the dishwasher to wash plastic items that have not been labeled as dishwasher safe by the manufacturer. The presence of plastic dishes in the dishwasher causes worsening of drying process results. Please adhere to the manufacturer's recommendations regarding plastic items that have not been labeled as dishwasher safe.

This appliance is intended to be used in households and similar premises, such as

- kitchenettes in shops, offices and other workplaces;
 - agricultural facilities;
 - hotels, motels, and other accommodation facilities where appliances are used by guests;
 - bed and breakfast facilities.
- Do not sit or stand on the door and dish baskets of the dishwasher and to not use force during operation.
 - Do not place any heavy items on the appliance and do to stand on the door when it is open. The appliance might tip over towards the front.

Use only detergents and polishing agents intended to be used with automatic dishwashers. Never use soap, detergents or washing agents for manual dish washing.

Make sure to prevent children from accessing detergents and polishing agents and also open door of the dishwasher that might contain residues of the agents as they are strongly alkaline and might be very dangerous.

The appliance, the power cord or the electric outlet must not lie in, touch or be submerged in water or any other liquid to avoid electrical hazards.

If the power cord gets damaged, it must be replaced by the manufacturer, its service technician or another person with similar qualification so that safety is not jeopardized.

The appliance must not stand on the power cord.

The appliance should be connected to the water supply using a new hose, not using a hose that has already been used.

Dispose of packaging in a proper manner.

The power cord must not be excessively or dangerously bent or compressed during installation.

The controls are not to be played with.

Make sure that the openings in the bottom part of the appliance are not blocked by the carpet.

The dishwasher should be used only for the purpose it was intended for - for washing dishes.

This dishwasher is for interior use only.

PLEASE READ THOSE SAFETY PRECAUTIONS CAREFULLY AND STORE THEM FOR FUTURE REFERENCE

PART 2: INSTALLATION

Machine positioning

When positioning the machine, place it in an area where dishes can be easily loaded and unloaded. Do not put the machine in an area where the ambient temperature falls below 0 °C.

Read all warnings located on the packaging before removing the packaging and positioning the machine.

Place the machine close to a water tap and drain. Take into consideration that the connections will not be altered once the machine is in position.

Do not hold the machine by its door or panel.

Leave an adequate distance around the machine to allow ease of movement when cleaning.



CAUTION!

Ensure the water inlet and outlet hoses are not squeezed or trapped and that the machine does not stand on the electrical cable while positioning.

Adjust the feet so the machine is level and balanced. The machine should be placed on flat ground otherwise it will be unstable and the door of the machine will not close properly.

Water connection

We recommend fitting a filter to your water inlet supply in order to prevent damage to your machine due to contamination (sand, rust, etc.) from indoor plumbing. This will also help prevent yellowing and deposit formation after washing.

Note printing on the water inlet hose!

If models are marked with 25°, the water temperature may be max. 25 °C (cold water).

For all other models:

Cold water preferred; hot water max. temperature 60 °C.

Water inlet hose



WARNING!

Use the new water inlet hose supplied with your machine, do not use an old machine's hose.



WARNING!

Run water through the new hose before connecting.



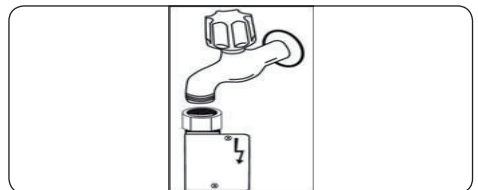
WARNING!

Connect the hose directly to the water inlet tap. The pressure supplied by the tap should be a minimum of 0.03 MPa and a maximum of 1 MPa. If the pressure exceeds 1 MPa, a pressure relief valve must be fitted between the connection.



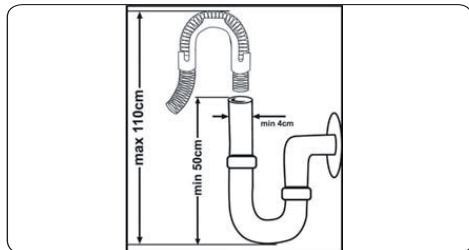
WARNING!

After the connections are made, turn the tap on fully and check for water leaks. Always turn off the water inlet tap after a wash program has finished



**CAUTION!**

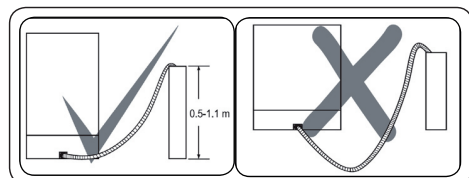
Ensure the water inlet and outlet hoses are not squeezed or trapped and that the machine does not stand on the electrical cable while positioning.

Drain Hose

Connect the water drain hose directly to water drain hole or to the sink outlet spigot. This connection should be minimum 50 cm and maximum 110 cm from floor plane.

**IMPORTANT:**

Items will not wash properly if a drain hose longer than 4 m is used.

**Electrical connection****WARNING!**

Your machine is set to operate at 220-240 V. If the mains voltage supply to your machine is 110 V, connect a transformer of 110/220 V and 3000 W between the electrical connection.



Connect the product to a grounded outlet protected by a fuse complying with the values in the "Technical Specifications" table".



The earthed plug of the machine must be connected to an earthed outlet supplied by suitable voltage and current.



In the absence of earthing installation, an authorised electrician should carry out an earthing installation. In the case of use without earthing installed, we will not be responsible for any loss of use that may occur.



The plug on this appliance may incorporate 13A fuse depending on the target country. (For Example UK, Saudi Arabia)

**Fitting the machine undercounter**

If you wish to fit your machine undercounter, there must be sufficient space to do so and the wiring-plumbing must be suitable to do so (1). If the space under the countertop is suitable for fitting your machine, remove the worktop as shown in the illustration (2).

**WARNING!**

The countertop, of which the machine will be placed under, must be stable in order to prevent imbalance. The top panel of the dishwasher must be removed to fit the machine under the countertop.

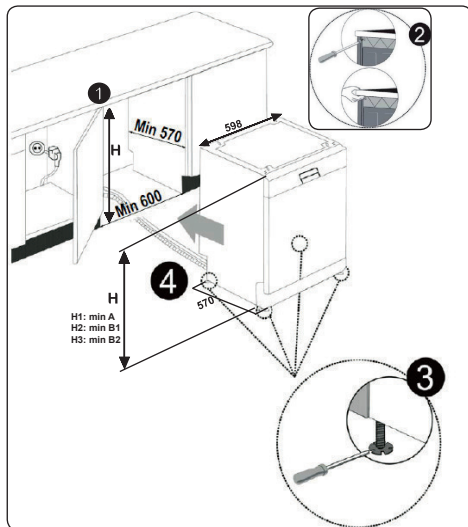
To remove the top panel, remove the screws that hold it on, located at the rear of the machine. Then, push the panel 1 cm from the front towards the rear and lift it. Adjust the machine feet according to the slope of the floor (3).

Fit your machine by pushing it under the counter taking care not to crush or bend the hoses (4).



WARNING!

After removing the top panel of your dishwasher, the machine should be placed in a space of the dimensions shown in the figure below.



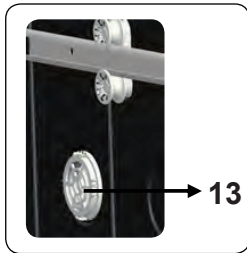
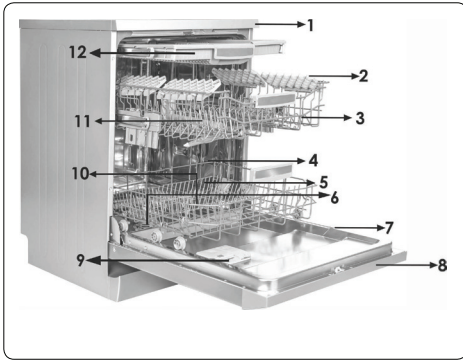
A: If there is no felt on the top of the product; you should take into account this product's height.

B1: If there is felt on the top of the product with 2nd basket; you should take into account this product's height.

B2: If there is felt on the top of the product with 3rd basket; you should take into account this product's height.

	A	B	
	All Products	B ₁	B ₂
Product's Height (±2 mm)	820 mm	830 mm	835 mm

PART 3: TECHNICAL SPECIFICATIONS



Technical specifications

Capacity	15 place settings
Dimensions (mm)	
Height	850 (mm)
Width	598 (mm)
Depth	598 (mm)
Net weight	53,600 kg
Operating voltage / frequency	220-240V / 50 Hz
Total current (A)	10 (A)
Total power (W)	1900 (W)
Water supply pressure	Maximum: 1 (Mpa) Minimum: 0.03 (Mpa)

General appearance

1. Worktop
2. Upper basket with racks
3. Upper spray arm
4. Lower basket
5. Lower spray arm
6. Filters
7. Rating plate
8. Control panel
9. Detergent and rinse-aid dispenser
10. Cutlery basket
11. Salt dispenser
12. Upper basket track latch
13. Turbo Drying Unit: This system enhances the drying performance of your dishes.

PART 4: BEFORE USING THE APPLIANCE

Preparing your dishwasher for first use

- Make sure the electricity and supply water specifications match the values indicated in the installation instructions for the machine.
- Remove all packaging material inside the machine.
- Set the water softener level.
- Fill the rinse aid compartment.

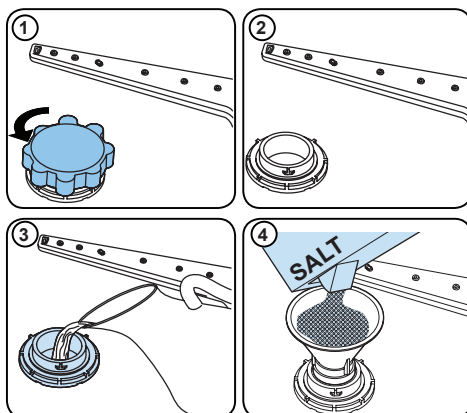
Salt usage

For a good washing function, the dishwasher needs soft, i.e. less calcareous water. Otherwise, White lime residues will remain on the dishes and the interior equipment. This will negatively affect your machine's washing, drying and shining performance. When water flows through the softener system, the ions forming the hardness are removed from the water and the water reaches the softness required to obtain the best washing result. Depending on the level of hardness of the inflowing water, these ions that harden the water accumulate rapidly inside the softener system. Therefore, the softener system has to be refreshed so that it operates with the same performance also during the next wash. For this purpose, dishwasher salt is used.

Machine can only be used by special dishwasher salt to soften the water. Do not use any small grained or powdered type of salts which can easily soluble. Using any other type of salt can damage your machine.

Fill the salt

To add softener salt, open the salt compartment cap by turning it counter clockwise. **(1) (2)** At first use, fill the compartment with 1 kg salt and water **(3)** until it is almost overflowing. If available, using a funnel **(4)** will make filling easier. Replace the cap and close it.






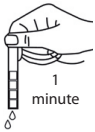
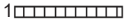





Only add water to the salt compartment on first use.

Use softener salt specifically produced for use in dishwashers.

When you start your dishwasher, the salt compartment is filled with water, therefore put the softener salt in prior to starting your machine.

If the softener salt has overflowed and you do not start the machine immediately, run a short washing program to protect your machine against corrosion.

Test Strip

Run water through the tap (1 min.)	Keep the strip in the water (1 sec)	Shake the strip.	Wait (1 min.)	Set the hardness level of your machine.
				1  2  3  4  5  6 

NOTE:

The level is set to 3 as default. If the water is well water or has a hardness level above 90 dF, we recommend that you use filter and refinement devices.

Water Hardness Table

Level	German dH	French dF	British dE	Indicator
1	0-5	0-9	0-6	L1 is seen on the display.
2	6-11	10-20	7-14	L2 is seen on the display.
3	12-17	21-30	15-21	L3 is seen on the display.
4	18-22	31-40	22-28	L4 is seen on the display.
5	23-31	41-55	29-39	L5 is seen on the display.
6	32-50	56-90	40-63	L6 is seen on the display.

Water Softener System

The dishwasher is equipped with a water softener which reduces the hardness in the mains water supply. To find out the hardness level of your tap water, contact your water company or use the test strip (if available).

Setting

- Turn the machine on by pressing the On/Off button.
- Press the Program button for at least 3 seconds immediately after the machine is turned on.
- Release the Program button when "SL" is shown. Next, the last setting level is displayed.
- Press the program button to set the desired level. Each press of the program button increases the level. Once level 6 has been reached, the next press returns the level to 1.
- The last selected water hardness level is stored in the memory by turning the machine off with the On/Off button.

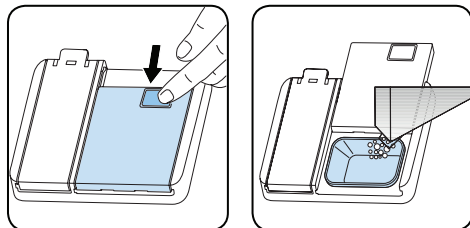
Detergent usage

Only use detergents specifically designed for domestic dishwashers. Keep your detergents in cool, dry places out of reach of children. Add the proper detergent for the selected program to ensure the best performance. The amount of detergent needed depends on the cycle, load size, and soil level of dishes. Do not fill detergent into the detergent compartment more than required; otherwise you can see whitish streaks or bluish layers on glass and dishes and may cause glass corrosion. Continued use of too much detergent may cause machine damage. Using little detergent can result in poor cleaning and you can see whitish streaks in hard water. See the detergent manufacturer's instructions for a further information.

Filling the detergent

Push the latch to open the dispenser and pour in the detergent.

Close the lid and press it until it locks in place. The dispenser should be refilled just before the start of each programme. If the dishes are heavily soiled, place additional detergent in the pre-wash detergent chamber.



Using combined detergents

These products should be used according to the manufacturer's instructions.

Never put combined detergents into the interior section or the cutlery basket.

Combined detergents contain not only the detergent but also rinse-aid, salt replacement substances and additional components depending on the combination.

We recommend you do not use combined detergents in short programmes.

Please use powder detergents in such programmes. If you encounter problems when using combined detergents, please contact the detergent manufacturer.

When you stop using combined detergents, make sure that water hardness and rinse aid settings are set to the correct level.

Rinse-aid usage

The rinse aid helps to dry the dishes without streaks and stains. Rinse-aid is required for stain-free utensils and clear glasses. The rinse aid is automatically released during the hot rinse phase. If rinse aid dosage setting set too low, whitish stains remains on dishes and dishes do not dry and washed clean.

If rinse aid dosage setting set too height, you can see bluish layers on glass and dishes.

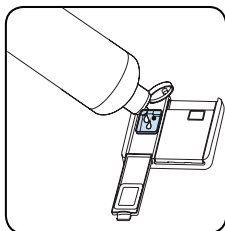
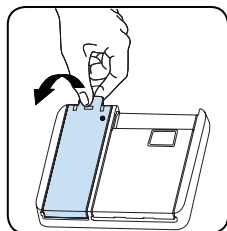
Filling the rinse-aid and setting

To fill the rinse aid compartment, open the rinse-aid compartment cap. Fill the compartment with rinse aid to the MAX level and then close the cap. Be careful not to overflow the rinse aid compartment and wipe up any spills.

In order to change the rinse aid level, follow the below steps before turning on the machine:

- Turn on the machine by pressing the On/Off button.
- Press the Programme button for at least 5 seconds immediately after the machine is turned on.
- Release the Programme button when "rA" is shown. Rinse aid level setting follows water hardness level setting. Next, the last setting level is displayed.
- Set the level by pushing the programme button.
- Switch off the machine to save the setting.
- The factory setting is "4".

If the dishes are not drying properly or are spotted, increase the level. If blue stains form on your dishes, decrease the level.



Level	Brightener Dose	Indicator
1	Rinse-aid not dispensed	r1 is shown on the display.
2	1 dose is dispensed	r2 is shown on the display.
3	2 doses are dispensed	r3 is shown on the display.
4	3 doses are dispensed	r4 is shown on the display.
5	4 doses are dispensed	r5 is shown on the display.

PART 5: LOADING YOUR DISHWASHER

For best results, follow these loading guidelines.

Loading the household dishwasher up to the capacity indicated by the manufacturer will contribute to energy and water savings.

Manual pre-rinsing of tableware items leads to increased water and energy consumption and is not recommended

You can place cups, glasses, stemware, small plates, bowls, etc. in upper basket. Do not lean long glasses against one another or they cannot remain steady and may receive damage.

When placing long stem glasses and goblets, lean them against the basket edge or rack and not against other items.

Place all containers such as cups, glasses and pots into the dishwasher with the opening facing downwards otherwise water can collect on items.

If there is cutlery basket in machine, you are recommended to use the cutlery grid in order to obtain the best result. Place all large (pots, pans, lids, plates, bowls etc.) and very dirty items in the lower rack.

Dishes and cutlery should not be placed above each other.



WARNING!

Take care not to obstruct the rotation of spray arms.



WARNING!

Make sure after loading the dishes do not prevent opening the detergent dispenser.

Recommendations

Remove any coarse residue on dishes before placing the dishes in the machine. Start the machine with full load.

NOTE:

Do not overload the drawers or place dishes in the wrong basket.

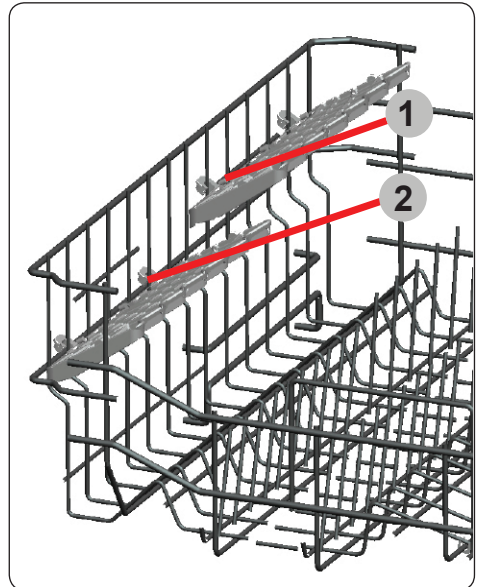


WARNING!

To avoid any possible injuries, place long-handle and sharp-pointed knives with their sharp points facing down or horizontally on the baskets.

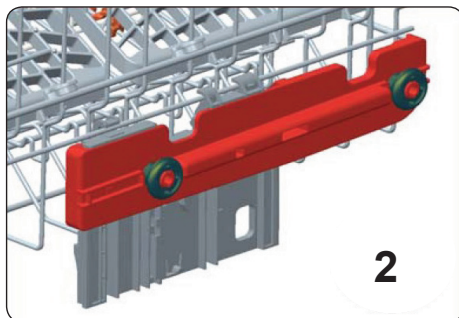
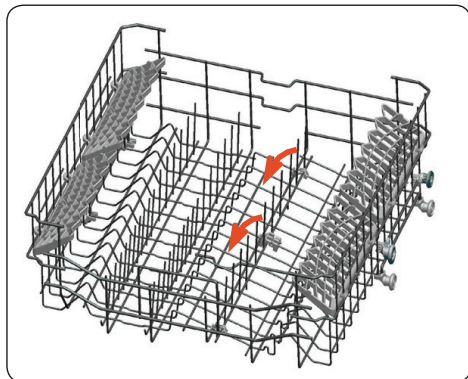
Height Adjustable Rack (peg type)

The height adjustable racks enable glasses and cups to be placed on or under the racks. The racks can be adjusted to 2 different heights. Cutlery and utensils can also be placed on the racks horizontally.



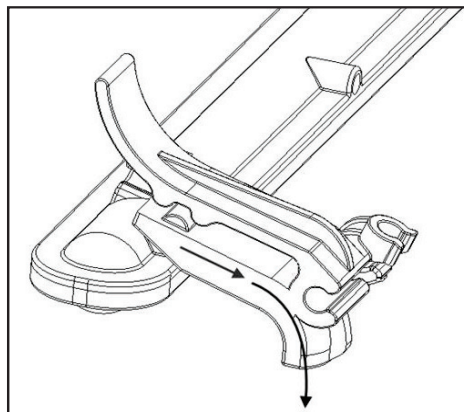
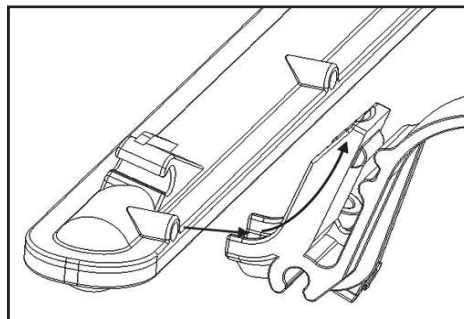
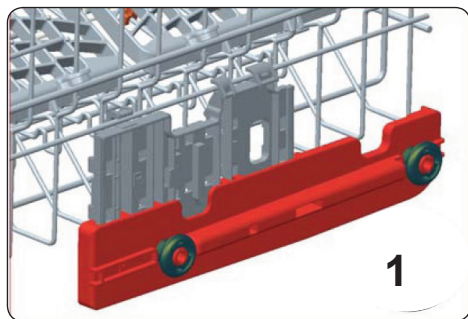
Height Adjustable Rack (peg type)

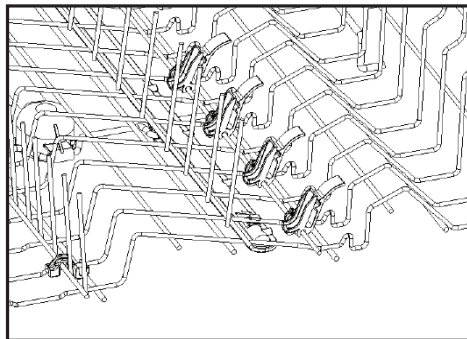
The foldable racks in the upper basket enable the placement of large items such as pots and pans. Each section can be folded separately. The foldable racks can be either raised up or folded down.



Upper Basket

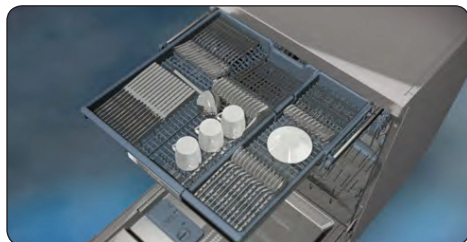
The upper basket includes a mechanism which enables the height of the basket to be adjusted up (1) or down (2) without having to remove the basket. Hold the basket on both sides and pull it up or push it down, ensuring both sides of the upper basket are in the same position.



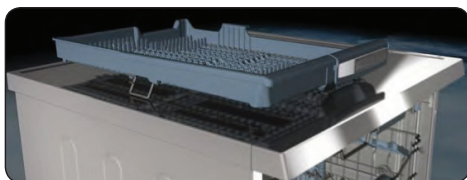


Upper Cutlery Basket


The upper cutlery basket is designed for the placement of large and small cutlery and utensils.



The basket is easily removed from the dishwasher, therefore allows ease of use when removing your items, along with the basket, after washing.

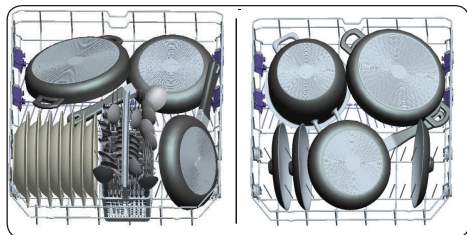


The upper cutlery basket is composed of two pieces that can be separately removed. Remove the left or right section of the cutlery basket in order to obtain more space for items in the upper basket.

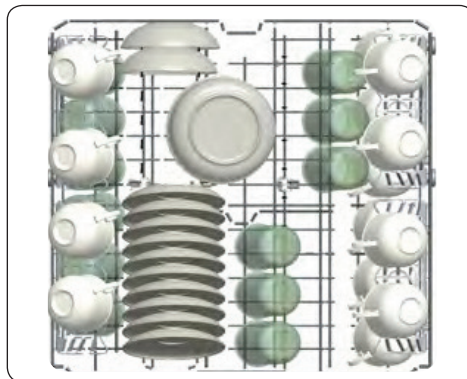
 **WARNING!** Knives and other sharp objects must be placed horizontally in the cutlery basket.

Alternative Basket Loads

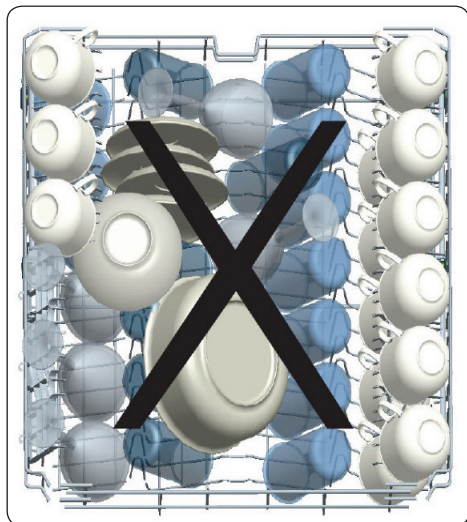
Lower Basket



Top basket

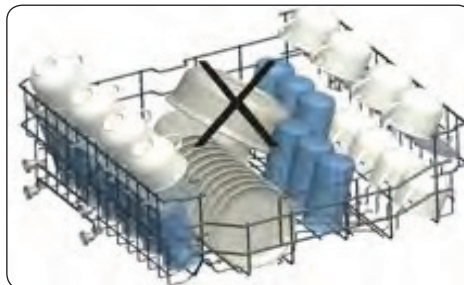
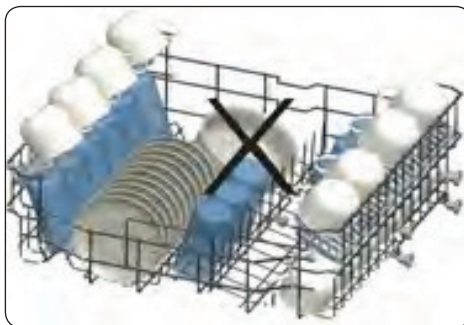
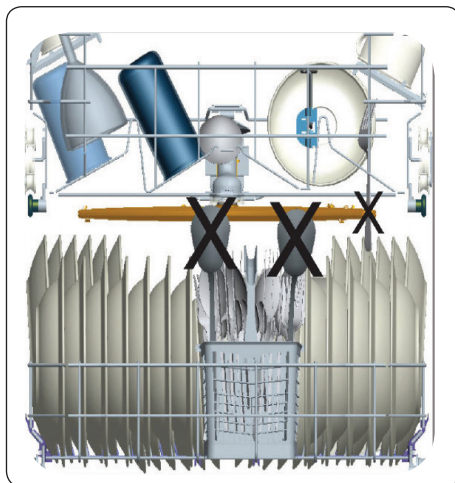


Incorrect loads



Incorrect Loads

Incorrect loading can cause poor washing and drying performance. Please follow the manufacturer's recommendations for a good performans result.



PART 6: PROGRAMME TABLE

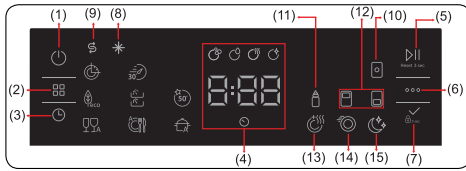
Program Name:	P1	P2	P3	P4	P5	P6	P7	P8
Type of Soil	Fastest program for lightly soiled and recently used dishes and suitable for 4 place settings.	Suitable for lightly soiled dishes and quick wash.	Standard program for normally soiled daily used dishes with reduced energy and water consumptions.	Suitable for both lightly soiled delicate glassware on upper rack and heavily soiled crockery on lower rack.	Suitable for normally soiled daily dishes with faster program.	Auto program for normally soiled delicate dishes.	Auto program for normally soiled dishes.	Auto program for heavily soiled dishes.
Level of Soil:	Light	Light	Medium	Heavy	Medium	Medium	Medium	Heavy
Amount of Detergent: A: 25 cm ³ B: 15 cm ³	B	A	A	A	A	A	A	A
Program Duration (h:min)	00:14	00:30	04:30	01:53	00:50	01:12 - 01:31	01:47 - 02:02	01:49 - 02:59
Electricity consumption (kWh/cycle)	0.340	0.650	0.861	1.600	1.000	0.650 - 0.850	1.050 - 1.325	1.250 - 1.900
Water consumption (l/cycle)	6.6	10.9	9.0	15.4	9.5	10.6 - 17.7	10.9 - 18.5	11.8 - 24.0

- The program duration may change according to the amount of dishes, the water temperature, the ambient temperature and selected additional functions.
- Values given for programmes other than the eco programme are indicative only.
- Eco programme is suitable to clean normally soiled tableware, that for this use, it is the most efficient programme in terms of its combined energy and water consumption, and that it is used to assess compliance with the EU ecodesign legislation.
- Washing tableware in a household dishwasher usually consumes less energy and water in the use phase than hand dishwashing when the household dishwasher is used according to the manufacturer's instructions.
- Only use powder detergent for short programs.
- Short programs do not include drying.
- To assist drying, we recommend slightly opening the door after a cycle is complete.
- You can access the product database where the model information is stored by reading the QR code on the energy label.

NOTE:

According to regulations 1016/2010 and 1059/2010, Eco program energy consumption values may differ. This table is in line with regulations 2019/2022 and 2017/2022.

PART 7: THE CONTROL PANEL



1. On/Off button
2. Program Selection Button
3. Delay Button
4. Remaining Time Indicator
5. Start/Pause Button
6. Options Button
7. Select Button
8. Rinse Aid Indicator
9. Salt Indicator
10. Tablet Option Indicator
11. Extra Hygiene Option Indicator
12. Half Load Option Indicators
13. Extra Dry Option Indicator
14. Extra Fast Option Indicator
15. Extra Silent Option Indicator

1. On/Off Button

Switch the machine on by pressing the On/ Off button. The On/Off lamp lights as long as the machine is on.

2. Program Selection Button

Select a suitable programme by pressing the Programme button.

3. Delay Button

You can delay the start time of the programme for 1-2...24 hours by pressing the delay button (3) before the programme starts.

If you want to change the delay time, first press the Start/Pause button and then the delay button to select a new delay time. To activate the new delay time, press the

Start/Pause button. To cancel the delay, you need to switch to 0 hour by using the delay when the machine is paused.

4. Remaining Time Indicator

Programme flow can be monitored via the Wash, Rinse, Dry, End lamps and Remaining Time Indicator. While the Dry lamp is on, the machine remains silent for about 15-50 minutes with respect to the flow of the programme you have selected.

5. Start/Pause Button

Press the Start/Pause button to start the programme. The wash lamp turns on and the Remaining Time Indicator shows the programme duration. It also indicates the remaining time during the programme flow. If you open the door of your machine when the programme is running, the duration of the programme pauses, and the Start/Pause led blinks.

6. Options Button

Options can be selected by pressing the Options button repeatedly. The chosen option will be indicated by a blinking LED.

7. Select Button

Select the option by pressing the Select button. The LED for the chosen option will then remain lit.

8. Rinse Aid Indicator

When the rinse aid level is low, the rinse aid lack warning indicator turns on and you should fill the rinse aid chamber.

9. Salt Indicator

When there is insufficient softening salt, the salt lack warning indicator turns on and you should fill up the salt chamber.

10. Tablet Option Indicator

Select the Tablet option when using combined detergent that contains salt, rinse aid and extra functions.

11. Extra Hygiene Option Indicator

You may select Extra Hygiene option in order to obtain a more hygienic and a cleaner washing process by altering the water temperature and washing time of the programme you have selected.

12. Half Load Option Indicator

By selecting the half load option ,three sorts of washing can be executed: both baskets, upper basket and lower basket. These options are ideal for smaller loads, allowing the dishwasher to perform smaller washes with reduced consumption.

13. Extra Dry Option Indicator

If you select Extra Dry option, extra heating and drying steps will be added into the selected programme,so your dishes will be dried more thoroughly.

14. Extra Fast Option Indicator

Select the Extra Fast option to decrease the duration of a programme, providing more economical water usage.

15. Extra Silent Option Indicator

Select the Extra Silent option for a more sensitive and silent washing operation. This option reduces the sound pressure level of the washing.

NOTE:

If an extra option has been used on the most recent wash programme, this option will remain active on the newly selected programme until the machine turns off. To cancel this option on the newly selected wash programme, press the Option button (6) until the light on the button switches off.

NOTE:

Child lock is activated/deactivated by pressing the select button (7) for about 3 seconds. When it is activated, all leds blink and "CL" is shown on the Remaining time indicator (4).

NOTE:

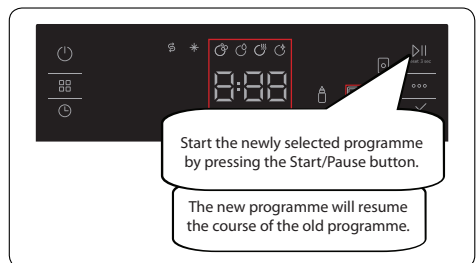
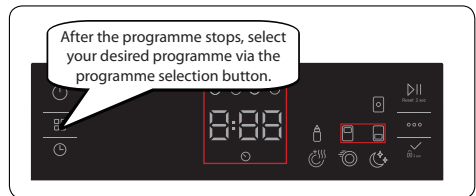
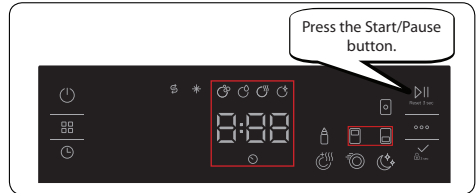
To save any program as favourite program, press Programs (2) and Delay (3) buttons together . To select favourite program, press and hold Programs button (2) for 3 sec.

NOTE:

If you switch the machine to off position after selecting the delay time and the programme has started, the delayed time is cancelled.

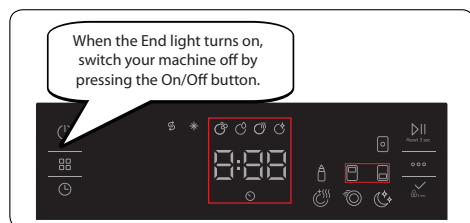
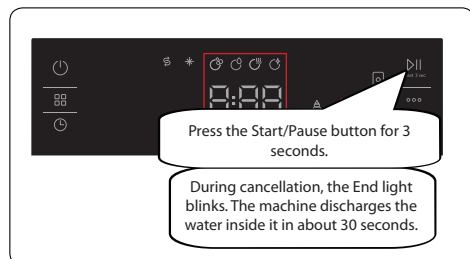
Changing a programme

If you would like to change the programme when the machine is already running.

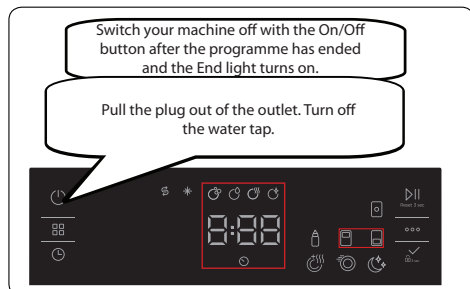


Cancelling a programme

If you would like to cancel a programme when it is running.



Switching the Machine Off



NOTE:

Do not open the door before the programme ends.

NOTE:

At the end of washing programme, you can leave the door of your machine ajar to hasten the drying.

NOTE:

If the door of machine is opened or power is cut off during washing, the programme will continue when the door is closed or the power is restored.

Save Power Mode

To activate or deactivate save power mode, follow the below steps:

1. Open the door and press Program (2) and Option (6) buttons simultaneously for 3 seconds.
2. After 3 seconds, the machine will display last Setting, "IL1" or "ILO".
3. When Save Power Mode is activated, "IL1" will be displayed. On this mode, interior lights will turn off 4 minutes after the door is opened, and the machine will turn off after 15 minutes of no activity in order to save energy.
4. When Save Power Mode is deactivated "ILO" will be displayed. If Save Power Mode is deactive, interior lights will be on as long as the door is open, and the machine will always be on unless it is turned off by user.
5. To save the selected setting, turn off the machine. In factory setting, Save Power Mode is active.

PART 8: CLEANING AND MAINTENANCE

Cleaning your dishwasher is important to maintain the machine's service life

Make sure that the water softening setting (if available) is done correctly and correct amount of detergent is used to prevent limescale accumulation. Refill the salt compartment when the salt sensor light comes on.

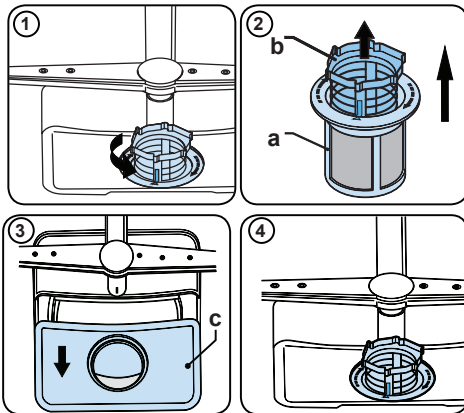
Oil and limescale may build up in your Dishwasher over time. If this occurs:

- Fill the detergent compartment but do not load any dishes. Select a programme which runs at high temperature and run the Dishwasher empty. If this does not clean your Dishwasher sufficiently, use a cleaning agent designed for use with dishwashers.
- To extend the life of your dishwasher, clean the appliance regularly on each month
- Wipe the door seals regularly with a damp cloth to remove any accumulated residue or foreign objects.

Filters

Clean the filters and spray arms at least once a week. If any food waste remains or foreign objects on the coarse and fine filters, remove them and clean them thoroughly with water.

- a) Micro Filter b) Coarse Filter
c) Metal Filter

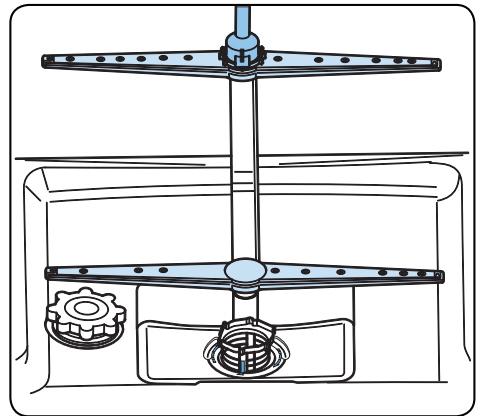


To remove and clean the filter combination, turn it counter clockwise and remove it by lifting it upwards **(1)**. Pull the coarse filter out of the micro filter **(2)**. Then pull and remove the metal filter **(3)**. Rinse the filter with lots of water until it is free of residue. Reassemble the filters. Replace the filter insert, and rotate it clockwise **(4)**.

- Never use your dishwasher without a filter.
- Incorrect fitting of the filter will reduce the washing effectiveness.
- Clean filters are necessary for proper running of the machine.

Spray arms

Make sure that the spray holes are not clogged and that no food waste or foreign object is stuck to the spray arms. If there is any clogging, remove the spray arms and clean them under water. To remove the upper spray arm undo the nut holding it in position by turning it clockwise and pulling it downwards. Make sure that the nut is properly tightened when refitting the upper spray arm.



Drain Pump

Large food residues or foreign objects which were not captured by the filters may block the waste water pump. The rinsing water will then be above the filter.

Warning Risk of cuts!

When cleaning the waste water pump, ensure that you do not injure yourself on pieces of broken glass or pointed implements.

In this case:

1. First always disconnect the appliance from the power supply.
2. Take out baskets.
3. Remove the filters.
4. Scoop out water, use a sponge if required.
5. Check the area and remove any foreign objects.
6. Install filters.
7. Re-insert baskets.

PART 9: TROUBLESHOOTING

FAULT	POSSIBLE CAUSE	TROUBLESHOOTING
The programme does not start.	Your Dishwasher is not plugged in.	Plug your Dishwasher in.
	Your Dishwasher is not switched on.	Switch your Dishwasher on by pressing the On/Off button.
	Fuse blown.	Check your indoor fuses.
	Water inlet tap is closed.	Turn on the water inlet tap.
	Your Dishwasher door is open.	Close the Dishwasher door.
	Water inlet hose and machine filters are clogged.	Check the water inlet hose and machine filters and make sure they are not clogged.
Water remains inside the machine.	Water drain hose is clogged or twisted.	Check the drain hose, then either clean or untwist it.
	The filters are clogged.	Clean the filters.
	The programme is not finished yet.	Wait until the programme is finished.
Machine stops during washing.	Power failure.	Check mains power.
	Water inlet failure.	Check water tap.
Shaking and hitting noises are heard during a wash operation.	The spray arm is hitting the dishes in the lower basket.	Move or remove items blocking the spray arm.
Partial food wastes remain on the dishes.	Dishes placed incorrectly, sprayed water not reaching affected dishes.	Do not overload baskets.
	Dishes leaning each another.	Place dishes as instructed in the section on loading your dishwasher.
	Not enough detergent used.	Use the correct amount of detergent, as instructed in the programme table.
	Wrong wash programme selected.	Use the information in the programme table to select the most appropriate programme.
	Spray arms clogged with food waste.	Clean the holes in the spray arms with thin objects.
	Filters or water drain pump clogged or filter misplaced.	Check the drain hose and filters are correctly fitted.

FAULT	POSSIBLE CAUSE	TROUBLESHOOTING
Whitish stains remains on dishes.	Not enough detergent used.	Use the correct amount of detergent, as instructed in the programme table.
	Rinse aid dosage and/or water softener setting set too low.	Increase rinse aid and/or water softener level.
	High water hardness level.	Increase water softener level and add salt.
	Salt compartment cap not closed properly.	Check that the salt compartment cap is closed properly.
Dishes do not dry	Drying option is not selected.	Select a programme with a drying option.
	Rinse aid dosage set too low.	Increase rinse aid dosage setting.
Rust stains form on the dishes.	Stainless-steel quality of the dishes is insufficient.	Use only dishwasher-proof sets.
	High level of salt in wash water.	Adjust the water hardness level using water hardness table.
	Salt compartment cap not closed properly.	Check that the salt compartment cap is closed properly.
	Too much salt spilled in the Dishwasher while filling it with salt.	Use funnel while filling salt to the compartment to avoid spillage.
	A poor mains grounding.	Consult a qualified electrician immediately.
Detergent remains in the detergent compartment.	Detergent was added when the detergent compartment was wet.	Make sure detergent compartment is dry before use.

AUTOMATIC FAULT WARNINGS AND WHAT TO DO

TROUBLE CODE	POSSIBLE FAULT	WHAT TO DO
F5	Insufficient water	Make sure the water inlet tap is open and water is flowing.
		Separate the inlet hose from the tap and clean the filter of the hose.
		Contact service if the error continues.
F3	Continuous water input	Close the tap and contact service.
F2	Inability to discharge water	Water discharge hose and filters may be clogged.
		Cancel the program.
		If the error continues, contact service.
F8	Heater error	Contact service.
F1	Overflow	Unplug the machine and close the tap.
		Contact service.
FE	Faulty electronic card	Contact service.
F7	Overheating	Contact service.
F6	Faulty heater sensor	Contact service.

The installation and repairing procedures should always be carried out by the Authorised Service Agent in order to avoid possible risks. The manufacturer shall not be held liable for damages that may arise from procedures carried out by unauthorised persons. Repairs may be carried out by technicians only. If a component has to be replaced, ensure that only original spare parts are used.

Improper repairs or use of non-original spare parts may cause considerable damage and put the user at considerable risk.

Contact information for your customer service can be found on the back of this document.

Function-relevant genuine spare parts according to the corresponding Ecodesign order can be obtained from Customer Service for a period of at least 10 years from the date on which your appliance was placed on the market within the European Economic Area.

PART 10: PRODUCT INFORMATION SHEET

Product Information Sheet

PHILCO 

COMMISSION DELEGATED REGULATION (EU) 2019/2016

Supplier's name or trademark: PHILCO

Supplier's address: U Sanitasu 1621, Říčany 251 01, CZ

Model identifier: PDI 1568 DLT / PDI 1568 DLTDX

General product parameters: Dishwasher

Parameter	Value	Parameter	Value	
Rated capacity (kg)	15	Dimensions in cm	Height	85
			Width	60
			Depth	60
EEI _w	49.9	Energy efficiency class *	D	
Cleaning performance index	1.13	Drying performance index	1.07	
Energy consumption in kWh [per cycle], based on the eco programme using cold water fill. Actual energy consumption will depend on how the appliance is used.	0.861	Water consumption in litres [per cycle], based on the eco programme. Actual water consumption will depend on how the appliance is used and on the hardness of the water.	9	
Programme duration (h:min)	4:30	Type	Free-standing	
Airborne acoustical noise emissions (dB(A) re 1 pW)	39	Airborne acoustical noise emission class	B	
Off-mode (W)	0.5	Standby mode (W)	1	
Delay start (W) (if applicable)	1	Networked standby (W) (if applicable)	-	

Minimum duration of the guarantee offered by the supplier: 24 months

Additional information:

Weblink to the supplier's website, where the information in point 6 of Annex II to Commission Regulation (EU) 2019/2022 is found: www.philco.cz

* A (highest efficiency) to G (lowest efficiency)

TECHNICAL INFORMATION

Technical information can be found on the type plate on the inside of the appliance and on the energy label. The QR code, on the supplied energy label, contains a link to register the appliance in the EU Eprel database. Keep the energy label, the instructions for use, together with other documents supplied with the device.

TESTING INFORMATION

The delivered device is in accordance with EcoDesign and EN60436:2020. Air access requirements for proper operation of the device, the minimum distance from the wall and the dimensions of the device are part of this manual. If you have any further questions, please contact the manufacturer.

CUSTOMER CARE AND SERVICE

Always use original spare parts.

Model name and serial number can be found on the rating plate. Position of rating plate can be changed without notice.

The original spare parts for some specific components are available for a minimum of 7 or 10 years, based on the type of component, from the placing on the market of the last unit of the model.

When contacting our authorized service, have the model designation, serial number and defect description available.

To download documents, visit www.philco.cz.

To report a defect and obtain additional service information, visit <https://philco.cz/podpora-a-servis>.

Subject to change without notice.

INSTRUCTIONS AND INFORMATION REGARDING THE DISPOSAL OF USED PACKAGING MATERIALS

Dispose of packaging material at a public waste disposal site.

DISPOSAL OF USED ELECTRICAL AND ELECTRONIC APPLIANCES



The meaning of the symbol on the product, its accessory or packaging indicates that this product shall not be treated as household waste. Please, dispose of this product at your applicable collection point for the recycling of electrical & electronic equipment waste. Alternatively in some states of the European Union or other European states you may return your products to your local retailer when buying an equivalent new product. The correct disposal of this product will help save valuable natural resources and help in preventing the potential negative impact on the environment and human health, which could be caused as a result of improper liquidation of waste. Please ask your local authorities or the nearest waste collection centre for further details. The improper disposal of this type of waste may fall subject to national regulations for fines.

For business entities in the European Union

If you wish to dispose of an electrical or electronic device, request the necessary information from your seller or supplier.

Disposal in other countries outside the European Union

If you wish to dispose of this product, request the necessary information about the correct disposal method from local government departments or from your seller.



This product meets all the basic EU regulation requirements that relate to it.

Changes to the text, design and technical specifications may occur without prior notice and we reserve the right to make these changes.

Original of this user manual is in czech language.

Myčka nádobí

NÁVOD K OBSLUZE

PHILCO



Famous for Quality the World Over


PDI 1568 DLT
PDI 1568 DLTDX

**Vážený zákazníku,
děkujeme, že jste si zakoupil výrobek značky PHILCO. Aby mohl váš spotřebič sloužit dobře, přečtěte si
všechny pokyny uvedené v tomto návodu k obsluze.**

OBSAH

ČÁST 1: BEZPEČNOSTNÍ POKYNY	2
ČÁST 2: INSTALACE SPOTŘEBIČE	5
ČÁST 3: TECHNICKÉ ÚDAJE	8
ČÁST 4: PŘED POUŽITÍM SPOTŘEBIČE	9
ČÁST 5: PLNĚNÍ MYČKY NÁDOBÍ	13
ČÁST 6: POPIS PROGRAMU	17
ČÁST 7: OVLÁDACÍ PANEL	19
ČÁST 8: ČIŠTĚNÍ A ÚDRŽBA	22
ČÁST 10: INFORMAČNÍ LIST	25

ČÁST 1: BEZPEČNOSTNÍ POKYNY

 **VAROVÁNÍ!** Při použití myčky dodržujte níže uvedená upozornění:

Tento spotřebič mohou používat děti ve věku 8 let a starší a osoby se sníženými fyzickými, smyslovými nebo mentálními schopnostmi nebo s nedostatkem zkušeností a znalostí, pokud jsou pod dozorem nebo byly poučeny o používání spotřebiče bezpečným způsobem a rozumí případným nebezpečím.

Děti si se spotřebičem nesmějí hrát.


Čištění a údržbu prováděnou uživatelem nesmějí provádět děti bez dozoru.

Pokud je přívodní kabel poškozen, jeho výměnu svěřte odbornému servisnímu středisku, aby se zabránilo vzniku nebezpečné situace.

Spotřebič s poškozeným přívodním kabelem je zakázáno používat.

Dvířka by neměla zůstat v otevřené poloze, protože jinak hrozí nebezpečí zakopnutí.

Při ukládání nádobí do myčky:

-  **VÝSTRAHA:** Nože a další nádobí s ostrými hroty a ostřím musíte vložit do koše špičkami směrem dolů nebo uložit do vodorovné polohy.
- Ostré předměty ukládejte tak, aby nemohly poškodit těsnění dvířek.

- Nože nebo podobné ostré předměty vždy vkládejte rukojetí nahoru, aby se o ostří někdo neporanil.
- Nemyjte v myčce plastové předměty, pokud nejsou výrobcem označeny jako vhodné do myčky nádobí. Přítomnost plastového nádobí v myčce má za následek horší výsledek procesu sušení. U plastových předmětů, které nejsou označeny jako vhodné do myčky nádobí, dodržujte doporučení jejich výrobce.

Tento spotřebič je určen pro použití v domácnosti a podobných prostorech, jako jsou:

- kuchyňské kouty v obchodech, kancelářích a ostatních pracovištích;
 - v zemědělství;
 - hosty v hotelích, motelech a jiných obytných prostředích;
 - v podnicích zajišťujících nocleh se snídaní.
- Na dvířka a koše na nádobí myčky si nesedejte, nestoupejte na ně a při obsluze nepoužívejte násilí.
 - Nestavte na spotřebič žádné těžké předměty a nestoupejte si na otevřená dvířka. Spotřebič by se mohl převrátit dopředu.

Používejte pouze mycí a lešticí prostředky určené do automatické myčky. Nikdy nepoužívejte mýdlo, prací prostředky ani mycí prostředky na nádobí pro ruční mytí.

Dětem zabraňte v přístupu k mycím a lešticím prostředkům a rovněž k otevřeným dvířkům myčky, protože by uvnitř mohly být zbytky prostředků, které jsou silně alkalické a mohou být velmi nebezpečné.

Spotřebič, přívodní kabel nebo zástrčka nesmí ležet, dotýkat se či být ponořen do vody či jiné kapaliny, aby nedošlo k úrazu elektrickým proudem. Pokud je napájecí kabel poškozený, musí být vyměněn výrobcem, jeho servisním technikem nebo podobně kvalifikovanou osobou, aby nebyla ohrožena bezpečnost. Spotřebič nesmí stát na přívodním kabelu. Spotřebič připojte k přívodu vody pomocí nové hadice a nikoliv hadice dříve používané. Obalové materiály zlikvidujte řádným způsobem.

Během instalace nesmí být napájecí kabel nadměrně nebo nebezpečně ohýbán nebo stlačován.

Ovládací prvky nejsou na hraní. Ujistěte se, že koberec neblokuje otvory v dolní části spotřebiče. Myčku používejte pouze pro účely, pro které je určena, tedy pro mytí nádobí. Tato myčka je určena pouze pro použití v interiéru.

PEČLIVĚ SI PŘEČTĚTE A DODRŽUJTE TYTO BEZPEČNOSTNÍ POKYNY A USCHOVEJTE SI JE PRO POZDĚJŠÍ POUŽITÍ.

ČÁST 2: INSTALACE SPOTŘEBIČE

Umístění spotřebiče

Místo, kde se spotřebič bude nacházet, musí být dobře přístupné. Po instalaci musí být možné snadno vkládat nádobí do spotřebiče a vyjímat je z něj.

Spotřebič neumísťujte na tam, kde je pravděpodobné, že pokojová teplota klesne pod 0 °C.

Před umístěním vyjměte spotřebič z obalu, dodržujte přitom upozornění na obalu. Spotřebič umístěte do blízkosti přívodu a odtoku vody. Při umísťování spotřebiče musíte vzít v úvahu, že jeho zapojení nebude po instalaci možné změnit. Při přemísťování nedržte spotřebič za dvířka ani panel.

Kolem spotřebiče se musí nacházet dostatek prostoru, aby bylo možné spotřebič při čištění pohodlně vysunout a opět zasunout.

Zkontrolujte, zda během instalace spotřebiče nedošlo k zachycení hadic pro přívod a odtok vody. Rovněž se ujistěte, že spotřebič nestojí na elektrickém kabelu. Nastavte vyrovnávací nožičky spotřebiče tak, aby byl vyvážený a vyrovnaný. Správné umístění spotřebiče zajistí bezproblémové otevírání a zavírání dvířek. Pokud se dvířka spotřebiče správně nedovírají, zkontrolujte, zda se spotřebič nachází na rovném povrchu. Pokud tomu tak není, nastavte nožičky a ujistěte se, že je pozice spotřebiče stabilní.

Připojení vody

Rozvody vody musí být vhodné pro instalaci myčky nádobí. Rovněž vám doporučujeme, abyste na vstupu vody nainstalovali filtr a přešli tak poškozování spotřebiče z důvodu kontaminace nečistotami (písek, hlína, rez atd.), které se mohou nacházet ve vodovodním potrubí nebo v domácích rozvodech vody. Předjedete tak zežloutnutí nádobí a hromadění nečistot ve spotřebiči po dokončení mycího cyklu.

Hadice pro přívod vody



VAROVÁNÍ!

Nepoužívejte hadici pro přívod vody ze starého spotřebiče. Použijte novou hadici, která je dodaná společně s Vaším spotřebičem.



VAROVÁNÍ!

Pokud ke spotřebiči připojíte novou hadici, nechte jí chvíli před zapojením protékat vodu.



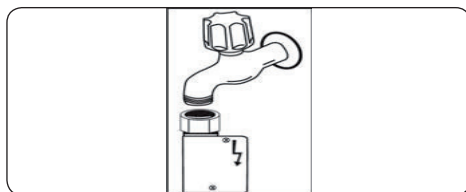
VAROVÁNÍ!

Hadici pro přívod vody připojte přímo ke kohoutku. Tlak přívodu vody musí být minimálně 0,03 Mpa a maximálně 1 Mpa. Je-li tlak vody vyšší než 1 Mpa, je třeba nainstalovat pojistný ventil.



VAROVÁNÍ!

Po provedení zapojení je třeba kohoutek plně otevřít a zkontrolovat, zda z něj neuniká voda. Z bezpečnostních důvodů zavřete přívod vody po dokončení každého programu.

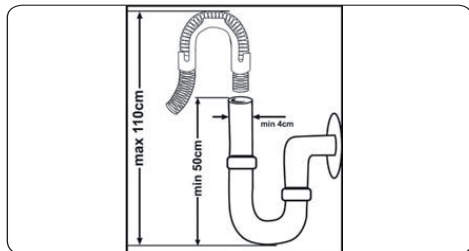




UPOZORNĚNÍ!

V některých modelech je použito zařízení Aquastop. V případě použití zařízení Aquastop může dojít k nebezpečnému pnutí. Výtokový otvor neprořezávejte. Nedovolte, aby se toto zařízení ohnulo.

Hadice pro vypouštění vody

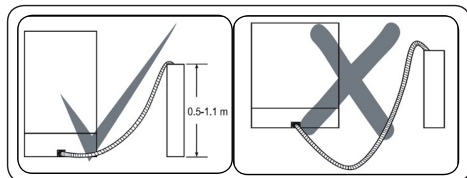


Hadici pro vypouštění vody lze zapojit buď přímo do odtoku vody nebo do sifonu. Pomocí speciální hadice (je-li k dispozici) lze vodu vypouštět přímo do umyvadla tak, že hadici zaháknete přes okraj umyvadla. Toto připojení musí být 50-110 cm nad úroveň podlahy.



DŮLEŽITÉ:

Je-li použita hadice delší než 4 m, myčka nemusí pracovat správně. V takovém případě naše společnost nenesе žádnou zodpovědnost za nekvalitní výsledek mytí.



Elektrické zapojení



VAROVÁNÍ!

Uzemněná zástrčka Vašeho spotřebiče musí být zapojena do uzemněné zásuvky vhodného napětí. V případě, že není provedeno žádné uzemnění, nechte je provést kvalifikovaným elektrikářem. V případě použití spotřebiče bez uzemnění nebude naše společnost zodpovídat za problémy, ke kterým může dojít.



Zástrčka tohoto spotřebiče může obsahovat pojistku 13 A v závislosti na zemi. (Například: Velká Británie, Saúdská Arábie)



Váš spotřebič je nastaven na 220 - 240 V. Je-li napětí ve vaší zemi 110 V, zapojte transformátor 110/220 V a 3000 W. Spotřebič nesmí být během manipulace zapojen. Vždy použijte zástrčku dodanou Vaším spotřebičem.



Spuštění při nízkém napětí způsobí zhoršení kvality mytí.



Výměna elektrického kabelu musí být provedena autorizovaným servisem nebo autorizovaným technikem. Nedodržení může vést k nehodám.



Z bezpečnostních důvodů spotřebič odpojte vždy po dokončení programu mytí. Aby nedošlo k úrazu elektrickým proudem, odpojení neprovádějte, máte-li mokré ruce. Když odpojete spotřebič od sítě, nikdy netahejte za kabel, ale za zástrčku



Montáž spotřebiče

Pokud si přejete provést montáž spotřebiče do kuchyňské linky, zajistěte, abyste měli dostatek prostoru, a ověřte si, zda máte k tomu vhodné rozvody. (1) Pokud dojdete k závěru, že je prostor v kuchyňské lince vhodný k montáži spotřebiče, sejměte horní desku myčky tak, jak je znázorněno na obrázku. (2)

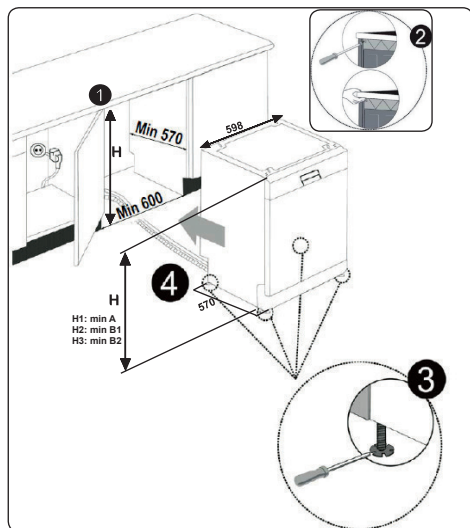


VAROVÁNÍ!

Pracovní deska, pod kterou bude myčka umístěna, musí být pevná a rovná, aby se zabránilo nevyváženosti a nestabilitě spotřebiče.

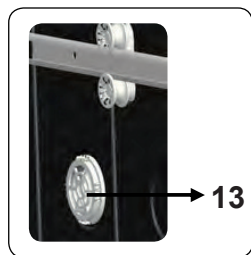
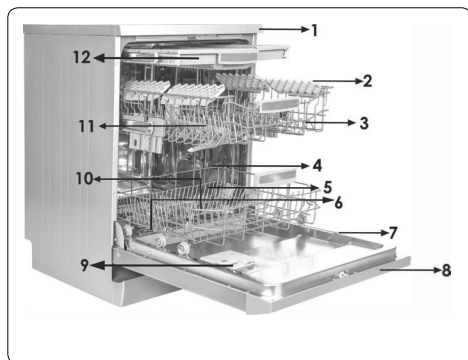
Abyste mohli horní desku myčky sejmout, odstraňte šrouby, které desku drží a nachází se v zadní části spotřebiče; potom zatlačte přední panel 1 cm od přední strany dozadu a zdvihněte jej.

Nožičky spotřebiče nastavte podle sklonu podlahy.
(3) Spotřebič zasuňte do linky a dbejte na to, aby nedošlo k přimáčknutí nebo ohnutí hadic. **(4)**



	A	B	
	Všechny produkty	B ₁	B ₂
Výška	820 mm	830 mm	835 mm

ČÁST 3: TECHNICKÉ ÚDAJE



1. Pracovní plocha
2. Horný koš s rošty
3. Horní rameno s tryskami
4. Spodní košík
5. Spodní rameno s tryskami
6. Filtre
7. Štítek s údaji
8. Ovládací panel
9. Příhrádka na čisticí prostředek a leštadlo
10. Košík na nože
11. Příhrádka na sůl
12. Zápádka horního košíku
13. Turbo sušící jednotka: Tento systém nabízí lepší sušící výkon.

TECHNICKÉ ÚDAJE

Kapacita	15 míst
Rozměry (mm)	
Výška	850 (mm)
Šířka	598 (mm)
Hloubka	598 (mm)
Čistá hmotnost	53,600 kg
Napájení	220 - 240 V / 50 Hz
Celkový výkon	1900 W
Topný výkon	1800 W
Výkon čerpadla	100 W
Čerpací výkon čerpadla	30 W
Tlak vody	Maximum: 1 Mpa Minimum: 0,03 Mpa
Napětí	10 (A)

Prohlášení o shodě a údaje o testech

Označení CE upozorňuje na to, že tento výrobek vyhovuje všem příslušným směrnici EU a splňuje požadované standardy. Elektronickou kopii tohoto návodu k obsluze naleznete na webových stránkách výrobce.

ČÁST 4: PŘED POUŽITÍM SPOTŘEBIČE

Příprava myčky na první použití

- Ujistěte se, že rozvody vody a elektřiny odpovídají hodnotám uvedeným v pokynech k instalaci spotřebiče.
- Sejměte všechny obaly z vnitřní části spotřebiče.
- Nastavte úroveň změkčení vody.
- Naplňte nádržku na leštidlo.

Použití soli

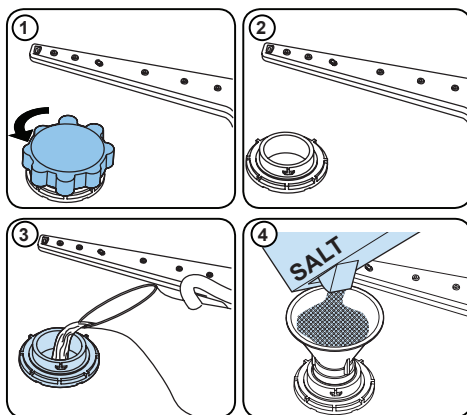
Abyste dosáhli dobrého výsledku, myčka potřebuje měkkou, méně vápenitou vodu. V opačném případě zůstanou na nádobí a uvnitř myčky zbytky vodního kamene. To negativně ovlivní mycí, sušicí a lešticí výkon Vaší myčky. Když voda protéká změkčovacím systémem, jsou ionty tvořící tvrdost odstraněny z vody a voda dosáhne měkkosti potřebné k dosažení nejlepšího výsledku mytí.

V závislosti na stupni tvrdosti přírodní vody se tyto ionty, které rychle tvrdnou, rychle hromadí uvnitř změkčovacího systému. Systém změkčování vody je třeba vyměňovat, aby zajistil stejnou výkonnost i během dalšího mytí. K tomu se používá sůl do myčky nádobí.

Do myčky lze použít pouze speciální sůl do myčky nádobí určenou ke změkčení vody. Nepoužívejte žádné soli s malými zrnky nebo práškové soli, které by se snadno rozpustily. Použití jiného typu soli může spotřebič poškodit.

Plnění přihrádky solí

Chcete-li přidat změkčovacím sůl, otevřete víčko přihrádky na sůl otočením proti směru hodinových ručiček. (1) (2) Při prvním použití naplňte přihrádku 1 kg soli a vody (3), dokud téměř nepřeteče. Pokud je to možné, použítí nálevky (4) usnadní plnění. Nasadte a zavřete víčko.





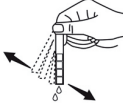

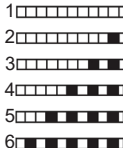
Přihrádku na sůl naplňte vodou pouze při prvním použití.

Používejte změkčovacím sůl speciálně vyrobenou pro použití v myčkách nádobí.

Když myčku spustíte, přihrádku na sůl se naplní vodou, proto do ní přidejte změkčovacím sůl před spuštěním myčky.

Pokud změkčovacím sůl přetekla a stroj ihned nespustíte, spustíte krátký mycí program, abyste pračku ochránili před korozi.

Testovací proužek

Vodu z kohoutku nechte odtékat (1 min)	Proužek ponořte do vody na 1 sekundu	Protřepte proužek.	Počkejte (1 min)	Nastavte úroveň tvrdosti vody.
				

POZNÁMKA:

Výchozí úroveň je 3. Pokud je voda ze studny nebo má úroveň tvrdosti nad 90 dF, doporučujeme použít filtrační a čisticí zařízení.

Tabulka tvrdosti vody

Úroveň	Německé značení dH	Francouzské značení dF	Britské značení dE	Kontrolka
1	0-5	0-9	0-6	Na displeji se zobrazí L1.
2	6-11	10-20	7-14	Na displeji se zobrazí L2.
3	12-17	21-30	15-21	Na displeji se zobrazí L3.
4	18-22	31-40	22-28	Na displeji se zobrazí L4.
5	23-31	41-55	29-39	Na displeji se zobrazí L5.
6	32-50	56-90	40-63	Na displeji se zobrazí L6.

Systém změkčování vody

Myčka je vybavena systémem na změkčování vody, který snižuje tvrdost vstupní vody. Chcete-li zjistit úroveň tvrdosti vody z vodovodu, obraťte se na vodo hospodářskou společnost nebo použijte testovací proužek (pokud je k dispozici).

Nastavení

- Zapněte přístroj stisknutím tlačítka Zap./Vyp.
- Ihned po zapnutí myčky stiskněte a přidržte tlačítko Výběr programu po dobu nejméně 3 sekund.
- Jakmile se zobrazí „SL“, tlačítko uvolněte. Dále se zobrazí poslední nastavená úroveň.
- Pomocí programového tlačítka nastavte požadovanou úroveň. Každé stisknutí programového tlačítka zvyšuje úroveň. Jakmile je dosaženo úrovně 6, další stisk vrátí úroveň na 1.
- Poslední vybraná úroveň tvrdosti vody se uloží do paměti vypnutím přístroje pomocí tlačítka Zap./Vyp.

Použití čistícího prostředku

Používejte pouze čistící prostředky určené k použití v domácích myčkách nádobí. Čistící prostředky skladujte na chladném, suchém místě mimo dosah dětí.

Abyste dosáhli nejlepších výsledků, přidejte do vybraného programu vhodný čistící prostředek. Množství potřebného čistícího prostředku závisí na zvoleném cyklu, množství nádobí a úrovni znečištění. Nepřidávejte do přihrádky na čistící prostředek více čistícího prostředku, než je nutné; jinak na skle a nádobí uvidíte bělavé pruhy nebo namodralé vrstvy, které mohou způsobit korozi skla. Pokračování v používání příliš velkého množství čistícího prostředku může způsobit poškození spotřebiče.

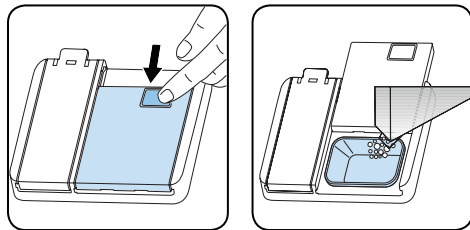
Použití malého množství čistícího prostředku může mít za následek špatné mytí a na nádobí můžete vidět bělavé pruhy.

Další informace naleznete v pokynech výrobce čistícího prostředku.

Naplnění přihrádky na čistící prostředek

Zatlačením na západku otevřete přihrádku a naplňte ji čistícím prostředkem.

Zavřete víko jeho zatlačením, dokud nezaklapne na místo. Přihrádku doplňujte těsně před zahájením každého programu. Pokud je nádobí silně znečištěné, přidejte do přihrádky pro předmytí další čistící prostředek.



Použití kombinovaných čistících prostředků

Tyto výrobky by měly být používány podle pokynů výrobce.

Nikdy nedávejte kombinované čistící prostředky do vnitřní části nebo do košíku na příbory.

Kombinované čistící prostředky neobsahují pouze čistící prostředek, ale také leštidlo, látky nahrazující sůl a další složky v závislosti na kombinaci.

Kombinované čistící prostředky nedoporučujeme používat v krátkých programech. Místo toho použijte práškové čistící prostředky. Pokud při používání kombinovaných čistících prostředků narazíte na problémy, obraťte se na jejich výrobce.

Když přestanete kombinované čistící prostředky používat, ujistěte se, že tvrdost vody a leštidlo jsou nastaveny na správnou úroveň.

Použití leštidla

Leštidlo pomáhá nádobí vysušit bez šmouh a skvrn. Aby bylo nádobí bez skvrn a sklenice čiré, je nutné použít leštidlo.

Leštidlo se automaticky přidá během fáze horkého oplachování. Pokud je nastavení dávkování leštidla příliš nízké, na nádobí zůstanou skvrny a nebude vysušené ani umyté.

Pokud je nastavení dávkování leštidla příliš vysoké, na skle a nádobí se objeví namodralé vrstvy.

Naplnění lešticím prostředkem a nastavení

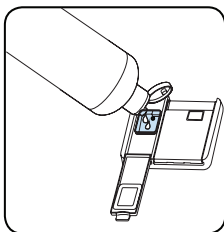
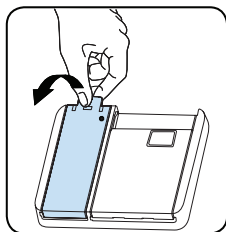
Chcete-li doplnit lešticí prostředek, otevřete víčko oddělení na lešticí prostředek. Doliňte lešticí prostředek do úrovně MAX a potom víčko zavřete.

Nedolévejte příliš velké množství leštidla a případně přebytečné leštidlo utřete.

Abyste změnili hladinu leštidla, postupujte podle následujících kroků před zapnutím zařízení:

- Stiskněte tlačítko Výběr programu a přidržte ho.
- Zapněte přístroj.
- Podržte stisknuté programové tlačítko, dokud nezmizí „rA“ z displeje. Po nastavení lešticího prostředku následuje nastavení tvrdosti vody.
- Zařízení zobrazí poslední nastavení.
- Nastavte úroveň stisknutím programového tlačítka.
- Chcete-li nastavení uložit, myčku vypněte.
- Tovární nastavení je „4“.

Pokud nádobí není správně vysoušeno nebo je špinavé, zvyšte úroveň. Pokud se na nádobí objeví modré skvrny, snižte úroveň.



Úroveň	Ukazatel	Kontrolka
1	Leštidlo se nevydává	Na displeji se objeví r1.
2	Je vydána 1 dávka	Na displeji se objeví r2.
3	jsou vydány 2 dávky	Na displeji se objeví r3.
4	Jsou vydány 3 dávky	Na displeji se objeví r4.
5	Jsou vydány 4 dávky	Na displeji se objeví r5.

ČÁST 5: PLNĚNÍ MYČKY NÁDOBÍ

Nejlepších výsledků mytí dosáhnete při dodržení následujících pokynů.

Naplnění myčky nádobí do kapacity uvedené výrobcem pomáhá šetřit vodu a energii.

Ruční předmytí nádobí vede ke zvýšení spotřeby vody a energie a není

doporučeno. Hrnky, sklenice, příbory, malé talíře a misky můžete umístit do horního koše. Neumísťujte vysoké sklenice vedle sebe, nebudou stát pevně a mohly by se tak poškodit.

Vysoké sklenice a poháry opírejte opírejte je o okraje koše nebo police, nikoliv o sebe.

Veškeré nádobí, jako jsou hrnky, sklenice a hrnce, do myčky dávejte otvorem dolů, aby se v nich nehromadila voda.

Je-li myčka vybavena košíkem na příbory, doporučujeme jej používat, abyste dosáhli nejlepších výsledků mytí. Všechny velké nádoby (hrnce, pánve, pokličky, mísy atd.) a všechny velice zašpiněné kusy nádobí umísťujte na spodní polici.

Nádobí a příbory neumísťujte jedny na druhé.



VAROVÁNÍ!

Ujistěte se, že otáčení ramen s tryskami nic nebrání.



VAROVÁNÍ!

Ujistěte se, že po naplnění myčky přihrádka na čisticí prostředek není zablokována.

Doporučení

Před umístěním nádobí do myčky z něj odstraňte veškeré hrubé zbytky jídla. Myčku spouštějte naplněnou.

POZNÁMKA:

Nevkládejte do myčky příliš velké množství nádobí a nádobí umísťte vždy do správných košů.



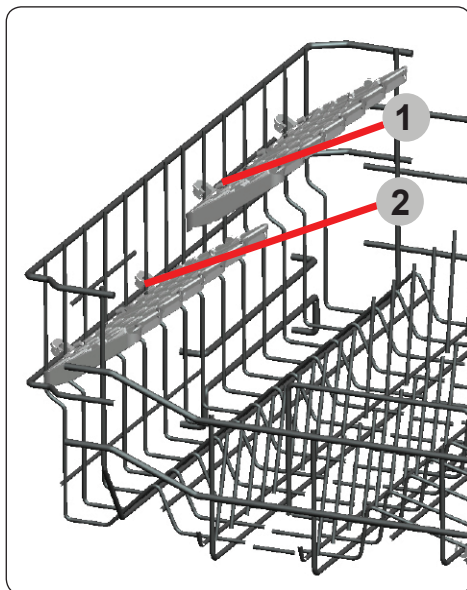
VAROVÁNÍ!

Abyste předešli možným zraněním, umísťte nože s dlouhou rukojetí ostřím dolů nebo vodorovně.

Horní košík

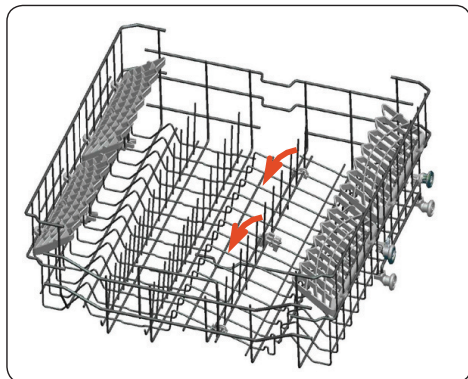
Rošt na nádobí

Do těchto roštů můžete díky nastavitelné výšce umístit nádobí různé velikosti. Rošty můžete používat ve 2 různých výškách.



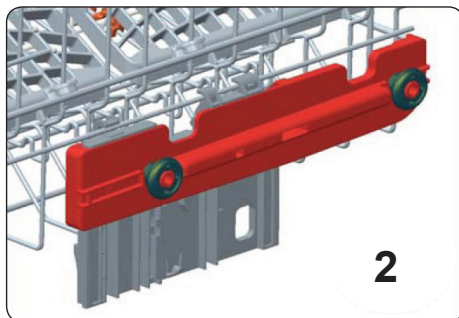
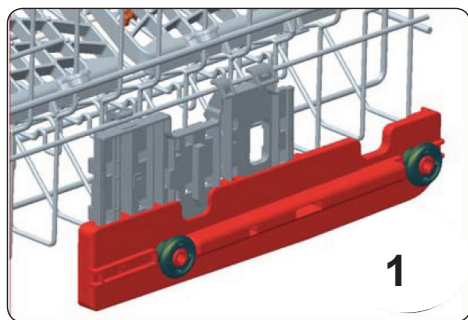
Skládací rošty

Skládací rošty v horní části košíku jsou navrženy tak, že vám umožní vložení velkých nádob, např. hrnců, pánví, atd. V případě potřeby lze každou část složit samostatně nebo je lze složit najednou a získat tak větší prostor. Chcete-li nastavit skládací rošty, zdvihněte je nebo je složte dolů.



Nastavení horní části, je-li plná.

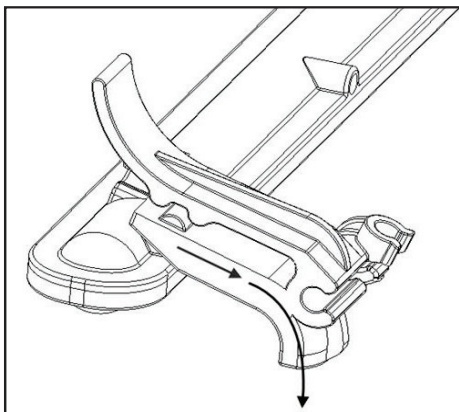
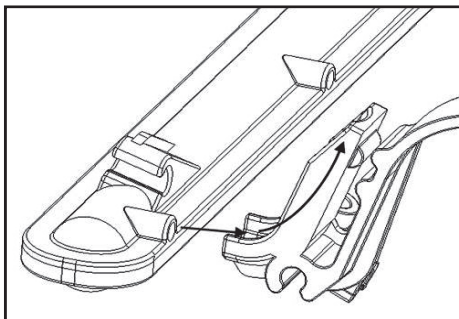
Mechanismus pro nastavení výšky na horním košíku vaší myčky je navržen tak, aby vám umožnil nastavit výšku vašeho horního košíku směrem dolů nebo nahoru, aniž by ho bylo nutné vyjmout z myčky když je plný a vy tak můžete vytvořit větší prostor v horní nebo spodní části vaší myčky. Koš vaší myčky je v továrním nastavení nastaven do horní polohy. Abyste svůj koš zvedli, uchopte ho z obou stran a vysuňte směrem nahoru. Abyste ho snížili, znovu ho uchopte z obou stran a snižte ho. V případě plného košíku se ujistěte, že jsou obě strany ve stejné pozici (nahoru nebo dolů).

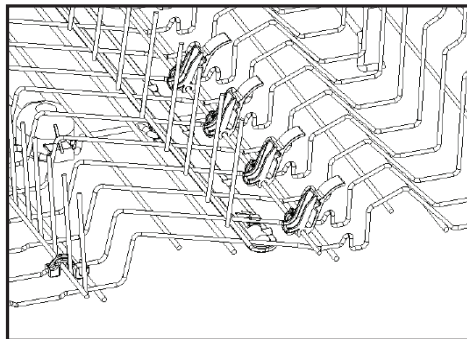


2

Funkce přímého umývání

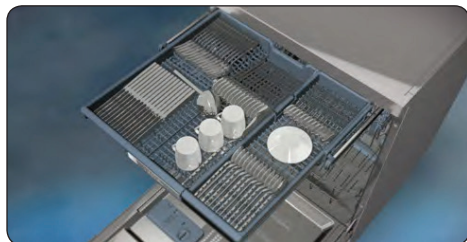
Tato funkce se používá k mytí sklenic, lahví atd. nasměrováním vody nahoru, zatímco je přístroj na horním koši (zobrazený na obrázku) ve svislé poloze. Když je přístroj v horizontální poloze, voda směřuje dolů, což přispívá k mytí spodního koše.



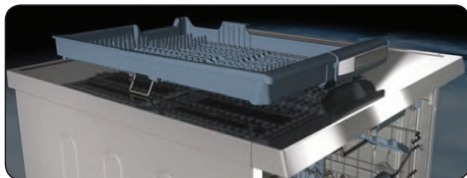


Horní košík na příbory

Horní košík je navržený pro vkládání vidliček, lžící a nožů, dlouhých vařeček a malých předmětů.



Vzhledem k tomu, že ho lze z myčky snadno vyjmout, můžete nádobí vyjmout z myčky společně s košem.



Horní košík na příbory tvoří dvě části; pokud potřebujete prostor na nádobí v horním košíku, můžete vyjmout levou nebo pravou část košíku a získáte tak více prostoru.

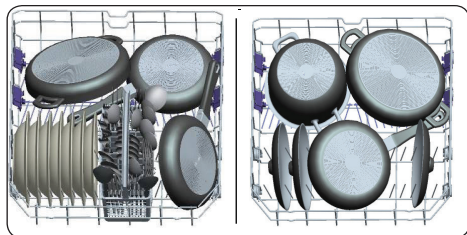


VAROVÁNÍ!

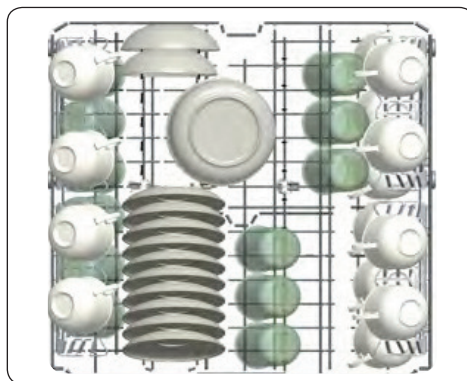
Nože a další ostré předměty lze do košíku na příbory vložit horizontálně.

Alternativní plnění koše

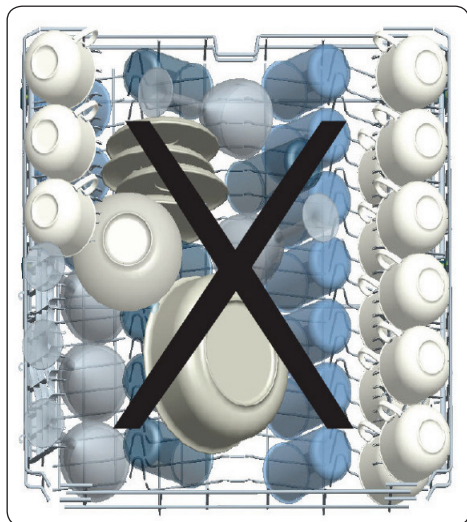
Spodní koš



Horní koš

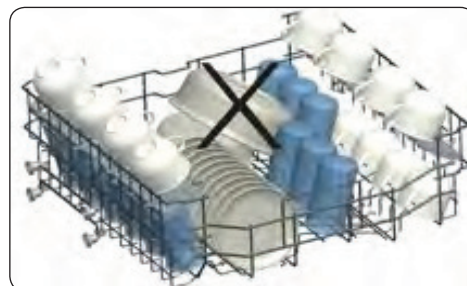
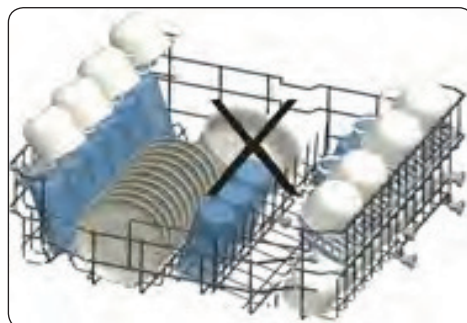
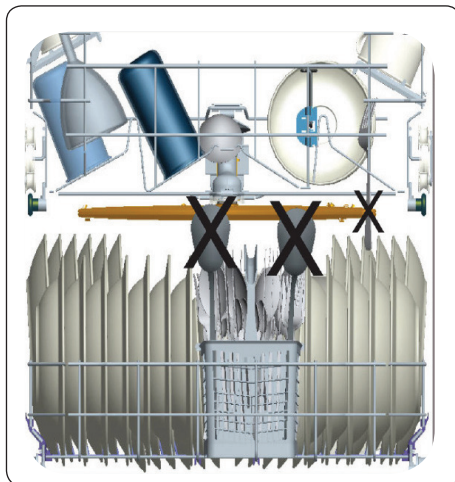


Nesprávné naplnění koše



Nesprávné naplnění myčky

Nesprávné naplnění myčky může způsobit snížení mycího a sušícího výkonu. Abyste dosáhli nejlepších výsledků, dodržujte prosím pokyny výrobce.



ČÁST 6: POPIS PROGRAMU

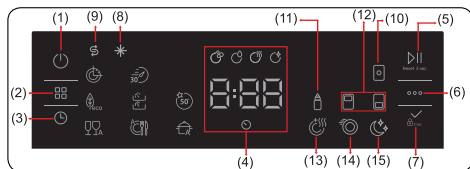
Název programu	P1	P2	P3	P4	P5	P6	P7	P8
Typ znečištění:	Nejkratší program pro lehce znečištěné a nečistě používané nádobí, vhodný pro 4 sady nádobí.	Pro lehce znečištěné nádobí a rychlé mytí.	Standardní program pro běžné denní znečištěné používané nádobí se sníženou spotřebou energie a vody.	Program současně pro lehce znečištěné křehké skleněné nádobí na horní polici i silně znečištěné nádobí na spodní polici.	Rychlejší program pro běžné znečištěné denně používané nádobí.	Automatický program pro běžné znečištěné křehké nádobí.	Automatický program pro běžné znečištěné nádobí.	Automatický program pro silně znečištěné nádobí.
Míra znečištění:	Mírné	Mírné	Střední	Silné	Střední	Střední	Střední	Silné
„Množství čistícího prostředku: A: 25 cm ³ B: 15 cm ³ “	B	A	A	A	A	A	A	A
Délka trvání programu (h:min.):	00:14	00:30	04:30	01:53	00:50	01:12 - 01:31	01:47 - 02:02	01:49 - 02:59
Spotřeba elektriny (kWh/cyklus):	0,340	0,650	0,861	1,600	1,000	0,650 - 0,850	1,050 - 1,325	1,250 - 1,900
Spotřeba vody (l/cyklus):	6,6	10,9	9,0	15,4	9,5	10,6 - 17,7	10,9 - 18,5	11,8 - 24,0

- Doba trvání programu se může měnit v závislosti na množství nádobí, teplotě vody, okolní teplotě a zvolených dodatečných funkcích.
- Hodnoty uváděné pro jiné programy než ekologický program jsou pouze informativní.
- Eco (ekologický) program je vhodný k čištění běžně znečištěného nádobí. Je pro toto použití nejúčinnějším programem, pokud jde o kombinovanou spotřebu energie a vody, a používá se k posouzení souladu s právními předpisy EU o ekodesignu.
- Mytí nádobí v domácí myčce nádobí obvykle spotřebovává méně energie a vody ve fázi používání než ruční mytí nádobí, pokud se myčka nádobí pro domácnost používá podle pokynů výrobce.
- Práškový mycí prostředek používejte pouze pro krátké programy.
- Krátké programy nezahrnují sušení.
- Chcete-li urychlit sušení, doporučujeme po ukončení cyklu nechat trochu pootevřené dveře.
- Přístup do databáze produktů, kde naleznete informace o modelu, můžete získat načtením kódu QR na energetickém štítku.

POZNÁMKA:

Podle nařízení 1016/2010 a 1059/2010 se mohou hodnoty spotřeby energie v programu Eco lišit. Tato tabulka je v souladu s předpisy 2019/2022 a 2017/2022.

ČÁST 7: OVLÁDACÍ PANEL



1. Tlačítko Zap./Vyp.
2. Tlačítko volby programu
3. Tlačítko Odložený start
4. Ukazatel Zbývající čas
5. Tlačítko Start/Pauza
6. Tlačítko Možnosti
7. Tlačítko Vybrat
8. Kontrolka Lešticí prostředek
9. Kontrolka Sůl
10. Kontrolka Tabletový prostředek
11. Kontrolka Extra hygiena
12. Kontrolky Poloviční náplň
13. Kontrolka Extra suché
14. Kontrolka Extra rychlé
15. Kontrolka Extra tiché

1. Tlačítko Zap. yp.

Zapněte přístroj stisknutím tlačítka Zap./ Vyp. Kontrolky Zap./Vyp. budou svítit, po celou dobu, co je přístroj v provozu.

2. Tlačítko Výběru programu

Stisknutím programového tlačítka vyberte vhodný program.

3. Tlačítko Odložený start

Čas spuštění programu můžete odložit od 1–2 do 24 hodin, stisknutím tlačítka Odložený start (3). Chcete-li změnit čas odložení, stiskněte nejdříve tlačítko Start/Pauza a potom stiskněte tlačítko Odložený start pro volbu nového času odložení.

Stisknutím tlačítka Start/Pauza aktivujete nový čas odloženého spuštění. Chcete-li odložené spuštění zrušit, musíte pomocí tlačítka Odložený start čas změnit na 0 hodin, zatímco je myčka pozastavena.

4. Ukazatel Zbývající čas

Průběh programu lze sledovat pomocí kontrolky Mytí, Oplachování, Sušení, Konec a ukazatele Zbývající čas. Když svítí kontrolka Sušení, přístroj zůstane přibližně 15–50 minut potichu vzhledem k délce zvoleného programu.

5. Tlačítko Start/Pauza

Stisknutím tlačítka Start/Pauza program spustíte. Kontrolka mytí se rozsvítí a kontrolka Zbývající čas zobrazí dobu trvání programu. Zobrazuje také zbývající čas během chodu programu. Pokud během probíhajícího programu otevřete dvířka přístroje, program se pozastaví a kontrolka Start/Pauza začne blikat.

6. Tlačítko Možnosti

Možnosti lze vybrat opakovaným stisknutím tlačítka Možnosti. Kontrolka vybrané možnosti začne blikat.

7. Tlačítko Vybrat

Vyberte možnost stisknutím tlačítka Vybrat. Kontrolka vybrané možnosti zůstane svítit.

8. Kontrolka Lešticí prostředek

Když je hladina lešticího prostředku nízká, rozsvítí se výstražná kontrolka nedostatku lešticího prostředku, což znamená, že byste měli naplnit přihrádku na lešticí prostředek.

9. Kontrolka Sůl

Při nedostatku změkčovací soli se rozsvítí výstražná kontrolka nedostatek soli, což znamená, že byste měli naplnit přihrádku se soli.

10. Kontrolka Tabletový prostředek

Při použití kombinovaného čisticího prostředku obsahujícího sůl, leštidlo a extra funkce, vyberte možnost Tableta.

11. Kontrolka Extra hygiena

Můžete si vybrat funkci Extra hygiena a zvýšit hygienu a čistotu mycího procesu změnou teploty vody a doby trvání mytí zvoleného programu.

12. Kontrolka Poloviční náplň

Výběrem možnosti poloviční náplně lze provést tři způsoby mytí: oba koše, horní koš a dolní koš. Tyto možnosti jsou ideální při menším naplnění, umožňují myčce nádobí provádět méně mytí a spotřebovat méně energie.

13. Kontrolka Extra suché

Pokud vyberete funkci Extra suché, budou do vybraného programu přidány další kroky zahřívání a sušení, takže vaše nádobí bude důkladněji vysušeno.

14. Kontrolka Extra rychlé

Výběrem funkce Extra rychlé, zkrátíte dobu trvání programu a spotřeba vody bude nižší.

15. Kontrolka Extra tiché

Výběrem funkce Extra tiché zajistíte šetrné a tiché mytí. Tato funkce snižuje hladinu akustického tlaku během mytí.

POZNÁMKA:

Pokud byla při posledním mycím programu použita dodatečná funkce, zůstane tato funkce aktivní i v dalším vybraném programu, dokud se přístroj nevypne. Chcete-li tuto funkci v nově vybraném mycím programu zrušit, stiskněte a držte tlačítko (6), dokud se kontrolka na tlačítku nerozsvítí.

POZNÁMKA:

Funkci dětského zámku aktivujete/deaktivujete stisknutím a přidržením tlačítka Vybrat (7) po dobu asi 3 sekund. Při aktivaci dětského zámku všechny kontrolky zablikají a na ukazateli zbývajícího času (4) se zobrazí „CL“.

POZNÁMKA:

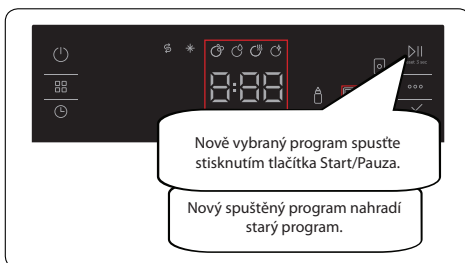
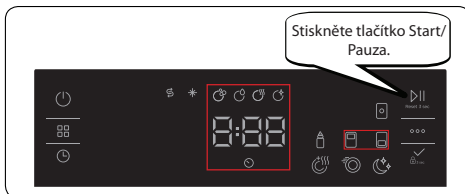
Chcete-li nějaký program uložit jako oblíbený, stiskněte současně tlačítka Program (2) a Odložený start (3). Vybrat oblíbený program pak lze stisknutím a přidržením tlačítka Program (2) po dobu 3 sekund.

POZNÁMKA:

Pokud vypnete přístroj po výběru doby odložení a spuštění programu, odložení se zruší.

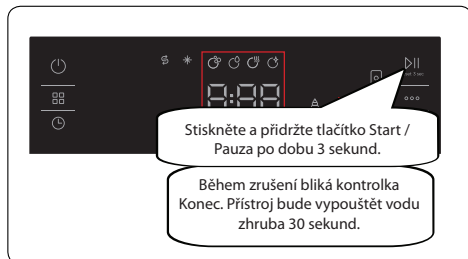
Změna programu

Chcete-li změnit program, zatímco je přístroj v chodu.

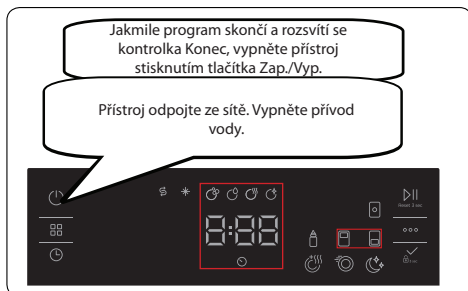


Zrušení programu

Chcete-li program zrušit během chodu.



Vypnutí přístroje



POZNÁMKA:

Neotevírejte dvířka, dokud program neskončí.

POZNÁMKA:

Po dokončení mycího programu můžete nechat dvířka myčky pootevřená, abyste urychlili proces sušení.

POZNÁMKA:

Pokud jsou během chodu otevřena dvířka myčky nebo je během chodu přerušeno napájení, bude program pokračovat po zavření dvířek nebo po obnově napájení.

Úsporný režim

Chcete-li aktivovat nebo deaktivovat úsporný režim, postupujte podle následujících kroků:

1. Otevřete dvířka a současně stiskněte a přidržte tlačítka Program (2) a Možnosti (6) po dobu 3 sekund.
2. Po 3 sekundách se na displeji zobrazí poslední nastavení „IL1“ nebo „IL0“.
3. Když je aktivován úsporný režim, zobrazí se „IL1“. V tomto režimu vnitřní osvětlení zhasne 4 minuty po otevření dvířek a přístroj se vypne po 15 minutách nečinnosti, aby se šetřila energie.
4. Když je úsporný režim deaktivován, na displeji se zobrazí „IL0“. Pokud je úsporný režim deaktivován, vnitřní světla budou svítit, dokud zůstanou dvířka otevřena, a přístroj bude zapnut, dokud jej uživatel nevypne.
5. Chcete-li nastavení uložit, myčku vypněte. V továrním nastavení je úsporný režim aktivní.

ČÁST 8: ČIŠTĚNÍ A ÚDRŽBA

Čištění myčky je důležité pro udržení její životnosti. Ujistěte se, že nastavení změkčení vody (je-li k dispozici) je provedeno správně a že je použito správné množství čistícího prostředku, aby se zabránilo hromadění vodního kamene. Jakmile se rozsvítí kontrolka soli, doplňte příhrádku na sůl.

V myčce nádobí se může časem usazovat olej a vodní kámen. Pokud k tomu dojde:

- Naplňte příhrádku na čistící prostředek, ale nekládejte do myčky žádné nádobí. Vyberte program, který myje při vysoké teplotě, a spusťte program. Pokud to Vaší myčku nádobí dostatečně nevyčistí, použijte čistící prostředek určený pro myčky nádobí.
- Chcete-li prodloužit životnost Vaší myčky, pravidelně ji každý měsíc čistěte.
- Těsnění dvířek pravidelně otírejte navlhčeným hadříkem, abyste odstranili veškeré nahromaděné zbytky nebo cizí předměty.

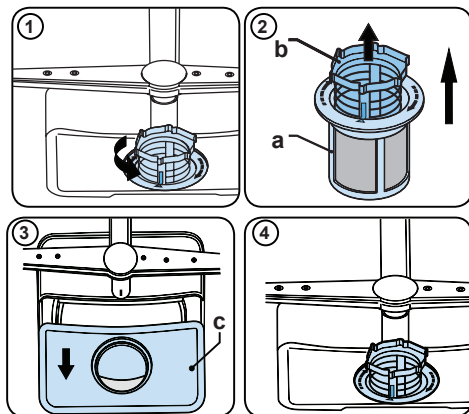
Filtry

Filtry a ramena s tryskami čistěte minimálně jednou týdně. Pokud v jemných a hrubých filtrech zůstanou jakékoli zbytky potravin nebo cizí předměty, filtry vyjměte a důkladně je vyčistěte pod tekoucí vodou.

a) Mikrofiltr

b) Hrubý filtr

c) Kovový filtr

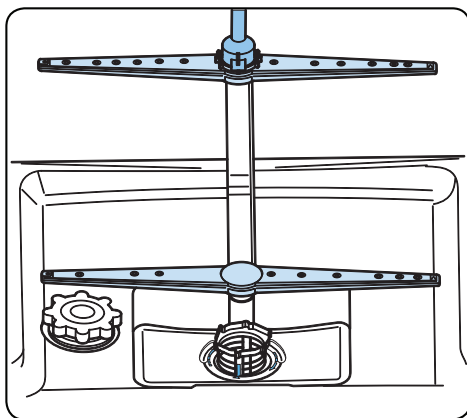


Chcete-li vyjmout a vyčistit kombinaci filtrů, otočte ji proti směru hodinových ručiček a vyjměte ji zvednutím nahoru (1). Vyjměte hrubý filtr z mikrofiltru (2). Potom vytáhněte a vyjměte kovový filtr (3). Filtry důkladně opláchněte pod tekoucí vodou. Namontujte filtry zpět. Sestavu filtrů vraťte zpět otočením ve směru hodinových ručiček (4).

- Myčku nádobí nikdy nepoužívejte bez filtrů.
- Nesprávné nasazení filtrů snižuje účinnost mytí.
- Čisté filtry jsou nezbytné pro správný chod stroje.

Ramena s tryskami

Dbejte na to, aby otvory s tryskami nebyly ucpané a aby na ramenou nezůstaly žádné zbytky potravin nebo cizí předměty. Pokud se některá z trysek ucpala, vyjměte rameno a vyčistěte je pod tekoucí vodou. Chcete-li odstranit horní rameno s tryskami, uvolněte matici, která je drží na svém místě, otáčením ve směru hodinových ručiček a zatáhnutím směrem dolů. Ujistěte se, že při opakovaném nasazení horního ramena na místo je matice dokonale utažená.



Vypouštěcí čerpadlo

Velké zbytky potravin nebo cizí předměty, které nebyly zachyceny filtry, mohou ucpat čerpadlo odpadní vody. Oplachovací voda bude potom nad filtrem.

Varování – nebezpečí pořezání!

Při čištění vypouštěcího čerpadla se ujistěte, že se nepořezete o kusy rozbitého skla nebo špičatých předmětů.

V tomto případě:

1. Nejprve vždy odpojte spotřebič od napájení.
2. Vyměňte koše.
3. Odstraňte filtry.
4. Vypustte vodu. V případě potřeby použijte houbičku.
5. Zkontrolujte oblast a odstraňte všechny cizí předměty.
6. Nainstalujte filtry.
7. Znovu vložte koše.

AUTOMATICKÁ CHYBOVÁ HLÁŠENÍ A JEJICH ŘEŠENÍ

CHYBOVÝ KÓD	MOŽNÁ PORUCHA	ŘEŠENÍ
FF	Porucha na přívodu vody	Ujistěte se, že je ventil přívodu vody otevřen a voda teče.
		Odpojte přívodní hadici od kohoutku a vyčistěte filtr hadice.
		Pokud chyba přetrvává, kontaktujte servis.
F5	Porucha tlakového systému	Kontaktujte servisní středisko.
F3	Chyba na přívodu vody	Zavřete kohoutek a kontaktujte servis.
F2	Nelze vypustit vodu	Vypouštěcí hadice a filtry mohou být ucpány.
		Zrušte program.
		Pokud chyba přetrvává, kontaktujte servis.
F8	Chyba ohřevu	Kontaktujte servisní středisko.
F1	Přetékání	Odpojte spotřebič od sítě a zavřete ventil přívodu vody.
		Kontaktujte servisní středisko.
FE	Vadná elektronická karta	Kontaktujte servisní středisko.
F7	Přehřívání	Kontaktujte servisní středisko.
F9	Chyba umístění přepážky	Kontaktujte servisní středisko.
F6	Vadný senzor ohřívání	Kontaktujte servisní středisko.
HI	Příliš vysoké napětí	Kontaktujte servisní středisko.
LO	Příliš nízké napětí	Kontaktujte servisní středisko.

Instalaci a opravy musí vždy provádět autorizovaný servisní zástupce, aby se zabránilo možným rizikům. Výrobce neodpovídá za škody, které mohou vzniknout při postupech prováděných neoprávněnými osobami. Opravy smí provádět pouze technik. Pokud je nutné vyměnit součástku, použití neoriginálních náhradních dílů mohou způsobit značné škody a vystavit uživatele značnému riziku.

Kontaktní informace zákaznického servisu najdete na zadní straně tohoto dokumentu.

Originální náhradní díly potřebné pro správné fungování spotřebiče podle příslušné objednávky ekodesignu lze získat od zákaznického servisu po dobu nejméně 10 let ode dne, kdy byl Váš spotřebič uveden na trh v Evropském hospodářském prostoru.

ČÁST 10: INFORMAČNÍ LIST

Informační list

PHILCO 

DELEGOVANÉ NAŘÍZENÍ KOMISE (EU) 2019/2016

Název nebo ochranná známka výrobce: PHILCO

Adresa výrobce: U Sanitasu 1621, Říčany 251 01, CZ

Identifikační značka modelu: PDI 1568 DLT / PDI 1568 DLTDX

Základní specifikace: Myčka nádobí

Parametr	Hodnota	Parametr	Hodnota	
Jmenovitá kapacita (v ks)	15	Rozměry v cm	Výška	85
			Šířka	60
			Hloubka	60
Index energetické účinnosti EEL_w	49,9	Třída energetické účinnosti *	D	
Třída účinnosti mytí	1,13	Třída účinnosti sušení	1,07	
Spotřeba energie v kWh [za cyklus], při eko programu s využitím plnění studené vody. Skutečná spotřeba energie bude záviset na používání spotřebiče.	0,861	Spotřeba vody v litrech [na cyklus], na základě eko programu. Skutečná spotřeba vody bude záviset na tom, jak se spotřebič používá a na tvrdosti vody.	9	
Trvání programu (h:min)	4:30	Typ	Volně stojící	
Akustický zvuk emise hluku (dB(A) re 1 pW)	39	Třída akustických emisí hluku	B	
Spotřeba po vypnutí (W)	0,5	Spotřeba v pohotovostním režimu (W)	1	
Spotřeba v režimu odloženého startu (W) (pokud je zvolen)	1	Spotřeba v síťovém pohotovostním režimu (W) (pokud je zvolen)	-	

Minimální doba trvání záruky nabízené výrobcem: 24 měsíců

Dodatečné informace:

Webový odkaz na web výrobce, kde jsou informace uvedené v bodě 6 přílohy II nařízení Komise (EU) 2019/2022: www.philco.cz

* A (nejvyšší účinnost) až G (nejnižší účinnost)

TECHNICKÉ INFORMACE

Technické informace se nachází na typovém štítku na vnitřní straně spotřebiče a na energetickém štítku. QR kód, na dodaném energetickém štítku, obsahuje odkaz na registraci spotřebiče v databázi EU Eprel. Uchovejte si energetický štítek, návod k použití, spolu s dalšími dokumenty dodanými s přístrojem.

INFORMACE O TESTOVÁNÍ

Dodané zařízení je v souladu s EcoDesignem a EN60436:2020. Požadavky na přístup vzduchu pro správný provoz přístroje, minimální vzdálenost od zdi a rozměry přístroje, jsou součástí tohoto návodu. V případě dalších dotazů se obraťte na výrobce.

PÉČE O ZÁKAZNÍKA A SERVIS

Vždy používejte pouze originální náhradní díly.

Označení modelu a sériové číslo naleznete na typovém štítku. Polohu typového štítku je možné změnit bez předchozího upozornění.

Originální náhradní díly pro některé konkrétní komponenty jsou k dispozici minimálně 7 nebo 10 let. Závisí to na typu komponentu a na uvedení posledního spotřebiče daného modelu na trh.

Při kontaktování našeho autorizovaného servisu mějte k dispozici modelové označení, sériové číslo a popis závady.

Pro stažení dokumentů navštivte www.philco.cz.

Pro nahlášení závady a získání dalších servisních informací navštivte <https://philco.cz/podpora-a-servis>.

Změny vyhrazeny bez předchozího upozornění.

POKYNY A INFORMACE O NAKLÁDÁNÍ S POUŽITÝM OBALEM

Použitý obalový materiál odložte na místo určené obcí k ukládání odpadu.

LIKVIDACE POUŽITÝCH ELEKTRICKÝCH A ELEKTRONICKÝCH ZAŘÍZENÍ



Tento symbol na produktech anebo v průvodních dokumentech znamená, že použité elektrické a elektronické výrobky nesmí být přidány do běžného komunálního odpadu. Ke správné likvidaci, obnově a recyklaci předejte tyto výrobky na určená sběrná místa. Alternativně v některých zemích Evropské unie nebo jiných evropských zemích můžete vrátit své výrobky místnímu prodejci při koupi ekvivalentního nového produktu. Správnou likvidací tohoto produktu pomůžete zachovat cenné přírodní zdroje a napomáháte prevenci potenciálních negativních dopadů na životní prostředí a lidské zdraví, což by mohly být důsledky nesprávné likvidace odpadů. Další podrobnosti si vyžádejte od místního úřadu nebo nejbližšího sběrného místa. Při nesprávné likvidaci tohoto druhu odpadu mohou být v souladu s národními předpisy uděleny pokuty.

Pro podnikové subjekty v zemích Evropské unie

Chcete-li likvidovat elektrická a elektronická zařízení, vyžádejte si potřebné informace od svého prodejce nebo dodavatele.

Likvidace v ostatních zemích mimo Evropskou unii

Tento symbol je platný v Evropské unii. Chcete-li tento výrobek zlikvidovat, vyžádejte si potřebné informace o správném způsobu likvidace od místních úřadů nebo od svého prodejce.



Tento výrobek je v souladu s požadavky směrnice EU o elektromagnetické kompatibilitě a elektrické bezpečnosti.

Změny v textu, designu a technických specifikacích se mohou měnit bez předchozího upozornění a vyhrazujeme si právo na jejich změnu.

Originál tohoto návodu k obsluze je v českém jazyce.

Umývačka riadu

NÁVOD NA OBSLUHU

PHILCO



Famous for Quality the World Over

PDI 1568 DLT
PDI 1568 DLTDX


Vážený zákazník,

Ďakujeme, že ste si kúpili výrobok značky PHILCO. Aby mohol váš spotrebič slúžiť dobre, prečítajte si všetky pokyny uvedené v tomto návode na obsluhu.

OBSAH

ČASŤ 1: BEZPEČNOSTNÉ POKYNY	2
ČASŤ 2: INŠTALÁCIA VÝROBKU	5
ČASŤ 3: TECHNICKÉ ÚDAJE	8
ČASŤ 4: PRÍPRAVA SPOTREBIČA NA POUŽITIE.....	9
ČASŤ 5: PLNENIE UMÝVAČKY	13
ČASŤ 6: POPIS PROGRAMU.....	17
ČASŤ 7: OVLÁDACÍ PANEL	19
ČASŤ 8: ČISTENIE A ÚDRŽBA	22
ČASŤ 9: ODSTRÁNENIE MOŽNÝCH PROBLÉMOV	24
ČASŤ 10: INFORMAČNÝ LIST.....	27

ČASŤ 1: BEZPEČNOSTNÉ POKYNY

 **VAROVANIE!** Pri použití umývačky riadu dodržiavajte nižšie uvedené upozornenia:

Tento spotrebič môžu používať deti od 8 rokov a osoby so zníženými fyzickými, zmyslovými alebo mentálnymi schopnosťami alebo s nedostatkom skúseností a znalostí, ak sú pod dozorom alebo boli poučené o používaní spotrebiča bezpečným spôsobom, a rozumejú prípadným nebezpečenstvám.


Deti sa so spotrebičom nesmú hrať.

Čistenie a údržbu vykonávanú používateľom nesmú vykonávať deti bez dozoru.

Ak je prívodný kábel poškodený, jeho výmenu zverte odbornému servisnému stredisku, aby sa zabránilo vzniku nebezpečnej situácie. Spotrebič s poškodeným prívodným káblom je zakázané používať.

Dvierka by nemali zostávať v otvorenej polohe, pretože inak hrozí nebezpečenstvo zakopnutia.

Pri ukladaní riadu do umývačky:

-  **VÝSTRAHA:** Nože a ďalšie náradie s ostrými hrotmi a ostrím musíte vložiť do koša špičkami smerom dolu alebo uložiť do vodorovnej polohy.
- Ostré predmety ukladajte tak, aby nemohli poškodiť tesnenie dvierok.

- Nože alebo podobné ostré predmety vždy vkladajte rukoväťou hore, aby sa o ostrie niekto neporanil.
- Neumývajte v umývačke plastové predmety, ak nie sú výrobcom označené ako vhodné do umývačky riadu. Prítomnosť plastového riadu v umývačke má za následok horší výsledok procesu sušenia. Pri plastových predmetoch, ktoré nie sú označené ako vhodné do umývačky riadu, dodržiavajte odporúčania ich výrobcu.

Tento spotrebič je určený na použitie v domácnosti a v podobných priestoroch, ako sú:

- kuchynské kúty v obchodoch, kanceláriách a ostatných pracoviskách;
 - v poľnohospodárstve;
 - hostia v hoteloch, moteloch a podobných ubytovacích zariadeniach;
 - v zariadeniach zaisťujúcich nocľah s raňajkami.
- Na dvierka a koše na riad si nesadajte, nestúpajte na ne a pri obsluhu nepoužívajte násilie.
 - Neumiestňujte na spotrebič žiadne ťažké predmety a nestúpajte na otvorené dvierka. Spotrebič by sa mohol prevrátiť dopredu.

Používajte len umývacie a leštiace prostriedky určené do umývačky riadu. Nikdy nepoužívajte mydlo, pracie prostriedky ani umývacie prostriedky na riad na ručné umývanie.

Deťom zabráňte v prístupe k umývacím a leštiacim prostriedkom a tiež k otvoreným dvierkam umývačky, pretože by vo vnútri mohli byť zvyšky prostriedkov, ktoré sú alkalické a môžu byť veľmi nebezpečné.

Spotřebič, přívodný kábel alebo zástrčka nesmú ležať, dotýkať sa ani byť ponorené do vody alebo inej kvapaliny, aby nedošlo k úrazu elektrickým prúdom.

Ak je napájací kábel poškodený, musí byť vymenený výrobcom, jeho servisným technikom alebo podobne kvalifikovanou osobou, aby nebola ohrozená bezpečnosť.

Spotřebič nesmie stáť na prívodnom kábli.

Spotřebič pripojte k prívodu vody pomocou novej hadice a nie pomocou už používanej hadice.

Obalové materiály zlikvidujte správnym spôsobom.

Počas inštalácie nesmie byť napájací kábel nadmerne alebo nebezpečne ohýbaný alebo stláčaný.

Ovládacie prvky nie sú na hranie.

Uistite sa, že koberec neblokuje otvory v dolnej časti spotřebiča.

Umývačku používajte len na účely, na ktoré je určená, teda na umývanie riadu.

Táto umývačka je určená len na použitie v interiéri.

**POZORNE SI PREČÍTAJTE A DODRŽIAVAJTE TIETO
BEZPEČNOSTNÉ POKYNY A USCHOVAJTE SI ICH PRE POUŽITÍ
V BUDÚCNOSTI.**

ČASŤ 2: INŠTALÁCIA VÝROBKU

Umiestnenie umývačky

Pri určení miesta inštalácie, dajte pozor na prístupnosť miesta, aby bolo vkladanie a vyberanie riadu ľahké.

Umývačku nestavajte do miest, kde môže dôjsť k poklesu teploty pod 0 °C. Pred inštaláciou vybalte umývačku a zbavte ju všetkých obalov podľa pokynov na obale.

Umývačku umiestnite do blízkosti prívodu vody a odpadu. Umiestnite ju tak, aby sa jej pripojenie už nemenilo ak je raz urobené.

Pri sťahovaní umývačky ju neberte za dverka ani za predný panel.

Dajte pozor, aby ste dodržali určitú vzdialenosť od všetkých strán spotrebiča, aby ho bolo možné počas čistenia pohodlne vysunúť a zasunúť.

Skontrolujte, že počas umiestnenia spotrebiča nedošlo k zachyteniu hadíc na prívod a odvod vody. Taktiež sa uistite, že spotrebič nestojí na elektrickom kábli. Pomocou nastaviteľných nôžok postavte umývačku do vodorovnej stabilnej polohy. Správne umiestnenie spotrebiča zabezpečí bezproblémové otváranie a zatváranie dverí.

Ak sa dvere spotrebiča správne nedovierajú, skontrolujte, či je spotrebič na rovnom povrchu, ak nie, nastavte nožičky a uistite sa, že je pozícia stabilná.

Pripojenie vody

Rozvody vody musí byť pre inštaláciu umývačky riadu vhodný. Tiež vám odporúčame, aby ste pri vstupe do bytu inštalovali filter a predišli tak poškodeniu spotrebiča z dôvodu kontaminácie (piesok, hlina, hrdza, atď.). Ktorý môže byť občas prenášaný vo vodovodnom potrubí alebo v domácich rozvodoch vody, a predišli tak sťažnostiam na zožltnutie a hromadeniu nečistôt po umývaní.

Prívodné potrubie



VAROVANIE!

Nepoužívajte hadicu pre prívod vody zo starého spotrebiča. Použite novú hadicu, ktorá je dodaná spoločne s vaším spotrebičom.

VAROVANIE!

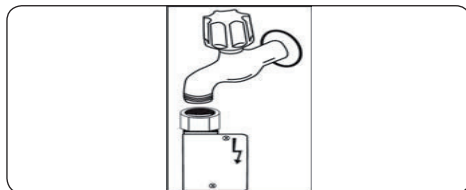
Ak ku spotrebiču pripojíte novú alebo dlhú - nepoužitú hadicu, nechajte ju chvíľu pred zapojením pretekať vodu.

VAROVANIE!

Hadicu pripojte priamo k vodovodnému ventilu. Tlak prívodu vody musí byť minimálne 0,03 Mpa a maximálne 1 Mpa. Ak je tlak vody nad 1 Mpa, je potrebné nainštalovať poistný ventil.

VAROVANIE!

Po vykonaní zapojenia je potrebné kohútik plne otvoriť a skontrolovať, či z neho neuniká voda. Z dôvodu bezpečnosti vypnite prívod vody po dokončení každého programu.

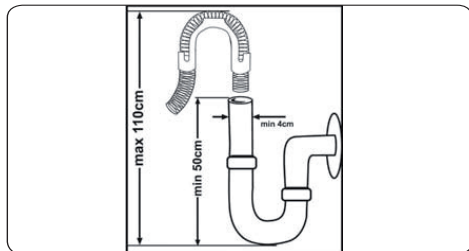




UPOZORNENIE!

Niektoré modely používajú hadicu Aquastop. V prípade použitia zariadenia Aquastop môže dôjsť k nebezpečnému pnutiu. Nedovoľte, aby sa toto zariadenie ohlo.

Odpadové potrubie

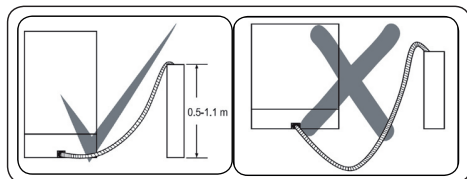


Hadicu odpadu môžete pripojiť priamo k vývodu kanalizácie alebo do drezového sifónu. Pomocou špeciálneho násadca na hadicu môžete hadicu zavesiť za okraj kuchynského drezu. Toto pripojenie musí byť 50-110 cm od podlahy.



DÔLEŽITÉ:

Ak sa použije hadica dlhšia ako 4 m, riad môže zostať špinavý. V takom prípade naša spoločnosť nenesie žiadnu zodpovednosť.



Pripojenie elektrického napájania



VAROVANIE!

Trojpólová zástrčka umývačky musí byť zapojená do uzemnenej zásuvky so zodpovedajúcimi hodnotami napätia a prúdu. V prípade, že nie je vykonané žiadne uzemnenie, nechajte ho vykonať kompetentného elektrikára. Ak nie je použitá uzemnená inštalácia, naša spoločnosť nezodpovedá za akékoľvek prípadné škody



Hodnota ističa zásuvky by mala byť 10 – 16 A.



Umývačka je určená pre menovité napätie 220 – 240 V. Ak je vo vašej sieti napätie 110 V, použite transformátor 110/220 V s výkonom 3 000 W. Počas zmien polohy umývačky odpojte sieťový prívod.



Pri nižšom napätí siete klesá účinnosť umývania.



Vždy používajte sieťový prívod so zaliatou zástrčkou, ktorý je súčasťou umývačky.



Prívodný kábel umývačky smie meniť iba autorizovaný servis alebo autorizovaný elektrikár. Môže dôjsť k nehode. Z bezpečnostných dôvodov po skončení umývacieho programu vždy odpojte sieťový prívod od zásuvky.



Vstavanie umývačky pod pracovnú dosku

Ak si prajete vykonať montáž spotrebiča do kuchynskej linky, zaistite, aby ste mali dostatok priestoru a zistite, či máte k tomu vhodné rozvody. (1) Ak sa rozhodnete, že je priestor v kuchynskej linke vhodný na montáž spotrebiča, zložte hornú dosku tak, ako je znázornené na obrázku. (2)

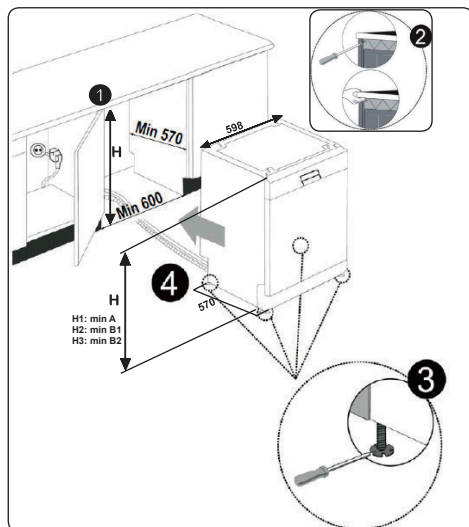


VAROVANIE!

Časť stojana, ktorú používate po sňatí hornej dosky bude stabilný a nebude dochádzať k neexportovaniu.

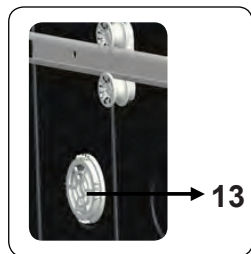
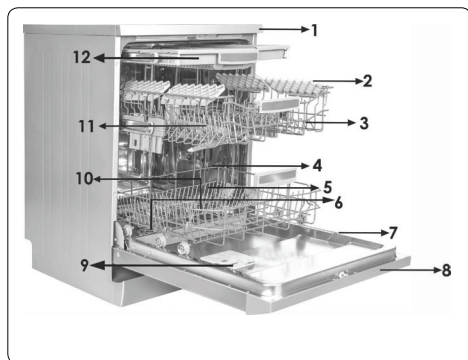
Hornú dosku odoberte po povolení skrutiek na zadnej strane umývačky; potom zatlačte dosku o 1 cm spredu dozadu a zdvihnite ju.

Nožičky spotrebiča nastavte podľa sklonu podlahy. **(3)** Spotrebič zasuňte do linky a nedovoľte, aby došlo k ohnutiu alebo zaseknutiu hadíc. **(4)**



	A	B	
	Všetky produkty	B ₁	B ₂
Výška	820 mm	830 mm	835 mm

ČASŤ 3: TECHNICKÉ ÚDAJE



1. Pracovná plocha
2. Horný kôš s roštami
3. Horné rameno s tryskami
4. Dolný kôš
5. Spodné rameno s tryskami
6. Filtre
7. Typový štítok
8. Ovládací panel
9. Priehradka na čistiaci prostriedok a leštadlo
10. Košík na nože
11. Priehradka na soľ
12. Západka horného košíka
13. Jednotka na urýchlené sušenie: Tento systém poskytuje lepší výkon pri sušení vášho riadu.

TECHNICKÉ ÚDAJE

Kapacita	15 súprav
Rozmery (mm)	
Výška	850 (mm)
Šírka	598 (mm)
Hĺbka	598 (mm)
Čistá hmotnosť	53,600 kg
Napájanie	220 - 240 V / 50 Hz
Celkový príkon	1900 W
Ohrievací výkon	1800 W
Príkon čerpadla	100 W
Príkon vypúšťacieho čerpadla	30 W
Tlak vody v rozvode	Maximum: 1 Mpa Minimum: 0,03 Mpa
Prúd	10 (A)

Súlad s normami a skúšobné údaje/Vyhlasenie o zhode EÚ

Tento produkt spĺňa všetky predpoklady príslušných smerníc EÚ s korešpondujúcimi štandardmi o harmonizácii, ktoré sú potrebné pre získanie označenia CE.

ČASŤ 4: PRÍPRAVA SPOTREBIČA NA POUŽITIE

Pred prvým použitím si prečítajte návod na použitie.

- Skontrolujte, či rozvody vody a elektriny zodpovedajú hodnotám vyznačeným v pokynoch k inštalácii spotrebiča.
- Odstráňte všetky obaly z vnútornej časti spotrebiča.
- Nastavte zmäkčenie vody.
- Do nádržky na soľ dajte 1 kg soli a naplňte vodou až po označenú hladinu.
- Naplňte nádržku na leštiadlo.

PRÍPRAVA SPOTREBIČA NA POUŽITIE

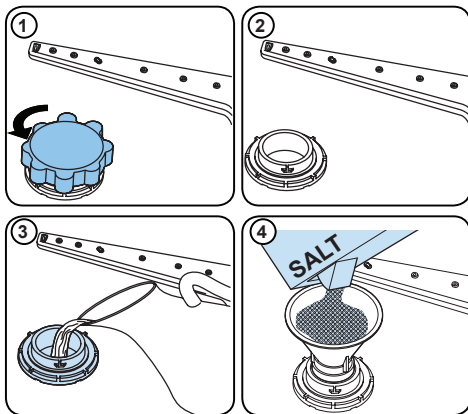
Význam odstránenie vodného kameňa z vody

Aby sa dosiahlo dobrého výsledku, umývačka potrebuje mäkkú vodu, menej vápenitú vodu. V opačnom prípade zostanú na riad a v interiéri umývačky zvyšky vodného kameňa. To negatívne ovplyvní umývacie, sušiacie a leštiaci výkon vašej umývačky. Z tohto dôvodu sa pri umývačkách používa systém zjemnenie. Systém zjemnenie je potrebné vymieňať, aby zaistil rovnakú výkonnosť aj počas ďalšieho umývania. K tomu sa používa soľ do umývačky riadu.

Naplňte soľ

Aby sa dosiahlo dobrého výsledku, umývačka potrebuje mäkkú, menej vápenitú vodu. V opačnom prípade zostanú na riadu a v interiéri umývačky zvyšky vodného kameňa. To negatívne ovplyvní umývací, sušiaci a leštiaci výkon vašej umývačky. Keď voda prúdi cez systém na zmäkčovanie, ióny tvoriace tvrdosť sa z vody odstránia a voda dosiahne mäkkosť potrebnú na dosiahnutie najlepších výsledkov umývania. V závislosti od úrovne tvrdosti prítokovej vody tieto ióny, ktoré robia vodu tvrdou, sa rýchlo usadzujú vnútri systému na zmäkčovanie. Systém zjemnenie je potrebné vymieňať, aby zaistil rovnakú výkonnosť aj počas ďalšieho umývania. K tomu sa používa soľ do umývačky riadu.



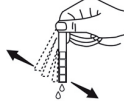
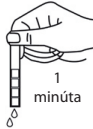
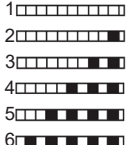
V spotrebiči sa môže používať len špeciálna soľ do umývačiek riadu na zmäkčovanie vody. Nepoužívajte žiadne typy soli s malým zrnom alebo v prášku, ktoré sa ľahko rozpúšťajú. Použitie akýchkoľvek iných typov soli môže spotrebič poškodiť.



Použite soľ vyrobenú na použitie v umývačkách riadu. Pri pridaní soli najprv zložte spodný košík a otvorte priestor na soľ, viečko otočte proti smeru hodinových ručičiek. (1) (2) Pri prvom použití naplňte 1 kg soli a vodou (3), až na vyznačenú úroveň. Použitie lievika (4) uľahčí plnenie. Utiahnite viečko a zatvorte. Po každom 20-30 umývaní pridajte do práčky soľ (približne 1 kg). K soli pridajte vodu len pri prvom použití. Odporúčame, aby ste použili jemnozrnnú lebo práškovou soľ. Do umývačky nedávajte stolovú soľ. V opačnom prípade sa môže funkcia zjemnenie zhoršiť. Keď spotrebič spustíte, nádržka na soľ sa naplní vodou. Preto dajte soľ do spotrebiča pred spustením. Tak sa soľ, ktorá pretečie, vyčistí počas umývania. Ak nebudete mať riadu ihneď po vložení soli, potom spustite program krátkeho umývania, aby ste predišli korózii v umývačke, ku ktorému by mohlo dôjsť pri preplnení soľou. Aby ste porozumeli tomu, či je množstvo soli v umývačke dostatočné, skontrolujte priezor na viečku priestoru na soľ. Ak je zelený, soli je dostatok. Ak nie je zelený, je potrebné pridať soľ.

Testovací průžok

Účinnost umývání vašho spotřebiča závisí na měkkosti kohútikovej vody. Z tohto dôvodu je váš spotřebič vybavený systémom, ktorý znižuje tvrdosť vody z vodovodu. Účinnost umývání sa zvýši pri správnom nastavení systému. Aby ste zistili tvrdosť vody vo vašej lokalite, kontaktujte dodávateľa vody alebo zistite tvrdosť vody pomocou testovacieho průžku (ak ho máte k dispozícii).

Vodu z kohútika nechajte 1 minútu odtekať.	Testovací průžok ponorte do vody na 1 sekundu.	Po vybratí z vody testovací průžok otrepu.	Počkajte 1 minútu.	Nastavenie tvrdosti vody vykonajte podľa výsledku, ktorý sa zobrazí na testovacom průžku.
				

POZNÁMKA:

Tvrdosť vody je v továrenském nastavení nastavená na úroveň 3.

V súlade s úrovňou definovanou na teste vykonajte nastavenie tvrdosti vody vašho spotřebiča.

Nastavenie spotreby soli

Úroveň	Nemecké značenie dH	Francúzske značenie dF	Britské značenie dE	Indikátor
1	0-5	0-9	0-6	Na displeji sa zobrazí L1.
2	6-11	10-20	7-14	Na displeji sa zobrazí L2.
3	12-17	21-30	15-21	Na displeji sa zobrazí L3.
4	18-22	31-40	22-28	Na displeji sa zobrazí L4.
5	23-31	41-55	29-39	Na displeji sa zobrazí L5.
6	32-50	56-90	40-63	Na displeji sa zobrazí L6.

Nastavenie

- Spotřebič zapnite stlačením tlačidla Vyp./Zap.
- Stlačte tlačidlo Program na aspoň 3 sekundy hneď po zapnutí spotřebiča.
- Uvoľnite tlačidlo Program po zobrazení „SL“. Potom sa zobrazí posledná úroveň nastavenia.
- Stlačte tlačidlo program na nastavenie požadovanej úrovne. Každé stlačenie tlačidla programu zvyšuje úroveň. Po dosiahnutí úrovne 6 sa ďalším stlačením vráti na úroveň 1.
- Posledná vybraná úroveň tvrdosti vody sa uloží do pamäte vypnutím spotřebiča tlačidlom Vyp./Zap..

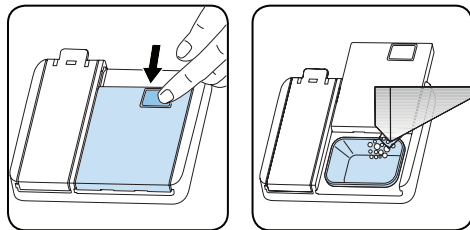
Použití čistiaceho prostriedku

Použite len čistiaci prostriedok určený na použitie v domácich umývačkách riadu. Čistiace prostriedky skladujte na chladnom, suchom mieste mimo dosahu detí.

Doplňte čistiaci prostriedok vhodný k vybranému programu na zaistenie najlepšieho výsledku. Potrebné množstvo čistiaceho prostriedku závisí od cyklu, množstva naloženia a od úrovne znečistenia riadu. Neplňte do priehradky na čistiaci prostriedok viac čistiaceho prostriedku, ako je potrebné, inak sa na riade a skle objavia biele škvrny alebo modrastá vrstva a môže to spôsobiť koróziu skla. Neustále používanie priveľkého množstva čistiaceho prostriedku môže spôsobiť poškodenie spotrebiča. Používanie malého množstva čistiaceho prostriedku môže viesť k nedostatočnému čisteniu a pri tvrdej vode sa objavia biele škvrny. Pozrite si ďalšie informácie v pokynoch výrobcu čistiaceho prostriedku.

Plnenie priehradky na čistiaci prostriedok

Dokáže celkom pojať 40 cm³ čistiaceho prostriedku. Otvorte priehradku na čistiaci prostriedok a nalejte ho do väčšieho priestoru 25 cm³ ak je riad ťažko znečistený alebo ak je menej znečistený, tak 15 cm³. 2 Ak bolo riadu ponechané dlho špinavé, ak sú na riade zaschnuté potraviny alebo ak je umývačka preplnená, nalejte do priehradky 5 cm³ čistiaceho prostriedku a spotrebič spustite. Do spotrebiča môžete pridať viac čistiaceho prostriedku, v závislosti na miere znečistenia a tvrdosti používanej vody.



Kombinované čistiace prostriedky

Kombinované čistiace prostriedky môžu mať rôzne vlastnosti. Pred použitím čistiaceho prostriedku je potrebné si dôkladne prečítať pokyny na jeho použitie. Všeobecne kombinované čistiace prostriedky dosahujú dostatočných výsledkov len za určitých podmienok.

Body, ktoré je potrebné pri použití tohto typu produktu zvážiť:

- Skontrolujte, či ide o kombinovaný produkt alebo nie.
- Skontrolujte, či je použitý čistiaci prostriedok vhodný na tvrdosti vody.
- Dodržte pokyny uvedené na obale výrobku.
- Tablety vždy vkladajte len do priehradky pre čistiace prostriedky.
- Je potrebné, aby ste kontaktovali výrobcu a zistili vhodné podmienky použitia.
- Ak používate vhodné produkty, zabezpečí úsporu soli a / alebo vody použitej pri oplachovaní.
- Rozsah záruky vášho spotrebiča nezahŕňa žiadne sťažnosti týkajúce sa použitia takýchto typov čistiacich prostriedkov.

Odporúčané použitie: Ak chcete dosiahnuť lepšie výsledky vďaka použitiu kombinovaných čistiacich prostriedkov, pridajte soľ a leštidlo a nastavte tvrdosť vody a nastavenie leštidla na najnižšiu úroveň.

Rozpustnosť čistiacich prostriedkov vo forme tabliet vyrobených rôznymi spoločnosťami sa líši v závislosti od teploty a času. Preto sa neodporúča používať také prostriedky v krátkodobých programoch. U takýchto programov je vhodnejšie použiť práškové čistiace prostriedky.



VAROVANIE!

V prípade problému, ku ktorému nedošlo predtým, a ktorý súvisí s použitím tohto typu čistiacich prostriedkov, kontaktujte priamo výrobcu čistiaceho prostriedku.

Keď sa vzdáte použitia kombinovaných čistiacich prostriedkov

- Naplňte nádržku na soľ a leštidlo.
- Tvrdosť vody nastavte na najvyššiu pozíciu a spustite prázdnu umývačku.
- Nastavte úroveň tvrdosti vody.
- Urobte vhodné nastavenie leštidla

Plnenie leštidlom, nastavenie

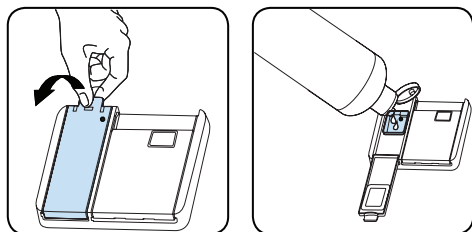
Ak chcete naplniť priehradku na leštidlo, otvorte kryt priehradky na leštidlo. Naplňte priehradku leštiacim prostriedkom po úroveň MAX a potom zatvorte uzáver. Dajte pozor, aby ste priehradku na leštidlo nepreplnili a prípadné rozliatie nevytírali.

Ak chcete zmeniť hladinu leštidla, pred zapnutím prístroja postupujte podľa nasledujúcich krokov:

Spotrebič zapnite stlačením tlačidla Vyp./Zap.

- Stlačte tlačidlo Program na aspoň 5 sekúnd hneď po zapnutí spotrebiča.
- Podržte tlačidlo programu stlačené, až kým „rA“ nezmizne z displeja. Nastavenie leštidla nasleduje nastavenie tvrdosti vody.
- Spotrebič zobrazí posledné nastavenie.
- Úroveň nastavíte stlačením tlačidla programu.
- Ak chcete nastavenia uložiť, umývačku vypnite.
- Nastavenie výrobcu je „4“.

Ak riad neschne dostatočne alebo sú na ňom škvvrny, zvýšte úroveň. Ak sa na riade objavajú modré škvvrny, znížte úroveň



Úroveň	Dávka leštidla	Indikátor
1	Dávka leštidla nebola pridaná	Na displeji sa objaví r1.
2	1 dávka je naplnená	Na displeji sa objaví r2.
3	2 dávky sú naplnené	Na displeji sa objaví r3.
4	3 dávky sú naplnené	Na displeji sa objaví r4.
5	4 dávky sú naplnené	Na displeji sa objaví r5.

ČASŤ 5: PLNENIE UMÝVAČKY

Najlepšie výsledky umývania dosiahnete pri dodržaní nasledujúcich pokynov.

Naplnenie umývačky riadu do kapacity uvedenej výrobcom pomáha šetriť vodu a energiu.

Ručné predumytie riadu vedie k zvýšeniu spotreby vody a energie a nie je odporúčané. Hrnčeky, poháre, príbory, malé taniere a misky môžete umiestniť do horného koša. Neumiestňujte vysoké poháre vedľa seba, nebudú stáť pevne a mohli by sa tak poškodiť.

Pri umiestnení vysokých pohárov opierajte je o okraje koša alebo police, nie o seba.

Všetok riad ako sú hrnčeky, poháre a hrnce do umývačky dávajte otvorom dole, aby sa v nich nehromadila voda.

Ak je umývačka vybavená košíkom na príbory, odporúčame ho používať, aby ste dosiahli najlepšie výsledky. Všetky veľké nádoby (hrnce, panvice, pokrievky, misy atď.) a všetky veľmi zašpinené kusy riadu umiestňujte na spodnej polici. Riad a príbory neumiestňujte jeden na druhý



VAROVANIE!

Uistite sa, že otáčaniu ramien s tryskami nič nebráni.



VAROVANIE!

Uistite sa, že po naplnení umývačky priehradka na čistiaci prostriedok nie je zablokovaná.

Odporúčanie

Pred umiestnením riadu do umývačky z neho odstráňte všetky hrubé zvyšky jedla. Umývačku spúšťajte zaplnenú.

POZNÁMKA:

Nevkladajte do umývačky príliš veľké množstvo riadu a riad umiestnite vždy do správnych košov.

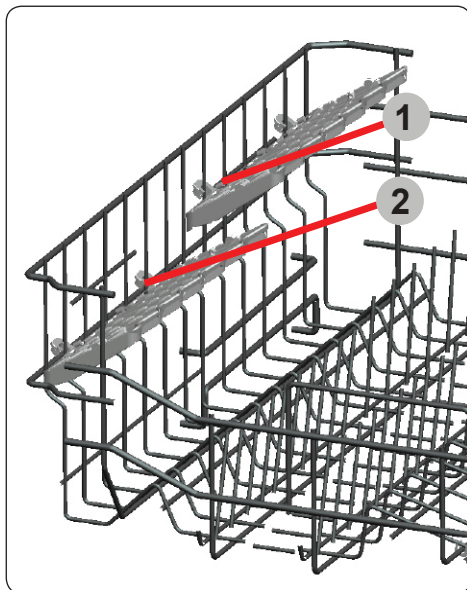


VAROVANIE!

Aby ste predišli možným zraneniam, nože s dlhou rukoväťou a ostrými hranami umiestnite dnom hore.

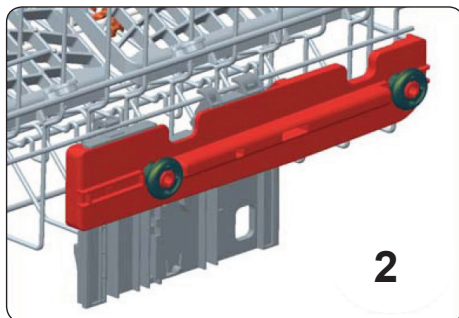
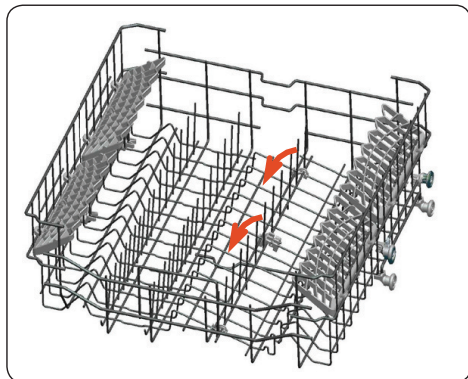
Rošt na riad

Do týchto roštov môžete vďaka nastaviteľnej výške umiestniť riadu rôznej veľkosti. Rošty môžete používať v 3 rôznych výškach.



Výškovo nastaviteľný stojan

Skladacie police v hornom koši umožniť umiestnenie veľkých predmetov napr ako hrnce a panvice. Každá sekcia môže byť zložené zvlášť. Skladacie regály môžu byť zdvihnúť, alebo zložiť.

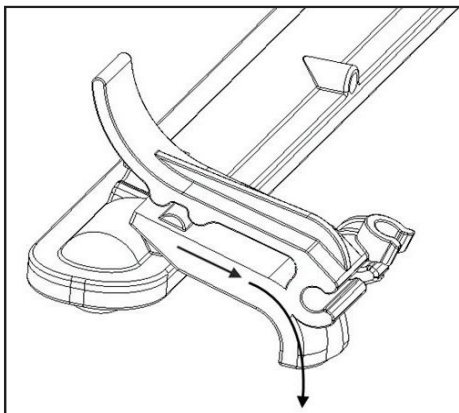
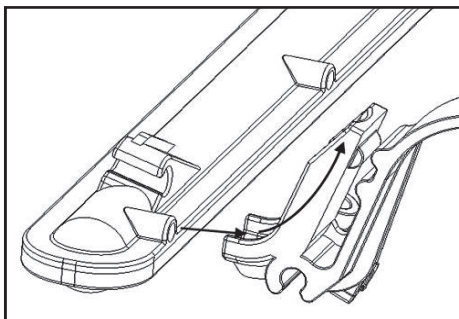
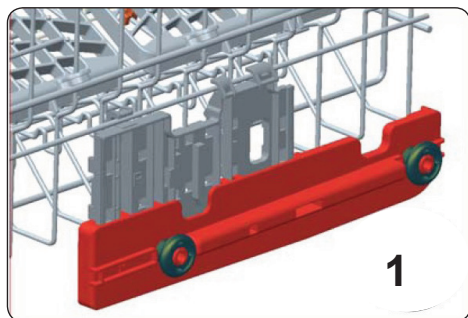


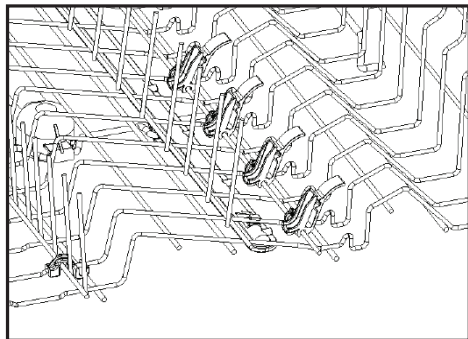
Funkcia priameho umývania

Táto funkcia sa používa na umývanie pohárov, fľaš atď. nasmerovaním vody smerom hore, zatiaľ čo je prístroj na hornom koši (zobrazený na obrázku) vo zvislej polohe. Pokiaľ je prístroj v horizontálnej polohe, voda smeruje dole, čo prispieva k umývaniu dolného koša.

Nastavenie výšky horného koša, keď je plný

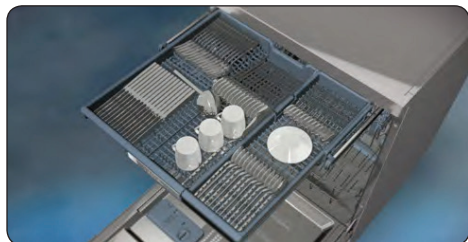
Mechanizmus nastavenia výšky koša na hornom koši vášho prístroja je navrhnutý tak, aby ste mohli nastaviť výšku vášho horného koša smerom nahor alebo nadol, bez jeho vybratia z vášho prístroja, keď je plný. Tak podľa potreby môžete vytvoriť veľké priestory v hornej alebo dolnej časti prístroja. Kôš vášho prístroja je v továrenskom nastavení nastavený do hornej polohy. Ak chcete zvýšiť svoj kôš, držte ho z oboch strán a vytiahnite ho smerom hore. Ak ho chcete znížiť, držte ho znova z oboch strán, a nechajte ho znížiť sa. Pri nastavovacom mechanizme naplneného koša sa uistite, že obe strany sú v rovnakej pozícii. (hore alebo dole)



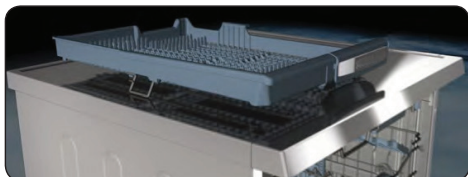


Horný kôš na príbory

Horný kôš na príbory je určený na vidličky, lyžice a nože, dlhé náčinie a malé veci



Keďže sa dá ľahko vybrať z prístroja, umožňuje po umytí vybrať riad z prístroja spolu s košom.



Horný kôš na príbory sa skladá z dvoch kusov; ak potrebujete v hornom koši vytvoriť priestor pre riad, môžete vybrať ľavú alebo pravú časť horného koša na príbory, aby ste získali viac priestoru.

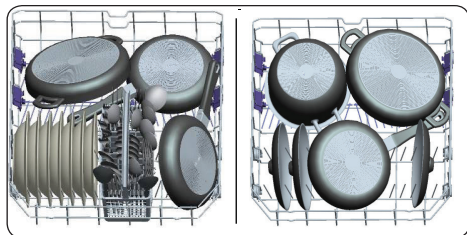


VAROVANIE!

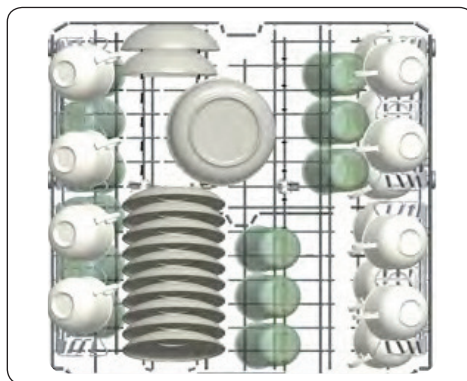
Nože a ostatné ostré predmety musíte umiestniť horizontálne do koša na príbory.

Alternatívne plnenie koša

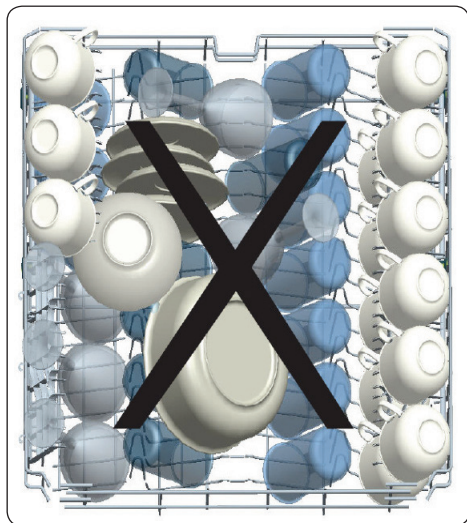
Spodný kôš



Horný kôš

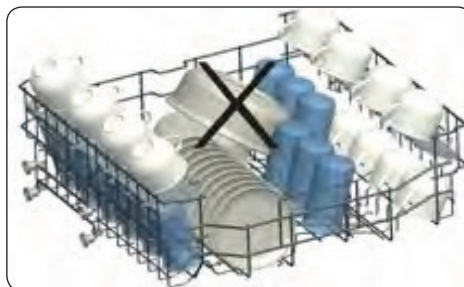
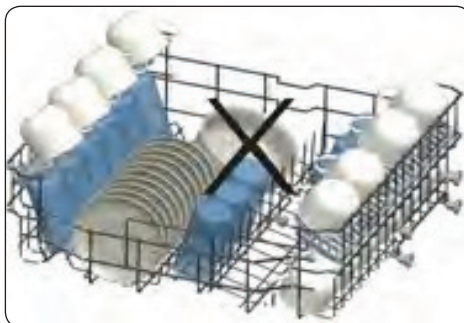
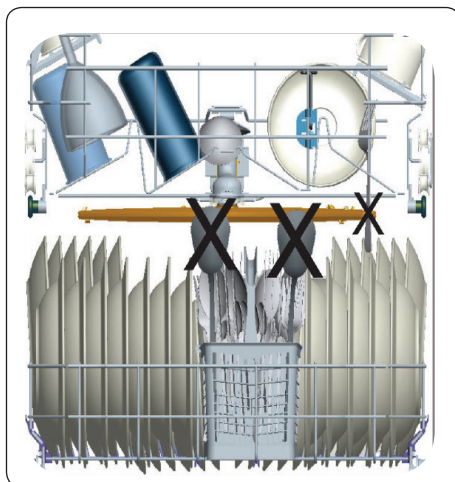


Chybné zaťaženie



Chybné zaťaženie

Nesprávne naplnenie umývačky môže spôsobiť zníženie umývacieho a sušiaceho výkonu. Aby ste dosiahli najlepšie výsledky, dodržujte prosím pokyny výrobcu.

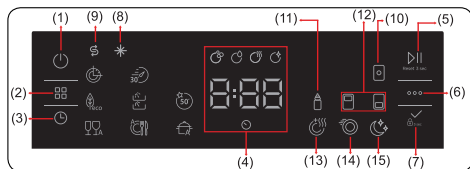


- Trvanie programu sa môže zmeniť podľa množstva riadu, teploty vody, teploty okolia a vybratých dodatočných funkcií.
- Hodnoty uvedené pre iné programy ako program eco sú len orientačné.
- Program Eco je vhodný na umývanie bežne znečistených riadov, ktorý je pri tomto použití najúčinnjší program z hľadiska kombinovanej spotreby energie a vody, a ktorý sa používa na splnenie súladu s právnymi predpismi na ekodizajn EÚ.
- Umývanie kuchynského riadu domácou umývačkou riadu zvyčajne spotrebúva menej energie a vody vo fáze používania než ručné umývanie, ak sa domáca umývačka riadu používa podľa pokynov výrobcu.
- Práškový čistiaci prostriedok používajte iba pri krátkych programoch.
- Krátke programy nezahŕňajú sušenie.
- Na uľahčenie sušenia odporúčame pootvoriť dvere po dokončení cyklu.
- Prístup k databáze výrobkov môžete získať načítaním QR kódu na energetickom štítku, v ktorej sa uvádzajú informácie o modeli.

POZNÁMKA:

Podľa nariadení 1016/2010 a 1059/2010 sa hodnoty spotreby energie Eco programu môžu líšiť. Táto tabuľka je v súlade s nariadeniami 2019/2022 a 2017/2022.

ČASŤ 7: OVLÁDACÍ PANEL



1. Tlačidlo Vyp./Zap.
2. Tlačidlo voľby programu
3. Tlačidlo Odložený štart
4. Kontrolka Zostávajúci čas
5. Tlačidlo Štart / Pauza
6. Tlačidlo Možnosti
7. Tlačidlo Výber
8. Kontrolka leštidla
9. Indikátor soli
10. Indikátor možnosti Tableta
11. Indikátor možnosti Extra hygiena
12. Indikátory možnosti Polovičná náplň
13. Indikátor možnosti Extra suché
14. Indikátor možnosti Extra rýchlo
15. Indikátor možnosti Extra ticho

1. Tlačidlo Vyp./Zap.

Spotrebič zapnete stlačením tlačidla Vyp./ Zap. Kontrolka Vyp./Zap. svieti, ak je spotrebič zapnutý.

2. Tlačidlo voľby programu Stlačením tlačidla

Program si vyberte vhodný program.

3. Tlačidlo Odložený štart

Môžete odložiť čas spustenia programu od 1–2 až 24 hodín stlačením tlačidla odloženého spustenia (3) pred spustením programu. Ak chcete zmeniť čas odloženia, stlačte najprv tlačidlo „Štart/Pauza“, a potom tlačidlo odloženého spustenia na zvolenie nového času odloženia. Na spustenie nového času odloženia stlačte tlačidlo Štart/Pauza. Ak chcete oneskorenie zrušiť, musíte prepnúť na 0 hodín pomocou oneskorenia, keď je spotrebič pozastavený.

4. Kontrolka Zostávajúci čas

Priebeh programu môžete sledovať pomocou kontroliek Umývanie, Oplachovanie, Sušenie, Koniec a kontrolku Zostávajúci čas. Ak svieti kontrolka Sušenie, spotrebič zostane pokojný na asi 15 – 50 minút vzhľadom na priebeh vybraného programu.

5. Tlačidlo Štart/Pauza

Na spustenie programu stlačte tlačidlo Štart/Pauza. Kontrolka umývania sa zapne a kontrolka zostávajúceho času zobrazí trvanie programu. Zároveň znázorňuje zostávajúci čas v priebehu programu. Ak otvoríte dverka svojho spotrebiča, keď program prebieha, trvanie programu sa pozastaví, a potom LED svetlo Štart/Pauza bliká.

6. Tlačidlo Možnosti

Možnosti môžete vyberať opakovaným stláčaním tlačidla Možnosti. Vybraná možnosť sa znázorňuje blikaním LED.

7. Tlačidlo Výber

Vyberte možnosť stlačením tlačidla Výber. LED na vybranú možnosť potom zostane svietiť.

8. Kontrolka leštidla

Ak je hladina leštidla nízka, indikátor upozornenia na nedostatok leštidla sa zapne a musíte naplniť priehradku leštidla.

9. Indikátor soli

V prípade nedostatku zmäkčovacej soli sa na naznačenie potreby doplnenia soli zapne indikátor upozornenia a mali by ste do priehradky doplniť sol.

10. Indikátor možnosti Tableta

Pri použití kombinovaného čistiaceho prostriedku obsahujúceho sol, leštidlo a extra funkcie, vyberte možnosť Tableta.

11. Indikátor možnosti Extra hygiena

Môžete vybrať možnosť Extra hygiena s cieľom dosiahnuť hygienickejší a čistejší proces umývania úpravou teploty vody a času umývania programu, ktorý ste si vybrali.

12. Indikátor možnosti Polovičná náplň

Výberom možnosti polovičnej náplne môžete vykonať tri druhy umývania: oba košíky, horný košík a spodný košík. Tieto možnosti sú ideálne na menšie náplne, čo umývačke umožňuje vykonať menšie umývanie so zníženou spotrebou.

13. Indikátor možnosti Extra suché

Ak vyberiete možnosť Extra suché, kroky extra ohrevu a sušenia sa pridávajú do vybraného programu, aby bol váš riad dôkladnejšie osušený.

14. Indikátor možnosti Extra rýchlo

Vyberte možnosť Extra rýchlo na skrátenie trvania programu a zaistenie hospodárnejšieho využitia vody.

15. Indikátor možnosti Extra ticho

Vyberte možnosť Extra tiché na šetrnejšiu a tichšiu prevádzku umývania. Táto možnosť znižuje hladinu akustického tlaku umývania.

POZNÁMKA:

Ak sa pri poslednom programe umývania použila doplňujúca možnosť, táto možnosť zostane aktívna aj pri ďalšom vybratí programu, pokiaľ sa spotrebič nevypne. Ak chcete zrušiť túto možnosť pri novom, vybratí programe, stlačte tlačidlo možnosti (6), kým sa nevypne kontrolka na tlačidle.

POZNÁMKA:

Detská poistka sa aktivuje/deaktivuje stlačením tlačidla výberu (7) na asi 3 sekundy. Ak je aktivovaná, všetky LED svetlá blikajú a „CL“ sa raz zobrazí na kontrolke Zostávajúci čas (4).

POZNÁMKA:

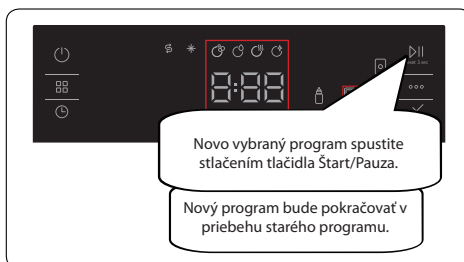
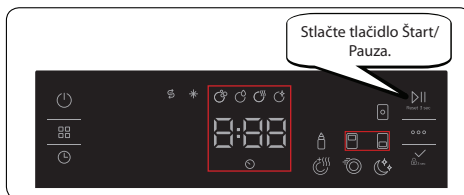
Ak chcete niektorý program uložiť ako obľúbený, súčasne stlačte tlačidlá Programy (2) a Odloženie (3). Ak chcete vybrať obľúbený program, stlačte a podržte tlačidlo Programy (2) na 3 sekundy.

POZNÁMKA:

Ak spotrebič prepnete do polohy vypnutia po výbere času oneskorenia a program sa spustil, čas oneskorenia sa zruší.

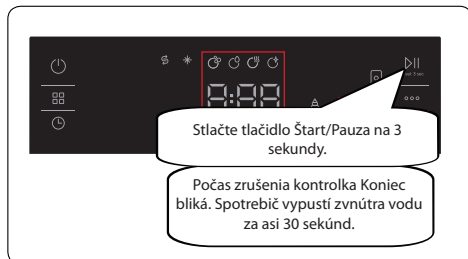
Zmena programu

Ak chcete zmeniť program, keď je spotrebič už v prevádzke.

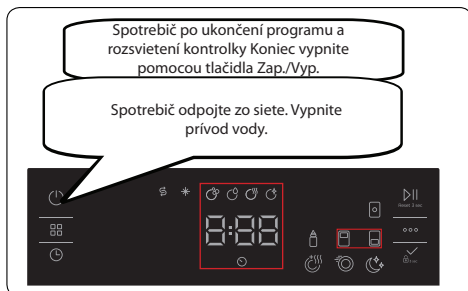


Zrušenie programu

Ak chcete program zrušiť počas prevádzky.



Vypnutie spotrebiča



POZNÁMKA:

Neotvárajte dvere, kým program neskončí.

POZNÁMKA:

Na konci programu umývania môžete nechať dvere svojho spotrebiča pootvorené na urýchlenie sušenia.

POZNÁMKA:

Ak sa dvere spotrebiča otvoria alebo pri výpadku prúdu počas umývania bude program pokračovať po zatvorení dverí alebo obnovení prúdu.

Režim úspory energie

Ak chcete spustiť alebo vypnúť režim úspory energie, postupujte podľa týchto krokov:

1. Otvorte dvere a súčasne na 3 sekundy stlačte tlačidlá Program (2) a Možnosť (6).
2. Po 3 sekundách spotrebič zobrazí posledné nastavenie, „IL1“ alebo „IL0“.
3. Ak je spustený režim úspory energie, svieti „IL1“. V tomto režime sa na 4 minúty vypnú vnútorné svetlá po otvorení dverí a spotrebič sa vypne po 15 minútach žiadnej aktivity v záujme úspory energie.
4. Ak je režim úspory energie vypnutý, na displeji bude zobrazené „IL0“. Ak sa vypne režim úspory energie, vnútorné svetlá budú zapnuté počas otvorenia dverí a spotrebič bude stále zapnutý, pokiaľ ho používateľ nevypne.
5. Ak chcete uložiť vybrané nastavenie, spotrebič vypnite.
Pri výrobnom nastavení je režim úspory energie aktívny.

ČASŤ 8: ČISTENIE A ÚDRŽBA

Čistenie vašej umývačky riadu je dôležité na udržanie minimálnej životnosti.

Uistite sa, či je nastavenie zmäkčovania vody (ak je dostupné) správne a či sa používa správne množstvo čistiaceho prostriedku na zamedzenie hromadeniu vodného kameňa. Priehradku na soľ naplňte, keď sa rozsvieti snímač soli.

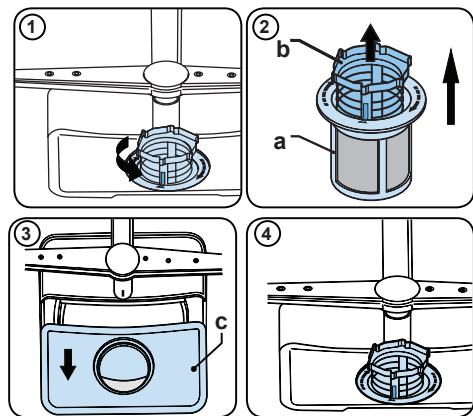
V umývačke sa časom môže nahromadiť masť a vodný kameň. V takom prípade:

- Naplňte priehradku na umývací prostriedok, ale nekladajte žiaden riad. Vyberte program, ktorý používa vysokú teplotu a funguje pri prázdnej umývačke riadu. Ak umývačku neumyje dostatočne, použite umývací prostriedok určený na použitie v umývačkách riadu.
- V záujme predĺženia životnosti vašej umývačky riadu spotrebič čistite pravidelne každý mesiac.
- Vlhkou handričkou pravidelne utierajte tesnenie dvierok na odstránenie usadených zvyškov alebo cudzích predmetov.

Filtere

Filtere a ramená s tryskami čistite minimálne raz týždenne. Ak v jemných a hrubých filtroch zostanú nejaké zvyšky potravín alebo cudzie predmety, vyberte ich a dôkladne vyčistite vodou.

- a) Mikrofilter b) Filter hrubých častíc
c) Kovový filter

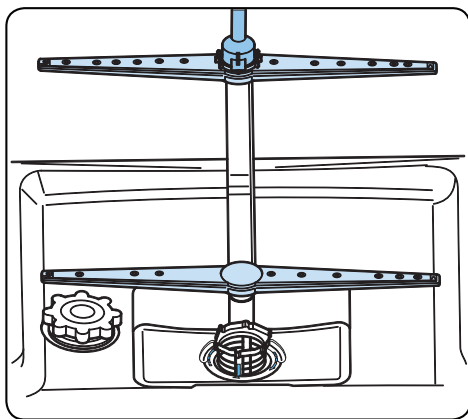


Na odobratie a vyčistenie kombinácie filtrov ju otočte proti smeru hodinových ručičiek a odoberte ju zdvihnutím nahor (1). Hrubý filter vytiahnite z mikrofiltra (2). Potom potiahnite a odoberte kovový filter (3). Filter opláchnite dostatočným množstvom vody, pokiaľ sa zvyšky neočistia. Odmontujte filtre. Vymeňte filtračnú vložku a otočte ju v smere hodinových ručičiek (4).

- Umývačku riadu nikdy nepoužívajte bez filtra.
- Nesprávne nasadenie filtra zníži účinnosť umývania.
- Čisté filtre sú nevyhnutné na riadnu prevádzku spotrebiča.

Ramená s tryskami

Dbajte na to, aby otvory trysiek neboli upchaté a na ramená s tryskami sa neprilepil potravinový odpad ani cudzie predmety. Ak sa niektorá z trysiek upchala, vyberte rameno a vyčistite ho pod tečúcou vodou. Na odobratie horného ramena s tryskami odkrúťte skrutku, ktorá ho drží na mieste, otočením v smere hodinových ručičiek a potiahnutím nadol. Uistite sa, či je matica pri opakovanom nasadení horného ramena na miesto riadne utiahnutá.



Vypúšťacie čerpadlo

Veľké zvyšky jedla alebo cudzie predmety, ktoré sa zachytili na filtroch, môžu zablokovat' čerpadlo odpadovej vody. Oplachovacia voda bude potom nad filtrom.

Varovanie: nebezpečenstvo porezania!

Pri čistení čerpadla na odpadovú vodu dbajte na to, aby ste sa nezranili na kúskoch skla alebo špicatých nástrojoch.

V takom prípade:

1. Najprv spotrebič vždy odpojte od zdroja napájania.
2. Vyberte koše.
3. Vyberte filtre.
4. Vyberte vodu, prípadne použite špongiu.
5. Skontrolujte priestor a vyberte všetky cudzie predmety.
6. Namontujte filtre.
7. Koše vložte späť.

ČASŤ 9: ODSTRÁNENIE MOŽNÝCH PROBLÉMOV

Ak jedna z kontroliek programu svietí a kontrolka Štart / Pauza sa vypína a zapína

Dvere spotrebiča sú otvorené, zatvorte ich.

Ak sa program nespustí

- Skontrolujte, či je zástrčka zapojená do siete.
- Skontrolujte poistky.
- Skontrolujte, či je kohútik na prívode vody otvorený.
- Skontrolujte, či ste zavreli dvere spotrebiča.
- Skontrolujte, či ste spotrebič vypli stlačením tlačidla Zap. / Vyp.
- Skontrolujte, či nie je filter na prívode vody a filtre v spotrebiči zanesené.

Ak kontrolky „Umývať / Sušiť“ a „Koniec“ blikajú

- Aktívne alarm - pretekaniu vody
- Vypnite prívod vody a kontaktujte autorizovaný servis. Ak kontrolky nezhasnú po ukončení programu Tlačidlo Zap. / Vyp. je stále spustené.

Ak v priestore na čistiaci prostriedok zostanú zvyšky čistiaceho prostriedku

Čistiaci prostriedok bol pridaný do priestoru na čistiaci prostriedok, ktorý bol mokrý.

Ak na konci programu zostane v spotrebiči voda

- Odtoková hadica je upchatá.
- Filtre sú upchaté.
- Program sa ešte nedokončil.

Ak sa spotrebič zastaví počas umývania

- Výpadok napájania.
- Zlyhanie prívodu vody.
- Program môže byť v pohotovostnom režime.

Ak sa počas umývania ozýva hluk a spotrebič sa trasie

- Riad je vložený nesprávne.
- Ramená s tryskami naráža do riadu.

Ak na riad zostanú zvyšky jedla

- Riad je do umývačky vložený nesprávne, trieštivá voda sa nedostala na konkrétne miesta.
- Košík je preplnený.
- Riad sa nakláňa.
- Bolo pridané malé množstvo čistiaceho prostriedku.
- Bol zvolený nevhodný program, skôr slabý.
- Ramená s tryskami sú upchatá zvyšky jedla.
- Filtre sú upchaté.
- Filtre boli nesprávne nasadené.
- Upchatý odtok.

Ak na riade zostávajú belavé škvrny

- Bolo použité malé množstvo čistiaceho prostriedku.
- Nastavenie dávkovania na oplachovanie bolo nastavené na veľmi nízku úroveň.
- Nebola použitá žiadna špeciálna soľ, napriek vysokej tvrdości vody.
- Nastavenie systému na zjemňovanie je na veľmi nízkej úrovni.
- Viečko priestoru na soľ nie je dobre zatvorené.

Ak riad neuschne

- Bol zvolený program bez sušenia.
- Oplachovanie bolo nastavené príliš nízko.
- Riad bol vybratý príliš rýchlo.

Ak na riad zostáva hrdza

- Kvalita nerezového riadu je nedostačujúca.
- Vysoký obsah soli vo vode.
- Viečko priestoru na soľ nie je dobre zatvorené.
- Príliš veľa soli sa pri plnení rozstrekne po stranách a do umývačky.
- Nesprávne uzemnenie.

Ak problém pretrváva aj po vykonaní kontrol alebo v prípade akéhokoľvek zlyhania, ktoré nie je popísané vyššie, kontaktujte autorizovaný servis.

AUTOMATICKÉ UPOZORNENIE NA CHYBY A ČO ROBIŤ

KÓD CHYBY	POTENCIÁLNA CHYBA	ČO ROBIŤ
FF	Porucha systému na prívod vody	Uistite sa, či je ventil prívodu vody otvorený a voda prúdi.
		Odpojte prívodovú hadicu od ventilu a vyčistite filter v hadici.
		Ak chyba pretrváva, kontaktujte servis.
F5	Porucha tlakového systému	Obráťte sa na servis.
F3	Nepretržitý prívod vody	Zatvorte ventil a obráťte sa na servis.
F2	Vodu nie je možné vypustiť	Hadica na vypustenie vody a filtre môžu byť upchaté.
		Zrušte program.
		Ak chyba pretrváva, kontaktujte servis.
F8	Chyba ohrevu	Obráťte sa na servis.
F1	Pretekánie	Spotrebič odpojte a zatvorte ventil.
		Obráťte sa na servis.
FE	Chybná elektronická karta	Obráťte sa na servis.
F7	Prehrievanie	Obráťte sa na servis.
F9	Chyba umiestnenia prepážky	Obráťte sa na servis.
F6	Poškodený senzor ohrievania	Obráťte sa na servis.
HI	Porucha vysokého napätia	Obráťte sa na servis.
LO	Porucha nízkeho napätia	Obráťte sa na servis.

Postup montáže a opravy by mal vždy vykonávať autorizovaný servisný pracovník s cieľom zamedziť možným rizikám. Výrobca nezodpovedá za škody, ktoré vyplývajú z postupov vykonaných neoprávnenými osobami. Opravy môže vykonávať len technik. Ak sa vyžaduje výmena komponentu, dbajte na použitie originálnych náhradných dielov.

Nesprávne opravy alebo použitie neoriginálnych náhradných dielov môže spôsobiť značné poškodenie a spôsobiť používateľovi značné nebezpečenstvo.

Kontaktné údaje na zákaznícku službu môžete nájsť na zadnej strane tohto dokumentu.

Hlavné funkčné originálne náhradné diely môžete podľa príslušného nariadenia o ekodizajne získať od zákazníckej služby počas obdobia aspoň 10 rokov od dátumu, kedy bol spotrebič uvedený na trh Európskeho hospodárskeho priestoru.

ČASŤ 10: INFORMAČNÝ LIST

Informačný list

PHILCO 

DELEGOVANÉ NARIADENIE KOMISIE (EÚ) 2019/2016

Názov alebo ochranná známka výrobcu: PHILCO

Adresa výrobcu: U Sanitasu 1621, Říčany 251 01, CZ

Identifikačná značka modelu: PDI 1568 DLT / PDI 1568 DLTDX

Základná špecifikácia: Umývačka riadu

Parameter	Hodnota	Parameter	Hodnota	
Menovitá kapacita (v ks)	15	Rozmery v cm	Výška	85
			Šírka	60
			Hĺbka	60
Index energetickej účinnosti EEL_w	49,9	Trieda energetickej účinnosti *	D	
Trieda účinnosti umývania	1,13	Trieda účinnosti sušenia	1,07	
Spotreba energie v kWh [za cyklus], pri eko programe s využitím plnenia studenej vody. Skutočná spotreba energie bude závisieť od používania spotrebiča.	0,861	Spotreba vody v litroch [na cyklus], na základe eko programu. Skutočná spotreba vody bude závisieť od toho, ako sa spotrebič používa a od tvrdosti vody.	9	
Trvanie programu (h:min)	4:30	Typ	Voľne stojaci	
Akustický zvuk emisie hluku (dB(A) re 1 pW)	39	Trieda akustických emisií hluku	B	
Spotreba po vypnutí (W)	0,5	Spotreba v pohotovostnom režime (W)	1	
Spotreba v režime odloženého štartu (W) (ak je zvolený)	1	Spotreba v sieťovom pohotovostnom režime (W) (ak je zvolený)	-	

Minimálna doba trvania záruky ponúkanej výrobcom: 24 mesiacov

Dodatočné informácie:

Webový odkaz na web výrobcu, kde sú informácie uvedené v bode 6 prílohy II nariadenia Komisie (EÚ) 2019/2022 nájdené: www.philco.cz

* A (najvyššia účinnosť) až G (najnižšia účinnosť)

TECHNICKÉ INFORMÁCIE

Technické informácie sa nachádzajú na typovom štítku na vnútornej strane spotrebiča a na energetickom štítku. QR kód, na dodanom energetickom štítku, obsahuje odkaz na registráciu spotrebiča v databáze EÚ Eprel.

INFORMÁCIE O TESTOVANÍ

Dodané zariadenie je v súlade s EcoDesign a EN60436:2020. Požiadavky na prístup vzduchu pre správnu prevádzku prístroja, minimálna vzdialenosť od steny a rozmery prístroja, sú súčasťou tohto návodu. V prípade ďalších otázok sa obráťte na výrobcu.

STAROSTLIVOSŤ O ZÁKAZNÍKA A SERVIS

Vždy používajte iba originálne náhradné diely.

Označenie modelu a sériové číslo nájdete na typovom štítku. Polohu typového štítku je možné zmeniť bez predchádzajúceho upozornenia.

Originálne náhradné diely pre niektoré konkrétne komponenty sú k dispozícii minimálne 7 alebo 10 rokov. Závisí to od typu komponentu a od uvedenia posledného spotrebiča daného modelu na trh.

Pri kontaktovaní nášho autorizovaného servisu majte k dispozícii modelové označenie, sériové číslo a popis chyby.

Pre stiahnutie dokumentov navštívte www.philco.sk.

Pre nahlásenie poruchy a získanie ďalších servisných informácií navštívte www.philco.sk/servisne-miesta.

Zmeny vyhradené bez predchádzajúceho upozornenia.

POKYNY A INFORMÁCIE TÝKAJÚCE SA LIKVIDÁCIE POUŽITÝCH OBALOVÝCH MATERIÁLOV

Obalové materiály zlikvidujte na verejnom mieste pre likvidáciu odpadu.

LIKVIDÁCIA POUŽITÝCH ELEKTRICKÝCH A ELEKTRONICKÝCH SPOTREBIČOV



Význam symbolu na výrobku, jeho príslušenstve alebo obale znamená, že s týmto výrobkom nesmie byť zaobchádzané ako s komunálnym odpadom. Tento výrobok zlikviduje na príslušnom zbernom mieste pre recykláciu odpadu z elektrických a elektronických zariadení. Poprípade je možné v niektorých štátoch Európskej únie alebo iných európskych štátoch vrátiť svoje výrobky miestnemu predajcovi, v prípade kúpy podobného nového výrobku. Správna likvidácia tohto výrobku pomôže ušetriť cenné prírodné zdroje a pomôcť pri prevencii prípadného negatívneho vplyvu na životné prostredie a ľudské zdravie, ku ktorému by mohlo dôjsť v dôsledku nesprávnej likvidácie odpadu. Podrobnejšie informácie získate od miestneho úradu alebo v najbližšom stredisku pre zber odpadu. Nesprávna likvidácia tohto typu odpadu môže podliehať vnútroštátnym predpisom o pokutách.

Pre podnikateľské subjekty v Európskej únii

Ak chcete zlikvidovať elektrické alebo elektronické zariadenie, vyžiadajte si potrebné informácie od svojho predajcu alebo dodávateľa.

Likvidácia v iných štátoch mimo Európskej únie

Ak chcete zlikvidovať tento výrobok, vyžiadajte si nevyhnutné informácie o správnom spôsobe likvidácie od miestnych úradov alebo svojho predajcu.



Tento výrobok spĺňa všetky základné požiadavky nariadenia EÚ, ktoré sa naň vzťahujú.

Zmeny v texte, dizajne a technických údajoch sa môžu vyskytnúť bez predchádzajúceho upozornenia a vyhradujeme si právo vykonať tieto zmeny.

Originál tohto návodu na obsluhu je v českom jazyku.

Zmywarka do naczyń

INSTRUKCJA OBSŁUGI

PHILCO



Famous for Quality the World Over


PDI 1568 DLT
PDI 1568 DLTDX

Drogi Kliencie,
Dziękujemy za zakup produktu PHILCO. Aby urządzenie działało dobrze, przeczytaj wszystkie instrukcje zawarte w niniejszej instrukcji obsługi.

SPIIS TREŚCI

CZĘŚĆ 1: WSKAZÓWKI DOTYCZĄCE BEZPIECZEŃSTWA	2
CZĘŚĆ 2: INSTALACJA URZĄDZENIA	5
CZĘŚĆ 3: DANE TECHNICZNE	8
CZĘŚĆ 4: PRZED UŻYCIEM URZĄDZENIA	9
CZĘŚĆ 5: WKŁADANIE NACZYŃ DO ZMYWARKI	13
CZĘŚĆ 6: TABELA PROGRAMÓWE	17
CZĘŚĆ 7: PANEL STEROWANIA	19
CZĘŚĆ 8: CZYSZCZENIE I KONSERWACJA	22
CZĘŚĆ 9: ROZWIĄZANIE PROBLEMÓW	24
CZĘŚĆ 10: ARKUSZ INFORMACYJNY	27

CZĘŚĆ 1: WSKAZÓWKI DOTYCZĄCE BEZPIECZEŃSTWA

 **OSTRZEŻENIE!** Używając zmywarki do naczyń przestrzegaj poniższych zaleceń:


Tego urządzenia mogą używać dzieci powyżej 8 roku życia oraz osoby o obniżonych zdolnościach fizycznych, czuciowych lub mentalnych lub o niedostatecznym doświadczeniu i wiedzy, jeśli są pod nadzorem lub zostały pouczone o użytkowaniu urządzenia w bezpieczny sposób, i rozumieją ewentualne niebezpieczeństwo. Dzieci nie mogą się bawić urządzeniem.

Czyszczenia i konserwacji nie mogą wykonywać dzieci bez nadzoru.

Jeśli przedłużacz jest uszkodzony, jego wymianę zleć serwisowi, aby zapobiec powstaniu niebezpiecznej sytuacji. Zakazane jest używanie urządzenia z uszkodzonym przewodem zasilania.

Drzwiczki nie powinny pozostawać otwarte, ponieważ grozi to ryzykiem potknięcia się o nie.

Podczas wkładania naczyń do zmywarki:

-  **OSTRZEŻENIE:** Noże i inne narzędzia z ostrymi czubkami i ostrzami należy włożyć do kosza ostrzem w dół lub ułożyć w pozycji poziomej.
- Ostre przedmioty układaj tak, aby nie mogły uszkodzić uszczelki drzwiczek.

- Noże i inne podobne ostre przedmioty zawsze wkładaj rączką do góry, aby nikt nie zranił się ostrzem.
- Nie myj w zmywarce plastikowych przedmiotów, jeśli nie są oznaczone przez producenta jako odpowiednie do zmywarki. Obecność plastikowych naczyń w zmywarce wpływa na gorszy efekt procesu suszenia. W przypadku plastikowych przedmiotów, które nie są oznaczone jako odpowiednie do zmywarki, kieruj się zaleceniami ich producenta.

To urządzenie jest przeznaczone do użytku domowego oraz w podobnych pomieszczeniach, takich jak:

- kuchnie pracownicze w sklepach, biurach i innych placówkach robotniczych;
- w rolnictwie;
- przez gości w hotelach, motelach i podobnych obiektach noclegowych;
- w obiektach noclegowych z wydawaniem śniadań.

- Na drzwiczki i kosz na naczynia nie wolno siadać, stawać a podczas obsługi nie należy używać siły.
- Nie umieszczaj na urządzeniu żadnych ciężkich przedmiotów i nie stawaj na otwarte drzwiczki. Urządzenie mogłoby się przewrócić do przodu.

Używaj tylko środków czyszczących i nabłyszczających przeznaczonych do zmywarki do naczyń. Nigdy nie używaj mydła, środków piorących ani płynów do ręcznego mycia naczyń.

Przechowuj z dala od zasięgu dzieci środki myjące i nabłyszczające, nie pozwól też dzieciom zbliżyć się do otwartych drzwiczek zmywarki, ponieważ wewnątrz mogą pozostać resztki środków, które są alkaliczne i mogą być bardzo niebezpieczne.

Urządzenie, przewód zasilania i wtyczka nie mogą leżeć, dotykać lub być zanurzone w wodzie ani żadnej innej cieczy, aby nie doszło do porażenia prądem elektrycznym.

Gdy przewód zasilania jest uszkodzony, musi zostać wymieniony przez producenta, serwis lub osobę o podobnych kwalifikacjach, aby nie zagrozić bezpieczeństwu osób.

Urządzenie nie może stać na przewodzie zasilania.

Urządzenie podłącz do dopływu wody za pomocą nowego węża, nigdy nie używaj w tym celu używanych węży.

Zlikwiduj materiały opakowania w odpowiedni sposób.

Podczas instalacji przewód zasilania nie może być nadmiernie lub w niebezpieczny sposób wyginany lub naciskany.

Elementy panelu sterowania nie służą do zabawy.

Upewnij się, że dywan nie blokuje otworów w dolnej części urządzenia.

Zmywarki używaj jedynie w celach, do jakich została przeznaczona, czyli do mycia naczyń.

Zmywarka jest przeznaczona jedynie do użytku w pomieszczeniach.

UWAŻNIE PRZECZYTAJ I STOSUJ SIĘ DO WSKAZÓWEK DOTYCZĄCYCH BEZPIECZEŃSTWA ORAZ ZACHOWAJ JE DO UŻYTKU W PRZYSZŁOŚCI.

CZĘŚĆ 2: INSTALACJA URZĄDZENIA

Ustawienie urządzenia

Przy wyborze miejsca ustawienia urządzenia wziąć pod uwagę miejsce dogodne do wkładania i wyjmowania naczyń.

Nie ustawiać urządzenia w pomieszczeniu, w którym temperatura pokojowa może spaść poniżej 0°C.

Przed ustawieniem wyjąć urządzenie z opakowania, stosując się do podanych na opakowaniu zaleceń.

Ustawić urządzenie w pobliżu zaworu wody użytkowej i odpływu. Umieścić urządzenie biorąc pod uwagę to, że po wykonaniu podłączeń nie będzie możliwa ich zmiana.

Nie przesuwać ani też nie podnosić urządzenia, trzymając za drzwiczki lub panel.

Zostawić odstęp ze wszystkich stron urządzenia, aby można było je przesuwać podczas czyszczenia.

Podczas ustawiania urządzenia upewnić się, że wąż doprowadzający i odprowadzający wodę nie są zagięte. Zwrócić również uwagę, aby urządzenie nie stało na kablu elektrycznym.

Wyregulować nóżki urządzenia tak, aby mogło ono stać poziomo i stabilnie. Prawidłowe ustawienie urządzenia zapewnia bezproblemowe otwieranie i zamykanie jego drzwiczek.

Jeżeli drzwiczki urządzenia nie zamykają się prawidłowo, sprawdzić, czy urządzenie stoi stabilnie na podłożu, jeżeli nie, wyregulować nóżki i zapewnić stabilność położenia.

Podłączenie wody

Sprawdzić, czy domowa instalacja wodociągowa nadaje się do podłączenia zmywarki. Zaleca się również zainstalowanie filtra na wlocie rury do domu lub mieszkania, aby uniknąć uszkodzeń urządzenia spowodowanych przez różnego rodzaju zanieczyszczenia (piasek, glina, rdza, itp.) znajdujące się niekiedy w sieci wodociągowej lub instalacji wewnętrznej oraz zapobiec takim problemom jak zółknięcie i powstawanie osadów po myciu.

Wąż doprowadzający wodę



Wąż doprowadzający wodę

Nie używać węża doprowadzającego wodę ze starej zmywarki, jeżeli taki mamy. Zamiast tego zastosować nowy wąż doprowadzający dostarczony z urządzeniem. W przypadku podłączenia nowego lub długo nieużywanego węża doprowadzającego wodę do urządzenia przepłukać go wodą przed wykonaniem podłączenia. Podłączyć wąż doprowadzający wodę bezpośrednio do wylotu wody z kranu. Podłączyć wąż doprowadzający wodę bezpośrednio do wylotu wody z kranu. Ciśnienie wody na wylocie z kranu powinno wynosić, co najmniej 0,03 MPa, a maksymalnie 1 MPa. Jeśli ciśnienie wody jest wyższe niż 1 MPa, zamontować pomiędzy kranem i zmywarką nadmiarowy zawór ciśnieniowy.

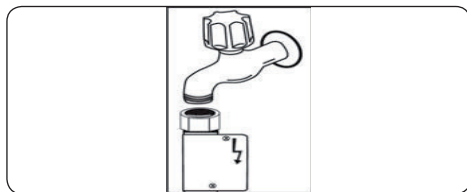
Po wykonaniu podłączenia odkręcić kran i sprawdzić szczelność. Dla bezpieczeństwa urządzenia zawsze zakręcać wylot wody z kranu po zakończeniu każdego cyklu zmywania.

Podłączenie wody:

Należy zapoznać się z nadrukiem na węży doprowadzającym wodę! Jeśli na modelu oznaczono 25°, to maks. temperatura wody może wynosić maksymalnie 25°C (zimna).

Pozostałe modele:

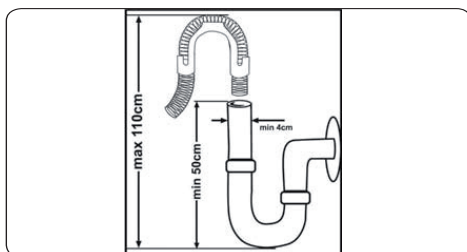
Preferuje się zimną wodę; maks. temperatura ciepłej wody 60°C.



UWAGA!

W niektórych modelach stosowane jest zabezpieczenie przed wyciekami wody, AquaStop. W przypadku stosowania AquaStop, występują niebezpieczne napięcia. Nie przecinać węża z AquaStop. Nie pozwolić na jego zagięcie ani też skręcenie.

Wąż odprowadzający wodę

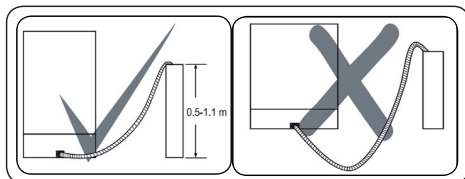


Wąż odprowadzający wodę może być podłączony albo bezpośrednio do otworu odprowadzającego wodę albo dokręćcasofonu. Zapomocąspecjalnej wygiętej rurki (jeśli jest dostępna), woda może być odprowadzana bezpośrednio do zlewu, zaczepiając wygiętą rurkę na krawędzi zlewu. Połączenie to powinno znajdować się co najmniej 50 cm i maksymalnie 110 cm od płaszczyzny podłogi.



OSTRZEŻENIE:

Gdy jest stosowany wąż odprowadzający dłuższy niż 4 m, naczynia mogą pozostawać brudne. W takim przypadku nasza firma nie ponosi za to odpowiedzialności.



Podłączenie elektryczne



OSTRZEŻENIE!

Wtyczkę urządzenia z uziemieniem podłączyć do uziemionego gniazdka sieciowego o odpowiednim napięciu i natężeniu prądu. Przy braku instalacji uziemiającej, musi zostać ona wykonana przez elektryka z uprawnieniami. W przypadku używania zmywarki bez zainstalowanego uziemienia, nasza firma będzie zwolniona z odpowiedzialności za wszelkie szkody, jakie mogą wystąpić.



Wtyczka urządzenia może być wyposażona w bezpiecznik 13 A, w zależności od kraju docelowego (na przykład Wielka Brytania, Arabia Saudyjska).



Urządzenie jest dostosowane do napięcia 220–240 V. Jeżeli napięcie w sieci zasilającej wynosi 110 V, podłączyć pomiędzy siecią i urządzeniem, transformator 110/220 V o mocy 3000 W. Urządzenia nie wolno podłączać do sieci elektrycznej podczas ustawiania.



Zawsze stosować wtyczkę dostarczoną razem z urządzeniem.




Praca urządzenia przy niskim napięciu spowoduje pogorszenie się jakości mycia.




Kabel zasilający urządzenia powinien być wymieniany wyłącznie przez autoryzowany serwis lub uprawnionego elektryka. Nieprzestrzeganie tego może prowadzić do wypadków.



Dla bezpieczeństwa zawsze wyciągać wtyczkę z gniazdka sieciowego po zakończeniu programu mycia.

 Ze względu na zagrożenie porażeniem prądem elektrycznym nie wyciągać wtyczki z gniazdka sieciowego mokrymi rękami.

 Podczas odłączania urządzenia od elektrycznej sieci zasilającej zawsze ciągnąć za wtyczkę. Nigdy nie ciągnąć za sam kabel.

Ze względu na zagrożenie porażeniem prądem elektrycznym nie wyciągać wtyczki z gniazdka sieciowego mokrymi rękami.

Podczas odłączania urządzenia od elektrycznej sieci zasilającej zawsze ciągnąć za wtyczkę. Nigdy nie ciągnąć za sam kabel.

Umieszczanie urządzenia pod blatem

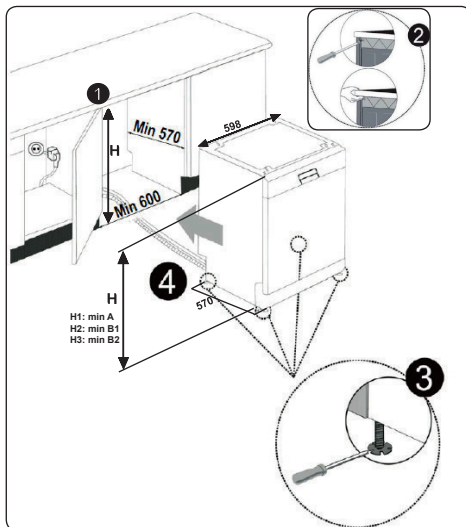
Jeśli zmywarka ma być umieszczona pod blatem, sprawdzić, czy jest pod nim wystarczająco dużo miejsca i czy okablowanie i rury są do tego odpowiednie. **(1)** Jeśli zdecydujesz, że miejsce pod blatem nadaje się do wstawienia zmywarki, zdejmij blat, jak pokazano na rysunku. **(2)**

OSTRZEŻENIE!

Podpora blatu, pod którego spodem znajdzie się zmywarka po zdjęciu górnej pokrywy, musi być stabilna, aby urządzenie się nie chwiało.

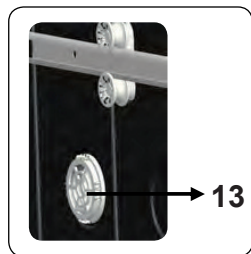
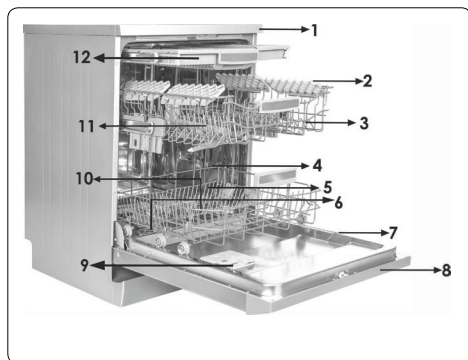
Aby zdjąć górną pokrywę urządzenia, odkręcić śruby, które ją przytrzymują. Znajdują się one w tylnej części urządzenia. Następnie wypchnąć panel przedni do tyłu, 1 cm od przedniej strony, i podnieść go.

Wyreguluj nóżki zmywarki odpowiednio do nachylenia podłogi. **(3)** Wsadź zmywarkę wsuwając ją pod blat, unikając zgniecenia i zgięcia węży. **(4)**



	A	B	
	Wszystkie Wyroby	B ₁	B ₂
Wysokość	820 mm	830 mm	835 mm

CZĘŚĆ 3: DANE TECHNICZNE



2. Koszyk górny ze stelażem
3. Górne ramię natryskowe
4. Koszyk dolny
5. Dolne ramię natryskowe
6. Filtry
7. Tabliczka znamionowa
8. Panel sterowania
9. Dozownik detergentu i środka nabyłszczającego
10. Dozownik soli
11. Zatrząsk koszyka górnego
12. Górny koszyk na sztućce
13. Mechanizm Turbo suszenia:
Ten system zapewnia wydajniejsze suszenie naczyń.

DANE TECHNICZNE

Ładowość	15 standardowych kompletów naczyń
Wymiary (mm)	
Wysokość	850 (mm)
Szerokość	598 (mm)
Głębokość	598 (mm)
Waga netto	53,600 kg
Przyłącze elektryczne	220 - 240 V / 50 Hz
Moc znamionowa	1900 W
Moc grzałki	1800 W
Moc pompy	100 W
Moc pompy odpływowej	30 W
Ciśnienie wody	0,03 MPa (0,3 bar) 1 MPa (10 bar)
Natężenie	10 (A)

Zgodność z normami i danymi z badań lub Deklaracją zgodności UE

Ten produkt spełnia wymogi wszystkich odpowiednich dyrektyw UE i zharmonizowanych norm związanych z oznakowaniem CE.

Ważna informacja dla użytkownika: Aby otrzymać elektroniczną wersję tej instrukcji, należy napisać na następujący adres:

„dishwasher@standardtest.info”. W e-mailu proszę podać nazwę modelu i numer seryjny (20 cyfr), które znajdują się na drzwiczkach urządzenia.

CZĘŚĆ 4: PRZED UŻYCIEM URZĄDZENIA

Przygotowanie zmywarki do pierwszego użycia

- Należy się upewnić, że parametry zasilania w energię elektryczną i wodę odpowiadają wartościom podanym w instrukcji instalacji zmywarki.
- Usunąć wszystkie materiały opakowaniowe z wnętrza zmywarki.
- Ustawić poziom zmiękczenia wody.
- Napełnić komorę na środek nabyłyszczający.

Stosowanie soli

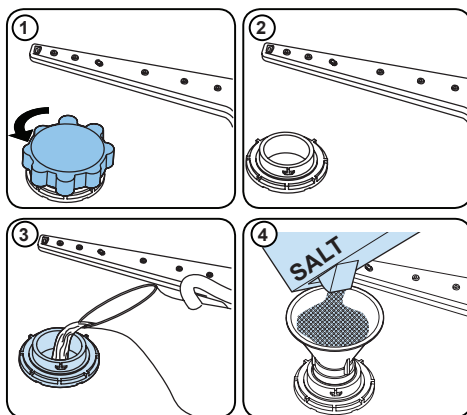
Aby dobrze zmywać, zmywarka potrzebuje wody miękkiej, czyli zawierającej niewielkie ilości wapienia. W przeciwnym razie na naczyniach i urządzeniach wewnątrz zmywarki pozostają białe wapienne ślady. To negatywnie wpływa na wydajność zmywania, suszenia i nabyłyszczania.

Z wody przepływającej przez układ zmiękczający są usuwane jony powodujące twardość wody i pozwala osiągnąć miękkość wymaganą do uzyskania najlepszych wyników mycia. W zależności od poziomu twardości doprowadzanej wody jony, które utwardzają wodę, szybko gromadzą się w układzie zmiękczającym. Dlatego układ zmiękczający trzeba odświeżać, aby przy następnym zmywaniu działał równie dobrze. W tym celu w zmywarce stosuje się sól.

W urządzeniu można stosować wyłącznie specjalną sól do zmiękczenia wody w zmywarkach. Nie stosować soli drobnej lub sproszkowanej, która łatwo się rozpuszcza. Stosowanie soli jakiegokolwiek innego rodzaju może uszkodzić urządzenie.

Wsypywanie soli

Aby dodać sól zmiękczającą, otwórz pokrywę komory na sól, obracając ją w kierunku przeciwnym do ruchu wskazówek zegara. **(1)** **(2)** Przy pierwszym użyciu napełnić komorę 1 kg soli i wodą **(3)** do momentu, aż prawie zacznie się przelewać. Użycie lejka **(4)**, jeżeli jest dostępny, ułatwi napełnianie. Założyć i zakręcić pokrywę. Po 20–30 cyklach dodać do zmywarki sól aż do całkowitego napełnienia (ok. 1 kg).





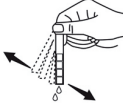

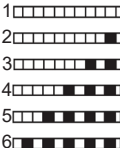
Dolewać wodę do komory na sól tylko przy pierwszym użyciu.

Używać soli specjalnie przeznaczonej do użytku w zmywarkach do naczyń.

Po uruchomieniu zmywarki komora na sól jest napełniana wodą, dlatego sól zmiękczającą należy wsypywać przed rozpoczęciem pracy zmywarki.

Jeżeli soli jest zbyt dużo, a zmywarka nie zostanie uruchomiona od razu, należy włączyć krótki program myjący, aby zapobiec korozji zmywarki.

Pasek testowy

Otworzyć dopływ wody (1 min).	Trzymać pasek pod wodą (1 sekunda).	Potrząsnąć paskiem.	Odczekać 1 min.	Ustawić poziom twardości wody w zmywarce.
				

UWAGA:

Domyślnie poziom jest ustawiony na 3. W przypadku wody gruntowej lub wody o poziomie twardości powyżej 90 dF zalecamy stosowanie filtra i urządzeń do uzdatniania wody.

Tabela stopni twardości wody

Poziom	Stopnie niemieckie dH	Stopnie francuskie dF	Stopnie angielskie dE	Wskaźnik
1	0-5	0-9	0-6	Na wyświetlaczu jest wyświetlany komunikat L1.
2	6-11	10-20	7-14	Na wyświetlaczu jest wyświetlany komunikat L2.
3	12-17	21-30	15-21	Na wyświetlaczu jest wyświetlany komunikat L3.
4	18-22	31-40	22-28	Na wyświetlaczu jest wyświetlany komunikat L4.
5	23-31	41-55	29-39	Na wyświetlaczu jest wyświetlany komunikat L5.
6	32-50	56-90	40-63	Na wyświetlaczu jest wyświetlany komunikat L6.

System zmiękczenia wody

Zmywarka jest wyposażona w system zmiękczenia wody, który zmniejsza twardość wody z sieci wodociągowej. Aby sprawdzić poziom twardości wody w kranie, należy skontaktować się z firmą wodociągową lub skorzystać z paska testowego (jeżeli jest dostępny).

Ustawienie

- Włączyć urządzenie, naciskając przycisk wł./wył.
- Nacisnąć przycisk Program na co najmniej 3 sekundy bezpośrednio po włączeniu maszyny.
- Puścić przycisk programu, kiedy pojawi się „SL”. Następnie wyświetli się ostatni poziom ustawień.
- Nacisnąć przycisk programu, aby ustawić odpowiedni poziom. Każde naciśnięcie przycisku programu zwiększa poziom. Po osiągnięciu poziomu 6 następne naciśnięcie powoduje powrót do poziomu 1.
- Ostatni wybrany poziom twardości wody jest zapisywany w pamięci po wyłączeniu maszyny przyciskiem wł./wył.

Używanie detergentu

Używać tylko detergentów specjalnie przeznaczonych do domowych zmywarek do naczyń. Detergenty należy przechowywać w chłodnych i suchych miejscach, niedostępnych dla dzieci.

Dodać odpowiednią ilość detergentu dla wybranego programu, aby zapewnić najlepszą wydajność. Wymagana ilość detergentu zależy od cyklu, wielkości ładunku i stopnia zabrudzenia naczyń.

Nie należy umieszczać w pojemniku większej ilości detergentu niż wymagana, ponieważ spowoduje to białawe smugi lub niebieskawy nalot na szkle i naczyniach, a także korozję szkła. Ciągłe stosowanie zbyt dużej ilości detergentu może spowodować uszkodzenie urządzenia.

Stosowanie zbyt małej ilości detergentu może powodować niedostateczne zmywanie, a także białawe smugi na naczyniach w przypadku twardej wody.

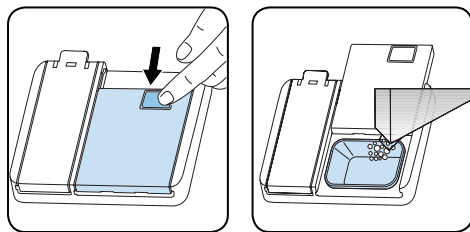
Więcej informacji znajduje się w instrukcji producenta detergentu.

Dodawanie detergentu

Nacisnąć zatrzask, aby otworzyć dozownik i dodać detergent.

Zamknąć pokrywę i nacisnąć, aby się zatrzasknęła. Dozownik należy napełniać tuż przed rozpoczęciem każdego programu.

Jeżeli naczynia są mocno zabrudzone, należy umieścić dodatkowy detergent w komorze na detergent do mycia wstępnego.



Używanie preparatów zawierających kilka składników

Z takich produktów należy korzystać zgodnie z instrukcjami producenta.

Nigdy nie należy wkładać preparatów zawierających kilka składników do wnętrza zmywarki ani koszyka na sztućce.

Preparaty z kilkoma składnikami oprócz detergentu zawierają też środek nabłyszczający, substancje zastępujące sól i dodatkowe składniki w zależności od formuły.

Do krótkich programów nie zaleca się używania preparatów zawierających kilka składników. W takim przypadku

odpowiednie jest stosowanie detergentów w proszku. Jeżeli podczas używania preparatu zawierającego kilka składników wystąpią problemy, należy skontaktować się z jego producentem.

W razie zrezygnowania z używania preparatów zawierających kilka składników należy się upewnić, że twardość wody i środek nabłyszczający są ustawione na właściwy poziom.

Stosowanie środka nabłyszczającego

Środek nabłyszczający wspomaga suszenie naczyń bez powstania smug i plam. Stosowanie środka nabłyszczającego jest wymagane, aby na naczyniach nie było plam, a szklanki były czyste. Środek nabłyszczający jest uwalniany automatycznie w trakcie fazy płukania na gorąco. Jeśli dawka środka nabłyszczającego jest ustawiona na zbyt niski poziom, na naczyniach pozostają białawe plamy, naczynia nie schną i nie są umyte do czysta.

Ustawienie dozowania środka nabłyszczającego na zbyt wysoki poziom może doprowadzić na powstania niebieskawych nalotów na szkle i naczyniach.

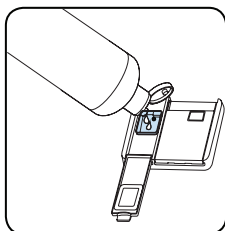
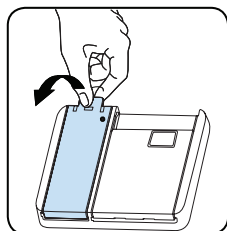
Napełnianie środkiem nabłyszczającym i nastawianie dozowania

Aby napełnić komorę na środek nabłyszczający, należy otworzyć pokrywę komory. Napełnić komorę środkiem nabłyszczającym do poziomu MAX i zamknąć pokrywę. Nie wypełniać nadmiernie komory na środek nabłyszczający. Rozlany środek należy wytrzeć.

Aby zmienić poziom środka nablyszczającego, przed włączeniem zmywarki należy wykonać poniższe kroki:

- Włączyć urządzenie, naciskając przycisk wł./wyl.
- Nacisnąć przycisk Program na co najmniej 5 sekund bezpośrednio po włączeniu maszyny.
- Przytrzymać przycisk programu, aż tekst „rA” zniknie z wyświetlacza. Po ustawieniu twardości wody ustawia się dawkę środka nablyszczającego.
- Zmywarka wyświetli ostatnie ustawienie.
- Ustawić poziom, naciskając przycisk programu.
- Wyłączyć zmywarkę, aby zapisać ustawienie.
- Ustawienie fabryczne to „4”.

Jeśli naczynia nie schną prawidłowo lub są na nich plamki, należy ustawić wyższy poziom. Jeśli na naczyniach tworzą się niebieskie plamy, należy ustawić niższy poziom.



Poziom	Dawka środka nablyszczającego	Wskaźnik
1	Środek nablyszczający nie jest odmierzany	Na wyświetlaczu widnieje komunikat r1.
2	Odmierzana jest 1 dawka	Na wyświetlaczu widnieje komunikat r2.
3	Odmierzane są 2 dawki	Na wyświetlaczu widnieje komunikat r3.
4	Odmierzane są 3 dawki	Na wyświetlaczu widnieje komunikat r4.
5	Odmierzane są 4 dawki	Na wyświetlaczu widnieje komunikat r5.

CZĘŚĆ 5: WKŁADANIE NACZYŃ DO ZMYWARKI

Aby uzyskać najlepsze wyniki, należy postępować zgodnie z niniejszymi wskazówkami dotyczącymi wkładania naczyń.

Załadowanie zmywarki do naczyń do pojemności określonej przez producenta przyczyni się do oszczędności energii i wody.

Ręczne płukanie wstępne naczyń prowadzi do zwiększonego zużycia wody i energii i nie jest zalecane. W górnym koszu można umieścić kubki, szklanki, kieliszki, małe talerzyki, miski itp. Nie opieraj długich szklanek o siebie, ponieważ nie będą mogły pozostać stabilne i mogą ulec uszkodzeniu. Wkładając kieliszki z długą nóżką i puchary opieraj je o krawędź kosza lub półkę, a nie o inne naczynia. Wszystkie pojemniki takie jak kubki, szklanki i garnki należy włożyć do zmywarki otworem w dół; w przeciwnym razie w naczyniach może zbierać się woda.

Jeśli w maszynie jest kosz na sztućce, aby uzyskać najlepsze rezultaty, zaleca się stosowanie siatki na sztućce. Wszystkie większe naczynia (garnki, patelnie, pokrywki, talerze, miski itp.) i bardzo brudne należy umieścić na dolnej półce.

Naczynia i sztućce nie powinny być umieszczane nad sobą.



OSTRZEŻENIE!

Uważać, aby nie zablokować obrotu ramion natryskowych.



OSTRZEŻENIE!

Po włożeniu naczyń upewnić się, że nie uniemożliwiają one otwarcia dozownika detergentu.

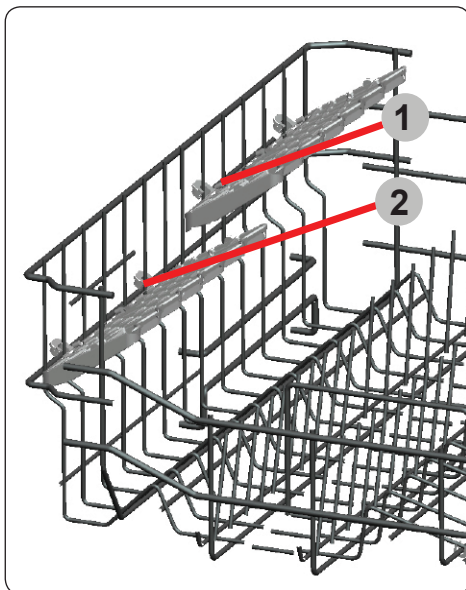


OSTRZEŻENIE!

Aby uniknąć ewentualnych obrażeń, noże z długimi trzonkami i ostrymi końcówkami należy układać w koszu ostrymi punktami do dołu lub poziomo.

Kratka na naczynia

Dzięki funkcji regulacji wysokości możesz pod tymi kratkami umieszczać szklanki różnych rozmiarów. Możesz używać kratek z dwoma różnymi wysokościami.



Zalecenia

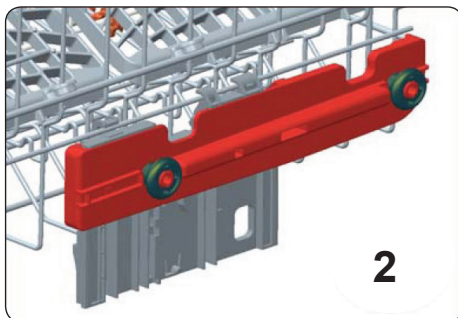
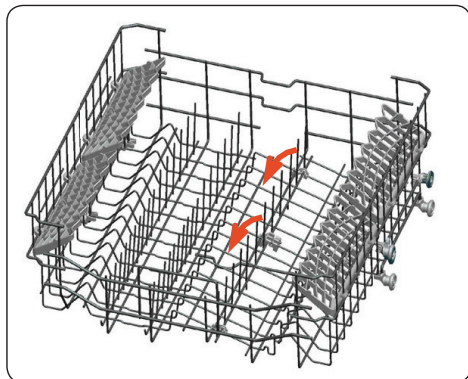
Przed włożeniem naczyń do maszyny należy usunąć z nich większe pozostałości. Uruchomić maszynę z pełnym zmywaniem.

UWAGA:

Nie przeciągać szuflad ani nie wkładać naczyń do niewłaściwego kosza.

Składane kratki

Składane kratki na górnym koszu pozwalają łatwiej układać duże naczynia, takie jak garnki, patelnie itp. W razie potrzeby każdą część można złożyć osobno lub złożyć je wszystkie zyskując dużą przestrzeń. Żeby wyregulować składane kratki, podnieś je do góry lub złoż do dołu.

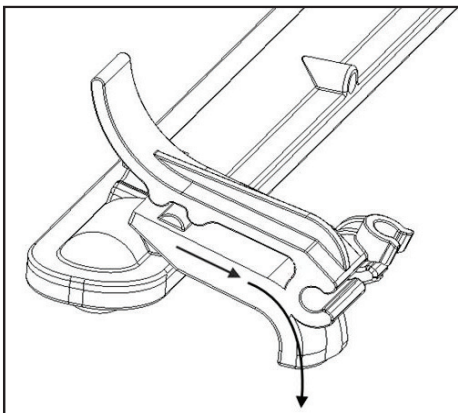
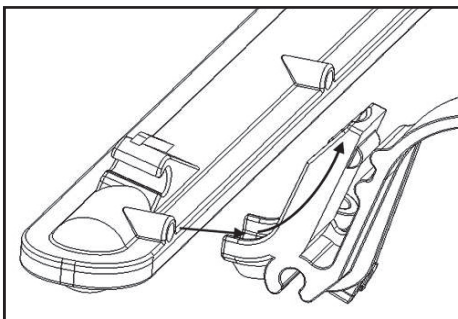
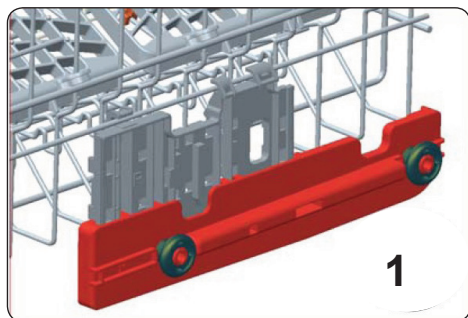


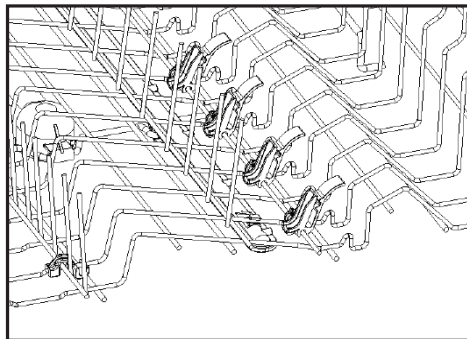
Funkcja mycia bezpośredniego

Ta funkcja służy do mycia szklanek, butelek itp. kierując wodę w górę, gdy aparat w górnym koszu (pokazany na rysunku) znajduje się w pozycji pionowej. Gdy urządzenie jest w pozycji poziomej, woda kierowana jest w dół, przyczyniając się do mycia dolnego kosza.

Regulacja wysokości kosza, gdy jest pełny

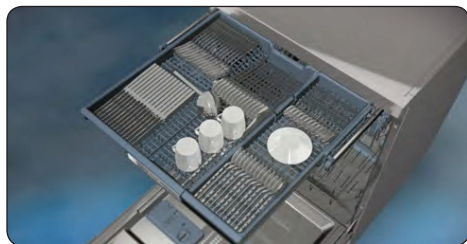
Mechanizm regulacji wysokości górnego kosza pozwala wyregulować jego wysokość bez wyjmowania naczyń i w razie potrzeby utworzyć dużą przestrzeń na górze lub dole zmywarki. Kosz zmywarki jest fabrycznie ustawiony w położeniu górnym. Żeby podnieść koszyk, chwyc go z obu stron i pociągnij do góry. Żeby go obniżyć, ponownie chwyc z obu stron i opuść. Sprawdź przy mechanizmie regulacji załadowanego kosza, czy obie strony znajdują się w tym samym położeniu (górnym lub dolnym).



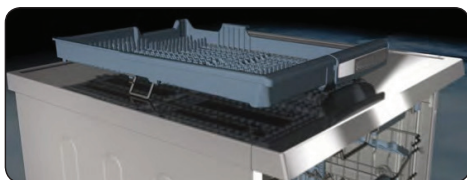


Górna szuflada na sztućce

Górna szuflada na sztućce przeznaczona jest do umieszczania w niej widelców, łyżek, noży, długich narzędzi i małych przedmiotów.



Ponieważ łatwo ją wyjąć ze zmywarki, można po umyciu wyjąć naczynia z urządzenia razem z koszem.



Górna szuflada na sztućce składa się z dwóch części. Jeśli potrzeba więcej miejsca na naczynia w górnym koszu, możesz wyjąć lewą lub prawą część górnej szuflady na sztućce, żeby uzyskać więcej przestrzeni.

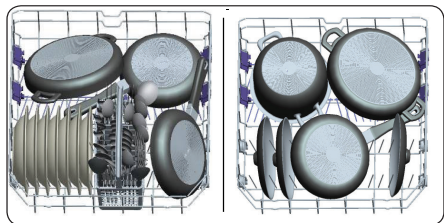


OSTRZEŻENIE!

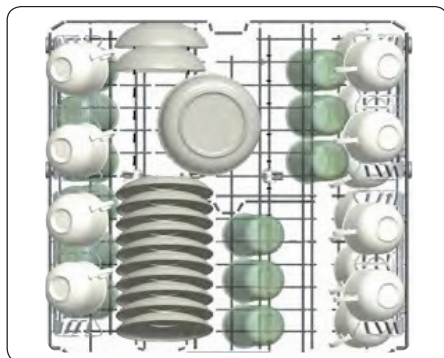
Noże i inne ostro zakończone przedmioty należy umieszczać poziomo w szufladzie na sztućce

Alternatywne sposoby wkładania naczyń do koszy

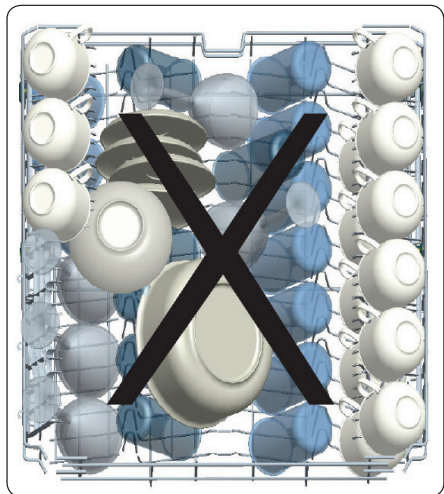
Dolny kosz



Górny kosz

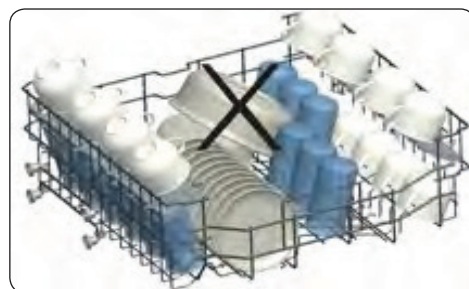
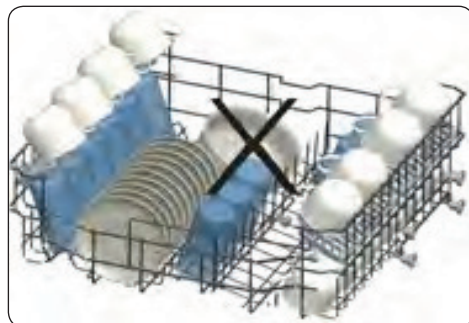
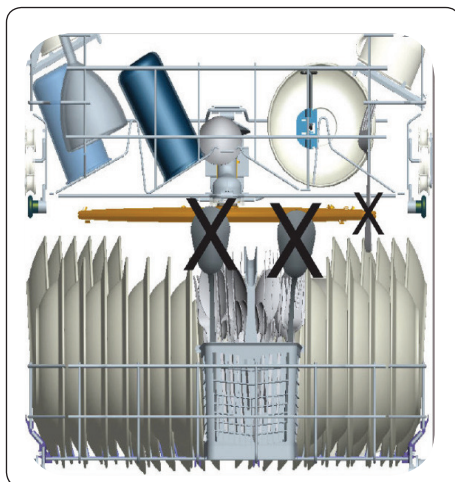


Nieprawidłowe włożenie naczyń



Złe sposoby wkładania naczyń

Nieprawidłowe włożenie naczyń może powodować niską skuteczność zmywania i suszenia. Aby uzyskać dobre wyniki, należy postępować zgodnie z zaleceniami producenta.

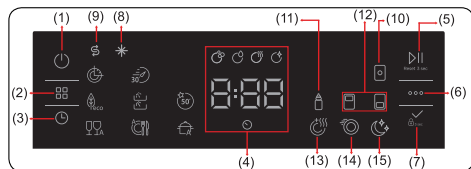


- Czas trwania programu może się zmieniać w zależności od ilości naczyń, temperatury wody, temperatury otoczenia oraz wybranych funkcji dodatkowych.
- Wartości podane w odniesieniu do programów innych niż Eko mają charakter wyłącznie orientacyjny.
- Program Eko jest odpowiedni do mycia naczyń zabrudzonych w normalnym stopniu. Jest to program zapewniający największą wydajność pod względem zużycia energii i wody. Jest to program wykorzystywany podczas oceny zgodności z przepisami UE dotyczącymi wymogów ekoprojektu.
- Zmywanie naczyń z gospodarstwa domowego w zmywarce zwykle oznacza mniejsze zużycie energii i wody w porównaniu ze zmywaniem ręcznym, przy zachowaniu instrukcji producenta zmywarki.
- Do krótkich programów należy używać tylko detergentów w proszku.
- Programy krótkie nie obejmują suszenia.
- Aby przyspieszyć proces suszenia, zalecamy lekkie otwarcie drzwiczek po zakończeniu cyklu.
- Użytkownik może uzyskać dostęp do bazy danych produktów zawierającej informacje o modelu po zeskanowaniu kodu QR na etykiecie energetycznej.

UWAGA:

Zgodnie z dyrektywami 1016/2010 i 1059/2010 wartości zużycia energii podczas programu Eko mogą się różnić. Powyższa tabela jest zgodna z wymogami dyrektyw 2019/2022 i 2017/2022.

CZĘŚĆ 7: PANEL STEROWANIA



1. Przycisk wł./wył.
2. Przycisk wyboru programu
3. Przycisk opóźnienia
4. Wskaźnik pozostałego czasu
5. Przycisk Start/Pauza
6. Przycisk opcji
7. Przycisk wyboru
8. Wskaźnik ilości nabłyszczacza
9. Wskaźnik ilości soli
10. Wskaźnik opcji tabletki
11. Wskaźnik opcji Dodatkowa higiena
12. Wskaźniki opcji Połowa załadunku
13. Wskaźnik opcji Dodatkowe suszenie
14. Wskaźnik opcji Zmywania ekstra szybkiego
15. Wskaźnik opcji zmywania ekstra cichego

1. Przycisk wł./wył.

Należy nacisnąć przycisk włączania/ wyłączenia, aby załączyć urządzenie. Lampka kontrolna włączenia świeci się, dopóki zmywarka jest włączona.

2. Przycisk wyboru programu

Należy wybrać odpowiedni program, naciskając przycisk programu.

3. Przycisk opóźnienia

Można opóźnić czas rozpoczęcia programu o 1–2 do 24 godzin, naciskając przycisk Opóźnienie (3) przed rozpoczęciem programu. W celu zmiany czasu opóźnienia, nacisnąć najpierw przycisk „Start/Pauza”, a następnie przycisk „Opóźnienie” i wybrać nowy czas opóźnienia. W celu aktywacji nowego czasu opóźnienia, należy nacisnąć przycisk „Start/Pauza”. Aby anulować opóźnienie, należy zmienić ustawienie na 0 godz. za pomocą przycisku opóźnienia kiedy zmywarka jest zatrzymana.

4. Wskaźnik pozostałego czasu

Przebieg programu można monitorować za pomocą lampek „Mycie”, „Płukanie”, „Suszenie”, „Koniec” i wskaźnika pozostałego czasu. Podczas świecenia lampki „Suszenie” urządzenie pracuje cicho przez mniej więcej 15–50 minut w zależności od przebiegu programu wybranego przez użytkownika.

5. Przycisk Start/Pauza

Nacisnąć przycisk „Start/Pauza”, aby uruchomić program. Lampka mycia zapala się, a na wskaźniku pozostałego czasu jest pokazany czas trwania programu. Pokazywany czas zmniejsza się wraz z postępem wykonania programu. W razie otwarcia klapy urządzenia w trakcie trwania programu jego przebieg oraz wskazanie czasu zostaje zatrzymane, a dioda LED „Start/ Pauza” zaczyna migać.

6. Przycisk opcji

Opcje można wybierać poprzez wielokrotne naciśnięcie przycisku opcji. Opcja wybrana w danym momencie jest wskazana migającą diodą LED.

7. Przycisk wyboru

Wybierz opcję poprzez naciśnięcie przycisku wyboru. Dioda LED opcji, która została wybrana pozostaje zapalona.

8. Wskaźnik ilości nabłyszczacza

Jeżeli poziom nabłyszczacza jest niski, wskaźnik sygnalizujący jego brak zapala się. Wówczas należy napełnić pojemnik nabłyszczacza odpowiednim środkiem.

9. Wskaźnik ilości soli

Jeżeli ilość soli zmiękczejacej jest niewystarczająca, a wskaźnik ostrzegający o jej braku zapala się, należy napełnić pojemnik solą.

10. Wskaźnik opcji tabletki

Naciśnij przycisk tabletek, jeśli używasz detergentu łączonego, który zawiera sól, środek nabłyszczający i inne elementy.

11. Wskaźnik opcji Dodatkowa higiena

Użytkownik może wybrać opcję dodatkowej higieny, aby uzyskać bardziej higieniczne i czystsze zmywanie poprzez zmianę temperatury wody i czasu zmywania w ramach wybranego programu.

12. Wskaźniki opcji Połowa załadunku

Po wybraniu opcji połowy załadunku można wykonać trzy rodzaje mycia: oba kosze, górny kosz i dolny kosz. Są to opcje idealnie nadające się do mniejszych załadunków, ponieważ dzięki nim zmywarka może myć mniejsze ilości naczyń przy zmniejszonym zużyciu.

13. Wskaźnik opcji Dodatkowe suszenie

Po wybraniu opcji Dodatkowego suszenia, etapów dodatkowego podgrzewania i suszenia dodanych do wybranego programu, aby uzyskać lepsze wyniki suszenia naczyń.

14. Wskaźnik opcji Zmywania ekstra szybkiego

Wybierz opcję Zmywania ekstra szybkiego, aby skrócić trwanie programu, co daje bardziej ekonomiczne zużycie wody.

15. Wskaźnik opcji zmywania ekstra cichego

Wybierz opcję Zmywania ekstra cichego, aby uzyskać cichsze i cichsze zmywanie. Ta opcja służy do obniżania poziomu hałasu podczas zmywania.

UWAGA:

Jeżeli w trakcie trwania ostatniego programu zmywania włączono dodatkową funkcję, funkcja ta pozostanie aktywna po wyborze kolejnego programu aż do wyłączenia urządzenia. Aby anulować tę funkcję w nowym programie zmywania, należy nacisnąć przycisk opcji (6) i przytrzymać go, aż zgaśnie dioda na przycisku.

UWAGA:

Blokada zabezpieczająca przed dostępem dzieci jest włączana/ wyłączana przez naciśnięcie przycisku wyboru (7) i przytrzymanie go przez mniej więcej 3 sekundy. Po uruchomieniu blokady wszystkie diody LED migają, a na wskaźniku pozostałego czasu jest wyświetlane „CL” (4).

UWAGA:

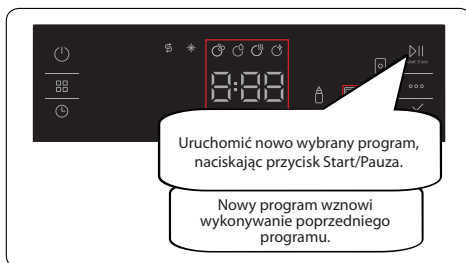
Aby zapisać dowolny program jako ulubiony, należy nacisnąć równocześnie przyciski Program (2) i Opóźnienie (3). Aby wybrać ulubiony program, należy nacisnąć przycisk Programy (2) i przytrzymać go przez 3 s.

UWAGA:

Jeśli po wybraniu czasu opóźnienia i uruchomieniu programu użytkownik przełączy zmywarkę w położenie wyłączenia, czas opóźnienia zostanie anulowany.

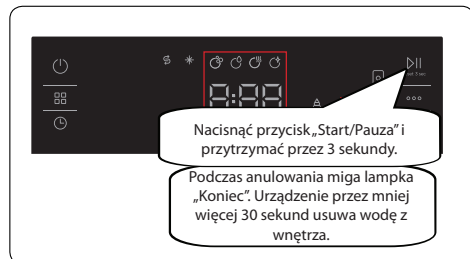
Zmiana programu

Aby zmienić program podczas pracy maszyny.

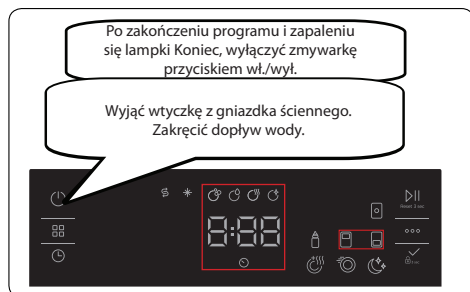


Anulowanie programu

W celu anulowania programu podczas jego działania.



Wyłączanie urządzenia



UWAGA:

Nie otwierać drzwiczek przed zakończeniem programu.

UWAGA:

Po zakończeniu programu zmywania można pozostawić kłapę zmywarki uchyloną w celu przyspieszenia suszenia.

UWAGA:

Po otwarciu kłapy zmywarki podczas pracy lub wyłączeniu zasilania elektrycznego program zostanie zatrzymany, a po zamknięciu drzwiczek lub przywróceniu zasilania wznowiony od momentu zatrzymania.

Tryb oszczędzania energii

Aby włączyć lub wyłączyć tryb oszczędzania energii, należy wykonać poniższe czynności:

1. Otworzyć drzwiczki i jednocześnie nacisnąć przyciski programu (2) i opcji (6) przez 3 sekundy.
2. Po 3 sekundach na urządzeniu zostanie wyświetlone ostatnie ustawienie, „IL1” lub „IL0”.
3. Gdy tryb oszczędzania energii zostanie włączony, wyświetli się „IL1”. W tym trybie wewnętrzne lampki wyłączą się 4 minuty po otwarciu drzwiczek, a urządzenie wyłączy się po 15 minutach bezczynności, aby oszczędzać energię.
4. Przy wyłączonym trybie oszczędzania energii wyświetli się „IL0”. Jeżeli tryb oszczędzania energii jest wyłączony, wewnętrzne lampki będą się świecić, dopóki drzwiczki są otwarte, a urządzenie będzie włączone, dopóki użytkownik go nie wyłączy.
5. Wyłączyć urządzenie, aby zapisać wybrane ustawienie.

W ustawieniu fabrycznym tryb oszczędzania energii jest włączony.

CZĘŚĆ 8: CZYSZCZENIE I KONSERWACJA

Czyszczenie zmywarki ma znaczenie dla uzyskania długiej żywotności urządzenia. Należy się upewnić, że ustawienie zmiękczenia wody (jeśli jest dostępne) określono prawidłowo, a także że stosuje się odpowiednią ilość detergentu, aby zapobiec gromadzeniu się kamienia. Po zapaleniu się czujnika poziomu soli należy napełnić zbiornik na sól.

Z upływem czasu w zmywarce może gromadzić się tłuszcz i kamień. W takiej sytuacji należy:

- Napełnić komorę na detergent bez ładowania naczyń do zmywarki. Wybrać program mycia z wysoką temperaturą i uruchomić pustą zmywarkę. Jeśli po zakończeniu programu mycia zmywarka nie jest odpowiednio wyczyszczona, należy zastosować środek do czyszczenia zmywarek.
- Aby wydłużyć żywotność zmywarki, należy czyścić urządzenie regularnie raz w miesiącu.
- Regularnie przecierać uszczelki drzwi za pomocą wilgotnej ściereczki, aby usunąć wszelkie nagromadzone pozostałości lub substancje obce.

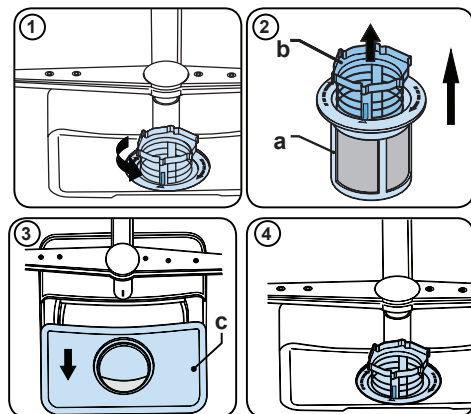
Filtry

Czyścić filtry i ramiona natryskowe co najmniej raz w tygodniu. Jeśli na zgrubnym lub drobnym filtrze pozostały jakieś resztki jedzenia lub substancje obce, należy je usunąć i dokładnie umyć filtry pod wodą.

a) Mikrofiltr

b) Filtr zgrubny

c) Filtr metalowy



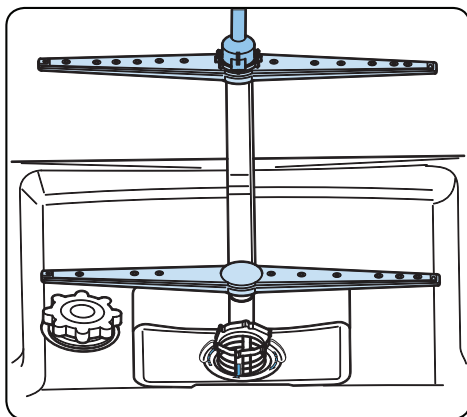
Aby wymontować i wyczyścić zespół filtrów, należy przekręcić go w lewo i wyjąć poprzez uniesienie w górę (1). Wyciągnąć filtr zgrubny z mikrofiltra (2). Następnie wyciągnąć i wyjąć filtr metalowy (3). Płukać filtr dużą ilością wody do czasu usunięcia osadu. Złożyć filtry. Włożyć wkład filtra i obrócić go w prawo (4).

- Nie używać zmywarki bez żadnego filtra.
- Niewłaściwe założenie filtra zmniejsza skuteczność zmywania.
- Czyste filtry są niezbędne do prawidłowego działania urządzenia.

Ramiona natryskowe

Upewnić się, że otwory w ramionach natryskowych nie są zatkane, a w ramionach nie ma żadnych resztek jedzenia ani ciał obcych. Jeśli coś się zatkało, należy wyjąć ramiona natryskowe i umyć je pod wodą. Aby wyjąć górne ramię natryskowe, należy odkręcić nakrętkę mocującą poprzez obracanie w prawo i pociągnięcie w dół.

Przy zakładaniu górnego ramienia z powrotem należy się upewnić, że nakrętka jest całkowicie dokręcona.



Pompa odpływowa

Duże resztki jedzenia lub ciała obce, które nie zostaną zatrzymane na filtrach, mogą zatkać pompę brudnej wody. Jeśli dojdzie do takiej sytuacji, woda do płukania pozostaje na poziomie ponad filtrem.

Ostrzeżenie: Zagrożenie przecięciem!

Podczas czyszczenia pompy brudnej wody należy uważać, aby nie skaleczyć się kawałkami zbitego szkła lub ostrymi sztuczcami itp.

Sposób postępowania:

1. Zawsze najpierw odłączyć urządzenie od zasilania sieciowego.
2. Wyjąć kosze na naczynia.
3. Wyjąć filtry.
4. Wybrać wodę, w razie potrzeby użyć gąbki.
5. Sprawdzić opróżnione miejsce i usunąć wszelkie ciała obce.
6. Zamontować filtry.
7. Włożyć kosze.

CZĘŚĆ 9: ROZWIĄZANIE PROBLEMÓW

Jeśli program się nie uruchamia

- Sprawdzić, czy wtyczka przewodu zasilającego jest włożona do gniazdka.
- Sprawdzić bezpieczniki.
- Sprawdzić, czy zawór doprowadzenia wody jest odkręcony.
- Sprawdzić, czy drzwi urządzenia zostały zamknięte.
- Sprawdzić, czy wyłączono urządzenie przyciskiem Wł./Wyl.
- Sprawdzić, czy filtr na doprowadzeniu wody oraz filtry w urządzeniu nie są zatkane.

Jeśli w komorze na detergent zostają resztki detergentu

Detergent został włożony do wilgotnej komory na detergent.

Jeśli po zakończeniu programu w urządzeniu pozostaje woda

- Wąż odprowadzenia wody jest zatkany lub skręcony.
- Filtry są zatkane.
- Program się jeszcze nie zakończył.

Jeśli urządzenie przerywa pracę podczas trwania cyklu zmywania

- Awaria zasilania.
- Awaria doprowadzenia wody.
- Program może być w trybie czuwania.

Jeśli podczas zmywania z urządzenia słychać odgłosy uderzania lub stukania

- Naczynia zostały włożone nieprawidłowo.
- Ramiona spryskujące uderzają o naczynia.

Jeśli na naczyniach pozostają fragmenty resztek jedzenia

- Naczynia są nieprawidłowo włożone do urządzenia, w związku z czym nie dociera do nich woda.
- Kosze są przeładowane.
- Naczynia opierają się o siebie.
- Dodano bardzo niewiele detergentu.
- Wybrano nieodpowiedni, zbyt słaby program zmywania.
- Ramiona spryskujące są zatkane resztkami jedzenia.
- Filtry są zatkane.
- Nieprawidłowo zamontowano filtry.
- Zatkana pompa spustowa wody.

Jeśli na naczyniach pozostają białawe plamy

- Użyto bardzo niewiele detergentu.
- Dozowanie środka nabyliczającego jest ustawione na bardzo niskim poziomie.
- Nie dodano specjalnej soli pomimo wysokiego poziomu twardości wody.
- System zmiękczacza wody jest ustawiony na bardzo niskim poziomie.
- Pokrywa komory na sól nie jest dobrze zamknięta.
- Użyto detergentu bez fosforany; spróbować użyć środka z fosforanem.

Naczynia nie schną

- Wybrano program bez cyklu suszenia.
- Zbyt niskie ustawienie dozowania środka nablyszczającego
- Naczynia zostały zbyt szybko wyjęte z urządzenia.

Jeśli na naczyniach pozostają ślady rdzy

- Jakość stali nierdzewnej, z której wykonano myte naczynia, jest niewystarczająca.
- Duża zawartość soli w wodzie do zmywania.
- Pokrywa komory na sól nie jest dobrze zamknięta.
- Zbyt dużo soli rozsypało się wewnątrz urządzenia podczas jej dodawania do komory.
- Nieprawidłowe uziemienie sieci elektrycznej.

Drzwi nie otwierają się/nie zamykają się prawidłowo;

- Na drzwiach zamocowano front o niewłaściwym ciężarze. (Przestrzegać zaleceń dotyczących ciężaru podanych w instrukcji montażu)
- Sprężyna drzwiowa nie jest wystarczająco napięta. Skorygować zgodnie z instrukcją montażu.

Wezwać autoryzowany serwis, jeśli po przeprowadzeniu niniejszych kontroli problem nie znika lub jeśli nie został tutaj opisany.

KODY AWARII I ZALECANE POSTĘPOWANIE

KOD BŁĘDU	MOŻLIWA USTERKA	SPOSÓB POSTĘPOWANIA
FF	Usterka układu dopływu wody	Upewnić się, że kurek dopływu wody jest otwarty, a woda płynie.
		Odlączyć wąż dopływu od kurka i wyczyścić filtr węża.
		Jeżeli błąd nie ustąpił, skontaktować się z serwisem.
F5	Usterka układu ciśnieniowego	Skontaktować się z serwisem.
F3	Ciągły dopływ wody	Zakręcić kurek i skontaktować się z serwisem.
F2	Brak możliwości odpływu wody	Wąż odpływu wody i filtry mogą być zatkane.
		Anulować program.
		Jeżeli błąd nie ustąpił, skontaktować się z serwisem.
F8	Błąd grzałki	Skontaktować się z serwisem.
F1	Nadmierny przepływ	Odlączyć urządzenie i zamknąć kurek.
		Skontaktować się z serwisem.
FE	Uszkodzona karta elektroniczna	Skontaktować się z serwisem.
F7	Przegrzanie	Skontaktować się z serwisem.
F9	Błąd położenia kanału odprowadzającego	Skontaktować się z serwisem.
F6	Uszkodzony czujnik grzałki	Skontaktować się z serwisem.
HI	Usterka wysokiego napięcia	Skontaktować się z serwisem.
LO	Usterka niskiego napięcia	Skontaktować się z serwisem.

Prace montażowe i naprawcze muszą być zawsze wykonywane przez autoryzowanych serwisantów, aby uniknąć ryzyka. Producent nie ponosi odpowiedzialności za szkody mogące wyniknąć z procedur wykonywanych przez osoby nieupoważnione. Naprawy mogą być wykonywane wyłącznie przez techników. W razie potrzeby wymiany podzespołu należy stosować wyłącznie oryginalne części zamienne.

Nieprawidłowo wykonane naprawy lub stosowanie nieoryginalnych części zamiennych może spowodować znaczne szkody, a także narazić użytkownika na duże ryzyko.

Dane kontaktowe do serwisu klienta znajdują się na końcu dokumentu.

Oryginalne części zamienne do poszczególnych funkcji zgodne z wymogami ekoprojektu można uzyskać w dziale serwisu klienta przez okres co najmniej 10 lat od daty wprowadzenia urządzenia na rynek Europejskiego Obszaru Gospodarczego.

CZĘŚĆ 10: ARKUSZ INFORMACYJNY

Arkusz informacyjny

PHILCO 

ROZPORZĄDZENIE DELEGOWANE KOMISJI (UE) 2019/2016

Nazwa lub znak towarowy producenta: PHILCO

Adres producenta: U Sanitatu 1621, Říčany 251 01, CZ

Znak identyfikacyjny modelu: PDI 1568 DLT / PDI 1568 DLTDX

Podstawowe dane techniczne: Zmywarka do naczyń

Parametry	Wartość	Parametry	Wartość	
Pojemność znamionowa (w szt.)	15	Wymiary w cm	Wysokość	85
			Szerokość	60
			Głębokość	60
Indeks efektywności energetycznej EEL_w	49,9	Klasa efektywności energetycznej *	D	
Klasa efektywności mycia	1,13	Klasa efektywności suszenia	1,07	
Zużycie energii w kWh [na cykl], dla programu eko z wykorzystaniem uzupełniania zimnej wody. Rzeczywiste zużycie energii będzie zależne od używania urządzenia.	0,861	Zużycie wody w litrach [na cykl], na podstawie eko programu. Rzeczywiste zużycie wody będzie zależne od tego, jak urządzenie jest używane oraz od twardości wody.	9	
Trwanie programu (h:min)	4:30	Typ	Wolno stojące	
Dźwięk akustyczny emisji hałasu (dB(A) re 1 pW)	39	Klasa akustycznych emisji hałasu	B	
Zużycie po wyłączeniu (W)	0,5	Zużycie w trybie czuwania (W)	1	
Zużycie w trybie opóźnionego startu (W) (jeśli jest wybrany)	1	Zużycie w sieciowym trybie czuwania (W) (jeśli jest wybrany)	-	

Minimalny czas trwania gwarancji udzielonej przez dostawcę: 24 miesiące

Dodatkowe informacje:

Link internetowy do strony producenta, gdzie znajdują się informacje podane w pkt. 6 załącznika II rozporządzenia Komisji (UE) 2019/2022: www.philco.cz

* A (najwyższa wydajność) do G (najniższa wydajność)

INFORMACJE TECHNICZNE

Informacje techniczne można znaleźć na tabliczce znamionowej wewnątrz urządzenia oraz na etykiecie energetycznej. Kod QR na dostarczonej etykiecie energetycznej zawiera link do rejestracji urządzenia w unijnej bazie danych Eprei.

INFORMACJE O TESTACH

Dostarczone urządzenie jest zgodne z EcoDesign i EN60436:2020 Wymagania dotyczące dostępu powietrza do prawidłowego działania urządzenia, minimalna odległość od ściany oraz wymiary urządzenia są częścią niniejszej instrukcji. W przypadku dalszych pytań prosimy o kontakt z producentem.

OBSŁUGA I OBSŁUGA KLIENTA

Zawsze używaj oryginalnych części zamiennych.

Oznakowanie modelu i numer serii znajdziesz na tablicy znamionowej. Pozycję tablicy znamionowej można zmienić bez uprzedniego ostrzeżenia. Oryginalne części zamienne dla niektórych konkretnych komponentów są do dyspozycji min. 7 lub 10 lat. Jest to zależne od typu komponentu oraz od wprowadzenia ostatniego urządzenia danego modelu na rynek.

Kontaktując się z naszym autoryzowanym serwisem, należy mieć dostępne oznaczenie modelu, numer seryjny i opis wady.

Aby pobrać dokumenty, odwiedź www.philco.pl.

Aby zgłosić usterkę i uzyskać dodatkowe informacje serwisowe, odwiedź www.philco.pl/sposoby-zgłaszaniareklamacji-gwarancyjnej

Zastrzega się możliwość zmian bez powiadomienia.

WSKAZÓWKI I INFORMACJE O POSTĘPOWANIU ZE ZUŻYTYM OPAKOWANIEM

Zużyty materiał opakowania odnieś na miejsce wyznaczone przez administrację.

LIKWIDACJA ZUŻYTYCH URZĄDZEŃ ELEKTRYCZNYCH I ELEKTRONICZNYCH



Ten symbol na produktach lub w dokumentach dodatkowych oznacza, że zużyte urządzenie elektryczne i elektroniczne nie mogą zostać wyrzucone z odpadem komunalnym. Aby odpowiednio likwidować, odnawiać i oddawać do recyklingu oddawaj te produkty do odpowiednich punktów zbiórki. Alternatywnie w niektórych krajach Unii Europejskiej lub w innych rajach Europy możesz zwrócić swoje produkty lokalnemu sprzedawcy przy zakupie ekwiwalentnego nowego produktu. Odpowiednio likwidując ten produkt pomożesz zachować cenne źródła naturalne i pomagasz w prewencji potencjalnych negatywnych wpływów na środowisko i zdrowie ludzkie, które mogłyby być wynikiem niewłaściwej likwidacji odpadów. O więcej szczegółów poproś w lokalnej administracji lub w najbliższym punkcie zbiórki odpadów. Za nieodpowiednią likwidację tego rodzaju odpadu mogą zostać udzielone mandaty zgodnie z przepisami państwowymi.

Dla podmiotów handlowych w krajach Unii Europejskiej

Jeśli chcesz zlikwidować urządzenia elektryczne i elektroniczne, zapytaj o potrzebne informacje swojego sprzedawcę lub dostawcę.

Likwidacja w innych krajach poza Unią Europejską

Symbol ten obowiązuje w UE. Jeśli chcesz zlikwidować ten produkt, zapytaj o potrzebne informacje o odpowiednim sposobie likwidacji w lokalnej administracji lub u sprzedawcy.



Produkt ten spełnia wszystkie podstawowe wymagania rozporządzeń UE, które się do niego stosują.

Zmiany w tekście, wyglądzie i specyfikacji technicznej mogą się pojawić bez uprzedniego ostrzeżenia zastrzegamy sobie prawo do tych zmian.

Oryginał niniejszej instrukcji obsługi jest w języku czeskim.

Výrobce/Manufacturer:
Fast ČR, a.s.
U Sanitasy 1621
Říčany 251 01, CZECH REPUBLIC

Distributor:
FAST PLUS, a.s.
Na pántoch 18
831 06 Bratislava, SLOVAKIA

Distributor:
FAST POLAND Sp. z o. o.
Kwiatniowa 36
05-090 Wypędy, POLAND

PHILCO[®] 

is a pending or registered trademark of Electrolux Home Products, Inc. and used under a license from Electrolux Home Products, Inc.