

# Wine cooler

## OWNER'S MANUAL

**PHILCO**



*Famous for Quality the World Over*

**PW 143 GLV**

**Thank you very much for buying this product.**

**Before using your new refrigerator, please read this operation manual to ensure that you gain the maximum benefit from it.**

# CONTENTS

<b>SAFETY PRECAUTIONS.....</b>	<b>3</b>
<b>DESCRIPTION OF APPLIANCE &amp; INSTALLATION.....</b>	<b>7</b>
<b>ACCESSORY INSTALLATION BEFORE OPERATING.....</b>	<b>9</b>
<b>OPERATING THE WINE COOLER.....</b>	<b>10</b>
<b>CARE AND MAINTENANCE.....</b>	<b>15</b>
<b>TROUBLESHOOTING.....</b>	<b>18</b>
<b>REVERSE THE DOOR SWING .....</b>	<b>19</b>
<b>PRODUCT INFORMATION SHEET .....</b>	<b>22</b>



This appliance has been tested in accordance with the directives in force in the European Union.  
This appliance conforms to the relevant safety provisions for electrical appliances in force in the European Union.

## **DEAR CUSTOMER:**

Thank you for buying this refrigerator. To ensure that you get the best results from your new refrigerator, please take time to read through the simple instructions in this booklet.

Please ensure that the packing material is disposed of in accordance with the current environmental requirements.

When disposing of any refrigerator equipment please contact your local waste disposal department for advice on safe disposal.

This appliance must be only used for its intended purpose.

## **CAUTION:**

The appliance is not intended for use by young children or infirm persons without supervision.

Young children should be supervised to ensure that they do not play with the appliance.



## SAFETY PRECAUTIONS

THIS APPLIANCE CAN BE USED BY CHILDREN AGED FROM 8 YEARS AND ABOVE AND BY PERSONS WITH REDUCED PHYSICAL, SENSORY OR MENTAL CAPABILITIES OR LACK OF EXPERIENCE AND KNOWLEDGE IF THEY HAVE BEEN GIVEN SUPERVISION OR INSTRUCTIONS CONCERNING USE OF THE APPLIANCE IN A SAFE WAY AND IF THEY UNDERSTAND THE HAZARDS INVOLVED.

CHILDREN MUST NOT PLAY WITH THE APPLIANCE. CLEANING AND MAINTENANCE CANNOT BE PERFORMED BY CHILDREN WITHOUT SUPERVISION. CHILDREN AGED FROM 3 TO 8 YEARS OF AGE CAN INSERT AND REMOVE FOOD FROM REFRIGERATION APPLIANCES.

IF THE SUPPLY CABLE GETS DAMAGED, HAVE IT REPLACED BY A SPECIALIZED SERVICE CENTRE IN ORDER TO AVOID DANGEROUS SITUATIONS. IT IS PROHIBITED TO USE AN APPLIANCE WITH THE SUPPLY CABLE DAMAGED.



ICE MAKERS THAT ARE NOT INTENDED FOR CONNECTION TO THE WATER SUPPLY SHOULD ONLY BE FILLED WITH DRINKING WATER.



VENTILATION OPENINGS IN THE HOUSING OF THE APPLIANCE OR IN ITS CONSTRUCTION MUST BE KEPT WITHOUT OBSTACLES.



DO NOT USE ANY MECHANICAL DEVICES OR MEANS OTHER THAN RECOMMENDED BY THE MANUFACTURER TO SPEED UP THE DEFROSTING PROCESS.



DO NOT DAMAGE THE COOLING CIRCUIT.



DO NOT USE ELECTRIC APPLIANCES IN THE FOOD STORAGE COMPARTMENT, UNLESS IT IS A TYPE RECOMMENDED BY THE MANUFACTURER.

DO NOT STORE EXPLOSIVE SUBSTANCES IN THIS APPLIANCE, SUCH AS AEROSOL CANS WITH A FLAMMABLE PROPELLANT GAS.

THIS APPLIANCE IS INTENDED TO BE USED ONLY IN HOUSEHOLDS AND NOT IN SIMILAR PREMISES, SUCH AS:

- KITCHENETTES IN SHOPS, OFFICES AND OTHER WORKPLACES;
- APPLIANCES USED BY GUESTS IN HOTELS, MOTELS, AND OTHER ACCOMMODATION FACILITIES;
- APPLIANCES USED IN BED AND BREAKFAST FACILITIES;
- APPLIANCES USED IN CATERING AND OTHER SIMILAR NON-VENDING ENVIRONMENTS.



ICE MAKERS THAT ARE INTENDED FOR CONNECTION TO THE WATER SUPPLY SHOULD ONLY BE CONNECTED TO DRINKING WATER SUPPLY.



THE APPLIANCE MUST BE FASTENED IN ACCORDANCE WITH THE MANUAL TO PREVENT DANGER CAUSED BY ITS INSTABILITY.



THE ISO 7000-1701 MARK (2004-01) INDICATES MEDIUM UNDER PRESSURE.



**FIRE HAZARD / FLAMMABLE MATERIALS!**



**THE COOLING SYSTEM CONTAINS REFRIGERANT UNDER HIGH PRESSURE. DO NOT MANIPULATE WITH THE SYSTEM. THE SYSTEM MAY BE REPAIRED BY AUTHORISED PERSONS ONLY.**

# R600A

**CONTAINS COOLING GAS ISOBUTANE WHICH IS FLAMMABLE. AVOID DAMAGING REFRIGERATION CIRCUIT COMPONENTS DURING TRANSPORT AND INSTALLATION OF THE APPLIANCE.**



**WHEN PLACING THE APPLIANCE IT MUST BE ENSURED THAT THE SUPPLY CORD DOES NOT GET CAUGHT OR DAMAGED.**



**DO NOT PLACE PORTABLE MULTIPLE SOCKET-OUTLETS OR PORTABLE EXTENSION CABLES TO THE REAR SIDE OF THE APPLIANCE.**

## **OTHER RECOMMENDATIONS / INSTALLATION**

### **SAFETY OF THE ELECTRICAL SYSTEM:**

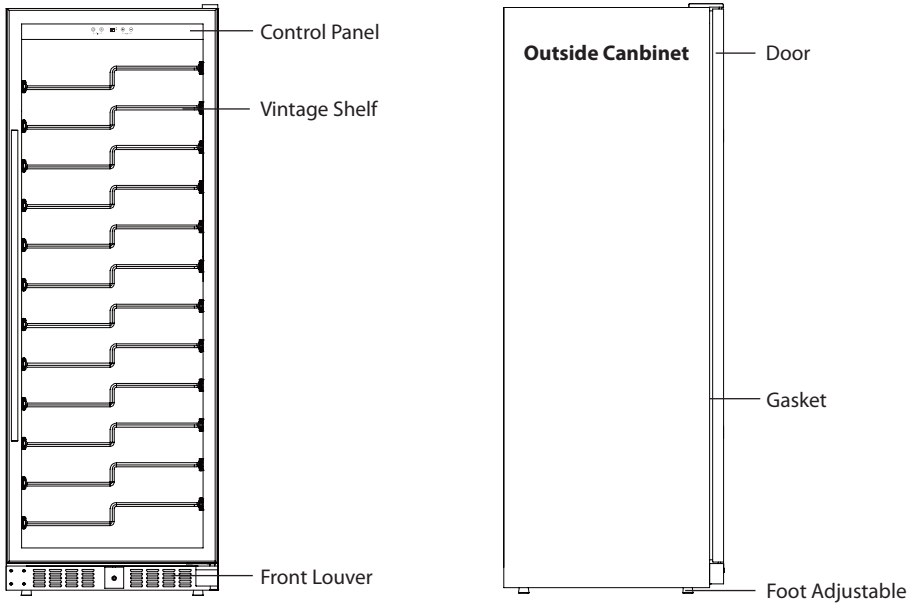
- THE POWER CORD MUST NOT BE EXTENDED.
- PLEASE ENSURE THAT THE PLUG OF THE POWER CORD IS NOT DAMAGED, OTHERWISE IT COULD OVERHEAT AND CAUSE A FIRE.
- WHEN PLACING THE APPLIANCE IT MUST BE ENSURED THAT THE CABLE CORD DOES NOT GET CAUGHT OR DAMAGED.
- DO NOT PLACE PORTABLE MULTIPLE SOCKET-OUTLETS OR PORTABLE EXTENSION CABLE TO THE REAR SIDE OF THE APPLIANCE.
- THE APPLIANCE MUST NOT STAND ON THE POWER CORD.
- THE APPLIANCE MUST NOT BE PLACED IN A HUMID ENVIRONMENT; THE POWER CORD MUST NOT LIE IN WATER.
- MAKE SURE THAT YOU HAVE FREE ACCESS TO THE PLUG OF THE APPLIANCE.
- DO NOT PULL ON THE POWER CORD.
- IF AN ELECTRICAL OUTLET IS LOOSENED, DO NOT CONNECT THE PLUG TO IT. THERE IS A RISK OF ELECTRIC SHOCK OR FIRE.
- THIS APPLIANCE MUST NOT BE USED WITHOUT THE INTERIOR LIGHT COVER.
- THE REFRIGERATOR IS DESIGNED TO BE USED ONLY WITH ONE-PHASE ALTERNATING CURRENT POWER SUPPLY WITH VALUES OF 220 - 240 V / 50 HZ. IF THE VOLTAGE FLUCTUATION IN THE PLACE OF RESIDENCE OF THE USER IS SO GREAT THAT IT EXCEEDS THE GIVEN LIMITS, USE AN AUTOMATIC VOLTAGE REGULATOR WITH THE REFRIGERATOR OF MORE THAN 350 W FOR SAFETY REASONS.
- THE PLUG MUST BE USED WITH A SOCKET WITH AN EARTH CONTACT.

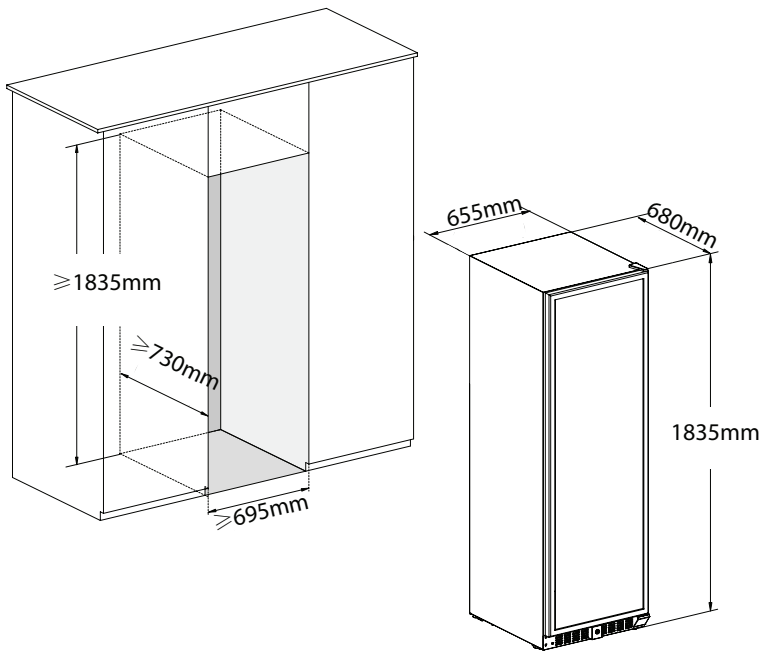
# DESCRIPTION OF APPLIANCE & INSTALLATION

The following pictures only show description of appliance. The dimension and shelf quantity may differ among the models of the same series.

## ■ CONTROL IN CABINET

### Single Zone 143 Bottles





# ACCESSORY INSTALLATION BEFORE OPERATING

## ■ UNPACKING AND CLEANING THE WINE COOLER

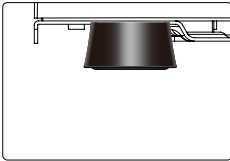
- Remove the exterior and interior packing materials.
- Let the appliance stand upright for approximately **24 hours** before connecting it to the power source, which helps to reduce the possibility of a cooling-system malfunction from handling during transportation.
- Use a soft cloth to clean the interior surface with lukewarm water.

**IMPORTANT: The front louver at the base of the appliance is for ventilation. Nothing should be placed in front of this front louver; otherwise your Wine Cooler may not operate properly.**

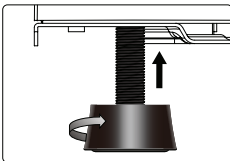
- A decorative plinth can be fitted to the front of the base vent, a cut-out should be made in the plinth with bigger size than the front louver. The cut out is required whether the front louver is removed or not.

## ■ ADJUSTING THE HEIGHT AND LEVELLING OFF YOUR WINE CABINET

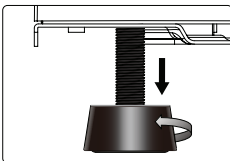
- The appliance is equipped with adjustable feet, so that the height may be adjusted to level the cabinet on uneven floor surfaces.
- We recommend that two people carry out this procedure.
- The height must be adjusted prior to building the appliance into the housing unit and it should be set at such a height that the top panel of the appliance fits exactly below the kitchen worktop.



- Tilt the appliance approximately 60° to allow access to the adjustable feet.
- Take care to ensure the cabinet is supported at all times.



- Twist the foot into a suitable position to level the cabinet.



- Repeat these steps for the other adjustable feet.

**IMPORTANT: If the appliance is not level, then the door and door seal may be affected.**

**IMPORTANT: Do not move the appliance when the feet are adjusted high.**

## ■ LOCK & UNLOCK THE DOOR (FOR OPTION)

- Lock is an optional function. If your Wine Cooler has such function, a key should be attached inside the packing of this Manual.
- Insert the key into the lock and turn it counter-clockwise to unlock the door. To lock it, please turn clockwise. Please save the key well.

## OPERATING THE WINE COOLER

### ■ WORKING CLIMATE

- The appliance is designed for operating from SN to N climate (see below climate class chart). It is recommended to maintain the ambient around 22-25°C which helps the appliance working with low power consumption.

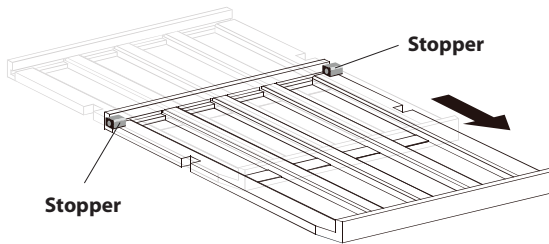
Klimaklasse	Romtemperatur
SN	10 - 32 °C (50°F-90°F)
N	16 - 32 °C (61°F-90°F)
ST	16 - 38 °C (61°F-100°F)
T	16 - 43 °C (61°F-109°F)

- If the ambient temperature is above or below the designed climate range, the performance of the unit may be affected. For example, the appliance operating in extreme cold or hot conditions may cause interior temperatures to fluctuate, and the temperature set 5-22°C may not be reached sometimes.



## ■ WINE STORAGE

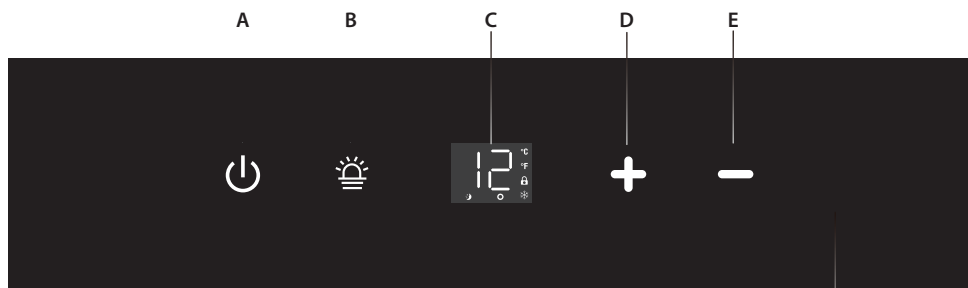
- The standard shelves are designed perfectly for Bordeaux bottle storage. The maximum loaded bottles may vary subject to the different size or dimension wine bottles you store.
- The shelves is allowed to be pulled out by about 1/3 length of it for easy access to the wine storage.



- To prevent damaging the door gasket, make sure to have the door opened fully all the way before pulling the shelves out.
- Please store wine in sealed bottles.
- Do not cover the shelves with aluminum foil or any other shelf material which may prevent air circulation.
- Should the wine cooler be left empty for long periods it is suggested that the appliance is unplugged, and after careful cleaning, leave the door ajar to allow air to circulate inside the cabinet in order to avoid possible condensation, mold or odours forming.
- Pay attention to the recommended/preferable storage time of the wines you bought.
- Opening the door for long periods can cause a significant increase of the temperature in the compartments of the appliance. The recommended temperatures for chilling, storing your wines is as below, please choose zones and temperatures accordingly.

Wine Type	Recommender Temp.
Red Wines	15 - 18°C (59°F-64°F)
Dry/White Wines	9 - 14°C (48°F-57°F)
Rose Wines	10 - 11°C (50°F-52°F)
Sparkling Wines	5 - 8°C (41°F-46°F)

## ■ CONTROL PANEL (CONTROL IN CABINET)



A. Power

B. Lighting

C. Display Window


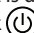
D. Temp. Plus

E. Temp. Minus

A+B. Lock / Unlock

D+E. °C/°F Switch

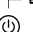


## ■ POWER ON/OFF CONTROL

- When the appliance is plugged in to a power outlet, it powers on automatically.
- Touch the power mark  and hold for **10 seconds** to turn off (or turn on) the appliance.
- No matter it is under a locked or unlocked condition, you can turn off the appliance by touching the power mark  and holding for **10 seconds**.





**Warning:** To avoid damaging the compressor, please do not turn on the appliance again within **5 minutes** after you turn it off.

## ■ UNLOCKING THE CONTROL PANEL

- For single zone, touch the power mark and lighting mark   with 2 fingers at the same time and hold for **3 seconds**. When unlocked a buzz sound will be heard.
- For dual zone, touch the lock mark  and hold for **3 seconds**. When unlocked a buzz sound will be heard.
- Under the locked condition, the control panel will not react to any touching order for Lighting On/Off and Temperature Setting.

## ■ INTERIOR LIGHTING ON/OFF CONTROL

- Under the unlocked condition, touch the lighting mark  to turn on (or turn off) the interior cool LED lighting.
- The lighting will stay on until it is manually turned off.
- The illumination of the appliance employs a two-stage loop control. The illumination will be 100% bright when you touch the lightning mark for the first time. The brightness will switch to 50% when you touch the mark  for the second time. And the illumination lamps will all go out for the third time when you touch the key. The control is in loop for the subsequent operation.
- This product contains an LED light source with energy efficiency class G.

## ■ TEMPERATURE DISPLAY WINDOW

- The temperature is displayed in digital which is the best way to be read out. The digital is shown as the set temperature when you are setting the temperature.
- When the temperature probe is out of order, the display window will show with “**HH**” or “**LL**” instead of a digital figure while continuous buzz sound will be heard. In case of this happens, this appliance is considerably designed to keep periodical running of compressor and fans which helps to keep the coldness of the inside cabinet to protect your stored wines.



**Warning:** To avoid destroying your stored wines, it is strongly recommended to have the appliance repaired immediately, as the spare periodical running can not ensure the appliance to achieve the temperature you have set.

## ■ TEMPERATURE SETTING

- The temperature setting range is 5-20 °C (41-68 °F).
- Directly touch the **+** or **-** mark to set the wine cooler temperature as you want.
- The first touch on **+** or **-** mark will recall the previous set temperature displayed.
- Touch the mark **+** to increase the set temperature by 1°C (or by 1°F). On the contrary, touch the **-** mark to decrease the set temperature by 1°C (or by 1°F).




## ■ SELECTING FAHRENHEIT(°F) & CELSIUS (°C) DISPLAY

- Touch the marks **+** **-** with 2 fingers at the same time and hold for 3 seconds, you can interchange the Fahrenheit and Celsius display.

## ■ SELECTING SET TEMPERATURE & ACTUAL TEMPERATURE

- When locked condition, press the marks **+** **-** with 2 fingers at the same time and hold for 5 seconds, you'll enter the selecting when you heard a BI sound.
- Press the mark **-** to choose '01' or '02' mode as you desired.
- If the display window will flash '01', which means the display mode is showing actual temperature.
- If the display window will flash '02', which means the display mode is showing set temperature.
- Leave the display windows flashing for 5 seconds with a sound of beep to confirm the setting.

## ■ SELECTING ENERGY SAVING MODE

- Display screen mode setting: When system is in locked-state, steadily press the mark  for 3 seconds, with a sound of buzzer beeping, the indicator LED8 will light up, indicating that system has changed to screen-off mode. In the same way, the indicator LED8 will be extinguished with a sound of buzzer beeping when system has been switched into screen-always-on mode.
- When you touch the power key  in the condition of screen-off mode, the backlight lamps of the keys and the digital display screen will all go out.
- When you touch the power key  in the condition of screen-always-on mode, all the backlight lamps of the keys will go out, the digital display screen will keep lighting.
- When system is in screen-off mode, touching any key will light the display screen.

## ■ FUNCTION INDICATING LIGHT



Function  
Indicator

- o When the compressor starts to work, the Indicator will stay on.
- o In other conditions, the Indicator will be off.

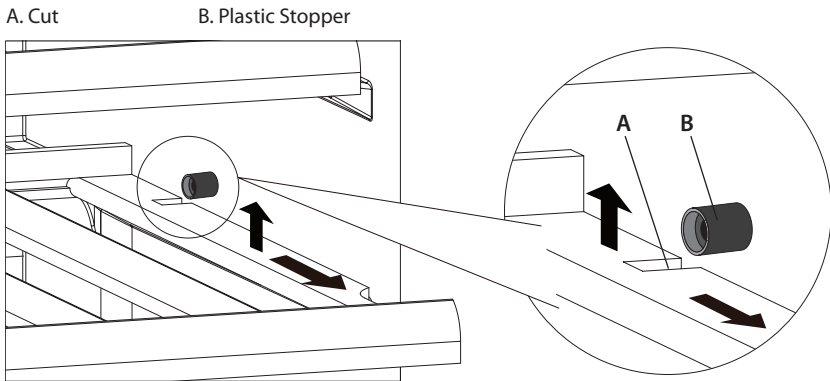
## CARE AND MAINTENANCE

### ■ CLEANING THE WINE COOLER

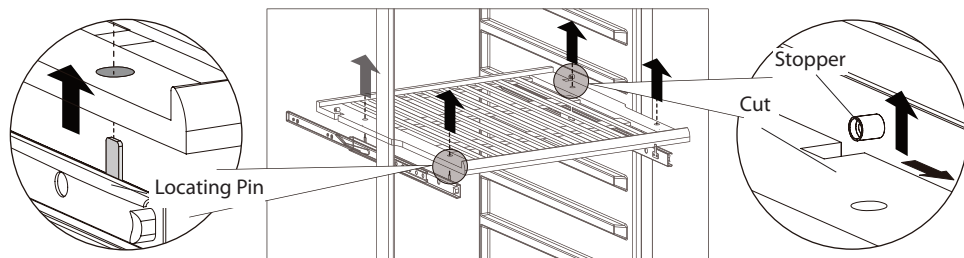
- Turn off the power, unplug the appliance, and remove all items including shelves.
- Wipe the inside surfaces with a sponge and baking soda solution. The solution should be about 2 tablespoons of baking soda to 1 quart (approx. 1 litre) of warm water.
- Wash the shelves with a mild detergent solution. Allow wooden shelves to dry before placing back into the wine cooler.
- Wring excess water out of the sponge or cloth when cleaning area of the controls, or any electrical parts.
- Wipe the outside cabinet with warm water and mild liquid detergent. Wipe dry with a clean soft cloth.
- Do not use steel wool or steel brush on the stainless steel. These will scratch the stainless steel with steel particles and rusting may occur.

### ■ REMOVING THE SHELVES

- Before removing a Shelf from the appliance, it is necessary to remove all the bottles on the Shelf.
- For a model without Telescopic Rail, move the shelf to the position where the cut of the wooden shelf is directly under the plastic stopper and lift the wooden shelf. Please ensure these are replaced when the shelf is put back.
- Make sure the shelves are fully engaged before loading any bottle into the cabinet. Pull the shelves out all the way to the STOPPER position and push them back in several times to make sure the shelves are properly engaged.



- For a model with Telescopic Rail, pls. lift the whole Shelf upwards horizontally to get it off from the 4 Locating Pins of Telescopic Rail.



## ■ CARBON FILTER CHANGE (OPTION)

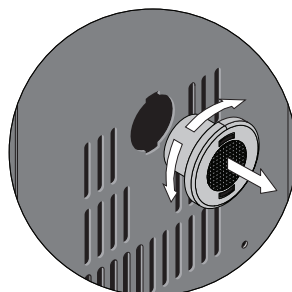
A good ambient air quality is important for wine maturing. The Carbon Filter is very helpful to absorb odor and improve air quality. For the models with Carbon Filter, we suggest to replace it once a year. Pls. contact your dealer to get the filter.

Removing the Carbon Filter:

- o Hold the Carbon Filter and turn it 90° to the left or right to Remove it;

Reinstalling the Carbon Filter:

- o Hold the Carbon Filter and turn it 90° to the left or right until it clicks into place.



## ■ DEFROSTING

- o Defrosting occurs automatically inside of the Wine Cooler during operation. The defrost water is collected by the evaporating tray and evaporates automatically.
- o The evaporating tray and defrost water drain hole should be cleaned periodically. This will prevent water from collecting in the bottom of the Wine Cooler, instead of flowing down the defrost drainage channel and drain hole.
- o You can also pour a small amount of water down the drain hole to clean inside of it.
- o You should be careful to make sure that wine bottles do not touch the rear wall of the appliance, as this can interrupt the automatic defrosting process and deflect water into the base of your Wine Cooler.

## ■ MOVING YOUR WINE COOLER

If you need to move your Wine Cooler to another location you should follow the steps outlined below.

- o Remove all items from the Wine Cooler.
- o Securely tape down all loose items such as the shelves inside of the appliance.
- o Turn the adjustable foot up to the base to avoid damage.
- o Tape the door closed.
- o Ensure the appliance stays secure in the upright position during transportation. Also protect the outside of the appliance with a blanket or similar item.

## ■ POWER FAILURE

- If power is cut to the appliance, for a few hours it will be able to maintain the temperature inside the cabinet. Providing that the number of times that the door is opened is kept to a minimum.
- If the power cut is for longer than a few hours, then you will need to store the contents in an alternate location to prevent them being affected by temperature rise.

***IMPORTANT: If the appliance is unplugged, the power is lost or turned off you must wait 5 minutes before restarting the Wine Cooler. If you attempt to restart before this time delay, the compressor could be damaged.***

## ■ VACATION TIME

**Short vacations:** Leave the Wine Cooler in operation for holidays of less than 3 weeks.

**Long vacations:**

- If your appliance is not going to be in use for a period of time, you should remove the bottles of wine and switch off the appliance
- The interior should be cleaned with a solution of bicarbonate of soda and lukewarm water.
- The interior should then be thoroughly dried.
- To prevent mould growth, the door should be left slightly ajar.

## ■ DISCONNECTING FROM POWER

- If the unit is unplugged, or there is a power cut, you must wait for 5 minutes before restarting. Attempting to restart the Wine Cooler before 5 minutes has elapsed, may cause it not to function.

## TROUBLESHOOTING

If you feel the appliance is not working properly, follow these instructions to try to see if you can solve the problem simply by yourself before calling for service.

No.	PROBLEM	PROBLEM POSSIBLE CAUSE / MEASURE
1	The wine cooler does not operate.	Not plugged in. The appliance is turned off. The circuit breaker tripped or a blown fuse.
2	The wine cooler is not cold enough.	Check the temperature control setting. External environment may require a higher setting. The door is opened too frequently. The door is not closed completely. The door gasket does not seal properly.
3	Automatically turn-on and turn-off frequently.	The room temperature is hotter than normal. A large amount of contents has been added to the wine cooler. The door is opened too frequently. The door is not closed completely. The temperature control is not set correctly. The door gasket does not seal properly.
4	The lighting does not work.	Not plugged in. The circuit breaker tripped or a blown fuse. The lighting is turned off. Contact a service center for repairs and replacements.
5	Too much vibration.	Check to assure that the appliance is level. Check to assure no parts inside the cabinet or in the compressor chamber are loose.
6	The wine cooler seems to make too much noise.	The rattling noise may come from the flow of the refrigerant, which is normal. As each cycle ends, you may hear gurgling sounds caused by the flow of refrigerant. Contraction and expansion of the inside walls may cause popping and crackling noises. The appliance is not level.
7	The door will not close properly.	The wine cooler is not level. The door was reversed and not properly installed. The gasket is dirty. The shelves are out of position.
8	The display window is shown with "HH" or "LL" instead of a digital figure, and/or with continuous buzz sound.	The temperature probe is out of order.



## REVERSE THE DOOR SWING


### Remarks:

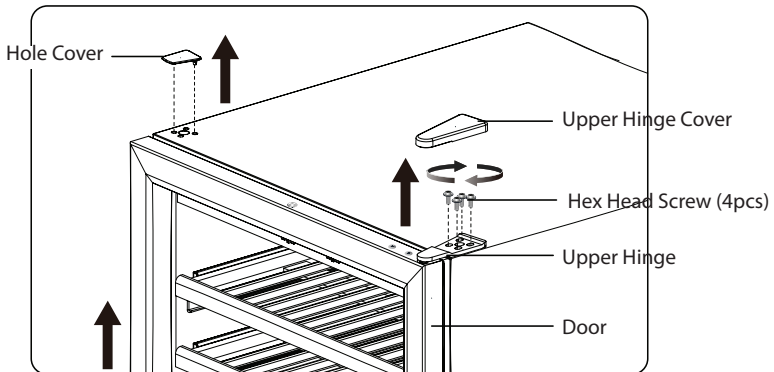
- The following operations are available for a model with control in cabinet only and with Right Door Hinge installed.
- All removed parts must be saved in order to do the door reinstallation.

### ■ CONTROL IN CABINET

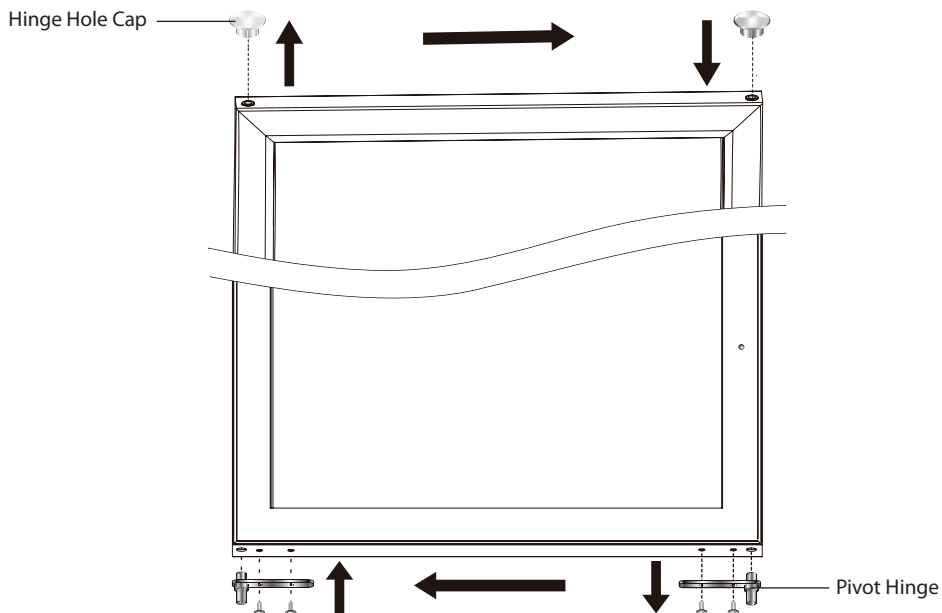
#### **IMPORTANT INFORMATION**

*We recommend that you secure the racks in place using adhesive tape to prevent causing damage when handling the appliance and store all removed parts carefully.*

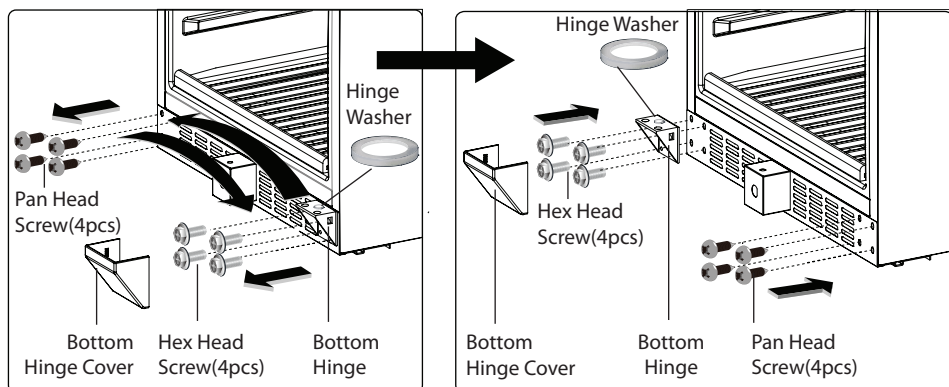
1. Remove the Hole Cover and Upper Hinge Cover on top side using a flat-head screwdriver. Remove the Upper Hinge by unscrewing the Hex Head Screws (4pcs). Now carefully lift the Door off the Bottom Hinge with your assistant and gently set it aside. It is important to keep the Hinge Washer  on the top of Bottom Hinge for re-installation.



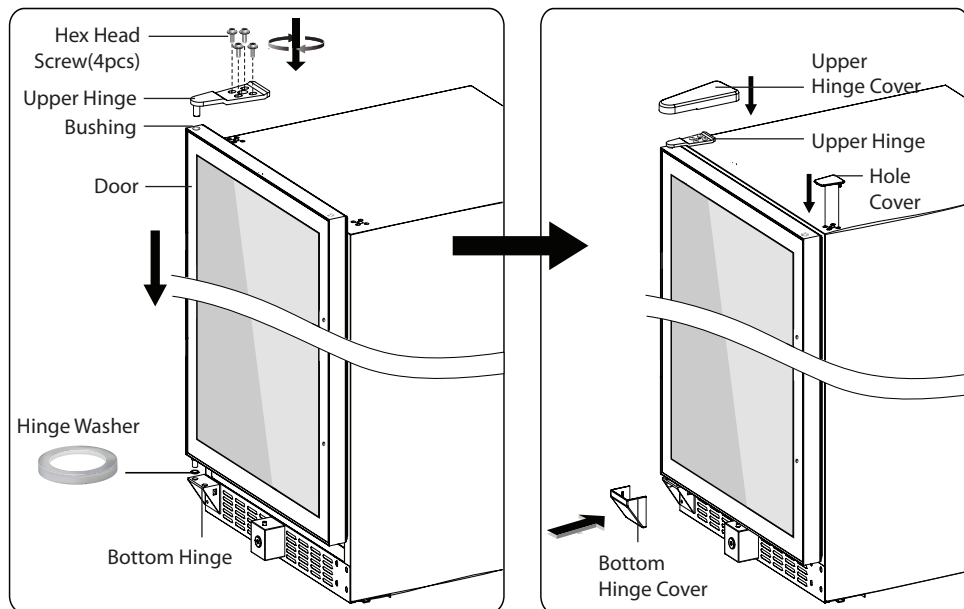
2. Move the Hinge Hole Cap (at the top of the door) from the left side to the right side. Move the Pivot Hinge (at the bottom of the door) from the right to the left side.



- 3.** Remove the Bottom Hinge Cover by prying it off gently with small flat screwdriver. Remove the Bottom Hinge by unscrewing the Hex Head Screw (4pcs). Unscrew the Pan Head Screw (4pcs) from bottom left side. Now move the Bottom Hinge to the bottom left side and screw it tightly with the Hex Head Screws (4pcs). Move the Pan Head Screw (4pcs) to the bottom right side and screw it.



4. Hold the Door carefully with your assistant and place it on the top of Bottom Hinge, make sure the Pivot Hinge is at correct place through the Hinge Washer. Insert the pin of the Upper Hinge into the Bushing on the top right and fix it with Hex Head Screw (4pcs). Cover the Upper Hinge and Bottom Hinge with Upper Hinge Cover and Bottom Hinge Cover. Cover hinge screw holes on the top right with the Hole Cover.



# PRODUCT INFORMATION SHEET

## Product Information Sheet

PHILCO 

COMMISSION DELEGATED REGULATION (EU) 2019/2016

**Supplier's name or trademark:** PHILCO

**Supplier's address:** PHILCO, FAST ČR, a.s. U Sanitasu 1621 Říčany 251 01, Czech Republic

**Model identifier:** PW 143 GLV

**Type of refrigerating appliance:** Wine cooler

Low-noise appliance:	No	Design type:	built-in
Wine storage appliance:	Yes	Other refrigerating appliance:	No

### General product parameters:

Parameter	Value	Parameter	Value
Overall dimensions (millimetre)	Height	Total volume (dm <sup>3</sup> or l)	472
	Width		
	Depth		
Energy efficiency Index (EEL)	144	Energy efficiency class*	G
Airborne acoustical noise emissions (dB(A) re 1 pW)	40	Airborne acoustical noise emission class	C
Annual energy consumption (kWh/a)	162,0	Climate class:	temperate, subtropical
Minimum ambient temperature (°C), for which the refrigerating appliance is suitable	16	Maximum ambient temperature (°C), for which the refrigerating appliance is suitable	38
Winter setting	No		

### Compartment Parameters:

Compartment type	Compartment parameters and values				
	Compartment volume (dm <sup>3</sup> or l)	Recommended temperature setting for optimised food storage (°C) These settings shall not contradict the storage conditions set out in Annex IV, Table 3	Freezing capacity (kg/24h)	Defrosting type (auto-defrost=A, manual defrost=M)	
Pantry	No	-	-	-	-
Wine storage	Yes	472,0	-	-	A
Cellar	No	-	-	-	-

Fresh food	No	-	-	-	-
Chill	No	-	-	-	-
0-star or ice-making	No	-	-	-	-
1-star	No	-	-	-	-
2-star	No	-	-	-	-
3-star	No	-	-	-	-
4-star	No	-	-	-	-
2-star section	No	-	-	-	-
Variable temperature compartment	-	-	-	-	-
<b>Light source parameters:</b>					
Type of light source	LED				
Energy efficiency class	G				
<b>Minimum duration of the guarantee offered by the manufacturer:</b> 24 months					
<b>Additional information:</b>					
<b>Weblink to the manufacturer's website, where the information in point4(a) Annex of Commission Regulation (EU) 2019/2019 is found:</b> <a href="http://www.philco.cz">www.philco.cz</a>					

\* A (highest efficiency) to G (lowest efficiency)

## TECHNICAL INFORMATION

Technical information can be found on the type plate on the inside of the appliance and on the energy label. The QR code, on the supplied energy label, contains a link to register the appliance in the EU Eprel database. Keep the energy label, the instructions for use, together with other documents supplied with the device.

## TESTING INFORMATION

The delivered device is in accordance with EcoDesign and EN62552-1/-2/-3:2020, EN60704-1:2010+A11:2012, EN60704-2-14:2013+A11:2015+A12019. Air access requirements for proper operation of the device, the minimum distance from the wall and the dimensions of the device are part of this manual. If you have any further questions, please contact the manufacturer.

## CUSTOMER CARE AND SERVICE

Always use original spare parts.

Model name and serial number can be found on the rating plate. Position of rating plate can be changed without notice.

The original spare parts for some specific components are available for a minimum of 7 or 10 years, based on the type of component, from the placing on the market of the last unit of the model.

When contacting our authorized service, have the model designation, serial number and defect description available.

To download documents, visit [www.philco.cz](http://www.philco.cz).

To report a defect and obtain additional service information, visit <https://philco.cz/podpora-a-servis>.

Subject to change without notice.

## INSTRUCTIONS AND INFORMATION REGARDING THE DISPOSAL OF USED PACKAGING MATERIALS

Dispose of packaging material at a public waste disposal site.

## DISPOSAL OF USED ELECTRICAL AND ELECTRONIC APPLIANCES



The meaning of the symbol on the product, its accessory or packaging indicates that this product shall not be treated as household waste. Please, dispose of this product at your applicable collection point for the recycling of electrical & electronic equipment waste. Alternatively in some states of the European Union or other European states you may return your products to your local retailer when buying an equivalent new product. The correct disposal of this product will help save valuable natural resources and help in preventing the potential negative impact on the environment and human health, which could be caused as a result of improper liquidation of waste. Please ask your local authorities or the nearest waste collection centre for further details. The improper disposal of this type of waste may fall subject to national regulations for fines.

### For business entities in the European Union

If you wish to dispose of an electrical or electronic device, request the necessary information from your seller or supplier.

### Disposal in other countries outside the European Union

If you wish to dispose of this product, request the necessary information about the correct disposal method from local government departments or from your seller.



This product meets all the basic EU regulation requirements that relate to it.

Changes to the text, design and technical specifications may occur without prior notice and we reserve the right to make these changes.

Original of this user manual is Czech.



**WARNING!** DURING USING, SERVICE AND DISPOSAL THE APPLIANCE, PLEASE PAY ATTENTION TO SYMBOL SIMILAR AS LEFT SIDE, WHICH IS LOCATED ON REAR OF APPLIANCE (REAR PANEL OR COMPRESSOR) AND WITH YELLOW OR ORANGE COLOR.



IT'S RISK OF RE WARNING SYMBOL. THERE ARE FLAMMABLE MATERIALS IN REFRIGERANT PIPES AND COMPRESSOR. PLEASE BE FAR AWAY RE SOURCE DURING USING, SERVICE AND DISPOSAL.

# Vinotéka

## NÁVOD K OBSLUZE

**PHILCO**



*Famous for Quality the World Over*

**PW 143 GLV**



**Děkujeme, že jste si vybrali tento výrobek.**

**Před požíváním své nové chladničky si prosím přečtěte tento návod k obsluze, abyste z ní získali co největší užitek.**

# OBSAH

BEZPEČNOSTNÍ POKYNY .....	3
POPIS SPOTŘEBIČE A JEHO INSTALACE .....	7
INSTALACE PŘÍSLUŠENSTVÍ PŘED POUŽITÍM PRODUKTU .....	9
OBSLUHA VINOTÉKY .....	10
PÉČE A ÚDRŽBA .....	15
ŘEŠENÍ PROBLÉMŮ .....	18
ZMĚNA SMĚRU OTEVÍRÁNÍ DVÍŘEK .....	19
INFORMAČNÍ LIST .....	22



Zařízení bylo testováno podle platných směrnic Evropské unie.

Zařízení vyhovuje bezpečnostním ustanovením platným pro elektrické spotřebiče v Evropské unii.

## **VÁŽENÝ ZÁKAZNÍKU:**

Děkujeme Vám za koupi této chladničky. Abyste při používání této chladničky dosáhli nejlepších výsledků, přečtěte si tento návod k obsluze.

Ujistěte se, že obalový materiál je zlikvidován v souladu s aktuálními environmentálními požadavky.

Při likvidaci jakéhokoliv chladicího zařízení kontaktujte místní úřad pro likvidaci odpadu, kde vám budou poskytnuty informace o bezpečné likvidaci.

Tento spotřebič je možné používat pouze k určenému účelu.

## **POZOR:**

Spotřebič nesmějí používat malé děti nebo starší osoby bez dozoru. Na malé děti byste měli dohlížet, aby si spotřebičem nehrály.

## BEZPEČNOSTNÍ POKYNY

TENTO SPOTŘEBIČ MOHOU POUŽÍVAT DĚTI VE VĚKU 8 LET A STARŠÍ A OSOBY SE SNÍŽENÝMI FYZICKÝMI, SMYSLOVÝMI NEBO MENTÁLNÍMI SCHOPNOSTMI NEBO S NEDOSTATKEM ZKUŠENOSTÍ A ZNALOSTÍ, POKUD JSOU POD DOZOREM NEBO BYLY POUČENY O POUŽÍVÁNÍ SPOTŘEBIČE BEZPEČNÝM ZPŮSOBEM A ROZUMÍ PŘÍPADNÝM NEBEZPEČÍM.

DĚTI SI SE SPOTŘEBIČEM NESMĚJÍ HRÁT. ČIŠTĚNÍ A ÚDRŽBU NESMĚJÍ PROVÁDĚT DĚTI BEZ DOZORU. DĚTI VE VĚKU 3 AŽ 8 LET MOHOU VKLÁDAT A VYJÍMAT POTRAVINY Z CHLADICÍCH SPOTŘEBIČŮ.

POKUD JE PŘÍVODNÍ KABEL POŠKOZEN, JEHO VÝMĚNU SVĚŘTE ODBORNÉMU SERVISNÍMU STŘEDISKU, ABY SE ZABRÁNILO VZNIKU NEBEZPEČNÉ SITUACE. SPOTŘEBIČ S POŠKOZENÝM PŘÍVODNÍM KABLEM JE ZAKÁZÁNO POUŽÍVAT.



VÝROBNÍKY LEDU, KTERÉ NEJSOU URČENY PRO PŘIPOJENÍ K PŘÍVODU VODY PLŇTE POUZE PITNOU VODOU.



VĚTRACÍ OTVORY V KRYTU SPOTŘEBIČE NEBO V JEHO KONSTRUKCI JE NUTNO UDRŽOVAT VOLNÉ.



K URYCHLENÍ ODMRAZOVACÍHO PROCESU NEPOUŽÍVAT MECHANICKÁ ZAŘÍZENÍ NEBO JINÉ PROSTŘEDKY NEŽ TY, KTERÉ JSOU DOPORUČENY VÝROBCEM.



NEPOŠKOZOVAT CHLADICÍ OBVOD.



NEPOUŽÍVAT ELEKTRICKÉ SPOTŘEBIČE V PROSTORU PRO UCHOVÁVÁNÍ POTRAVIN SPOTŘEBIČE, POKUD SE NEJEDNÁ O TYPY DOPORUČENÉ VÝROBCEM.

NEUKLÁDAT V TOMTO SPOTŘEBIČI VÝBUŠNÉ LÁTKY TAKOVÉ, JAKO JSOU SPREJE S HOŘLAVÝM HNACÍM PLYNEM.

TENTO SPOTŘEBIČ JE URČEN PRO POUŽITÍ VÝHRADNĚ V DOMÁCNOSTI A NIKOLIV V PODOBNÝCH PROSTORECH, JAKO JSOU:

- KUCHYŇSKÉ KOUTY V OBCHODECH, KANCELÁŘÍCH A OSTATNÍCH PRACOVIŠTÍCH;
- SPOTŘEBIČE POUŽÍVANÉ HOSTY V HOTELÍCH, MOTELECH A JINÝCH OBYTNÝCH PROSTŘEDÍCH;
- SPOTŘEBIČE POUŽÍVANÉ V PODNICÍCH ZAJIŠŤUJÍCÍCH NOCLEH SE SNÍDANÍ;
- SPOTŘEBIČE POUŽÍVANÉ VE STRAVOVACÍCH A PODOBNÝCH NEPRODEJNÍCH PROSTŘEDÍCH.



VÝROBNÍKY LEDU URČENÉ PRO PŘIPOJENÍ K PŘÍVODU VODY PŘIPOJUJTE POUZE NA PŘÍVOD PITNÉ VODY.



SPOTŘEBIČ MUSÍ BÝT PŘIPEVNĚN PODLE NÁVODU, ABY SE ZABRÁNILO NEBEZPEČÍ ZPŮSOBENÝM JEHO NESTABILITOU.



ZNAČKA ISO 7000-1701 (2004-01) OZNAČUJE MÉDIUM POD TLAKEM.



NEBEZPEČÍ OHNĚ / HOŘLAVÉ MATERIÁLY!



CHLADICÍ SYSTÉM OBSAHUJE CHLADIVO POD VYSOKÝM TLAKEM. NEMANIPULUJTE SE SYSTÉMEM. MUSÍ BÝT OPRAVOVÁN POUZE KVALIFIKOVANOU OSOBOU.

# R600A

OBSAHUJE CHLADICÍ PLYN IZOBUTAN, KTERÝ JE HOŘLAVÝ. BĚHEM PŘEPRAVY A INSTALACE SPOTŘEBIČE ZABRAŇTE POŠKOZENÍ KOMPONENT CHLADICÍHO OKRUHU.



PŘI UMÍSŤOVÁNÍ SPOTŘEBIČE SE MUSÍ ZAJISTIT, ABY NAPÁJECÍ PŘÍVOD NEBYL ZACHYCEN NEBO POŠKOZEN.



NEUMÍSŤOVAT VÍCENÁSOBNÉ PŘENOSNÉ ZÁSUVKY NEBO PŘENOSNÉ PRODLUŽOVACÍ PŘÍVODY NA ZADNÍ STRANU SPOTŘEBIČE.

## OSTATNÍ DOPORUČENÍ/INSTALACE

### ELEKTRICKÁ BEZPEČNOST:

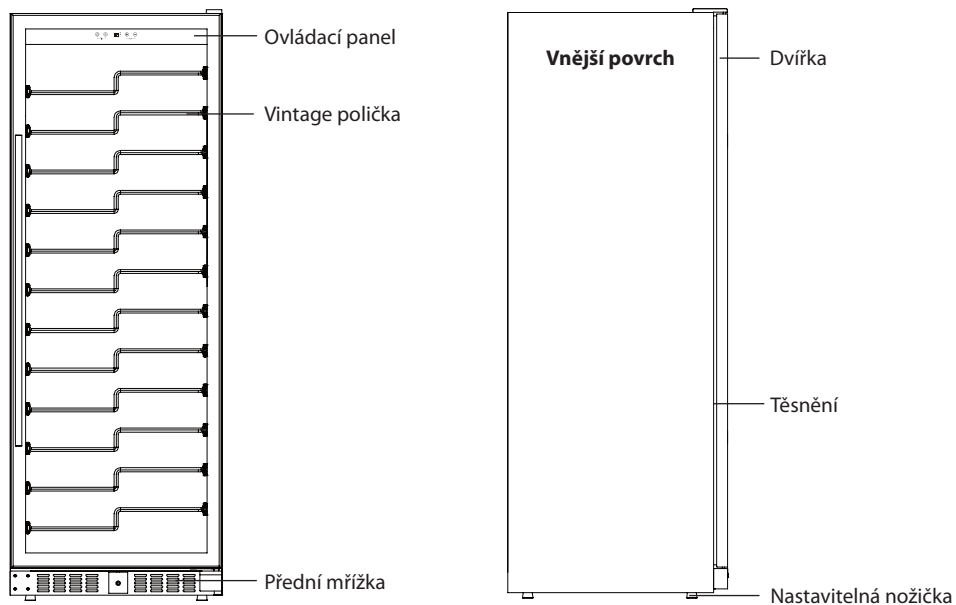
- NAPÁJECÍ KABEL NESMÍ BÝT PRODLUŽOVÁN.
- UJISTĚTE SE, ŽE ZÁSTRČKA NAPÁJECÍHO KABELU NENÍ POŠKOZENÁ, MOHLA BY SE PŘEHŘÍVAT A ZPŮSOBIT POŽÁR.
- PŘI UMISŤOVÁNÍ SPOTŘEBIČE SE MUSÍ ZAJISTIT, ABY NAPÁJECÍ KABEL NEBYL ZACHYCEN, NEBO POŠKOZEN.
- NEUMISŤUJTE VÍCENÁSOBNÉ PŘENOSNÉ ZÁSUVKY, NEBO PŘENOSNÉ PRODLUŽOVACÍ KABELY NA ZADNÍ STRANU SPOTŘEBIČE.
- SPOTŘEBIČ NESMÍ STÁT NA PŘÍVODNÍM KABELU.
- SPOTŘEBIČ NESMÍ BÝT UMÍSTĚN VE VLHKÉM PROSTŘEDÍ, PŘÍVODNÍ KABEL NESMÍ LEŽET VE VODĚ.
- UJISTĚTE SE, ŽE MÁTE VOLNÝ PŘÍSTUP K ZÁSTRČCE SPOTŘEBIČE.
- NETAHEJTE ZA NAPÁJECÍ KABEL.
- POKUD JE ELEKTRICKÁ ZÁSUVKA UVOLNĚNÁ, NEPŘIPOJUJTE K NÍ ZÁSTRČKU. HROZÍ RIZIKO ÚRAZU ELEKTRICKÝM PROUDEM, NEBO RIZIKO VZNIKU POŽÁRU.
- TENTO SPOTŘEBIČ NESMÍTE POUŽÍVAT BEZ KRYTU VNITŘNÍHO OSVĚTLENÍ.
- CHLADNIČKA JE URČENA POUZE NA NAPÁJENÍ Z JEDNÉ FÁZE STŘÍDAVÉHO PROUDU S HODNOTAMI 220 – 240 V/50 HZ. POKUD JE KOLÍSÁNÍ NAPĚTÍ V MÍSTĚ BYDLIŠTĚ UŽIVATELE TAK VELKÉ, ŽE PŘESAHUJE UVEDENÉ LIMITY, Z BEZPEČNOSTNÍCH DŮVODŮ POUŽIJTE PRO CHLADNIČKU AUTOMATICKÝ NAPĚŤOVÝ REGULÁTOR S VÍCE NEŽ 350 W.
- ZÁSTRČKA MUSÍ ODPOVÍDAT ZÁSUVCE S UZEMŇOVACÍM KONTAKTEM.

## POPIS SPOTŘEBIČE A JEHO INSTALACE

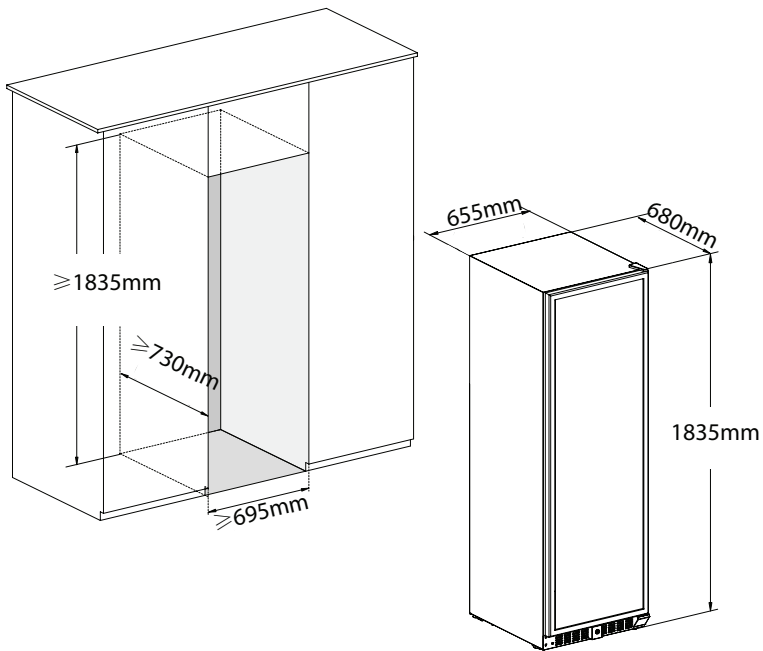
Následující obrázky zobrazují pouze popis spotřebiče. Rozměry a množství poliček se mohou mezi modely stejné série lišit.

### ■ OVLÁDACÍ PRVKY UVNITŘ

Jedna zóna **143** láhví







# INSTALACE PŘÍSLUŠENSTVÍ PŘED POUŽITÍM PRODUKTU

## ■ VYBALENÍ A OČIŠTĚNÍ VINOTÉKY

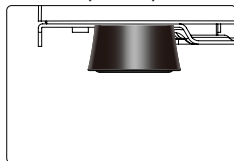
- Odstraňte vnější a vnitřní obalové materiály.
- Před připojením ke zdroji energie nechte tento spotřebič přibližně **24 hodin** stát ve svislé poloze, aby se minimalizovalo nebezpečí poruchy chladicího systému z důvodu manipulace během přepravy.
- Pomocí jemného hadříku očistěte vnitřní povrch vlažnou vodou.

**DŮLEŽITÉ: Přední mřížka na základně spotřebiče je určena na odvětrávání. Před tuto přední mřížku nepokládejte žádné předměty, jinak nemusí vinotéka fungovat správně.**

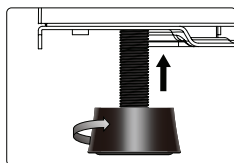
- K přední části větracích otvorů základny lze připevnit ozdobný podstavec – v tomto podstavci by se měl udělat výřez větší velikosti, než je přední žaluzie. Tento výřez je vyžadován bez ohledu na to, zda je přední žaluzie odstraněna nebo ne.

## ■ NASTAVENÍ VÝŠKY A VYROVNÁNÍ VAŠÍ VINOTÉKY

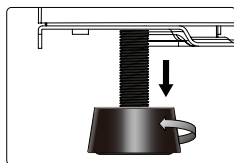
- Tento spotřebič je vybaven nastavitelnými nožičkami, takže jeho výšku lze nastavit tak, aby byla skříňka na nerovných podlahách vyrovnaná.
- Doporučujeme, aby tuto operaci prováděly dvě osoby.
- Výšku je třeba nastavit před vestavěním spotřebiče do linky a tato výška by měla být nastavena tak, aby se horní panel spotřebiče přesně vešel pod pracovní plochu kuchyňské linky.



- Nakloňte spotřebič o přibližně 60° k získání přístupu k nastavitelným nožičkám.
- Zajistěte, aby byl spotřebič neustále podpírán.



- Zašroubujte nožičku do vhodné polohy na vyrovnání skříňky.



- Opakujte tyto kroky u dalších nastavitelných nožiček.

**DŮLEŽITÉ: Pokud není spotřebič vyrovnán, může to mít negativní vliv na dvířka a těsnění dvířek.**

**DŮLEŽITÉ: Nepřemísťujte spotřebič, jehož nožičky jsou vysoce vysunuté.**

## ■ ODEMKNUTÍ A UZAMKNUTÍ DVÍŘEK (VOLITELNÁ MOŽNOST)

- Uzamknutí je volitelnou funkcí. Pokud je vaše vinotéka touto funkcí vybavena, měli byste v balení tohoto návodu najít klíč.
- Vložte klíč do zámku a otočte ho proti směru hodinových ručiček na odemknutí dvířek. Na uzamknutí ho otočte ve směru hodinových ručiček. Klíč si dobře uschovejte.

## OBSLUHA VINOTÉKY

### ■ KLIMATICKÁ TŘÍDA

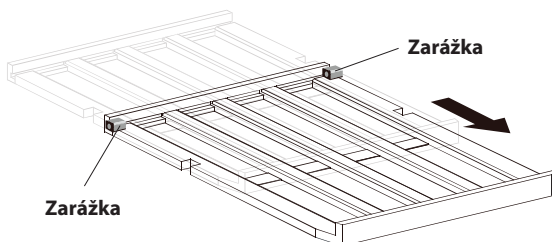
- Tento spotřebič je navržen pro provoz v klimatické třídě SN až N (viz tabulka níže klimatických tříd). Doporučujeme vám, abyste udržovali teplotu okolí 22–25 °C, při níž má spotřebič nízkou spotřebu energie.

Klimatická třída	Teplota v místnosti
SN	10 - 32 °C (50 °F - 90 °F)
N	16 - 32 °C (61 °F - 90 °F)
ST	16 - 38 °C (61 °F - 100 °F)
T	16 - 43 °C (61 °F - 109 °F)

- Pokud je teplota okolí nižší nebo vyšší, než je navržený klimatický rozsah, může to mít vliv na výkon spotřebiče. Například při provozu spotřebiče v extrémně chladném nebo teplém prostředí může docházet ke kolísání teplot a v některých případech nemusí být možné dosáhnout teploty 5-22 °C.

## ■ SKLADOVÁNÍ VÍNA

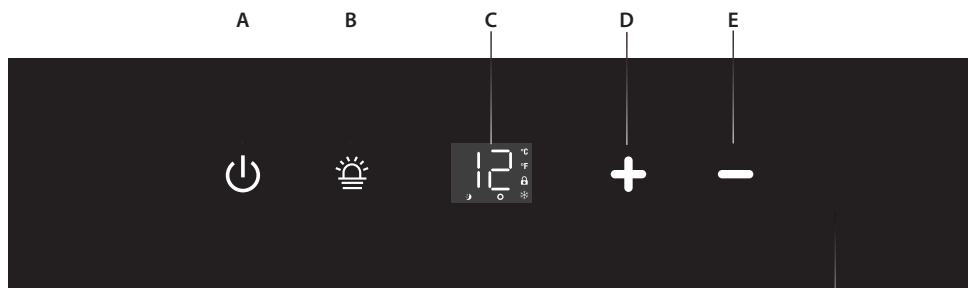
- Standardní poličky jsou navrženy na perfektní skladování láhví Bordeaux. Maximální počet vložených láhví se může lišit podle různých velikostí a rozměrů skladovaných láhví s vínem.
- Poličky je možné vytáhnout o přibližně 1/3 délky, aby byl usnadněn přístup k uskladněnému vínu.



- Aby nedošlo k poškození dveřního těsnění, zajistěte, aby byla před vytažením poliček zcela otevřená dvířka.
- Víno prosím skladujte v uzavřených láhvích.
- Nezakrývejte poličky hliníkovou fólií nebo jiným podobným materiálem, který by mohl bránit cirkulaci vzduchu.
- Pokud bude vinotéka delší dobu prázdná, doporučujeme, abyste spotřebiči odpojili a po pečlivém vyčištění ponechali dvířka pootevřená, aby uvnitř vinotéky mohl cirkulovat vzduch. Zabráníte tak případné kondenzaci, tvorbě plísní nebo zápachu.
- Doporučené teploty pro chlazení/skladování vašich vín.
- Dlouhé otevření dvířek může způsobit výrazné zvýšení teploty v přihrádkách spotřebiče. Doporučené teploty pro chlazení/skladování vašich vín jsou uvedeny níže, podle toho vyberte zóny a teploty.

Typ vína	Doporučená teplota
Červená vína	15 - 18 °C (59 °F - 64 °F)
Suchá/Bílá vína	9-14 °C (48 °F - 57 °F)
Růžová vína	10 - 11 °C (50 °F - 52 °F)
Šumivá vína	5 - 8 °C (41 °F - 46 °F)

## ■ OVLÁDACÍ PANEĽ (OVLÁDACÍ PRVKY UVNITŘ)



A. Napájení

B. Světlo

C. Displej

D. Zvýšení teploty

E. Snížení teploty

A+B. Zamknutí / Odemknutí

D+E. Přepínač °C/°F

## ■ ZAPNUTÍ/VYPNUTÍ NAPÁJENÍ

- Po připojení spotřebiče do elektrické zásuvky se napájení zapne automaticky.
- Na vypnutí (nebo zapnutí) spotřebiče se dotkněte značky napájení (⏻) a podržte ji **10 sekund**.
- Bez ohledu na stav uzamknutí nebo odemknutí můžete spotřebič vypnout dotykem značky napájení (⏻) a jejím podržením po dobu **10 sekund**.



**Varování: Aby nedošlo k poškození kompresoru, nezapínejte spotřebič znovu během 5 minut po jeho vypnutí.**

## ■ ODEMKNUTÍ OVLÁDACÍHO PANEĽU

- Při jedné zóně, dotkněte se značky napájení a značky osvětlení (⏻) (☹) 2 prsty současně a podržte je po dobu **3 sekund**. Po odemknutí uslyšíte zvukový signál.
- Při duální zóně, dotkněte se značky zámku (🔒) a podržte ji po dobu **3 sekund**. Po odemknutí uslyšíte zvukový signál.
- Ve stavu uzamknutí nebude ovládací panel reagovat na žádný dotyk na zapnutí/vypnutí osvětlení a nastavení teploty.

## ■ ZAPNUTÍ/VYPNUTÍ VNITŘNÍHO OSVĚTLENÍ

- Ve stavu uzamknutí se dotkněte značky osvětlení (☹) na zapnutí (nebo vypnutí) vnitřního LED osvětlení.
- Osvětlení zůstane zapnuté, dokud ho nevympnete manuálně.
- Osvětlení spotřebiče využívá dvoustupňové řízení smyčky. Při prvním dotyku značky osvětlení bude osvětlení 100% jasné. Po druhém dotyku značky (☹) se jas přepne na 50 %. Když se dotknete tlačítka potřeť, všechna světla zhasnou. Ovládání je ve smyčce pro následnou operaci.
- Tento výrobek obsahuje LED světelný zdroj s třídou energetické účinnosti G.

## ■ DISPLEJ ZOBRAZENÍ TEPLoty

- Teplota se zobrazuje digitálně, aby ji bylo možné nejlépe číst. Při nastavování teploty zobrazují digitální číslice nastavenou teplotu.
- Když je teplotní sonda poškozená, na displeji se místo digitální číslice zobrazí „HH“ nebo „LL“ a bude znít nepřetržitý zvukový signál. Pokud tato situace nastane, bude spotřebič díky promyšlenému designu pravidelně spouštět kompresor a ventilátory, aby udržel chlad uvnitř skříňky a ochránil tak uložená vína.



**Varování:** Aby nedošlo ke znehodnocení uložených vín, důrazně vám doporučujeme, abyste nechali spotřebič okamžitě opravit, protože záložní periodický běh nezajistí dosažení teploty, kterou jste nastavili.

## ■ NASTAVENÍ TEPLoty

- Rozsah nastavení teploty je 5–20 °C (41–68 °F).
- Přímým dotykem značky ⊕ nebo ⊖ nastavte požadovanou teplotu ve vinotéce.
- Prvním dotykem značky ⊕ nebo ⊖ vyvoláte předtím nastavenou teplotu.
- Dotykem značky ⊕ zvýšíte teplotu o 1 °C (nebo o 1 °F). Naopak dotykem značky ⊖ snížíte teplotu o 1 °C (nebo o 1 °F).


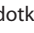

## ■ VOLBA ZOBRAZENÍ STUPŇŮ FAHRENHEITA (°F) A CELSIA (°C)

- Dotkněte se značek ⊕ ⊖ 2 prsty současně a podržte je po dobu 3 sekund, čímž můžete změnit zobrazení stupňů Fahrenheita a Celsia.

## ■ VOLBA NASTAVENÉ TEPLoty A SKUTEČNÉ TEPLoty

- V uzamknutém stavu stiskněte současně značky ⊕ + ⊖ pomocí dvou prstů a podržte je po dobu 5 sekund. Když uslyšíte zvukový signál dostanete se do volby.
- Stisknutím značky ⊖ zvolte režim „01“ nebo „02“ podle vaší potřeby.
- Pokud na displeji bude blikat „01“, znamená to, že režim zobrazení zobrazuje skutečnou teplotu.
- Pokud na displeji bude blikat „02“, znamená to, že režim zobrazení zobrazuje nastavenou teplotu.
- Nechte displej blikat po dobu 5 sekund se zvukovým signálem, abyste potvrdili nastavení.

## ■ VOLBA REŽIMU ÚSPORY ENERGIE

- Nastavení režimu zobrazení na displeji: Pokud je systém v uzamknutém stavu, podržte stisknutou značku  po dobu 3 sekund a zazní zvukový signál. Rozsvítí se LED indikátor, což indikuje, že systém se přepnul do režimu vypnutého displeje. Stejným způsobem bude LED indikátor zhasnutý se zvukovým signálem, když bude systém přepnut do režimu neustále zapnutého displeje.
- Když se dotknete tlačítka napájení  v režimu vypnutého displeje, podsvícení tlačítek a digitální displej zhasne.
- Když se dotknete tlačítka napájení  v režimu zapnutého displeje, všechna podsvícení tlačítek zhasnou, digitální displej bude stále svítit.
- Když je systém v režimu vypnutí displeje, dotek na libovolné tlačítko rozsvítí displej.

## ■ INDIKÁTOR FUNKCE



Indikátor funkce

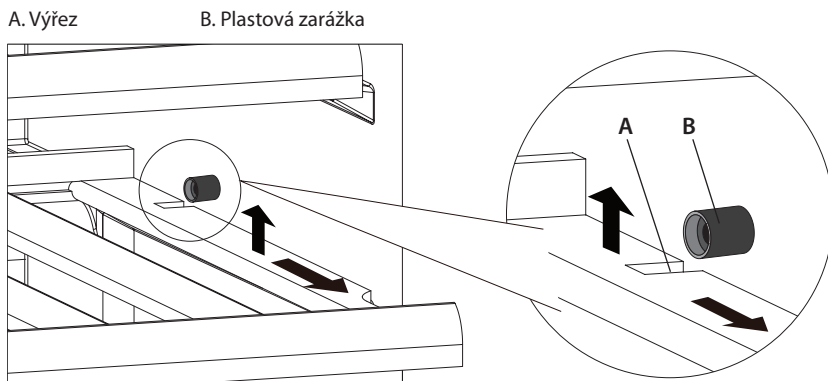
- o Když kompresor začne pracovat, indikátor zůstane svítit.
- o Za jiných podmínek bude indikátor vypnutý.

## ■ ČIŠTĚNÍ VINOTÉKY

- Vypněte napájení, odpojte spotřebič a vyjměte všechny předměty včetně poliček.
- Vnitřní povrchy utřete houbou a roztokem sody. Roztok by měl obsahovat 2 polévkové lžíce jedlé sody na 1 litr teplé vody.
- Poličky umyjte jemným roztokem čisticího prostředku. Před vložením do vinotéky nechte dřevěné poličky vyschnout.
- Při čištění prostoru ovládacích prvků nebo elektrických částí, vždy vyždímejte přebytečnou vodu z houbičky nebo utěrky.
- Vnější skříňku otřete teplou vodou a jemným tekutým čisticím prostředkem. Osušte čistou jemnou utěrkou.
- Na nerezovou ocel nepoužívejte ocelový kartáč nebo drátěnku. Dojde tím k poškrábání nerezavějící oceli ocelovými částicemi a může dojít i k rezivění.

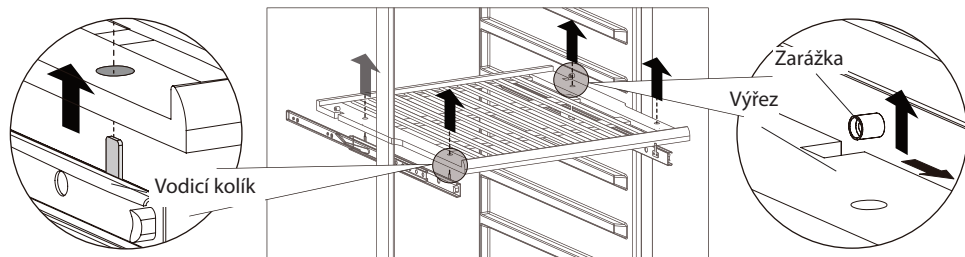
## ■ VYJMUTÍ POLIČEK

- Před vyjmutím poličky ze spotřebiče je nutné vyjmout všechny láhve vína na dané poličce;
- U modelu se zasouvací kolejničkou posuňte poličku do polohy, v níž je výřez na dřevěné poličce přímo pod plastovou zarážkou a zvedněte dřevěnou poličku. Zajistěte prosím jejich navrácení na místo při vrácení poličky zpět.
- Před vložením jakékoli láhve do skříňky se ujistěte, zda jsou poličky správně vloženy. Na ujistění, zda jsou poličky správně vloženy, vytáhněte poličky úplně ven do polohy zarážky (STOPPER) a zatlačte je několikrát zpět.



- U modelu se zasouvací kolejničkou prosím zvedněte celou poličku vodorovně nahoru, abyste ji oddělili od 4 vodicích kolíků zasouvací kolejničky.





## ■ VÝMĚNA UHLÍKOVÉHO FILTRU (VOLITELNÁ MOŽNOST)

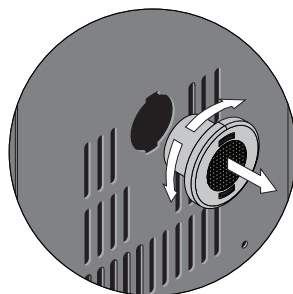
Pro zrání vína je důležitá dobrá kvalita okolního vzduchu. Uhlíkový filtr je velmi užitečný, protože vstřebává zápach a zlepšuje kvalitu vzduchu. U modelů s uhlíkovým filtrem doporučujeme, abyste jednou ročně tento filtr vyměnili. Filtr si prosím objednejte u vašeho prodejce.

Vyjmutí uhlíkového filtru:

- o Uchopte uhlíkový filtr a otočte ho o 90° doleva nebo doprava na jeho vyjmutí;

Opětovné vložení uhlíkového filtru:

- o Uchopte uhlíkový filtr a otočte ho o 90° doleva nebo doprava tak, aby zacvakl do správné polohy.



## ■ ODMRAZOVÁNÍ

- o Odmrazování probíhá uvnitř vaší vinotéky během jejího provozu automaticky. Voda z odmrazování se zachycuje odpařovací miskou a automaticky se zde odpařuje.
- o Odpařovací miskou a vypouštěcí otvor vody z odmrazování je třeba pravidelně čistit. Tím se zabrání hromadění vody v dolní části vinotéky, namísto jejího tečení vypouštěcím kanálem na odmrazování a vypouštěcím otvorem.
- o Na vyčištění vypouštěcího otvoru do něj můžete také nalít malé množství vody.
- o Měli byste dávat pozor a zajistit, aby se láhve vína nedotýkaly zadní stěny spotřebiče, protože by to mohlo přerušit proces automatického odmrazování a odklonit vodu do základny vaší vinotéky.

## ■ PŘEMÍSTOVÁNÍ VAŠÍ VINOTÉKY

Pokud potřebujete přemístit vaši vinotéku na jiné místo, postupujte prosím následujícím způsobem.

- o Odstraňte z vinotéky všechny předměty.
- o Bezpečně přilepte páskou všechny volné předměty uvnitř spotřebiče, jako například poličky.
- o Zašroubujte nastavitelné nožičky nahoru k základně, abyste zabránili jejich poškození.
- o Zajistěte páskou uzavření dvířek.
- o Zajistěte, aby stál spotřebič během přepravy ve svislé poloze. Abyste také zabránili poškození vnějšího pláště, obalte spotřebič dekou nebo podobnou látkou.

## ■ VÝPADEK DODÁVKY ELEKTRICKÉ ENERGIE

- Pokud dojde u spotřebiče k výpadku dodávky elektrické energie, dokáže několik hodin udržovat teplotu uvnitř skříňky. Za předpokladu, že je minimalizován počet otevírání dvířek.
- Pokud je výpadek delší než několik hodin, budete potřebovat uložit obsah na jiné místo, aby nedošlo k jeho znehodnocení zvýšením teploty.

**DŮLEŽITÉ:** Pokud je spotřebič odpojen od síťového napájení, dojde k výpadku napájení nebo spotřebič vypnete, musíte před jeho opětovným zapnutím 5 minut počkat. Pokud se ho pokusíte opět zapnout před uplynutím této doby, může dojít k poškození kompresoru.

## ■ DOVOLENÁ

**Krátká dovolená:** V případě dovolené, která je kratší než 3 týdny, ponechte vinotéku v provozu.

**Dlouhá dovolená:**

- Pokud nebudete váš spotřebič používat delší dobu, měli byste láhve s vínem vyjmout a spotřebič vypnout.
- Vnitřní prostory byste měli očistit pomocí roztoku jedlé sody a vlažné vody.
- Vnitřní prostory byste pak měli důkladně vysušit.
- Aby nedošlo k růstu plísní, ponechte dvířka mírně pootevřená.

## ■ ODPOJENÍ NAPÁJENÍ

- Pokud je spotřebič odpojen od síťového napájení nebo pokud dojde k výpadku napájení, musíte před opětovným spuštěním spotřebiče 5 minut počkat. Pokud se pokusíte vinotéku opět spustit před uplynutím 5 minut, může dojít k její poruše.

## ŘEŠENÍ PROBLÉMŮ

Pokud se vám zdá, že spotřebič nefunguje správně, zkuste před tím, než zavoláte do servisu, pomocí následujících pokynů zkusit problém vyřešit sami.

Č.	PROBLÉM	MOŽNÁ PŘÍČINA PROBLÉMU/OPATŘENÍ
1	Vinotéka nefunguje.	Spotřebič není připojen k síti. Spotřebič je vypnutý. Byl aktivován jistič nebo je spálená pojistka.
2	Vinotéka nedostatečně chladí.	Zkontrolujte nastavení teploty. Teplota okolního prostředí může vyžadovat vyšší nastavení. Dvířka se velmi často otevírají. Dvířka nejsou zcela dovřená. Těsnění dvířek řádně netěsní.
3	Časté automatické zapnutí a vypnutí.	Teplota v místnosti je vyšší než obvykle. Do vinotéky se přidalo velké množství položek. Dvířka se velmi často otevírají. Dvířka nejsou zcela dovřená. Ovladač teploty není správně nastaven. Těsnění dvířek řádně netěsní.
4	Nefunguje osvětlení.	Spotřebič není připojen k síti. Byl aktivován jistič nebo je spálená pojistka. Osvětlení je vypnuto. Ohledně opravy a výměny kontaktujte servisní středisko.
5	Příliš velké vibrace.	Kontrolou se ujistěte, zda je spotřebič vyrovnán. Kontrolou se ujistěte, zda uvnitř skříňky nebo v komoře kompresoru nejsou žádné uvolněné díly.
6	Vinotéka se zdá být velmi hlučná.	Drnčivý zvuk může být způsoben prouděním chladiva. Jde o normální jev. Na konci každého cyklu uslyšíte bublající zvuk, který je způsoben prouděním chladiva. Stahování a rozšiřování vnitřních stěn může způsobovat praskání nebo lupnutí. Spotřebič není vyrovnaný.
7	Dvířka se správně nezavírají.	Vinotéka není vyrovnaná. Změna směru otevírání dvířek nebyla provedena správně. Těsnění je znečištěné. Poličky jsou nesprávně umístěny.
8	Na displeji se zobrazuje „HH“ nebo „LL“ namísto digitální číslice, a/nebo se ozývá nepřetržitý zvukový signál.	Porucha teplotní sondy.

# ZMĚNA SMĚRU OTEVÍRÁNÍ DVÍŘEK


## Poznámky:

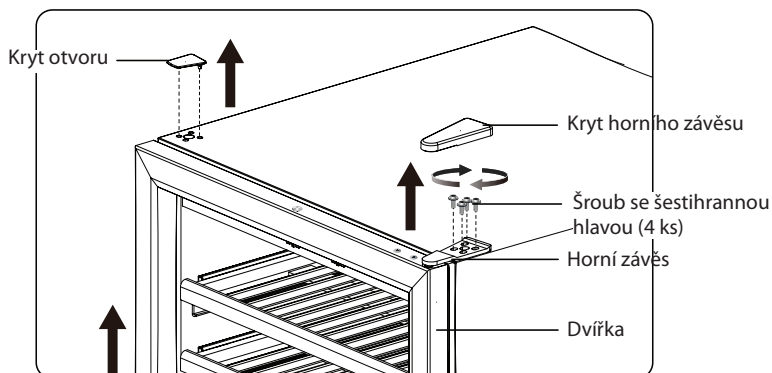
- Následující operace jsou k dispozici pouze pro model s ovládacími prvky uvnitř a s nainstalovaným pravým závěsem dvířek.
- Všechny vyjmuté díly doporučujeme uložit pro případ opětovného změnu směru otevírání dvířek.

## ■ OVLÁDACÍ PRVKY UVNITŘ

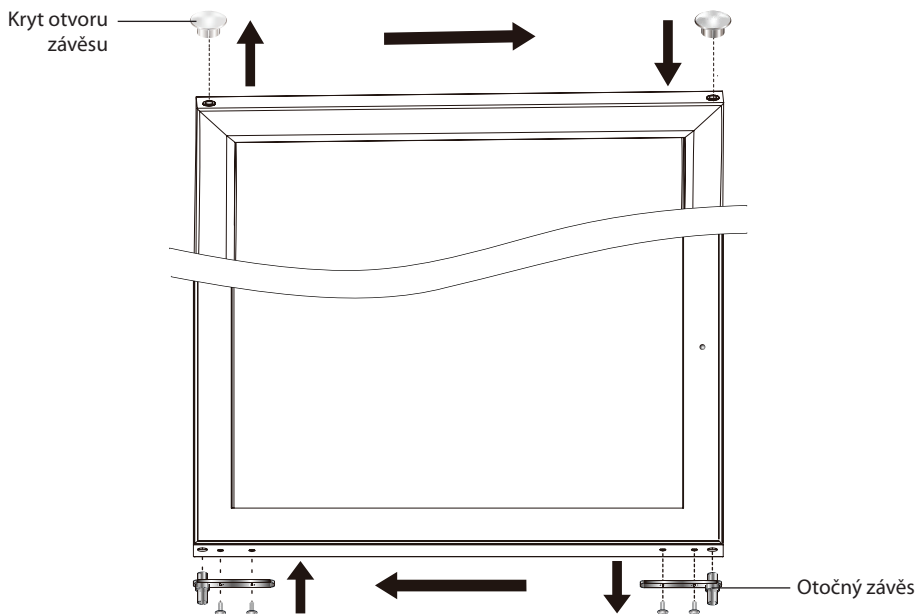
### DŮLEŽITÁ INFORMACE

Doporučujeme vám, abyste zajistili poličky na místě pomocí lepicí pásky, aby při manipulaci se spotřebičem nedošlo k poškození, a všechny odstraněné díly pečlivě uschovejte.

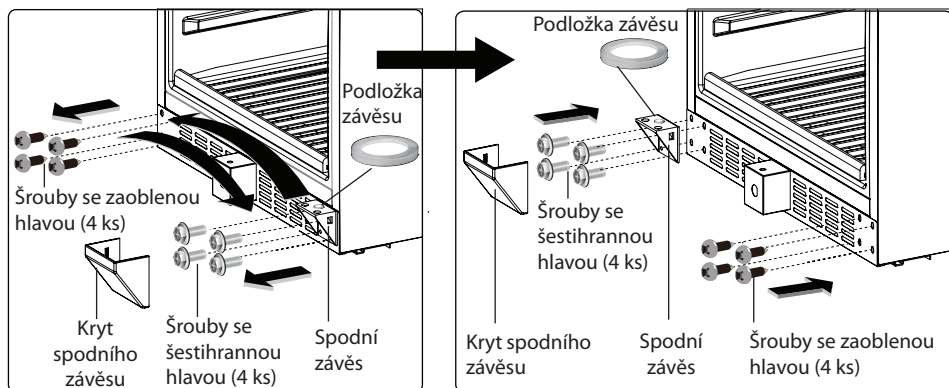
1. Pomocí plochého šroubováku vyjměte kryt otvoru a kryt horního závěsu na horní straně. Sejměte horní závěs odšroubováním šroubů se šestihrannou hlavou (4 ks). Nyní s vaším pomocníkem opatrně zvedněte dvířka ze spodního závěsu a opatrně je položte stranou. Pro opětovnou instalaci je důležité, aby podložka závěsu  zůstala v horní části spodního závěsu.



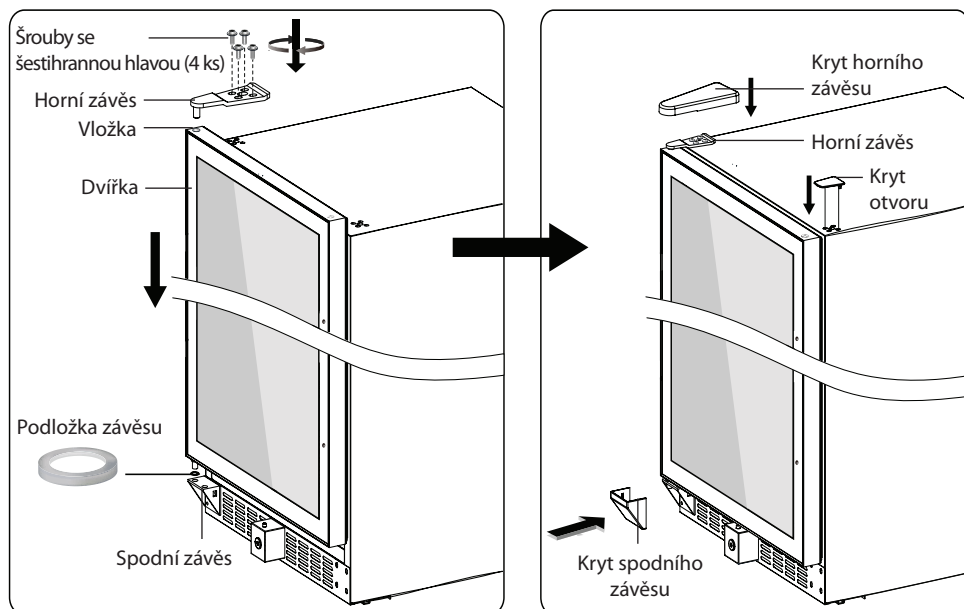
2. Přesuňte kryt závěsu (v horní části dvířek) z levé strany na pravou stranu. Přesuňte otočný závěs (ve spodní části dvířek) zprava doleva.



- 3.** Sejměte kryt spodního závěsu opatrným vypáčením malým plochým šroubovákem. Sejměte spodní závěs odšroubováním šroubů se šestihrannou hlavou (4 ks). Odšroubujte z levé spodní strany šrouby s válcovou zaoblenou hlavou (4 ks). Nyní posuňte spodní závěs na levou spodní stranu a pevně ho přišroubujte pomocí šroubů se šestihrannou hlavou (4 ks). Přemístěte šrouby s válcovou zaoblenou hlavou (4 ks) k pravé spodní straně a zašroubujte je.



4. Držte s pomocníkem pevně dvířka a umístěte je na horní část spodního závěsu; ujistěte se, zda je otočný závěs na správném místě vůči podložce závěsu. Vložte kolík horního závěsu do vložky na pravé horní straně a připevněte jej pomocí šroubů s šestihlannou hlavou (4 ks). Zakryjte horní závěs a spodní závěs krytem horního a krytem spodního závěsu. Zakryjte otvory pro šrouby závěsu na pravé horní straně pomocí krytky otvoru.



## Informační list

PHILCO 

DELEGOVANÉ NAŘÍZENÍ KOMISE (EU) 2019/2016

**Název nebo ochranná známka výrobce:** PHILCO

**Adresa výrobce:** PHILCO, FAST ČR, a.s. U Sanitasy 1621 Říčany 251 01, Czech Republic

**Identifikační značka modelu:** PW 143 GLV

**Typ chladicího zařízení:** Vinotéka

Nízkohlučný spotřebič:	Ne	Typ spotřebiče:	volně stojící
------------------------	----	-----------------	---------------

Zařízení pro skladování vína:	Ano	Ostatní chladicí spotřebiče	Ne
-------------------------------	-----	-----------------------------	----

### Základní specifikace:

Parametr	Hodnota	Parametr	Hodnota
Rozměry v mm	Výška	Celkový objem (dm <sup>3</sup> nebo l)	472
	Šířka		
	Hloubka		
Index energetické účinnosti (EEL)	144	Třída energetické účinnosti*	G
Akustický zvuk emise hluku (dB(A) re 1 pW)	40	Třída akustických emisí hluku	C
Roční spotřeba energie (kWh/rok)	162,0	Klimatická třída:	N, ST
Minimální okolní teplota (° C), pro které je chladicí zařízení vhodné	16	Maximální okolní teplota (° C), pro které je chlazení zařízení je vhodné	38
Nastavení spotřebiče na zimu	Ne		

### Specifikace prostoru

Typ prostoru	Parametry a hodnoty chladicího prostoru				
	Objem spotřebiče (dm <sup>3</sup> nebo l)	Doporučené nastavení teploty pro optimalizované skladování potravin (° C)	Mrazicí kapacita (kg/24h)	Typ odmrazování:	
Komora / spíž	Ne	-	-	-	(auto-odmrazování = A) manuální odmrazování = M)
Skladování vína	Ano	472,0	-	-	A
Sklepní prostor	Ne	-	-	-	-
Čerstvé potraviny	Ne	-	-	-	-
Mrazicí prostor	Ne	-	-	-	-
0-hvězdička nebo výrobce ledu	Ne	-	-	-	-

1-hvězdička	Ne	-	-	-	-
2-hvězdička	Ne	-	-	-	-
3-hvězdička	Ne	-	-	-	-
4-hvězdička	Ne	-	-	-	-
2-hvězdičkový prostor	Ne	-	-	-	-
Zásuvka s měnící se teplotou	Ne	-	-	-	-
<b>Parametry zdroje světla:</b>					
Typ světelného zdroje			LED		
Třída energetické účinnosti			G		
<b>Minimální doba trvání záruky nabízené výrobcem: 24 měsíců</b>					
<b>Dodatečné informace:</b>					
<b>Webový odkaz na web výrobce, kde jsou informace uvedené v bodě 4 (a) přílohy nařízení Komise (EU) 2019/2022 nalezeno: <a href="http://www.philco.cz">www.philco.cz</a></b>					

\* A (nejvyšší účinnost) až G (nejnižší účinnost)



## TECHNICKÉ INFORMACE

Technické informace se nachází na typovém štítku na vnitřní straně spotřebiče a na energetickém štítku. QR kód, na dodaném energetickém štítku, obsahuje odkaz na registraci spotřebiče v databázi EU Eprel. Uchovejte si energetický štítek, návod k použití, spolu s dalšími dokumenty dodanými s přístrojem.

## INFORMACE O TESTOVÁNÍ

Dodané zařízení je v souladu s EcoDesignem a EN62552-1/-2/-3:2020, EN60704-1:2010+A11:2012, EN60704-2-14:2013+A11:2015+A12019. Požadavky na přístup vzduchu pro správný provoz přístroje, minimální vzdálenost od zdi a rozměry přístroje, jsou součástí tohoto návodu. V případě dalších dotazů se obraťte na výrobce.

## PÉČE O ZÁKAZNÍKA A SERVIS

Vždy používejte pouze originální náhradní díly.

Označení modelu a sériové číslo naleznete na typovém štítku. Polohu typového štítku je možné změnit bez předchozího upozornění.

Originální náhradní díly pro některé konkrétní komponenty jsou k dispozici minimálně 7 nebo 10 let. Závisí to na typu komponentu a na uvedení posledního spotřebiče daného modelu na trh.

Při kontaktování našeho autorizovaného servisu mějte k dispozici modelové označení, sériové číslo a popis závady.

Pro stažení dokumentů navštivte [www.philco.cz](http://www.philco.cz).

Pro nahlášení závady a získání dalších servisních informací navštivte <https://philco.cz/podpora-a-servis>.

Změny vyhrazeny bez předchozího upozornění.

# POKYNY A INFORMACE TÝKAJÍCÍ SE LIKVIDACE POUŽITÝCH OBALOVÝCH MATERIÁLŮ

Obalové materiály zlikvidujte na veřejném místě pro likvidaci odpadu.

## LIKVIDACE POUŽITÝCH ELEKTRICKÝCH A ELEKTRONICKÝCH SPOTŘEBIČŮ



Význam symbolu na výrobku, jeho příslušenství nebo obalu znamená, že s tímto výrobkem nesmí být zacházeno jako s komunálním odpadem. Tento výrobek zlikvidujte na příslušném sběrném místě pro recyklaci odpadu z elektrických a elektronických zařízení. Popřípadě je možné v některých státech Evropské unie nebo jiných evropských státech vrátit své výrobky místnímu prodejci, v případě koupě obdobného nového výrobku. Správná likvidace tohoto výrobku pomůže ušetřit cenné přírodní zdroje a pomoci při prevenci případného negativního vlivu na životní prostředí a lidské zdraví, ke kterému by mohlo dojít v důsledku nesprávné likvidace odpadu. Podrobnější informace získáte od místního úřadu nebo v nejbližším středisku pro sběr odpadu. Nesprávná likvidace tohoto typu odpadu může podléhat vnitrostátním předpisům o pokutách.

### Pro podnikatelské subjekty v Evropské unii

Chcete-li zlikvidovat elektrické nebo elektronické zařízení, vyžádejte si potřebné informace od svého prodejce nebo dodavatele.

### Likvidace v jiných státech mimo Evropskou unii

Chcete-li zlikvidovat tento výrobek, vyžádejte si potřebné informace o správném způsobu likvidace od místních úřadů nebo svého prodejce.



Tento výrobek splňuje všechny základní požadavky nařízení EU, které se na něj vztahují.

Změny v textu, designu a technických údajích se mohou vyskytnout bez předchozího upozornění a vyhrazujeme si právo provést tyto změny.

Originál tohoto návodu k obsluze je v českém jazyce.



**VAROVÁNÍ!** BĚHEM POUŽÍVÁNÍ, SERVISU A LIKVIDACE VĚNUJTE POZORNOST SYMBOLU PODOBNÉMU NA LEVÉ STRANĚ, KTERÝ JE UMÍSTĚN NA ZADNÍ STRANĚ SPOTŘEBIČE (ZADNÍ PANEL NEBO KOMPRESOR) A SE ŽLUTOU NEBO ORANŽOVOU BARVOU.



JE TO RIZIKO POŽÁRNÍHO VAROVNÉHO SYMBOLU. JSOU ZDE HOŘLAVÉ MATERIÁLY POTRUBÍ A KOMPRESOR. BUĎTE DALEKO OD OHNĚ BUĎTE PROSÍM DALEKO OD ZDROJE OHNĚ BĚHEM POUŽÍVÁNÍ, OBSLUHY SPOTŘEBIČE A LIKVIDACE.

# Vinotéka

## NÁVOD NA OBSLUHU

**PHILCO**



*Famous for Quality the World Over*

**PW 143 GLV**

**Ďakujeme, že ste si vybrali tento výrobok.**

**Pred požívaním svojej novej chladničky si prosím prečítajte tento návod na obsluhu, aby ste z nej získali čo najväčší úžitok.**

# OBSAH

BEZPEČNOSTNÉ POKYNY .....	3
POPIS SPOTREBIČA A JEHO INŠTALÁCIA .....	7
INŠTALÁCIA PRÍSLUŠENSTVA PRED POUŽITÍM PRODUKTU .....	9
OBSLUHA VINOTÉKY .....	10
STAROSTLIVOSŤ A ÚDRŽBA .....	15
RIEŠENIE PROBLÉMOV .....	18
ZMENA SMERU OTVÁRANIA DVIEROK .....	19
INFORMAČNÝ LIST .....	22



Tento spotrebič bol testovaný v súlade so smernicami platnými v Európskej únii.

Tento spotrebič vyhovuje príslušným bezpečnostným predpisom pre elektrické spotrebiče platné v Európskej únii.

## **VÁŽENÝ ZÁKAZNÍK:**

Ďakujeme Vám za kúpu tejto chladničky. Aby ste pri používaní tejto chladničky dosiahli najlepšie výsledky, prečítajte si tento návod na obsluhu.

Uistite sa, že obalový materiál je zlikvidovaný v súlade s aktuálnymi environmentálnymi požiadavkami.

Pri likvidácii akéhokoľvek chladiaceho zariadenia kontaktujte miestny úrad pre likvidáciu odpadu, kde vám budú poskytnuté informácie o bezpečnej likvidácii.

Tento spotrebič je možné používať len na určený účel.

## **POZOR:**

Spotrebič nesmú používať malé deti alebo staršie osoby bez dozoru. Na malé deti by ste mali dohliadať, aby sa spotrebičom nehrali.

## BEZPEČNOSTNÉ POKYNY

TENTO SPOTREBIČ MÔŽU POUŽÍVAŤ DETI VO VEKU 8 ROKOV A STARŠIE A OSOBY SO ZNÍŽENÝMI FYZICKÝMI, ZMYSLOVÝMI ALEBO MENTÁLNYMI SCHOPNOSŤAMI ALEBO S NEDOSTATKOM SKÚSENOSTÍ A VEDOMOSTÍ, POKIAĽ SÚ POD DOZOROM ALEBO BOLI POUČENÉ O POUŽÍVANÍ SPOTREBIČA BEZPEČNÝM SPÔSOBOM A ROZUMEJÚ PRÍPADNÝM NEBEZPEČENSTVÁM.

DETI SA SO SPOTREBIČOM NESMÚ HRAŤ. ČISTENIE A ÚDRŽBU NESMÚ VYKONÁVAŤ DETI BEZ DOZORU. DETI VO VEKU 3 AŽ 8 ROKOV MÔŽU VKLADAŤ A VYBERAŤ POTRAVINY Z CHLADIACICH SPOTREBIČOV.

POKIAĽ JE NAPÁJACÍ KÁBEL POŠKODENÝ, JEHO VÝMENU ZVERTE ODBORNÉMU SERVISNÉMU STREDISKU, ABY SA ZABRÁNILO VZNIKU NEBEZPEČNEJ SITUÁCIE. SPOTREBIČ S POŠKODENÝM NAPÁJACÍM KÁBLOM JE ZAKÁZANÉ POUŽÍVAŤ.



VÝROBNÍKY ĽADU, KTORÉ NIE SÚ URČENÉ NA PRIPOJENIE K PRÍVODU VODY PLŇTE IBA PITNOU VODOU.



VETRACIE OTVORY V KRYTE SPOTREBIČA ALEBO V JEHO KONŠTRUKCII JE POTREBNÉ UDRŽIAVAŤ VOĽNÉ.



NA ZRÝCHLENIE ROZMRAZOVACIEHO PROCESU NEPOUŽÍVAŤ MECHANICKÉ ZARIADENIA ALEBO INÉ PROSTRIEDKY AKO TIE, KTORÉ SÚ ODPORÚČANÉ VÝROBCOM.



NEPOŠKODZOVAŤ CHLADIACI OBVOD.



NEPOUŽÍVAŤ ELEKTRICKÉ SPOTREBIČE V PRIESTORE PRE UCHOVÁVANIE POTRAVÍN SPOTREBIČA, POKIAĽ SA NEJEDNÁ O TYPY ODPORÚČANÉ VÝROBCOM.

NEUKLADAŤ V TOMTO SPOTREBIČI VÝBUŠNÉ LÁTKY TAKÉ, AKO SÚ SPREJE S HORĽAVÝM HNACÍM PLYNOM.

TENTO PRÍSTROJ JE URČENÝ NA POUŽITIE VÝLUČNE V DOMÁCNOSTI A NIE V PODOBNÝCH OBLASTIACH, AKO SÚ:

- KUCHYNSKÉ KÚTY V OBCHODOCH, KANCELÁRIÁCH A OSTATNÝCH PRACOVISKÁCH;
- SPOTREBIČE POUŽÍVANÉ HOŠŤAMI V HOTELOCH, MOTELOCH A INÝCH OBYTNÝCH PROSTREDIACH;
- SPOTREBIČE POUŽÍVANÉ V PODNIKOKH ZAISŤUJÚCICH NOČĽAH S RAŇAJKAMI;
- SPOTREBIČE POUŽÍVANÉ V STRAVOVACÍCH A PODOBNÝCH NEPREDAJNÝCH PROSTREDIACH.



VÝROBNÍKY ĽADU URČENÉ PRE PRIPOJENIE K PRÍVODU VODY PRIPÁJAJTE IBA NA PRÍVOD PITNEJ VODY.



SPOTREBIČ MUSÍ BYŤ PRIPEVNENÝ PODĽA NÁVODU, ABY SA ZABRÁNILO NEBEZPEČENSTVÁM SPÔSOBENÝM JEHO NESTABILITOU.



ZNAČKA ISO 7000-1701 (2004-01) OZNAČUJE MÉDIUM POD TLAKOM.





NEBEZPEČENSTVO OHŇA / HORĽAVÉ MATERIÁLY!



CHLADIACI SYSTÉM OBSAHUJE CHLADIVO POD VYSOKÝM TLAKOM. NEMANIPULUJTE SO SYSTÉMOM. MUSÍ BYŤ OPRAVOVANÝ IBA KVALIFIKOVANOU OSOBOU.

# R600A

OBSAHUJE CHLADIACI PLYN IZOBUTÁN, KTORÝ JE HORĽAVÝ. POČAS PREPRASY A INŠTALÁCIE SPOTREBIČA ZABRÁŇTE POŠKODENIU KOMPONENTOV CHLADIACEHO OKRUHU.



PRI UMIESTŇOVANÍ SPOTREBIČA SA MUSÍ ZAISTIŤ, ABY NAPÁJACÍ PRÍVOD NEBOL ZACHYTENÝ ALEBO POŠKODENÝ.



NEUMIESTŇOVAŤ VIACNÁSOBNÉ PRENOSNÉ ZÁSUVKY ALEBO PRENOSNÉ PREDLŽOVACIE PRÍVODY NA ZADNÚ STRANU SPOTREBIČA.

## OSTATNÉ ODPORÚČANIA/INŠTALÁCIA

### ELEKTRICKÁ BEZPEČNOSŤ:

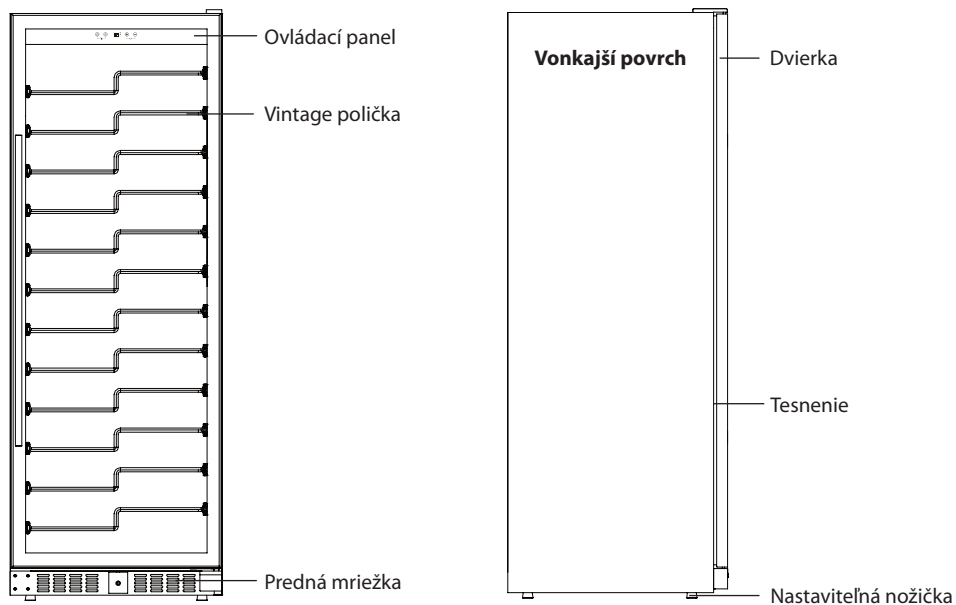
- NAPÁJACÍ KÁBEL NESMIE BYŤ PREDLŽOVANÝ.
- UISTITE SA, ŽE ZÁSTRČKA NAPÁJACIEHO KÁBLA NIE JE POŠKODENÁ, MOHLA BY SA PREHRIEVAŤ A SPÔSOBIŤ POŽIAR.
- PRI UMIESTŇOVANÍ SPOTREBIČA SA MUSÍ ZAISTIŤ, ABY NAPÁJACÍ KÁBEL NEBOL ZACHYTENÝ, ALEBO POŠKODENÝ.
- NEUMIESTŇUJTE VIACNÁSOBNÉ PRENOSNÉ ZÁSUVKY, ALEBO PRENOSNÉ PREDLŽOVACIE KÁBLE NA ZADNÚ STRANU SPOTREBIČA.
- SPOTREBIČ NESMIE STÁŤ NA NAPÁJACOM KÁBLI.
- SPOTREBIČ NESMIE BYŤ UMIESTNENÝ VO VLHKOM PROSTREDÍ, NAPÁJACÍ KÁBEL NESMIE LEŽAŤ VO VODE.
- UISTITE SA, ŽE MÁTE VOĽNÝ PRÍSTUP K ZÁSTRČKE SPOTREBIČA.
- NEŤAHAJTE ZA PRÍVODNÝ KÁBEL.
- POKIAĽ JE ELEKTRICKÁ ZÁSUVKA UVOLNENÁ, NEPRIPÁJAJTE K NEJ ZÁSTRČKU. HROZÍ RIZIKO ÚRAZU ELEKTRICKÝM PRÚDOM, ALEBO RIZIKO VZNIKU POŽIARU.
- TENTO SPOTREBIČ NESMIETE POUŽÍVAŤ BEZ KRYTU VNÚTORNÉHO OSVETLENIA.
- CHLADNIČKA JE URČENÁ IBA NA NAPÁJANIE Z JEDNEJ FÁZY STRIEDAVÉHO PRÚDU S HODNOTAMI 220 – 240 V/50 HZ. POKIAĽ JE KOLÍSANIE NAPÄTIA V MIESTE BYDLISKA POUŽÍVATEĽA TAK VEĽKÉ, ŽE PRESAHUJE UVEDENÉ LIMITY, Z BEZPEČNOSTNÝCH DÔVODOV POUŽITE PRE CHLADNIČKU AUTOMATICKÝ NAPÄŤOVÝ REGULÁTOR S VIAC AKO 350 W.
- ZÁSTRČKA MUSÍ ZODPOVEDAŤ ZÁSUVKE S UZEMŇOVACÍM KONTAKTOM.

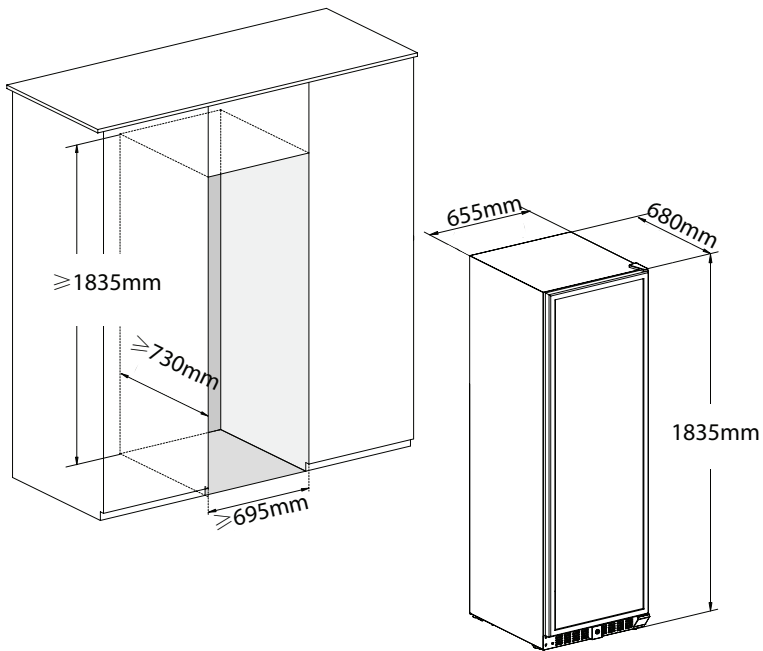
# POPIS SPOTREBIČA A JEHO INŠTALÁCIA

Nasledujúce obrázky zobrazujú iba popis spotrebiča. Rozmer a množstvo poličiek sa môžu medzi modelmi rovnakej série líšiť.

## ■ OVLÁDACIE PRVKY VO VNÚTRI

Jedna zóna **143** fliaš





# INŠTALÁCIA PRÍSLUŠENSTVA PRED POUŽITÍM PRODUKTU

## ■ VYBALENIE A OČISTENIE VINOTÉKY

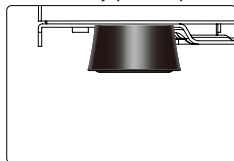
- Odstráňte vonkajšie a vnútorné obalové materiály.
- Pred pripojením k zdroju energie nechajte tento spotrebič približne **24 hodín** stáť vo zvislej polohe, aby sa minimalizovalo nebezpečenstvo poruchy chladiaceho systému z dôvodu manipulácie počas prepravy.
- Pomocou jemnej handričky očistite vnútorný povrch vlažnou vodou.

**DÔLEŽITÉ:** Predná mriežka na základni spotrebiča je určená na odvetrávanie. Pred túto prednú mriežku nekladte žiadne predmety, inak nemusí vinotéka fungovať správne.

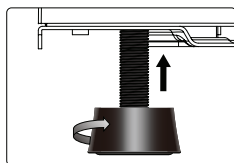
- K prednej časti vetracích otvorov základne je možné pripevniť ozdobný podstavec - v tomto podstavci by sa mal urobiť výrez väčšej veľkosti, než je predná žalúzia. Tento výrez sa vyžaduje bez ohľadu na to, či je predná žalúzia odstránená alebo nie.

## ■ NASTAVENIE VÝŠKY A VYROVNANIE VAŠEJ VINOTÉKY

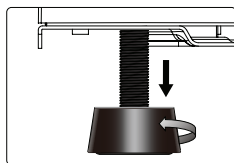
- Tento spotrebič je vybavený nastaviteľnými nožičkami, takže jeho výšku môžete nastaviť tak, aby bola skrinka na nerovných podlahách vyrovnaná.
- Odporúčame, aby túto operáciu vykonávali dve osoby.
- Výšku je potrebné nastaviť pred vstavaním spotrebiča do linky a táto výška by mala byť nastavená tak, aby sa horný panel spotrebiča presne vošiel pod pracovnú plochu kuchynskej linky.



- Nakloňte spotrebič o približne 60° na získanie prístupu k nastaviteľným nožičkám.
- Zaistite, aby bol spotrebič neustále podopieraný.



- Zaskrutkujte nožičku do vhodnej polohy na vyrovnanie skrinky.



- Opakujte tieto kroky pri ďalších nastaviteľných nožičkách.

**DÔLEŽITÉ:** Ak nie je spotrebič vyrovnaný, môže to mať negatívny vplyv na dvierka a tesnenie dvierok.  
**DÔLEŽITÉ:** Nepremiestňujte spotrebič, ktorého nožičky sú vysoko vysunuté.

## ■ ODOMKNUTIE A UZAMKNUTIE DVIEROK (VOLITEĽNÁ MOŽNOSŤ)

- Uzamknutie je voliteľnou funkciou. Ak je vaša vinotéka touto funkciou vybavená, mali by ste v balení tohto návodu nájsť kľúč.
- Vložte kľúč do zámky a otočte ho proti smeru hodinových ručičiek na odomknutie dvierok. Na uzamknutie ho otočte v smere hodinových ručičiek. Kľúč si dobre uschovajte.

## OBSLUHA VINOTÉKY

### ■ KLIMATICKÁ TRIEDA

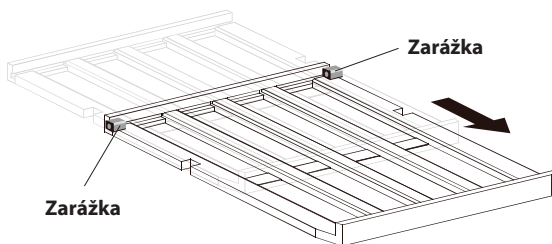
- Tento spotrebič je navrhnutý na prevádzku v klimatickej triede SN až N (pozrite si nižšie uvedenú tabuľku klimatických tried). Odporúčame vám, aby ste udržiavali teplotu okolia 22 - 25 °C, pri ktorej má spotrebič nízku spotrebu energie.

Klimatická trieda	Teplota v miestnosti
SN	10 - 32 °C (50 °F - 90 °F)
N	16 - 32 °C (61 °F - 90 °F)
ST	16 - 38 °C (61 °F - 100 °F)
T	16 - 43 °C (61 °F - 109 °F)

- Ak je teplota okolia nižšia alebo vyššia, než je navrhnutý klimatický rozsah, môže to mať vplyv na výkon spotrebiča. Napríklad pri prevádzke spotrebiča v extrémne chladnom alebo teplom prostredí môže dochádzať ku kolísaniu teplôt a v niektorých prípadoch nemusí byť možné dosiahnuť teploty 5-22 °C.

## ■ SKLADOVANIE VÍNA

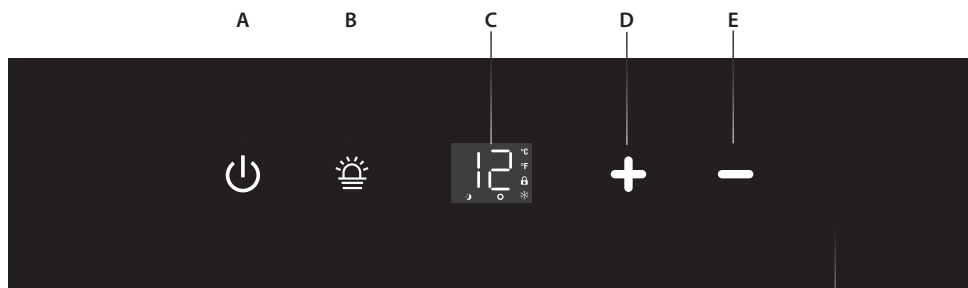
- Štandardné poličky sú navrhnuté na perfektné skladovanie fliaš Bordeaux. Maximálny počet vložených fliaš sa môže líšiť podľa rôznych veľkostí a rozmerov skladovaných fliaš s vínom.
- Poličky je možné vytiahnuť o približne 1/3 dĺžky, aby bol uľahčený prístup k uskladnenému vínu.



- Aby nedošlo k poškodeniu dverného tesnenia, zaistite, aby boli pred vytiahnutím poličiek úplne otvorené dvierka.
- Víno prosím skladujte v uzatvorených fľašiach.
- Nezakrývajte poličky hliníkovou fóliou alebo iným podobným materiálom, ktorý by mohol brániť cirkulácii vzduchu.
- Ak by bude vinotéka dlhší čas prázdna, odporúčame, aby ste spotrebič odpojili a po starostlivom vyčistení ponechali dvierka pootvorené, aby vo vnútri vinotéky mohol cirkulovať vzduch. Zabráňte tak prípadnej kondenzácii, tvorbe plesní alebo zápachu.
- Odporúčané teploty na chladenie/skladovanie vašich vín.
- Dlhé otvorenie dvierok môže spôsobiť výrazné zvýšenie teploty v priehradkách spotrebiča. Odporúčané teploty pre chladenie/skladovanie vašich vín sú uvedené nižšie, podľa toho vyberte zóny a teploty.

Typ vína	Odporúčaná teplota
Červené vína	15 - 18 °C (59 °F - 64 °F)
Suché/Biele vína	9 - 14 °C (48 °F - 57 °F)
Ružové vína	10 - 11 °C (50 °F - 52 °F)
Šumivé vína	5 - 8 °C (41 °F - 46 °F)

## ■ OVLÁDACÍ PANEĽ (OVLÁDACIE PRVKY VO VNÚTRI)



A. Napájanie

B. Svetlo

C. Displej



D. Zvýšenie teploty

E. Zníženie teploty

A+B. Zamknutie/  
Odomknutie

D+E. Prepínač °C/°F




## ■ ZAPNUTIE/VYPNUTIE NAPÁJANIA

- Po pripojení spotrebiča do elektrickej zásuvky sa napájanie zapne automaticky.
- Na vypnutie (alebo zapnutie) spotrebiča sa dotknite značky napájania  a podržte ju **10 sekúnd**.
- Bez ohľadu na stav uzamknutia alebo odomknutia môžete spotrebič vypnúť dotykom značky napájania  a jej podržaním v trvaní **10 sekúnd**.





**Varovanie:** Aby nedošlo k poškodeniu kompresora, nezapínajte spotrebič znovu počas 5 minút po jeho vypnutí.

## ■ ODOMKNUTIE OVLÁDACIEHO PANEĽA

- Pri jednej zóne, dotknite sa značky napájania a značky osvetlenia   2 prstami súčasne a podržte ich v trvaní **3 sekúnd**. Po odomknutí budete počuť zvukový signál.
- Pri duálnej zóne, dotknite sa značky zámku  a podržte ju v trvaní **3 sekúnd**. Po odomknutí budete počuť zvukový signál.
- V stave uzamknutia nebude ovládací panel reagovať na žiaden dotyk na zapnutie/vypnutie osvetlenia a nastavenie teploty.

## ■ ZAPNUTIE/VYPNUTIE VNÚTORNÉHO OSVETLENIA

- V stave uzamknutia sa dotknite značky osvetlenia  na zapnutie (alebo vypnutie) vnútorného LED osvetlenia.
- Osvetlenie zostane zapnuté, pokiaľ ho nevypnete manuálne.
- Osvetlenie spotrebiča využíva dvojstupňové riadenie slučky. Pri prvom dotyku značky osvetlenia bude osvetlenie 100% jasné. Po druhom dotyku značky  sa jas prepne na 50%. Keď sa dotknete tlačidla tretíkrát, všetky svetlá zhasnú. Ovládanie je v slučke pre následnú operáciu.
- Tento výrobok obsahuje LED svetelný zdroj s triedou energetickej účinnosti G.



## ■ DISPLEJ ZOBRAZENIA TEPLoty

- Teplota sa zobrazuje digitálne, aby ju bolo možné najlepšie čítať. Pri nastavovaní teploty zobrazujú digitálne číslice nastavenú teplotu.
- Keď je teplotná sonda pokazená, na displeji sa namiesto digitálnej číslice zobrazí „HH“ alebo „LL“ a bude znieť nepretržitý zvukový signál. Ak táto situácia nastane, bude spotrebič vďaka premyslenému dizajnu pravidelne spúšťať kompresor a ventilátory, aby udržal chlad vnútri skrinky a ochránil tak uložené vína.



**Varovanie:** Aby nedošlo k znehodnoteniu uložených vín, dôrazne vám odporúčame, aby ste nechali spotrebič okamžite opraviť, pretože záložný periodický beh nezaistí dosiahnutie teploty, ktorú ste nastavili.

## ■ NASTAVENIE TEPLoty

- Rozsah nastavenia teploty je 5 - 20 °C (41 - 68 °F).
- Priamym dotykom značky  $\oplus$  alebo  $\ominus$  nastavte požadovanú teplotu vo vinotéke.
- Prvým dotykom značky  $\oplus$  alebo  $\ominus$  vyvoláte predtým nastavenú teplotu.
- Dotykom značky  $\oplus$  zvýšite teplotu o 1 °C (alebo o 1 °F). Naopak dotykom značky  $\ominus$  znížite teplotu o 1 °C (alebo o 1 °F).




## ■ VOĽBA ZOBRAZENIA STUPŇOV FAHRENHEITA (°F) A CELZIA (°C)

- Dotknite sa značiek  $\oplus$   $\ominus$  2 prstami súčasne a podržte ich v trvaní 3 sekúnd, čím môžete zmeniť zobrazenie stupňov Fahrenheita a Celzia.

## ■ VOĽBA NASTAVENEJ TEPLoty A SKUTOČNEJ TEPLoty

- V uzamknutom stave stlačte súčasne značky  $\oplus$  +  $\ominus$  pomocou dvoch prstov a podržte ich v trvaní 5 sekúnd. Keď začujete zvukový signál dostanete sa do voľby.
- Stlačením značky  $\ominus$  zvolte režim „01“ alebo „02“ podľa vašej potreby.
- Ak na displeji bude blikať „01“, znamená to, že režim zobrazenia zobrazuje skutočnú teplotu.
- Ak na displeji bude blikať „02“, znamená to, že režim zobrazenia zobrazuje nastavenú teplotu.
- Nechajte displej blikať v trvaní 5 sekúnd so zvukovým signálom, aby ste potvrdili nastavenie.

## ■ VOĽBA REŽIMU ÚSPORY ENERGIE

- Nastavenie režimu zobrazenia na displeji: Ak je systém v uzamknutom stave, podržte stlačenú značku  v trvaní 3 sekúnd a zaznie zvukový signál. Rozsvieti sa LED indikátor, čo indikuje, že systém sa prepol do režimu vypnutého displeja. Rovnakým spôsobom bude LED indikátor zhasnutý so zvukovým signálom, keď bude systém prepnutý do režimu neustále zapnutého displeja.
- Keď sa dotknete tlačidla napájania  v režime vypnutého displeja, podsvietenie tlačidiel a digitálny displej zhasne.
- Keď sa dotknete tlačidla napájania  v režime zapnutého displeja, všetky podsvietenia tlačidiel zhasnú, digitálny displej bude stále svietiť.
- Keď je systém v režime vypnutia displeja, dotyk na ľubovoľné tlačidlo rozsvieti displej.

## ■ INDIKÁTOR FUNKCIE



Indikátor funkcie

- o Keď kompresor začne pracovať, indikátor zostane svietiť.
- o Za iných podmienok bude indikátor vypnutý.

## ■ ČISTENIE VINOTÉKY

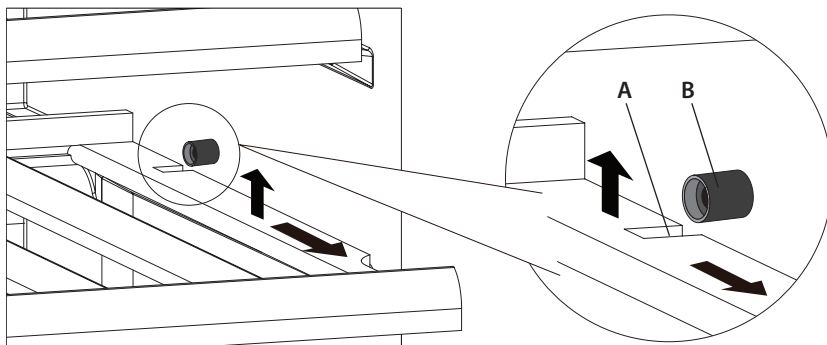
- Vypnite napájanie, odpojte spotrebič a vyberte všetky predmety vrátane poličiek.
- Vnútorne povrchy utrite špongiou a roztokom sódy. Roztok by mal obsahovať 2 polievkové lyžice jedlej sódy na 1 liter teplej vody.
- Poličky umyte jemným roztokom čistiaceho prostriedku. Pred vložením do vinotéky nechajte drevené poličky vyschnúť.
- Pri čistení priestoru ovládacích prvkov alebo elektrických častí, vždy vyžmýkajte prebytočnú vodu zo špongie alebo utierky.
- Vonkajšiu skrinku utrite teplou vodou a jemným tekutým čistiacim prostriedkom. Utrite do sucha čistou jemnou utierkou.
- Na nehrdzavejúcu ocel' nepoužívajte oceľovú kefu alebo drôtenku. Dôjde tým k poškriabaniu nehrdzavejúcej ocele oceľovými časticami a môže dôjsť aj k hrdzaveniu.

## ■ VYBRATIE POLIČIEK

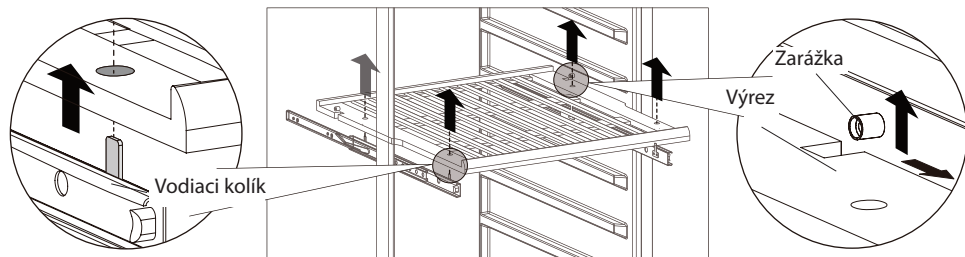
- Pred vybratím poličky zo spotrebiča je nevyhnutné vybrať všetky fľaše vína na danej poličke;
- Pri modeli so zasúvacou koľajničkou posuňte poličku do polohy, v ktorej je výrez na drevenej poličke priamo pod plastovou zarážkou a zdvihnite drevenú poličku. Zaistite, prosím, ich navrátenie na miesto pri vrátení poličky späť.
- Pred vložením akejkoľvek fľaše do skrinky sa uistite, či sú poličky správne vložené. Na uistenie, či sú poličky správne vložené, vytiahnite poličky úplne von do polohy zarážky (STOPPER) a zatlačte ich niekoľkokrát späť.

A. Výrez

B. Plastová zarážka



- Pri modeli so zasúvacou koľajničkou prosím zdvihnite celú poličku vodorovne hore, aby ste ju oddelili od 4 vodiacich kolíkov zasúvacej koľajničky.



## ■ VÝMENA UHLÍKOVÉHO FILTRA (VOLITEĽNÁ MOŽNOSŤ)

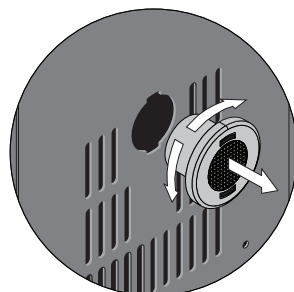
Pre zretie vína je dôležitá dobrá kvalita okolitého vzduchu. Uhlíkový filter je veľmi užitočný, pretože vstrebáva zápach a zlepšuje kvalitu vzduchu. Pri modeloch s uhlíkovým filtrom odporúčame, aby ste jedenkrát ročne tento filter vymenili. Filter si, prosím, objednajete u vášho predajcu.

Vybratie uhlíkového filtra:

- o Uchopte uhlíkový filter a otočte ho o 90° doľava alebo doprava na jeho vybratie;

Opätovné vloženie uhlíkového filtra:

- o Uchopte uhlíkový filter a otočte ho o 90° doľava alebo doprava tak, aby zacvakol do správnej polohy.



## ■ ODMRAZOVANIE

- o Odmrazovanie prebieha vnútri vašej vinotéky počas jej prevádzky automaticky. Voda z odmrázovania sa zachytáva odparovacou miskou a automaticky sa tu odparuje.
- o Odparovaciu miskú a vypúšťací otvor vody z odmrázovania je potrebné pravidelne čistiť. Tým sa zabráni zhromažďovaniu vody v dolnej časti vinotéky, namiesto jej tečenia vypúšťacím kanálom na odmrázovanie a vypúšťacím otvorom.
- o Na vyčistenie vypúšťacieho otvoru doň môžete tiež naliať malé množstvo vody.
- o Mali by ste dávať pozor a zaistiť, aby sa fľaše vína nedotýkali zadnej steny spotrebiča, pretože by to mohlo prerušiť proces automatického odmrázovania a odkloniť vodu do základne vašej vinotéky.

## ■ PREMIESTŇOVANIE VAŠEJ VINOTÉKY

Ak potrebujete premiestniť vašu vinotéku na iné miesto, postupujte, prosím, nasledujúcim spôsobom.

- o Odstráňte z vinotéky všetky predmety.
- o Bezpečne prilepte páskou všetky voľné predmety vnútri spotrebiča, ako napríklad poličky.
- o Zaskrutkujte nastaviteľné nožičky hore k základni, aby ste zabránili ich poškodeniu.
- o Zaistite páskou uzatvorenie dveriek.
- o Zaistite, aby stál spotrebič počas prepravy vo zvislej polohe. Aby ste tiež zabránili poškodeniu vonkajšieho plášťa, obalte spotrebič dekou alebo podobnou látkou.

## ■ VÝPADOK DODÁVKY ELEKTRICKEJ ENERGIE

- o Ak dôjde pri spotrebiči k výpadku dodávky elektrickej energie, dokáže niekoľko hodín udržiavať teplotu vnútri skrinky. Za predpokladu, že je minimalizovaný počet otvárania dvierok.
- o Ak je výpadok dlhší, než niekoľko hodín, budete potrebovať uložiť obsah na iné miesto, aby nedošlo k jeho znehodnoteniu zvýšením teploty.

**DÔLEŽITÉ:** Ak je spotrebič odpojený od sieťového napájania, dôjde k výpadku napájania alebo spotrebič vypnete, musíte pred jeho opätovným zapnutím 5 minút počkať. Ak sa ho pokúsíte opäť zapnúť pred uplynutím tohto času, môže dôjsť k poškodeniu kompresora.

## ■ DOVOLENKA

**Krátka dovolenka:** V prípade dovolenky, ktorá je kratšia než 3 týždne, ponechajte vinotéku v prevádzke.

**Dlhá dovolenka:**

- o Ak nebudete váš spotrebič používať dlhší čas, mali by ste fľaše s vínom vybrať a spotrebič vypnúť.
- o Vnútorne priestory by ste mali očistiť pomocou roztoku jedlej sódy a vlažnej vody.
- o Vnútorne priestory by ste potom mali dôkladne vysušiť.
- o Aby nedošlo k rastu plesní, ponechajte dvierka mierne pootvorené.

## ■ ODPOJENIE NAPÁJANIA

- o Ak je spotrebič odpojený od sieťového napájania alebo ak dôjde k výpadku napájania, musíte pred opätovným spustením spotrebiča 5 minút počkať. Ak sa pokúsíte vinotéku opäť spustiť pred uplynutím 5 minút, môže dôjsť k jej poruche.

## RIEŠENIE PROBLÉMOV

Ak sa vám zdá, že spotrebič nefunguje správne, skúste pred tým, než zavoláte do servisu, pomocou nasledujúcich pokynov skúsiť problém vyriešiť sami.

Č.	PROBLÉM	MOŽNÁ PRÍČINA PROBLÉMU/OPATRENIE
1	Vinotéka nefunguje.	Spotrebič nie je pripojený k sieti. Spotrebič je vypnutý. Bol aktivovaný istič alebo je vypálená poistka.
2	Vinotéka nedostatočne chladí.	Skontrolujte nastavenie teploty. Teplota okolitého prostredia môže vyžadovať vyššie nastavenie. Dvierka sa veľmi často otvárajú. Dvierka nie sú celkom dovreté. Tesnenie dvierok riadne netesní.
3	Časté automatické zapnutie a vypnutie.	Teplota v miestnosti je vyššia, ako obvykle. Do vinotéky sa pridalo veľké množstvo položiek. Dvierka sa veľmi často otvárajú. Dvierka nie sú celkom dovreté. Ovládač teploty nie je správne nastavený. Tesnenie dvierok riadne netesní.
4	Nefunguje osvetlenie.	Spotrebič nie je pripojený k sieti. Bol aktivovaný istič alebo je vypálená poistka. Osvetlenie je vypnuté. Ohľadom opravy a výmeny kontaktujte servisné stredisko
5	Veľmi veľké vibrácie.	Kontrolou sa uistite, či je spotrebič vyrovnaný. Kontrolou sa uistite, či vo vnútri skrinky alebo v komore kompresora nie sú žiadne uvoľnené diely.
6	Vinotéka sa zdá byť veľmi hlučná.	Drnčivý zvuk môže byť spôsobený prúdením chladiva. Ide o normálny jav. Na konci každého cyklu začujete bublajúci zvuk, ktorý je spôsobený prúdením chladiva. Sťahovanie a rozširovanie vnútorných stien môže spôsobovať praskavý alebo pukavý zvuk. Spotrebič nie je vyrovnaný.
7	Dvierka sa správne nezatvárajú.	Vinotéka nie je vyrovnaná. Zmena smeru otvárania dvierok sa vykonalo nesprávne. Tesnenie je znečistené. Poličky sú nesprávne umiestnené.
8	Na displeji sa zobrazuje „HH“ alebo „LL“ namiesto digitálnej číslice, a/alebo sa ozýva nepretržitý zvukový signál.	Porucha teplotnej sondy.

# ZMENA SMERU OTVÁRANIA DVIEROK


## Poznámky:

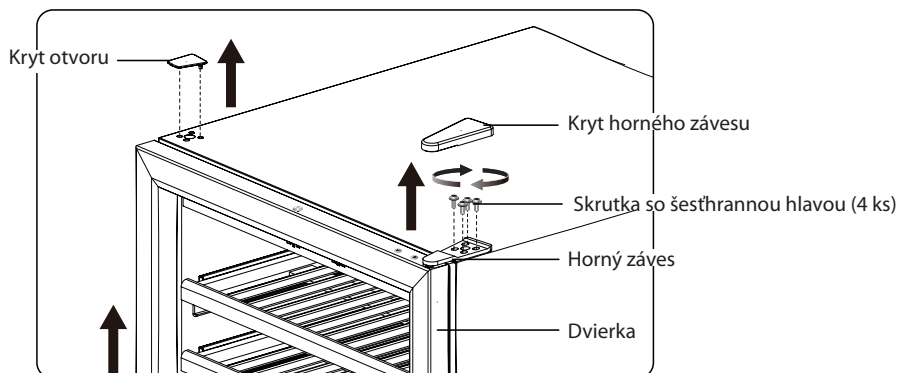
- Nasledujúce operácie sú k dispozícii len pre model s ovládacími prvkami vo vnútri a s nainštalovaným pravým závesom dvierok.
- Všetky vybrané diely vám odporúčame uložiť pre prípad opätovného zmenu smeru otvárania dvierok.

## ■ OVLÁDACIE PRVKY VO VNÚTRI

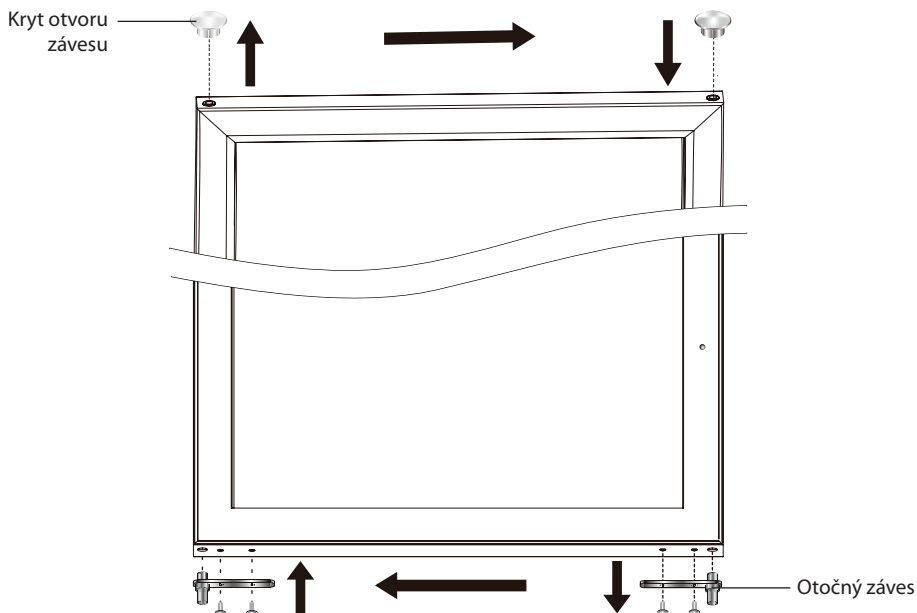
### DÔLEŽITÁ INFORMÁCIA

Odporúčame vám, aby ste zaistili poličky na mieste pomocou lepiacej pásky, aby pri manipulácii so spotrebičom nedošlo k poškodeniu, a všetky odstránené diely starostlivo uschovajte.

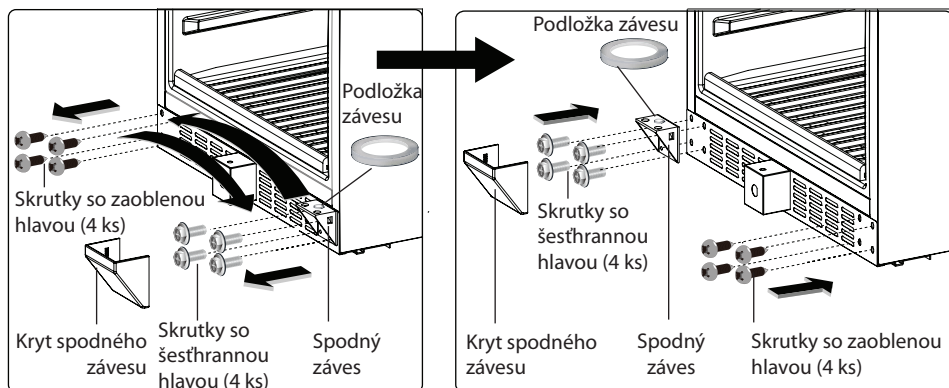
1. Pomocou plochého skrutkovača vyberte kryt otvoru a kryt horného závesu na hornej strane. Zložte horný záves odskrutkovaním skrutiek so šesťhrannou hlavou (4 ks). Teraz s vaším pomocníkom opatrne zdvihnite dvierka zo spodného závesu a opatrne ich položte nabok. Pre opätovnú inštaláciu je dôležité, aby podložka závesu  zostala v hornej časti spodného závesu.



2. Presuňte kryt závesu (v hornej časti dvierok) z ľavej strany na pravú stranu. Presuňte otočný záves (v spodnej časti dvierok) sprava doľava.

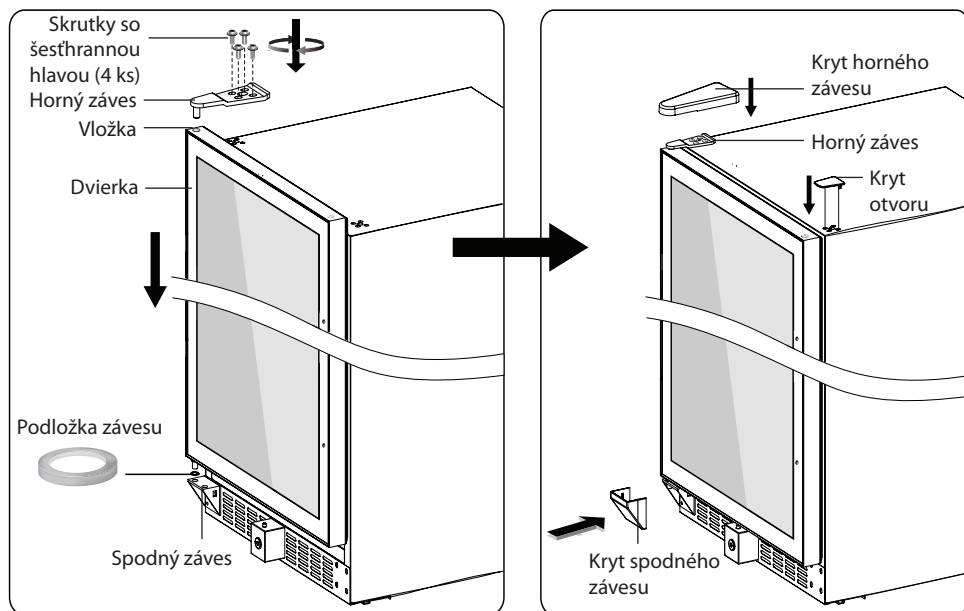


- 3.** Zložte kryt spodného závesu opatrným vypáčením malým plochým skrutkovačom. Zložte spodný záves odskrutkovaním skrutiek so šesťhrannou hlavou (4 ks). Odskrutkujte z ľavej spodnej strany skrutky s valcovou zaoblenou hlavou (4 ks). Teraz posuňte spodný záves na ľavú spodnú stranu a pevne ho priskrutkujte pomocou skrutiek so šesťhrannou hlavou (4 ks). Premiestnite skrutky s valcovou zaoblenou hlavou (4 ks) k pravej spodnej strane a zaskrutkujte ich.





4. Držte s pomocníkom pevne dvierka a umiestnite ich na hornú časť spodného závesu; uistite sa, či je otočný záves na správnom mieste voči podložke závesu. Vložte kolík horného závesu do vložky na pravej hornej strane a pripevnite ho pomocou skrutiek so šesťhrannou hlavou (4 ks). Zakryte horný záves a spodný záves krytom horného a krytom spodného závesu. Zakryte otvory pre skrutky závesu na pravej hornej strane pomocou krytky otvoru.



## Informačný list

PHILCO 

DELEGOVANÉ NARIADENIE KOMISIE (EÚ) 2019/2016

**Názov alebo ochranná známka výrobcu:** PHILCO

**Adresa výrobcu:** PHILCO, FAST ČR, a.s. U Sanitasu 1621 Říčany 251 01, Czech Republic

**Identifikačná značka modelu:** PW 143 GLV

**Typ chladiaceho zariadenia:** Vinotéka

Spotrebič s nízkym hlukom:	Nie	Typ spotrebiča:	voľne stojaci
Zariadenie na skladovanie vína:	Áno	Ostatné chladiace spotrebiče	Nie

### Základné špecifikácie:

Parameter	Hodnota	Parameter	Hodnota
Rozmery v mm	Výška	Celkový objem (dm <sup>3</sup> alebo l)	472
	Šírka		
	Hĺbka		
Index energetickej účinnosti (EEI)	144	Trieda energetickej účinnosti*	G
Akustický zvuk emisie hluku (dB(A) re 1 pW)	40	Trieda akustických emisií hluku	C
Ročná spotreba energie (kWh/rok)	162,0	Klimatická trieda:	N, ST
Minimálna okolitá teplota (° C), pre ktorú je chladiace zariadenie vhodné	16	Maximálna okolitá teplota (° C), pre ktorú je chladiace zariadenie je vhodné	38
Nastavenie spotrebiča na zimu	Nie		

### Špecifikácia priestoru

Typ priestoru	Parametre a hodnoty chladiaceho priestoru				
	Objem spotrebiča (dm <sup>3</sup> alebo l)	Odporúčené nastavenie teploty pre optimalizované skladovanie potravín (° C)	Mraziaca kapacita (kg/24h)	Typ odmrázovania: (auto-odmrázovanie = A manuálne odmrázovanie = M)	
Komora/špajza	Nie	-	-	-	-
Skladovanie vína	Áno	472,0	-	-	A
Pivničný priestor	Nie	-	-	-	-
Čerstvé potraviny	Nie	-	-	-	-
Mraziaci priestor	Nie	-	-	-	-
0-hviezdičiek alebo výrobnik ľadu	Nie	-	-	-	-

1-hviezdička	Nie	-	-	-	-
2-hviezdičky	Nie	-	-	-	-
3-hviezdičky	Nie	-	-	-	-
4-hviezdičky	Nie	-	-	-	-
2-hviezdičkový priestor	Nie	-	-	-	-
Zásuvka s meniacou sa teplotou	Nie	-	-	-	-
<b>Parametre zdroja svetla:</b>					
Typ svetelného zdroja			LED		
Trieda energetickej účinnosti			G		
<b>Minimálna doba trvania záruky ponúkanej výrobcom:</b> 24 mesiacov					
<b>Dodatočné informácie:</b>					
<b>Webový odkaz na web výrobcu, kde sú informácie uvedené v bode 4 (a) prílohy nariadenia Komisie (EÚ) 2019/2022 nájdené:</b> <a href="http://www.philco.cz">www.philco.cz</a>					

\* A (najvyššia účinnosť) až G (najnižšia účinnosť)

## TECHNICKÉ INFORMÁCIE

Technické informácie sa nachádzajú na typovom štítku na vnútornej strane spotrebiča a na energetickom štítku. QR kód, na dodanom energetickom štítku, obsahuje odkaz na registráciu spotrebiča v databáze EÚ Eprel.

## INFORMÁCIE O TESTOVANIE

Dodané zariadenie je v súlade s EcoDesign a EN62552-1/-2/-3:2020, EN60704-1:2010+A11:2012, EN60704-2-14:2013+A11:2015+A12019. Požiadavky na prístup vzduchu pre správnu prevádzku prístroja, minimálna vzdialenosť od steny a rozmery prístroja, sú súčasťou tohto návodu. V prípade ďalších otázok sa obráťte na výrobcu.

## STAROSTLIVOSŤ O ZÁKAZNÍKA A SERVIS

Vždy používajte iba originálne náhradné diely.

Označenie modelu a sériové číslo nájdete na typovom štítku. Polohu typového štítku je možné zmeniť bez predchádzajúceho upozornenia.

Originálne náhradné diely pre niektoré konkrétne komponenty sú k dispozícii minimálne 7 alebo 10 rokov. Závisí to od typu komponentu a od uvedenia posledného spotrebiča daného modelu na trh.

Pri kontaktovaní nášho autorizovaného servisu majte k dispozícii modelové označenie, sériové číslo a popis chyby.

Pre stiahnutie dokumentov navštívte [www.philco.sk](http://www.philco.sk).

Pre nahlásenie závady a získanie ďalších servisných informácií navštívte [www.philco.sk/servisne-miesta](http://www.philco.sk/servisne-miesta).

Zmeny vyhradené bez predchádzajúceho upozornenia.

# POKYNY A INFORMÁCIE TÝKAJÚCE SA LIKVIDÁCIE POUŽITÝCH OBALOVÝCH MATERIÁLOV

Obalové materiály zlikvidujte na verejnom mieste pre likvidáciu odpadu.

## LIKVIDÁCIA POUŽITÝCH ELEKTRICKÝCH A ELEKTRONICKÝCH SPOTREBIČOV



Význam symbolu na výrobku, jeho príslušenstve alebo obale znamená, že s týmto výrobkom nesmie byť zaobchádzané ako s komunálnym odpadom. Tento výrobok zlikviduje na príslušnom zbernom mieste pre recykláciu odpadu z elektrických a elektronických zariadení. Poprípade je možné v niektorých štátoch Európskej únie alebo iných európskych štátoch vrátiť svoje výrobky miestnemu predajcovi, v prípade kúpy podobného nového výrobku. Správna likvidácia tohto výrobku pomôže ušetriť cenné prírodné zdroje a pomôcť pri prevencii prípadného negatívneho vplyvu na životné prostredie a ľudské zdravie, ku ktorému by mohlo dôjsť v dôsledku nesprávnej likvidácie odpadu. Podrobnejšie informácie získate od miestneho úradu alebo v najbližšom stredisku pre zber odpadu. Nesprávna likvidácia tohto typu odpadu môže podliehať vnútroštátnym predpisom o pokutách.

### Pre podnikateľské subjekty v Európskej únii

Ak chcete zlikvidovať elektrické alebo elektronické zariadenie, vyžiadať si potrebné informácie od svojho predajcu alebo dodávateľa.

### Likvidácia v iných štátoch mimo Európskej únie

Ak chcete zlikvidovať tento výrobok, vyžiadať si nevyhnutné informácie o správnom spôsobe likvidácie od miestnych úradov alebo svojho predajcu.



Tento výrobok spĺňa všetky základné požiadavky nariadenia EÚ, ktoré sa naň vzťahujú.

Zmeny v texte, dizajne a technických údajoch sa môžu vyskytnúť bez predchádzajúceho upozornenia a vyhradujeme si právo vykonať tieto zmeny.

Originál tohto návodu na obsluhu je v českom jazyku.



**VAROVANIE!** POČAS POUŽÍVANIA, SERVISU A LIKVIDÁCIA VENUJTE POZORNOSŤ SYMBOLU PODOBNÉMU NA ĽAVEJ STRANE, KTORÝ JE UMIESTNENÝ NA ZADNEJ STRANE SPOTREBIČA (ZADNÝ PANEL ALEBO KOMPRESOR) A SO ŽLTOU ALEBO ORANŽOVOU FARBOU.



JE TO RIZIKO POŽIARNEHO VAROVNÉHO SYMBOLU. SÚ TU HORĽAVÉ MATERIÁLY POTRUBIA A KOMPRESOR. BUĎTE ĎALEKO OD ZDROJA OHŇA POČAS POUŽÍVANIA, OBSLUHY SPOTREBIČA A LIKVIDÁCIE.

# Chłodziarka do wina

INSTRUKCJA OBSŁUGI

**PHILCO**



*Famous for Quality the World Over*

**PW 143 GLV**

**Szanowny Kliencie,  
Dziękujemy za zakup produktu marki PHILCO. Aby Twoje urządzenie mogło Ci dobrze służyć,  
przeczytaj wszystkie wskazówki zawarte w niniejszej instrukcji obsługi.**

# SPIS TREŚCI

<b>INSTRUKCJE BEZPIECZEŃSTWA.....</b>	<b>3</b>
<b>OPIS URZĄDZENIA I JEGO INSTALACJA .....</b>	<b>7</b>
<b>INSTALACJA AKCESORIÓW PRZED UŻYCIEM PRODUKTU .....</b>	<b>9</b>
<b>OBSŁUGA WITRYNY .....</b>	<b>10</b>
<b>KONSERWACJA.....</b>	<b>15</b>
<b>ROZWIĄZANIE PROBLEMÓW .....</b>	<b>18</b>
<b>ZMIANA KIERUNKU OTWIERANIA DRZWI .....</b>	<b>19</b>
<b>ARKUSZ INFORMACYJNY .....</b>	<b>22</b>



Urządzenie zostało przetestowane zgodnie z obowiązującymi dyrektywami Unii Europejskiej.  
Urządzenie jest zgodne z przepisami bezpieczeństwa dotyczącymi urządzeń elektrycznych w Unii Europejskiej.



## **SZANOWNY KLIENCIE:**

Dziękujemy Ci za zakup naszej lodówki. Aby osiągnąć jak najlepsze efekty podczas używania tego urządzenia, przeczytaj tę instrukcję obsługi.

Upewnij się, że materiały opakowania zostały zlikwidowane zgodnie z aktualnymi wymaganiami związanymi z ochroną środowiska.

Podczas likwidacji każdego urządzenia chłodzącego skontaktuj się a lokalnym urzędem do spraw likwidacji odpadów, gdzie uzyskasz informacje dotyczące bezpiecznej likwidacji.

Urządzenia można używać jedynie zgodnie z celem przeznaczenia.

## **UWAGA:**

Urządzenia nie mogą używać małe dzieci lub osoby starsze bez nadzoru. Pilnuj małych dzieci, by nie bawiły się urządzeniem.

## INSTRUKCJE BEZPIECZEŃSTWA

TO URZĄDZENIE JEST PRZEZNACZONE DO UŻYTKU PRZEZ DZIECI W WIEKU 8 LAT I STARSZE ORAZ OSOBY O OGRANICZONYCH ZDOLNOŚCIACH FIZYCZNYCH, SENSORYCZNYCH LUB UMYSŁOWYCH LUB BEZ DOŚWIADCZENIA I WIEDZY, POD WARUNKIEM, ŻE SĄ ONE POD NADZOREM LUB ZOSTAŁY POINSTRUOWANE O KORZYSTANIU Z URZĄDZENIA W BEZPIECZNY SPOSÓB I ZROZUMIAŁY ZWIĄZANE Z TYM NIEBEZPIECZEŃSTWA.

DZIECI NIE MOGĄ BAWIĆ SIĘ URZĄDZENIEM. CZYSZCZENIE I KONSERWACJA NIE MOGĄ BYĆ WYKONYWANE PRZEZ DZIECI BEZ NADZORU. DZIECI W WIEKU OD 3 DO 8 LAT MOGĄ WKŁADAĆ I WYJMOWAĆ ŻYWNOSĆ Z URZĄDZEŃ CHŁODNICZYCH.

JEŚLI PRZEWÓD ZASILAJĄCY JEST USZKODZONY, NALEŻY GO WYMIENIĆ W WYKWALIFIKOWANYM CENTRUM SERWISOWYM, ABY UNIKNĄĆ ZAGROŻENIA. ZABRANIA SIĘ UŻYWANIA URZĄDZENIA Z USZKODZONYM PRZEWODEM ZASILAJĄCYM.



NAPEŁNIAJ TYLKO KOSTKARKI DO LODU, KTÓRE NIE SĄ PRZEZNACZONE DO PODŁĄCZENIA DO SIECI WODOCIĄGOWEJ, WODĄ PITNĄ.



OTWORY WENTYLACYJNE W OBUDOWIE URZĄDZENIA LUB W JEGO KONSTRUKCJI MUSZĄ BYĆ WOLNE.



W CELU PRZYSPIESZENIA PROCESU ROZMRAŻANIA NIE NALEŻY UŻYWAĆ URZĄDZEŃ MECHANICZNYCH ANI ŚRODKÓW INNYCH NIŻ ZALECANE PRZEZ PRODUCENTA.



NIE USZKODZIĆ UKŁADU CHŁODZENIA.



NIE UŻYWAJ URZĄDZEŃ ELEKTRYCZNYCH W OBSZARZE PRZECHOWYWANIA ŻYWNOSCI, CHYBA ŻE SĄ TO TYPY ZALECANE PRZEZ PRODUCENTA.

W TYM URZĄDZENIU NIE NALEŻY PRZECHOWYWAĆ SUBSTANCJI WYBUCHOWYCH, TAKICH JAK ŁATWOPALNE PROPELENTY W AEROZOLU.

TO URZĄDZENIE JEST PRZEZNACZONE WYŁĄCZNIE DO UŻYTKU DOMOWEGO A NIE W POMIESZCZENIACH, TAKICH JAK:

- ANEKSY KUCHENNE W SKLEPACH, BIURACH I INNYCH MIEJSCACH PRACY;
- URZĄDZENIA UŻYWANE PRZEZ GOŚCI W HOTELACH, MOTELACH I INNYCH MIEJSCACH ZAMIESZKANIA;
- URZĄDZENIA UŻYWANE W OBIEKTACH TYPU BED AND BREAKFAST;
- URZĄDZENIA UŻYWANE W GASTRONOMII I PODOBNYCH ŚRODOWISKACH NIENADAJĄCYCH SIĘ NA SPRZEDAŻ.



PODŁĄCZAJ TYLKO KOSTKARKI DO LODU PRZEZNACZONE DO PODŁĄCZENIA WODY DO ŹRÓDŁA WODY PITNEJ.



URZĄDZENIE NALEŻY ZAMONTOWAĆ ZGODNIE Z INSTRUKCJĄ, ABY UNIKNĄĆ NIEBEZPIECZEŃSTWA ZWIĄZANEGO Z JEGO NIESTABILNOŚCIĄ.



ISO 7000-1701 (2004-01) WSKAZUJE MEDIUM POD CIŚNIENIEM.



ZAGROŻENIE POŻAROWE / MATERIAŁY ŁATWOPALNE!



UKŁAD CHŁODZENIA ZAWIERA CZYNNIK CHŁODNICZY POD WYSOKIM CIŚNIENIEM. NIE MANIPULUJ SYSTEMEM. MOŻE BYĆ NAPRAWIONY TYLKO PRZEZ WYKWALIFIKOWANĄ OSOBĘ.

# R600A

ZAWIERA CZYNNIK CHŁODNICZY IZOBUTAN, KTÓRY JEST ŁATWOPALNY. NALEŻY UNIKAĆ USZKODZENIA ELEMENTÓW UKŁADU CHŁODNICZEGO PODCZAS TRANSPORTU I INSTALACJI URZĄDZENIA.



USTAWIAJĄC URZĄDZENIE, UPEWNIJ SIĘ, ŻE ZASILACZ NIE JEST ZABLOKOWANY LUB USZKODZONY.



NIE UMIESZCZAJ WIELU PRZENOŚNYCH GNIAZDEK ANI PRZENOŚNYCH PRZEDŁUŻACZY Z TYŁU URZĄDZENIA.

## INNE ZALECENIA / INSTALACJA

### BEZPIECZEŃSTWO ELEKTRYCZNE:

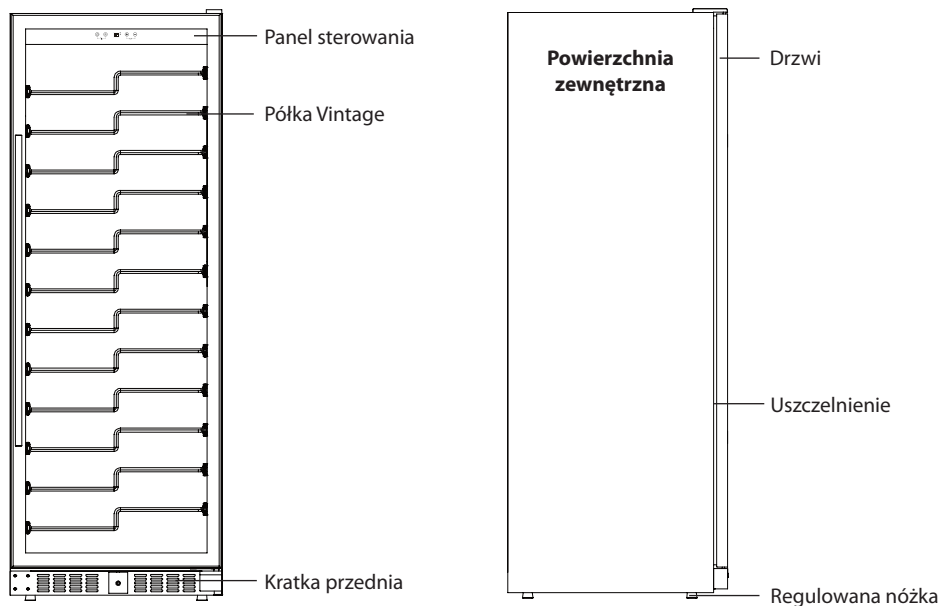
- NIE WOLNO PRZEDŁUŻAĆ PRZEWODU ZASILAJĄCEGO.
- UPEWNIJ SIĘ, ŻE WTYCZKA PRZEWODU ZASILAJĄCEGO NIE JEST USZKODZONA, MOŻE TO SPOWODOWAĆ PRZEGRZANIE I POŻAR.
- USTAWIAJĄC URZĄDZENIE, UPEWNIJ SIĘ, ŻE PRZEWÓD ZASILAJĄCY NIE JEST PRZYCIĘTY LUB USZKODZONY.
- NIE UMIESZCZAJ WIELU PRZENOŚNYCH GNIAZDEK ANI PRZENOŚNYCH PRZEDŁUŻACZY Z TYŁU URZĄDZENIA.
- URZĄDZENIE NIE MOŻE STAĆ NA PRZEWODZIE ZASILAJĄCYM.
- URZĄDZENIA NIE WOLNO UMIESZCZAĆ W WILGOTNYM ŚRODOWISKU, PRZEWÓD ZASILAJĄCY NIE MOŻE LEŻEĆ W WODZIE.
- UPEWNIJ SIĘ, ŻE MASZ SWOBODNY DOSTĘP DO WTYCZKI URZĄDZENIA.
- NIE CIĄGNIJ ZA PRZEWÓD ZASILAJĄCY.
- NIE PODŁĄCZAJ WTYCZKI DO LUŻNEGO GNIAZDKA ELEKTRYCZNEGO. ISTNIEJE RYZYKO PORĄŻENIA PRĄDEM LUB POŻARU.
- NIE UŻYWAJ TEGO URZĄDZENIA BEZ WEWNĘTRZNEJ OSŁONY OŚWIETLENIA.
- LODÓWKA JEST ZAPROJEKTOWANA DO ZASILANIA TYLKO JEDNĄ FAZĄ PRĄDU PRZEMIENNEGO O WARTOŚCIACH 220 - 240V / 50 HZ. ZE WZGLĘDÓW BEZPIECZEŃSTWA W LODÓWCE NALEŻY STOSOWAĆ AUTOMATYCZNY REGULATOR NAPIĘCIA O MOCY PONAD 350 W, JEŚLI WAHANIA NAPIĘCIA W MIEJSCU ZAMIESZKANIA UŻYTKOWNIKA SĄ TAK DUŻE, ŻE PRZEKRACZAJĄ OKREŚLONE LIMITY.
- WTYCZKA MUSI ODPOWIADAĆ GNIAZDU ZE STYKIEM UZIEMIAJĄCYM.

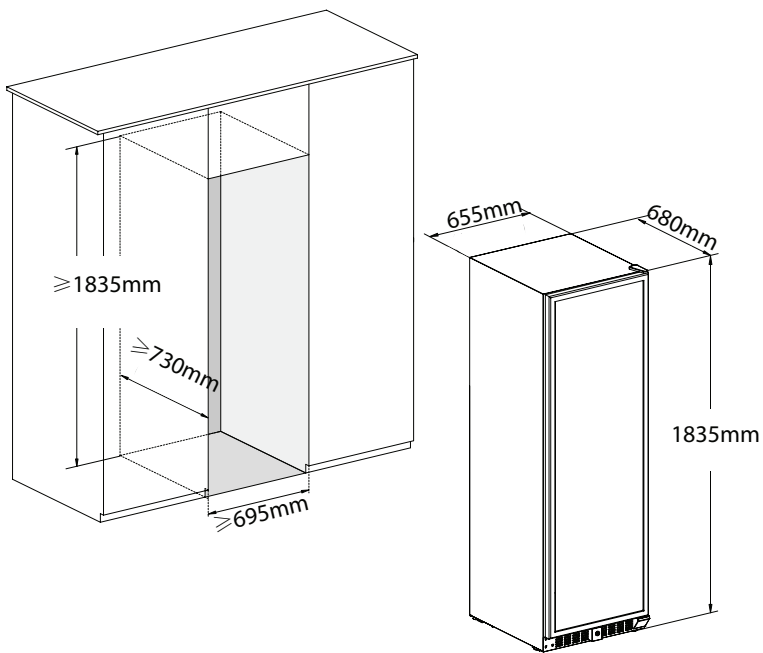
## OPIS URZĄDZENIA I JEGO INSTALACJA

Poniższe rysunki ilustrują jedynie opis urządzenia. Rozmiar i ilość półek mogą się różnić między modelami tej samej serii.

### ■ ELEMENTY STEROWANIA WEWNĄTRZ

#### Jedna strefa **143** butelki





# INSTALACJA AKCESORIÓW PRZED UŻYCIEM PRODUKTU

## ■ ROZPAKOWANIE I CZYSZCZENIE WITRYNY

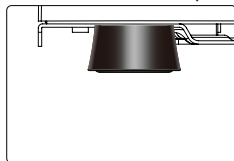
- Usuń zewnętrzne i wewnętrzne materiały opakowania.
- Przed podłączeniem do źródła energii zostaw to urządzenie na około **24 godziny** w pozycji pionowej, aby zminimalizować ryzyko awarii systemu chłodzącego w wyniku manipulacji podczas transportu.
- Za pomocą delikatnej ściereczki wyczyść powierzchnię wewnętrzną letnią wodą.

**WAŻNE: Przednia kratka na podstawie urządzenia jest przeznaczona do wentylacji. Przed tą przednią kratką nie stawiaj żadnych przedmiotów, w przeciwnym razie witryna może nie działać prawidłowo.**

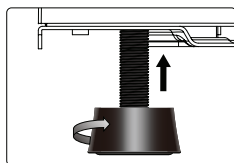
- o Do przedniej części otworów wentylacyjnych podstawy można przymocować ozdobną podstawę – w tej podstawie należy zrobić wycięcie większe niż przednia żaluzja. Wycięcie to wymagane jest bez względu na to, czy przednia żaluzja jest usunięta czy nie.

## ■ USTAWIENIE WYSOKOŚCI I WYRÓWNANIE WITRYNY

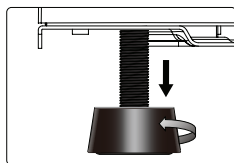
- o To urządzenie jest wyposażone w regulowane nóżki, dzięki czemu jego wysokość możesz regulować tak, aby witryna była wy poziomowana nawet na nierównych powierzchniach.
- o Polecamy, aby tę operację wykonały dwie osoby.
- o Wysokość należy ustawić przed wstawieniem urządzenia do zabudowy tak aby górny panel urządzenia dokładnie wszedł pod blat kuchenny.



- o Przechyl urządzenie o około 60° aby zapewnić dostęp do regulowanych nóżek.
- o Zapewnij, aby urządzenie było na stałe podparte.



- o Dokręć nóżkę do odpowiedniej pozycji, aby wyrównać witrynę.



- o Powtórz te kroki dla wszystkich regulowanych nóżek.

**WAŻNE: Jeśli urządzenie nie jest wyrównane, może to negatywnie wpłynąć na drzwi i ich uszczelnienie.**  
**WAŻNE: Nie przemieszczaj urządzenia, którego nóżki są wysoko wysunięte.**



## ■ BLOKOWANIE I ODBLOKOWANIE DRZWI (OPCJA DODATKOWA)

- Blokada jest funkcją opcjonalną. Jeśli twoja witryna jest wyposażona w tę funkcję, wraz z tą instrukcją znajdziesz załączony do niej klucz.
- Włóż klucz do zamka i obróć go odwrotnie do ruchu wskazówek zegara. Aby zablokować obróć go zgodnie z ruchem wskazówek zegara. Klucz przechowuj w odpowiednim miejscu.

## OBSŁUGA WITRYNY

### ■ KLASA KLIMATYCZNA

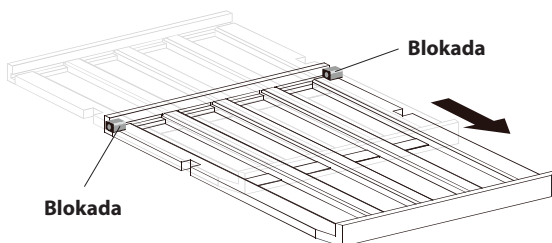
- To urządzenie jest zaprojektowane do pracy w klasie klimatycznej SN do N (zobacz poniższą tabelę klas klimatycznych). Poleca się utrzymywanie temperatury otoczenia 22 - 25 °C, przy której urządzenia ma niskie zużycie energii.

Klasa klimatyczna	Temperatura w pomieszczeniach
SN	10 - 32 °C (50 F - 90 °F)
N	16 - 32 °C (61 °F - 90 °F)
ST	16 - 38 °C (61 °F - 100 °F)
T	16 - 43 °C (61 °F - 109 °F)

- Jeśli temperatura otoczenia jest niższa lub wyższa niż zaproponowany zakres klimatyczny, może to wpłynąć na wydajność urządzenia. Na przykład przy pracy urządzenia w ekstremalnie zimnym lub ciepłym otoczeniu może dochodzić do wahań temperatur a w niektórych przypadkach może nie być możliwe osiągnięcie temperatury 5-22 °C.

## ■ PRZECHOWYWANIE WINA

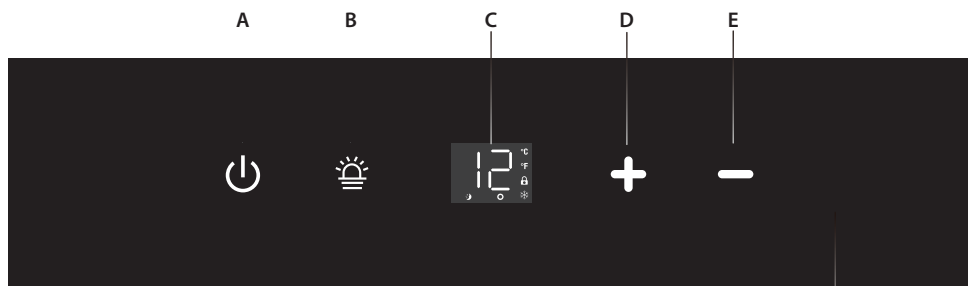
- Standardowe półki są zaprojektowane do idealnego przechowywania butelek Bordeaux. Maksymalna ilość włożonych butelek może się różnić zależnie od różnych wielkości i rozmiarów przechowywanych butelek z winem.
- Półki można wyciągnąć o około 1/3 długości, aby ułatwić dostęp do przechowywanego wina.



- Aby nie doszło do uszkodzenia uszczelki drzwiowej, zapewnij, aby przed wyciągnięciem półek drzwiczki były całkowicie otwarte.
- Wino przechowuj w zamkniętych butelkach.
- Nie przykrywaj półek folią aluminiową ani innym podobnym materiałem, który mógłby blokować przepływ powietrza.
- Jeśli witryna przez dłuższy czas będzie pusta, polecamy odłączenie urządzenia a po starannym wyczyszczeniu zostawienie uchylonych drzwiczek, aby wewnątrz mogło przepływać powietrze. Zapobiega to ewentualnej kondensacji, tworzeniu pleśni i brzydkich zapachów.
- Polecane temperatury chłodzenia/przechowywania wina podano w tabeli poniżej.
- Długie otwarcie drzwiczek może spowodować znaczące zwiększenie temperatury w przegródkach urządzenia. Polecane temperatury chłodzenia /przechowywania wina są podane poniżej, zgodnie z tą tabelą wybierz strefy i temperatury.

Typ wina	Polecana temperatura
Czerwone wino	15 - 18 °C (59 °F - 64 °F)
Wytrawne/ białe wino	9 - 14 °C (48 °F - 57 °F)
Wino musujące	10 - 11 °C (50 °F - 52 °F)
Sparkling Wines	5 - 8 °C (41 °F - 46 °F)

## ■ PANEL STEROWANIA (ELEMENTY STEROWANIA WEWNĄTRZ)



A. Zasilanie

B. Światło

C. Wyświetlacz

D. Zwiększenie temperatury

E. Zmniejszenie temperatury

A+B. Blokada/Odblokowanie

D+E. Przełącznik °C/°F

## ■ WŁĄCZANIE/WYŁĄCZANIE ZASILANIA

- Po podłączeniu urządzenia do gniazdka elektrycznego zasilanie włączy się automatycznie.
- Aby wyłączyć (lub włączyć) urządzenie dotknij symbolu zasilania (⏻) i przytrzymaj przez **10 sekund**.
- Bez względu na stan blokady możesz wyłączyć urządzenie dotykając symbolu zasilania (⏻) i przytrzymując przez **10 sekund**.



**Ostrzeżenie:** Aby nie doszło do uszkodzenia kompresora, nie włączaj urządzenia ponownie przez 5 minut po jego wyłączeniu.

## ■ ODBLOKOWANIE PANELU STEROWANIA

- Przy jednej strefie, dotknij symbolu zasilania i oświetlenia (⏻) i (💡) 2 palcami równocześnie i przytrzymaj je przez **3 sekundy**. Po odblokowaniu usłyszysz sygnał dźwiękowy.
- Przy strefie podwójnej, dotknij symbolu blokady (🔒) i przytrzymaj przez **3 sekundy**. Po odblokowaniu usłyszysz sygnał dźwiękowy.
- W stanie blokady panel sterowania nie będzie reagować na dotyk na włączanie/wyłączenia oświetlenia i ustawienie temperatury.

## ■ WŁĄCZANIE/WYŁĄCZANIE WEWNĘTRZNEGO OŚWIETLENIA

- W stanie blokady dotknij symbolu oświetlenia (💡), aby włączyć (lub wyłączyć) wewnętrzne oświetlenie LED.
- Oświetlenie zostanie włączone, dopóki nie wyłączysz go manualnie.
- Oświetlenie urządzenia wykorzystuje dwustopniowe zarządzanie pętlą. Przy pierwszym dotyku symbolu oświetlenia będzie one na 100% jasne. Po drugim dotknięciu symbolu (💡) jasność przełączy się na 50%. Gdy dotkniesz przycisku trzeci raz, wszystkie światła zgasną. Sterowanie jest w pętli dla następnej operacji.
- Ten produkt zawiera źródło światła LED o klasie efektywności energetycznej G.

## ■ WYŚWIETLANIE TEMPERATURY

- Temperatura wyświetla się cyfrowo, aby była dobrze widoczna i łatwo dostępna. Podczas ustawiania temperatury cyfrowy wyświetlacz pokazuje ustawioną temperaturę.
- Gdy czujnik temperatury jest zepsuty, na wyświetlaczu zamiast cyfr pojawi się „HH” lub „LL” i będzie brzmieć nieprzerwany dźwiękowy sygnał. Jeśli nastanie taka sytuacja, urządzenie będzie dzięki przemyślanemu projektowi regularnie uruchamiać kompresor i wentylatory, aby utrzymać chłód wewnątrz witryny i ochronić przechowywane wino.



**Ostrzeżenie:** Aby nie doszło do zepsucia przechowywanego wina, stanowczo polecamy, aby urządzenie zostało jak najszybciej naprawione, ponieważ zapasowa, okresowa praca urządzenia nie zapewni osiągnięcia temperatur, które ustawiono.

## ■ USTAWIENIA TEMPERATURY

- Zakres ustawiania temperatury to 5 - 20 °C (41 - 68 °F).
- Dotykając symbolu ⊕ lub ⊖ ustaw pożądaną temperaturę w witrynie.
- Pierwszym dotknięciem symbolu ⊕ lub ⊖ przywołasz ustawioną wcześniej temperaturę.
- Dotykając symbolu ⊕ zwiększysz temp. o 1 °C (lub o 1 °F). Dotykając symbolu ⊖ zmniejszysz temperaturę o 1 °C (lub o 1 °F).




## ■ WYBÓR WYŚWIETLANIA STOPNI FAHRENHEITA (°F) I CELSJUSZA (°C)

- Dotknij symboli ⊕ ⊖ 2 palcami równocześnie i przytrzymaj przez 3 sekundy, zmienisz w ten sposób wyświetlanie stopni Fahrenheita i Celsjusza.

## ■ WYBÓR USTAWIONEJ TEMPERATURY I RZECZYWISTEJ TEMPERATURY

- W stanie zablokowanym naciśnij równocześnie symbole ⊕ + ⊖ za pomocą dwóch palców i przytrzymaj przez 5 sekund. Gdy usłyszysz sygnał dźwiękowy dostaniesz się do opcji wyboru.
- Naciskając symbol ⊖ wybierz tryb „01” lub „02” zależnie od potrzeb.
- Jeśli na wyświetlaczu będzie mrugać „01”, oznacza to, że tryb wyświetlania pokazuje rzeczywistą temperaturę.
- Jeśli na wyświetlaczu będzie mrugać „02”, oznacza to, że tryb wyświetlania pokazuje ustawioną temperaturę.
- Zostaw wyświetlacz mrugający przez 5 sekund z sygnałem dźwiękowym, aby potwierdzić ustawienia.

## ■ WYBÓR TRYBU OSZCZĘDZANIA ENERGII

- Ustawienie trybu wyświetlania na wyświetlaczu: Jeśli system jest w stanie blokady, przytrzymaj wciśnięty symbol  przez 3 sekundy a zabrzmi sygnał dźwiękowy. Zaświeci się wskaźnik LED, co sygnalizuje, że system przełączył się do trybu wyłączonego wyświetlacza. W taki sam sposób wskaźnik LED zostanie zgaszony z sygnałem dźwiękowym, gdy system będzie przełączony do trybu stale włączonego wyświetlacza.
- Gdy dotkniesz przycisku zasilania  w trybie wyłączonego wyświetlacza, podświetlenie przycisków i wyświetlacz cyfrowy zgaśnie.
- Gdy dotkniesz przycisku zasilania  w trybie włączonego wyświetlacza, wszystkie podświetlenia przycisków zgasną, wyświetlacz cyfrowy będzie nadal świecić.
- Gdy system jest w trybie wyłączonego wyświetlacza, dotknięcie któregoś z przycisków zaświeci wyświetlacz.

## ■ WSKAŹNIK FUNKCJI



Wskaźnik  
funkcji

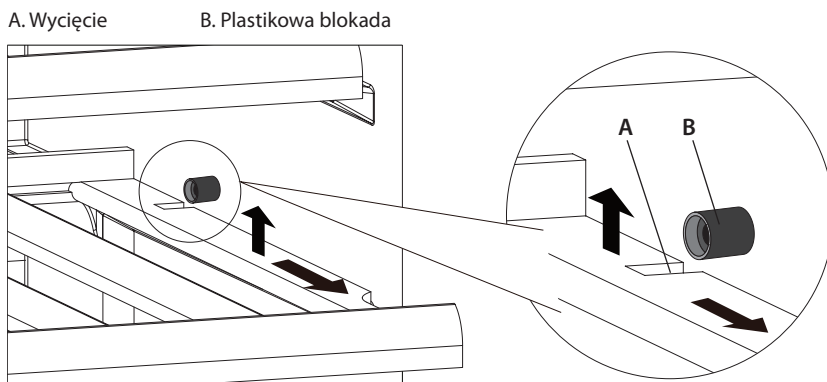
- o Gdy kompresor zacznie pracować, wskaźnik będzie świecił.
- o W innych warunkach wskaźnik się wyłączy.

## ■ CZYSZCZENIE WITRYNY

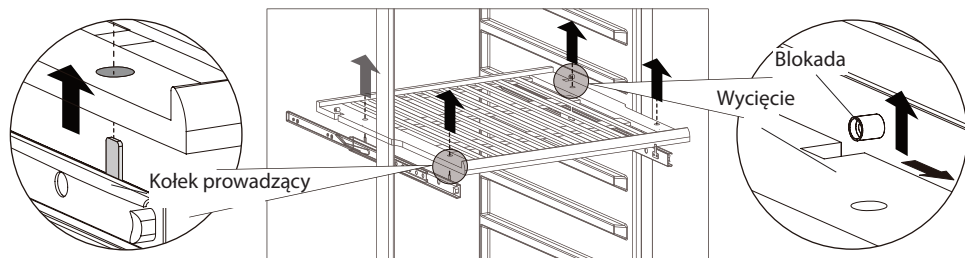
- Wyłącz zasilanie, odłącz urządzenie i wyjmij wszystkie przedmioty łącznie z półkami.
- Powierzchnie wewnętrzne wytrzyj gąbką i roztworem sody. Roztwór powinien zawierać 2 łyżki sody na 1 litr ciepłej wody.
- Półki umyj delikatnym roztworem środka czyszczącego. Przed włożeniem do witryny zostaw drewniane półki do wyschnięcia.
- Przy czyszczeniu okolic elementów sterowania lub części elektrycznych, zawsze wyciśnij nadmiar wody z gąbki lub ściereki.
- Powierzchnię zewnętrzną wytrzyj ciepłą wodą i delikatnym środkiem czyszczącym. Wytrzyj do sucha za pomocą czystej delikatnej ściereki.
- Do stali nierdzewnej nie używaj stalowej szczotki ani druciaka. Doszłoby do podrapania stali nierdzewnej stalowymi częściami, mogłoby dojść również do rdzewienia.

## ■ WYJMOWANIE PÓLEK

- Przed wyjęciem półki z urządzenia niezbędne jest wyjęcie wszystkich butelek wina na danej półce;
- W przypadku modelu z wsuwaną szyną, przesunąć półki do pozycji, w której wycięcie na drewnianej półce jest bezpośrednio pod plastikową blokadą i podnieść drewnianą półkę. Zapewnij ich powrót na miejsce przy wracaniu półki
- Przed włożeniem butelek do witryny upewnij się, czy półki są prawidłowo włożone. Aby sprawdzić, czy półki są prawidłowo włożone, wyciągnij półki całkowicie do pozycji blokady (STOPPER) i dociśnij je kilka razy z powrotem.



- Przy modelu z wsuwaną szyną podnieść całą półkę poziomo do góry, aby oddzielić ją od 4 kołków prowadzących wsuwanej szyny.

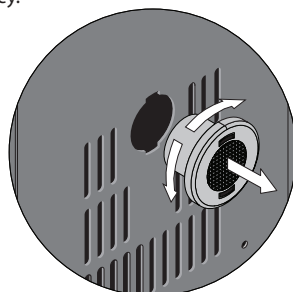


## ■ WYMIANA FILTRA WĘGLOWEGO (OPCJA DODATKOWA)

Dla dojrzwania wina ważna jest dobra jakość okolicznego powietrza. Filtr węglowy jest bardzo użyteczny, ponieważ wchłania zapach i poprawia jakość powietrza. W przypadku modeli z filtrem węglowym polecamy, aby jeden raz w roku wymienić ten filtr. Filtr zamówisz u swojego sprzedawcy.

Wyjmowanie filtra węglowego:

- o Złap filtr węglowy i obróć go o 90° w lewo lub w prawo, aby go wyjąć;
- o Ponowne włożenie filtra węglowego:
- o Złap filtr węglowy i obróć go o 90° w lewo lub w prawo tak, aby zapadł do odpowiedniej pozycji.



## ■ ODMRAŻANIE

- o Odmrażanie przebiega wewnątrz witryny podczas jej pracy, automatycznie. Woda z rozmrażania jest zatrzymywana w misce odparowującej i automatycznie odparowywana.
- o Miskę odparowującą i otwór wypuszczenia wody z odmrażania należy regularnie czyścić. Zapobiega to gromadzeniu się wody w dolnej części witryny, zamiast tego wycieka kanałem wypuszczenia wody z odmrażania i otworem wylotowym.
- o Aby wyczyścić otwór wypuszczenia, możesz do niego nalać również małą ilość wody.
- o Należy uważać i zapewnić, aby butelki wina nie dotykały tylnej ściany urządzenia, ponieważ mogłyby to przerwać proces automatycznego odmrażania i skierować wodę do podstawy witryny.

## ■ PRZEMIESZCZANIE WITRYNY

Jeśli potrzebujesz przemieścić witrynę w inne miejsce, postępuj jak poniżej.

- o Usuń z witryny wszystkie przedmioty.
- o Przyklej taśmą wszystkie wolne przedmioty wewnątrz urządzenia, takie jak na przykład półki.
- o Dokręć regulowane nóżki do góry do podstawy, aby zapobiec ich uszkodzeniu.
- o Przyklej taśmą drzwiczki.
- o Zapewnij, aby urządzenie w trakcie przenoszenia znajdowało się w pozycji pionowej. Aby zapobiec uszkodzeniom zewnętrznym, okręć urządzenie kocem lub podobnym materiałem.

## ■ AWARIA PRĄDU

- o Jeśli dojdzie do awarii prądu, urządzenie potrafi przez kilka godzin utrzymywać temperaturę wewnątrz urządzenia. Pod warunkiem, że jest minimalizowana liczba otwierania drzwi.
- o Jeśli awaria jest dłuższa, niż kilka godzin, należy przechować zawartość witryny w innym miejscu, aby nie doszło do zepsucia produktów w wyniku zwiększenia temperatury.

**WAŻNE:** *Jeśli urządzenie jest odłączone od zasilania sieciowego, dojdzie do awarii zasilania lub wyłączysz urządzenie, musisz odczekać przed jego ponownym uruchomieniem 5 minut. Jeśli spróbujesz je ponownie włączyć przed upływem tego czasu, może dojść do uszkodzenia kompresora.*

## ■ WAKACJE

**Krótkie wakacje:** W przypadku wakacji, krótszych niż 3 tygodnie, zostaw witrynę włączoną.

**Długie wakacje:**

- o Jeśli nie będziesz używał urządzenia przez dłuższy czas, należy wyjąć butelki z winem i wyłączyć urządzenie.
- o Przestrzeń wewnętrzną należy wyczyścić za pomocą roztworu sody i ciepłej wody.
- o Przestrzeń wewnętrzną należy później dokładnie wysuszyć.
- o Aby nie doszło do powstawania pleśni, zostaw drzwi lekko uchylone.

## ■ ODŁĄCZENIE ZASILANIA

- o Jeśli urządzenie jest odłączone od zasilania sieciowego lub jeśli dojdzie do awarii zasilania, musisz przed ponownym uruchomieniem urządzenia poczekać 5 minut. Jeśli spróbujesz ponownie uruchomić witrynę przed upływem 5 minut, może dojść do jej awarii.



## ROZWIĄZANIE PROBLEMÓW

Jeśli wydaje ci się, że urządzenie nie działa poprawnie, spróbuj zanim zadzwonisz do serwisu, za pomocą następujących wskazówek spróbować rozwiązać problem samodzielnie.

No.	PROBLEM	MOŻLIWA PRZYCZYNA PROBLEMÓW/ŚRODKI OSTROŻNOŚCI
1	Witryna nie działa.	Urządzenie nie jest podłączone do sieci. Urządzenie jest wyłączone. Aktywował się wyłącznik prądu lub wypalił się bezpiecznik.
2	Chłodziarka do wina nie jest wystarczająco zimna.	Sprawdź ustawienie temperatury. Temperatura otoczenia może wymagać wyższych ustawień. Drzwi są często otwierane. Drzwi nie są całkiem zamknięte. Uszczelka drzwi nie uszczelnia dobrze.
3	Częste automatyczne włączanie i wyłączanie.	Temperatura w pomieszczeniu jest wyższa, niż zazwyczaj. Do witryny dodano dużą ilość butelek. Drzwi są często otwierane. Drzwi nie są całkiem zamknięte. Regulator temperatury nie jest prawidłowo ustawiony. Uszczelka drzwi nie uszczelnia dobrze.
4	Nie działa oświetlenie.	Urządzenie nie jest podłączone do sieci. Aktywował się wyłącznik prądu lub wypalił się bezpiecznik. Oświetlenie jest wyłączone. Skontaktuj się z centrum serwisowym w celu naprawy i wymiany.
5	Bardzo duże wibracje.	Sprawdź, czy urządzenie jest wypoziomowane. Sprawdź, czy żadne części wewnątrz szafy lub w komorze sprężarki nie są luźne.
6	Witryna wydaje się być bardzo głośna.	Grzechotanie może być spowodowane przepływem chłodziwa. Jest to normalne zjawisko. Na końcu każdego cyklu usłyszysz bulgoczący dźwięk, który jest spowodowany przepływem chłodziwa. Ściąganie i rozszerzanie się ścian wewnętrznych może powodować dźwięk pęknięcia lub stukania. Urządzenie nie jest wypoziomowane.
7	Drzwi nie zamykają się prawidłowo.	Witryna nie jest wyrównana. Zmiana kierunku otwierania drzwi została wykonana nieprawidłowo. Uszczelka jest zanieczyszczona. Półki są umieszczone nieprawidłowo.
8	Na wyświetlaczu pokazuje się „HH” lub „LL” zamiast cyfr, i/lub odzywa się nieprzerwany sygnał dźwiękowy.	Awaria czujnika temperatury.

# ZMIANA KIERUNKU OTWIERANIA DRZWI


## Wskazówki:

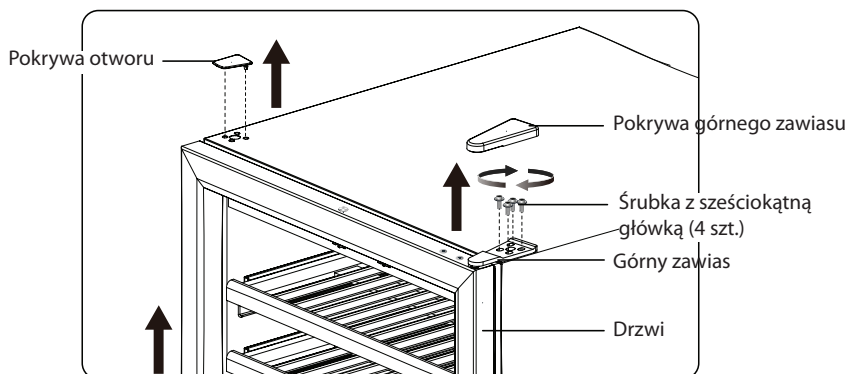
- Następujące operacje są do dyspozycji tylko dla modelu z elementami sterowania wewnątrz oraz z zainstalowanym prawym zawiasem drzwi.
- Wszystkie wyjęte elementy polecamy zachować na wypadek ponownej zmiany kierunku otwierania drzwi.

## ■ ELEMENTY STEROWANIA WEWNĄTRZ

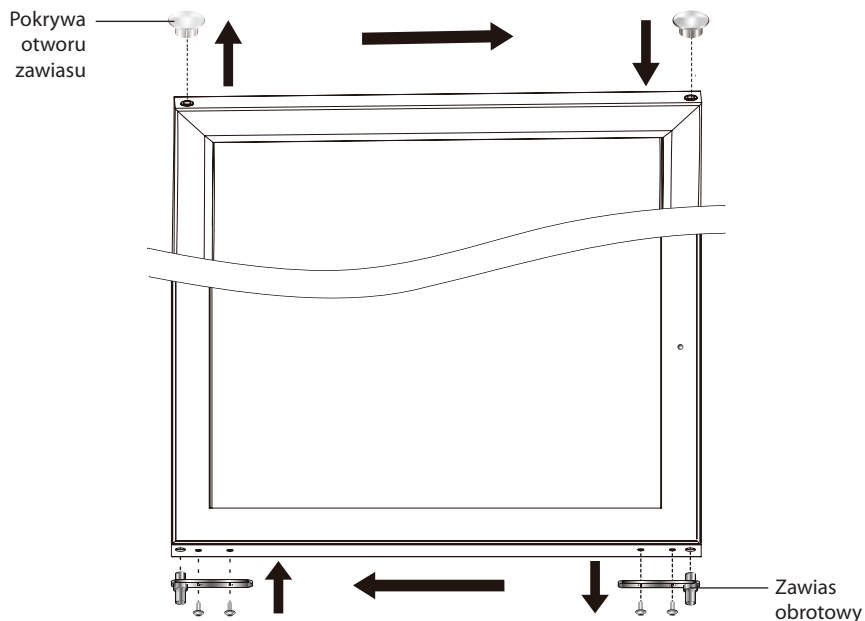
### WAŻNA INFORMACJA

Polecamy przymocować półki na miejscu za pomocą taśmy, aby podczas manipulacji urządzeniem nie doszło do uszkodzenia, a wszystkie wyjęte części starannie przechować.

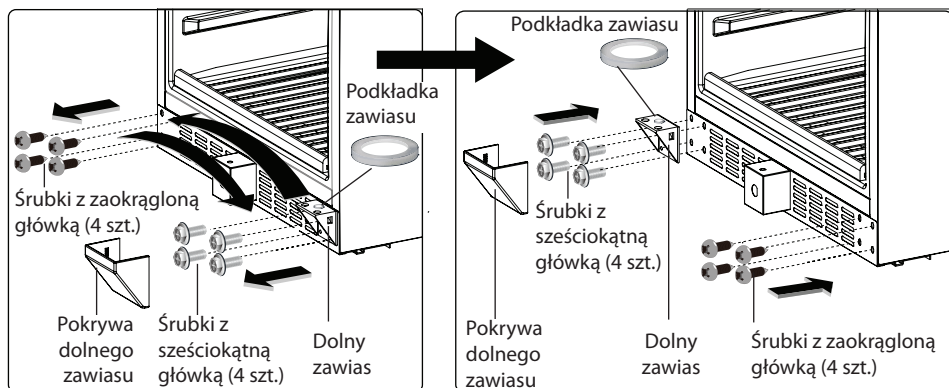
1. Za pomocą płaskiego śrubokręta wyjmij pokrywę otworu oraz pokrywę górnego zawiasu na górnej stronie. Zdejmij górny zawias odkręcając śrubki z sześciokątnymi główkami (4 szt.). Następnie razem z pomocnikiem ostrożnie podnieś drzwi z dolnego zawiasu i ostrożnie odłóż je na bok. Dla ponownej instalacji ważne jest, aby podkładka zawiasu  została w górnej części dolnego zawiasu.



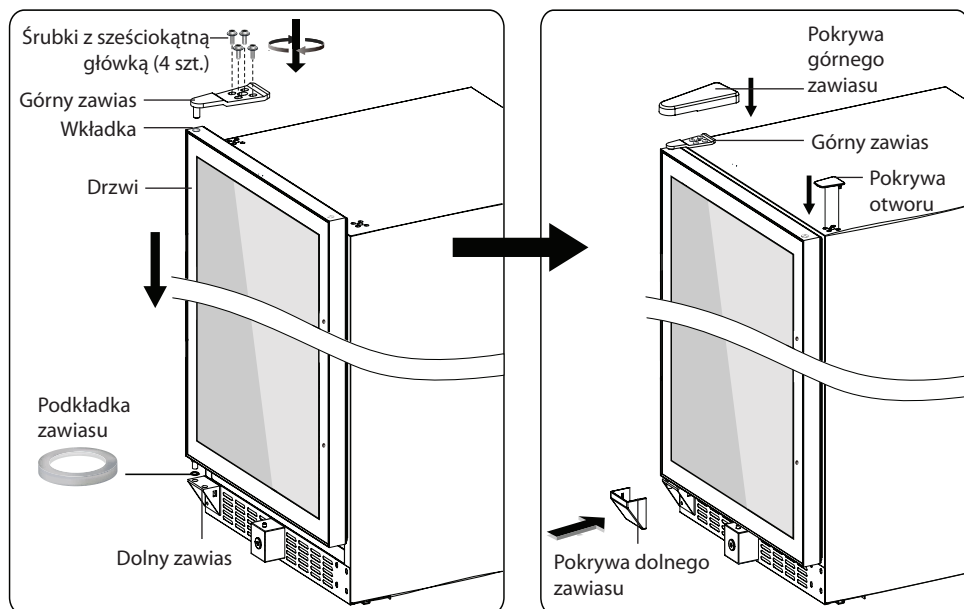
2. Przesuń pokrywę zawiasu (w górnej części drzwi) z lewej strony na prawą. Przesuń zawias obrotowy (w dolnej części drzwi) z prawej strony na lewą.



- 3.** Zdejmij pokrywę dolnego zawiasu ostrożnie podważając ją małym płaskim śrubokrętem. Zdejmij dolny zawias odkręcając śrubki z sześciokątną główką (4 szt.). Odkręć z lewej dolnej strony śrubki z walcową zaokrągloną główką (4 szt.). Teraz przesuń dolny zawias na lewą dolną stronę i mocno go dokręć za pomocą śrubek z sześciokątną główką (4 szt.). Przenieś śrubki z walcową zaokrągloną główką (4 szt.) na prawą dolną stronę i dokręć je.



4. Przytrzymaj, wraz z pomocnikiem, mocno drzwiczki i umieść je na górnej części dolnego zawiasu; upewnij się, czy zawias obrotowy jest na odpowiednim miejscu w stosunku do podkładki zawiasu. Włóż kołek górnego zawiasu do wkładki na prawej górnej stronie i przymocuj go za pomocą śrubek z sześciokątną główką (4 szt.). Przykryj górny zawias i dolny zawias pokrywą górnego i dolnego zawiasu. Przykryj otwory na śrubki zawiasu na prawej górnej stronie za pomocą pokrywy otworu.



## Arkusz informacyjny

PHILCO 

DELEGOWANE ROZPORZĄDZENIE KOMISJI (UE) 2019/2016

**Nazwa lub znak producenta:** PHILCO

**Adres producenta:** PHILCO, FAST ČR, a.s. U Sanitasu 1621 Říčany 251 01, Czech Republic

**Znak identyfikacyjny modelu:** PW 143 GLV

**Rodzaj sprzętu chłodniczego:** Chłodziarka do wina

Urządzenie z niskim poziomem hałasu	Nie	Rodzaj urządzenia	wolnostojący
Urządzenie do przechowywania wina	Tak	Inne urządzenia chłodnicze	Nie

### Podstawowe specyfikacje

Parametr	Wartość	Parametr	Wartość	
Rozmiary w mm	Wysokość	Całkowita objętość (dm <sup>3</sup> lub l)	472	
	Szerokość			655
	Głębokość			680
Wskaźnik efektywności energetycznej (EEI)	144	Klasa efektywności energetycznej*	G	
Akustyczny dźwięk emisji hałasu (dB(A) re 1 pW)	40	Klasa emisji hałasu akustycznego	C	
Roczne zużycie energii (kWh/rok)	162,0	Klasa klimatyczna:	N, ST	
Minimalna temperatura otoczenia (°C), dla której odpowiedni jest układ chłodzenia	16	Maksymalna temperatura otoczenia (°C), dla której odpowiedni jest układ chłodzenia	38	
Nastawienie urządzenia na zimę	Nie			

### Specyfikacja przestrzeni

Rodzaj przestrzeni		Parametry i wartość przestrzeni chłodzącej			
		Objętość urządzenia (dm <sup>3</sup> lub l)	Zalecane ustawienie temperatury dla optymalnego przechowywania żywności (°C)	Zdolność zamrażania (kg/24h)	Rodzaj rozmrażania (automatyczne rozmrażanie = A ręczne rozmrażanie = M)
Spizarnia	Nie	-	-	-	-
Przechowywanie wina	Tak	472,0	-	-	A
Piwnica	Nie	-	-	-	-
Świeża żywność	Nie	-	-	-	-
Komora zamrażarki	Nie	-	-	-	-

0 – gwiazdek lub kostka do lodu	Nie	-	-	-	-
1-gwiazdka	Nie	-	-	-	-
2-gwiazdki	Nie	-	-	-	-
3-gwiazdki	Nie	-	-	-	-
4-gwiazdki	Nie	-	-	-	-
2-gwiazdkowa przestrzeń	Nie	-	-	-	-
Szuflada ze zmienną temperaturą	Nie	-	-	-	-
<b>Parametry źródła światła:</b>					
Rodzaj źródła światła			LED		
Klasa efektywności energetycznej			G		
<b>Minimalny okres gwarancji oferowany przez producenta:</b> 24 miesiące					
<b>Dodatkowe informacje:</b>					
<b>Link do strony internetowej producenta, na której są informacje o których mowa w pkt.4 lit. a) załącznika do rozporządzenia Komisji (UE) 2019/2022, można znaleźć na stronie:</b> <a href="http://www.philco.cz">www.philco.cz</a>					

\* A (najwyższa wydajność) do G (najniższa wydajność)

## INFORMACJE TECHNICZNE

Informacje techniczne można znaleźć na tabliczce znamionowej wewnątrz urządzenia oraz na etykiecie energetycznej. Kod QR na dostarczonej etykiecie energetycznej zawiera link do rejestracji urządzenia w unijnej bazie danych Eprei.

## INFORMACJE O TESTACH

Dostarczone urządzenie jest zgodne z EcoDesign i EN62552-1/-2/-3:2020, EN60704-1:2010+A11:2012, EN60704-2-14:2013+A11:2015+A12019. Wymagania dotyczące dostępu powietrza do prawidłowego działania urządzenia, minimalna odległość od ściany oraz wymiary urządzenia są częścią niniejszej instrukcji. W przypadku dalszych pytań prosimy o kontakt z producentem.

## OBSŁUGA I OBSŁUGA KLIENTA

Zawsze używaj oryginalnych części zamiennych.

Oznakowanie modelu i numer serii znajdziesz na tablicy znamionowej. Pozycję tablicy znamionowej można zmienić bez uprzedniego ostrzeżenia. Oryginalne części zamienne dla niektórych konkretnych komponentów są do dyspozycji min. 7 lub 10 lat. Jest to zależne od typu komponentu oraz od wprowadzenia ostatniego urządzenia danego modelu na rynek.

Kontaktując się z naszym autoryzowanym serwisem, należy mieć dostępne oznaczenie modelu, numer seryjny i opis wady.

Aby pobrać dokumenty, odwiedź [www.philco.pl](http://www.philco.pl).

Aby zgłosić usterkę i uzyskać dodatkowe informacje serwisowe, odwiedź [www.philco.pl/sposoby-zglaszania-reklamacji-gwarancyjnej](http://www.philco.pl/sposoby-zglaszania-reklamacji-gwarancyjnej).

Zastrzega się możliwość zmian bez powiadomienia.

## WSKAZÓWKI O INFORMACJE DOTYCZĄCE LIKWIDACJI ZUŻYTYCH OPAKOWAŃ

Materiały z opakowań zlikwiduj w publicznym punkcie likwidacji odpadów.

## LIKWIDACJA ZUŻYTYCH URZĄDZEŃ ELEKTRYCZNYCH I ELEKTRONICZNYCH



Znaczenie symbolu na produkcie, jego akcesoriach lub opakowaniu oznacza, że z tym produktem nie wolno obchodzić się, jak ze zwykłym odpadem komunalnym. Zlikwiduj ten produkt w odpowiednim punkcie zbiórki i recyklingu odpadów z urządzeń elektrycznych i elektronicznych. Ewentualnie w niektórych państwach Unii Europejskiej lub innych państwach europejskich jest możliwy zwrot produktu lokalnemu sprzedawcy, w przypadku zakupu podobnego nowego produktu. Odpowiednia likwidacja tego produktu pomoże oszczędzić cenne źródła naturalne i pomoże w prewencji ewentualnego negatywnego wpływu na środowisko i zdrowie ludzkie, do którego mogłoby dojść w wyniku niewłaściwej likwidacji odpadów. Szczegółowe informacje uzyskasz od lokalnego urzędu lub w najbliższym centrum zbiórki odpadów. Niewłaściwa likwidacja tego typu odpadu może podlegać wewnątrzpaństwowym przepisom o mandatach.

### Informacja dla firm w Unii Europejskiej

Jeśli chcesz zlikwidować urządzenie elektryczne lub elektroniczne, poproś o potrzebne informacje swojego sprzedawcę lub dostawcę.

### Likwidacja w innych państwach poza Unią Europejską

Jeśli chcesz zlikwidować ten produkt, poproś o niezbędne informacje o odpowiednim sposobie likwidacji w miejscowym urzędzie lub u swojego sprzedawcy.



Ten produkt spełnia wszystkie podstawowe wymagania rozporządzenia UE, które się do niego stosują.

Zmiany w tekście, dizajnie i danych technicznych mogą się pojawić bez uprzedniego ostrzeżenia i zastrzegamy sobie prawo do wykonania tychże zmian.

Oryginał niniejszej instrukcji obsługi jest w języku czeskim.



**OSTRZEŻENIE!** PODCZAS UŻYWANIA, SERWISOWANIA ORAZ LIKWIDACJI ZWRÓĆ UWAGĘ NA SYMBOL PODOBNY DO TEGO PO LEWEJ STRONIE, KTÓRY JEST UMIESZCZONY NA TYLNEJ STRONIE URZĄDZENIA (TYLNY PANEL LUB KOMPRESOR) O ŻÓŁTYM LUB POMARAŃCZOWYM KOLORZE. JEST TO SYMBOL OSTRZEGAWCZY O RYZYKU POŻARU. SĄ TU MATERIAŁY PALNE RUR I KOMPRESOR. BĄDŹ Z DALA OD ŹRÓDEŁ OGNI A PODCZAS UŻYWANIA, OBSŁUGI URZĄDZENIA I LIKWIDACJI.







Výrobce/Manufacturer:  
Fast ČR, a.s.  
U Sanitasy 1621  
Říčany 251 01, CZECH REPUBLIC

Distributor:  
FAST PLUS, a.s.  
Na pántoch 18  
831 06 Bratislava, SLOVAKIA

Distributor:  
FAST POLAND Sp. z o. o.  
Kwiatniowa 36  
05-090 Wypędy, POLAND

**PHILCO**<sup>®</sup> 

**is a pending or registered trademark of Electrolux Home Products, Inc. and used under a license from Electrolux Home Products, Inc.**