



Refrigerator

Instruction of use

Frigorífico

Instrucciones para el uso

Frigorífico

Instruções de utilização

Chłodziarka

Instrukcja obsługi

Chladnička

Pokyny pro používání

Chladnička

Návod na použitie

Hladnjak

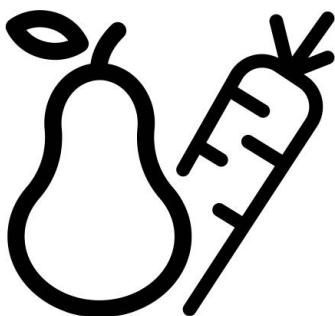
Upute za uporabu

Hűtőszekrén

Használati útmutató

Ψυγείο

Οδηγίες χρήστη



RSSA290M31WN

EN-ES-PT-PL-CZ-SK-HR-HU-EL



WARNING!

In order to ensure a normal operation of your refrigerating appliance, which uses a completely environmentally friendly refrigerant the R 600a (flammable only under certain conditions) you must observe the following rules:

- ◆ Do not hinder the free circulation of the air around the appliance.
- ◆ Do not use mechanic devices in order to accelerate the defrosting, others than the ones recommended by the manufacturer.
- ◆ Do not destroy the refrigerating circuit.
- ◆ Do not use electric appliances inside the food keeping compartment, other than those that might have been recommended by the manufacturer.

ADVERTENCIA !

Para asegurarse del funcionamiento normal de vuestro refrigerador, conteniendo le refrigerante R600a que contribuye a la protección del ámbito (inflamable sólo en ciertas condiciones), le conviene a respetar las reglas siguientes :

- ◆ No impide la circulación del aire alrededor del aparato.
- ◆ No utilice utensilios mecánicos o otros dispositivos para acelerar el proceso de descongelación otros de los recomendados por el fabricante.
- ◆ No cause daño al circuito refrigerante.
- ◆ No utilice aparatos eléctricos en el interior de los compartimentos de la conservación de los alimentos, si estos no están conformes con el tipo de aparato recomendado por el fabricante.

AVISO!

Afim de assegurar um funcionamento normal do seu aparelho de refrigeração que utiliza um refrigerador, o R600a, completamente amigo do ambiente (inflamável apenas sob certas condições), deve observar as seguintes normas:

- ◆ Não obstrua a livre circulação do ar ao redor do aparelho.
- ◆ Não utilize dispositivos mecânicos que não os recomendados pelo fabricante para acelerar o descongelamento.
- ◆ Não destrua o circuito de refrigeração.
- ◆ Não utilize aparelhos eléctricos que não aqueles que devem ter sido recomendados pelo fabricante dentro do compartimento para guardar comida.

UWAGA!

Aby zapewnić prawidłową pracę twojej chłodziarki używającej przyjaznego dla środowiska czynnika chłodzącego R600a (palny tylko w pewnych warunkach), musisz przestrzegać następujących zasad:

- ◆ Nie utrudniaj swobodnej cyrkulacji powietrza wokół urządzenia
- ◆ Nie używaj urządzeń mechanicznych w celu przyspieszenia rozmrażania innych niż zalecane przez producenta
- ◆ Nie niszczyć układu chłodzącego
- ◆ Nie używaj żadnych urządzeń elektrycznych w komorze przeznaczonej na jedzenie, z wyjątkiem zalecanych przez producenta.

UPOZORNĚNÍ!

Aby byl zajištěn normální provoz vaší chladničky, která používá pro životní prostředí zcela neškodné chladicí médium R600a (vznětlivé), musíte dodržet následující pravidla:

- ◆ Nebraňte ve volné cirkulaci vzduchu kolem přístroje.
- ◆ Nepoužívejte mechanická zařízení pro zrychlení odmražení kromě těch, která jsou doporučena výrobcem.
- ◆ Nelikvidujte chladicí okruh.
- ◆ Nepoužívejte elektrické spotřebiče uvnitř prostoru pro potraviny kromě těch, která by mohl doporučit výrobce.



VÝSTRAHA!

Na zabezpečenie normálnej prevádzky chladničky, ktorá používa úplne ekologicky bezpečné chladivo R 600a (horľavé len pri určitých podmienkach), musíte dodržiavať tieto pravidlá:

- ♦ Nebráňte voľnej cirkulácii vzduchu okolo spotrebiča.
- ♦ Nepoužívajte mechanické prístroje na urýchľovanie rozmrazovacieho procesu iné, ako odporúča výrobca.
- ♦ Nepoškodte chladiaci okruh.
- ♦ Vo vnútri signalizačného priečinka na potraviny nepoužívajte iné elektrické spotrebiče ako tie, ktoré odporúča výrobca.

UPOZORENJE!

Kako biste obezbijedili normalan rad vašeg frižidera koji koristi u potpunosti ekološki prihvatljivo sredstvo za hlađenje R 600a (zapaljiv je pod određenim uslovima) morate poštovati slijedeća pravila:

- ♦ Nemojte zatvarati slobodnu cirkulaciju zraka oko uređaja.
- ♦ Nemojte koristiti mehaničke uređaje kako biste ubrzali odleđivanja frižidera., osim onih koje je preporučio proizvođač.
- ♦ Nemojte uništavati kolo za hlađenje.
- ♦ Nemojte koristiti električne uređaje unutar spremnika za čuvanje hrane osim onih koje preporučuje proizvođač.

FIGYELMEZTETÉS!

Az R600a (gyúlékony) teljesen környezetbarát hűtőgázzal működő hűtőberendezés normál üzemeltetése érdekében kövesse a következő szabályokat:

- ♦ Ne akadályozza meg a levegő keringését a készülék körül!
- ♦ Ne használjon más mechanikus eszközöket a gyorsabb felolvasztás érdekében, mint amit a gyártó ajánl!
- ♦ Ne károsítsa a hűtőközeg keringési rendszerét!
- ♦ Ne használjon más elektromos eszközöket a hűtőgép ételtároló részében, mint amiket a gyártó javasol!

ΠΡΟΕΙΔΟΠΟΙΗΣΗ!

Για να εξασφαλίσετε κανονική λειτουργία της ψυκτικής σας συσκευής, η οποία χρησιμοποιεί ένα πλήρως φιλικό προς το περιβάλλον ψυκτικό μέσο το R600a (εύφλεκτο μόνο υπό ορισμένες συνθήκες), πρέπει να τηρείτε τους ακόλουθους κανόνες:

- ♦ Μην εμποδίζετε την ελεύθερη κυκλοφορία του αέρα γύρω από τη συσκευή.
- ♦ Μη χρησιμοποιείτε μηχανικές διατάξεις για να επιταχύνετε την απόψυξη, εκτός από τα μέσα που συνιστά ο κατασκευαστής.
- ♦ Μην προκαλέσετε ζημιά στο ψυκτικό κύκλωμα.
- ♦ Μη χρησιμοποιείτε ηλεκτρικές συσκευές μέσα στο χώρο χώρους φύλαξης φαγητού, εκτός από αυτές που ενδεχομένως έχει συστήσει ο κατασκευαστής.

EN Index

Safety first /1
Electrical requirements /2
Transportation instructions /2
Installation instructions /2
Getting to know your appliance /3
Suggested arrangement of food in the larder fridge /3
Temperature control and adjustment /4
Before operating /4
Defrosting /4
Replacing the interior light bulb /4
Repositioning the door /4
Cleaning and care /4
Do's and don'ts /5
Information about operating noises /6
Troubleshooting /6

ES Índice

La seguridad es lo primero /7
Requisitos eléctricos /8
Instrucciones de transporte /8
Instrucciones de instalación /8
Detalles del electrodoméstico /9
Disposición recomendada de los alimentos en la despensa frigorífica /9
Control y ajuste de la temperatura /10
Antes del funcionamiento /10
Descongelación /11
Sustitución de la bombilla interior /11
Recolocación de la puerta /11
Conservación y limpieza /11
Prácticas correctas e incorrectas /12
Información sobre ruidos del funcionamiento /13
Resolución de problemas /13

PT Índice

Princípios básicos de segurança /14
Requisitos eléctricos /15
Instruções para transporte /15
Instruções de instalação /15
Conheça o seu aparelho /16
Arrumação sugerida para os alimentos no frigorífico /16
Controlo e ajuste da temperatura /17
Antes do funcionamento /17
Descongelação /17
Substituição da lâmpada interior /18
Recolocação das portas /18
Limpeza e cuidados /18
Procedimentos correctos e incorrectos /19
Informações sobre ruídos durante o funcionamento /20
Resolução de problemas /20

PL Spis treści

Przed wszystkim bezpieczeństwo! /21
Jak transportować /22
Pozbywanie się starego urządzenia /22
Ustawienie urządzenia /22
Połączenia elektryczne /23
Poznaj swoje urządzenie /23
Przed uruchomieniem /23
Ustawienie temperatury pracy /23
Chłodzenie /23
Rozmrożenie chłodziarki /24
Wymiana żarówki wewnętrznooświetlenia /24
Czyszczenie i konserwacja /24
Przekładanie drzwi /25
Porady praktyczne /25
Przykłady użytkowania /25
Normalne odgłosy pracy /26
Gwarancja jakości /27

CZ Rejstřík

Bezpečnost především /28
Elektrické požadavky /29
Pokyny pro transport /29
Pokyny pro instalaci /29
Seznámení s vaším spotřebičem /30
Doporučené rozložení potravin ve spotřebiči /30
Kontrola a nastavení teploty /30
Před spuštěním /31
Odmrazování /31
Výměna vnitřní žárovky /31
Změna pozice dvířek /31
Čištění a péče /31
Co dělat a co nedělat /32
Informace o provozních hlucích /33
Odstraňování potíží /33

SK Obsah

Bezpečnosť nadovšetko /34
Elektrické požiadavky /35
Prepravné pokyny /35
Pokyny na inštaláciu /35
Spoznajte spotrebič /36
Navrhované rozmiestnenie potravín v chladničke /36
Regulácia a nastavenie teploty /36
Pred uvedením do prevádzky /37
Odmrazovanie /37
Výmena žiarovky vnútorného osvetlenia /37
Premiestnenie dverí /37
Čistenie a údržba /37
Čo sa má a čo sa nesmie robiť /38
Informácie o prevádzkovom hluku /39
Riešenie problémov /39

HR Sadržaj

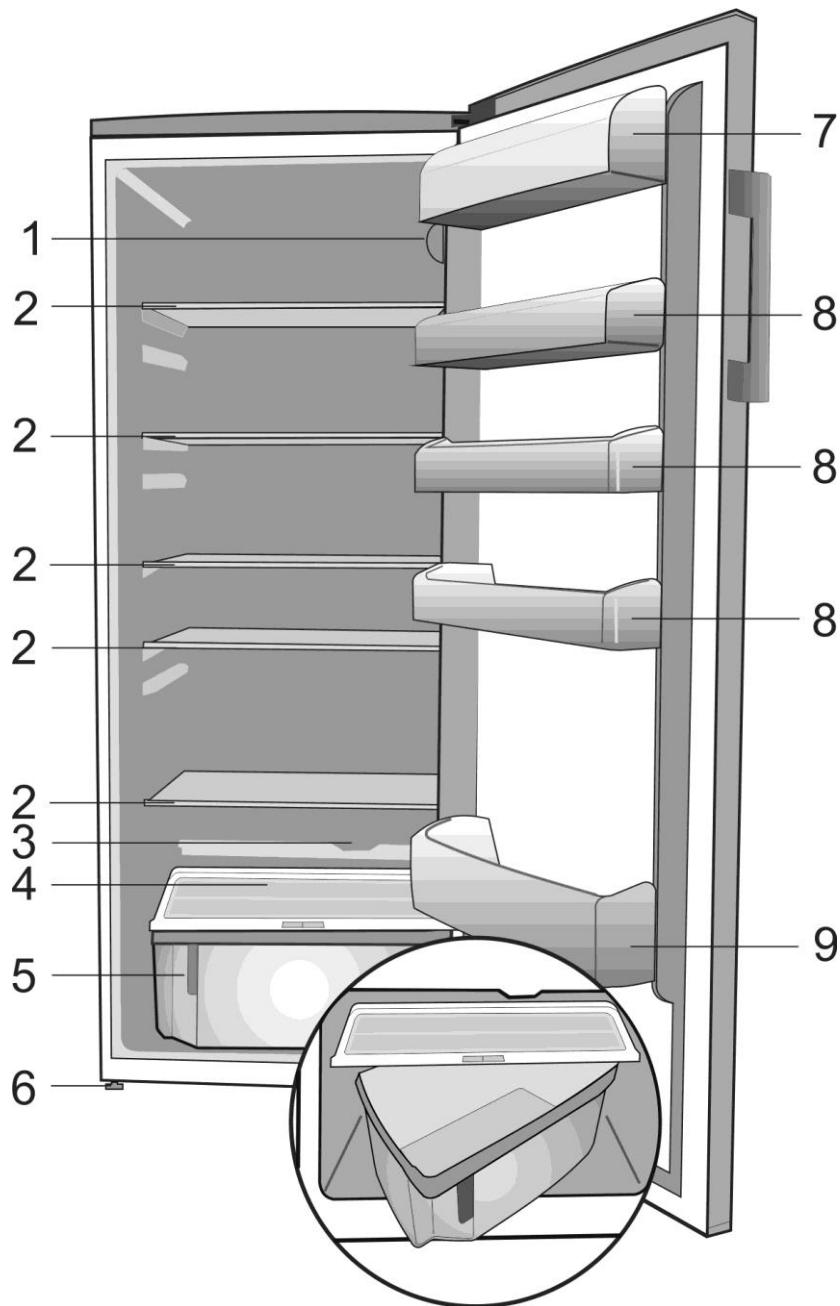
Prvo sigurnost /40
Električni zahtjevi /41
Upute za prijevoz /41
Upute za ugradnju /41
Upoznavanje s Vašim uređajem /42
Predloženo slaganje hrane u hladnjaku za ostavu /42
Kontrola i prilagođavanje temperature /42
Prije rada /43
Odmrzavanje /43
Zamjena unutarnje žarulje /43
Prebacivanje vrata /43
Čišćenje i održavanje /43
Što se smije a što se ne smije /44
Informacije o buci za vrijeme rada /45
Rješavanje problema /45

HU Tartalomjegyzék

Első a biztonság /46
Elektromos követelmények /47
Szállítási utasítások /47
Beüzemelési utasítások /47
Ismerje meg készülékét /48
A hűtőszekrényben lévő étel javasolt elrendezése /48
Hőmérsékletszabályozás és -beállítás /48
Működtetés előtt /49
Kiolvasztás /49
Belső villanykörte cseréje /49
Ajtó áthelyezése /49
Tisztítás és ápolás /50
Kötelező és tilos dolgok /50
Információ az üzemeltetési zajokról /51
Problémakeresés /51

EL Περιεχόμενα

Η ασφάλεια προηγείται! /52
Απαιτήσεις παροχής ρεύματος /53
Οδηγίες μεταφοράς /53
Οδηγίες εγκατάστασης /53
Γνωρίστε τη συσκευή σας /54
Συνιστώμενη τακτοποίηση των τροφίμων στο ψυγείο /54
Έλεγχος και ρύθμιση θερμοκρασίας /55
Πριν τεθεί η συσκευή σε λειτουργία /55
Απόψυξη /55
Αντικατάσταση της εσωτερικής λάμπας /56
Αλλαγή θέσης της πόρτας /56
Καθαρισμός και φροντίδα /56
Τι πρέπει και τι δεν πρέπει να κάνετε /57
Πληροφορίες για τους θορύβους λειτουργίας /58
Αντιμετώπιση προβλημάτων /58



1

i Figures that take place in this instruction manual are schematic and may not correspond exactly with your product. If the subject parts are not included in the product you have purchased, then it is valid for other models.

i Las ilustraciones incluidas en el presente manual de instrucciones son esquemáticas y puede que no se adecúen a su aparato con exactitud. Si alguno de los elementos reflejados no se corresponde con el aparato que usted ha adquirido, entonces será válido para otros modelos.

i As figuras que aparecem neste manual de instruções são esquemáticas e podem não corresponder exactamente ao seu produto. Se as partes referidas não estiverem incluídas no produto que adquiriu, é porque são válidas para outros modelos.

i Rysunki w niniejszej instrukcji to tylko schematy i nie muszą ściśle odpowiadać Waszemu modelowi chłodziarki. Jeśli pewnych części nie ma w Waszej chłodziarce, to znaczy, że odnoszą się do innych modeli.

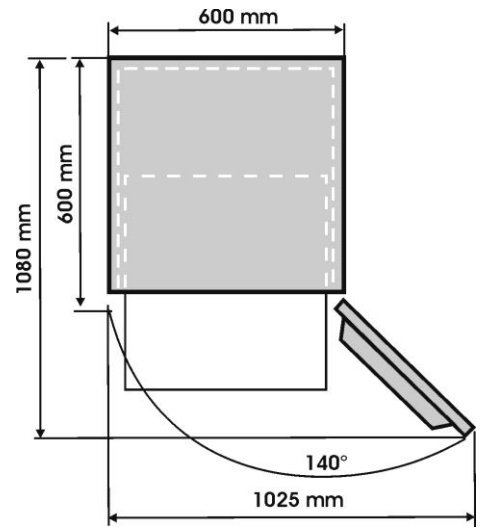
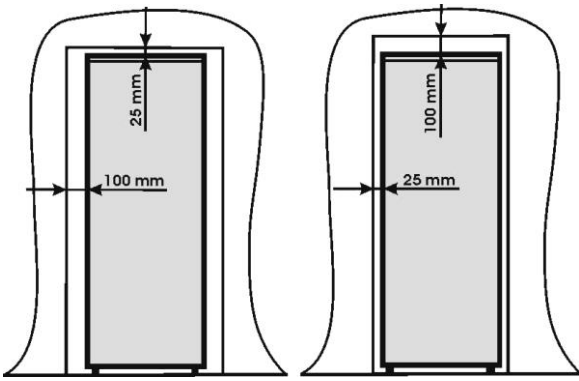
i Obrázky uvedené v tomto návodu k použití jsou schematické a nemusejí přesně korespondovat s vaším výrobkem. Pokud zobrazené části nejsou obsaženy v produktu, který jste zakoupili, jde o součásti jiných modelů.

i Obrázky v tejto príručke k obsluhu sú schematické a nemusia sa presne zhodovať s vaším produktom. Ak produkt, ktorý ste si zakúpili, nedisponuje uvádzanými časťami, potom sa to týka iných modelov.

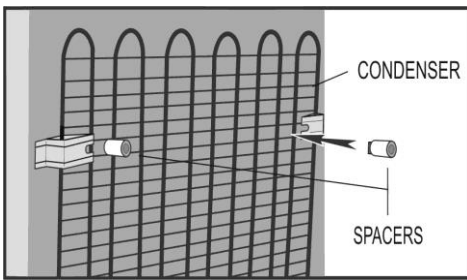
i Slike koje se nalaze u ovom priručniku su shematske i možda se ne ogovaraju u potpunosti vašem proizvodu. Ako dijelovi naslova nisu sadržani u proizvodu koji ste kupili, onda to vrijedi za ostale modele.

i A használati útmutatóban található képek szemléltető jellegűek, nem a valódi terméket ábrázolják. Amennyiben olyan részeket talál, melyek nem találhatók meg, az Ön által megvásárolt termékben, akkor azok más modellekre vonatkoznak.

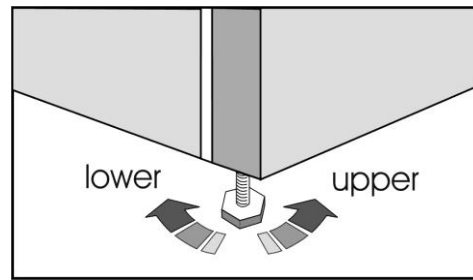
i Οι εικόνες σ' αυτό το εγχειρίδιο οδηγιών είναι σχηματικές και ενδέχεται να μην ανταποκρίνονται ακριβώς στο προϊόν σας. Αν ορισμένα εξαρτήματα δεν περιλαμβάνονται στο προϊόν που έχετε προμηθευτεί, τότε ισχύουν για άλλα μοντέλα.



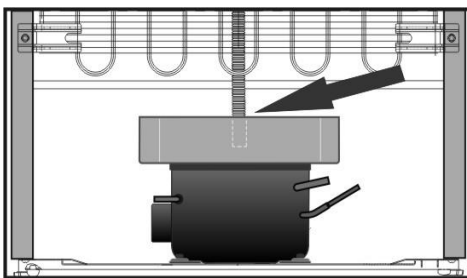
2



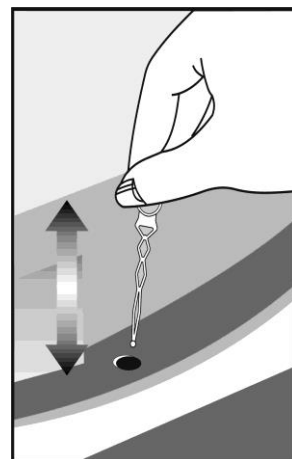
3



4

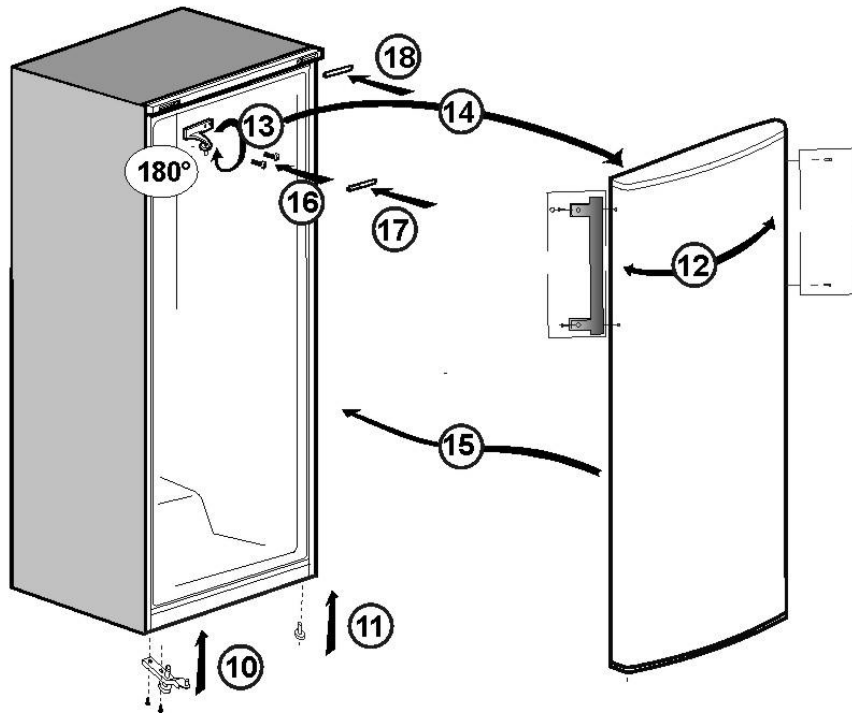
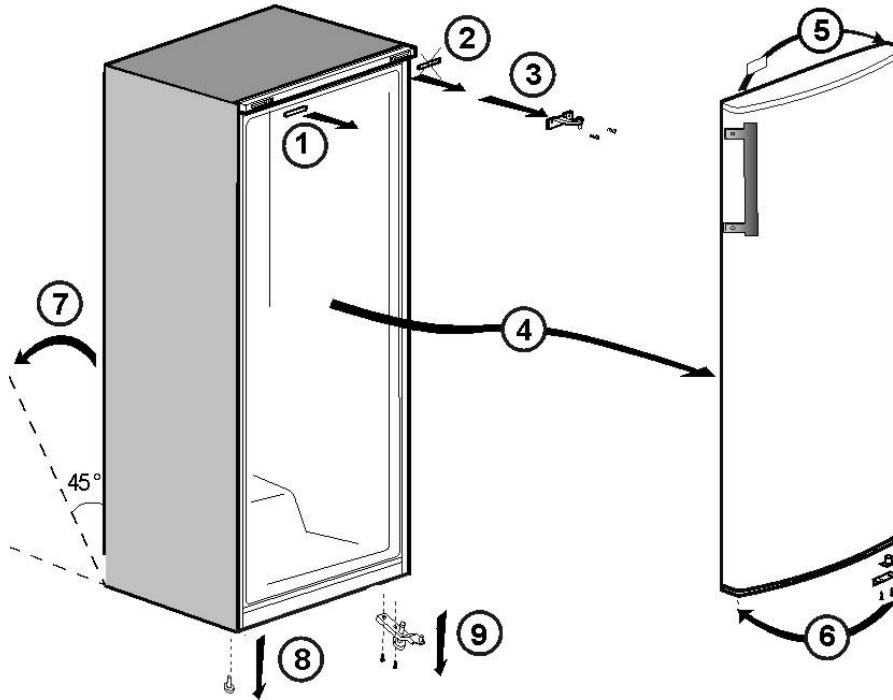
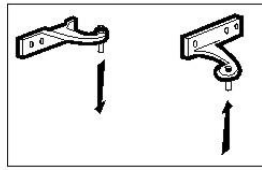


5



6

(13)



Congratulations on your choice of a **BEKO** Quality Appliance, designed to give you many years of service.

Safety first!

Do not connect your appliance to the electricity supply until all packing and transit protectors have been removed.

- Leave to stand for at least 4 hours before switching on, to allow compressor oil to settle.
- If you are discarding an old appliance with a lock or latch fitted to the door, break or disable the lock to ensure that it is left in a safe condition to prevent children becoming trapped inside.
- This appliance must only be used for its intended purpose.
- Do not dispose of the appliance on a fire. Your appliance contains non CFC substances in the insulation which are flammable. We suggest you contact your local authority for information on correct disposal and available facilities.
- We do not recommend use of this appliance in an unheated, cold room. (e.g. garage, conservatory, annex, shed, out-house etc.)

To obtain the best possible performance and trouble free operation from your appliance it is very important to read these instructions carefully. Failure to observe these instructions may invalidate your right to free service during the guarantee period.

Please keep these instructions in a safe place for easy reference.

Original Spare parts will be provided for 10 years, following the product purchasing date.

**This appliance is not intended for use by person with reduced physical, sensory or mental capabilities or lack of experience and knowledge unless they have been given supervision or instruction concerning use of the appliance by a person responsible for their safety.
Children should be supervised to ensure that they do not play with the appliance.**

Electrical requirements

Before inserting the plug into the wall socket make sure that the voltage and the frequency shown in the rating plate inside the appliance corresponds to your electricity supply.

We recommend that this appliance is connected to the mains supply via a suitably switched and fused socket in a readily accessible position.

Warning! This appliance must be earthed.

Repairs to electrical equipment should only be performed by a qualified technician. Incorrect repairs carried out by an unqualified person are carry risks that may have critical consequences for the user of the appliance.

ATTENTION!

This appliance operates with R 600a which is an environmental friendly but flammable gas. During the transportation and fixing of the product, care must be taken not to damage the cooling system. If the cooling system is damaged and there is a gas leak from the system, keep the product away from ignition sources and ventilate the room for a while.

WARNING - Do not use mechanical devices or other means to accelerate the defrosting process, other than those recommended by the manufacturer.

WARNING - Do not damage the refrigerant circuit.

WARNING - Do not use electrical appliances inside the food storage compartments of the appliance, unless they are of the type recommended by the manufacturer. **WARNING** - If the supply cord is damaged, it must be replaced by the manufacturer, its service agent or similarly qualified persons in order to avoid a hazard.

Transportation instructions

1. The appliance should be transported only in an upright position. The packing as supplied must be intact during transportation.

2. The appliance should not be operated for at least 4 hours after installation, to allow the system to settle.

You may also need to allow five minutes between plugging in and switching on the appliance.

3. Failure to comply with the above instructions could result in damage to the appliance, for which the manufacturer will not be held liable.

4. The appliance must be protected against rain, moisture and cold.

Important!

- Care must be taken while cleaning/carrying the appliance not to touch the bottom of the condenser metal wires at the back of the appliance, as this could cause injury to fingers and hands.

- Do not sit or stand on top of your appliance as it is not designed for such use. You could injure yourself or damage the appliance.

WARNING - Make sure that the mains cable is not caught under the appliance during and after moving, as this could damage the cable.

- Do not allow children to play with the appliance or tamper with the controls.

Installation instructions

1. Do not keep your appliance in a room where the temperature is likely to fall below 10 degrees C (50 degrees F) at night and/or especially in winter, as it is designed to operate in ambient temperatures between +10 and +43 degrees C (50 and 109 degrees F). At lower temperatures the appliance may not operate, resulting in a reduction in the storage life of the food.

2. Do not place the appliance near cookers or radiators or in direct sunlight, as this will cause extra strain on the appliance's functions. If installed next to a source of heat or freezer, maintain the following minimum side clearances:

From Cookers 30 mm

From Radiators 300 mm

From Freezers 25 mm

3. Make sure that sufficient room is provided around the appliance to ensure free air circulation (**Item 2**).

- Open the door of your refrigerator to set the distance between the refrigerator and the wall (**Item 3**).

4. The appliance should be positioned on a smooth surface. The two front feet can be adjusted as required. To ensure that your appliance is standing upright adjust the two front feet by turning clockwise or anti-clockwise, until firm contact is secured with the floor. Correct adjustment of feet prevents excessive vibration and noise **(Item 4)**.

5. Refer to "Cleaning and Care" section to prepare your appliance for use.

Getting to know your appliance (Item 1)

- 1 - Thermostat and lamp housing
- 2 - Adjustable Cabinet shelves
- 3 - Water collector
- 4 - Crisper cover
- 5 - Crispers
- 6 - Adjustable foot
- 7 - Dairy Compartment
- 8 - Shelf for jars
- 9 - Shelf for bottles

Suggested arrangement of food in the larder fridge

Guidelines for obtaining optimum storage and hygiene:

1. This appliance for the short-term storage of fresh food and drinks.
2. Dairy products should be stored in the special compartment provided in the door liner.
3. Cooked dishes should be stored in airtight containers and are best kept on either of the removable shelves.
4. Fresh wrapped produce can be kept on the shelf. Fresh fruit and vegetables should be cleaned and stored in the crisper bins.
5. Bottles can be kept in the door section.
6. To store raw meat, wrap in polythene bags and place on the lowest shelf. Do not allow to come into contact with cooked food, to avoid contamination. For safety, only store raw meat for two to three days.
7. For maximum efficiency, the removable shelves should not be covered with paper or other materials to allow free circulation of cool air.

8. The shelves are fitted with rear stops and tilting for storing bottles. Lift shelf clear of grooves when adjusting.

9. To tilt a shelf, place the back of the shelf one level below the front of the shelf. To remove a tilted shelf, first release the back from the one level below the front of the shelf. To remove a tilted shelf, first release the back from the grooves and then pull.

10. Do not keep vegetable oil on door shelves. Keep food packed, wrapped or covered. Allow hot food and beverages to cool before refrigerating. Do not store explosive substances in the refrigerator. High proof alcohol must be stored upright in sealed containers. Leftover canned food should not be stored in the can.

11. Some fruit and vegetables suffer damage if kept at temperatures near 0 degrees centigrade. Therefore wrap pineapples, melon, cucumbers, tomatoes and similar produce in polythene bags.

Temperature control and adjustment

The internal temperature could be adjusted by means of the button from the thermostat. The temperatures obtained inside the appliance could oscillate depending on the usage conditions: location, environmental temperature, doors opening frequency, foods quantity. Position of thermostat button will change depending on these conditions. Generally, for an environmental temperature of 25°C (77°F), thermostat button will be settled on a medium position.

Avoid some positions of thermostat button that could involve a continuously running of the appliance. This could involve a temperature decrease under 0°C, therefore the drinks and fresh foods could freeze and an excessive ice quantity could be accumulated on the internal wall. All these above mentioned could involve a decrease of the refrigerating efficiency (increase of the power consumption).

Before operating

Final Check

Before you start using the appliance check that:

1. The feet have been adjusted for perfect levelling.
2. The interior is dry and air can circulate freely at the rear.
3. The interior is clean as recommended under "Cleaning and care."
4. The plug has been inserted into the wall socket and the electricity is switched on. When the door is open the interior light will come on.

And note that:

5. You will hear a noise as the compressor starts up. The liquid and gases sealed within the refrigeration system may also make some (noise), whether the compressor is running or not. This is quite normal.
6. Slight undulation of the top of the cabinet is quite normal due to the manufacturing process used; it is not a defect.
7. We recommend setting the thermostat knob midway and monitor the temperature to ensure the appliance maintains desired storage temperatures (See section Temperature Control and Adjustment).
8. Do not load the appliance immediately it is switched on. Wait until the correct storage temperature has been reached. We recommend checking the temperature with an accurate thermometer (see; Temperature Control and Adjustment).

Defrosting

The larder refrigerator defrosts automatically. The defrosting water runs to the drain tube via a collection channel and is evaporated in a special container at the back of the appliance. **(Item 5)**.

During defrosting, water droplets may form at the back of the larder refrigerator where a concealed evaporator is located. Some droplets may remain on the liner and refreeze when defrosting is completed. Do not use pointed or sharp-edged objects such as knives or forks to remove the droplets which have refrozen.

If, at any time, the defrost water does not drain from the collection channel, check that no food particles have blocked the drain tube. The drain tube can be cleared by pushing the special plastic plunger provided down the drain tube.

Check that the tube is permanently placed with its end in the collecting tray on the compressor to prevent the water spilling on the electric installation or on the floor **(Item 6)**.

Replacing the interior light bulb

To change the Bulb/LED used for illumination of your refrigerator, call your AuthorisedService.

The lamp(s) used in this appliance is not suitable for household room illumination. The intended purpose of this lamp is to assist the user to place foodstuffs in the refrigerator/freezer in a safe and comfortable way.

The lamps used in this appliance have to withstand extreme physical conditions such as temperatures below -20°C.

Repositioning the door

Proceed in numerical order **(Item 7)**.

Cleaning and care

1. We recommend that you switch off the appliance at the socket outlet and pull out the mains plug before cleaning.
2. Never use any sharp instruments or abrasive substances, soap, household cleaner, detergent or wax polish for cleaning.
3. Use luke warm water to clean the cabinet of the appliance and wipe it dry.
4. Use a damp cloth wrung out in a solution of one teaspoon of bicarbonate of soda to one pint of water to clean the interior and wipe it dry.
5. Make sure that no water enters the temperature control box.
6. If the appliance is not going to be used for a long period of time, switch it off, remove all food, clean it and leave the door ajar.

7. Any dust that gathers on the condenser, which is located at the back of the appliance, should be removed once a year with a vacuum cleaner.

8. Check door seals regularly to ensure they are clean and free from food particles.

9. Never:

- Clean the appliance with unsuitable material; eg petroleum based products.
- Subject it to high temperatures in any way,
- Scour, rub etc., with abrasive material.

10. Removal of dairy cover and door tray :

• To remove the dairy cover, first lift the cover up by about an inch and pull it off from the side where there is an opening on the cover.

• To remove a door tray, remove all the contents and then simply push the door tray upwards from the base.

11. Make sure that the special plastic container at the back of the appliance which collects defrost water is clean at all times. If you want to remove the tray to clean it, follow the instructions below:

- Switch off at the socket outlet and pull out the mains plug
- Gently uncrimp the stud on the compressor, using a pair of pliers, so that the tray can be removed
- Lift it up.
- Clean and wipe it dry
- Reassemble, reversing the sequence and operations.

Do's and don'ts

- Do-** Clean and defrost your appliance regularly.
- Do-** Keep raw meat and poultry below cooked food and dairy products.
- Do-** Keep food for as short a time as possible and adhere to "Best Before" and "Use by" etc. dates.
- Do-** Take off any unusable leaves on vegetables and wipe off any soil.
- Do-** Leave lettuce, cabbage, parsley and cauliflower on the stem.
- Do-** Wrap cheese firstly in greaseproof paper and then in a polythene bag, excluding as much air as possible. For best results, take out of the fridge compartment an hour before eating.

- Do-** Wrap raw meat and poultry loosely in polythene or aluminium foil. This prevents drying.
- Do-** Wrap fish and offal in polythene bags.
- Do-** Wrap food with a strong odour or which may dry out, in polythene bags, or aluminium foil or place in airtight container.
- Do-** Wrap bread well to keep it fresh.
- Do-** Chill white wines, beer, lager and mineral water before serving.

- Don't-** Store bananas in your fridge compartment.
- Don't-** Store melon in your fridge. It can be chilled for short periods as long as it is wrapped to prevent it flavouring other food.
- Don't-** Leave the door open for long periods, as this will make the larder refrigerator. Your larder refrigerator has been designed for the storage of edible foodstuffs only.
- Don't-** Cover the shelves with any protective materials which may obstruct air circulation.
- Don't-** Store poisonous or any dangerous substances in your appliance. It has been designed for the storage of edible foodstuffs only.
- Don't-** Consume food which has been refrigerated for an excessive length of time.
- Don't-** Store cooked and fresh food together in the same container. They should be packaged and stored separately.
- Don't-** Let defrosting food or food juices drip onto food.

Information about operating noises

To keep the selected temperature constant, your appliance occasionally switches ON the compressor.

The resulting noises are quite normal.

As soon as the appliance has reached the operating temperature, the noises automatically reduce in volume.

The humming noise is emitted by the motor (compressor). When the motor switches ON, the noise may briefly increase in volume.

The bubbling, gurgling or whirring noise is emitted by the refrigerant as it flows through the pipes.

The clicking noise can always be heard when the thermostat switches ON/OFF the motor.

A clicking noise may occur when

- the automatic defrosting system is active.
- the appliance is cooling down or warming up (material expansion).

If these noises are excessively loud, the causes are probably not serious and are usually very easy to eliminate.

- The appliance is not level - Use the height-adjustable feet or place packing under the feet.
- The appliance is not free-standing - Please move the appliance away from kitchen units or other appliances.
- Drawers or shelves are loose or stick - Please check the detachable components and, if required, refit them.
- Bottles and/or receptacles are touching each other - Please move bottles and/or receptacles away from each other.

Troubleshooting


If the appliance does not operate when switched on, check;

- That the plug is inserted properly in the socket and that the power supply is on. (To check the power supply to the socket, plug in another appliance)
- Whether the fuse has blown/circuit breaker has tripped/main distribution switch has been turned off.
- That the temperature control has been set correctly.
- That the new plug is wired correctly, if you have changed the fitted, moulded plug.

If the appliance is still not operating at all after above checks, contact the dealer from whom you purchased the unit.

Please ensure that above checks have been done, as a charge will be made if no fault is found.



The symbol  on the product or on packaging indicates that this product may not be treated as household waste. Instead it shall be handed over to the applicable collection point for the recycling of electrical and electronic equipment. By ensuring this product is disposed of correctly, you will help prevent potential negative consequences for the environment and human health, which could otherwise be otherwise be caused by inappropriate waste handling of this product. For more detailed information about recycling of this product, please contact your local city office, you household waste disposal service or the shop where you purchased the product.

Enhorabuena por haber elegido un electrodoméstico de alta calidad de **BEKO**, diseñado para prestar servicio durante muchos años.

La seguridad es lo primero

No conectar el electrodoméstico a la toma de corriente hasta que no se hayan retirado todos los protectores de embalaje y transporte.

- Dejar el aparato en posición vertical al menos 4 horas antes de conectarlo, para que el aceite del compresor se asiente.
- Al deshacerse de un electrodoméstico antiguo con cerradura o pestillo en la puerta, inutilice o rompa el cierre con el fin de impedir que los niños puedan quedar atrapados en el interior.
- Este electrodoméstico solo se debe utilizar para las funciones para las que ha sido diseñado.
- No arrojar el electrodoméstico al fuego. Su aislante contiene sustancias inflamables sin CFC. Es recomendable solicitar a las autoridades locales información adecuada sobre recogida de residuos y centros de reciclaje disponibles.
- No es recomendable la utilización de este dispositivo en lugares fríos no calefactados tales como garajes, invernaderos, cobertizos, cabañas, etc.

Para conseguir un funcionamiento sin averías y el mejor rendimiento posible del electrodoméstico, es muy importante leer cuidadosamente estas instrucciones. El incumplimiento de estas instrucciones puede invalidar el derecho a obtener asistencia gratuita durante el período de garantía.

Conservar estas instrucciones en lugar seguro y donde puedan consultarse fácilmente.

Las piezas de repuesto originales estarán disponibles durante 10 años a partir de la fecha de compra del producto.

Este aparato no ha sido diseñado para que sea usado por personas con capacidad física, sensorial o mental reducida o bien que carezcan de experiencia y conocimientos, a menos que lo hagan bajo supervisión o después de haber recibido instrucciones por parte de personas responsables por su seguridad.

Se debe vigilar a los niños para asegurarse de que no jueguen con este electrodoméstico.

Requisitos eléctricos

Antes de conectar el enchufe a la toma de corriente, se debe comprobar que el voltaje y la frecuencia mostrados en la placa de datos técnicos del interior del electrodoméstico se corresponden con los de la alimentación eléctrica.

Se recomienda conectar este aparato a la red de suministro eléctrico mediante una toma de corriente adecuada, con fusible e interruptor y en una posición de fácil acceso.

Advertencia: Este electrodoméstico debe disponer de toma de tierra.

Las reparaciones de los equipos eléctricos solo deben ser realizadas por técnicos cualificados. Las reparaciones incorrectas realizadas por personal no cualificado comportan riesgos que pueden acarrear graves consecuencias al usuario del aparato.

¡ATENCIÓN!

Este electrodoméstico funciona con R 600a, un gas respetuoso con el medio ambiente pero inflamable. Durante el transporte y la instalación del electrodoméstico, es necesario tener cuidado para no dañar el sistema de refrigeración. Si el sistema de refrigeración sufre algún daño y se produce una fuga de gases del sistema, mantenga el producto alejado de cualquier fuente de ignición y ventile el recinto durante un tiempo adecuado.

ADVERTENCIA: Utilice únicamente los dispositivos mecánicos u otros medios recomendados por el fabricante para acelerar el proceso de deshielo.

ADVERTENCIA: Evitar daños en el circuito de refrigeración.

ADVERTENCIA - No utilice aparatos eléctricos dentro de los compartimentos para alimentos del electrodoméstico, a menos que sean del tipo recomendado por el fabricante.

ADVERTENCIA: Si el cable de alimentación estuviera dañado, solicite su sustitución al fabricante, el servicio de atención al cliente o una persona cualificada para evitar peligros.

Instrucciones de transporte

1. El electrodoméstico solo se debe transportar en posición vertical. El embalaje debe quedar intacto tras el transporte.
2. No manipular el electrodoméstico hasta pasadas por lo menos cuatro horas de su instalación, con el fin de que el sistema se asiente. También es conveniente que espere cinco minutos a encender el aparato una vez enchufado.
3. El incumplimiento de las anteriores instrucciones puede provocar daños en el frigorífico, declinando el fabricante toda responsabilidad por ellos.
4. El electrodoméstico debe estar protegido de la lluvia, la humedad y el frío.

Importante:

- Al limpiar o desplazar el electrodoméstico se debe poner especial cuidado en no tocar el extremo inferior de las láminas metálicas del condensador, que se encuentran en la parte trasera del aparato, ya que ello puede provocar heridas en dedos y manos.
 - No ponerse de pie ni sentarse en la parte superior del electrodoméstico, ya que no está diseñado para dicha utilización. Podría sufrir lesiones o causar daños al electrodoméstico.
- ADVERTENCIA:** Comprobar que el aparato no queda apoyado sobre el cable principal durante ni después del desplazamiento, ya que el cable podría resultar dañado.
- No permitir a los niños jugar con el electrodoméstico ni manipular sus mandos.

Instrucciones de instalación

1. No instalar el electrodoméstico en estancias donde la temperatura pueda descender por debajo de los 10 grados centígrados (50°F) por la noche y/o especialmente en invierno, ya que se ha diseñado para funcionar con temperaturas ambiente de entre 10 y 43 grados centígrados (50-109°F). A temperaturas inferiores, es posible que el aparato no funcione, reduciéndose el periodo de conservación de los alimentos.

2. No colocar el electrodoméstico cerca de cocinas o radiadores ni bajo la luz solar directa, ya que ello puede provocar una mayor carga para las funciones del aparato. Si se instala cerca de una fuente de calor o de un congelador, mantener las distancias laterales mínimas siguientes:

Con respecto a cocinas, 30 mm.

Con respecto a radiadores, 300 mm.

Con respecto a congeladores, 25 mm.

3. Compruebe que hay espacio suficiente en torno al aparato para garantizar la circulación de aire (**figura 2**).

• Abra la puerta del frigorífico para ajustar la distancia a la pared (**figura 3**).

4. El electrodoméstico solo se debe colocar sobre superficies lisas. Los dos pies delanteros se pueden ajustar si es necesario. Para garantizar la verticalidad del electrodoméstico, ajustar los dos pies delanteros girándolos a derecha o izquierda hasta que el contacto con el suelo sea firme y seguro. El ajuste correcto de los pies evita vibraciones o ruidos excesivos (**figura 4**).

5. Consultar la sección "Conservación y limpieza" para preparar el aparato para su utilización.

Detalles del electrodoméstico (Figura 1)

- 1 - Alojamiento de termostato y bombilla
- 2 - Estantes interiores ajustables
- 3 - Colector de agua
- 4 - Tapa del cajón de frutas y verduras
- 5 - Cajones de frutas y verduras
- 6 - Pie ajustable
- 7 - Compartimento de lácteos
- 8 - Estante para botes
- 9 - Estante para botellas

Disposición recomendada de los alimentos en la despensa frigorífica

Normas para conseguir el almacenamiento e higiene óptimos:

1. Este aparato está destinado al almacenamiento de alimentos frescos y bebidas por un periodo de tiempo breve.

2. Los productos lácteos deben almacenarse en el compartimento especial del revestimiento interior de la puerta.

3. Los alimentos cocinados deben depositarse en recipientes herméticos, siendo conveniente almacenarlos en los estantes extraíbles.

4. Los productos frescos envueltos pueden conservarse en el estante. Las frutas y verduras frescas deben lavarse previamente y almacenarse en los compartimentos destinados a ellas.

5. Las botellas se pueden conservar en la sección de la puerta.

6. Para almacenar carne cruda, envuélvala en bolsas de polietileno y colóquela en el estante inferior. No permita que la carne cruda entre en contacto con los alimentos cocinados, para evitar contaminaciones. Por seguridad, no almacenar carne cruda durante más de dos o tres días.

7. No cubra los estantes extraíbles con papel u otros materiales con el fin de permitir la libre circulación del aire y obtener así el máximo rendimiento.

8. Los estantes disponen de topes traseros y pueden inclinarse para el almacenamiento de botellas. Separe el estante de las ranuras para ajustarlo.

9. Para inclinar un estante, coloque la parte posterior del mismo un nivel por debajo de la parte delantera. Para extraer un estante inclinado, soltarlo primero de la parte posterior situada un nivel por debajo de la anterior. Para extraer un estante inclinado, saque en primer lugar la parte posterior de las ranuras y a continuación tire de él. pepinos, tomates y demás alimentos similares en bolsas de polietileno.

10. No conserve aceite vegetal en los estantes de la puerta. Conservar los alimentos empaquetados, envueltos o cubiertos. Deje que los alimentos y las bebidas calientes se enfríen antes de introducirlos en el frigorífico. No almacenar sustancias explosivas en el frigorífico. Las bebidas alcohólicas de alta graduación se deben almacenar en recipientes sellados y en posición vertical. Los restos de alimentos enlatados no se deben almacenar dentro de sus latas.

11. Algunas frutas y verduras se estropean al someterlos a temperaturas cercanas a los 0°C. Por lo tanto, envuelva las piñas, melones.

Control y ajuste de la temperatura

La temperatura interna debe ajustarse por medio del botón del termostato.

Las temperaturas alcanzadas en el interior del electrodoméstico pueden oscilar en función de las condiciones de uso: ubicación, temperatura ambiente, frecuencia con que se abre la puerta, cantidad de alimentos. La posición del botón del termostato variará en función de esas condiciones. Por lo general, para una temperatura ambiente de 25 °C (77 °F), el botón del termostato se situará en una posición media.

Evite aquellas posiciones del termostato que pudiesen provocar que el electrodoméstico estuviera constantemente en funcionamiento. Por ejemplo, un descenso de la temperatura por debajo de los 0 °C podría provocar la congelación de las bebidas y los alimentos frescos, así como la acumulación de una cantidad excesiva de hielo en las paredes. Todas las condiciones mencionadas podrían implicar un descenso de la eficacia del enfriamiento (incremento del consumo energético).

Antes del funcionamiento

Comprobación final

Antes de empezar a utilizar el frigorífico, compruebe que:

1. Los pies se han ajustado hasta conseguir una nivelación perfecta.
2. El interior está seco y el aire circula libremente por la parte trasera.
3. El interior está limpio conforme a las recomendaciones de la sección "Conservación y limpieza".
4. Se ha introducido el enchufe en la toma de corriente y se ha activado la electricidad. Cuando se abre la puerta, la luz interior se enciende.

Y tenga en cuenta que:

5. Se oye un ruido cada vez que el compresor se pone en funcionamiento. Los líquidos y gases del sistema de refrigeración también pueden hacer ruidos, esté o no el compresor en funcionamiento. Esto es perfectamente normal.
6. También es normal una ligera ondulación en la parte superior del armario debido al proceso de fabricación utilizado. No es un defecto.
7. Se recomienda ajustar el mando del termostato en la posición intermedia y supervisar la temperatura para asegurarse de que el frigorífico mantenga las temperaturas de conservación deseadas (consultar la sección "Control y ajuste de la temperatura").
8. No cargue el electrodoméstico inmediatamente después de encenderlo. Espere hasta que alcance la temperatura de conservación correcta. Se recomienda comprobar la temperatura con un termómetro de precisión (consultar la sección Control y ajuste de la temperatura).

Descongelación

La despensa frigorífica se deshíela automáticamente. El agua de deshielo se canaliza al tubo de drenaje a través de un canal de recogida y se evapora en un depósito especial situado en la parte posterior del aparato. **(Figura 5)**.

Durante el deshielo, se pueden formar gotas de agua en la parte trasera de la despensa frigorífica donde se encuentra empotrado el evaporador. Algunas gotas pueden permanecer en el revestimiento interior y volver a congelarse después de finalizado el deshielo. No utilizar nunca objetos con punta o bordes afilados, como cuchillos o tenedores, para retirar las gotas que se hayan vuelto a congelar.

Si en algún momento el agua del deshielo no se desagüa por el canal de recogida, comprobar que no haya restos de alimentos que obstruyan el conducto de desagüe. El tubo de desagüe se puede vaciar accionando el émbolo de plástico situado en su parte inferior.

Compruebe que el extremo del tubo esté siempre colocado en la bandeja de recogida del compresor para evitar el derramamiento de agua sobre los componentes eléctricos o el suelo **(Figura 6)**.

Sustitución de la bombilla interior

Para cambiar la bombilla/LED utilizada para iluminar el frigorífico, llame al servicio técnico autorizado.

Las lámparas usadas en este aparato no son aptas para la iluminación de las estancias del hogar. El fin previsto de estas lámparas es ayudar al usuario a colocar alimentos en el frigorífico/congelador de una manera segura y cómoda.

Las lámparas utilizadas en este electrodoméstico deben soportar unas condiciones físicas extremas como temperaturas inferiores a -20 °C.

Recolocación de la puerta

Continúe en orden numérico **(Figura 7)**.

Conservación y limpieza

1. Se recomienda desenchufar el aparato retirando el enchufe de la toma de corriente antes de realizar la limpieza.

2. No utilizar nunca en la limpieza instrumentos afilados o sustancias abrasivas, jabones, limpiadores domésticos, detergentes ni ceras abrillantadoras.

3. Utilizar agua tibia para limpiar el armario del electrodoméstico y secarlo con un paño.

4. Utilice un paño humedecido con la solución de una cucharadita de bicarbonato sódico en un vaso grande de agua, para limpiar el interior. Secarlo con un trapo.

5. Asegurarse de que no entra agua en la caja de control de la temperatura.

6. Si no se va a utilizar el electrodoméstico durante un largo periodo, desenchufarlo, retirar toda la comida, limpiarlo y dejar la puerta entreabierta.

7. El polvo acumulado en el condensador, situado en la parte trasera del electrodoméstico, debe retirarse una vez al año con un aspirador.

8. Comprobar regularmente los cierres herméticos de la puerta para asegurarse de que estén limpios y sin restos de alimentos.

9. Nunca:

- Limpiar el electrodoméstico con material inadecuado; por ejemplo, productos derivados del petróleo.

- Exponerlo a altas temperaturas.

- Restregar, frotar, etc., el aparato con materiales abrasivos.

10. Retirada de la cubierta de lácteos y la bandeja de la puerta:

- Para retirar la cubierta de lácteos, levantar primero la cubierta unos 2,5 cm (una pulgada) y tirar desde el lateral que tiene una abertura en la cubierta.

- Para extraer las bandejas de la puerta, retirar todo su contenido y, a continuación, empujar simplemente la bandeja hacia arriba desde su base.

11. Comprobar que el recipiente especial de plástico de la parte posterior del electrodoméstico, que recoge el agua del deshielo, esté limpio en todo momento.

Si se desea retirar la bandeja para limpiarla, seguir las siguientes instrucciones:

- Desenchufar el aparato retirando el enchufe de la toma de corriente
- Con unos alicates, ondular ligeramente el aro del compresor para poder retirar la bandeja
- Levantarlo.
- Limpiarlo y secarlo
- Volver a colocarlo, invirtiendo la secuencia de operaciones.

Prácticas correctas e incorrectas

Correcto - Limpiar y descongelar el frigorífico con regularidad.

Correcto - Conservar la carne cruda y de ave bajo los productos cocinados y los productos lácteos.

Correcto - Conservar los alimentos el menor tiempo posible y respetar sus fechas de caducidad.

Correcto - Retirar las hojas inservibles de las verduras y limpiar toda suciedad.

Correcto - Dejar la lechuga, el repollo, el perejil y la coliflor con el tallo.

Correcto - Envolver el queso primero en papel resistente a la grasa y, a continuación, en una bolsa de polietileno, sacando todo el aire posible. Para obtener los mejores resultados, sacar los alimentos del compartimento frigorífico una hora antes de comerlos.

Correcto - Envolver la carne cruda y de ave en polietileno o papel de aluminio sin apretar. Esto evita que se sequen.

Correcto - Envasar el pescado y los despojos en bolsas de polietileno.

Correcto - Envasar en bolsas de polietileno o envolver en papel de aluminio los alimentos que desprendan olores fuertes o que se puedan secar, o bien introducirlos en recipientes herméticos.

Correcto - Envolver bien el pan para mantenerlo fresco.

Correcto - Enfriar los vinos blancos, las cervezas y el agua mineral antes de servir.

Incorrecto - Almacenar plátanos en el compartimento del frigorífico.

Incorrecto - Almacenar melones en el frigorífico. No obstante, se pueden enfriar durante cortos periodos siempre y cuando se almacenen envueltos para evitar que transmitan olores a otros alimentos.

Incorrecto - Dejar la puerta abierta durante mucho tiempo ya que esto eleva el costo de funcionamiento del refrigerador. Éste ha sido diseñado solo para el almacenamiento de alimentos comestibles.

Incorrecto - Cubrir los estantes con cualquier material protector que pueda obstruir la circulación de aire.

Incorrecto - Almacenar sustancias venenosas o peligrosas en el electrodoméstico. Éste ha sido diseñado solo para el almacenamiento de alimentos comestibles.

Incorrecto - Consumir alimentos almacenados durante periodos excesivamente largos.

Incorrecto - Almacenar alimentos frescos y cocinados en un mismo recipiente. Deben empaquetarse y almacenarse por separado.

Incorrecto - Permitir que alimentos descongelados o los jugos de los alimentos goteen sobre otros alimentos.

Información sobre ruidos del funcionamiento

Para mantener constante la temperatura seleccionada, el electrodoméstico a veces enciende el compresor.

Los ruidos que se producen son normales. Cuando el electrodoméstico haya alcanzado la temperatura de funcionamiento, el volumen de los ruidos se reduce automáticamente.

El motor (compresor) emite un zumbido. Cuando el motor se enciende, el ruido puede aumentar su volumen brevemente. Cuando el refrigerante fluye por los conductos, emite un ruido de burbujeo, borboteo o runruneo.

Se puede oír un chasquido siempre que el termostato encienda/apague el motor.

Se puede producir un chasquido cuando

- el sistema de deshielo automático está activo.

- el aparato se está enfriando o calentando (expansión del material).

Si estos ruidos son excesivamente grandes, las causas probablemente no son graves y por lo general son muy fáciles de eliminar.

- El electrodoméstico no está nivelado: utilizar los pies regulables en altura o colocar un relleno debajo de los pies.
- El electrodoméstico no tiene una posición independiente – Alejar el electrodoméstico de las cocinas o de otros aparatos.
- Los cajones o los estantes están sueltos o atascados: comprobar los componentes separables y, si es necesario, volver a instalarlos.
- Las botellas y/o recipientes están en contacto unos con otros: separarlos.

Resolución de problemas

Si el aparato no funciona al conectarlo, comprobar:

- Si se ha introducido correctamente el enchufe en la toma de corriente y si la alimentación eléctrica está activada. (Para comprobar la alimentación eléctrica de la toma de corriente, enchufe otro electrodoméstico.)
- Si el fusible está fundido, si el automático ha saltado o si el interruptor principal está apagado.
- Si el control de temperatura está establecido correctamente.
- Si el nuevo enchufe está correctamente cableado, en caso de que se haya cambiado el enchufe.

Si el electrodoméstico sigue sin funcionar después de las comprobaciones anteriores, ponerse en contacto con el proveedor que lo suministró.

Asegurarse de que se realicen las comprobaciones anteriores, ya que en caso de que realmente no haya ninguna avería, el proveedor puede exigirle los gastos de la visita.



Este producto incorpora el símbolo de recogida selectiva de residuos de equipos eléctricos y electrónicos. Ello significa que este producto debe ser manipulado teniendo en cuenta la Directiva Europea 2002/96/EC, en orden de ser reciclado o recuperado para minimizar su impacto en el medio ambiente.

Para más información rogamos contacte con las autoridades locales o regionales más próximas a su domicilio.

Los productos electrónicos no incluidos en el proceso de recogida selectiva son potencialmente peligrosos para el medio ambiente y la salud humana debido a la presencia de ciertas sustancias.

Parabéns por ter escolhido um Eletrodoméstico de Qualidade da **BEKO**, concebido para lhe proporcionar muitos anos de utilização.

Princípios básicos de segurança!

Não ligue o aparelho à corrente eléctrica enquanto não tiver retirado todas as proteções de embalagem e de transporte.

- Deixe-o na vertical durante pelo menos, 4 horas, antes de o ligar para que o óleo do compressor estabilize.
- No caso de se estar a desfazer de um aparelho antigo com uma fechadura ou trinco adaptada(o) à porta, parta ou inutilize a fechadura para se certificar de que é deixado em segurança para evitar que crianças fiquem presas no interior do mesmo.
- Este aparelho só deve ser utilizado para o fim a que se destina.
- Não elimine o aparelho queimando-o. O seu aparelho contém, no isolamento, substâncias isentas de CFC que são inflamáveis. Para obter informações sobre eliminação correcta e instalações disponíveis para o efeito, sugerimos que contacte a autoridade local.
- Não recomendamos a utilização deste aparelho numa sala fria e não aquecida (por exemplo, garagem, estufa, anexo, alpendre, exterior da casa, etc).

Para obter o melhor desempenho e um funcionamento sem problemas do seu aparelho, é muito importante que leia cuidadosamente estas instruções. O não seguimento destas instruções pode invalidar o direito à assistência gratuita durante o período de garantia.

Para facilitar a consulta, guarde estas instruções num local seguro.

Serão fornecidas Peças Sobresselentes originais durante 10 anos após a data de aquisição do produto.

Este aparelho não se destina à utilização por pessoas com capacidades físicas, sensoriais ou mentais reduzidas ou sem experiência e conhecimento, a não ser que sejam supervisionadas ou instruídas sobre a utilização do aparelho por uma pessoa responsável pela sua segurança.

As crianças devem ser supervisionadas para garantir que não brincam com o aparelho.

Requisitos eléctricos

Antes de inserir a ficha na tomada de parede, certifique-se de que a voltagem e a frequência apresentadas na placa de características colocada dentro do aparelho, correspondem à corrente eléctrica que vai utilizar.

Recomendamos que este aparelho seja ligado à corrente através de uma tomada com interruptor e fusível adequável que seja de fácil acesso.

Aviso! Este aparelho deve ser ligado a uma tomada com terra.

As reparações no aparelho eléctrico só devem ser efectuadas por um técnico qualificado. As reparações incorrectas efectuadas por uma pessoa não qualificada acarretam riscos que podem ter consequências graves para o utilizador do aparelho.

ATENÇÃO!

Este aparelho funciona com R 600a, que é um gás não prejudicial para o ambiente mas inflamável. Durante o transporte e instalação do produto, devem ser tomadas as devidas precauções para não danificar o sistema de arrefecimento. Se o sistema de arrefecimento se danificar, e se ocorrer uma fuga de gás, mantenha o produto afastado de qualquer chama e ventile o espaço durante algum tempo.

AVISO - Não utilize dispositivos mecânicos ou outros para acelerar o processo de descongelação. Siga apenas as instruções recomendadas pelo fabricante.

AVISO - Não danifique o circuito de refrigeração.

AVISO - Não utilize aparelhos eléctricos dentro dos compartimentos de armazenamento de alimentos do aparelho, excepto os que forem recomendados pelo fabricante.

AVISO - Se o cabo fornecido estiver danificado, deve ser substituído pelo fabricante, pelo seu agente de assistência ou por pessoas igualmente qualificadas, para evitar qualquer perigo.

Instruções para transporte

1. O aparelho deve ser transportado apenas na posição vertical. A embalagem fornecida deve ser mantida intacta durante o transporte.
2. O aparelho não deverá ser colocado em funcionamento durante, pelo menos, 4 horas após a instalação para permitir que o sistema estabilize. Deverá, também, deixar decorrer cinco minutos entre ter ligado à tomada e ligar o aparelho (no seu respectivo botão).
3. A falha no cumprimento das instruções acima referidas pode resultar em danos no aparelho, pelos quais o fabricante não se responsabilizará.
4. O aparelho deve estar protegido da chuva, humidade e frio.

Importante!

- Deve ter cuidado quando limpar/deslocar o aparelho, para não tocar na parte inferior dos fios metálicos do condensador, que se encontram na parte posterior do aparelho, para evitar ferimentos nos dedos e nas mãos.
 - Não se ponha de pé nem se sente sobre o aparelho, pois ele não foi concebido para tal fim. Se o fizer, corre o risco de ferimentos ou de provocar danos no aparelho.
- AVISO** - Ao deslocar o aparelho e depois disso, certifique-se de que o cabo de alimentação não fica debaixo dele, pois isso poderá danificar o cabo.
- Não permita que as crianças brinquem com o aparelho nem com os controlos.

Instruções de instalação

1. Não coloque o aparelho num compartimento onde a temperatura possa atingir valores inferiores a 10°C (50°F) durante a noite e/ou especialmente no Inverno, dado que o aparelho foi concebido para funcionar à temperatura ambiente entre +10 e +43°C (50 a 109°F). Em temperaturas inferiores, o aparelho pode não funcionar, o que resulta numa redução do período de armazenamento dos alimentos.

2. Não coloque o aparelho junto de fogões ou de radiadores ou sob luz solar directa, de modo a evitar uma deformação nas funções do aparelho. Se o instalar junto a uma fonte de calor ou a uma arca congeladora, mantenha as seguintes distâncias laterais mínimas:

De fogões, 30 mm

De radiadores, 300 mm

De arcas congeladores, 25 mm

3. Certifique-se de que existe espaço suficiente em redor do frigorífico, de modo a assegurar a livre circulação de ar **(Item 2)**.

• Abra a porta do frigorífico para definir a distância entre o frigorífico e a parede **(Item 3)**.

4. O aparelho deve ser colocado numa superfície plana. Os dois pés frontais devem ser ajustados se necessário. Para garantir que o aparelho fique na vertical, ajuste os dois pés frontais rodando-os para a direita ou para a esquerda, até que o contacto com o chão seja firme. O ajuste correcto dos pés evita o excesso de vibração e ruído **(Item 4)**.

5. Para preparar o aparelho para utilização, consulte a secção "Limpeza e cuidados".

Conheça o seu aparelho

(Item 1)

- 1 - Compartimento do termóstato e da lâmpada
- 2 - Prateleiras de armário ajustáveis
- 3 - Colector de água
- 4 - Tampa da gaveta para hortaliças
- 5 - Gavetas
- 6 - Pé ajustável
- 7 - Compartimento para produtos lácteos
- 8 - Prateleira para jarros
- 9 - Prateleira para garrafas

Arrumação sugerida para os alimentos no frigorífico

Directrizes para a obtenção de armazenamento e higiene otimizados:

1. Este aparelho para armazenar, durante um curto período de tempo, alimentos frescos e bebidas.

2. Os produtos lácteos devem ser armazenados no compartimento especial incluído no interior da porta.

3. Os alimentos cozinhados devem ser armazenados em recipientes herméticos e ficam melhor armazenados em qualquer uma das prateleiras amovíveis.

4. Os produtos frescos envolvidos em película devem ser guardados na prateleira. Os frutos e os vegetais frescos devem ser limpos e guardados nas gavetas correspondentes.

5. As garrafas podem ser guardadas no compartimento da porta.

6. Para armazenar carne crua, coloque-a em sacos de polietileno e guarde-a na prateleira inferior. Não deixe que a carne crua entre em contacto com alimentos cozinhados, para evitar contaminações. Por razões de segurança, armazene a carne durante apenas dois ou três dias.

7. Para obter a máxima eficiência, as prateleiras amovíveis não devem ser cobertas com papel ou outros materiais para permitir a livre circulação de ar frio.

8. As prateleiras são instaladas nos encaixes posteriores e inclinadas para armazenar garrafas. Levante a prateleira das ranhuras quando ajustar.

9. Para inclinar uma prateleira, coloque a parte posterior desta um nível abaixo da parte dianteira da prateleira. Para retirar a prateleira inclinada, liberte primeiro a parte de trás do nível abaixo da frente da prateleira. Para retirar uma prateleira inclinada, primeiro liberte a parte de trás das ranhuras, depois puxe-a.

10. Não guarde óleo vegetal nas prateleiras da porta. Mantenha os alimentos embalados, envolvidos ou cobertos. Deixe arrefecer os alimentos e as bebidas quentes antes de os refrigerar. Não guarde substâncias explosivas no frigorífico. As bebidas alcoólicas de alta graduação devem ser guardadas na vertical e em recipientes fechados. Os restos de alimentos enlatados não devem ser guardados dentro da lata.

11. Alguns frutos e vegetais deterioram-se se foram mantidos a temperaturas próximas dos 0° C. Por isso, os ananases, melões, pepinos, tomates e produtos semelhantes devem ser guardados em sacos de polietileno.

Controlo e ajuste da temperatura

A temperatura interna pode ser ajustada através do botão do termóstato.

As temperaturas alcançadas dentro do aparelho podem oscilar dependendo das condições de utilização: localização, temperatura ambiente, frequência de abertura das portas, quantidade de alimentos. A posição do botão do termóstato mudará em função destas condições.

Geralmente, para uma temperatura ambiente de 25°C (77°F), o botão do termóstato será ajustado para uma posição intermédia.

Evite determinadas posições do botão do termóstato que podem implicar um funcionamento permanente do aparelho. Isto pode implicar uma descida da temperatura abaixo de 0°C, por isso, as bebidas e os alimentos frescos podem congelar e pode-se acumular uma quantidade excessiva de gelo na parede interna. Tudo o que foi atrás mencionado pode implicar uma diminuição da eficiência de refrigeração (aumentando o consumo de energia).

Antes do funcionamento

Verificação final

Antes de começar a utilizar o aparelho, verifique se:

1. Os pés foram ajustados de modo a garantir um perfeito nivelamento.
2. O interior está seco e se o ar pode circular livremente na parte posterior.
3. O interior está limpo, de acordo com as recomendações apresentadas na secção "Limpeza e cuidados".
4. A ficha foi introduzida na tomada de parede e a electricidade está ligada. Quando a porta é aberta a luz interior liga.

E repare que:

5. Ouvirá um ruído quando o compressor começar a trabalhar. O líquido e os gases no interior do sistema de refrigeração também podem fazer algum ruído, independentemente do compressor estar ou não a funcionar. Esta situação é bastante normal.

6. Também é bastante normal uma pequena ondulação na parte superior do compartimento, devido ao processo de fabrico utilizado; não é um defeito.

7. Recomendamos a colocação do botão do termóstato na posição intermédia e que controle a temperatura para garantir que o frigorífico mantém as temperaturas de armazenamento pretendidas (Consulte a secção Ajuste e controlo da temperatura).

8. Não carregue o frigorífico imediatamente após a ligação. Aguarde até que a temperatura correta de armazenamento seja atingida. Recomendamos a verificação da temperatura com um termómetro de precisão (Consulte a secção Ajuste e controlo da temperatura).

Descongelação

O frigorífico descongela automaticamente. A água da descongelação circula até ao tubo de drenagem através de um canal de recolha e é evaporada num recipiente especial situado na parte posterior do frigorífico. **(Item 5)**.

Durante a descongelação, podem-se formar gotas de água na parte posterior do frigorífico onde se encontra o evaporador. Algumas gotas podem permanecer no interior e recongelar depois da descongelação estar terminada. Não utilize objectos pontiagudos, como facas ou garfos, para remover as gotas que tenham recongelado.

Se, em qualquer momento, a água da descongelação não circular pelo canal de recolha, verifique se o tubo de drenagem não está obstruído com partículas de alimentos. O tubo de escoamento pode ser limpo empurrando o êmbolo especial de plástico fornecido sob o tubo de escoamento.

Certifique-se que o tubo esteja colocado de forma permanente com a sua extremidade no tabuleiro de recolha no compressor para evitar o derrame de água sobre a instalação eléctrica ou no chão **(Item 6)**.

Substituição da lâmpada interior

Para substituir o LED/a lâmpada utilizado(a) para a iluminação do seu frigorífico, contacte o seu Serviço de Assistência Autorizado.

A(s) lâmpadas usadas neste aparelho não se adequam à iluminação doméstica. O fim previsto para esta lâmpada é o de auxiliar o utilizar a colocar alimentos no frigorífico/congelador de uma forma segura e confortável.

As lâmpadas utilizadas neste aparelho devem suportar condições físicas extremas, tais como temperaturas abaixo de -20°C.

Recolocação da porta

Siga as instruções por ordem numérica (Item 7).

Limpeza e cuidados

1. Antes de efectuar a limpeza, recomendamos que desligue o frigorífico retirando a ficha da tomada de corrente.

2. Nunca utilize objetos pontiagudos ou substâncias abrasivas, sabão, produtos de limpeza domésticos, detergentes ou ceras de polimento para limpar.

3. Utilize água morna para limpar o compartimento interior do aparelho e seque-o com um pano.

4. Utilize um pano humedecido numa solução composta por uma colher de chá de bicarbonato de soda dissolvido em cerca de meio litro de água para limpar o interior e limpe até secar com um pano.

5. Certifique-se de que não entra água na caixa de controlo da temperatura.

6. Se não utilizar o aparelho durante um longo período de tempo, desligue-o, retire todos os alimentos, limpe-o e deixe a porta entreaberta.

7. Todo o pó acumulado no condensador, localizado na parte posterior do frigorífico, deve ser retirado uma vez por ano com um aspirador.

8. Verifique regularmente os vedantes da porta, para assegurar que elas estão limpas e sem restos de alimentos.

9. Nunca:

- Limpe o aparelho com material inadequado como, por exemplo, produtos derivados do petróleo.

- O exponha a altas temperaturas,
- O limpe, esfregue, etc., com materiais abrasivos.

10. Remoção da tampa do compartimento para produtos láteos e da prateleira da porta:

- Para retirar a tampa do compartimento para produtos láteos, primeiro levante-a cerca de 2 cm e retire-a a partir da parte lateral que contém uma ranhura.

- Para retirar a prateleira da porta, remova todo o seu conteúdo e, em seguida, puxe-a cuidadosamente.

11. Certifique-se de que o recipiente especial de plástico, localizado na parte posterior do aparelho e que recolhe a água da descongelação, está sempre limpo. Se pretender retirar o tabuleiro para limpá-lo, siga as instruções a seguir apresentadas:

- Desligue o frigorífico retirando a ficha da tomada de parede

- Com a ajuda de um alicate, desaperte cuidadosamente o pino existente no compressor, para que o tabuleiro possa ser removido

- Levante-o.

- Limpe-o e seque-o com um pano

- Volte a instalá-lo, invertendo a sequência das operações.

Procedimentos corretos e incorretos

Correto - Limpar e descongelar o seu aparelho regularmente.

Correto - Manter a carne crua e de aves sob os alimentos cozinhados e os produtos láteos.

Correto - Manter os alimentos no frigorífico o menor tempo possível e respeitar as datas de validade.

Correto - Retirar dos vegetais as folhas não utilizáveis e limpar toda a sujidade.

Correto - Deixar as alfaces, couves, salsa e couve-flor com o talo.

Correto - Envolver o queijo primeiro em papel vegetal e, em seguida, colocá-lo num saco de polietileno, retirando a maior quantidade de ar possível. Para obter os melhores resultados, retirar os alimentos do compartimento do frigorífico uma hora antes de os consumir.

Correto - Envolver carne crua e de aves em polietileno ou papel de alumínio. Este procedimento evita que os alimentos sequem.

Correto - Colocar peixe e restos em sacos de polietileno.

Correto - Colocar alimentos com cheiro intenso ou que possam secar em sacos de polietileno, envolvê-los em papel de alumínio ou colocá-los em recipientes herméticos.

Correto - Envolver bem o pão para mantê-lo fresco.

Correto - Esfriar vinhos brancos, cervejas, e águas minerais antes de servi-los.

Incorreto - Armazenar bananas no compartimento do refrigerador.

Incorreto - Armazenar melões no frigorífico. Estes podem ser esfriados durante curtos períodos de tempo, desde que sejam envolvidos para evitar que fiquem com sabor de outros alimentos.

Incorreto - Deixar a porta aberta durante grandes períodos de tempo, dado que isto encarece o custo de funcionamento do frigorífico. O frigorífico foi concebido para armazenar apenas alimentos comestíveis.

Incorreto - Cobrir as prateleiras com materiais de proteção que possam obstruir a circulação de ar.

Incorreto - Guardar substâncias venenosas ou perigosas no frigorífico. Ele foi concebido para armazenar apenas alimentos comestíveis.

Incorreto - Consumir alimentos armazenados durante períodos excessivos de tempo.

Incorreto - Armazenar, no mesmo recipiente, alimentos cozinhados e frescos. Eles deverão ser embalados e guardados separadamente.

Incorreto - Deixar que os alimentos descongelados ou sumos pinguem para os alimentos.

Informações sobre ruídos durante o funcionamento

Para manter constante a temperatura seleccionada, ocasionalmente o seu aparelho comuta para ON (LIGAR) o compressor.

Os ruídos resultantes são bastante normais. Logo que o aparelho tenha atingido a temperatura de funcionamento, os ruídos reduzirão automaticamente em volume.

O ruído sussurrante é emitido pelo motor (compressor). Quando o motor comuta para ON, o ruído pode aumentar brevemente de volume.

Um ruído borbulhante, de gargarejo ou de zumbido é emitido pelo refrigerador assim que ele circula através dos tubos.

O estalido pode ser sempre ouvido quando o termóstato comuta o motor para ON/OFF (LIGAR/DESLIGAR).

Pode ocorrer um estalido quando

- o sistema de descongelação automática é activado.
- o aparelho está a arrefecer ou a aquecer (expansão do material).

Se estes ruídos forem excessivamente altos, as causas não são, provavelmente, graves e são, geralmente, muito fáceis de eliminar.

- O aparelho não está nivelado - Utilize os pés de altura reguláveis ou coloque calços por baixo dos pés.
- O aparelho é não encastrável - Por favor, afaste-o das unidades da cozinha ou de outros aparelhos.
- As gavetas ou prateleiras estão soltas ou encravados - Por favor, verifique os componentes amovíveis e, se necessário, readapte-os.
- As garrafas e/ou os recipientes estão em contacto uns com os outros - Por favor, afaste as garrafas e os recipientes uns dos outros.

Resolução de problemas


Se o aparelho não funcionar depois de ter sido ligado, verifique se:

- Se a ficha está corretamente introduzida na tomada e se a alimentação eléctrica está ativa. (Para verificar a alimentação eléctrica da tomada, ligue outro aparelho)
- o fusível está fundido, se o disjuntor ou se o interruptor principal se desligou.
- o controlo de temperatura foi definido correctamente.
- a ficha nova está correctamente ligada, caso a tenha substituído.

Se após todas estas verificações, o aparelho continua a não funcionar, contacte o representante onde adquiriu o electrodoméstico.

Certifique-se de que efectuou todas as verificações acima apresentadas, pois, caso não seja detectada qualquer avaria ser-lhe-á debitado um valor.



O símbolo  no produto ou na embalagem indica que este produto não pode ser tratado como lixo doméstico normal. Ao contrário, deve ser encaminhado para o ponto de recolha aplicável para a reciclagem de equipamentos eléctricos e electrónicos. Ao assegurar que este equipamento seja eliminado correctamente, ajudará a prevenir potenciais efeitos negativos ao meio ambiente e à saúde humana, causados pela eliminação inadequada deste produto. Para informações mais detalhadas sobre a reciclagem deste produto, contacte a câmara municipal local, o serviço de recolha de lixo doméstico ou a loja onde adquiriu o produto.

Gratulujemy Państwu wyboru naszego produktu, który z pewnością dobrze będzie Państwu służył przez wiele lat.

Bezpieczeństwo przede wszystkim!

Prosimy dokładnie zapoznać się z instrukcją obsługi. Zawiera ona bardzo ważne informacje jak używać twojego nowego urządzenia. Jeśli instrukcja nie będzie przestrzegana, możesz stracić prawo do naprawy gwarancyjnej. Prosimy zachowaj tę instrukcję w bezpiecznym miejscu, a gdy będziesz sprzedawał urządzenie przełącz ją następnemu nabywcy.

- Nie podłączaj chłodziarki do prądu dopóki nie zostaną usunięte wszystkie elementy opakowania i zabezpieczenia transportowe.
- Przed podłączeniem pozostaw urządzenie, na co najmniej 4 godziny, aby mogło się ustabilizować, jeśli było transportowane poziomo.
- To urządzenie może być używane tylko zgodnie z przeznaczeniem, np. do przechowywania pożywienia.
- Nie zalecamy używania urządzenia w nieogrzewanych pomieszczeniach takich jak np. garaż, przybudówka, szopa czy na zewnątrz. Patrz "ustawienie urządzenia"
- Przed odebraniem urządzenia od dostawcy, upewnij się czy produkt nie jest uszkodzony i czy wszystkie jego elementy i wyposażenie jest w idealnym stanie.
- Nie używaj uszkodzonego urządzenia. Jeśli masz jakiegokolwiek zastrzeżenia skontaktuj się ze sprzedawcą.
- Nie zezwalaj dzieciom na zabawę urządzeniem.
- Nie siadaj ani nie stawaj (nie pozwalaj na to również dzieciom) na urządzeniu, ani na żadnych wystających elementach.
- Nie wieszaj się na drzwiach urządzenia
- Twoje urządzenie zawiera niefluorowany czynnik chłodzący, lecz naturalny, przyjazny dla środowiska gaz R600a. Gaz R600a jest gazem łatwopalnym, dlatego upewnij się, że układ chłodzenia nie został uszkodzony w czasie transportu czy używania.

W przypadku wykrycia uszkodzeń:

- Zabezpiecz urządzenie przed otwartym ogniem, źródłem iskier i substancjami łatwopalnymi.
- Natychmiast przewietrz pomieszczenie, w którym stoi urządzenie.
- Należy uważać, by wydostający się gaz nie pryskał na oczy, ponieważ może spowodować zakażenie.
- Miejsce, w którym stoi urządzenie nie może być mniejsze niż 10 m sześciennych.
- Nie wrzucaj niepotrzebnego urządzenia do ognia. Twoje urządzenie zawiera materiały łatwopalne.
- W celu pozbycia się urządzenia skontaktuj się z rzeczoznawcą na twoim terenie, w celu uzyskania informacji na temat utylizacji podobnych urządzeń.



Uwaga - Dbaj o to by otwory wentylacyjne w obudowie twojego urządzenia zawsze były otwarte, żeby powietrze dochodziło bez żadnych przeszkód.



Uwaga - Nie używaj żadnych mechanicznych urządzeń, ani w żaden inny sposób nie przyspieszaj procesu rozmrażania, poza tymi, które są rekomendowane przez producenta.



Uwaga - Nie uszkodzaj układu chłodzenia



Uwaga - Nie używaj żadnych urządzeń elektrycznych wewnątrz komory chłodziarki, chyba, że są one zalecane przez producenta urządzenia.

- Unikaj dotykania metalowych części kondensatora umieszczonych z tyłu urządzenia; istnieje ryzyko doznania obrażeń.
 - W przypadku awarii najpierw odłącz urządzenie od prądu.
 - Przed przystąpieniem do czyszczenia, zawsze odłącz urządzenie od prądu, lub wyłącz zasilanie. Nigdy nie ciągnij za kabel. Odłączając urządzenie od sieci, trzymaj za wtyczkę.
 - Naprawy układu elektrycznego mogą być dokonywane tylko przez fachowców. W razie uszkodzenia przewodu zasilającego, aby uniknąć niebezpieczeństwa, musi go wymienić producent, jego agent serwisowy lub podobnie wykwalifikowany personel.
- Oryginalne części zamienne będą dostępne przez 10 lat od daty zakupu produktu.

Jak transportować

Urządzenie powinno być transportowane w pozycji pionowej.

Opakowanie urządzenia nie może być uszkodzone w czasie transportu.

Jeśli urządzenie było transportowane w pozycji poziomej, przed podłączeniem musi być ustawione w pozycji pionowej i pozostawione na minimum 4 godziny.

Urządzenie musi być chronione przed deszczem, wilgocią i innymi czynnikami atmosferycznymi.

Producent nie ponosi odpowiedzialności, jeśli nie będą przestrzegane warunki podane w instrukcji obsługi.



Pozbywanie się starego urządzenia

Spraw by stare urządzenie stało się niezdatne do użytku. Odłącz je od sieci elektrycznej i odetnij wtyczkę. Zanim pozbędziesz się urządzenia usuń lub zniszcz zatrzaski i zamki. W ten sposób zapobiegiesz możliwości zatrzaśnięcia się w starej chłodziarce dzieci. Gdyby tak się stało, mogłoby to zagrażać ich życiu.

Instalacja

• Nie używaj chłodziarki w pomieszczeniu, w którym temperatura spada poniżej 10° C w nocy i/lub zwłaszcza zimą. W zbyt niskiej temperaturze urządzenie może nie działać prawidłowo, co może mieć wpływ na spadek przydatności do spożycia przechowywanego jedzenia.

• Klasa klimatyczna twojej chłodziarki podana jest na tabliczce umieszczonej wewnątrz urządzenia. Poniżej podajemy temperatury, w jakich mogą działać chłodziarki poszczególnych klas:

Klasa klimatyczna	temperatura otoczenia
SN.....	+10 °C do 32 °C
N	+16 °C do 32 °C
ST	+16 °C do 38 °C
T.....	+16 °C do 43 °C
SN-ST.....	+10 °C do 38 °C
SN-T	+10 °C do 43 °C

Ustawienie chłodziarki

Chłodziarka powinna być umieszczona zgodnie z zasadami pokazanymi na rysunku. Pomieszczenie powinno być suche i wentylowane.

Na chłodziarkę nie powinny bezpośrednio padać promienie słoneczne, ani nie powinna znajdować się w pobliżu źródeł ciepła takich jak grzejnik czy piec.

Jeśli nie można inaczej, należy zachować minimalne odstępki:

Piecyk elektryczny: 3 cm

Grzejnik: 3 cm

Urządzenie chłodzące: 2,50 cm

• Należy zapewnić właściwe krążenie powietrza wokół twojego urządzenia.

• Upewnij się, że pomieszczenie, w którym stoi twoja chłodziarka pozwala na swobodną cyrkulację powietrza (**rys. 2**).

Umocuj dwa plastikowe kołki dystansowe dostarczone wraz z urządzeniem, obracając o 1/4 obrotu, na kondensatorze z tyłu chłodziarki (**rys. 3**).

• Urządzenie powinno być postawione na płaskiej, równej powierzchni. Wysokość dwóch przednich nóżek może być ustawiona w zależności od potrzeb (**rys. 4**).

Przekręcając je zgodnie ze wskazówkami zegara lub odwrotnie należy wypoziomować chłodziarkę. Prawidłowe wypoziomowanie chłodziarki, pozwoli uniknąć wibracji i głośnej pracy urządzenia.

Używanie urządzenia przez osoby z fizycznymi sensorycznymi lub mentalnymi ograniczeniami powinno odbywać się tylko pod kontrolą osób odpowiedzialnych za ich bezpieczeństwo.

Należy dopilnować, aby dzieci nie używały urządzenia do zabawy.

Podłączenie elektryczne



Uwaga

To urządzenie musi być uziemione.

- Sprawdź czy rodzaj zasilania i napięcie w twoim regionie odpowiada wartościom podanym na tabliczce znamionowej, umieszczonej w środku urządzenia.
- Bezpieczeństwo pod względem elektrycznym urządzenia, może być zapewnione tylko wtedy, gdy instalacja elektryczna wraz z uziemieniem w twoim domu została odpowiada normom.
- W czasie ustawiania chłodziarki nie pozwól, aby kabel elektryczny dostał się pod spód urządzenia. Może to grozić uszkodzeniem kabla.
- Upewnij się, że wtyczka pasuje do gniazda. Nie używaj rozgałęziaczy ani przedłużaczy.
- Specyfikacja elektryczna chłodziarki podana jest na tabliczce znamionowej znajdującej się wewnątrz urządzenia.
- Kabel zasilający przeprowadź w taki sposób, aby łatwo było podłączyć i odłączyć chłodziarkę od prądu.
- W sytuacji, gdy nie ma łatwego dostępu do kabla, należy zastosować wyłącznik (modele do zabudowy).

Poznaj swoją chłodziarkę

Rys. 1

1. Obudowa termostatu i lampki
2. Regulowane półki
3. Rurka odprowadzająca rozmrożoną wodę
4. Pokrywa pojemnika na owoce i warzywa
5. Pojemnik na owoce i warzywa
6. Regulowane przednie nóżki
7. Pojemnik na nabiał
8. Balkonik na słoiki
9. Regulowane półki na drzwiach

Przed uruchomieniem

Zanim zaczniesz używać swojej chłodziarki, dla bezpieczeństwa sprawdź:

- czy chłodziarka jest prawidłowo ustawiona na podłodze
- czy zapewniona jest należyta cyrkulacja powietrza
- czy wewnątrz chłodziarki jest czyste (patrz: czyszczenie i konserwacja)

Teraz podłącz chłodziarkę do prądu. Kompresor jest włączony; wewnętrzna lampka zapala się, gdy otwarte są drzwi urządzenia.

Nie umieszczaj produktów spożywczych w chłodziarce do momentu aż temperatura nie osiągnie właściwego poziomu.

Ustawianie temperatury pracy

Temperaturę wewnątrz można regulować pokrętkiem termostatu.

Temperatura wewnątrz może wahać się w zależności od warunków jej użytkowania, np. umiejscowienia, temperatury otoczenia, częstotliwości otwierania drzwi, ilości żywności. Zakłada się, że przy temperaturze otoczenia 25C termostat powinien być nastawiony w pozycji środkowej. Należy unikać nastawiania termostatu w skrajnych pozycjach. Może to doprowadzić do spadku skuteczności chłodzenia oraz zwiększonego zużycia energii.

Chłodzenie

Przechowywanie żywności

Chłodziarka przeznaczona jest do krótkoterminowego przechowywania świeżego jedzenia i napojów.

Mleko przechowuj w przeznaczonym do tego pojemniku w chłodziarce.

Butelki mogą być przechowywane w specjalnie przygotowanych uchwytach, umieszczonych na drzwiach chłodziarki.

Zanim włożysz gorące pożywienie lub napoje do chłodziarki, pozwól, aby ostygły do temperatury pokojowej.

**Uwaga**

Wysokoprocentowy alkohol powinien być przechowywany szczelnie zamknięty w pozycji pionowej.

**Uwaga**

Nie wkładaj do chłodziarki żadnych łatwopalnych substancji ani pojemników pod ciśnieniem, bitej śmietany w aerozolu itp.

Grozi to wybuchem.

Rozmrażanie chłodziarki

Komora chłodziarki rozmraża się automatycznie. Woda przepływa przez kanał odpływowy (rys. 6) do pojemnika z tyłu chłodziarki (rys. 5).

W czasie rozmrażania woda skrapla się z tyłu chłodziarki z uwagi na parownicę. Jeśli nie wszystkie krople spłyną na dół, mogą zamarznąć ponownie. Należy usunąć je ściereczką zmoczoną w ciepłej wodzie (nigdy twardym ani ostrym przedmiotem).

Od czasu do czasu należy sprawdzić czy kanał odpływowy nie jest zapchany. Można go oczyścić wacikiem na patyczku, podobnym przedmiotem (patrz rozdział „Czyszczenie i konserwacja”).

Wymiana żarówki oświetlenie wewnętrzne

Aby wymienić lampkę używaną do oświetlenia chłodziarki, prosimy wezwać autoryzowany serwis.

Lampa (lampy) wykorzystywane w tym urządzeniu nie są przeznaczone do oświetlania pomieszczeń. Lampa ta ma pomagać użytkownikowi wygodnie i bezpiecznie umieszczać pożywienie w lodówce/zamrażarce.

Żarówki używane w urządzeniu muszą wytrzymać ekstremalne warunki fizyczne, jak np. temperatury poniżej -20°C.

Przekładanie drzwi

Postępuj zgodnie z kolejnością przedstawioną na rysunku 7.

Czyszczenie i konserwacja**Powierzchnie wewnętrzne i zewnętrzne****Uwaga**

Przed myciem, zawsze odłączaj kabel zasilający od sieci elektrycznej lub wyłączaj układ chłodzenia.

Do czyszczenia elementów zewnętrznych używaj letniej wody i łagodnych detergentów.

Nigdy nie używaj detergentów żrących, ani kwasów. Elementy wewnętrzne należy wycierać do sucha.

Uważaj, aby woda nie dostała się do urządzeń elektrycznych, kontrolujących temperaturę oraz oświetlenia wewnętrznego. Jeśli urządzenie nie będzie używane przez dłuższy okres czasu, odłącz je od sieci i wyjmij wszystkie produkty. Umyj chłodziarkę i pozostaw drzwi otwarte.

W celu utrzymania ładnego wyglądu chłodziarki możesz elementy zewnętrzne oraz drzwi środkiem nabłyszczającym. Kondensator umieszczony z tyłu urządzenia należy czyścić raz w roku używając pędzelka lub odkurzacza. Nadmierna ilość kurzu może mieć wpływ na większe zużycie energii.

Sprawdź czy uszczelka na drzwiach równo przylega. Myj tylko wodą i zawsze wycieraj do sucha.

Czyszczenie akcesoriów**Półki na drzwiach:**

Wyjmij wszystkie produkty z półek zawieszonych na drzwiach. Unieś pokrywkę półki do góry i wyjmij z prowadnic. Wysuń dolną część półki popychając ją do góry.

Pojemnik na wodę

Upewnij się, że pojemnik na wodę z tyłu urządzenia jest czysty.

Delikatnie zwolnij zatrzaski pojemnika na kompresorze naciskając je używając do tego celu jakiegoś narzędzia (najlepiej śrubokręta), tak by można było zdjąć pojemnik.

Unieś go do góry, wyczyść i wytrzyj do sucha. Zamontuj pojemnik powtarzając czynności w odwrotnej kolejności.

Porady praktyczne

Chłodzenie

- Zanim włożysz świeże jedzenie i warzywa do pojemnika na owoce i warzywa, umyj je.
- Zanim włożysz produkty do chłodziarki, pakuj je, zawijaj lub wkładaj do odpowiednich pojemników.
- Zawijaj produkty, których nie powinno się przechowywać w niskich temperaturach w polietylenowych torbach (ananas, melony, ogórki, pomidory, itp.).
- Jedzenie o silnym zapachu lub takie, które łatwo przejmuje zapachy powinny być zapakowane hermetycznie lub zawinięte w materiał nieprzepuszczający zapachów.
- Świeże jedzenie trzymaj oddzielone od jedzenia ugotowanego, żeby zapobiec zakażeniu bakteriami.
- Nigdy nie przechowuj w chłodziarce mięsa dłużej niż 2 – 3 dni.
- Pozostające jedzenie puszkowane należy wyjąć z puszki i przechowywać w odpowiednich pojemnikach.
- Nie zaburzać cyrkulacji powietrza wewnątrz urządzenia zakrywając półki.
- Nigdy nie trzymaj w lodówce niebezpiecznych ani trujących substancji.
- Przed spożyciem produktów przechowywanych przez dłuższy okres czasu, zawsze sprawdzaj ich przydatność do spożycia.
- Nie przechowuj w jednym pojemniku świeżego jedzenia razem gotowanym.
- W celu uniknięcia nadmiernego zużycia energii staraj się, aby czas otwarcia drzwi był możliwie jak najkrótszy.
- Do usuwania nadmiaru lodu nie używaj twardych ani ostrych narzędzi.
- Nie wkładaj gorącego jedzenia do chłodziarki.

Przykłady użytkowania

Białe wino, piwo, woda mineralna	schłodzić przed spożyciem
Banany	nie przechowywać w lodówce
Ryby lub podroby	przechowywać tylko w polietylenowych torbach
Ser	przechowywać w pojemnikach hermetycznych lub polietylenowych torbach; najlepiej wyjąć z chłodziarki na godzinę przed spożyciem
Melony	przechowywać przez krótki okres, w pojemnikach hermetycznych
Świeże mięso i drób	nie przechowywać razem z delikatnymi pokarmami takimi jak gotowane potrawy lub mleko

Normalne odgłosy pracy

Różne odgłosy pracy twojego urządzenia są całkowicie normalne. Spowodowane są działaniem systemu chłodzenia;

- Bulgotanie, syczenie, odgłosy gotowania są powodowane są krążeniem czynnika chłodzącego, w układzie chłodzenia. Dźwięki te mogą być słyszalne na krótko po wyłączeniu się kompresora.
- Nagłe, ostre trzaski powodowane są rozszerzaniem lub kurczeniem się wewnętrznych ścianek lub innych elementów wewnątrz przedziałów.
- Szum, warkot, wibracje, lub wysokie brzęczące tony pochodzą z kompresora. Te dźwięki nieznacznie są głośniejsze, gdy kompresor się włącza i cichną, gdy urządzenie osiągnie zadaną temperaturę.
- Nagłe odgłosy kliknięcia pochodzą z zaworu elektromagnetycznego, regulującego przepływ czynnika chłodzącego między dwoma różnymi układami chłodzenia.

Żeby ograniczyć drgania i wydobywanie się różnych dźwięków, należy sprawdzić czy;

- Twoja chłodziarka dobrze stoi na czterech nogach i jest dobrze wypoziomowana.
- Twoja chłodziarka nie dotyka do ścian, otaczających przedmiotów, szafek kuchennych czy innych mebli.
- Puszki, butelki i talerze umieszczone wewnątrz chłodziarki, nie dotykają i nie obijają się o siebie.
- Wszystkie półki i pojemniki wewnątrz chłodziarki są właściwie zamontowane.



To urządzenie jest oznaczone zgodnie z Dyrektywą Europejską 2002/96/WE oraz polską Ustawą o zużyтым sprzęcie elektrycznym i elektronicznym symbolem przekreślonego kontenera na odpady.

Takie oznakowanie informuje, że sprzęt ten, po okresie jego użytkowania nie może być umieszczany łącznie z innymi odpadami pochodzącymi z gospodarstwa domowego.

Użytkownik jest zobowiązany do oddania go prowadzącym zbieranie zużytego sprzętu elektrycznego i elektronicznego. Prowadzący zbieranie, w tym lokalne punkty zbiórki, sklepy oraz gminne jednostki, tworzą odpowiedni system umożliwiający oddanie tego sprzętu.

Właściwe postępowanie ze zużyтым sprzętem elektrycznym i elektronicznym przyczynia się do uniknięcia szkodliwych dla zdrowia ludzi i środowiska naturalnego konsekwencji, wynikających z obecności składników niebezpiecznych oraz niewłaściwego składowania i przetwarzania takiego sprzętu.

Importer:
BEKO SA
ul. Puławska 366
02-819 Warszawa
www.beko.com.pl
Wyprodukowano w Rumunii

Gwarancja jakości

Twój produkt marki BEKO posiada gwarancję jakości udzieloną przez Beko S.A z siedzibą w Warszawie ul. Puławska 366, 02-819 Warszawa (dalej Gwarant).

Gwarancja jakości udzielana jest wyłącznie na produkty marki BEKO wprowadzane do obrotu na terytorium Rzeczypospolitej Polskiej przez Gwaranta. Termin gwarancji wynosi 24 miesiące od daty zakupu produktu. Oświadczenie gwarancyjne określające warunki gwarancji znajdziesz na stronie internetowej www.beko.pl w sekcji serwis.

Warunkiem wykonywania uprawnień z gwarancji jest przedstawienie dowodu zakupu produktu lub zarejestrowanie produktu na stronie www.beko.pl w sekcji serwis .

Zarejestruj swój produkt.

Załącz konto oraz zarejestruj teraz swój produkt marki BEKO objęty gwarancją na naszej stronie internetowej www.beko.pl w sekcji serwis. Dzięki temu nie będziesz musiał się martwić w sytuacji gdy zgubisz dowód zakupu. Ponadto będziesz miał możliwość otrzymania oświadczenia gwarancyjnego w postaci „cyfrowej karty gwarancyjnej”.

Obsługa klienta – infolinia 22 250 14 14

W celu zgłoszenia reklamacji lub usterki produktu marki BEKO prosimy o kontakt telefoniczny z infolinią . Nasi konsultanci pomogą ci rozwiązać problem lub skierują do właściwego serwisu BEKO.

Infolinia czynna jest 7 dni w tygodniu od 8.00 do 20:00.

* Koszt połączenia jak za połączenie lokalne (z telefonu stacjonarnego) lub według stawek operatora sieci komórkowej.



Podpis i pieczęć instalatora (z numerem uprawnienia) w przypadku montażu urządzeń gazowych lub płyt i piekarników elektrycznych

Aby otrzymać więcej informacji dotyczących serwisu BEKO np. gdzie kupić części zamienne lub akcesoria należy odwiedzić stronę internetową www.beko.pl i wybrać zakładkę serwis.

Blahopřejeme k výběru kvalitního spotřebiče **BEKO** který je určen pro mnoho let služby.

Bezpečnost především!

Nezapojujte spotřebič do napájecí sítě, dokud neodstraníte všechny obalové a přepravní materiály.

- Před zapnutím nechte nejméně 4 hodin stát, aby se usadil olej v kompresoru.
- Pokud likvidujete starý spotřebič se zámkem nebo západkou na dveřích, rozlomte nebo zneškodněte zámek, aby byl v bezpečném stavu a dětem nehrozilo uvíznutí uvnitř.
- Tento spotřebič musí být používán pro stanovený účel.
- Neodkládejte spotřebič do ohně. Váš spotřebič obsahuje v izolační vrstvě látky bez CFC, které jsou hořlavé. Doporučujeme kontaktovat místní úřady pro informace o likvidaci a dostupných zařízeních.
- Nedoporučujeme používat tento spotřebič v nevytápěné chladné místnosti. (např. garáž, sklad, přístavba, kůlna, hospodářské stavení atd.)

Pro co nejlepší výkonnost a bezporuchovou službu vašeho spotřebiče je velmi důležité pozorně si přečíst tyto pokyny. Nedodržením těchto pokynů se vystavujete riziku zrušení možnosti servisu zdarma po dobu záruční lhůty.

Uschovejte tyto pokyny na bezpečném místě pro snadné vyhledání.

Tento spotřebič není určen pro použití osobami se sníženými fyzickými, smyslovými nebo duševními schopnostmi nebo nedostatečnou zkušeností a znalostmi, pokud jsou bez dohledu nebo pokynů o použití spotřebiče od osob zodpovídajících za jejich bezpečnost. Děti by měly být pod dozorem, aby se zajistilo, že si nebudou hrát se spotřebičem.

Elektrické požadavky

Před zasunutím zásuvky do sítě se ujistěte, že napětí a kmitočet na štítku uvnitř spotřebiče odpovídají vašemu zdroji. Doporučujeme připojit tento spotřebič do sítě přes vhodně vypínanou a zajištěnou zásuvku na snadno dostupném místě.

Upozornění! Tento spotřebič musí být uzemněn.

Opravy elektrického vybavení by měl provádět jen kvalifikovaný technik. Nesprávné opravy provedené nekvalifikovanou osobou představují riziko, které by mohlo mít kritické dopady pro uživatele spotřebiče.

POZOR!

Tento spotřebič používá R 600a, což je plyn, který je šetrný k životnímu prostředí, ale je hořlavý. Během přepravy a upevňování výrobku je třeba dbát zvýšené opatrnosti, aby nedošlo k poškození chladicí soustavy. Pokud je chladicí soustava poškozená a ze systému uniká plyn, udrzte výrobek mimo otevřený oheň a nějakou dobu v místnosti větrejte.

UPOZORNĚNÍ – Nepoužívejte mechanické nástroje nebo jiné prostředky k urychlení procesu odmrazení s výjimkou těch, které doporučuje výrobce.

UPOZORNĚNÍ – Nepoškozujte chladicí obvod.

UPOZORNĚNÍ – Nepoužívejte elektrické spotřebiče uvnitř prostor na skladování potravin spotřebiče, pokud se nejedná o typy doporučené výrobcem.

UPOZORNĚNÍ – V případě poškození napájecího kabelu je nutno jej nechat vyměnit u výrobce, jeho servisního zástupce či podobně kvalifikované osoby, aby se předešlo nebezpečí.

Pokyny pro přepravu

1. Spotřebič se smí přenášet jen ve svislé pozici. Obaly musí zůstat během přepravy neporušené.
2. Spotřebič nepoužívejte nejméně 4 hodiny po instalaci, aby se systém mohl usadit. Možná bude také nutné počkat pět minut mezi zapojením a zapnutím spotřebiče.

3. Nedodržení výše uvedených pokynů by mohlo vést k poškození spotřebiče, za které výrobce nezodpovídá.

4. Spotřebič je třeba chránit proti dešti, vlhku a chladu.

Důležité upozornění!

- Při čištění/přenášení spotřebiče se nedotýkejte spodní části kovových kabelů kondenzátoru na zadní straně spotřebiče, mohlo by dojít k poranění prstů a rukou.
 - Nesedejte si a nestoupejte na horní okraj spotřebiče, jelikož na toto není určen. Mohli byste se zranit nebo poškodit spotřebič.
- UPOZORNĚNÍ** - Ujistěte se, že napájecí kabel není zachycen pod spotřebičem během a po přesouvání, mohlo by to poškodit kabel.
- Nedovolte dětem hrát si se spotřebičem nebo manipulovat s ovladači.

Pokyny pro instalaci

1. Nepřechovávejte spotřebič v místnosti, kde může teplota klesnout pod 10°C v noci a/nebo zejména v noci, jelikož je určen na provoz v teplotách mezi +10 a +43 stupni Celsia. Při nižších teplotách nemusí spotřebič fungovat, čímž poklesne doba skladovatelnosti potravin.
2. Neumisťujte spotřebič do blízkosti sporáků nebo radiátorů nebo na přímé sluneční světlo, dojde tím ke zvýšenému napětí funkcí spotřebiče. Při instalaci v blízkosti zdroje tepla nebo mrazničky udržujte minimální odstupy po stranách:
 - Od sporáků 30 mm
 - Od radiátorů 300 mm
 - Od mrazniček 25 mm
3. Ujistěte se, že kolem spotřebiče je dostatečný odstup tak, aby se zaručil volný oběh vzduchu (**Položka 2**).
 - Otevřete dvířka chladničky a nastavte vzdálenost mezi chladničkou a stěnou (**Položka. 3**).

4. Spotřebič by měl být umístěn na hladkém povrchu. Obě přední nožky lze nastavit dle potřeby. Abyste měli jistotu, že váš spotřebič stojí vzpřímeně, nastavte obě přední nožky tak, že jimi otočíte doprava nebo doleva, dokud není zajištěn pevný kontakt s podlahou. Správným nastavením nožek předejdete přílišným vibracím a hluku **(Položka 4)**.

5. Informace pro přípravu spotřebiče na použití naleznete v oddíle „Čištění a údržba“.

Seznámení s vaším spotřebičem (Položka 1)

- 1 - Umístění termostatu a světla
- 2 - Nastavitelné poličky
- 3 - Kolektor vody
- 4 - Kryt přihrádek na čerstvé potraviny
- 5 - Přihrádky na čerstvé potraviny
- 6 - Nastavitelná nožka
- 7 - Prostor pro mléčné výrobky
- 8 - Polička na nádoby
- 9 - Polička na lahve

Doporučené rozložení potravin ve spotřebiči

Návody pro optimální uskladnění a hygienu:

1. Tento spotřebič je pro krátkodobé ukládání čerstvých potravin a nápojů.
2. Vařené potraviny skladujte v neprodyšných nádobách a v ideálním případě na některé z vyjímatelných polic.
3. Čerstvé balené výrobky lze skladovat na polici. Čerstvé ovoce a zeleninu je třeba očistit a skladovat v přihrádkách na čerstvou zeleninu.
4. Láhve lze uchovat ve dveřní části.
5. Chcete-li skladovat syrové maso, zabalte je do polyetylenových sáčků a umístěte na nejnižší polici. Nenechte je přijít do kontaktu s vařenými potravinami, aby nedošlo ke kontaminaci. Z bezpečnostních důvodů skladujte syrové maso jen dva až tři dny.
6. Pro maximální účinnost by se neměly výsuvné police překrývat papírem nebo jinými materiály, aby studený vzduch mohl volně proudit.

7. Police jsou vybaveny zadními zarážkami a náklonem pro skladování lahví. Při nastavování zvedněte polici ze zářezů.

8. Polici nakloníte tak, že zadní stranu police umístíte o jednu úroveň pod přední stranu. Nakloněnou polici vyjmete tak, že nejprve uvolníte zadní stranu jedné úrovně pod přední stranou police. Pro vyjmutí nakloněné police nejprve uvolníte zadní stranu ze zářezů a zatáhněte.

9. Neskladujte rostlinný olej na policích ve dveřích. Potraviny uchovávejte zabalené, chráněné nebo překryté. Teplé potraviny a nápoje nechte před zchlazením vychladnout. Neskladujte v chladničce výbušné látky.

Silný alkohol se musí skladovat ve vzpřímené pozici a pevně uzavřených nádobách. Zbývající potraviny z konzerv by se neměly skladovat v konzervách.

10. Některé ovoce a zelenina se mohou poškodit, pokud je skladujete při teplotách kolem 0°C. Ananas, meloun, okurky, rajčata a podobné druhy skladujte v polyetylenových sáčcích.

Kontrola a nastavení teploty

Vnitřní teplotu lze nastavit pomocí tlačítek termostatu.

Teplota dosahovaná uvnitř přístroje by mohla kolísat podle podmínek používání: Umístění, teplota prostředí, četnost otevírání dvířek, množství potravin. Pozice tlačítka termostatu se změní v závislosti na těchto podmínkách. Pro teplotu okolí 25°C bude tlačítko termostatu nastaveno na střední pozici.

Předcházejte některým pozicím termostatu, které by mohly znamenat neustálý chod spotřebiče. To může nastat při snížení teplot pod 0°C, nápoje a čerstvé potraviny by pak mohly zmrznout a přebytečné množství ledu by se mohlo nahromadit na vnitřní stěně. Všechny tyto výše uvedené stavy by mohly znamenat snížení chladicí účinnosti (zvýšení spotřeby energie).

Před zahájením provozu

Poslední kontrola

Než začnete používat spotřebič, zkontrolujte, zda:

1. Nožky byly seřízeny pro ideální rovnováhu.
2. Vnitřek je suchý a vzduch může vzadu volně cirkulovat.
3. Vnitřek je čistý dle doporučení v oddíle „Čištění a údržba“.
4. Zásuvka byla zasunuta do sítě a elektřina je zapnutá. Po otevření dvířek se rozsvítí vnitřní osvětlení.

A nezapomeňte, že:

5. Uslyšíte hluk při startování kompresoru. Kapalina a plyny uzavřené v chladicí soustavě mohou dělat další hluk, ať je kompresor v chodu, nebo není. Je to zcela normální.
6. Nepatrné zvlnění horní části chladničky je zcela normální a je způsobeno použitým výrobním procesem; nejedná se o závadu.
7. Doporučujeme nastavovat tlačítko termostatu na střed a sledovat teplotu, abyste zajistili, že spotřebič udržuje požadovanou teplotu skladování (viz oddíl Kontrola a nastavení teploty).
8. Nezaplňujte spotřebič ihned po jeho zapnutí. Počkejte na dosažení správné skladovací teploty. Doporučujeme kontrolovat teplotu přesným teploměrem (viz: Kontrola a nastavení teploty).

Odmrazování

Chladnička se odmrazuje automaticky. Odmražená voda stéká do výpustné trubice přes sběrný kanál a odpařuje se do zvláštní nádoby v zadní části spotřebiče. **(Položka 5)** Během odmrazování se mohou na zadní stěně prostoru chladničky vytvořit kapky vody v místech, kde je umístěn odpařovač. Několik kapek může zůstat na obvodu, ty zmrznou po skončení odmrazování. Znovu zmrzlé kapky neodstraňujte špičatými nebo ostrými předměty, jako jsou nože nebo vidličky.

Pokud se kdykoli odmražená voda neodčerpává ze sběrného kanálu, zkontrolujte, zda odčerpávací trubici neblokuje částí potravin.

Výpustná trubice se čistí tak, že zatlačíte speciální plastový plovák do výpustné trubice.

Zkontrolujte, zda je hadice neustále umístěná koncem v sběrném tácu na kompresoru, aby nedošlo k rozlití vody na elektrickou instalaci nebo zem **(Položka 6)**.

Výměna vnitřní žárovky

Za účelem výměny žárovky osvětlení v chladničce prosím kontaktujte Autorizovaný servis.

Lampa (y) použité v tomto přístroji nejsou vhodné pro osvětlení místnosti domácnosti. Zamýšlený účel tohoto svítidla je pomoci uživateli umístit potraviny do chladničky / mrazničky bezpečně a pohodlně.

Žárovky použité v tomto spotřebiči musí vydržet extrémní fyzické podmínky, např. teploty pod -20°C .

Výměna dvířek

Postupujte v číselném pořadí **(Položka 7)**.

Čištění a péče

1. Doporučujeme vypnout přístroj ze sítě a vyjmout hlavní zásuvku, než přistoupíte k čištění.

2. Nikdy nepoužívejte ostré předměty či brusné látky, mýdlo, domovní čistič, odmašťovač či voskové čisticí.

3. Používejte vlažnou vodu pro vyčištění skříně a otřete ji pak dosucha.

4. Používejte vlhký hadřík namočený do roztoku jedné čajové lžičky sody bikarbony na půl litru vody na vyčištění vnitřku, pak jej dosucha otřete.

5. Ujistěte se, že do skříně pro kontrolu teploty nepronikne žádná voda.

6. Pokud spotřebič delší dobu nebudete používat, vypněte jej, vyjměte všechny potraviny, vyčistěte jej a nechte dveře otevřené.

7. Prach, který se usadí na kondenzátoru, který je umístěn na zadní straně spotřebiče, by měl být jednou ročně odstraněn vysavačem.

8. Pravidelně kontrolujte těsnění dvířek, abyste zajistili jejich čistotu a nezanesení částicemi potravin.

9. Nikdy:

- Nečistěte spotřebič nevhodnými materiály; tzn. výrobky na bázi petroleje.
- Jej nevystavujte vysokým teplotám.
- Nedrhňte, nebruste atd. brusnými materiály.

10. Ujistěte se, že zvláštní plastová nádoba na zadní straně spotřebiče, která shromažďuje odmraženou vodu, je neustále čistá. Pokud chcete odstranit podnos a vyčistit jej, postupujte podle níže uvedených pokynů:

- Vypněte přístroj a odpojte napájecí kabel.
- Jemně odpojte čep na kompresoru pomocí kleští, aby bylo možné táč vyjmout
- Zvedněte jej.
- Očistěte jej a otřete.
- Při montáži postupujte v opačném pořadí.

Co dělat a co nedělat

- Ano-** Spotřebič pravidelně čistěte a odmrazujte.
- Ano-** Syrové maso a drůbež skladujte pod vařenými potravinami a mléčnými výrobky.
- Ano-** Uchovávejte potraviny co nejkratší dobu a dodržujte jejich lhůtu spotřeby atd.
- Ano-** Otrhávejte ze zeleniny nepoužitelné lístky a otírejte přebytečnou zeminu.
- Ano-** Nechte salát, zelí, petržel a květák na stonku.
- Ano-** Sýr balte do nepropustného papíru a pak do polyetylénového sáčku tak, aby uvnitř zůstalo co nejméně vzduchu. Nejlepší je jej vyjmout z chladničky asi hodinu před podáváním.
- Ano-** Obalte syrové maso těsně do polyetylénu nebo alobalu. Zabráníte tím vysušení.
- Ano-** Balte ryby a vnitřnosti do polyetylénových sáčků.

Ano- Balte potraviny se silným aroma nebo ty, které by mohly vyschnout, do polyetylénových sáčků, alobalu nebo je ukládejte do vzduchotěsných nádob.

Ano- Chléb dobře zabalte, aby zůstal čerstvý.

Ano- Bílé víno, pivo, ležák a minerální vodu před podáváním vychladte.

Ne- skladujte banány v chladničce.

Ne- skladujte melouny v chladničce. Lze je zchladit na krátkou dobu, dokud jsou zabaleny, aby nemohly ovlivnit svým aroma jiné potraviny.

Ne- Nenechávejte dveře otevřené dlouhou dobu, ohřejete tím chladničku. Spotřebič byl určen na skladování jen jedlých potravin.

Ne- zakrývejte police ochrannými materiály, které by mohly bránit v cirkulaci vzduchu.

Ne- skladujte ve spotřebiči jedovaté nebo nebezpečné látky. Byl určen na skladování jen jedlých potravin.

Ne- konzumujte potraviny, které byly zmrazeny po příliš dlouhou dobu.

Ne- skladujte vařené a čerstvé potraviny společně ve stejné nádobě. Měly by být zabaleny a uskladněny zvlášť.

Ne- nechte rozmrazované potraviny nebo šťávy potravin kapat na potraviny.

Informace o provozních hlucích

Aby zvolená teplota zůstala konstantní, zapne váš spotřebič občas kompresor. Výsledný hluk je zcela normální. Jakmile spotřebič dosáhne provozní teploty, zvuk se automaticky ztiší.

Hučení vychází z motoru (kompresoru). Když se motor zapne, hluk může na chvíli zesílit.

Bublání, vrčení nebo šplouchání je způsobeno chladicím médiem, které prochází vedením.

Vždy, když termostat zapne/vypne motor, je slyšet cvaknutí.

Cvaknutí se může ozývat, když

- je automatický systém odmrazování aktivní.
- se spotřebič zahřívá nebo zchlazuje (rozpínání materiálu).

Pokud tyto zvuky jsou příliš hlasité, příčiny nejsou nejspíš vážné a obvykle se velmi snadno odstraňují.

- Spotřebič nestojí rovně – použijte nožky na nastavení výšky nebo umístěte pod nožky nějakou podložku.
- Spotřebič nestojí volně – Posuňte tedy spotřebič mimo kuchyňské prostředky nebo jiné spotřebiče.
- Zásuvky nebo poličky jsou volné nebo zaseklé – Zkontrolujte snímací součásti a v nutném případě je znovu osadte.
- Lahve a/nebo nádoby se navzájem dotýkají – Přesuňte lahve a/nebo nádoby dál od sebe.

Odstraňování potíží


Pokud spotřebič po zapnutí nefunguje, zkontrolujte;

- Zda je zásuvka správně zasunutá do sítě a je zapnutý přívod elektrické energie. (Pro kontrolu napětí v zásuvce do ní zapojte další spotřebič)
- Zda není vyhozená pojistka/se neaktivoval přerušovač obvodu/hlavní jistič není vypnutý.
- Zda byla správně nastavena funkce ovládání teploty.
- Zda je nová zásuvka správně propojená, pokud jste změnil osazenou tvarovanou zásuvku.

Pokud spotřebič po provedení těchto kontrol stále nefunguje, kontaktujte prodejce, u něhož jste přístroj zakoupili.

Provedte prosím všechny výše uvedené kontroly, v případě nezjištění závady bude kontrola zpoplatněna.



Symbol  na výrobku nebo na obalu upozorňuje na skutečnost, že spotřebič nepatří do běžného domácího odpadu. Místo toho je třeba jej odevzdat do speciální sběrný odpadu na recyklování elektrických a elektronických zařízení. Vaší podporou správné likvidace pomáháte zabránit potenciálně negativním vlivům na životní prostředí a lidské zdraví, které by jinak nesprávná likvidace výrobku mohla způsobit. Další informace a recyklování tohoto spotřebiče získáte na místním úřadě, ve sběrně odpadu nebo u prodejce, kde jste spotřebič zakoupili.

Blahoželáme k výberu kvalitného spotrebiča značky **BEKO** navrhnutého tak, aby vám slúžil dlhé roky.

Bezpečnosť nadovšetko!

Nezapájajte spotrebič do elektrickej siete, kým nie sú odstránené baliace a ochranné prostriedky.

- Skôr ako spotrebič zapnete, nechajte ho stáť minimálne 4 hodiny, aby sa olej v kompresore usadil.
- Ak znehodnocujete starý spotrebič so zámkom alebo západkou namontovanou na dverách, overte, či sú odstránené bezpečným spôsobom, aby ste predišli zamknutiu detí vo vnútri.
- Tento spotrebič sa musí výlučne používať na určený účel.
- Nevystavujte spotrebič ohňu. Spotrebič neobsahuje v izolácii látky CFC, ktoré sú horľavé. Navrhujeme, aby ste kontaktovali miestne úrady a získali informácie o správnej likvidácii a o dostupných zariadeniach.
- Neodporúčame využívať toto zariadenie v nevykurovanej, studenej miestnosti. (napr. garáž, sklad, prístavba, prístrešok, exteriér a pod.)

Je veľmi dôležité dôkladne si prečítať tento návod, aby ste dosiahli najlepší možný výkon a bezproblémovú prevádzku spotrebiča. Nedodržaním týchto pokynov môžete prísť o svoje právo na bezplatný servis počas záručnej doby.

Tieto pokyny uschovajte na bezpečnom mieste pre ľahšie použitie.

Originálne náhradné súčiastky budú dodávané po dobu 10 rokov od kúpy výrobku.

Tento spotrebič nie je určený na to, aby ho používala osoba so zníženými telesnými, zmyslovými alebo duševnými schopnosťami, či nedostatkom skúseností a vedomostí, ak nie je pod dohľadom osoby zodpovednej za jej bezpečnosť alebo ak od nej nedostáva pokyny. Deti by mali byť pod dohľadom, aby sa zabránilo ich hre so spotrebičom.

Elektrické požiadavky

Pred zasunutím zástrčky do zásuvky v stene sa uistite, že napätie a frekvencia uvedené na výkonovom štítku zodpovedajú zásobovaniu elektrickou energiou. Odporúčame, aby toto zariadenie bolo zapojené do elektrickej siete cez vhodnú zásuvku so spínačom na ľahko dostupnom mieste.

Výstraha! Tento spotrebič musí byť uzemnený.

Opravy tohto zariadenia by mal vykonávať kvalifikovaný technik. Nesprávne opravy vykonané nekvalifikovanou osobou spôsobujú nebezpečenstvo nepriaznivých následkov pre užívateľa spotrebiča.

POZOR!

Tento spotrebič pracuje s plynom R 600a, ktorý je ekologicky bezpečný, ale horľavý. Počas prepravy a zostavovania výrobku dbajte na to, aby ste nepoškodili chladiaci systém. Ak je poškodený chladiaci systém a unikol z neho plyn, udrzte spotrebič mimo zdroja ohňa a na chvíľu vyvetrajte miestnosť.

VÝSTRAHA – Nepoužívajte mechanické prístroje alebo iné prostriedky na urýchľovanie rozmrazovacieho procesu inak, ako odporúča výrobca.

VÝSTRAHA – Nepoškodte chladiaci okruh.

VÝSTRAHA – Nepoužívajte elektrické zariadenia v priestoroch na potraviny, iba ak ide o typy odporúčané výrobcom.

VÝSTRAHA – Ak je sieťový kábel poškodený, je potrebné, aby ho vymenil výrobca, servisný agent alebo podobne kvalifikovaná osoba, vyhnite sa tak možnému nebezpečenstvu.

Prepravné pokyny

1. Spotrebič musí byť prepravovaný výlučne vo vertikálnej polohe. Obal musí počas prepravy zostať neporušený.
2. Spotrebič by sa nemal používať aspoň 4 hodiny po inštalácii, aby sa systém mohol ustáliť. Medzi zapojením a zapnutím spotrebiča možno budete musieť počkať päť minút.

3. Nedodržanie vyššie uvedených pokynov by mohlo mať za následok poškodenie spotrebiča, za ktoré výrobca nebude niesť zodpovednosť.
4. Spotrebič musí byť chránený proti dažďu, vlhkosti a chladu.

Dôležité!

- Budte opatrný počas čistenia alebo prenosu spotrebiča, nedotýkajte sa spodnej časti chladiacich kovových vedení na zadnej strane spotrebiča, pretože by vám to mohlo spôsobiť zranenie prstov a rúk.
- Nesadajte ani nestojte na vrchnej časti zariadenia, pretože nie je vyrobené na takéto použitie. Mohli by ste sa poraniť alebo poškodiť zariadenie.

VÝSTRAHA – Zabezpečte, aby elektrický kábel nebol pricviknutý pod zariadením počas presúvania a po presunutí, mohlo by sa tým poškodiť.

- Nedovoľte deťom hrať sa so zariadením alebo s ovládačmi.

Pokyny na inštaláciu

1. Nenechávajte spotrebič v miestnosti, kde teplota v noci pravdepodobne klesne pod 10 stupňov C (50 stupňov F) a hlavne v zime, pretože je vyrobený na prevádzku pri vonkajších teplotách od +10 do +43 stupňov C (50 až 109 stupňov F). Pri nižších teplotách spotrebič nemusí fungovať, čoho dôsledkom je zníženie doby skladovania potravín.
2. Neumiestňujte spotrebič blízko pri sporákoch alebo radiátoroch ani na priamom slnečnom svetle, pretože to spôsobí mimoriadne poškodenie funkcií spotrebiča. Ak je nainštalovaný pri zdroji tepla alebo mrazničke, zachovajte nasledovné minimálne bočné vzdialenosti:
Od sporákov 30 mm
Od radiátorov 300 mm
Od mrazničiek 25 mm
3. Overte si, či je okolo spotrebiča dostatočný priestor na zabezpečenie voľnej cirkulácie vzduchu (**Položka 2**).
• Otvorte dvere chladničky a nastavte vzdialenosť chladničky od steny (**Položka 3**).

4. Spotrebič by mal byť položený na hladkom povrchu. Dve predné nožičky sa dajú nastaviť podľa potreby. Nastavte dve predné nožičky otočením v smere alebo proti smeru hodinových ručičiek, kým sa nezabezpečí pevný kontakt s podlahou, aby ste zabezpečili, že váš spotrebič stojí rovno. Správne nastavenie nožičiek zabráni nadmernej vibrácii a hluku (**Položka 4**).

5. Prečítajte si časť „Čistenie a údržba“, kde nájdete popis, ako pripraviť spotrebič na používanie.

Spoznajte spotrebič (Položka 1)

- 1 - Termostat a kryt svetidla
- 2 - Nastaviteľné poličky
- 3 - Zberač vody
- 4 - Kryt priehradky na ovocie
- 5 - Priehradky na ovocie
- 6 - Nastaviteľná nožička
- 7 - Priehradka pre mliečne výrobky
- 8 - Polička na nádoby
- 9 - Polička na fľaše

Navrhované rozmiestnenie potravín v chladničke

Pokyny na dosiahnutie optimálneho skladovania a hygieny:

1. Priestor chladničky je na krátkodobé skladovanie čerstvých potravín a nápojov.
2. Varené jedlá by ste mali skladovať vo vzduchotesných nádobách, najlepšie na jednej z odnímateľných poličiek.
3. Čerstvé zabalené výrobky sa môžu uchovávať na poličke. Čerstvé ovocie a zelenina by sa mali umyť a uskladniť v špeciálnych priehradkách.
4. Fľaše môžu byť uložené v dverovej časti.
5. Surové mäso zabaľte do polyetylénových vreciek a položte na najspodnejšiu poličku. Zabráňte kontaktu s varenými potravinami, aby ste sa vyhli kontaminácii. Z bezpečnostných dôvodov skladujte surové mäso len dva až tri dni.
6. Pre maximálnu účinnosť by odnímateľné poličky nemali byť pokryté papierom, či iným materiálom, aby sa umožnila voľná cirkulácia chladného vzduchu.

7. Tieto poličky sú vybavené zadnými priehradkami a vyklápacími časťami na skladovanie fliaš. Pri nastavovaní zodvihnite poličku úplne nad drážky.

8. Ak chcete nakloniť poličku, zadnú časť poličky dajte o jednu úroveň nižšie, ako je predná časť poličky. Ak chcete vybrať naklonenú poličku, najprv uvoľnite zadnú časť o jednu úroveň nižšie, ako je predná časť poličky. Ak chcete vybrať naklonenú poličku, najprv uvoľnite jej zadnú časť z drážok a potom ju potiahnite.

9. Na dverových poličkách neskladujte rastlinný olej. Potraviny skladujte zabalené alebo zakryté. Horúce potraviny a nápoje pred vložením do chladničky nechajte vychladnúť. V chladničke neskladujte výbušné látky. Vysokostupňový alkohol sa musí uskladňovať vo vertikálnej polohe v tesne uzavretých nádobách. Otvorené konzervované potraviny by sa nemali skladovať v konzerve.

10. Niektoré druhy ovocia a zeleniny sa poškodia, ak sa skladujú pri teplote okolo 0 stupňov Celzia. Preto ananás, melón, uhorky, paradajky a podobné produkty zabaľte do polyetylénových vreciek.

Riadenie a nastavenie teploty

Vnútoraná teplota by mala byť nastavená pomocou tlačidla termostatu.

Teploty dosiahnuté vo vnútri spotrebiča by sa mali pohybovať v závislosti od podmienok použitia – umiestnenie, okolitá teplota, frekvencia otvárania dverí a množstvo jedla. Poloha tlačidla termostatu sa zmení podľa týchto podmienok. Pre vonkajšiu teplotu 25°C (77°F) bude tlačidlo termostatu obvykle nastavené na strednú polohu. Zabráňte takým polohám tlačidla termostatu, ktoré by mohli spôsobiť nepretržitú prevádzku spotrebiča. Mohlo by tak dôjsť k poklesu teploty pod 0°C, preto by mohli nápoje a jedlo zamrznúť a na vnútornej stene by sa nahromadilo nadmerné množstvo ľadu. Všetky uvedené informácie by mohli znamenať pokles chladiacej účinnosti (rast spotreby energie).

Pred použitím

Záverečná kontrola

Skôr ako začnete používať spotrebič, skontrolujte, či:

1. Sú nožičky nastavené do úplnej roviny.
2. Je vnútro suché a vzduch môže vzadu voľne cirkulovať.
3. Je vnútro čisté podľa odporúčania v časti „Čistenie a údržba“.
4. Je zástrčka zasunutá do zásuvky v stene a elektrina je zapnutá. Keď sa otvoria dvere, zapne sa vnútorné svetlo.

Všimnite si, že:

5. Budete počuť zvuk pri zapnutí kompresora. Kvapalina a plyny utesnené v chladiacom systéme môžu vydávať nejaký zvuk, bez ohľadu na to, či kompresor je alebo nie je v prevádzke. To je úplne normálne.
6. Mierne zvlnenie na vrchu skrinky je dosť normálne a spôsobené použitým výrobným procesom, nie je to chyba.
7. Odporúčame nastaviť gombík termostatu do stredu a sledovať teplotu, aby sa zabezpečilo, že spotrebič udržiava požadovanú teplotu skladovania (Pozri časť Regulácia a nastavenie teploty).
8. Nenapíňajte spotrebič hneď po zapnutí. Počkejte, kým sa nedosiahne správna teplota skladovania. Odporúčame skontrolovať teplotu presným teplomerom (Pozri časť Regulácia a nastavenie teploty).

Odmrazovanie

Chladnička sa odmrazuje automaticky. Rozmrazená voda odteká do výtokového potrubia cez zberný kanál a vyparuje sa v špeciálnej nádobe v zadnej časti spotrebiča. **(Položka 5)**

Počas odmrazovania sa môžu vytvárať kvapky vody v zadnej časti chladničky, kde sa nachádza skrytý výparník. Niektoré kvapky môžu zostať na vložke a znovu zamrznúť, keď sa odmrazovanie skončí. Na odstraňovanie kvapiek, ktoré znovu zamrzli, nepoužívajte špicaté predmety ani predmety s ostrou hranou ako napríklad nože alebo vidličky.

Ak odmrazená voda niekedy nevytečie zo zberného kanála, skontrolujte, či čiastočky potravín neupchali výtokové potrubie. Výtokové potrubie môžete vyčistiť stlačením špeciálneho plastového piesta umiestneného vo výtokovom potrubí. Skontrolujte, či je potrubie nepretržite umiestnené koncom v zbernom podnose na kompresore, aby sa zabránilo rozliatiu vody na elektroinštaláciu alebo na podlahu **(Položka 6)**.

Výmena žiarovky vnútorného osvetlenia

Ak chcete vymeniť lampu použitú na osvetlenie vašej chladničky, zavolajte do autorizovaného servisu.

Lampa(y) použité v tomto prístroji nie sú vhodné pre osvetlenie miestnosti domácnosti. Zamýšľaný účel tohto svietidla je pomôcť užívateľovi umiestniť potraviny do chladničky/mrazničky bezpečne a pohodlne. Žiarovky použité v tomto spotrebiči musí vydržať extrémne fyzické podmienky, napr. teploty pod -20°C .

Premiestnenie dverí

Postupujte podľa číselného poradia **(Položka 7)**.

Čistenie a údržba

1. Pred čistením odporúčame vypnúť zásuvku spotrebiča a vytiahnuť zástrčku zo siete.

2. Na čistenie nikdy nepoužívajte žiadne ostré predmety ani drsné látky, mydlo, domáce čistiadlá, čistiace prostriedky ani voskové leštidlá.

3. Na čistenie spotrebiča použite teplú vodu a vytrite ho do sucha.

4. Použite vlhkú handru namočenú v roztoku jednej lyžičky sódy bikarbóny v pol litri vody. Umyte vnútrajšok a vytrite ho do sucha.

5. Skontrolujte, či sa do krytu termostatu nedostala voda.

6. Ak sa spotrebič nechystáte používať dlhšie obdobie, vypnite ho, vyberte všetky potraviny, vyčistite ho a nechajte dvere pootvorené.

7. Všetok prach, ktorý sa nazbieral na chladiči na zadnej strane spotrebiča, by sa mal raz ročne povysávať.

8. Skontrolujte, či je tesnenie dverí čisté a zbavené čiastočiek potravín.

9. Nikdy:

- Nečistite spotrebič nevhodnými materiálmi, napríklad výrobkami na báze pretroleja.
- Nevystavujte ho vysokým teplotám.
- Neleštite, neutierajte a pod. drsnými materiálmi.

10. Skontrolujte, či je špeciálna plastová nádoba na zadnej strane spotrebiča, ktorá zbiera vodu po rozmrazovaní, stále čistá. Ak chcete vybrať nádobu a vyčistiť ju, postupujte podľa nasledujúcich pokynov:

- Vypnite zásuvku spotrebiča a vytiahnite zástrčku zo siete.
- Kliešťami jemne vytiahnite spojovací prvok na kompresore tak, aby sa nádoba dala vybrať.
- Zdvihnite ju hore.
- Vyčistite a utrite ju do sucha.
- Pri opätovnom zostavení postupujte v opačnom poradí.

Čo sa má a čo sa nesmie robiť

Má sa Spotrebič pravidelne čistiť a odmrazovať.

Má sa Skladovať surové mäso a hydina pod varenými potravinami a mliekarenskými výrobkami.

Má sa Uchovávať potraviny čo najkratší čas a dodržiavať dátumy „Spotrebovať pred“ a „Použiť do“, atď.

Má sa Odstrániť nepoužiteľné listy na zelenine a odstrániť zem.

Má sa Nechať šalát, kapustu, petržlen a karfiol s koreňom.

Má sa Syr najprv zabaliť do papiera odolného voči tukom a do polyetylénového vrečka, pritom odstrániť čo najviac vzduchu. Najlepšie výsledky dosiahnete, keď vyberiete jedlo z priestoru chladničky hodinu pred jedením.

Má sa Zabaliť surové mäso a hydinu voľne do polyetylénovej alebo hliníkovej fólie. Zabraňuje to vysušeniu.

Má sa Ryby a omrvinky zabaliť do polyetylénových vreciek.

Má sa Výrazne aromatické potraviny alebo tie, ktoré môžu vyschnúť, zabaliť do polyetylénových vreciek alebo hliníkovej fólie alebo ich uložiť do vzduchotesnej nádoby.

Má sa Chlieb dobre zabaliť, aby vydržal čerstvý.

Má sa Biele vína, pivo, svetlé pivo a minerálku pred podávaním vychladiť.

Nemá sa Skladovať banány v priestore chladničky.

Nemá sa Skladovať v chladničke melón. Môže sa schladiť na krátky čas, ak je zabalený, aby sa zabránilo napáchnutiu iných potravín.

Nemá sa Nechávať na dlhú dobu otvorené dvere, pretože odmrazenie vykoná chladnička. Chladnička bola vyrobená len na skladovanie jedlých potravín.

Nemá sa Prikryvať poličky ochrannými materiálmi, ktoré môžu zabrániť cirkulácii vzduchu.

Nemá sa V spotrebiči skladovať jedovaté alebo iné nebezpečné látky. Spotrebič bol vyrobený len na skladovanie jedlých potravín.

Nemá sa Konzumovať potraviny, ktoré boli v chladničke nadmerne dlhý čas.

Nemá sa Skladovať varené a čerstvé potraviny spolu v tej istej nádobe. Mali by byť oddelene zabalené a uskladnené.

Nemá sa Nechávať rozmrazené potraviny alebo šťavy kvapkať na ostatné potraviny.

Informácie o prevádzkovom hluku

Na konštantné udržanie zvolenej teploty spotrebič príležitostne zapne kompresor. Výsledné zvuky sú celkom normálne. Hneď ako spotrebič dosiahne prevádzkovú teplotu, hlučnosť sa automaticky zníži.

Bzučivý zvuk vydáva motor (kompresor). Keď sa motor ZAPÍNA, zvuk môže krátko silnieť.

Bublavé, klokotavé alebo vírivé zvuky vydáva chladivo, pretože preteká rúrkami.

Vždy, keď termostat ZAPNE/VYPNE motor, môžete počuť klopkajúce zvuky.

Klopkajúci zvuk sa môže vyskytnúť, keď – je systém automatického rozmrazovania aktívny – sa spotrebič ochladzuje alebo zohrieva (rozpínavosť materiálu).

Ak sú tieto zvuky nadmerne hlasné, príčiny pravdepodobne nie sú vážne a zvyčajne sa veľmi ľahko odstránia.

- Spotrebič nie je v rovine – Použite nožičku s nastaviteľnou výškou alebo pod ňu položte obal.
- Spotrebič samostatne nestojí – Odsuňte spotrebič z kuchynských jednotiek alebo iných spotrebičov.
- Zásuvky alebo poličky sú uvoľnené alebo prilepené – skontrolujte odnímateľné prvky a ak je to potrebné, znovu ich namontujte.
- Fľaše alebo nádoby sa navzájom dotýkajú. Odsuňte fľaše alebo nádoby od seba.


Riešenie problémov

Ak spotrebič nefunguje, keď je zapnutý, skontrolujte,

- Či je zástrčka správne zasunutá do zásuvky a či je zapnuté napájanie. (Ak chcete skontrolovať napájanie zásuvky, pripojte iný spotrebič.)
- Či poistka vyhorela/sa istič rozpojil/sa hlavný rozvodový spínač vypol.
- Či bola správne nastavená regulácia teploty.
- Či je nová zástrčka správne zapojená, ak ste vymenili namontovanú, lisovanú zástrčku.

Ak spotrebič po tom všetkom stále nepracuje, kontaktujte obchodného zástupcu, od ktorého ste ho zakúpili. Zabezpečte vykonanie vyššie uvedených kontrol, pretože, ak sa nezistí žiadna chyba, môže sa to spoplatniť.



Symbol  na výrobku alebo na balení označuje, že s týmto výrobkom sa nesmie manipulovať ako s odpadom z domácnosti. Namiesto toho by ste ho mali odovzdať na príslušnom zbernom mieste, kde sa zabezpečuje recyklácia elektrických a elektronických zariadení. Zabezpečením správnej likvidácie tohto výrobku pomôžete zabrániť potenciálne nebezpečným negatívnym následkom na životné prostredie a zdravie ľudí, ktoré by inak mohla spôsobiť nevhodná likvidácia tohto výrobku. Ak chcete získať podrobnejšie informácie o recyklácii tohto výrobku, obráťte sa na miestny mestský úrad, na spoločnosť, ktorá sa zaoberá likvidáciou odpadu z domácností, alebo na predajňu, v ktorej ste výrobok kúpili.

Čestitamo na Vašem izboru kvalitetnog uređaja **BEKO** koji je dizajniran da vam pruži godine uporabe.

Prvo sigurnost!

Ne spajajte Vaš uređaj u struju dok ne skinete cijelo pakiranje i zaštitu za prijenos.

* Ostavite da da stoji najmanje 4 sata prije nego ga uključite, da biste pustili da se ulje kompresora slegne.

* Ako odlažete stari aparat s bravom ili kvakom na vratima, pazite da je ostavljena u sigurnom položaju da biste spriječili da djeca ostanu zatvorena unutra.

Ovaj se aparat smije koristiti samo u predviđenu svrhu.

* Ne odlažite uređaj u vatru. Vaš uređaj sadržava tvari bez klorofluorouglijaka u izolaciji, koje su zapaljive. Preporučamo Vam da za informacije o pravilnom odlaganju i dostupnim objektima kontaktirate Vaše lokalne vlasti.

* Ne preporučamo uporabu ovog aparata u negrijanoj, hladnoj sobi. (npr. garaži, ostavi, dodatku, šupi, izvan kuće, itd.)

Da biste od vašeg aparata dobili najbolje moguće performanse i rad bez greške, jako je važno da pažljivo pročitate ove upute. Ako se ne budete držali ovih uputa, to može poništiti Vaše pravo na besplatan servis tijekom razdoblja trajanja jamstva.

Molimo čuvajte ove upute na sigurnom mjestu da bi bile lako dostupne.

Uređaj nije namijenjen za uporabu od strane osoba sa smanjenim tjelesnim, osjetilnim ili mentalnim sposobnostima ili manjkom iskustva i znanja osim su pod nadzorom ili ih je osoba odgovorna za njihovu sigurnost naučila da koriste uređaj. Djeca trebaju biti pod nadzorom da se ne bi igrali uređajem.

Električni zahtjevi

Prije uključivanja utikača u utičnicu, pazite da su napon i frekvencija navedeni na aparatu jednaki onima u vašoj električnoj mreži.

Preporučamo da se ovaj uređaj spaja u struju pomoću prikladne uzemljene utičnice sa sklopkom na dostupnom položaju.

Upozorenje! Aparat mora biti uzemljen.

Popravke na električnoj opremi smije izvoditi samo kvalificirani tehničar. Pogrešne popravke koje izvede nekvalificirana osoba za sobom nose rizik od opasnih posljedica po korisnika aparata.

PAŽNJA!

Ovaj aparat radi s R 600a, koji je plin bezopasan za okoliš, ali je zapaljiv. Za vrijeme transporta i popravke proizvoda, mora se paziti da se ne ošteti sustav za hlađenje. Ako je sustav za hlađenje oštećen i plin curi iz sustava, držite uređaj podalje od izvora otvorenog plamena i neko vrijeme prozračujte sobu.

UPOZORENJE – ne koristite mehaničke uređaje ili druge načine za ubrzanje postupka topljenja od onih koje preporuča proizvođač.

UPOZORENJE – nemojte oštećivati sklop odjeljka za zamrzavanje.

UPOZORENJE – Ne koristite električne aparate unutar odjeljaka za spremanje hrane u aparatu, osim ako nisu vrste kakvu preporuča proizvođač.

UPOZORENJE – Ako je kabel napajanja oštećen, mora ga zamijeniti proizvođač, njegov serviser ili jednako kvalificirana osoba da bi se izbjegla opasnost.

Upute za prijevoz

1. Aparat se treba prevoziti samo u uspravnom položaju. Pakiranje mora tijekom transporta ostati neoštećeno onako kako je dostavljeno.

2. Uređaj ne smije raditi bar 4 sata nakon instalacije da bi se sustav slegao. Morat ćete sačekati pet minuta između uključivanja uređaja u struju i uključivanja uređaja.

3. Nepridržavanje gore navedenih uputa može rezultirati oštećenjem aparata za koje proizvođač neće biti odgovoran.

4. Uređaj mora biti zaštićen od kiše, vlage i hladnoće.

Važno!

- Morate paziti kad čistite/nosite uređaj da ne dodirnete dno metalnih žica kondenzatora na stražnjem dijelu uređaja, jer to može dovesti do povrede prstiju i ruku.
- Ne pokušavajte sjediti ili stajati na uređaju jer nije dizajniran za takvu uporabu. Mogli biste se ozlijediti ili oštetiti aparat.

UPOZORENJE - Pazite da strujni kabel ne zapne pod aparat za vrijeme i nakon pomicanja, jer to može oštetiti kabel.

- Ne dopuštajte djeci da se igraju s uređajem ili da se igraju s kontrolnim gumbima.

Upute za ugradnju

1. Ne držite aparat u sobi gdje temperatura može pasti ispod 10°C (50 F) noću i/ili posebno zimi, jer je napravljen za rad na temperaturama okoline između +10 i +43°C (50 i 109 F). Pri nižim temperaturama aparat neće raditi, što će smanjiti vijek trajanja hrane.

2. Ne stavljajte uređaj blizu štednjaka ili radijatora ili pod direktnu sunčevu svjetlost, jer će to prouzročiti posebni napor u radu aparata. Ukoliko se ugradi blizu izvora topline ili škrinje, držite sljedeći najmanji razmak sa strane:

Od štednjaka 30 mm

Od radijatora 300 mm

Od škrinje 25 mm

3. Pazite da oko aparata ima dovoljno prostora da bi se omogućila slobodna cirkulacija zraka (**Slika 2**).

- Otvorite vrata Vašeg hladnjaka da biste odredili udaljenost između hladnjaka i zida (**Stavka 3**)

4. Aparat treba postaviti na glatku površinu. Dvije prednje nožice se mogu prilagoditi po potrebi. Da biste bili sigurni da Vaš uređaj stoji uspravno, prilagodite dvije prednje nožice okretanjem u smjeru kretanja kazaljke na satu ili suprotnom smjeru, dok ne uspostavite čvrsti kontakt s tlom. Točno postavljanje nožica smanjuje pretjeranu vibraciju i buku (**Slika 4**).

5. Pogledajte dio „Čišćenje i briga“ da biste pripremili uređaj za uporabu.

Upoznavanje Vašeg uređaja (Slika 1)

- 1 - Kućište termostata i lampice
- 2 - Prilagodljive police unutrašnjosti
- 3 - Sakupljač vode
- 4 - Poklopac odjeljka za povrće
- 5 - Odjeljci za povrće
- 6 - Podesiva nožica
- 7 - Odjeljak za mliječne proizvode
- 8 - Polica za tegle
- 9 - Polica za boce

Predloženo slaganje hrane u hladnjaku za ostavu

Smjernice za dobivanje optimalnog mjesta za spremanje i higijene:

1. Odjeljak hladnjaka služi za kratkotrajnu pohranu svježe hrane i pića.
2. Kuhana jela se trebaju čuvati u spremnicima koji ne propuštaju zrak i najbolje ih je čuvati na bilo kojoj pomičnoj polici.
3. Svježe umotani proizvodi se trebaju čuvati na polici. Svježe voće i povrće se treba očistiti i staviti u odjeljak za povrće.
4. Boce se mogu čuvati u dijelu u vratima.
5. Da biste pohranili meso, zamotajte ga u plastične vrećice i stavite na najnižu policu. Nemojte dopustiti da dođe u kontakt s kuhanom hranom, da biste izmijegli kontaminaciju. Zbog sigurnosti, svježe meso čuvajte samo dva ili tri dana.
6. Za maksimalnu učinkovitost, pomične police se ne smiju omatati papirom ili drugim materijalima da bi se dopustio slobodan protok zraka.

7. Police su opremljene stražnjim branicima i nagibima za držanje boca. Podignite policu bez žlijebova kad je prilagođavate.

8. Da biste nagnuli policu, stavite stražnji dio police jednu razinu ispod prednjeg dijela police. Da biste uklonili nagnutu policu, prvo otpustite stražnji dio s razine ispod prednjeg dijela police. Da biste uklonili nagnutu policu, prvo otpustite stražnji dio sa žlijebova i zatim povucite.

9. Ne držite biljno ulje na policama vrata. Držite hranu zapakiranu, zamotanu ili pokrivenu. Prije nego ih stavite u hladnjak, pustite vruću hranu i pića da se ohlade. Ne čuvajte eksplozivne tvari u hladnjaku. Jaki alkohol se mora čuvati u uspravnom položaju u dobro zatvorenim spremnicima. Ostaci hrane iz konzerve se ne smiju spremati u konzervi.

10. Neko voće i povrće se oštećuje ako se drži na temperaturama blizu 0 stupnjeva Celzijevih. Zato zamotajte ananas, dinju, krastavce, rajčice i slične plodove u plastične vrećice.

Kontrola i prilagođavanje temperature

Unutarnja temperatura se može prilagoditi pomoću gumba s termostata.

Temperature koje su postignute unutar uređaja mogu oscilirati ovisno o uvjetima uporabe: Mjestu, temperaturi okoline, učestalosti otvaranja vrata, količini hrane. Položaj gumba termostata će se promijeniti ovisno o tim uvjetima. Općenito, za temperaturu okoline od 25°C, tipka termostata će biti postavljena na srednji položaj.

Izbjegavajte neke položaje tipke termostata koji bi mogli uključivati stalni rad uređaja. To može uključivati smanjenje temperature ispod 0°C, zato se pića i svježa hrana mogu smrznuti a na unutarnjoj stijenci se može nakupiti pretjerana količina leda. Sve gore navedeno može uključivati smanjenje učinkovitosti zamrzavanja (povećanje potrošnje energije).

Prije rada

Zadnja provjera

Prije nego počnete koristiti uređaj, provjerite da:

1. Da su nožice postavljene za savršenu ravnotežu.
2. Da je unutrašnjost suha i da zrak može slobodno cirkulirati.
3. Da je unutrašnjost čista kako se preporuča u „Čišćenju i održavanju“.
4. Da je utikač utaknut u utičnicu i da je struja uključena. kad su vrata otvorene, uključit će se unutrašnje svjetlo.

I imajte na umu da:

5. Čut ćete buku kad kompresor počne raditi. Tekućina i plinovi koji su zatvoreni u sustavu hladnjaka također mogu napraviti nešto buke, bez obita na to da li kompresor radi ili ne. To je u potpunosti normalno.
6. Malo talasanje na vrhu kutije je potpuno normalno zbog korištenog procesa proizvodnje, to nije greška.
7. Preporučamo postavljanje gumba termostata na pola i da provjeravate temperaturu da biste bili sigurni da aparat održava željenu temperaturu (Vidite dio Kontrola i postavljanje temperature)
8. Ne punite aparat odmah čim je uključen. Čekajte dok se ne dosegna željena temperatura. Preporučamo provjeravanje temperature točnim termometrom (vidite Kontrola i prilagođavanje temperature).

Odmrzavanje

Hladnjak za ostavu se automatski odmrzava. Odmrznuta voda ide u cijev za odvodnju preko kanala za sakupljanje i isparava u poseban spremnik na stražnjem dijelu aparata. **(Slika 5)**

Za vrijeme odmrzavanja, kapi vode se mogu stvarati na stražnjem dijelu hladnjaka gdje se nalazi sakriven uređaj za isparavanje. Neke kapi mogu ostati na kućištu i zamrznuti se kad je odmrzavanje gotovo. Ne koristite oštre predmete kao što su noževi ili vilice da biste uklonili kapi koje su se ponovno zamrznule.

Ako se, bilo kada, voda od odmrzavanja ne odlijeva iz kanala za sakupljanje, provjerite da dijelovi hrane nisu začepili cijev za odvodnju. Cijev za odvodnju se može čistiti guranjem dostavljenog posebnog plastičnog alata kroz cijev za odvodnju (Slika 5). Provjerite da je cijev stavljena za stalno s krajem u posudi za sakupljanje na kompresoru da bi se spriječilo prelijevanje vode na električne instalacije ili na pod **(Slika 6)**

Zamjena unutarnje žarulje

Da biste zamijenili lampicu koja se koristi za osvjetljavanje, molimo nazovite svoj ovlaštenu servis.

Lampa koja se koristi u ovom uređaju nije podesna za uporabu za osvjetljenje doma. Predviđena namjena ove lampe je da pomogne korisniku da stavi hranu u hladnjak/škrinju na siguran i ugodan način. Svjetiljke ovog uređaja moraju podnijeti ekstremne uvjete poput temperatura nižih od -20°C.

Prebacivanje vrata

Nastavite po rednim brojevima **(Slika 7)**.

Čišćenje i održavanje

1. Preporučamo da isključite aparat iz utičnice i izvučete utikač prije čišćenja.
2. Nikada za čišćenje nemojte koristiti oštre predmete ili abrazivne tvari, sapun, tekućinu za čišćenje kućanstva, deterdžent ili vosak za poliranje.
3. Koristite mlaku vodu da biste očistili kutiju aparata i osušite je krpom.
4. Koristite ocijeđenu vlažnu krpu potoplenu u otopini jedne žličice sode bikarbone na pola litre vode da biste očistili unutrašnjost i osušite je krpom.
5. Pazite da voda ne uđe u kutiju za kontroliranje temperature.
6. Ako se aparat neće koristiti dulje vrijeme, isključite ga, izvadite svu hranu, očistite ga i ostavite vrata otvorena.

7. Svu prašinu koja se skupi na kondenzatoru koji se nalazi na stražnjoj strani uređaja uklonite usisavačem.

8. Provjeravajte brtve na vratima redovito da biste bili sigurni da su čisti i da na njima nema dijelova hrane.

9. Nikada nemojte:

- Čistiti aparat s nepodesnim materijalom, npr. proizvodima na osnovi petroleja
- Ni na koji način izlagati visokim temperaturama,
- Čistiti, trljati, itd. abrazivnim sredstvima.

10. Pazite da je poseban plastični spremnik na stražnjem dijelu uređaja koji skluplja odmrznutu vodu uvijek čist. Ako želite ukloniti policu da biste je očistili, slijedite sljedeće upute:

- Isključite uređaj iz struje i izvucite utikač iz utičnice.
- Nježno otpustite tipku na kompresoru pomoću kliješta tako da se polica može ukloniti
- Podignite je.
- Očistite je i potpuno osušite
- Montirajte je natrag pomoću obrnutog slijeda operacija

Što se smije a što se ne smije

Smije se - Redovito čistiti i odmrzavati aparat.

Smije se - Držati svježe meso i perad ispod kuhane hrane i mliječnih proizvoda.

Smije se - Držati hrana što je moguće kraće vrijeme i držati se datuma vezanim uz vijek trajanja.

Smije se - Skinuti sve beskorisne listove na povrću i ukloniti svu zemlju.

Smije se - Ostaviti zelenu salatu, kupus, peršin i cvjetaču na stabljici.

Smije se - Umotati sir prvo u papir otporan na masnoću i zatim u plastičnu vrećicu, istisnuvši zrak što je više moguće. Za najbolje rezultate, izvadite hranu iz odjeljka za zamrzavanje bar sat vremena prije jela.

Smije se - Omotati svježe meso i piletinu labavo u plastičnu i aluminisjku foliju. To sprječava sušenje.

Smije se - Zamotati ribu i iznutrice u plastične vrećice.

Smije se - Zamotati hranu s jakim mirisom ili onu koja se može osušiti u plastične vrećice ili aluminijsku foliju i staviti u spremnik koji ne propušta zrak.

Smije se - Dobro omotati kruh da ostane svjež.

Smije se - Hladiti bijela vina, crno i svijetlo pivo i mineralna voda prije serviranja.

Ne smije se - Pohraniti banane u odjeljak škrinje.

Ne smije se - Pohraniti dinju ili lubenicu u škrinju. Može se hladiti kratko vrijeme dok god je omotana da biste spriječili prenošenje mirisa na drugu hranu.

Ne smije se - Ostaviti vrata otvorena dulje vrijeme, jer će to utjecati na hladnjak. Vaš hladnjak je dizajniran samo za pohranu hrane.

Ne smije se - Prekrivati police bilo kakvim zaštitnim materijalima koji sprječavaju cirkulaciju zraka.

Ne smije se - Skladištiti otrovne ili bilo kakve opasne supstance u Vašem aparatu. Dizajniran je samo za pohranu hrane.

Ne smije se - Konzumirati hrana koja je bila zamrznuta dulje vrijeme.

Ne smije se - Stavljati kuhana i svježa hrana skupa u isti spremnik. Oni se moraju pakirati i spremati osvojeno.

Ne smije se - Dopustiti da hrana ili sokovi hrane kapaju na hranu.

Informacije o buci za vrijeme rada

Da biste održali odabranu temperaturu, Vaš aparat povremeno uključuje kompresor.

Buka koja nastaje zbog tog je posve normalna.

Čim uređaj dosegne radnu temperaturu, buka će se automatski stišati.

Zujanje dolazi od (kompresora) motora. Kad se motor UKLJUČI, buka se može nakratko povećati.

Zvuk tekuće vode dolazi od sredstva za hlađenje jer teče kroz cijevi.

Buka od škljocanja se uvijek može čuti kad termostat UKLJUČUJE/ISKLJUČUJE motor.

Buka od škljocanja se može javiti kad

- automatski sustav za odmrzavanje radi.
- se uređaj hladi ili zagrijava (širenje materijala).

Ako je buka pretjerano glasna, uzroci vjerojatno nisu ozbiljni i obično se vrlo lako eliminiraju.

- Uređaj ne stoji ravno - Koristite nožicu podesivu po visini ili stavite podložak pod nožicu.
- Uređaj ne stoji slobodno – molimo pomaknite uređaj dalje od kuhinjskih elemenata ili drugih aparata.
- Ladice ili police su previše labave ili pritegnute – Molimo provjerite odvojive komponente i, ukoliko je potrebno, ponovno ih montirajte.
- Boce i/ili kutije se dodiruju - Molimo razmaknite boce i/ili kutije.

Rješavanje problema

Ako aparat ne radi kad se uključi, provjerite;


- Da je utikač dobro utaknut u utičnicu i da je dovod energije uključen. (Da biste provjerili dovod energije u utičnicu, ukljulite drugi uređaj)
- Da li je iskočio osigurač / je li isključena glavna sklopka dovoda energije.
- Da li je tipka za kontrolu temperature dobro postavljena.
- Da je novi utikač dobro sproveden, ako ste mijenjali ugrađeni utikač.

Ako aparat još uvijek ne radi nakon gore

navedenih promjena, kontaktirajte prodavača od kojih ste kupili uređaj.

Pazite da ste napravili sve gore navedene provjere, jer će Vam biti naplaćena naknada ako se ne nađe greška.



Znak  na proizvodu ili pakiranju označava da se proizvod ne smije tretirati kao kućni otpad. Umjesto toga, treba se predati u odgovarajućem centru za reciklažu električne i elektronske opreme. Osiguranjem pravilnog odlaganja ovog proizvoda, pomoći ćete u sprječavanju mogućih negativnih posljedica na okolinu i zdravlje ljudi, koji bi inače bili uzrokovani neodgovarajućim rukovanjem otpadom ovog proizvoda. Za detaljnije informacije o reciklaži ovog proizvoda, molimo javite se u ured lokalne samouprave, Vašu tvrtku za zbrinjavanje otpada ili trgovinu u kojoj ste kupili proizvod.

Gratulálunk, hogy a minőségi **BEKO** készüléket választotta, melyet sokévnnyi használatra terveztek.

Első a biztonság!

Ne csatlakoztassa a készüléket elektromos ellátáshoz, amíg minden csomagolást és szállításvédelmi eszközt el nem távolított.

- Hagyja állni 4 órát, mielőtt bekapcsolná a készüléket, hogy a kompresszor olajsintje leülepedjen.
- Ha lecseréli régi készülékét, amelyen zár vagy retesz van, törje le a zárat, hogy elkerülje egy gyermek bent rekedését.
- A készüléket csak arra a célra szabad használni, amire tervezték.
- Ne dobja tűzre a készüléket. A készülék szigetelése CFC anyagokat (fluór-klór-szénhidrogén) tartalmaz, amelyek gyúlékonyak. Azt ajánljuk, hogy további információért a készülék leselejtezésével kapcsolatban és a közeli lerakóhelyeket illetően lépjen kapcsolatba a helyi hatósággal.
- Nem ajánljuk a készülék használatát fűtetlen, hideg helyiségben. (pl.: garázs, télikert, melléképület, fészter, házon kívül stb.)

A lehető legjobb teljesítmény és zavarmentes működés érdekében nagyon fontos, hogy ezeket az utasításokat figyelmesen olvassa el. Ezen utasítások elmulasztása érvénytelenítheti az ingyen szervizhez való jogot a garancia időtartama alatt.

Kérjük, tartsa ezeket az utasításokat biztonságos helyen a gyorsabb használhatóság érdekében.

A készüléket nem tervezték korlátozott fizikai, érzékelő vagy mentális képességekkel rendelkező, illetve gyakorlatlan személy által történő használatra, kivéve, ha az ilyen személy felügyeletét valamely, annak biztonságáért felelős személy látja el, illetve ez a személy a készülék használatára vonatkozóan útmutatást biztosít. Biztosítani kell a gyermekek felügyeletét, hogy azok ne játsszanak a készülékkel.

Elektromos követelmények

Mielőtt bedugná a csatlakozót a konnektorba, győződjön meg róla, hogy a feszültség és frekvenciamutató megfelel a készülék hátulján szereplő osztályozásnak.

Azt ajánljuk, hogy a készülékét a fő áramkörhöz egy megfelelő kapcsolón keresztül csatlakoztassa egy könnyedén elérhető állásba.

FIGYELMEZTETÉS! Ezt a készüléket földelni kell.

Az elektromos berendezés javítását csak képezett technikus végezheti. A képzetlen személy által végrehajtott javítás kockázatot rejt, amely kritikus következményekkel járhat a készülék felhasználója számára.

Figyelem!

Ez a készülék R 600a –val működik, amely környezetbarát, de gyúlékony gáz. A termék szállítása és rögzítése folyamán ügyelnie kell arra, hogy ne sértse meg a hűtőrendszert. Ha a hűtőrendszer megsérül, és a gáz szivárog a rendszerből, tartsa távol azt a tűzforrásoktól, és szellőztesse ki a helyiséget rövid időre.

FIGYELMEZTETÉS – Ne használjon más mechanikus berendezéseket vagy egyéb eszközöket a kioldás felgyorsításához, mint amelyeket a gyártó ajánlott.

FIGYELMEZTETÉS – Ne károsítsa a hűtőskeringést.

FIGYELMEZTETÉS – Ne használjon elektromos berendezést a készülék élelmiszer tárolására alkalmas rekeszeiben, kivéve a gyártó által ajánlott típusokat.

FIGYELMEZTETÉS – Ha az áramellátó zsinór megsérült, annak kicserélését a gyártóval, a gyártó szervizelőjével vagy hasonló képzett szakemberrel kell elvégeztetni a veszély elkerülése érdekében.

Szállítási utasítások

1. A készüléket csak függőleges állapotban szabad szállítani. A szállítmány csomagolásának sértetlennek kell lennie a szállítás alatt.

2. A készüléket bekötés után legalább 4 órán át ne működtesse, hogy a rendszer helyreálljon. Tanácsoljuk, hogy az áramhoz csatlakoztatás és a készülék bekapcsolása között tartson öt perc szünetet.

3. Ha a fenti utasításoknak elmulaszt eleget tenni, az a készülék sérülését eredményezheti, amelyért a gyártó nem vállal felelősséget.

4. A készüléket óvni kell esőtől, nedvességtől és hidegtől.

Fontos!

• Óvatosnak kell lennie a készülék tisztítása/szállítása alatt, hogy a kondenzátor drót huzaljai ne érintkezzenek a készülék hátuljában, mivel ezek az ujjak és kezek sérülését okozhatják.

• Ne üljön vagy álljon rá a készülék tetejére, mivel azt nem erre a használatra tervezték. Megsérülhet vagy károsíthatja a készüléket.

FIGYELMEZTETÉS - Győződjön meg róla, hogy a fő kábel nem csípődött be a készülék alá a mozgatás alatt, mivel ez megsértheti a kábelt

• Ne engedje, hogy a gyerekek játszanak a készülékkel, vagy megváltoztassák a vezérlést.

Beüzemelési utasítások

1. Ne tartsa a készüléket olyan helyiségben, ahol a hőmérséklet valószínűleg 10°C (50 F) alá esik éjjel és/vagy különösen télen, mivel azt +10 és +43°C (50-109 F) közötti külső hőmérsékletre tervezték. Alacsonyabb hőmérsékleten a berendezés esetleg nem működik, és ez az étel tárolási időtartamának csökkenését eredményezi.

2. Ne tegye a berendezést tűzhelyek vagy fűtőtestek közelébe, illetve közvetlen napfényre, mivel ez különösen hathat a készülék funkcióira. Ha meleg vagy mélyhűtő mellé helyezi, tartsa be a következő minimális oldaltávolságokat:

Tűzhelyektől 30 mm

Fűtőtestektől 300 mm

Fagyasztóktól 25 mm

3. Győződjön meg róla, hogy elég hely van a berendezés körül ahhoz, hogy biztosítsa a levegő szabad áramlását **(2. ábra)**.

• A hűtőszekrény és a fal közötti távolság beállításakor nyissa ki a hűtőszekrény ajtaját **(3. ábra)**.

4. A készüléket sima felületre kell helyezni. A két első lábat beállíthatja, ha szükséges. Annak biztosításához, hogy a berendezés egyenesen álljon, forgassa a két első lábat az óra járásával megegyező vagy ellentétes irányba, amíg biztonságosan nem áll a padlón. A lábak megfelelő beállításával elkerüli a túlzott rezgést és hangot **(4. ábra)**.
5. Hivatkozzon a „Tisztítás és ápolás” részre, hogy a berendezést előkészítse a használatra.

Ismerje meg készülékét (1. ábra)

- 1 - Hőszabályozó és lámpaház
- 2 - Állítható szekrénypolcok
- 3 - Bortartó
- 4 - Vízigyűjtő
- 5 - Fiókfedő
- 6 - Fiókok
- 7 - Állítható lábak
- 8 - Befőttes polc
- 9 - Palacktartó polc

A hűtőszekrényben lévő étel javasolt elrendezése

Útmutatások az optimális tárolás és higiénia eléréséhez:

1. Ez a készülék a friss ételek és italok rövid távú tárolására szolgál.
2. A főtt ételeket légmentesen záródó edényekben tartsa, lehetőleg valamelyik kivehető polcon.
3. A friss, csomagolt termékeket tarthatja a polcon. A friss gyümölcsöket és zöldségeket meg kell tisztítani, és a fiókokban kell tárolni.
4. A palackokat tarthatja az ajtó részben.
5. A nyers hús tárolásához használjon polietilén zacskókat, és helyezze a húst a legalsó polcra. Ne hagyja, hogy főtt ételekkel érintkezzen, és így elkerülje a szennyeződést. A biztonság érdekében csak 2-3 napig tárolja a nyers húst.
6. A maximális hatékonyság érdekében ne fedje be papírral vagy egyéb anyaggal a kivehető polcokat, hogy a hideg levegő szabadon áramolhasson.
7. A polcokat palackok tárolásához hátsó blokkolókkal és döntőkkel szerelték fel. A polcok beállításakor a vájatokat vegye le.

8. A polc döntéséhez helyezze a polc hátsó részét egy szinttel az első rész alá. A döntött polc eltávolításához előbb engedje fel az alacsonyabban található hátsó részt. A döntött polcot úgy veheti ki, ha előbb felengedi a vájatokat, majd meghúzza azt.

9. Ne tároljon növényi olajat az ajtópolcokon. Az ételt tárolja csomagolva vagy lefedve. Hagyja kihűlni a forró ételeket és italokat, mielőtt hűtőbe helyezi őket. A hűtőszekrényben ne tartson robbanékony anyagokat. Magas alkoholtartalmú italokat egyenesen, lezárt tartóban kell tárolni. Az eltett ételmaradékot ne tárolja dobozban.
10. Egyes zöldségek és gyümölcsök károsodnak, ha 0 °C közeli hőmérsékleten tárolják őket. Ezért az ananászt, dinnyét, uborkát, paradicsomot és a hasonló termékeket csomagolja polietilén zacskóba.

Hőmérséklet szabályozás és -beállítás

A belső hőmérsékletet beállíthatja a termosztát gomb segítségével. A készülék belsejében fennálló hőmérséklet ingadozhat a használat feltételeitől függően: elhelyezés, környezeti hőmérséklet, ajtó nyitásának gyakorisága, ételmennyiség. A termosztát gombjának beállítása ezen feltételektől függően változik. Rendszerint 25°C környezeti hőmérséklet esetén a termosztát gomb középállapotban helyezkedik el.
Kerülje a termosztát gomb néhány olyan állását, amely a készülék folyamatos működését eredményezheti. Ennek következményeként a hőmérséklet 0°C alá csökkenhet, ezért az ital és friss étel megfagyhat, és túlzott jégmennyiség halmozódhat fel a belső falon. A fent említettekből következik a hűtőhatás csökkenése (az energiafogyasztás növekedése).

A működés megkezdése előtt

Végső ellenőrzés

Mielőtt elkezdi használni a készüléket, ellenőrizze az alábbiakat:

1. A lábak a megfelelő szintre vannak beállítva.
2. A belső rész száraz, és a levegő szabadon tud keringeni a hátsó résznél.
3. A belső rész tiszta a „Tisztítás és ápolás” részben leírtak alapján.
4. A csatlakozó be van helyezve a foglalatba, és az áram be van kapcsolva. Ha az ajtó nyitva van, a belső világítás bekapcsol.

És jegyezze meg, hogy:

5. Hangot fog hallani, amint a kompresszor beindul. A folyadék és a gázok, amelyeket a hűtésrendszeren belül lezártak, szintén (hangot) adhatnak ki, akár működik a kompresszor, akár nem. Ez teljesen normális jelenség.
6. A szekrény tetejének enyhe hullámossága teljesen normális a gyártó által használt eljárásnak köszönhetően, ez nem hiba.
7. Azt ajánljuk, hogy a hőszabályozó gombot középre állítsa és kísérje figyelemmel a hőmérsékletet, hogy biztosítsa a készülék kívánt hőmérsékletének fenntartását (Lásd Hőmérsékletszabályozás és -beállítás fejezet).
8. Ne töltsen fel azonnal a készüléket, amikor bekapcsolja. Várjon, míg a készülék eléri a megfelelő tárolási hőmérsékletet. Azt tanácsoljuk, hogy ellenőrizze a hőmérsékletet pontos hőmérővel (lásd Hőmérsékletszabályozás és -beállítás).

Kiolvasztás

A hűtőszekrény automatikusan kiolvad. A kiolvadó víz a lefolyócsőhöz fut egy, a készülék hátoldalán található gyűjtőtartályon keresztül **(5. ábra)**

Kiolvasztás alatt a hűtőszekrény hátsó oldalán, ahol egy elrejtett párologtató van elhelyezve, vízcseppek keletkezhetnek. Néhány csepp a borításon maradhat és visszafagyhat, ha a kiolvasztás befejeződött. A visszafagyott cseppek eltávolításához ne használjon hegyes vagy éles szélű tárgyakat, mint pl. kés vagy villa.

Ha a kiolvasztott víz nem folyik le a gyűjtő csatornából, ellenőrizze, hogy nem tömítették-e el a lefolyócsövet ételdarabok. A lefolyócső tisztításához húzza meg a cső alján található speciális műanyag dugattyút. Ellenőrizze, hogy a cső vége mindig a kompresszoron lévő tálcában legyen, biztosítva ezzel, hogy a víz ne folyjék az elektromos alkatrészekre vagy a padlóra **(6. ábra)**.

Belső villanykörte cseréje

A hűtőszekrény lámpájának cseréjéhez, kérjük, hívja fel a szakszervizt.

A készülékben lévő lámpa/lámpák háztartásban lévő helyiségek megvilágítására nem alkalmas/alkalmasak. A lámpa rendeltetése, hogy segítse a felhasználót az élelmiszerek hűtőszekrénybe/fagyasztószekrénybe való gyors és biztonságos behelyezésében. A készülékben használt lámpáknak extrém környezeti hatásokat kell kibírniuk, mint pl. a -20°C hőmérséklet.

Ajtó áthelyezése

Eljárás számsorrendben **(7. ábra)**.

Tisztítás és ápolás

1. Azt tanácsoljuk, hogy tisztítás előtt kapcsolja ki a készüléket, és húzza ki a fő csatlakozót.
2. Soha ne használjon éles tárgyat vagy csiszoló anyagot, szappant, háztartási tisztítót, tisztítószeret vagy viaszpolítúrt a tisztításhoz.
3. Használjon langyos vizet a készülék belsejének tisztításához, és törölje szárazra azt.
4. A belső rész tisztításához mártson egy ruhát fél liter vízbe, amelyben feloldott egy teáskanál szódadikarbónát, csavarja ki, és törölje át vele a belsőt, majd törölje szárazra.
5. Ellenőrizze, hogy ne kerüljön víz a hőmérsékletszabályozó dobozba.
6. Ha a készüléket hosszú ideig nem használják, kapcsolja ki, távolítsa el minden élelmiszert, tisztítsa meg, és hagyja félig nyitva az ajtót.
7. Évente egyszer vákuumos tisztítóval távolítsa el a kondenzátoron, a készülék hátulján felgyülemlt port.
8. Rendszeresen ellenőrizze az ajtó tömítéseket, hogy meggyőződjön róla, hogy azok tiszták és ételmaradékoktól mentesek.
9. Soha:
 - Ne tisztítsa a készüléket arra alkalmatlan anyagokkal, pl. petróleum alapú termékekkel.
 - Semmilyen körülmények között ne tegye ki magas hőnek.
 - Ne tisztítsa, súrolja stb. csiszoló anyaggal.
10. Ellenőrizze, hogy a felolvasztott vizet gyűjtő kiolvasztó tartály, amely a készülék hátoldalán található, mindig tiszta legyen. Ha el akarja távolítani a tálcát, hogy megtisztítsa, kövesse az alábbi utasításokat:
 - Kapcsolja ki az áramkört, és húzza ki a fő csatlakozót.
 - Fogó segítségével finoman csavarja ki a kompresszoron található csavart, így a tálcát eltávolítható.
 - Emelje fel a tálcát.
 - Tisztítsa meg, és törölje szárazra.
 - A sorrendet megfordítva végezze el a műveleteket, és állítsa össze újra.

Kötelező és tilos dolgok

- Kötelező** - Rendszeresen tisztítani és kiolvasztani a készüléket
- Kötelező** - A nyers húst és a baromfi húst a főtt ételek és tejtermékek alatt tartani.
- Kötelező** - Az ételt minél előbb elhasználni, és szem előtt tartani a „Minőségét megőrzi” dátumokat.
- Kötelező** - Eltávolítani el minden használhatatlan levelet a zöldségekről, és letörölni róluk a földet.
- Kötelező** - A salátát, káposztát, petrezselymet és karfiolt a törzsön/száron hagyni.
- Kötelező** - A sajtot előbb zsírpapírba, majd polietilén zacskóba csomagolni, annyira kizárva a levegőt, amennyire lehetséges. A legjobb eredményért vegye ki a hűtőből egy órával a fogyasztás előtt.
- Kötelező** - A nyers húst és szárnyasokat lazán polietilén- vagy alufóliába csomagolni. Ez megakadályozza a kiszáradást.
- Kötelező** - A halakat és belsőségeket polietilén zacskóba csomagolni.
- Kötelező** - Az erős szaggal rendelkező vagy gyorsan kiszáradó ételeket polietilén zacskókba vagy alufóliába csomagolni, esetleg légmentesen zárható dobozba helyezni.
- Kötelező** - Jól becsomagolni a kenyeret, hogy friss maradjon.
- Kötelező** - Felszolgálás előtt lehűteni a fehér borokat, sört és ásványvizet.
- Tilos** - A banánt a hűtőszekrényben tárolni.
- Tilos** - A dinnyét a hűtőszekrényben tárolni. Rövid időre hűtheti, ha becsomagolja, ezzel megakadályozva, hogy más étel átvegye a szagát.
- Tilos** - Az ajtót hosszú időre nyitva hagyni, ez a hűtőszekrényt károsíthatja. A hűtőszekrényt csak emberi fogyasztásra alkalmas élelmiszerek tárolására tervezték.

- Tilos-** A polcokat valamilyen védőanyaggal befedni, amely akadályozhatja a levegő áramlását.
- Tilos-** Mérgező vagy bármilyen veszélyes anyagot tárolni a készülékben. A készüléket csak emberi fogyasztásra alkalmas élelmiszerek tárolására tervezték.
- Tilos-** Olyan ételt fogyasztani, amely túl sokáig volt lefagyasztva.
- Tilos-** Főtt és friss ételt ugyanabban a tárolóban tárolni. Ezeket elkülönítve kell csomagolni és tárolni.
- Tilos-** Hagyni, hogy a felengedő étel vagy folyadékok rácsöpögjenek az ételre.

- A készülék nincs síkban – Használja a magasságbeállító lábakat vagy tegyen tömitést a lábak alá.
- A készülék nem áll szabadon – Kérjük, tartsa távol a készüléket a konyhai eszközöktől vagy egyéb berendezésektől.
- A fiókok vagy polcok lazák vagy ragadnak – Kérjük, ellenőrizze a kivehető elemeket, és igazítsa meg őket, ha szükséges.
- A palackok és/vagy tartályok egymáshoz érnek- Kérjük, helyezze egymástól távol a palackokat és/vagy tartályokat.

Információ az üzemeltetési zajokról

A kiválasztott hőmérséklet állandó szinten tartásához a készülék néha bekapcsolja a kompresszort.

Az ebből keletkező zajok teljesen normálisak. Amint a készülék elérte a működési hőmérsékletet, a zajok automatikusan halkulnak.

A zümmögő hangot a motor (kompresszor) adja. Ha a motor bekapcsol, a hangok rövid ideig hangosabbak lehetnek.

A bugyborékoló, bugyogó vagy bűgő zajokat a hűtőanyag bocsátja ki, amikor a csöveken keresztül folyik.


Amikor a hőszabályozó BE/KI kapcsolja a motort, mindig kattogó zaj hallható.

Kattogó zaj jelentkezik, ha

- az automatikus kiolvasztó rendszer aktív.
- a készülék lehűl vagy felmelegsik (anyagtágulás).

Ha ezek a zajok nagyon hangosak, valószínűleg nem komoly okokról van szó, és általában nagyon könnyű kiküszöbölni őket.



A terméken vagy a csomagoláson található  ábra azt jelzi, hogy a termék nem kezelhető háztartási hulladékként, hanem a megfelelő, az elektromos és elektronikus felszerelések újrahasznosítására létesült begyűjtő pontokban kell leadni. Ha gondoskodik a termék megfelelő leselejtezéséről, segít megelőzni azokat a környezetre és egészségre káros hatásokat, amelyeket a termék nem megfelelő leselejtezése eredményezne. A termék leselejtezésével kapcsolatos további részletekért forduljon a lakóhelyén található háztartási hulladék begyűjtőhöz vagy az áruházhoz, ahol a terméket megvásárolta.

Συγχαρητήρια για την επιλογή σας μιας Υψηλής Ποιότητας συσκευής **BEKO** που έχει σχεδιαστεί να σας εξυπηρετεί για πολλά χρόνια.

Η ασφάλεια προηγείται!

Μη συνδέσετε την συσκευή σας στο δίκτυο παροχής ηλεκτρικού ρεύματος έως ότου έχουν αφαιρεθεί όλα τα υλικά συσκευασίας και τα προστατευτικά μεταφοράς.

- Αφήστε τη σε όρθια θέση για τουλάχιστον 4 ώρες πριν την ενεργοποιήσετε, για να επιτρέψετε στο λάδι του συμπιεστή να κατακαθίσει.

- Αν απορρίπτετε μια παλιά συσκευή με κλειδαριά ή μανδάλωση στην πόρτα, σπάστε ή αχρηστέψτε την κλειδαριά για να βεβαιωθείτε ότι την έχετε αφήσει σε ασφαλή κατάσταση, ώστε να εμποδιστεί τυχόν παγίδευση παιδιών.

- Η συσκευή αυτή πρέπει να χρησιμοποιείται μόνο για την προβλεπόμενη χρήση της.

- Μην πετάξετε τη συσκευή σε φωτιά. Η συσκευή σας περιέχει στη μόνωση υλικά χωρίς χλωροφθοράνθρακες (CFC), τα οποία είναι εύφλεκτα. Συνιστούμε να απευθυνθείτε στις τοπικές σας αρχές για πληροφορίες ως προς τη σωστή απόρριψη και τις εγκαταστάσεις που διατίθενται για το σκοπό αυτό.

- Δεν συνιστούμε χρήση της συσκευής αυτής σε μη θερμαινόμενο, κρύο χώρο. (π.χ. γκαράζ, θερμοκήπιο, προσάρτημα κτιρίου, παράπηγμα, βοηθητικό κτίσμα κλπ.).

Για να έχετε την καλύτερη δυνατή απόδοση από τη συσκευή σας και λειτουργία χωρίς προβλήματα, είναι πολύ σημαντικό να διαβάσετε προσεκτικά αυτές τις οδηγίες. Η μη τήρηση των οδηγιών αυτών μπορεί να ακυρώσει το δικαίωμά σας να λαμβάνετε δωρεάν τεχνική εξυπηρέτηση κατά τη διάρκεια της εγγύησης.

Παρακαλούμε να φυλάξετε τις οδηγίες αυτές σε ασφαλές μέρος για να μπορείτε να τις συμβουλευέστε εύκολα.

Η συσκευή αυτή δεν προορίζεται για χρήση από άτομα με μειωμένες σωματικές, αισθητηριακές ή νοητικές ικανότητες ή από άτομα στερούμενα εμπειρίας και γνώσης εκτός και αν αυτά έχουν τύχει επίβλεψης ή εκπαίδευσης σχετικά με τη χρήση της συσκευής από άτομο υπεύθυνο για την ασφάλειά τους.

Τα παιδιά πρέπει να βρίσκονται υπό επίβλεψη, ώστε να εξασφαλίζεται ότι δεν θα παίζουν με τη συσκευή.

Απαιτήσεις παροχής ρεύματος

Πριν τοποθετήσετε το φιν στην πρίζα τοίχου, βεβαιωθείτε ότι η τάση και η συχνότητα που αναφέρονται στην πινακίδα στοιχείων στο εσωτερικό της συσκευής αντιστοιχούν με τις τιμές του ηλεκτρικού σας δικτύου.

Συνιστούμε αυτή η συσκευή να συνδεθεί στην παροχή ρεύματος δικτύου μέσω πρίζας με κατάλληλο διακόπτη και κατάλληλη ασφάλεια, που βρίσκεται σε εύκολα προσπελάσιμη θέση.

Προειδοποίηση! Η συσκευή αυτή πρέπει να γειωθεί.

Οι επισκευές σε ηλεκτρικό εξοπλισμό πρέπει να εκτελούνται μόνο από εξουσιοδοτημένο τεχνικό. Λανθασμένες επισκευές οι οποίες εκτελούνται από μη εξουσιοδοτημένα άτομα περικλείουν κινδύνους που μπορεί να έχουν κρίσιμες συνέπειες για το χρήστη της συσκευής.

ΠΡΟΣΟΧΗ!

Η συσκευή αυτή λειτουργεί με R600a που είναι ένα φιλικό προς το περιβάλλον αλλά εύφλεκτο αέριο. Κατά τη μεταφορά και εγκατάσταση του προϊόντος πρέπει να καταβληθεί φροντίδα ώστε να μην υποστεί ζημιά το ψυκτικό σύστημα. Αν το ψυκτικό σύστημα υποστεί ζημιά και υπάρξει διαρροή αερίου από το σύστημα, διατηρήστε το προϊόν μακριά από πηγές ανάφλεξης και αερίστε για λίγο το χώρο.

ΠΡΟΕΙΔΟΠΟΙΗΣΗ - Μην χρησιμοποιείτε μηχανικές διατάξεις ή άλλα μέσα για να επιταχύνετε τη διαδικασία της απόψυξης, εκτός από τα μέσα που συνιστά ο κατασκευαστής.

ΠΡΟΕΙΔΟΠΟΙΗΣΗ - Μην προξενήσετε ζημιά στο κύκλωμα του ψυκτικού μέσου.

ΠΡΟΕΙΔΟΠΟΙΗΣΗ - Μην χρησιμοποιείτε ηλεκτρικές συσκευές μέσα στους χώρους φύλαξης τροφίμων της συσκευής, εκτός εάν αυτές είναι του τύπου που συνιστά ο κατασκευαστής.

ΠΡΟΕΙΔΟΠΟΙΗΣΗ - Αν το καλώδιο τροφοδοσίας έχει υποστεί ζημιά, για να αποφύγετε κινδύνους, αυτό θα πρέπει να αντικατασταθεί από τον κατασκευαστή, τον αντιπρόσωπό του για τεχνική εξυπηρέτηση ή άλλα άτομα με παρόμοια εξουσιοδότηση.

Οδηγίες μεταφοράς

1. Η συσκευή θα πρέπει να μεταφέρεται μόνο σε όρθια θέση. Η συσκευασία του προϊόντος, όπως παραδίδεται από τον κατασκευαστή, θα πρέπει να παραμείνει άθικτη κατά τη μεταφορά.

2. Η συσκευή δεν θα πρέπει να τεθεί σε λειτουργία για τουλάχιστον 4 ώρες μετά την εγκατάσταση, ώστε να επιτραπεί στο σύστημα να επανέλθει στη σωστή κατάσταση. Μπορεί επίσης να χρειαστεί να περιμένετε πέντε λεπτά από τη στιγμή που θα συνδέσετε τη συσκευή στο ρεύμα μέχρι να την ενεργοποιήσετε.

3. Μη τήρηση των πιο πάνω οδηγιών θα μπορούσε να προκαλέσει ζημιά στη συσκευή, για την οποία δεν θα έχει την ευθύνη ο κατασκευαστής.

4. Η συσκευή πρέπει να προστατεύεται από τη βροχή, την υγρασία και το κρύο.

Σημαντική παρατήρηση!

- Θα πρέπει να φροντίζετε κατά τον καθαρισμό/μεταφορά της συσκευής να μην αγγίξετε το κάτω μέρος των μεταλλικών συρμάτων του συμπυκνωτή στην πίσω πλευρά της συσκευής, καθώς αυτό θα μπορούσε να προκαλέσει τραυματισμό στα δάκτυλα και τα χέρια.

- Μην καθίσετε ή σταθείτε πάνω στη συσκευή, γιατί δεν είναι κατασκευασμένη για τέτοια χρήση. Θα μπορούσατε να τραυματιστείτε ή να προξενήσετε βλάβη στη συσκευή.

ΠΡΟΕΙΔΟΠΟΙΗΣΗ - Βεβαιωθείτε ότι το καλώδιο ρεύματος δεν έχει πιαστεί κάτω από τη συσκευή στη διάρκεια ή μετά τη μετακίνησή της, γιατί αυτό θα μπορούσε να προξενήσει βλάβη στο καλώδιο.

- Μην επιτρέπετε σε παιδιά να παίζουν με τη συσκευή ή να πειράζουν τα συστήματα ελέγχου.

Οδηγίες εγκατάστασης

1. Μην έχετε τη συσκευή σε χώρο όπου υπάρχει πιθανότητα η θερμοκρασία να πέσει κάτω από τους 10 βαθμούς C (50 βαθμούς F) τη νύχτα και/ή ειδικά το χειμώνα, γιατί είναι σχεδιασμένη να λειτουργεί σε θερμοκρασίες περιβάλλοντος μεταξύ +10 και +43 βαθμών C (50 και 109 βαθμών F).

Σε χαμηλότερες θερμοκρασίες η συσκευή ενδέχεται να μη λειτουργεί, με αποτέλεσμα τη μείωση του χρόνου διατήρησης των τροφίμων.

2. Μην τοποθετείτε τη συσκευή κοντά σε κουζίνες, σώματα θέρμανσης ή σε άμεσο ηλιακό φως, γιατί θα προκληθεί πρόσθετο φορτίο στις λειτουργίες της συσκευής. Αν εγκατασταθεί δίπλα σε πηγή θερμότητας ή σε καταψύκτη, διατηρείτε τις ακόλουθες ελάχιστες πλευρικές αποστάσεις:

Από κουζίνες 30 χιλ.

Από σώματα θέρμανσης 300 χιλ.

Από καταψύκτες 25 χιλ.

3. Βεβαιωθείτε ότι υπάρχει αρκετός χώρος γύρω από τη συσκευή για να εξασφαλίζεται ανεμπόδιστη κυκλοφορία του αέρα **(σχήμα 2)**.

• Ανοίξτε την πόρτα του ψυγείου σας για να καθορίσετε την απόσταση μεταξύ του ψυγείου και του τοίχου **(σχήμα 3)**.

4. Η συσκευή θα πρέπει να τοποθετηθεί σε ομαλή επιφάνεια. Τα δύο μπροστινά πόδια μπορούν να ρυθμιστούν όπως απαιτείται. Για να βεβαιωθείτε ότι η συσκευή σας είναι σε κατακόρυφη θέση, ρυθμίστε τα δύο μπροστινά πόδια περιστρέφοντάς τα δεξιόστροφα ή αριστερόστροφα, μέχρι η συσκευή να είναι σε σταθερή επαφή με το δάπεδο. Η σωστή ρύθμιση των ποδιών συντελεί στην αποφυγή υπερβολικών κραδασμών και θορύβου **(σχήμα 4)**.

5. Για να προετοιμάσετε τη συσκευή σας για χρήση ανατρέξτε στην ενότητα "Καθαρισμός και φροντίδα".

Γνωρίστε τη συσκευή σας (σχήμα 1)

- 1 - Θερμοστάτης και περίβλημα λάμπας
- 2 - Ρυθμιζόμενα ράφια θαλάμου
- 3 - Υποστήριξη μπουκαλιών κρασιού
- 4 - Δοχείο συλλογής νερού
- 5 - Κάλυμμα συρταριών λαχανικών
- 6 - Συρτάρια λαχανικών
- 7 - Ρυθμιζόμενα πόδια
- 8 - Ράφι για βάζα
- 9 - Ράφι για μπουκάλια

Συνιστώμενη τακτοποίηση των τροφίμων στο ψυγείο

Οδηγίες για το πώς να επιτύχετε βέλτιστη διατήρηση και υγιεινή:

1. Η συσκευή αυτή προορίζεται για τη βραχυπρόθεσμη διατήρηση νωπών τροφίμων και ποτών.

2. Τα μαγειρευμένα φαγητά θα πρέπει να φυλάσσονται σε αεροστεγή δοχεία και διατηρούνται καλύτερα σε ένα από τα αφαιρούμενα ράφια.

3. Τα φρεσκοσυσκευασμένα κηπευτικά μπορούν να διατηρούνται σε ράφι. Τα φρέσκα φρούτα και λαχανικά θα πρέπει να καθαρίζονται και να διατηρούνται στα συρτάρια λαχανικών.

4. Τα μπουκάλια μπορούν να φυλάσσονται στο ειδικό τμήμα της πόρτας.

5. Για να φυλάξετε ωμό κρέας, συσκευάστε το σε σακούλες από πολυαιθυλένιο και τοποθετήστε τις σακούλες στο κάτω-κάτω ράφι. Μην επιτρέπεται να έρχεται σε επαφή με μαγειρευμένα φαγητά, για να αποφευχθεί η επιμόλυνση. Για λόγους ασφαλείας, διατηρείτε το ωμό κρέας μόνο για δύο ως τρεις ημέρες.

6. Για τη μέγιστη απόδοση, τα αφαιρούμενα ράφια δεν θα πρέπει να καλύπτονται με χαρτί ή άλλα υλικά, ώστε να επιτρέπεται η ελεύθερη κυκλοφορία του ψυχρού αέρα.

7. Τα ράφια διαθέτουν πίσω στοπ και σύστημα κλίσης για φύλαξη μπουκαλιών. Κατά τη ρύθμιση του ραφιού ανυψώστε το ώστε να φύγει από τις αυλακώσεις.

8. Για να δώστε κλίση σε ένα ράφι, τοποθετήστε το πίσω μέρος του ραφιού ένα επίπεδο πιο κάτω από το μπροστινό του μέρος. Για να αφαιρέσετε ένα ράφι με κλίση, πρώτα απασφαλίστε το πίσω μέρος από ένα επίπεδο πιο κάτω από το μπροστινό μέρος του ραφιού. Για να αφαιρέσετε ένα ράφι με κλίση, πρώτα ελευθερώστε το πίσω μέρος από τις αυλακώσεις και κατόπιν τραβήξτε το.

9. Μη διατηρείτε φυτικό λάδι στα ράφια της πόρτας. Διατηρείτε τα τρόφιμα συσκευασμένα, τυλιγμένα ή καλυμμένα. Αφήνετε τα καυτά φαγητά και ποτά να κρυσταλλώνουν πριν τα τοποθετήσετε στο ψυγείο. Μην αποθηκεύετε στο ψυγείο εκρηκτικά υλικά. Τα δοχεία με υγρά μεγάλης περιεκτικότητας σε οινόπνευμα πρέπει να αποθηκεύονται όρθια θέση και σφιχτά κλεισμένα. Τα υπόλοιπα φαγητών από κονσέρβα δεν θα πρέπει να διατηρούνται στο δοχείο της κονσέρβας.

10. Ορισμένα φρούτα και λαχανικά υφίστανται βλάβες αν διατηρηθούν σε θερμοκρασίες κοντά στους 0°C. Γι' αυτό τυλίγετε ανανάδες, πεπόνια, αγγούρια, τομάτες και παρόμοια προϊόντα σε σακούλες πολυαιθυλενίου.

Έλεγχος και ρύθμιση θερμοκρασίας

Η εσωτερική θερμοκρασία μπορεί να ρυθμιστεί με το κουμπί του θερμοστάτη. Οι θερμοκρασίες που επιτυγχάνονται μέσα στη συσκευή θα μπορούσαν να κυμαίνονται ανάλογα με τις συνθήκες χρήσης: θέση, θερμοκρασία περιβάλλοντος, συχνότητα ανοίγματος πόρτας, ποσότητα τροφίμων. Η θέση του κουμπιού θερμοστάτη θα τροποποιείται ανάλογα με τις συνθήκες αυτές. Γενικά, για θερμοκρασία περιβάλλοντος 25°C (77°F), το κουμπί θερμοστάτη θα ρυθμιστεί σε μια μεσαία θέση.

Αποφεύγετε θέσεις κουμπιού του θερμοστάτη που θα μπορούσαν να προκαλέσουν συνεχή λειτουργία της συσκευής. Αυτό θα μπορούσε να προκαλέσει μείωση της θερμοκρασίας κάτω από τους 0°C, με αποτέλεσμα να παγώσουν τα ποτά και τα νωπά τρόφιμα και να συσσωρευτεί υπερβολική ποσότητα πάγου στα εσωτερικά τοιχώματα. Όλα τα πιο πάνω θα μπορούσαν να επιφέρουν μείωση της απόδοσης ψύξης (αύξηση της κατανάλωσης ενέργειας).

Πριν τεθεί η συσκευή σε λειτουργία

Τελικός έλεγχος

Πριν αρχίσετε να χρησιμοποιείτε τη συσκευή ελέγξτε ότι:

1. Τα πόδια έχουν ρυθμιστεί ώστε η συσκευή να είναι εντελώς οριζόντια.
2. Το εσωτερικό είναι στεγνό και ο αέρας μπορεί να κυκλοφορεί ανεμπόδιστα στο πίσω μέρος.
3. Το εσωτερικό είναι καθαρό όπως συνιστάται στην ενότητα "Καθαρισμός και φροντίδα".
4. Το φως έχει συνδεθεί στην πρίζα και έχει ενεργοποιηθεί η παροχή ρεύματος. Όταν ανοιχτεί η πόρτα το εσωτερικό φως θα ανάψει.

Και έχετε υπόψη σας ότι:

5. Θα ακούσετε ένα θόρυβο καθώς ξεκινά η λειτουργία του συμπιεστή. Τα υγρά και τα αέρια που είναι στεγανά κλεισμένα στο ψυκτικό σύστημα μπορεί επίσης να δημιουργούν κάποιο θόρυβο, είτε λειτουργεί ο συμπιεστής είτε όχι. Αυτό είναι πολύ φυσιολογικό.

6. Ένας ελαφρός κυματισμός στο πάνω μέρος της καμπίνας είναι πολύ κανονικός λόγω της χρησιμοποιούμενης παραγωγικής διαδικασίας και δεν αποτελεί ελάττωμα.

7. Συνιστούμε να τοποθετείτε το κουμπί του θερμοστάτη σε μεσαία θέση και να παρακολουθείτε τη θερμοκρασία ώστε να βεβαιωθείτε ότι η συσκευή διατηρεί την επιθυμητή θερμοκρασία αποθήκευσης των τροφίμων (βλέπε ενότητα Έλεγχος και ρύθμιση θερμοκρασίας).

8. Μην τοποθετήσετε τρόφιμα στη συσκευή αμέσως μετά την ενεργοποίησή της. Περιμένετε έως ότου επιτευχθεί η σωστή θερμοκρασία διατήρησης των τροφίμων. Συνιστούμε να ελέγξετε τη θερμοκρασία με ένα ακριβές θερμόμετρο (βλέπε Έλεγχος και ρύθμιση θερμοκρασίας).

Απόψυξη

Το ψυγείο αυτό με χώρο συντήρησης αποψύχεται αυτόματα. Το νερό από την απόψυξη κυλάει στο σωλήνα αποστράγγισης μέσω ενός καναλιού συλλογής και εξατμίζεται αφού βρεθεί σε ειδικό δοχείο στο πίσω μέρος της συσκευής. **(σχήμα 5)**.

Κατά την απόψυξη, ενδέχεται να σχηματιστούν σταγονίδια νερού στο πίσω τοίχωμα του ψυγείου όπου βρίσκεται μη εμφανής συμπυκνωτής. Ορισμένα σταγονίδια μπορεί να παραμείνουν πάνω στην εσωτερική επένδυση και να παγώσουν πάλι μετά την ολοκλήρωση της απόψυξης. Μη χρησιμοποιείτε μυτερά ή αιχμηρά αντικείμενα όπως μαχαίρια ή πιρούνια για να αφαιρέσετε τα σταγονίδια που έχουν παγώσει. Αν, οποιαδήποτε στιγμή, το νερό της απόψυξης δεν αποστραγγίζεται από το κανάλι συλλογής, ελέγξτε μήπως ο σωλήνας αποστράγγισης έχει αποφραχθεί από υπολείμματα τροφίμων.

Μπορείτε να καθαρίσετε το σωλήνα αποστράγγισης σπρώχνοντας το ειδικό πλαστικό πώμα προς τα κάτω στο σωλήνα αποστράγγισης.

Ελέγξτε ότι ο σωλήνας έχει τοποθετηθεί σταθερά, με το άκρο του μέσα στο δίσκο συλλογής που βρίσκεται πάνω στο συμπιεστή, ώστε να εμποδίσετε να χυθεί το νερό στην ηλεκτρική εγκατάσταση ή το πάτωμα (σχήμα 6).

Αντικατάσταση της εσωτερικής λάμπας

Για αλλαγή της λάμπας φωτισμού του ψυγείου σας, καλέστε το τοπικό σας εξουσιοδοτημένο σέρβις.

Ο λαμπτήρας (οι λαμπτήρες) που χρησιμοποιεί αυτή η συσκευή δεν είναι κατάλληλος(-οι) για φωτισμό των οικιακών χώρων. Ο σκοπός αυτού του λαμπτήρα είναι να βοηθά το χρήστη να βρίσκει με ασφάλεια και άνεση τα τρόφιμα στη συντήρηση/κατάψυξη.

Οι λάμπες που χρησιμοποιούνται σε αυτή τη συσκευή πρέπει να είναι ανθεκτικές σε ακραίες φυσικές συνθήκες, όπως θερμοκρασίες κάτω από -20°C.

Αλλαγή θέσης της πόρτας

Προχωρήστε σύμφωνα με την σειρά των αριθμών (εικόνα 7).

Καθαρισμός και φροντίδα

1. Συνιστούμε πριν τον καθαρισμό να διακόπτετε την παροχή ρεύματος στην πρίζα και να βγάξετε το φως από την πρίζα.

2. Ποτέ μη χρησιμοποιήσετε για τον καθαρισμό οποιαδήποτε αιχμηρά εργαλεία ή υλικά που χαράζουν, σαπούνι, οικιακά καθαριστικά μέσα, απορρυπαντικά ή γυαλιστικά με κεριά.

3. Χρησιμοποιήστε χλιαρό νερό για να καθαρίσετε το περίβλημα της συσκευής και κατόπιν σκουπίστε το για να στεγνώσει.

4. Για να καθαρίσετε το εσωτερικό, χρησιμοποιήστε πανί που έχει υγρανθεί σε διάλυμα από μια κουταλιά τσαγιού μαγειρικής σόδας σε περίπου μισό λίτρο νερού. Κατόπιν σκουπίστε τις επιφάνειες για να στεγνώσουν.

5. Προσέξτε καλά να μην εισέλθει νερό στο περίβλημα του θερμοστάτη.

6. Εάν η συσκευή δεν πρόκειται να χρησιμοποιηθεί για μεγάλη χρονική περίοδο, απενεργοποιήστε την, αφαιρέστε όλα τα τρόφιμα, καθαρίστε την και αφήστε την πόρτα μισάνοιχτη.

7. Τυχόν σκόνη που έχει συσσωρευτεί στο συμπυκνωτή, που βρίσκεται στην πίσω πλευρά της συσκευής, θα πρέπει να αφαιρείται μια φορά το χρόνο με ηλεκτρική σκούπα.

8. Ελέγχετε τακτικά τις στεγανοποιήσεις στις πόρτες για να βεβαιωθείτε ότι είναι καθαρές και απαλλαγμένες από σωματίδια τροφίμων.

9. Ποτέ:

- Μην καθαρίζετε τη συσκευή με ακατάλληλα υλικά, π.χ. προϊόντα πετρελαϊκής βάσης.
- Μην την εκθέσετε με οποιονδήποτε τρόπο σε υψηλές θερμοκρασίες.

• Μην την τρίψετε με υλικά που χαράζουν.

10. Βεβαιωθείτε ότι ο ειδικός πλαστικός δίσκος συλλογής νερού απόψυξης στο πίσω μέρος της συσκευής είναι πάντα καθαρός. Αν θέλετε να αφαιρέσετε το δίσκο για να τον καθαρίσετε, ακολουθήστε τις εξής οδηγίες:

- Διακόψτε την παροχή ρεύματος στην πρίζα και τραβήξτε το φως από την πρίζα.

• Με μια πένσα απαλά αποσυνδέστε το στέλεχος στο συμπιεστή ώστε να μπορεί να αφαιρεθεί ο δίσκος.

- Σηκώστε το δίσκο για να βγει.

• Καθαρίστε τον και σκουπίστε τον για να στεγνώσει

- Τοποθετήστε τον πάλι, αντιστρέφοντας τη σειρά και τις ενέργειες

Τι πρέπει και τι δεν πρέπει να κάνετε

Πρέπει να Καθαρίζετε και να αποψύχετε τακτικά τη συσκευή σας.

Πρέπει να Διατηρείτε ωμό κρέας και ωμά πουλερικά σε κατώτερη θέση από μαγειρεμένο φαγητό και γαλακτοκομικά προϊόντα.

Πρέπει να Διατηρείτε τα τρόφιμα όσο το δυνατόν μικρότερο χρόνο και να τηρείτε τις ημερομηνίες που αναφέρονται στα σημεία "Καλύτερο πριν", "Κατανάλωση πριν" κλπ.

Πρέπει να Αφαιρείτε άχρηστα φύλλα από τα λαχανικά και να σκουπίζετε τυχόν ακαθαρσίες.

Πρέπει να Αφήνετε το μαρούλι, το λάχανο, το μαϊντανό και το κουνουπίδι με το κοτσάνι τους.

Πρέπει να Τυλίγετε το τυρί πρώτα σε χαρτί αδιαπέραστο σε λάδι και κατόπιν σε σακούλα πολυαιθυλενίου, προσπαθώντας να απομακρύνετε όσο το δυνατόν περισσότερο αέρα. Για βέλτιστα αποτελέσματα, βγάξτε το από το ψυγείο μια ώρα πριν την κατανάλωση.

Πρέπει να Τυλίγετε το ωμό κρέας και τα ωμά πουλερικά χαλαρά σε πλαστική μεμβράνη ή αλουμινόχαρτο. Αυτό εμποδίζει να χάσουν την υγρασία τους.

Πρέπει να Τυλίγετε τα ψάρια και τα εντόσθια σε σακούλες πολυαιθυλενίου.

Πρέπει να Τυλίγετε τρόφιμα με έντονη οσμή ή που κινδυνεύουν να χάσουν την υγρασία τους σε σακούλες πολυαιθυλενίου ή αλουμινόχαρτο ή να τα τοποθετείτε σε αεροστεγές δοχείο.

Πρέπει να Τυλίγετε το ψωμί καλά ώστε να διατηρείται φρέσκο.

Πρέπει να Ψύχετε λευκά κρασιά, μπύρα, μπύρα λάγκερ, μεταλλικό νερό πριν να τα σερβίρετε.

Δεν πρέπει να διατηρείτε μπανάνες στο χώρο συντήρησης του ψυγείου σας.

Δεν πρέπει να διατηρείτε πεπόνι στο ψυγείο σας. Μπορείτε να το παγώσετε για σύντομο χρονικό διάστημα διατηρώντας το τυλιγμένο για να αποφύγετε τη μετάδοση οσμής σε άλλα τρόφιμα.

Δεν πρέπει να αφήνετε την πόρτα ανοιχτή για μεγάλα χρονικά διαστήματα, γιατί αυτό θα αυξήσει την κατανάλωση του ψυγείου με χώρο συντήρησης. Το ψυγείο σας έχει σχεδιαστεί για τη φύλαξη μόνο τροφίμων.

Δεν πρέπει να καλύπτετε τα ράφια με οποιαδήποτε προστατευτικά υλικά που μπορεί να εμποδίζουν την κυκλοφορία του αέρα.

Δεν πρέπει να αποθηκεύετε δηλητηριώδεις ή οποιοσδήποτε επικίνδυνες ουσίες στη συσκευή σας. Έχει σχεδιαστεί μόνο για τη διατήρηση τροφίμων.

Δεν πρέπει να καταναλώνετε τρόφιμα που έχουν διατηρηθεί στο ψυγείο για υπερβολικά μεγάλο χρονικό διάστημα.

Δεν πρέπει να διατηρείτε μαγειρεμένα και νωπά τρόφιμα μαζί στο ίδιο δοχείο. Θα πρέπει να συσκευάζονται και να διατηρούνται ξεχωριστά.

Δεν πρέπει να αφήνετε υγρά από απόψυξη ή από τρόφιμα να στάζουν πάνω σε άλλα τρόφιμα.

Πληροφορίες για τους θορύβους λειτουργίας

Για να διατηρήσει σταθερή την επιλεγμένη θερμοκρασία, η συσκευή σας περιοδικά ενεργοποιεί το συμπιεστή.

Οι θόρυβοι που προκύπτουν είναι πολύ φυσιολογικοί.

Όταν η συσκευή επιτύχει τη θερμοκρασία λειτουργίας, η ένταση των θορύβων αυτόματα μειώνεται.

Ο βόμβος προέρχεται από το μοτέρ (συμπιεστή). Όταν ενεργοποιείται το μοτέρ, η ένταση του ήχου μπορεί να αυξηθεί για λίγο.

Ο θόρυβος, φυσαλίδων, γουργουρητού ή συριγμού εκπέμπονται από το ψυκτικό μέσο, καθώς αυτό κυλά με'σα στους σωλήνες.

Ο θόρυβος τύπου κλικ μπορεί να ακούγεται πάντα όταν ο θερμοστάτης ενεργοποιεί/απενεργοποιεί το μοτέρ.

Ένας θόρυβος κλικ μπορεί να προκύψει όταν - το αυτόματο σύστημα απόψυξης είναι ενεργό.

- η συσκευή κρυώνει ή θερμαίνεται (διαστολή υλικών).

Αν αυτοί οι θόρυβοι είναι υπερβολικά δυνατοί, οι αιτίες κατά πάσα πιθανότητα δεν είναι σοβαρές και είναι εύκολο να εξαλειφθούν.

- Η συσκευή δεν είναι οριζόντια - Χρησιμοποιήστε τα ρυθμιζόμενου ύψους πόδια ή τοποθετήστε υπόθεμα κάτω από τα πόδια.
- Η συσκευή δεν είναι αυτόνομη - Μετακινήστε τη συσκευή μακριά από μονάδες κουζίνας ή άλλες συσκευές.


- Συρτάρια ή ράφια είναι χαλαρά ή κολλάνε. Ελέγξτε τα αποσπώμενα εξαρτήματα και αν χρειάζεται επανατοποθετήστε τα.
- Μπουκάλια και/ή υποδοχές έρχονται σε επαφή - Μετακινήστε τις μπουκάλες και/ή τις υποδοχές από μεταξύ τους.

Αντιμετώπιση προβλημάτων

Αν η συσκευή δεν λειτουργεί όταν την ενεργοποιήσετε, ελέγξτε:

- Ότι το φως έχει τοποθετηθεί σωστά στην πρίζα και είναι ενεργοποιημένη η παροχή ρεύματος (για να ελέγξετε την παροχή ρεύματος στην πρίζα, συνδέστε μια άλλη συσκευή)
 - Μήπως έχει καεί η ασφάλεια/έχει πέσει ο διακόπτης ασφαλείας/έχει απενεργοποιηθεί ο γενικός διακόπτης ρεύματος.
 - Ότι η ρύθμιση θερμοκρασίας έχει γίνει σωστά.
 - Ότι η καλωδίωση τυχόν νέου φως είναι σωστή, σε περίπτωση που έχετε αντικαταστήσει το εγκατεστημένο, χυτό φως.
- Αν η συσκευή συνεχίζει να μη λειτουργεί καθόλου μετά τους πιο πάνω ελέγχους, επικοινωνήστε με το κατάστημα από το οποίο προμηθευτήκατε τη μονάδα. Παρακαλούμε βεβαιωθείτε ότι έχετε διενεργήσει τους παραπάνω ελέγχους, καθώς θα υπάρξει χρέωση ακόμα κι αν δεν διαπιστωθούν βλάβες.



Το σύμβολο  στο προϊόν ή στη συσκευασία του δηλώνει ότι δεν επιτρέπεται να πετάξετε το προϊόν αυτό στα κοινά οικιακά απορρίμματα. Αντίθετα θα πρέπει να παραδοθεί στο αρμόδιο σημείο συλλογής για την ανακύκλωση ηλεκτρικών και ηλεκτρονικών συσκευών. Εξασφαλίζοντας τη σωστή απόρριψη του προϊόντος, θα βοηθήσετε στην πρόληψη ενδεχόμενων αρνητικών συνεπειών για το περιβάλλον και την ανθρώπινη υγεία, που αλλιώς θα μπορούσαν να προκληθούν από ακατάλληλο χειρισμό του προϊόντος αυτού ως αποβλήτου. Αν θέλετε να μάθετε περισσότερες λεπτομέρειες σχετικά με την ανακύκλωση αυτού του προϊόντος, απευθυνθείτε στην τοπική σας δημοτική αρχή, στην υπηρεσία αποκομιδής οικιακών απορριμμάτων ή στο κατάστημα όπου προμηθευτήκατε το προϊόν.

