

REFRIGERATOR-FREEZER

USER'S MANUAL

PHILCO



Famous for Quality the World Over

PCN 310 EW

PCN 310 EX

Dear customer,

Thank you for buying a PHILCO brand product. So that your appliance serves you well, please read all the instructions in this user's manual.

CONTENTS

- PART 1: SAFETY INFORMATION.....2**
 - 1.1 Meanings of safety warning symbols12
 - 1.2 Electricity related warnings12
 - 1.3 Warnings for using13
 - 1.4 Warnings for placement.....14

- PART 2: PROPER USE OF THE REFRIGERATOR..... 15**
 - 2.1 Placement15
 - 2.2 Leveling of appliance.....16
 - 2.3 Door Right-Left Change.....17
 - 2.4 Changing the light.....20
 - 2.5 Starting20
 - 2.6 Energy saving tips.....20

- PART 3: STRUCTURE AND FUNCTIONS.....21**
 - 3.1 Key components.....21
 - 3.2 Functions.....22

- PART 4: MAINTENANCE AND CARE OF THE REFRIGERATOR.....24**
 - 4.1 Overall cleaning.....24
 - 4.2 Defrosting25
 - 4.3 Out of operation.....25

- PART 5: TROUBLESHOOTING26**

- PART 6: PRODUCT INFORMATION SHEET27**

CE This appliance has been tested in accordance with the directives in force in the European Union.
This appliance conforms to the relevant safety provisions for electrical appliances in force in the European Union.

PART 1: SAFETY INFORMATION



FOR YOUR SAFETY AND CORRECT USAGE, BEFORE INSTALLING AND FIRST USING THE APPLIANCE, READ THIS USER MANUAL CAREFULLY, INCLUDING ITS HINTS AND WARNINGS. TO AVOID UNNECESSARY MISTAKES AND ACCIDENTS, IT IS IMPORTANT TO MAKE SURE THAT ALL PEOPLE USING THE APPLIANCE ARE THOROUGHLY FAMILIAR WITH ITS OPERATION AND SAFETY FEATURES. SAVE THESE INSTRUCTIONS AND BE SURE THAT THEY REMAIN WITH THE APPLIANCE IF IT IS MOVED OR SOLD, SO THAT ANYONE USING IT THROUGHOUT ITS LIFE, WILL BE PROPERLY INFORMED ON ITS USAGE AND SAFETY NOTICES. FOR THE SAFETY OF LIFE AND PROPERTY, KEEP THE PRECAUTIONS OF THESE USER'S INSTRUCTIONS AS THE MANUFACTURER IS NOT RESPONSIBLE FOR DAMAGES CAUSED BY OMISSION.

- THIS APPLIANCE CAN BE USED BY CHILDREN AGED FROM 8 YEARS AND ABOVE AND PERSONS WITH REDUCED PHYSICAL, SENSORY OR MENTAL CAPABILITIES OR LACK OF EXPERIENCE AND KNOWLEDGE IF THEY HAVE BEEN GIVEN SUPERVISION OR INSTRUCTION CONCERNING USE OF THE APPLIANCE IN A SAFE WAY AND UNDERSTAND THE HAZARDS INVOLVED.
- CHILDREN AGED FROM 3 TO 8 YEARS ARE ALLOWED TO LOAD AND UNLOAD REFRIGERATING APPLIANCES.
- CHILDREN SHALL NOT PLAY WITH THE APPLIANCE.
- CLEANING AND USER MAINTENANCE CANNOT BE PERFORMED BY CHILDREN WITHOUT SUPERVISION.

● IF THE SUPPLY CABLE GETS DAMAGED, HAVE IT REPLACED BY A SPECIALIZED SERVICE CENTER IN ORDER TO AVOID DANGEROUS SITUATIONS. IT IS PROHIBITED TO USE THE APPLIANCE WHEN THE SUPPLY CABLE IS DAMAGED.

● **WARNING:** THE VENTILATION OPENINGS IN THE APPLIANCE HOUSING OR IN ITS CONSTRUCTION MUST BE KEPT FREE.

● **WARNING:** DO NOT USE MECHANICAL DEVICES OR OTHER MEANS TO ACCELERATE THE DEFROSTING PROCESS, OTHER THAN THOSE RECOMMENDED BY THE MANUFACTURER.

● **WARNING:** DO NOT DAMAGE THE REFRIGERANT CIRCUIT.

● **WARNING:** DO NOT USE ELECTRICAL APPLIANCES INSIDE THE FOOD STORAGE COMPARTMENTS OF THE APPLIANCE, UNLESS THEY ARE OF THE TYPE RECOMMENDED BY THE MANUFACTURER.

● **WARNING:** DO NOT STORE EXPLOSIVE SUBSTANCES SUCH AS AEROSOL CANS WITH A FLAMMABLE PROPELLANT IN THIS APPLIANCE.



ISO 7000-1701 MARK (2004-01)
LABELS MEDIA UNDER PRESSURE.

THIS APPLIANCE IS INTENDED TO BE USED IN HOUSEHOLDS AND SIMILAR PREMISES, SUCH AS:

- KITCHENETTES IN SHOPS, OFFICES AND OTHER WORKPLACES;
- APPLIANCES USED BY GUESTS IN HOTELS, MOTELS, AND OTHER ACCOMMODATION FACILITIES;
- APPLIANCES USED IN BED-AND-BREAKFAST FACILITIES;
- APPLIANCES USED IN CATERING AND OTHER SIMILAR NON-VENDING ENVIRONMENTS.

● **CAUTION:** THE APPLIANCE MUST BE FASTENED IN ACCORDANCE WITH THE MANUAL TO PREVENT DANGER CAUSED BY ITS INSTABILITY.



WARNING :
RISK OF FIRE / FLAMMABLE MATERIALS

CONTAINS COOLING GAS ISOBUTANE

R600a

REFRIGERANT

THE REFRIGERANT ISOBUTENE (R600a) IS CONTAINED WITHIN THE REFRIGERANT CIRCUIT OF THE APPLIANCE, A NATURAL GAS WITH A HIGH LEVEL OF ENVIRONMENTAL COMPATIBILITY, WHICH IS NEVERTHELESS FLAMMABLE. DURING TRANSPORTATION AND INSTALLATION OF THE APPLIANCE, ENSURE THAT NONE OF THE COMPONENTS OF THE REFRIGERANT CIRCUIT BECOMES DAMAGED. THE REFRIGERANT (R600a) IS FLAMMABLE.

● **WARNING** — REFRIGERATORS CONTAIN REFRIGERANT AND GASES IN THE INSULATION. REFRIGERANT AND GASES MUST BE DISPOSED OF PROFESSIONALLY AS THEY MAY CAUSE EYE INJURIES OR IGNITION. ENSURE THAT TUBING OF THE REFRIGERANT CIRCUIT IS NOT DAMAGE PRIOR TO PROPER DISPOSAL.



THE SYMBOL  IS A WARNING AND INDICATES THE REFRIGERANT AND INSULATION BLOWING GAS ARE FLAMMABLE.

WARNING : RISK OF FIRE / FLAMMABLE MATERIALS

IF THE REFRIGERANT CIRCUIT SHOULD BE DAMAGED:

- AVOID OPENING FLAMES AND SOURCES OF IGNITION.
- THOROUGHLY VENTILATE THE ROOM IN WHICH THE APPLIANCE IS SITUATED.

IT IS DANGEROUS TO ALTER THE SPECIFICATIONS OR MODIFY THIS PRODUCT IN ANY WAY.

ANY DAMAGE TO THE CORD MAY CAUSE A SHORT CIRCUIT, FIRE, AND/OR ELECTRIC SHOCK.

● **CAUTION:** WHEN PLACING THE APPLIANCE IT MUST BE ENSURED THAT THE SUPPLY CORD DOES NOT GET CAUGHT OR DAMAGED.

● **CAUTION:** DO NOT PLACE PORTABLE MULTIPLE SOCKET-OUTLETS OR PORTABLE EXTENSION CABLES TO THE REAR SIDE OF THE APPLIANCE.

CONTACT THE SERVICE CENTRE FOR REPAIRS OR LIGHTING REPLACEMENT.

● OPENING THE DOOR FOR LONGED PERIODS OF TIME CAN CAUSE A SIGNIFICANT INCREASE IN TEMPERATURE WITHIN THE APPLIANCE.

● SURFACES THAT MAY COME INTO CONTACT WITH FOOD AND ACCESSIBLE DRAINAGE SYSTEMS SHOULD BE CLEANED REGULARLY.

● IN THE REFRIGERATOR, RAW MEAT AND FISH MUST BE STORED IN APPROPRIATE PACKAGING SO THAT THEY DON'T COME INTO CONTACT WITH OTHER FOOD OR DRIP ONTO IT.

● TWO STAR FREEZER COMPARTMENTS ARE SUITABLE FOR STORING PRE-FROZEN FOODS, FOR STORING OR PRODUCTION OF ICE CREAM AND FOR PRODUCTION OF ICE CUBES.

● ONE, TWO AND THREE STAR COMPARTMENTS ARE NOT SUITABLE FOR FREEZING FRESH FOOD.

IF THE COOLING APPLIANCE IS LEFT EMPTY FOR A LONGER PERIOD OF TIME, IT SHOULD BE SWITCHED OFF, DEFROSTED, CLEANED AND DRIED AND THE DOOR SHOULD BE LEFT OPEN TO PREVENT MOULD FROM FORMING INSIDE THE APPLIANCE.



ELECTRICAL SAFETY

1. THE POWER CORD MUST NOT BE LENGTHENED.
2. MAKE SURE THAT THE POWER PLUG IS NOT CRUSHED OR DAMAGED.
A CRUSHED OR DAMAGED POWER PLUG MAY OVERHEAT AND CAUSE A FIRE.
3. MAKE SURE THAT YOU CAN ACCESS THE MAIN PLUG OF THE APPLIANCE.
4. DO NOT PULL THE MAIN CABLE.
5. IF THE POWER PLUG SOCKET IS LOOSE, DO NOT INSERT THE POWER PLUG. THERE IS A RISK OF ELECTRIC SHOCK OR FIRE.
6. YOU MUST NOT OPERATE THE APPLIANCE WITHOUT THE INTERIOR LIGHTING LAMP COVER.
7. THE FRIDGE IS ONLY APPLIED WITH POWER SUPPLY OF SINGLE PHASE ALTERNATING CURRENT OF 220~240V/50HZ. IF FLUCTUATION OF VOLTAGE IN THE DISTRICT OF USER IS SO LARGE THAT THE VOLTAGE EXCEEDS THE ABOVE SCOPE, FOR SAFETY SAKE, BE SURE TO APPLY A.C. AUTOMATIC VOLTAGE REGULATOR OF MORE THAN 350W TO THE FRIDGE.

THE FRIDGE MUST EMPLOY A SPECIAL POWER SOCKET INSTEAD OF COMMON ONE WITH OTHER ELECTRIC APPLIANCES. ITS PLUG MUST MATCH THE SOCKET WITH GROUND WIRE.

DAILY USE

- DO NOT STORE FLAMMABLE GAS OR LIQUIDS IN THE APPLIANCE, THERE IS A RISK OF AN EXPLOSION.
- DO NOT OPERATE ANY ELECTRICAL APPLIANCES IN THE APPLIANCE (E.G. ELECTRIC ICE CREAM MAKERS, MIXERS ETC.).
- WHEN UNPLUGGING ALWAYS PULL THE PLUG FROM THE MAINS SOCKET, DO NOT PULL ON THE CABLE.
- DO NOT PLACE HOT ITEMS NEAR THE PLASTIC COMPONENTS OF THIS APPLIANCE.
- DO NOT PLACE FOOD PRODUCTS DIRECTLY AGAINST THE AIR OUTLET ON THE REAR WALL.
- STORE PRE-PACKED FROZEN FOOD IN ACCORDANCE WITH THE FROZEN FOOD MANUFACTURE'S INSTRUCTIONS.
- THE APPLIANCES MANUFACTURES STORAGE RECOMMENDATIONS SHOULD BE STRICTLY ADHERED TO. REFER TO RELEVANT INSTRUCTIONS FOR STORAGE.
- DO NOT PLACE CARBONATED OR FIZZY DRINKS IN THE FREEZER COMPARTMENT AS IT CREATES PRESSURE ON THE CONTAINER, WHICH MAY CAUSE IT TO EXPLODE, RESULTING IN DAMAGE TO THE APPLIANCE.
- FROZEN FOOD CAN CAUSE FROST BURNS IF CONSUMED STRAIGHT FROM THE FREEZER COMPARTMENT.
- DO NOT PLACE THE APPLIANCE IN DIRECT SUNLIGHT.
- KEEP BURNING CANDLES, LAMPS AND OTHER ITEMS WITH NAKED FLAMES AWAY FROM THE APPLIANCE SO THAT DO NOT SET THE APPLIANCE ON FIRE.

- THE APPLIANCE IS INTENDED FOR KEEPING FOOD STUFF AND/OR BEVERAGES IN NORMAL HOUSEHOLD AS EXPLAINED IN THIS INSTRUCTION BOOKLET. YOU SHOULD TAKE CARE WHEN MOVE IT AS THE APPLIANCE IS HEAVY.
- DO NOT REMOVE OR TOUCH ITEMS FROM THE FREEZER COMPARTMENT IF YOUR HANDS ARE DAMP/WET, AS THIS COULD CAUSE SKIN ABRASIONS OR FROST/FREEZER BURNS.
- NEVER USE THE BASE, DRAWERS, DOORS ETC. TO STAND ON OR AS SUPPORTS.
- FROZEN FOOD MUST NOT BE REFROZEN ONCE IT HAS BEEN THAWED OUT.
- DO NOT CONSUME ICE POPSICLES OR ICE CUBES STRAIGHT FROM THE FREEZER AS THIS CAN CAUSE FREEZER BURN TO THE MOUTH AND LIPS.
- TO AVOID ITEMS FALLING AND CAUSING INJURY OR DAMAGE TO THE APPLIANCE, DO NOT OVERLOAD THE DOOR RACKS OR PUT TOO MUCH FOOD IN THE CRISPER DRAWERS.




INSTALLATION

IMPORTANT!

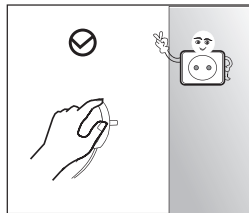
- FOR ELECTRICAL CONNECTION CAREFULLY, FOLLOW THE INSTRUCTIONS GIVEN IN THIS MANUAL. UNPACK THE APPLIANCE AND CHECK IF THERE ARE DAMAGES ON IT.
- DO NOT CONNECT THE APPLIANCE IF IT IS DAMAGED. REPORT POSSIBLE DAMAGES IMMEDIATELY TO THE PLACE YOU BOUGHT IT. IN THIS CASE RETAIN PACKING.
- IT IS ADVISABLE TO WAIT AT LEAST FOUR HOURS BEFORE CONNECTING THE APPLIANCE TO ALLOW THE OIL TO FLOW BACK IN THE COMPRESSOR.
- ADEQUATE AIR CIRCULATION SHOULD BE AROUND THE APPLIANCE, LACKING THIS LEADS TO OVERHEATING. TO ACHIEVE SUFFICIENT VENTILATION, FOLLOW THE INSTRUCTIONS RELEVANT TO INSTALLATION.
- WHEREVER POSSIBLE THE BACK OF THE PRODUCT SHOULD NOT BE TOO CLOSE TO A WALL TO AVOID TOUCHING OR CATCHING WARM PARTS (COMPRESSOR, CONDENSER) TO PREVENT THE RISK OF A FIRE, FOLLOW THE INSTRUCTIONS RELEVANT TO INSTALLATION.
- THE APPLIANCE MUST NOT BE LOCATE CLOSE TO RADIATORS OR COOKERS.
- MAKE SURE THAT THE MAINS PLUG IS ACCESSIBLE AFTER THE INSTALLATION OF THE APPLIANCE.
- PLACE ALL PACKAGING MATERIALS OUT OF THE REACH OF CHILDREN, THERE IS A RISK OF SUFFOCATION.
- THE INTERIOR OF YOUR REFRIGERATOR / FREEZER MAY SMELL BEFORE FIRST USE. THIS IS NORMAL. THE ODOR DISAPPEARS AS SOON AS THE APPLIANCE STARTS TO COOL / FREEZE.

- BEFORE CONNECTING THE REFRIGERATOR I FREEZER, MAKE SURE THAT THE MAINS VOLTAGE CORRESPONDS TO THE REQUIREMENTS FOR CONNECTING THE REFRIGERATOR / FREEZER. IF IN DOUBT, CONSULT A QUALIFIED ELECTRICIAN.
- THE APPLIANCE MUST BE CONNECTED TO A SOCKET WITH THE APPROPRIATE VOLTAGE AND A CORRECTLY INSTALLED FUSE SOCKET.
- THE REFRIGERATOR I FREEZER MUST NOT BE PLACED OUTDOORS OR EXPOSED TO RAIN.
- THE REFRIGERATOR I FREEZER MUST BE LOCATED AT LEAST 50CM FROM HEATERS, ELECTRIC OVENS, GAS OVENS, ETC.
- IF THE REFRIGERATOR WITH FREEZER IS LOCATED NEXT TO THE FREEZER, THERE MUST BE A MIN. 2CM SPACING.
- DO NOT PLACE HEAVY OBJECTS ON THE REFRIGERATOR / FREEZER, DO NOT COVER IT.
- ABOVE THE FRIDGE / FREEZER THERE MUST BE A MIN. 100 - 150 MM FREE SPACE.
- THIS APPLIANCE IS MADE FOR DOMESTIC USE AND IS ONLY SUITABLE FOR COOLING / FREEZING FOOD. NOT SUITABLE FOR COMMERCIAL USE AND / OR STORAGE OF SUBSTANCES OTHER THAN FOOD. THE MANUFACTURER IS NOT LIABLE FOR ANY LOSSES CAUSED BY IMPROPER USE OF THE APPLIANCE.

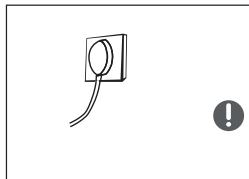
1.1 Meanings of safety warning symbols

 Prohibition symbol	This is a prohibition symbol. Any incomppliance with instructions marked with this symbol may result in damage to the product or endanger the personal safety of the user.
 Warning symbol	This is a warning symbol. It is required to operate in strict observance of instructions marked with this symbol; or otherwise damage to the product or personal injury may be caused.
 Note symbol	This is a cautioning symbol. Instructions marked with this symbol require special caution. Insufficient caution may result in slight or moderate injury, or damage to the product.

1.2 Electricity related warnings



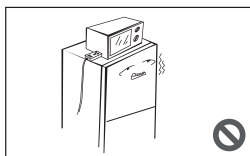
- Do not pull the power cord when pulling the power plug of the refrigerator. Please firmly grasp the plug and pull out it from the socket directly.
- To ensure safe use, do not damage the power cord or use the power cord when it is damaged or worn.



- Please use a dedicated power socket and the power socket shall not be shared with other electrical appliances.
- The power plug should be firmly contacted with the socket or else fires might be caused.
- Please ensure that the grounding electrode of the power socket is equipped with a reliable grounding line.

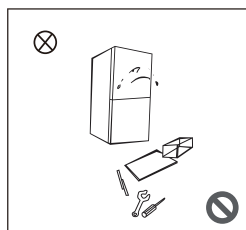


- Please turn off the valve of the leaking gas and then open the doors and windows in case of leakage of gas and other flammable gases.

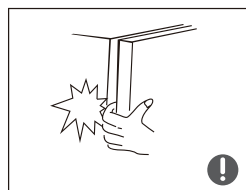


- Do not use electrical appliances on the top of the appliance, unless they are of the type recommended by the manufacturer.

1.3 Warnings for using



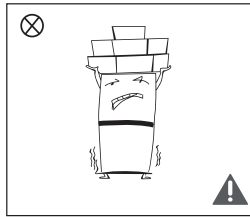
- Do not arbitrarily disassemble or reconstruct the refrigerator, nor damage the refrigerant circuit; maintenance of the appliance must be conducted by a specialist
- Damaged power cord must be replaced by the manufacturer, its maintenance department or related professionals in order to avoid danger.



- The gaps between refrigerator doors and between doors and refrigerator body are small, be noted not to put your hand in these areas to prevent from squeezing the finger. Please be gentle when close the refrigerator door to avoid falling articles.
- Do not pick foods or containers with wet hands in the freezing chamber when the refrigerator is running, especially metal containers in order to avoid frostbite.

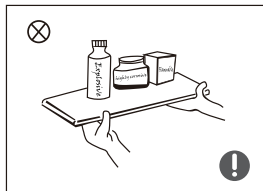


- Do not allow any child to get into or climb the refrigerator; otherwise suffocation or falling injury of the child may be caused.

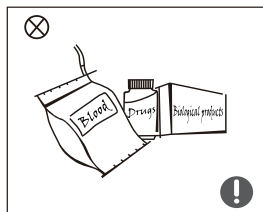


- Do not place heavy objects on the top of the refrigerator considering that objectives may fall when close or open the door, and accidental injuries might be caused.

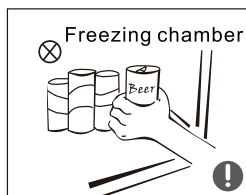
1.4 Warnings for placement



- Do not put flammable, explosive, volatile and highly corrosive items in the refrigerator to prevent damages to the product or fire accidents.
- Do not place flammable items near the refrigerator to avoid fires.



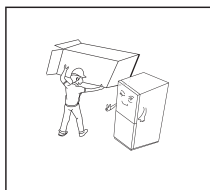
- The refrigerator is intended for household use, such as storage of foods; it shall not be used for other purposes, such as storage of blood, drugs or biological products, etc.



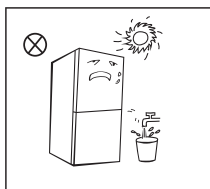
- Do not store beer, beverage or other fluid contained in bottles or enclosed containers in the freezing chamber of the refrigerator; or otherwise the bottles or enclosed containers may crack due to freezing to cause damages.

PART 2: PROPER USE OF THE REFRIGERATOR

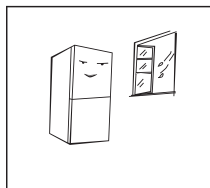
2.1 Placement



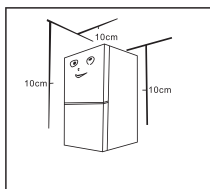
- Before use, remove all packing materials, including bottom cushions, foam pads and tapes inside of the refrigerator; tear off the protective film on the doors and the refrigerator body.



- Keep away from heat and avoid direct sunlight. Do not place the freezer in moist or watery places to prevent rust or reduction of insulating effect.
- Do not spray or wash the refrigerator; do not put the refrigerator in moist places easy to be splashed with water so as not to affect the electrical insulation properties of the refrigerator.



- The refrigerator is placed in a well-ventilated indoor place; the ground shall be flat, and sturdy (rotate left or right to adjust the wheel for leveling if unstable).



- The top space of the refrigerator shall be greater than 10cm, and the refrigerator should be placed against a wall with a free distance more than 10cm to facilitate heat dissipation.

Climate class and meaning:

Description	Class	Ambient temperature °C
Expanded	SN	+10 to +32
Temperate	N	+16 to +32
Subtropical	ST	+16 to +38
Tropical	T	+16 to +43

Extended temperate: this refrigerating appliance is intended to be used at ambient temperatures ranging from 10 °C to 32 °C;

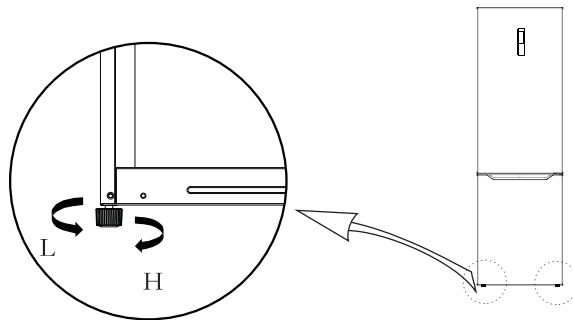
temperate: this refrigerating appliance is intended to be used at ambient temperatures ranging from 16 °C to 32 °C;

Subtropical: this refrigerating appliance is intended to be used at ambient temperatures ranging from 16 °C to 38 °C;

Tropical: this refrigerating appliance is intended to be used at ambient temperatures ranging from 16 °C to 43 °C;

2.2 Leveling of appliance

Schematic diagram of the leveling feet



(The picture above is only for reference. The actual configuration will depend on the physical product or statement by the distributor)

Adjusting procedures:

- Turn the feet clockwise to raise the refrigerator;
- Turn the feet counterclockwise to lower the refrigerator;
- Adjust the right and left feet based on the procedures above to a horizontal level.

2.3 Door Right-Left Change

List of tools to be provided by the user



Cross screwdriver



Putty knife thin-blade screwdriver

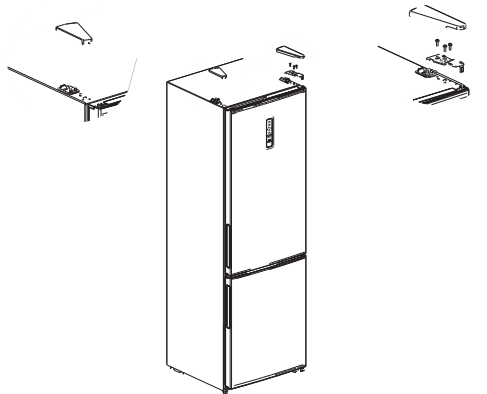


5/16"
socket and ratchet

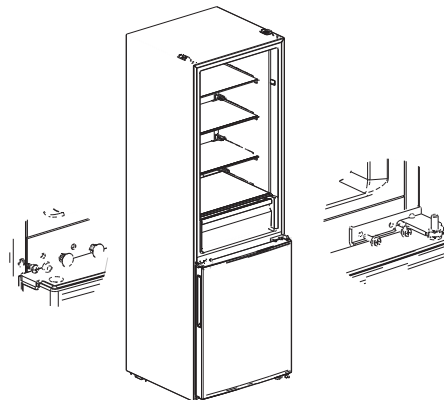


Masking tape

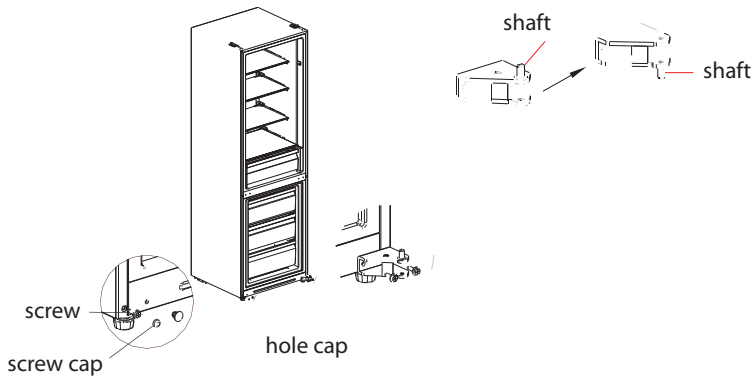
- 1) Please power off this appliance before conduct this operation Remove all food from door shelves.
- 2) Dismantle upper hinge cover, disconnect the signal wires .upper hinge and hole cap of the other side, remove the refrigerating door.



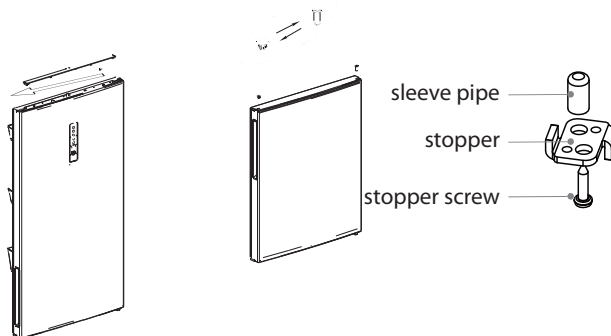
- 3) Dismantle the middle hinge, the screws ,the screws hole caps and remove the freezer door.



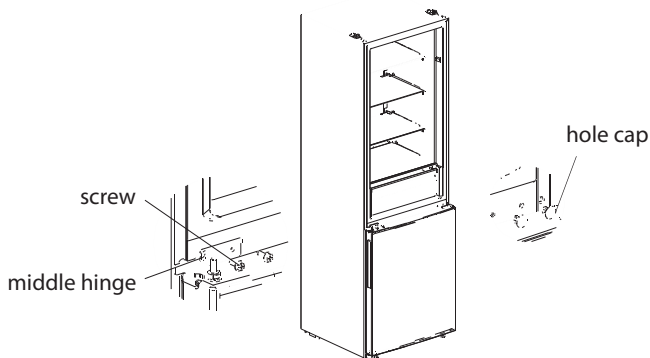
- 4) Dismantle the bottom hinge, hole caps and screws, Install the bottom hinge shaft on other side of the bottom hinge, then Install the hinge on the other side.



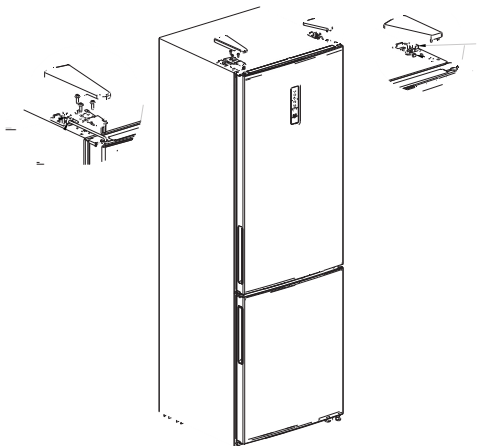
- 5) Dismantle the screws, sleeve pipe and stopper on the lower end cover of the two door bodies, and Install them successively on the other side of the door bodies (the stopper needs to be replaced from the additional bag). Then remove the upper end cover of the cooler door and switch the wire harness with a sleeve pipe to the other side of the door body. Finally Install the sleeve pipe of the upper hinge on the cooler door in the hole on the other side of upper end cover of the cooler door.



- 6) Put the freezer door on bottom hinge , install the middle hinge, the screws and the screw hole caps.



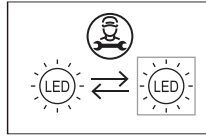
- 7) Place the door body for the refrigerator compartment on the middle hinge, then install the upper hinge to the other side of the cabinet, finally connect the terminals 1, 2 for the signal wires at the side of the upper hinge and terminals 3,4 on the other side and cover the hinge cover and hole cover.



The picture above is only for reference.

The actual configuration will depend on the physical product or statement by the distributor

2.4 Changing the light

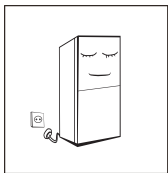


- Any replacement or maintenance of the LED lamps is intended to be made by the manufacturer, its service agent or similar qualified person.

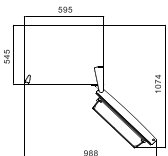
Light source in this product is replaceable only by qualified engineers.

	<p>1. Please take out the plug before removal.</p>		<p>2. Remove the lampshade with a screwdriver.</p>
	<p>3. Take down the lamp panel.</p>		<p>4. Remove the connection terminal.</p>

2.5 Starting



- Before putting any fresh or frozen foods, the refrigerator shall have run for 2-3 hours, or for above 4 hours in summer when the ambient temperature is high.
- Please pull out the plug in case of power failure or cleaning. Do not connect the freezer to power supply within five minutes to prevent damages to the compressor due to successive starts.



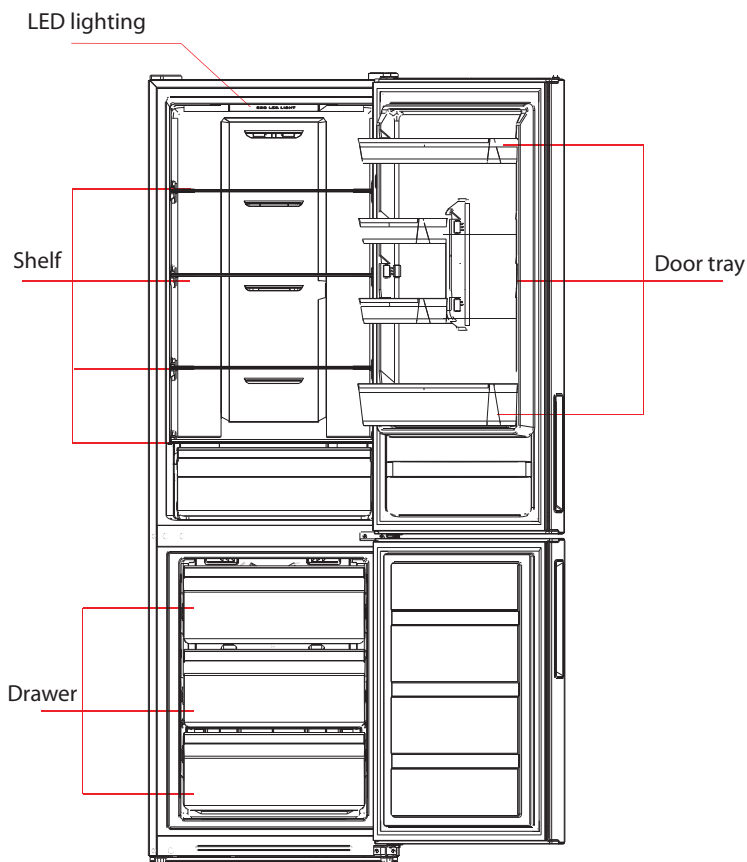
- Spare enough space for convenient opening of the doors and drawers or statement by the distributor.

2.6 Energy saving tips

- The appliance should be located in the coolest area of the room, away from heat producing appliances or heating ducts, and out of the direct sunlight.
- Let hot foods cool to room temperature before placing in the appliance. Overloading the appliance forces the compressor to run longer. Foods that freeze too slowly may lose quality, or spoil.
- Be sure to wrap foods properly, and wipe containers dry before placing them in the appliance. This cuts down on frost build-up inside the appliance.
- Appliance storage bin should not be lined with aluminum foil, wax paper, or paper toweling. Liners interfere with cold air circulation, making the appliance less efficient.
- Organize and label food to reduce door openings and extended searches. Remove as many items as needed at one time, and close the door as soon as possible.

PART 3: STRUCTURE AND FUNCTIONS

3.1 Key components



(The picture above is only for reference. The actual configuration will depend on the physical product or statement by the distributor!)

Refrigerating chamber

- The Refrigerating Chamber is suitable for storage of a variety of fruits, vegetables, beverages and other food consumed in the short term, suggested storage time 3 days to 5 days.
- Cooking foods shall not be put in the refrigerating chamber until cooled to room temperature.
- Foods are recommended to be sealed up before putting into the refrigerator.
- The glass shelves can be adjusted up or down for a reasonable amount of storage space and easy use.

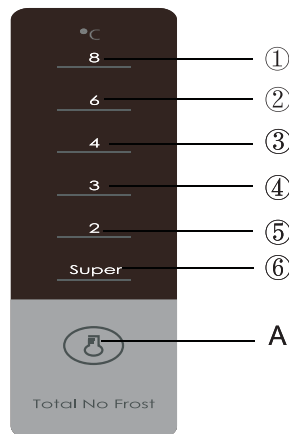
Freezing chamber

- The low temperature freezing chamber may keep food fresh for a long time and it is mainly used to store frozen foods and making ice.
- The freezing chamber is suitable for storage of meat, fish, rice balls and other foods not to be consumed in short term.
- Chunks of meat are preferably to be divided into small pieces for quick freezing and easy access.. Please be noted food shall be consumed within the shelf time.

Chill drawer

- Suitable for short term (1-3 days) to eat fresh fish, fresh meat, fresh food, etc.
- Near to the back and bottom of the of the drawer, food may be frozen, the food what should not be frozen can not be placed in.
- Food classification and sealing pack is suggested.
Drawers, food boxes, shelves, etc. placed according to the position in the picture above are the most energy efficient.

3.2 Functions



(The picture above is only for reference. The actual configuration will depend on the physical product or statement by the distributor)

1. Key

A. Temperature setting button

2. Display screen

- ① temperature setting 1
- ② temperature setting 2
- ③ temperature setting 3
- ④ temperature setting 4
- ⑤ temperature setting 5
- ⑥ temperature setting 6

3. Display

When power-on the refrigerator, the display screen (including the key light) will shine in full for 3s, then the refrigerator runs according to temperature setting 3.

Display of normal running

On the occurrence of a failure, the corresponding LED light will give a combined display of failure code (in recycling display);

Where there is no failure, the LED light will display the existing temperature setting.

4. Gear setting

The temperature setting will be changed once every time when you press the key SET. Then, the refrigerator will run under the new setting value after 15 s.

5 A.djustment of manual air damper knob

Turn the air damper slider up, the actual temperature inside the freezer room will drop,

Turn the air damper slider down, the actual temperature inside the freezer room will rise.

Setting 1 → Setting 2 → Setting 3 → Setting 4 → Setting 5 → Setting 6 → Setting 1 →

Fault indication

The following warnings appearing on the display indicate corresponding faults of the refrigerator.

Though the refrigerator may still have cold storage function with the following faults, the user shall contact a maintenance specialist for maintenance, so as to ensure optimized operation of the appliance.

Fault Code	Fault Description
The LED ① and LED ② lit	Refrigerator temperature sensor circuit
The LED ① and LED ③ lit	Freezer defrost sensor
The LED ① and LED ④ lit	Ambient temperature sensor

Note: The quick-freezing function is designed to maintain the nutritional value of the food in the freezer. It can freeze the food in the shortest time. If a large amount of food is frozen at one time, it is recommended that the user turn on the quick-freezing function and put the food in. At this time, the freezing speed of the freezer compartment is increased, which can quickly freeze the food, effectively lock the nutrition of the food, and facilitate storage.

PART 4: MAINTENANCE AND CARE OF THE REFRIGERATOR

4.1 Overall cleaning

- Dusts behind the refrigerator and on the ground shall be timely cleaned to improve the cooling effect and energy saving.
- Check the door gasket regularly to make sure there are no debris. Clean the door gasket with a soft cloth dampened with soapy water or diluted detergent.
- The interior of the refrigerator should be cleaned regularly to avoid odor.
- Please turn off the power before cleaning interior, remove all foods, drinks .shelves, drawers, etc.
- Use a soft cloth or sponge to clean the inside of the refrigerator, with two tablespoons of baking soda and a quart of warm water. Then rinse with water and wipe clean. After cleaning, open the door and let it dry naturally before turning on the power.
- For areas that are difficult to clean in the refrigerator (such as narrow sandwiches, gaps or corners), it is recommended to wipe them regularly with a soft rag, soft brush, etc. and when necessary, combined with some auxiliary tools (such as thin sticks) to ensure no contaminants or bacterials accumulation in these areas.
- Do not use soap, detergent, scrub powder, spray cleaner, etc., as these may cause odors in the interior of the refrigerator or contaminated food.
- Clean the bottle frame, shelves and drawers with a soft cloth dampened with soapy water or diluted detergent. Dry with a soft cloth or dry naturally.
- Wipe the outer surface of the refrigerator with a soft cloth dampened with soapy water, detergent, etc., and then wipe dry.
- Do not use hard brushes, clean steel balls, wire brushes, abrasives (such as toothpastes), organic solvents (such as alcohol, acetone, banana oil, etc.), boiling water, acid or alkaline items, which may damage the fridge surface and interior. Boiling water and organic solvents such as benzene may deform or damage plastic parts.
- Do not rinse directly with water or other liquids during cleaning to avoid short circuits or affect electrical insulation after immersion.



Please unplug the refrigerator for defrost and cleaning.

4.2 Defrosting

- The refrigerator is made based on the air-cooling principle and thus has automatic defrosting function. Frost formed due to change of season or temperature may also be manually removed by disconnection of the appliance from power supply or by wiping with a dry towel.

4.3 Out of operation

- Power failure: In case of power failure, even if it is in summer, foods inside the appliance can be kept for several hours; during the power failure, the times of door opening shall be reduced, and no more fresh food shall be put into the appliance.
- Long-time nonuse: The appliance shall be unplugged and then cleaned; then the doors are left open to prevent odor.
- Moving: Before the refrigerator is moved, take all objects inside out, fix the glass partitions, vegetable holder, freezing chamber drawers and etc. with tape, and tighten the leveling feet; close the doors and fix them with tape. During moving, the appliance shall not be laid upside down or horizontally, or be vibrated; the inclination during movement shall be no more than 45°.

The appliance shall run continuously once it is started. Generally, the operation of the appliance shall not be interrupted; otherwise the service life may be impaired

PART 5: TROUBLESHOOTING

You may try to solve the following simple problems by yourself. If they cannot be solved, please contact the after-sales department.

Failed operation	<ul style="list-style-type: none"> • Check whether the appliance is connected to power or whether the plug is in well contact • Check whether the voltage is too low • Check whether there is a power failure or partial circuits have tripped
Odor	<ul style="list-style-type: none"> • Odorous foods shall be tightly wrapped • Check whether there is any rotten food • Clean the inside of the refrigerator
Long-time operation of the compressor	<ul style="list-style-type: none"> • Long operation of the refrigerator is normal in summer when the ambient temperature is high • It is not suggestible having too much food in the appliance at the same time • Food shall get cool before being put into the appliance The doors are opened too frequently
Light fails to get lit	<ul style="list-style-type: none"> • Check whether the refrigerator is connected to power supply and whether the illuminating light is damaged • Have the light replaced by a specialist
Doors cannot be properly closed	<ul style="list-style-type: none"> • The door is stuck by food packages Too much food is placed • The refrigerator is tilted
Loud noise	<ul style="list-style-type: none"> • Check whether the floor is level and whether the refrigerator is placed stably • Check whether accessories are placed at proper locations
Door seal fails to be tight	<ul style="list-style-type: none"> • Remove foreign matters on the door seal • Heat the door seal and then cool it for restoration (or blow it with an electrical drier or use a hot towel for heating)
Water pan overflows	<ul style="list-style-type: none"> • There is too much food in the chamber or food stored contains too much water,resulting in heavy defrosting • The doors are not closed properly, resulting in frosting due to entry of air and increased water due to defrosting
Hot housing	<ul style="list-style-type: none"> • Heat dissipation of the built-in condenser via the housing, which is normal • When housing becomes hot due to high ambient temperature, storage of too much food or shutdown of the compressor is shut down, provide sound ventilation to facilitate heat dissipation
Surface condensation	<ul style="list-style-type: none"> • Condensation on the exterior surface and door seals of the refrigerator is normal when the ambient humidity is too high. Just wipe the condensate with a clean towel.
Abnormal noise	<ul style="list-style-type: none"> • Buzz: The compressor may produce buzzes during operation, and the buzzes are loud particularly upon start or stop. This is normal. • Creak: Refrigerant flowing inside of the appliance may produce creak, which is normal.

PART 6: PRODUCT INFORMATION SHEET

Product Information Sheet

PHILCO 

COMMISSION DELEGATED REGULATION (EU) 2019/2016 with regard to energy labelling of refrigerating appliances

Supplier's name or trademark: PHILCO

Supplier's address: PHILCO, U Sanitasu 1621, 25101 Říčany, CZ

Model identifier: PCN 310 EW / PCN 310 EX

Type of refrigerating appliance:

Low-noise appliance:	No	Design type:	freestanding
Wine storage appliance:	No	Other refrigerating appliance:	Yes

General product parameters:

Parameter	Value	Parameter	Value
Overall dimensions (millimetre)	Height	Total volume (dm ³ or l)	310
	Width		
	Depth		
Energy efficiency Index (EEI)	100	Energy efficiency class*	E
Airborne acoustical noise emissions (dB(A) re 1 pW)	42	Airborne acoustical noise emission class	D
Annual energy consumption (kWh/a)	235	Climate class:	temperate, subtropical
Minimum ambient temperature (°C), for which the refrigerating appliance is suitable	16	Maximum ambient temperature (°C), for which the refrigerating appliance is suitable	38
Winter setting	No		

Compartment Parameters:

Compartment type	Compartment parameters and values				
	Compartment volume (dm ³ or l)	Recommended temperature setting for optimised food storage (°C) These settings shall not contradict the storage conditions set out in Annex IV, Table 3	Freezing capacity (kg/24h)	Defrosting type (auto-defrost=A, manual defrost=M)	
Pantry	No	-	-	-	
Wine storage	No	-	-	-	

Cellar	No	-	-	-	-
Fresh food	Yes	224,0	4	-	A
Chill	No	-	-	-	-
0-star or ice-making	No	-	-	-	-
1-star	No	-	-	-	-
2-star	No	-	-	-	-
3-star	No	-	-	-	-
4-star	Yes	86,0	-18	3,9	A
2-star section	No	-	-	-	-
Variable temperature compartment	-	-	-	-	-
For 4-star compartments					
Fast freeze facility			Yes		
Light source parameters:					
Type of light source			LED		
Energy efficiency class			F		
Minimum duration of the guarantee offered by the manufacturer: 24 months					
Additional information:					
Weblink to the manufacturer's website, where the information in point 4(a) Annex of Commission Regulation (EU) 2019/2019 is found: www.philco.cz					

TECHNICAL INFORMATION

Technical information can be found on the type plate on the inside of the appliance and on the energy label. The QR code, on the supplied energy label, contains a link to register the appliance in the EU Eprel database. Keep the energy label, the instructions for use, together with other documents supplied with the device.

TESTING INFORMATION

The delivered device is in accordance with Ecodesignem a EN 62552:2020, Regulation (EU) 2019/2016, Regulation (EU) 2019/2019 and Framework Regulation (EU) 2017/1369). Air access requirements for proper operation of the device, the minimum distance from the wall and the dimensions of the device are part of this manual. If you have any further questions, please contact the manufacturer.

CUSTOMER CARE AND SERVICE

Always use original spare parts.

Model name and serial number can be found on the rating plate. Position of rating plate can be changed without notice.

The original spare parts for some specific components are available for a minimum of 7 or 10 years, based on the type of component, from the placing on the market of the last unit of the model.

When contacting our authorized service, have the model designation, serial number and defect description available.

To download documents, visit www.philco.cz.

To report a defect and obtain additional service information, visit <https://philco.cz/podpora-a-servis>.

Subject to change without notice.

INSTRUCTIONS AND INFORMATION REGARDING THE DISPOSAL OF USED PACKAGING MATERIALS

Dispose of packaging material at a public waste disposal site.

DISPOSAL OF USED ELECTRICAL AND ELECTRONIC APPLIANCES



The meaning of the symbol on the product, its accessory or packaging indicates that this product shall not be treated as household waste. Please, dispose of this product at your applicable collection point for the recycling of electrical & electronic equipment waste. Alternatively in some states of the European Union or other European states you may return your products to your local retailer when buying an equivalent new product. The correct disposal of this product will help save valuable natural resources and help in preventing the potential negative impact on the environment and human health, which could be caused as a result of improper liquidation of waste. Please ask your local authorities or the nearest waste collection centre for further details. The improper disposal of this type of waste may fall subject to national regulations for fines.

For business entities in the European Union

If you wish to dispose of an electrical or electronic device, request the necessary information from your seller or supplier.

Disposal in other countries outside the European Union

If you wish to dispose of this product, request the necessary information about the correct disposal method from local government departments or from your seller.



This product meets all the basic EU regulation requirements that relate to it.

Changes to the text, design and technical specifications may occur without prior notice and we reserve the right to make these changes.

The English version of the manual is a translation of the original operating manual, which is in Czech.

CHLADNIČKA - MRAZNIČKA

NÁVOD K POUŽITÍ

PHILCO



Famous for Quality the World Over


PCN 310 EW
PCN 310 EX

Vážený zákazníku,

Děkujeme vám za zakoupení produktu značky PHILCO. Aby vám váš spotřebič dobře sloužil, přečtěte si prosím pečlivě všechny pokyny v této uživatelské příručce.

OBSAH

ČÁST 1: BEZPEČNOSTNÍ POKYNY	2
1.1 Význam bezpečnostních varovných symbolů	12
1.2 Varování související s elektřinou	12
1.3 Varování týkající se používání	13
1.4 Varování týkající se umístění	14
ČÁST 2: SPRÁVNÉ POUŽÍVÁNÍ SPOTŘEBIČE	15
2.1 Umístění	15
2.2 Vyrovnání spotřebiče	16
2.3 Změna směru otevírání dvířek spotřebiče	17
2.4 Výměna žárovky osvětlení	21
2.5 Zahájení provozu	21
2.6 Tipy pro úsporu energie	21
ČÁST 3: STRUKTURA A FUNKCE SPOTŘEBIČE	22
3.1 Hlavní díly spotřebiče	22
3.2 Funkce	23
ČÁST 4: ÚDRŽBA A PÉČE O SPOTŘEBIČ	26
4.1 Celkové čištění	26
4.2 Čištění skleněné poličky	27
4.3 Odmrazování	27
4.4 Spotřebič mimo provoz	27
ČÁST 5: ŘEŠENÍ PROBLÉMŮ	28
ČÁST 6: INFORMAČNÍ LIST	29

 Zařízení bylo testováno podle platných směrnic Evropské unie. Zařízení vyhovuje bezpečnostním ustanovením platným pro elektrické spotřebiče v Evropské unii.

ČÁST 1: BEZPEČNOSTNÍ POKYNY



Z DŮVODU VAŠÍ BEZPEČNOSTI A SPRÁVNÉHO POUŽITÍ, JEŠTĚ PŘED INSTALACÍ A PRVNÍM POUŽITÍM SPOTŘEBIČE, SI POZORNĚ PŘEČTĚTE TUTO PŘÍRUČKU, VČETNĚ TĚCHTO TIPŮ A VAROVÁNÍ. ABYSTE ZABRÁNILI NEŽÁDOUCÍM CHYBÁM A NEHODÁM, JE DŮLEŽITÉ ZAJISTIT, ABY SE VŠECHNY OSOBY POUŽÍVAJÍCÍ TENTO SPOTŘEBIČ DŮKLADNĚ SEZNÁMILY S JEHO OBSLUHOU A BEZPEČNOSTNÍMI FUNKCEMI.

USCHOVEJTE SI TYTO POKYNY A V PŘÍPADĚ PŘEDÁNÍ SPOTŘEBIČE SE UJISTĚTE, ZDA ZŮSTAL TENTO NÁVOD VE SPOTŘEBIČI TAK, ABY BYL POUŽÍVÁN V PRŮBĚHU CELÉ ŽIVOTNOSTI A SPRÁVNĚ INFORMOVAL O SPRÁVNÉM POUŽÍVÁNÍ SPOTŘEBIČE A BEZPEČNOSTI. Z BEZPEČNOSTNÍCH DŮVODŮ A PRO OCHRANU MAJETKU DODRŽUJTE POKYNY V TOMTO NÁVODU, PROTOŽE VÝROBCE NENESE ŽÁDNOU ZODPOVĚDNOST ZA POŠKOZENÍ ZPŮSOBENÁ NEDODRŽENÍM TĚCHTO POKYNUŮ.

- TENTO SPOTŘEBIČ MOHOU POUŽÍVAT DĚTI VE VĚKU 8 LET A STARŠÍ OSOBY SE SNÍŽENÝMI FYZICKÝMI, SMYSLOVÝMI NEBO MENTÁLNÍMI SCHOPNOSTMI NEBO S NEDOSTATKEM ZKUŠENOSTNÍ A ZNALOSTÍ, POKUD JSOU POD DOZOREM NEBO BYLY POUČENY O POUŽÍVÁNÍ SPOTŘEBIČE BEZPEČNÝM ZPŮSOBEM A ROZUMÍ PŘÍPADNÝM NEBEZPEČÍM.
- DĚTI VE VĚKU 3 AŽ 8 LET MOHOU VKLÁDAT A VYJÍMAT POTRAVINY Z CHLADÍCÍCH SPOTŘEBIČŮ.
- DĚTI SI SE SPOTŘEBIČEM NESMĚJÍ HRÁT.
- ČIŠTĚNÍ A ÚDRŽBU NESMĚJÍ PROVÁDĚT DĚTI BEZ DOZORU.

● POKUD JE PŘÍVODNÍ KABEL POŠKOZEN, JEHO VÝMĚNU SVĚŘTE ODBORNÉMU SERVISNÍMU STŘEDISKU, ABY SE ZABRÁNILO VZNIKU NEBEZPEČNÉ SITUACE . SPOTŘEBIČ S POŠKOZENÝM PŘÍVODNÍM KABELEM JE ZAKÁZÁNO POUŽÍVAT.

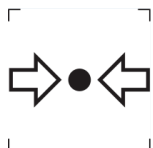
● **VÝSTRAHA:** VĚTRACÍ OTVORY V KRYTU SPOTŘEBIČE NEBO V JEHO KONSTRUKCI JE NUTNO UDRŽOVAT VOLNÉ.

● **VÝSTRAHA:** K URYCHLENÍ ODMRAZOVACÍHO PROCESU NEPOUŽÍVEJTE MECHANICKÁ ZAŘÍZENÍ NEBO JINÉ PROSTŘEDKY NEŽ TY, KTERÉ JSOU DOPORUČENY VÝROBCEM.

● **VÝSTRAHA:** NEPOŠKOZUJTE CHLADICÍ OBVOD.

● **VÝSTRAHA:** NEPOUŽÍVEJTE ELEKTRICKÉ SPOTŘEBIČE V PROSTORU PRO UCHOVÁVÁNÍ POTRAVIN SPOTŘEBIČE, POKUD SE NEJEDNÁ O TYPY DOPORUČENÉ VÝROBCEM.

● **VÝSTRAHA:** V TOMTO SPOTŘEBIČI NESKLADUJTE VÝBUŠNÉ LÁTKY JAKO JSOU AEROSOLOVÉ PLECHOVKY, SPREJE S HOŘLAVOU HNACÍ LÁTKOU.



ZNAČKA ISO 7000-1701 (2004-01)
OZNAČUJE MÉDIUM POD TLAKEM.

TENTO SPOTŘEBIČ JE URČEN PRO POUŽITÍ V DOMÁCNOSTI A PODOBNÝCH PROSTORECH, JAKO JSOU:

- KUCHYŇSKÉ KOUTY V OBCHODECH, KANCELÁŘÍCH A OSTATNÍCH PRACOVIŠTÍCH;
- SPOTŘEBIČE POUŽÍVANÉ HOSTY V HOTELÍCH, MOTELECH A JINÝCH OBYTNÝCH PROSTŘEDÍCH;
- SPOTŘEBIČE POUŽÍVANÉ V PODNICÍCH ZAJIŠŤUJÍCÍCH NOCLEH SE SNÍDANÍ;
- SPOTŘEBIČE POUŽÍVANÉ VE STRAVOVACÍCH A PODOBNÝCH NEPRODEJNÍCH PROSTŘEDÍCH.

● **VÝSTRAHA:** SPOTŘEBIČ MUSÍ BÝT PŘIPEVNĚN PODLE NÁVODU, ABY SE ZABRÁNILO NEBEZPEČÍ ZPŮSOBENÝM JEHO NESTABILITOU.



VÝSTRAHA:
NEBEZPEČÍ OHNĚ / HOŘLAVÉ MATERIÁLY!

OBSAHUJE CHLADICÍ PLYN IZOBUTAN


R600a

CHLADIVO

CHLADICÍ IZOBUTAN (R600a), KTERÝ JE OBSAŽEN V CHLADICÍM OKRUHU SPOTŘEBIČE, JE PŘÍRODNÍ PLYN S VYSOKOU KOMPATIBILITOU SE ŽIVOTNÍM PROSTŘEDÍM, KTERÝ JE PŘECE JEN HOŘLAVÝ. BĚHEM PŘEPRAVY A INSTALACE SPOTŘEBIČE ZABRAŇTE POŠKOZENÍ KOMPONENT CHLADICÍHO OKRUHU. CHLADIVO (R600a) JE HOŘLAVÉ.

• **VAROVÁNÍ** — CHLADNIČKY V IZOLACI OBSAHUJÍ CHLADIVO A CHLADICÍ PLYNY. CHLADIVO A CHLADICÍ PLYNY MUSÍ BÝT LIKVIDOVÁNY ODBORNĚ, PROTOŽE MOHOU ZPŮSOBIT PORANĚNÍ OČÍ NEBO VZNÍCENÍ. PŘED PROVEDENÍM SPRÁVNÉ LIKVIDACE SE UJISTĚTE, ZDA NENÍ POTRUBÍ CHLADICÍHO OKRUHU POŠKOZENO.



SYMBOL  VAROVÁNÍ A ZNAMENÁ TO, ŽE CHLADIVO A CHLADICÍ PLYNY JSOU HOŘLAVÉ.

VAROVÁNÍ: RIZIKO POŽÁRU HOŘLAVÝCH MATERIÁLŮ

POKUD BY DOŠLO K POŠKOZENÍ CHLADICÍHO OKRUHU

- VYHNĚTE SE OTEVŘENÉMU OHNI A ZDROJŮM VZNÍCENÍ.

- DŮKLADNĚ VYVĚTREJTE MÍSTNOST, VE KTERÉ SE SPOTŘEBIČ NACHÁZÍ.

JE NEBEZPEČNÉ MĚNIT NEBO UPRAVOVAT SPOTŘEBIČ JAKÝMKOLIV ZPŮSOBEM.

JAKÉKOLIV POŠKOZENÍ NAPÁJECÍHO KABELU MŮŽE VÉST KE ZKRATU, POŽÁRU A/NEBO ZASAŽENÉM ELEKTRICKÝM PROUDEM.

● **VÝSTRAHA:** PŘI UMÍSTŮVÁNÍ SPOTŘEBIČE SE MUSÍ ZAJISTIT, ABY NAPÁJECÍ PŘÍVOD NEBYL ZACHYCEN NEBO POŠKOZEN.

● **VÝSTRAHA:** NEUMÍSTŮVAT VÍCENÁSOBNÉ PŘENOSNÉ ZÁSUVKY NEBO PŘENOSNÉ PRODLUŽOVACÍ PŘÍVODY NA ZADNÍ STRANU SPOTŘEBIČE.

OHLEDNĚ OPRAVY ČI VÝMĚNY OSVĚTLENÍ, KONTAKTUJTE SERVISNÍ STŘEDISKO.

● OTEVŘENÍ DVÍŘEK NA DLOUHOU DOBU MŮŽE ZPŮSOBIT VÝRAZNÉ ZVÝŠENÍ TEPLoty V PROSTORÁCH SPOTŘEBIČE.

● JE TŘEBA PRAVIDELNĚ ČISTIT POVRCHY, KTERÉ MOHOU PŘIJÍT DO STYKU S POTRAVINAMI A PŘÍSTUPNÉ DRENÁŽNÍ SYSTÉMY

● SYROVÉ MASO A RYBY JE TŘEBA UKLÁDAT DO CHLADNIČKY VE VHODNÝCH OBALECH, TAK ABY NEBYLY V KONTAKTU S JINÝMI POTRAVINAMI NEBO NA NĚ NEKAPALY.

● DVOUHVĚZDIČKOVÉ MRAZICÍ PROSTORY JSOU VHODNÉ K UKLÁDÁNÍ PŘEDEM ZMRAZENÝCH POTRAVIN, ULOŽENÍ NEBO K VÝROBĚ ZMRZLINY A VÝROBĚ KOSTEK LEDU.

● JEDNO, DVOU A TŘÍHVĚZDIČKOVÉ PROSTORY NEJSOU VHODNÉ PRO MRAŽENÍ ČERSTVÝCH POTRAVIN.

POKUD SE CHLADICÍ SPOTŘEBIČ ZANECHÁVÁ PRÁZDNÝ PO DLOUHOU DOBU, JE TŘEBA HO VYPNOUT, ODMRAZIT, VYČISTIT, VYSUŠIT A NECHAT DVÍŘKA OTEVŘENÁ, ABY SE ZABRÁNILO TVORBĚ PLÍSNÍ UVNITŘ SPOTŘEBIČE.



ELEKTRICKÁ BEZPEČNOST

1. NAPÁJECÍ KABEL NESMÍ BÝT PRODLUŽOVÁN.
2. UJISTĚTE SE, ZDA NENÍ ZÁSTRČKA NAPÁJECÍHO KABELU POŠKOZENÁ.
ROZDRČENÁ NEBO POŠKOZENÁ ZÁSTRČKA SE MŮŽE PŘEHŘÍVAT A ZPŮSOBIT POŽÁR.
3. UJISTĚTE SE, ZDA MÁTE VOLNÝ PŘÍSTUP K ZÁSTRČCE SPOTŘEBIČE.
4. NETAHEJTE ZA NAPÁJECÍ KABEL.
5. POKUD JE ELEKTRICKÁ ZÁSUVKA UVOLNĚNÁ, NEPŘIPOJUJTE K NÍ ZÁSTRČKU. HROZÍ RIZIKO ÚRAZU ELEKTRICKÝM PROUDEM NEBO VZNIKU POŽÁRU.
6. NESMÍTE POUŽÍVAT TENTO SPOTŘEBIČ BEZ KRYTU VNITŘNÍHO OSVĚTLENÍ.
7. CHLADNIČKA JE URČENA POUZE NA NAPÁJENÍ Z JEDNÉ FÁZE STŘÍDAVÉHO PROUDU S HODNOTAMI 220~240 V/50 HZ. POKUD JE KOLÍSÁNÍ NAPĚTÍ V MÍSTĚ BYDLIŠTĚ UŽIVATELE TAK VELKÉ, ŽE PŘESAHUJE VÝŠE UVEDENÉ LIMITY, Z BEZPEČNOSTNÍCH DŮVODŮ POUŽIJTE PRO CHLADNIČKU AUTOMATICKÝ NAPĚŤOVÝ REGULÁTOR S VÍCE NEŽ 350 W.

CHLADNIČKA MUSÍ BÝT VYBAVENA SPECIÁLNÍ NAPÁJECÍ ZÁSTRČKOU NAMÍSTO BĚŽNĚ POUŽÍVANÉ S JINÝMI ELEKTRICKÝMI SPOTŘEBIČI. ZÁSTRČKA MUSÍ ZODPOVÍDAT ZÁSUVCE S UZEMŇOVACÍM KONTAKTEM.

BĚŽNÉ POUŽITÍ

- VE SPOTŘEBIČI NESKLADUJTE HOŘLAVÉ PLYNY ANI TEKUTINY. HROZÍ RIZIKO EXPLOZE.
- VE SPOTŘEBIČI NEPOUŽÍVEJTE JINÉ ELEKTRICKÉ SPOTŘEBIČE (NAPŘ. ELEKTRICKÝ VÝROBNÍK ZMRZLINY, MIXÉRY ATD.).
- PŘI ODPOJOVÁNÍ SPOTŘEBIČE Z ELEKTRICKÉ ZÁSUVKY, VŽDY TAHEJTE ZA ZÁSTRČKU. NETAHEJTE ZA KABEL.
- DO BLÍZKOSTI PLASTOVÝCH DÍLŮ TOHOTO SPOTŘEBIČE NEDÁVEJTE HORKÉ PŘEDMĚTY.
- NEDÁVEJTE ŽÁDNÉ PŘEDMĚTY DO BLÍZKOSTI VZDUCHOVÝCH OTVORŮ V ZADNÍ STĚNĚ.
- BALENÉ MRAZENÉ POTRAVINY SKLADUJTE V SOULADU S POKYNY VÝROBCE MRAZENÝCH POTRAVIN.
- MĚLI BYSTE STRIKTNĚ DODRŽOVAT DOPORUČENÍ TÝKAJÍCÍ SE SKLADOVÁNÍ VE SPOTŘEBIČI OD VÝROBCE. VIZ PŘÍSLUŠNÉ POKYNY O SKLADOVÁNÍ.
- DO MRAZICÍHO PROSTORU NEDÁVEJTE SYCENÉ NEBO ŠUMIVÉ NÁPOJE, PROTOŽE VYTVÁŘEJÍ TLAK NA NÁDOBU, KTERÁ MŮŽE EXPLODOVAT, COŽ MŮŽE VÉST K POŠKOZENÍ SPOTŘEBIČE.
- NEKONZUMUJTE MRAZENÉ POKRMY IHNED PO VYJMUTÍ Z MRAZNIČKY, MŮŽETE SE PORANIT.
- NEUMÍSŤUJTE SPOTŘEBIČ NA PŘÍMÉ SLUNEČNÉ SVĚTLO.
- MĚJTE HORKÉ SVÍČKY, LAMPY A JINÉ PŘEDMĚTY S OTEVŘENÝM OHNĚM V DOSTATEČNÉ VZDÁLENOSTI OD SPOTŘEBIČE, ABYSTE ZABRÁNILI RIZIKU POŽÁRU.

- SPOTŘEBIČ JE URČEN NA USKLADNĚNÍ POKRMŮ A/ NEBO NÁPOJŮ V BĚŽNÉ DOMÁCNOSTI PODLE POPISU V NÁVODU. SPOTŘEBIČ JE TĚŽKÝ. ZVYŠTE POZORNOST PŘI JEHO PŘEMÍSTOVÁNÍ.
- NEVYJÍMEJTE ANI SE NEDOTÝKEJTE POLOŽEK V PROSTORU MRAZENÍ, POKUD MÁTE VLHKÉ/MOKRÉ RUCE, PROTOŽE TO MŮŽE VÉST K PORANĚNÍM POKOŽKY NEBO POPÁLENINÁM Z MRAZU.
- NIKDY NEPOUŽÍVEJTE DNO, ZÁSUVKY, DVÍŘKA APOD. NA STOUPÁNÍ NEBO JAKO PODPĚRU.
- MRAZENÉ POTRAVINY, NESMÍ BÝT PO ROZMRAZENÍ OPĚTOVNĚ ZMRAZENY.
- NEKONZUMUJTE LEDOVÉ NANUKY NEBO KOSTKY LEDU IHNEDE PO VYJMUTÍ Z MRAZNIČKY, PROTOŽE BYSTE SI TAK MOHLI PORANIT ÚSTA A RTY.
- ABYSTE ZABRÁNILI PÁDU PŘEDMĚTŮ A ZRANĚNÍ NEBO POŠKOZENÍ SPOTŘEBIČE, NEPŘETĚŽUJTE PŘIHRÁDKY DVÍŘEK ANI DO ZÁSUVEK NEDÁVEJTE NADMĚRNÉ MNOŽSTVÍ POTRAVIN.




INSTALACE

DŮLEŽITÉ!

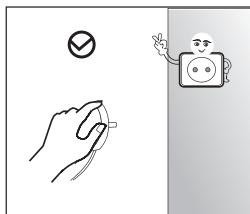
- PŘI PŘIPOJENÍ K ELEKTRICKÉ SÍTI BUĎTE OPATRNÍ, DODRŽUJTE POKYNY V TOMTO NÁVODU. SPOTŘEBIČ VYBALTE A ZKONTROLUJTE HO Z HLEDISKA VIDITELNÝCH POŠKOZENÍ.
- POKUD JE SPOTŘEBIČ POŠKOZENÝ, NEPŘIPOJUJTE HO. OZNAMTE PŘÍPADNÉ POŠKOZENÍ V MÍSTĚ ZAKOUPENÍ. V TOMTO PŘÍPADĚ SI NECHTE OBALOVÝ MATERIÁL.
- DOPORUČUJE SE POČKAT NĚKOLIK HODIN, PŘED PŘIPOJENÍM SPOTŘEBIČE, ABY SE OLEJ V KOMPRESORU USTÁLIL.
- OKOLO SPOTŘEBIČE ZAJISTĚTE DOSTATEČNÉ VĚTRÁNÍ, V OPAČNÉM PŘÍPADĚ MŮŽE DOCHÁZET K PŘEHŘÍVÁNÍ. PRO DOSAŽENÍ DOSTATEČNÉHO VĚTRÁNÍ DODRŽUJTE POKYNY K INSTALACI.
- POKUD JE TO MOŽNÉ, ZADNÍ STĚNA SPOTŘEBIČE BY NEMĚLA BÝT PŘÍLIŠ BLÍZKO STĚNY A NEMĚL BY SE DOTÝKAT HORKÝCH ČÁSTÍ (KOMPRESOR, KONDENZÁTOR), ABY SE ZABRÁNILO RIZIKU POŽÁRU, DODRŽUJTE PŘÍSLUŠNÉ POKYNY K INSTALACI.
- SPOTŘEBIČ NESMÍ BÝT UMÍSTĚN V BLÍZKOSTI RADIÁTORŮ NEBO SPORÁKŮ.
- PO INSTALACI SPOTŘEBIČE SE UJISTĚTE, ZDA JE SÍŤOVÁ ZÁSTRČKA SNADNO PŘÍSTUPNÁ.
- ODLOŽTE VŠECHNY OBALY MIMO DOSAH DĚTÍ, PROTOŽE HROZÍ RIZIKO UDUŠENÍ.
- VNITŘNÍ PROSTOR VAŠÍ CHLADNIČKY/MRAZNIČKY MŮŽE PŘED PRVNÍM POUŽITÍM ZAPÁCHAT. JE TO NORMÁLNÍ JEV. ZÁPACH ZMIZÍ, JAKMILE ZAČNE ZAŘÍZENÍ CHLADIT/MRAZIT.

- PŘED PŘIPOJENÍM CHLADNIČKY/MRAZNIČKY SE UJISTĚTE, ŽE NAPĚTÍ V ELEKTRICKÉ SÍTI ODPOVÍDÁ POŽADAVKŮM NA PŘIPOJENÍ CHLADNIČKY/MRAZNIČKY. V PŘÍPADĚ POCHYBNOSTÍ SE OBRAŤTE NA KVALIFIKOVANÉHO ELEKTRIKÁŘE.
- SPOTŘEBIČ MUSÍ BÝT PŘIPOJEN DO ZÁSUVKY S ODPOVÍDAJÍCÍM NAPĚTÍM A SPRÁVNĚ NAINSTALOVANOU POJISTKOVOU ZÁSUVKOU.
- CHLADNIČKA/MRAZNIČKA NESMÍ BÝT UMÍSTĚNA VENKU NEBO VYSTAVENA DEŠTI.
- CHLADNIČKA/MRAZNIČKA MUSÍ BÝT UMÍSTĚNA NEJMÉNĚ 50 CM OD TOPNÝCH TĚLES, TOPENÍ TRUB, PLYNOVÝCH TRUB ATD.
- POKUD JE CHLADNIČKA S MRAZNIČKOU UMÍSTĚNA VEDLE MRAZÁKU, MUSÍ MEZI NIMI BÝT MIN. 2 CM ROZESTUP.
- NA CHLADNIČKU/MRAZNIČKU NEPOKLÁDEJTE TĚŽKÉ VĚCI, NEZAKRÝVEJTE JI.
- NAD CHLADNIČKOU/MRAZNIČKOU MUSÍ BÝT MIN. 100 - 150 MM VOLNÝ PROSTOR.
- TENTO SPOTŘEBIČ JE VYROBEN K POUŽITÍ V DOMÁCNOSTECH A JE VHODNÝ POUZE PRO CHLAZENÍ /MRAZENÍ POTRAVIN. NENÍ VHODNÝ PRO KOMERČNÍ POUŽITÍ A / NEBO PRO SKLADOVÁNÍ LÁTEK S VÝJIMKOU POTRAVIN. VÝROBCE NENESE ZA ŽÁDNÉ ZTRÁTY, ZPŮSOBENÉ NEVHODNÝM POUŽITÍM SPOTŘEBIČE, ODPOVĚDNOST.

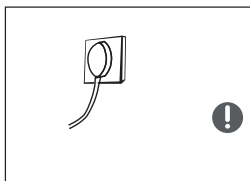
1.1 Význam bezpečnostních varovných symbolů

 Symbol zákazu	Toto je symbol zákazu. Jakékoliv nedodržení pokynů označených tímto symbolem může vést k poškození produktu nebo k ohrožení osobní bezpečnosti uživatele.
 Varovný symbol	Toto je varovný symbol. Je třeba důsledně dodržovat pokyny označené tímto symbolem; jinak může dojít k poškození produktu nebo zranění osob.
 Symbol poznámky	Toto je symbol upozornění. Pokyny označené tímto symbolem vyžadují zvláštní opatrnost. Nedostatečná opatrnost může vést k lehkému nebo středně těžkému zranění nebo poškození produktu.

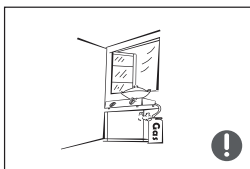
1.2 Varování související s elektřinou



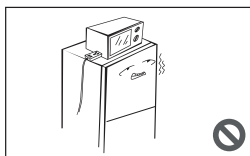
- Při vytahování zástrčky spotřebiče netahejte za napájecí kabel. Pevně uchopte zástrčku a vytáhněte ji přímo z elektrické zásuvky.
- Abyste zajistili bezpečné používání, nepoškozujte napájecí kabel a nepoužívejte napájecí kabel, když je poškozený nebo opotřebovaný.



- Použijte prosím vyhrazenou elektrickou zásuvku, zásuvka se nesmí sdílet s jinými elektrickými spotřebiči.
- Zástrčka by měla být pevně v kontaktu s elektrickou zásuvkou, jinak by mohlo dojít k požáru.
- Ujistěte se, zda je uzemňovací elektroda elektrické zásuvky vybavena spolehlivým uzemňovacím vedením.

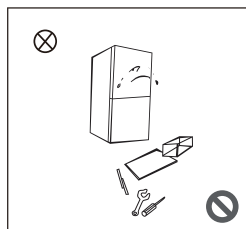


- Neodpojujte spotřebič a jiné elektrické spotřebiče, protože jiskra může způsobit požár.

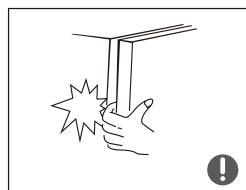


- Na horní straně spotřebiče nepoužívejte elektrické spotřebiče, pokud nejsou typem doporučeným výrobcem.

1.3 Varování týkající se používání



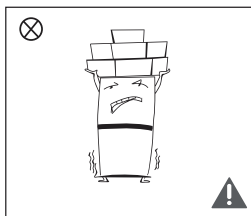
- Spotřebič svévolně nerozebírejte ani nerekonstruujte, ani nepoškozujte chladicí okruh; údržbu spotřebiče musí provádět odborník.
- Poškozený napájecí kabel musí vyměnit výrobce, jeho oddělení údržby nebo podobní odborníci, aby se předešlo nebezpečí.



- Mezery mezi dvířky spotřebiče a mezi dvířky a tělem spotřebiče jsou malé, do těchto oblastí nekládejte ruku, abyste si nepřimáčkli prst. Při zavírání dvířek spotřebiče buďte opatrní, abyste předešli pádu předmětů.
- Když je spotřebič v provozu, nevyjímejte potraviny nebo nádoby mokřými rukama z mrazicího prostoru, zejména kovové nádoby, abyste předešli omrzlinám.

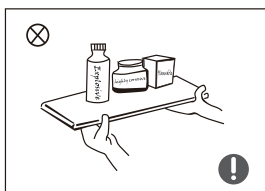


- Nedovolte žádnému dítěti dostat se do spotřebiče nebo lézt na spotřebič; v opačném případě může dojít k udušení nebo zranění dítěte pádem.

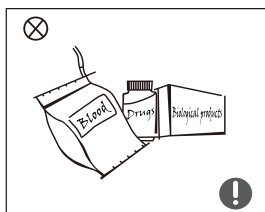


- Na horní část spotřebiče neumísťujte těžké předměty, protože při zavírání nebo otevírání dvířek mohou předměty spadnout a může dojít k náhodnému zranění.

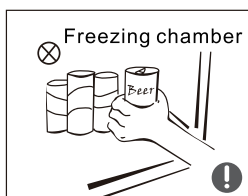
1.4 Varování týkající se umístění



- Do spotřebiče nevkládějte hořlavé, výbušné, těkavé a vysoce korozivní předměty, abyste předešli poškození spotřebiče nebo vzniku požáru.
- V blízkosti spotřebiče neumísťujte hořlavé předměty, aby nedošlo k požáru.



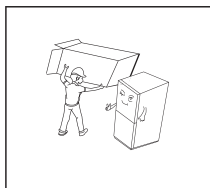
- Spotřebič je určen k použití v domácnosti, jako je skladování potravin; nesmí se používat k jiným účelům, jako je skladování krve, léků nebo biologických produktů apod.



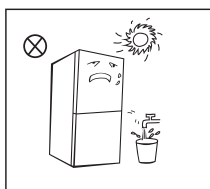
- Neskladujte pivo, nápoje nebo jiné tekutiny v lahvích nebo uzavřených nádobách v mrazícím prostoru spotřebiče; v opačném případě mohou láhve nebo uzavřené nádoby prasknout v důsledku mrazu a způsobit škody.

ČÁST 2: SPRÁVNÉ POUŽÍVÁNÍ SPOTŘEBIČE

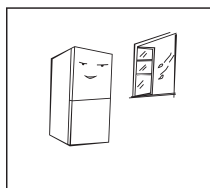
2.1 Umístění



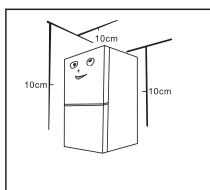
- Před použitím odstraňte všechny obalové materiály, včetně spodních těsnění, pěnových podložek a pásků uvnitř spotřebiče; odtrhněte ochrannou fólii na dvířkách a těle spotřebiče.



- Uchovávejte mimo dosah tepla a vyhýbejte se přímému slunečnímu záření. Neumísťujte spotřebič na vlhká nebo mokrá místa, abyste předešli rezivění nebo snížení izolačního účinku.
- Spotřebič nestříkejte ani nemyjte; neumísťujte spotřebič na vlhká místa, která lze snadno polít vodou, aby se neovlivnily elektrické izolační vlastnosti spotřebiče.



- Spotřebič by měl být umístěn na dobře větraném místě v interiéru; Podlaha musí být rovná a pevná (otáčením doleva nebo doprava nastavte kolečko pro vyrovnání, pokud je spotřebič nestabilní).



- Prostor nad spotřebičem by měl být větší než 10 cm a spotřebič by měl být umístěn u stěny se vzdáleností více než 10 cm, aby se usnadnil odvod tepla.

Klimatická třída a význam:

Popis	Třída	Teplota okolí v °C
Rozšířené	SN	+10 až +32
Mírné pásmo	N	+16 až +32
Subtropické pásmo	ST	+16 až +38
Tropické pásmo	T	+16 až +43

Rozšířené mírné pásmo: Tento chladicí spotřebič je určen k používání při teplotě okolí v rozsahu od 10 °C do 32 °C;

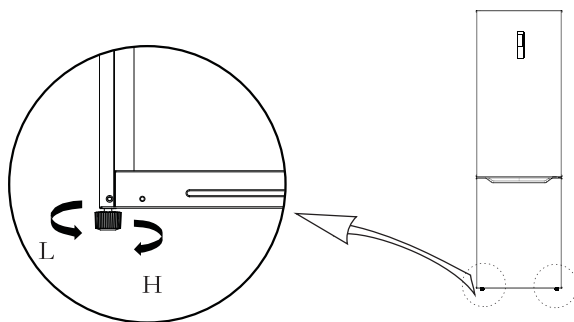
Mírné pásmo: Tento chladicí spotřebič je určen k používání při teplotě okolí v rozsahu od 16 °C do 32 °C;

Subtropické pásmo: Tento chladicí spotřebič je určen k používání při teplotě okolí v rozsahu od 16 °C do 38 °C;

Tropické pásmo: Tento chladicí spotřebič je určen k používání při teplotě okolí v rozsahu od 16 °C do 43 °C;

2.2 Vyrovnání spotřebiče

Schematické zobrazení vyrovnávacích nožiček



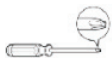
(Výše uvedený obrázek je pouze orientační. Skutečná konfigurace bude záviset na fyzickém produktu nebo prohlášení distributora)

Postup nastavení:

- Otočte nožičky ve směru hodinových ručiček, abyste spotřebič zvedli;
- Otočte nožičky proti směru hodinových ručiček, abyste spotřebič snížili;
- Nastavte pravou a levou nožičku podle výše uvedených postupů do horizontální úrovně.

2.3 Změna směru otevírání dvířek spotřebiče

Seznam nástrojů, které má poskytnout uživatel



Křížový šroubovák



Tmelový nůž a plochý šroubovák

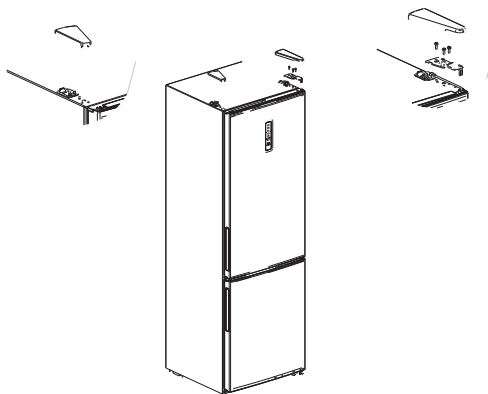


5/16"
klíč a ráčna

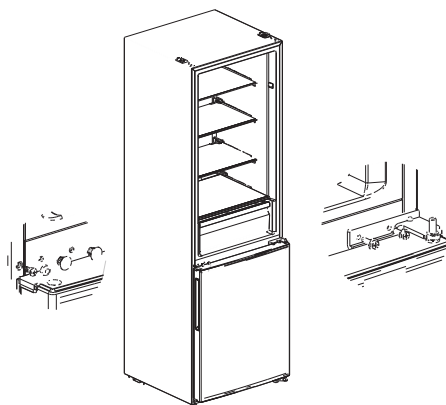


Maskovací páska

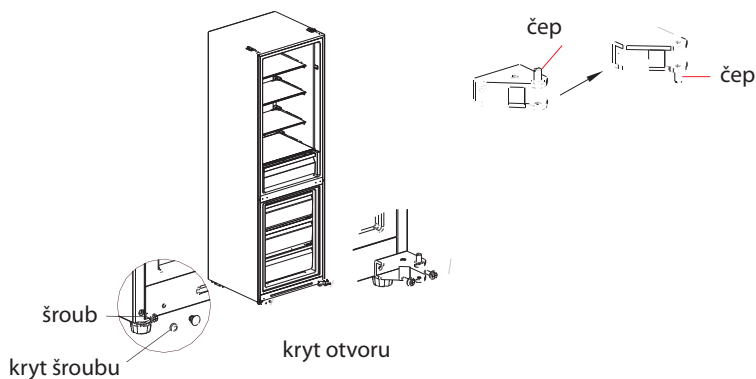
- 1) Před provedením této operace prosím vypněte tento spotřebič. Vyjměte všechny potraviny z regálů dvířek.
- 2) Demontujte kryt horního závěsu, odpojte signální vodiče, horní závěs a kryt otvoru na druhé straně, demontujte dvířka chladicího prostoru.



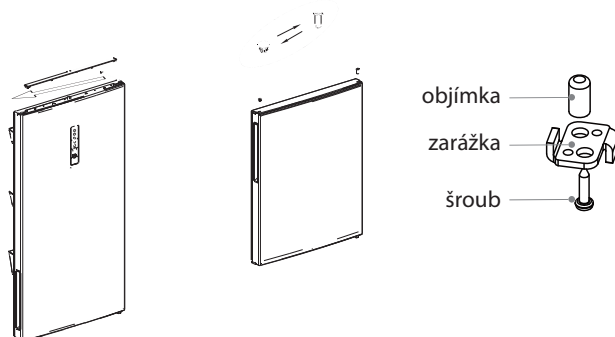
- 3) Demontujte střední závěs, šrouby, kryty otvorů pro šrouby a sejměte dvířka mrazicího prostoru.



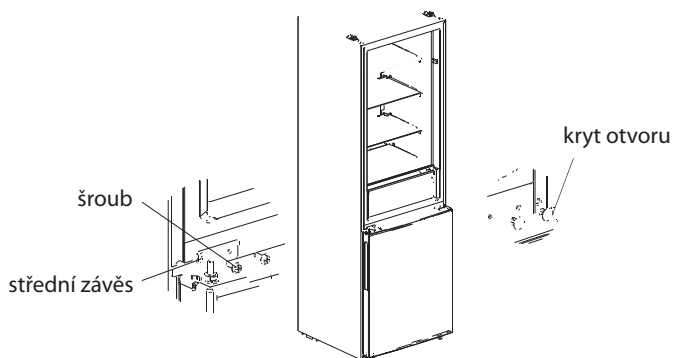
- 4) Demontujte spodní závěs, kryty otvorů a šrouby, nainstalujte čep spodního závěsu na druhou stranu spodního závěsu a poté nainstalujte závěs na druhou stranu.



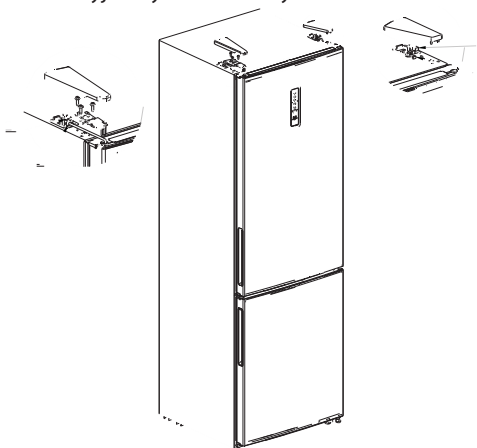
- 5) Demontujte šrouby, objímku a zarážku na spodním koncovém krytu dvou dvířek a nainstalujte je postupně na druhou stranu těles dvířek (zarážku je třeba vyměnit ze sáčku s příslušenstvím). Potom demontujte horní koncový kryt dvířek chladicího prostoru a přehodte kabelový svazek s objímkovou trubkou na druhou stranu tělesa dvířek. Nakonec nainstalujte objímku horního závěsu na dvířkách chladicího prostoru do otvoru na druhé straně horního koncového krytu dvířek chladicího prostoru.



- 6) Nasadíte dvířka mrazicího prostoru na spodní závěs, nainstalujete střední závěs, šrouby a kryty otvorů pro šrouby.



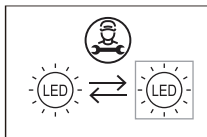
- 7) Umístíte těleso dvířek chladicího prostoru na střední závěs, poté nainstalujete horní závěs na druhou stranu skříňky spotřebiče, nakonec připojíte svorky 2 pro signální vodiče na straně horního závěsu a svorky 3,4 na druhou stranu a zakryjete kryt závěsu a kryt otvoru.



Výše uvedený obrázek je pouze orientační.

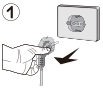
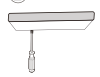
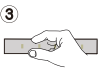

Skutečná konfigurace bude záviset na fyzickém produktu nebo prohlášení distributora.

2.4 Výměna žárovky osvětlení

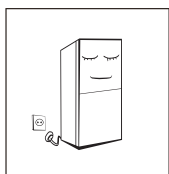


- Jakoukoli výměnu nebo údržbu LED žárovek má provést výrobce, jeho servisní zástupce nebo podobně kvalifikovaná osoba.

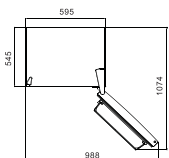
Světelný zdroj v tomto produktu mohou vyměnit pouze kvalifikovaní technici.

	1. Před demontáží vytáhněte zástrčku.		2. Sundejte stínítko pomocí šroubováku.
	3. Sejměte panel lampy.		4. Demontujte přípojovací svorku.

2.5 Zahájení provozu



- Před vložením jakýchkoli čerstvých nebo mražených potravin musí být spotřebič v provozu 2-3 hodiny nebo více než 4 hodiny v létě, kdy je okolní teplota vysoká.
- V případě výpadku dodávky elektrické energie nebo čištění vytáhněte zástrčku. Nepřipojujte spotřebič ke zdroji napájení do pěti minut, abyste předešli poškození kompresoru v důsledku následných startů.



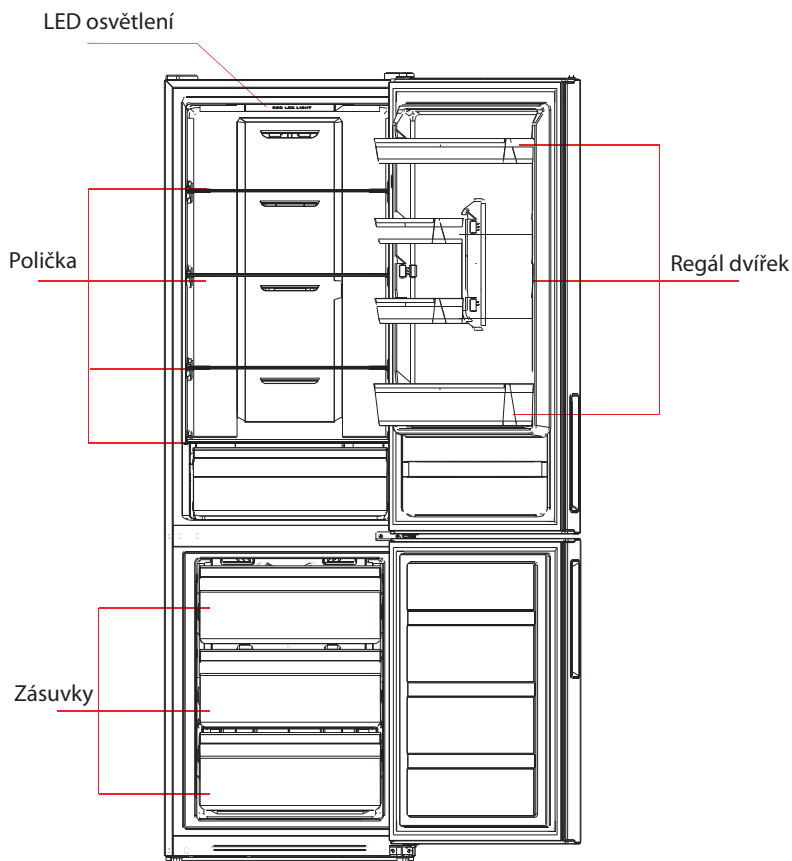
- Dostatek prostoru pro pohodlné otevírání dveří a zásuvek.

2.6 Tipy pro úsporu energie

- Spotřebič by měl být umístěn v nejchladnější části místnosti, daleko od zařízení produkujících teplo nebo topných potrubí a mimo přímé sluneční záření.
- Před vložením do spotřebiče nechte horké potraviny vychladnout na pokojovou teplotu. Přetížení spotřebiče nutí kompresor pracovat déle. Potraviny, které se zmrazují velmi pomalu, mohou ztratit kvalitu nebo se pokazit.
- Potraviny před vložením do spotřebiče řádně zabalte a otřete dosucha. Tím se sníží tvorba námrazy uvnitř spotřebiče.
- Úložný prostor spotřebiče by neměl být vyložen hliníkovou fólií, voskovým papírem nebo papírovou utěrkou. Vložky narušují cirkulaci studeného vzduchu, což snižuje účinnost spotřebiče.
- Uspořádejte a označte potraviny, abyste snížili četnost otevírání dveří spotřebiče a zdlouhavé vyhledávání. Vyjměte najednou tolik položek, kolik potřebujete a co nejdříve zavřete dvířka.

ČÁST 3: STRUKTURA A FUNKCE SPOTŘEBIČE

3.1 Hlavní díly spotřebiče



(Výše uvedený obrázek je pouze orientační. Skutečná konfigurace bude záviset na fyzickém produktu nebo prohlášení distributora!)

Chladicí prostor

- Chladicí prostor je vhodný pro skladování různých druhů ovoce, zeleniny, nápojů a jiných potravin určených ke krátkodobé spotřebě, doporučené období skladování je 3 až 5 dní.
- Vařená jídla se nesmí vkládat do chladicího prostoru, dokud nevychladnou na pokojovou teplotu.
- Potravinu se doporučuje před vložením do chladicího prostoru uzavřít.
- Skleněné police lze upravit nahoru nebo dolů, čímž získáte přiměřený úložný prostor a jednoduché použití.

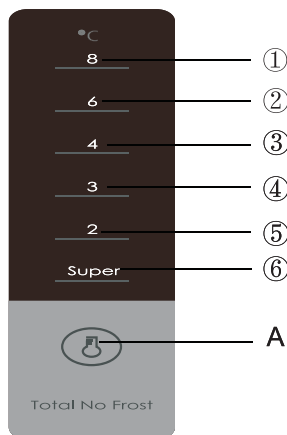
Mrazicí prostor

- Nízkoteplotní mrazicí prostor může udržet potraviny čerstvé po dlouhé období a používá se hlavně na skladování mražených potravin a výrobu ledu.
- Mrazicí prostor je vhodný pro skladování masa, ryb, rýžových kuliček a jiných potravin, které nejsou určeny ke krátkodobé spotřebě.
- Kusy masa je lepší rozdělit na malé kousky, aby se daly rychle zmrazit a byl k nim snadný přístup. Upozorňujeme, že potraviny musí být zkonsumovány do doby spotřeby.

Chladicí zásuvka

- Je určena pro krátkodobé skladování (1–3 dny) čerstvých ryb, čerstvého masa, čerstvých potravin atd.
- V blízkosti zadní a spodní části zásuvky mohou být potraviny zmrazeny, nelze vložit potraviny, které by se neměly zmrazovat.
- Doporučuje se klasifikace potravin a uzavírací balení. Energeticky nejúčinnější jsou zásuvky, potravinové boxy, police atd. umístěné podle polohy na obrázku výše.

3.2 Funkce



(Výše uvedený obrázek je pouze orientační. Skutečná konfigurace bude záviset na fyzickém produktu nebo prohlášení distributora.)

1. Tlačítko

A. Tlačítko nastavení teploty

2. Displej

- ① Nastavení teploty 1
- ② Nastavení teploty 2
- ③ Nastavení teploty 3
- ④ Nastavení teploty 4
- ⑤ Nastavení teploty 5
- ⑥ Nastavení teploty 6

3. Zobrazení na displeji

Po zapnutí spotřebiče se displej (včetně indikátoru tlačítka) rozsvítí naplno na 3 sekundy, poté je spotřebič v provozu podle nastavení teploty 3.

Zobrazení normálního provozu

Při výskytu poruchy příslušný LED indikátor zobrazí kombinované zobrazení kódu poruchy (na displeji);

Pokud nedojde k poruše, LED displej zobrazí stávající nastavení teploty.

4. Nastavení stupně teploty

Nastavení teploty se změní vždy, když stisknete tlačítko SET. Potom bude spotřebič po 15 sekundách v provozu s novou nastavenou hodnotou.

5 Nastavení manuálního ovladače vzduchové klapky

Otočte posuvný ovladač vzduchové klapky směrem nahoru, skutečná teplota v mrazicím prostoru klesne, Otočte posuvný ovladač vzduchové klapky směrem dolů, skutečná teplota v mrazicím prostoru se zvýší.

Nastavení 1 → Nastavení 2 → Nastavení 3 → Nastavení 4 → Nastavení 5 → Nastavení 6 →
Nastavení 1 →

Indikace poruchy

Následující varování zobrazená na displeji označují příslušné poruchy spotřebiče. I když může mít spotřebič stále funkci chlazení s následujícími poruchami, uživatel by měl kontaktovat specialistu na údržbu, aby se zajistil optimální provoz spotřebiče.

Chybový kód	Popis poruchy
Svítil LED ① a LED ②	Obvod čidla teploty chladičského prostoru
Svítil LED ① a LED ③	Snímač odmrazování mrazicího prostoru
Svítil LED ① a LED ④	Snímač okolní teploty

Poznámka: Funkce rychlého mrazení je navržena tak, aby zachovala nutriční hodnotu potravin v mrazicím prostoru. Dokáže zmrazit potraviny v co nejkratším čase. Pokud je najednou zmrazeno velké množství potravin, doporučuje se, aby uživatel zapnul funkci rychlého mrazení a vložil potraviny. V této době se rychlost mrazení v mrazicím prostoru zvýší, což může rychle zmrazit potraviny, účinně zajistí výživné hodnoty potravin a usnadní skladování.

ČÁST 4: ÚDRŽBA A PÉČE O SPOTŘEBIČ

4.1 Celkové čištění

- Prach za spotřebičem a na podlaze se musí včas vyčistit, aby se zlepšil chladicí účinek a úspora energie.
- Pravidelně kontrolujte těsnění dvířek, abyste se ujistili, zda na něm nejsou žádné nečistoty. Očistěte těsnění dvířek měkkým hadříkem navlhčeným v mýdlové vodě nebo zředěném saponátu.
- Vnitřní prostor spotřebiče by se měl pravidelně čistit, aby nevznikal zápach.
- Před čištěním vnitřního prostoru vypněte napájení, vyjměte všechny potraviny, nápoje, poličky, zásuvky atd.
- K čištění vnitřního prostoru spotřebiče použijte měkký hadřík nebo houbu se dvěma polévkovými lžicemi jedlé sody a litrem teplé vody. Potom prostor opláchněte vodou a otřete dočista. Po vyčištění otevřete dvířka a před zapnutím nechte vše přirozeně vyschnout.
- Místa, která se ve spotřebiči čistí komplikovaně (jako jsou úzké štěrbiny, mezery nebo rohy), se doporučuje pravidelně utírat měkkým hadříkem, měkkým kartáčkem atd., a v případě potřeby kombinovat s některými pomocnými nástroji (jako např. tenké vatové tyčinky), aby se v těchto oblastech nehromadily žádné nečistoty nebo bakterie.
- Nepoužívejte mýdlo, saponát, čisticí prášek, čistič ve spreji atd., protože mohou způsobit zápach uvnitř spotřebiče nebo kontaminovat potraviny.
- Držák na láhve, poličky a zásuvky čistěte měkkým hadříkem navlhčeným v mýdlové vodě nebo zředěném saponátu. Osušte měkkým hadříkem nebo nechte přirozeně vyschnout.
- Vnější povrch spotřebiče otřete měkkým hadříkem navlhčeným v mýdlové vodě, saponátu atd. a pak otřete dosucha.
- Nepoužívejte tvrdé kartáče, drátěnky, drátěné kartáče, abrazivní prostředky (jako jsou zubní pasty), organická rozpouštědla (jako je alkohol, aceton, banánový olej atd.), vařící vodu, kyselá nebo alkalická látka, které mohou poškodit povrch spotřebiče a jeho vnitřní prostor. Vroucí voda a organická rozpouštědla jako benzen mohou deformovat nebo poškodit plastové části.
- Během čištění neoplachujte čištěné plochy přímo vodou ani jinými tekutinami, abyste předešli zkratům nebo neovlivnili elektrickou izolaci spotřebiče.



Při odmrazování a čištění odpojte spotřebič od elektrické sítě.

4.2 Odmrazování

- Spotřebič je vyroben na principu vzduchového chlazení a má tedy funkci automatického odmrazování. Námraza vzniklou v důsledku změny ročního období nebo teploty lze odstranit i ručně odpojením spotřebiče od napájení nebo otřením suchou utěrkou.

4.3 Spotřebič mimo provoz

- Výpadek dodávky elektrické energie: V případě výpadku dodávky elektrické energie, i když je to v létě, mohou potraviny ve spotřebiči zůstat několik hodin; během výpadku dodávky elektrické energie je třeba zkrátit časy otevírání dvířek a do spotřebiče se již nesmí vkládat žádné čerstvé potraviny.
- Dlouhodobé nepoužívání: Spotřebič se musí odpojit a poté vyčistit; pak je třeba nechat dvířka otevřená, aby se zabránilo zápachu.
- Přemísťování: Před přemístěním spotřebiče vyjměte všechny předměty, připevněte skleněné poličky, zásuvku na zeleninu, zásuvky mrazicího prostoru atd. páskou a utáhněte vyrovnávací nožičky; zavřete dvířka a připevněte je páskou. Během přemísťování nesmí být spotřebič umístěn vzhůru nohama nebo vodorovně a nesmí být vystaven vibracím; sklon během přemísťování nesmí být větší než 45°.

Po spuštění musí být spotřebič v nepřetržitém provozu. Obecně se provoz spotřebiče nesmí přerušit, jinak může dojít ke snížení životnosti.

ČÁST 5: ŘEŠENÍ PROBLÉMŮ

Můžete se pokusit vyřešit následující jednoduché problémy sami. Pokud je nelze vyřešit, kontaktujte servisní středisko.

Spotřebič nefunguje.	<ul style="list-style-type: none">• Zkontrolujte, zda je spotřebič připojen k napájení nebo zda je zástrčka v dobrém kontaktu s elektrickou zásuvkou.• Zkontrolujte, zda napětí není příliš nízké.• Zkontrolujte, zda nedošlo k výpadku napájení nebo zda nedošlo k vypnutí elektrických obvodů.
Zápach.	<ul style="list-style-type: none">• Potraviny s výrazným zápachem musí být těsně zabaleny.• Zkontrolujte, zda nejsou některé potraviny zkažené.• Vyčistěte vnitřní prostor spotřebiče.
Dlouhodobý provoz kompresoru.	<ul style="list-style-type: none">• Dlouhodobý provoz spotřebiče je normální v létě, když je okolní teplota vysoká.• Nedoporučuje se mít ve spotřebiči současně příliš mnoho potravin.• Potraviny musí před vložením do spotřebiče vychladnout. Dvířka spotřebiče jsou otevírána velmi často.
Osvětlení se nerozsvítí.	<ul style="list-style-type: none">• Zkontrolujte, zda je spotřebič připojen ke zdroji napájení a zda není poškozeno osvětlení.• Žárovku osvětlení nechte vyměnit u odborníka.
Dvířka nelze správně zavřít.	<ul style="list-style-type: none">• Dvířka jsou zaseknutá obaly potravin. Je vloženo příliš mnoho potravin.• Spotřebič je nakloněný.
Hlasitý zvuk.	<ul style="list-style-type: none">• Zkontrolujte, zda je podlaha rovná a zda je spotřebič umístěn stabilně.• Zkontrolujte, zda je příslušenství umístěno na správných místech.
Těsnění dvířek netěsní.	<ul style="list-style-type: none">• Odstraňte cizí předměty z těsnění dvířek.• Zahřejte těsnění dvířek a poté ochladte kvůli obnově (nebo těsnění vyfoukejte elektrickým vysoušečem nebo použijte horký ručník na ohřev).
Zásobník na vodu přetéká.	<ul style="list-style-type: none">• V prostoru je velmi mnoho potravin nebo uložené potraviny obsahují velmi hodně vody, což vede k silnému odmrazování.• Dvířka nejsou správně zavřena, což má za následek námrazu v důsledku vstupu vzduchu a zvýšenou hladinu vody v důsledku odmrazování.
Horký vnější povrch spotřebiče.	<ul style="list-style-type: none">• Odvod tepla vestavěného kondenzátoru přes kryt, což je normální.• Když se povrch přehřeje v důsledku vysoké okolní teploty, skladování velmi velkého množství potravin nebo vypnutí kompresoru, zajistěte dostatečnou ventilaci, aby se usnadnil odvod tepla.
Kondenzace vlhkosti na povrchu.	<ul style="list-style-type: none">• Kondenzace vlhkosti na vnějším povrchu a těsnění dvířek spotřebiče je normální, když je okolní vlhkost velmi vysoká. Kondenzát stačí otřít čistou utěrkou.
Abnormální hluk.	<ul style="list-style-type: none">• Bzučení: Kompresor může během provozu vydávat bzučení. Bzučení je hlasité zejména při jeho spuštění nebo zastavení. Toto je normální.• Vrzání: Chladivo proudící uvnitř spotřebiče může způsobovat vrzání, což je normální.

ČÁST 6: INFORMAČNÍ LIST

Informační list

PHILCO 

NAŘÍZENÍ KOMISE V PŘENESENÉ PRÁVOMOCI (EU) 2019/2016 o uvádění spotřeby energie na energetických štítcích chladicích spotřebičů

Název nebo ochranná známka výrobce: PHILCO

Adresa výrobce: PHILCO, U Sanitasu 1621, 25101 Říčany, CZ

Identifikační značka modelu: PCN310EW / PCN310EX

Typ chladicího zařízení:

Nízkohlučný spotřebič:	Ne	Typ spotřebiče:	volně stojící
Zařízení pro skladování vína:	Ne	Ostatní chladicí spotřebiče	Ano

Základní specifikace:

Parametr	Hodnota	Parametr	Hodnota
Rozměry v mm	Výška	Celkový objem (dm ³ nebo l)	310
	Šířka		
	Hloubka		
Index energetické účinnosti (EEL)	100	Třída energetické účinnosti*	E
Akustický zvuk emise hluku (dB(A) re 1 pW)	42	Třída akustických emisí hluku	D
Roční spotřeba energie (kWh/rok)	235	Klimatická třída:	mírné, subtropické pásmo,
Minimální okolní teplota (° C), pro které je chladicí zařízení vhodné	16	Maximální okolní teplota (° C), pro které je chlazení zařízení je vhodné	38
Nastavení spotřebiče na zimu	Ne		

Specifikace prostoru

Typ prostoru	Parametry a hodnoty chladicího prostoru				Typ odmrazování: (auto- odmrazování = A manuální odmrazování = M)
	Objem spotřebiče (dm ³ nebo l)	Doporučené nastavení teploty pro optimalizované skladování potravin (° C)	Mrazicí kapacita (kg/24h)		
Komora / spíž	Ne	-	-	-	-
Skladování vína	Ne	-	-	-	-
Sklepní prostor	Ne	-	-	-	-

Čerstvé potraviny	Ano	224,0	4	-	A
Mrazicí prostor	Ne	-	-	-	-
0-hvězdička nebo výrobník ledu	Ne	-	-	-	-
1-hvězdička	Ne	-	-	-	-
2-hvězdička	Ne	-	-	-	-
3-hvězdička	Ne	-	-	-	-
4-hvězdička	Ano	86,0	-18	3,9	A
2-hvězdičkový prostor	Ne	-	-	-	-
Zásuvka s měnící se teplotou	Ne	-	-	-	-
4-hvězdičkový prostor					
Funkce rychlého zmrazení			Ano		
Parametry světelného zdroje:					
Typ světelného zdroje			LED		
Třída energetické účinnosti			F		
Minimální doba trvání záruky nabízené výrobcem: 24 měsíců					
Dodatečné informace:					
Webový odkaz na web výrobce, kde jsou informace uvedené v bodě 4 (a) přílohy nařízení Komise (EU) 2019/2022 nalezeno: www.philco.cz					

TECHNICKÉ INFORMACE

Technické informace se nachází na typovém štítku na vnitřní straně spotřebiče a na energetickém štítku. QR kód, na dodaném energetickém štítku, obsahuje odkaz na registraci spotřebiče v databázi EU Eprel. Uchovejte si energetický štítek, návod k použití, spolu s dalšími dokumenty dodanými s přístrojem.

INFORMACE O TESTOVÁNÍ

Dodané zařízení je v souladu s Ecodesignem a EN 62552:2020, Regulation (EU) 2019/2016, Regulation (EU) 2019/2019 and Framework Regulation (EU) 2017/1369). Požadavky na přístup vzduchu pro správný provoz přístroje, minimální vzdálenost od zdi a rozměry přístroje, jsou součástí tohoto návodu. V případě dalších dotazů se obraťte na výrobce.

PÉČE O ZÁKAZNÍKA A SERVIS

Vždy používejte pouze originální náhradní díly.

Označení modelu a sériové číslo naleznete na typovém štítku. Polohu typového štítku je možné změnit bez předchozího upozornění.

Originální náhradní díly pro některé konkrétní komponenty jsou k dispozici minimálně 7 nebo 10 let.

Závisí to na typu komponentu a na uvedení posledního spotřebiče daného modelu na trh.

Při kontaktování našeho autorizovaného servisu mějte k dispozici modelové označení, sériové číslo a popis závady.

Pro stažení dokumentů navštivte www.philco.cz.

Pro nahlášení závady a získání dalších servisních informací navštivte <https://philco.cz/podpora-a-servis>.

Změny vyhrazeny bez předchozího upozornění.

POKYNY A INFORMACE TÝKAJÍCÍ SE LIKVIDACE POUŽITÝCH OBALOVÝCH MATERIÁLŮ

Obalové materiály zlikvidujte na veřejném místě pro likvidaci odpadu.

LIKVIDACE POUŽITÝCH ELEKTRICKÝCH A ELEKTRONICKÝCH SPOTŘEBIČŮ



Význam symbolu na výrobku, jeho příslušenství nebo obalu znamená, že s tímto výrobkem nesmí být zacházeno jako s komunálním odpadem. Tento výrobek zlikvidujte na příslušném sběrném místě pro recyklaci odpadu z elektrických a elektronických zařízení. Popřípadě je možné v některých státech Evropské unie nebo jiných evropských státech vrátit své výrobky místnímu prodejci, v případě koupě obdobného nového výrobku. Správná likvidace tohoto výrobku pomůže ušetřit cenné přírodní zdroje a pomoci při prevenci případného negativního vlivu na životní prostředí a lidské zdraví, ke kterému by mohlo dojít v důsledku nesprávné likvidace odpadu. Podrobnější informace získáte od místního úřadu nebo v nejbližším středisku pro sběr odpadu. Nesprávná likvidace tohoto typu odpadu může podléhat vnitrostátním předpisům o pokutách.

Pro podnikatelské subjekty v Evropské unii

Chcete-li zlikvidovat elektrické nebo elektronické zařízení, vyžádejte si potřebné informace od svého prodejce nebo dodavatele.

Likvidace v jiných státech mimo Evropské unie

Chcete-li zlikvidovat tento výrobek, vyžádejte si potřebné informace o správném způsobu likvidace od místních úřadů nebo svého prodejce.



Tento výrobek splňuje všechny základní požadavky nařízení EU, které se na něj vztahují.

Změny v textu, designu a technických údajích se mohou vyskytnout bez předchozího upozornění a vyhrazujeme si právo provést tyto změny.

Originál tohoto návodu k obsluze je v českém jazyce.

CHLADNIČKA - MRAZNIČKA

NÁVOD NA OBSLUHU

PHILCO




Famous for Quality the World Over

PCN 310 EW
PCN 310 EX

**Vážený zákazník,
ďakujeme vám za kúpu produktu značky PHILCO. Aby vám váš spotrebič dobre slúžil, prečítajte si,
prosím, pozorne všetky pokyny v tejto používateľskej príručke.**

OBSAH

ČASŤ 1: BEZPEČNOSTNÉ POKYNY	2
1.1 Význam bezpečnostných varovných symbolov	12
1.2 Varovania súvisiace s elektrinou	12
1.3 Varovania týkajúce sa používania	13
1.4 Varovania týkajúce sa umiestnenia.....	14
ČASŤ 2: SPRÁVNE POUŽÍVANIE SPOTREBIČA.....	15
2.1 Umiestnenie.....	15
2.2 Vyrovnanie spotrebiča.....	16
2.3 Zmena smeru otvárania dvierok spotrebiča	17
2.4 Výmena žiarovky osvetlenia	20
2.5 Začatie prevádzky	20
2.6 Tipy na úsporu energie.....	20
ČASŤ 3: ŠTRUKTÚRA A FUNKCIE SPOTREBIČA.....	21
3.1 Hlavné diely spotrebiča	21
3.2 Funkcie	22
ČASŤ 4: ÚDRŽBA A STAROSTLIVOSŤ O SPOTREBIČ	24
4.1 Celkové čistenie	24
4.2 Odmrazovanie.....	25
4.3 Spotrebič mimo prevádzky	25
ČASŤ 5: RIEŠENIE PROBLÉMOV	26
ČASŤ 6: INFORMAČNÝ LIST.....	27

 Zariadenie bolo testované podľa platných smerníc Európskej únie. Zariadenie vyhovuje bezpečnostným ustanoveniam platným pre elektrické spotrebiče v Európskej únii.

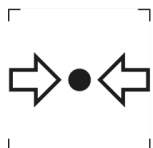
ČASŤ 1: BEZPEČNOSTNÉ POKYNY



Z DÔVODU VAŠEJ BEZPEČNOSTI A SPRÁVNEHO POUŽITIA, EŠTE PRED INŠTALÁCIOU A PRVÝM POUŽITÍM SPOTREBIČA, SI POZORNE PREČÍTAJTE TENTO NÁVOD NA OBSLUHU, VRÁTANE TÝCHTO TIPOV A VAROVANÍ. ABY STE ZABRÁNILI NEŽIADUCIM CHYBÁM A NEHODÁM, JE DÔLEŽITÉ ZAISTIŤ, ABY SA VŠETKY OSOBY POUŽÍVAJÚCE TENTO SPOTREBIČ DÔKLADNE ZOZNÁMILI S JEHO OBSLUHOU A BEZPEČNOSTNÝMI FUNKCIAMI. USCHOVAJTE SI TIETO POKYNY A V PRÍPADE PREDANIA SPOTREBIČA SA UISTITE, ČI ZOSTAL TENTO NÁVOD V SPOTREBIČI TAK, ABY BOL POUŽÍVANÝ V PRIEBEHU CELEJ ŽIVOTNOSTI A SPRÁVNE INFORMOVAL O SPRÁVНОM POUŽÍVANÍ SPOTREBIČA A BEZPEČNOSTI. Z BEZPEČNOSTNÝCH DÔVODOV A PRE OCHRANU MAJETKU DODRŽIAVAJTE POKYNY V TOMTO NÁVODE, PRETOŽE VÝROBCA NENESIE ŽIADNU ZODPOVEDNOSŤ ZA POŠKODENIA SPÔSOBENÉ NEDODRŽANÍM TÝCHTO POKYNOV.

- TENTO SPOTREBIČ MÔŽU POUŽÍVAŤ DETI OD 8 ROKOV A OSOBY S OBMEDZENÝMI FYZICKÝMI, SENZORICKÝMI ALEBO MENTÁLNYMI SCHOPNOSŤAMI, ALEBO BEZ DOSTATOČNÝCH SKÚSENOSTÍ A ZNALOSTÍ, AK SÚ POD DOHĽADOM ALEBO BOLI POUČENÉ O SPRÁVНОM A BEZPEČНОM POUŽITÍ SPOTREBIČA A POROZUMELI MOŽNÝM RIZIKÁM.
- DETI VO VEKU 3 AŽ 8 ROKOV MÔŽU VKLADAŤ A VYBERAŤ POTRAVINY Z CHLADIACICH SPOTREBIČOV.
- DETI SA SO SPOTREBIČOM NESMÚ HRAŤ.
- ČISTENIE A ÚDRŽBU NESMÚ VYKONÁVAŤ DETI BEZ DOZORU.

- AK JE NAPÁJACÍ KÁBEL POŠKODENÝ, JEHO VÝMENU ZVERTE ODBORNÉMU SERVISNÉMU STREDISKU, ABY SA ZABRÁNILO VZNIKU NEBEZPEČENEJ SITUÁCIE. SPOTREBIČ S POŠKODENÝM NAPÁJACÍM KÁBLOM JE ZAKÁZANÉ POUŽÍVAŤ.
- **VAROVANIE:** VETRACIE OTVORY V KRYTE SPOTREBIČA ALEBO V JEHO KONŠTRUKCII JE POTREBNÉ UDRŽIAVAŤ VOĽNÉ.
- **VAROVANIE:** NA URÝCHLENIE PROCESU ODMRAZOVANIA NEPOUŽÍVAJTE MECHANICKÉ ZARIADENIA ANI INÉ PROSTRIEDKY AKO SÚ TIE, KTORÉ SÚ ODPORÚČANÉ VÝROBCOM.
- **VAROVANIE:** NEPOŠKODZUJTE CHLADIACI OBVOD.
- **VAROVANIE:** NEPOUŽÍVAJTE ELEKTRICKÉ SPOTREBIČE V PRIESTORE NA UCHOVÁVANIE POTRAVÍN SPOTREBIČA, AK SA NEJEDNÁ O TYPY ODPORÚČANÉ VÝROBCOM.
- **VAROVANIE:** VO VNÚTRI SKLADOVACIEHO PRIESTORU SPOTREBIČA NEPOUŽÍVAJTE ELEKTRICKÉ ZARIADENIA, POKIAĽ NEJDE O TYP, KTORÝ JE ODPORÚČANÝ VÝROBCOM.



ZNAČKA ISO 7000-1701 (2004-01)
OZNAČUJE MÉDIUM POD TLAKOM.

TENTO SPOTREBIČ JE URČENÝ NA POUŽITIE V DOMÁCNOSTI A NA PODOBNÉ ÚČELY, AKO SÚ NAPRÍKLAD:

- KUCHYNKY PRE ZAMESTNANCOV V PREDAJNIACH, KANCELÁRIÁCH A INÝCH PRACOVNÝCH PROSTREDIACH;
- NA FARMÁCH A KLIENTMI HOTELOV, MOTELOV A INÝCH PROSTREDÍ REZIDENČNÉHO TYPU;
- PROSTREDIE UBYTOVANIA S RAŇAJKAMI;
- STRAVOVANIE A PODOBNÉ MALOOBCHODNÉ VYUŽITIA.

● **UPOZORNENIE:** SPOTREBIČ MUSÍ BYŤ PRIPOJENÝ PODĽA NÁVODU, ABY SA ZABRÁNILO NEBEZPEČENSTVU SPÔSOBENÉMU JEHO NESTABILITOU.



VAROVANIE:
NEBEZPEČENSTVO POŽIARU/HORĽAVÉ MATERIÁLY!

OBSAHUJE CHLADIACI PLYN IZOBUTÁN


R600a

CHLADIVO

CHLADIACI IZOBUTÁN (R600a), KTORÝ JE OBSIAHNUTÝ V CHLADIACOM OKRUHU SPOTREBIČA, JE PRÍRODNÝ PLYN S VYSOKOU KOMPATIBILITOU SO ŽIVOTNÝM PROSTREDÍM, KTORÝ JE PREDSA LEN HORĽAVÝ. POČAS PREPRAVY A INŠTALÁCIE SPOTREBIČA ZABRÁŇTE POŠKODENIU KOMPONENTOV CHLADIACEHO OKRUHU. CHLADIVO (R600a) JE HORĽAVÉ.

• **VAROVANIE** — CHLADNIČKY V IZOLÁCII OBSAHUJÚ CHLADIVO A CHLADIACE PLYNY. CHLADIVO A CHLADIACE PLYNY MUSIA BYŤ LIKVIDOVANÉ ODBORNE, PRETOŽE MÔŽU SPÔSOBIŤ PORANENIE OČÍ ALEBO VZNIETENIE. PRED VYKONANÍM SPRÁVNEJ LIKVIDÁCIE SA UISTITE, ČI NIE JE POTRUBIE CHLADIACEHO OKRUHU POŠKODENÉ.



SYMBOL  VAROVANIE A ZNAMENÁ TO, ŽE CHLADIVO A CHLADIACE PLYNY SÚ HORĽAVÉ.

VAROVANIE: RIZIKO POŽIARU HORĽAVÝCH MATERIÁLOV

AK BY DOŠLO K POŠKODENIU CHLADIACEHO OKRUHU:

- VYHNITE SA OTVORENÉMU OHŇU A ZDROJOM VZNIETENIA.
- DÔKLADNE VYVETRAJTE MIESTNOSŤ, V KTOREJ SA SPOTREBIČ NACHÁDZA.

JE NEBEZPEČNÉ MENIŤ ALEBO UPRAVOVAŤ SPOTREBIČ AKÝMKOĽVEK SPÔSOBOM.

AKÉKOĽVEK POŠKODENIE NAPÁJACIEHO KÁBLA MÔŽE VIESŤ K SKRATU, POŽIARU A/ALEBO ZASIAHNUTIU ELEKTRICKÝM PRÚDOM.

● **UPOZORNENIE:** PRI UMIESTNENÍ SPOTREBIČA SA UISTITE, ČI NIE JE NAPÁJACÍ KÁBEL ZACHYTENÝ ALEBO POŠKODENÝ.

● **UPOZORNENIE:** NEUMIESTŇUJTE MNOHOPOČETNÉ PRENOSNÉ ZÁSUVKY ALEBO PRENOSNÉ ZDROJE NAPÁJANIA NA ZADNÚ STRANU SPOTREBIČA.

OHĽADOM OPRAVY ALEBO VÝMENY OSVETLENIA, KONTAKTUJTE SERVISNÉ STREDISKO.

● OTVORENIE DVIEROK NA DLHŠÍ ČAS MÔŽE SPÔSOBIŤ VÝRAZNÉ ZVÝŠENIE TEPLoty V PRIESTOROCH SPOTREBIČA.

● JE POTREBNÉ PRAVIDELNE ČISTIŤ POVRCHY, KTORÉ MÔŽU PRÍŠŤ DO KONTAKTU S POTRAVINAMI A PRÍSTUPNÉ DRENÁŽNE SYSTÉMY

● SUROVÉ MÄSO A RYBY JE POTREBNÉ UKLADAŤ DO CHLADNIČKY VO VHODNÝCH OBALOCH, TAK ABY NEBOLI V KONTAKTE S INÝMI POTRAVINAMI ALEBO NA NE NEKVAPKALI.

● DVOJHVIEZDIČKOVÉ MRAZIACE PRIESTORY SÚ VHODNÉ NA UKLADANIE VOPRED ZMRAZENÝCH POTRAVÍN, ULOŽENIE ALEBO NA VÝROBU ZMRZLINY A VÝROBU KOCIEK ĽADU.

● JEDNO, DVOJ A TROJHVIEZDIČKOVÉ PRIESTORY NIE SÚ VHODNÉ NA MRAZENIE ČERSTVÝCH POTRAVÍN.

POKIAĽ SA CHLADIACI SPOTREBIČ ZANECHÁVA PRÁZDNY NA DLHŠÍ ČAS, JE POTREBNÉ HO VYPNÚŤ, ODMRAZIŤ, VYČISTIŤ, VYSUŠIŤ A NECHAŤ DVIERKA OTVORENÉ, ABY SA ZABRÁNILO TVORBE PLESNE VO VNÚTRI SPOTREBIČA.



ELEKTRICKÁ BEZPEČNOSŤ

1. NAPÁJACÍ KÁBEL NESMIE BYŤ PREDLŽOVANÝ.
2. UISTITE SA, ČI NIE JE ZÁSTRČKA NAPÁJACIEHO KÁBLA POŠKODENÁ.
ROZDRVENÁ ALEBO POŠKODENÁ ZÁSTRČKA SA MÔŽE PREHRIEVAŤ A SPÔSOBIŤ POŽIAR.
3. UISTITE SA, ČI MÁTE VOĽNÝ PRÍSTUP K ZÁSTRČKE SPOTREBIČA.
4. NEŤAHAJTE ZA NAPÁJACÍ KÁBEL.
5. AK JE ELEKTRICKÁ ZÁSUVKA UVOĽNENÁ, NEPRIPÁJAJTE K NEJ ZÁSTRČKU. HROZÍ RIZIKO ZASIAHNUTIA ELEKTRICKÝM PRÚDOM ALEBO VZNIKU POŽIARU.
6. NESMIETE POUŽÍVAŤ TENTO SPOTREBIČ BEZ KRYTU VNÚTORNÉHO OSVETLENIA.
7. CHLADNIČKA JE URČENÁ LEN NA NAPÁJANIE Z JEDNEJ FÁZY STRIEDAVÉHO PRÚDU S HODNOTAMI 220~240 V/50 HZ. AK JE KOLÍSANIE NAPÄTIA V MIESTE BYDLISKA POUŽÍVATEĽA TAK VEĽKÉ, ŽE PRESAHUJE VYŠŠIE UVEDENÉ LIMITY, Z BEZPEČNOSTNÝCH DÔVODOV POUŽITE PRE CHLADNIČKU AUTOMATICKÝ NAPÄŤOVÝ REGULÁTOR S VIAC AKO 350 W.

CHLADNIČKA MUSÍ BYŤ VYBAVENÁ ŠPECIÁLNOU NAPÁJACOU ZÁSTRČKOU NAMIESTO BEŽNEJ S INÝMI ELEKTRICKÝMI SPOTREBIČMI. ZÁSTRČKA MUSÍ ZODPOVEDAŤ ZÁSUVKE S UZEMŇOVACÍM KONTAKTOM.

BEŽNÉ POUŽITIE

- V SPOTREBIČI NESKLADUJTE HORĽAVÉ PLYNY ANI TEKUTINY. HROZÍ RIZIKO EXPLÓZIE.
- V SPOTREBIČI NEPOUŽÍVAJTE INÉ ELEKTRICKÉ SPOTREBIČE (NAPR. ELEKTRICKÝ VÝROBNÍK ZMRZLINY, MIXÉRY ATĎ.).
- PRI ODPÁJANÍ SPOTREBIČA Z ELEKTRICKEJ ZÁSUVKY, VŽDY ŤAHAJTE ZA ZÁSTRČKU. NEŤAHAJTE ZA KÁBEL.
- DO BLÍZKOSTI PLASTOVÝCH DIELOV TOHTO SPOTREBIČA NEDÁVAJTE HORÚCE PREDMETY.
- NEDÁVAJTE ŽIADNE PREDMETY DO BLÍZKOSTI VZDUCHOVÝCH OTVOROV V ZADNEJ STENE.
- BALENÉ MRAZENÉ POTRAVINY SKLADUJTE V SÚLADE S POKYNNI VÝROBCU MRAZENÝCH POTRAVIN.
- MALI BY STE STRIKTNE DODRŽIAVAŤ ODPORÚČANIA TÝKAJÚCE SA SKLADOVANIA V SPOTREBIČI OD VÝROBCU. POZRITE SI PRÍSLUŠNÉ POKYNY O SKLADOVANÍ.
- DO MRAZIACEHO PRIESTORU NEDÁVAJTE SÝTENÉ ALEBO ŠUMIVÉ NÁPOJE, PRETOŽE VYTVÁRAJÚ TLAK NA NÁDOBU, KTORÁ MÔŽE EXPLODOVAŤ, ČO MÔŽE VIESŤ K POŠKODENIU SPOTREBIČA.
- NEKONZUMUJTE MRAZENÉ POKRMY IHNEĎ PO VYBRATÍ Z MRAZNIČKY, MÔŽETE SA PORANIŤ.
- NEUMIESTŇUJTE SPOTREBIČ NA PRIAME SLNEČNÉ SVETLO.
- MAJTE HORIACE SVIEČKY, LAMPY A INÉ PREDMETY S OTVORENÝM OHŇOM V DOSTATOČNEJ VZDIALENOSTI OD SPOTREBIČA, ABY STE ZABRÁNILI RIZIKU POŽIARU.

- SPOTREBIČ JE URČENÝ NA USKLADNENIE POKRMOV A/ ALEBO NÁPOJOV V BEŽNEJ DOMÁCNOSTI PODĽA POPISU V NÁVODE. SPOTREBIČ JE ŤAŽKÝ. ZVÝŠTE POZORNOSŤ PRI JEHO PREMIESTŇOVANÍ.
- NEVYBERAJTE ANI SA NEDOTÝKAJTE POLOŽIEK V PRIESTORE MRAZENIA, AK MÁTE VLHKÉ/MOKRÉ RUKY, PRETOŽE TO MÔŽE VIESŤ K PORANENIAM POKOŽKY ALEBO POPÁLENINÁM Z MRAZU.
- NIKDY NEPOUŽÍVAJTE DNO, ZÁSUVKY, DVIERKA A POD. NA STÚPANIE ALEBO AKO PODPERU.
- MRAZENÉ POTRAVINY, NESMÚ BYŤ PO ROZMRAZENÍ OPĀTOVNE ZMRAZENÉ.
- NEKONZUMUJTE ĽADOVÉ NANUKY ALEBO KOCKY ĽADU HNEĎ PO VYBRATÍ Z MRAZNIČKY, PRETOŽE BY STE SI TAK MOHLI PORANIŤ ÚSTA A PERY.
- ABY STE ZABRÁNILI PÁDU PREDMETOV A ZRANENIU ALEBO POŠKODENIU SPOTREBIČA, NEPREŤAŽUJTE PRIEHRADKY DVIEROK ANI DO ZÁSUVIEK NEDÁVAJTE NADMERNÉ MNOŽSTVO POTRAVÍN.




INŠTALÁCIA

DÔLEŽITÉ!

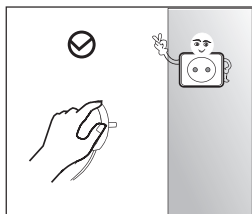
- PRI PRIPOJENÍ K ELEKTRICKEJ SIETI BUĎTE OPATRNÍ, DODRŽIAVAJTE POKYNY V TOMTO NÁVODE. SPOTREBIČ VYBALTE A SKONTROLUJTE HO Z HĽADISKA VIDITEĽNÝCH POŠKODENÍ.
- AK JE SPOTREBIČ POŠKODENÝ, NEPRIPÁJAJTE HO. OZNÁMTE PRÍPADNÉ POŠKODENIE V MIESTE ZAKÚPENIA. V TOMTO PRÍPADE SI NECHAJTE OBALOVÝ MATERIÁL.
- ODPORÚČA SA POČKAŤ NIEKOĽKO HODÍN, PRED PRIPOJENÍM SPOTREBIČA, ABY SA OLEJ V KOMPRESORE USTÁLIL.
- OKOLO SPOTREBIČA ZAISTITE DOSTATOČNÉ VETRANIE, V OPAČNOM PRÍPADE MÔŽE DOCHÁDZAŤ K PREHRIEVANIU. NA DOSIAHNUTIE DOSTATOČNÉHO VETRANIA DODRŽIAVAJTE POKYNY NA INŠTALÁCIU.
- AK JE TO MOŽNÉ, ZADNÁ STENA SPOTREBIČA BY NEMALA BYŤ VEĽMI BLÍZKO STENY A NEMAL BY SA DOTÝKAŤ HORÚCICH ČASTÍ (KOMPRESOR, KONDENZÁTOR), ABY SA ZABRÁNILO RIZIKU POŽIARU, DODRŽIAVAJTE PRÍSLUŠNÉ POKYNY NA INŠTALÁCIU.
- SPOTREBIČ NESMIE BYŤ UMIESTNENÝ V BLÍZKOSTI RADIÁTOROV ALEBO SPORÁKOV.
- PO INŠTALÁCII SPOTREBIČA SA UISTITE, ČI JE SIEŤOVÁ ZÁSTRČKA ĽAHKO PRÍSTUPNÁ.
- ODLOŽTE VŠETKY OBALY MIMO DOSAHU DETÍ, PRETOŽE HROZÍ RIZIKO UDUSENIA.
- VNÚTORNÝ PRIESTOR VAŠEJ CHLADNIČKY / MRAZNIČKY MÔŽE PRED PRVÝM POUŽITÍM ZAPÁCHAŤ. JE TO NORMÁLNY JAV. ZÁPACH ZMIZNE, AKONÁHLE ZAČNE ZARIADENIE CHLADIŤ/ MRAZIŤ.

- PRED PRIPOJENÍM CHLADNIČKY / MRAZNIČKY SA UISTITE, ŽE NAPÄTIE V ELEKTRICKEJ SIETI ZODPOVEDÁ POŽIADAVKÁM NA PRIPOJENIE CHLADNIČKY / MRAZNIČKY. V PRÍPADE POCHYBNOSTÍ SA OBRÁŤTE NA KVALIFIKOVANÉHO ELEKTRIKÁRA.
- SPOTREBIČ MUSÍ BYŤ PRIPOJENÝ DO ZÁSUVKY S ODPOVEDAJÚCIM NAPÄTÍM A SPRÁVNE NAINŠTALOVANOU POISTKOVOU ZÁSUVKOU.
- CHLADNIČKA / MRAZNIČKA NESMIE BYŤ UMIESTNENÁ VONKU ALEBO VYSTAVENÁ DAŽĎU.
- CHLADNIČKA / MRAZNIČKA MUSÍ BYŤ UMIESTNENÁ NAJMEŇ 50 CM OD VYKUROVACÍCH TELIES, KÚRENIA RÚR, PLYNOVÝCH RÚR ATĎ.
- AK JE CHLADNIČKA S MRAZNIČKOU UMIESTNENÁ VEDĽA MRAZNIČKY, MUSÍ MEDZI NIMI BYŤ MIN. 2 CM ROZOSTÚP.
- NA CHLADNIČKU / MRAZNIČKU NEKLAĎTE ŤAŽKÉ VECI, NEZAKRÝVAJTE JU.
- NAD CHLADNIČKOU / MRAZNIČKOU MUSÍ BYŤ MIN. 100 - 150 MM VOĽNÝ PRIESTOR.
- TENTO SPOTREBIČ JE VYROBENÝ NA POUŽITIE V DOMÁCNOSTIACH A JE VHODNÝ IBA PRE CHLADENIE/ MRAZENIE POTRAVÍN. NIE JE VHODNÝ PRE KOMERČNÉ POUŽITIE ALEBO NA USKLADNENIE LÁTKO S VÝNIMKOU POTRAVÍN. VÝROBCA NENESIE ZODPOVEDNOSŤ ZA ŽIADNE STRATY, SPÔSOBENÉ NEVHODNÝM POUŽITÍM SPOTREBIČA.

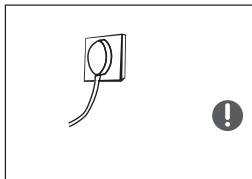
1.1 Význam bezpečnostných varovných symbolov

 Symbol zákazu	Toto je symbol zákazu. Akékoľvek nedodržanie pokynov označených týmto symbolom môže viesť k poškodeniu produktu alebo k ohrozeniu osobnej bezpečnosti používateľa.
 Varovný symbol	Toto je varovný symbol. Je potrebné dôsledne dodržiavať pokyny označené týmto symbolom; inak môže dôjsť k poškodeniu produktu alebo zraneniu osôb.
 Symbol poznámky	Toto je symbol upozornenia. Pokyny označené týmto symbolom vyžadujú osobitnú opatrnosť. Nedostatočná opatrnosť môže viesť k ľahkému alebo stredne ťažkému zraneniu alebo poškodeniu produktu.

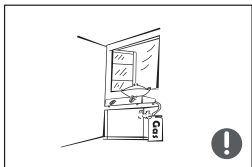
1.2 Varovania súvisiace s elektrinou



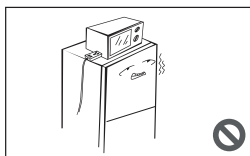
- Pri vytáhaní zástrčky spotrebiča neťahajte za napájací kábel. Pevne uchopte zástrčku a vytiahnite ju priamo z elektrickej zásuvky.
- Aby ste zaistili bezpečné používanie, nepoškodzujte napájací kábel a nepoužívajte napájací kábel, keď je poškodený alebo opotrebovaný.



- Použite prosím vyhradenú elektrickú zásuvku a zásuvka sa nesmie zdieľať s inými elektrickými spotrebičmi.
- Zástrčka by mala byť pevne v kontakte s elektrickou zásuvkou, inak by mohlo dôjsť k požiaru.
- Uistite sa, či je uzemňovacia elektróda elektrickej zásuvky vybavená spoľahlivým uzemňovacím vedením.

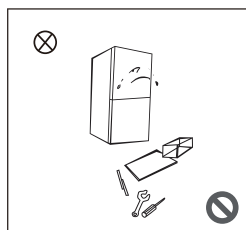


- V prípade úniku plynu a iných horľavých plynov zatvorte ventil unikajúceho plynu a potom otvorte dvere a okná.
- Neodpájajte spotrebič a iné elektrické spotrebiče, pretože iskra môže spôsobiť požiar.

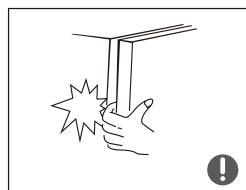


- Na hornej strane spotrebiča nepoužívajte elektrické spotrebiče, pokiaľ nie sú typom odporúčaným výrobcom.

1.3 Varovania týkajúce sa používania



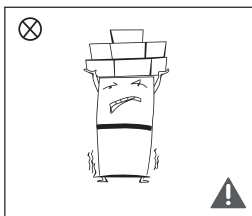
- Spotrebič svojvoľne nerozoberajte ani nerekonštruujte, ani nepoškodujte chladiaci okruh; údržbu spotrebiča musí vykonávať odborník.
- Poškodený napájací kábel musí vymeniť výrobca, jeho oddelenie údržby alebo podobní odborníci, aby sa predišlo nebezpečenstvu.



- Medzery medzi dverkami spotrebiča a medzi dverkami a telom spotrebiča sú malé, do týchto oblastí nevkladajte ruku, aby ste si nestlačili prst. Pri zatváraní dverok spotrebiča buďte opatrní, aby ste predišli pádu predmetov.
- Keď je spotrebič v prevádzke, nevyberajte potraviny alebo nádoby mokrými rukami z mraziaceho priestoru, najmä kovové nádoby, aby ste predišli omrzlinám.

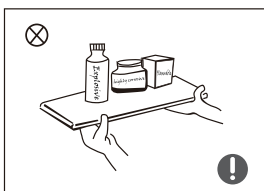


- Nedovoľte žiadnemu dieťaťu dostať sa do spotrebiča alebo liezť na spotrebič; v opačnom prípade môže dôjsť k uduseniu alebo zraneniu dieťaťa pádom.

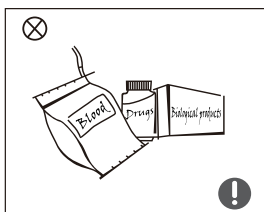


- Na hornú časť spotrebiča neumiestňujte ťažké predmety, pretože pri zatváraní alebo otváraní dvierok môžu predmety spadnúť a môže dôjsť k náhodnému zraneniu

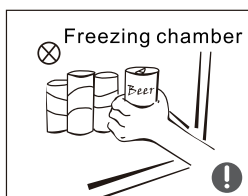
1.4 Varovania týkajúce sa umiestnenia



- Do spotrebiča nekladajte horľavé, výbušné, prchavé a vysoko korozívne predmety, aby ste predišli poškodeniu spotrebiča alebo vzniku požiaru.
- V blízkosti spotrebiča neumiestňujte horľavé predmety, aby nedošlo k požiaru.



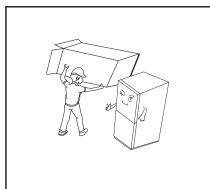
- Spotrebič je určený na použitie v domácnosti, ako je skladovanie potravín; nesmie sa používať na iné účely, ako je skladovanie krvi, liekov alebo biologických produktov a pod.



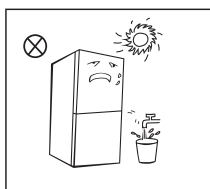
- Neskladujte pivo, nápoje alebo iné tekutiny vo fľašiach alebo uzavretých nádobách v mraziacom priestore spotrebiča; v opačnom prípade môžu fľaše alebo uzavreté nádoby prasknúť v dôsledku mrazu a spôsobiť škody.

ČASŤ 2: SPRÁVNE POUŽÍVANIE SPOTREBIČA

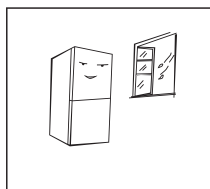
2.1 Umiestnenie



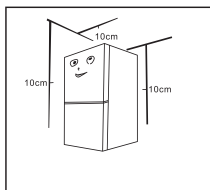
- Pred použitím odstráňte všetky obalové materiály, vrátane spodných tesnení, penových podložiek a pásov vo vnútri spotrebiča; odtrhnite ochrannú fóliu na dverkách a tele spotrebiča.



- Uchovávajte mimo dosahu tepla a vyhýbajte sa priamemu slnečnému žiareniu. Neumiestňujte spotrebič na vlhké alebo mokré miesta, aby ste predišli hrdzaveniu alebo zníženiu izolačného účinku.
- Spotrebič nestriekajte ani neumývajte; neumiestňujte spotrebič na vlhké miesta, ktoré sa dajú ľahko poliať vodou, aby sa neovplyvnili elektrické izolačné vlastnosti spotrebiča.



- Spotrebič by mal byť umiestnený na dobre vetranom mieste v interiéri; Podlaha musí byť rovná a pevná (otáčaním doľava alebo doprava nastavte koliesko na vyrovnanie, ak je spotrebič nestabilný).



- Tento spotrebič musí byť inštalovaný samostatne a nemôže byť použitý ako vstavaný spotrebič. V opačnom prípade to spôsobí problémy, ako napríklad zlyhanie inštalácie do skrinky, zníženie výkonu a životnosti produktu. A výrobca následne neposkytuje základnú záruku na výrobok.
- Priestor nad spotrebičom by mal byť väčší ako 10 cm a spotrebič by mal byť umiestnený pri stene s vzdialenosťou viac ako 10 cm, aby sa uľahčil odvod tepla.

Klimatická trieda a význam:

Popis	Trieda	Teplota okolia v °C
Rozšírené	SN	+10 až +32
Mierne pásmo	N	+16 až +32
Subtropické pásmo	ST	+16 až +38
Tropické pásmo	T	+16 až +43

Rozšírené mierne pásmo: Tento chladiaci spotrebič je určený na používanie pri teplote okolia v rozsahu od 10 °C do 32 °C;

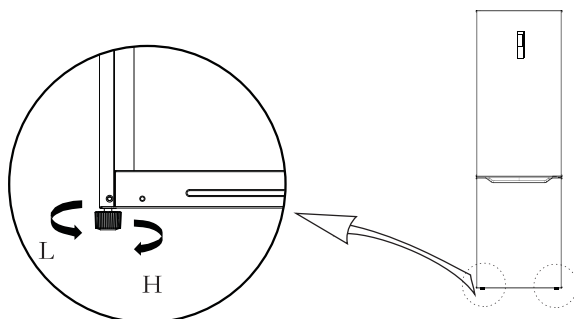
Mierne pásmo: Tento chladiaci spotrebič je určený na používanie pri teplote okolia v rozsahu od 16 °C do 32 °C;

Subtropické pásmo: Tento chladiaci spotrebič je určený na používanie pri teplote okolia v rozsahu od 16 °C do 38 °C;

Tropické pásmo: Tento chladiaci spotrebič je určený na používanie pri teplote okolia v rozsahu od 16 °C do 43 °C;

2.2 Vyrovnanie spotrebiča

Schematické zobrazenie vyrovnávacích nožičiek



(Vyššie uvedený obrázok je len orientačný. Skutočná konfigurácia bude závisieť od fyzického produktu alebo vyhlásenia distribútora)

Postup nastavenia:

- Otočte nožičky v smere hodinových ručičiek, aby ste spotrebič zdvihli;
- Otočte nožičky proti smeru hodinových ručičiek, aby ste spotrebič znížili;
- Nastavte pravú a ľavú nožičku podľa vyššie uvedených postupov do horizontálnej úrovne.

2.3 Zmena smeru otvárania dveriek spotrebiča

V prípade potreby je možné zmeniť stranu, do ktorej sa dverka otvárajú, z pravej strany (pri dodávke) na ľavú.

Zoznam nástrojov, ktoré má poskytnúť používateľ



Křížový škrutkovač



Tmelový nôž a plochý škrutkovač

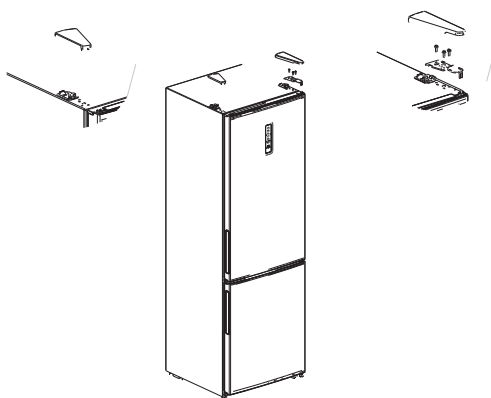


5/16"
klúč a račňa

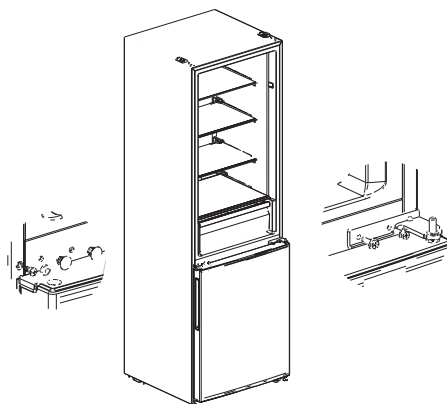


Maskovacia páska

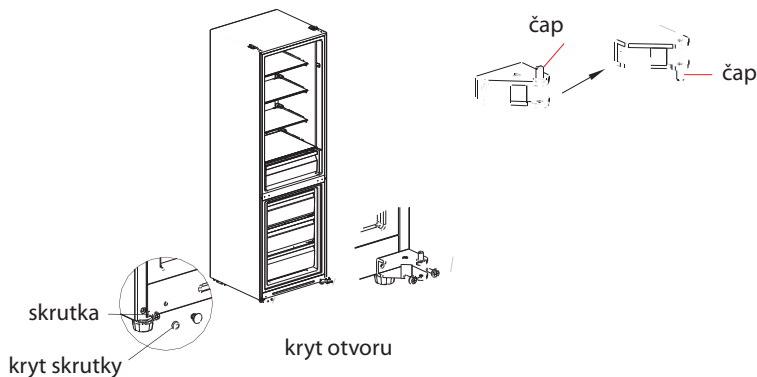
- 1) Pred vykonaním tejto operácie prosím vypnite tento spotrebič. Vyberte všetky potraviny z regálov dveriek.
- 2) Demontujte kryt horného závesu, odpojte signálne vodiče, horný záves a kryt otvoru na druhej strane, demontujte dverka chladiaceho priestoru.



- 3) Demontujte stredný záves, skrutky, kryty otvorov na skrutky a zložte dverka mraziaceho priestoru.



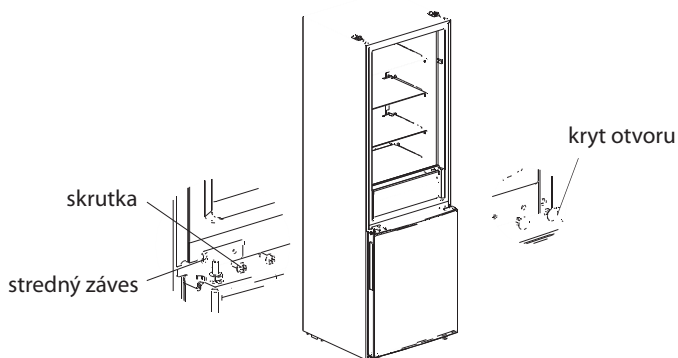
- 4) Demontujte spodný záves, kryty otvorov a skrutky, nainštalujte čap spodného závesu na druhú stranu spodného závesu a potom nainštalujte záves na druhú stranu.



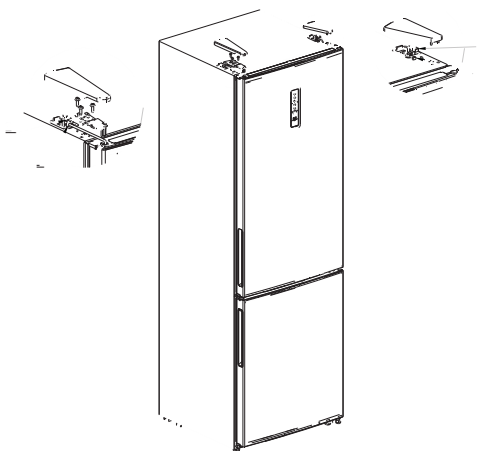
- 5) Demontujte skrutky, objímku a zarážku na spodnom koncovom kryte dvoch dvierok a nainštalujte ich postupne na druhú stranu telies dvierok (zarážku je potrebné vymeniť z vrečka s príslušenstvom). Potom demontujte horný koncový kryt dvierok chladiaceho priestoru a prehodte káblový zväzok s objímkovou rúrkou na druhú stranu telesa dvierok. Nakoniec nainštalujte objímku horného závesu na dvierkach chladiaceho priestoru do otvoru na druhej strane horného koncového krytu dvierok chladiaceho priestoru.



- 6) Nasadíte dverka mraziaceho priestoru na spodný záves, nainštalujete stredný záves, skrutky a kryty otvorov na skrutky.

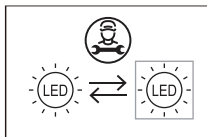


- 7) Umiestnite teleso dverok chladiaceho priestoru na stredný záves, potom nainštalujte horný záves na druhú stranu skrinky spotrebiča, nakoniec pripojte svorky 2 pre signálne vodiče na strane horného závesu a svorky 3,4 na druhú stranu a zakryte kryt závesu a kryt otvoru.



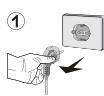

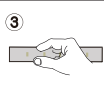

Vyššie uvedený obrázok je len orientačný.
Skutočná konfigurácia bude závisieť od fyzického produktu alebo vyhlásenia distribútora.

2.4 Výmena žiarovky osvetlenia

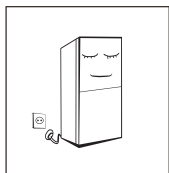


- Akúkoľvek výmenu alebo údržbu LED žiaroviek má vykonať výrobca, jeho servisný zástupca alebo podobne kvalifikovaná osoba.

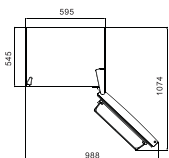
Svetelný zdroj v tomto produkte môžu vymeniť iba kvalifikovaní technici.

	1. Pred demontážou vytiahnite zástrčku.		2. Zložte tienidlo pomocou skrutkovača.
	3. Zložte panel lampy.		4. Demontujte pripájaciu svorku.

2.5 Začatie prevádzky



- Pred vložení akýchkoľvek čerstvých alebo mrazených potravín musí byť spotrebič v prevádzke 2-3 hodiny alebo viac ako 4 hodiny v lete, keď je okolitá teplota vysoká.
- V prípade výpadku dodávky elektrickej energie alebo čistenia vytiahnite zástrčku. Nepripájajte spotrebič k zdroju napájania do piatich minút, aby ste predišli poškodeniu kompresora v dôsledku následných štartov.



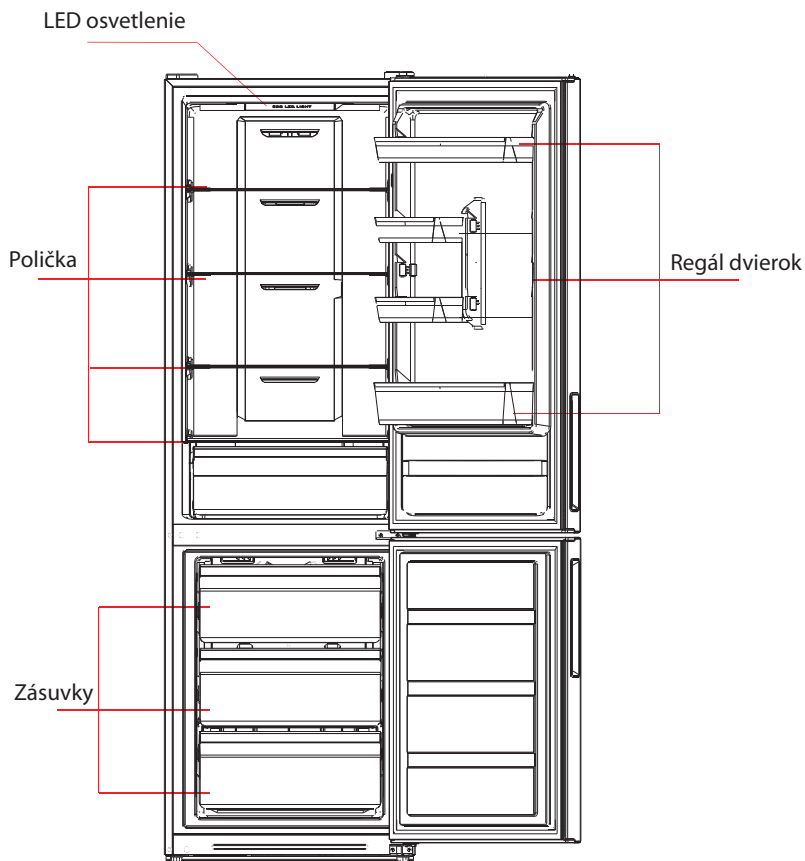
- Dostatok priestoru pre pohodlné otváranie dvierok a zásuviek.

2.6 Tipy na úsporu energie

- Spotrebič by mal byť umiestnený v najchladnejšej časti miestnosti, ďaleko od zariadení produkujúcich teplo alebo vykurovacích potrubí a mimo priameho slnečného žiarenia.
- Pred vložení do spotrebiča nechajte horúce potraviny vychladnúť na izbovú teplotu. Preťaženie spotrebiča núti kompresor pracovať dlhšie. Potraviny, ktoré sa zmrazujú veľmi pomaly, môžu stratiť kvalitu alebo sa pokaziť.
- Potraviny pred vložení do spotrebiča riadne zabaľte a utrite dosucha. Tým sa zníži tvorba námrazy vo vnútri spotrebiča.
- Úložný priestor spotrebiča by nemal byť vyložený hliníkovou fóliou, voskovým papierom alebo papierovou utierkou. Vložky narúšajú cirkuláciu studeného vzduchu, čo znižuje účinnosť spotrebiča.
- Usporiadajte a označte potraviny, aby ste znížili početnosť otvárania dvierok spotrebiča a zdlhové vyhľadávanie. Vyberte naraz toľko položiek, koľko potrebujete a čo najskôr zatvorte dvierka.

ČASŤ 3: ŠTRUKTÚRA A FUNKCIE SPOTREBIČA

3.1 Hlavné diely spotrebiča



(Vyššie uvedený obrázok je len orientačný. Skutočná konfigurácia bude závisieť od fyzického produktu alebo vyhlásenia distribútora!)

Chladiaci priestor

- Chladiaci priestor je vhodný na skladovanie rôznych druhov ovocia, zeleniny, nápojov a iných potravín určených na krátkodobú spotrebu, odporúčané obdobie skladovania je 3 až 5 dní.
- Varené jedlá sa nesmú vkladať do chladiaceho priestoru, kým nevychladnú na izbovú teplotu.
- Potraviny sa odporúča pred vloženíom do chladiaceho priestoru uzavrieť.
- Sklenené police je možné upraviť nahor alebo nadol, čím získate primeraný úložný priestor a jednoduché použitie.

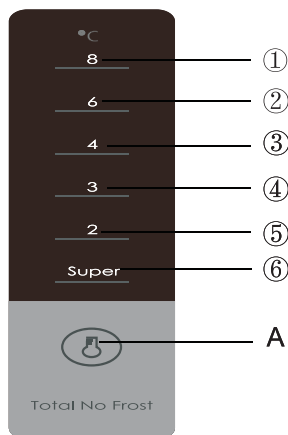
Mraziaci priestor

- Nízokoteplotný mraziaci priestor môže udržať potraviny čerstvé po dlhé obdobie a používa sa hlavne na skladovanie mrazených potravín a výrobu ľadu.
- Mraziaci priestor je vhodný na skladovanie mäsa, rýb, ryžových gulôčok a iných potravín, ktoré nie sú určené na krátkodobú spotrebu.
- Kusy mäsa je lepšie rozdeliť na malé kúsky, aby sa dali rýchlo zmraziť a mali k nim ľahký prístup. Upozorňujeme, že potraviny sa musia skonzumovať počas doby spotreby.

Chladiaca zásuvka

- Je určená na krátkodobé skladovanie (1 - 3 dni) čerstvých rýb, čerstvého mäsa, čerstvých potravín atď.
- V blízkosti zadnej a spodnej časti zásuvky môžu byť potraviny zmrazené, nie je možné vložiť potraviny, ktoré by sa nemali zmrazovať.
- Odporúča sa klasifikácia potravín a uzatváracie balenie. Energeticky najúčinnejšie sú zásuvky, potravinové boxy, police atď. umiestnené podľa polohy na obrázku vyššie.

3.2 Funkcie



(Vyššie uvedený obrázok je len orientačný. Skutočná konfigurácia bude závisieť od fyzického produktu alebo vyhlásenia distribútora.)

1. Tlačidlo

A. Tlačidlo nastavenia teploty

2. Displej

- ① Nastavenie teploty 1
- ② Nastavenie teploty 2
- ③ Nastavenie teploty 3
- ④ Nastavenie teploty 4
- ⑤ Nastavenie teploty 5
- ⑥ Nastavenie teploty 6

3. Zobrazenie na displeji

Po zapnutí spotrebiči sa displej (vrátane indikátora tlačidla) rozsvieti naplno na 3 sekundy, potom je spotrebič v prevádzke podľa nastavenia teploty 3.

Zobrazenie normálnej prevádzky

Pri výskyte poruchy príslušný LED indikátor zobrazí kombinované zobrazenie kódu poruchy (na displeji);

Ak nedôjde k poruche, LED displej zobrazí existujúce nastavenie teploty.

4. Nastavenie stupňa teploty

Nastavenie teploty sa zmení vždy, keď stlačíte tlačidlo SET. Potom bude spotrebič po 15 sekundách v prevádzke s novou nastavenou hodnotou.

5. Nastavenie manuálneho ovládača vzduchovej klapky

Otočte posuvný ovládač vzduchovej klapky smerom nahor, skutočná teplota v mraziacom priestore klesne, Otočte posuvný ovládač vzduchovej klapky smerom nadol, skutočná teplota v mraziacom priestore sa zvýši.

Nastavenie 1 → Nastavenie 2 → Nastavenie 3 → Nastavenie 4 → Nastavenie 5 → Nastavenie 6 →
Nastavenie 1 →

Indikácia poruchy

Nasledujúce varovania zobrazené na displeji označujú príslušné poruchy spotrebiča.

Aj keď môže mať spotrebič stále funkciu chladenia s nasledujúcimi poruchami, používateľ by mal kontaktovať špecialistu na údržbu, aby sa zabezpečila optimálna prevádzka spotrebiča.

Chybový kód	Popis poruchy
Svieti LED ① a LED ②	Obvod snímača teploty chladiaceho priestoru
Svieti LED ① a LED ③	Snímač odmrazovania mraziaceho priestoru
Svieti LED ① a LED ④	Snímač okolitej teploty

Poznámka: Funkcia rýchleho mrazenia je navrhnutá tak, aby zachovala nutričnú hodnotu potravín v mraziacom priestore. Dokáže zmraziť potraviny v čo najkratšom čase. Ak je naraz mrazené veľké množstvo potravín, odporúča sa, aby používateľ zapol funkciu rýchleho mrazenia a vložil potraviny. V tomto čase sa rýchlosť mrazenia v mraziacom priestore zvýši, čo môže rýchlo zmraziť potraviny, účinne zaistiť výživné hodnoty potravín a uľahčí skladovanie.

ČASŤ 4: ÚDRŽBA A STAROSTLIVOSŤ O SPOTREBIČ

4.1 Celkové čistenie

- Prach za spotrebičom a na podlahe sa musí včas vyčistiť, aby sa zlepšil chladiaci účinok a úspora energie.
- Pravidelne kontrolujte tesnenie dvierok, aby ste sa uistili, či na ňom nie sú žiadne nečistoty. Očistite tesnenie dvierok mäkkou handričkou navlhčenou v mydlovej vode alebo zriedenom saponáte.
- Vnútorňý priestor spotrebiča by sa mal pravidelne čistiť, aby nevznikal zápach.
- Pred čistením vnútorného priestoru vypnite napájanie, vyberte všetky potraviny, nápoje, poličky, zásuvky atď.
- Na čistenie vnútorného priestoru spotrebiča použite mäkkú handričku alebo špongiu s dvoma polievkovými lyžicami jedlej sódy a litrom teplej vody. Potom priestor opláchnite vodou a utrite dočista. Po vyčistení otvorte dvierka a pred zapnutím nechajte všetko prirodzene vyschnúť.
- Miesta, ktoré sa v spotrebiči čistia komplikovane (ako sú úzke štrbiny, medzery alebo rohy), sa odporúča pravidelne utierať mäkkou utierkou, mäkkou kefkou atď., a v prípade potreby kombinovať s niektorými pomocnými nástrojmi (ako napr. tenké vatové tyčinky), aby sa v týchto oblastiach nehromadili žiadne nečistoty alebo baktérie.
- Nepoužívajte mydlo, saponát, čistiaci prášok, čistí v spreji atď., pretože môžu spôsobiť zápach vo vnútri spotrebiča alebo kontaminovať potraviny.
- Držiak na fľaše, poličky a zásuvky čistite mäkkou handričkou navlhčenou v mydlovej vode alebo zriedenom saponáte. Osušte mäkkou handričkou alebo nechajte prirodzene vyschnúť.
- Vonkajší povrch spotrebiča utrite mäkkou handričkou navlhčenou v mydlovej vode, saponáte atď. a potom utrite dosucha.
- Nepoužívajte tvrdé kefy, drôtenky, drôtené kefy, abrazívne prostriedky (ako sú zubné pasty), organické rozpúšťadlá (ako je alkohol, acetón, banánový olej atď.), vriacu vodu, kyslé alebo alkalické látky, ktoré môžu poškodiť povrch spotrebiča a jeho vnútorný priestor. Vriaca voda a organické rozpúšťadlá ako benzén môžu deformovať alebo poškodiť plastové časti.
- Počas čistenia neoplachujte čistené plochy priamo vodou ani inými tekutinami, aby ste predišli skratom alebo neovplyvnili elektrickú izoláciu spotrebiča.



Pri odmrazovaní a čistení odpojte spotrebič od elektrickej siete.

4.2 Odmrazovanie

- Spotrebič je vyrobený na princípe vzduchového chladenia a má teda funkciu automatického odmrazovania. Námrazu vzniknutú v dôsledku zmeny ročného obdobia alebo teploty je možné odstrániť aj ručne odpojením spotrebiča od napájania alebo utretím suchou utierkou.

4.3 Spotrebič mimo prevádzky

- Výpadok dodávky elektrickej energie: V prípade výpadku dodávky elektrickej energie, aj keď je to v lete, môžu potraviny v spotrebiči zostať niekoľko hodín; počas výpadku dodávky elektrickej energie je potrebné skrátiť časy otvárania dvierok a do spotrebiča sa už nesmú vkladať žiadne čerstvé potraviny.
- Dlhodobé nepoužívanie: Spotrebič sa musí odpojiť a potom vyčistiť; potom je potrebné nechať dvierka otvorené, aby sa zabránilo zápachu.
- Premiestňovanie: Pred premiestnením spotrebiča vyberte všetky predmety, pripevnite sklenené poličky, zásuvku na zeleninu, zásuvky mraziaceho priestoru atď. páskou a utiahnite vyrovnávacie nožičky; zatvorte dvierka a pripevnite ich páskou. Počas premiestňovania nesmie byť spotrebič umiestnený hore nohami alebo vodorovne a nesmie byť vystavený vibráciám; sklon počas premiestňovania nesmie byť väčší ako 45°.

Po spustení musí byť spotrebič v nepretržitej prevádzke. Vo všeobecnosti sa prevádzka spotrebiča nesmie prerušiť, inak môže dôjsť k zníženiu životnosti.

ČASŤ 5: RIEŠENIE PROBLÉMOV

Môžete sa pokúsiť vyriešiť nasledujúce jednoduché problémy sami. Ak ich nemožno vyriešiť, kontaktujte servisné stredisko.

Spotrebič nefunguje.	<ul style="list-style-type: none">• Skontrolujte, či je spotrebič pripojený k napájaniu alebo či je zástrčka v dobrom kontakte s elektrickou zásuvkou.• Skontrolujte, či napätie nie je veľmi nízke.• Skontrolujte, či nedošlo k výpadku napájania alebo či nedošlo k vypnutiu elektrických obvodov.
Zápach.	<ul style="list-style-type: none">• Potraviny s výrazným zápachom musia byť tesne zabalené.• Skontrolujte, či nie sú niektoré potraviny pokazené.• Vyčistite vnútorný priestor spotrebiča.
Dlhodobá prevádzka kompresora.	<ul style="list-style-type: none">• Dlhodobá prevádzka spotrebiča je normálna v lete, keď je okolitá teplota vysoká.• Neodporúča sa mať v spotrebiči súčasne veľmi veľa potravín.• Potraviny musia pred vložením do spotrebiča vychladnúť. Dvierka spotrebiča sú otvárané veľmi často.
Osvetlenie sa nerozsvieti.	<ul style="list-style-type: none">• Skontrolujte, či je spotrebič pripojený k zdroju napájania a či nie je poškodené osvetlenie.• Žiarovku osvetlenia nechajte vymeniť u odborníka.
Dvierka sa nedajú správne zatvoriť.	<ul style="list-style-type: none">• Dvierka sú zaseknuté obalmi potravín. Je vložených veľmi veľa potravín.• Spotrebič je naklonený.
Hlasný zvuk.	<ul style="list-style-type: none">• Skontrolujte, či je podlaha rovná a či je spotrebič umiestnený stabilne.• Skontrolujte, či je príslušenstvo umiestnené na správnych miestach.
Tesnenie dvierok netesní.	<ul style="list-style-type: none">• Odstráňte cudzie predmety z tesnenia dvierok.• Zahrejte tesnenie dvierok a potom ho ochladte kvôli obnove (alebo ho vyfúkajte elektrickým sušičom alebo použite horúci uterák na ohrev).
Zásobník na vodu preteká.	<ul style="list-style-type: none">• V priestore je veľmi veľa potravín alebo uložené potraviny obsahujú veľmi veľa vody, čo vedie k silnému odmrazovaniu.• Dvierka nie sú správne zatvorené, čo má za následok námrazu v dôsledku vstupu vzduchu a zvýšenú hladinu vody v dôsledku odmrazovania.
Horúci vonkajší povrch spotrebiča.	<ul style="list-style-type: none">• Odvod tepla vstavaného kondenzátora cez kryt, čo je normálne.• Keď sa povrch prehreje v dôsledku vysokej okolitej teploty, skladovania veľkého množstva potravín alebo vypnutia kompresora, zaistite dostatočnú ventiláciu, aby sa uľahčil odvod tepla.
Kondenzácia vlhkosti na povrchu.	<ul style="list-style-type: none">• Kondenzácia vlhkosti na vonkajšom povrchu a tesnení dvierok spotrebiča je normálna, keď je okolitá vlhkosť veľmi vysoká. Kondenzát stačí utrieť čistou utierkou.
Abnormálny hluk.	<ul style="list-style-type: none">• Bzučanie: Kompresor môže počas prevádzky vydávať bzučanie a bzučanie je hlasné najmä pri jeho spustení alebo zastavení. Toto je normálne.• Vŕzganie: Chladivo prúdiace vo vnútri spotrebiča môže spôsobovať vŕzganie, čo je normálne.

ČASŤ 6: INFORMAČNÝ LIST

Informačný list

PHILCO 

DELEGOVANÉ NARIADENIE KOMISIE (EÚ) 2019/2016, pokiaľ ide o energetické označovanie chladiacich spotrebičov

Názov alebo ochranná známka výrobcu: PHILCO

Adresa výrobcu: PHILCO, U Sanitasu 1621, 25101 Říčany, CZ

Identifikačná značka modelu: PCN310EW / PCN310EX

Typ chladiaceho zariadenia:

Spotrebič s nízkym hlukom:	Nie	Typ spotrebiča:	voľne stojaci
Zariadenie na skladovanie vína:	Nie	Ostatné chladiace spotrebiče	Áno

Základné špecifikácie:

Parameter	Hodnota	Parameter	Hodnota
Rozmery v mm	Výška	Celkový objem (dm ³ alebo l)	310
	Šírka		
	Hĺbka		
Index energetickej účinnosti (EEI)	100	Trieda energetickej účinnosti*	E
Akustický zvuk emisie hluku (dB(A) re 1 pW)	42	Trieda akustických emisií hluku	D
Ročná spotreba energie (kWh/rok)	235	Klimatická trieda:	mierny, subtropické pásmo,
Minimálna okolitá teplota (° C), pre ktorú je chladiace zariadenie vhodné	16	Maximálna okolitá teplota (° C), pre ktorú je chladiace zariadenie vhodné	38
Nastavenie spotrebiča na zimu	Nie		

Špecifikácia priestoru

Typ priestoru	Parametre a hodnoty chladiaceho priestoru			
	Objem spotrebiča (dm ³ alebo l)	Odporúčené nastavenie teploty pre optimalizované skladovanie potravín (° C)	Mraziaca kapacita (kg/24h)	Typ odmrazovania: (auto-odmrazovanie = A manuálne odmrazovanie = M)
Komora/špajza	Nie	-	-	-
Skladovanie vína	Nie	-	-	-
Pivničný priestor	Nie	-	-	-

Čerstvé potraviny	Áno	224,0	4	-	A
Mraziaci priestor	Nie	-	-	-	-
0-hviezdičiek alebo výrobník ľadu	Nie	-	-	-	-
1-hviezdička	Nie	-	-	-	-
2-hviezdičky	Nie	-	-	-	-
3-hviezdičky	Nie	-	-	-	-
4-hviezdičky	Áno	86,0	-18	3,9	A
2-hviezdičkový priestor	Nie	-	-	-	-
Zásuvka s meniacou sa teplotou	Nie	-	-	-	-
4-hviezdičkový priestor					
Funkcia rýchleho zmrazenia			Áno		
Parametre svetelného zdroja:					
Typ svetelného zdroja			LED		
Trieda energetickej účinnosti			F		
Minimálna doba trvania záruky ponúkanej výrobcom: 24 mesiacov					
Dodatočné informácie:					
Webový odkaz na web výrobcu, kde sú informácie uvedené v bode 4 (a) prílohy nariadenia Komisie (EÚ) 2019/2022 nájdené: www.philco.cz					

TECHNICKÉ INFORMÁCIE

Technické informácie sa nachádzajú na typovom štítku na vnútornej strane spotrebiča a na energetickom štítku. QR kód, na dodanom energetickom štítku, obsahuje odkaz na registráciu spotrebiča v databáze EÚ Eprel.

INFORMÁCIE O TESTOVANÍ

Dodané zariadenie je v súlade s Ecodesignem a EN 62552:2020, Regulation (EU) 2019/2016, Regulation (EU) 2019/2019 and Framework Regulation (EU) 2017/1369). Požiadavky na prístup vzduchu pre správnu prevádzku prístroja, minimálna vzdialenosť od steny a rozmery prístroja, sú súčasťou tohto návodu. V prípade ďalších otázok sa obráťte na výrobcu.

STAROSTLIVOSŤ O ZÁKAZNÍKA A SERVIS

Vždy používajte iba originálne náhradné diely.

Označenie modelu a sériové číslo nájdete na typovom štítku. Polohu typového štítku je možné zmeniť bez predchádzajúceho upozornenia.

Originálne náhradné diely pre niektoré konkrétne komponenty sú k dispozícii minimálne 7 alebo 10 rokov. Závisí to od typu komponentu a od uvedenia posledného spotrebiča daného modelu na trh.

Pri kontaktovaní nášho autorizovaného servisu majte k dispozícii modelové označenie, sériové číslo a popis chyby.

Pre stiahnutie dokumentov navštívte www.philco.sk.

Pre nahlásenie závady a získanie ďalších servisných informácií navštívte www.philco.sk/servisne-miesta.

Zmeny vyhradené bez predchádzajúceho upozornenia.

POKYNY A INFORMÁCIE TÝKAJÚCE SA LIKVIDÁCIE POUŽITÝCH OBALOVÝCH MATERIÁLOV

Obalové materiály zlikvidujte na verejnom mieste pre likvidáciu odpadu.

LIKVIDÁCIA POUŽITÝCH ELEKTRICKÝCH A ELEKTRONICKÝCH SPOTREBIČOV



Význam symbolu na výrobku, jeho príslušenstve alebo obale znamená, že s týmto výrobkom nesmie byť zaobchádzané ako s komunálnym odpadom. Tento výrobok zlikviduje na príslušnom zbernom mieste pre recykláciu odpadu z elektrických a elektronických zariadení. Popríklad je možné v niektorých štátoch Európskej únie alebo iných európskych štátoch vrátiť svoje výrobky miestnemu predajcovi, v prípade kúpy podobného nového výrobku. Správna likvidácia tohto výrobku pomôže ušetriť cenné prírodné zdroje a pomôcť pri prevencii prípadného negatívneho vplyvu na životné prostredie a ľudské zdravie, ku ktorému by mohlo dôjsť v dôsledku nesprávnej likvidácie odpadu. Podrobnejšie informácie získate od miestneho úradu alebo v najbližšom stredisku pre zber odpadu. Nesprávna likvidácia tohto typu odpadu môže podliehať vnútroštátnym predpisom o pokutách.

Pre podnikateľské subjekty v Európskej únii

Ak chcete zlikvidovať elektrické alebo elektronické zariadenie, vyžiadajte si potrebné informácie od svojho predajcu alebo dodávateľa.

Likvidácia v iných štátoch mimo Európskej únie

Ak chcete zlikvidovať tento výrobok, vyžiadajte si nevyhnutné informácie o správnom spôsobe likvidácie od miestnych úradov alebo svojho predajcu.



Tento výrobok spĺňa všetky základné požiadavky nariadenia EÚ, ktoré sa naň vzťahujú.

Zmeny v texte, dizajne a technických údajoch sa môžu vyskytnúť bez predchádzajúceho upozornenia a vyhradzujeme si právo vykonať tieto zmeny.

Slovenská verzia návodu je prekladom z originálneho návodu na obsluhu, ktorý je v českom jazyku.

CHŁODZIARKO- ZAMRAŻARKA

INSTRUKCJA OBSŁUGI

PHILCO



Famous for Quality the World Over

PCN 310 EW
PCN 310 EX

Szanowny kliencie,
Dziękujemy za dokonanie zakupu produktu marki PHILCO. Aby urządzenie to służyło Ci jak najlepiej,
prosimy o przeczytanie wszystkich zaleceń zawartych w niniejszej instrukcji obsługi.

SPIS TREŚCI

CZĘŚĆ 1: INSTRUKCJE BEZPIECZEŃSTWA.....	3
1.1 Znaczenie symboli ostrzegawczych.....	12
1.2 Ostrzeżenia związane z energią elektryczną.....	12
1.3 Ostrzeżenia dotyczące użytkowania.....	13
1.4 Ostrzeżenia dotyczące lokalizacji.....	14
CZĘŚĆ 2: PRAWIDŁOWE UŻYTKOWANIE URZĄDZENIA	15
2.1 Lokalizacja.....	15
2.2 Poziomowanie urządzenia.....	16
2.3 Zmiana kierunku otwierania drzwiczek urządzenia.....	17
2.4 Wymiana żarówki	21
2.5 Rozpoczęcie pracy	21
2.6 Wskazówki dotyczące oszczędzania energii	21
CZĘŚĆ 3: BUDOWA I FUNKCJE URZĄDZENIA	22
3.1 Główne elementy urządzenia.....	22
3.2 Charakterystyka urządzenia.....	23
CZĘŚĆ 4: KONSERWACJA I PIELĘGNACJA URZĄDZENIA	26
4.1 Generalne czyszczenie	26
4.2 Odszranianie	27
4.2 Urządzenie nie działa.....	27
CZĘŚĆ 5: ROZWIĄZYWANIE PROBLEMÓW.....	28
CZĘŚĆ 6: ARKUSZ INFORMACYJNY	29

CE Urządzenie zostało przetestowane zgodnie z obowiązującymi dyrektywami Unii Europejskiej.
Urządzenie jest zgodne z przepisami bezpieczeństwa dotyczącymi urządzeń elektrycznych w Unii Europejskiej.

Szanowny kliencie:

Dziękujemy Ci za zakup naszej lodówki. Aby osiągnąć jak najlepsze efekty podczas używania tego urządzenia, przeczytaj tę instrukcję obsługi.

Upewnij się, że materiały opakowania zostały zlikwidowane zgodnie z aktualnymi wymaganiami związanymi z ochroną środowiska.

Podczas likwidacji każdego urządzenia chłodzącego skontaktuj się z lokalnym urzędem do spraw likwidacji odpadów, gdzie uzyskasz informacje dotyczące bezpiecznej likwidacji.

Urządzenia można używać jedynie zgodnie z celem przeznaczenia.

CZĘŚĆ 1: INSTRUKCJE BEZPIECZEŃSTWA



W CELU BEZPIECZEŃSTWA I PRAWIDŁOWEGO STOSOWANIA PRZED INSTALACJĄ I PIERWSZYM UŻYCIEM URZĄDZENIA PROSIMY UWAŻNIE PRZECZYTAĆ NINIEJSZĄ INSTRUKCJĘ, W TYM WSKAZÓWKI I OSTRZEŻENIA. ABY ZAPOBIEGAĆ NIEPOŻĄDANYM BŁĘDOM I WYPADKOM, WAŻNE JEST ZAPEWNIENIE, ŻE WSZYSTKIE OSOBY KORZYSTAJĄCE Z URZĄDZENIA ZOSTAŁY POINFORMOWANE O FUNKCJONOWANIU I BEZPIECZEŃSTWIE.

ZACHOWAJ INSTRUKCJĘ W PRZYPADKU SPRZEDAŻY URZĄDZENIA I UPEWNIJ SIĘ, ŻE NINIEJSZA INSTRUKCJA POZOSTAJE W URZĄDZENIU, ABY MOŻNA BYŁO Z NIEGO KORZYSTAĆ PRZEZ CAŁY OKRES UŻYTKOWANIA. ZE WZGLĘDÓW BEZPIECZEŃSTWA I W CELU OCHRONY MIENIA NALEŻY POSTĘPOWAĆ ZGODNIE Z INSTRUKCJAMI W TEJ INSTRUKCJI OBSŁUGI, PONIEWAŻ PRODUCENT NIE PONOSI ODPOWIEDZIALNOŚCI ZA SZKODY PRZYCZYNIONE NIEPRZESTRZEGANIEM TEJ INSTRUKCJI.

- TO URZĄDZENIE MOGĄ UŻYWAĆ DZIECI DO 8 LAT I OSOBY ZE ZMNIEJSZONYMI FIZYCZNYMI, SENSORYCZNYMI I UMYSŁOWYMI UMIEJĘTNOŚCIAMI, ALBO BEZ DOSTATECZNYCH UMIEJĘTNOŚCI, KIEDY SĄ ONE POD DOZOREM ALBO BYŁY NAUCZONE JAK POPRAWNIE I BEZPIECZNIE UŻYWAĆ URZĄDZENIE I ZROZUMIELI MOŻLIWE RYZYKA.
- DZIECI W WIEKU OD 3 DO 8 LAT MOGĄ WKŁADAĆ I WYJMOWAĆ ŻYWNOSĆ Z URZĄDZEŃ CHŁODNICZYCH.
- DZIECI NIE MOGĄ SIĘ BAWIĆ Z URZĄDZENIEM.
- CZYSZCZENIE I KONSERWACJĘ NIE MOGĄ DZIECI WYKONYWAĆ BEZ NADZORU.

- JEŚLI PRZEWÓD ZASILAJĄCY JEST USZKODZONY, NALEŻY WYMIENIĆ GO PRZEZ PROFESJONALNE CENTRUM USŁUG, ABY ZAPOBIEGAĆ SYTUACJAM AWARYJNYM. URZĄDZENIE Z USZKODZONYM KABLEM ELEKTRYCZNYM JEST ZABRONIONE UŻYWAĆ.

- **OSTRZEŻENIE:** ABY PRZYSPIESZYĆ PROCES ROZMRAŻANIA NIE UŻYWAJ SPRZĘTU MECHANICZNEGO LUB INNYCH ŚRODKÓW NIŻ TE CO SĄ ZALECANE PRZEZ PRODUCENTA.

- **OSTRZEŻENIE:** NIE USZKADZAJ OBIEGU CHŁODZENIA.

- **OSTRZEŻENIE:** WEWNĄTRZ MIEJSCA PRZECHOWYWANIA NIE UŻYWAJ URZĄDZEŃ ELEKTRYCZNYCH, JEŻELI TYP NIE JEST ZALECANY PRZEZ PRODUCENTA.

- **OSTRZEŻENIE:** OTWORY WENTYLACYJNE W POKRYWIE URZĄDZENIA LUB W OBUDOWIE URZĄDZENIA MUSZĄ BYĆ DOSTĘPNE.

- **OSTRZEŻENIE:** WEWNĄTRZ MIEJSCA PRZECHOWYWANIA NIE UŻYWAJ URZĄDZEŃ ELEKTRYCZNYCH, JEŻELI TYP NIE JEST ZALECANY PRZEZ PRODUCENTA.

TO URZĄDZENIE JEST PRZEZNACZONE DO UŻYTKU W GOSPODARSTWIE DOMOWYM I DO PODOBNYCH CELÓW, TAKICH JAK:

- KUCHNIE DLA PERSONELU W SKLEPACH, BIURA I INNE ŚRODOWISKA PRACY;
- NA GOSPODARSTWACH I DLA KLIENTÓW HOTELI, MOTELI I INNYCH TYPÓW MIESZKANIOWYCH;
- ŚRODOWISKA ZAKWATEROWANIA Z ŚNIADANIEM;
- CATERING I PODOBNE ZASTOSOWANIA DETALICZNE.



OSTRZEŻENIE:
NIEBEZPIECZEŃSTWO POŻARU / MATERIAŁY
ŁATWOPALNE!

ZAWIERA GAZ CHŁODNICZY ISOBUTAN

R600a

CHŁODZIWO

CHŁODZONY ISOBUTAN (R600a) ZAWARTY W OBIEGU CHŁODZENIA URZĄDZENIA JEST NATURALNYM GAZEM Z WYSOKĄ KOMPATYBILNOŚCIĄ ZE ŚRODOWISKIEM, KTÓRY JEST ŁATWOPALNY. PODCZAS TRANSPORTU I INSTALACJI NALEŻY UWAŻAĆ NA USZKODZENIE KOMPONENTÓW OBWODU CHŁODZENIA. CHŁODZIWO (R600a) JEST ŁATWOPALNE.

● **OSTRZEŻENIE** — LODÓWKI W IZOLACJI ZAWIERAJĄ GAZY CHŁODNICZE I CHŁODZĄCE. CHŁODNICE I GAZY CHŁODZĄCE MUSZĄ BYĆ USUWANE PROFESJONALNIE, MOGĄ SPOWODOWAĆ OBRAŻENIE OCZU. PRZED WYKONANIEM POPRAWNEGO USUNIĘCIA UPEWNIJ SIĘ, ŻE RURKA OBIEGU CHŁODZENIA NIE JEST USZKODZONA.



SYMBOL  OSTRZEŻENIE I ZNACZY TO, ŻE CHŁODZENIE I GAZY CHŁODNICZE SĄ ŁATWOPALNE.

OSTRZEŻENIE: RYZYKO POŻARU MATERIAŁÓW ŁATWOPALNYCH

JEŚLI OBWÓD CHŁODZENIA SIĘ USZKODZI:

- UNIKNIJ OTWARTEGO POŻARU I ZAPŁONU.
- DOKŁADNIE WENTYLUJ POKÓJ, W KTÓRYM SIĘ URZĄDZENIE ZNAJDUJE.

JEST NIEBEZPIECZNA ZMIANA LUB MODYFIKACJA URZĄDZENIA W DOWOLNY SPOSÓB. JAKIEKOLWIEK USZKODZENIE PRZEWODU ZASILAJĄCEGO MOŻE SPOWODOWAĆ KRÓTKI OBWÓD, POŻAR I / LUB PORĄŻENIE PRĄDEM ELEKTRYCZNYM.

● **UWAGA:** UKŁAD CHŁODZENIA ZAWIERA CHŁODNICTWO POD WYSOKIM CIŚNIENIEM. NIE OBSŁUGUJ SYSTEMU. NALEŻY GO NAPRAWIĆ TYLKO I WYŁĄCZNIE PRZEZ WYKWALIFIKOWANĄ OSOBĘ.

● **UWAGA:** PRZY USTAWIENIU URZĄDZENIA, UPEWNIJ SIĘ, ŻE KABEL ELEKTRYCZNY NIE JEST ZATKNIĘTY LUB USZKODZONY.

● **UWAGA:** NIE DAWAJ WIELU PRZENOŚNYCH GNIAZD ELEKTRYCZNYCH ANI PRZENOŚNYCH ŹRÓDEŁ ZASILANIA NA TYLNAŁ STRONĘ URZĄDZENIA.



ELEKTRYCZNE BEZPIECZEŃSTWO

1. KABEL ZASILAJĄCY NIE MOŻE BYĆ PRZEDŁUŻANY.
2. UPEWNIJ SIĘ, ŻE PRZEWÓD MOCY NIE JEST USZKODZONY. ZGNIĘCIONA LUB USZKODZONA WTYCZKA MOŻE SIĘ PRZEGRZEWAĆ I SPOWODOWAĆ POŻAR.
3. UPEWNIJ SIĘ, ŻE MASZ WOLNY DOSTĘP DO GNIAZDKA URZĄDZENIA.
4. NIE CIĄGNIJ ZA KABEL ZASILAJĄCY.

5. NIE NALEŻY PODŁĄCZAĆ WTYCZKI KIEDY JEST POLUZOWANE GNIAZDKO ELEKTRYCZNE. GROZI RYZYKO PORAŻENIA PRĄDEM LUB POŻARU.
6. NIE UŻYWAJ TEGO URZĄDZENIA BEZ POKRYCIA OŚWIETLENIA WEWNĘTRZNEGO.
7. LODÓWKA JEST PRZEZNACZONA TYLKO DO ZASILANIA Z JEDNEJ FAZY ZASILANIA O WARTOŚCIACH 220~240 V/50 HZ. JEŚLI WAHANIA NAPIĘCIA W MIEJSCU ZAMIESZKANIA UŻYTKOWNIKA SĄ TAKIE WIELKIE, ŻE PRZEKRACZAJĄ POWYŻSZE GRANICE ZE WZGLĘDU NA BEZPIECZEŃSTWO UŻYJ AUTOMATYCZNEGO REGULATORA NAPIĘCIA O WIĘCEJ NIŻ 350 W DLA LODÓWKI.

LODÓWKA MUSI BYĆ WYPOSAŻONA W SPECJALNĄ WTYCZKĘ ZASILAJĄCĄ W MIEJSCU WSPÓLNYM Z INNYMI ELEKTRYCZNYMI URZĄDZENIAMI. WTYCZKA MUSI BYĆ PRAWIDŁOWA Z GNIAZDKIEM ELEKTRYCZNYM.

STOSOWANIE NORMALNE

- NIE NALEŻY PRZECHOWYWAĆ ŁATWOPALNYCH GAZÓW LUB CIECZY W URZĄDZENIU. GROZI RYZYKO WYBUCHU.
- NIE UŻYWAJ INNYCH URZĄDZEŃ ELEKTRYCZNYCH W URZĄDZENIU (NP. ELEKTRYCZNY PRODUCENT LODÓW, MIKSERY ITP.)
- PODCZAS ODŁĄCZANIA URZĄDZENIA Z GNIAZDKA ELEKTRYCZNEGO, ZAWSZE NALEŻY CIĄGNAĆ ZA WTYCZKĘ. NIE CIĄGNIJ ZA KABEL.
- NIE STAWIAJ GORĄCYCH ELEMENTÓW W POBLIŻU CZĘŚCI Z TWORZYWA SZTUCZNEGO URZĄDZENIA.
- NIE UMIESZCZAJ ŻADNYCH ARTYKUŁÓW W POBLIŻU TYLNYCH OTWORÓW NA ŚCIANIE.
- PAKOWANE MROŻONE ŻYWNOŚCI PRZECHOWYWUJ ZGODNIE Z INSTRUKCJAMI PRODUCENTA.

- MIAŁ BYŚ ŚCISŁO DOTRZYMAĆ ZALECENIA PRZECHOWYWANIA W URZĄDZENIU PRZEZ PRODUCENTA. ZOBACZ OBOWIĄZUJĄCE INSTRUKCJE DOTYCZĄCE PRZECHOWYWANIA.
- NIE WOLNO WSTAWIAĆ GAZOWANYCH NAPOJÓW W ZAMRAŻARCE DLATEGO BO MOGĄ STWORZYĆ CIŚNIENIE W POJEMNIKU KTÓRY MOŻE WYBUCHNĄĆ, CO MOŻE USZKODZIĆ URZĄDZENIE.
- NIE WYSTAWIAJ URZĄDZENIA NA BEZPOŚREDNIE DZIAŁANIE PROMIENI SŁONECZNYCH.
- MIEJ PRZY SOBIE PŁONĄCE ŚWIECZKI, LAMPY I INNE PRZEDMIOTY Z OTWARTYM OGNIEM W WYSTARCZAJĄCEJ ODLEGŁOŚCI OD URZĄDZENIA, ABY UNIKNĄĆ RYZYKA POŻARU.
- URZĄDZENIE JEST PRZEZNACZONE DO PRZECHOWYWANIA ŻYWNOŚCI I NAPOJÓW W NORMALNYM GOSPODARSTWIE DOMOWYM, JAK OPISANO W INSTRUKCJI OBSŁUGI. URZĄDZENIE JEST CIĘŻKIE. ZACHOWAJ OSTROŻNOŚĆ PODCZAS PRZENOSZENIA.
- NIE WYJMUJ ANI NIE DOTYKAJ PRZEDMIOTÓW W KOMORZE ZAMRAŻARKI MOKRYMI / WILGOTNYMI RĘKAMI, PONIEWAŻ MOŻE TO SPOWODOWAĆ OBRAŻENIA SKÓRY LUB POPARZENIA MROZEM.
- NIGDY NIE UŻYWAJ DNA, SZUFLAD, DRZWI ITP. DO WSPINACZKI LUB JAKO WSPARCIE.
- MROŻONEJ ŻYWNOŚCI NIE WOLNO PONOWNIE ZAMRAŻAĆ PO ROZMROŻENIU.
- ABY NIE DOPUŚCIĆ DO UPADKU PRZEDMIOTÓW, ZRANIENIA LUB USZKODZENIA URZĄDZENIA, NIE NALEŻY PRZECIĄGAĆ KOMÓR, NIE WKŁADAJ NADMIERNYCH ILOŚCI JEDZENIA DO DRZWI LUB SZUFLADY.




INSTALACJA

WAŻNE!

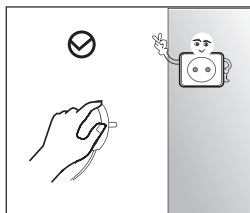
- ZACHOWAJ OSTROŻNOŚĆ PODCZAS PODŁĄCZANIA DO SIECI, POSTĘPUJ ZGODNIE Z INSTRUKCJAMI W TEJ INSTRUKCJI OBSŁUGI. ROZPAKUJ URZĄDZENIE I SPRAWDŹ, CZY NIE MA WIDOCZNYCH USZKODZEŃ.
- JEŚLI URZĄDZENIE JEST USZKODZONE, NIE PODŁĄCZAJ GO. NOTYFIKUJ MOŻLIWE SZKODY W MIEJSCU ZAKUPU. W TAKIM PRZYPADKU ZACHOWAJ OPAKOWANIE.
- ZALECA SIĘ ODCZEKAĆ KILKA GODZIN PRZED PODŁĄCZENIEM URZĄDZENIA, ABY OLEJ USTABILIZOWAŁ SIĘ W SPRĘŻARCE.
- ZAPEWNIJ ODPOWIEDNIAŁĄ WENTYLACJĘ WOKÓŁ URZĄDZENIA, W PRZECIWNYM RAZIE MOŻE WYSTĄPIĆ PRZEGRZANIE. PRZESTRZEGAJ ODPOWIEDNIEJ WENTYLACJI.
- JEŚLI TO MOŻLIWE, TYŁ URZĄDZENIA NIE POWINIEN BYĆ BARDZO BLISKO ŚCIANY I NIE NALEŻY DOTYKAĆ GORĄCYCH CZĘŚCI (SPRĘŻARKI, SKRAPLACZA), ABY UNIKNĄĆ RYZYKA POŻARU, POSTĘPUJ ZGODNIE Z ODPOWIEDNIMI INSTRUKCJAMI INSTALACJI.
- URZĄDZENIE NIE WOLNO UMIESZCZAĆ W POBLIŻU GRZEJNIKÓW LUB PIECÓW.
- PO INSTALACJI URZĄDZENIA UPEWNIJ SIĘ, ŻE WTYCZKA JEST ŁATWO DOSTĘPNA.
- WSZYSTKIE OPAKOWANIA NALEŻY PRZECHOWYWAĆ POZA ZASIĘGIEM DZIECI, PONIEWAŻ ISTNIEJE RYZYKO UDUSZENIA.

- WNĘTRZE LODÓWKI / ZAMRAŻARKI MOŻE ŚMIERDZIEĆ PRZED PIERWSZYM UŻYCIEM. TO NORMALNE ZJAWISKO. ZAPACH ZNIKA, GDY TYLKO URZĄDZENIE ZACZNIE CHŁODZIĆ / ZAMRAŻAĆ.
- PRZED PODŁĄCZENIEM LODÓWKI / ZAMRAŻARKI UPEWNIJ SIĘ, ŻE NAPIĘCIE SIECIOWE ODPOWIADA WYMAGANIOM DOTYCZĄCYM PODŁĄCZENIA LODÓWKI / ZAMRAŻARKI. W RAZIE WĄTPLIWOŚCI SKONSULTUJ SIĘ Z WYKWALIFIKOWANYM ELEKTRYKIEM.
- URZĄDZENIE NALEŻY PODŁĄCZYĆ DO GNIAZDKA O ODPOWIEDNIM NAPIĘCIU I PRAWIDŁOWO ZAINSTALOWANEJ PODSTAWCE Z BEZPIECZNIKIEM.
- LODÓWKI / ZAMRAŻARKI NIE WOLNO UMIESZCZAĆ NA ZEWNĄTRZ ANI WYSTAWIAĆ NA DZIAŁANIE DESZCZU.
- LODÓWKO-ZAMRAŻARKA MUSI BYĆ UMIESZCZONA CO NAJMNIEJ 50 CM OD GRZEJNIKÓW, RUR GRZEWCZYCH, RUR GAZOWYCH ITP.
- JEŚLI LODÓWKA Z ZAMRAŻARKĄ ZNAJDUJE SIĘ OBOK ZAMRAŻARKI, MUSI MIN. ROZSTAW 2 CM.
- NIE KŁADŹ CIĘŻKICH PRZEDMIOTÓW NA LODÓWCE / ZAMRAŻARCE, NIE PRZYKRYWAJ JEJ.
- NAD LODÓWKĄ / ZAMRAŻARKĄ MUSI ZNAJDOWAĆ SIĘ MIN. 100 - 150 MM WOLNEJ PRZESTRZENI.
- ZAINSTALOWAĆ DWIE PLASTIKOWE PROWADNICE NA SKRAPLACZU LODÓWKO-ZAMRAŻARKI, KTÓRE ZAPOBIEGAJĄ DOTYKANIU ŚCIANY I SKRAPLACZA.
- TO URZĄDZENIE JEST PRZEZNACZONE DO UŻYTKU DOMOWEGO I NADAJE SIĘ WYŁĄCZNIE DO CHŁODZENIA / ZAMRAŻANIA ŻYWNOŚCI. NIE NADAJE SIĘ DO UŻYTKU KOMERCYJNEGO ANI DO PRZECHOWYWANIA SUBSTANCJI INNYCH NIŻ ŻYWNOŚĆ. PRODUCENT NIE PONOSI ODPOWIEDZIALNOŚCI ZA JAKIEKOLWIEK STRATY SPOWODOWANE NIEWŁAŚCIWYM UŻYTKOWANIEM URZĄDZENIA.

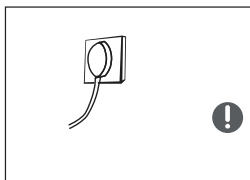
1.1 Znaczenie symboli ostrzegawczych

 Symbol zakazu	Jest to symbol zakazu. Nieprzestrzeganie instrukcji oznaczonych tym symbolem może spowodować uszkodzenie produktu lub zagrazić bezpieczeństwu użytkownika.
 Symbol ostrzegawczy	Jest to symbol ostrzegawczy. Instrukcje oznaczone tym symbolem muszą być dokładnie przestrzegane; w przeciwnym razie może dojść do uszkodzenia produktu lub obrażeń ciała.
 Symbol uwagi	Jest to symbol ostrzegawczy. Instrukcje oznaczone tym symbolem wymagają zachowania szczególnej ostrożności. Brak ostrożności może spowodować niewielkie lub umiarkowane obrażenia ciała lub uszkodzenie produktu.

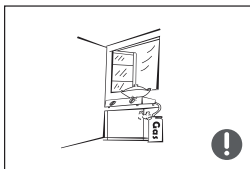
1.2 Ostrzeżenia związane z energią elektryczną



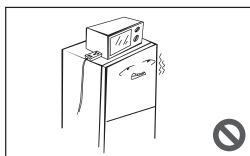
- Nie ciągnąć za przewód zasilający podczas odłączania urządzenia. Chwyć mocno wtyczkę i wyciągnij ją bezpośrednio z gniazda zasilania.
- Aby zapewnić bezpieczne użytkowanie, nie należy używać przewodu uszkodzonego lub nadmiernie zużytego.



- Należy korzystać z dedykowanego gniazdka elektrycznego, które nie może być współdzielone z innymi urządzeniami elektrycznymi.
- Wtyczka powinna ściśle przylegać do gniazdka elektrycznego, w przeciwnym razie może dojść do pożaru.
- Upewnij się, że elektroda uziemiająca gniazdka elektrycznego jest wyposażona w niezawodny przewód uziemiający.

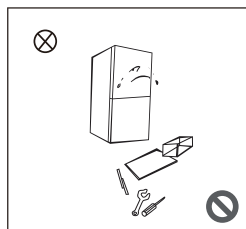


- W przypadku ulatniania się gazu nie odłączaj urządzenia oraz innych urządzeń elektrycznych, od zasilania, ponieważ może to spowodować iskrzenie i pożar.

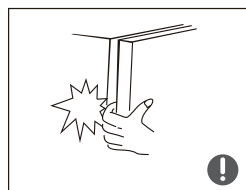


- Nie używaj urządzeń elektrycznych na górze urządzenia, chyba że są one typu zalecanego przez producenta.

1.3 Ostrzeżenia dotyczące użytkowania



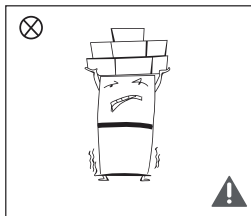
- Nie wolno samowolnie demontować lub przebudowywać urządzenia ani uszkadzać obwodu chłodzenia; konserwacja urządzenia musi być wykonana przez profesjonalistę.
- Uszkodzony przewód zasilający musi zostać wymieniony przez producenta, jego dział konserwacji lub podobnych specjalistów w celu uniknąć niebezpieczeństwa porażenia prądem.



- Szczeliny między drzwiczkami urządzenia oraz między drzwiczkami a korpusem urządzenia są niewielkie, nie należy więc wkładać w nie dłoni w, aby uniknąć przycięnięcia palca. Należy zachować ostrożność podczas zamykania drzwiczek urządzenia, aby uniknąć upadku przedmiotów.
- Podczas pracy urządzenia nie należy wyjmować z zamrażarki żywności ani pojemników, zwłaszcza metalowych mokrymi rękoma, aby zapobiec odmrożeniem.



- Nie należy pozwalać dzieciom na wchodzenie do urządzenia lub wspinanie się na nie; w przeciwnym razie mogą one ulec uduszeniu lub zranieniu w wyniku upadku.

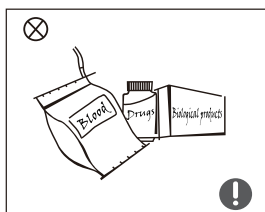


- Nie umieszczaj ciężkich przedmiotów na urządzeniu, ponieważ w momencie zamknięcia lub otwarcia drzwiczek mogą one spaść, co może spowodować przypadkowe obrażenia.

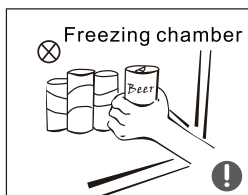
1.4 Ostrzeżenia dotyczące lokalizacji



- Nie należy wkładać do urządzenia przedmiotów łatwopalnych, wybuchowych, lotnych i silnie żrących, aby zapobiec uszkodzeniu urządzenia lub pożarowi.
- Nie umieszczaj łatwopalnych przedmiotów w pobliżu urządzenia, aby uniknąć pożaru.



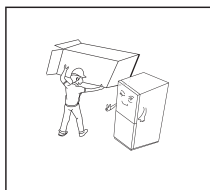
- Urządzenie jest przeznaczone do użytku domowego, takiego jak przechowywanie żywności; nie wolno go używać do innych celów, takich jak przechowywanie krwi, leków, produktów biologicznych itp.



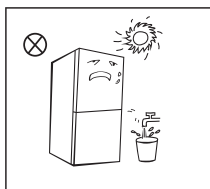
- Nie należy przechowywać piwa oraz innych napojów lub płynów w butelkach lub zamkniętych pojemnikach w komorze zamrażarki urządzenia; w przeciwnym razie butelki lub zamknięte pojemniki mogą pęknąć i spowodować uszkodzenia.

CZĘŚĆ 2: PRAWIDŁOWE UŻYTKOWANIE URZĄDZENIA

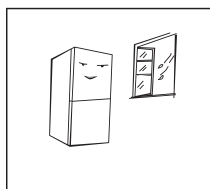
2.1 Lokalizacja



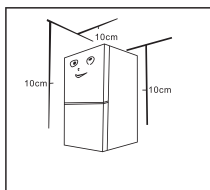
- Przed użyciem należy usunąć wszystkie materiały opakowaniowe, w tym uszczelki dolne, podkładki piankowe i taśmy wewnątrz urządzenia; oderwać folię ochronną z drzwiczek i korpusu urządzenia.



- Użytkować z dala od źródeł ciepła oraz unikać bezpośredniego światła słonecznego. Nie umieszczać urządzenia na wilgotnych lub mokrych powierzchniach, aby zapobiec rdzewieniu lub zmniejszeniu efektu izolacyjnego.
- Nie spryskiwać ani nie myć urządzenia; nie umieszczać urządzenia w wilgotnych miejscach, w których łatwo o zachłapanie wodą, aby nie wpływać na właściwości izolacji elektrycznej urządzenia.



- Urządzenie powinno być umieszczone w dobrze wentylowanym pomieszczeniu; Podłoga musi być równa i twarda (obrócić w lewo lub w prawo nóżki urządzenia, aby wypoziomować urządzenie, jeśli jest niestabilne).



- To urządzenie musi być instalowane oddzielnie i nie można go zabudowywać. W przeciwnym razie spowoduje to problemy, takie na przykład jak uszkodzenia szafki, w której zostało zamontowane oraz zmniejszenie wydajności i żywotności produktu. W związku z tym w przypadku uszkodzenia urządzenia producent nie udziela podstawowej gwarancji.
- Należy pozostawić nad urządzeniem przestrzeń większą niż 10 cm, oraz ustawić je w odległości większej niż 10 cm od ścian, aby ułatwić odprowadzanie ciepła.

Klasa klimatyczna i znaczenie:

Opis	Klasa	Temperatura otoczenia w °C
Rozszerzona umiarkowana	SN	+10 do +32
Umiarkowana	N	+16 do +32
Subtropikalna	ST	+16 do +38
Tropikalna	T	+16 do +43

Rozszerzona strefa: To urządzenie chłodzące jest przeznaczone do użytku w temperaturach otoczenia od 10 do 32 °C;

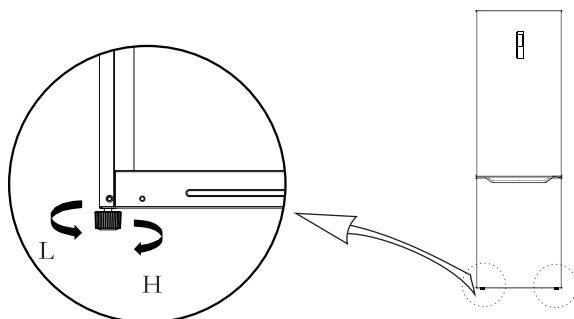
Strefa umiarkowana: To urządzenie chłodzące jest przeznaczone do użytku w temperaturach otoczenia od 16 °C do 32 °C.

Strefa subtropikalna: to urządzenie chłodzące jest przeznaczone do użytku w temperaturach otoczenia od 16 °C do 38 °C;

Strefa tropikalna: To urządzenie chłodzące jest przeznaczone do użytku w temperaturach otoczenia od 16 °C do 43 °C.

2.2 Poziomowanie urządzenia

Schematyczne przedstawienie nóg poziomujących



(Powyższy rysunek ma jedynie charakter poglądowy. Rzeczywista konfiguracja będzie zależeć od fizycznych właściwości produktu lub wskazówek dystrybutora).

Procedura poziomowania:

- Obróć nóżki zgodnie z ruchem wskazówek zegara, aby podnieść urządzenie;
- Obróć nóżki w kierunku przeciwnym do ruchu wskazówek zegara, aby opuścić urządzenie;
- Wyreguluj prawą i lewą stopę w poziomie zgodnie z powyższymi wskazówkami.

2.3 Zmiana kierunku otwierania drzwiczek urządzenia

W razie potrzeby istnieje możliwość zmiany strony, na którą otwierają się drzwi, z prawej (w momencie dostawy) na lewą.

Lista narzędzi dostarczanych przez użytkownika



Śrubokręt krzyżakowy



Szpachla i płaski śrubokręt

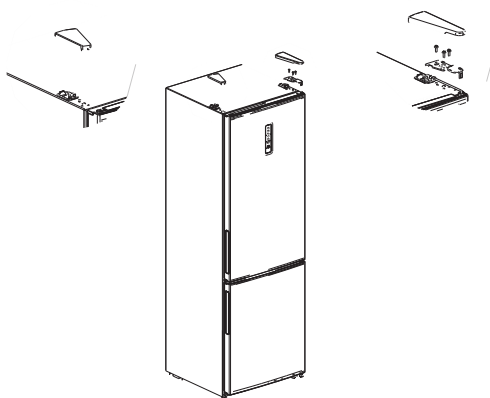


5/16"
klucz z grzechotką

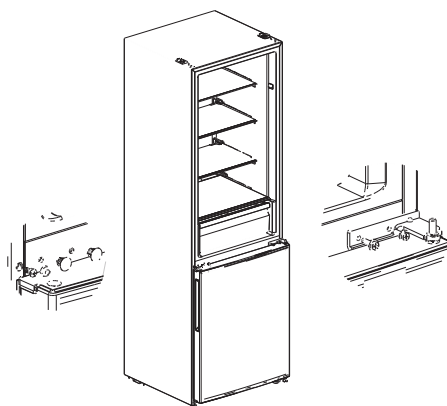


Taśma maskująca

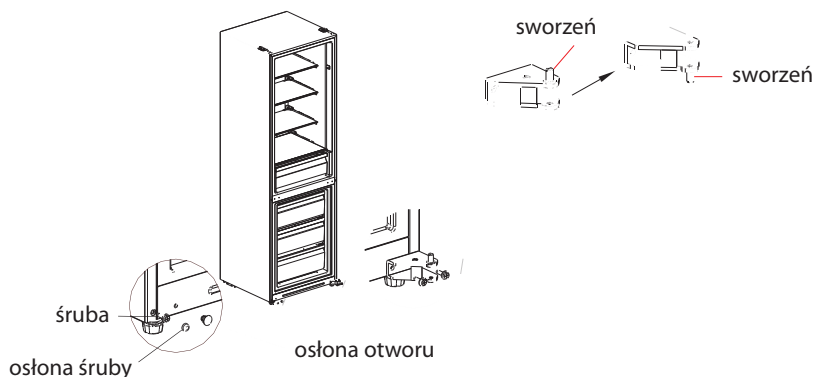
- 1) Przed wykonaniem tej operacji należy wyłączyć to urządzenie. Usunąć całą żywność z półek na drzwiach.
- 2) Zdemontować osłonę górnego zawiasu, odłączyć przewody sygnałowe, górny zawias i zaślepkę otworu z drugiej strony, zdemontować drzwiczki komory chłodniczej.



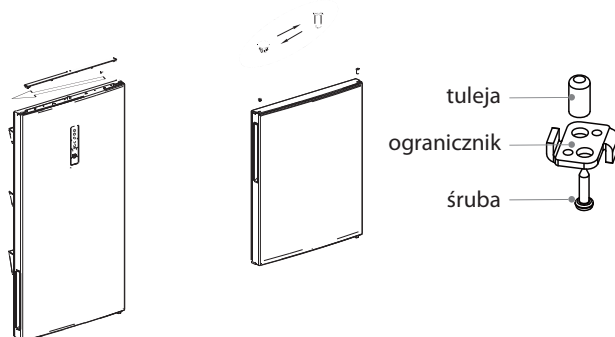
- 3) Wymontuj środkowy zawias, śruby, zaślepki otworów na śruby i zdejmij drzwi komory zamrażarki.



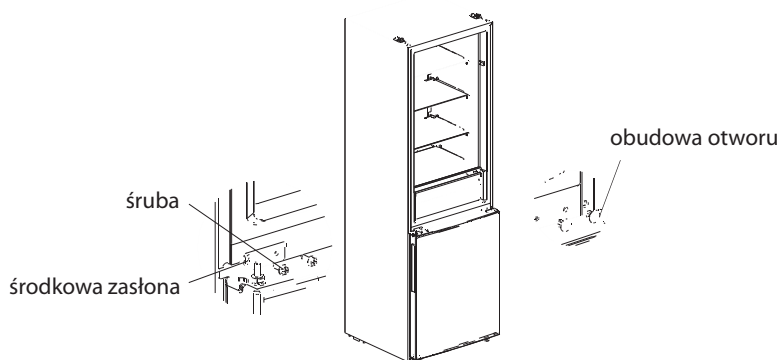
- 4) Zdemontuj dolny zawias, zaślepki otworów i śruby, zainstaluj dolny sworzeń zawiasu po drugiej stronie dolnego zawiasu, a następnie zainstaluj zawias po drugiej stronie.



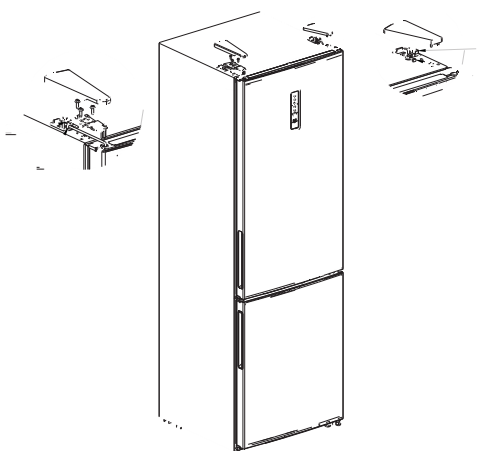
- 5) Wykręcić śruby, tuleję i ogranicznik z dolnej pokrywy końcowej obu drzwi i zamontować je kolejno po drugiej stronie korpusów drzwi (ogranicznik należy wymienić z torby z akcesoriami). Następnie zdejmij górną pokrywę końcową drzwi komory chłodziarki i przenieś wiązkę przewodów z tuleją na drugą stronę korpusu drzwi. Na koniec zamontuj górną tuleję zawiasu drzwi komory lodówki w otworze po drugiej stronie górnej pokrywy końcowej drzwi komory lodówki.



- 6) Umieść drzwi zamrażarki na dolnym zawiasie, zamontuj środkowy zawias, śruby i zaślepki otworów na śruby.

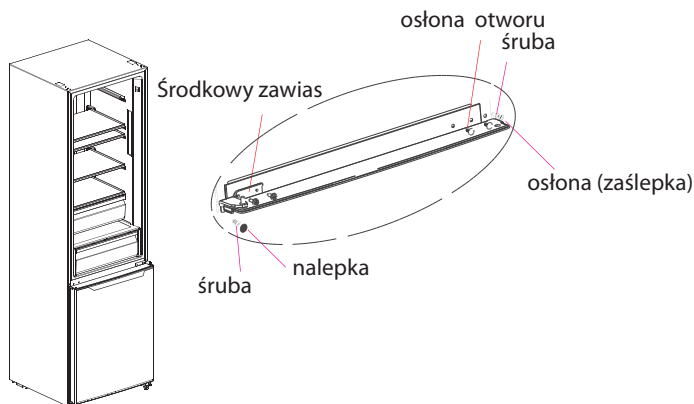


- 7) Umieść korpus drzwi lodówki na środkowym zawiasie, następnie zamontuj górny zawias po drugiej stronie szafki urządzenia, na koniec połącz zaciski 2 przewodów sygnałowych po stronie górnego zawiasu z zaciskami 3,4 po drugiej stronie i zakryj osłonę zawiasów oraz osłonę otworu.



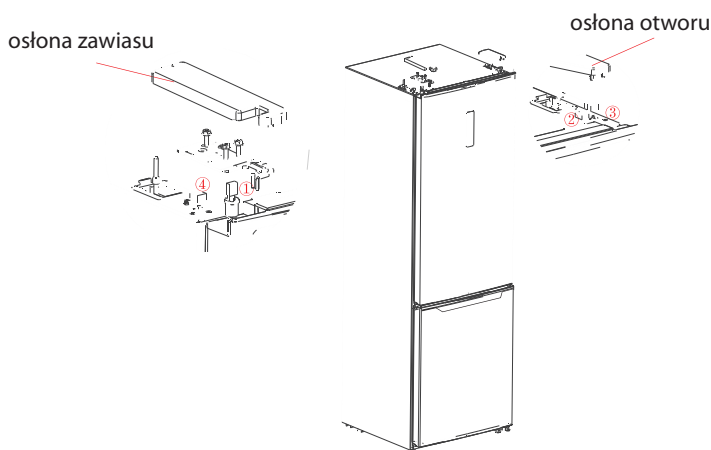
Powyższy obraz ma charakter wyłącznie poglądowy.
Rzeczywista konfiguracja będzie zależała od fizycznego produktu lub deklaracji dystrybutora.

- 6) Załóż drzwi komory zamrażarki na dolny zawias, załóż zaślepki zawiasu środkowego, zaślepki śrub oraz nalepkę.



- 7) Wymij lewy górny zawias i osłonę lewego górnego zawiasu z pakietu części zamiennych. Nasadź drzwi komory chłodziarki na środkowy zawias oraz zamontuj górny zawias. Podłącz zworkę ④ przewodu sygnalizacji otwarcia drzwi, podłącz zworkę ①, podłącz zworkę ② podłącz zworkę ③; załóż osłonę górnego zawiasu i zaślepkę otworu.

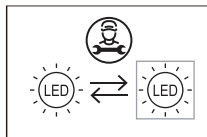
Informacje na temat montażu uchwytu znajdują się w rozdziale 2.2.



Powyższy rysunek ma jedynie charakter poglądowy.

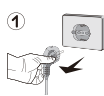

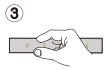
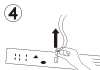
Rzeczywista konfiguracja urządzenia będzie zależać od właściwości fizycznych produktu lub oświadczenia dystrybutora.

2.4 Wymiana żarówki

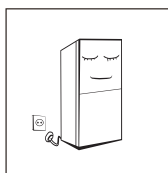


- Wszelkie czynności związane z wymianą lub konserwacją żarówek LED powinny być wykonywane przez producenta, jego przedstawiciela serwisowego lub osoby o podobnych kwalifikacjach.

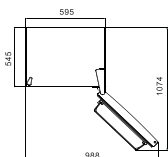
Źródło światła w tym produkcie może być wymieniane wyłącznie przez wykwalifikowanych techników.

	1. Przed demontażem należy wyciągnąć wtyczkę.		2. Zdejmij klosz za pomocą śrubokręta.
	3. Zdemontuj panel lampy.		4. Wyjmij połączeniową zworkę.

2.5 Rozpoczęcie pracy



- Przed włożeniem świeżej lub mrożonej żywności urządzenie musi pracować przez 2-3 godziny lub ponad 4 godziny w lecie, gdy temperatura otoczenia jest wysoka.
- W przypadku awarii zasilania lub konserwacji urządzenia należy wyciągnąć wtyczkę z sieci. Nie należy włączać ponownie urządzenia przed upływem 5 minut od jego wyłączenia, aby uniknąć uszkodzenia sprężarki w wyniku kolejnych rozruchów.



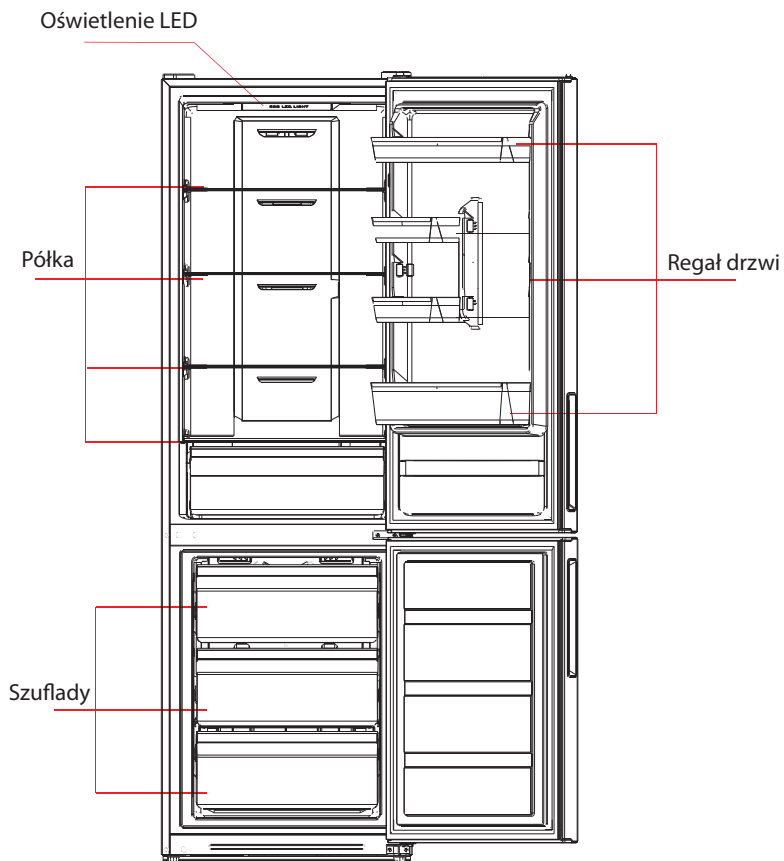
- Wystarczająco dużo miejsca do wygodnego otwierania drzwi i szuflad.

2.6 Wskazówki dotyczące oszczędzania energii

- Urządzenie powinno być umieszczone w najchłodniejszej części pomieszczenia, z dala od sprzętu wytwarzającego ciepło lub rur grzewczych oraz z dala od bezpośredniego światła słonecznego.
- Przed włożeniem żywności do urządzenia należy odczekać, aż ono ostygnie do temperatury pokojowej. Przeciążenie urządzenia zmusza kompresor do dłuższej pracy. Żywność, która zamarza bardzo powoli, może stracić na jakości lub zepsuć się.
- Przed włożeniem żywności do urządzenia należy ją odpowiednio owinąć i wytrzeć do sucha. Ograniczy to powstawanie szronu wewnątrz urządzenia.
- Miejsca do przechowywania żywności nie powinny być wykładane folią aluminiową, papierem woskowanym i innymi ani tkaninami. Zakłóca to cyrkulację zimnego powietrza, co zmniejsza wydajność urządzenia.
- Uporządkuj i oznacz żywność, aby zmniejszyć częstotliwość otwierania drzwiczek urządzeń i czas ich otwarcia. Wybierz tyle żywności, ile potrzebujesz na raz i zamknij drzwi tak szybko, jak to możliwe.

CZĘŚĆ 3: BUDOWA I FUNKCJE URZĄDZENIA

3.1 Główne elementy urządzenia



(Powyższy rysunek ma jedynie charakter poglądowy. Rzeczywista konfiguracja urządzenia będzie zależec od właściwości fizycznych produktu lub oświadczenia dystrybutora!)

Komora chłodnicza

- Komora chłodnicza nadaje się do przechowywania różnych owoców, warzyw, napojów i innych produktów spożywczych przeznaczony do szybkiego spożycia, zalecany okres przechowywania wynosi od 3 do 5 dni.
- Ugotowanej żywności nie wolno umieszczać w komorze chłodziarki, dopóki nie ostygnie do temperatury pokojowej.
- Zaleca się szczelne zamknięcie żywności przed umieszczeniem jej w komorze chłodziarki.
- Położenie szklane półek można regulować w górę lub w dół, aby zapewnić odpowiednią przestrzeń do przechowywania i łatwość korzystania.

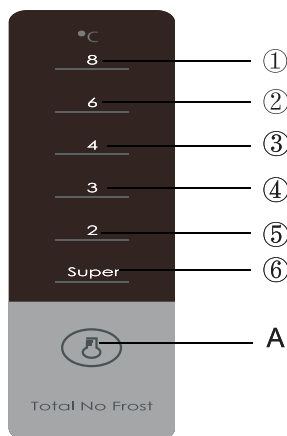
Komora zamrażarki

- Niskotemperaturowa komora zamrażarki może utrzymywać świeżość żywności przez długi czas i jest używana głównie do przechowywania mrozonek i wytwarzania lodu.
- Komora zamrażarki jest odpowiednia do przechowywania mięsa, ryb, kulek ryżowych i innych produktów spożywczych, które nie są przeznaczone do szybkiej konsumpcji.
- Dla własnej wygody lepiej jest poćwiartować mięso na małe kawałki tak, aby można je było szybko zamrozić i mieć do nich łatwy dostęp. Należy pamiętać, że żywność musi zostać spożyta w okresie przydatności do spożycia.

Szuflada chłodnicza

- Jest przeznaczony do krótkotrwałego przechowywania (1-3 dni) świeżych ryb, świeżego mięsa, świeżej żywności itp.
- W pobliżu tylnej i dolnej części szuflady żywność może ulec zamrożeniu, dlatego też i nie można wkładać tam żywności, która nie powinna być mrożona.
- Zaleca się klasyfikację żywności i uszczelnianie opakowań. Najbardziej energooszczędne szuflady, pojemniki na żywność, półki itp. są rozmieszczone zgodnie z opisem na powyższym rysunku.

3.2 Charakterystyka urządzenia



Powyższy opis ma jedynie charakter poglądowy. Rzeczywista konfiguracja urządzenia zależy od jego właściwości fizycznych lub oświadczenia dystrybutora

1. Przycisk

A. Przycisk ustawienia temperatury

2. Wyświetlacz

- ① Ustawienie temperatury 1
- ② Ustawienie temperatury 2
- ③ Ustawienie temperatury 3
- ④ Ustawienie temperatury 4
- ⑤ Ustawienie temperatury 5
- ⑥ Ustawienie temperatury 6

3. Wyświetlenie na wyświetlaczu

Po włączeniu urządzenia wyświetlacz (wraz z kontrolką przycisku) zapala się całkowicie na 3 sekundy, następnie urządzenie pracuje zgodnie z ustawioną temperaturą 3.

Pokazanie normalnego działania

Gdy wystąpi usterka, odpowiedni wskaźnik LED wyświetli łączny kod usterki (na wyświetlaczu);

Jeśli nie ma żadnego błędu, wyświetlacz LED pokaże aktualne ustawienie temperatury.

4. Ustawienie stopnia temperatury

Ustawienie temperatury zmienia się po każdym naciśnięciu przycisku SET. Następnie po 15 sekundach urządzenie będzie działać z nową ustawioną wartością.

5. Regulacja ręcznego sterowania przepustnicą powietrza

Obróć suwak klapy powietrza do góry, rzeczywista temperatura w komorze zamrażarki spadnie,

Obróć suwak przepustnicy powietrza w dół, rzeczywista temperatura w komorze zamrażarki wzrośnie.

Ustawienie 1 → Ustawienie 2 → Ustawienie 3 → Ustawienie 4 → Ustawienie 5 → Ustawienie 6 →
Ustawienie 1 →

Wskazanie awarii

Poniższe ostrzeżenia wyświetlane na wyświetlaczu wskazują na odpowiednie usterki urządzenia. Mimo że urządzenie może nadal działać w trybie chłodzenia z niższymi usterkami, użytkownik powinien skontaktować się ze specjalistą ds. konserwacji, aby zapewnić jego optymalne działanie.

Kod błędu	Opis awarii
Świeci LED ① i LED ②	Obwód czujnika temperatury komory chłodzącej
Świeci LED ① i LED ③	Czujnik odszraniania komory zamrażarki
Świeci LED ① i LED ④	Czujnik temperatury otoczenia

Uwaga: Funkcja szybkiego zamrażania ma na celu zachowanie wartości odżywczych żywności w komorze zamrażarki. Umożliwia ona zamrażanie żywności w najkrótszym możliwym czasie. Jeśli jednorazowo zamrażana jest duża ilość żywności, zaleca się włączenie funkcji szybkiego zamrażania i załadowanie żywności. W tym czasie prędkość zamrażania w komorze zamrażarki wzrośnie, co pozwoli na szybkie jej zamrożenie a tym samym na skuteczne zapewnienie jej wartości odżywczych i ułatwienie przechowywania.

Alarm otwartych drzwi

Po otwarciu drzwi urządzenia rozlegnie się sygnał dźwiękowy otwartych drzwi. Jeśli drzwi nie zostaną zamknięte w ciągu dwóch minut, sygnał dźwiękowy będzie emitowany do momentu ich zamknięcia. Naciśnij dowolny przycisk, aby wyłączyć sygnał dźwiękowy.

Wskazanie awarii

Poniższe ostrzeżenia wyświetlane na wyświetlaczu wskazują na odpowiednie usterki urządzenia. Mimo że urządzenie może nadal działać w trybie chłodzenia z niższymi usterekami, użytkownik powinien skontaktować się ze specjalistą ds. konserwacji, aby zapewnić jego optymalne działanie.

Kod błędu	Opis usterki
E1	Wadliwe działanie czujnika temperatury komory chłodniczej
E2	Usterka czujnika temperatury w komorze zamrażarki
E3	Awaria czujnika temperatury szuflady chłodniczej
E5	Błąd obwodu wykrywania czujnika odszraniania
E6	Błąd komunikacji
E7	Błąd czujnika temperatury otoczenia

Uwaga: Funkcja szybkiego zamrażania ma na celu zachowanie wartości odżywczych żywności w komorze zamrażarki. Umożliwia ona zamrażanie żywności w najkrótszym możliwym czasie. Jeśli jednorazowo zamrażana jest duża ilość żywności, zaleca się włączenie funkcji szybkiego zamrażania i załadowanie żywności. W tym czasie prędkość zamrażania w komorze zamrażarki wzrośnie, co pozwoli na szybkie jej zamrożenie a tym samym na skuteczne zapewnienie jej wartości odżywczych i ułatwienie przechowywania.

CZĘŚĆ 4: KONSERWACJA I PIELĘGNACJA URZĄDZENIA

4.1 Generalne czyszczenie

- Kurz za urządzeniem i na podłodze pod nim należy usuwać na czas, aby poprawić efekt chłodzenia i oszczędność energii
- Regularnie sprawdzaj uszczelkę drzwi, aby upewnić się, że nie ma na niej brudu. Czyść uszczelkę drzwi miękką szmatką zwilżoną wodą z mydłem lub rozcieńczonym detergentem.
- Wnętrze urządzenia powinno być regularnie czyszczone, aby zapobiec powstawaniu nieprzyjemnych zapachów.
- Przed przystąpieniem do czyszczenia wnętrza należy wyłączyć zasilanie, wyjąć wszystkie produkty spożywcze, napoje, półki, szuflady itp.
- Użyj miękkiej szmatki lub gąbki z dwiema łyżkami sody oczyszczonej i litrem ciepłej do czyszczenia wnętrza urządzenia. Po jego zakończeniu spłucz komorę wodą i wytrzyj do czysta. Po wyczyszczeniu otwórz drzwi i pozwól, aby wszystko wyschło w sposób naturalny zanim włączysz urządzenie.
- Miejsca trudne do wyczyszczenia (takie jak wąskie szczeliny lub narożniki) zaleca się regularnie przecierać miękką ściereczką, miękką szczotką itp., a w razie potrzeby można zastosować niektóre narzędzia pomocnicze (takie jak cienkie waciki), aby w trudnodostępnych miejscach nie gromadził się brud i bakterie.
- Nie należy używać mydła, detergentów, proszków do czyszczenia, środków czyszczących w sprayu itp., ponieważ może to spowodować uszkodzenie urządzenia lub zanieczyszczenie żywności.
- Uchwyt na butelki, półki i szuflady należy czyścić miękką ściereczką zwilżoną wodą z mydłem lub rozcieńczoną wodą z detergentem. Po zakończeniu czyszczenia należy je osuszyć miękką ściereczką lub pozostawić do naturalnego wyschnięcia.
- Przetrzeć zewnętrzną powierzchnię urządzenia miękką szmatką zwilżoną wodą z mydłem, detergentem itp., a następnie wytrzeć do sucha.
- Nie używaj twardych szczotek, drucianych, materiałów ściernych (takich jak pasta do zębów), rozpuszczalników organicznych (takich jak alkohol, aceton, olej bananowy itp.), wrzącej wody, substancji kwaśnych lub zasadowych, które mogą uszkodzić powierzchnię urządzenia i jego wnętrze. Wrząca woda i rozpuszczalniki organiczne, takie jak benzen, mogą zdeformować lub uszkodzić części plastikowe.
- Podczas czyszczenia nie należy sflukiwać czyszczonych powierzchni bezpośrednio wodą lub innymi płynami, aby uniknąć zwarc. lub zmniejszenia izolacji elektrycznej urządzenia.



Podczas rozmrażania i czyszczenia należy odłączyć urządzenie od zasilania.

4.2 Odszranianie

- Urządzenie działa na zasadzie chłodzenia powietrzem i dlatego posiada funkcję automatycznego odszraniania. Szron spowodowany zmianami pory roku lub temperatury można również usunąć ręcznie, odłączając urządzenie od zasilania lub przecierając suchą szmatką.

4.2 Urządzenie nie działa

- Awaria zasilania: w przypadku awarii zasilania, nawet latem, żywność może pozostać w urządzeniu przez kilka godzin; podczas awarii zasilania należy skrócić czas otwierania drzwi i nie wkładać do urządzenia świeżej żywności.
- Długotrwałe nieużywanie: urządzenie musi zostać odłączone od zasilania, a następnie wyczyszczone i otwarte, aby uniknąć nieprzyjemnych zapachów.
- Przenoszenie: Przed przeniesieniem urządzenia należy wyjąć z niego wszystkie przedmioty, zabezpieczyć szklane półki, szufladę na warzywa, szuflady zamrażarki itp. taśmą i dokręcić nóżki poziomujące; zamknąć drzwi i zabezpieczyć taśmą. Urządzenie nie może być ustawione do góry nogami lub poziomo i nie może być narażone na wibracje podczas zmiany położenia; nachylenie podczas zmiany miejsca instalacji nie może być większe niż 45°.

Po uruchomieniu urządzenie musi pracować w trybie ciągłym. Zasadniczo nie wolno przerywać pracy urządzenia, w przeciwnym razie może dojść do skrócenia jego żywotności.

CZĘŚĆ 5: ROZWIĄZYWANIE PROBLEMÓW

Poniższe proste problemy można spróbować rozwiązać samodzielnie. Jeśli jest to niemożliwe należy skontaktować się z centrum serwisowym.

Urządzenie nie działa.	<ul style="list-style-type: none">• Sprawdź, czy urządzenie jest podłączone do zasilania lub czy wtyczka jest włożona prawidłowo do gniazdka i ma z nim dobry kontakt.• Sprawdź, czy napięcie nie jest zbyt niskie.• Sprawdź, czy nie wystąpiła awaria zasilania lub wyłączenie obwody elektryczne.
Zapach.	<ul style="list-style-type: none">• Żywność o silnym zapachu musi być szczelnie zapakowana.• Sprawdź, czy żywność nie jest zepsuta.• Wyczyść wnętrze urządzenia.
Długotrwała praca sprężarki.	<ul style="list-style-type: none">• Długotrwała praca urządzenia jest normalna latem, gdy temperatura otoczenia jest wysoka.• Nie zaleca się jednoczesnego umieszczania w urządzeniu wielu produktów spożywczych.• Przed włożeniem do urządzenia żywności musi ona ostygnąć.• Drzwi urządzenia są otwierane bardzo często.
Oświetlenie nie włącza się.	<ul style="list-style-type: none">• Sprawdź, czy urządzenie jest podłączone do źródła zasilania i czy oświetlenie nie jest uszkodzone.• Wymianę żarówki należy zlecić profesjonalście.
Nie można prawidłowo zamknąć drzwi.	<ul style="list-style-type: none">• Drzwi są zakleszczone opakowaniami po jedzeniu. Do urządzenia wkłada się dużo jedzenia.• Urządzenie jest nieprawidłowo przechylone.
Głośny dźwięk.	<ul style="list-style-type: none">• Sprawdź, czy podłoga jest równa, a urządzenie ustawione stabilnie.• Sprawdź, czy akcesoria zostały umieszczone we właściwych miejscach.
Uszczelka drzwi przecieka.	<ul style="list-style-type: none">• Usuń ciała obce z uszczelki drzwi.• Podgrzej uszczelkę drzwi, a następnie schłodź ją w celu jej renowacji (wysusz suszarką elektryczną lub ogrzej gorącym ręcznikiem).
Zbiornik na wodę jest przepełniony.	<ul style="list-style-type: none">• W komorze znajduje się dużo żywności lub przechowywana żywność zawiera bardzo dużo wody, co prowadzi do silnego rozmrażania.• Drzwi nie są prawidłowo zamknięte co powoduje zasysanie powietrza z zewnątrz przyspieszające rozmrażanie zwiększające ilość wody.
Gorąca zewnętrzna powierzchnia urządzenia.	<ul style="list-style-type: none">• Odprowadzanie ciepła z wbudowanego skraplacza przez pokrywę jest normalne.• W przypadku przegrzania powierzchni z powodu wysokiej temperatury otoczenia, przechowywania bardzo dużych ilości żywności lub wyłączenia sprężarki, należy zapewnić wystarczającą wentylację, aby ułatwić odprowadzanie ciepła.
Kondensacja wilgoci na powierzchni.	<ul style="list-style-type: none">• Kondensacja wilgoci na zewnętrznej powierzchni i uszczelce drzwi urządzenia jest zjawiskiem normalnym, w przypadku, gdy wilgotność otoczenia jest bardzo wysoka. Wystarczy wytrzeć skropliny czystą szmatką.
Nienormalny hałas.	<ul style="list-style-type: none">• Brzęczenie: Sprężarka może emitować brzęczący dźwięk podczas pracy, a brzęczenie to jest głośne, podczas jej uruchamiania lub zatrzymywania. Jest to normalne zjawisko.• Piszczenie: czynnik chłodniczy przepływający wewnątrz urządzenia może powodować piszczenie, co jest rzeczą normalną.

CZĘŚĆ 6: ARKUSZ INFORMACYJNY

Arkusz informacyjny

PHILCO 

ROZPORZĄDZENIE DELEGOWANE KOMISJI (UE) 2019/2016 w odniesieniu do etykietowania energetycznego urządzeń chłodniczych

Nazwa lub znak producenta: PHILCO

Adres producenta: PHILCO, U Sanitatu 1621, 25101 Říčany, CZ

Znak identyfikacyjny modelu: PCN310EW / PCN310EX

Rodzaj sprzętu chłodniczego:

Urządzenie z niskim poziomem hałasu	Nie	Rodzaj urządzenia	wolnostojący
Urządzenie do przechowywania wina	Nie	Inne urządzenia chłodnicze	Tak

Podstawowe specyfikacje

Parametr	Wartość	Parametr	Wartość	
Rozmiary w mm	Wysokość	Całkowita objętość (dm ³ lub l)	310	
	Szerokość			595
	Głębokość			635
Wskaźnik efektywności energetycznej (EEI)	100	Klasa efektywności energetycznej*	E	
Akustyczny dźwięk emisji hałasu (dB(A) re 1 pW)	42	Klasa emisji hałasu akustycznego	D	
Roczne zużycie energii (kWh/rok)	235	Klasa klimatyczna:	umiarkowana, strefa subtropikalna,	
Minimalna temperatura otoczenia (°C), dla której odpowiedni jest układ chłodzenia	16	Maksymalna temperatura otoczenia (°C), dla której odpowiedni jest układ chłodzenia	38	
Nastawienie urządzenia na zimę	Nie			

Specyfikacja przestrzeni

Rodzaj przestrzeni	Parametry i wartość przestrzeni chłodzącej			
	Objętość urządzenia (dm ³ lub l)	Zalecane ustawienie temperatury dla optymalnego przechowywania żywności (°C)	Zdolność zamrażania (kg/24h)	Rodzaj rozmrażania (automatyczne rozmrażanie = A ręczne rozmrażanie = M)
Spizarnia	Nie	-	-	-
Przechowywanie wina	Nie	-	-	-

Piwnica	Nie	-	-	-	-
Świeża żywność	Tak	224,0	4	-	A
Komora zamrażarki	Nie	-	-	-	-
0 – gwiazdek lub kostkarka do lodu	Nie	-	-	-	-
1-gwiazdka	Nie	-	-	-	-
2-gwiazdki	Nie	-	-	-	-
3-gwiazdki	Nie	-	-	-	-
4-gwiazdki	Tak	86,0	-18	3,9	A
2-gwiazdkowa przestrzeń	Nie	-	-	-	-
Szuflada ze zmienną temperaturą	Nie	-	-	-	-
4-gwiazdkowa przestrzeń					
Funkcja szybkiego zamrażania			Tak		
Parametry źródła światła:					
Rodzaj źródła światła			LED		
Klasa efektywności energetycznej			F		
Minimalny okres gwarancji oferowany przez producenta: 24 miesiące					
Dodatkowe informacje:					
Link do strony internetowej producenta, na której są informacje o których mowa w pkt.4 lit. a) załącznika do rozporządzenia Komisji (UE) 2019/2022, można znaleźć na stronie: www.philco.cz					

* A (najwyższa wydajność) do G (najniższa wydajność)

INFORMACJE TECHNICZNE

Informacje techniczne można znaleźć na tabliczce znamionowej wewnątrz urządzenia oraz na etykiecie energetycznej. Kod QR na dostarczonej etykiecie energetycznej zawiera link do rejestracji urządzenia w unijnej bazie danych Eprei.

INFORMACJE O TESTACH

Dostarczone urządzenie jest zgodne z EcoDesign i EN62552. Wymagania dotyczące dostępu powietrza do prawidłowego działania urządzenia, minimalna odległość od ściany oraz wymiary urządzenia są częścią niniejszej instrukcji. W przypadku dalszych pytań prosimy o kontakt z producentem.

OBSŁUGA I OBSŁUGA KLIENTA

Zawsze używaj oryginalnych części zamiennych.

Oznakowanie modelu i numer serii znajdziesz na tablicy znamionowej. Pozycję tablicy znamionowej można zmienić bez uprzedniego ostrzeżenia. Oryginalne części zamienne dla niektórych konkretnych komponentów są do dyspozycji min. 7 lub 10 lat. Jest to zależne od typu komponentu oraz od wprowadzenia ostatniego urządzenia danego modelu na rynek.

Kontaktując się z naszym autoryzowanym serwisem, należy mieć dostępne oznaczenie modelu, numer seryjny i opis wady.

Aby pobrać dokumenty, odwiedź www.philco.pl.

Aby zgłosić usterkę i uzyskać dodatkowe informacje serwisowe, odwiedź www.philco.pl/sposoby-zglaszania-reklamacji-gwarancyjnej.

Zastrzega się możliwość zmian bez powiadomienia.

WSKAZÓWKI O INFORMACJE DOTYCZĄCE LIKWIDACJI ZUŻYTYCH OPAKOWAŃ

Materiały z opakowań zlikwiduj w publicznym punkcie likwidacji odpadów.

LIKWIDACJA ZUŻYTYCH URZĄDZEŃ ELEKTRYCZNYCH I ELEKTRONICZNYCH



Znaczenie symbolu na produkcie, jego akcesoriach lub opakowaniu oznacza, że z tym produktem nie wolno obchodzić się, jak ze zwykłym odpadem komunalnym. Zlikwiduj ten produkt w odpowiednim punkcie zbiórki i recyklingu odpadów z urządzeń elektrycznych i elektronicznych. Ewentualnie w niektórych państwach Unii Europejskiej lub innych państwach europejskich jest możliwy zwrot produktu lokalnemu sprzedawcy, w przypadku zakupu podobnego nowego produktu. Odpowiednia likwidacja tego produktu pomoże oszczędzić cenne źródła naturalne i pomoże w prewencji ewentualnego negatywnego wpływu na środowisko i zdrowie ludzkie, do którego mogłoby dojść w wyniku niewłaściwej likwidacji odpadów. Szczegółowe informacje uzyskasz od lokalnego urzędu lub w najbliższym centrum zbiórki odpadów. Niewłaściwa likwidacja tego typu odpadu może podlegać wewnątrzpaństwowym przepisom o mandatach.

Informacja dla firm w Unii Europejskiej

Jeśli chcesz zlikwidować urządzenie elektryczne lub elektroniczne, poproś o potrzebne informacje swojego sprzedawcę lub dostawcę.

Likwidacja w innych państwach poza Unią Europejską

Jeśli chcesz zlikwidować ten produkt, poproś o niezbędne informacje o odpowiednim sposobie likwidacji w miejscowym urzędzie lub u swojego sprzedawcy.



Ten produkt spełnia wszystkie podstawowe wymagania rozporządzenia UE, które się do niego stosują.

Zmiany w tekście, dizajnie i danych technicznych mogą się pojawić bez uprzedniego ostrzeżenia i zastrzegamy sobie prawo do wykonania tychże zmian.

HŰTŐGÉP - MÉLYHŰTŐ

HASZNÁLATI ÚTMUTATÓ

PHILCO




Famous for Quality the World Over

PCN 310 EW
PCN 310 EX

**Tisztelt vásárlónk,
Köszönjük, hogy PHILCO terméket vásárolt. Kérjük, hogy a készülék helyes használata érdekében olvassa el az egész használati utasítást.**

TARTALOM

1. RÉSZ: BIZTONSÁGI UTASÍTÁSOK.....	2
1.1 A biztonsági figyelmeztető jelzések jelentése.....	12
1.2 Árammal kapcsolatos tudnivalók.....	12
1.3 Használatra vonatkozó figyelmeztetések.....	13
1.4 A helyszínre vonatkozó figyelmeztetések.....	14
2. RÉSZ: A KÉSZÜLÉK HELYES HASZNÁLATA	15
2.1 Elhelyezés.....	15
2.2 A készülék beállítása	16
2.3 Az ajtónyitás irányának megfordítása	17
2.4 Izzócsere	20
2.5 Üzembe helyezés	20
2.6 Energiatakarékossági tippek.....	20
3. RÉSZ: A KÉSZÜLÉK SZERKEZETE ÉS FUNKCIÓI	21
3.1 A készülék fő részei.....	21
3.2 Funkciók	22
4. RÉSZ: A KÉSZÜLÉK KARBANTARTÁSA ÉS TISZTÍTÁSA	24
4.1 Teljes tisztítás	24
4.2 Leolvasztás.....	25
4.3 Üzemen kívül helyezés.....	25
5. RÉSZ: HIBAELHÁRÍTÁS	26
6. RÉSZ: TERMÉKINFORMÁCIÓS ADATLAP	27

 A készülék tesztelése az EU vonatkozó, érvényes szabványai szerint zajlott.
A készülék megfelel az Európai Unió elektromos készülékek használatára vonatkozó biztonsági szabványainak.

1. RÉSZ: BIZTONSÁGI UTASÍTÁSOK



SZEMÉLYES BIZTONSÁGA ÉS A KÉSZÜLÉK HELYES HASZNÁLATA MIATT KÉRJÜK, HOGY A KÉSZÜLÉK BESZERELÉSE ÉS ÜZEMBE HELYEZÉSE ELŐTT OLVASSA EL FIGYELMESEN EZT A HASZNÁLATI UTASÍTÁST, A TANÁCSOKAT ÉS A FIGYELMEZTETÉSEKET. A HIBÁK ÉS SÉRÜLÉSEK ELKERÜLÉSE ÉRDEKÉBEN GONDOSKODNI KELL ARRÓL, HOGY A KÉSZÜLÉKET HASZNÁLÓ SZEMÉLYEK TISZTÁBAN LEGYENEK A HASZNÁLAT MÓDJÁVAL ÉS A BIZTONSÁGI FUNKCIÓKKAL. ŐRIZZE MEG AZ ÚTMUTATÓT. A KÉSZÜLÉK ELADÁSA ESETÉN MELLÉKELJE HOZZÁ A HASZNÁLATI UTASÍTÁST IS ÚGY, HOGY ANNAK TELJES ÉLETTARTAMA ALATT KÉZNÉL LEGYEN ÉS BIZTOSÍTANI TUDJA A HELYES ÉS BIZTONSÁGOS HASZNÁLATOT. BIZTONSÁGI ÉS TULAJDONVÉDELMI OKOKBÓL BE KELL TARTANI AZ ÚTMUTATÓ UTASÍTÁSAIT, MERT A GYÁRTÓ NEM VÁLLAL FELELŐSSÉGET AZ UTASÍTÁSOK MELLŐZÉSE MIATT FELLÉPŐ ANYAGI KÁROKÉRT.

- A KÉSZÜLÉKET HASZNÁLHATJÁK 8 ÉVNÉL IDŐSEBB GYERMEKEK ÉS KORLÁTOZOTT FIZIKAI, ÉRZÉKSZERVÍ ÉS MENTÁLIS KÉPESSÉGŰ, VAGY KELLŐ TAPASZTALATOKKAL NEM RENDELKEZŐ SZEMÉLYEK IS, HA FELÜGYELNEK RÁJUK ÉS TISZTÁBAN VANNAK A KÉSZÜLÉK HELYES ÉS BIZTONSÁGOS HASZNÁLATÁVAL ÉS A FENNÁLLÓ VESZÉLYEKKEL.
- 3 -8 ÉVES KORÚ GYEREKEK A TERMÉKET ÉLELMISZER BEHELYEZÉSÉRE ÉS KIEMELÉSÉRE HASZNÁLHATJÁK.
- A KÉSZÜLÉKKEL NEM JÁTSZHATNAK GYERMEKEK.
- A TISZTÍTÁST ÉS ÁPOLÁST NEM VÉGEZHETIK GYERMEKEK FELÜGYELET NÉLKÜL.

● A SÉRÜLT TÁPKÁBELT A FENNÁLLÓ VESZÉLYEK MIATT CSAK A MÁRKASZERVIZ CSERÉLHETI KI. TILOS HASZNÁLNI A KÉSZÜLÉKET, HA MEGSÉRÜLT A TÁPKÁBEL.

● **FIGYELEM:** HA AZ ÖN MODELLJÉN A JÉGKÉSZÍTŐ NEM CSATLAKOZIK A VÍZVEZETÉKHEZ, AKKOR CSAK IVÓVÍZZEL SZABAD FELTÖLTENI.

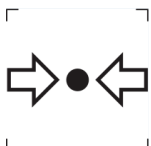
● **VIGYÁZAT:** TARTSA TISZTÁN ÉS AKADÁLYMENTESEN A TERMÉKEN VAGY A BEÉPÍTETT SZEKRÉNYEN LEVŐ SZELLŐZŐNYÍLÁSOKAT.

● **VIGYÁZAT:** NE HASZNÁLJON MECHANIKUS ESZKÖZÖKET A LEOLVASZTÁS MEGGYORSÍTÁSÁHOZ, CSAK HA A GYÁRTÓ JAVASOLJA AZOKAT.

● **VIGYÁZAT:** NEM SZABAD MEGRONGÁLNI A HŰTŐKÖRT.

● **VIGYÁZAT:** A KÉSZÜLÉK BELSŐ TÁROLÓTERÉBEN TILOS AZ ELEKTROMOS ESZKÖZÖK HASZNÁLATA, KIVÉVE, HA A GYÁRTÓ JAVASOLJA AZOKAT.

● **VIGYÁZAT:** NE TÁROLJON EBBEN A KÉSZÜLÉKBEN ROBBANÁSVESZÉLYES ANYAGOKAT, MINT PÉLDÁUL AEROSZOLOK, GYÚLÉKONY HAJÓANYAGÚ PERMETEK.



ISO 7000-1701 (2004-01)

A JELZÉS JELENTÉSE: NYOMÁS ALATT LÉVŐ MÉDIUM.

EZ A KÉSZÜLÉK HÁZTARTÁSOKBAN ÉS HASONLÓ HELYEKEN HASZNÁLHATÓ, MINT PÉLDÁUL:

- KLKALMAZOTTAK KONYHÁJÁBAN BOLTOKBAN, IRODÁKBAN ÉS MÁS MUNKAHELYEKEN;
- FARMOK, HOTELEK, MOTELEK ÉS MÁS SZÁLLÁSHELYEK VENDÉGEI ÁLTAL;
- REGGELIT SZOLGÁLTATÓ SZÁLLÁSHELYEKEN;
- CATERING ÉS MÁS KISKERESKEDELMI JELLEGŰ HASZNÁLAT.

CSAK NÉHÁNY HŰTŐSZEKRENY-MODELL RENDELKEZIK JÉGKÉSZÍTŐVEL IS. A BEÉPÍTETT JÉGKÉSZÍTŐ SZERELÉSÉT CSAK A GYÁRTÓ VAGY A MÁRKASZERVIZ VÉGEZHETI EL.

● VÍZVEZETÉKHEZ CSATLAKOZTATOTT JÉGKÉSZÍTŐVEL RENDELKEZŐ MODELLEK ESETÉBEN: **FIGYELEM:** KIZÁRÓLAG IVÓVÍZHEZ SZABAD BEKÖTNI.

● **FIGYELEM:** A KÉSZÜLÉKET AZ ÚTMUTATÓ SZERINT KELL TELEPÍTENI, A FELBORULÁS VESZÉLYÉNEK ELKERÜLÉSE VÉGETT.

● **FIGYELEM:** A HŰTŐRENDSZERBEN KERINGŐ HŰTŐKÖZEG NAGY NYOMÁS ALATT VAN. NE NYÚLJON A HŰTŐRENDSZERHEZ. A JAVÍTÁSOKAT CSAK SZAKKÉPZETT SZEMÉLYEK VÉGEZHETIK EL.



VIGYÁZAT:
TŰZVESZÉLY/GYŰLÉKONY ANYAGOK!

IZOBUTÁN HŰTŐGÁZT TARTALMAZ

R600a

HŰTŐKÖZEG

A HŰTŐKÖRBEN KERINGŐ IZOBUTÁN (R600a) EGY TERMÉSZETES ÉS KÖRNYEZETBARÁT GÁZ, DE ENNEK ELLENÉRE IS GYŰLÉKONY. SZÁLLÍTÁS KÖZBEN ÓVNI KELL A HŰTŐKÖR RÉSZEIT A SÉRÜLÉSEKTŐL. A HŰTŐKÖZEG (R600a) GYŰLÉKONY.

• **VIGYÁZAT** — A HŰTŐSZEKRENYEK HŰTŐKÖZEGET ÉS HŰTŐGÁZOKAT TARTALMAZNAK. A HŰTŐKÖZEGET ÉS A HŰTŐGÁZOKAT SZAKSZERŰEN KELL SELEJTEZNI, MERT SZEMSÉRÜLÉSEKET OKOZHATNAK VAGY MEGGYULLADHATNAK. SELEJTEZÉS ELŐTT ELLENŐRIZZE A HŰTŐVEZETÉK SÉRTETLENSÉGÉT.



A JELZÉS ARRA FIGYELMEZTET, HOGY A HŰTŐKÖZEG ÉS A SZIGETELŐ GÁZOK GYŰLÉKONYAK.

VIGYÁZAT: TŰZVESZÉLY – GYŰLÉKONY ANYAGOK

A HŰTŐKÖZEG SÉRÜLÉSE ESETÉN:

- KERÜLJE A NYÍLT TŰZET ÉS A TŰZVESZÉLYES HELYEKET.
- ALAPOSAN SZELLŐZTESSE KI A HELYISÉGET, AHOL A KÉSZÜLÉK ÁLL.

A KÉSZÜLÉK BÁRMILYEN VÁLTOZTATÁSA VAGY MÓDOSÍTÁSA VESZÉLYES LEHET.

A TÁPKÁBEL MINDEN SÉRÜLÉSE ZÁRLATOT, TŰZET ÉS/VAGY ÁRAMÜTÉST OKOZHAT.

● **FIGYELEM:** A HŰTŐKÖZEG A HŰTŐRENDSZERBEN NAGY NYOMÁS ALATT VAN. NE NYÚLJON A HŰTŐRENDSZERHEZ. A JAVÍTÁSOKAT CSAK KÉPZETT SZEMÉLYEK VÉGEZHETIK EL.

● **FIGYELEM:** A KÉSZÜLÉK ELHELYEZÉSÉNÉL ÓVNI KELL A TÁPKÁBELT A BECSÍPŐDÉSTŐL ÉS SÉRÜLÉSEKTŐL.

● **FIGYELEM:** NE HELYEZZEN TÖBBRÉSZES HORDOZHATÓ ALJZATOT VAGY MOBIL TÁPFORRÁSOKAT A KÉSZÜLÉK HÁTSÓ RÉSZÉHEZ.



ELEKTROMOS BIZTONSÁG

1. NEM SZABAD MEGHOSSZABBÍTANI A TÁPKÁBELT.
2. ELLENŐRIZZE A CSATLAKOZÓDUGÓ SÉRTETLENSÉGÉT.
A MEGRONGÁLT VAGY SÉRÜLT CSATLAKOZÓDUGÓ FELFORRÓSODHAT ÉS TÜZET OKOZHAT.
3. BIZTOSÍTANI KELL A CSATLAKOZÓDUGÓ JÓ HOZZÁFÉRHEŐSÉGÉT.
4. NE HÚZZA A TÁPKÁBELT.
5. NE CSATLAKOZTASSA A KÁBELT EGY KILAZULT DUGALJHOZ.
FENNÁLL AZ ÁRAMÜTÉS VAGY TŰZKÉPZŐDÉS VESZÉLYE.
6. NE ÜZEMELTESSE A KÉSZŰLÉKET A BELSŐ IZZÓ BURKOLATA NÉLKŰL.
7. A HŰTŐSZEKRENY TÁPELLÁTÁSÁT EGYFÁZISÚ 220~240 V/50 HZ VÁLTAKOZÓ ÁRAM BIZTOSÍTJA. HA A HELYI HÁLÓZAT FESZŰLTSGÉNEK INGADOZÁSA OLYAN MÉRTÉKŰ, HOGY AZ ÉRTÉKEK A TARTOMÁNYOK KÍVŰL ESNEK, BIZTONSÁGI OKOKBÓL AUTOMATIKUS FESZŰLTSG-SZABÁLYOZÓT KELL HASZNÁLNI 350 W-NÁL MAGASABB ÉRTÉKKEL.

A HŰTŐSZEKRENYT MÁŠ ELEKTROMOS ESZKÖZŐKKEL KÖZÖŠ ELOSZTÓ ALJZAT HELYETT EGY SPECIÁLIS, ÖNÁLLÓ ÉŠ FÖLDELT HÁLÓZATI ALJZATHOZ KELL CSATLAKOZTATNI.

MINDENNAPOS HASZNÁLAT

- **NE TÁROLJON GYÚLÉKONY GÁZOKAT ÉS FOLYADÉKOKAT A KÉSZÜLÉKBEN. ROBBANÁSVESZÉLY!**
- **NE HASZNÁLJON MÁΣ ELEKTROMOS ESZKÖZÖKET (PL. ELEKTROMOS FAGYLALTGÉPET, TURMIXGÉPET STB.) A KÉSZÜLÉKBEN.**
- **A KÉSZÜLÉK LEVÁLASZTÁSÁNÁL MINDIG A CSATLAKOZÓDUGÓT KELL MEGFOGNI. NE HÚZZA MAGÁT A KÁBELT.**
- **NE HELYEZZEN FORRÓ TÁRGYAKAT A KÉSZÜLÉK MŰANYAG RÉΣZEINEK KÖZELÉBE.**
- **NE HELYEZZEN SEMMIT A KÉSZÜLÉK SZELLŐZŐNYÍLÁSAI KÖZELÉBE A HÁTLAGON.**
- **A FAGYASZTOTT CSOMAGOLT ÉLELMISZERT A GYÁRTÓ CÉG UTASÍTÁSAI SZERINT KELL TÁROLNI SZIGORÚAN BE KELL TARTANI A GYÁRTÓ TÁROLÁSRA VONATKOZÓ UTASÍTÁSAIT. OLVASSA EL AZ UTASÍTÁSOKAT.**
- **SZIGORÚAN KÖVETÉSE KELL A GYÁRTÓ KÉSZÜLÉKTÁROLÁSI AJÁNLÁSÁT. LÁSD A MEGFELELŐ TÁROLÁSI UTASÍTÁSOKAT.**
- **NE HELYEZZEN SZÉNSAVAS VAGY HABZÓ ITALOKAT A FAGYASZTÓTÉRBE, MERT EZEK NYOMÁST GYAKOROLNAK A TÁROLÓEDÉNYRE, AMELY ÍGY FELROBBANHAT ÉΣ A KÉSZÜLÉK KÁROSODÁSÁT OKOZHATJA.**
- **NE FOGYASSZON FAGYASZTOTT ÉLELMISZERT KÖZVETLENŰL KIEMELÉS UTÁN, MERT FENNÁLL A SÉRŰLÉSEK VESZÉLYE.**

- NE HELYEZZE NAPSÜTÖTT HELYRE A KÉSZÜLÉKET.
- ÉGŐ GYERTYÁKAT, LÁMPÁKAT ÉS MÁS, NYÍLT LÁNGGAL MŰKÖDŐ ESZKÖZÖKET A TŰZKÉPZŐDÉS VESZÉLYE MIATT A KÉSZÜLÉKTŐL BIZTONSÁGOS TÁVOLSÁGBAN KELL HASZNÁLNI.
- A KÉSZÜLÉK ÉTELEK ÉS/VAGY ITALOK TÁROLÁSÁRA SZOLGÁL HÁZTARTÁSOKBAN, AZ ÚTMUTATÓ SZERINT. A KÉSZÜLÉK NEHÉZ. ÁTHELYEZÉSÉNÉL FOKOZOTT ÓVATOSSÁGRA VAN SZÜKSÉG.
- NE EMELJEN KI ÉS NE ÉRINTSEN MEG SEMMIT A FAGYASZTÓTÉRBE VIZES VAGY NEDVES KÉZZEL. EZ FELSÉRTHETI A BŐRT VAGY FAGYÁSI SÉRÜLÉSEKET OKOZHAT.
- NEM SZABAD A KÉSZÜLÉKBE LÉPNI VAGY AZ ALJZATNÁL, AJTÓNÁL STB. FOGVA MEGEMELNI A KÉSZÜLÉKET.
- A FAGYASZTOTT ÉLELMISZERT KIOLVASZTÁS UTÁN NEM SZABAD ISMÉT LEFAGYASZTANI.
- NE FOGYASSZON JÉGKRÉMET VAGY JÉGKOCKÁKAT KÖZVETLENÜL KIEMELÉSÜK UTÁN A FAGYASZTÓBÓL, MERT FAGYÁSI SÉRÜLÉSEKET OKOZHATNAK AZ AJKAKON VAGY A SZÁJÜREGBEN.
- A BEHELYEZETT TÁRGYAK KIESÉSE, VALAMINT SÉRÜLÉSEK ÉS ANYAGI KÁROK MEGELŐZÉSE MIATT NEM SZABAD TÚLTERHELNI A REKESZKET ÉS TÚL SOK ÉTELT HELYEZNI A FIÓKOKBA.




SZERELÉS

FONTOS!

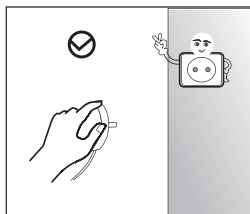
- A CSATLAKOZTATÁSNÁL AZ ELEKTROMOS HÁLÓZATHOZ BE KEL TARTANI AZ ÚTMUTATÓ UTASÍTÁSAIT. CSOMAGOLJA KI ÉS ELLENŐRIZZE A KÉSZÜLÉKET SÉRÜLÉSEK SZEMPONTJÁBÓL.
- SÉRÜLT KÉSZÜLÉKET NEM SZABAD CSATLAKOZTATNI. ILYEN ESETBEN ÉRTESÍTSE AZ ELADÓT ÉS ŐRIZZE MEG A CSOMAGOLÓANYAGOT.
- CSATLAKOZTATÁS ELŐTT HAGYJA ÁLLNI NÉHÁNY ÓRÁN ÁT A KÉSZÜLÉKET, EZ ELŐSEGÍTI AZ OLAJ EGYENLETES ELOSZLÁSÁT A KOMPRESSZORBAN.
- A KÉSZÜLÉK KÖRÜL GONDOSKODNI KELL A JÓ LÉGÁRAMLÁSRÓL, KÜLÖNBEN TÚLMELEGEDHET. TARTSA BE A SZELLŐZÉSRE VONATKOZÓ SZERELÉSI UTASÍTÁSOKAT.
- A KÉSZÜLÉK HÁTLAGJA LEHETŐLEG NE LEGYEN TÚL KÖZEL A FALHOZ, ÉS NE ÉRJEN A FORRÓ RÉSZEKHEZ (KOMPRESSZOR, KONDENZÁTOR), MERT FENNÁLL A TŰZKÉPZŐDÉS VESZÉLYE. TARTSA BE A VONATKOZÓ SZERELÉSI UTASÍTÁSOKAT.
- NE HELYEZZE FŰTŐTESTEK ÉS GÁZTŰZHELYEK KÖZELÉBE A KÉSZÜLÉKET.
- SZERELÉS UTÁN GYŐZŐDJÖN MEG ARRÓL, HOGY A CSATLAKOZÓDUGÓ KÖNNYEN HOZZÁFÉRHEŐ.
- TÁROLJA GYERMEKEKTŐL TÁVOL AZ ÖSSZES CSOMAGOLÓANYAGOT, FENNÁLL A FULLADÁS VESZÉLYE.
- A HŰTŐSZEKRENY/FAGYASZTÓ BELSEJE AZ ELSŐ HASZNÁLAT ELŐTT SZAGOT ÁRASZTHAT. EZ NORMÁLIS JELENSÉG. A SZAG ELTŰNIK, AMINT A KÉSZÜLÉK HŰTENI/FAGYASZTANI KEZD.

- A HŰTŐSZEKRENY/FAGYASZTÓ CSATLAKOZTATÁSA ELŐTT GYŐZŐDJÖN MEG ARRÓL, HOGY A HÁLÓZATI FESZÜLTÉG MEGFELEL A HŰTŐSZEKRENY/FAGYASZTÓ CSATLAKOZTATÁSÁRA VONATKOZÓ KÖVETELMÉNYEKNEK. KÉTSÉGEK ESETÉN FORDULJON SZAKKÉPZETT VILLANYSZERELŐHÖZ.
- A KÉSZÜLÉKET EGY MEGFELELŐ FESZÜLTÉGŰ DUGALJHOZ KELL CSATLAKOZTATNI, SZAKSZERŰEN BESZERELT BIZTOSÍTÉKKAL ELLÁTVA.
- A HŰTŐSZEKRENYT/FAGYASZTÓT TILOS A SZABADBAN ELHELYEZNI VAGY ESŐNEK KITENNI.
- A HŰTŐSZEKRENYT/FAGYASZTÓT LEGALÁBB 50 CM TÁVOLSÁGRA KELL ELHELYEZNI A FŰTŐTESTEKTŐL, FŰTÉS-CSÖVEKTŐL, GÁZVEZETÉKEKTŐL STB.
- HA A HŰTŐ-FAGYASZTÓ A FAGYASZTÓ MELLETT VAN ELHELYEZVE, AKKOR LEGALÁBB 2 CM TÁVOLSÁGOT KELL HAGYNI KÖZÖTTÜK.
- NE TEGYEN NEHÉZ TÁRGYAKAT A HŰTŐSZEKRENY/FAGYASZTÓ TETEJÉRE, NE FEDJE LE.
- A HŰTŐSZEKRENY/FAGYASZTÓ FELETT LEGALÁBB 100-150 MM ÜRES TÉRNEK KELL LENNIE.
- EZ A KÉSZÜLÉK HÁZTARTÁSI HASZNÁLATRA KÉSZÜLT, ÉS KIZÁRÓLAG ÉLELMISZER
- HŰTÉSÉRE/FAGYASZTÁSÁRA ALKALMAS. NEM ALKALMAS KERESKEDELMI HASZNÁLATRA VAGY ÉLELMISZEREKTŐL ELTÉRŐ ANYAGOK TÁROLÁSÁRA. A GYÁRTÓ NEM VÁLLAL FELELŐSSÉGET A KÉSZÜLÉK NEM RENDELTETÉSSZERŰ HASZNÁLATÁBÓL EREDŐ KÁROKÉRT.

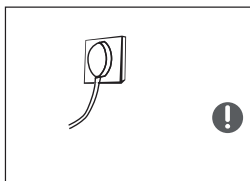
1.1 A biztonsági figyelmeztető jelzések jelentése

 Tiltás jele	A tiltás jele. Az ilyen jelölésű utasítások mellőzése és be nem tartása a készülék károsodásához vagy személyi sérülésekhez vezethet.
 Figyelmeztetés jele	Figyelmeztető jel. Szigorúan be kell tartani az ilyen jelölésű utasításokat; ellenkező esetben fennáll a károsodás vagy személyi sérülések veszélye.
 Megjegyzés jele	A megjegyzések jele. Az ilyen jelölésű utasítások fokozott óvatosságra intenek. Óvatosság hiánya esetén fennáll a könnyű vagy közepesen súlyos sérülések, illetve anyagi károk veszélye.

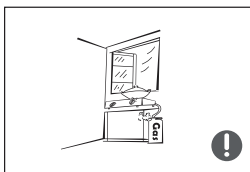
1.2 Árammal kapcsolatos tudnivalók



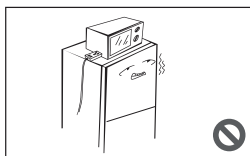
- Ne húzza meg a tápkábelt a készülék leválasztásánál az áramkörről.
Fogja meg erősen a dugót, és közvetlenül húzza ki az aljzathoz.
- A biztonságos használatért ne sértse meg a tápkábelt, és ne használja a tápkábelt, ha az sérült vagy kopott.



- Használjon önálló aljzatot, és ne csatlakoztasson más elektromos készüléket ehhez az aljzathoz.
- A dugónak szilárdan érintkeznie kell az elektromos aljzattal, különben tűzveszélyes lehet.
- Ellenőrizze, hogy az elektromos aljzat földelő elektródája megbízható földelő vezetékkel van-e ellátva.

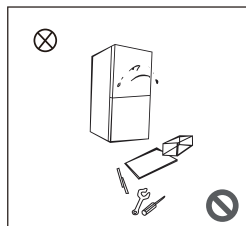


- Gáz vagy más gyúlékony anyag szivárgása esetén zárja el a gázszelepet és nyissa ki az ajtókat és ablakokat.
- Ne húzza ki a készüléket és más elektromos készülékeket, mert a szikrák tüzet okozhatnak.

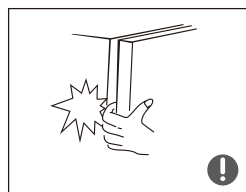


- Ne helyezzen más elektromos készüléket erre a készülékre, kivéve a gyártó által javasolt típusokat.

1.3 Használatra vonatkozó figyelmeztetések



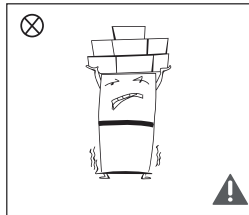
- Ne szerelje szét vagy építse át önkényesen a készüléket, illetve ne rongálja meg a hűtőkört; a készülék karbantartását szakembernek kell elvégeznie.
- A sérült tápkábelt a gyártónak, annak karbantartó részlegének vagy hasonló szakembereknek kell kicserélnie a veszély elkerülése érdekében.



- A készülék ajtaja, valamint az ajtó és a készülék teste közötti rések kicsik, ne dugja be a kezét ezekre a területekre, hogy mert beszorulhat. Legyen óvatos a készülék ajtajának becsukásakor, hogy semmi se boruljon fel.
- Amikor a készülék üzemel, ne vegyen ki nedves kézzel ételmiszert vagy edényeket a fagyasztóból, különösen fémtartályokat ne, mert fennál a fagyási sérülések veszélye.

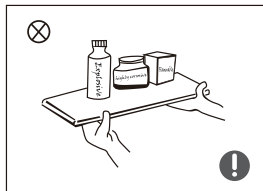


- Ne engedje, hogy gyermekek másszanak a készülékbe vagy annak ajtajára; fennáll a gyermekek beszorulásának és fulladásának, ill. sérüléseinek veszélye.

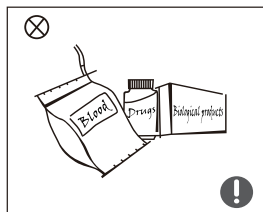


- Ne helyezzen nehéz tárgyakat a készülék tetejére. Ezek a tárgyak az ajtónyitáskor leeshetnek és sérüléseket okozhatnak.

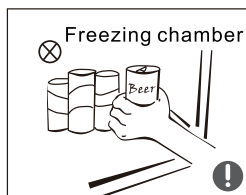
1.4 A helyszínre vonatkozó figyelmeztetések



- Ne helyezzen gyúlékony, robbanásveszélyes, illékony és erősen maró tárgyakat a készülékbe, hogy elkerülje a készülék károsodását vagy a tüzet.
- Ne helyezzen gyúlékony tárgyakat a készülék közelébe, mert fennáll a tűzképződés veszélye.



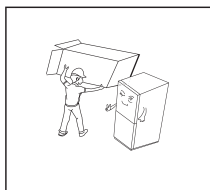
- A készülék háztartási használatra, főleg élelmiszer tárolására készült; más célra, például vér, gyógyszerek vagy biológiai termékek stb. tárolására nem használható.



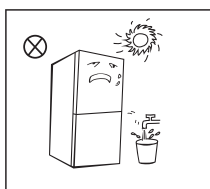
- Ne tároljon sört, italt vagy más palackos vagy dobozos folyadékot a fagyasztótérben; ellenkező esetben a palackok vagy zárt tartályok a fagyás miatt megrepedhetnek és kárt okozhatnak.

2. RÉSZ: A KÉSZÜLÉK HELYES HASZNÁLATA

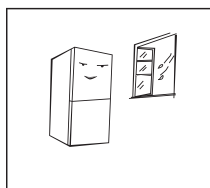
2.1 Elhelyezés



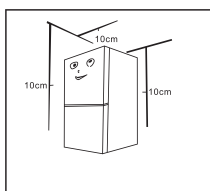
- Üzembe helyezés előtt távolítsa el a csomagolóanyagot, beleértve az alsó alátétet, habszivacsot és a készülék belsejében lévő szalagokat; vegye le a védőfóliát a készülékről és az ajtóról.



- A terméket hőforrásoktól és közvetlen napsugaraktól távol kell elhelyezni. Ne helyezze nedves helyiségbe és víz közelébe, így megelőzhető a korrózió és a szigetelés hatékonyságának romlása.
- Ne fecskendezzen vizet a készülékre, és ne merítse vízbe. Ne helyezze nedves közegbe, ahol fennáll a vízfecskendezésének lehetősége. Ez befolyásolja a készülék elektromos szigetelési tulajdonságait.



- A hűtőszekrényt jól szellőztetett helyiségbe kell helyezni. A padló legyen egyenes és szilárd (szükség esetén forgassa balra vagy jobbra a szintezőkereket, ha a készülék nem stabil).



- Ezt a készüléket külön kell telepíteni és nem használható beépített készülékként. Ellenkező esetben problémák léphetnek fel, mint a szekrénybe való szerelés meghiúsulása, a termék teljesítményének és élettartamának csökkenése. A gyártó ilyen esetben nem nyújt alapvető termékgaranciát.
- A készülék felett 10 cm-nél nagyobb teret kell hagyni, és a készüléket a faltól legalább 10 cm-re kell helyezni a hőelvezetés megkönnyítése érdekében.

Klímaosztály és jelentősége:

Jellemzés	Osztály	Környező hőmérséklet °C
Bővített övezet	SN	+10°C és +32°C között
Mérsékelt övezet	N	+16°C és +32°C között
Szubtrópusi övezet	ST	+16°C és +38°C között
Trópusi övezet	T	+16°C és +43°C között

Bővített mérsékelt övezet:

Ez a hűtőkészülék 10°C és 32°C közötti környező hőmérsékleti tartományban használható.

Mérsékelt övezet:

Ez a hűtőkészülék 16°C és 32°C közötti környező hőmérsékleti tartományban használható.

Szubtrópusi övezet:

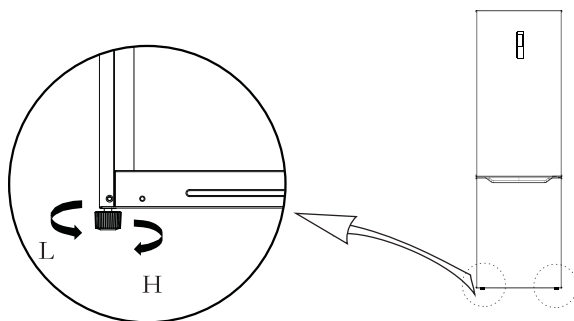
Ez a hűtőkészülék 16°C és 38°C közötti környező hőmérsékleti tartományban használható.

Trópusi övezet:

Ez a hűtőkészülék 16°C és 43°C közötti környező hőmérsékleti tartományban használható.

2.2 A készülék beállítása

A szintezőlábak vázlata



(A fenti ábra tájékoztató jellegű. A tényleges konfiguráció a fizikai terméktől vagy a forgalmazó nyilatkozatától függ).

A beállítása menete:

- A szintező láb elfordításával az óramutató járásának irányában a készülék magasabban lesz.
- A szintező láb elfordításával az óramutató járásával ellenkező irányban a készülék alacsonyabban lesz.
- Állítsa be a jobb- és baloldali szintező lábat úgy, hogy a készülék egyenesen álljon és ne billegjen.

2.3 Az ajtónyitás irányának megfordítása

Szükség esetén az ajtó nyitási oldalát a jobb oldalról (szállításkor) a bal oldalra lehet cserélni.

A felhasználó által biztosítandó szerszámok



Keresztcsavarhúzó



Spatula és vékony pengéjű csavarhúzó

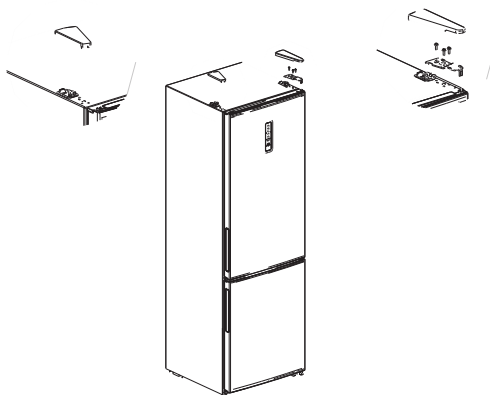


5/16"
csőkulcs

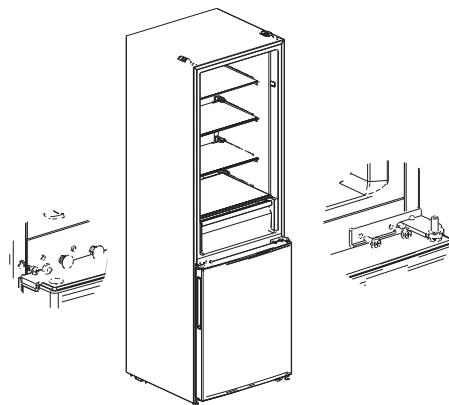


Fedőszalag

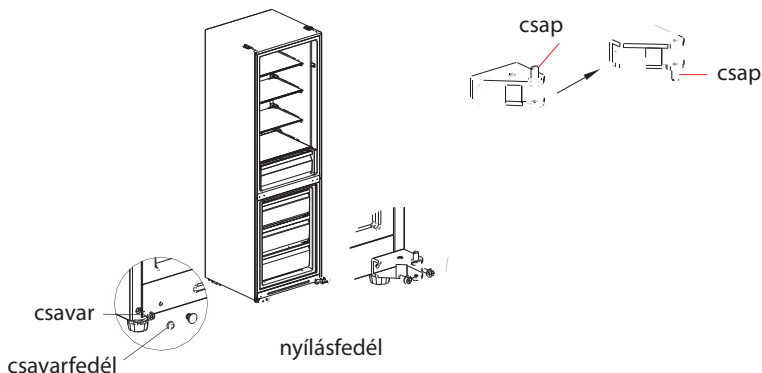
- 1) Kérjük, a művelet végrehajtása előtt kapcsolja ki a készüléket. Távolítsa el minden élelmiszert az ajtópolcokról.
- 2) Szerelje le a felső zsanérfedelelet, vegye le a jelzővezetékeket, a felső zsanért és a másik oldalon lévő nyílásfedelelet, szerelje le a hűtőtér ajtaját.



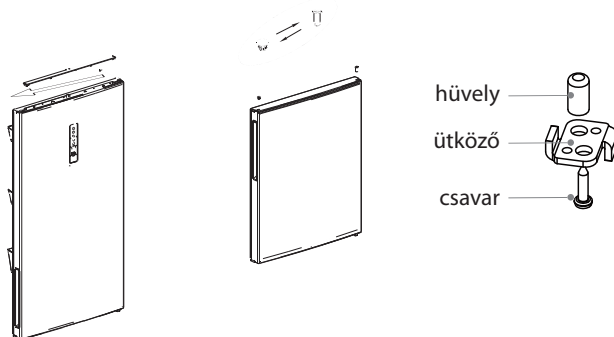
- 3) Távolítsa el a középső zsanért, a csavarokat, a csavarfuratok fedelét, és emelje le a fagyasztó ajtaját.



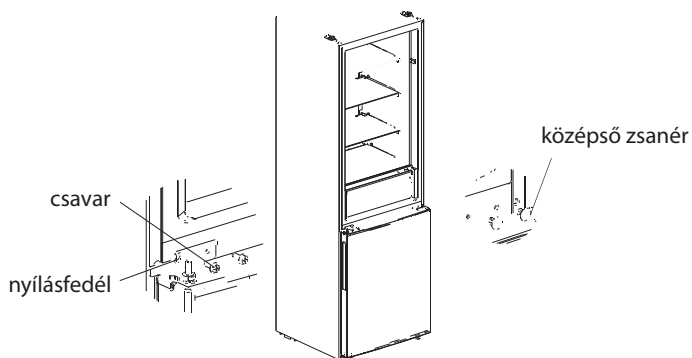
- 4) Szerelje le az alsó zsanért, a nyílásfedeleket és a csavarokat, szerelje fel az alsó zsanércsapot az alsó zsanér másik oldalára, majd szerelje fel a zsanért a másik oldalra.



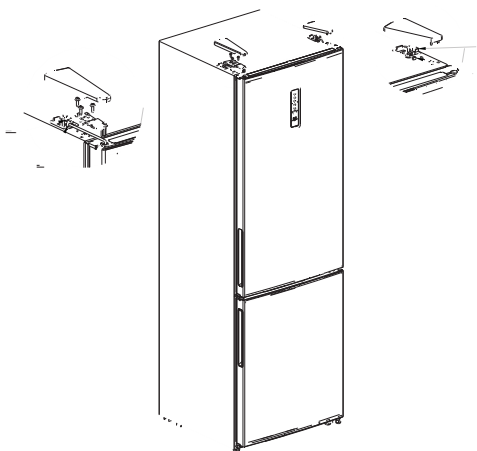
- 5) Szerelje le a csavarokat, a hüvelyt és az ütközőt a két ajtó alsó záróburkolatán, és egyenként szerelje fel azokat az ajtótestek másik oldalára (az ütközőt a tartozéktáskából kell kicserélni). Ezután szerelje le a hűtőtér ajtajának felső záróburkolatát, és helyezze át a kábelköteget a hüvelycsővel együtt az ajtótest másik oldalára. Végül szerelje be a hűtőtér ajtajának felső zsanérhüvelyét a hűtőtér ajtaja felső záróburkolatának másik oldalán lévő nyílásba.



- 6) Illessze a fagyasztótér ajtaját az alsó zsanérra, szerelje fel a középső zsanért, a csavarokat és a csavarfuratok fedelét.

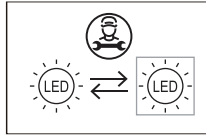


- 7) Illessze a hűtőtér ajtótestét a középső zsanérra, majd szerelje fel a felső zsanért a készülékház másik oldalára, végül csatlakoztassa a felső zsanér oldalán lévő 2 csatlakozót a jelzővezetékekhez és a 3,4 csatlakozót a másik oldalon, és fedje le a zsanérfedelelet és a nyílásfedelelet.



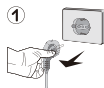

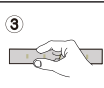
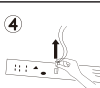
A fenti ábra tájékoztató jellegű. A tényleges konfiguráció a fizikai terméktől vagy a forgalmazó nyilatkozatától függ.

2.4 Izzócsere

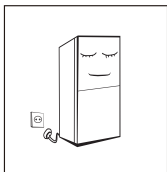


- A LED izzók cseréjét vagy karbantartását a gyártónak, annak szervizügynökének vagy hasonlóan képzett személynek kell elvégeznie.

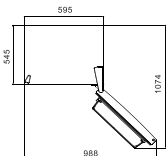
A termék fényforrását csak szakképzett szakemberek cserélhetik ki.

	1. Szerelés előtt húzza ki a dugót.		2. Szerelje le össze az árnyékolót egy csavarhúzóval.
	3. Vegye le a lámpa paneljét.		4. Szerelje le az összekötő kapcsot.

2.5 Üzembe helyezés



- Friss vagy fagyasztott élelmiszer behelyezése előtt a készüléknek 2-3 órán át, nyáron pedig, amikor a környezeti hőmérséklet magas, több mint 4 órán át üzemelnie kell.
- Áramszünet vagy tisztítás esetén húzza ki a dugót. Ne csatlakoztassa a készüléket öt percen belül az áramellátáshoz, hogy elkerülje a kompresszor korai beindulás miatti károsodását.



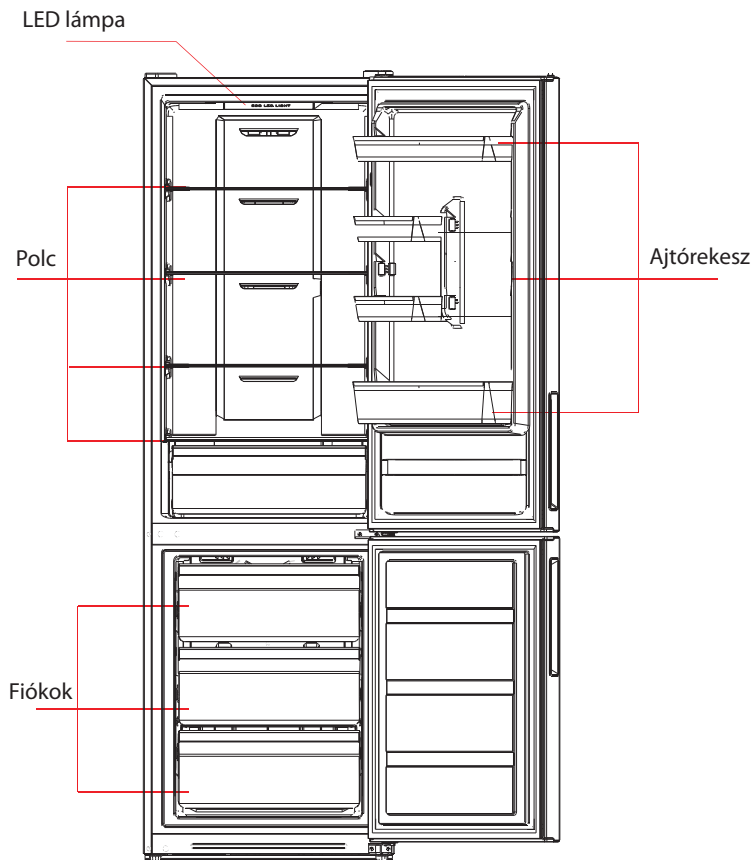
- Elegendő tér az ajtó és fiókok kényelmes nyitásához.

2.6 Energiatakarékosági tippek

- Helyezze a készüléket a helyiség leghidegebb részére, minél messzebb a hőforrásoktól vagy fűtővezetékeltől és távol a közvetlen napsugaraktól.
 - Behelyezés előtt hagyja szobahőmérsékletűre hűlni a meleg ételt. Túlterhelés esetén a kompresszor kénytelen tovább működni. A nagyon lassan lefagyasztott étel minősége csökkenhet, vagy meg is romolhat.
 - Behelyezés előtt mindig csomagolja be helyesen az ételt, az edényeket törölje szárazra. Ez csökkenti a jégképződését a készülék belsejében.
 - A tárolótér nem szabad alufóliával, zsírpapírral vagy papír törlőkendővel bevonni. Ezek megzavarják a hideg levegő áramlását és ezzel csökken a termék hatékonysága.
- Rendezze el és jelölje meg az ételt, ezzel csökkenteni lehet az ajtónyitások számát, és megkönnyíti a tájékozódást. Vegyen ki egyszerre annyi tételt, amennyi szükséges, és azonnal csukja be az ajtót.

3. RÉSZ: A KÉSZÜLÉK SZERKEZETE ÉS FUNKCIÓI

3.1 A készülék fő részei



(A fenti ábra tájékoztató jellegű. A tényleges konfiguráció a fizikai terméktől vagy a forgalmazó nyilatkozatától függ).

Hűtőtér

- A hűtőszekrény különböző gyümölcsök, zöldségek, italok és egyéb rövid ideig tárolható élelmiszer tárolására szolgál, ajánlott tárolási idő 3-5 nap.
- A főtt ételt nem szabad a hűtőtérbe helyezni, amíg nem hűlt szobahőmérsékletűre.
- Ajánlatos lezárni az ételt a hűtőszekrénybe helyezés előtt.
- Az üvegpolcok felfelé vagy lefelé állíthatóak a megfelelő tárolás és a könnyű használat érdekében.

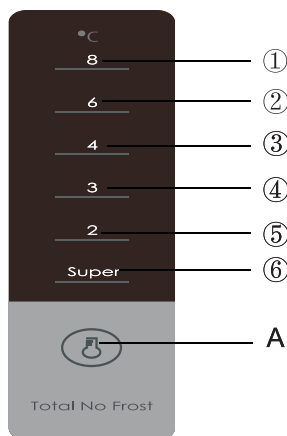
Fagyasztótér

- A fagyasztó hosszú ideig frissen tartja az élelmiszert, és elsősorban fagyasztott élelmiszerek tárolására és jégkészítésre használatos.
- A fagyasztótér hús, hal, rizsgolyó és egyéb olyan élelmiszerek tárolására használatos, amelyek rövid időn belül nem kerülnek fogyasztásra.
- A húst lehetőleg kis darabokra kell osztani, amelyek gyorsan lefagyaszthatóak és könnyen hozzáférhetőek. Felhívjuk figyelmét, hogy az élelmiszert a szavatossági időn belül el kell fogyasztani.

Hűtőfiók

- Friss hal, friss hús, friss élelmiszer stb. rövid távú (1-3 napos) tárolására szolgál.
- A fiók hátsó és alsó része közelében az étel megfagyhat, nem helyezzen bele olyan ételt, amit nem szabad lefagyasztani.
- Ajánlott az élelmiszerek osztályozása és csomagolása. A legenergiatakarékosabb fiókok, élelmiszerdobozok, polcok stb. a fenti képen látható pozícióknak megfelelően helyezkednek el.

3.2 Funkciók



(A fenti ábra tájékoztató jellegű. A tényleges konfiguráció a fizikai terméktől vagy a forgalmazó nyilatkozatától függ.)

1. Vezérlógomb

A. Hőmérséklet-beállító gomb

2. Kijelző

- ① Hőmérsékletbeállítás 1
- ② Hőmérsékletbeállítás 2
- ③ Hőmérsékletbeállítás 3
- ④ Hőmérsékletbeállítás 4
- ⑤ Hőmérsékletbeállítás 5
- ⑥ Hőmérsékletbeállítás 6

3. Megjelenítések a kijelzőn

A készülék bekapcsolásakor a kijelző (beleértve a gombjelzőt is) 3 másodpercre felvilágít, majd a készülék a 3. hőmérsékletbeállításnak megfelelően működik.

Normál működés kijelzője

Hiba esetén a megfelelő LED-kijelző a kombinált hibakód-kijelzést ábrázolja (a kijelzőn);

Ha nem lép fel hiba, a LED-kijelző a valódi hőmérséklet-beállítást ábrázolja.

4. Hőmérsékletfokozat beállítása

A hőmérsékletbeállítás a SET gomb minden megnyomásával változik. A készülék 15 másodperc múlva az új beállítási értékkel fog működni.

5. A kézi légszappantyú-vezérlő beállítása

Fordítsa felfelé a légszappantyún a csúszkát, a fagyasztórekesz tényleges hőmérséklete csökken.

Fordítsa lefelé a légszappantyún a csúszkát, a fagyasztórekesz tényleges hőmérséklete emelkedik.

Beállítás 1 → Beállítás 2 → Beállítás 3 → Beállítás 4 → Beállítás 5 → Beállítás 6 → Beállítás 1 →
.....

Hibajelzés

A kijelzőn megjelenő alábbi figyelmeztetések jelzik a készülék hibáit. Bár az alábbi hibák esetén is működhet a hűtés, a felhasználónak a készülék optimális működése érdekében fel kell vennie a kapcsolatot egy karbantartó szakemberrel.

Hibakód	Hiba ismertetése
Világít a LED ① és LED ②	Hűtőrekesz hőmérséklet-érzékelő áramköre
Világít a LED ① és LED ③	Fagyasztórekesz leolvastás-érzékelője
Világít a LED ① és LED ④	Környezeti hőmérséklet-érzékelő

Megjegyzés: A gyorsfagyasztás funkciót úgy tervezték, hogy megőrizze a fagyasztótérben lévő élelmiszerek tápértékét. A lehető legrövidebb idő alatt képes lefagyasztani az élelmiszert. Ha egyszerre nagy mennyiségű élelmiszert kíván lefagyasztani, akkor ajánlatos először bekapcsolni a gyorsfagyasztás funkciót az élelmiszer betöltése előtt. Ekkor a fagyasztótérben megnő a fagyasztási sebesség, ami gyorsan lefagyasztja az ételt, hatékonyan megőrzi az élelmiszer tápértékét és megkönnyíti a tárolást.

4. RÉSZ: A KÉSZÜLÉK KARBANTARTÁSA ÉS TISZTÍTÁSA

4.1 Teljes tisztítás

- A port a hűtőszekrény mögül és a padlóról időben el kell távolítani a hűtőhatékonyság növelése és az energiatakarékosság érdekében.
- Rendszeresen ellenőrizni kell az ajtó tömítését, hogy ne maradjanak rajta ételmaradványok. Tisztítsa meg a tömítést szappanos vagy mosogatószeres vízbe mártott puha ronggyal.
- A hűtőszekrény belső terét rendszeresen meg kell tisztítani a kellemetlen szagok megelőzése végett.
- Tisztítás előtt kapcsolja ki a készülék tápellátását, vegye ki az összes élelmiszert, italt, polcokat, rekeszeket stb.
- A belső tér tisztításához használjon egy puha rongyot vagy szivacsot két kanál szóda és egy liter meleg víz oldatával. Ezután öblítse ki vízzel a belső teret és törölje szárazra. Tisztítás után nyissa ki a készülék ajtaját, és hagyja kiszáradni a tápellátás bekapcsolása előtt.
- A hűtőszekrény nehezen tisztítható részeit (mint a rések, bemélyedések, sarkok) ajánlatos rendszeresen megtisztítani egy puha szövettel, puha kefével stb. Szükség esetén más eszközök (pl. vékony pálcikák) használata is megengedett a tisztításhoz annak érdekében, hogy a kérdéses részeken ne halmozódjanak fel a szennyeződések vagy baktériumok.
- Ne használjon szappant, tisztítószert, tisztítóport, spray tisztítót stb., mert ezek az eszközök szagképződést vagy élelmiszer-szennyeződést okozhatnak.
- A palacktartók, polcok és rekeszek tisztítása meleg szappanos vagy mosogatóvízbe mártott puha szövettel javasolt. Törölje szárazra egy puha szövettel, vagy hagyja kiszáradni.
- Törölje át a hűtőszekrény külső felületét meleg szappanos vagy mosogatóvízbe mártott puha szövettel, majd törölje szárazra.
- Ne használjon kemény kefét, drótkéfét, csiszoló szereket (p. fogkrémet), szerves higítókat (pl. alkohol, aceton, banánolaj stb.), forrásban levő vizet, savas vagy lúgos szereket, amelyek megrongálhatják a hűtőszekrény felületét vagy a belső teret. A forrásban levő víz és a szerves higítószerek, pl. benzol hatására a készülék műanyag részei eltorzulhatnak vagy megsérülhetnek.
- Tisztítás közben ne öblítse le közvetlenül vízzel vagy más folyadékkal a hűtőszekrényt, mert ez rövidzárlatot okozhat vagy az elektromos szigetelés meghibásodásához vezethet.



Leolvasztáskor és tisztításkor válassza le a készüléket az elektromos hálózatról.

4.2 Leolvasztás

- A készülék a léghűtés elvén működik, ezért automatikus leolvasztási funkcióval rendelkezik. Az évszak vagy a hőmérséklet változása által okozott fagyot manuálisan is el lehet távolítani a készülék áramellátásról való leválasztásával vagy száraz ruhával történő letörléssel.

4.3 Üzemen kívül helyezés

- Áramkimaradás: áramkimaradás esetén, még nyáron is, az ételek több órán keresztül a készülékben maradhatnak; áramkimaradás esetén az ajtók nyitási idejét csökkenteni kell, és nem szabad friss élelmiszert betenni a készülékbe.
- Hosszú távú szünetelés: a készüléket ki kell húzni a konnektorból, majd meg kell tisztítani; az ajtót ezután nyitva kell hagyni a szagok elkerülése érdekében.
- Áthelyezés: A készülék mozgatása előtt távolítsa el minden tárgyat, rögzítse az üvegpolcokat, a zöldségtartó fiókot, a fagyasztófiókokat stb. szalaggal, és húzza meg a szintező lábakat; zárja be az ajtót, és rögzítse szalaggal. Az áthelyezés során a készüléket nem szabad fejjel lefelé vagy vízszintesen tartani, sem rezgéseknek kitenni; az áthelyezés során a dőlésszög nem lehet nagyobb 45°-nál.

Bekapcsolás után a készüléknek folyamatos üzemben kell lennie. A készülék működése általában nem szakadhat meg, különben az élettartam csökkenhet.

5. RÉSZ: HIBAELHÁRÍTÁS

A következő egyszerű problémák könnyen megoldhatók. Ha nem sikerült, forduljon egy szervizközponthoz.

A készülék nem működik.	<ul style="list-style-type: none">• Győződjön meg arról, hogy a készülék csatlakoztatva van az elektromos hálózathoz, vagy hogy a csatlakozódugó jól érintkezik-e a hálózati aljzattal.• Ellenőrizze, hogy a hálózati feszültség nem túl alacsony-e.• Ellenőrizze, hogy nincs-e áramkiesés vagy részleges áramköri leállás.
Kellemetlen szag.	<ul style="list-style-type: none">• Az aromatis ételeket jól be kell csomagolni.• Ellenőrizze, hogy nincs-e romlott élelmiszer a készülékben.• Tisztítsa meg a készülék belsejét.
Túl sokáig megy a kompresszor.	<ul style="list-style-type: none">• A hosszantartó működés normális nyáron, magas környező hőmérsékletnél.• Ne tegyen egyszerre sok élelmiszert a készülékbe.• Az élelmiszernek le kell hűlnie behelyezés előtt.• A készülék ajtaja nagyon gyakran nyitva van.
Nem világít az izzó.	<ul style="list-style-type: none">• Ellenőrizze, hogy a hűtőszekrény csatlakoztatva van-e az elektromos hálózathoz, és a világítás nem sérült-e.• Az izzót szakemberrel cseréltesse ki.
Nem lehet jól becsukni az ajtót.	<ul style="list-style-type: none">• Az ajtókhöz csomagolóanyag tapad.• Sok étel van a készülékben.• A hűtőszekrény nem áll vízszintesen.
Túl zajos.	<ul style="list-style-type: none">• Győződjön meg arról, hogy a padló vízszintes, és a hűtőszekrény stabil.• Ellenőrizze, hogy a készülék tartozékai a megfelelő helyen vannak-e.
A tömítés nem ül rendesen.	<ul style="list-style-type: none">• Távolítsa el az idegen tárgyakat az ajtó tömítéséről.• Melegítse fel az ajtó tömítést, majd hűtse le a helyreállításához (vagy melegítse meg egy hajszárítóval, használjon forró törülközőt a melegítéshez).
Kifolyik a víz a víztartályból.	<ul style="list-style-type: none">• Sok élelmiszer van bent, vagy a tárolt élelmiszer sok vizet tartalmaz, ami erős olvadáshoz vezet.• Az ajtó nincs jól becsukva, a levegő beáramlása jegesedést okoz és a leolvastás miatt megemelkedik a vízszint.
Forró a készülék külső felülete.	<ul style="list-style-type: none">• A beépített kondenzátor hőleadása a készülék felületén keresztül, ami normális.• Ha a készülék felülete felmelegszik a magas környezeti hőmérséklet, nagy mennyiségű élelmiszer tárolása vagy a kompresszor kikapcsolása miatt, gondoskodjon megfelelő szellőzésről a hőelvezetés elősegítése érdekében.
Lecsapódik a víz a felületen.	<ul style="list-style-type: none">• A pára lecsapódása a készülék ajtajának külső felületén és tömítésein normális jelenség magas környezeti páratartalom esetén. Törölje le a kondenzvizet egy tiszta szövetvel.
Szokatlan hangok.	<ul style="list-style-type: none">• Morajlás: A kompresszor morajlása működés közben, különösen indításkor vagy leállításkor hangos. Ez normális jelenség.• Recsegés: A készülék belsejében áramló hűtőközeg hangja, normális jelenség.

6. RÉSZ: TERMÉKINFORMÁCIÓS ADATLAP

Termékinformációs adatlap

PHILCO 

A BIZOTTSÁG (EU) 2019/2016 FELHATALMAZÁSON ALAPULÓ RENDELETE a hűtőkészülékek energiacímkezéséről

A gyártó neve vagy védjegye: PHILCO

A gyártó székhelye: PHILCO, U Sanitasu 1621, 25101 Řičany, CZ

Modellszám: PCN310EW / PCN310EX

Hűtőberendezés-típus:

Alacsony zajszintű készülék:	Nem	Készülék típusa:	szabadon álló
Bortároló készülék:	Nem	Más hűtőkészülékek	Igen

Más hűtőkészülékek:

Paraméter	Érték	Paraméter	Érték
Méretek mm	Magasság	Teljes térfogat (dm ³ vagy l)	310
	Szélesség		
	Mélység		
Energiahatékonysági index (EEI)	100	Energiahatékonysági osztály *	E
Zajkibocsátás akusztikus hang (dB(A) re 1 pW)	42	Akusztikus zajkibocsátás osztálya	C
Éves energiafogyasztás (kWh/év)	235	Klimatikus osztály:	mérsékelt, szubtrópusi
Minimális környező hőmérséklet (°C), melynél használható a hűtőberendezés	16	Maximális környező hőmérséklet (°C), melynél használható a hűtőberendezés	38
Készülék beállítása télre	Nem		

A tér paramétere:

Tér típusa	A hűtőtér paramétere és értékei			
	Készülék térfogata (dm ³ vagy l)	Javasolt hőmérsékletbeállítások optimalizált élelmiszer-tároláshoz (°C)	Fagyasztó-térfogat (kg/24h)	Leolvasztás típusa: (önleolvasztó = A, kézi leolvasztás = M)
Kamra/spájz	Nem	-	-	-
Bortárolás	Nem	-	-	-
Pincehelyiség	Nem	-	-	-

Friss élelmiszer	Igen	224,0	4	-	A
Fagyasztótér	Nem	-	-	-	-
0-csillag vagy jégkészítő	Nem	-	-	-	-
1-csillag	Nem	-	-	-	-
2- csillag	Nem	-	-	-	-
3- csillag	Nem	-	-	-	-
4- csillag	Igen	86,0	-18	3,9	A
2- csillagos tér	Nem	-	-	-	-
Fiók váltakozó hőmérséklettel	-	-	-	-	-
4-csillagos tér					
Gyorsfagyasztó funkció			Igen		
Fényforrás paraméterei:					
Fényforrás típusa			LED		
Energiahatékonysági osztály			F		
A gyártó által biztosított minimális garancia: 24 hónap					
Kiegészítő információk:					
Weblink a gyártó weboldalára a 4. pontban ismertetett információkkal (és) a Komisszió (EU) 2019/2022 rendeletének mellékletével, forrás: www.philco.cz					

MŰSZAKI INFORMÁCIÓK

A műszaki információka készülék belsejében található típustáblán és az energiacímkén található. A mellékelt energiacímkén található QR-kód tartalmaz egy linket a készülék regisztrálására az EU Eprei adatbázisában. Őrizze meg az energiacímkét, a használati utasítást, valamint a készülékhez kapott egyéb dokumentumokat.

VIZSGÁLATI INFORMÁCIÓK

A leszállított készülék megfelel az EcoDesign és az EN 62552-1:2020; EN 62552-2:2020; EN 62552-3:2020; EN 60704-2-14:2013 + A11:2015 + A1:2019; EN 60704-1:2010 + A11:2012 szabványoknak. A készülék helyes működéséhez, a faltól való minimális távolsághoz és a készülék méretéhez szükséges légi hozzáférési követelmények a kézikönyv részét képezik. További kérdéseivel forduljon a gyártóhoz.

ÜGYFÉLKÖRNYEZET ÉS SZOLGÁLTATÁS

Mindig eredeti pótalkatrészeket használjon.

A modellnév és a sorozatszám a típuslapon található. A típuslap helyzete előzetes figyelmeztetés nélkül megváltozhat.

Az eredeti pótalkatrészek néhány konkrét komponenshez legalább 7-10 évig rendelkezésre állnak.

Ez a komponens típusától és az adott modell utolsó készüléke forgalomba hozatalának idejétől függ.

Amikor kapcsolatba lép a hivatalos szervizünkkel, rendelkezésére kell bocsátani a modell megnevezését, a sorozatszámot és a hibaleírást.

Dokumentumok letöltéséhez látogasson el a www.philco.hu oldalra.

Ha hibát szeretne jelenteni, és további szolgáltatási információkat szeretne kapni, látogasson el a www.philco.hu/tamogatas-szerviz.

Előzetes értesítés nélkül változtatható.

A HASZNÁLT CSOMAGOLÓANYAGOK SELEJTEZÉSÉRE VONATKOZÓ UTASÍTÁSOK ÉS INFORMÁCIÓK

A csomagolóanyagokat csak egy hivatalos hulladékértékesítő telephelyen szabad selejtezni.

A HASZNÁLT ELEKTROMOS ÉS ELEKTRONIKUS KÉSZÜLÉKEK SELEJTEZÉSE



Az áthúzott konténer ikonja a készüléken vagy a csomagolóanyagon azt jelenti, hogy ezt a készüléket nem szabad a háztartásbeli hulladékkal együtt selejtezni. Az ilyen készüléket egy, az elektromos és elektronikus készülékek újrahasznosításával foglalkozó gyűjtőtelepen kell leadni. Az EU egyes államaiban, akárcsak más európai országokban gyakran a termék viszonteladója is átveszi a készüléket egy új készülék vásárlása esetén. A helyes selejtezéssel Ön is hozzájárulhat a régi készülékek megfelelő feldolgozásához és újrahasznosításához. A szakszerű selejtezés megelőzi az esetleges negatív kihatásokat az emberi egészségre és a környezetre. Részletes információkkal a helyi hivatal, vagy a legközelebbi hulladékhasznosító telephely szolgálhat. A termék szabálytalan selejtezése a helyi törvények értelmében büntetendő lehet.

Vállalkozók az EU területén

Az elektromos és elektronikus készülékek helyes selejtezéséről a helyi viszonteladó vagy forgalmazó tud tájékoztatást nyújtani.

Selejkezés a nem EU államokban

Kérjük, érdeklődjön a termék helyes selejtezéséről a helyi hivatalokban vagy a termék eladójánál.



Ez a termék megfelel a vonatkozó EU szabványok valamennyi alapvető követelményének.

A gyártó fenntartja a kísérőszöveg, külalak és műszaki adatok előzetes figyelmeztetés nélküli változtatásának jogát.

A használati útmutató eredeti példája cseh nyelven.

Výrobce/Manufacturer:
Fast ČR, a.s.
U Sanitasu 1621
Říčany 251 01, CZECH
REPUBLIC

Distributor:
FAST PLUS, a.s.,
Vlčie hrdlo 324/90
821 07 Bratislava, SLOVAKIA

Distributor:
FAST POLAND Sp. z o. o.
Kwietniowa 36
05-090 Wypędy, POLAND

Distributor:
FAST HUNGARY Kft.
H-2310 Szigetszentmiklós
Kántor utca 10, HUNGARY

PHILCO[®] 

**is pending or registered trademark of Electrolux Home
Products, Inc. and used under a license from Electrolux
Home Products, Inc**