

REFRIGERATOR

OWNER'S MANUAL

PHILCO




Famous for Quality the World Over

PTB 113 EW

**Dear customer,
Thank you for buying a PHILCO brand product. So that your appliance serves you well, please read all the instructions in this user's manual.**

CONTENTS

PART 1: SAFETY INFORMATION	2
PART 2: DESCRIPTION OF THE APPLIANCE	11
MAIN CONFIGURATION	11
PART 3: UNPACKING YOUR REFRIGERATOR	12
PART 4: CLEANING BEFORE USE	12
PART 5: SPACE REQUIREMENTS	12
PART 6: ELECTRICAL REQUIREMENT	13
RECOMMENDED EARTHING METHOD	13
PART 7: LEVELING	13
PART 8: USE OF THE APPLIANCE	14
TEMPERATURE CONTROL (OPTIONAL).....	14
FRESH FOOD STORAGE	14
FROZEN FOOD STORAGE	15
DEFROSTING	15
CLEANING.....	16
PART 9: PROLONGED OFF PERIODS	16
PART 10: REFRIGERATOR DOOR INSTALL GUIDELINES ABOUT SWAPPING LEFT&RIGHT (OPTIONAL)	17
ENERGY SAVING TIPS	22
DAILY USE	22
PART 11: TROUBLE SHOOTING	23
STORAGE INSTRUCTIONS	24
PLACEMENT OF FOOD IN THE APPLIANCE.....	25
PART 12: PRODUCT INFORMATION SHEET	26
TECHNICAL INFORMATION	28
TESTING INFORMATION.....	28
CUSTOMER CARE AND SERVICE.....	28
INSTRUCTIONS AND INFORMATION REGARDING THE DISPOSAL OF USED PACKAGING MATERIALS	29
DISPOSAL OF USED ELECTRICAL AND ELECTRONIC APPLIANCES	29

 This appliance has been tested in accordance with the directives in force in the European Union. This appliance conforms to the relevant safety provisions for electrical appliances in force in the European Union.

PART 1: SAFETY INFORMATION



FOR YOUR SAFETY AND CORRECT USAGE, BEFORE INSTALLING AND FIRST USING THE APPLIANCE, READ THIS USER MANUAL CAREFULLY, INCLUDING ITS HINTS AND WARNINGS. TO AVOID UNNECESSARY MISTAKES AND ACCIDENTS, IT IS IMPORTANT TO MAKE SURE THAT ALL PEOPLE USING THE APPLIANCE ARE THOROUGHLY FAMILIAR WITH ITS OPERATION AND SAFETY FEATURES. SAVE THESE INSTRUCTIONS AND BE SURE THAT THEY REMAIN WITH THE APPLIANCE IF IT IS MOVED OR SOLD, SO THAT ANYONE USING IT THROUGHOUT ITS LIFE, WILL BE PROPERLY INFORMED ON ITS USAGE AND SAFETY NOTICES. FOR THE SAFETY OF LIFE AND PROPERTY, KEEP THE PRECAUTIONS OF THESE USER'S INSTRUCTIONS AS THE MANUFACTURER IS NOT RESPONSIBLE FOR DAMAGES CAUSED BY OMISSION.

- THIS APPLIANCE CAN BE USED BY CHILDREN AGED FROM 8 YEARS AND ABOVE AND PERSONS WITH REDUCED PHYSICAL, SENSORY OR MENTAL CAPABILITIES OR LACK OF EXPERIENCE AND KNOWLEDGE IF THEY HAVE BEEN GIVEN SUPERVISION OR INSTRUCTION CONCERNING USE OF THE APPLIANCE IN A SAFE WAY AND UNDERSTAND THE HAZARDS INVOLVED.
- CHILDREN AGED FROM 3 TO 8 YEARS ARE ALLOWED TO LOAD AND UNLOAD REFRIGERATING APPLIANCES.
- CHILDREN SHALL NOT PLAY WITH THE APPLIANCE.
- CLEANING AND USER MAINTENANCE CANNOT BE PERFORMED BY CHILDREN WITHOUT SUPERVISION.

● IF THE SUPPLY CABLE GETS DAMAGED, HAVE IT REPLACED BY A SPECIALIZED SERVICE CENTER IN ORDER TO AVOID DANGEROUS SITUATIONS. IT IS PROHIBITED TO USE THE APPLIANCE WHEN THE SUPPLY CABLE IS DAMAGED.

● **CAUTION:** IF YOUR MODEL IS EQUIPPED WITH AN ICE MAKER WITHOUT WATER SUPPLY CONNECTION, FILL IT WITH DRINKING WATER ONLY.

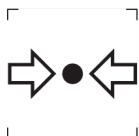
● **WARNING:** KEEP VENTILATION OPENINGS, IN THE APPLIANCE ENCLOSURE OR IN THE BUILT-IN STRUCTURE, CLEAR OF OBSTRUCTION.

● **WARNING:** DO NOT USE MECHANICAL DEVICES OR OTHER MEANS TO ACCELERATE THE DEFROSTING PROCESS, OTHER THAN THOSE RECOMMENDED BY THE MANUFACTURER.

● **WARNING:** DO NOT DAMAGE THE REFRIGERANT CIRCUIT.

● **WARNING:** DO NOT USE ELECTRICAL APPLIANCES INSIDE THE FOOD STORAGE COMPARTMENTS OF THE APPLIANCE, UNLESS THEY ARE OF THE TYPE RECOMMENDED BY THE MANUFACTURER.

● **WARNING:** DO NOT STORE EXPLOSIVE SUBSTANCES SUCH AS AEROSOL CANS WITH A FLAMMABLE PROPELLANT IN THIS APPLIANCE.



ISO 7000-1701 MARK (2004-01)
LABELS MEDIA UNDER PRESSURE..

THIS APPLIANCE IS INTENDED TO BE USED IN HOUSEHOLDS AND SIMILAR PREMISES, SUCH AS:

– KITCHENETTES IN SHOPS, OFFICES AND OTHER WORKPLACES; APPLIANCES USED BY GUESTS IN HOTELS, MOTELS, AND OTHER ACCOMMODATION FACILITIES; APPLIANCES USED IN BED-AND-BREAKFAST FACILITIES; APPLIANCES USED IN CATERING AND OTHER SIMILAR NON-VENDING ENVIRONMENTS.

ONLY SOME REFRIGERATOR MODELS ARE EQUIPPED WITH ICE MAKER. INTEGRATED ICE MAKERS MUST BE INSTALLED BY THE MANUFACTURER OR ITS SERVICING ORGANIZATION ONLY.

- THE FOLLOWING GOES FOR SELECTED MODELS EQUIPPED WITH AN ICE MAKER WITH WATER CONNECTION: **CAUTION:** CAN ONLY BE CONNECTED TO DRINKING WATER SUPPLY.

- **CAUTION:** THE APPLIANCE MUST BE FASTENED IN ACCORDANCE WITH THE MANUAL TO PREVENT DANGER CAUSED BY ITS INSTABILITY.

- **CAUTION:** THE COOLING SYSTEM CONTAINS REFRIGERANT UNDER HIGH PRESSURE. DO NOT MANIPULATE WITH THE SYSTEM. THE SYSTEM MAY BE REPAIRED BY AUTHORIZED PERSONS ONLY.



WARNING :
RISK OF FIRE / FLAMMABLE MATERIALS

CONTAINS COOLING GAS ISOBUTANE

R600a

REFRIGERANT

THE REFRIGERANT ISOBUTENE (R600a) IS CONTAINED WITHIN THE REFRIGERANT CIRCUIT OF THE APPLIANCE, A NATURAL GAS WITH A HIGH LEVEL OF ENVIRONMENTAL COMPATIBILITY, WHICH IS NEVERTHELESS FLAMMABLE. DURING TRANSPORTATION AND INSTALLATION OF THE APPLIANCE, ENSURE THAT NONE OF THE COMPONENTS OF THE REFRIGERANT CIRCUIT BECOMES DAMAGED. THE REFRIGERANT (R600a) IS FLAMMABLE.

● **WARNING** — REFRIGERATORS CONTAIN REFRIGERANT AND GASES IN THE INSULATION. REFRIGERANT AND GASES MUST BE DISPOSED OF PROFESSIONALLY AS THEY MAY CAUSE EYE INJURIES OR IGNITION. ENSURE THAT TUBING OF THE REFRIGERANT CIRCUIT IS NOT DAMAGE PRIOR TO PROPER DISPOSAL.



THE SYMBOL  IS A WARNING AND INDICATES THE REFRIGERANT AND INSULATION BLOWING GAS ARE FLAMMABLE.

WARNING : RISK OF FIRE / FLAMMABLE MATERIALS

IF THE REFRIGERANT CIRCUIT SHOULD BE DAMAGED:

- AVOID OPENING FLAMES AND SOURCES OF IGNITION.
- THOROUGHLY VENTILATE THE ROOM IN WHICH THE APPLIANCE IS SITUATED.

IT IS DANGEROUS TO ALTER THE SPECIFICATIONS OR MODIFY THIS PRODUCT IN ANY WAY.

ANY DAMAGE TO THE CORD MAY CAUSE A SHORT CIRCUIT, FIRE, AND/OR ELECTRIC SHOCK.

● **CAUTION:** THE COOLING SYSTEM CONTAINS REFRIGERANT UNDER HIGH PRESSURE. DO NOT MANIPULATE WITH THE SYSTEM.

THE SYSTEM MAY BE REPAIRED BY AUTHORIZED PERSONS ONLY.

● **CAUTION:** WHEN PLACING THE APPLIANCE IT MUST BE ENSURED THAT THE SUPPLY CORD DOES NOT GET CAUGHT OR DAMAGED.

● **CAUTION:** DO NOT PLACE PORTABLE MULTIPLE SOCKET-OUTLETS OR PORTABLE EXTENSION CABLES TO THE REAR SIDE OF THE APPLIANCE.



ELECTRICAL SAFETY

1. THE POWER CORD MUST NOT BE LENGTHENED.
2. MAKE SURE THAT THE POWER PLUG IS NOT CRUSHED OR DAMAGED.
A CRUSHED OR DAMAGED POWER PLUG MAY OVERHEAT AND CAUSE A FIRE.
3. MAKE SURE THAT YOU CAN ACCESS THE MAIN PLUG OF THE APPLIANCE.
4. DO NOT PULL THE MAIN CABLE.

5. IF THE POWER PLUG SOCKET IS LOOSE, DO NOT INSERT THE POWER PLUG. THERE IS A RISK OF ELECTRIC SHOCK OR FIRE.
6. YOU MUST NOT OPERATE THE APPLIANCE WITHOUT THE INTERIOR LIGHTING LAMP COVER.
7. THE FRIDGE IS ONLY APPLIED WITH POWER SUPPLY OF SINGLE PHASE ALTERNATING CURRENT OF 220-240V~/50Hz. IF FLUCTUATION OF VOLTAGE IN THE DISTRICT OF USER IS SO LARGE THAT THE VOLTAGE EXCEEDS THE ABOVE SCOPE, FOR SAFETY SAKE, BE SURE TO APPLY A.C. AUTOMATIC VOLTAGE REGULATOR OF MORE THAN 350W TO THE FRIDGE.

THE FRIDGE MUST EMPLOY A SPECIAL POWER SOCKET INSTEAD OF COMMON ONE WITH OTHER ELECTRIC APPLIANCES. ITS PLUG MUST MATCH THE SOCKET WITH GROUND WIRE.

DAILY USE

- DO NOT STORE FLAMMABLE GAS OR LIQUIDS IN THE APPLIANCE, THERE IS A RISK OF AN EXPLOSION.
- DO NOT OPERATE ANY ELECTRICAL APPLIANCES IN THE APPLIANCE (E.G. ELECTRIC ICE CREAM MAKERS, MIXERS ETC.).
- WHEN UNPLUGGING ALWAYS PULL THE PLUG FROM THE MAINS SOCKET, DO NOT PULL ON THE CABLE.
- DO NOT PLACE HOT ITEMS NEAR THE PLASTIC COMPONENTS OF THIS APPLIANCE.
- DO NOT PLACE FOOD PRODUCTS DIRECTLY AGAINST THE AIR OUTLET ON THE REAR WALL.
- STORE PRE-PACKED FROZEN FOOD IN ACCORDANCE WITH THE FROZEN FOOD MANUFACTURE'S INSTRUCTIONS.
- THE APPLIANCES MANUFACTURES STORAGE RECOMMENDATIONS SHOULD BE STRICTLY ADHERED TO. REFER TO RELEVANT INSTRUCTIONS FOR STORAGE.

- DO NOT PLACE CARBONATED OR FIZZY DRINKS IN THE FREEZER COMPARTMENT AS IT CREATES PRESSURE ON THE CONTAINER,WHICH MAY CAUSE IT TO EXPLODE,RESULTING IN DAMAGE TO THE APPLIANCE.
- FROZEN FOOD CAN CAUSE FROST BURNS IF CONSUMED STRAIGHT FROM THE FREEZER COMPARTMENT.
- DO NOT PLACE THE APPLIANCE IN DIRECT SUNLIGHT.
- KEEP BURNING CANDLES,LAMPS AND OTHER ITEMS WITH NAKED FLAMES AWAY FROM THE APPLIANCE SO THAT DO NOT SET THE APPLIANCE ON FIRE.
- THE APPLIANCE IS INTENDED FOR KEEPING FOOD STUFF AND/OR BEVERAGES IN NORMAL HOUSEHOLD AS EXPLAINED IN THIS INSTRUCTION BOOKLET. YOU SHOULD TAKE CARE WHEN MOVE IT AS THE APPLIANCE IS HEAVY.
- DO NOT REMOVE OR TOUCH ITEMS FROM THE FREEZER COMPARTMENT IF YOUR HANDS ARE DAMP/WET, AS THIS COULD CAUSE SKIN ABRASIONS OR FROST/FREEZER BURNS.
- NEVER USE THE BASE,DRAWERS,DOORS ETC. TO STAND ON OR AS SUPPORTS.
- FROZEN FOOD MUST NOT BE REFROZEN ONCE IT HAS BEEN THAWED OUT.
- DO NOT CONSUME ICE POPSICLES OR ICE CUBES STRAIGHT FROM THE FREEZER AS THIS CAN CAUSE FREEZER BURN TO THE MOUTH AND LIPS.
- TO AVOID ITEMS FALLING AND CAUSING INJURY OR DAMAGE TO THE APPLIANCE,DO NOT OVERLOAD THE DOOR RACKS OR PUT TOO MUCH FOOD IN THE CRISPER DRAWERS.

INSTALLATION

IMPORTANT!

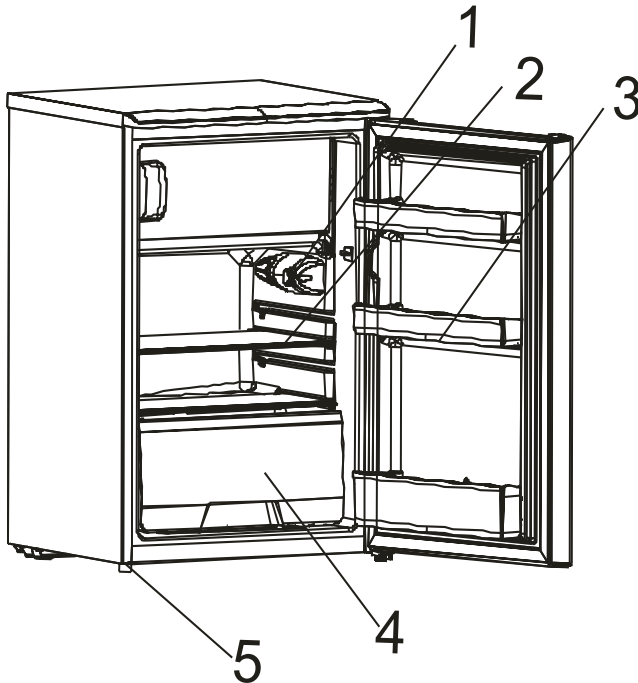
- FOR ELECTRICAL CONNECTION CAREFULLY, FOLLOW THE INSTRUCTIONS GIVEN IN THIS MANUAL. UNPACK THE APPLIANCE AND CHECK IF THERE ARE DAMAGES ON IT.
- DO NOT CONNECT THE APPLIANCE IF IT IS DAMAGED. REPORT POSSIBLE DAMAGES IMMEDIATELY TO THE PLACE YOU BOUGHT IT. IN THIS CASE RETAIN PACKING.
- IT IS ADVISABLE TO WAIT AT LEAST FOUR HOURS BEFORE CONNECTING THE APPLIANCE TO ALLOW THE OIL TO FLOW BACK IN THE COMPRESSOR.
- ADEQUATE AIR CIRCULATION SHOULD BE AROUND THE APPLIANCE, LACKING THIS LEADS TO OVERHEATING. TO ACHIEVE SUFFICIENT VENTILATION, FOLLOW THE INSTRUCTIONS RELEVANT TO INSTALLATION.
- WHEREVER POSSIBLE THE BACK OF THE PRODUCT SHOULD NOT BE TOO CLOSE TO A WALL TO AVOID TOUCHING OR CATCHING WARM PARTS (COMPRESSOR, CONDENSER) TO PREVENT THE RISK OF A FIRE, FOLLOW THE INSTRUCTIONS RELEVANT TO INSTALLATION.
- THE APPLIANCE MUST NOT BE LOCATE CLOSE TO RADIATORS OR COOKERS.
- MAKE SURE THAT THE MAINS PLUG IS ACCESSIBLE AFTER THE INSTALLATION OF THE APPLIANCE.
- PLACE ALL PACKAGING MATERIALS OUT OF THE REACH OF CHILDREN, THERE IS A RISK OF SUFFOCATION.

- THE INTERIOR OF YOUR REFRIGERATOR / FREEZER MAY SMELL BEFORE FIRST USE. THIS IS NORMAL. THE ODOR DISAPPEARS AS SOON AS THE APPLIANCE STARTS TO COOL / FREEZE.
- BEFORE CONNECTING THE REFRIGERATOR I FREEZER, MAKE SURE THAT THE MAINS VOLTAGE CORRESPONDS TO THE REQUIREMENTS FOR CONNECTING THE REFRIGERATOR / FREEZER. IF IN DOUBT, CONSULT A QUALIFIED ELECTRICIAN.
- THE APPLIANCE MUST BE CONNECTED TO A SOCKET WITH THE APPROPRIATE VOLTAGE AND A CORRECTLY INSTALLED FUSE SOCKET.
- THE REFRIGERATOR I FREEZER MUST NOT BE PLACED OUTDOORS OR EXPOSED TO RAIN.
- THE REFRIGERATOR I FREEZER MUST BE LOCATED AT LEAST 50CM FROM HEATERS, ELECTRIC OVENS, GAS OVENS, ETC.
- IF THE REFRIGERATOR WITH FREEZER IS LOCATED NEXT TO THE FREEZER, THERE MUST BE A MIN. 2CM SPACING.
- DO NOT PLACE HEAVY OBJECTS ON THE REFRIGERATOR / FREEZER, DO NOT COVER IT.
- ABOVE THE FRIDGE / FREEZER THERE MUST BE A MIN. 150MM FREE SPACE.
- THIS APPLIANCE IS MADE FOR DOMESTIC USE AND IS ONLY SUITABLE FOR COOLING / FREEZING FOOD. NOT SUITABLE FOR COMMERCIAL USE AND / OR STORAGE OF SUBSTANCES OTHER THAN FOOD. THE MANUFACTURER IS NOT LIABLE FOR ANY LOSSES CAUSED BY IMPROPER USE OF THE APPLIANCE.

PART 2: DESCRIPTION OF THE APPLIANCE

This type of refrigerator is widely used in places such as hotels ,offices, student dormitories and houses. It is mostly suitable for preserving foods such as fruits and beverage. It enjoys the advantages of small size, lightweight, low electric consumption and easy use.

Main configuration



- 1 Thermostat
- 2 Glass shelf
- 3 Plastic pallet
- 4 Crisper
- 5 Leveler leg

Notes:

Cooling section (fridge) - The most efficient use of energy is ensured by the configuration with drawers in the lower part of the appliance and shelves evenly distributed. The direction of door opening does not affect energy consumption.

Freezer - The most efficient use of energy is ensured in a configuration where the drawers are properly inserted.

PART 3: UNPACKING YOUR REFRIGERATOR

WARNING!

Use two or more people to move refrigerator.
Failure to do so can result in back or other injury.

- Remove tape and any labels from your refrigerator before using (except the rating label).
- To remove any remaining tape or glue, rub the area briskly with your thumb.
- Tape or glue residue can also be easily removed by rubbing a small amount of liquid dish soap over the adhesive with your fingers. Wipe with warm water and dry.
- Do not use sharp instruments, rubbing alcohol, flammable fluids, or abrasive cleaners to remove tape or glue. These products can damage the surface of your refrigerator.
- When moving the refrigerator, do not tilt the refrigerator beyond 45° from upright position.

PART 4: CLEANING BEFORE USE

After you remove all of the packaging materials, (especially the foam between outside condenser and cabinet should be removed) clean the inside of your refrigerator before using it.

PART 5: SPACE REQUIREMENTS

WARNING!

Keep flammable materials and vapors, such as gasoline, away from refrigerator.
Failure to do so can result in death, explosion, fire or burns.

- To ensure proper ventilation for your refrigerator, allow for 200 mm space on each side between walls, 200 mm space between back of your refrigerator and the wall, and 300 mm space between counter top and the roof or ceiling.
- If you are installing your refrigerator next to a fixed wall, leave sufficient space on the hinge side to allow for the door to swing open.
- Never install your refrigerator near heat source and direct sun shines.

PART 6: ELECTRICAL REQUIREMENT

WARNING!

DO NOT REMOVE GROUND PRONG.
DO NOT USE AN ADAPTOR.
DO NOT USE EXTENSION CORD.

Failure to follow these instructions can result in death, fire or electrical shock.

Before you move your refrigerator into its final location, it is important to make sure you have the proper electrical connection.

Recommended Earthing Method

AC220 - 240 Volt /50 Hz only 10 ampere fused and properly earthed electrical supply is required. It is recommended that a separate circuit serving only this appliance be provided. Use a receptacle which cannot be turned off with a switch or pull chain. Do not use an extension cord.

NOTE!

Before performing any type of installation, disconnect the refrigerator from the electrical source. When you are finished, connect the refrigerator to the electrical source and reset the control to the desired setting.

PART 7: LEVELING

If the refrigerator is not leveled during installation. The doors may not close or seal properly, causing cooling, frost, or moisture problems. It is very important of the refrigerator to be level in order to function properly. To level your refrigerator you may either turn the level leg clockwise to raise that side to the refrigerator or turn counter – clockwise to lower that side.

NOTE!

Having someone push against the top of the refrigerator take some weight off the leveling leg. This makes it easier to adjust the leveling leg.

PART 8: USE OF THE APPLIANCE

To obtain the best possible results from your refrigerator, it is important that you operate it properly.

Acronym for ambient temperature range, ie SN, N, ST or T, in determining climate classes:

1. the extended temperate zone (SN) has a temperature range of 10 °C to 32 °C;
2. the temperate zone (N) has a temperature range of 16 °C to 32 °C;
3. the subtropical zone (ST) has a temperature range from 18 °C to 38 °C
4. The tropical zone (T) has a temperature range of 18 °C to 43 °C.

Temperature Control (optional)

Controls for the refrigerator and freezer are located at the top shelf of the refrigerating compartment. When you first install your refrigerator, set the Thermostat knob at 3. Give your refrigerator time to cool down completely before adding food. It is best to wait 24 hours before adding food.

The thermostat knob controls the temperature. The higher number setting, the longer the compressor will run to keep the temperature colder.

When the thermostat control knob is set to OFF, the refrigerator is not running,

Controls for the refrigerator and freezer are located at the top shelf of the refrigerating compartment. When you first install your refrigerator, set the Thermostat knob at 4. Give your refrigerator time to cool down completely before adding food. It is best to wait 24 hours before adding food.

The thermostat knob controls the temperature. The temperature decreases with position "cool" being the warmest and position "cooler" being the coldest.

When the thermostat control knob is set to OFF, the refrigerator is not running,

Fresh Food Storage

Wrap or store food in the refrigerator in airtight and moisture – proof material. This prevents food odor and taste transfer throughout refrigerator.

- **Fruit**
Wash, let dry and store in refrigerator in plastic bags or crisper.
- **Leafy vegetables**
Remove wrapping and trim or tear off bruised and discolored areas, wash in cold water and drain. Place in plastic bag or plastic container and store in crisper.
- **Fish**
Use fresh fish the same day as purchased.
- **Meat**
Store most meat in original wrapping as long as it is airtight and moisture – proof. Re – wrap if necessary.
- **Leftovers**
Cover leftovers with plastic wrap or aluminum foil.
Plastic containers with tight lid can also be used.

Frozen Food Storage

The freezer compartment is designed for storing frozen food and for freezing food at home.

Successful freezing depends on the correct packaging. When you close and seal the package you must not allow air or moisture in or out. If you do, you could have food odor and taste transfer throughout the refrigerator, and also dry out frozen food.

NOTE!

Never put bottled food or drinks in the freezer compartment.

For best performance, leave enough space in the freezer and refrigerator compartment for air to circulate around the packages. Also let enough room at the front so the door can close tightly.

Defrosting

- **Refrigerator compartment**

Defrosting process is automatic by thermostat knob Melted frost flow into drip tray and automatic evaporating.

- **Freezer compartment**

Defrosting for the freezer compartment is by manual process.

- Turn the thermostat knob to set at OFF position and leave open the freezer door.
- Remove all foods, ice cube tray and shelf or transfer to refrigerating compartment.
- Clean and wipe out the melted frost with a cloth.
- After defrosting, turn thermostat knob to origin position.

NOTE!

To avoid damaging the freezing compartment wall, do not use any sharp objects to remove the frost or separate the frozen food.

Cleaning

1. Cleaning the Interior and the Exterior of the Unit

- Dusts behind the refrigerator and on the ground shall be timely cleaned to improve the cooling effect and energy saving.
- Check the door gasket regularly to make sure there are no debris. Clean the door gasket with a soft cloth dampened with soapy water or diluted detergent.
- The interior of the refrigerator should be cleaned regularly to avoid odor.
- Please turn off the power before cleaning interior, remove all foods, drinks ,shelves, drawers, etc.
- Use a soft cloth or sponge to clean the inside of the refrigerator, with two tablespoons of baking soda and a quart of warm water. Then rinse with water and wipe clean. After cleaning, open the door and let it dry naturally before turning on the power.
- For areas that are difficult to clean in the refrigerator (such as narrow sandwiches, gaps or corners), it is recommended to wipe them regularly with a soft rag, soft brush, etc. and when necessary, combined with some auxiliary tools (such as thin sticks) to ensure no contaminants or bacteria accumulation in these areas.
- Do not use soap, detergent, scrub powder, spray cleaner, etc., as these may cause odors in the interior of the refrigerator or contaminated food.
- Clean the bottle frame, shelves and drawers with a soft cloth dampened with soapy water or diluted detergent. Dry with a soft cloth or dry naturally.
- Wipe the outer surface of the refrigerator with a soft cloth dampened with soapy water, detergent, etc., and then wipe dry.
- Do not use hard brushes, clean steel balls, wire brushes, abrasives(such as toothpastes), organic solvents (such as alcohol, acetone, banana oil, etc.), boiling water, acid or alkaline items, which may damage the fridge surface and interior. Boiling water and organic solvents such as benzene may deform or damage plastic parts.
- Do not rinse directly with water or other liquids during cleaning to avoid short circuits or affect electrical insulation after immersion.

2. Cleaning Tips

Condensation may appear on the outside of the unit. This may be due to a change in room temperature. Wipe of any moisture residue. If the problem continues, please contact a qualified technician for assistance.

PART 9: PROLONGED OFF PERIODS

If the refrigerator is not in use for a long period of time, proceed as follows:

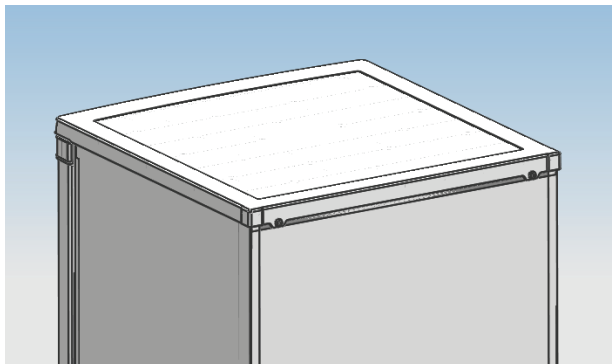
Disconnect the refrigerator from the main supply by removing the plug from the wall socket.

Clean and dry the inside as instructed under the heading of cleaning the refrigerator.

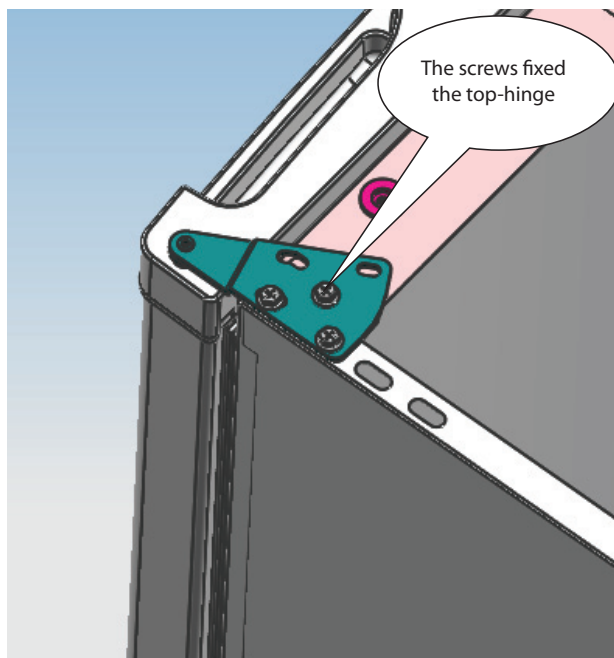
Leave the door open to prevent any unpleasant smells from building up while the refrigerator is not in use.

PART 10: REFRIGERATOR DOOR INSTALL GUIDELINES ABOUT SWAPPING LEFT&RIGHT (OPTIONAL)

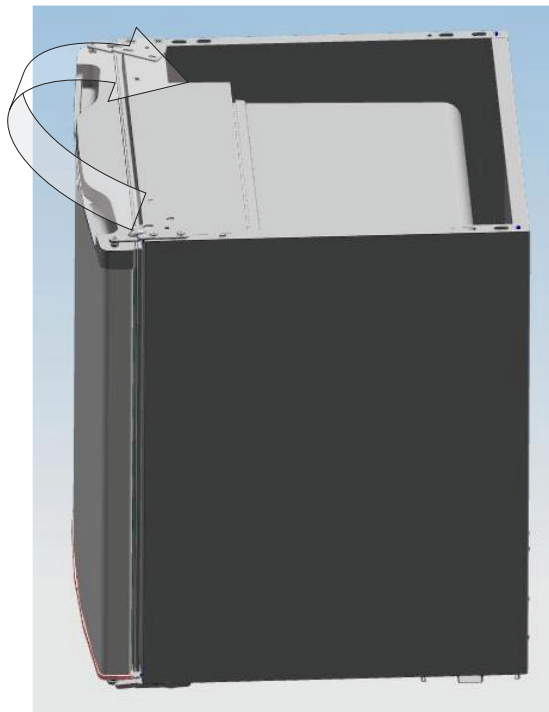
- 1 Disassemble the screws behind the fixed roof with cross-slot screwdriver and remove the cover from the refrigerator.



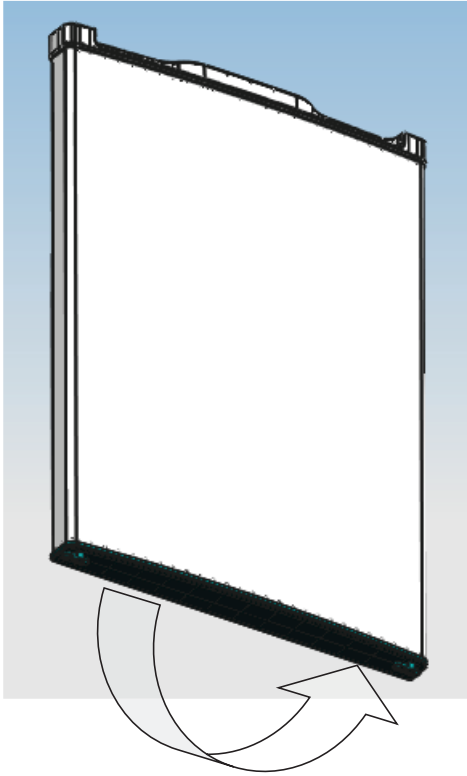
- 2 Remove the screws fixed the top-hinge with cross-slot screwdriver.



3 Replace the top-hinge and the door limit block and the door bearing bush to the other side
A replace the top-hinge.



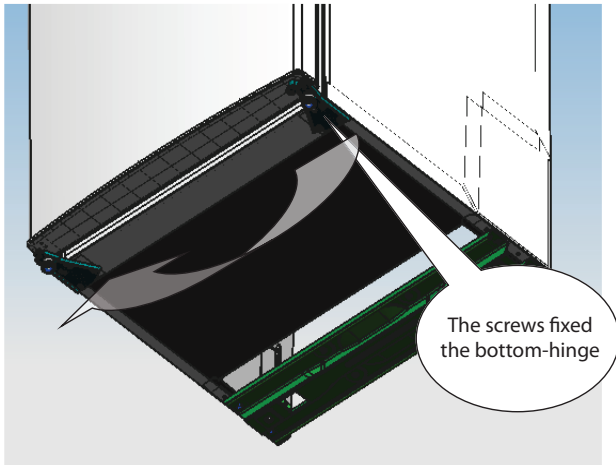
B replace the door bearing bush and the limit block.



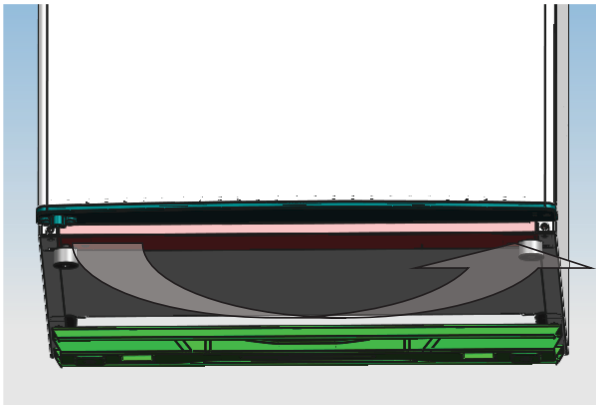
4 Disassemble the screws fixed the bottom-hinge with cross-slot screwdriver and replace the hinge to the other side then fix it with screws.

NOTE!

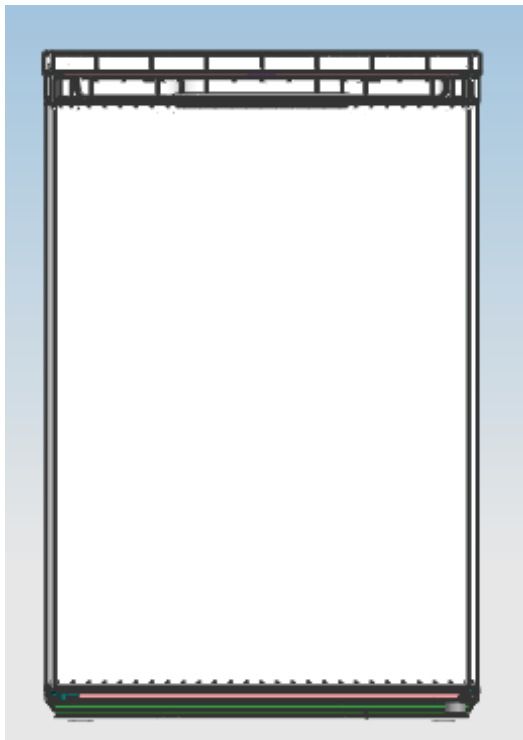
The refrigerator incline angle less 45°.



5 Replace the leveler to the other side and adjust it to make sure the cabinet level



6 Set the door right position,fix the top-hinge and then the roof cover.



Ensure the Appliance is unplugged and empty.
Adjust the two leveling feet to their highest position.
We recommend you have someone to assist you.

NOTE!

To take the door off it is necessary to tilt the Appliance backward.
You should rest the Appliance on something solid e.g.a chair just below the top panel.

Do not lay the Appliance completely flat as this may damage the coolant system.

Energy Saving Tips

- The appliance should be located in the coolest area of the room, away from heat producing appliances or heating ducts, and out of the direct sunlight.
- Let hot foods cool to room temperature before placing in the appliance. Overloading the appliance forces the compressor to run longer. Foods that freeze too slowly may lose quality, or spoil.
- Be sure to wrap foods properly, and wipe containers dry before placing them in the appliance. This cuts down on frost build-up inside the appliance.
- Appliance storage bin should not be lined with aluminum foil, wax paper, or paper toweling. Liners interfere with cold air circulation, making the appliance less efficient.
- Organize and label food to reduce door openings and extended searches. Remove as many items as needed at one time, and close the door as soon as possible.

Daily use

To avoid contamination of food, please respect the following instructions

- Opening the door for long periods can cause a significant increase of the temperature in the compartments of the appliance.
- Clean regularly surfaces that can come in contact with food and accessible drainage systems.
- Clean water tanks if they have not been used for 48h; flush the water system connected to a water supply if water has not been drawn for 5 days.
- Store raw meat and fish in suitable containers in the refrigerator, so that it is not in contact with or drip onto other food.
- Two-star frozen-food compartments (if they are presented in the appliance) are suitable for storing pre-frozen food, storing or making ice-cream and making ice cubes.
- One-, two- and three -star compartments (if they are presented in the appliance) are not suitable for the freezing of fresh food.
- If the appliance is left empty for long periods, switch off, defrost, clean, dry and leave the door open to prevent mould developing within the appliance.

Position different food in different compartments according to below table

Refrigerator compartments	Type of food
Door of balconies of fridge compartments	<ul style="list-style-type: none">• Food with natural preservatives, such as jams, juices, drinks, condiments.• Do not store perishable foods.
Crisper drawer (salad drawer)	<ul style="list-style-type: none">• Fruits, herbs and vegetables should be placed separately in crisper bin.• Do not store bananas, onions, potatoes, garlic in the refrigerator.
Fridge shelf - bottom Chiller (box/drawer)	<ul style="list-style-type: none">• Raw meat, poultry, fish (for short-term storage)
Fridge shelf - middle	<ul style="list-style-type: none">• Dairy products, eggs.
Fridge shelf - top	<ul style="list-style-type: none">• Foods that do not need cooking, such as ready-to-eat foods, deli meats, leftovers.

PART 11: TROUBLE SHOOTING

If you experience a problem with your appliance or are concerned that the appliance is not functioning correctly, you can carry out some easy checks before calling for service, please see below.



Caution! Don't try to repair the appliance yourself. If the problem persists after you have made the checks mentioned below, contact a qualified electrician, authorized service engineer or the shop where you purchased the product.

Important! There are some sounds during normal use (compressor, refrigerant circulation).

Problem	Possible cause	Solution
Appliance does not work	Temperature regulation knob is set at number "0".	Set the knob at other number to switch on the appliance.
	Mains plug is not plugged in or is loose	Insert mains plug.
	Fuse has blown or is defective	Check fuse, replace if necessary.
	Socket is defective	Mains malfunctions are to be corrected by an electrician.
The food is too warm.	Temperature is not properly adjusted.	Please look in the initial Temperature setting section.
	Door was open for an extended period.	Open the door only as long as necessary.
	A large quantity of warm food was placed in the appliance within the last 24 hours.	Turn the temperature regulation to a colder setting temporarily.
	The appliance is near a heat source.	Please look in the installation location section.
Appliance cools too much	Temperature is set too cold.	Turn the temperature regulation knob to a warmer setting temporarily.
Unusual noises	Appliance is not level.	Re-adjust the feet.
	The appliance is touching the wall or other objects.	Move the appliance slightly.
	A component, e.g. a pipe, on the rear of the appliance is touching another part of the appliance or the wall.	If necessary, carefully bend the component out of the way.
Broken light.	-	Contact a service center for repairs or replacements.

If the malfunction shows again, contact the Service Center.

These data are necessary to help you quickly and correctly. Write the necessary data here, refer to the rating plate.

Storage instructions

To avoid contamination of food, please respect the following instructions

- Opening the door for long periods can cause a significant increase of the temperature in the compartments of the appliance.
- Clean regularly surfaces that can come in contact with food and accessible drainage systems.
- Store raw meat and fish in suitable containers in the refrigerator, so that it is not in contact with or drip onto other food.
- Two-star frozen-food compartments are suitable for storing pre-frozen food, storing or making icecream and making ice cubes.
- One-, two- and three-star compartments are not suitable for the freezing of fresh food.

Order	Compartments TYPE	Target storage temp.[°C]	Appropriate food
1	Fridge	+2~+8	Eggs, cooked food, packaged food, fruits and vegetables, dairy products, cakes, drinks and other foods which are not suitable for freezing.
2	(***)*-Freezer	≤-18	Seafood (fish,shrimp,shellfish),freshwater aquatic products and meat products (recommended for 3 months , he longer the storage time,the worse the taste and nutrition),suitable for frozen fresh food.
3	***-Freezer	≤-18	Seafood (fish, shrimp, shellfish),freshwater aquatic products and meat products (recommended for 3 months, the longer the storage time,the worse the taste and nutrition), are not suitable for frozen fresh food
4	** -Freezer	≤-12	Seafood (fish, shrimp, shellfish), freshwater aquatic products and meat products (recommended for 2 months,the longer the storage time,the worse the taste and nutrition), are not suitable for frozen fresh food.
5	*-Freezer	≤-6	Seafood (fish, shrimp, shellfish), freshwater aquatic products and meat products (recommended for 1 month,the longer the storage time,the worse the taste and nutrition), are not suitable for frozen fresh food.
6	0-star	-6~0	Fresh pork, beef, fish, chicken, some packaged processed foods, etc. (Recommended to eat within the same day, preferably no later than 3 days). Partially encapsulated processed foods (non-freezable foods.)

7	Chill	-2~+3	Fresh/frozen pork, beef, chicken, freshwater aquatic products, etc. (7 days below 0 °C and above 0 °C is recommended for consumption within that day, preferably no more than 2 days). Seafood (less than 0 for 15 days, it is not recommended to store above 0 °C).
8	Fresh Food	0~+4	Fresh pork,beef,fish,chicken,cooked food,etc. (Recommended to eat within the same day,preferably no more than 3 days.)
9	Wine	+5~+20	Red wine,white wine,sparkling wine etc.

Note: Please store different foods according to the compartments or target storage temperature of your purchased products.

- If the refrigerating appliance is left empty for long periods,switch off,defrost, clean,dry, and leave the door open to prevent mould developing within the appliance.

Placement of food in the appliance

- Potatoes, onions and garlic should not be stored in the refrigerator / freezer.
- Under normal circumstances, the temperature setting in the refrigerator is sufficient to + 4 °C.
- The temperature of the refrigerator should be between 0 °C and 8 °C. Fresh foods stored below 0 °C freeze, rot. The bacterial load increases when stored above 8 °C and food spoils.
- Do not put warm or hot food in the fridge / freezer, wait for it to cool to room temperature. Hot food raise the temperature inside the refrigerator / freezer and can cause unnecessary spoilage and possible food poisoning.
- Meat, fish, etc. should be stored in a designated refrigerated compartment - if available.
- Fruits and vegetables should be stored in a designated refrigerated compartment - if available.
- To prevent contamination of meat products with bacteria, do not store fruits and vegetables in a common compartment. The same is true in reverse - contamination of fruits and vegetables with bacteria from meat products.

PART 12: PRODUCT INFORMATION SHEET

Product Information Sheet

PHILCO 

COMMISSION DELEGATED REGULATION (EU) 2019/2016

Supplier's name or trademark: PHILCO

Supplier's address: PHILCO, FAST ČR, a.s. U Sanitasu 1621 Říčany 251 01, Czech Republic

Model identifier: PTB 113 EW

Type of refrigerating appliance: One-door refrigerator with freezer

Low-noise appliance:	No	Design type:	freestanding
----------------------	----	--------------	--------------

Wine storage appliance:	No	Other refrigerating appliance:	Yes
-------------------------	----	--------------------------------	-----

General product parameters:

Parameter	Value	Parameter	Value
Overall dimensions (millimetre)	Height	Total volume (dm ³ or l)	113
	Width		
	Depth		
Energy efficiency Index (EEL)	100	Energy efficiency class*	E
Airborne acoustical noise emissions (dB(A) re 1 pW)	39	Airborne acoustical noise emission class	C
Annual energy consumption (kWh/a)	142	Climate class:	N/ST
Minimum ambient temperature (°C), for which the refrigerating appliance is suitable	16	Maximum ambient temperature (°C), for which the refrigerating appliance is suitable	38
Winter setting	No		

Compartment Parameters:

Compartment type	Compartment parameters and values				
	Compartment volume (dm ³ or l)	Recommended temperature setting for optimised food storage (°C) These settings shall not contradict the storage conditions set out in Annex IV, Table 3	Freezing capacity (kg/24h)	Defrosting type (auto-defrost=A, manual defrost=M)	
Pantry	No	-	-	-	-
Wine storage	No	-	-	-	-
Cellar	No	-	-	-	-
Fresh food	Yes	97	4	-	M
Chill	No	-	-	-	-

0-star or ice-making	No	-	-	-	-
1-star	No	-	-	-	-
2-star	No	-	-	-	-
3-star	No	-	-	-	-
4-star	Yes	16	-18	2	M
2-star section	No	-	-	-	-
Variable temperature compartment	-	-	-	-	-
For 4-star compartments					
Fast freeze facility			No		
Light source parameters:					
Type of light source			-		
Energy efficiency class			-		
Minimum duration of the guarantee offered by the manufacturer: 24 months					
Additional information:					
Weblink to the manufacturer's website, where the information in point4(a) Annex of Commission Regulation (EU) 2019/2019 is found: www.philco.cz					

* A (highest efficiency) to G (lowest efficiency)

TECHNICAL INFORMATION

Technical information can be found on the type plate on the inside of the appliance and on the energy label. The QR code, on the supplied energy label, contains a link to register the appliance in the EU Eprel database. Keep the energy label, the instructions for use, together with other documents supplied with the device.

TESTING INFORMATION

The delivered device is in accordance with EcoDesign and EN62552-1:2020, EN 62552-2:2020, EN62552-3:2020, EN 60704-1:2020 + A11:2012, EN60704-2-14:2013+A11:2015+A1:2019. Air access requirements for proper operation of the device, the minimum distance from the wall and the dimensions of the device are part of this manual. If you have any further questions, please contact the manufacturer.

CUSTOMER CARE AND SERVICE

Always use original spare parts.

Model name and serial number can be found on the rating plate. Position of rating plate can be changed without notice.

The original spare parts for some specific components are available for a minimum of 7 or 10 years, based on the type of component, from the placing on the market of the last unit of the model.

When contacting our authorized service, have the model designation, serial number and defect description available.

To download documents, visit www.philco.cz.

To report a defect and obtain additional service information, visit <https://philco.cz/podpora-a-servis>.

Subject to change without notice.

INSTRUCTIONS AND INFORMATION REGARDING THE DISPOSAL OF USED PACKAGING MATERIALS

Dispose of packaging material at a public waste disposal site.

DISPOSAL OF USED ELECTRICAL AND ELECTRONIC APPLIANCES



The meaning of the symbol on the product, its accessory or packaging indicates that this product shall not be treated as household waste. Please, dispose of this product at your applicable collection point for the recycling of electrical & electronic equipment waste. Alternatively in some states of the European Union or other European states you may return your products to your local retailer when buying an equivalent new product. The correct disposal of this product will help save valuable natural resources and help in preventing the potential negative impact on the environment and human health, which could be caused as a result of improper liquidation of waste. Please ask your local authorities or the nearest waste collection centre for further details. The improper disposal of this type of waste may fall subject to national regulations for fines.

For business entities in the European Union

If you wish to dispose of an electrical or electronic device, request the necessary information from your seller or supplier.

Disposal in other countries outside the European Union

If you wish to dispose of this product, request the necessary information about the correct disposal method from local government departments or from your seller.



This product meets all the basic EU regulation requirements that relate to it.

Changes to the text, design and technical specifications may occur without prior notice and we reserve the right to make these changes.

Original of this user manual is Czech.



WARNING! DURING USING, SERVICE AND DISPOSAL THE APPLIANCE, PLEASE PAY ATTENTION TO SYMBOL SIMILAR AS LEFT SIDE, WHICH IS LOCATED ON REAR OF APPLIANCE (REAR PANEL OR COMPRESSOR) AND WITH YELLOW OR ORANGE COLOR.



IT'S RISK OF RE WARNING SYMBOL. THERE ARE FLAMMABLE MATERIALS IN REFRIGERANT PIPES AND COMPRESSOR. PLEASE BE FAR AWAY RE SOURCE DURING USING, SERVICE AND DISPOSAL.

CHLADNIČKA

NÁVOD K OBSLUZE

PHILCO



Famous for Quality the World Over

PTB 1132

**Vážený zákazníku,
Děkujeme, že jste si koupil výrobek značky PHILCO. Aby mohl váš spotřebič sloužit dobře, přečtěte si
všechny pokyny uvedené v tomto návodu k obsluze.**

OBSAH

ČÁST 1: BEZPEČNOSTNÍ POKYNY	2
ČÁST 2: POPIS SPOTŘEBIČE	11
HLAVNÍ ČÁSTI SPOTŘEBIČE	11
ČÁST 3: VYBALENÍ CHLADNIČKY	12
ČÁST 4: ČIŠTĚNÍ PŘED PRVNÍM POUŽITÍM	12
ČÁST 5: PROSTOROVÉ POŽADAVKY	12
ČÁST 6: PŘIPOJENÍ K ELEKTRICKÉ SÍTI	13
DOPORUČENÝ ZPŮSOB UZEMNĚNÍ	13
ČÁST 7: VYROVNÁNÍ	13
ČÁST 8: POUŽITÍ SPOTŘEBIČE	14
NASTAVENÍ TEPLoty (VOLITELNÉ)	14
SKLADOVÁNÍ ČERSTVÝCH POTRAVIN	14
SKLADOVÁNÍ MRAZENÝCH POTRAVIN	15
ODMRAZOVÁNÍ	15
ČIŠTĚNÍ	16
ČÁST 9: VYPNUTÍ SPOTŘEBIČE NA DELŠÍ OBDOBÍ	16
ČÁST 10: ZMĚNA SMĚRU OTEVÍRÁNÍ DVÍŘEK (VOLITELNÉ)	17
TIPY PRO ÚSPORU ENERGIE	22
KAŽDODENNÍ POUŽÍVÁNÍ	22
ČÁST 11: ODSTRANĚNÍ MOŽNÝCH PROBLÉMŮ	23
POKYNY KE SKLADOVÁNÍ	24
ROZMÍSTĚNÍ POTRAVIN VE SPOTŘEBIČI	25
ČÁST 12: INFORMAČNÍ LIST	26
TECHNICKÉ INFORMACE	28
INFORMACE O TESTOVÁNÍ	28
PÉČE O ZÁKAZNÍKA A SERVIS	28
POKYNY A INFORMACE TÝKAJÍCÍ SE LIKVIDACE POUŽITÝCH OBALOVÝCH MATERIÁLŮ	29
LIKVIDACE POUŽITÝCH ELEKTRICKÝCH A ELEKTRONICKÝCH SPOTŘEBIČŮ	29



Tento spotřebič byl testován v souladu se směrnicemi platnými v Evropské unii.

Tento spotřebič vyhovuje příslušným bezpečnostním předpisům pro elektrické spotřebiče platné v Evropské unii.

ČÁST 1: BEZPEČNOSTNÍ POKYNY



Z DŮVODU VAŠÍ BEZPEČNOSTI A SPRÁVNÉHO POUŽITÍ, JEŠTĚ PŘED INSTALACÍ A PRVNÍM POUŽITÍM SPOTŘEBIČE, SI POZORNĚ PŘEČTĚTE TUTO PŘÍRUČKU, VČETNĚ TĚCHTO TIPŮ A VAROVÁNÍ. ABYSTE ZABRÁNILI NEŽÁDOUCÍM CHYBÁM A NEHODÁM, JE DŮLEŽITÉ ZAJISTIT, ABY SE VŠECHNY OSOBY POUŽÍVAJÍCÍ TENTO SPOTŘEBIČ DŮKLADNĚ SEZNÁMILY S JEHO OBSLUHOU A BEZPEČNOSTNÍMI FUNKCEMI.

USCHOVEJTE SI TYTO POKYNY A V PŘÍPADĚ PŘEDÁNÍ SPOTŘEBIČE SE UJISTĚTE, ZDA ZŮSTAL TENTO NÁVOD VE SPOTŘEBIČI TAK, ABY BYL POUŽÍVÁN V PRŮBĚHU CELÉ ŽIVOTNOSTI A SPRÁVNĚ INFORMOVAL O SPRÁVNÉM POUŽÍVÁNÍ SPOTŘEBIČE A BEZPEČNOSTI. Z BEZPEČNOSTNÍCH DŮVODŮ A PRO OCHRANU MAJETKU DODRŽUJTE POKYNY V TOMTO NÁVODU, PROTOŽE VÝROBCE NENESE ŽÁDNOU ZODPOVĚDNOST ZA POŠKOZENÍ ZPŮSOBENÁ NEDODRŽENÍM TĚCHTO POKYNUŮ.

- TENTO SPOTŘEBIČ MOHOU POUŽÍVAT DĚTI VE VĚKU 8 LET A STARŠÍ OSOBY SE SNÍŽENÝMI FYZICKÝMI, SMYSLOVÝMI NEBO MENTÁLNÍMI SCHOPNOSTMI NEBO S NEDOSTATKEM ZKUŠENOSTNÍ A ZNALOSTÍ, POKUD JSOU POD DOZOREM NEBO BYLY POUČENY O POUŽÍVÁNÍ SPOTŘEBIČE BEZPEČNÝM ZPŮSOBEM A ROZUMÍ PŘÍPADNÝM NEBEZPEČÍM.
- DĚTI VE VĚKU 3 AŽ 8 LET MOHOU VKLÁDAT A VYJÍMAT POTRAVINY Z CHLADÍCÍCH SPOTŘEBIČŮ.
- DĚTI SI SE SPOTŘEBIČEM NESMĚJÍ HRÁT.
- ČIŠTĚNÍ A ÚDRŽBU NESMĚJÍ PROVÁDĚT DĚTI BEZ DOZORU.

● POKUD JE PŘÍVODNÍ KABEL POŠKOZEN, JEHO VÝMĚNU SVĚŘTE ODBORNÉMU SERVISNÍMU STŘEDISKU, ABY SE ZABRÁNILO VZNIKU NEBEZPEČNÉ SITUACE . SPOTŘEBIČ S POŠKOZENÝM PŘÍVODNÍM KABLEM JE ZAKÁZANO POUŽÍVAT.

● **VÝSTRAHA:** POKUD VÁŠ MODEL MÁ VÝROBNÍK LEDU BEZ PŘIPOJENÍ PŘÍVODU VODY, PLŇTE POUZE PITNOU VODOU.

● **VÝSTRAHA:** VĚTRACÍ OTVORY V KRYTU SPOTŘEBIČE NEBO JEHO KONSTRUKCI JE NUTNÉ UDRŽOVAT VOLNÁ A BEZ PŘEKÁŽEK.

● **VÝSTRAHA:** K URYCHLENÍ ODMRAZOVACÍHO PROCESU NEPOUŽÍVEJTE MECHANICKÁ ZAŘÍZENÍ NEBO JINÉ PROSTŘEDKY NEŽ TY, KTERÉ JSOU DOPORUČENY VÝROBCEM.

● **VÝSTRAHA:** NEPOŠKOZUJTE CHLADICÍ OBVOD.

● **VÝSTRAHA:** NEPOUŽÍVEJTE ELEKTRICKÉ SPOTŘEBIČE V PROSTORU PRO UCHOVÁVÁNÍ POTRAVIN SPOTŘEBIČE, POKUD SE NEJEDNÁ O TYPY DOPORUČENÉ VÝROBCEM.

● **VÝSTRAHA:** V TOMTO SPOTŘEBIČI NESKLADUJTE VÝBUŠNÉ LÁTKY JAKO JSOU AEROSOLOVÉ PLECHOVKY, SPREJE S HOŘLAVOU HNACÍ LÁTKOU.



ZNAČKA ISO 7000-1701 (2004-01)
OZNAČUJE MÉDIUM POD TLAKEM.

TENTO SPOTŘEBIČ JE URČEN PRO POUŽITÍ V DOMÁCNOSTI A PODOBNÝCH PROSTORECH, JAKO JSOU:

- KUCHYŇSKÉ KOUTY V OBCHODECH, KANCELÁŘÍCH A OSTATNÍCH PRACOVÍŠTÍCH;
- SPOTŘEBIČE POUŽÍVANÉ HOSTY V HOTELÍCH, MOTELECH A JINÝCH OBYTNÝCH PROSTŘEDÍCH;
- SPOTŘEBIČE POUŽÍVANÉ V PODNICÍCH ZAJIŠŤUJÍCÍCH NOCLEH SE SNÍDANÍ;
- SPOTŘEBIČE POUŽÍVANÉ VE STRAVOVACÍCH A PODOBNÝCH NEPRODEJNÍCH PROSTŘEDÍCH.

POUZE NĚKTERÉ VYBRANÉ MODELY CHLADNIČEK OBSAHUJÍ VÝROBNÍK LEDU. ZABUDOVANÉ VÝROBNÍKY LEDU MUSÍ BÝT INSTALOVÁNY POUZE VÝROBCEM NEBO JEHO SERVISNÍ ORGANIZACÍ.

- PRO VYBRANÉ MODELY S VÝROBNÍKEM LEDU S PŘIPOJENÍM NA VODU PLATÍ: **VÝSTRAHA:** PŘIPOJUJE SE POUZE NA PŘÍVOD PITNÉ VODY.
- **VÝSTRAHA:** SPOTŘEBIČ MUSÍ BÝT PŘIPEVNĚN PODLE NÁVODU, ABY SE ZABRÁNILO NEBEZPEČÍ ZPŮSOBENÝM JEHO NESTABILITOU.
- **VÝSTRAHA:** CHLADICÍ SYSTÉM OBSAHUJE CHLADIVO POD VYSOKÝM TLAKEM. NEMANIPULUJTE SE SYSTÉMEM. MUSÍ BÝT OPRAVOVÁN POUZE KVALIFIKOVANOU OSOBOU.



VÝSTRAHA:
NEBEZPEČÍ OHNĚ / HOŘLAVÉ MATERIÁLY!

OBSAHUJE CHLADICÍ PLYN IZOBUTAN

R600a

CHLADIVO

CHLADICÍ IZOBUTAN (R600a), KTERÝ JE OBSAŽEN V CHLADICÍM OKRUHU SPOTŘEBIČE, JE PŘÍRODNÍ PLYN S VYSOKOU KOMPATIBILITOU SE ŽIVOTNÍM PROSTŘEDÍM, KTERÝ JE PŘECE JEN HOŘLAVÝ. BĚHEM PŘEPRAVY A INSTALACE SPOTŘEBIČE ZABRAŇTE POŠKOZENÍ KOMPONENT CHLADICÍHO OKRUHU. CHLADIVO (R600a) JE HOŘLAVÉ.

• **VAROVÁNÍ** — CHLADNIČKY V IZOLACI OBSAHUJÍ CHLADIVO A CHLADICÍ PLYNY. CHLADIVO A CHLADICÍ PLYNY MUSÍ BÝT LIKVIDOVÁNY ODBORNĚ, PROTOŽE MOHOU ZPŮSOBIT PORANĚNÍ OČÍ NEBO VZNÍCENÍ. PŘED PROVEDENÍM SPRÁVNÉ LIKVIDACE SE UJISTĚTE, ZDA NENÍ POTRUBÍ CHLADICÍHO OKRUHU POŠKOZENO.



SYMBOL  JE VAROVÁNÍ A ZNAMENÁ TO, ŽE CHLADIVO A CHLADICÍ PLYNY JSOU HOŘLAVÉ.

VAROVÁNÍ: RIZIKO POŽÁRU HOŘLAVÝCH MATERIÁLŮ

POKUD BY DOŠLO K POŠKOZENÍ CHLADICÍHO OKRUHU

- VYHNĚTE SE OTEVŘENÉMU OHNI A ZDROJŮM VZNÍCENÍ.

- DŮKLADNĚ VYVĚTREJTE MÍSTNOST, VE KTERÉ SE SPOTŘEBIČ NACHÁZÍ.

JE NEBEZPEČNÉ MĚNIT NEBO UPRAVOVAT SPOTŘEBIČ JAKÝMKOLIV ZPŮSOBEM.

JAKÉKOLIV POŠKOZENÍ NAPÁJECÍHO KABELU MŮŽE VÉST KE ZKRATU, POŽÁRU A/NEBO ZASAŽENÉM ELEKTRICKÝM PROUDEM.

● **VÝSTRAHA:** CHLADICÍ SYSTÉM OBSAHUJE CHLADIVO POD VYSOKÝM TLAKEM. NEMANIPULUJTE SE SYSTÉMEM. MUSÍ BÝT OPRAVOVÁN POUZE KVALIFIKOVANOU OSOBOU.

● **VÝSTRAHA:** PŘI UMÍSŤOVÁNÍ SPOTŘEBIČE SE MUSÍ ZAJISTIT, ABY NAPÁJECÍ PŘÍVOD NEBYL ZACHYCEN NEBO POŠKOZEN.

● **VÝSTRAHA:** NEUMÍSŤOVAT VÍCENÁSOBNÉ PŘENOSNÉ ZÁSUVKY NEBO PŘENOSNÉ PRODLUŽOVACÍ PŘÍVODY NA ZADNÍ STRANU SPOTŘEBIČE.



ELEKTRICKÁ BEZPEČNOST

1. NAPÁJECÍ KABEL NESMÍ BÝT PRODLUŽOVÁN.
2. UJISTĚTE SE, ZDA NENÍ ZÁSTRČKA NAPÁJECÍHO KABELU POŠKOZENÁ.
ROZDRCENÁ NEBO POŠKOZENÁ ZÁSTRČKA SE MŮŽE PŘEHŘÍVAT A ZPŮSOBIT POŽÁR.
3. UJISTĚTE SE, ZDA MÁTE VOLNÝ PŘÍSTUP K ZÁSTRČCE SPOTŘEBIČE.
4. NETAHEJTE ZA NAPÁJECÍ KABEL.

5. POKUD JE ELEKTRICKÁ ZÁSUVKA UVOLNĚNÁ, NEPŘIPOJUJTE K NÍ ZÁSTRČKU. HROZÍ RIZIKO ÚRAZU ELEKTRICKÝM PROUDEM NEBO VZNIKU POŽÁRU.
6. NESMÍTE POUŽÍVAT TENTO SPOTŘEBIČ BEZ KRYTU VNITŘNÍHO OSVĚTLENÍ.
7. CHLADNIČKA JE URČENA POUZE NA NAPÁJENÍ Z JEDNÉ FÁZE STŘÍDAVÉHO PROUDU S HODNOTAMI 220-240 V~/50 Hz. POKUD JE KOLÍSÁNÍ NAPĚTÍ V MÍSTĚ BYDLIŠTĚ UŽIVATELE TAK VELKÉ, ŽE PŘESAHUJE VÝŠE UVEDENÉ LIMITY, Z BEZPEČNOSTNÍCH DŮVODŮ POUŽIJTE PRO CHLADNIČKU AUTOMATICKÝ NAPĚŤOVÝ REGULÁTOR S VÍCE NEŽ 350 W.

CHLADNIČKA MUSÍ BÝT VYBAVENA SPECIÁLNÍ NAPÁJECÍ ZÁSTRČKOU NAMÍSTO BĚŽNĚ POUŽÍVANÉ S JINÝMI ELEKTRICKÝMI SPOTŘEBIČI. ZÁSTRČKA MUSÍ ZODPOVÍDAT ZÁSUVCE S UZEMŇOVACÍM KONTAKTEM.

BĚŽNÉ POUŽITÍ

- VE SPOTŘEBIČI NESKLADUJTE HOŘLAVÉ PLYNY ANI TEKUTINY. HROZÍ RIZIKO EXPLOZE.
- VE SPOTŘEBIČI NEPOUŽÍVEJTE JINÉ ELEKTRICKÉ SPOTŘEBIČE (NAPŘ. ELEKTRICKÝ VÝROBNÍK ZMRZLINY, MIXÉRY ATD.).
- PŘI ODPOJOVÁNÍ SPOTŘEBIČE Z ELEKTRICKÉ ZÁSUVKY, VŽDY TAHEJTE ZA ZÁSTRČKU. NETAHEJTE ZA KABEL.
- DO BLÍZKOSTI PLASTOVÝCH DÍLŮ TOHOTO SPOTŘEBIČE NEDÁVEJTE HORKÉ PŘEDMĚTY.
- NEDÁVEJTE ŽÁDNÉ PŘEDMĚTY DO BLÍZKOSTI VZDUCHOVÝCH OTVORŮ V ZADNÍ STĚNĚ.
- BALENÉ MRAZENÉ POTRAVINY SKLADUJTE V SOULADU S POKYNY VÝROBCE MRAZENÝCH POTRAVIN.

- MĚLI BYSTE STRIKTNĚ DODRŽOVAT DOPORUČENÍ TÝKAJÍCÍ SE SKLADOVÁNÍ VE SPOTŘEBIČI OD VÝROBCE. VIZ PŘÍSLUŠNÉ POKYNY O SKLADOVÁNÍ.
- DO MRAZICÍHO PROSTORU NEDÁVEJTE SYCENÉ NEBO ŠUMIVÉ NÁPOJE, PROTOŽE VYTVÁŘEJÍ TLAK NA NÁDOBU, KTERÁ MŮŽE EXPLODOVAT, COŽ MŮŽE VÉST K POŠKOZENÍ SPOTŘEBIČE.
- NEKONZUMUJTE MRAZENÉ POKRMY IHNED PO VYJMUTÍ Z MRAZNIČKY, MŮŽETE SE PORANIT.
- NEUMÍSTUJTE SPOTŘEBIČ NA PŘÍMÉ SLUNEČNÉ SVĚTLO.
- MĚJTE HORKÉ SVÍČKY, LAMPY A JINÉ PŘEDMĚTY S OTEVŘENÝM OHNĚM V DOSTATEČNÉ VZDÁLENOSTI OD SPOTŘEBIČE, ABYSTE ZABRÁNILI RIZIKU POŽÁRU.
- SPOTŘEBIČ JE URČEN NA USKLADNĚNÍ POKRMŮ A/ NEBO NÁPOJŮ V BĚŽNÉ DOMÁCNOSTI PODLE POPISU V NÁVODU. SPOTŘEBIČ JE TĚŽKÝ. ZVYŠTE POZORNOST PŘI JEHO PŘEMÍSTOVÁNÍ.
- NEVYJÍMEJTE ANI SE NEDOTÝKEJTE POLOŽEK V PROSTORU MRAZENÍ, POKUD MÁTE VLHKÉ/MOKRÉ RUCI, PROTOŽE TO MŮŽE VÉST K PORANĚNÍM POKOŽKY NEBO POPÁLENINÁM Z MRAZU.
- NIKDY NEPOUŽÍVEJTE DNO, ZÁSUVKY, DVÍŘKA APOD. NA STOUPÁNÍ NEBO JAKO PODPĚRU.
- MRAZENÉ POTRAVINY, NESMÍ BÝT PO ROZMRAZENÍ OPĚTOVNĚ ZMRAZENY.
- NEKONZUMUJTE LEDOVÉ NANUKY NEBO KOSTKY LEDU IHNED PO VYJMUTÍ Z MRAZNIČKY, PROTOŽE BYSTE SI TAK MOHLI PORANIT ÚSTA A RTY.
- ABYSTE ZABRÁNILI PÁDU PŘEDMĚTŮ A ZRANĚNÍ NEBO POŠKOZENÍ SPOTŘEBIČE, NEPŘETĚŽUJTE PŘIHRÁDKY DVÍŘEK ANI DO ZÁSUVK NE DÁVEJTE NADMĚRNÉ MNOŽSTVÍ POTRAVIN.

INSTALACE

DŮLEŽITÉ!

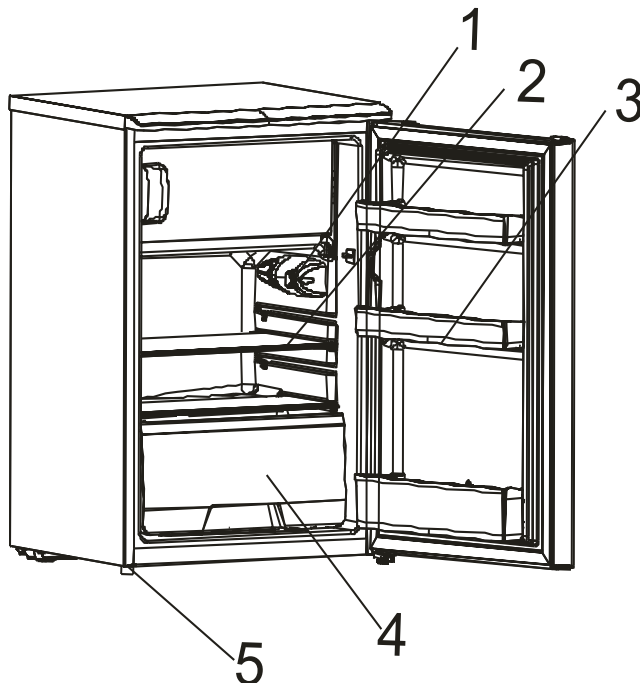
- PŘI PŘIPOJENÍ K ELEKTRICKÉ SÍTI BUĎTE OPATRNÍ, DODRŽUJTE POKYNY V TOMTO NÁVODU. SPOTŘEBIČ VYBALTE A ZKONTROLUJTE HO Z HLEDISKA VIDITELNÝCH POŠKOZENÍ.
- POKUD JE SPOTŘEBIČ POŠKOZENÝ, NEPŘIPOJUJTE HO. OZNAMTE PŘÍPADNÉ POŠKOZENÍ V MÍSTĚ ZAKOUPENÍ. V TOMTO PŘÍPADĚ SI NECHTE OBALOVÝ MATERIÁL.
- DOPORUČUJE SE POČKAT NĚKOLIK HODIN, PŘED PŘIPOJENÍM SPOTŘEBIČE, ABY SE OLEJ V KOMPRESORU USTÁLIL.
- OKOLO SPOTŘEBIČE ZAJISTĚTE DOSTATEČNÉ VĚTRÁNÍ, V OPAČNÉM PŘÍPADĚ MŮŽE DOCHÁZET K PŘEHŘÍVÁNÍ. PRO DOSAŽENÍ DOSTATEČNÉHO VĚTRÁNÍ DODRŽUJTE POKYNY K INSTALACI.
- POKUD JE TO MOŽNÉ, ZADNÍ STĚNA SPOTŘEBIČE BY NEMĚLA BÝT PŘÍLIŠ BLÍZKO STĚNY A NEMĚL BY SE DOTÝKAT HORKÝCH ČÁSTÍ (KOMPRESOR, KONDENZÁTOR), ABY SE ZABRÁNILO RIZIKU POŽÁRU, DODRŽUJTE PŘÍSLUŠNÉ POKYNY K INSTALACI.
- SPOTŘEBIČ NESMÍ BÝT UMÍSTĚN V BLÍZKOSTI RADIÁTORŮ NEBO SPORÁKŮ.
- PO INSTALACI SPOTŘEBIČE SE UJISTĚTE, ZDA JE SÍŤOVÁ ZÁSTRČKA SNADNO PŘÍSTUPNÁ.
- ODLOŽTE VŠECHNY OBALY MIMO DOSAH DĚTÍ, PROTOŽE HROZÍ RIZIKO UDUŠENÍ.

- VNITŘNÍ PROSTOR VAŠÍ CHLADNIČKY/MRAZNIČKY MŮŽE PŘED PRVNÍM POUŽITÍM ZAPÁCHAT. JE TO NORMÁLNÍ JEV. ZÁPACH ZMIZÍ, JAKMILE ZAČNE ZAŘÍZENÍ CHLADIT/MRAZIT.
- PŘED PŘIPOJENÍM CHLADNIČKY/MRAZNIČKY SE UJISTĚTE, ŽE NAPĚTÍ V ELEKTRICKÉ SÍTI ODPOVÍDÁ POŽADAVKŮM NA PŘIPOJENÍ CHLADNIČKY/MRAZNIČKY. V PŘÍPADĚ POCHYBNOSTÍ SE OBRAŤTE NA KVALIFIKOVANÉHO ELEKTRIKÁŘE.
- SPOTŘEBIČ MUSÍ BÝT PŘIPOJEN DO ZÁSUVKY S ODPOVÍDAJÍCÍM NAPĚTÍM A SPRÁVNĚ NAINSTALOVANOU POJISTKOVOU ZÁSUVKOU.
- CHLADNIČKA/MRAZNIČKA NESMÍ BÝT UMÍSTĚNA VENKU NEBO VYSTAVENA DEŠTI.
- CHLADNIČKA/MRAZNIČKA MUSÍ BÝT UMÍSTĚNA NEJMÉNĚ 50 CM OD TOPNÝCH TĚLES, TOPENÍ TRUB, PLYNOVÝCH TRUB ATD.
- POKUD JE CHLADNIČKA S MRAZNIČKOU UMÍSTĚNA VEDLE MRAZÁKU, MUSÍ MEZI NIMI BÝT MIN. 2 CM ROZESTUP.
- NA CHLADNIČKU/MRAZNIČKU NEPOKLÁDEJTE TĚŽKÉ VĚCI, NEZAKRÝVEJTE JI.
- NAD CHLADNIČKOU/MRAZNIČKOU MUSÍ BÝT MIN. 150 MM VOLNÝ PROSTOR.
- TENTO SPOTŘEBIČ JE VYROBEN K POUŽITÍ V DOMÁCNOSTECH A JE VHODNÝ POUZE PRO CHLAZENÍ /MRAZENÍ POTRAVIN. NENÍ VHODNÝ PRO KOMERČNÍ POUŽITÍ A / NEBO PRO SKLADOVÁNÍ LÁTEK S VÝJIMKOU POTRAVIN. VÝROBCE NENESE ZA ŽÁDNÉ ZTRÁTY, ZPŮSOBENÉ NEVHODNÝM POUŽITÍM SPOTŘEBIČE, ODPOVĚDNOST.

ČÁST 2: POPIS SPOTŘEBIČE

Tento typ chladničky se používá především v místech, jako jsou hotely, kanceláře, studentské domovy. Je vhodný pro chlazení a konzervování potravin, jako jsou nápoje a různé druhy ovoce. Mezi jeho výhody patří malá velikost, nízká hmotnost, nízká spotřeba elektrické energie a snadné použití.

Hlavní části spotřebiče



- 1 Termostat
- 2 Skleněná police
- 3 Plastová police
- 4 Zásuvka pro zachování svěžesti potravin
- 5 Nastavitelná nožička

Poznámky:

Chladicí sekce (lednička) - Nejeftektivnější využití energie zajišťuje konfigurace se zásuvkami ve spodní části spotřebiče a rovnoměrně rozmístěnými policemi. Směr otevření dveří neovlivňuje spotřebu energie.

Mraznička - Nejeftektivnější využití energie je zajištěno v konfiguraci, kdy jsou zásuvky správně zasunuty.

ČÁST 3: VYBALENÍ CHLADNIČKY

VAROVÁNÍ!

S chladničkou by vždy měly manipulovat alespoň dvě osoby. V opačném případě může dojít ke zranění.

- Před použitím odstraňte z chladničky všechny pásky a štítky (kromě výrobního štítku).
- Zbytky pásky nebo lepidla jemně setřete palcem.
- Zbytky pásky nebo lepidla lze také snadno odstranit prsty namočenými v troše tekutého mýdla. Poté místo omyjte teplou vodou a vysušte.
- K odstranění zbytků pásky nebo lepidla nepoužívejte ostré nástroje, alkohol, hořlavé kapaliny ani abrazivní čisticí prostředky, neboť by mohlo dojít k poškození povrchu chladničky.
- Při manipulaci nenaklánějte ledničku pod úhlem vyšším než 45°. Chladnička by se stále měla nacházet ve svislé poloze.

ČÁST 4: ČIŠTĚNÍ PŘED PRVNÍM POUŽITÍM

Po odstranění veškerého obalového materiálu (zejména pěny mezi vnějším kondenzátorem a skříní) vyčistěte vnitřní prostor chladničky. Teprve poté je možné ledničku používat.

ČÁST 5: PROSTOROVÉ POŽADAVKY

VAROVÁNÍ!

Uchovávejte hořlavé materiály, jako je například benzín, v dostatečné vzdálenosti od chladničky. V opačném případě může dojít k výbuchu, poranění, popáleninám nebo úmrtí osob.

- Aby byla zajištěna správná ventilace chladničky, ponechejte mezi stěnou a boční stranou chladničky alespoň 200 mm volného prostoru, mezi stěnou a zadní stranou chladničky rovněž alespoň 200 mm volného prostoru a mezi horní stranou chladničky a stropem alespoň 300 mm volného prostoru.
- Pokud chcete umístit ledničku vedle pevné stěny, ponechte na straně dveřních závěsů dostatek místa, aby bylo možné dvířka bez problémů otevřít.
- Nikdy neumísťujte ledničku do blízkosti tepelných zdrojů. Nevystavujte ji přímým slunečním paprskům.

ČÁST 6: PŘIPOJENÍ K ELEKTRICKÉ SÍTI

VAROVÁNÍ!

NEODSTRAŇUJTE UZEMNĚNÍ.
NEPOUŽÍVEJTE ADAPTÉR.
NEPOUŽÍVEJTE PRODLUŽOVACÍ KABEL.

Nedodržení těchto pokynů může mít za následek smrt, požár nebo úraz elektrickým proudem.

Před přesunutím chladničky na stálé místo se ujistěte, že je k dispozici vhodné připojení k elektrické síti.

Doporučený způsob uzemnění

Doporučujeme připojit ledničku ke zdroji napájení o hodnotě AC220 - 240V /50 Hz s pojistkou o hodnotě 10 ampérů. Chladnička musí být řádně uzemněná. Doporučujeme Vám připojit ledničku k samostatnému okruhu, ke kterému nebudou připojeny žádné další spotřebiče. Použijte zásuvku, kterou nelze vypnout pomocí vypínače nebo tahem za řetízek. Nepoužívejte prodlužovací kabel.

POZNÁMKA!

Před jakoukoliv instalací odpojte ledničku od elektrické sítě. Po dokončení instalace připojte ledničku k elektrické síti a proveďte požadované nastavení.

ČÁST 7: VYROVNÁNÍ

Pokud během instalace nevyrovnáte ledničku, nemusí se správně zavírat dvířka a zároveň nemusí správně fungovat těsnění, což může vést k problémům s chlazením, mrazením nebo vlhkostí. Je velmi důležité, aby byla chladnička správně vyrovnaná - jen tak bude fungovat správně. K vyrovnaní chladničky slouží nastavitelná nožička v její přední části. Otočením nastavitelné nožičky po směru hodinových ručiček nadzvednete příslušnou stranu chladničky, otočením nastavitelné nožičky proti směru hodinových ručiček tuto stranu snížíte.

POZNÁMKA!

Vyrovnaní chladničky je snazší, pokud jedna osoba tlačí na horní část chladničky, zatímco druhá osoba seřizuje nastavitelnou nožičku.

ČÁST 8: POUŽITÍ SPOTŘEBIČE

Abyste dosáhli co nejlepších výsledků při používání chladničky, je důležité, abyste ji používali správně.

Zkratka pro rozsah okolní teploty, tj. SN, N, ST nebo T, při určování klimatických tříd:

1. rozšířená mírná zóna (SN) má teplotní rozsah 10 °C až 32 °C;
2. mírné pásmo (N) má teplotní rozsah 16 °C až 32 °C;
3. subtropické pásmo (ST) má teplotní rozsah od 18 °C do 38 °C;
4. tropická zóna (T) má teplotní rozsah 18 °C až 43 °C.

Nastavení teploty (volitelné)

Ovládací prvky chladničky a mrazničky jsou umístěny na přihrádce chladicího prostoru. Když poprvé nainstalujete chladničku, nastavte ovladač termostatu na hodnotu 3. Před vložením potravin nechte chladničku úplně vychladit. Nejlepší je před vložením potravin počkat 24 hodin.

Ovladačem teploty nastavujete teplotu. Čím vyšší je nastavení, tím déle bude kompresor pracovat, abyste udrželi nižší teplotu.

Když je ovladač termostatu nastaven do polohy OFF, chladnička nepracuje.

Ovládací prvky chladničky a mrazničky jsou umístěny na přihrádce chladicího prostoru. Když poprvé nainstalujete chladničku, nastavte ovladač termostatu na „“. Před vložením potravin nechte chladničku úplně vychladit. Nejlepší je před vložením potravin počkat 24 hodin.

Ovladačem teploty nastavujete teplotu. Nastavením polohy „cool“ zvolíte nejvyšší teplotu a nastavením polohy „cooler“ zvolíte nejnižší teplotu.

Když je ovladač termostatu nastaven do polohy OFF, chladnička nepracuje.

Skladování čerstvých potravin

Potraviny skladujte v lednici v obalu, který je vzduchotěsný a nepropouští ani vlhkost. Zabráníte tím zápachu a přenosu chutí v chladničce.

- **Ovoce**
Umyjte, nechte vyschnout a skladujte v chladničce v plastových sáčcích v zásuvce pro zachování svěžesti potravin.
- **Listová zelenina**
Odstraňte obal a ořízněte nebo odtrhněte odřená a odbarvená místa, opláchněte ve studené vodě. Umístěte do plastového sáčku nebo plastové nádoby a skladujte v zásuvce pro zachování svěžesti potravin.
- **Ryby**
Čerstvé ryby spotřebujte v den jejich zakoupení.
- **Maso**
Většinu masa skladujte v originálním balení, pokud je vzduchotěsné a odolné vůči vlhkosti. V případě potřeby zabalte do nového obalu.
- **Ostatní**
Potraviny zabalte do plastového sáčku nebo hliníkové fólie. Můžete použít i plastové nádoby s pevným krytem.

Skladování mrazených potravin

Prostor pro mrazničky je určen pro skladování mrazených potravin a na zmrazování potravin.

Úspěšné zmrazení závisí na správném zabalení. Potraviny zabalte tak, aby do balení nevnikli vzduch ani vlhkost. Pokud tak neučiníte, mohou se smíchat vůně a chutě uskladněných potravin a mrazené potraviny se mohou vysušit.

POZNÁMKA!

Do mrazničky nikdy nevkládejte balené potraviny nebo nápoje.

Pro co nejlepší výkon nechte v mrazáku a lednici dostatek prostoru pro cirkulaci vzduchu kolem jednotlivých balíčků potravin. Nechte také dostatek prostoru vpředu tak, aby se dveře mohly správně zavírat.

Odmrazování

• **Prostor chladničky**

Proces odmrázování je automatický pomocí tlačítka termostatu.

Roztavená námraza proudí do odkapávací misky a automaticky se odpařuje.

• **Prostor mrazničky**

Odmrazování v mrazicím prostoru je třeba provést manuálně.

- Otočte ovladačem termostatu do polohy OFF a nechte dveře mrazničky otevřené.
- Vyjměte všechny potraviny, zásobník na kostky ledu a poličku nebo je umístěte do prostoru chladničky.
- Vyčistěte a otřete rozpuštěnou námrazu utěrkou.
- Po rozmrazení otočte ovladačem termostatu do původní polohy.

POZNÁMKA!

Aby nedošlo k poškození stěny mrazicího prostoru, nepoužívejte k odstranění námrazy nebo na oddělení mrazených potravin ostré předměty.

Čištění

1. Čištění spotřebiče

- Prach za chladničkou a na zemi musíte pravidelně otírat, aby se zlepšil chladicí účinek spotřebiče a úspora energie.
- Pravidelně kontrolujte těsnění dvířek, abyste se ujistili, že na něm nejsou žádné nečistoty. Těsnění dvířek vyčistěte měkkým hadříkem navlhčeným v mýdlové vodě nebo ve zředěném čisticím prostředku.
- Vnitřek chladničky musíte pravidelně čistit, abyste zabránili tvorbě pachů.
- Před čištěním vnitřku spotřebiče vypněte napájení, vyjměte všechny potraviny, nápoje, police, zásuvky atd.
- Na čištění vnitřku chladničky použijte jemnou utěrku nebo houbu s dvěma polévkovými lžícemi jedlé sody a teplou vodou. Poté opláchněte čistou vodou a otřete dosucha. Před čištěním otevřete dvířka a nechte je přirozeně vyschnout.
- V částech, které se obtížně čistí (např. úzké mezery nebo rohy), doporučujeme je pravidelně otírat měkkým hadříkem nebo vatovými tyčinkami, aby se v těchto prostorách nezachytily žádné bakterie.
- Nepoužívejte mýdlo, saponát, čisticí prášek, sprejový čistič atd., protože mohou způsobit zápach uvnitř ledničky nebo kontaminovat potraviny.
- Rám na láhve, police a zásuvky čistěte měkkým hadříkem navlhčeným v mýdlové vodě nebo ve zředěném čisticím prostředku. Vysušte měkkým hadříkem nebo nechte přirozeně vysušit.
- Vnější povrch chladničky otřete měkkým hadříkem navlhčeným v mýdlové vodě nebo saponátu a potom vysušte.
- Na čištění nepoužívejte tvrdé kartáče, drátěné kartáče, abraziva (např. zubní pasty), organická rozpouštědla (např. alkohol, aceton, banánový olej atd.), vařící vodu, kyselé nebo zásadité předměty, které mohou poškodit vnitřek nebo povrch chladničky. Vařící voda a organická rozpouštědla, jako například benzen, mohou zdeformovat nebo poškodit plastové části.
- Během čištění spotřebič nevyplachujte přímo vodou ani jinými kapalinami, abyste zabránili zkratům. Spotřebič neponořujte do vody.

2. Tipy na čištění

Na vnější straně spotřebiče se může objevit kondenzace. Může to být způsobeno změnou teploty v místnosti. Otřete všechny zbytky vlhkosti. Pokud problém přetrvává, požádejte o pomoc kvalifikovaného servisního technika.

ČÁST 9: VYPNUTÍ SPOTŘEBIČE NA DELŠÍ OBDOBÍ

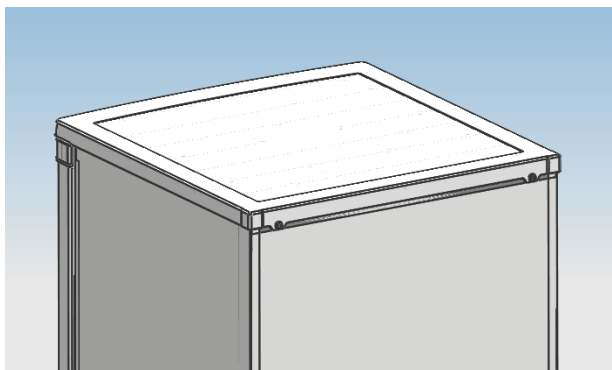
Pokud chladničku nebudete delší dobu používat, postupujte následovně:

Odpojte chladničku od hlavního napájení vytažením zástrčky ze zásuvky. Vyčistěte a vysušte vnitřek chladničky podle návodu na čištění chladničky.

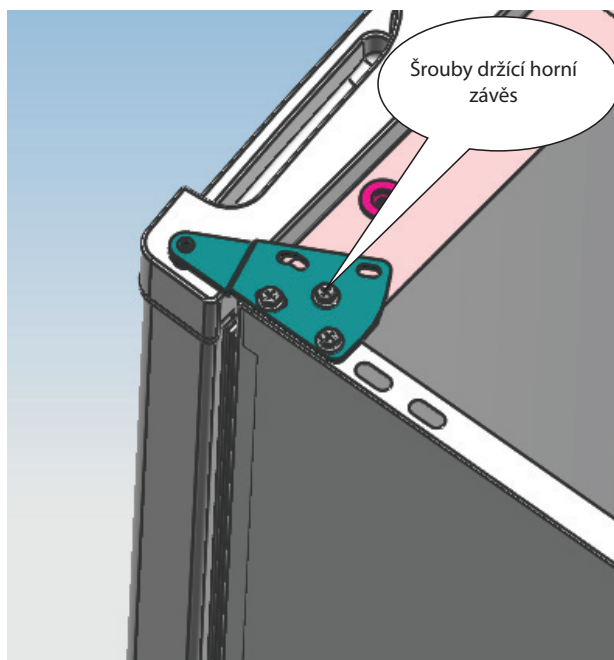
Když se chladnička nepoužívá, nechte dvířka otevřená, aby se zabránilo tvorbě nepříjemných pachů.

ČÁST 10: ZMĚNA SMĚRU OTEVÍRÁNÍ DVÍŘEK (VOLITELNÉ)

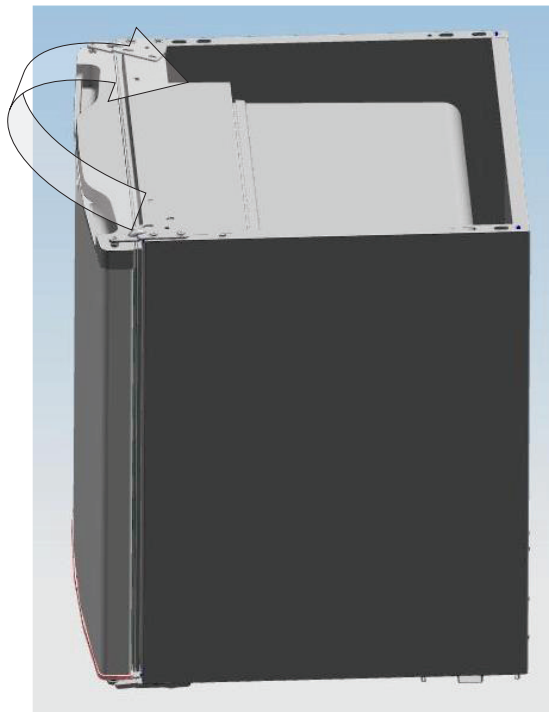
- 1 Pomocí křížového šroubováku vyšroubujte šrouby, kterými je upevněn kryt chladničky, a sejměte tento kryt.



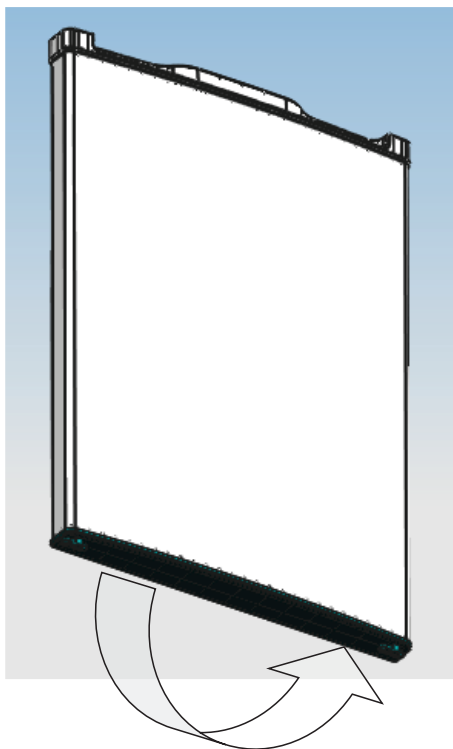
- 2 Pomocí křížového šroubováku vyšroubujte šrouby, kterými je upevněn horní závěs.



- 3 Přesuňte horní závěs, omezovač úhlu otevření dvířek a pouzdro ložiska dvířek na druhou stranu.
A Přesuňte horní závěs na druhou stranu.



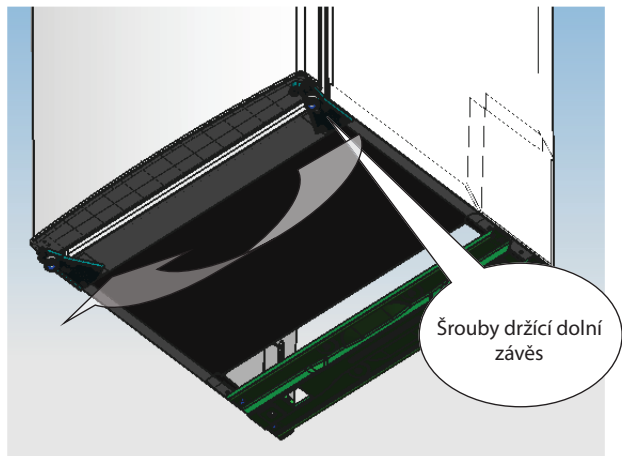
- B Přesuňte pouzdro ložiska dvířek a omezovač úhlu otevření dvířek na druhou stranu.



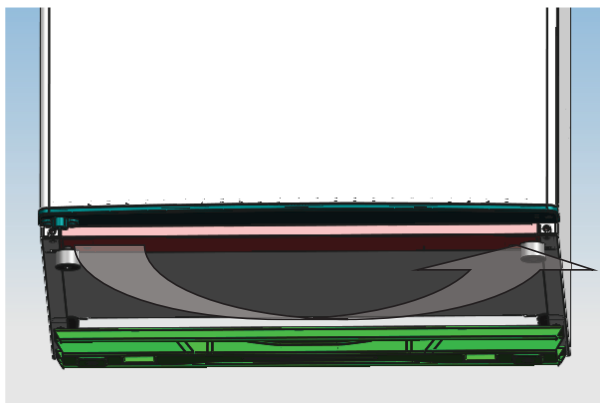
- 4 Pomocí křížového šroubováku vyšroubujte šrouby držící spodní závěs, přesuňte závěs na druhou stranu a upevněte jej pomocí šroubů.

POZNÁMKA!

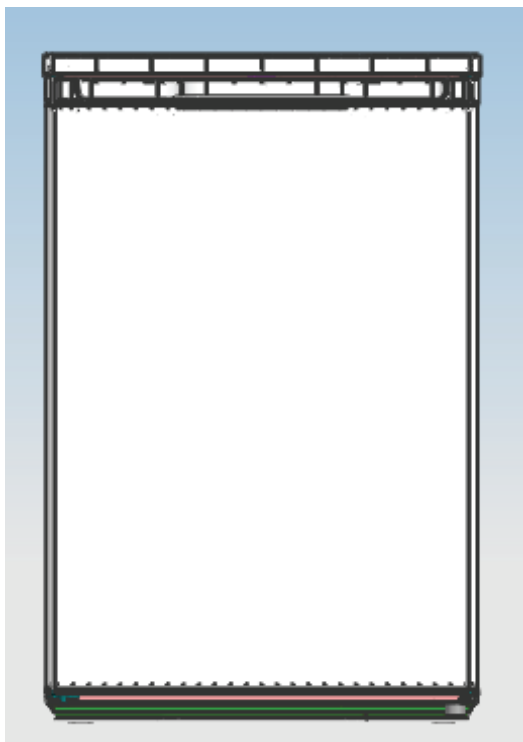
Nenaklánějte ledničku ve větším úhlu než 45°.



- 5 Přešuněte vyrovnávací zařízení na druhou stranu a nastavte je tak, aby se chladnička nacházela ve vodorovné poloze.



6 Umístěte dvířka do správné polohy, upevněte horní závěs a poté horní kryt.



Ujistěte se, že je spotřebič odpojený od elektrické sítě a prázdný. Nastavte obě vyrovnávací nožičky do nejvyšší polohy. Doporučujeme, aby Vám někdo pomohl.

POZNÁMKA!

Aby bylo možné demontovat dvířka, je nutné spotřebič naklonit dozadu.

Opřete spotřebič zadní částí v místě pod horním krytem o něco pevného, např. o křeslo.

Nepokládejte spotřebič do vodorovné polohy, neboť by mohlo dojít k poškození chladicího systému.

Tipy pro úsporu energie

- Spotřebič by měl být umístěn v nejchladnější části místnosti, mimo dosah tepelných zdrojů a přímých slunečních paprsků.
- Teplé potraviny nebo pokrmy nechte před vložením do spotřebiče vychladnout na pokojovou teplotu. Přetížení spotřebiče nutí kompresor pracovat déle. Potraviny, které se zmrazují příliš pomalu, ztrácejí na kvalitě nebo se mohou zkazit.
- Ujistěte se, že potraviny jsou dobře zabalené. Před vložením do spotřebiče je otřete, snížíte tak tvorbu námrazy uvnitř spotřebiče.
- Vnitřní prostor spotřebiče byste neměli vykládat hliníkovou fólií, voskovým papírem nebo papírovými utěrkami. Tyto materiály narušují cirkulaci studeného vzduchu a spotřebič tak pracuje méně efektivně.
- Potraviny řádně uspořádejte a označte, abyste je poté snadno našli a nenechávali dvířka spotřebiče dlouho otevřená. Vyjměte co nejvíce položek najednou a zavřete dvířka co nejdříve.

Každodenní používání

Aby se zabránilo kontaminaci potravin, respektujte prosím následující instrukce:

- Dlouhodobé otevření dveří může způsobit výrazný nárůst teploty v prostoru spotřebiče.
- Pravidelně čistěte povrchy, které mohou přijít do styku s potravinami a přístupné odvodňovací systémy.
- Nádoby na vodu vyčistěte, pokud nebyly používány po dobu 48 hodin; propláchnete vodu pokud není voda odebrána několik dní.
- Syrové maso a ryby skladujte ve vhodných nádobách v chladničce, aby nedocházelo ke kontaktu s jinými potravinami nebo na ně nekapalo.
- Dvuhvězdičkové prostory pro zmrazené potraviny (jsou-li uvedeny, jsou vhodné pro skladování předmrazených potravin, skladování nebo výrobu zmrzliny a výrobu kostek ledu.
- Jedno, dvou a tříhvězdičkové prostory nejsou vhodné pro mrazení čerstvých potravin.
- Pokud se chladicí spotřebič zanechává prázdný po dlouhou dobu, je třeba ho vypnout, odmrazit, vyčistit, vysušit a nechat dvířka otevřená, aby se zabránilo tvorbě plísní uvnitř spotřebiče.

Umístěte různé potraviny do různých přihrádek podle níže uvedené tabulky

Část v lednici	Typ potraviny
Dveře nebo balkony chladničky	<ul style="list-style-type: none">• Potraviny s přírodními konzervačními látkami, např. džemy, džusy, šťávy, nápoje, koření .• Neskladujte zkažené potraviny .
Šuplíková zásuvka na zeleninu (zásuvka na salát)	<ul style="list-style-type: none">• Ovoce , bylinky a zelenina by měly být umístěny odděleně do zásuvky Crisper na zeleninu .• Neskladujte banány, cibuli, brambory, česnek v lednici.
Police lednice (box / zásuvka)	<ul style="list-style-type: none">• Syrové maso, drůbež, ryby (zkrácená doba skladování).
Police lednice - střední	<ul style="list-style-type: none">• Mléčné výrobky, vejce.
Police lednice - horní	<ul style="list-style-type: none">• Potraviny, které nepotřebují vaření, jako jsou hotová jídla, maso, zbytky.

ČÁST 11: ODSTRANĚNÍ MOŽNÝCH PROBLÉMŮ

Pokud dochází k problémům s vaším spotřebičem, nebo se domníváte, že spotřebič nefunguje správně, můžete provést několik jednoduchých kroků dříve, než zavoláte servis.



UPOZORNĚNÍ!

Nesnažte se opravovat spotřebič sami. Pokud problém přetrvává i poté, co provedete níže uvedené kroky, kontaktujte kvalifikovaného elektrikáře, autorizované servisní středisko nebo prodejnu, ve které jste si tento spotřebič zakoupili.

Důležité! Během normálního používání se vyskytují určité zvuky (kompresor, cirkulace chladiva).

Problém	Možná příčina	Řešení
Spotřebič nefunguje.	Ovladač pro regulaci teploty je nastaven na číslo „0“.	Nastavte ovladač na jiné číslo, abyste tak spotřebič zapnuli.
	Síťová zástrčka není zapojená nebo je uvolněná.	Zasuňte síťovou zástrčku.
	Pojistka je vypálená nebo je chybná.	Zkontrolujte pojistku, v případě potřeby ji vyměňte.
	Zásuvka je chybná.	Poruchy v elektrické síti musí opravit elektrikář.
Potraviny jsou velmi teplé.	Teplota není správně nastavená.	Podívejte se prosím do úvodní části o nastavení teploty.
	Dvířka byla otevřena delší dobu.	Dvířka otevřete pouze tak dlouho, jak je to nutné.
	Za posledních 24 hodin bylo do spotřebiče vloženo velké množství teplých potravin.	Dočasně otočte ovladač regulace teploty na chladnější nastavení.
	Spotřebič je blízko zdroje tepla.	Viz část ohledně umístění instalace.
Spotřebič příliš chladí.	Teplota je velmi nízká.	Otočte ovladač regulace teploty na teplejší nastavení.
Neobvyklé zvuky.	Spotřebič nestojí rovně.	Nastavte nožičky spotřebiče.
	Spotřebič se dotýká stěny nebo jiných předmětů.	Spotřebič mírně odtáhněte.
	Komponent, např. trubka na zadní straně spotřebiče se dotýká jiné části spotřebiče nebo stěny.	V případě potřeby tento komponent opatrně ohněte.
Nefunkční světlo.	-	Ohledně opravy či výměny kontaktujte servisní středisko.

Pokud se porucha vyskytne znovu, obraťte se na servisní středisko.

Tyto údaje jsou nutné, aby vám pomohli rychle a správně. Zde napište potřebné údaje, viz typový štítek.

Pokyny ke skladování

Respektujte prosím následující pokyny, aby nedošlo ke kontaminaci potravin

- Dlouhé otevírání dveří může způsobit výrazné zvýšení teploty v oddělech spotřebiče.
- Pravidelně čistěte povrchy, které mohou přijít do styku s potravinami a přístupnými drenážními systémy.
- Syrové maso a ryby umístěte do vhodných nádob v chladničce, aby se nedostaly do kontaktu s jinými potravinami ani na ně nekapaly.
- **Dvuhvězdičkové prostory pro mražené potraviny jsou vhodné pro skladování předem zmrazených potravin, skladování nebo výrobu zmrzliny a výrobu kostek ledu.
- *Jedno-, **dvou- a *** tříhvězdičkové prostory nejsou vhodné pro zmrazování čerstvých potravin.

Č.	TYP prostoru	Cílová teplota skladování [°C]	Vhodné potraviny
1	Chladnička	+2 ~ +8	Vejce, vařené pokrmy, balené potraviny, ovoce a zelenina, mléčné výrobky, koláče, nápoje a jiné potraviny, které nejsou vhodné k mražení.
2	(***)*- Mraznička	≤ -18	Mořské plody (ryby, krevety, měkkýši), čerstvé výrobky ze sladkovodních ryb a masné výrobky (doporučená doba jsou 3 měsíce, čím je doba skladování delší, tím je horší chuť a nutriční hodnoty), vhodné pro čerstvé zmražené potraviny.
3	***- Mraznička	≤ -18	Mořské plody (ryby, krevety, měkkýši), čerstvé výrobky ze sladkovodních ryb a masné výrobky (doporučená doba jsou 3 měsíce, čím je doba skladování delší, tím je horší chuť a nutriční hodnoty), vhodné pro čerstvé zmražené potraviny.
4	** - Mraznička	≤ -12	Mořské plody (ryby, krevety, měkkýši), čerstvé výrobky ze sladkovodních ryb a masné výrobky (doporučená doba jsou 2 měsíce, čím je doba skladování delší, tím je horší chuť a nutriční hodnoty), není vhodné pro čerstvé zmražené potraviny.
5	*- Mraznička	≤ -6	Mořské plody (ryby, krevety, měkkýši), čerstvé výrobky ze sladkovodních ryb a masné výrobky (doporučená doba je 1 měsíc, čím je doba skladování delší, tím je horší chuť a nutriční hodnoty), není vhodné pro čerstvé zmražené potraviny.
6	0 - hvězdiček	-6 ~ 0	Čerstvé vepřové maso, hovězí maso, ryby, kuřecí maso, některé balené zpracované potraviny atd. (Doporučuje se konzumovat v ten samý den, pokud možno neskladovat déle než 3 dny). Částečně zabalené zpracované potraviny (nemrznoucí potravin

7	Chlazení	-2 ~ +3	Čerstvé/mražené vepřové maso, hovězí maso, kuřecí maso, čerstvé výrobky ze sladkovodních ryb, atd. (7 dní při teplotě pod 0 °C a při teplotě nad 0 °C se doporučuje konzumovat v ten samý den, pokud možno neskladovat déle než 2 dny). Mořské plody (při teplotě pod 0 °C skladovat 15 dní, nedoporučuje se skladovat při teplotě nad 0 °C).
8	Čerstvé potraviny	0 ~ +4	Čerstvé vepřové maso, hovězí maso, ryby, kuřecí maso, vařené potraviny, atd. (Doporučuje se konzumovat v ten samý den, pokud možno neskladovat déle než 3 dny).
9	Víno	+5 ~ +20	Červené víno, bílé víno, šumivé víno atd.

Poznámka: Uchovávejte různé potraviny podle prostorů nebo cílové teploty skladování zakoupených výrobků.

- Pokud necháte chladicí spotřebič delší dobu prázdný, vypněte ho, odmrazte, vyčistěte, vysušte a nechte dvířka otevřená, abyste tak zabránili tvorbě plísní ve spotřebiči.

Rozmístění potravin ve spotřebiči

- Brambory, cibule a česnek by neměly být uchovávány v chladničce/mrazničce.
- Za normálních okolností je dostatečné nastavení teploty v chladničce na + 4 °C.
- Teplota chladničky by měla být v rozsahu 0 °C až 8 °C. Čerstvé potraviny skladované pod 0 °C zmrznou, hnijí. Bakteriální zátěž se zvyšuje při skladování nad 8 °C a potraviny se kazí.
- Nedávejte do chladničky/mrazničky teplá nebo horká jídla, počkejte, až vychladnou na pokojovou teplotu. Horká jídla zvyšují teplotu uvnitř chladničky/mrazničky a mohou být příčinou zbytečného kažení jídla a případnou otravou zkaženým jídlem.
- Maso, ryby atd. by měly být skladovány v chladicí přihrádce k tomu určené - pokud je k dispozici.
- Ovoce a zelenina by měly být skladovány v chladicí přihrádce k tomu určené - pokud je k dispozici.
- Abyste zabránili kontaminaci masných výrobků bakteriemi, ovoce a zeleninu neuchovávejte ve společné přihrádce. To samé platí i opačně - kontaminace ovoce a zeleniny bakteriemi masných výrobků.

ČÁST 12: INFORMAČNÍ LIST

Informační list

PHILCO 

DELEGOVANÉ NAŘÍZENÍ KOMISE (EU) 2019/2016

Název nebo ochranná známka výrobce: PHILCO

Adresa výrobce: PHILCO, FAST ČR, a.s. U Sanitasu 1621 Říčany 251 01, Czech Republic

Identifikační značka modelu: PTB 113 EW

Typ chladicího zařízení: Jednodvěřová chladnička s mrazákem

Nízkohlučný spotřebič:	Ne	Typ spotřebiče:	volněstojící
Zařízení pro skladování vína:	Ne	Ostatní chladicí spotřebiče:	Ano

Základní specifikace:

Parametr	Hodnota	Parametr	Hodnota
Rozměry v mm	Výška	Celkový objem (dm ³ nebo l)	113
	Šířka		
	Hloubka		
Index energetické účinnosti (EEL)	100	Třída energetické účinnosti*	E
Akustický zvuk emise hluku (dB(A) re 1 pW)	39	Třída akustických emisí hluku	C
Roční spotřeba energie (kWh/rok)	142	Klimatická třída:	N/ST
Minimální okolní teplota (°C), pro které je chladicí zařízení vhodné	16	Maximální okolní teplota (°C), pro které je chlazení zařízení je vhodné	38
Nastavení spotřebiče na zimu	Ne		

Specifikace prostoru:

Typ prostoru	Parametry a hodnoty chladicího prostoru				
	Objem spotřebiče (dm ³ nebo l)	Doporučené nastavení teploty pro optimalizované skladování potravin (°C)	Mrazicí kapacita (kg/24h)	Typ odmrazování: (auto-odmrazování = A, manuální odmrazování = M)	
Komora / spíž	Ne	-	-	-	-
Skladování vína	Ne	-	-	-	-
Sklepní prostor	Ne	-	-	-	-
Čerstvé potraviny	Ano	97	0≤+4	-	M
Mrazicí prostor	Ne	-	-	-	-
0-hvězdička nebo výrobník ledu	Ne	-	-	-	-

1-hvězdička	Ne	-	-	-	-
2-hvězdička	Ne	-	-	-	-
3-hvězdička	Ne	-	-	-	-
4-hvězdička	Ano	16	-18	2	M
2-hvězdičkový prostor	Ne	-	-	-	-
Zásuvka s měnicí se teplotou	-	-	-	-	-
4-hvězdičkový prostor					
Funkce rychlého zmrazení			Ano		
Parametry zdroje světla:					
Typ světelného zdroje			-		
Třída energetické účinnosti			-		
Minimální doba trvání záruky nabízené výrobcem: 24 měsíců					
Dodatečné informace:					
Webový odkaz na web výrobce, kde jsou informace uvedené v bodě 4 (a) přílohy nařízení Komise (EU) 2019/2022 nalezeno: www.philco.cz					

* A (nejvyšší účinnost) až G (nejnižší účinnost)

TECHNICKÉ INFORMACE

Technické informace se nachází na typovém štítku na vnitřní straně spotřebiče a na energetickém štítku. QR kód, na dodaném energetickém štítku, obsahuje odkaz na registraci spotřebiče v databázi EU Eprel. Uchovejte si energetický štítek, návod k použití, spolu s dalšími dokumenty dodanými s přístrojem.

INFORMACE O TESTOVÁNÍ

Dodané zařízení je v souladu s EcoDesignem a EN62552-1:2020, EN 62552-2:2020, EN62552-3:2020, EN 60704-1:2020 + A11:2012, EN60704-2-14:2013+A11:2015+A1:2019. Požadavky na přístup vzduchu pro správný provoz přístroje, minimální vzdálenost od zdi a rozměry přístroje, jsou součástí tohoto návodu. V případě dalších dotazů se obraťte na výrobce.

PÉČE O ZÁKAZNÍKA A SERVIS

Vždy používejte pouze originální náhradní díly.

Označení modelu a sériové číslo naleznete na typovém štítku. Polohu typového štítku je možné změnit bez předchozího upozornění.

Originální náhradní díly pro některé konkrétní komponenty jsou k dispozici minimálně 7 nebo 10 let. Závísí to na typu komponentu a na uvedení posledního spotřebiče daného modelu na trh.

Při kontaktování našeho autorizovaného servisu mějte k dispozici modelové označení, sériové číslo a popis závady.

Pro stažení dokumentů navštivte www.philco.cz.

Pro nahlášení závady a získání dalších servisních informací navštivte <https://philco.cz/podpora-a-servis>.

Změny vyhrazeny bez předchozího upozornění.

POKYNY A INFORMACE TÝKAJÍCÍ SE LIKVIDACE POUŽITÝCH OBALOVÝCH MATERIÁLŮ

Obalové materiály zlikvidujte na veřejném místě pro likvidaci odpadu.

LIKVIDACE POUŽITÝCH ELEKTRICKÝCH A ELEKTRONICKÝCH SPOTŘEBIČŮ



Význam symbolu na výrobku, jeho příslušenství nebo obalu znamená, že s tímto výrobkem nesmí být zacházeno jako s komunálním odpadem. Tento výrobek zlikvidujte na příslušném sběrném místě pro recyklaci odpadu z elektrických a elektronických zařízení. Popřípadě je možné v některých státech Evropské unie nebo jiných evropských státech vrátit své výrobky místnímu prodejci, v případě koupě obdobného nového výrobku. Správná likvidace tohoto výrobku pomůže ušetřit cenné přírodní zdroje a pomoci při prevenci případného negativního vlivu na životní prostředí a lidské zdraví, ke kterému by mohlo dojít v důsledku nesprávné likvidace odpadu. Podrobnější informace získáte od místního úřadu nebo v nejbližším středisku pro sběr odpadu. Nesprávná likvidace tohoto typu odpadu může podléhat vnitrostátním předpisům o pokutách.

Pro podnikatelské subjekty v Evropské unii

Chcete-li zlikvidovat elektrické nebo elektronické zařízení, vyžádejte si potřebné informace od svého prodejce nebo dodavatele.

Likvidace v jiných státech mimo Evropské unie

Chcete-li zlikvidovat tento výrobek, vyžádejte si potřebné informace o správném způsobu likvidace od místních úřadů nebo svého prodejce.



Tento výrobek splňuje všechny základní požadavky nařízení EU, které se na něj vztahují.

Změny v textu, designu a technických údajích se mohou vyskytnout bez předchozího upozornění a vyhrazujeme si právo provést tyto změny.

Originál tohoto návodu k obsluze je v českém jazyce.



VAROVÁNÍ! BĚHEM POUŽÍVÁNÍ, SERVISU A LIKVIDACE VĚNUJTE POZORNOST SYMBOLU PODOBNÉMU NA LEVÉ STRANĚ, KTERÝ JE UMÍSTĚN NA ZADNÍ STRANĚ SPOTŘEBIČE (ZADNÍ PANEL NEBO KOMPRESOR) A SE ŽLUTOU NEBO ORANŽOVOU BARVOU.



JE TO RIZIKO POŽÁRNÍHO VAROVNÉHO SYMBOLU. JSOU ZDE HOŘLAVÉ MATERIÁLY POTRUBÍ A KOMPRESOR. BUĎTE DALEKO OD OHNĚ BUĎTE PROSÍM DALEKO OD ZDROJE OHNĚ BĚHEM POUŽÍVÁNÍ, OBSLUHY SPOTŘEBIČE A LIKVIDACE.

CHLADNIČKA

NÁVOD NA OBSLUHU

PHILCO



Famous for Quality the World Over

PTB 113 EW

**Vážený zákazník,
Ďakujeme, že ste si kúpili výrobok značky PHILCO. Aby mohol váš spotrebič slúžiť dobre, prečítajte si všetky pokyny uvedené v tomto návode na obsluhu.**

OBSAH

ČASŤ 1: BEZPEČNOSTNÉ POKYNY	2
ČASŤ 2: POPIS SPOTREBIČA	11
HLAVNÉ ČASTI SPOTREBIČA	11
ČASŤ 3: VYBALENIE CHLADNIČKY	12
ČASŤ 4: ČISTENIE PRED PRVÝM POUŽITÍM	12
ČASŤ 5: PRIESTOROVÉ POŽIADAVKY	12
ČASŤ 6: PRIPOJENIE ELEKTRICKEJ SIETI	13
ODPORÚČANÝ SPÔSOB UZEMNENIA	13
ČASŤ 7: VYROVNaNIE	13
ČASŤ 8: POUŽITIE SPOTREBIČA	14
NASTAVENIE TEPLoty (VOLITELNÉ)	14
SKLADOVANIE ČERSTVÝCH POTRAVÍN	14
SKLADOVANIE MRAZENÝCH POTRAVÍN	15
ODMRAZOVANIE	15
ČISTENIE	16
ČASŤ 9: VYPNUTIE SPOTREBIČA NA DLHŠIE OBDOBIE	16
ČASŤ 10: ZMENA SMERU OTVÁRANIA DVIEROK (VOLITELNÉ)	17
TIPY PRE ÚSPORU ENERGIE	22
KAŽDODENNÉ POUŽÍVANIE	22
ČASŤ 11: ODSTRÁNENIE MOŽNÝCH PROBLÉMOV	23
POKYNY KU SKLADOVANIU	24
ROZMIESTNENIE POTRAVÍN V SPOTREBIČI	25
ČASŤ 12: INFORMAČNÝ LIST	26
TECHNICKÉ INFORMÁCIE	28
INFORMÁCIE O TESTOVANÍ	28
STAROSTLIVOSŤ O ZÁKAZNÍKA A SERVIS	28
POKYNY A INFORMÁCIE TÝKAJÚCE SA LIKVIDÁCIE POUŽITÝCH OBALOVÝCH MATERIÁLOV	29
LIKVIDÁCIA POUŽITÝCH ELEKTRICKÝCH A ELEKTRONICKÝCH SPOTREBIČOV	29



Tento spotrebič bol testovaný v súlade so smernicami platnými v Európskej únii.

Tento spotrebič vyhovuje príslušným bezpečnostným predpisom pre elektrické spotrebiče platné v Európskej únii.

ČASŤ 1: BEZPEČNOSTNÉ POKYNY



Z DÔVODU VAŠEJ BEZPEČNOSTI A SPRÁVNEHO POUŽITIA, EŠTE PRED INŠTALÁCIOU A PRVÝM POUŽITÍM SPOTREBIČA, SI POZORNE PREČÍTAJTE TENTO NÁVOD NA OBSLUHU, VRÁTANE TÝCHTO TIPOV A VAROVANÍ. ABY STE ZABRÁNILI NEŽIADUCIM CHYBÁM A NEHODÁM, JE DÔLEŽITÉ ZAISTIŤ, ABY SA VŠETKY OSOBY POUŽÍVAJÚCE TENTO SPOTREBIČ DÔKLADNE ZOZNÁMILI S JEHO OBSLUHOU A BEZPEČNOSTNÝMI FUNKCIAMI. USCHOVAJTE SI TIETO POKYNY A V PRÍPADE PREDANIA SPOTREBIČA SA UISTITE, ČI ZOSTAL TENTO NÁVOD V SPOTREBIČI TAK, ABY BOL POUŽÍVANÝ V PRIEBEHU CELEJ ŽIVOTNOSTI A SPRÁVNE INFORMOVAL O SPRÁVNOM POUŽÍVANÍ SPOTREBIČA A BEZPEČNOSTI. Z BEZPEČNOSTNÝCH DÔVODOV A PRE OCHRANU MAJETKU DODRŽIAVAJTE POKYNY V TOMTO NÁVODE, PRETOŽE VÝROBCA NENESIE ŽIADNU ZODPOVEDNOSŤ ZA POŠKODENIA SPÔSOBENÉ NEDODRŽANÍM TÝCHTO POKYNOV.

- TENTO SPOTREBIČ MÔŽU POUŽÍVAŤ DETI OD 8 ROKOV A OSOBY S OBMEDZENÝMI FYZICKÝMI, SENZORICKÝMI ALEBO MENTÁLNYMI SCHOPNOSŤAMI, ALEBO BEZ DOSTATOČNÝCH SKÚSENOSTÍ A ZNALOSTÍ, AK SÚ POD DOHĽADOM ALEBO BOLI POUČENÉ O SPRÁVNOM A BEZPEČNOM POUŽITÍ SPOTREBIČA A POROZUMELI MOŽNÝM RIZIKÁM.
- DETI VO VEKU 3 AŽ 8 ROKOV MÔŽU VKLADAŤ A VYBERAŤ POTRAVINY Z CHLADIACICH SPOTREBIČOV.
- DETI SA SO SPOTREBIČOM NESMÚ HRAŤ.
- ČISTENIE A ÚDRŽBU NESMÚ VYKONÁVAŤ DETI BEZ DOZORU.

- AK JE NAPÁJACÍ KÁBEL POŠKODENÝ, JEHO VÝMENU ZVERTE ODBORNÉMU SERVISNÉMU STREDISKU, ABY SA ZABRÁNILO VZNIKU NEBEZPEČENEJ SITUÁCIE. SPOTREBIČ S POŠKODENÝM NAPÁJACÍM KÁBLOM JE ZAKÁZANÉ POUŽÍVAŤ.
- **UPOZORNENIE:** AK MÁ VÁŠ MODEL VÝROBNÍK ĽADU BEZ PRIPOJENIA PRÍVODU VODY, NAPLNTE HO LEN PITNOU VODOU.
- **VAROVANIE:** VETRACIE OTVORY V KRYTE SPOTREBIČA ALEBO V JEHO KONŠTRUKCII JE POTREBNÉ UDRŽIAVAŤ VOĽNÉ A BEZ PREKÁŽOK.
- **VAROVANIE:** NA URÝCHLENIE PROCESU ODMRAZOVANIA NEPOUŽÍVAJTE MECHANICKÉ ZARIADENIA ANI INÉ PROSTRIEDKY AKO SÚ TIE, KTORÉ SÚ ODPORÚČANÉ VÝROBCOM.
- **VAROVANIE:** NEPOŠKODZUJTE CHLADIACI OBVOD.
- **VAROVANIE:** VO VNÚTRI SKLADOVACIEHO PRIESTORU SPOTREBIČA NEPOUŽÍVAJTE ELEKTRICKÉ ZARIADENIA, POKIAĽ NEJDE O TYP, KTORÝ JE ODPORÚČANÝ VÝROBCOM.
- **VAROVANIE:** VO VNÚTRI SKLADOVACIEHO PRIESTORU SPOTREBIČA NEPOUŽÍVAJTE ELEKTRICKÉ ZARIADENIA, POKIAĽ NEJDE O TYP, KTORÝ JE ODPORÚČANÝ VÝROBCOM.



ZNAČKA ISO 7000-1701 (2004-01)
OZNAČUJE MÉDIUM POD TLAKOM.

TENTO SPOTREBIČ JE URČENÝ NA POUŽITIE V DOMÁCNOSTI A NA PODOBNÉ ÚČELY, AKO SÚ NAPRÍKLAD:

- KUCHYNKY PRE ZAMESTNANCOV V PREDAJNIACH, KANCELÁRIÁCH A INÝCH PRACOVNÝCH PROSTREDIACH;
- NA FARMÁCH A KLIENTMI HOTELOV, MOTELOV A INÝCH PROSTREDÍ REZIDENČNÉHO TYPU;
- PROSTREDIE UBYTOVANIA S RAŇAJKAMI;
- STRAVOVANIE A PODOBNÉ MALOOBCHODNÉ VYUŽITIA.

LEN NIEKTORÉ VYBRANÉ MODELY CHLADNIČIEK OBSAHUJÚ VÝROBNÍK ĽADU. ZABUDOVANÉ VÝROBNÍKY ĽADU MUSIA BYŤ NAINŠTALOVANÉ LEN VÝROBCOM ALEBO JEHO SERVISNÝM STREDISKOM.

- PRE VYBRANÉ MODELY S VÝROBNÍKOM ĽADU S PRIPOJENÍM K VODE PLATÍ: **UPOZORNENIE:** PRIPÁJA SA LEN K PRÍVODU PITNEJ VODY.

- **UPOZORNENIE:** SPOTREBIČ MUSÍ BYŤ PRIPOJENÝ PODĽA NÁVODU, ABY SA ZABRÁNILO NEBEZPEČENSTVU SPÔSOBENÉMU JEHO NESTABILITOU.

- **UPOZORNENIE:** CHLADIACI SYSTÉM OBSAHUJE CHLADIVO POD VYSOKÝM TLAKOM. NEMANIPULUJTE SO SYSTÉMOM. MUSÍ BYŤ OPRAVOVANÝ LEN KVALIFIKOVANOU OSOBOU.



VAROVANIE:

NEBEZPEČENSTVO POŽIARU/HORĽAVÉ MATERIÁLY!

OBSAHUJE CHLADIACI PLYN IZOBUTÁN

R600a

CHLADIVO

CHLADIACI IZOBUTÁN (R600a), KTORÝ JE OBSIAHNUTÝ V CHLADIACOM OKRUHU SPOTREBIČA, JE PRÍRODNÝ PLYN S VYSOKOU KOMPATIBILITOU SO ŽIVOTNÝM PROSTREDÍM, KTORÝ JE PREDSA LEN HORĽAVÝ. POČAS PREPRÁVY A INŠTALÁCIE SPOTREBIČA ZABRÁŇTE POŠKODENIU KOMPONENTOV CHLADIACEHO OKRUHU. CHLADIVO (R600a) JE HORĽAVÉ.

• **VAROVANIE** — CHLADNIČKY V IZOLÁCII OBSAHUJÚ CHLADIVO A CHLADIACE PLYNY. CHLADIVO A CHLADIACE PLYNY MUSIA BYŤ LIKVIDOVANÉ ODBORNE, PRETOŽE MÔŽU SPÔSOBIŤ PORANENIE OČÍ ALEBO VZNIETENIE. PRED VYKONANÍM SPRÁVNEJ LIKVIDÁCIE SA UISTITE, ČI NIE JE POTRUBIE CHLADIACEHO OKRUHU POŠKODENÉ.



SYMBOL  JE VAROVANIE A ZNAMENÁ TO, ŽE CHLADIVO A CHLADIACE PLYNY SÚ HORĽAVÉ.

VAROVANIE: RIZIKO POŽIARU HORĽAVÝCH MATERIÁLOV

AK BY DOŠLO K POŠKODENIU CHLADIACEHO OKRUHU:

- VYHNITE SA OTVORENÉMU OHŇU A ZDROJOM VZNIETENIA.
- DÔKLADNE VYVETRAJTE MIESTNOSŤ, V KTOREJ SA SPOTREBIČ NACHÁDZA.

JE NEBEZPEČNÉ MENIŤ ALEBO UPRAVOVAŤ SPOTREBIČ AKÝMKOLĽVEK SPÔSOBOM.

AKÉKOLĽVEK POŠKODENIE NAPÁJACIEHO KÁBLA MÔŽE VIESŤ K SKRATU, POŽIARU A/ALEBO ZASIAHNUTIU ELEKTRICKÝM PRÚDOM.

● **UPOZORNENIE:** CHLADIACI SYSTÉM OBSAHUJE CHLADIVO POD VYSOKÝM TLAKOM. NEMANIPULUJTE SO SYSTÉMOM. MUSÍ BYŤ OPRAVOVANÝ LEN KVALIFIKOVANOU OSOBOU.

● **UPOZORNENIE:** PRI UMIESTNENÍ SPOTREBIČA SA UISTITE, ČI NIE JE NAPÁJACÍ KÁBEL ZACHYTENÝ ALEBO POŠKODENÝ.

● **UPOZORNENIE:** NEUMIESTŇUJTE MNOHOPOČETNÉ PRENOSNÉ ZÁSUVKY ALEBO PRENOSNÉ ZDROJE NAPÁJANIA NA ZADNÚ STRANU SPOTREBIČA.



ELEKTRICKÁ BEZPEČNOSŤ

1. NAPÁJACÍ KÁBEL NESMIE BYŤ PREDLŽOVANÝ.
2. UISTITE SA, ČI NIE JE ZÁSTRČKA NAPÁJACIEHO KÁBLA POŠKODENÁ.
ROZDRVENÁ ALEBO POŠKODENÁ ZÁSTRČKA SA MÔŽE PREHRIEVAŤ A SPÔSOBIŤ POŽIAR.
3. UISTITE SA, ČI MÁTE VOĽNÝ PRÍSTUP K ZÁSTRČKE SPOTREBIČA.
4. NEŤAHAJTE ZA NAPÁJACÍ KÁBEL.

5. AK JE ELEKTRICKÁ ZÁSUVKA UVOĽNENÁ, NEPRIPÁJAJTE K NEJ ZÁSTRČKU. HROZÍ RIZIKO ZASIAHNUTIA ELEKTRICKÝM PRÚDOM ALEBO VZNIKU POŽIARU.
6. NESMIETE POUŽÍVAŤ TENTO SPOTREBIČ BEZ KRYTU VNÚTORNÉHO OSVETLENIA.
7. CHLADNIČKA JE URČENÁ LEN NA NAPÁJANIE Z JEDNEJ FÁZY STRIEDAVÉHO PRÚDU S HODNOTAMI 220-240 V~/50 Hz. AK JE KOLÍSANIE NAPÄTIA V MIESTE BYDLISKA POUŽÍVATEĽA TAK VEĽKÉ, ŽE PRESAHUJE VYŠŠIE UVEDENÉ LIMITY, Z BEZPEČNOSTNÝCH DÔVODOV POUŽITE PRE CHLADNIČKU AUTOMATICKÝ NAPÄŤOVÝ REGULÁTOR S VIAC AKO 350 W.

CHLADNIČKA MUSÍ BYŤ VYBAVENÁ ŠPECIÁLNOU NAPÁJACOU ZÁSTRČKOU NAMIESTO BEŽNEJ S INÝMI ELEKTRICKÝMI SPOTREBIČMI. ZÁSTRČKA MUSÍ ZODPOVEDAŤ ZÁSUVKE S UZEMŇOVACÍM KONTAKTOM.

BEŽNÉ POUŽITIE

- V SPOTREBIČI NESKLADUJTE HORĽAVÉ PLYNY ANI TEKUTINY. HROZÍ RIZIKO EXPLÓZIE.
- V SPOTREBIČI NEPOUŽÍVAJTE INÉ ELEKTRICKÉ SPOTREBIČE (NAPR. ELEKTRICKÝ VÝROBNÍK ZMRZLINY, MIXÉRY ATĎ.).
- PRI ODPÁJANÍ SPOTREBIČA Z ELEKTRICKEJ ZÁSUVKY, VŽDY ŤAHAJTE ZA ZÁSTRČKU. NEŤAHAJTE ZA KÁBEL.
- DO BLÍZKOSTI PLASTOVÝCH DIELOV TOHTO SPOTREBIČA NEDÁVAJTE HORÚCE PREDMETY.
- NEDÁVAJTE ŽIADNE PREDMETY DO BLÍZKOSTI VZDUCHOVÝCH OTVOROV V ZADNEJ STENE.
- BALENÉ MRAZENÉ POTRAVINY SKLADUJTE V SÚLADE S POKYNNI VÝROBCU MRAZENÝCH POTRAVIN.

- MALI BY STE STRIKTNE DODRŽIAVAŤ ODPORÚČANIA TÝKAJÚCE SA SKLADOVANIA V SPOTREBIČI OD VÝROBCU. POZRITE SI PRÍSLUŠNÉ POKYNY O SKLADOVANÍ.
- DO MRAZIACEHO PRIESTORU NEDÁVAJTE SÝTENÉ ALEBO ŠUMIVÉ NÁPOJE, PRETOŽE VYTVÁRAJÚ TLAK NA NÁDOBU, KTORÁ MÔŽE EXPLODOVAŤ, ČO MÔŽE VIESŤ K POŠKODENIU SPOTREBIČA.
- NEKONZUMUJTE MRAZENÉ POKRMY IHNEĎ PO VYBRATÍ Z MRAZNIČKY, MÔŽETE SA PORANIŤ.
- NEUMIESTŇUJTE SPOTREBIČ NA PRIAME SLNEČNÉ SVETLO.
- MAJTE HORIACE SVIEČKY, LAMPY A INÉ PREDMETY S OTVORENÝM OHŇOM V DOSTATOČNEJ VZDIALENOSTI OD SPOTREBIČA, ABY STE ZABRÁNILI RIZIKU POŽIARU.
- SPOTREBIČ JE URČENÝ NA USKLADNENIE POKRMOV A/ ALEBO NÁPOJOV V BEŽNEJ DOMÁCNOSTI PODĽA POPISU V NÁVODE. SPOTREBIČ JE ŤAŽKÝ. ZVÝŠTE POZORNOSŤ PRI JEHO PREMIESTŇOVANÍ.
- NEVYBERAJTE ANI SA NEDOTÝKAJTE POLOŽIEK V PRIESTORE MRAZENIA, AK MÁTE VLHKÉ/MOKRÉ RUKY, PRETOŽE TO MÔŽE VIESŤ K PORANENIAM POKOŽKY ALEBO POPÁLENINÁM Z MRAZU.
- NIKDY NEPOUŽÍVAJTE DNO, ZÁSUVKY, DVIERKA A POD. NA STÚPANIE ALEBO AKO PODPERU.
- MRAZENÉ POTRAVINY, NESMÚ BYŤ PO ROZMRAZENÍ OPĀTOVNE ZMRAZENÉ.
- NEKONZUMUJTE ĽADOVÉ NANUKY ALEBO KOCKY ĽADU IHNEĎ PO VYBRATÍ Z MRAZNIČKY, PRETOŽE BY STE SI TAK MOHLI PORANIŤ ÚSTA A PERY.
- ABY STE ZABRÁNILI PÁDU PREDMETOV A ZRANENIU ALEBO POŠKODENIU SPOTREBIČA, NEPREŤAŽUJTE PRIEHRADKY DVIEROK ANI DO ZÁSUVIEK NEDÁVAJTE NADMERNÉ MNOŽSTVO POTRAVÍN.

INŠTALÁCIA

DÔLEŽITÉ!

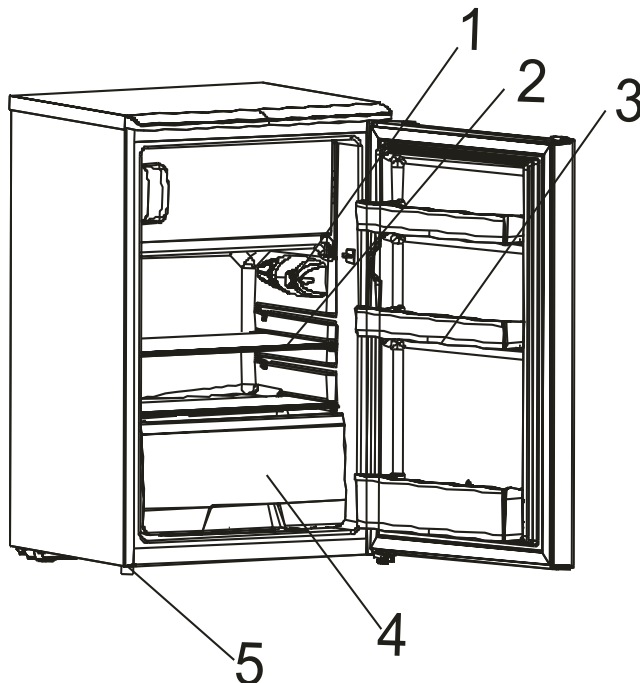
- PRI PRIPOJENÍ K ELEKTRICKEJ SIETI BUĎTE OPATRNÍ, DODRŽIAVAJTE POKYNY V TOMTO NÁVODE. SPOTREBIČ VYBALTE A SKONTROLUJTE HO Z HĽADISKA VIDITEĽNÝCH POŠKODENÍ.
- AK JE SPOTREBIČ POŠKODENÝ, NEPRIPÁJAJTE HO. OZNÁMTE PRÍPADNÉ POŠKODENIE V MIESTE ZAKÚPENIA. V TOMTO PRÍPADE SI NECHAJTE OBALOVÝ MATERIÁL.
- ODPORÚČA SA POČKAŤ NIEKOĽKO HODÍN, PRED PRIPOJENÍM SPOTREBIČA, ABY SA OLEJ V KOMPRESORE USTÁLIL.
- OKOLO SPOTREBIČA ZAISTITE DOSTATOČNÉ VETRANIE, V OPAČNOM PRÍPADE MÔŽE DOCHÁDZAŤ K PREHRIEVANIU. NA DOSIAHNUTIE DOSTATOČNÉHO VETRANIA DODRŽIAVAJTE POKYNY NA INŠTALÁCIU.
- AK JE TO MOŽNÉ, ZADNÁ STENA SPOTREBIČA BY NEMALA BYŤ VEĽMI BLÍZKO STENY A NEMAL BY SA DOTÝKAŤ HORÚCICH ČASŤÍ (KOMPRESOR, KONDENZÁTOR), ABY SA ZABRÁNILO RIZIKU POŽIARU, DODRŽIAVAJTE PRÍSLUŠNÉ POKYNY NA INŠTALÁCIU.
- SPOTREBIČ NESMIE BYŤ UMIESTNENÝ V BLÍZKOSTI RADIÁTOROV ALEBO SPORÁKOV.
- PO INŠTALÁCII SPOTREBIČA SA UISTITE, ČI JE SIEŤOVÁ ZÁSTRČKA ĽAHKO PRÍSTUPNÁ.
- ODLOŽTE VŠETKY OBALY MIMO DOSAHU DETÍ, PRETOŽE HROZÍ RIZIKO UDUSENIA.

- VNÚTORNÝ PRIESTOR VAŠEJ CHLADNIČKY / MRAZNIČKY MÔŽE PRED PRVÝM POUŽITÍM ZAPÁCHAŤ. JE TO NORMÁLNY JAV. ZÁPACH ZMIZNE, AKONÁHLE ZAČNE ZARIADENIE CHLADIŤ/ MRAZIŤ.
- PRED PRIPOJENÍM CHLADNIČKY / MRAZNIČKY SA UISTITE, ŽE NAPÄTIE V ELEKTRICKEJ SIETI ZODPOVEDÁ POŽIADAVKÁM NA PRIPOJENIE CHLADNIČKY / MRAZNIČKY. V PRÍPADE POCHYBNOSTÍ SA OBRÁŤTE NA KVALIFIKOVANÉHO ELEKTRIKÁRA.
- SPOTREBIČ MUSÍ BYŤ PRIPOJENÝ DO ZÁSUVKY S ODPOVEDAJÚCIM NAPÄTÍM A SPRÁVNE NAINŠTALOVANOU POISTKOVOU ZÁSUVKOU.
- CHLADNIČKA / MRAZNIČKA NESMIE BYŤ UMIESTNENÁ VONKU ALEBO VYSTAVENÁ DAŽĎU.
- CHLADNIČKA / MRAZNIČKA MUSÍ BYŤ UMIESTNENÁ NAJMENEJ 50 CM OD VYKUROVACÍCH TELIES, KÚRENIA RÚR, PLYNOVÝCH RÚR ATĎ.
- AK JE CHLADNIČKA S MRAZNIČKOU UMIESTNENÁ VEDĽA MRAZNIČKY, MUSÍ MEDZI NIMI BYŤ MIN. 2 CM ROZOSTÚP.
- NA CHLADNIČKU / MRAZNIČKU NEKLAĎTE ŤAŽKÉ VECI, NEZAKRÝVAJTE JU.
- NAD CHLADNIČKOU / MRAZNIČKOU MUSÍ BYŤ MIN. 150 MM VOĽNÝ PRIESTOR.
- TENTO SPOTREBIČ JE VYROBENÝ NA POUŽITIE V DOMÁCNOSTIACH A JE VHODNÝ IBA PRE CHLADENIE/ MRAZENIE POTRAVÍN. NIE JE VHODNÝ PRE KOMERČNÉ POUŽITIE ALEBO NA USKLADNENIE LÁTOK S VÝNIMKOU POTRAVÍN. VÝROBCA NENESIE ZODPOVEDNOSŤ ZA ŽIADNE STRATY, SPÔSOBENÉ NEVHODNÝM POUŽITÍM SPOTREBIČA.

ČASŤ 2: POPIS SPOTREBIČA

Tento typ chladničky sa používa predovšetkým v miestach, ako sú hotely, kancelárie, študentské domovy. Je vhodný na chladenie a konzervovanie potravín, ako sú nápoje a rôzne druhy ovocia. Medzi jeho výhody patrí malá veľkosť, nízka hmotnosť, nízka spotreba elektrickej energie a ľahké použitie.

Hlavné časti spotrebiča



- 1 Termostat
- 2 Sklenená polica
- 3 Plastová polica
- 4 Zásuvka na zachovanie sviežosti potravín
- 5 Nastaviteľná nožička

Poznámky:

Chladiaca časť (chladnička) - Najefektívnejšie využitie energie zabezpečuje konfigurácia so zásuvkami v spodnej časti spotrebiča a policami rovnomerne rozmiestnenými. Smer otvárania dverí neovplyvňuje spotrebu energie.

Mraznička - Najefektívnejšie využitie energie je zabezpečené v konfigurácii, kde sú zásuvky správne vložené.

ČASŤ 3: VYBALENIE CHLADNIČKY

VAROVANIE!

S chladničkou by vždy mali manipulovať minimálne dve osoby. V opačnom prípade môže dôjsť k zraneniu.

- Pred použitím odstráňte z chladničky všetky pásky a štítiky (okrem výrobného štítka).
- Zvyšky pásky alebo lepidla jemne zotrite palcom.
- Zvyšky pásky alebo lepidla je možné tiež ľahko odstrániť prstami namočenými v troche tekutého mydla. Potom miesto umyte teplou vodou a vysušte.
- Na odstránenie zvyškov pásky alebo lepidla nepoužívajte ostré nástroje, alkohol, horľavé kvapaliny ani abrazívne čistiace prostriedky, pretože by mohlo dôjsť k poškodeniu povrchu chladničky.
- Pri manipulácii nenakláňajte chladničku pod uhlom vyšším ako 45°. Chladnička by sa stále mala nachádzať vo zvislej polohe.

ČASŤ 4: ČISTENIE PRED PRVÝM POUŽITÍM

Po odstránení obalového materiálu (hlavne peny medzi vonkajším kondenzátorom a skrinkou) vyčistite vnútorný priestor chladničky. Až potom je možné chladničku používať.

ČASŤ 5: PRIESTOROVÉ POŽIADAVKY

VAROVANIE!

Uchovávajúte horľavé materiály, ako je napríklad benzín, v dostatočnej vzdialenosti od chladničky. V opačnom prípade môže dôjsť k výbuchu, poraneniu, popáleninám alebo úmrtiu osôb.

- Aby bola zaistená správna ventilácia chladničky, ponechajte medzi stenou a bočnou stranou chladničky minimálne 200 mm voľného priestoru, medzi stenou a zadnou stranou chladničky tiež minimálne 200 mm voľného priestoru a medzi hornou stranou chladničky a stropom minimálne 300 mm voľného priestoru.
- Ak chcete umiestniť chladničku vedľa pevnej steny, ponechajte na strane dverových závesov dostatok miesta, aby bolo možné dvierka bez problémov otvoriť.
- Nikdy neumiestňujte chladničku do blízkosti tepelných zdrojov. Nevystavujte ju priamym slnečným lúčom.

ČASŤ 6: PRIPOJENIE ELEKTRICKEJ SIETI

VAROVANIE!

NEODSTRAŇUJTE UZEMNENIE.
NEPOUŽÍVAJTE ADAPTÉR.
NEPOUŽÍVAJTE PREDLŽOVACÍ KÁBEL.

Nedodržanie týchto pokynov môže mať za následok smrť, požiar alebo úraz elektrickým prúdom.

Pred presunutím chladničky na stáله miesto sa uistite, že je k dispozícii vhodné pripojenie k elektrickej sieti.

Odporúčaný spôsob uzemnenia

Odporúčame pripojiť chladničku k zdroju napájania s hodnotou AC220 -240 V /50 Hz s poistkou s hodnotou 10 ampérov. Chladnička musí byť správne uzemnená. Odporúčame Vám pripojiť chladničku k samostatnému okruhu, ku ktorému nebudú pripojené žiadne ďalšie spotrebiče. Použite zásuvku, ktorou nie je možné vypnúť pomocou vypínača alebo ťahaním za retiazku. Nepoužívajte predlžovací kábel.

POZNÁMKA!

Pred akoukoľvek inštaláciou odpojte chladničku od elektrickej siete. Po dokončení inštalácie pripojte chladničku k elektrickej sieti a vykonajte požadované nastavenia.

ČASŤ 7: VYROVNANIE

Ak počas inštalácie nevyrovnáte chladničku, nemusia sa správne zatvárať dverka a zároveň nemusia správne fungovať tesnenia, čo môže viesť k problémom s chladením, mrazením alebo vlhkosťou. Je veľmi dôležité, aby bola chladnička správne vyrovnaná - len tak bude fungovať správne. Na vyrovnanie chladničky slúži nastaviteľná nožička v jej prednej časti. Otočením nastaviteľnej nožičky v smere hodinových ručičiek nadvihnete príslušnú stranu chladničky, otočením nastaviteľnej nožičky proti smeru hodinových ručičiek túto stranu znížite.

POZNÁMKA!

Vyrovnanie chladničky je ľahšie, ak jedna osoba tlačí na hornú časť chladničky, zatiaľ čo druhá osoba nastavuje nastaviteľnú nožičku.

ČASŤ 8: POUŽITIE SPOTREBIČA

Aby ste dosiahli čo najlepšie výsledky pri používaní chladničky, je dôležité, aby ste ju používali správne.

Skratka pre rozsah teplôt okolia, tj SN, N, ST alebo T, pri určovaní klimatických tried:

1. rozšírené mierne pásmo (SN) má teplotný rozsah od 10 °C do 32 °C;
2. mierna zóna (N) má teplotný rozsah 16 °C až 32 °C;
3. subtropické pásmo (ST) má teplotný rozsah od 18 °C do 38 °C;
4. tropická zóna (T) má teplotný rozsah 18 °C až 43 °C.

Nastavenie teploty (voliteľné)

Ovládacie prvky chladničky a mrazničky sú umiestnené na priehradke chladiaceho priestoru. Keď prvýkrát nainštalujete chladničku, nastavte ovládač termostatu na hodnotu 3. Pred vložením potravín nechajte chladničku úplne vychladiť. Najlepšie je pred vložením potravín počkať 24 hodín.

Ovládačom teploty nastavujete teplotu. Čím vyššie je nastavenie, tým dlhšie bude kompresor pracovať, aby ste udržali nižšiu teplotu.

Keď je ovládač termostatu nastavený do polohy OFF, chladnička nepracuje.

Ovládacie prvky chladničky a mrazničky sú umiestnené na priehradke chladiaceho priestoru. Keď prvýkrát nainštalujete chladničku, nastavte ovládač termostatu na „“. Pred vložením potravín nechajte chladničku úplne vychladiť. Najlepšie je pred vložením potravín počkať 24 hodín.

Ovládačom teploty nastavujete teplotu. Nastavením polohy „cool“ zvolíte najvyššiu teplotu a nastavením polohy „cooler“ zvolíte najnižšiu teplotu.

Keď je ovládač termostatu nastavený do polohy OFF, chladnička nepracuje.

Skladovanie čerstvých potravín

Potraviny skladujte v chladničke v obale, ktorý je vzduchotesný a neprepúšťa ani vlhkosť. Zabráňte tým zápachu a prenosu chutí v chladničke.

- **Ovocie**

Umyte, nechajte vyschnúť a skladujte v chladničke v plastových vreckách v zásuvke na zachovanie sviežosti potravín.

- **Listová zelenina**

Odstráňte obal a orežte alebo odtrhnite odreté a odfarbené miesta, opláchnite v studenej vode.

Umiestnite do plastového vrečka alebo plastovej nádoby a skladujte v zásuvke na zachovanie sviežosti potravín.

- **Ryby**

Čerstvé ryby spotrebuje v deň ich zakúpenia.

- **Mäso**

Väčšinu mäsa skladujte v originálnom balení, ak je vzduchotesné a odolné voči vlhkosti.

V prípade potreby zabalte do nového obalu.

- **Ostatné**

Potraviny zabalte do plastového vrečka alebo hliníkovej fólie.

Môžete použiť aj plastové nádoby s pevným krytom.

Skladovanie mrazených potravín

Priestor pre mrazničky je určený na skladovanie mrazených potravín a na zmrazovanie potravín.

Úspešné zmrazenie závisí od správneho balenia. Potraviny zabaľte tak, aby do balenia nevnikol vzduch ani vlhkosť. Ak tak neurobíte, môžu sa zmiešať vône a chute uskladnených potravín a mrazené potraviny sa môžu vysušiť.

POZNÁMKA!

Do mrazničky nikdy nekladajte balené potraviny alebo nápoje.

Pre čo najlepší výkon nechajte v mrazničke a chladničke dostatok priestoru na cirkuláciu vzduchu okolo jednotlivých balíkov potravín. Nechajte tiež dostatok priestoru vpredu tak, aby sa dvere mohli správne zatvárať.

Odmrazovanie

• **Priestor chladničky**

Proces odmrázovania je automatický pomocou tlačidla termostatu.

Roztavená námraza prúdi do odkvapkávacej misky a automaticky sa odparuje.

• **Priestor mrazničky**

Odmrazovanie v mraziacom priestore je potrebné vykonať manuálne.

- Otočte ovládačom termostatu do polohy OFF a nechajte dvere mrazničky otvorené.
- Vyberte všetky potraviny, zásobník na kocky ľadu a poličku alebo ich umiestnite do priestoru chladničky.
- Vyčistite a utrite roztopenú námrazu utierkou.
- Po rozmrazení otočte ovládačom termostatu do pôvodnej polohy.

POZNÁMKA!

Aby ste predišli poškodeniu steny mraziaceho priestoru, nepoužívajte na odstránenie námrazy alebo na oddelenie mrazených potravín ostré predmety.

Čistenie

1. Čistenie spotrebiča

- Prach za chladničkou a na zemi musíte pravidelne utierať, aby sa zlepšil chladiaci účinok spotrebiča a úspora energie.
- Pravidelne kontrolujte tesnenie dvierok, aby ste sa uistili, že na ňom nie sú žiadne nečistoty. Tesnenie dvierok vyčistíte mäkkou utierkou navlhčenou v mydlovej vode alebo zriedenom čistiacom prostriedku.
- Vnútro chladničky musíte pravidelne čistiť, aby ste zabránili tvorbe pachov.
- Pred čistením vnútra spotrebiča vypnite napájanie, vyberte všetky potraviny, nápoje, police, zásuvky atď.
- Na čistenie vnútra chladničky použite jemnú utierku alebo špongiu s dvomi polievkovými lyžicami jedlej sódy a teplou vodou. Potom opláchnite čistou vodou a utrite dosucha. Pred čistením otvorte dvierka a nechajte ich prirodzene vyschnúť.
- V častiach, ktoré sa ťažko čistia (napr. úzke medzery alebo rohy), vám odporúčame ich pravidelne utierať mäkkou utierkou alebo vatovými tyčinkami, aby sa v týchto priestoroch nezachytili žiadne baktérie.
- Nepoužívajte mydlo, saponát, čistiaci prášok, sprejový čistič atď., pretože môžu spôsobiť zápach vo vnútri chladničky alebo kontaminovať potraviny.
- Rám na fľaše, police a zásuvky čistite mäkkou utierkou navlhčenou v mydlovej vode alebo v zriedenom čistiacom prostriedku. Vysušte mäkkou utierkou alebo nechajte prirodzene vysušiť.
- Vonkajší povrch chladničky utrite mäkkou utierkou navlhčenou v mydlovej vode alebo saponáte a potom vysušte.
- Na čistenie nepoužívajte tvrdé kefy, drôtené kefy, abrazíva (napr. zubné pasty), organické rozpúšťadlá (napr. alkohol, acetón, banánový olej atď.), vriacu vodu, kyslé alebo zásadité predmety, ktoré môžu poškodiť vnútro alebo povrch chladničky. Vriaca voda a organické rozpúšťadlá, ako napríklad benzén, môžu zdeformovať alebo poškodiť plastové časti.
- Počas čistenia spotrebič nevyplachujte priamo vodou ani inými kvapalinami, aby ste zabránili skratom. Spotrebič neponárajte do vody.

2. Tipy na čistenie

Na vonkajšej strane spotrebiča sa môže objaviť kondenzácia. Môže to byť spôsobené zmenou teploty v miestnosti. Utrite všetky zvyšky vlhkosti. Ak problém pretrváva, požiadajte o pomoc kvalifikovaného servisného technika.

ČASŤ 9: VYPNUTIE SPOTREBIČA NA DLHŠIE OBDOBIE

Ak chladničku nebudete dlhší čas používať, postupujte nasledovne:

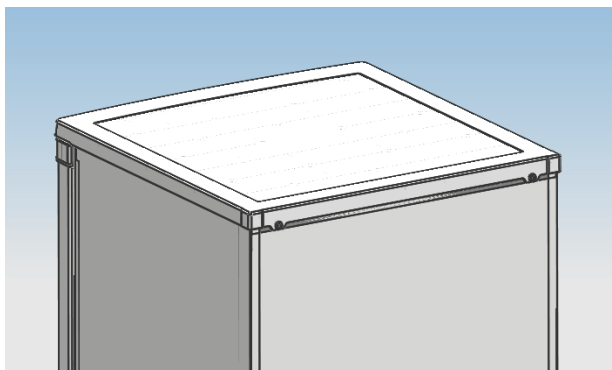
Odpojte chladničku od hlavného napájania vyťahnutím zástrčky zo sieťovej zásuvky.

Vyčistite a vysušte vnútro chladničky podľa návodu na čistenie chladničky.

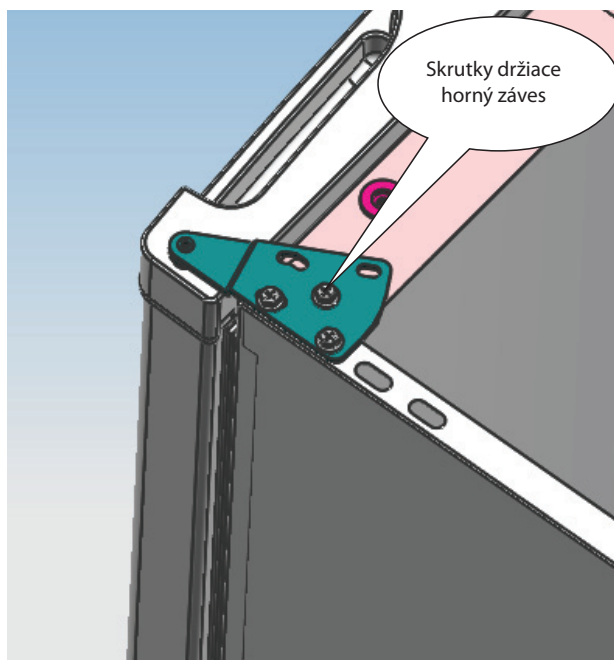
Keď sa chladnička nepoužíva, nechajte dvierka otvorené, aby sa zabránilo tvorbe nepríjemných pachov.

ČASŤ 10: ZMENA SMERU OTVÁRANIA DVIEROK (VOLITEĽNÉ)

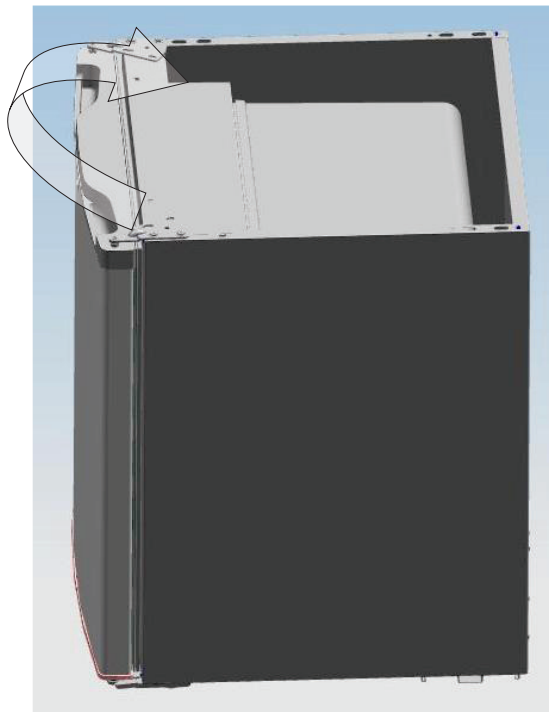
- 1 Pomocou krížového skrutkovača vyskrutkujte skrutky, ktorými je upevnený kryt chladničky, a zložte tento kryt.



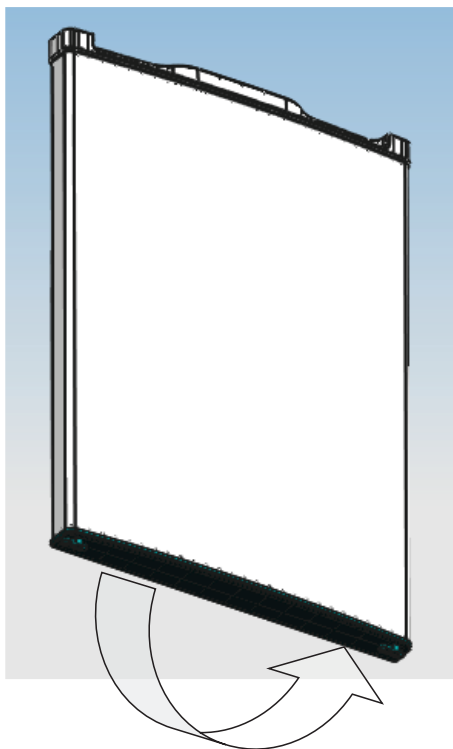
- 2 Pomocou krížového skrutkovača vyskrutkujte skrutky, ktorými je upevnený horný záves.



- 3 Presuňte horný záves, obmedzovač uhla otvárania dveriek a puzdro ložiska dveriek na druhú stranu.
A Presuňte horný záves na druhú stranu.



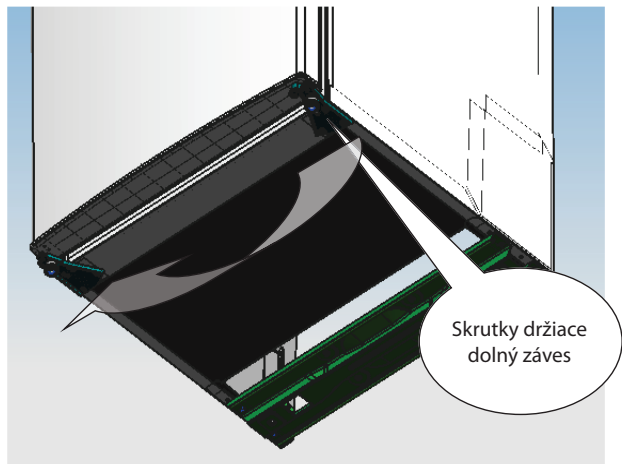
- B Presuňte puzdro ložiska dveriek a obmedzovač uhla otvorenia dveriek na druhú stranu.



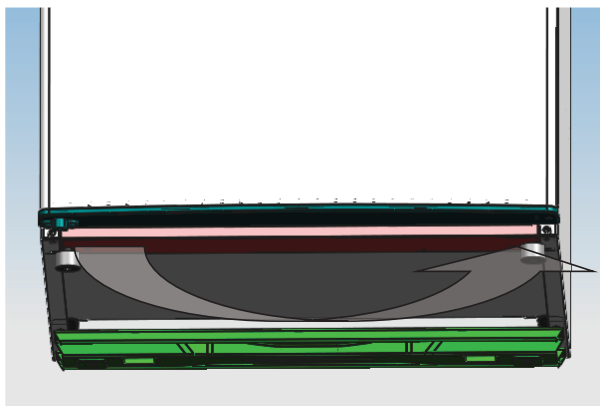
- 4 Pomocou krížového skrutkovača vyskrutkujte skrutky držiace dolný záves, presuňte záves na druhú stranu a upevnite ho pomocou skrutiek.

POZNÁMKA!

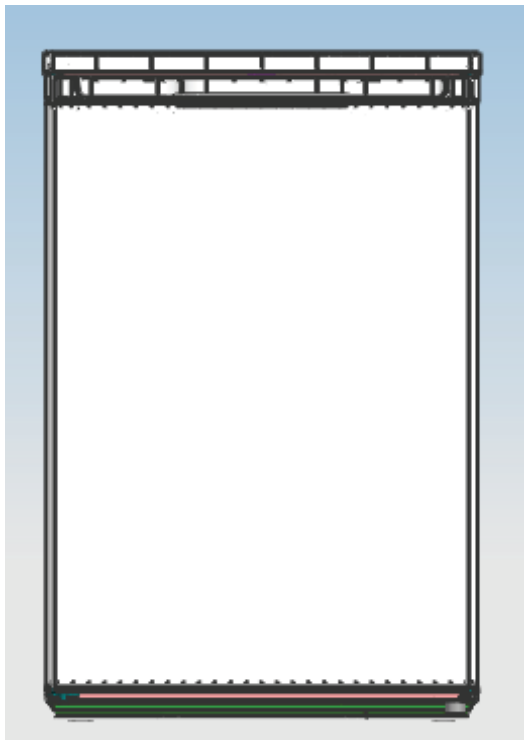
Nenakláňajte chladničku vo väčšom uhle ako 45°.



- 5 Presuňte vyrovnávacie zariadenie na druhú stranu a nastavte ho tak, aby sa chladnička nachádzala vo vodorovnej polohe.



6 Umiestnite dvierka do správnej polohy, upevnite horný záves a potom horný kryt.



Uistite sa, že je spotrebič odpojený od elektrickej siete a prázdny. Nastavte obidve vyrovnávacie nožičky do najvyššej polohy. Odporúčame, aby Vám niekto pomohol.

POZNÁMKA!

Aby bolo možné demontovať dvierka, je nutné spotrebič nakloniť dozadu.

Oprite spotrebič zadnou časťou v mieste pod horným krytom o niečo pevné, napr. o kreslo.

Neumiestňujte spotrebič do vodorovnej polohy, pretože by mohlo dôjsť k poškodeniu chladiaceho systému.

Tipy pre úsporu energie

- Spotrebič by mal byť umiestnený v najchladnejšej časti miestnosti, mimo dosahu tepelných zdrojov a priamych slnečných lúčov.
- Teplé potraviny alebo pokrmy nechajte pred vložением do spotrebiča vychladnúť na izbovú teplotu. Preťaženie spotrebiča núti kompresor pracovať dlhšie. Potraviny, ktoré sa zmrazujú veľmi pomaly, strácajú na kvalite alebo sa môžu skaziť.
- Uistite sa, že potraviny sú dobre zabalené. Pred vložением do spotrebiča ich utrite, znížite tak tvorbu námrazy v spotrebiči.
- Vnútorý priestor spotrebiča by ste nemali vykladať hliníkovou fóliou, voskovým papierom alebo papierovými utierkami. Tieto materiály narúšajú cirkuláciu studeného vzduchu a spotrebič tak pracuje menej efektívne.
- Potraviny usporiadajte a označte, aby ste ich potom ľahko našli a nenechávali dvierka spotrebiča dlho otvorené. Vyberte čo najviac položiek naraz a zatvorte dvierka čo najskôr.

Každodenné používanie

Aby sa zabránilo kontaminácii potravín, rešpektujte prosím nasledujúce inštrukcie:

- Dlhodobé otváranie dverí môže spôsobiť výrazný nárast teploty v priestore spotrebiča.
- Pravidelne čistite povrchy, ktoré môžu prísť do styku s potravinami a prístupné odvodňovacie systémy.
- Nádoby na vodu vyčistite, ak neboli používané dlhšie ako 48 hodín; prepláchnite vodu ak nie je voda odobraná niekoľko dní.
- Surové mäso a ryby skladujte vo vhodných nádobách v chladničke, by nedochádzalo ku kontaktu s inými potravinami alebo na ne nepadali kvapky.
- Dvojhviezdičkové priestory pre mrazené potraviny (ak sa uvádzajú v sú vhodné na skladovanie predmrazených potravín, skladovanie alebo výrobu zmrzliny a výrobu kociek ľadu.
- Jedno, dvoj a trojhviezdičkové priestory nie sú vhodné na mrazenie čerstvých potravín.
- Ak sa spotrebič nechá prázdný dlhý čas, vypnite ho, odmrazte, vyčistite, vysušte a nechajte dvierka otvorené, aby sa zabránilo tvorbe plesní vo vnútri spotrebiča.

Umiestnite rôzne potraviny do rôznych priehradiek podľa nižšie uvedenej tabuľky

Priestory chladničky	Druh potraviny
Dvere alebo balkóny chladničky	<ul style="list-style-type: none">• Potraviny s prírodnými konzervačnými látkami , ako napríklad džemy , šťavy , nápoje , korenia .• Neskladujte skazitelné potravín .
Zásuvka (zásuvka na salát)	<ul style="list-style-type: none">• Ovocie , bylinky a zelenina by sa mali umiestniť oddelene do nádoby na zeleninu .• Neskladujte banány , cibuľu , zemiaky , cesnak v chladničky.
Polica chladničky - dno Chladič (box / zásuvka)	<ul style="list-style-type: none">• Surové mäso, hydina, ryby (skrátene - obdobie skladovania).
Polica na chladničky - stred	<ul style="list-style-type: none">• Mliečne výrobky, vajcia.
Polica na chladničku - vrch	<ul style="list-style-type: none">• Potraviny, ktoré nepotrebnú varenie , ako sú potraviny určené na priamu spotrebu , jemné mäso , zvyšky.

ČASŤ 11: ODSTRÁNENIE MOŽNÝCH PROBLÉMOV

Ak dochádza k problémom s vašim spotrebičom, alebo sa domnievate, že spotrebič nefunguje správne, môžete vykonať niekoľko jednoduchých krokov skôr, ako zavoláte servis.



UPOZORNENIE!

Nesnažte sa opravovať spotrebič sami. Ak problém pretrváva aj potom, ako vykonáte nižšie uvedené kroky, kontaktujte kvalifikovaného elektrikára, autorizované servisné stredisko alebo predajňu, v ktorej ste si tento spotrebič zakúpili.

Dôležité! Počas normálneho používania sa vyskytujú určité zvuky (kompresor, cirkulácia chladiva).

Problém	Možná príčina	Riešenie
Spotrebič nefunguje.	Ovládač na reguláciu teploty je nastavený na číslo „0“.	Nastavte ovládač na iné číslo, aby ste tak spotrebič zapli.
	Sieťová zástrčka nie je zapojená alebo je uvoľnená.	Zasuňte sieťovú zástrčku.
	Poistka je vypálená alebo je chybná.	Skontrolujte poistku, v prípade potreby ju vymeňte.
	Zásuvka je chybná.	Poruchy v elektrickej sieti musí opraviť elektrikár.
Potraviny sú veľmi teplé.	Teplota nie je správne nastavená.	Pozrite sa prosím do úvodnej časti o nastavení teploty.
	Dvierka boli otvorené dlhší čas.	Dvierka otvárajte iba tak dlho, ako je to potrebné.
	Za posledných 24 hodín bolo do spotrebiča vložené veľké množstvo teplých potravín.	Dočasne otočte ovládač regulácie teploty na chladnejšie nastavenie.
	Spotrebič je blízko zdroja tepla.	Pozrite si časti ohľadom umiestnenia inštalácie.
Spotrebič chladí veľmi.	Teplota je veľmi nízka.	Otočte ovládač regulácie teploty na teplejšie nastavenie.
Nezvyčajné zvuky.	Spotrebič nestojí rovno.	Nastavte nožičky spotrebiča.
	Spotrebič sa dotýka steny alebo iných predmetov.	Spotrebič mierne odtiahnite.
	Komponent, napr. rúrka na zadnej strane spotrebiča sa dotýka inej časti spotrebiča alebo steny.	V prípade potreby tento komponent opatrne ohnite.
Nefunkčné svetlo.	-	Ohľadne opravy či výmeny kontaktujte servisné stredisko.

Ak sa porucha vyskytne znova, obráťte sa na servisné stredisko.

Tieto údaje sú potrebné, aby vám pomohli rýchlo a správne. Tu napíšte potrebné údaje, pozrite si typový štítok.

Pokyny ku skladovaniu

Rešpektujte prosím nasledujúce pokyny, aby nedošlo ku kontaminácii potravín:

- Dlhé otváranie dvierok môže spôsobiť výrazné zvýšenie teploty v oddieloch spotrebiča.
- Pravidelne čistite povrchy, ktoré môžu prísť do styku s potravinami a prístupnými drenážnymi systémami.
- Surové mäso a ryby umiestnite do vhodných nádob v chladničke, aby sa nedostali do kontaktu s inými potravinami ani na ne nekvapkala.
- **Dvojhviezdičkové priestory pre mrazené potraviny sú vhodné pre skladovanie vopred zmrazených potravín, skladovanie alebo výrobu zmrzliny a výrobu kociek ľadu.
- *Jedno -, dvoch** - a trojhviezdičkové ***priestory nie sú vhodné pre zmrazovanie čerstvých potravín.

Č.	TYP priestoru	Cieľová teplota skladovania [°C]	Vhodné potraviny
1	Chladnička	+2 ~ +8	Vajcia, varené pokrmy, balené potraviny, ovocie a zelenina, mliečne výrobky, koláče, nápoje a iné potraviny, ktoré nie sú vhodné na mrazenie.
2	(***)*- Mraznička	≤ -18	Morské plody (ryby, krevety, mäkkýše), čerstvé výrobky zo sladkovodných rýb a mäsové výrobky (odporúčaná doba sú 3 mesiace, čím je doba skladovania dlhšia, tým je horšia chuť a nutričné hodnoty), vhodné pre čerstvé zmrazené potraviny.
3	***- Mraznička	≤ -18	Morské plody (ryby, krevety, mäkkýše), čerstvé výrobky zo sladkovodných rýb a mäsové výrobky (odporúčaná doba sú 3 mesiace, čím je doba skladovania dlhšia, tým je horšia chuť a nutričné hodnoty), vhodné pre čerstvé zmrazené potraviny.
4	** - Mraznička	≤ -12	Morské plody (ryby, krevety, mäkkýše), čerstvé výrobky zo sladkovodných rýb a mäsové výrobky (odporúčaná doba sú 2 mesiace, čím je doba skladovania dlhšia, tým je horšia chuť a nutričné hodnoty), nie je vhodné pre čerstvé zmrazené potraviny.
5	*- Mraznička	≤ -6	Morské plody (ryby, krevety, mäkkýše), čerstvé výrobky zo sladkovodných rýb a mäsové výrobky (odporúčaná doba je 1 mesiac, čím je doba skladovania dlhšia, tým je horšia chuť a nutričné hodnoty), nie je vhodné pre čerstvé zmrazené potraviny.
6	0 - hviezdičiek	-6 ~ 0	Čerstvé bravčové mäso, hovädzie mäso, ryby, kuracie mäso, niektoré balené spracované potraviny atď. (Odporúča sa konzumovať v ten istý deň, pokiaľ možno neskladovať dlhšie ako 3 dni). Čiastočne zabalené spracované potraviny (nezamrzajúce potraviny)

7	Chladenie	-2 ~ +3	Čerstvé/mrazené bravčové mäso, hovädzie mäso, kuracie mäso, čerstvé výrobky zo sladkovodných rýb, atď. (7 dní pri teplote pod 0 °C a pri teplote nad 0 °C sa odporúča konzumovať v ten istý deň, pokiaľ možno neskladovať dlhšie ako 2 dni). Morské plody (pri teplote pod 0 °C skladovať 15 dní, neodporúča sa skladovať pri teplote nad 0 °C).
8	Čerstvé potraviny	0 ~ +4	Čerstvé bravčové mäso, hovädzie mäso, ryby, kuracie mäso, varené potraviny, atď. (Odporúča sa konzumovať v ten istý deň, pokiaľ možno neskladovať dlhšie ako 3 dni).
9	Víno	+5 ~ +20	Červené víno, biele víno, šumivé víno atď.

Poznámka: Uchovávajúte rôzne potraviny podľa priestorov alebo cieľovej teploty skladovania zakúpených výrobkov.

- Ak necháte chladiaci spotrebič dlhší čas prázdny, vypnite ho, odmrzajte, vyčistite, vysušte a nechajte dverka otvorené, aby ste tak zabránili tvorbe plesní v spotrebiči.

Rozmiestnenie potravín v spotrebiči

- Zemiaky, cibuľa a cesnak by nemali byť uchovávané v chladničke / mrazničke.
- Za normálnych okolností je dostatočné nastavenie teploty v chladničke na + 4 °C.
- Teplota chladničky by mala byť v rozsahu 0 °C až 8 °C. Čerstvé potraviny skladované pod 0 °C zamrznú, hnijú. Bakteriálna záťaž sa zvyšuje pri skladovaní nad 8 °C a potraviny sa kazia.
- Nedávajte do chladničky / mrazničky teplé alebo horúce jedlá, počkajte, až vychladnú na izbovú teplotu. Horúce jedlá zvyšujú teplotu vo vnútri chladničky/mrazničky a môžu byť príčinou zbytočného kazenia jedla a prípadnej otravy skazeným jedlom.
- Mäso, ryby atď. By mali byť skladované v chladiacej priehradke na to určenej - ak je k dispozícii.
- Ovocie a zelenina by mali byť skladované v chladiacej priehradke na to určenej - ak je k dispozícii.
- Aby ste zabránili kontaminácii mäsových výrobkov baktériami, ovocie a zeleninu neskladujte v spoločnej priehradke. To isté platí aj opačne - kontaminácia ovocia a zeleniny baktériami mäsových výrobkov.

ČASŤ 12: INFORMAČNÝ LIST

Informačný list

PHILCO 

DELEGOVANÉ NARIADENIE KOMISIE (EÚ) 2019/2016

Názov alebo ochranná známka výrobcu: PHILCO

Adresa výrobcu: PHILCO, FAST ČR, a.s. U Sanitasy 1621 Říčany 251 01, Czech Republic

Identifikačná značka modelu: PTB 113 EW

Typ chladiaceho zariadenia: Jednodverová chladnička s mrazničkou

Spotrebič s nízkym hlukom:	Nie	Typ spotrebiča:	voľne stojaci
Zariadenie na skladovanie vína:	Nie	Ostatné chladiace spotrebiče:	Áno

Základné špecifikácie:

Parameter	Hodnota	Parameter	Hodnota
Rozmery v mm	Výška	Celkový objem (dm ³ alebo l)	113
	Šírka		
	Hĺbka		
Index energetickej účinnosti (EEI)	100	Trieda energetickej účinnosti*	E
Akustický zvuk emisie hluku (dB(A) re 1 pW)	39	Trieda akustických emisií hluku	C
Ročná spotreba energie (kWh/rok)	142	Klimatická trieda:	N/ST
Minimálna okolitá teplota (°C), pre ktorú je chladiace zariadenie vhodné	16	Maximálna okolitá teplota (°C), pre ktorú je chladiace zariadenie je vhodné	38
Nastavenie spotrebiča na zimu	Nie		

Špecifikácia priestoru:

Typ priestoru	Parametre a hodnoty chladiaceho priestoru			
	Objem spotrebiča (dm ³ alebo l)	Odporúčané nastavenie teploty pre optimalizované skladovanie potravín (°C)	Mraziaca kapacita (kg/24h)	Typ odmrazovania: (auto-odmrazovanie = A, manuálne odmrazovanie = M)
Komora/špajza	Nie	-	-	-
Skladovanie vína	Nie	-	-	-
Pivničný priestor	Nie	-	-	-
Čerstvé potraviny	Áno	97	0≤+4	M
Mraziaci priestor	Nie	-	-	-
0-hviezdičiek alebo výrobnik ľadu	Nie	-	-	-

1-hviezdička	Nie	-	-	-	-
2-hviezdičky	Nie	-	-	-	-
3-hviezdičky	Nie	-	-	-	-
4-hviezdičky	Áno	16	-18	2	M
2-hviezdičkový priestor	Nie	-	-	-	-
Zásuvka s meniacou sa teplotou	-	-	-	-	-
4-hviezdičkový priestor					
Funkcia rýchleho zmrazenia			Áno		
Parametre svetelného zdroja:					
Typ svetelného zdroja			-		
Trieda energetickej účinnosti			-		
Minimálna doba trvania záruky ponúkanej výrobcem: 24 mesiacov					
Dodatočné informácie:					
Webový odkaz na web výrobcu, kde sú informácie uvedené v bode 4 (a) prílohy nariadenia Komisie (EÚ) 2019/2022 nájdené: www.philco.cz					

* A (najvyššia účinnosť) až G (najnižšia účinnosť)

TECHNICKÉ INFORMÁCIE

Technické informácie sa nachádzajú na typovom štítku na vnútornej strane spotrebiča a na energetickom štítku. QR kód, na dodanom energetickom štítku, obsahuje odkaz na registráciu spotrebiča v databáze EÚ Eprel.

INFORMÁCIE O TESTOVANÍ

Dodané zariadenie je v súlade s EcoDesign a EN62552-1:2020, EN 62552-2:2020, EN62552-3:2020, EN 60704-1:2020 + A11:2012, EN60704-2-14:2013+A11:2015+A1:2019. Požiadavky na prístup vzduchu pre správnu prevádzku prístroja, minimálna vzdialenosť od steny a rozmery prístroja, sú súčasťou tohto návodu. V prípade ďalších otázok sa obráťte na výrobcu.

STAROSTLIVOSŤ O ZÁKAZNÍKA A SERVIS

Vždy používajte iba originálne náhradné diely.

Označenie modelu a sériové číslo nájdete na typovom štítku. Polohu typového štítku je možné zmeniť bez predchádzajúceho upozornenia.

Originálne náhradné diely pre niektoré konkrétne komponenty sú k dispozícii minimálne 7 alebo 10 rokov. Závisí to od typu komponentu a od uvedenia posledného spotrebiča daného modelu na trh.

Pri kontaktovaní nášho autorizovaného servisu majte k dispozícii modelové označenie, sériové číslo a popis chyby.

Pre stiahnutie dokumentov navštívte www.philco.sk.

Pre nahlásenie poruchy a získanie ďalších servisných informácií navštívte www.philco.sk/servisne-miesta.

Zmeny vyhradené bez predchádzajúceho upozornenia.

POKYNY A INFORMÁCIE TÝKAJÚCE SA LIKVIDÁCIE POUŽITÝCH OBALOVÝCH MATERIÁLOV

Obalové materiály zlikvidujte na verejnom mieste pre likvidáciu odpadu.

LIKVIDÁCIA POUŽITÝCH ELEKTRICKÝCH A ELEKTRONICKÝCH SPOTREBIČOV



Význam symbolu na výrobku, jeho príslušenstve alebo obale znamená, že s týmto výrobkom nesmie byť zaobchádzané ako s komunálnym odpadom. Tento výrobok zlikvidujte na príslušnom zbernom mieste pre recykláciu odpadu z elektrických a elektronických zariadení. Popríklad je možné v niektorých štátoch Európskej únie alebo iných európskych štátoch vrátiť svoje výrobky miestnemu predajcovi, v prípade kúpy podobného nového výrobku. Správna likvidácia tohto výrobku pomôže ušetriť cenné prírodné zdroje a pomôcť pri prevencii prípadného negatívneho vplyvu na životné prostredie a ľudské zdravie, ku ktorému by mohlo dôjsť v dôsledku nesprávnej likvidácie odpadu. Podrobnejšie informácie získate od miestneho úradu alebo v najbližšom stredisku pre zber odpadu. Nesprávna likvidácia tohto typu odpadu môže podliehať vnútroštátnym predpisom o pokutách.

Pre podnikateľské subjekty v Európskej únii

Ak chcete zlikvidovať elektrické alebo elektronické zariadenie, vyžiadajte si potrebné informácie od svojho predajcu alebo dodávateľa.

Likvidácia v iných štátoch mimo Európskej únie

Ak chcete zlikvidovať tento výrobok, vyžiadajte si nevyhnutné informácie o správnom spôsobe likvidácie od miestnych úradov alebo svojho predajcu.



Tento výrobok spĺňa všetky základné požiadavky nariadenia EÚ, ktoré sa naň vzťahujú.

Zmeny v texte, dizajne a technických údajoch sa môžu vyskytnúť bez predchádzajúceho upozornenia a vyhradujeme si právo vykonať tieto zmeny.

Originál tohto návodu na obsluhu je v českom jazyku.



VAROVANIE! POČAS POUŽÍVANIA, SERVISU A LIKVIDÁCIA VENUJTE POZORNOSŤ SYMBOLU PODOBNÉMU NA ĽAVEJ STRANE, KTORÝ JE UMIESTNENÝ NA ZADNEJ STRANE SPOTREBIČA (ZADNÝ PANEL ALEBO KOMPRESOR) A SO ŽLTOU ALEBO ORANŽOVOU FARBOU.



JE TO RIZIKO POŽIARNEHO VAROVNÉHO SYMBOLU. SÚ TU HORĽAVÉ MATERIÁLY POTRUBIA A KOMPRESOR. BUĎTE ĎALEKO OD ZDROJA OHŇA POČAS POUŽÍVANIA, OBSLUHY SPOTREBIČA A LIKVIDÁCIE.

LODÓWKA

INSTRUKCJA OBSŁUGI

PHILCO



Famous for Quality the World Over

PTB 113 EW

Szanowny kliencie,

Dziękujemy za zakup produktu marki PHILCO. Aby twoje urządzenie dobrze Ci służyło, przeczytaj wszystkie wskazówki zamieszczone w niniejszej instrukcji obsługi.

SPIS TREŚCI

CZĘŚĆ 1: INSTRUKCJE BEZPIECZEŃSTWA	2
CZĘŚĆ 2: OPIS URZĄDZENIA	11
GŁÓWNE CZĘŚCI URZĄDZENIA	11
CZĘŚĆ 3: ROZPAKOWANIE LODÓWKI	12
CZĘŚĆ 4: CZYSZCZENIE PRZED PIERWSZYM UŻYCIEM	12
CZĘŚĆ 5: WYMAGANIA PRZESTRZENNE	12
CZĘŚĆ 6: PODŁĄCZENIE SIECI ELEKTRYCZNEJ	13
POLECANY SPOSÓB UZIEMIENIA	13
CZĘŚĆ 7: WYPOZIOMOWANIE	13
CZĘŚĆ 8: KORZYSTANIE Z URZĄDZENIA	14
USTAWIANIE TEMPERATURY (OPCJONALNE)	14
PRZECHOWYWANIE ŚWIEŻEJ ŻYWNOŚCI	14
PRZECHOWYWANIE ŻYWNOŚCI MROŻONEJ	15
ROZMRAŻANIE	15
CZYSZCZENIE	16
CZĘŚĆ 9: WYŁĄCZENIE URZĄDZENIA NA DŁUŻSZY CZAS	16
CZĘŚĆ 10: ZMIANA KIERUNKU OTWIERANIA DRZWICZEK (OPCJONALNE)	17
JAK OSZCZĘDZIĆ ENERGIĘ	22
CODZIENNE UŻYWANIE URZĄDZENIA	22
CZĘŚĆ 11: ELIMINACJA EWENTUALNYCH PROBLEMÓW	23
WSKAZÓWKI DOTYCZĄCE PRZECHOWYWANIA	24
UMIĘJSCOWIENIE ŻYWNOŚCI W URZĄDZENIU	25
CZĘŚĆ 12: ARKUSZ INFORMACYJNY	26
INFORMACJE TECHNICZNE	28
INFORMACJE O TESTACH	28
OBSŁUGA I OBSŁUGA KLIENTA	28
WSKAZÓWKI O INFORMACJE DOTYCZĄCE LIKWIDACJI ZUŻYTYCH OPAKOWAŃ	29
LIKWIDACJA ZUŻYTYCH URZĄDZEŃ ELEKTRYCZNYCH I ELEKTRONICZNYCH	29



Urządzenie zostało przetestowane zgodnie z rozporządzeniami Unii Europejskiej. Urządzenie odpowiada zasadom bezpieczeństwa obowiązującym dla urządzeń elektrycznych w Unii Europejskiej.

CZĘŚĆ 1: INSTRUKCJE BEZPIECZEŃSTWA



W CELU BEZPIECZEŃSTWA I PRAWIDŁOWEGO STOSOWANIA PRZED INSTALACJĄ I PIERWSZYM UŻYCIEM URZĄDZENIA PROSIMY UWAŻNIE PRZECZYTAĆ NINIEJSZĄ INSTRUKCJĘ, W TYM WSKAZÓWKI I OSTRZEŻENIA. ABY ZAPOBIEGAĆ NIEPOŻĄDANYM BŁĘDOM I WYPADKOM, WAŻNE JEST ZAPEWNIENIE, ŻE WSZYSTKIE OSOBY KORZYSTAJĄCE Z URZĄDZENIA ZOSTAŁY POINFORMOWANE O FUNKCJONOWANIU I BEZPIECZEŃSTWIE.

ZACHOWAJ INSTRUKCJĘ W PRZYPADKU SPRZEDAŻY URZĄDZENIA I UPEWNIJ SIĘ, ŻE NINIEJSZA INSTRUKCJA POZOSTAJE W URZĄDZENIU, ABY MOŻNA BYŁO Z NIEGO KORZYSTAĆ PRZEZ CAŁY OKRES UŻYTKOWANIA. ZE WZGLĘDÓW BEZPIECZEŃSTWA I W CELU OCHRONY MIENIA NALEŻY POSTĘPOWAĆ ZGODNIE Z INSTRUKCJAMI W TEJ INSTRUKCJI OBSŁUGI, PONIEWAŻ PRODUCENT NIE PONOSI ODPOWIEDZIALNOŚCI ZA SZKODY PRZYCZYNIONE NIEPRZESTRZEGANIEM TEJ INSTRUKCJI.

- TO URZĄDZENIE MOGĄ UŻYWAĆ DZIECI DO 8 LAT I OSOBY ZE ZMNIJSZONYMI FIZYCZNYMI, SENSORYCZNYMI I UMYSŁOWYMI UMIEJĘTNOŚCIAMI, ALBO BEZ DOSTATECZNYCH UMIEJĘTNOŚCI, KIEDY SĄ ONE POD DOZOREM ALBO BYŁY NAUCZONE JAK POPRAWNIE I BEZPIECZNIE UŻYWAĆ URZĄDZENIE I ZROZUMIELI MOŻLIWE RYZYKA.
- DZIECI W WIEKU OD 3 DO 8 LAT MOGĄ WKŁADAĆ I WYJMOWAĆ ŻYWNOŚĆ Z URZĄDZEŃ CHŁODNICZYCH.
- DZIECI NIE MOGĄ SIĘ BAWIĆ Z URZĄDZENIEM.
- CZYSZCZENIE I KONSERWACJĘ NIE MOGĄ DZIECI WYKONYWAĆ BEZ NADZORU.

- JEŚLI PRZEWÓD ZASILAJĄCY JEST USZKODZONY, NALEŻY WYMIENIĆ GO PRZEZ PROFESJONALNE CENTRUM USŁUG, ABT ZAPOBIEGAĆ SYTUACJAM AWARYJNYM. URZĄDZENIE Z USZKODZONYM KABLEM ELEKTRYCZNYM JEST ZABRONIONE UŻYWAĆ.

- **UWAGA:** JEŚLI TWÓJ MODEL NIE MA PRODUCENTA LODU PODŁĄCZONEGO DO ZASILANIA WODĄ, NAPEŁNIJ GO TYLKO WODĄ PITNĄ.

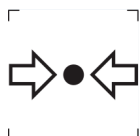
- **OSTRZEŻENIE:** OTWORY WENTYLACYJNE W POKRYWIE URZĄDZENIA LUB W OBUDOWIE URZĄDZENIA MUSZĄ BYĆ DOSTĘPNE I BEZ PRZESZKODY.

- **OSTRZEŻENIE:** ABY PRZYSPIESZYĆ PROCES ROZMRAŻANIA NIE UŻYWAJ SPRZĘTU MECHANICZNEGO LUB INNYCH ŚRODKÓW NIŻ TE CO SĄ ZALECANE PRZEZ PRODUCENTA.

- **OSTRZEŻENIE:** NIE USZKADZAJ OBIEGU CHŁODZENIA.

- **OSTRZEŻENIE:** WEWNĄTRZ MIEJSCA PRZECHOWYWANIA NIE UŻYWAJ URZĄDZEŃ ELEKTRYCZNYCH, JEŻELI TYP NIE JEST ZALECANY PRZEZ PRODUCENTA.

- **OSTRZEŻENIE:** WEWNĄTRZ MIEJSCA PRZECHOWYWANIA NIE UŻYWAJ URZĄDZEŃ ELEKTRYCZNYCH, JEŻELI TYP NIE JEST ZALECANY PRZEZ PRODUCENTA.



ZNAK ISO 7000-1701 (2004-01)
OZNACZA MEDIUM POD CIŚNIENIEM.

TO URZĄDZENIE JEST PRZEZNACZONE DO UŻYTKU W GOSPODARSTWIE DOMOWYM I DO PODOBNYCH CEŁÓW, TAKICH JAK:

- KUCHNIE DLA PERSONELU W SKLEPACH, BIURA I INNE ŚRODOWISKA PRACY;
- NA GOSPODARSTWACH I DLA KLIENTÓW HOTELI, MOTELI I INNYCH TYPÓW MIESZKANIOWYCH;
- ŚRODOWISKA ZAKWATEROWANIA Z ŚNIADANIEM;
- CATERING I PODOBNE ZASTOSOWANIA DETALICZNE.

TYLKO NIEKTÓRE MODELE LODÓWEK ZAWIERAJĄ KOSTKARKĘ DO LODU. WBUDOWANY PRODUCENT LODÓW MUSI BYĆ ZAINSTALOWANY WYŁĄCZNIE PRZEZ PRODUCENTA LUB JEGO SERWIS.

- DO WYBRANYCH MODELI Z PRODUCENTEM LODU Z PODŁĄCZENIEM WODY: **UWAGA:** MUSI BYĆ PODŁĄCZONY TYLKO DO DOSTAWY WODY PITNEJ.
- **UWAGA:** URZĄDZENIE MUSI BYĆ PODŁĄCZONE WEDŁUG INSTRUKCJI OBSŁUGI, ABY UNIKNĄĆ NIEBEZPIECZEŃSTWA WYNIKAJĄCEGO Z JEGO INSTALACJI.
- **UWAGA:** URZĄDZENIE MUSI BYĆ PODŁĄCZONE WEDŁUG INSTRUKCJI OBSŁUGI, ABY UNIKNĄĆ NIEBEZPIECZEŃSTWA WYNIKAJĄCEGO Z JEGO INSTALACJI.



OSTRZEŻENIE:
NIEBEZPIECZEŃSTWO POŻARU / MATERIAŁY
ŁATWOPALNE!

ZAWIERA GAZ CHŁODNICZY ISOBUTAN

R600a

CHŁODZIWO

CHŁODZONY ISOBUTAN (R600a) ZAWARTY W OBIEGU CHŁODZENIA URZĄDZENIA JEST NATURALNYM GAZEM Z WYSOKĄ KOMPATYBILNOŚCIĄ ZE ŚRODOWISKIEM, KTÓRY JEST ŁATWOPALNY. PODCZAS TRANSPORTU I INSTALACJI NALEŻY UWAŻAĆ NA USZKODZENIE KOMPONENTÓW OBWODU CHŁODZENIA. CHŁODZIWO (R600a) JEST ŁATWOPALNE.

• **OSTRZEŻENIE** — LODÓWKI W IZOLACJI ZAWIERAJĄ GAZY CHŁODNICZE I CHŁODZĄCE. CHŁODNICE I GAZY CHŁODZĄCE MUSZĄ BYĆ USUWANE PROFESJONALNIE, MOGĄ SPOWODOWAĆ OBRAŻENIE OCZU. PRZED WYKONANIEM POPRAWNEGO USUNIĘCIA UPEWNIJ SIĘ, ŻE RURKA OBIEGU CHŁODZENIA NIE JEST USZKODZONA.



SYMBOL  OSTRZEŻENIE I ZNACZY TO, ŻE CHŁODZENIE I GAZY CHŁODNICZE SĄ ŁATWOPALNE.

OSTRZEŻENIE: RYZYKO POŻARU MATERIAŁÓW ŁATWOPALNYCH

JEŚLI OBWÓD CHŁODZENIA SIĘ USZKODZI:

- UNIKNIJ OTWARTEGO POŻARU I ZAPŁONU.
- DOKŁADNIE WENTYLUJ POKÓJ, W KTÓRYM SIĘ URZĄDZENIE ZNAJDUJE.

JEST NIEBEZPIECZNA ZMIANA LUB MODYFIKACJA URZĄDZENIA W DOWOLNY SPOSÓB. JAKIEKOLWIEK USZKODZENIE PRZEWODU ZASILAJĄCEGO MOŻE SPOWODOWAĆ KRÓTKI OBWÓD, POŻAR I / LUB PORAŻENIE PRĄDEM ELEKTRYCZNYM.

● **UWAGA:** UKŁAD CHŁODZENIA ZAWIERA CHŁODNICTWO POD WYSOKIM CIŚNIENIEM. NIE OBSŁUGUJ SYSTEMU. NALEŻY GO NAPRAWIĆ TYLKO I WYŁĄCZNIE PRZEZ WYKWALIFIKOWANĄ OSOBĘ.

● **UWAGA:** PRZY USTAWIENIU URZĄDZENIA, UPEWNIJ SIĘ, ŻE KABEL ELEKTRYCZNY NIE JEST ZATKNIĘTY LUB USZKODZONY.

● **UWAGA:** NIE DAWAJ WIELU PRZENOŚNYCH GNIAZD ELEKTRYCZNYCH ANI PRZENOŚNYCH ŹRÓDEŁ ZASILANIA NA TYLNA STRONĘ URZĄDZENIA.



ELEKTRYCZNE BEZPIECZEŃSTWO

1. KABEL ZASILAJĄCY NIE MOŻE BYĆ PRZEDŁUŻANY.
2. UPEWNIJ SIĘ, ŻE PRZEWÓD MOCY NIE JEST USZKODZONY. ZGNIĘCIONA LUB USZKODZONA WTYCZKA MOŻE SIĘ PRZEGRZEWAĆ I SPOWODOWAĆ POŻAR.
3. UPEWNIJ SIĘ, ŻE MASZ WOLNY DOSTĘP DO GNIAZDKA URZĄDZENIA.
4. NIE CIĄGNIJ ZA KABEL ZASILAJĄCY.

5. NIE NALEŻY PODŁĄCZAĆ WTYCZKI KIEDY JEST POLUZOWANE GNIAZDKO ELEKTRYCZNE. GROZI RYZYKO PORAŻENIA PRĄDEM LUB POŻARU.
6. NIE UŻYWAJ TEGO URZĄDZENIA BEZ POKRYCIA OŚWIETLENIA WEWNĘTRZNEGO.
7. LODÓWKA JEST PRZEZNACZONA TYLKO DO ZASILANIA Z JEDNEJ FAZY ZASILANIA O WARTOŚCIACH 220-240 V~/50 Hz. JEŚLI WAHANIA NAPIĘCIA W MIEJSCU ZAMIESZKANIA UŻYTKOWNIKA SĄ TAKIE WIELKIE, ŻE PRZEKRACZAJĄ POWYŻSZE GRANICE ZE WZGLĘDU NA BEZPIECZEŃSTWO UŻYJ AUTOMATYCZNEGO REGULATORA NAPIĘCIA O WIĘCEJ NIŻ 350 W DLA LODÓWKI.

LODÓWKA MUSI BYĆ WYPOSAŻONA W SPECJALNĄ WTYCZKĘ ZASILAJĄCĄ W MIEJSCU WSPÓLNYM Z INNYMI ELEKTRYCZNYMI URZĄDZENIAMI. WTYCZKA MUSI BYĆ PRAWIDŁOWA Z GNIAZDKIEM ELEKTRYCZNYM.

STOSOWANIE NORMALNE

- NIE NALEŻY PRZECHOWYWAĆ ŁATWOPALNYCH GAZÓW LUB CIECZY W URZĄDZENIU. GROZI RYZYKO WYBUCHU.
- NIE UŻYWAJ INNYCH URZĄDZEŃ ELEKTRYCZNYCH W URZĄDZENIU (NP. ELEKTRYCZNY PRODUCENT LODÓW, MIKSERY ITP.)
- PODCZAS ODŁĄCZANIA URZĄDZENIA Z GNIAZDKA ELEKTRYCZNEGO, ZAWSZE NALEŻY CIĄGNAĆ ZA WTYCZKĘ. NIE CIĄGNIJ ZA KABEL.
- NIE STAWIAJ GORĄCYCH ELEMENTÓW W POBLIŻU CZĘŚCI Z TWORZYWA SZTUCZNEGO URZĄDZENIA.
- NIE UMIESZCZAJ ŻADNYCH ARTYKUŁÓW W POBLIŻU TYLNYCH OTWORÓW NA ŚCIANIE.
- PAKOWANE MROŻONE ŻYWNOCI PRZECHOWYWUJ ZGODNIE Z INSTRUKCJAMI PRODUCENTA.

- MIAŁ BYŚ ŚCISŁO DOTRZYMAĆ ZALECENIA PRZECHOWYWANIA W URZĄDZENIU PRZEZ PRODUCENTA. ZOBACZ OBOWIĄZUJĄCE INSTRUKCJE DOTYCZĄCE PRZECHOWYWANIA.
- NIE WOLNO WSTAWIAĆ GAZOWANYCH NAPOJÓW W ZAMRAŻARCE DLATEGO BO MOGĄ STWORZYĆ CIŚNIENIE W POJEMNIKU KTÓRY MOŻE WYBUCHNĄĆ, CO MOŻE USZKODIĆ URZĄDZENIE.
- NIE JEDZ MROŻONEK NATYCHMIAST PO WYJĘCIU Z ZAMRAŻARKI, MOŻESZ DOZNAĆ OBRAŻEŃ.
- NIE WYSTAWIAJ URZĄDZENIA NA BEZPOŚREDNIE DZIAŁANIE PROMIENI SŁONECZNYCH.
- MIEJ PRZY SOBIE PŁONĄCE ŚWIECZKI, LAMPY I INNE PRZEDMIOTY Z OTWARTYM OGNIEM W WYSTARCZAJĄCEJ ODLEGŁOŚCI OD URZĄDZENIA, ABY UNIKNĄĆ RYZYKA POŻARU.
- URZĄDZENIE JEST PRZEZNACZONE DO PRZECHOWYWANIA ŻYWNOŚCI I NAPOJÓW W NORMALNYM GOSPODARSTWIE DOMOWYM, JAK OPISANO W INSTRUKCJI OBSŁUGI. URZĄDZENIE JEST CIĘŻKIE. ZACHOWAJ OSTROŻNOŚĆ PODCZAS PRZENOSZENIA.
- NIE WYJMUJ ANI NIE DOTYKAJ PRZEDMIOTÓW W KOMORZE ZAMRAŻARKI MOKRYMI / WILGOTNYMI RĘKAMI, PONIEWAŻ MOŻE TO SPOWODOWAĆ OBRAŻENIA SKÓRY LUB POPARZENIA MROZEM.
- NIGDY NIE UŻYWAJ DNA, SZUFLAD, DRZWI ITP. DO WSPINACZKI LUB JAKO WSPARCIE.
- MROŻONEJ ŻYWNOŚCI NIE WOLNO PONOWNIE ZAMRAŻAĆ PO ROZMROŻENIU.
- NIE SPOŻYWAJ LODÓW ANI KOSTEK LODU NATYCHMIAST PO WYJĘCIU Z ZAMRAŻARKI, PONIEWAŻ MOŻE TO ZRANIĆ USTA.
- ABY NIE DOPUŚCIĆ DO UPADKU PRZEDMIOTÓW, ZRANIENIA LUB USZKODZENIA URZĄDZENIA, NIE NALEŻY PRZECIĄŻAĆ KOMÓR, NIE WKŁADAJ NADMIERNYCH ILOŚCI JEDZENIA DO DRZWI LUB SZUFLADY.

INSTALACJA WAŻNE!

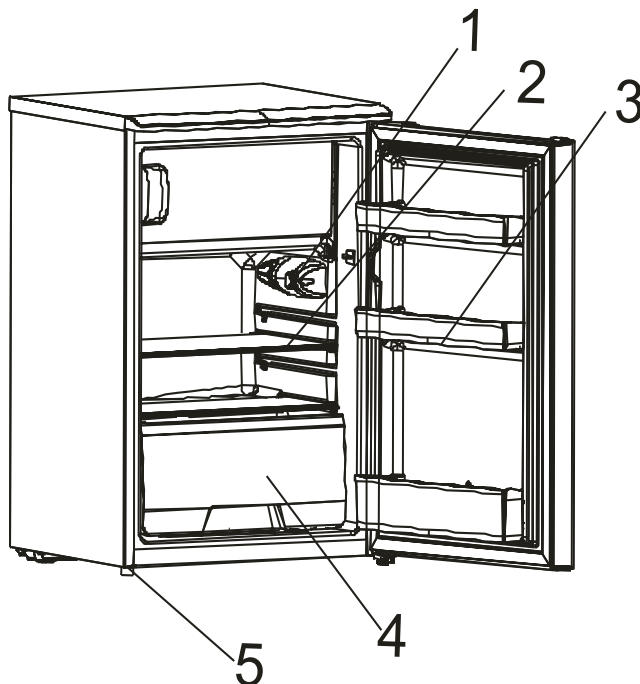
- PACHOWAJ OSTROŻNOŚĆ PODCZAS PODŁĄCZANIA DO SIECI, POSTĘPUJ ZGODNIE Z INSTRUKCJAMI W TEJ INSTRUKCJI OBSŁUGI. ROZPAKUJ URZĄDZENIE I SPRAWDŹ, CZY NIE MA WIDOCZNYCH USZKODZEŃ.
- JEŚLI URZĄDZENIE JEST USZKODZONE, NIE PODŁĄCZAJ GO. NOTYFIKUJ MOŻLIWE SZKODY W MIEJSCU ZAKUPU. W TAKIM PRZYPADKU ZACHOWAJ OPAKOWANIE.
- ZALECA SIĘ ODCZEKAĆ KILKA GODZIN PRZED PODŁĄCZENIEM URZĄDZENIA, ABY OLEJ USTABILIZOWAŁ SIĘ W SPRĘŻARCE.
- ZAPEWNIJ ODPOWIEDNIĄ WENTYLACJĘ WOKÓŁ URZĄDZENIA, W PRZECIWNYM RAZIE MOŻE WYSTĄPIĆ PRZEGRZANIE. PRZESTRZEGAJ ODPOWIEDNIEJ WENTYLACJI.
- JEŚLI TO MOŻLIWE, TYŁ URZĄDZENIA NIE POWINIEN BYĆ BARDZO BLISKO ŚCIANY I NIE NALEŻY DOTYKAĆ GORĄCYCH CZĘŚCI (SPRĘŻARKI, SKRAPLACZA), ABY UNIKNĄĆ RYZYKA POŻARU, POSTĘPUJ ZGODNIE Z ODPOWIEDNIMI INSTRUKCJAMI INSTALACJI.
- URZĄDZENIE NIE WOLNO UMIESZCZAĆ W POBLIŻU GRZEJNIKÓW LUB PIECÓW.
- PO INSTALACJI URZĄDZENIA UPEWNIJ SIĘ, ŻE WTYCZKA JEST ŁATWO DOSTĘPNA.
- WSZYSTKIE OPAKOWANIA NALEŻY PRZECHOWYWAĆ POZA ZASIĘGIEM DZIECI, PONIEWAŻ ISTNIEJE RYZYKO UDUSZENIA.

- WNĘTRZE LODÓWKI / ZAMRAŻARKI MOŻE PACHNIEĆ PRZED PIERWSZYM UŻYCIEM. TO NORMALNE. ZAPACH ZNIKA, GDY TYLKO URZĄDZENIE ZACZNIE CHŁODZIĆ / ZAMRAŻAĆ.
- PRZED PODŁĄCZENIEM LODÓWKI / ZAMRAŻARKI UPEWNIJ SIĘ, ŻE NAPIĘCIE SIECIOWE ODPOWIADA WYMAGANIOM DOTYCZĄCYM PODŁĄCZENIA LODÓWKI / ZAMRAŻARKI. W RAZIE WĄTPLIWOŚCI SKONSULTUJ SIĘ Z WYKWALIFIKOWANYM ELEKTRYKIEM.
- URZĄDZENIE NALEŻY PODŁĄCZYĆ DO GNIAZDKA O ODPOWIEDNIM NAPIĘCIU I PRAWIDŁOWO ZAINSTALOWANEJ PODSTAWCE Z BEZPIECZNIKIEM.
- CHŁODZIARKI / ZAMRAŻARKI NIE WOLNO UMIESZCZAĆ NA ZEWNĄTRZ ANI WYSTAWIAĆ NA DZIAŁANIE DESZCZU.
- CHŁODZIARKO-ZAMRAŻARKA MUSI BYĆ UMIESZCZONA CO NAJMNIEJ 50 CM OD GRZEJNIKÓW, RUR GRZEWCZYCH, RUR GAZOWYCH ITP.
- JEŚLI LODÓWKA Z ZAMRAŻARKĄ ZNAJDUJE SIĘ OBOK ZAMRAŻARKI, MUSI MIN. ROZSTAW 2 CM.
- NIE STAWIAJ CIĘŻKICH PRZEDMIOTÓW NA LODÓWCE / ZAMRAŻARCE, NIE PRZYKRYWAJ JEJ.
- NAD LODÓWKĄ / ZAMRAŻARKĄ MUSI ZNAJDOWAĆ SIĘ MIN. 150 MM WOLNEJ PRZESTRZENI.
- TO URZĄDZENIE JEST PRZEZNACZONE DO UŻYTKU DOMOWEGO I NADAJE SIĘ WYŁĄCZNIE DO CHŁODZENIA / ZAMRAŻANIA ŻYWNOŚCI. NIE NADAJE SIĘ DO UŻYTKU KOMERCYJNEGO I / LUB PRZECHOWYWANIA SUBSTANCJI INNYCH NIŻ ŻYWNOŚĆ. PRODUCENT NIE PONOSI ODPOWIEDZIALNOŚCI ZA JAKIEKOLWIEK STRATY SPOWODOWANE NIEWŁAŚCIWYM UŻYTKOWANIEM URZĄDZENIA.

CZĘŚĆ 2: OPIS URZĄDZENIA

Tego rodzaju lodówek używa się przede wszystkim w miejscach takich jak hotele, biura, domy studenckie. Jest odpowiednia do chłodzenia i konserwowania żywności, napojów i różnego rodzaju owoców. Do jej zalet należy mały rozmiar, niska masa, niskie zużycie energii elektrycznej i łatwe używanie.

Główne części urządzenia



1. Termostat
2. Szklana półka
3. Plastikowa półka
4. Szuflada zachowująca świeżość żywności
5. Regulowana nóżka

Uwagi:

Sekcja chłodząca (lodówka) - Najbardziej efektywne wykorzystanie energii zapewnia konfiguracja z szufladami w dolnej części urządzenia oraz równomiernie rozmieszczonymi półkami. Kierunek otwierania drzwi nie wpływa na zużycie energii.

Zamrażarka - Najbardziej efektywne wykorzystanie energii jest zapewnione w konfiguracji, w której szuflady są prawidłowo wsunięte.

CZĘŚĆ 3: ROZPAKOWANIE LODÓWKI

OSTRZEŻENIE!

Z lodówką zawsze powinny manipulować przynajmniej dwie osoby. W innym przypadku mogłoby dojść do obrażeń.

- Przed użyciem usuń z lodówki wszystkie taśmy i etykiety (oprócz tablicy znamionowej).
- Resztki taśmy lub kleju delikatnie zetrzyj palcem.
- Resztki taśmy lub kleju można też łatwo usunąć palcami namoczonymi w odrobinie mydła w płynie. Następnie miejsce umyj ciepłą wodą i wysusz.
- Aby usunąć pozostałości taśmy lub kleju nie używaj ostrych narzędzi, alkoholu, cieczy palnych ani abrazyjnych środków czyszczących, ponieważ mogłoby dojść do uszkodzenia powierzchni lodówki.
- Podczas manipulacji nie przechylaj lodówki pod kątem większym niż 45°. Lodówka powinna stałe znajdować się w pozycji pionowej.

CZĘŚĆ 4: CZYSZCZENIE PRZED PIERWSZYM UŻYCIEM

Po usunięciu materiałów opakowania (głównie piany między zewnętrznym kondensatorem a obudową) wyczyść przestrzeń wewnętrzną lodówki. Dopiero potem można używać lodówki.

CZĘŚĆ 5: WYMAGANIA PRZESTRZENNE

OSTRZEŻENIE!

Przechowuj materiały palne, takie jak na przykład benzyna, w odpowiedniej odległości od lodówki. W innym przypadku może dojść do wybuchu, obrażeń, oparzeń lub śmierci.

- Aby zapewnić odpowiednią wentylację lodówki, zostaw między ścianą a boczną stroną lodówki przynajmniej 200mm wolnej przestrzeni, między ścianą a tylną stroną lodówki również przynajmniej 200mm wolnej przestrzeni a między górną stroną lodówki a sufitem przynajmniej 300mm wolnej przestrzeni.
- Jeśli chcesz umieścić lodówkę obok stałej ściany, zostaw po stronie zawiasów drzwiczek dostatecznie dużo miejsca, aby można było otworzyć bez problemów drzwi.
- Nigdy nie umieszczaj lodówki w pobliżu źródeł ciepła. Nie wystawiaj jej na bezpośrednie działanie promieni słonecznych.

CZĘŚĆ 6: PODŁĄCZENIE SIECI ELEKTRYCZNEJ

OSTRZEŻENIE!

NIE USUWAJ UZIEMIENIA.
NIE UŻYWAJ ADAPTERA.
NIE UŻYWAJ PRZEDŁUŻACZY.

Nie dotrzymując tych zasad można spowodować w efekcie śmierć, pożar lub porażenie prądem elektrycznym.

Przed przesunięciem lodówki na stałe miejsce upewnij się, że jest do dyspozycji odpowiednie podłączenie do sieci elektrycznej.

Polecany sposób uziemienia

Polecamy podłączyć lodówkę do źródła zasilania o wartości AC220 - 240 V /50 Hz z bezpiecznikiem o wartości 10 amperów. Lodówka musi być właściwie uziemiona. Polecamy podłączenie lodówki do samodzielnego okręgu, do którego nie będą podłączone żadne inne urządzenia. Użyj gniazdka, którego nie można wyłączyć za pomocą wyłącznika lub pociągając za łańcuch. Nie używaj przedłużaczy.

WSKAZÓWKA!

Przed każdą instalacją odłącz lodówkę od sieci elektrycznej. Po dokończeniu instalacji podłącz lodówkę do sieci elektrycznej i wykonaj požądane ustawienia.

CZĘŚĆ 7: WYPOZIOMOWANIE

Jeśli podczas instalacji nie wyrównasz lodówki, drzwiczki mogą nie zamykać się dobrze a uszczelnienia nie muszą działać właściwie, co może prowadzić do problemów z chłodzeniem, mrożeniem lub wilgocią. Jest bardzo ważne, aby lodówka była odpowiednio wypoziomowana - tylko w ten sposób może działać właściwie. Do wypoziomowania lodówki służy regulowana nóżka w jej przedniej części. Obracając regulowaną nóżkę w kierunku zgodnym z ruchem wskazówek zegara podniesiesz odpowiednią stronę lodówki, obracając regulowaną nóżkę odwrotnie do ruchu wskazówek zegara obniżysz tę stronę.

WSKAZÓWKA!

Wyrównanie lodówki jest łatwiejsze, gdy jedna osoba naciska na górną część lodówki, gdy w tym czasie druga osoba ustawia regulowaną nóżkę.

CZĘŚĆ 8: KORZYSTANIE Z URZĄDZENIA

Aby osiągnąć jak najlepsze efekty podczas korzystania z lodówki, ważne jest, aby korzystać z niej właściwie.

Skróót oznaczający zakres temperatury otoczenia, tj. SN, N, ST lub T, przy określaniu klas klimatycznych:

1. rozszerzona strefa umiarkowana (SN) ma zakres temperatur od 10 °C do 32 °C;
2. strefa umiarkowana (N) ma zakres temperatur od 16 °C do 32 °C;
3. strefa podzwrotnikowa (ST) ma zakres temperatur od 18°C do 38°C;
4. strefa tropikalna (T) ma zakres temperatur od 18°C do 43°C.

Ustawianie temperatury (opcjonalne)

Elementy sterowania lodówki i zamrażarki są umieszczone na przegrodzie przestrzeni chłodzącej. Gdy pierwszy raz zainstalujesz lodówkę, ustaw regulator termostatu na wartość 3. Przed włożeniem żywności zostaw lodówkę do całkowitego wychłodzenia. Najlepiej poczekać z włożeniem żywności do lodówki 24 godziny.

Regulatorem temperatury ustawiasz temperaturę. Im wyższe ustawienie, tym dłużej kompresor będzie pracować, aby utrzymać niższą temperaturę.

Gdy regulator termostatu jest ustawiony do pozycji OFF, lodówka nie pracuje.

Elementy sterowania lodówki i zamrażarki są umieszczone na przegrodzie przestrzeni chłodzącej. Gdy pierwszy raz zainstalujesz lodówkę, ustaw regulator termostatu na „3”. Przed włożeniem żywności zostaw lodówkę do całkowitego wychłodzenia. Najlepiej jest przed włożeniem żywności poczekać 24 godziny.

Regulatorem temperatury ustawiasz temperaturę. Ustawiając pozycję „cool” wybierzesz najwyższą temperaturę a ustawiając pozycję „cooler” wybierzesz najniższą temperaturę.

Gdy regulator termostatu jest ustawiony do pozycji OFF, lodówka nie pracuje.

Przechowywanie świeżej żywności

Żywność przechowuj w lodówce w opakowaniu, które jest szczelne i nie przepuszcza wilgoci.

Zapobiegiesz w ten sposób brzydkim zapachom i przenoszeniu smaków w lodówce.

• **Owoce**

Umyte, zostaw do wyschnięcia i przechowuj w lodówce w plastikowych woreczkach w szufladzie zachowującej świeżość żywności.

• **Warzywa liściaste**

Usuń opakowanie i odetnij lub oderwij naderwane i odbarwione miejsca, opłucz w zimnej wodzie. Umieść w plastikowym woreczku lub plastikowym pojemniku i przechowuj w szufladzie zachowującej świeżość żywności.

• **Ryby**

Świeże ryby zjedz w dniu ich zakupu.

• **Mięso**

Większość mięs przechowuj w oryginalnym opakowaniu, jeśli jest szczelne i odporne na wilgoć.

W razie potrzeby zapakuj w nowe opakowanie.

• **Inne**

Żywność zapakuj do plastikowego woreczka lub folii aluminiowej. Możesz użyć również plastikowego pojemnika ze szczelną pokrywką.

Przechowywanie żywności mrożonej

Przestrzeń zamrażarki jest przeznaczony do przechowywania żywności mrożonej i do mrożenia żywności.

Powodzenie mrożenia zależy od właściwego pakowania. Żywność pakuj tak, aby do opakowania nie wniknęło powietrze ani wilgoć. Gdy nie postąpisz w ten sposób, mogą się wymieszać zapachy i smaki przechowywanej żywności a mrożona żywność może wyschnąć.

WSKAZÓWKA!

Do zamrażarki nigdy nie wkładaj pakowanej żywności lub napojów.

Dla najlepszej wydajności zostaw w zamrażarce i lodówce dostatecznie dużo przestrzeni na cyrkulację powietrza wokół poszczególnych opakowań żywności. Zostaw też dostatecznie dużo przestrzeni z przodu tak, aby drzwi mogły się odpowiednio zamykać.

Rozmrażanie

- Przestrzeń chłodziarki

Proces rozmrażania jest automatyczny za pomocą przycisku termostatu.

Roztopiony szron zlatuje do miski ociekowej i automatycznie odparuje.

- **Przestrzeń zamrażarki**

Rozmrażanie w przestrzeni mrożącej trzeba wykonać manualnie.

- Obróć regulator termostatu do pozycji OFF i zostaw drzwiczki zamrażarki otwarte.
- Wymij całą żywność, pojemnik na kostki lodu i półkę lub umieść je w przestrzeni chłodziarki.
- Wyczyść i wytrzyj roztopiony szron ścierką.
- Po rozmrożeniu obróć regulatorem termostatu do pozycji wyjściowej.

WSKAZÓWKA!

Aby zapobiec uszkodzeniu ściany przestrzeni zamrażarki, nie używaj do usuwania szronu lub do oddzielania mrożonej żywności ostrych przedmiotów.

Czyszczenie

1. Czyszczenie urządzenia

- Kurz za lodówką i na ziemi musisz regularnie wycierać, aby poprawić działanie chłodzące urządzenia i zmniejszyć zużycie energii.
- Regularnie kontroluj uszczelnienie drzwiczek, aby mieć pewność, że nie ma na nim żadnych zanieczyszczeń. Uszczelkę drzwiczek wyczyść miękką ścierką namoczoną w wodzie z mydłem lub rozrzedzonym środkiem czyszczącym.
- Wnętrze chłodziarki musisz regularnie czyścić, aby zapobiegać tworzeniu brzydkich zapachów.
- Przed czyszczeniem wnętrza urządzenia wyłącz zasilanie, wyjmij całą żywność, napoje, półki, szuflady itd.
- Do czyszczenia wnętrza chłodziarki użyj delikatnej ściereki lub gąbki z dwiema łyżkami sody oczyszczonej i ciepłą wodą. Następnie opłucz czystą wodą i wytrzyj do sucha. Przed czyszczeniem otwórz drzwiczki i zostaw je do wyschnięcia.
- W częściach, które się trudno czyszczy (np. wąskie szpary lub rogi), polecamy wam ich regularne wycieranie miękką ścierką lub patyczkami do uszu), aby w tych przestrzeniach nie znajdowały się żadne bakterie.
- Nie używaj mydła, detergentu, proszku do czyszczenia, sprejów czyszczących itd., ponieważ mogą powodować zapach wewnątrz lodówki lub skażać żywność.
- Ramę na butelki, półki i szuflady czyść miękką ścierką namoczoną w wodzie z mydłem lub w rozrzedzonym środku czyszczącym. Wysusz miękką ścierką lub zostaw do wyschnięcia.
- Zewnętrzną powierzchnię lodówki wytrzyj miękką ścierką nawilżoną w wodzie z mydłem lub detergentem a następnie wysusz.
- Do czyszczenia nie używaj twardych szczotek, drucianych szczotek, środków abrazyjnych (np. pasta do zębów), rozpuszczalników organicznych (np. alkohol, aceton, olej bananowy itd.), wrzącej wody, kwaśnych lub zasadowych substancji, które mogłyby uszkodzić wnętrze lub powierzchnię lodówki. Wrząca woda i rozpuszczalniki organiczne, jak np. benzen, mogą zdeformować lub uszkodzić plastikowe części.
- Podczas czyszczenia nie płucz urządzenia bezpośrednio wodą ani innymi cieczami, aby zapobiec zwarciom. Nie zanurzaj urządzenia w wodzie.

2. Porady dotyczące czyszczenia

Na zewnętrznej stronie urządzenia może pojawić się kondensacja. Może to być spowodowane zmianą temperatury w pomieszczeniu. Wytrzyj wszystkie resztki wilgoci. Jeśli problem trwa, poproś o pomoc wykwalifikowanego technika serwisowego.

CZĘŚĆ 9: WYŁĄCZENIE URZĄDZENIA NA DŁUŻSZY CZAS

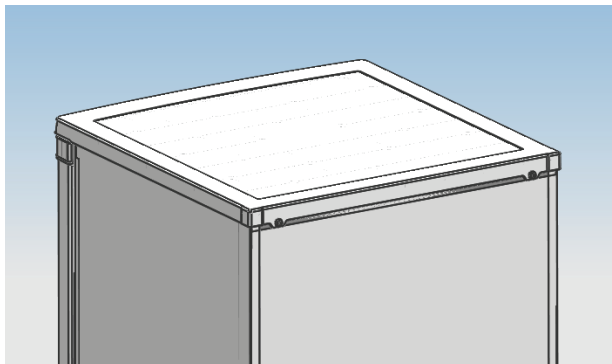
Jeśli przez dłuższy czas nie będziesz używał chłodziarki, postępuj następująco:

Odłącz chłodziarkę od głównego zasilania, wyciągając wtyczkę z gniazdka sieciowego. Wyczyść i wysusz wnętrze lodówki zgodnie z instrukcją czyszczenia lodówki.

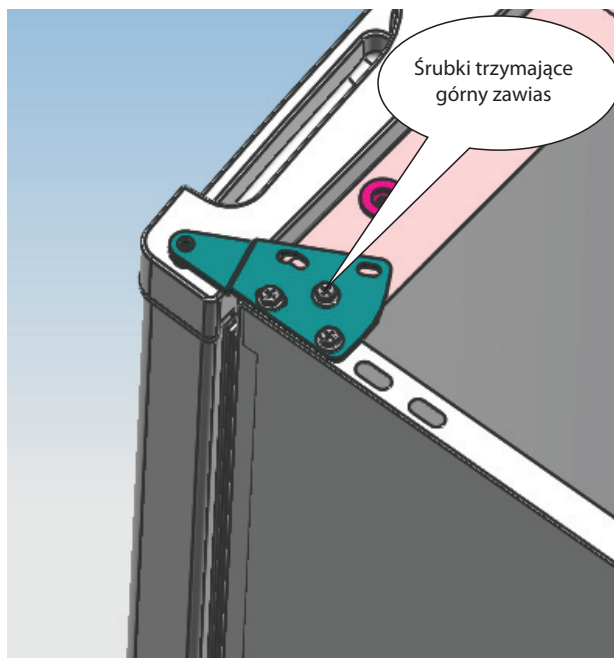
Gdy nie używasz lodówki, zostaw drzwiczki otwarte, aby zapobiec tworzeniu nieprzyjemnych zapachów.

CZĘŚĆ 10: ZMIANA KIERUNKU OTWIERANIA DRZWICZEK (OPCJONALNE)

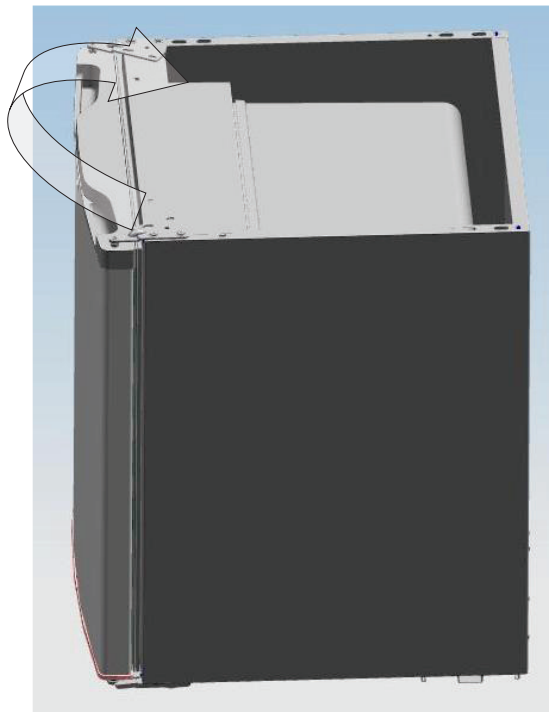
1. Za pomocą śrubokrętu krzyżowego wykręć śrubki, którymi jest zamocowana pokrywa lodówki, zdejmij pokrywę.



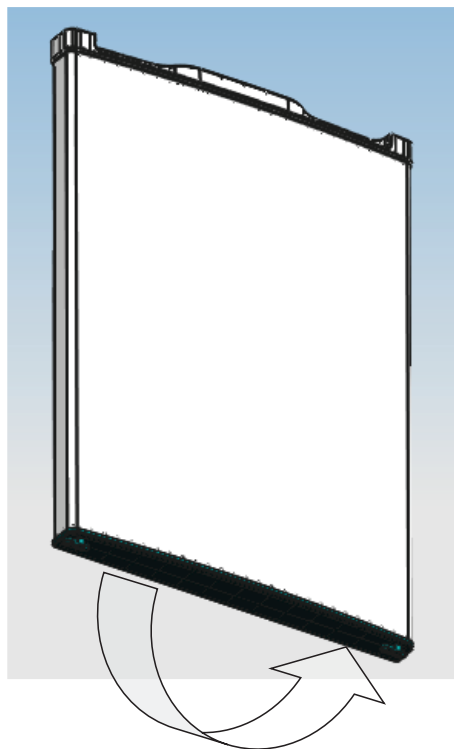
2. Za pomocą śrubokrętu krzyżowego wykręć śrubki, którymi jest zamocowany górny zawias.



3. Przesuń górny zawias, ogranicznik kąta otwierania drzwiczek i korpus łożyska drzwiczek na drugą stronę.
A Przesuń górny zawias na drugą stronę.



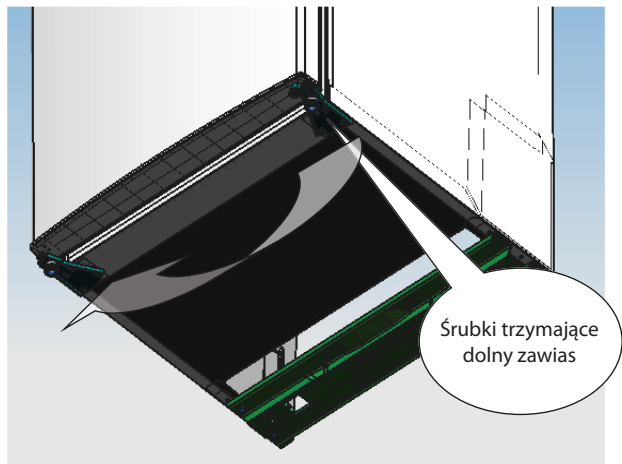
B Przesuń korpus łożyska drzwiczek i ogranicznik kąta otwierania drzwiczek na drugą stronę.



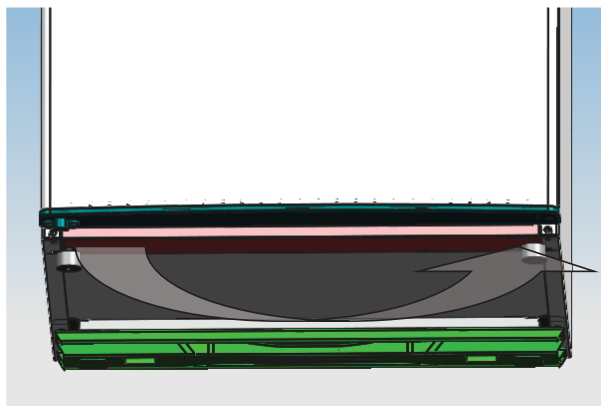
4. Za pomocą śrubokręta krzyżowego wykręć śrubki trzymające dolny zawias, przesunij zawias na drugą stronę i przymocuj go za pomocą śrubek.

WSKAZÓWKA!

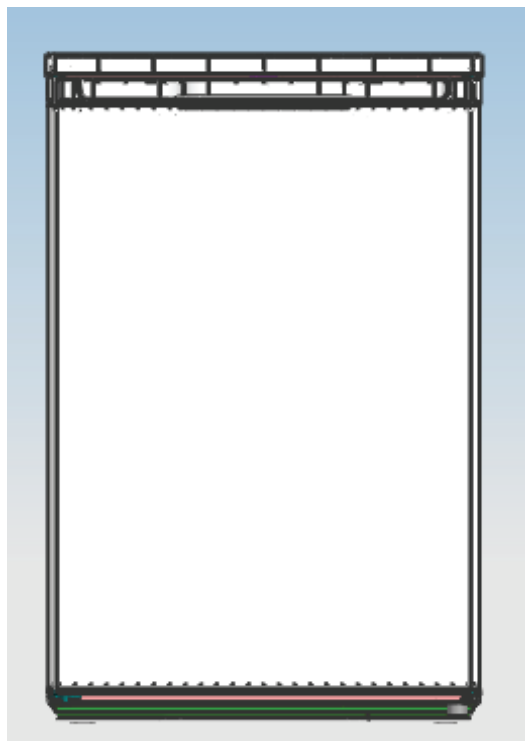
Nie przechylaj lodówki pod większym kątem niż 45°.



- Przesuń urządzenie wyrównujące na drugą stronę i ustaw je tak, aby lodówka znajdowała się w pozycji poziomej.



6. Umieść drzwiczki w odpowiedniej pozycji, umocuj górny zawias a następnie górną pokrywę.



Upewnij się, że urządzenie jest odłączone od sieci elektrycznej i puste. Ustaw obydwie nóżki wyrównujące do najwyższej pozycji. Polecamy skorzystać z pomocy drugiej osoby.

WSKAZÓWKA!

Aby było możliwe zdemontowanie drzwiczek, niezbędne jest przechylić urządzenie do tyłu. Oprzyj urządzenie tylną częścią w miejscu pod górną pokrywą o coś stabilnego np. o fotel.

Nie umieszczaj urządzenia w pozycji poziomej, ponieważ mogłoby dojść do uszkodzenia systemu chłodzącego.

Jak oszczędzić energię

- Urządzenie powinno być umieszczone w najchłodniejszej części pomieszczenia, z dala od zasięgu źródeł ciepła i bezpośrednich promieni słonecznych.
- Ciepłą żywność lub dania wystudź przed włożeniem do lodówki do temperatury pokojowej. Przeciążenie urządzenia przymusza kompresor do dłuższej pracy. Żywność, która się mrozi bardzo powoli, traci na jakości lub może zostać skażona.
- Upewnij się, że żywność jest dobrze zapakowana. Przed włożeniem do urządzenia wytrzyj ją, zmniejszysz tworzenie szronu w urządzeniu.
- Wewnętrznej przestrzeni urządzenia nie powinienes wyklądać folią aluminiową, papierem woskowym lub papierowymi ręcznikami. Materiały te naruszają cyrkulację zimnego powietrza a urządzenie pracuje mniej efektywnie.
- Żywność uporządkuj i opisz, aby ją później łatwo znaleźć i nie zostawiać drzwiczek urządzenia długo otwartych. Wyjmij jak najwięcej produktów naraz i zamknij jak najszybciej drzwiczki.

Codziennie używanie urządzenia

Aby zapobiec skażeniu żywności, respektuj następujące instrukcje:

- Długotrwałe otwieranie drzwi może powodować wyraźny wzrost temperatury w przestrzeni urządzenia.
- Regularnie czyść powierzchnie, które mogą mieć kontakt z żywnością i dostępne systemy odprowadzające wodę.
- Wyczyść pojemniki na wodę, jeśli nie były używane dłużej niż 48 godzin; przepłucz wodą, jeśli woda nie została pobrana przez kilka dni.
- Surowe mięso i ryby przechowuj w odpowiednich pojemnikach w lodówce, aby nie dochodziło do kontaktu z inną żywnością lub by nie spadały na nie krople.
- Dwugwiazdkowe przestrzenie do mrożenia żywności (jeśli są wymienione są odpowiednie do przechowywania wstępnie zmrożonej żywności, przechowywania lub produkcji lodów i produkcji kostek lodu.
- Jedno-, dwu- i trójgwiazdkowe przestrzenie nie są odpowiednie do mrożenia świeżej żywności.
- Jeśli zostawiasz urządzenie puste przez dłuższy czas, wyłącz je, rozmroź, wyczyść i zostaw drzwiczki otwarte, aby zapobiegać tworzeniu pleśni we wnętrzu urządzenia.

Umieszczaj różne rodzaje żywności w różnych przegródkach zgodnie z poniższą tabelą

Przestrzenie lodówki	Rodzaj żywności
Drzwi lub balkony lodówki	<ul style="list-style-type: none">• Żywność z substancjami konserwującymi pochodzenia naturalnego, jak na przykład dżemy, soki, napoje, przyprawy.• Nie przechowuj łatwo się psującej żywności.
Szuflada (szuflada na sałatę)	<ul style="list-style-type: none">• Owoce, zioła i warzywa powinno się umieszczać oddzielnie do pojemnika na warzywa.• Nie przechowuj bananów, cebuli, ziemniaków, czosnku w lodówce.
Półka lodówki - dno lodówki (box / szuflada)	<ul style="list-style-type: none">• Surowe mięso, drób, ryby (skrócony okres przechowywania).
Półka lodówki - środek	<ul style="list-style-type: none">• Produkty mleczne, jajka.
Półka lodówki - wierzch	<ul style="list-style-type: none">• Żywność, która nie potrzebuje gotowania, na przykład przeznaczona do bezpośredniego spożycia, delikatne mięso, resztki.

CZĘŚĆ 11: ELIMINACJA EWENTUALNYCH PROBLEMÓW

Jeśli występuje problem z urządzeniem lub uważasz, że urządzenie nie działa prawidłowo, możesz zrobić kilka prostych kroków przed tym jak wezwiesz serwis.



OSTRZEŻENIE!

Nie próbuj samodzielnie naprawiać urządzenia. Jeśli problem nie ustąpi po wykonaniu poniższych kroków, skontaktuj się z wykwalifikowanym elektrykiem, autoryzowanym centrum serwisowym lub sklepem, w którym urządzenie zostało zakupione.

Ważne! Podczas normalnego użytkowania mogą wystąpić pewne dźwięki (sprężarka, cyrkulacja czynnika chłodniczego).

Problem	Możliwa przyczyna	Rozwiązanie
Urządzenie nie działa.	Pokrętło regulacji temperatury jest ustawione na cyfrę „0”.	Ustaw pilot na inny numer, aby włączyć urządzenie.
	Wtyczka nie jest podłączona lub jest zwolniona.	Włóż wtyczkę sieciową.
	Bezpiecznik jest przepalony lub uszkodzony.	Sprawdź bezpiecznik, wymień w razie potrzeby.
	Gniazdko jest uszkodzone.	Usterki elektryczne muszą zostać usunięte przez elektryka.
Jedzenie jest bardzo gorące.	Temperatura nie jest ustawiona poprawnie.	Zapoznaj się ze wstępną częścią dotyczącą ustawiania temperatury.
	Drzwi były otwarte przez długi czas.	Otwierać drzwi tylko tak długo, jak to konieczne.
	W ciągu ostatnich 24 godzin w urządzeniu umieszczono dużą ilość gorącej żywności.	Tymczasowo obróć pokrętło regulacji temperatury do ustawienia niższej temperatury.
	Urządzenie znajduje się w pobliżu źródła ciepła.	Zobacz sekcje dotyczące lokalizacji instalacji.
Urządzenie bardzo się ochładza.	Temperatura jest bardzo niska.	Obróć pokrętło regulacji temperatury do cieplejszego ustawienia.
Niezwyczajne dźwięki.	Urządzenie nie stoi prosto.	Wyreguluj nóżki urządzenia.
	Urządzenie dotyka ściany lub innych przedmiotów.	Lekko pociągnij urządzenie.
	Komponent, np. Rura z tyłu urządzenia dotyka innej części urządzenia lub ściany.	W razie potrzeby ostrożnie zegnij ten element.
Zepsute światło.	-	Skontaktuj się z centrum serwisowym w celu naprawy lub wymiany.

Jeśli usterka wystąpi ponownie, skontaktuj się z centrum serwisowym.

Te informacje są potrzebne, aby pomóc Ci szybko i poprawnie. Wpisz tutaj niezbędne dane, zobacz tabliczkę znamionową.

Wskazówki dotyczące przechowywania

Uwzględnij poniższe wskazówki, aby nie dochodziło do psucia się żywności

- Długie otwieranie drzwiczek może spowodować znaczne podniesienie temperatury w częściach urządzenia.
- Regularnie czyść powierzchnie, które mogą mieć kontakt z żywnością oraz z dostępnymi systemami odwadniającymi.
- Surowe mięso i ryby umieść w odpowiednich pojemnikach w lodówce, aby nie dochodziło między nimi do kontaktu z inną żywnością i aby nie ciekła na nie woda.
- **Dwugwiazdkowe pojemniki na żywność mrożoną są odpowiednie do przechowywania uprzednio zamrożonej żywności, przechowywania lub produkcji lodów i produkcji kostek lodu.
- *Jedno -, dwu** - i trzygwiazdkowe ***pojemniki nie są odpowiednie do mrożenia świeżej żywności.

nr.	RODZAJ przestrzeni	Docelowa temperatura przechowywania [°C]	Odpowiednie jedzenie
1	Lodówka	+2 ~ +8	Jajka, posiłki gotowane, pakowane produkty spożywcze, owoce i warzywa, produkty mleczne, ciasta, napoje i inne produkty spożywcze nienadające się do zamrażania.
2	(***)*- Zamrażarka	≤ -18	Owoce morza (ryby, krewetki, skorupiaki), świeże słodkowodne produkty rybne i produkty mięsne (zalecany okres to 3 miesiące, im dłuższy okres przechowywania, tym gorszy smak i wartość odżywcza) odpowiedni do świeżej mrożonej żywności.
3	***- Zamrażarka	≤ -18	Owoce morza (ryby, krewetki, skorupiaki), świeże słodkowodne produkty rybne i produkty mięsne (zalecany okres to 3 miesiące, im dłuższy okres przechowywania, tym gorszy smak i wartość odżywcza) odpowiedni do świeżej mrożonej żywności.
4	** - Zamrażarka	≤ -12	Owoce morza (ryby, krewetki, skorupiaki), świeże słodkowodne produkty rybne i produkty mięsne (zalecany okres to 2 miesiące, im dłuższy okres przechowywania, tym gorszy smak i wartość odżywcza) nie nadaje się do świeżo mrożonej żywności.
5	* - Zamrażarka	≤ -6	Owoce morza (ryby, krewetki, skorupiaki), świeże słodkowodne produkty rybne i produkty mięsne (zalecany okres to 1 miesiąc, im dłuższy okres przechowywania, tym gorszy smak i wartość odżywcza) nie nadaje się do świeżo mrożonej żywności.
6	0 - gwiazdek	-6 ~ 0	Świeża wieprzowina, wołowina, ryby, kurczak, niektóre pakowane przetworzone produkty spożywcze itp. (Zaleca się spożywać tego samego dnia, najlepiej nie dłużej niż 3 dni). Częściowo pakowana żywność przetworzona (żywność niezamrażająca).

7	Chłodzenie	-2 ~ +3	Świeża / mrożona wieprzowina, wołowina, kurczak, świeże ryby słodkowodne itp. (Zaleca się spożywać tego samego dnia przez 7 dni w temperaturze poniżej 0 °C i temperaturze powyżej 0 °C, jeśli to możliwe, nie przechowywać przez dłużej niż 2 dni). Owoce morza (przechowywać w temperaturze poniżej 0 °C przez 15 dni, przechowywanie w temperaturze powyżej 0 °C nie jest zalecane).
8	Świeża żywność	0 ~ +4	Świeża wieprzowina, wołowina, ryby, kurczak, gotowane jedzenie itp. (zaleca się spożywać tego samego dnia, najlepiej nie dłużej niż 3 dni).
9	Wino	+5 ~ +20	Czerwone wino, białe wino, wino musujące itp.

Uwaga: Przechowuj różne produkty spożywcze zgodnie z zakupioną lokalizacją lub docelową temperaturą przechowywania produktów.

- W przypadku pozostawienia urządzenia chłodniczego pustego przez długi czas, należy je wyłączyć, rozmrozić, wyczyścić osuszyć i pozostawić otwarte drzwi, aby zapobiec tworzeniu się pleśni w urządzeniu.

Umiejscowienie żywności w urządzeniu

- Ziemniaków, cebuli i czosnku nie należy przechowywać w lodówce / zamrażarce
- W normalnych warunkach ustawienie temperatury w lodówce jest wystarczające do + 4 °C
- Temperatura lodówki powinna wynosić od 0 °C do 8 °C. Świeża żywność przechowywana w temperaturze poniżej 0 °C zamraża, gnije. Obciążenie bakteryjne wzrasta przy przechowywaniu w temperaturze powyżej 8 °C i psuje się żywność
- Nie wkładaj gorącej lub gorącej żywności do lodówki / zamrażarki, poczekaj aż ostygnie do temperatury pokojowej. Gorąca żywność podnosi temperaturę wewnątrz lodówki / zamrażarki i może powodować niepotrzebne psucie się i możliwe zatrucie pokarmowe.
- Mięso, ryby itp. Należy przechowywać w wyznaczonej komorze chłodniczej - jeśli jest dostępna
- Owoce i warzywa należy przechowywać w wyznaczonej komorze chłodniczej - jeśli jest dostępna
- Aby zapobiec zanieczyszczeniu produktów mięsnych bakteriami, nie przechowuj owoców i warzyw w wspólnej komorze. To samo jest prawdą na odwrót - skażenie owoców i warzyw bakteriami z produktów mięsnych.

CZĘŚĆ 12: ARKUSZ INFORMACYJNY

Arkusz informacyjny

PHILCO 

DELEGOWANE ROZPORZĄDZENIE KOMISJI (UE) 2019/2016

Nazwa lub znak producenta: PHILCO					
Adres producenta: PHILCO, FAST ČR, a.s. U Sanitasu 1621 Říčany 251 01, Czech Republic					
Znak identyfikacyjny modelu: PTB 113 EW					
Rodzaj sprzętu chłodniczego: Jednodrzwiowa lodówka z zamrażarką					
Urządzenie z niskim poziomem hałasu		Nie	Rodzaj urządzenia	wolnostojący	
Urządzenie do przechowywania wina		Nie	Inne urządzenia chłodnicze	Tak	
Podstawowe specyfikacje					
Parametr		Wartość	Parametr		Wartość
Rozmiary w mm	Wysokość	845	Całkowita objętość (dm ³ lub l)		113
	Szerokość	553			
	Głębokość	574			
Wskaźnik efektywności energetycznej (EEI)		100	Klasa efektywności energetycznej*		E
Akustyczny dźwięk emisji hałasu (dB(A) re 1 pW)		39	Klasa emisji hałasu akustycznego		C
Roczne zużycie energii (kWh/rok)		142	Klasa klimatyczna:		N/ST
Minimalna temperatura otoczenia (°C), dla której odpowiedni jest układ chłodzenia		16	Maksymalna temperatura otoczenia (°C), dla której odpowiedni jest układ chłodzenia		38
Nastawienie urządzenia na zimę		Nie			
Specyfikacja przestrzeni					
Rodzaj przestrzeni		Parametry i wartość przestrzeni chłodzącej			
		Objętość urządzenia (dm ³ lub l)	Zalecane ustawienie temperatury dla optymalnego przechowywania żywności (°C)	Zdolność zamrażania (kg/24h)	Rodzaj rozmrażania (automatyczne rozmrażanie = A ręczne rozmrażanie = M)
Spizarnia	Nie	-	-	-	-
Przechowywanie wina	Nie	-	-	-	-
Piwnica	Nie	-	-	-	-
Świeża żywność	Tak	97	0≤+4	-	M
Komora zamrażarki	Nie	-	-	-	-

0 – gwiazdek lub kostkarka do lodu	Nie	-	-	-	-
1-gwiazdka	Nie	-	-	-	-
2-gwiazdki	Nie	-	-	-	-
3-gwiazdki	Nie	-	-	-	-
4-gwiazdki	Tak	16	-18	2	M
2-gwiazdkowa przestrzeń	Nie	-	-	-	-
Szuflada ze zmienną temperaturą	Nie	-	-	-	-
4-gwiazdkowa przestrzeń					
Funkcja szybkiego zamrażania			Tak		
Rodzaj źródła światła			-		
Klasa efektywności energetycznej			-		
Minimalny okres gwarancji oferowany przez producenta: 24 miesiące					
Dodatkowe informacje:					
Link do strony internetowej producenta, na której są informacje o których mowa w pkt.4 lit. a) załącznika do rozporządzenia Komisji (UE) 2019/2022, można znaleźć na stronie: www.philco.cz					

* A (najwyższa wydajność) do G (najniższa wydajność)

INFORMACJE TECHNICZNE

Informacje techniczne można znaleźć na tabliczce znamionowej wewnątrz urządzenia oraz na etykiecie energetycznej. Kod QR na dostarczonej etykiecie energetycznej zawiera link do rejestracji urządzenia w unijnej bazie danych Eprei.

INFORMACJE O TESTACH

Dostarczone urządzenie jest zgodne z EcoDesign i EN62552-1:2020, EN 62552-2:2020, EN62552-3:2020, EN 60704-1:2020 + A11:2012, EN60704-2-14:2013+A11:2015+A1:2019. Wymagania dotyczące dostępu powietrza do prawidłowego działania urządzenia, minimalna odległość od ściany oraz wymiary urządzenia są częścią niniejszej instrukcji. W przypadku dalszych pytań prosimy o kontakt z producentem.

OBSŁUGA I OBSŁUGA KLIENTA

Zawsze używaj oryginalnych części zamiennych.

Oznakowanie modelu i numer serii znajdziesz na tablicy znamionowej. Pozycję tablicy znamionowej można zmienić bez uprzedniego ostrzeżenia. Oryginalne części zamienne dla niektórych konkretnych komponentów są do dyspozycji min. 7 lub 10 lat. Jest to zależne od typu komponentu oraz od wprowadzenia ostatniego urządzenia danego modelu na rynek.

Kontaktując się z naszym autoryzowanym serwisem, należy mieć dostępne oznaczenie modelu, numer seryjny i opis wady.

Aby pobrać dokumenty, odwiedź www.philco.pl.

Aby zgłosić usterkę i uzyskać dodatkowe informacje serwisowe, odwiedź www.philco.pl/sposoby-zglaszania-reklamacji-gwarancyjnej.

Zastrzega się możliwość zmian bez powiadomienia.

WSKAZÓWKI O INFORMACJE DOTYCZĄCE LIKWIDACJI ZUŻYTYCH OPAKOWAŃ

Materiały z opakowań zlikwiduj w publicznym punkcie likwidacji odpadów.

LIKWIDACJA ZUŻYTYCH URZĄDZEŃ ELEKTRYCZNYCH I ELEKTRONICZNYCH



Znaczenie symbolu na produkcie, jego akcesoriach lub opakowaniu oznacza, że z tym produktem nie wolno obchodzić się, jak ze zwykłym odpadem komunalnym. Zlikwiduj ten produkt w odpowiednim punkcie zbiórki i recyklingu odpadów z urządzeń elektrycznych i elektronicznych. Ewentualnie w niektórych państwach Unii Europejskiej lub innych państwach europejskich jest możliwy zwrot produktu lokalnemu sprzedawcy, w przypadku zakupu podobnego nowego produktu. Odpowiednia likwidacja tego produktu pomoże oszczędzić cenne źródła naturalne i pomoże w prewencji ewentualnego negatywnego wpływu na środowisko i zdrowie ludzkie, do którego mogłoby dojść w wyniku niewłaściwej likwidacji odpadów. Szczegółowe informacje uzyskasz od lokalnego urzędu lub w najbliższym centrum zbiórki odpadów. Niewłaściwa likwidacja tego typu odpadu może podlegać wewnątrzpaństwowym przepisom o mandatach.

Informacja dla firm w Unii Europejskiej

Jeśli chcesz zlikwidować urządzenie elektryczne lub elektroniczne, poproś o potrzebne informacje swojego sprzedawcę lub dostawcę.

Likwidacja w innych państwach poza Unią Europejską

Jeśli chcesz zlikwidować ten produkt, poproś o niezbędne informacje o odpowiednim sposobie likwidacji w miejscowym urzędzie lub u swojego sprzedawcy.



Ten produkt spełnia wszystkie podstawowe wymagania rozporządzenia UE, które się do niego stosują.

Zmiany w tekście, dizajnie i danych technicznych mogą się pojawić bez uprzedniego ostrzeżenia i zastrzegamy sobie prawo do wykonania tychże zmian.



OSTRZEŻENIE! PODCZAS UŻYWANIA, SERWISOWANIA ORAZ LIKWIDACJI ZWRÓĆ UWAGĘ NA SYMBOL PODOBNY DO TEGO PO LEWEJ STRONIE, KTÓRY JEST UMIESZCZONY NA TYLNEJ STRONIE URZĄDZENIA (TYLNY PANEL LUB KOMPRESOR) O ŻÓŁTYM LUB POMARAŃCZOWYM KOLORZE.



JEST TO SYMBOL OSTRZEGAWCZY O RYZYKU POŻARU. SĄ TU MATERIAŁY PALNE RUR I KOMPRESOR. BĄDŹ Z DAŁA OD ŹRÓDEŁ OGNIA PODCZAS UŻYWANIA, OBSŁUGI URZĄDZENIA I LIKWIDACJI.

HŰTŐSZEKRÉNY

HASZNÁLATI UTASÍTÁS

PHILCO



Famous for Quality the World Over

PTB 113 EW

**Tisztelt vásárlónk,
Köszönjük, hogy PHILCO terméket vásárolt. Kérjük, hogy a készülék helyes használata érdekében olvassa el az útmutatóban összefoglalt használati utasításokat.**

TARTALOM

1. RÉSZ: BIZTONSÁGI UTASÍTÁSOK	2
2. RÉSZ: A KÉSZÜLÉK RÉSZEI	11
A KÉSZÜLÉK FŐ RÉSZEI	11
3. RÉSZ: A HŰTŐSZEKRENY KICSOMAGOLÁSA	12
4. RÉSZ: TISZTÍTÁS ÜZEMBE HELYEZÉS ELŐTT	12
5. RÉSZ: A MEGFELELŐ HELY KIVÁLASZTÁSA	12
6. RÉSZ: CSATLAKOZTATÁS A HÁLÓZATHOZ	13
A FÖLDELÉS JAVASOLT FORMÁJA	13
7. RÉSZ: SZINTEZÉS	13
8. RÉSZ: HASZNÁLAT	14
HŐMÉRSÉKLET BEÁLLÍTÁSA (OPCIONÁLIS)	14
FRISS ÉLELMISZER TÁROLÁSA	14
FAGYASZTOTT ÉLELMISZER TÁROLÁSA	15
LEOLVASZTÁS.....	15
TISZTÍTÁS	16
9. RÉSZ: KIKAPCSOLÁS HOSSZABB IDŐRE	16
10. RÉSZ: AZ AJTÓ MEGFORDÍTÁSA (OPCIONÁLIS)	17
ENERGIATAKARÉKOSSÁGI TIPPEK.....	22
MINDENNAPOS HASZNÁLAT	22
11. RÉSZ: HIBAELEHÁRÍTÁS	23
TÁROLÁSI UTASÍTÁSOK	24
RÉSZ ÉLELMISZEREK ELHELYEZÉSE A KÉSZÜLÉKBEN	25
12. RÉSZ: TERMÉK LAP	26
MŰSZAKI INFORMÁCIÓK.....	28
VIZSGÁLATI INFORMÁCIÓK.....	28
ÜGYFÉLKÖRNYEZET ÉS SZOLGÁLTATÁS.....	28
A CSOMAGOLÓANYAG SELEJTEZÉSÉRE VONATKOZÓ SZABÁLYOK ÉS TUDNIVALÓK.....	29
A HASZNÁLT ELEKTROMOS ÉS ELEKTRONIKUS KÉSZÜLÉKEK SELEJTEZÉSE	29



A készülék tesztelése az Európai Unió vonatkozó irányelvei szerint zajlott.

A készülék megfelel az Európai Unióban érvényes, elektromos készülékekre vonatkozó biztonsági előírásoknak.

1. RÉSZ: BIZTONSÁGI UTASÍTÁSOK



SZEMÉLYES BIZTONSÁGA ÉS A KÉSZÜLÉK HELYES HASZNÁLATA MIATT KÉRJÜK, HOGY A KÉSZÜLÉK BESZERELÉSE ÉS ÜZEMBE HELYEZÉSE ELŐTT OLVASSA EL FIGYELMESEN EZT A HASZNÁLATI UTASÍTÁST, A TANÁCSOKAT ÉS A FIGYELMEZTETÉSEKET. A HIBÁK ÉS SÉRÜLÉSEK ELKERÜLÉSE ÉRDEKÉBEN GONDOSKODNI KELL ARRÓL, HOGY A KÉSZÜLÉKET HASZNÁLÓ SZEMÉLYEK TISZTÁBAN LEGYENEK A HASZNÁLAT MÓDJÁVAL ÉS A BIZTONSÁGI FUNKCIÓKKAL. ŐRIZZE MEG AZ ÚTMUTATÓT. A KÉSZÜLÉK ELADÁSA ESETÉN MELLÉKELJE HOZZÁ A HASZNÁLATI UTASÍTÁST IS ÚGY, HOGY ANNAK TELJES ÉLETTARTAMA ALATT KÉZNÉL LEGYEN ÉS BIZTOSÍTANI TUDJA A HELYES ÉS BIZTONSÁGOS HASZNÁLATOT. BIZTONSÁGI ÉS TULAJDONVÉDELMI OKOKBÓL BE KELL TARTANI AZ ÚTMUTATÓ UTASÍTÁSAIT, MERT A GYÁRTÓ NEM VÁLLAL FELELŐSSÉGET AZ UTASÍTÁSOK MELLŐZÉSE MIATT FELLÉPŐ ANYAGI KÁROKÉRT.

- A KÉSZÜLÉKET HASZNÁLHATJÁK 8 ÉVNÉL IDŐSEBB GYERMEKEK ÉS KORLÁTOZOTT FIZIKAI, ÉRZÉKSZERVI ÉS MENTÁLIS KÉPESSÉGŰ, VAGY KELLŐ TAPASZTALATOKKAL NEM RENDELKEZŐ SZEMÉLYEK IS, HA FELÜGYELNEK RÁJUK ÉS TISZTÁBAN VANNAK A KÉSZÜLÉK HELYES ÉS BIZTONSÁGOS HASZNÁLATÁVAL ÉS A FENNÁLLÓ VESZÉLYEKSEL.
- 3 -8 ÉVES KORÚ GYEREKEK A TERMÉKET ÉLELMISZER BEHELYEZÉSÉRE ÉS KIEMELÉSÉRE HASZNÁLHATJÁK.
- A KÉSZÜLÉKKEL NEM JÁTSZHATNAK GYERMEKEK.
- A TISZTÍTÁST ÉS ÁPOLÁST NEM VÉGEZHETIK GYERMEKEK FELÜGYELET NÉLKÜL.

- A SÉRÜLT TÁPKÁBELT A FENNÁLLÓ VESZÉLYEK MIATT CSAK A MÁRKASZERVIZ CSERÉLHETI KI. TILOS HASZNÁLNI A KÉSZÜLÉKET, HA MEGSÉRÜLT A TÁPKÁBEL.

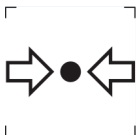
- **FIGYELEM:** HA AZ ÖN MODELLJÉN A JÉGKÉSZÍTŐ NEM CSATLAKOZIK A VÍZVEZETÉKHEZ, AKKOR CSAK IVÓVÍZZEL SZABAD FELTÖLTENI.

- **VIGYÁZAT:** TARTSA TISZTÁN ÉS AKADÁLYMENTESEN A TERMÉKEN VAGY A BEÉPÍTETT SZEKRÉNYEN LEVŐ SZELLŐZŐNYÍLÁSOKAT.

- **VIGYÁZAT:** NE HASZNÁLJON MECHANIKUS ESZKÖZÖKET A LEOLVASZTÁS MEGGYORSÍTÁSÁHOZ, CSAK HA A GYÁRTÓ JAVASOLJA AZOKAT.

- **VIGYÁZAT:** NEM SZABAD MEGRONGÁLNI A HŰTŐKÖRT.

- **VIGYÁZAT:** A KÉSZÜLÉK BELSŐ TÁROLÓTERÉBEN TILOS AZ ELEKTROMOS ESZKÖZÖK HASZNÁLATA, KIVÉVE, HA A GYÁRTÓ JAVASOLJA AZOKAT.



ISO 7000-1701 (2004-01)

A JELZÉS JELENTÉSE: NYOMÁS ALATT LÉVŐ MÉDIUM.

EZ A KÉSZÜLÉK HÁZTARTÁSOKBAN ÉS HASONLÓ HELYEKEN HASZNÁLHATÓ, MINT PÉLDÁUL:

- KLKALMAZOTTAK KONYHÁJÁBAN BOLTOKBAN, IRODÁKBAN ÉS MÁS MUNKAHELYEKEN;
- FARMOK, HOTELEK, MOTELEK ÉS MÁS SZÁLLÁSHELYEK VENDÉGEI ÁLTAL;
- REGGELIT SZOLGÁLTATÓ SZÁLLÁSHELYEKEN;
- CATERING ÉS MÁS KISKERESKEDELMI JELLEGŰ HASZNÁLAT.

CSAK NÉHÁNY HŰTŐSZEKRENY-MODELL RENDELKEZIK JÉGKÉSZÍTŐVEL IS. A BEÉPÍTETT JÉGKÉSZÍTŐ SZERELÉSÉT CSAK A GYÁRTÓ VAGY A MÁRKASZERVIZ VÉGEZHETI EL.

- VÍZVEZETÉKHEZ CSATLAKOZTATOTT JÉGKÉSZÍTŐVEL RENDELKEZŐ MODELLEK ESETÉBEN: **FIGYELEM:** KIZÁRÓLAG IVÓVÍZHEZ SZABAD BEKÖTNI.
- **FIGYELEM:** A KÉSZÜLÉKET AZ ÚTMUTATÓ SZERINT KELL TELEPÍTENI, A FELBORULÁS VESZÉLYÉNEK ELKERÜLÉSE VÉGETT.
- **FIGYELEM:** A HŰTŐRENDSZERBEN KERINGŐ HŰTŐKÖZEG NAGY NYOMÁS ALATT VAN. NE NYÚLJON A HŰTŐRENDSZERHEZ. A JAVÍTÁSOKAT CSAK SZAKKÉPZETT SZEMÉLYEK VÉGEZHETIK EL.



VIGYÁZAT:

NEBEZPEČENSTVO POŽIARU/HORĽAVÉ MATERIÁL!Y!

OBSAHUJE CHLADIACI PLYN IZOBUTÁN

R600a

HŰTŐKÖZEG

A HŰTŐKÖRBEŒEN KERINGŐ IZOBUTÁN (R600a) EGY TERMÉSZETES ÉS KÖRNYEZETBARÁT GÁZ, DE ENNEK ELLENÉRE IS GYŰLÉKONY. SZÁLLÍTÁS KÖZBEN ÓVNI KELL A HŰTŐKÖR RÉSZEIT A SÉRŰLÉSEKTŐL. A HŰTŐKÖZEG (R600a) GYŰLÉKONY.

• **VIGYÁZAT** — A HŰTŐSZEKRENYEK HŰTŐKÖZEGET ÉS HŰTŐGÁZOKAT TARTALMAZNAK. A HŰTŐKÖZEGET ÉS A HŰTŐGÁZOKAT SZAKSZERŰEN KELL SELEJTEZNI, MERT SZEMSÉRŰLÉSEKET OKOZHATNAK VAGY MEGGYULLADHATNAK. SELEJTEZÉS ELŐTT ELLENŐRIZZE A HŰTŐVEZETÉK SÉRTETLENSÉGÉT.



A JELZÉS ARRA FIGYELMEZTET, HOGY A HŰTŐKÖZEG ÉS A SZIGETELŐ GÁZOK GYŰLÉKONYAK.

VIGYÁZAT: TŰZVESZÉLY – GYŰLÉKONY ANYAGOK

A HŰTŐKÖZEG SÉRÜLÉSE ESETÉN:

- KERÜLJE A NYÍLT TÜZET ÉS A TŰZVESZÉLYES HELYEKET.
- ALAPOSAN SZELLŐZTESSE KI A HELYSÉGET, AHOL A KÉSZÜLÉK ÁLL.

A KÉSZÜLÉK BÁRMILYEN VÁLTOZTATÁSA VAGY MÓDOSÍTÁSA VESZÉLYES LEHET.

A TÁPKÁBEL MINDEN SÉRÜLÉSE ZÁRLATOT, TÜZET ÉS/VAGY ÁRAMÜTÉST OKOZHAT.

● **FIGYELEM:** A HŰTŐKÖZEG A HŰTŐRENDSZERBEN NAGY NYOMÁS ALATT VAN. NE NYÚLJON A HŰTŐRENDSZERHEZ. A JAVÍTÁSOKAT CSAK KÉPZETT SZEMÉLYEK VÉGEZHETIK EL.

● **FIGYELEM:** A KÉSZÜLÉK ELHELYEZÉSÉNÉL ÓVNI KELL A TÁPKÁBELT A BECSÍPÓDÉSTŐL ÉS SÉRÜLÉSEKTŐL.

● **FIGYELEM:** NE HELYEZZEN TÖBBRÉSZES HORDOZHATÓ ALJZATOT VAGY MOBIL TÁPFORRÁSOKAT A KÉSZÜLÉK HÁTSÓ RÉSZÉHEZ.



ELEKTROMOS BIZTONSÁG

1. NEM SZABAD MEGHOSSZABBÍTANI A TÁPKÁBELT.
2. ELLENŐRIZZE A CSATLAKOZÓDUGÓ SÉRTETLENSÉGÉT. A MEGRONGÁLT VAGY SÉRÜLT CSATLAKOZÓDUGÓ FELFORRÓSODHAT ÉS TÜZET OKOZHAT.
3. BIZTOSÍTANI KELL A CSATLAKOZÓDUGÓ JÓ HOZZÁFÉRHEŐSÉGÉT.
4. NE HÚZZA A TÁPKÁBELT.

5. NE CSATLAKOZTASSA A KÁBELT EGY KILAZULT DUGALJHOZ. FENNÁLL AZ ÁRAMÜTÉS VAGY TŰZKÉPZŐDÉS VESZÉLYE.
6. NE ÜZEMELTESSE A KÉSZÜLÉKET A BELSŐ IZZÓ BURKOLATA NÉLKÜL.
7. A HŰTŐSZEKRENY TÁPELLÁTÁSÁT EGYFÁZISÚ 220-240 V~/50 Hz VÁLTAKOZÓ ÁRAM BIZTOSÍTJA. HA A HELYI HÁLÓZAT FESZÜLTSGÉNEK INGADOZÁSA OLYAN MÉRTÉKŰ, HOGY AZ ÉRTÉKEK A TARTOMÁNYOK KÍVÜL ESNEK, BIZTONSÁGI OKOKBÓL AUTOMATIKUS FESZÜLTSG-SZABÁLYOZÓT KELL HASZNÁLNI 350 W-NÁL MAGASABB ÉRTÉKKEL.

A HŰTŐSZEKRENYT MÁΣ ELEKTROMOS ESZKÖZÖKKEL KÖZÖS ELOSZTÓ ALJZAT HELYETT EGY SPECIÁLIS, ÖNÁLLÓ ÉΣ FÖLDELT HÁLÓZATI ALJZATHOZ KELL CSATLAKOZTATNI.

MINDENNAPOS HASZNÁLAT

- NE TÁROLJON GYŰLÉKONY GÁZOKAT ÉΣ FOLYADÉKOKAT A KÉSZÜLÉKBEN. ROBBANÁSVESZÉLY!
- NE HASZNÁLJON MÁΣ ELEKTROMOS ESZKÖZÖKET (PL. ELEKTROMOS FAGYLALTGÉPET, TURMIXGÉPET STB.) A KÉSZÜLÉKBEN.
- A KÉSZÜLÉK LEVÁLASZTÁSÁNÁL MINDIG A CSATLAKOZÓDUGÓT KELL MEGFOGNI. NE HÚZZA MAGÁT A KÁBELT.
- NE HELYEZZEN FORRÓ TÁRGYAKAT A KÉSZÜLÉK MŰANYAG RÉΣZEINEK KÖZELÉBE.
- NE HELYEZZEN SEMMIT A KÉSZÜLÉK SZELLŐZŐNYÍLÁSAI KÖZELÉBE A HÁTLAGON.
- A FAGYASZTOTT CSOMAGOLT ÉLELMISZERT A GYÁRTÓ CÉG UTASÍTÁSAI SZERINT KELL TÁROLNI SZIGORÚAN BE KELL TARTANI A GYÁRTÓ TÁROLÁSRA VONATKOZÓ UTASÍTÁSAIT. OLVASSA EL AZ UTASÍTÁSOKAT.

- NE HELYEZZEN SZÉNSAVAS VAGY HABZÓ ITALOKAT A FAGYASZTÓTÉRBE, MERT EZEK NYOMÁST GYAKOROLNAK A TÁROLÓEDÉNYRE, AMELY ÍGY FELROBBANHAT ÉS A KÉSZÜLÉK KÁROSODÁSÁT OKOZHATJA.
- NE FOGYASSZON FAGYASZTOTT ÉLELMISZERT KÖZVETLENÜL KIEMELÉS UTÁN, MERT FENNÁLL A SÉRÜLÉSEK VESZÉLYE.
- NE HELYEZZE NAPSÜTÖTT HELYRE A KÉSZÜLÉKET.
- ÉGŐ GYERTYÁKAT, LÁMPÁKAT ÉS MÁS, NYÍLT LÁNGGAL MŰKÖDŐ ESZKÖZÖKET A TŰZKÉPZŐDÉS VESZÉLYE MIATT A KÉSZÜLÉKTŐL BIZTONSÁGOS TÁVOLSÁGBAN KELL HASZNÁLNI.
- A KÉSZÜLÉK ÉTELEK ÉS/VAGY ITALOK TÁROLÁSÁRA SZOLGÁL HÁZTARTÁSOKBAN, AZ ÚTMUTATÓ SZERINT. A KÉSZÜLÉK NEHÉZ. ÁTHELYEZÉSÉNÉL FOKOZOTT ÓVATOSSÁGRA VAN SZÜKSÉG.
- NE EMELJEN KI ÉS NE ÉRINTSEN MEG SEMMIT A FAGYASZTÓTÉRBE VIZES VAGY NEDVES KÉZZEL. EZ FELSÉRTHETI A BŐRT VAGY FAGYÁSI SÉRÜLÉSEKET OKOZHAT.
- NEM SZABAD A KÉSZÜLÉKBE LÉPNI VAGY AZ ALJZATNÁL, AJTÓNÁL STB. FOGVA MEGEMELNI A KÉSZÜLÉKET.
- A FAGYASZTOTT ÉLELMISZERT KIOLVASZTÁS UTÁN NEM SZABAD ISMÉT LEFAGYASZTANI.
- NE FOGYASSZON JÉGKRÉMET VAGY JÉGKOCKÁKAT KÖZVETLENÜL KIEMELÉSÜK UTÁN A FAGYASZTÓBÓL, MERT FAGYÁSI SÉRÜLÉSEKET OKOZHATNAK AZ AJKAKON VAGY A SZÁJÜREGBEN.
- A BEHELYEZETT TÁRGYAK KIESÉSE, VALAMINT SÉRÜLÉSEK ÉS ANYAGI KÁROK MEGELŐZÉSE MIATT NEM SZABAD TŰLTERHELNI A REKESZKET ÉS TŰL SOK ÉTELT HELYEZNI A FIÓKOKBA.

SZERELÉS

FONTOS!

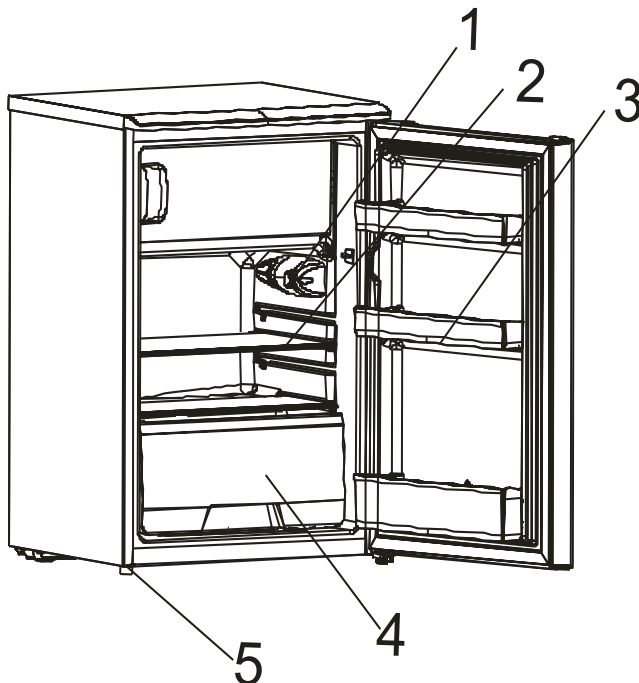
- A CSATLAKOZTATÁSNÁL AZ ELEKTROMOS HÁLÓZATHOZ BE KEL TARTANI AZ ÚTMUTATÓ UTASÍTÁSAIT. CSOMAGOLJA KI ÉS ELLENŐRIZZE A KÉSZÜLÉKET SÉRÜLÉSEK SZEMPONTJÁBÓL.
 - SÉRÜLT KÉSZÜLÉKET NEM SZABAD CSATLAKOZTATNI. ILYEN ESETBEN ÉRTESÍTSE AZ ELADÓT ÉS ŐRIZZE MEG A CSOMAGOLÓANYAGOT.
 - CSATLAKOZTATÁS ELŐTT HAGYJA ÁLLNI NÉHÁNY ÓRÁN ÁT A KÉSZÜLÉKET, EZ ELŐSEGÍTI AZ OLAJ EGYENLETES ELOSZLÁSÁT A KOMPRESSZORBAN.
- A KÉSZÜLÉK KÖRÜL GONDOSKODNI KELL A JÓ LÉGÁRAMLÁSRÓL, KÜLÖNBEN TÚLMELEGEDHET. TARTSA BE A SZELLŐZÉSRE VONATKOZÓ SZERELÉSI UTASÍTÁSOKAT.
- A KÉSZÜLÉK HÁT LAPJA LEHETŐLEG NE LEGYEN TÚL KÖZEL A FALHOZ, ÉS NE ÉRJEN A FORRÓ RÉSZEKHEZ (KOMPRESSZOR, KONDENZÁTOR), MERT FENNÁLL A TŰZKÉPZŐDÉS VESZÉLYE. TARTSA BE A VONATKOZÓ SZERELÉSI UTASÍTÁSOKAT.
 - NE HELYEZZE FŰTŐTESTEK ÉS GÁZTŰZHELYEK KÖZELÉBE A KÉSZÜLÉKET.
 - SZERELÉS UTÁN GYŐZŐDJÖN MEG ARRÓL, HOGY A CSATLAKOZÓDUGÓ KÖNNYEN HOZZÁFÉRHETŐ.
 - TÁROLJA GYERMEKEKTŐL TÁVOL AZ ÖSSZES CSOMAGOLÓANYAGOT, FENNÁLL A FULLADÁS VESZÉLYE.

- A HŰTŐSZEKRENY / FAGYASZTÓ BELSEJE AZ ELSŐ HASZNÁLAT ELŐTT SZAGOLHAT. EZ NORMÁLIS. A SZAG ELTŰNIK, AMINT A KÉSZÜLÉK HŰLNI/FAGYNI KEZD.
- A HŰTŐSZEKRENY / FAGYASZTÓ CSATLAKOZTATÁSA ELŐTT ELLENŐRIZZE, HOGY A HÁLÓZATI FESZÜLTÉG MEGFELEL-E A HŰTŐSZEKRENY / FAGYASZTÓ CSATLAKOZTATÁSÁRA VONATKOZÓ KÖVETELMÉNYEKNEK. HA KÉTSÉGEI VANNAK, FORDULJON SZAKKÉPZETT VILLANYSZERELŐHÖZ.
- A KÉSZÜLÉKET MEGFELELŐ FESZÜLTÉGŰ ALJZATHOZ KELL CSATLAKOZTATNI, ÉS MEGFELELŐEN BE KELL SZERELNI A BIZTOSÍTÉKOT.
- A HŰTŐSZEKRENYT / FAGYASZTÓT TILOS A SZABADBAN ELHELYEZNI ÉS ESŐNEK KITENNI.
- A HŰTŐSZEKRENYT / FAGYASZTÓT LEGALÁBB 50 CM-RE KELL ELHELYEZNI A FŰTŐTESTEKTŐL, FŰTŐCSÖVEKTŐL, GÁZVEZETÉKEKTŐL STB.
- HA A FAGYASZTÓVAL ELLÁTOTT HŰTŐSZEKRENY A FAGYASZTÓ MELLETT TALÁLHATÓ, AKKOR MIN. 2 CM TÁVOLSÁG
- NE TEGYEN NEHÉZ TÁRGYAKAT A HŰTŐSZEKRENYRE / FAGYASZTÓRA, NE TAKARJA LE.
- A HŰTŐSZEKRENY / FAGYASZTÓ FELETT MIN. 150 MM SZABAD HELY.
- EZ A KÉSZÜLÉK HÁZTARTÁSI HASZNÁLATRA KÉSZÜLT, ÉS CSAK ÉLELMISZEREK HŰTÉSÉRE / FAGYASZTÁSÁRA ALKALMAS. NEM ALKALMAS KERESKEDELMI CÉLÚ FELHASZNÁLÁSRA ÉS / VAGY ÉLELMISZEREKEN KÍVÜLI ANYAGOK TÁROLÁSÁRA. A GYÁRTÓ NEM VÁLLAL FELELŐSSÉGET A KÉSZÜLÉK NEM RENDELTESSZERŰ HASZNÁLATÁBÓL EREDŐ KÁROKÉRT.

2. RÉSZ: A KÉSZÜLÉK RÉSZEI

Az ilyen típusú hűtőszekrények elsősorban szállodákban, irodákban, kollégiumokban használatosak. Ez a készülék élelmiszer, italok és gyümölcs hűtésére és tárolására alkalmas. Előnye az alacsony tömeg, alacsony áramfogyasztás és egyszerű használat.

A készülék fő részei



- 1 Termostát
- 2 Üvegpolc
- 3 Műanyag polc
- 4 Frissentartó rekesz
- 5 Szintező láb

Megjegyzések:

Hűtőrész (hűtőszekrény) - A leghatékonyabb energiafelhasználást a készülék alsó részében elhelyezett fiókokkal és egyenletesen elosztott polcokkal ellátott konfiguráció biztosítja. Az ajtónyitás iránya nem befolyásolja az energiafogyasztást.

Fagyasztó - A leghatékonyabb energiafelhasználást olyan konfiguráció biztosítja, ahol a fiókok megfelelően vannak behelyezve.

3. RÉSZ: A HŰTŐSZEKRENY KICSOMAGOLÁSA

VIGYÁZAT!

A készülék felemeléséhez legalább két személyre van szükség. Ellenkező esetben fennáll a sérülések veszélye.

- Használat előtt távolítsa el valamennyi ragasztószalagot és matricát (az adatlap kivételével).
- Ujjával óvatosan távolítsa el a szalagok vagy a ragasztó maradványait.
- A szalagok és ragasztó nyomainak egyszerűbb eltávolításához először mártsa az ujját folyékony szappanba, tisztítás után pedig öblítse le vízzel és szárítsa meg a helyet.
- Ne használjon éles tárgyakat, alkoholt, gyúlékony folyadékokat vagy csiszolószereket a szalagok és ragasztók eltávolításához, mert az ilyenek megrongálhatják a készülék felületét.
- Ne billentse meg a hűtőszekrényt 45°-nál nagyobb szögben. A hűtőt mindig függőleges helyzetben kell tárolni.

4. RÉSZ: TISZTÍTÁS ÜZEMBE HELYEZÉS ELŐTT

A csomagolás (főleg a kondenzátor és a külső váz közötti habzivacs) eltávolítása után tisztítsa meg a belső teret. Csak ezután szabad használni a készüléket.

5. RÉSZ: A MEGFELELŐ HELY KIVÁLASZTÁSA

VIGYÁZAT!

Gyúlékony anyagokat, mint pl. a benzin, biztonságos távolságban kell tárolni a készüléktől, ellenkező esetben fennáll a robbanások, sérülések, égési sebek vagy halálos sérülések veszélye.

- A jó szellőzés érdekében a fal és a készülék oldallapja között legalább 200 mm rést kell hagyni. Ugyancsak legalább 200 mm rést kell számítani a hűtőszekrény hátlapja és a fal között, valamint 300 mm üres teret a készülék felülete és a mennyezet között.
- Ha szilárd fal mellé szeretné helyezni a hűtőszekrényt, az ajtópánt felén elegendő szabad teret kell hagyni a készülék ajtajának kinyitásához.
- A készüléket sohasem szabad hőforrások mellé helyezni. Ne tegye ki közvetlen napsugarak hatásának.

6. RÉSZ: CSATLAKOZTATÁS A HÁLÓZATHOZ

VIGYÁZAT!

NE TÁVOLÍTSA EL A FÖLDELÉST.
NE HASZNÁLJON ADAPTERT.
NE HASZNÁLJON HOSSZABBÍTÓ KÁBELT.

Ezen szabályok be nem tartása halálos sérüléseket, tüzképződést vagy áramütést okozhat.

Mielőtt végleges helyére tenné a hűtőt, győződjön meg arról, hogy megfelelő csatlakozó aljzat van ott.

A földelés javasolt formája

A hűtőszekrény javasolt csatlakozási paraméterei a következők: AC220 - 240 V /50 Hz , 10 amper biztosítókkal. A készüléket megfelelően le kell földelni. Kérjük, csatlakoztassa a hűtőszekrényt egy önálló áramkörhöz, amelyhez nincsenek más elektromos készülékek csatlakoztatva. Olyan dugaljat kell használni, amit nem lehet kikapcsolni egy kapcsolóval, vagy egy zsinór meghúzásával. Ne használjon hosszabbító kábelt.

MEGJEGYZÉS!

Minden szerelés előtt le kell választani a hűtőszekrényt az áramkörrel. A szerelés befejezése után csatlakoztassa a készüléket az áramkörhöz és állítsa be szükség szerint.

7. RÉSZ: SZINTEZÉS

Amennyiben a szerelésnél nem ügyel a készülék kiegyenlítésére, az ajtó esetleg nem fog jól záródni, és a tömítés sem lesz tökéletes, ami hűtéssel, fagyasztással vagy a nedvességgel kapcsolatos problémákat okozhat. Nagyon fontos a készülék megfelelő szintezése – csak így működhet helyesen. A készülék szintezéséhez használja a szintező lábat a készülék elülső részén. A szintező láb elfordításával az óramutató járásának irányában meg lehet emelni az adott rész. A szintező láb elfordításával az óramutató járásával ellenkező irányban az adott rész alacsonyabba kerül.

MEGJEGYZÉS!

A szintezés egyszerűbb lesz, ha egy személy megnyomja a hűtő felső részét, míg a másik személy elfordítja a szintező lábat.

8. RÉSZ: HASZNÁLAT

Az optimális hűtés eléréséhez elengedhetetlen a hűtőszekrény megfelelő használata.

A környezeti hőmérsékleti tartomány rövidítése, azaz SN, N, ST vagy T, az éghajlati osztályok meghatározásában:

1. a kiterjesztett mérsékelt öv (SN) hőmérsékleti tartománya 10 °C és 32 °C között van;
2. a mérsékelt égövi zóna (N) hőmérséklete 16 °C és 32 °C között van;
3. a szubtrópusi zóna (ST) hőmérséklete 18 °C és 38 °C között van;
4. a trópusi zóna (T) hőmérsékleti tartománya 18 °C és 43 °C között van.

Hőmérséklet beállítása (opcionális)

A hűtő és mélyhűtő vezérlőelemei a hűtőtér rekeszében találhatók. Üzembe helyezésnél állítsa a termosztátot „3” értékre. Hűtse le teljesen a készüléket az élelmiszer behelyezése előtt. A legjobb eredményhez javasoljuk a 24 órán át tartó hűtést az étel behelyezése előtt.

Állítsa be a hőmérsékletet a hőmérséklet-szabályozóval. Minél magasabb a beállítás, annál hosszabb ideig működik a kompresszor az alacsony hőmérséklet fenntartásához.

A készülék nem hűt, ha a termosztát OFF beállításon van.

A hűtő és mélyhűtő vezérlőelemei a hűtőtér rekeszében találhatók. Üzembe helyezésnél állítsa a termosztátot „4” értékre. Hűtse le teljesen a készüléket az élelmiszer behelyezése előtt. A legjobb eredményhez javasoljuk a 24 órán át tartó hűtést az étel behelyezése előtt.

Állítsa be a hőmérsékletet a hőmérséklet-szabályozóval. A „cool” beállítás a legmagasabb, a „cooler” pedig a legalacsonyabb beállítást jelenti.

A készülék nem hűt, ha a termosztát OFF beállításon van.

Friss élelmiszer tárolása

Az élelmiszert légmentes csomagolásban kell tárolni, amely a nedvességet sem engedi át. Csak így lehet meggátolni a szagok és ízek keveredését a hűtőszekrényben.

• Gyümölcs

Mossa meg, törölje szárazra és tárolja műanyag tasakokban a frissentartó rekeszben.

• Levélzöldség

Csomagolja ki, vágja vagy tépje le a színtelen, sérült részeket, öblítse le hideg vízzel. Tárolja műanyag tasakban vagy műanyag dobozban a frissentartó rekeszben.

• Halak

A friss halat a vásárlás napján kell elfogyasztani.

• Hús

A legtöbb húst az eredeti csomagolásban javasolt tárolni, amennyiben az légmentes és nem szivárog. Szükség esetén csomagolja be újra a húst.

• Egyéb

Csomagolja műanyag tasakba vagy alufóliába az ételt.

Szilárd fedelű műanyag dobozok is alkalmasak a tároláshoz.

Fagyasztott élelmiszer tárolása

A fagyasztótér fagyasztott ételek tárolására és élelmiszer fagyasztására használatos.

A sikeres fagyasztás titka a megfelelő csomagolás. Az élelmiszert úgy kell becsomagolni, hogy a csomag légmentes és szivárgásmentes legyen. Ellenkező esetben számolni kell az ízek és szagok keveredésével, ráadásul az étel ki is száradhat.

MEGJEGYZÉS!

Soha ne helyezzen csomagolt élelmiszert és italokat a mélyhűtőbe.

A legjobb hűtéshez elegendő teret kell hagyni a mélyhűtőben és a hűtőszekrényben a levegő áramlásának biztosításához az egyes csomagok között. Előlről is elég helyet kell hagyni, hogy az ajtót rendesen be lehessen csukni.

Leolvasztás

• Hűtőtér

A leolvasztás automatikusan történik a termosztát gombjának segítségével.

A kiolvadt csapadék a lefolyótartályba csepeg és elpárolog.

• Fagyasztótér

A fagyasztótér leolvasztását manuálisan kell elvégezni.

- Fordítsa OFF helyzetbe a termosztátot és hagyja nyitva a készülék ajtaját.
- Vegye ki az összes élelmiszert, jégkocka-tartót és polcot, vagy helyezze a hűtőbe ezeket. Egy törülközővel törölje fel a kiolvadt csapadékot és törölje szárazra.
- Leolvasztás után állítsa a termosztátot az eredeti pozícióra.

MEGJEGYZÉS!

A fagyasztótér védelmének érdekében ne használjon éles tárgyakat a jegesedés eltávolításához vagy a fagyos ételek különválasztásához.

Tisztítás

1. A készülék tisztítása

- Rendszeresen el kell távolítani a készülék mögött felhalmozódott port a berendezés hűtőhatékonyságának és energiatakarékosságának növelése végett.
- Rendszeresen ellenőrizni kell az ajtó-tömítést szennyeződések szempontjából. Tisztítsa meg a tömítést szappanos vagy mosogatószeres vízbe mártott puha ronggyal.
- A készülék belsejét rendszeresen ki kell tisztítani szagképződés megelőzése végett.
- A készülék belsejének tisztítása előtt kapcsolja ki a tápellátást, vegye ki az élelmiszert, italokat, polcokat, rekeszeket stb.
- Használjon egy puha rongyot vagy szivacsot két evőkanál szódával és vízzel a készülék belsejének tisztításához. Nyissa ki a készülék ajtaját, és hagyja kiszáradni tisztítás után.
- A nehezen tisztítható részek (szűk rések, sarkak), tisztítását leegyszerűsíti egy puha rongy vagy vattapálcikák használata, így ezeken a helyeken sem tudnak elszaporodni a baktériumok.
- Ne használjon szappant, tisztítószert, port, spray formájú tisztítószert stb. a kellemetlen szagok és az élelmiszer vegyszerrel történő szennyezésének elkerülése végett.
- A palacktartót, polcokat és rekeszeket törölje át egy szappanos vagy tisztítószeres vízbe mártott puha ronggyal. Törölje szárazra egy puha ronggyal, vagy hagyja szabadon megszáradni. A külső felületet törölje át egy szappanos vagy tisztítószeres vízbe mártott puha ronggyal, majd törölje szárazra.
- Ne használjon durva keféket, drótkéféket, csiszológereket (pl. fogkrémet), szerves higítókat (alkoholt, acetont, banánolajat stb.), forrásban levő vizet, savas vagy lúgos eszközöket, amelyek megrongálhatják a készülék belsejét vagy felületét. A forró víz és a szerves higítószer, mint a benzol a műanyag részek deformálását okozhatják.
- Tisztítás alatt ne öblögesse a készüléket közvetlenül vízzel vagy más folyadékkal, mivel ez zárlatot okozhat. Ne merítse vízbe a készüléket.

2. Tanácsok a tisztításhoz

A készülék külső felületén lecsapódhat a víz. Ennek oka a helyiség hőmérsékletének változása lehet. Törölje le az összes csapadékot. Ha a probléma hosszabb ideig fennáll, forduljon segítségért egy képzett technikushoz.

9. RÉSZ: KIKAPCSOLÁS HOSSZABB IDŐRE

Ha hosszabb ideig nem használja majd a készüléket, végezze el az alábbiakat:

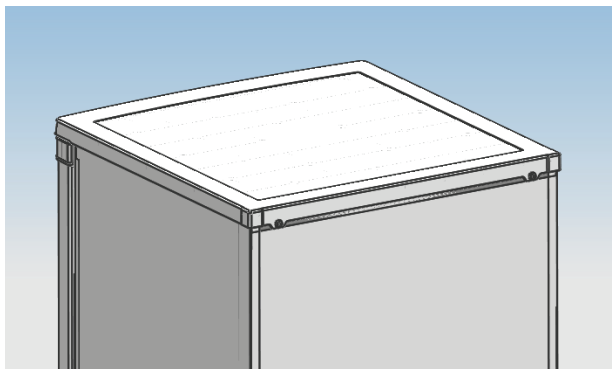
Válassza le a készüléket a fő áramforrásról a csatlakozódugó kihúzásával a dugaljából.

Tisztítsa meg és szárítsa ki a készülék belsejét az útmutató alapján.

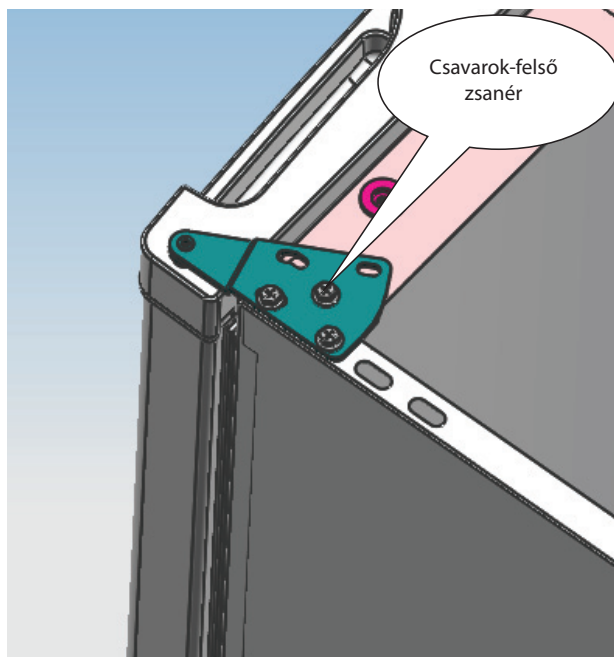
Hagyja nyitva a készülék ajtaját, amíg az használaton kívül lesz, így elkerülhető a kellemetlen szagok képződése.

10. RÉSZ: AZ AJTÓ MEGFORDÍTÁSA (OPCIONÁLIS)

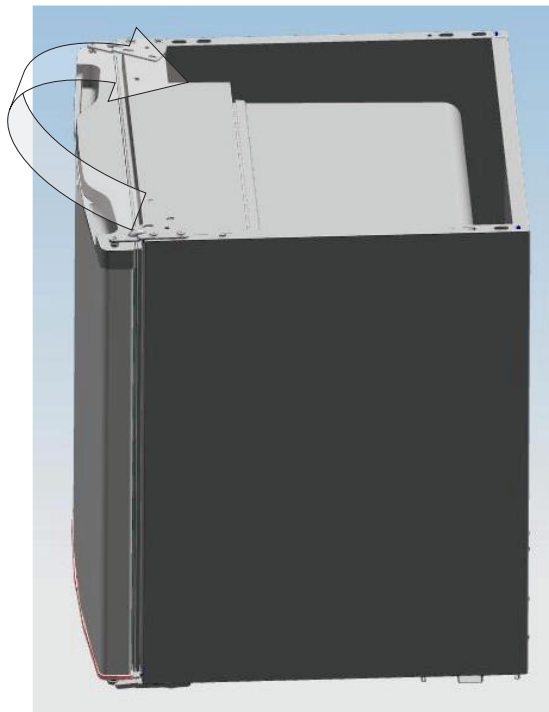
1 Egy keresztes csavarhúzóval lazítsa ki a hűtő burkolatát tartó csavarokat és szerelje le a burkolatot.



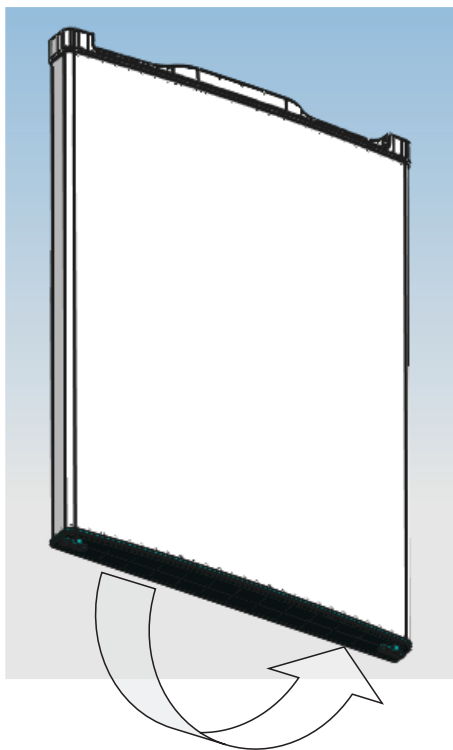
2 Egy keresztes csavarhúzóval lazítsa ki a felső zsanért tartó csavarokat.



- 3 Csúsztassa a másik oldalra a felső zsanért, az ajtó nyitásszög-szabályozóját és az ajtó csapágyát.
A Csúsztassa a felső zsanért a másik oldalra.



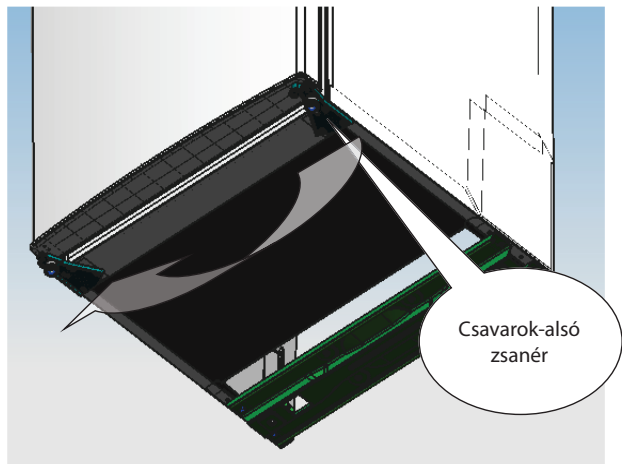
- B Csúsztassa a másik oldalra az ajtó csapágyát és az ajtó nyitásszög-szabályozóját.



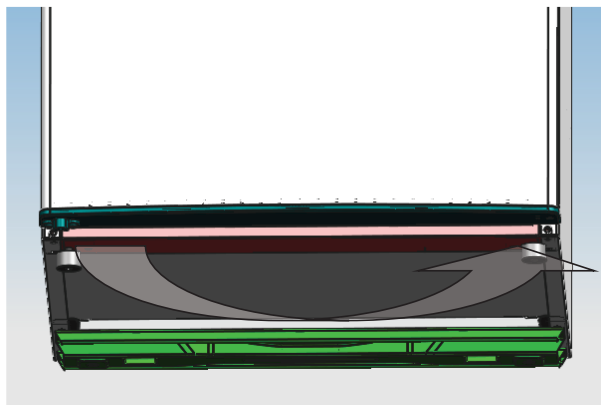
4 Lazítsa ki egy keresztcsavarhúzóval az alsó zsanér csavarjait, csúsztassa a zsanért a másik oldalra és rögzítse a csavarokkal.

MEGJEGYZÉS!

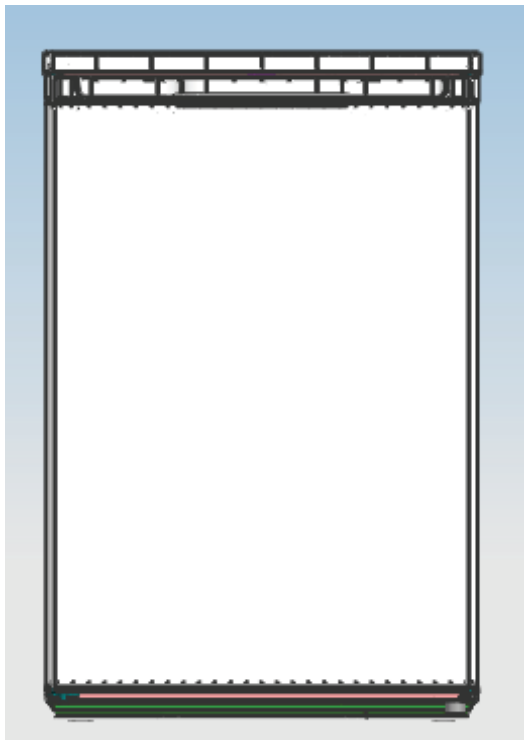
Ne billentse meg a készüléket 45°-nál nagyobb szögben.



5 Csúsztassa a másik oldalra a szintező eszközt és állítsa vízszintes helyzetbe a hűtőszekrényt.



6 Helyezze fel helyesen az ajtót, rögzítse a felső zsanért és a felső burkolatot.



Győződjön meg arról, hogy a készülék nincs az áramforráshoz csatlakoztatva és üresen áll. Állítsa mindkét szintező lábat a legmagasabb pozícióra. Javasoljuk, hogy ezt két személy végezze.

MEGJEGYZÉS!

Ahhoz, hogy le lehessen szerelni az ajtót, a készüléket hátra kell billenteni.
Támassza a készülék felső részét egy szilárd felülethez, pl. egy karosszékhez.

Ne fektesse le vízszintesen a hűtőszekrényt, mert ez megrongálhatná a hűtőrendszert.

Energiatakarékossági tippek

- A készüléket a helyiség leghidegebb részére kell helyezni, hőforrásoktól és napsugaraktól távol.
- Hűtse le szobahőmérsékletűre a meleg ételeket behelyezés előtt. Túlterhelés esetén a kompresszor kénytelen tovább működni. A nagyon lassú lefolyású fagyasztás néhány típusú élelmisznél minőségi elváltozáshoz vagy az élelmiszer romlásához vezethet.
- Ellenőrizze, hogy az étel jól be van csomagolva. Törölje le a külső felületet behelyezés előtt. Így csökkenteni lehet a jegesedés képződését a készülékben.
- A belső felületet nem ajánlatos alufóliával, viaszpapírral vagy papír törőlkendővel kibélelni. Ezek az anyagok akadályozzák a hideg levegő körforgását, és így a készülék hatékonysága alacsonyabb lesz.
- Rendezze és jelölje meg az élelmiszert, hogy könnyebben megtalálja majd, így nem kell hosszú ideig nyitva tartani a készülék ajtaját. Vegyen ki minél több tételt egyszerre és gyorsan csukja be az ajtót.

Mindennapos használat

Az élelmiszer szennyeződésének elkerülése érdekében kérjük, hogy ügyeljen az alábbi szabályokra:

- Hosszabb ideig nyitott ajtó esetén jelentősen megnövekszik a belső tér hőmérséklete.
- Rendszeresen kell tisztítani az élelmiszerral érintkező felületeket és a vízlevezető rendszer elérhető részeit.
- Tisztítsa meg a víztároló tartályt, ha több, mint 48 órán át nem használta; cserélje ki a vizet, ha néhány napig nem használta azt.
- A nyers húst és halat megfelelő edényekben kell tárolni, hogy ne érintkezzenek más élelmiszerekkel, vagy ne csepegjen rájuk víz.
- A fagyasztott élelmiszer tárolására alkalmas kétcsillagos rekeszek előfagyasztott étel, fagyalt vagy jégkocka készítéséhez és tárolásához is alkalmasak.
- Az egy, két és háromcsillagos rekeszek nem alkalmasak friss élelmiszer fagyasztásához.
- Ha hosszabb ideig üresen lesz a készülék, kapcsolja ki, olvassza le, tisztítsa ki, törölje szárazra és hagyja nyitva az ajtaját a penészképződés megelőzése miatt.

A különböző élelmiszerek tárolási táblázata az egyes rekeszekben

A hűtőtér része	Élelmiszer fajta
A hűtő ajtaja vagy ajtópolcok	<ul style="list-style-type: none">• Természetes konzerválószeret tartalmazó ételek, pl. lekvárok, gyümölcslevek, italok, fűszerek.• Ne tároljon itt romlandó élelmiszert.
Rekesz (Salátatároló rekesz)	<ul style="list-style-type: none">• A gyümölcsöt, fűszernövényeket és zöldséget ajánlatos elkülönítve tárolni a frissentartó rekeszben.• Ne tároljon banánt, vöröshagymát, burgonyát, fokhagymát a hűtőben.
Hűtőpolc - alsó Hűtő (doboz / rekesz)	<ul style="list-style-type: none">• Nyers hús, szárnyasok, halak (rövidebb tárolási idő).
Hűtőpolc - középső	<ul style="list-style-type: none">• Tejtermékek, tojás.
Hűtőpolc - felső	<ul style="list-style-type: none">• Olyan étel, ami főzés nélküli közvetlen fogyasztásra alkalmas, mint sonkafélék, maradék étel.

11. RÉSZ: HIBAELHÁRÍTÁS

Problémák fellépése esetén, vagy ha úgy gondolja, hogy a készülék nem működik megfelelően, végezze el az alábbi egyszerű ellenőrző lépéseket a szerviz kihívása előtt.



FIGYELEM!

Ne próbálja meg személyesen megjavítani a készüléket. Ha a problémát nem sikerült megoldani a lenti lépések szerint, forduljon egy villanszerelőhöz, szerviz-technikushoz vagy az eladóhoz.

Fontos! Szabályos használatnál is észlelhetők bizonyos zajok (kompresszor, hűtőközeg-keringés).

Probléma	Lehetséges ok	Megoldás
Nem működik a készülék.	A hőmérséklet-szabályozó „0” értékre van állítva.	Állítsa más számjegyre a szabályozót a készülék bekapcsolásához.
	Nincs bedugva vagy kilazult a csatlakozódugó.	Dugja be a csatlakozódugót.
	Kiégett vagy hibás biztosíték.	Ellenőrizze és szükség esetén cserélje ki a biztosítékot.
	Hibás az elektromos aljzat.	Az elektromos aljzatot csak egy villanszerelő javíthatja meg.
Túl meleg az élelmiszer.	Nincs jól beállítva a hőmérséklet.	Tanulmányozza át a kezdő hőmérséklettel foglalkozó részt.
	Hosszabb ideig nyitva volt az ajtó.	Ne hagyja a szükségesnél tovább nyitva az ajtót.
	24 órán belül nagy mennyiségű meleg élelmiszer került a hűtőszekrénybe.	Állítsa átmenetileg a hőmérséklet-szabályozót egy hidegebb beállításra.
	A készülék egy hőforrás közelében áll.	Tanulmányozza át a készülék beszerelési helyével foglalkozó részt.
Túl erősen hűt a készülék.	Túl alacsony a hőmérséklet.	Állítsa a hőmérséklet-szabályozót egy melegebb beállításra.
Szokatlan zajok.	Nem áll egyenesen a készülék.	Állítsa be a lábakat.
	A készülék fallal vagy más tárgyakkal érintkezik.	Húzza el a készüléket.
	Egy komponens, pl. egy cső a hátlapon a készülék más részével vagy a fallal érintkezik.	Szükség esetén hajlítsa el óvatosan ezt a komponenset.
Törött fény.	-	Javításhoz vagy cseréhez forduljon egy szervizközpontoz.

A probléma megismétlődése esetén értesítse a márkaszervizt.

Az alábbi adatok fontosak a gyors és megfelelő segítséghez. Másolja ide az adatokat a készülék terméklapjáról.

Tárolási utasítások

Kérjük, tartsa be az alábbi utasításokat az élelmiszer-szennyeződés elkerülése érdekében.

- A hosszantartó ajtónyitás következtében jelentősen emelkedhet a belső tér hőmérséklete.
- Rendszeresen meg kell tisztítani az élelmiszerrel és a vízvezető rendszerekkel érintkező felületeket.
- A nyers húst és halat megfelelő tartályokban kell tárolni a hűtőszekrényben, hogy ne érintkezzenek más élelmiszerrel, és ne szivároгjon belőlük a folyadék.
- A kétszillagos ** fagyasztórekeszek előfagyasztott élelmiszer, fagylalt és jégkocka készítésére vagy tárolására szolgálnak.
- Az egy *, kettő ** vagy három *** csillaggal jelölt rekeszek nem alkalmasak friss élelmiszer fagyasztásához.

Sz.	Tárolóter	Tároló célhőmérséklet [°C]	Élelmiszer típusa
1	Hűtőszekrény	+2 ~ +8	Tojás, főtt ételek, csomagolt ételek, gyümölcs és zöldség, tejtermékek, sütemények, italok és más, fagyasztásra nem alkalmas élelmiszer.
2	(***)*- Fagyasztó	≤ -18	Tenger gyümölcsei (halak, rákok, kagylók), friss termékek édesvízi halakból és hústermékek (javasolt tárolási idő 3 hónap, a tárolási idő meghosszabbításával arányosan romlik a termék íze és tápértéke), frissen fagyasztott élelmiszer.
3	***- Fagyasztó	≤ -18	Tenger gyümölcsei (halak, rákok, kagylók), friss termékek édesvízi halakból és hústermékek (javasolt tárolási idő 3 hónap, a tárolási idő meghosszabbításával arányosan romlik a termék íze és tápértéke), frissen fagyasztott élelmiszer.
4	** - Fagyasztó	≤ -12	Tenger gyümölcsei (halak, rákok, kagylók), friss termékek édesvízi halakból és hústermékek (javasolt tárolási idő 2 hónap, a tárolási idő meghosszabbításával arányosan romlik a termék íze és tápértéke), frissen fagyasztott élelmiszer.
5	*- Fagyasztó	≤ -6	Tenger gyümölcsei (halak, rákok, kagylók), friss termékek édesvízi halakból és hústermékek (javasolt tárolási idő 1 hónap, a tárolási idő meghosszabbításával arányosan romlik a termék íze és tápértéke), frissen fagyasztott élelmiszer.
6	0 - csillag	-6 ~ 0	Friss sertéshús, marhahús, halak, csirkehús, néhány csomagolt késztermék stb. (Javasolt fagyasztás ugyanazon a napon, lehetőleg ne tárolja 3 napnál hosszabb ideig). Részben csomagolt készételek (nem fagyasztható ételek).

7	Hűtés	-2 ~ +3	Friss/fagyasztott sertéshús, marhahús, csirkehús, friss termékek édesvízi halakból stb. (7 nap 0 °C alatt, 0 °C feletti hőmérsékletnél javasolt a még aznapi fogyasztás, lehetőleg ne tárolja 2 napnál hosszabb ideig). Tenger gyümölcsei (0 °C alatt 15 napig, a 0 °C feletti tárolás nem ajánlott).
8	Friss ételkészítés	0 ~ +4	Friss sertéshús, marhahús, hal, csirkehús, főtt ételek stb. (Javasolt fogyasztás ugyanazon a napon, lehetőleg ne tárolja 3 napnál hosszabb ideig).
9	Bor	+5 ~ +20	Vörösbor, fehér bor, pezsgő bor stb.

Megjegyzés: Tárolja a különböző élelmiszereket a megfelelő tárolóterekben, vagy a vásárolt termék ajánlott tároló hőmérséklete szerint.

- Ha hosszabb ideig üresen marad a készülék, kapcsolja ki, olvassa le, tisztítsa meg, szárítsa ki és hagyja nyitva az ajtaját a penészképződés megelőzéséhez.

Rész élelmiszerek elhelyezése a készülékben

- A burgonyát, a hagymát és a fokhagymát nem szabad hűtőszekrényben / fagyasztoában tárolni
- Normál körülmények között a hűtőszekrényben a hőmérséklet beállítása + 4 °C-ra elegendő
- A hűtőszekrény hőmérsékletének 0 °C és 8 °C között kell lennie. 0 °C alatt tárolt friss ételek megfagynak, elrothadnak. A baktériumok terhelése 8 °C felett tárolva növekszik, és az étel romlik
- Ne tegyen forró vagy meleg ételt a hűtőszekrénybe / fagyasztoába, várja meg, amíg szobahőmérsékletre hűl. A meleg ételek megemelik a hőmérsékletet a hűtőszekrényben / fagyasztoában, és szükségtelen romlást és esetleges ételmérgezést okozhatnak.
- A húst, halat stb. Erre a célra kijelölt hűtött rekeszben kell tárolni - ha van ilyen
- A gyümölcsöket és zöldségeket egy erre kijelölt hűtött rekeszben kell tárolni - ha vannak ilyenek
- A húskészítmények baktériumokkal való szennyeződésének elkerülése érdekében ne tároljon gyümölcsöt és zöldséget közös rekeszben. Ugyanez a helyzet fordított esetben is: a gyümölcsök és zöldségek szennyeződése húskészítményekből származó baktériumokkal.

12. RÉSZ: TERMÉKLAP

Terméklap

PHILCO 

A BIZOTTSÁG FELHATALMAZÁSON ALAPULÓ RENDELETE (EU) 2019/2016

A gyártó neve vagy védjegye: PHILCO

A gyártó székhelye: PHILCO, FAST ČR, a.s. U Sanitánu 1621 Říčany 251 01, Czech Republic

Modellszám: PTB 113 EW

Hűtőberendezés-típus: Egyajtós hűtőszekrény fagyasztóval

Alacsony zajszintű készülék:	Nem	Készülék típusa:	Szabadon álló
Bortároló készülék:	Nem	Más hűtőkészülékek:	Igen
Más hűtőkészülékek:			
Paraméter	Érték	Paraméter	Érték
Méretek mm	Magasság	845	Teljes térfogat (dm ³ vagy l)
	Szélesség	553	
	Mélység	574	
Energiahatékonysági index (EEL)	100	Energiahatékonysági osztály*	E
Zajkibocsátás akusztikus hang (dB(A) re 1 pW)	39	Akusztikus zajkibocsátás osztálya	C
Éves energiafogyasztás (kWh/év)	142	Klimatikus osztály:	N/ST
Minimális környező hőmérséklet (°C), melynél használható a hűtőberendezés	16	Maximális környező hőmérséklet (°C), melynél használható a hűtőberendezés	38
Készülék beállítása télre	Nem		

A tér paramétereit:

Tér típusa		A hűtőtér paramétereit és értékei			
		Készülék térfogata (dm ³ vagy l)	Javasolt hőmérséklet-beállítások optimalizált élelmiszertároláshoz (°C)	Fagyasztó-térfogat (kg/24h)	Leolvasztás típusa: (önleolvasztó = A, kézi leolvasztás = M)
Kamra/spájz	Nem	-	-	-	-
Bortárolás	Nem	-	-	-	-
Pincehelyiség	Nem	-	-	-	-
Friss élelmiszer	Igen	97	0≤+4	-	M
Fagyasztótér	Nem	-	-	-	-
0-csillag vagy jégkészítő	Nem	-	-	-	-

1-csillag	Nem	-	-	-	-
2-csillag	Nem	-	-	-	-
3-csillag	Nem	-	-	-	-
4-csillag	Igen	16	-18	2	M
2-csillagos tér	Nem	-	-	-	-
Fiók váltakozó hőmérséklettel	-	-	-	-	-
4-csillagos tér					
Gyorsfagyasztó funkció			Igen		
Fényforrás típusa			-		
Energiahatékonysági osztály			-		
A gyártó által biztosított minimális garancia: 24 hónap					
Kiegészítő információk:					
Weblink a gyártó weboldalára a 4. pontban ismertetett információkkal (és) a Komisszió (EU) 2019/2022 rendeletének mellékletével, forrás: www.philco.cz					

* A (legnagyobb hatékonyság) - G (legkisebb hatékonyság)

MŰSZAKI INFORMÁCIÓK

A műszaki információka készülék belsejében található típustáblán és az energiacímkén található. A mellékelt energiacímkén található QR-kód tartalmaz egy linket a készülék regisztrálására az EU Eprei adatbázisában. Őrizze meg az energiacímkét, a használati utasítást, valamint a készülékhez kapott egyéb dokumentumokat.

VIZSGÁLATI INFORMÁCIÓK

A leszállított készülék megfelel az EcoDesign és az EN62552-1:2020, EN 62552-2:2020, EN62552-3:2020, EN 60704-1:2020 + A11:2012, EN60704-2-14:2013+A11:2015+A1:2019 szabványoknak. A készülék helyes működéséhez, a faltól való minimális távolsághoz és a készülék méretéhez szükséges légi hozzáférési követelmények a kézikönyv részét képezik. További kérdéseivel forduljon a gyártóhoz.

ÜGYFÉLKÖRNYEZET ÉS SZOLGÁLTATÁS

Mindig eredeti pótalkatrészeket használjon.

A modellnév és a sorozatszám a típuslapon található. A típuslap helyzete előzetes figyelmeztetés nélkül megváltozhat.

Az eredeti pótalkatrészek néhány konkrét komponenshez legalább 7-10 évig rendelkezésre állnak.

Ez a komponens típusától és az adott modell utolsó készüléke forgalomba hozatalának idejétől függ. Amikor kapcsolatba lép a hivatalos szervizünkkel, rendelkezésére kell bocsátani a modell megnevezését, a sorozatszámot és a hibaleírást.

Dokumentumok letöltéséhez látogasson el a www.philco.hu oldalra.

Ha hibát szeretne jelenteni, és további szolgáltatási információkat szeretne kapni, látogasson el a www.philco.hu/tamogatas-szerviz.

Előzetes értesítés nélkül változtatható.

A CSOMAGOLÓANYAG SELEJTEZÉSÉRE VONATKOZÓ SZABÁLYOK ÉS TUDNIVALÓK

A csomagolóanyagokat nyilvános hulladék-értékesítő telepekre kell szállítani.

A HASZNÁLT ELEKTROMOS ÉS ELEKTRONIKUS KÉSZÜLÉKEK SELEJTEZÉSE



Ez az ikon azt jelenti, hogy a készülék az EU államaiban nem selejtezhető a háztartási hulladékkal együtt. A felelősségteljes hulladékselejtezés és a nyersanyagok újrahasznosítása megelőzi az esetleges negatív kihatásokat a környezetre és az emberi egészségre. Szállítsa el a helyi gyűjtőtelepre a selejtezésre szánt régi készüléket, vagy lépjen kapcsolatba a termék vízszinteladóval, aki egy új termék vásárlása esetén ugyancsak átveheti Öntől a készüléket, és gondoskodik majd a termék helyes és biztonságos selejtezéséről. Részletes információkkal a helyi hivatal vagy a hulladékgyűjtő telep is szolgálhat. A nem megfelelő selejtezés büntetést vonhat maga után az állami előírások és szabványok értelmében.

Jogi személyek az EU területén

Az elektromos vagy elektronikus készülék selejtezése előtt forduljon segítségért az eladóhoz vagy forgalmazóhoz.

Selejtezés nem EU államokban

Az elektromos vagy elektronikus készülék selejtezése előtt forduljon segítségért a helyi hivatalhoz vagy a termék forgalmazójához.



Ez a termék megfelel az EU valamennyi vonatkozó irányelvének.

A gyártó fenntartja a szöveg, dizájn és műszaki adatok előzetes figyelmeztetés nélküli változtatásának jogát.



VIGYÁZAT! HASZNÁLAT, ÁPOLÁS ÉS SELEJTEZÉS KÖZBEN SZENTELJEN FIGYELMET A BAL OLDALON FELTÜNTETETT, VAGY HASONLÓ JELZÉSNEK A KÉSZÜLÉK HÁTSÓ RÉSZÉN (HÁTLAG VAGY KOMPRESSZOR), SÁRGA VAGY NARANCSSÁRGA SZÍNBEN.



EZ A TŰZVESZÉLY SZIMBÓLUMA. A CSŐVEZETÉK ÉS A KOMPRESSZOR GYŰLÉKONY ANYAGOKAT TARTALMAZ. HASZNÁLAT, ÁPOLÁS ÉS SELEJTEZÉS KÖZBEN TARTSA TÁVOL A KÉSZÜLÉKET MINDEN TŰZFORRÁSTÓL!

Výrobce/Manufacturer:
Fast ČR, a.s.
U Sanítasu 1621
Říčany 251 01, CZECH REPUBLIC

Distributor:
FAST PLUS, a.s.,
Vlčie hrdlo 324/90
821 07 Bratislava, SLOVAKIA

Distributor:
FAST POLAND Sp. z o. o.
Kwietniowa 36
05-090 Wypędy, POLAND

Distributor:
FAST HUNGARY Kft.
H-2310 Szigetszentmiklós
Kántor utca 10, HUNGARY

PHILCO 

is a pending or registered trademark of Electrolux Home Products, Inc. and used under a license from Electrolux Home Products, Inc.