

FREEZER

OWNER'S MANUAL

PHILCO



Famous for Quality the World Over

PTF 60 EW

**Dear customer,
Thank you for buying a PHILCO brand product. So that your appliance serves you well, please read all the instructions in this user's manual.**

CONTENTS

PART 1: SAFETY INFORMATION	3
PART 2: PROPER USE OF REFRIGERATOR	12
PLACEMENT.....	12
LEVELLING FEET.....	13
DOOR RIGHT-LEFT CHANGE.....	14
START TO USE.....	16
ENERGY SAVING TIPS.....	17
TABLE CLIMATE CLASSES.....	17
SPECIAL FOR NEW EUROPEAN STANDARD.....	18
PART 3: STRUCTURE AND FUNCTIONS	19
KEY COMPONENTS.....	19
FREEZING CHAMBER.....	19
TEMPERATURE-CONTROL KNOB.....	20
PART 4: MAINTENANCE AND CARE OF REFRIGERATOR	21
CLEANING.....	21
DEFROST.....	22
STOP USING.....	22
PART 5: TROUBLESHOOTING	23
STORAGE INSTRUCTIONS.....	24
PLACEMENT OF FOOD IN THE APPLIANCE.....	25
PART 6: PRODUCT INFORMATION SHEET	26
TECHNICAL INFORMATION.....	28
TESTING INFORMATION.....	28
CUSTOMER CARE AND SERVICE.....	28
INSTRUCTIONS AND INFORMATION REGARDING THE DISPOSAL OF USED PACKAGING MATERIALS.....	29
DISPOSAL OF USED ELECTRICAL AND ELECTRONIC APPLIANCES.....	29



This appliance has been tested in accordance with the directives in force in the European Union.
This appliance conforms to the relevant safety provisions for electrical appliances in force in the European Union.

Dear customer:

Thank you for buying this refrigerator. To ensure that you get the best results from your new refrigerator, please take time to read through the simple instructions in this booklet.

Please ensure that the packing material is disposed of in accordance with the current environmental requirements.

When disposing of any refrigerator equipment please contact your local waste disposal department for advice on safe disposal.

This appliance must be only used for its intended purpose.

CAUTION:

The appliance is not intended for use by young children or infirm persons without supervision.

Young children should be supervised to ensure that they do not play with the appliance.

PART 1: SAFETY INFORMATION



FOR YOUR SAFETY AND CORRECT USAGE, BEFORE INSTALLING AND FIRST USING THE APPLIANCE, READ THIS USER MANUAL CAREFULLY, INCLUDING ITS HINTS AND WARNINGS. TO AVOID UNNECESSARY MISTAKES AND ACCIDENTS, IT IS IMPORTANT TO MAKE SURE THAT ALL PEOPLE USING THE APPLIANCE ARE THOROUGHLY FAMILIAR WITH ITS OPERATION AND SAFETY FEATURES. SAVE THESE INSTRUCTIONS AND BE SURE THAT THEY REMAIN WITH THE APPLIANCE IF IT IS MOVED OR SOLD, SO THAT ANYONE USING IT THROUGHOUT ITS LIFE, WILL BE PROPERLY INFORMED ON ITS USAGE AND SAFETY NOTICES. FOR THE SAFETY OF LIFE AND PROPERTY, KEEP THE PRECAUTIONS OF THESE USER'S INSTRUCTIONS AS THE MANUFACTURER IS NOT RESPONSIBLE FOR DAMAGES CAUSED BY OMISSION.

- THIS APPLIANCE CAN BE USED BY CHILDREN AGED FROM 8 YEARS AND ABOVE AND PERSONS WITH REDUCED PHYSICAL, SENSORY OR MENTAL CAPABILITIES OR LACK OF EXPERIENCE AND KNOWLEDGE IF THEY HAVE BEEN GIVEN SUPERVISION OR INSTRUCTION CONCERNING USE OF THE APPLIANCE IN A SAFE WAY AND UNDERSTAND THE HAZARDS INVOLVED.
- CHILDREN AGED FROM 3 TO 8 YEARS ARE ALLOWED TO LOAD AND UNLOAD REFRIGERATING APPLIANCES.
- CHILDREN SHALL NOT PLAY WITH THE APPLIANCE.
- CLEANING AND USER MAINTENANCE CANNOT BE PERFORMED BY CHILDREN WITHOUT SUPERVISION.

● IF THE SUPPLY CABLE GETS DAMAGED, HAVE IT REPLACED BY A SPECIALIZED SERVICE CENTER IN ORDER TO AVOID DANGEROUS SITUATIONS. IT IS PROHIBITED TO USE THE APPLIANCE WHEN THE SUPPLY CABLE IS DAMAGED.

● **CAUTION:** IF YOUR MODEL IS EQUIPPED WITH AN ICE MAKER WITHOUT WATER SUPPLY CONNECTION, FILL IT WITH DRINKING WATER ONLY.

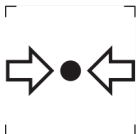
● **WARNING:** KEEP VENTILATION OPENINGS, IN THE APPLIANCE ENCLOSURE OR IN THE BUILT-IN STRUCTURE, CLEAR OF OBSTRUCTION.

● **WARNING:** DO NOT USE MECHANICAL DEVICES OR OTHER MEANS TO ACCELERATE THE DEFROSTING PROCESS, OTHER THAN THOSE RECOMMENDED BY THE MANUFACTURER.

● **WARNING:** DO NOT DAMAGE THE REFRIGERANT CIRCUIT.

● **WARNING:** DO NOT USE ELECTRICAL APPLIANCES INSIDE THE FOOD STORAGE COMPARTMENTS OF THE APPLIANCE, UNLESS THEY ARE OF THE TYPE RECOMMENDED BY THE MANUFACTURER.

● **WARNING:** DO NOT STORE EXPLOSIVE SUBSTANCES SUCH AS AEROSOL CANS WITH A FLAMMABLE PROPELLANT IN THIS APPLIANCE.



ISO 7000-1701 MARK (2004-01)
LABELS MEDIA UNDER PRESSURE.

THIS APPLIANCE IS INTENDED TO BE USED IN HOUSEHOLDS AND SIMILAR PREMISES, SUCH AS:

– KITCHENETTES IN SHOPS, OFFICES AND OTHER WORKPLACES; APPLIANCES USED BY GUESTS IN HOTELS, MOTELS, AND OTHER ACCOMMODATION FACILITIES; APPLIANCES USED IN BED-AND-BREAKFAST FACILITIES; APPLIANCES USED IN CATERING AND OTHER SIMILAR NON-VENDING ENVIRONMENTS.

ONLY SOME REFRIGERATOR MODELS ARE EQUIPPED WITH ICE MAKER. INTEGRATED ICE MAKERS MUST BE INSTALLED BY THE MANUFACTURER OR ITS SERVICING ORGANIZATION ONLY.

● THE FOLLOWING GOES FOR SELECTED MODELS EQUIPPED WITH AN ICE MAKER WITH WATER CONNECTION:

CAUTION: CAN ONLY BE CONNECTED TO DRINKING WATER SUPPLY.

● **CAUTION:** THE APPLIANCE MUST BE FASTENED IN ACCORDANCE WITH THE MANUAL TO PREVENT DANGER CAUSED BY ITS INSTABILITY.

● **CAUTION:** THE COOLING SYSTEM CONTAINS REFRIGERANT UNDER HIGH PRESSURE. DO NOT MANIPULATE WITH THE SYSTEM. THE SYSTEM MAY BE REPAIRED BY AUTHORIZED PERSONS ONLY.



WARNING :
RISK OF FIRE / FLAMMABLE MATERIALS

CONTAINS COOLING GAS ISOBUTANE

R600a

REFRIGERANT

THE REFRIGERANT ISOBUTENE (R600a) IS CONTAINED WITHIN THE REFRIGERANT CIRCUIT OF THE APPLIANCE, A NATURAL GAS WITH A HIGH LEVEL OF ENVIRONMENTAL COMPATIBILITY, WHICH IS NEVERTHELESS FLAMMABLE. DURING TRANSPORTATION AND INSTALLATION OF THE APPLIANCE, ENSURE THAT NONE OF THE COMPONENTS OF THE REFRIGERANT CIRCUIT BECOMES DAMAGED. THE REFRIGERANT (R600a) IS FLAMMABLE.

● **WARNING** — REFRIGERATORS CONTAIN REFRIGERANT AND GASES IN THE INSULATION. REFRIGERANT AND GASES MUST BE DISPOSED OF PROFESSIONALLY AS THEY MAY CAUSE EYE INJURIES OR IGNITION. ENSURE THAT TUBING OF THE REFRIGERANT CIRCUIT IS NOT DAMAGE PRIOR TO PROPER DISPOSAL.



THE SYMBOL  IS A WARNING AND INDICATES THE REFRIGERANT AND INSULATION BLOWING GAS ARE FLAMMABLE.

WARNING : RISK OF FIRE / FLAMMABLE MATERIALS

IF THE REFRIGERANT CIRCUIT SHOULD BE DAMAGED:

- AVOID OPENING FLAMES AND SOURCES OF IGNITION.
- THOROUGHLY VENTILATE THE ROOM IN WHICH THE APPLIANCE IS SITUATED.

IT IS DANGEROUS TO ALTER THE SPECIFICATIONS OR MODIFY THIS PRODUCT IN ANY WAY.

ANY DAMAGE TO THE CORD MAY CAUSE A SHORT CIRCUIT, FIRE, AND/OR ELECTRIC SHOCK.

● **CAUTION:** THE COOLING SYSTEM CONTAINS REFRIGERANT UNDER HIGH PRESSURE. DO NOT MANIPULATE WITH THE SYSTEM.

THE SYSTEM MAY BE REPAIRED BY AUTHORIZED PERSONS ONLY.

● **CAUTION:** WHEN PLACING THE APPLIANCE IT MUST BE ENSURED THAT THE SUPPLY CORD DOES NOT GET CAUGHT OR DAMAGED.

● **CAUTION:** DO NOT PLACE PORTABLE MULTIPLE SOCKET-OUTLETS OR PORTABLE EXTENSION CABLES TO THE REAR SIDE OF THE APPLIANCE.



ELECTRICAL SAFETY

1. THE POWER CORD MUST NOT BE LENGTHENED.
2. MAKE SURE THAT THE POWER PLUG IS NOT CRUSHED OR DAMAGED.
A CRUSHED OR DAMAGED POWER PLUG MAY OVERHEAT AND CAUSE A FIRE.
3. MAKE SURE THAT YOU CAN ACCESS THE MAIN PLUG OF THE APPLIANCE.
4. DO NOT PULL THE MAIN CABLE.

5. IF THE POWER PLUG SOCKET IS LOOSE, DO NOT INSERT THE POWER PLUG. THERE IS A RISK OF ELECTRIC SHOCK OR FIRE.
6. YOU MUST NOT OPERATE THE APPLIANCE WITHOUT THE INTERIOR LIGHTING LAMP COVER.
7. THE FRIDGE IS ONLY APPLIED WITH POWER SUPPLY OF SINGLE PHASE ALTERNATING CURRENT OF 220-240~ V/50HZ. IF FLUCTUATION OF VOLTAGE IN THE DISTRICT OF USER IS SO LARGE THAT THE VOLTAGE EXCEEDS THE ABOVE SCOPE, FOR SAFETY SAKE, BE SURE TO APPLY A.C. AUTOMATIC VOLTAGE REGULATOR OF MORE THAN 350W TO THE FRIDGE.

THE FRIDGE MUST EMPLOY A SPECIAL POWER SOCKET INSTEAD OF COMMON ONE WITH OTHER ELECTRIC APPLIANCES. ITS PLUG MUST MATCH THE SOCKET WITH GROUND WIRE.

DAILY USE

- DO NOT STORE FLAMMABLE GAS OR LIQUIDS IN THE APPLIANCE, THERE IS A RISK OF AN EXPLOSION.
- DO NOT OPERATE ANY ELECTRICAL APPLIANCES IN THE APPLIANCE (E.G. ELECTRIC ICE CREAM MAKERS, MIXERS ETC.).
- WHEN UNPLUGGING ALWAYS PULL THE PLUG FROM THE MAINS SOCKET, DO NOT PULL ON THE CABLE.
- DO NOT PLACE HOT ITEMS NEAR THE PLASTIC COMPONENTS OF THIS APPLIANCE.
- DO NOT PLACE FOOD PRODUCTS DIRECTLY AGAINST THE AIR OUTLET ON THE REAR WALL.
- STORE PRE-PACKED FROZEN FOOD IN ACCORDANCE WITH THE FROZEN FOOD MANUFACTURE'S INSTRUCTIONS.
- THE APPLIANCES MANUFACTURES STORAGE RECOMMENDATIONS SHOULD BE STRICTLY ADHERED TO. REFER TO RELEVANT INSTRUCTIONS FOR STORAGE.

- DO NOT PLACE CARBONATED OR FIZZY DRINKS IN THE FREEZER COMPARTMENT AS IT CREATES PRESSURE ON THE CONTAINER,WHICH MAY CAUSE IT TO EXPLODE,RESULTING IN DAMAGE TO THE APPLIANCE.
- FROZEN FOOD CAN CAUSE FROST BURNS IF CONSUMED STRAIGHT FROM THE FREEZER COMPARTMENT.
- DO NOT PLACE THE APPLIANCE IN DIRECT SUNLIGHT.
- KEEP BURNING CANDLES,LAMPS AND OTHER ITEMS WITH NAKED FLAMES AWAY FROM THE APPLIANCE SO THAT DO NOT SET THE APPLIANCE ON FIRE.
- THE APPLIANCE IS INTENDED FOR KEEPING FOOD STUFF AND/OR BEVERAGES IN NORMAL HOUSEHOLD AS EXPLAINED IN THIS INSTRUCTION BOOKLET. YOU SHOULD TAKE CARE WHEN MOVE IT AS THE APPLIANCE IS HEAVY.
- DO NOT REMOVE OR TOUCH ITEMS FROM THE FREEZER COMPARTMENT IF YOUR HANDS ARE DAMP/WET, AS THIS COULD CAUSE SKIN ABRASIONS OR FROST/FREEZER BURNS.
- NEVER USE THE BASE,DRAWERS,DOORS ETC. TO STAND ON OR AS SUPPORTS.
- FROZEN FOOD MUST NOT BE REFROZEN ONCE IT HAS BEEN THAWED OUT.
- DO NOT CONSUME ICE POPSICLES OR ICE CUBES STRAIGHT FROM THE FREEZER AS THIS CAN CAUSE FREEZER BURN TO THE MOUTH AND LIPS.
- TO AVOID ITEMS FALLING AND CAUSING INJURY OR DAMAGE TO THE APPLIANCE,DO NOT OVERLOAD THE DOOR RACKS OR PUT TOO MUCH FOOD IN THE CRISPER DRAWERS.

INSTALLATION IMPORTANT!

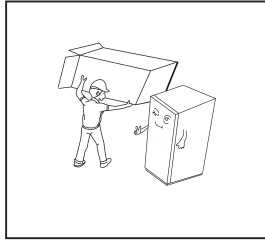
- FOR ELECTRICAL CONNECTION CAREFULLY, FOLLOW THE INSTRUCTIONS GIVEN IN THIS MANUAL. UNPACK THE APPLIANCE AND CHECK IF THERE ARE DAMAGES ON IT.
- DO NOT CONNECT THE APPLIANCE IF IT IS DAMAGED. REPORT POSSIBLE DAMAGES IMMEDIATELY TO THE PLACE YOU BOUGHT IT. IN THIS CASE RETAIN PACKING.
- IT IS ADVISABLE TO WAIT AT LEAST FOUR HOURS BEFORE CONNECTING THE APPLIANCE TO ALLOW THE OIL TO FLOW BACK IN THE COMPRESSOR.
- ADEQUATE AIR CIRCULATION SHOULD BE AROUND THE APPLIANCE, LACKING THIS LEADS TO OVERHEATING. TO ACHIEVE SUFFICIENT VENTILATION, FOLLOW THE INSTRUCTIONS RELEVANT TO INSTALLATION.
- WHEREVER POSSIBLE THE BACK OF THE PRODUCT SHOULD NOT BE TOO CLOSE TO A WALL TO AVOID TOUCHING OR CATCHING WARM PARTS (COMPRESSOR, CONDENSER) TO PREVENT THE RISK OF A FIRE, FOLLOW THE INSTRUCTIONS RELEVANT TO INSTALLATION.
- THE APPLIANCE MUST NOT BE LOCATE CLOSE TO RADIATORS OR COOKERS.
- MAKE SURE THAT THE MAINS PLUG IS ACCESSIBLE AFTER THE INSTALLATION OF THE APPLIANCE.
- PLACE ALL PACKAGING MATERIALS OUT OF THE REACH OF CHILDREN, THERE IS A RISK OF SUFFOCATION.

- THE INTERIOR OF YOUR REFRIGERATOR / FREEZER MAY SMELL BEFORE FIRST USE. THIS IS NORMAL. THE ODOR DISAPPEARS AS SOON AS THE APPLIANCE STARTS TO COOL / FREEZE.
- BEFORE CONNECTING THE REFRIGERATOR I FREEZER, MAKE SURE THAT THE MAINS VOLTAGE CORRESPONDS TO THE REQUIREMENTS FOR CONNECTING THE REFRIGERATOR / FREEZER. IF IN DOUBT, CONSULT A QUALIFIED ELECTRICIAN.
- THE APPLIANCE MUST BE CONNECTED TO A SOCKET WITH THE APPROPRIATE VOLTAGE AND A CORRECTLY INSTALLED FUSE SOCKET.
- THE REFRIGERATOR I FREEZER MUST NOT BE PLACED OUTDOORS OR EXPOSED TO RAIN.
- THE REFRIGERATOR I FREEZER MUST BE LOCATED AT LEAST 50CM FROM HEATERS, ELECTRIC OVENS, GAS OVENS, ETC.
- IF THE REFRIGERATOR WITH FREEZER IS LOCATED NEXT TO THE FREEZER, THERE MUST BE A MIN. 2CM SPACING.
- DO NOT PLACE HEAVY OBJECTS ON THE REFRIGERATOR / FREEZER, DO NOT COVER IT.
- ABOVE THE FRIDGE / FREEZER THERE MUST BE A MIN. 150MM FREE SPACE.
- INSTALL TWO PLASTIC GUIDES ON THE REFRIGERATOR / FREEZER CONDENSER THAT PREVENT THE WALL AND CONDENSER FROM TOUCHING.
- THIS APPLIANCE IS MADE FOR DOMESTIC USE AND IS ONLY SUITABLE FOR COOLING / FREEZING FOOD. NOT SUITABLE FOR COMMERCIAL USE AND / OR STORAGE OF SUBSTANCES OTHER THAN FOOD. THE MANUFACTURER IS NOT LIABLE FOR ANY LOSSES CAUSED BY IMPROPER USE OF THE APPLIANCE.

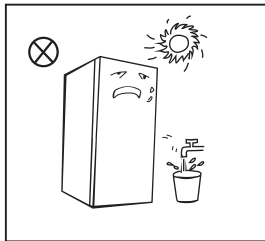
PART 2: PROPER USE OF REFRIGERATOR

Placement

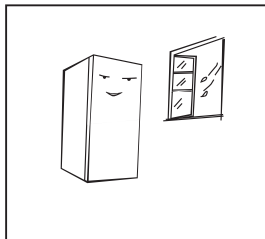
- Before use, remove all packing materials, including bottom cushions, foam pads and tapes inside of the refrigerator; tear off the protective film on the doors and the refrigerator body.



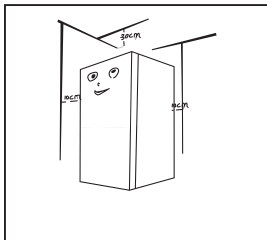
- Keep away from heat and avoid direct sunlight. Do not place the freezer in moist or watery places to prevent rust or reduction of insulating effect.
- Do not spray or wash the refrigerator; do not put the refrigerator in moist places easy to be splashed with water so as not to affect the electrical insulation properties of the refrigerator.



- The refrigerator is placed in a well-ventilated indoor place; the ground shall be flat, and sturdy (rotate left or right to adjust the wheel for leveling if unstable).



- The top space of the refrigerator shall be greater than 30cm, and the refrigerator should be placed against a wall with a free distance more than 10cm to facilitate heat dissipation.

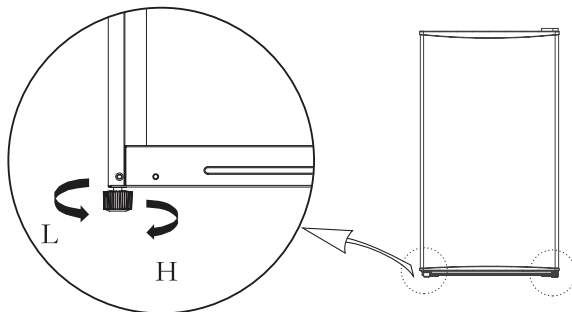


Precautions before installation:

Information in the Instruction Manual is only for reference. The physical product may differ. Before installation and adjusting of accessories, it shall be ensured that the refrigerator is disconnected from power. Precautions shall be taken to prevent fall of the handle from causing any personal injury.

Levelling feet

Schematic diagram of the levelling feet







(The picture above is only for reference. The actual configuration will depend on the physical product or statement by the distributor)

Adjusting procedures:

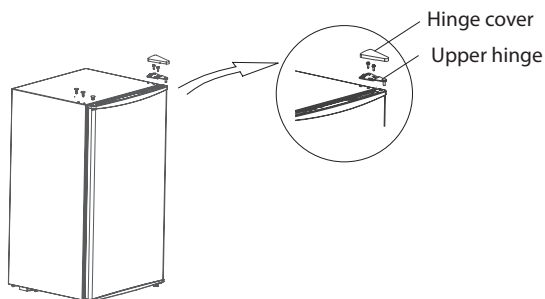
- Turn the feet clockwise to raise the refrigerator;
- Turn the feet counterclockwise to lower the refrigerator;
- Adjust the right and left feet based on the procedures above to a horizontal level.

Door Right-Left Change

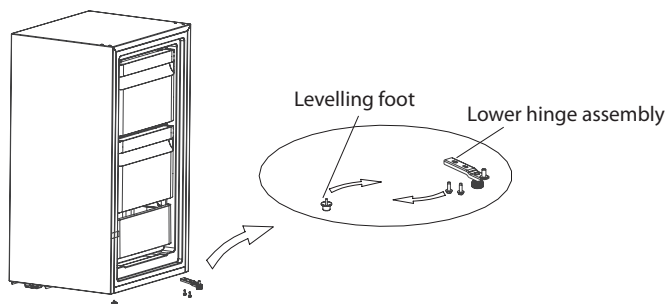
List of tools to be provided by the user			
	Cross screwdriver		Putty knife thin-blade screwdriver
	5/16" socket spanner		Masking tape

Parts to be used for door reverse			
Number	Name	Number	Note
1	Upper hinge	1	Pre-installed on the refrigerator, still used when door is reversed
2	Hinge cover	1	Pre-installed on the refrigerator, still used when door is reversed
3	Tapping locking screw	5	Pre-installed on the refrigerator, still used when door is reversed
4	Hole cap	1	Pre-installed on door end caps, still used when door is reversed
5	Pin	2	Pre-installed on the refrigerator, still used when door is reversed
6	Lower hinge assembly	1	Pre-installed on the refrigerator, still used when door is reversed
7	Levelling foot	1	Pre-installed on the refrigerator, still used when door is reversed
8	Tapping screw	1	Pre-installed on door end caps, still used when door is reversed

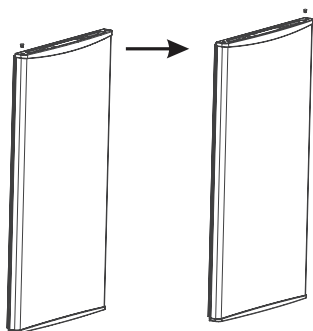
- 1) Power off the refrigerator, and remove all objects from the door trays.
- 2) Dismantle the hinge cover, screws and upper hinge, and remove the hole cap and pins from the other side.



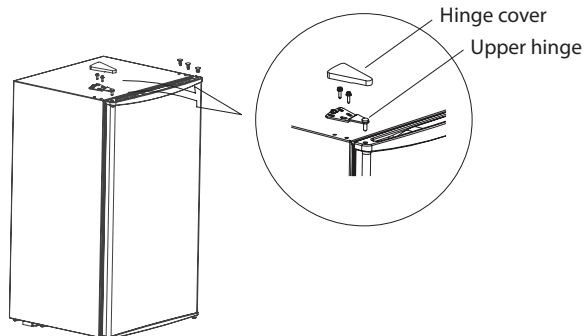
- 3) Remove the door first, then remove the lower hinge assembly and levelling foot, interchange the positions of the lower hinge assembly and levelling foot and install them.



- 4) Dismantle the hole cap under the door, then assemble the hole cap on the other side.



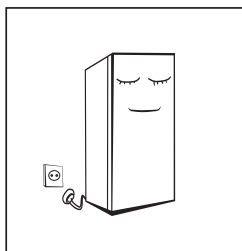
- 5) Install the door on the lower hinge assembly, and then install the upper hinge, hinge cover, pins and hole cap in sequence.



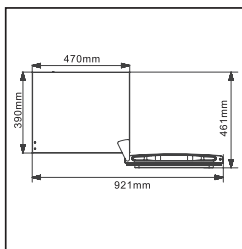
(The picture above is only for reference. The actual configuration will depend on the physical product or statement by the distributor)

Start to use

- Before initial start, keep the refrigerator still for half an hour before connecting it to power supply.
- Before putting any fresh or frozen foods, the refrigerator shall have run for 2-3 hours, or for above 4 hours in summer when the ambient temperature is high.



- Spare enough space for convenient opening of the doors and drawers or statement by the distributor.



Energy saving tips

- The appliance should be located in the coolest area of the room, away from heat producing appliances or heating ducts, and out of the direct sunlight.
- Let hot foods cool to room temperature before placing in the appliance. Overloading the appliance forces the compressor to run longer. Foods that freeze too slowly may lose quality, or spoil.
- Be sure to wrap foods properly, and wipe containers dry before placing them in the appliance. This cuts down on frost build-up inside the appliance.
- Appliance storage bin should not be lined with aluminum foil, wax paper, or paper toweling. Liners interfere with cold air circulation, making the appliance less efficient.
- Organize and label food to reduce door openings and extended searches. Remove as many items as needed at one time, and close the door as soon as possible.

Table Climate classes

Class	Symbol	Ambient temperature range °C
Extended temperate	SN	+ 10 to + 32
Temperate	N	+ 16 to + 32
Subtropical	ST	+ 16 to + 38
Tropical	T	+ 16 to+ 43

Extended temperate:

this refrigerating appliance is intended to be used at ambient temperatures ranging from 10°C to 32°C;

Temperate:

this refrigerating appliance is intended to be used at ambient temperatures ranging from 16°C to 32°C;

Subtropical:

this refrigerating appliance is intended to be used at ambient temperatures ranging from 16°C to 38°C;

Tropical:

this refrigerating appliance is intended to be used at ambient temperatures ranging from 16°C to 43°C;

If the wine cooler operates outside the climate class (ambient temperature range) for which it is rated then it may not be able to maintain satisfactory eternal temperatures.

Special for new European standard

- The ordered parts in the following table can be acquired from channel:

Ordered Part	Provided by	Minimum Time Required for Provision
thermostats	Professional maintenance personnel.	At least 7 years after the last model is launched on the market.
temperature sensors	Professional maintenance personnel.	At least 7 years after the last model is launched on the market.
printed circuit boards	Professional maintenance personnel.	At least 7 years after the last model is launched on the market.
door handles	Professional repairers and final users.	At least 7 years after the last model is launched on the market.
door hinges	Professional repairers and final users.	At least 7 years after the last model is launched on the market.
trays	Professional repairers and final users.	At least 7 years after the last model is launched on the market.
baskets	Professional repairers and final users.	At least 7 years after the last model is launched on the market.
door gaskets	Professional repairers and final users.	At least 10 years after the last model is launched on the market.

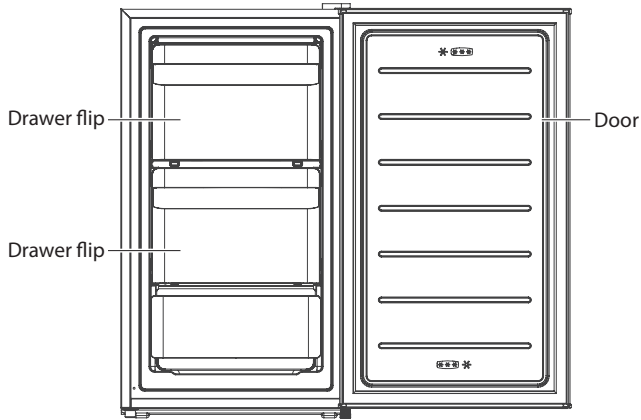
- The shortest period for providing after-sales spare parts is 15 working days.
- The model information and model identification in the product database can be obtained by scanning the web link on the QR code (if any) on the product energy efficiency label.

Dear customer

1. If you want to return or replace the product, please contact the store where you buy.
(Remember to bring the purchase invoice)
2. If your product breaks down which needs to repair, please contact after-sales service provider.
Telephone:
Email address:

PART 3: STRUCTURE AND FUNCTIONS

Key components

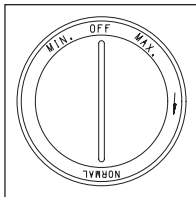


(The picture above is only for reference. The actual configuration will depend on the physical product or statement by the distributor)

Freezing chamber

- The low temperature freezing chamber may keep food fresh for a long time and it is mainly used to store frozen foods and making ice.
Putting food in the bottom drawer is the most energy efficient.
- The freezing chamber is suitable for storage of meat, fish, rice balls and other foods not to be consumed in short term.
- Large pieces of meat should be divided into small pieces as much as possible and then put in, which is convenient for quick freezing and taking.
Note: Storage of too much food during operation after the initial connection to power may adversely affect the freezing effect of the refrigerator. Foods stored shall not block the air outlet; or otherwise the freezing effect will also be adversely affected.

Temperature-control knob



- The markings on control knob indicate the "MIN, NORMAL, MAX and OFF" for the different temperature level.
"MIN." is the warmest setting;
"MAX." is the coldest setting;
For normal use, please set the control knob to "NORMAL" position.
Recommended gear: "NORMAL"

PART 4: MAINTENANCE AND CARE OF REFRIGERATOR

Cleaning

- Dusts behind the refrigerator and on the ground shall be timely cleaned to improve the cooling effect and energy saving.
- Check the door gasket regularly to make sure there are no debris. Clean the door gasket with a soft cloth dampened with soapy water or diluted detergent.
- The interior of the refrigerator should be cleaned regularly to avoid odor.
- Please turn off the power before cleaning interior, remove all foods, drinks .shelves, drawers, etc.
- Use a soft cloth or sponge to clean the inside of the refrigerator, with two tablespoons of baking soda and a quart of warm water. Then rinse with water and wipe clean. After cleaning, open the door and let it dry naturally before turning on the power.
- For areas that are difficult to clean in the refrigerator (such as narrow sandwiches, gaps or corners), it is recommended to wipe them regularly with a soft rag, softbrush, etc. and when necessary,combined with some auxiliary tools (such as thin sticks) to ensure no contaminants or bacterials accumulation in these areas.
- Do not use soap, detergent, scrub powder, spray cleaner, etc., as these may cause odors in the interior of the refrigerator or contaminated food.
- Clean the bottle frame, shelves and drawers with a soft cloth dampened with soapy water or diluted detergent. Dry with a soft cloth or dry naturally.
- Wipe the outer surface of the refrigerator with a soft cloth dampened with soapy water, detergent, etc., and then wipe dry.
- Do not use hard brushes, clean steel balls, wire brushes, abrasives(such as toothpastes), organic solvents (such as alcohol, acetone, banana oil, etc.), boiling water, acid or alkaline items, which may damage the cooler surface and interior. Boiling water and organic solvents such as benzene may deform or damage plastic parts.
- Do not rinse directly with water or other liquids during cleaning to avoid short circuits or affect electrical insulation after immersion.



Please unplug the refrigerator for defrost and cleaning.

Defrost

- Power off the refrigerator.
- Remove the food from the refrigerator and place it properly to prevent food from melting.
- Clear the drain pipe (to use soft materials to prevent damage to the liner). Prepare the water containers for defrosting.
(Pay attention to clean the compressor compartment water draining tray. Avoiding overflow to the ground).
- You can use the natural temperature for the natural defrost, you can also use the ice shovel to eliminate the frost (to use plastic or wooden ice shovel, for avoiding damage to the liner or pipe)
- You can also use the appropriate amount of hot water to speed up the defrost, with a dry towel to dry the water after defrosting.
- After defrosting, put back the foods in cabinet, and power on the refrigerator.

Stop using

- Power failure: In case of power failure, even if it is in summer, foods inside the appliance can be kept for several hours; during the power failure, the times of door opening shall be reduced, and no more fresh food shall be put into the appliance.
- Long-time nonuse: The appliance shall be unplugged and then cleaned; then the doors are left open to prevent odor.
- Moving: Before the refrigerator is moved, take all objects inside out, fix the glass partitions, vegetable holder, freezing chamber drawers and etc. with tape, and tighten the leveling feet; close the doors and seal them with tape. During moving, the appliance shall not be laid upside down or horizontally, or be vibrated; the inclination during movement shall be no more than 45°. Do not hold the door and hinge when moving this unit.

The appliance shall run continuously once it is started. Generally, the operation of the appliance shall not be interrupted; or otherwise the service life may be impaired.

PART 5: TROUBLESHOOTING

You may try to solve the following simple problems by yourself.
If them cannot be solved, please contact the after-sales department.

Problem	Possible Cause & Solution
Not work.	Check whether the appliance is connected to power or whether the plug is in well contact. Check whether the voltage is too low. Check whether there is a power failure or partial circuits have tripped.
Odor.	Odorous foods shall be tightly wrapped. Check whether there is any rotten food. Clean the inside of the refrigerator.
Long-time operation of the compressor.	Long operation of the refrigerator is normal in summer when the ambient temperature is high. It is not suggestible having too much food in the appliance at the same time. Food shall get cool before being put into the appliance. The doors are opened too frequently.
Doors cannot be properly closed.	The door is stuck by food package. Too much food is placed. The refrigerator is tilted.
Loud noise.	Check whether the floor is level and whether the refrigerator is placed stably. Check whether accessories are placed at proper locations.
Gasket gap.	Remove foreign matters on the door seal. Heat the door seal and then cool it for restoration (or blow it with an electrical drier or use a hot towel for heating).
Water pan overflows.	There is too much food in the chamber or food stored contains too much water,resulting in heavy defrosting. The doors are not closed properly, resulting in frosting due to entry of air and increased water due to defrosting.
Over heat on sidewall.	Heat dissipation of the built-in condenser via the housing, which is normal. When housing becomes hot due to high ambient temperature, storage of too much food or shutdown of the compressor is shut down, provide sound ventilation to facilitate heat dissipation.
Surface condensation.	Condensation on the exterior surface and door seals of the refrigerator is normal when the ambient humidity is too high. Just wipe the condensate with a clean towel.
Abnormal noise.	Buzz: The compressor may produce buzzes during operation, and the buzzes are loud particularly upon start or stop. This is normal. Creak: Refrigerant flowing inside of the appliance may produce creak, which is normal.

Storage instructions

To avoid contamination of food, please respect the following instructions

- Opening the door for long periods can cause a significant increase of the temperature in the compartments of the appliance.
- Clean regularly surfaces that can come in contact with food and accessible drainage systems.
- Store raw meat and fish in suitable containers in the refrigerator, so that it is not in contact with or drip onto other food.
- Two-star frozen-food compartments are suitable for storing pre-frozen food, storing or making icecream and making ice cubes.
- One-, two- and three-star compartments are not suitable for the freezing of fresh food.

Order	Compartments TYPE	Target storage temp.[°C]	Appropriate food
1	Fridge	+2~+8	Eggs, cooked food, packaged food, fruits and vegetables, dairy products, cakes, drinks and other foods which are not suitable for freezing.
2	(***)*-Freezer	≤-18	Seafood (fish,shrimp,shellfish),freshwater aquatic products and meat products (recommended for 3 months , he longer the storage time,the worse the taste and nutrition),suitable for frozen fresh food.
3	***-Freezer	≤-18	Seafood (fish, shrimp, shellfish),freshwater aquatic products and meat products (recommended for 3 months, the longer the storage time,the worse the taste and nutrition), are not suitable for frozen fresh food
4	**-Freezer	≤-12	Seafood (fish, shrimp, shellfish), freshwater aquatic products and meat products (recommended for 2 months,the longer the storage time,the worse the taste and nutrition), are not suitable for frozen fresh food.
5	*-Freezer	≤-6	Seafood (fish, shrimp, shellfish), freshwater aquatic products and meat products (recommended for 1 month,the longer the storage time,the worse the taste and nutrition), are not suitable for frozen fresh food.
6	0-star	-6~0	Fresh pork, beef, fish, chicken, some packaged processed foods, etc. (Recommended to eat within the same day, preferably no later than 3 days). Partially encapsulated processed foods (non-freezable foods.)

7	Chill	-2~+3	Fresh/frozen pork, beef, chicken, freshwater aquatic products, etc. (7 days below 0 °C and above 0 °C is recommended for consumption within that day, preferably no more than 2 days). Seafood (less than 0 for 15 days, it is not recommended to store above 0 °C).
8	Fresh Food	0~+4	Fresh pork,beef,fish,chicken,cooked food,etc. (Recommended to eat within the same day,preferably no more than 3 days.)
9	Wine	+5~+20	Red wine,white wine,sparkling wine etc.

Note: Please store different foods according to the compartments or target storage temperature of your purchased products.

- If the refrigerating appliance is left empty for long periods,switch off,defrost, clean,dry, and leave the door open to prevent mould developing within the appliance.

Placement of food in the appliance

- Potatoes, onions and garlic should not be stored in the refrigerator / freezer.
- Under normal circumstances, the temperature setting in the refrigerator is sufficient to + 4 °C.
- The temperature of the refrigerator should be between 0 °C and 80 C. Fresh foods stored below 0 °C freeze, rot. The bacterial load increases when stored above 8 °C and food spoils.
- Do not put warm or hot food in the fridge / freezer, wait for it to cool to room temperature. Hot food raise the temperature inside the refrigerator / freezer and can cause unnecessary spoilage and possible food poisoning.
- Meat, fish, etc. should be stored in a designated refrigerated compartment - if available.
- Fruits and vegetables should be stored in a designated refrigerated compartment - if available.
- To prevent contamination of meat products with bacteria, do not store fruits and vegetables in a common compartment. The same is true in reverse - contamination of fruits and vegetables with bacteria from meat products.

PART 6: PRODUCT INFORMATION SHEET

Product Information Sheet

PHILCO 

COMMISSION DELEGATED REGULATION (EU) 2019/2016

Supplier's name or trademark: PHILCO

Supplier's address: FAST ČR, a.s., U Sanitasu 1621, Říčany 251 01, Czech Republic

Model identifier: PTF 60 EW

Type of refrigerating appliance: Freezer

Low-noise appliance:	No	Design type:	freestanding
----------------------	----	--------------	--------------

Wine storage appliance:	No	Other refrigerating appliance:	Yes
-------------------------	----	--------------------------------	-----

General product parameters:

Parameter		Value	Parameter	Value
Overall dimensions (millimetre)	Height	845	Total volume (dm ³ or l)	60
	Width	475		
	Depth	445		
Energy efficiency Index (EEL)		100	Energy efficiency class*	E
Airborne acoustical noise emissions (dB(A) re 1 pW)		41	Airborne acoustical noise emission class	C
Annual energy consumption (kWh/a)		156	Climate class:	temperate, subtropical
Minimum ambient temperature (°C), for which the refrigerating appliance is suitable		16	Maximum ambient temperature (°C), for which the refrigerating appliance is suitable	38
Winter setting		No		

Compartment Parameters:

Compartment type	Compartment parameters and values			
	Compartment volume (dm ³ or l)	Recommended temperature setting for optimised food storage (°C) These settings shall not contradict the storage conditions set out in Annex IV, Table 3	Freezing capacity (kg/24h)	Defrosting type (auto-defrost=A, manual defrost=M)
Pantry	No	-	-	-

Wine storage	No	-	-	-	-
Cellar	No	-	-	-	-
Fresh food	No	-	-	-	-
Chill	No	-	-	-	-
0-star or ice-making	No	-	-	-	-
1-star	No	-	-	-	-
2-star	No	-	-	-	-
3-star	No	-	-	-	-
4-star	Yes	60.0	-18	6.0	M
2-star section	No	-	-	-	-
Variable temperature compartment	-	-	-	-	-
For 4-star compartments					
Fast freeze facility			No		
Light source parameters:					
Type of light source			-		
Energy efficiency class			-		
Minimum duration of the guarantee offered by the manufacturer: 24 months					
Additional information:					
Weblink to the manufacturer's website, where the information in point 4(a) Annex of Commission Regulation (EU) 2019/2019 is found: www.philco.cz					

* A (highest efficiency) to G (lowest efficiency)

TECHNICAL INFORMATION

Technical information can be found on the type plate on the inside of the appliance and on the energy label. The QR code, on the supplied energy label, contains a link to register the appliance in the EU Eprel database. Keep the energy label, the instructions for use, together with other documents supplied with the device.

TESTING INFORMATION

The delivered device is in accordance with EcoDesign and EN62552. Air access requirements for proper operation of the device, the minimum distance from the wall and the dimensions of the device are part of this manual. If you have any further questions, please contact the manufacturer.

CUSTOMER CARE AND SERVICE

Always use original spare parts.

Model name and serial number can be found on the rating plate. Position of rating plate can be changed without notice.

The original spare parts for some specific components are available for a minimum of 7 or 10 years, based on the type of component, from the placing on the market of the last unit of the model.

When contacting our authorized service, have the model designation, serial number and defect description available.

To download documents, visit www.philco.cz.

To report a defect and obtain additional service information, visit <https://philco.cz/podpora-a-servis>.

Subject to change without notice.

INSTRUCTIONS AND INFORMATION REGARDING THE DISPOSAL OF USED PACKAGING MATERIALS

Dispose of packaging material at a public waste disposal site.

DISPOSAL OF USED ELECTRICAL AND ELECTRONIC APPLIANCES



The meaning of the symbol on the product, its accessory or packaging indicates that this product shall not be treated as household waste. Please, dispose of this product at your applicable collection point for the recycling of electrical & electronic equipment waste. Alternatively in some states of the European Union or other European states you may return your products to your local retailer when buying an equivalent new product. The correct disposal of this product will help save valuable natural resources and help in preventing the potential negative impact on the environment and human health, which could be caused as a result of improper liquidation of waste. Please ask your local authorities or the nearest waste collection centre for further details. The improper disposal of this type of waste may fall subject to national regulations for fines.

For business entities in the European Union

If you wish to dispose of an electrical or electronic device, request the necessary information from your seller or supplier.

Disposal in other countries outside the European Union

If you wish to dispose of this product, request the necessary information about the correct disposal method from local government departments or from your seller.



This product meets all the basic EU regulation requirements that relate to it.

Changes to the text, design and technical specifications may occur without prior notice and we reserve the right to make these changes.

Original of this user manual is Czech.



WARNING! DURING USING, SERVICE AND DISPOSAL THE APPLIANCE, PLEASE PAY ATTENTION TO SYMBOL SIMILAR AS LEFT SIDE, WHICH IS LOCATED ON REAR OF APPLIANCE (REAR PANEL OR COMPRESSOR) AND WITH YELLOW OR ORANGE COLOR.



IT'S RISK OF RE WARNING SYMBOL. THERE ARE FLAMMABLE MATERIALS IN REFRIGERANT PIPES AND COMPRESSOR. PLEASE BE FAR AWAY RE SOURCE DURING USING, SERVICE AND DISPOSAL.

MRAZNIČKA

NÁVOD K OBSLUZE

PHILCO



Famous for Quality the World Over

PTF 60 EW

**Vážený zákazníku,
Děkujeme, že jste si koupil výrobek značky PHILCO. Aby mohl váš spotřebič sloužit dobře, přečtěte si všechny pokyny uvedené v tomto návodu k obsluze.**

OBSAH

ČÁST 1: BEZPEČNOSTNÍ POKYNY	3
ČÁST 2: SPRÁVNÉ POUŽITÍ SPOTŘEBIČE.....	12
UMÍSTĚNÍ.....	12
VYROVNÁVACÍ NOŽIČKY	13
ZMĚNA SMĚRU OTEVÍRÁNÍ DVÍŘEK	14
ZAHÁJENÍ POUŽÍVÁNÍ.....	16
TIPY NA ÚSPORU ENERGIE	17
TABULKA KLIMATICKÝCH TŘÍD.....	17
SPECIÁLNĚ PRO NOVÝ EVROPSKÝ STANDARD	18
ČÁST 3: POPIS SPOTŘEBIČE A JEHO FUNKCE	19
HLAVNÍ PRVKY SPOTŘEBIČE.....	19
MRAZICÍ PŘIHRÁDKA.....	19
OTOČNÝ OVLADAČ TEPLoty	20
ČÁST 4: ÚDRŽBA A PÉČE O SPOTŘEBIČ	21
ČIŠTĚNÍ	21
ODMRAZOVÁNÍ.....	22
PŘESTÁNÍ POUŽÍVÁNÍ SPOTŘEBIČE	22
ČÁST 5: ŘEŠENÍ PROBLÉMŮ	23
POKYNY KE SKLADOVÁNÍ	24
ROZMÍSTĚNÍ POTRAVIN VE SPOTŘEBIČI.....	25
ČÁST 6: INFORMAČNÍ LIST	26
TECHNICKÉ INFORMACE	28
INFORMACE O TESTOVÁNÍ	28
PÉČE O ZÁKAZNÍKA A SERVIS	28
POKYNY A INFORMACE TÝKAJÍCÍ SE LIKVIDACE POUŽITÝCH OBALOVÝCH MATERIÁLŮ	29
LIKVIDACE POUŽITÝCH ELEKTRICKÝCH A ELEKTRONICKÝCH SPOTŘEBIČŮ	29



Zařízení bylo testováno podle platných směrnic Evropské unie. Zařízení vyhovuje bezpečnostním ustanovením platným pro elektrické spotřebiče v Evropské unii.

Vážený zákazníku:

Děkujeme Vám za koupi této chladničky. Abyste při používání této chladničky dosáhli nejlepších výsledků, přečtěte si tento návod k obsluze.

Ujistěte se, že obalový materiál je zlikvidován v souladu s aktuálními environmentálními požadavky.

Při likvidaci jakéhokoliv chladicího zařízení kontaktujte místní úřad pro likvidaci odpadu, kde vám budou poskytnuty informace o bezpečné likvidaci.

Tento spotřebič je možné používat pouze k určenému účelu.

POZOR:

Spotřebič nesmějí používat malé děti nebo starší osoby bez dozoru. Na malé děti byste měli dohlížet, aby si spotřebičem nehrály.

ČÁST 1: BEZPEČNOSTNÍ POKYNY



Z DŮVODU VAŠÍ BEZPEČNOSTI A SPRÁVNÉHO POUŽITÍ, JEŠTĚ PŘED INSTALACÍ A PRVNÍM POUŽITÍM SPOTŘEBIČE, SI POZORNĚ PŘEČTĚTE TUTO PŘÍRUČKU, VČETNĚ TĚCHTO TIPŮ A VAROVÁNÍ. ABYSTE ZABRÁNILI NEŽÁDOUCÍM CHYBÁM A NEHODÁM, JE DŮLEŽITÉ ZAJISTIT, ABY SE VŠECHNY OSOBY POUŽÍVAJÍCÍ TENTO SPOTŘEBIČ DŮKLADNĚ SEZNÁMILY S JEHO OBSLUHOU A BEZPEČNOSTNÍMI FUNKCEMI.

USCHOVEJTE SI TYTO POKYNY A V PŘÍPADĚ PŘEDÁNÍ SPOTŘEBIČE SE UJISTĚTE, ZDA ZŮSTAL TENTO NÁVOD VE SPOTŘEBIČI TAK, ABY BYL POUŽÍVÁN V PRŮBĚHU CELÉ ŽIVOTNOSTI A SPRÁVNĚ INFORMOVAL O SPRÁVNÉM POUŽÍVÁNÍ SPOTŘEBIČE A BEZPEČNOSTI. Z BEZPEČNOSTNÍCH DŮVODŮ A PRO OCHRANU MAJETKU DODRŽUJTE POKYNY V TOMTO NÁVODU, PROTOŽE VÝROBCE NENESE ŽÁDNOU ZODPOVĚDNOST ZA POŠKOZENÍ ZPŮSOBENÁ NEDODRŽENÍM TĚCHTO POKYŇŮ.

- TENTO SPOTŘEBIČ MOHOU POUŽÍVAT DĚTI VE VĚKU 8 LET A STARŠÍ OSOBY SE SNÍŽENÝMI FYZICKÝMI, SMYSLOVÝMI NEBO MENTÁLNÍMI SCHOPNOSTMI NEBO S NEDOSTATKEM ZKUŠENOSTNÍ A ZNALOSTÍ, POKUD JSOU POD DOZOREM NEBO BYLY POUČENY O POUŽÍVÁNÍ SPOTŘEBIČE BEZPEČNÝM ZPŮSOBEM A ROZUMÍ PŘÍPADNÝM NEBEZPEČÍM.
- DĚTI VE VĚKU 3 AŽ 8 LET MOHOU VKLÁDAT A VYJÍMAT POTRAVINY Z CHLADÍCÍCH SPOTŘEBIČŮ.
- DĚTI SI SE SPOTŘEBIČEM NESMĚJÍ HRÁT.
- ČIŠTĚNÍ A ÚDRŽBU NESMĚJÍ PROVÁDĚT DĚTI BEZ DOZORU.

- POKUD JE PŘÍVODNÍ KABEL POŠKOZEN, JEHO VÝMĚNU SVĚŘTE ODBORNÉMU SERVISNÍMU STŘEDISKU, ABY SE ZABRÁNILO VZNIKU NEBEZPEČNÉ SITUACE . SPOTŘEBIČ S POŠKOZENÝM PŘÍVODNÍM KABLEM JE ZAKÁZANO POUŽÍVAT.

- **VÝSTRAHA:** POKUD VÁŠ MODEL MÁ VÝROBNÍK LEDU BEZ PŘIPOJENÍ PŘÍVODU VODY, PLŇTE POUZE PITNOU VODOU.

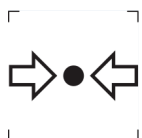
- **VÝSTRAHA:** POKUD VÁŠ MODEL MÁ VÝROBNÍK LEDU BEZ PŘIPOJENÍ PŘÍVODU VODY, PLŇTE POUZE PITNOU VODOU.

- **VÝSTRAHA:** K URYCHLENÍ ODMRAZOVACÍHO PROCESU NEPOUŽÍVEJTE MECHANICKÁ ZAŘÍZENÍ NEBO JINÉ PROSTŘEDKY NEŽ TY, KTERÉ JSOU DOPORUČENY VÝROBCEM.

- **VÝSTRAHA:** NEPOŠKOZUJTE CHLADICÍ OBVOD.

- **VÝSTRAHA:** NEPOUŽÍVEJTE ELEKTRICKÉ SPOTŘEBIČE V PROSTORU PRO UCHOVÁVÁNÍ POTRAVIN SPOTŘEBIČE, POKUD SE NEJEDNÁ O TYPY DOPORUČENÉ VÝROBCEM.

- **VÝSTRAHA:** V TOMTO SPOTŘEBIČI NESKLADUJTE VÝBUŠNÉ LÁTKY JAKO JSOU AEROSOLOVÉ PLECHOVKY, SPREJE S HOŘLAVOU HNACÍ LÁTKOU.



ZNAČKA ISO 7000-1701 (2004-01)
OZNAČUJE MÉDIUM POD TLAKEM.

TENTO SPOTŘEBIČ JE URČEN PRO POUŽITÍ V DOMÁCNOSTI A PODOBNÝCH PROSTORECH, JAKO JSOU:

- KUCHYŇSKÉ KOUTY V OBCHODECH, KANCELÁŘÍCH A OSTATNÍCH PRACOVÍŠTÍCH;
- SPOTŘEBIČE POUŽÍVANÉ HOSTY V HOTELÍCH, MOTELECH A JINÝCH OBYTNÝCH PROSTŘEDÍCH;
- SPOTŘEBIČE POUŽÍVANÉ V PODNICÍCH ZAJIŠŤUJÍCÍCH NOCLEH SE SNÍDANÍ;
- SPOTŘEBIČE POUŽÍVANÉ VE STRAVOVACÍCH A PODOBNÝCH NEPRODEJNÍCH PROSTŘEDÍCH.

POUZE NĚKTERÉ VYBRANÉ MODELY CHLADNIČEK OBSAHUJÍ VÝROBNÍK LEDU. ZABUDOVANÉ VÝROBNÍKY LEDU MUSÍ BÝT INSTALOVÁNY POUZE VÝROBCEM NEBO JEHO SERVISNÍ ORGANIZACÍ.

- PRO VYBRANÉ MODELY S VÝROBNÍKEM LEDU S PŘIPOJENÍM NA VODU PLATÍ: **VÝSTRAHA:** PŘIPOJUJE SE POUZE NA PŘÍVOD PITNÉ VODY.
- **VÝSTRAHA:** SPOTŘEBIČ MUSÍ BÝT PŘIPEVNĚN PODLE NÁVODU, ABY SE ZABRÁNILO NEBEZPEČÍ ZPŮSOBENÝM JEHO NESTABILITOU.
- **VÝSTRAHA:** CHLADICÍ SYSTÉM OBSAHUJE CHLADIVO POD VYSOKÝM TLAKEM. NEMANIPULUJTE SE SYSTÉMEM. MUSÍ BÝT OPRAVOVÁN POUZE KVALIFIKOVANOU OSOBOU.



VÝSTRAHA:
NEBEZPEČÍ OHNĚ / HOŘLAVÉ MATERIÁLY!

OBSAHUJE CHLADICÍ PLYN IZOBUTAN

R600a

CHLADIVO

CHLADICÍ IZOBUTAN (R600a), KTERÝ JE OBSAŽEN V CHLADICÍM OKRUHU SPOTŘEBIČE, JE PŘÍRODNÍ PLYN S VYSOKOU KOMPATIBILITOU SE ŽIVOTNÍM PROSTŘEDÍM, KTERÝ JE PŘECE JEN HOŘLAVÝ. BĚHEM PŘEPRAVY A INSTALACE SPOTŘEBIČE ZABRAŇTE POŠKOZENÍ KOMPONENT CHLADICÍHO OKRUHU. CHLADIVO (R600a) JE HOŘLAVÉ.

• **VAROVÁNÍ** — CHLADNIČKY V IZOLACI OBSAHUJÍ CHLADIVO A CHLADICÍ PLYNY. CHLADIVO A CHLADICÍ PLYNY MUSÍ BÝT LIKVIDOVÁNY ODBORNĚ, PROTOŽE MOHOU ZPŮSOBIT PORANĚNÍ OČÍ NEBO VZNÍCENÍ. PŘED PROVEDENÍM SPRÁVNÉ LIKVIDACE SE UJISTĚTE, ZDA NENÍ POTRUBÍ CHLADICÍHO OKRUHU POŠKOZENO.



SYMBOL  VAROVÁNÍ A ZNAMENÁ TO, ŽE CHLADIVO A CHLADICÍ PLYNY JSOU HOŘLAVÉ.

VAROVÁNÍ: RIZIKO POŽÁRU HOŘLAVÝCH MATERIÁLŮ

POKUD BY DOŠLO K POŠKOZENÍ CHLADICÍHO OKRUHU

- VYHNĚTE SE OTEVŘENÉMU OHNI A ZDROJŮM VZNÍCENÍ.

- DŮKLADNĚ VYVĚTREJTE MÍSTNOST, VE KTERÉ SE SPOTŘEBIČ NACHÁZÍ.

JE NEBEZPEČNÉ MĚNIT NEBO UPRAVOVAT SPOTŘEBIČ JAKÝMKOLIV ZPŮSOBEM.

JAKÉKOLIV POŠKOZENÍ NAPÁJECÍHO KABELU MŮŽE VÉST KE ZKRATU, POŽÁRU A/NEBO ZASAŽENÉM ELEKTRICKÝM PROUDEM.

● **VÝSTRAHA:** CHLADICÍ SYSTÉM OBSAHUJE CHLADIVO POD VYSOKÝM TLAKEM. NEMANIPULUJTE SE SYSTÉMEM. MUSÍ BÝT OPRAVOVÁN POUZE KVALIFIKOVANOU OSOBOU.

● **VÝSTRAHA:** PŘI UMÍSŤOVÁNÍ SPOTŘEBIČE SE MUSÍ ZAJISTIT, ABY NAPÁJECÍ PŘÍVOD NEBYL ZACHYCEN NEBO POŠKOZEN.

● **VÝSTRAHA:** NEUMÍSŤOVAT VÍCENÁSOBNÉ PŘENOSNÉ ZÁSUVKY NEBO PŘENOSNÉ PRODLUŽOVACÍ PŘÍVODY NA ZADNÍ STRANU SPOTŘEBIČE.



ELEKTRICKÁ BEZPEČNOST

1. NAPÁJECÍ KABEL NESMÍ BÝT PRODLUŽOVÁN.
2. UJISTĚTE SE, ZDA NENÍ ZÁSTRČKA NAPÁJECÍHO KABELU POŠKOZENÁ.
ROZDRCENÁ NEBO POŠKOZENÁ ZÁSTRČKA SE MŮŽE PŘEHŘÍVAT A ZPŮSOBIT POŽÁR.
3. UJISTĚTE SE, ZDA MÁTE VOLNÝ PŘÍSTUP K ZÁSTRČCE SPOTŘEBIČE.
4. NETAHEJTE ZA NAPÁJECÍ KABEL.

5. POKUD JE ELEKTRICKÁ ZÁSUVKA UVOLNĚNÁ, NEPŘIPOJUJTE K NÍ ZÁSTRČKU. HROZÍ RIZIKO ÚRAZU ELEKTRICKÝM PROUDEM NEBO VZNIKU POŽÁRU.
6. NESMÍTE POUŽÍVAT TENTO SPOTŘEBIČ BEZ KRYTU VNITŘNÍHO OSVĚTLENÍ.
7. CHLADNIČKA JE URČENA POUZE NA NAPÁJENÍ Z JEDNÉ FÁZE STŘÍDAVÉHO PROUDU S HODNOTAMI 220-240~ V/50 HZ. POKUD JE KOLÍSÁNÍ NAPĚTÍ V MÍSTĚ BYDLIŠTĚ UŽIVATELE TAK VELKÉ, ŽE PŘESAHUJE VÝŠE UVEDENÉ LIMITY, Z BEZPEČNOSTNÍCH DŮVODŮ POUŽIJTE PRO CHLADNIČKU AUTOMATICKÝ NAPĚŤOVÝ REGULÁTOR S VÍCE NEŽ 350 W.

CHLADNIČKA MUSÍ BÝT VYBAVENA SPECIÁLNÍ NAPÁJECÍ ZÁSTRČKOU NAMÍSTO BĚŽNĚ POUŽÍVANÉ S JINÝMI ELEKTRICKÝMI SPOTŘEBIČI. ZÁSTRČKA MUSÍ ZODPOVÍDAT ZÁSUVCE S UZEMŇOVACÍM KONTAKTEM.

BĚŽNÉ POUŽITÍ

- VE SPOTŘEBIČI NESKLADUJTE HOŘLAVÉ PLYNY ANI TEKUTINY. HROZÍ RIZIKO EXPLOZE.
- VE SPOTŘEBIČI NEPOUŽÍVEJTE JINÉ ELEKTRICKÉ SPOTŘEBIČE (NAPŘ. ELEKTRICKÝ VÝROBNÍK ZMRZLINY, MIXÉRY ATD.).
- PŘI ODPOJOVÁNÍ SPOTŘEBIČE Z ELEKTRICKÉ ZÁSUVKY, VŽDY TAHEJTE ZA ZÁSTRČKU. NETAHEJTE ZA KABEL.
- DO BLÍZKOSTI PLASTOVÝCH DÍLŮ TOHOTO SPOTŘEBIČE NEDÁVEJTE HORKÉ PŘEDMĚTY.
- NEDÁVEJTE ŽÁDNÉ PŘEDMĚTY DO BLÍZKOSTI VZDUCHOVÝCH OTVORŮ V ZADNÍ STĚNĚ.
- BALENÉ MRAZENÉ POTRAVINY SKLADUJTE V SOULADU S POKYNY VÝROBCE MRAZENÝCH POTRAVIN.

- MĚLI BYSTE STRIKTNĚ DODRŽOVAT DOPORUČENÍ TÝKAJÍCÍ SE SKLADOVÁNÍ VE SPOTŘEBIČI OD VÝROBCE. VIZ PŘÍSLUŠNÉ POKYNY O SKLADOVÁNÍ.
- DO MRAZICÍHO PROSTORU NEDÁVEJTE SYCENÉ NEBO ŠUMIVÉ NÁPOJE, PROTOŽE VYTVÁŘEJÍ TLAK NA NÁDOBU, KTERÁ MŮŽE EXPLODOVAT, COŽ MŮŽE VÉST K POŠKOZENÍ SPOTŘEBIČE.
- NEKONZUMUJTE MRAZENÉ POKRMY IHNED PO VYJMUTÍ Z MRAZNIČKY, MŮŽETE SE PORANIT.
- NEUMÍSTUJTE SPOTŘEBIČ NA PŘÍMÉ SLUNEČNÉ SVĚTLO.
- MĚJTE HORKÉ SVÍČKY, LAMPY A JINÉ PŘEDMĚTY S OTEVŘENÝM OHNĚM V DOSTATEČNÉ VZDÁLENOSTI OD SPOTŘEBIČE, ABYSTE ZABRÁNILI RIZIKU POŽÁRU.
- SPOTŘEBIČ JE URČEN NA USKLADNĚNÍ POKRMŮ A/ NEBO NÁPOJŮ V BĚŽNÉ DOMÁCNOSTI PODLE POPISU V NÁVODU. SPOTŘEBIČ JE TĚŽKÝ. ZVYŠTE POZORNOST PŘI JEHO PŘEMÍSTOVÁNÍ.
- NEVYJÍMEJTE ANI SE NEDOTÝKEJTE POLOŽEK V PROSTORU MRAZENÍ, POKUD MÁTE VLHKÉ/MOKRÉ RUCI, PROTOŽE TO MŮŽE VÉST K PORANĚNÍM POKOŽKY NEBO POPÁLENINÁM Z MRAZU.
- NIKDY NEPOUŽÍVEJTE DNO, ZÁSUVKY, DVÍŘKA APOD. NA STOUPÁNÍ NEBO JAKO PODPĚRU.
- MRAZENÉ POTRAVINY, NESMÍ BÝT PO ROZMRAZENÍ OPĚTOVNĚ ZMRAZENY.
- NEKONZUMUJTE LEDOVÉ NANUKY NEBO KOSTKY LEDU IHNED PO VYJMUTÍ Z MRAZNIČKY, PROTOŽE BYSTE SI TAK MOHLI PORANIT ÚSTA A RTY.
- ABYSTE ZABRÁNILI PÁDU PŘEDMĚTŮ A ZRANĚNÍ NEBO POŠKOZENÍ SPOTŘEBIČE, NEPŘETĚŽUJTE PŘIHRÁDKY DVÍŘEK ANI DO ZÁSUVK NE DÁVEJTE NADMĚRNÉ MNOŽSTVÍ POTRAVIN.

INSTALACE

DŮLEŽITÉ!

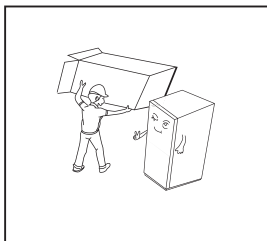
- PŘI PŘIPOJENÍ K ELEKTRICKÉ SÍTI BUĎTE OPATRNÍ, DODRŽUJTE POKYNY V TOMTO NÁVODU. SPOTŘEBIČ VYBALTE A ZKONTROLUJTE HO Z HLEDISKA VIDITELNÝCH POŠKOZENÍ.
- POKUD JE SPOTŘEBIČ POŠKOZENÝ, NEPŘIPOJUJTE HO. OZNAMTE PŘÍPADNÉ POŠKOZENÍ V MÍSTĚ ZAKOUPENÍ. V TOMTO PŘÍPADĚ SI NECHTE OBALOVÝ MATERIÁL.
- DOPORUČUJE SE POČKAT NĚKOLIK HODIN, PŘED PŘIPOJENÍM SPOTŘEBIČE, ABY SE OLEJ V KOMPRESORU USTÁLIL.
- OKOLO SPOTŘEBIČE ZAJISTĚTE DOSTATEČNÉ VĚTRÁNÍ, V OPAČNÉM PŘÍPADĚ MŮŽE DOCHÁZET K PŘEHŘÍVÁNÍ. PRO DOSAŽENÍ DOSTATEČNÉHO VĚTRÁNÍ DODRŽUJTE POKYNY K INSTALACI.
- POKUD JE TO MOŽNÉ, ZADNÍ STĚNA SPOTŘEBIČE BY NEMĚLA BÝT PŘÍLIŠ BLÍZKO STĚNY A NEMĚL BY SE DOTÝKAT HORKÝCH ČÁSTÍ (KOMPRESOR, KONDENZÁTOR), ABY SE ZABRÁNILO RIZIKU POŽÁRU, DODRŽUJTE PŘÍSLUŠNÉ POKYNY K INSTALACI.
- SPOTŘEBIČ NESMÍ BÝT UMÍSTĚN V BLÍZKOSTI RADIÁTORŮ NEBO SPORÁKŮ.
- PO INSTALACI SPOTŘEBIČE SE UJISTĚTE, ZDA JE SÍŤOVÁ ZÁSTRČKA SNADNO PŘÍSTUPNÁ.
- ODLOŽTE VŠECHNY OBALY MIMO DOSAH DĚTÍ, PROTOŽE HROZÍ RIZIKO UDUŠENÍ.

- VNITŘNÍ PROSTOR VAŠÍ CHLADNIČKY/MRAZNIČKY MŮŽE PŘED PRVNÍM POUŽITÍM ZAPÁCHAT. JE TO NORMÁLNÍ JEV. ZÁPACH ZMIZÍ, JAKMILE ZAČNE ZAŘÍZENÍ CHLADIT/MRAZIT.
- PŘED PŘIPOJENÍM CHLADNIČKY/MRAZNIČKY SE UJISTĚTE, ŽE NAPĚTÍ V ELEKTRICKÉ SÍTI ODPOVÍDÁ POŽADAVKŮM NA PŘIPOJENÍ CHLADNIČKY/MRAZNIČKY. V PŘÍPADĚ POCHYBNOSTÍ SE OBRÁŤTE NA KVALIFIKOVANÉHO ELEKTRIKÁŘE.
- SPOTŘEBIČ MUSÍ BÝT PŘIPOJEN DO ZÁSUVKY S ODPOVÍDAJÍCÍM NAPĚTÍM A SPRÁVNĚ NAINSTALOVANOU POJISTKOVOU ZÁSUVKOU.
- CHLADNIČKA/MRAZNIČKA NESMÍ BÝT UMÍSTĚNA VENKU NEBO VYSTAVENA DEŠTI.
- CHLADNIČKA/MRAZNIČKA MUSÍ BÝT UMÍSTĚNA NEJMÉNĚ 50 CM OD TOPNÝCH TĚLES, TOPENÍ TRUB, PLYNOVÝCH TRUB ATD.
- POKUD JE CHLADNIČKA S MRAZNIČKOU UMÍSTĚNA VEDLE MRAZÁKU, MUSÍ MEZI NIMI BÝT MIN. 2 CM ROZESTUP.
- NA CHLADNIČKU/MRAZNIČKU NEPOKLÁDEJTE TĚŽKÉ VĚCI, NEZAKRÝVEJTE JI.
- NAD CHLADNIČKOU/MRAZNIČKOU MUSÍ BÝT MIN. 150 MM VOLNÝ PROSTOR.
- NAINSTALUJTE DVĚ PLASTOVÁ VODÍTKA NA KONDENZÁTOR CHLADNIČKY/MRAZNIČKY, KTERÁ ZABRAŇUJÍ DOTYKU ZDI A KONDENZÁTORU.
- TENTO SPOTŘEBIČ JE VYROBEN K POUŽITÍ V DOMÁCNOSTECH A JE VHODNÝ POUZE PRO CHLAZENÍ /MRAZENÍ POTRAVIN. NENÍ VHODNÝ PRO KOMERČNÍ POUŽITÍ A / NEBO PRO SKLADOVÁNÍ LÁTEK S VÝJIMKOU POTRAVIN. VÝROBCE NENESE ZA ŽÁDNÉ ZTRÁTY, ZPŮSOBENÉ NEVHODNÝM POUŽITÍM SPOTŘEBIČE, ODPOVĚDNOST.

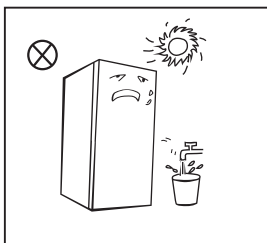
ČÁST 2: SPRÁVNÉ POUŽITÍ SPOTŘEBIČE

Umístění

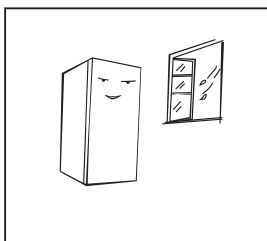
- Před použitím odstraňte všechny obalové materiály, včetně spodních polštářků, pěnových podložek a pásků uvnitř spotřebiče; odtrhněte ochrannou fólii na dvířkách a těle spotřebiče.



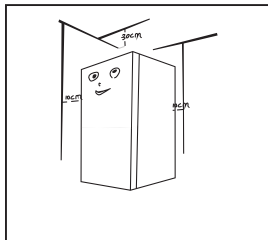
- Uchovávejte mimo dosah tepla a vyhýbejte se přímému slunečnímu záření. Neumísťujte mrazničku na vlhká nebo vodní místa, abyste předešli rezivění nebo snížení izolačního účinku.
- Na spotřebič nestříkejte vodu ani ji nemýjте; neumísťujte spotřebič na vlhká místa, která se dají snadno zalít vodou, aby se neovlivnily elektrické izolační vlastnosti spotřebiče.



- Spotřebič musí být umístěn na dobře větraném místě v interiéru; podlaha musí být rovná a pevná (otáčením doleva nebo doprava nastavte vyrovnávací nožičky, pokud je spotřebič nestabilní).



- Nad spotřebičem by měl být prostor větší než 30 cm a spotřebič by měl být umístěn u zdi s volnou vzdáleností více než 10 cm, aby se usnadnil odvod tepla.



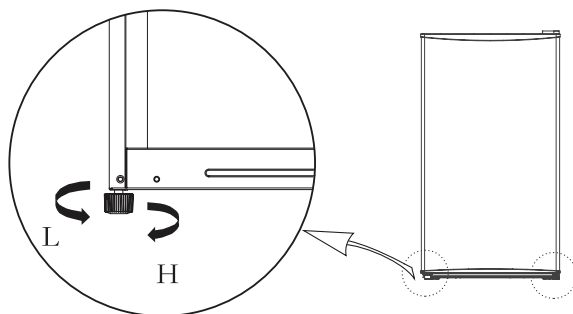
Preventivní opatření před instalací:

Informace v návodu k obsluze jsou pouze orientační. Fyzický produkt se může lišit. Před instalací a nastavením příslušenství se ujistěte, zda je spotřebič odpojen od napájení.

Musí se přijmout preventivní opatření, aby se zabránilo pádu rukojeti, který by mohl způsobit zranění osob.

Vyrovňovací nožičky

Schematické vyobrazení vyrovnávacích nožiček







(Výše uvedený obrázek je pouze orientační. Skutečná konfigurace bude záviset na fyzickém produktu nebo prohlášení distributora.)

Postupy úpravy:

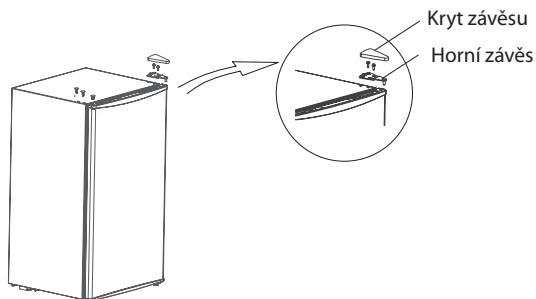
- Otočte nožičky ve směru hodinových ručiček, abyste spotřebič zvedli;
- Otočte nožičky proti směru hodinových ručiček, abyste spotřebič snížili;
- Nastavte pravou a levou nožičku podle výše uvedených postupů do vodorovné úrovně.

Změna směru otevírání dvířek

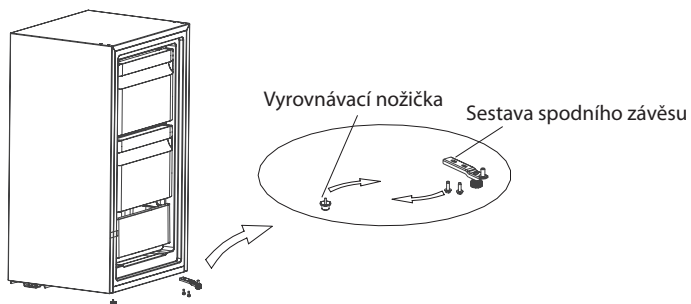
Seznam nástrojů, které má poskytnout uživatel			
	Křížový šroubovák		Špachtle nebo šroubovák s tenkou čepelí
	5/16" Nástrčkový klíč		Maskovací páska

Díly, které je třeba použít při změně směru otevírání dvířek			
Číslo	Název	Počet	Poznámka
1	Horní závěs	1	Předem nainstalovaný ve spotřebiči, stále se používá při změně směru otevírání
2	Kryt závěsu	1	Předem nainstalovaný ve spotřebiči, stále se používá při změně směru otevírání
3	Závitový zajišťovací šroub	5	Předem nainstalovaná ve spotřebiči, stále se používá při změně směru otevírání
4	Kryt otvoru	1	Předem nainstalovaný ve spotřebiči, stále se používá při změně směru otevírání
5	Kolík	2	Předem nainstalovaný ve spotřebiči, stále se používá při změně směru otevírání
6	Sestava spodního závěsu	1	Předem nainstalovaná ve spotřebiči, stále se používá při změně směru otevírání
7	Vyrovňovací nožička	1	Předem nainstalovaná ve spotřebiči, stále se používá při změně směru otevírání
8	Závitový šroub	1	Předem nainstalovaná ve spotřebiči, stále se používá při změně směru otevírání

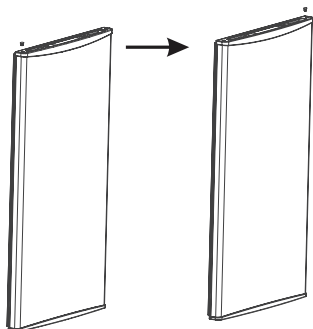
- 1) Vypněte spotřebič a vyjměte všechny předměty z regálů na dvířkách.
- 2) Demontujte kryt závěsu, šrouby a horní závěs a vyjměte kryt otvoru a kolíky z druhé strany.



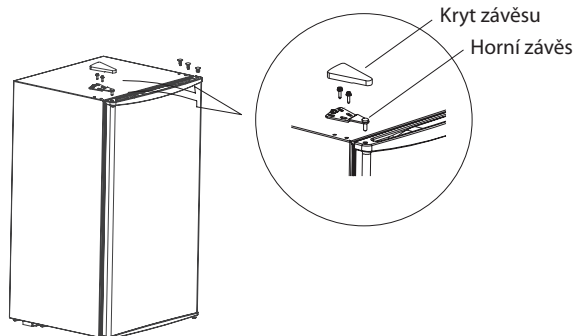
- 3) Nejdříve sejměte dvířka, poté demontujte sestavu spodního závěsu a vyrovnávací nožičku, vyměňte pozice sestavy spodního závěsu a vyrovnávací nožičky a nainstalujte je.



- 4) Demontujte uzávěr otvoru pod dvířky a poté nasadte uzávěr otvoru na druhé straně.



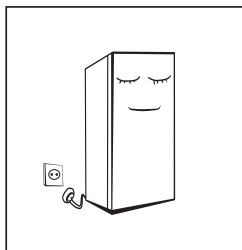
- 5) Nainstalujte dvířka na sestavu spodního závěsu a poté postupně nainstalujte horní závěs, kryt závěsu, kolíky a uzávěr otvoru.



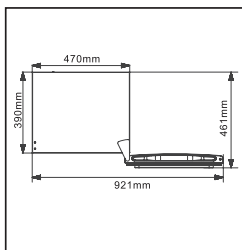
(Výše uvedený obrázek je pouze orientační. Skutečná konfigurace bude záviset na fyzickém produktu nebo prohlášení distributora.)

Zahájení používání

- Před prvním spuštěním nechte chladničku v klidu po dobu půl hodiny, než ji připojíte ke zdroji napájení.
- Před vložením jakýchkoli čerstvých nebo mrazených potravin musí být chladnička v provozu 2–3 hodiny nebo v létě více než 4 hodiny, když je okolní teplota vysoká.



- Zajistěte dostatek prostoru pro pohodlné otevření dvířek a zásuvek nebo vyjádření distributora.



Tipy na úsporu energie

- Spotřebič by měl být umístěn v nejchladnější části místnosti, daleko od zařízení produkujících teplo nebo topných potrubí a mimo přímé sluneční záření.
- Před vložením do spotřebiče nechte horké potraviny vychladnout na pokojovou teplotu. Přetížení spotřebiče nutí kompresor pracovat déle. Potraviny, které se zmrazují velmi pomalu, mohou ztratit kvalitu nebo se pokazit.
- Potraviny před vložením do spotřebiče řádně zabalte a otřete dosucha. Tím se sníží tvorba námrazy uvnitř spotřebiče.
- Nádobu pro uskladnění spotřebiče by neměla být vyložena hliníkovou fólií, voskovým papírem nebo papírovou utěrkou. Vložky narušují cirkulaci studeného vzduchu, což snižuje účinnost spotřebiče.
- Uspořádejte a označujte potraviny, abyste snížili četnost otevírání dvířek a zdlouhavé vyhledávání. Vyjměte tolik věcí, kolik potřebujete najednou a co nejdříve zavřete dvířka.

Tabulka klimatických tříd

Třída	Symbol	Rozsah teplot okolí v °C
Rozšířené mírné	SN	+ 10 až + 32
Mírné	N	+ 16 až + 32
Subtropické	ST	+ 16 až + 38
Tropické	T	+ 16 až + 43

Rozšířené mírné:

tento chladicí spotřebič je určen k používání při teplotě okolí v rozsahu od 10 °C do 32 °C;

Mírné:

tento chladicí spotřebič je určen k používání při teplotě okolí v rozsahu od 16 °C do 32 °C;

Subtropické:

tento chladicí spotřebič je určen k používání při teplotě okolí v rozsahu od 16 °C do 38 °C;

Tropické:

tento chladicí spotřebič je určen k používání při teplotě okolí v rozsahu od 16 °C do 43 °C;

Pokud spotřebič pracuje mimo klimatické třídy (rozsah teplot okolí), pro kterou je dimenzován, nemusí být schopen udržovat uspokojivé trvalé teploty.

Speciálně pro nový evropský standard

- Objednané díly v následující tabulce lze získat z kanálu:

Objednaný díl	Poskytujeme	Minimální čas potřebný k poskytnutí
termostaty	Profesionální personál údržby.	Minimálně 7 let po uvedení posledního modelu na trh.
teplotní senzory	Profesionální personál údržby.	Minimálně 7 let po uvedení posledního modelu na trh.
desky plošných spojů	Profesionální personál údržby.	Minimálně 7 let po uvedení posledního modelu na trh.
rukojeti dvířek	Profesionální opraváři a koncoví uživatelé.	Minimálně 7 let po uvedení posledního modelu na trh.
závěsy dvířek	Profesionální opraváři a koncoví uživatelé.	Minimálně 7 let po uvedení posledního modelu na trh.
regály	Profesionální opraváři a koncoví uživatelé.	Minimálně 7 let po uvedení posledního modelu na trh.
koše	Profesionální opraváři a koncoví uživatelé.	Minimálně 7 let po uvedení posledního modelu na trh.
těsnění dvířek	Profesionální opraváři a koncoví uživatelé.	Minimálně 10 let po uvedení posledního modelu na trh.

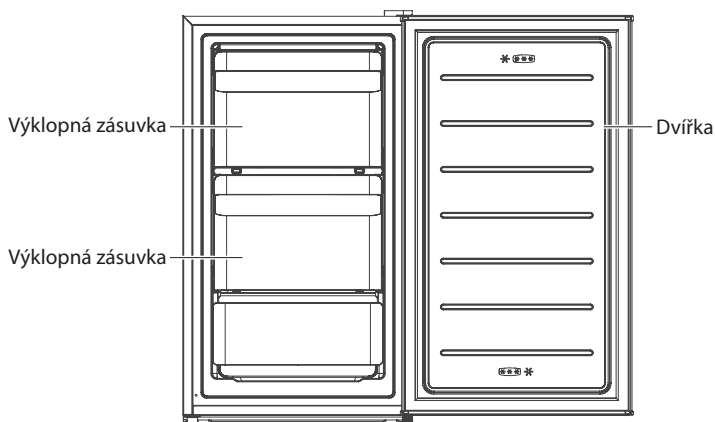
- Nejkratší lhůta pro poskytnutí poprodejních náhradních dílů je 15 pracovních dnů.
- Informace o modelu a identifikaci modelu v databázi produktů lze získat naskenováním webového odkazu na QR kódu (pokud existuje) na štítku energetické účinnosti produktu.

Vážený zákazník

- Pokud chcete produkt vrátit nebo vyměnit, kontaktujte prodejnu, kde jste jej koupili.
(Nezapomeňte si přinést doklad o zakoupení)
- Pokud se váš produkt porouchá a je třeba jej opravit, kontaktujte poskytovatele poprodejního servisu.
Telefon:
E-mailová adresa:

ČÁST 3: POPIS SPOTŘEBIČE A JEHO FUNKCE

Hlavní prvky spotřebiče



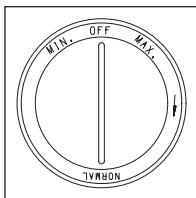
(Výše uvedený obrázek je pouze orientační. Skutečná konfigurace bude záviset na fyzickém produktu nebo prohlášení distributora.)

Mrazicí přihrádka

- Nízkoteplotní mrazicí přihrádka může udržet potraviny čerstvé po dlouhou dobu a používá se hlavně na skladování mražených potravin a výrobu ledu. Vložení potravin do spodní zásuvky je energeticky neefektivnější.
- Mrazicí přihrádka je vhodná pro skladování masa, ryb, rýžových kuliček a jiných potravin, které se krátkodobě nezkonsumují.
- Velké kusy masa by se měly co nejvíce rozdělit na malé kousky a poté vložit, což je vhodné pro rychlé zmrazení a jejich vyjímání.

Poznámka: Skladování velmi velkého množství potravin během provozu po prvním připojení k napájení může nepříznivě ovlivnit mrazicí účinek chladničky. Skladované potraviny nesmí blokovat výstup vzduchu; v opačném případě bude také nepříznivě ovlivněn mrazicí účinek.

Otočný ovladač teploty



- Značky na otočném ovladači označují „MIN, NORMAL, MAX a OFF“ pro různé úrovně teploty.
„MIN.“ představuje nejteplejší nastavení;
„MAX.“ představuje nejchladnější nastavení;
Pro běžné použití nastavte otočný ovladač do polohy „NORMAL“.
Doporučené nastavení ovladače: „NORMAL“

ČÁST 4: ÚDRŽBA A PÉČE O SPOTŘEBIČ

Čištění

- Prach za chladničkou a na zemi je třeba včas odstranit, aby se zlepšil chladicí účinek a úspora energie.
- Pravidelně kontrolujte těsnění dvířek, abyste se ujistili, že v něm nejsou žádné nečistoty. Očistěte těsnění dvířek měkkým hadříkem navlhčeným v mýdlové vodě nebo zředěném saponátu.
- Vnitřní prostor spotřebiče by se měl pravidelně čistit, aby nevznikal zápach.
- Před čištěním vnitřního prostoru vypněte napájení, vyjměte všechny potraviny, nápoje, poličky, zásuvky atd.
- Na čištění vnitřního prostoru spotřebiče použijte měkký hadřík nebo houbu se dvěma polévkovými lžicemi jedlé sody a litrem teplé vody. Potom opláchněte vodou a otřete dočista. Po vyčištění otevřete dvířka a před zapnutím nechte přirozeně vyschnout.
- Místa, která se ve spotřebiči čistí komplikovaně (jako jsou úzké štěrbiny, mezery nebo rohy), se doporučuje pravidelně utírat měkkým hadříkem, měkkým kartáčem atp. a v případě potřeby v kombinaci s některými pomocnými nástroji (jako jsou tenké tyčinky), aby se v těchto oblastech nehromadily žádné nečistoty nebo bakterie.
- Nepoužívejte mýdlo, saponát, čisticí prášek, sprejový čistič atd., protože mohou způsobit zápach uvnitř chladničky nebo kontaminované potraviny.
- Držák láhve, poličky a zásuvky čistěte měkkou utěrkou navlhčenou v mýdlové vodě nebo zředěném saponátu. Osušte měkkým hadříkem nebo nechte vysušit přirozeně.
- Vnější povrch spotřebiče otřete měkkým hadříkem navlhčeným v mýdlové vodě, saponátu atp. a pak otřete dosucha.
- Nepoužívejte tvrdé kartáče, čisté ocelové kuličky, drátěné kartáče, abrazivní prostředky (jako jsou zubní pasty), organická rozpouštědla (jako je alkohol, aceton, banánový olej atd.), vařící vodu, kyselé nebo alkalické předměty, které mohou poškodit povrch a vnitřní prostor spotřebiče. Vařící voda a organická rozpouštědla, jako je benzen, mohou deformovat nebo poškodit plastové části.
- Během čištění neoplachujte přímo vodou ani jinými tekutinami, abyste předešli zkratům nebo neovlivnili elektrickou izolaci po ponoření.



Za účelem odmrazování a čištění odpojte spotřebič od elektrické sítě.

Odmrazování

- Vypněte napájení spotřebiče.
- Vyjměte potraviny ze spotřebiče a umístěte je správně, aby potraviny nerozmrzly.
- Vyčistěte odtokové potrubí (pokud chcete použít měkké materiály, abyste zabránili poškození vložky). Připravte nádoby na vodu pro odmrázování. (Věnujte pozornost vyčištění misky na odtok vody z prostoru kompresoru. Zabraňte vytékání vody na podlahu).
- Na přirozené odmrázování můžete využít přirozenou teplotu, k odstranění námrazy můžete použít i lopatku na led (použijte plastovou nebo dřevěnou lopatku na led, aby se předešlo poškození vložky nebo potrubí)
- Na urychlení rozmrazování můžete použít i přiměřené množství horké vody a pomocí suchého ručníku vodu po rozmrazení vysušte.
- Po odmrázení vložte potraviny zpět do spotřebiče a spotřebič zapněte.

Přestání používání spotřebiče

- Výpadek dodávky elektrické energie: V případě výpadku dodávky elektrické energie, i když je to v létě, mohou potraviny ve spotřebiči zůstat několik hodin; během výpadku dodávky elektrické energie je třeba zkrátit časy otevírání dvířek a do spotřebiče se již nesmí vkládat žádné čerstvé potraviny.
- Dlouhodobé nepoužívání spotřebiče: Spotřebič je třeba odpojit od elektrické sítě a poté vyčistit; pak je třeba nechat otevřená dvířka, aby se zabránilo tvorbě zápachu.
- Přemísťování spotřebiče: Před přemístěním spotřebiče vyjměte všechny předměty ven ze spotřebiče, připevněte skleněné poličky, držák na zeleninu, zásuvky mrazící přihrádky atd. páskou a utáhněte vyrovnávací nožičky; zavřete dvířka a utěsněte je páskou. Během přemísťování nesmí být spotřebič položen vzhůru nohama nebo vodorovně a nesmí být vystaven vibracím; sklon v průběhu přepravy nesmí být větší než 45°. Při přemísťování spotřebiče ho nedržte za dvířka a závěsy.

Po spuštění musí spotřebič nepřetržitě běžet. Obecně by neměl být provoz spotřebiče přerušen; v opačném případě může být snížena životnost.

ČÁST 5: ŘEŠENÍ PROBLÉMŮ

Můžete se pokusit vyřešit následující jednoduché problémy sami.
Pokud je nelze vyřešit, kontaktujte servisní středisko.

Problém	Možná příčina a řešení
Spotřebič nefunguje.	Zkontrolujte, zda je spotřebič připojen k napájení nebo zda je zástrčka v dobrém kontaktu s elektrickou zásuvkou. Zkontrolujte, zda není napětí v elektrické síti příliš nízké. Zkontrolujte, zda nedošlo k výpadku dodávky elektrické energie nebo zda nedošlo k vypnutí částečných obvodů.
Zápach.	Potraviny se zápachem musí být pevně zabaleny. Zkontrolujte, zda není ve spotřebiči nějaké zkažené jídlo. Vyčistěte vnitřní prostor spotřebiče.
Dlouhodobý provoz kompresoru.	Dlouhodobý provoz spotřebiče je normální v létě, kdy je okolní teplota vysoká. Nedoporučuje se mít ve spotřebiči současně příliš mnoho potravin. Potraviny musí před vložením do spotřebiče vychladnout. Dvířka spotřebiče jsou otevřívána velmi často.
Dvířka nelze správně zavřít.	Dvířka jsou přilepená obalem potravin. Do spotřebiče je vloženo velmi mnoho potravin. Chladnička je nakloněná.
Hlasitý zvuk.	Zkontrolujte, zda je podlaha rovná a zda je chladnička stabilně umístěna. Zkontrolujte, zda je příslušenství spotřebiče umístěno na správných místech.
Mezera v těsnění.	Odstraňte cizí předměty z těsnění dvířek. Zahřejte těsnění dvířek a poté jej ochlaďte z důvodu obnovy (nebo jej vyfoukejte elektrickým vysoušečem vlasů nebo použijte horký ručník na ohřev).
Zásobník na vodu přetéká.	Ve vnitřním prostoru je velmi mnoho potravin nebo uložené potraviny obsahují velmi mnoho vody, což vede k silnému odmrazování. Dvířka nejsou správně zavřena, což má za následek námrazu v důsledku vstupu vzduchu a zvýšenou hladinu vody v důsledku odmrazování.
Přehřátí bočních stěn spotřebiče.	Odvod tepla vestavěného kondenzátoru přes kryt spotřebiče, což je normální. Když se kryt spotřebiče zahřeje v důsledku vysoké okolní teploty, skladování velmi velkého množství potravin nebo vypnutí kompresoru, zajistěte dostatečnou ventilaci, aby se usnadnilo odvádění tepla.
Kondenzace vlhkosti na povrchu.	Kondenzace vlhkosti na vnějším povrchu a těsnění dvířek spotřebiče je normální, když je okolní vlhkost velmi vysoká. Kondenzát stačí otřít čistou utěrkou.
Nestandardní zvuky.	Bzučení: Kompresor může během provozu vydávat bzučení a bzučení je hlasité zejména při jeho spuštění nebo zastavení. Toto je normální. Vrzání: Chladivo proudící uvnitř spotřebiče může způsobovat vrzání, což je normální.

Pokyny ke skladování

Respektujte prosím následující pokyny, aby nedošlo ke kontaminaci potravin

- Dlouhé otevírání dveří může způsobit výrazné zvýšení teploty v oddělech spotřebiče.
- Pravidelně čistěte povrchy, které mohou přijít do styku s potravinami a přístupnými drenážními systémy.
- Syrové maso a ryby umístěte do vhodných nádob v chladničce, aby se nedostaly do kontaktu s jinými potravinami ani na ně nekapaly.
- **Dvuhvězdičkové prostory pro mražené potraviny jsou vhodné pro skladování předem zmrazených potravin, skladování nebo výrobu zmrzliny a výrobu kostek ledu.
- *Jedno-, **dvou- a *** tříhvězdičkové prostory nejsou vhodné pro zmrazování čerstvých potravin.

Č.	TYP prostoru	Cílová teplota skladování [°C]	Vhodné potraviny
1	Chladnička	+2 ~ +8	Vejce, vařené pokrmy, balené potraviny, ovoce a zelenina, mléčné výrobky, koláče, nápoje a jiné potraviny, které nejsou vhodné k mrazení.
2	(***)*- Mraznička	≤ -18	Mořské plody (ryby, krevety, měkkýši), čerstvé výrobky ze sladkovodních ryb a masné výrobky (doporučená doba jsou 3 měsíce, čím je doba skladování delší, tím je horší chuť a nutriční hodnoty), vhodné pro čerstvé zmrazené potraviny.
3	***- Mraznička	≤ -18	Mořské plody (ryby, krevety, měkkýši), čerstvé výrobky ze sladkovodních ryb a masné výrobky (doporučená doba jsou 3 měsíce, čím je doba skladování delší, tím je horší chuť a nutriční hodnoty), vhodné pro čerstvé zmrazené potraviny.
4	** - Mraznička	≤ -12	Mořské plody (ryby, krevety, měkkýši), čerstvé výrobky ze sladkovodních ryb a masné výrobky (doporučená doba jsou 2 měsíce, čím je doba skladování delší, tím je horší chuť a nutriční hodnoty), není vhodné pro čerstvé zmrazené potraviny.
5	*- Mraznička	≤ -6	Mořské plody (ryby, krevety, měkkýši), čerstvé výrobky ze sladkovodních ryb a masné výrobky (doporučená doba je 1 měsíc, čím je doba skladování delší, tím je horší chuť a nutriční hodnoty), není vhodné pro čerstvé zmrazené potraviny.
6	0 - hvězdiček	-6 ~ 0	Čerstvé vepřové maso, hovězí maso, ryby, kuřecí maso, některé balené zpracované potraviny atd. (Doporučuje se konzumovat v ten samý den, pokud možno neskladovat déle než 3 dny). Částečně zabalené zpracované potraviny (nemrzoucí potraviny)

7	Chlazení	-2 ~ +3	Čerstvé/mražené vepřové maso, hovězí maso, kuřecí maso, čerstvé výrobky ze sladkovodních ryb, atd. (7 dní při teplotě pod 0 °C a při teplotě nad 0 °C se doporučuje konzumovat v ten samý den, pokud možno neskladovat déle než 2 dny). Mořské plody (při teplotě pod 0 °C skladovat 15 dní, nedoporučuje se skladovat při teplotě nad 0 °C).
8	Čerstvé potraviny	0 ~ +4	Čerstvé vepřové maso, hovězí maso, ryby, kuřecí maso, vařené potraviny, atd. (Doporučuje se konzumovat v ten samý den, pokud možno neskladovat déle než 3 dny).
9	Víno	+5 ~ +20	Červené víno, bílé víno, šumivé víno atd.

Poznámka: Uchovávejte různé potraviny podle prostorů nebo cílové teploty skladování zakoupených výrobků.

- Pokud necháte chladicí spotřebič delší dobu prázdný, vypněte ho, odmrazte, vyčistěte, vysušte a nechte dvířka otevřená, abyste tak zabránili tvorbě plísní ve spotřebiči.

Rozmístění potravin ve spotřebiči

- Brambory, cibule a česnek by neměly být uchovávány v chladničce/mrazničce.
- Za normálních okolností je dostatečné nastavení teploty v chladničce na + 4 °C.
- Teplota chladničky by měla být v rozsahu 0 °C až 8 °C. Čerstvé potraviny skladované pod 0 °C zmrznou, hnijí. Bakteriální zátěž se zvyšuje při skladování nad 8 °C a potraviny se kazí.
- Nedávejte do chladničky/mrazničky teplá nebo horká jídla, počkejte, až vychladnou na pokojovou teplotu. Horká jídla zvyšují teplotu uvnitř chladničky/mrazničky a mohou být příčinou zbytečného kažení jídla a případnou otravou zkaženým jídlem.
- Maso, ryby atd. by měly být skladovány v chladicí přihrádce k tomu určené - pokud je k dispozici.
- Ovoce a zelenina by měly být skladovány v chladicí přihrádce k tomu určené - pokud je k dispozici.
- Abyste zabránili kontaminaci masných výrobků bakteriemi, ovoce a zeleninu neuchovávejte ve společné přihrádce. To samé platí i opačně - kontaminace ovoce a zeleniny bakteriemi masných výrobků.

ČÁST 6: INFORMAČNÍ LIST

Informační list

PHILCO 

DELEGOVANÉ NAŘÍZENÍ KOMISE (EU) 2019/2016

Název nebo ochranná známka výrobce: PHILCO

Adresa výrobce: FAST ČR, a.s., U Sanitatu 1621, Říčany 251 01, Czech Republic

Identifikační značka modelu: PTF 60 EW

Typ chladicího zařízení: Mraznička

Nízkohlučný spotřebič:	Ne	Typ spotřebiče:	volně stojící
------------------------	----	-----------------	---------------

Zařízení pro skladování vína:	Ne	Ostatní chladicí spotřebiče	Ano
-------------------------------	----	-----------------------------	-----

Základní specifikace:

Parametr	Hodnota	Parametr	Hodnota
Rozměry v mm	Výška	Celkový objem (dm ³ nebo l)	60
	Šířka		
	Hloubka		
Index energetické účinnosti (EEL)	100	Třída energetické účinnosti*	E
Akustický zvuk emise hluku (dB(A) re 1 pW)	41	Třída akustických emisí hluku	C
Roční spotřeba energie (kWh/rok)	156	Klimatická třída:	mírné pásmo, subtropické pásmo
Minimální okolní teplota (° C), pro které je chladicí zařízení vhodné	16	Maximální okolní teplota (° C), pro které je chlazení zařízení je vhodné	38
Nastavení spotřebiče na zimu	Ne		

Specifikace prostoru

Typ prostoru	Parametry a hodnoty chladicího prostoru			
	Objem spotřebiče (dm ³ nebo l)	Doporučené nastavení teploty pro optimalizované skladování potravin (° C)	Mrazicí kapacita (kg/24h)	Typ odmrazování: (auto-odmrazování = A manuální odmrazování = M)
Komora / spíž	Ne	-	-	-
Skladování vína	Ne	-	-	-
Sklepní prostor	Ne	-	-	-

Čerstvé potraviny	Ne	-	-	-	-
Mrazicí prostor	Ne	-	-	-	-
0-hvězdička nebo výrobník ledu	Ne	-	-	-	-
1-hvězdička	Ne	-	-	-	-
2-hvězdička	Ne	-	-	-	-
3-hvězdička	Ne	-	-	-	-
4-hvězdička	Ano	60,0	- 18	6,0	M
2-hvězdičkový prostor	Ne	-	-	-	-
Zásuvka s měnící se teplotou	-	-	-	-	-
4-hvězdičkový prostor					
Funkce rychlého zmrazení			Ne		
Parametry zdroje světla:					
Typ světelného zdroje			-		
Třída energetické účinnosti			-		
Minimální doba trvání záruky nabízené výrobcem: 24 měsíců					
Dodatečné informace:					
Webový odkaz na web výrobce, kde jsou informace uvedené v bodě 4 (a) přílohy nařízení Komise (EU) 2019/2022 nalezeno: www.philco.cz					

* A (nejvyšší účinnost) až G (nejnižší účinnost)

TECHNICKÉ INFORMACE

Technické informace se nachází na typovém štítku na vnitřní straně spotřebiče a na energetickém štítku. QR kód, na dodaném energetickém štítku, obsahuje odkaz na registraci spotřebiče v databázi EU Eprel. Uchovejte si energetický štítek, návod k použití, spolu s dalšími dokumenty dodanými s přístrojem.

INFORMACE O TESTOVÁNÍ

Dodané zařízení je v souladu s EcoDesignem a EN62552. Požadavky na přístup vzduchu pro správný provoz přístroje, minimální vzdálenost od zdi a rozměry přístroje, jsou součástí tohoto návodu. V případě dalších dotazů se obraťte na výrobce.

PÉČE O ZÁKAZNÍKA A SERVIS

Vždy používejte pouze originální náhradní díly.

Označení modelu a sériové číslo naleznete na typovém štítku. Polohu typového štítku je možné změnit bez předchozího upozornění.

Originální náhradní díly pro některé konkrétní komponenty jsou k dispozici minimálně 7 nebo 10 let. Závisí to na typu komponentu a na uvedení posledního spotřebiče daného modelu na trh.

Při kontaktování našeho autorizovaného servisu mějte k dispozici modelové označení, sériové číslo a popis závady.

Pro stažení dokumentů navštivte www.philco.cz.

Pro nahlášení závady a získání dalších servisních informací navštivte <https://philco.cz/podpora-a-servis>.

Změny vyhrazeny bez předchozího upozornění.

POKYNY A INFORMACE TÝKAJÍCÍ SE LIKVIDACE POUŽITÝCH OBALOVÝCH MATERIÁLŮ

Obalové materiály zlikvidujte na veřejném místě pro likvidaci odpadu.

LIKVIDACE POUŽITÝCH ELEKTRICKÝCH A ELEKTRONICKÝCH SPOTŘEBIČŮ



Význam symbolu na výrobku, jeho příslušenství nebo obalu znamená, že s tímto výrobkem nesmí být zacházeno jako s komunálním odpadem. Tento výrobek zlikvidujte na příslušném sběrném místě pro recyklaci odpadu z elektrických a elektronických zařízení. Popřípadě je možné v některých státech Evropské unie nebo jiných evropských státech vrátit své výrobky místnímu prodejci, v případě koupě obdobného nového výrobku. Správná likvidace tohoto výrobku pomůže ušetřit cenné přírodní zdroje a pomoci při prevenci případného negativního vlivu na životní prostředí a lidské zdraví, ke kterému by mohlo dojít v důsledku nesprávné likvidace odpadu. Podrobnější informace získáte od místního úřadu nebo v nejbližším středisku pro sběr odpadu. Nesprávná likvidace tohoto typu odpadu může podléhat vnitrostátním předpisům o pokutách.

Pro podnikatelské subjekty v Evropské unii

Chcete-li zlikvidovat elektrické nebo elektronické zařízení, vyžádejte si potřebné informace od svého prodejce nebo dodavatele.

Likvidace v jiných státech mimo Evropské unie

Chcete-li zlikvidovat tento výrobek, vyžádejte si potřebné informace o správném způsobu likvidace od místních úřadů nebo svého prodejce.



Tento výrobek splňuje všechny základní požadavky nařízení EU, které se na něj vztahují.

Změny v textu, designu a technických údajích se mohou vyskytnout bez předchozího upozornění a vyhrazujeme si právo provést tyto změny.

Originál tohoto návodu k obsluze je v českém jazyce.



VAROVÁNÍ! BĚHEM POUŽÍVÁNÍ, SERVISU A LIKVIDACE VĚNUJTE POZORNOST SYMBOLU PODOBNÉMU NA LEVÉ STRANĚ, KTERÝ JE UMÍSTĚN NA ZADNÍ STRANĚ SPOTŘEBIČE (ZADNÍ PANEL NEBO KOMPRESOR) A SE ŽLUTOU NEBO ORANŽOVOU BARVOU.



JE TO RIZIKO POŽÁRNÍHO VAROVNÉHO SYMBOLU. JSOU ZDE HOŘLAVÉ MATERIÁLY POTRUBÍ A KOMPRESOR. BUĎTE DALEKO OD OHNĚ BUĎTE PROSÍM DALEKO OD ZDROJE OHNĚ BĚHEM POUŽÍVÁNÍ, OBSLUHY SPOTŘEBIČE A LIKVIDACE.

MRAZNIČKA

NÁVOD NA OBSLUHU

PHILCO



Famous for Quality the World Over

PTF 60 EW

Vážený zákazník,
Ďakujeme, že ste si kúpili výrobok značky PHILCO. Aby mohol váš spotrebič slúžiť dobre, prečítajte si všetky pokyny uvedené v tomto návode na obsluhu.

OBSAH

ČASŤ 1: BEZPEČNOSTNÉ POKYNY	3
ČASŤ 2: SPRÁVNE POUŽITIE SPOTREBIČA	12
UMIESTNENIE	12
VYROVNÁVACIE NOŽIČKY	13
ZMENA SMERU OTVÁRANIA DVIEROK	14
ZAČATIE POUŽÍVANIA	16
TIPY NA ÚSPORU ENERGIE	17
TABUĽKA KLIMATICKÝCH TRIED	17
ŠPECIÁLNE PRE NOVÝ EURÓPSKY ŠTANDARD	18
ČASŤ 3: POPIS SPOTREBIČA A JEHO FUNKCIE	19
HLAVNÉ PRVKY SPOTREBIČA	19
MRAZIACA PRIEHRADKA	19
OTOČNÝ OVLÁDAČ TEPLoty	20
ČASŤ 4: ÚDRŽBA A STAROSTLIVOSŤ O SPOTREBIČ	21
ČISTENIE	21
ODMRAZOVANIE	22
PRESTANIE POUŽÍVANIA SPOTREBIČA	22
ČASŤ 5: RIEŠENIE PROBLÉMOV	23
POKYNY KU SKLADOVANIU	24
ROZMIESTNENIE POTRAVIN V SPOTREBIČI	25
ČASŤ 6: INFORMAČNÝ LIST	26
TECHNICKÉ INFORMÁCIE	28
INFORMÁCIE O TESTOVANÍ	28
STAROSTLIVOSŤ O ZÁKAZNÍKA A SERVIS	28
POKYNY A INFORMÁCIE TÝKAJÚCE SA LIKVIDÁCIE POUŽITÝCH OBALOVÝCH MATERIÁLOV	29
LIKVIDÁCIA POUŽITÝCH ELEKTRICKÝCH A ELEKTRONICKÝCH SPOTREBIČOV	29



Zariadenie bolo testované podľa platných smerníc Európskej únie. Zariadenie vyhovuje bezpečnostným ustanoveniam platným pre elektrické spotrebiče v Európskej únii.

Vážený zákazník:

Ďakujeme Vám za kúpu tejto chladničky. Aby ste pri používaní tejto chladničky dosiahli najlepšie výsledky, prečítajte si tento návod na obsluhu.

Uistite sa, že obalový materiál je zlikvidovaný v súlade s aktuálnymi environmentálnymi požiadavkami.

Pri likvidácii akéhokoľvek chladiaceho zariadenia kontaktujte miestny úrad pre likvidáciu odpadu, kde vám budú poskytnuté informácie o bezpečnej likvidácii.

Tento spotrebič je možné používať len na určený účel.

POZOR:

Spotrebič nesmú používať malé deti alebo staršie osoby bez dozoru.
Na malé deti by ste mali dohliadať, aby sa spotrebičom nehrali.

ČASŤ 1: BEZPEČNOSTNÉ POKYNY

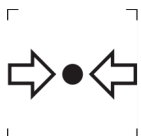


Z DÔVODU VAŠEJ BEZPEČNOSTI A SPRÁVNEHO POUŽITIA, EŠTE PRED INŠTALÁCIOU A PRVÝM POUŽITÍM SPOTREBIČA, SI POZORNE PREČÍTAJTE TENTO NÁVOD NA OBSLUHU, VRÁTANE TÝCHTO TIPOV A VAROVANÍ. ABY STE ZABRÁNILI NEŽIADUCIM CHYBÁM A NEHODÁM, JE DÔLEŽITÉ ZAISTIŤ, ABY SA VŠETKY OSOBY POUŽÍVAJÚCE TENTO SPOTREBIČ DÔKLADNE ZOZNÁMILI S JEHO OBSLUHOU A BEZPEČNOSTNÝMI FUNKCIAMI.

USCHOVAJTE SI TIETO POKYNY A V PRÍPADE PREDANIA SPOTREBIČA SA UISTITE, ČI ZOSTAL TENTO NÁVOD V SPOTREBIČI TAK, ABY BOL POUŽÍVANÝ V PRIEBEHU CELEJ ŽIVOTNOSTI A SPRÁVNE INFORMOVAL O SPRÁVNOM POUŽÍVANÍ SPOTREBIČA A BEZPEČNOSTI. Z BEZPEČNOSTNÝCH DÔVODOV A PRE OCHRANU MAJETKU DODRŽIAVAJTE POKYNY V TOMTO NÁVODE, PRETOŽE VÝROBCA NENESIE ŽIADNU ZODPOVEDNOSŤ ZA POŠKODENIA SPÔSOBENÉ NEDODRŽANÍM TÝCHTO POKYNOV.

- TENTO SPOTREBIČ MÔŽU POUŽÍVAŤ DETI OD 8 ROKOV A OSOBY S OBMEDZENÝMI FYZICKÝMI, SENZORICKÝMI ALEBO MENTÁLNYMI SCHOPNOSŤAMI, ALEBO BEZ DOSTATOČNÝCH SKÚSENOSTÍ A ZNALOSTÍ, AK SÚ POD DOHĽADOM ALEBO BOLI POUČENÉ O SPRÁVNOM A BEZPEČNOM POUŽITÍ SPOTREBIČA A POROZUMELI MOŽNÝM RIZIKÁM.
- DETI VO VEKU 3 AŽ 8 ROKOV MÔŽU VKLADAŤ A VYBERAŤ POTRAVINY Z CHLADIACICH SPOTREBIČOV.
- DETI SA SO SPOTREBIČOM NESMÚ HRAŤ.
- ČISTENIE A ÚDRŽBU NESMÚ VYKONÁVAŤ DETI BEZ DOZORU.

- AK JE NAPÁJACÍ KÁBEL POŠKODENÝ, JEHO VÝMENU ZVERTE ODBORNÉMU SERVISNÉMU STREDISKU, ABY SA ZABRÁNILO VZNIKU NEBEZPEČENEJ SITUÁCIE. SPOTREBIČ S POŠKODENÝM NAPÁJACÍM KÁBLOM JE ZAKÁZANÉ POUŽÍVAŤ.
- **UPOZORNENIE:** AK MÁ VÁŠ MODEL VÝROBNÍK ĽADU BEZ PRIPOJENIA PRÍVODU VODY, NAPLNTE HO LEN PITNOU VODOU.
- **VAROVANIE:** VETRACIE OTVORY V KRYTE SPOTREBIČA ALEBO V JEHO KONŠTRUKCII JE POTREBNÉ UDRŽIAVAŤ VOĽNÉ A BEZ PREKÁŽOK.
- **VAROVANIE:** NA URÝCHLENIE PROCESU ODMRAZOVANIA NEPOUŽÍVAJTE MECHANICKÉ ZARIADENIA ANI INÉ PROSTRIEDKY AKO SÚ TIE, KTORÉ SÚ ODPORÚČANÉ VÝROBCOM.
- **VAROVANIE:** NEPOŠKODZUJTE CHLADIACI OBVOD.
- **VAROVANIE:** VO VNÚTRI SKLADOVACIEHO PRIESTORU SPOTREBIČA NEPOUŽÍVAJTE ELEKTRICKÉ ZARIADENIA, POKIAĽ NEJDE O TYP, KTORÝ JE ODPORÚČANÝ VÝROBCOM.
- **VAROVANIE:** VO VNÚTRI SKLADOVACIEHO PRIESTORU SPOTREBIČA NEPOUŽÍVAJTE ELEKTRICKÉ ZARIADENIA, POKIAĽ NEJDE O TYP, KTORÝ JE ODPORÚČANÝ VÝROBCOM.



ZNAČKA ISO 7000-1701 (2004-01)
OZNAČUJE MÉDIUM POD TLAKOM.

TENTO SPOTREBIČ JE URČENÝ NA POUŽITIE V DOMÁCNOSTI A NA PODOBNÉ ÚČELY, AKO SÚ NAPRÍKLAD:

- KUCHYNKY PRE ZAMESTNANCOV V PREDAJNIACH, KANCELÁRIÁCH A INÝCH PRACOVNÝCH PROSTREDIACH;
- NA FARMÁCH A KLIENTMI HOTELOV, MOTELOV A INÝCH PROSTREDÍ REZIDENČNÉHO TYPU;
- PROSTREDIE UBYTOVANIA S RAŇAJKAMI;
- STRAVOVANIE A PODOBNÉ MALOOBCHODNÉ VYUŽITIA.

LEN NIEKTORÉ VYBRANÉ MODELY CHLADNIČIEK OBSAHUJÚ VÝROBNÍK ĽADU. ZABUDOVANÉ VÝROBNÍKY ĽADU MUSIA BYŤ NAINŠTALOVANÉ LEN VÝROBCOM ALEBO JEHO SERVISNÝM STREDISKOM.

- PRE VYBRANÉ MODELY S VÝROBNÍKOM ĽADU S PRIPOJENÍM K VODE PLATÍ: **UPOZORNENIE:** PRIPÁJA SA LEN K PRÍVODU PITNEJ VODY.
- **UPOZORNENIE:** SPOTREBIČ MUSÍ BYŤ PRIPOJENÝ PODĽA NÁVODU, ABY SA ZABRÁNILO NEBEZPEČENSTVU SPÔSOBENÉMU JEHO NESTABILITOU.
- **UPOZORNENIE:** CHLADIACI SYSTÉM OBSAHUJE CHLADIVO POD VYSOKÝM TLAKOM. NEMANIPULUJTE SO SYSTÉMOM. MUSÍ BYŤ OPRAVOVANÝ LEN KVALIFIKOVANOU OSOBOU.



VAROVANIE:

NEBEZPEČENSTVO POŽIARU/HORĽAVÉ MATERIÁLY!

OBSAHUJE CHLADIACI PLYN IZOBUTÁN

R600a

CHLADIVO

CHLADIACI IZOBUTÁN (R600a), KTORÝ JE OBSIAHNUTÝ V CHLADIACOM OKRUHU SPOTREBIČA, JE PRÍRODNÝ PLYN S VYSOKOU KOMPATIBILITOU SO ŽIVOTNÝM PROSTREDÍM, KTORÝ JE PREDSA LEN HORĽAVÝ. POČAS PREPRÁVY A INŠTALÁCIE SPOTREBIČA ZABRÁŇTE POŠKODENIU KOMPONENTOV CHLADIACEHO OKRUHU. CHLADIVO (R600a) JE HORĽAVÉ.

• **VAROVANIE** — CHLADNIČKY V IZOLÁCII OBSAHUJÚ CHLADIVO A CHLADIACE PLYNY. CHLADIVO A CHLADIACE PLYNY MUSIA BYŤ LIKVIDOVANÉ ODBORNE, PRETOŽE MÔŽU SPÔSOBIŤ PORANENIE OČÍ ALEBO VZNIETENIE. PRED VYKONANÍM SPRÁVNEJ LIKVIDÁCIE SA UISTITE, ČI NIE JE POTRUBIE CHLADIACEHO OKRUHU POŠKODENÉ.



SYMBOL  VAROVANIE A ZNAMENÁ TO, ŽE CHLADIVO A CHLADIACE PLYNY SÚ HORĽAVÉ.

VAROVANIE: RIZIKO POŽIARU HORĽAVÝCH MATERIÁLOV

AK BY DOŠLO K POŠKODENIU CHLADIACEHO OKRUHU:

- VYHNITE SA OTVORENÉMU OHŇU A ZDROJOM VZNIETENIA.
- DÔKLADNE VYVETRAJTE MIESTNOSŤ, V KTOREJ SA SPOTREBIČ NACHÁDZA.

JE NEBEZPEČNÉ MENIŤ ALEBO UPRAVOVAŤ SPOTREBIČ AKÝMKOĽVEK SPÔSOBOM.

AKÉKOĽVEK POŠKODENIE NAPÁJACIEHO KÁBLA MÔŽE VIESŤ K SKRATU, POŽIARU A/ALEBO ZASIAHNUTIU ELEKTRICKÝM PRÚDOM.

● **UPOZORNENIE:** CHLADIACI SYSTÉM OBSAHUJE CHLADIVO POD VYSOKÝM TLAKOM. NEMANIPULUJTE SO SYSTÉMOM. MUSÍ BYŤ OPRAVOVANÝ LEN KVALIFIKOVANOU OSOBOU.

● **UPOZORNENIE:** PRI UMIESTNENÍ SPOTREBIČA SA UISTITE, ČI NIE JE NAPÁJACÍ KÁBEL ZACHYTENÝ ALEBO POŠKODENÝ.

● **UPOZORNENIE:** NEUMIESTŇUJTE MNOHOPOČETNÉ PRENOSNÉ ZÁSUVKY ALEBO PRENOSNÉ ZDROJE NAPÁJANIA NA ZADNÚ STRANU SPOTREBIČA.



ELEKTRICKÁ BEZPEČNOSŤ

1. NAPÁJACÍ KÁBEL NESMIE BYŤ PREDLŽOVANÝ.
2. UISTITE SA, ČI NIE JE ZÁSTRČKA NAPÁJACIEHO KÁBLA POŠKODENÁ.
ROZDRVENÁ ALEBO POŠKODENÁ ZÁSTRČKA SA MÔŽE PREHRIEVAŤ A SPÔSOBIŤ POŽIAR.
3. UISTITE SA, ČI MÁTE VOĽNÝ PRÍSTUP K ZÁSTRČKE SPOTREBIČA.
4. NEŤAHAJTE ZA NAPÁJACÍ KÁBEL.

5. AK JE ELEKTRICKÁ ZÁSUVKA UVOĽNENÁ, NEPRIPÁJAJTE K NEJ ZÁSTRČKU. HROZÍ RIZIKO ZASIAHNUTIA ELEKTRICKÝM PRÚDOM ALEBO VZNIKU POŽIARU.
6. NESMIETE POUŽÍVAŤ TENTO SPOTREBIČ BEZ KRYTU VNÚTORNÉHO OSVETLENIA.
7. CHLADNIČKA JE URČENÁ LEN NA NAPÁJANIE Z JEDNEJ FÁZY STRIEDAVÉHO PRÚDU S HODNOTAMI 220-240~ V/50 HZ. AK JE KOLÍSANIE NAPÄTIA V MIESTE BYDLISKA POUŽÍVATEĽA TAK VEĽKÉ, ŽE PRESAHUJE VYŠŠIE UVEDENÉ LIMITY, Z BEZPEČNOSTNÝCH DÔVODOV POUŽITE PRE CHLADNIČKU AUTOMATICKÝ NAPÄŤOVÝ REGULÁTOR S VIAC AKO 350 W.

CHLADNIČKA MUSÍ BYŤ VYBAVENÁ ŠPECIÁLNOU NAPÁJACOU ZÁSTRČKOU NAMIESTO BEŽNEJ S INÝMI ELEKTRICKÝMI SPOTREBIČMI. ZÁSTRČKA MUSÍ ZODPOVEDAŤ ZÁSUVKE S UZEMŇOVACÍM KONTAKTOM.

BEŽNÉ POUŽITIE

- V SPOTREBIČI NESKLADUJTE HORĽAVÉ PLYNY ANI TEKUTINY. HROZÍ RIZIKO EXPLÓZIE.
- V SPOTREBIČI NEPOUŽÍVAJTE INÉ ELEKTRICKÉ SPOTREBIČE (NAPR. ELEKTRICKÝ VÝROBNÍK ZMRZLINY, MIXÉRY ATĎ.).
- PRI ODPÁJANÍ SPOTREBIČA Z ELEKTRICKEJ ZÁSUVKY, VŽDY ŤAHAJTE ZA ZÁSTRČKU. NEŤAHAJTE ZA KÁBEL.
- DO BLÍZKOSTI PLASTOVÝCH DIELOV TOHTO SPOTREBIČA NEDÁVAJTE HORÚCE PREDMETY.
- NEDÁVAJTE ŽIADNE PREDMETY DO BLÍZKOSTI VZDUCHOVÝCH OTVOROV V ZADNEJ STENE.
- BALENÉ MRAZENÉ POTRAVINY SKLADUJTE V SÚLADE S POKYNNI VÝROBCU MRAZENÝCH POTRAVIN.

- MALI BY STE STRIKTNE DODRŽIVAŤ ODPORÚČANIA TÝKAJÚCE SA SKLADOVANIA V SPOTREBIČI OD VÝROBCU. POZRITE SI PRÍSLUŠNÉ POKYNY O SKLADOVANÍ.
- DO MRAZIACEHO PRIESTORU NEDÁVAJTE SÝTENÉ ALEBO ŠUMIVÉ NÁPOJE, PRETOŽE VYTVÁRAJÚ TLAK NA NÁDOBU, KTORÁ MÔŽE EXPLODOVAŤ, ČO MÔŽE VIESŤ K POŠKODENIU SPOTREBIČA.
- NEKONZUMUJTE MRAZENÉ POKRMY IHNEĎ PO VYBRATÍ Z MRAZNIČKY, MÔŽETE SA PORANIŤ.
- NEUMIESTŇUJTE SPOTREBIČ NA PRIAME SLNEČNÉ SVETLO.
- MAJTE HORIACE SVIEČKY, LAMPY A INÉ PREDMETY S OTVORENÝM OHŇOM V DOSTATOČNEJ VZDIALENOSTI OD SPOTREBIČA, ABY STE ZABRÁNILI RIZIKU POŽIARU.
- SPOTREBIČ JE URČENÝ NA USKLADNENIE POKRMOV A/ ALEBO NÁPOJOV V BEŽNEJ DOMÁCNOSTI PODĽA POPISU V NÁVODE. SPOTREBIČ JE ŤAŽKÝ. ZVÝŠTE POZORNOSŤ PRI JEHO PREMIESTŇOVANÍ.
- NEVYBERAJTE ANI SA NEDOTÝKAJTE POLOŽIEK V PRIESTORE MRAZENIA, AK MÁTE VLHKÉ/MOKRÉ RUKY, PRETOŽE TO MÔŽE VIESŤ K PORANENIAM POKOŽKY ALEBO POPÁLENINÁM Z MRAZU.
- NIKDY NEPOUŽÍVAJTE DNO, ZÁSUVKY, DVIERKA A POD. NA STÚPANIE ALEBO AKO PODPERU.
- MRAZENÉ POTRAVINY, NESMÚ BYŤ PO ROZMRAZENÍ OPĀTOVNE ZMRAZENÉ.
- NEKONZUMUJTE ĽADOVÉ NANUKY ALEBO KOCKY ĽADU IHNEĎ PO VYBRATÍ Z MRAZNIČKY, PRETOŽE BY STE SI TAK MOHLI PORANIŤ ÚSTA A PERY.
- ABY STE ZABRÁNILI PÁDU PREDMETOV A ZRANENIU ALEBO POŠKODENIU SPOTREBIČA, NEPREŤAŽUJTE PRIEHRADKY DVIEROK ANI DO ZÁSUVIEK NEDÁVAJTE NADMERNÉ MNOŽSTVO POTRAVÍN.

INŠTALÁCIA

DÔLEŽITÉ!

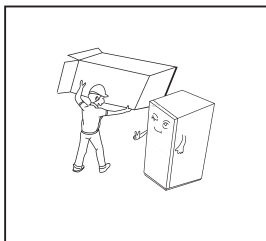
- PRI PRIPOJENÍ K ELEKTRICKEJ SIETI BUĎTE OPATRNÍ, DODRŽIAVAJTE POKYNY V TOMTO NÁVODE. SPOTREBIČ VYBALĤTE A SKONTROLUJTE HO Z HĽADISKA VIDITEĽNÝCH POŠKODENÍ.
- AK JE SPOTREBIČ POŠKODENÝ, NEPRIPÁJAJTE HO. OZNÁMTE PRÍPADNÉ POŠKODENIE V MIESTE ZAKÚPENIA. V TOMTO PRÍPADE SI NECHAJTE OBALOVÝ MATERIÁL.
- ODPORÚČA SA POČKAŤ NIEKOĽKO HODÍN, PRED PRIPOJENÍM SPOTREBIČA, ABY SA OLEJ V KOMPRESORE USTÁLIL.
- OKOLO SPOTREBIČA ZAISTITE DOSTATOČNÉ VETRANIE, V OPAČNOM PRÍPADE MÔŽE DOCHÁDZAŤ K PREHRIEVANIU. NA DOSIAHNUTIE DOSTATOČNÉHO VETRANIA DODRŽIAVAJTE POKYNY NA INŠTALÁCIU.
- AK JE TO MOŽNÉ, ZADNÁ STENA SPOTREBIČA BY NEMALA BYŤ VEĽMI BLÍZKO STENY A NEMAL BY SA DOTÝKAŤ HORÚCICH ČASŤÍ (KOMPRESOR, KONDENZÁTOR), ABY SA ZABRÁNILO RIZIKU POŽIARU, DODRŽIAVAJTE PRÍSLUŠNÉ POKYNY NA INŠTALÁCIU.
- SPOTREBIČ NESMIE BYŤ UMIESTNENÝ V BLÍZKOSTI RADIÁTOROV ALEBO SPORÁKOV.
- PO INŠTALÁCII SPOTREBIČA SA UISTITE, ČI JE SIEŤOVÁ ZÁSTRČKA ĽAHKO PRÍSTUPNÁ.
- ODLOŽTE VŠETKY OBALY MIMO DOSAHU DETÍ, PRETOŽE HROZÍ RIZIKO UDUSENIA.

- VNÚTORNÝ PRIESTOR VAŠEJ CHLADNIČKY / MRAZNIČKY MÔŽE PRED PRVÝM POUŽITÍM ZAPÁCHAŤ. JE TO NORMÁLNY JAV. ZÁPACH ZMIZNE, AKONÁHLE ZAČNE ZARIADENIE CHLADIŤ/ MRAZIŤ.
- PRED PRIPOJENÍM CHLADNIČKY / MRAZNIČKY SA UISTITE, ŽE NAPÄTIE V ELEKTRICKEJ SIETI ZODPOVEDÁ POŽIADAVKÁM NA PRIPOJENIE CHLADNIČKY / MRAZNIČKY. V PRÍPADE POCHYBNOSTÍ SA OBRÁŤTE NA KVALIFIKOVANÉHO ELEKTRIKÁRA.
- SPOTREBIČ MUSÍ BYŤ PRIPOJENÝ DO ZÁSUVKY S ODPOVEDAJÚCIM NAPÄTÍM A SPRÁVNE NAINŠTALOVANOU POISTKOVOU ZÁSUVKOU.
- CHLADNIČKA / MRAZNIČKA NESMIE BYŤ UMIESTNENÁ VONKU ALEBO VYSTAVENÁ DAŽĎU.
- CHLADNIČKA / MRAZNIČKA MUSÍ BYŤ UMIESTNENÁ NAJMENEJ 50 CM OD VYKUROVACÍCH TELIES, KÚRENIA RÚR, PLYNOVÝCH RÚR ATĎ.
- AK JE CHLADNIČKA S MRAZNIČKOU UMIESTNENÁ VEDĽA MRAZNIČKY, MUSÍ MEDZI NIMI BYŤ MIN. 2 CM ROZOSTÚP.
- NA CHLADNIČKU / MRAZNIČKU NEKLAĎTE ŤAŽKÉ VECI, NEZAKRÝVAJTE JU.
- NAD CHLADNIČKOU / MRAZNIČKOU MUSÍ BYŤ MIN. 150 MM VOĽNÝ PRIESTOR.
- NAINŠTALUJTE DVE PLASTOVÉ VODÍTKA NA KONDENZÁTOR CHLADNIČKY / MRAZNIČKY, KTORÉ ZABRAŇUJÚ DOTYKU MÚRU A KONDENZÁTORA.
- TENTO SPOTREBIČ JE VYROBENÝ NA POUŽITIE V DOMÁCNOSTIACH A JE VHODNÝ IBA PRE CHLADENIE/ MRAZENIE POTRAVÍN. NIE JE VHODNÝ PRE KOMERČNÉ POUŽITIE ALEBO NA USKLADNENIE LÁTOK S VÝNIMKOU POTRAVÍN. VÝROBCA NENESIE ZODPOVEDNOSŤ ZA ŽIADNE STRATY, SPÔSOBENÉ NEVHODNÝM POUŽITÍM SPOTREBIČA.

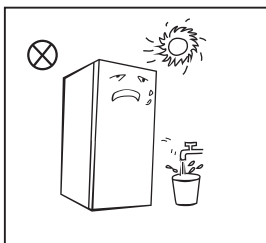
ČASŤ 2: SPRÁVNE POUŽITIE SPOTREBIČA

Umiestnenie

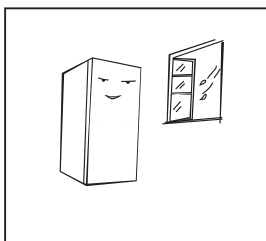
- Pred použitím odstráňte všetky obalové materiály, vrátane spodných vankúšikov, penových podložiek a pásov vo vnútri spotrebiča; odtrhnite ochrannú fóliu na dverkách a tele spotrebiča.



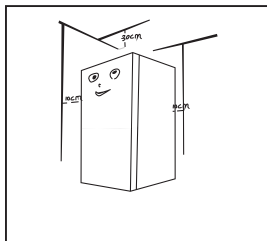
- Uchovávajte mimo dosahu tepla a vyhýbajte sa priamemu slnečnému žiareniu. Neumiestňujte mrazničku na vlhké alebo vodné miesta, aby ste predišli hrdzaveniu alebo zníženiu izolačného účinku.
- Na spotrebič nestriekajte vodu ani ju neumývajte; neumiestňujte spotrebič na vlhké miesta, ktoré sa dajú ľahko poliať vodou, aby sa neovplyvnili elektrické izolačné vlastnosti spotrebiča.



- Spotrebič musí byť umiestnený na dobre vetranom mieste v interiéri; podlaha musí byť rovná a pevná (otáčaním doľava alebo doprava nastavte vyrovnávacie nožičky, ak je spotrebič nestabilný).



- Nad spotrebičom by mal byť priestor väčší ako 30 cm a spotrebič by mala byť umiestnená pri stene s voľnou vzdialenosťou viac ako 10 cm, aby sa uľahčil odvod tepla.



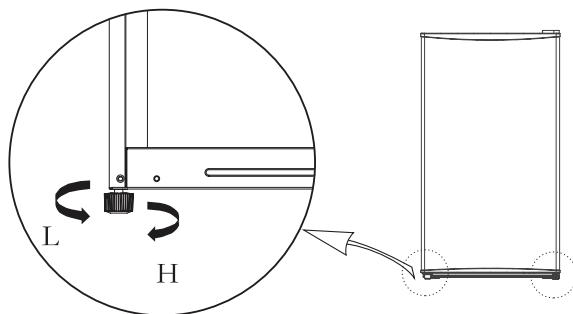
Preventívne opatrenia pred inštaláciou:

Informácie v návode na obsluhu sú len orientačné. Fyzický produkt sa môže líšiť. Pred inštaláciou a nastavením príslušenstva sa uistite, či je spotrebič odpojený od napájania.

Musia sa prijať preventívne opatrenia, aby sa zabránilo pádu rukoväti, ktorý by mohol spôsobiť zranenie osôb.

Vyrovnávací nožičky

Schematické vyobrazenie vyrovnávacích nožičiek







(Vyššie uvedený obrázok je len orientačný. Skutočná konfigurácia bude závisieť od fyzického produktu alebo vyhlásenia distribútora.)

Postupy úpravy:

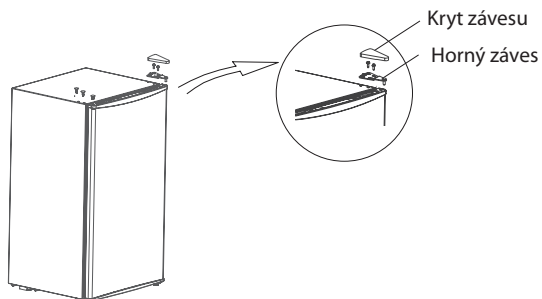
- Otočte nožičky v smere hodinových ručičiek, aby ste spotrebič zdvihli;
- Otočte nožičky proti smeru hodinových ručičiek, aby ste spotrebič znížili;
- Nastavte pravú a ľavú nožičku podľa vyššie uvedených postupov do vodorovnej úrovne.

Zmena smeru otvárania dverok

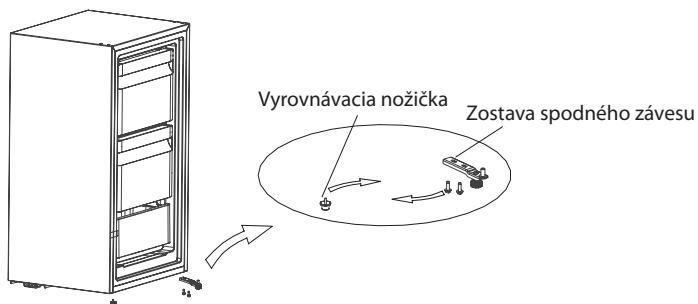
Zoznam nástrojov, ktoré má poskytnúť používateľ			
	Křížový skrutkovač		Špachtľa alebo skrutkovač s tenkou čepeľou
	5/16" Nástrčkový kľúč		Maskovacia páska

Diely, ktoré je potrebné použiť pri zmene smeru otvárania dverok			
Číslo	Názov	Počet	Poznámka
1	Horná záves	1	Vopred nainštalované v spotrebiči, stále sa používa pri zmene smeru otvárania
2	Kryt závesu	1	Vopred nainštalované v spotrebiči, stále sa používa pri zmene smeru otvárania
3	Závitová zaisťovacia skrutka	5	Vopred nainštalované v spotrebiči, stále sa používa pri zmene smeru otvárania
4	Kryt otvoru	1	Vopred nainštalované v spotrebiči, stále sa používa pri zmene smeru otvárania
5	Kolík	2	Vopred nainštalované v spotrebiči, stále sa používa pri zmene smeru otvárania
6	Zostava spodného závesu	1	Vopred nainštalované v spotrebiči, stále sa používa pri zmene smeru otvárania
7	Vyrovnávací nožička	1	Vopred nainštalované v spotrebiči, stále sa používa pri zmene smeru otvárania
8	Závitová skrutka	1	Vopred nainštalované v spotrebiči, stále sa používa pri zmene smeru otvárania

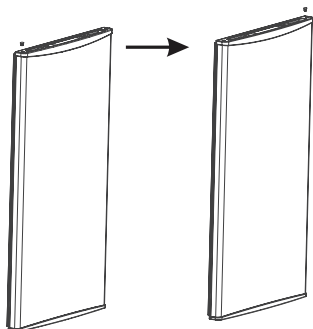
- 1) Vypnite spotrebič a vyberte všetky predmety z regálov na dverkách.
- 2) Demontujte kryt závesu, skrutky a horný záves a vyberte kryt otvoru a kolíky z druhej strany.



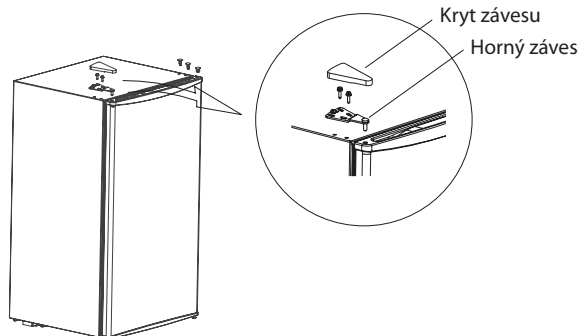
- 3) Najskôr zložte dvierka, potom demontujte zostavu spodného závesu a vyrovnávaciu nožičku, vymeňte pozície zostavy spodného závesu a vyrovnávacej nožičky a nainštalujte ich.



- 4) Demontujte uzáver otvoru pod dvierkami a potom nasadte uzáver otvoru na druhej strane.



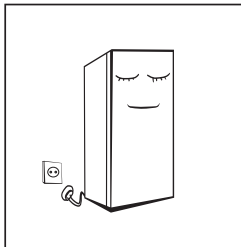
- 5) Nainštalujte dverka na zostavu spodného závesu a potom postupne nainštalujte horný záves, kryt závesu a kolíky a uzáver otvoru.



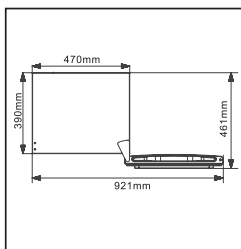
(Vyššie uvedený obrázok je len orientačný. Skutočná konfigurácia bude závisieť od fyzického produktu alebo vyhlásenia distribútora.)

Začatie používania

- Pred prvým spustením nechajte chladničku v pokoji v trvaní pol hodiny, kým ju pripojíte k zdroju napájania.
- Pred vložením akýchkoľvek čerstvých alebo mrazených potravín musí byť chladnička v prevádzke 2-3 hodiny alebo v lete viac ako 4 hodiny, keď je okolitá teplota vysoká.



- Zaisťte dostatok priestoru pre pohodlné otváranie dveriek a zásuviek alebo vyjadrenie distribútora.



Tipy na úsporu energie

- Spotřebič by mal byť umiestnený v najchladnejšej časti miestnosti, ďaleko od zariadení produkujúcich teplo alebo vykurovacích potrubí a mimo priameho slnečného žiarenia.
- Pred vložením do spotrebiča nechajte horúce potraviny vychladnúť na izbovú teplotu. Preťaženie spotrebiča núti kompresor pracovať dlhšie. Potraviny, ktoré sa zmrazujú veľmi pomaly, môžu stratiť kvalitu alebo sa pokaziť.
- Potraviny pred vložením do spotrebiča riadne zabalte a utrite dosucha. Tým sa zníži tvorba námrazy vo vnútri spotrebiča.
- Nádobu na uskladnenie spotrebiča by nemala byť vyložená hliníkovou fóliou, voskovým papierom alebo papierovou utierkou. Vložky narušajú cirkuláciu studeného vzduchu, čo znižuje účinnosť spotrebiča.
- Usporiadajte a označujte potraviny, aby ste znížili početnosť otvárania dvierok a zdĺhavé vyhľadávanie. Vyberte toľko vecí, koľko potrebujete naraz a čo najskôr zatvorte dvierka.

Tabuľka klimatických tried

Trieda	Symbol	Rozsah teplôt okolia v °C
Rozšírené mierne	SN	+ 10 až + 32
Mierne	N	+ 16 až + 32
Subtropické	ST	+ 16 až + 38
Tropické	T	+ 16 až + 43

Rozšírené mierne:

tento chladiaci spotrebič je určený na používanie pri teplote okolia v rozsahu od 10 °C do 32 °C;

Mierne:

tento chladiaci spotrebič je určený na používanie pri teplote okolia v rozsahu od 16 °C do 32 °C;

Subtropické:

tento chladiaci spotrebič je určený na používanie pri teplote okolia v rozsahu od 16 °C do 38 °C;

Tropické:

tento chladiaci spotrebič je určený na používanie pri teplote okolia v rozsahu od 16 °C do 43 °C;

Ak spotrebič pracuje mimo klimatickej triedy (rozsah teplôt okolia), pre ktorú je dimenzovaný, nemusí byť schopný udržiavať uspokojivé trvalé teploty.

Špeciálne pre nový európsky štandard

- Objednané diely v nasledujúcej tabuľke je možné získať z kanála:

Objednaný diel	Poskytuje	Minimálny čas potrebný na poskytnutie
termostaty	Profesionálny personál údržby.	Minimálne 7 rokov po uvedení posledného modelu na trh.
teplotné senzory	Profesionálny personál údržby.	Minimálne 7 rokov po uvedení posledného modelu na trh.
dosky plošných spojov	Profesionálny personál údržby.	Minimálne 7 rokov po uvedení posledného modelu na trh.
rukoväti dvierok	Profesionálni opravári a koncoví používatelia.	Minimálne 7 rokov po uvedení posledného modelu na trh.
závesy dvierok	Profesionálni opravári a koncoví používatelia.	Minimálne 7 rokov po uvedení posledného modelu na trh.
regály	Profesionálni opravári a koncoví používatelia.	Minimálne 7 rokov po uvedení posledného modelu na trh.
koše	Profesionálni opravári a koncoví používatelia.	Minimálne 7 rokov po uvedení posledného modelu na trh.
tesnenia dvierok	Profesionálni opravári a koncoví používatelia.	Minimálne 10 rokov po uvedení posledného modelu na trh.

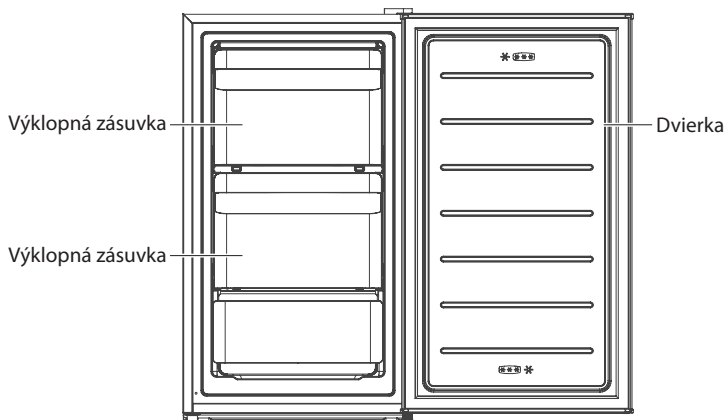
- Najkratšia lehota na poskytnutie popredajných náhradných dielov je 15 pracovných dní.
- Informácie o modeli a identifikáciu modelu v databáze produktov možno získať naskenovaním webového odkazu na QR kóde (ak existuje) na štítku energetickej účinnosti produktu.

Vážený zákazník

- Ak chcete produkt vrátiť alebo vymeniť, kontaktujte predajňu, kde ste ho kúpili.
(Nezabudnite si priniesť doklad o zakúpení.)
- Ak sa váš produkt pokazí a je potrebné ho opraviť, kontaktujte poskytovateľa popredajného servisu.
Telefón:
E-mailový adresa:

ČASŤ 3: POPIS SPOTREBIČA A JEHO FUNKCIE

Hlavné prvky spotrebiča



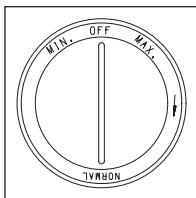
(Vyššie uvedený obrázok je len orientačný. Skutočná konfigurácia bude závisieť od fyzického produktu alebo vyhlásenia distribútora.)

Mraziaca priehradka

- Nízokoteplotná mraziaca priehradka môže udržať potraviny čerstvé po dlhý čas a používa sa hlavne na skladovanie mrazených potravín a výrobu ľadu. Vloženie potravín do spodnej zásuvky je energeticky najefektívnejšie.
- Mraziaca priehradka je vhodná na skladovanie mäsa, rýb, ryžových gulôčok a iných potravín, ktoré sa krátkodobo neskonzumujú.
- Veľké kusy mäsa by sa mali čo najviac rozdeliť na malé kúsky a potom vložiť, čo je vhodné na rýchle zmrazenie a ich vyberanie.

Poznámka: Skladovanie veľmi veľkého množstva potravín v priebehu prevádzky po prvom pripojení k napájaniu môže nepriaznivo ovplyvniť mraziaci účinok chladničky. Skladované potraviny nesmú blokovať výstup vzduchu; v opačnom prípade bude taktiež nepriaznivo ovplyvnený mraziaci účinok.

Otočný ovládač teploty



- Značky na otočnom ovládači označujú „MIN, NORMAL, MAX a OFF“ pre rôzne úrovne teploty.
„MIN.“ predstavuje najteplejšie nastavenie;
„MAX.“ predstavuje najchladnejšie nastavenie;
Pre bežné použitie nastavte otočný ovládač do polohy „NORMAL“.
Odporúčané nastavenie ovládača: „NORMAL“

ČASŤ 4: ÚDRŽBA A STAROSTLIVOSŤ O SPOTREBIČ

Čistenie

- Prach za chladničkou a na zemi je potrebné musí včas odstrániť, aby sa zlepšil chladiaci účinok a úspora energie.
- Pravidelne kontrolujte tesnenie dvierok, aby ste sa uistili, že v ňom nie sú žiadne nečistoty. Očistite tesnenie dvierok mäkkou handričkou navlhčenou v mydlovej vode alebo zriedenom saponáte.
- Vnútorný priestor spotrebiča by sa mal pravidelne čistiť, aby nevznikal zápach.
- Pred čistením vnútorného priestoru vypnite napájanie, vyberte všetky potraviny, nápoje, poličky, zásuvky atď.
- Na čistenie vnútorného priestoru spotrebiča použite mäkkú handričku alebo špongiu s dvoma polievkovými lyžicami jedlej sódy a litrom teplej vody. Potom opláchnite vodou a utrite dočista. Po vyčistení otvorte dvierka a pred zapnutím nechajte prirodzene vyschnúť.
- Miesta, ktoré sa v spotrebiči čistia komplikovane (ako sú úzke štrbiny, medzery alebo rohy), sa odporúča pravidelne utierať mäkkou utierkou, mäkkou kefou atď. a v prípade potreby v kombinácii s niektorými pomocnými nástrojmi (ako sú tenké tyčinky), aby sa v týchto oblastiach nehromadili žiadne nečistoty alebo baktérie.
- Nepoužívajte mydlo, saponát, čistiaci prášok, sprejový čistič atď., pretože môžu spôsobiť zápach vo vnútri chladničky alebo kontaminované potraviny.
- Držiak fľaše, poličky a zásuvky čistite mäkkou utierkou navlhčenou v mydlovej vode alebo zriedenom saponáte. Osušte mäkkou handričkou alebo nechajte vysušiť prirodzene.
- Vonkajší povrch spotrebiča utrite mäkkou handričkou navlhčenou v mydlovej vode, saponáte atď. a potom utrite dosucha.
- Nepoužívajte tvrdé kefy, čisté ocelové guľôčky, drôtené kefy, abrazívne prostriedky (ako sú zubné pasty), organické rozpúšťadlá (ako je alkohol, acetón, banánový olej atď.), vriacu vodu, kyslé alebo alkalicke predmety, ktoré môžu poškodiť povrch a vnútorný priestor spotrebiča. Vriaca voda a organické rozpúšťadlá, ako je benzén, môžu deformovať alebo poškodiť plastové časti.
- Počas čistenia neoplachujte priamo vodou ani inými tekutinami, aby ste predišli skratom alebo neovplyvnili elektrickú izoláciu po ponorení.



Za účelom odmravovania a čistenia odpojte spotrebič od elektrickej siete.

Odmrazovanie

- Vypnite napájanie spotrebiča.
- Vyberte potraviny zo spotrebiča a umiestnite ich správne, aby sa potraviny neroztopili.
- Vyčistite odtokové potrubie (ak chcete použiť mäkké materiály, aby ste zabránili poškodeniu vložky). Pripravte nádoby na vodu pre odmrázovanie. (Venujte pozornosť vyčisteniu misky na odtok vody z priestoru kompresora. Zabráňte vytekaniu vody na podlahu).
- Na prirodzené odmrázovanie môžete využiť prirodzenú teplotu, na odstránenie námrazy môžete použiť aj lopatku na ľad (použite plastovú alebo drevenú lopatku na ľad, aby sa predišlo poškodeniu vložky alebo potrubia)
- Na urýchlenie rozmrazovania môžete použiť aj primerané množstvo horúcej vody a pomocou suchého uteráku vodu po rozmrazení vysušte.
- Po odmrázení vložte potraviny späť do spotrebiča a spotrebič zapnite.

Prestanie používania spotrebiča

- Výpadok dodávky elektrickej energie: V prípade výpadku dodávky elektrickej energie, aj keď je to v lete, môžu potraviny v spotrebiči zostať niekoľko hodín; počas výpadku dodávky elektrickej energie je potrebné skrátiť časy otvárania dvierok a do spotrebiča sa už nesmú vkladať žiadne čerstvé potraviny.
- Dlhodobé nepoužívanie spotrebiča: Spotrebič je potrebné odpojiť od elektrickej siete a potom vyčistiť; potom je potrebné nechajú otvorené dvierka, aby sa zabránilo tvorbe zápachu.
- Premiestňovanie spotrebiča: Pred premiestnením spotrebiča vyberte všetky predmety vo zo spotrebiča, pripevnite sklenné poličky, držiak na zeleninu, zásuvky mraziacej priehradky atď. páskou a utiahnite vyrovnávacie nožičky; zatvorte dvierka a utesnite ich páskou. Počas premiestňovania nesmie byť spotrebič položený hore nohami alebo vodorovne a nesmie byť vystavený vibráciám; sklon v priebehu prepravy nesmie byť väčší ako 45°. Pri premiestňovaní spotrebiča ho nedržte za dvierka a závesy.

Po spustení musí spotrebič nepretržite bežať. Vo všeobecnosti by sa nemala prevádzka spotrebiča prerušiť; v opačnom prípade môže byť znížená životnosť.

ČASŤ 5: RIEŠENIE PROBLÉMOV

Môžete sa pokúsiť vyriešiť nasledujúce jednoduché problémy sami.
Ak ich nemožno vyriešiť, kontaktujte servisné stredisko.

Problém	Možná príčina a riešenie
Spotrebič nefunguje.	Skontrolujte, či je spotrebič pripojený k napájaniu alebo či je zástrčka v dobrom kontakte s elektrickou zásuvkou. Skontrolujte, či nie je napätie v elektrickej sieti veľmi nízke. Skontrolujte, či nedošlo k výpadku dodávky elektrickej energie alebo či nedošlo k vypnutiu čiastočných obvodov.
Zápach.	Potraviny so zápachom musia byť pevne zabalené. Skontrolujte, či nie je v spotrebiči nejaké pokazené jedlo. Vyčistite vnútorný priestor spotrebiča.
Dlhodobá prevádzka kompresora.	Dlhodobá prevádzka spotrebiča je normálna v lete, keď je okolitá teplota vysoká. Neodporúča sa mať v spotrebiči súčasne veľmi veľa potravín. Potraviny musia pred vložením do spotrebiča vychladnúť. Dvierka spotrebiča sú otvárané veľmi často.
Dvierka sa nedajú správne zatvoriť.	Dvierka sú prilepené obalom potravín. Do spotrebiča je vložených veľmi veľa potravín. Chladnička je naklonená.
Hlasný zvuk.	Skontrolujte, či je podlaha rovná a či je chladnička stabilne umiestnená. Skontrolujte, či je príslušenstvo spotrebiča umiestnené na správnych miestach.
Medzera v tesnení.	Odstráňte cudzie predmety z tesnenia dvierok. Zahrejte tesnenie dvierok a potom ho ochladte z dôvodu obnovy (alebo ho vyfúkajte elektrickým sušičom na vlasy alebo použite horúci uterák na ohrev).
Zásobník na vodu preteká.	Vo vnútornom priestore je veľmi veľa potravín alebo uložené potraviny obsahujú veľmi veľa vody, čo vedie k silnému odmrazovaniu. Dvierka nie sú správne zatvorené, čo má za následok námrazu v dôsledku vstupu vzduchu a zvýšenu hladinu vody v dôsledku odmrazovania.
Prehriatie bočných stien spotrebiča.	Odvod tepla vstavaného kondenzátora cez kryt spotrebiča, čo je normálne. Keď sa kryt spotrebiča zohreje v dôsledku vysokej okolitej teploty, skladovania veľmi veľkého množstva potravín alebo vypnutia kompresora, zaistite dostatočnú ventiláciu, aby sa ulahčilo odvádzanie tepla.
Kondenzácia vlhkosti na povrchu.	Kondenzácia vlhkosti na vonkajšom povrchu a tesnení dvierok spotrebiča je normálna, keď je okolitá vlhkosť veľmi vysoká. Kondenzát stačí utrieť čistou utierkou.
Neštandardné zvuky.	Bzučanie: Kompresor môže počas prevádzky vydávať bzučanie a bzučanie je hlasné najmä pri jeho spustení alebo zastavení. Toto je normálne. Vrčanie: Chladivo prúdiace vo vnútri spotrebiča môže spôsobovať vrčanie, čo je normálne.

Pokyny ku skladovaniu

Rešpektujte prosím nasledujúce pokyny , aby nedošlo ku kontaminácii potravín

- Dlhé otváranie dvierok môže spôsobiť výrazné zvýšenie teploty v oddieloch spotrebiča.
- Pravidelne čistite povrchy , ktoré môžu prísť do styku s potravinami a prístupnými drenážnymi systémami .
- Surové mäso a ryby umiestnite do vhodných nádob v chladničke, aby sa nedostali do kontaktu s inými potravinami ani na ne nekvapkala.
- **Dvojhviezdičkové priestory pre mrazené potraviny sú vhodné pre skladovanie vopred zmrazených potravín , skladovanie alebo výrobu zmrzlina a výrobu kociek ľadu.
- *Jedno -, dvoch** - a trojhviezdičkové ***priestory nie sú vhodné pre zmrazovanie čerstvých potravín.

Č.	TYP priestoru	Cieľová teplota skladovania [°C]	Vhodné potraviny
1	Chladnička	+2 ~ +8	Vajcia, varené pokrmy, balené potraviny, ovocie a zelenina, mliečne výrobky, koláče, nápoje a iné potraviny, ktoré nie sú vhodné na mrazenie.
2	(***)*- Mraznička	≤ -18	Morské plody (ryby, krevety, mäkkýše), čerstvé výrobky zo sladkovodných rýb a mäsové výrobky (odporúčaná doba sú 3 mesiace, čím je doba skladovania dlhšia, tým je horšia chuť a nutričné hodnoty), vhodné pre čerstvé zmrazené potraviny.
3	***- Mraznička	≤ -18	Morské plody (ryby, krevety, mäkkýše), čerstvé výrobky zo sladkovodných rýb a mäsové výrobky (odporúčaná doba sú 3 mesiace, čím je doba skladovania dlhšia, tým je horšia chuť a nutričné hodnoty), vhodné pre čerstvé zmrazené potraviny.
4	** - Mraznička	≤ -12	Morské plody (ryby, krevety, mäkkýše), čerstvé výrobky zo sladkovodných rýb a mäsové výrobky (odporúčaná doba sú 2 mesiace, čím je doba skladovania dlhšia, tým je horšia chuť a nutričné hodnoty), nie je vhodné pre čerstvé zmrazené potraviny.
5	*- Mraznička	≤ -6	Morské plody (ryby, krevety, mäkkýše), čerstvé výrobky zo sladkovodných rýb a mäsové výrobky (odporúčaná doba je 1 mesiac, čím je doba skladovania dlhšia, tým je horšia chuť a nutričné hodnoty), nie je vhodné pre čerstvé zmrazené potraviny.
6	0 - hviezdičiek	-6 ~ 0	Čerstvé bravčové mäso, hovädzie mäso, ryby, kuracie mäso, niektoré balené spracované potraviny atď. (Odporúča sa konzumovať v ten istý deň, pokiaľ možno neskladovať dlhšie ako 3 dni). Čiastočne zabalené spracované potraviny (nezamŕzajúce potraviny)

7	Chladenie	-2 ~ +3	Čerstvé/mrazené bravčové mäso, hovädzie mäso, kuracie mäso, čerstvé výrobky zo sladkovodných rýb, atď. (7 dní pri teplote pod 0 °C a pri teplote nad 0 °C sa odporúča konzumovať v ten istý deň, pokiaľ možno neskladovať dlhšie ako 2 dni). Morské plody (pri teplote pod 0 °C skladovať 15 dní, neodporúča sa skladovať pri teplote nad 0 °C).
8	Čerstvé potraviny	0 ~ +4	Čerstvé bravčové mäso, hovädzie mäso, ryby, kuracie mäso, varené potraviny, atď. (Odporúča sa konzumovať v ten istý deň, pokiaľ možno neskladovať dlhšie ako 3 dni).
9	Víno	+5 ~ +20	Červené víno, biele víno, šumivé víno atď.

Poznámka: Uchovávajte rôzne potraviny podľa priestorov alebo cieľovej teploty skladovania zakúpených výrobkov.

- Ak necháte chladiaci spotrebič dlhší čas prázdny, vypnite ho, odmrzte, vyčistite, vysušte a nechajte dvierka otvorené, aby ste tak zabránili tvorbe plesní v spotrebiči.

Rozmiestnenie potravín v spotrebiči

- Zemiaky, cibuľa a cesnak by nemali byť uchovávané v chladničke / mrazničke.
- Za normálnych okolností je dostatočné nastavenie teploty v chladničke na + 4 °C.
- Teplota chladničky by mala byť v rozsahu 0 °C až 8 °C. Čerstvé potraviny skladované pod 0 °C zamrznú, hnejú. Bakteriálna záťaž sa zvyšuje pri skladovaní nad 8 °C a potraviny sa kazia.
- Nedávajte do chladničky / mrazničky teplé alebo horúce jedlá, počkajte, až vychladnú na izbovú teplotu. Horúce jedlá zvyšujú teplotu vo vnútri chladničky/mrazničky a môžu byť príčinou zbytočného kazenia jedla a prípadnej otravy skazeným jedlom.
- Mäso, ryby atď. By mali byť skladované v chladiacej priehradke na to určenej - ak je k dispozícii.
- Ovocie a zelenina by mali byť skladované v chladiacej priehradke na to určenej - ak je k dispozícii.
- Aby ste zabránili kontaminácii mäsových výrobkov baktériami, ovocie a zeleninu neskladujte v spoločnej priehradke. To isté platí aj opačne - kontaminácia ovocia a zeleniny baktériami mäsových výrobkov.

ČASŤ 6: INFORMAČNÝ LIST

Informačný list

PHILCO 

DELEGOVANÉ NARIADENIE KOMISIE (EÚ) 2019/2016

Názov alebo ochranná známka výrobcu: PHILCO

Adresa výrobcu: FAST ČR, a.s., U Sanitatu 1621, Říčany 251 01, Czech Republic

Identifikačná značka modelu: PTF 60 EW

Typ chladiaceho zariadenia: Mraznička

Spotrebič s nízkym hlukom:	Nie	Typ spotrebiča:	voľne stojaci
Zariadenie na skladovanie vína:	Nie	Ostatné chladiace spotrebiče	Áno

Základné špecifikácie:

Parameter	Hodnota	Parameter	Hodnota
Rozmery v mm	Výška	Celkový objem (dm ³ alebo l)	60
	Šírka		
	Hĺbka		
Index energetickej účinnosti (EEI)	100	Trieda energetickej účinnosti*	E
Akustický zvuk emisie hluku (dB(A) re 1 pW)	41	Trieda akustických emisií hluku	C
Ročná spotreba energie (kWh/rok)	156	Klimatická trieda:	mierna, subtropická
Minimálna okolitá teplota (° C), pre ktorú je chladiace zariadenie vhodné	16	Maximálna okolitá teplota (° C), pre ktorú je chladiace zariadenie je vhodné	38
Nastavenie spotrebiča na zimu	Nie		

Špecifikácia priestoru

Typ priestoru	Parametre a hodnoty chladiaceho priestoru				
	Objem spotrebiča (dm ³ alebo l)	Odporúčené nastavenie teploty pre optimalizované skladovanie potravín (° C)	Mraziaca kapacita (kg/24h)	Typ odmrazovania: (auto-odmrazovanie = A manuálne odmrazovanie = M)	
Komora/špajza	Nie	-	-	-	
Skladovanie vína	Nie	-	-	-	
Pivničný priestor	Nie	-	-	-	

Čerstvé potraviny	Nie	-	-	-	-
Mraziaci priestor	Nie	-	-	-	-
0-hviezdičiek alebo výrobník ľadu	Nie	-	-	-	-
1-hviezdička	Nie	-	-	-	-
2-hviezdičky	Nie	-	-	-	-
3-hviezdičky	Nie	-	-	-	-
4-hviezdičky	Áno	60,0	- 18	6,0	M
2-hviezdičkový priestor	Nie	-	-	-	-
Zásuvka s meniacou sa teplotou	-	-	-	-	-
4-hviezdičkový priestor					
Funkcia rýchleho zmrazenia			Nie		
Parametre zdroja svetla:					
Typ svetelného zdroja			-		
Trieda energetickej účinnosti			-		
Minimálna doba trvania záruky ponúkanej výrobcom: 24 mesiacov					
Dodatočné informácie:					
Webový odkaz na web výrobcu, kde sú informácie uvedené v bode 4 (a) prílohy nariadenia Komisie (EÚ) 2019/2022 nájdené: www.philco.cz					

* A (najvyššia účinnosť) až G (najnižšia účinnosť)

TECHNICKÉ INFORMÁCIE

Technické informácie sa nachádzajú na typovom štítku na vnútornej strane spotrebiča a na energetickom štítku. QR kód, na dodanom energetickom štítku, obsahuje odkaz na registráciu spotrebiča v databáze EÚ Eprel.

INFORMÁCIE O TESTOVANÍ

Dodané zariadenie je v súlade s EcoDesign a EN62552. Požiadavky na prístup vzduchu pre správnu prevádzku prístroja, minimálna vzdialenosť od steny a rozmery prístroja, sú súčasťou tohto návodu. V prípade ďalších otázok sa obráťte na výrobcu.

STAROSTLIVOSŤ O ZÁKAZNÍKA A SERVIS

Vždy používajte iba originálne náhradné diely.

Označenie modelu a sériové číslo nájdete na typovom štítku. Polohu typového štítku je možné zmeniť bez predchádzajúceho upozornenia.

Originálne náhradné diely pre niektoré konkrétne komponenty sú k dispozícii minimálne 7 alebo 10 rokov. Závisí to od typu komponentu a od uvedenia posledného spotrebiča daného modelu na trh.

Pri kontaktovaní nášho autorizovaného servisu majte k dispozícii modelové označenie, sériové číslo a popis chyby.

Pre stiahnutie dokumentov navštívte www.philco.sk.

Pre nahlásenie poruchy a získanie ďalších servisných informácií navštívte www.philco.sk/servisne-miesta.

Zmeny vyhradené bez predchádzajúceho upozornenia.

POKYNY A INFORMÁCIE TÝKAJÚCE SA LIKVIDÁCIE POUŽITÝCH OBALOVÝCH MATERIÁLOV

Obalové materiály zlikvidujte na verejnom mieste pre likvidáciu odpadu.

LIKVIDÁCIA POUŽITÝCH ELEKTRICKÝCH A ELEKTRONICKÝCH SPOTREBIČOV



Význam symbolu na výrobku, jeho príslušenstve alebo obale znamená, že s týmto výrobkom nesmie byť zaobchádzané ako s komunálnym odpadom. Tento výrobok zlikviduje na príslušnom zbernom mieste pre recykláciu odpadu z elektrických a elektronických zariadení. Popríklad je možné v niektorých štátoch Európskej únie alebo iných európskych štátoch vrátiť svoje výrobky miestnemu predajcovi, v prípade kúpy podobného nového výrobku. Správna likvidácia tohto výrobku pomôže ušetriť cenné prírodné zdroje a pomôcť pri prevencii prípadného negatívneho vplyvu na životné prostredie a ľudské zdravie, ku ktorému by mohlo dôjsť v dôsledku nesprávnej likvidácie odpadu. Podrobnejšie informácie získate od miestneho úradu alebo v najbližšom stredisku pre zber odpadu. Nesprávna likvidácia tohto typu odpadu môže podliehať vnútroštátnym predpisom o pokutách.

Pre podnikateľské subjekty v Európskej únii

Ak chcete zlikvidovať elektrické alebo elektronické zariadenie, vyžiadať si potrebné informácie od svojho predajcu alebo dodávateľa.

Likvidácia v iných štátoch mimo Európskej únie

Ak chcete zlikvidovať tento výrobok, vyžiadať si nevyhnutné informácie o správnom spôsobe likvidácie od miestnych úradov alebo svojho predajcu.



Tento výrobok spĺňa všetky základné požiadavky nariadenia EÚ, ktoré sa naň vzťahujú.

Zmeny v texte, dizajne a technických údajoch sa môžu vyskytnúť bez predchádzajúceho upozornenia a vyhradujeme si právo vykonať tieto zmeny.

Originál tohto návodu na obsluhu je v českom jazyku.



VAROVANIE! POČAS POUŽÍVANIA, SERVISU A LIKVIDÁCIA VENUJTE POZORNOSŤ SYMBOLU PODOBNÉMU NA ĽAVEJ STRANE, KTORÝ JE UMIESTNENÝ NA ZADNEJ STRANE SPOTREBIČA (ZADNÝ PANEL ALEBO KOMPRESOR) A SO ŽLTOU ALEBO ORANŽOVOU FARBOU.



JE TO RIZIKO POŽIARNEHO VAROVNÉHO SYMBOLU. SÚ TU HORĽAVÉ MATERIÁLY POTRUBIA A KOMPRESOR. BUĎTE ĎALEKO OD ZDROJA OHŇA POČAS POUŽÍVANIA, OBSLUHY SPOTREBIČA A LIKVIDÁCIE.

ZAMRAŻARKA

INSTRUKCJA OBSŁUGI

PHILCO



Famous for Quality the World Over

PTF 60 EW

Szanowny kliencie,

Dziękujemy za zakup produktu marki PHILCO. Aby twoje urządzenie dobrze Ci służyło, przeczytaj wszystkie wskazówki zamieszczone w niniejszej instrukcji obsługi.

SPIS TREŚCI

CZĘŚĆ 1: INSTRUKCJE BEZPIECZEŃSTWA	3
CZĘŚĆ 2: PRAWIDŁOWE UŻYTKOWANIE URZĄDZENIA	12
LOKALIZACJA.....	12
NÓŻKI POZIOMUJĄCE.....	13
ZMIANA KIERUNKU OTWIERANIA DRZWI.....	14
ZACZĘCIE UŻYTKOWANIA.....	16
WSKAZÓWKI DOTYCZĄCE OSZCZĘDZANIA ENERGII.....	17
TABELA KLAS KLIMATYCZNYCH.....	17
SPECJALNIE DLA NOWEJ NORMY EUROPEJSKIEJ.....	18
CZĘŚĆ 3: OPIS URZĄDZENIA I JEGO FUNKCJI	19
GŁÓWNE ELEMENTY URZĄDZENIA.....	19
KOMORA ZAMRAŻARKI.....	19
OBROTOWE POKRĘTŁO REGULACJI TEMPERATURY.....	20
CZĘŚĆ 4: KONSERWACJA I PIELĘGNACJA URZĄDZENIA	21
CZYSZCZENIE.....	21
ODSZRANIANE.....	22
ZAPRZESTANIE UŻYWANIA URZĄDZENIA.....	22
CZĘŚĆ 5: ROZWIĄZYWANIE PROBLEMÓW	23
WSKAZÓWKI DOTYCZĄCE PRZECHOWYWANIA.....	24
UMIEJSCOWIENIE ŻYWNOŚCI W URZĄDZENIU.....	25
CZĘŚĆ 6: ARKUSZ INFORMACYJNY	26
INFORMACJE TECHNICZNE.....	28
INFORMACJE O TESTACH.....	28
OBSŁUGA I OBSŁUGA KLIENTA.....	28
WSKAZÓWKI O INFORMACJE DOTYCZĄCE LIKWIDACJI ZUŻYTYCH OPAKOWAŃ.....	29
LIKWIDACJA ZUŻYTYCH URZĄDZEŃ ELEKTRYCZNYCH I ELEKTRONICZNYCH.....	29



Urządzenie zostało przetestowane zgodnie z rozporządzeniami Unii Europejskiej. Urządzenie odpowiada zasadom bezpieczeństwa obowiązującym dla urządzeń elektrycznych w Unii Europejskiej.

Szanowny kliencie:

Dziękujemy Ci za zakup naszej lodówki. Aby osiągnąć jak najlepsze efekty podczas używania tego urządzenia, przeczytaj tę instrukcję obsługi.

Upewnij się, że materiały opakowania zostały zlikwidowane zgodnie z aktualnymi wymaganiami związanymi z ochroną środowiska.

Podczas likwidacji każdego urządzenia chłodzącego skontaktuj się a lokalnym urzędem do spraw likwidacji odpadów, gdzie uzyskasz informacje dotyczące bezpiecznej likwidacji.

Urządzenia można używać jedynie zgodnie z celem przeznaczenia.

UWAGA:

Urządzenia nie mogą używać małe dzieci lub osoby starsze bez nadzoru. Pilnuj małych dzieci, by nie bawiły się urządzeniem.

CZĘŚĆ 1: INSTRUKCJE BEZPIECZEŃSTWA



W CELU BEZPIECZEŃSTWA I PRAWIDŁOWEGO STOSOWANIA PRZED INSTALACJĄ I PIERWSZYM UŻYCIEM URZĄDZENIA PROSIMY UWAŻNIE PRZECZYTAĆ NINIEJSZĄ INSTRUKCJĘ, W TYM WSKAZÓWKI I OSTRZEŻENIA. ABY ZAPOBIEGAĆ NIEPOŻĄDANYM BŁĘDOM I WYPADKOM, WAŻNE JEST ZAPEWNIENIE, ŻE WSZYSTKIE OSOBY KORZYSTAJĄCE Z URZĄDZENIA ZOSTAŁY POINFORMOWANE O FUNKCJONOWANIU I BEZPIECZEŃSTWIE.

ZACHOWAJ INSTRUKCJĘ W PRZYPADKU SPRZEDAŻY URZĄDZENIA I UPEWNIJ SIĘ, ŻE NINIEJSZA INSTRUKCJA POZOSTAJE W URZĄDZENIU, ABY MOŻNA BYŁO Z NIEGO KORZYSTAĆ PRZEZ CAŁY OKRES UŻYTKOWANIA. ZE WZGLĘDÓW BEZPIECZEŃSTWA I W CELU OCHRONY MIENIA NALEŻY POSTĘPOWAĆ ZGODNIE Z INSTRUKCJAMI W TEJ INSTRUKCJI OBSŁUGI, PONIEWAŻ PRODUCENT NIE PONOSI ODPOWIEDZIALNOŚCI ZA SZKODY PRZYCZYNIONE NIEPRZESTRZEGANIEM TEJ INSTRUKCJI.

- TO URZĄDZENIE MOGĄ UŻYWAĆ DZIECI DO 8 LAT I OSOBY ZE ZMNIJSZONYMI FIZYCZNYMI, SENSORYCZNYMI I UMYSŁOWYMI UMIEJĘTNOŚCIAMI, ALBO BEZ DOSTATECZNYCH UMIEJĘTNOŚCI, KIEDY SĄ ONE POD DOZOREM ALBO BYŁY NAUCZONE JAK POPRAWNIE I BEZPIECZNIE UŻYWAĆ URZĄDZENIE I ZROZUMIELI MOŻLIWE RYZYKA.
- DZIECI W WIEKU OD 3 DO 8 LAT MOGĄ WKŁADAĆ I WYJMOWAĆ ŻYWNOŚĆ Z URZĄDZEŃ CHŁODNICZYCH.
- DZIECI NIE MOGĄ SIĘ BAWIĆ Z URZĄDZENIEM.
- CZYSZCZENIE I KONSERWACJĘ NIE MOGĄ DZIECI WYKONYWAĆ BEZ NADZORU.

- JEŚLI PRZEWÓD ZASILAJĄCY JEST USZKODZONY, NALEŻY WYMIENIĆ GO PRZEZ PROFESJONALNE CENTRUM USŁUG, ABT ZAPOBIEGAĆ SYTUACJAM AWARYJNYM. URZĄDZENIE Z USZKODZONYM KABELEM ELEKTRYCZNYM JEST ZABRONIONE UŻYWAĆ.

- **UWAGA:** JEŚLI TWÓJ MODEL NIE MA PRODUCENTA LODU PODŁĄCZONEGO DO ZASILANIA WODĄ, NAPEŁNIJ GO TYLKO WODĄ PITNĄ.

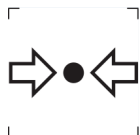
- **OSTRZEŻENIE:** OTWORY WENTYLACYJNE W POKRYWIE URZĄDZENIA LUB W OBUDOWIE URZĄDZENIA MUSZĄ BYĆ DOSTĘPNE I BEZ PRZESZKODY.

- **OSTRZEŻENIE:** ABY PRZYSPIESZYĆ PROCES ROZMRAŻANIA NIE UŻYWAJ SPRZĘTU MECHANICZNEGO LUB INNYCH ŚRODKÓW NIŻ TE CO SĄ ZALECANE PRZEZ PRODUCENTA.

- **OSTRZEŻENIE:** NIE USZKADZAJ OBIEGU CHŁODZENIA.

- **OSTRZEŻENIE:** WEWNĄTRZ MIEJSCA PRZECHOWYWANIA NIE UŻYWAJ URZĄDZEŃ ELEKTRYCZNYCH, JEŻELI TYP NIE JEST ZALECANY PRZEZ PRODUCENTA.

- **OSTRZEŻENIE:** WEWNĄTRZ MIEJSCA PRZECHOWYWANIA NIE UŻYWAJ URZĄDZEŃ ELEKTRYCZNYCH, JEŻELI TYP NIE JEST ZALECANY PRZEZ PRODUCENTA.



ZNAK ISO 7000-1701 (2004-01)
OZNACZA MEDIUM POD CIŚNIENIEM.

TO URZĄDZENIE JEST PRZEZNACZONE DO UŻYTKU W GOSPODARSTWIE DOMOWYM I DO PODOBNYCH CELÓW, TAKICH JAK:

- KUCHNIE DLA PERSONELU W SKLEPACH, BIURA I INNE ŚRODOWISKA PRACY;
- NA GOSPODARSTWACH I DLA KLIENTÓW HOTELI, MOTELI I INNYCH TYPÓW MIESZKANIOWYCH;
- ŚRODOWISKA ZAKWATEROWANIA Z ŚNIADANIEM;
- CATERING I PODOBNE ZASTOSOWANIA DETALICZNE.

TYLKO NIEKTÓRE MODELE LODÓWEK ZAWIERAJĄ KOSTKARKĘ DO LODU. WBUDOWANY PRODUCENT LODÓW MUSI BYĆ ZAINSTALOWANY WYŁĄCZNIE PRZEZ PRODUCENTA LUB JEGO SERWIS.

- DO WYBRANYCH MODELI Z PRODUCENTEM LODU Z PODŁĄCZENIEM WODY: **UWAGA:** MUSI BYĆ PODŁĄCZONY TYLKO DO DOSTAWY WODY PITNEJ.
- **UWAGA:** URZĄDZENIE MUSI BYĆ PODŁĄCZONE WEDŁUG INSTRUKCJI OBSŁUGI, ABY UNIKNĄĆ NIEBEZPIECZEŃSTWA WYNIKAJĄCEGO Z JEGO INSTALACJI.
- **UWAGA:** URZĄDZENIE MUSI BYĆ PODŁĄCZONE WEDŁUG INSTRUKCJI OBSŁUGI, ABY UNIKNĄĆ NIEBEZPIECZEŃSTWA WYNIKAJĄCEGO Z JEGO INSTALACJI.



OSTRZEŻENIE:
NIEBEZPIECZEŃSTWO POŻARU / MATERIAŁY
ŁATWOPALNE!

ZAWIERA GAZ CHŁODNICZY ISOBUTAN

R600a

CHŁODZIWO

CHŁODZONY ISOBUTAN (R600a) ZAWARTY W OBIEGU CHŁODZENIA URZĄDZENIA JEST NATURALNYM GAZEM Z WYSOKĄ KOMPATYBILNOŚCIĄ ZE ŚRODOWISKIEM, KTÓRY JEST ŁATWOPALNY. PODCZAS TRANSPORTU I INSTALACJI NALEŻY UWAŻAĆ NA USZKODZENIE KOMPONENTÓW OBWODU CHŁODZENIA. CHŁODZIWO (R600a) JEST ŁATWOPALNE.

• **OSTRZEŻENIE** — LODÓWKI W IZOLACJI ZAWIERAJĄ GAZY CHŁODNICZE I CHŁODZĄCE. CHŁODNICE I GAZY CHŁODZĄCE MUSZĄ BYĆ USUWANE PROFESJONALNIE, MOGĄ SPOWODOWAĆ OBRAŻENIE OCZU. PRZED WYKONANIEM POPRAWNEGO USUNIĘCIA UPEWNIJ SIĘ, ŻE RURKA OBIEGU CHŁODZENIA NIE JEST USZKODZONA.



SYMBOL  OSTRZEŻENIE I ZNACZY TO, ŻE CHŁODZENIE I GAZY CHŁODNICZE SĄ ŁATWOPALNE.

OSTRZEŻENIE: RYZYKO POŻARU MATERIAŁÓW ŁATWOPALNYCH

JEŚLI OBWÓD CHŁODZENIA SIĘ USZKODZI:

- UNIKNIJ OTWARTEGO POŻARU I ZAPŁONU.
- DOKŁADNIE WENTYLUJ POKÓJ, W KTÓRYM SIĘ URZĄDZENIE ZNAJDUJE.

JEST NIEBEZPIECZNA ZMIANA LUB MODYFIKACJA URZĄDZENIA W DOWOLNY SPOSÓB. JAKIEKOLWIEK USZKODZENIE PRZEWODU ZASILAJĄCEGO MOŻE SPOWODOWAĆ KRÓTKI OBWÓD, POŻAR I / LUB PORAŻENIE PRĄDEM ELEKTRYCZNYM.

● **UWAGA:** UKŁAD CHŁODZENIA ZAWIERA CHŁODNICTWO POD WYSOKIM CIŚNIENIEM. NIE OBSŁUGUJ SYSTEMU. NALEŻY GO NAPRAWIĆ TYLKO I WYŁĄCZNIE PRZEZ WYKWALIFIKOWANĄ OSOBĘ.

● **UWAGA:** PRZY USTAWIENIU URZĄDZENIA, UPEWNIJ SIĘ, ŻE KABEL ELEKTRYCZNY NIE JEST ZATKNIĘTY LUB USZKODZONY.

● **UWAGA:** NIE DAWAJ WIELU PRZENOŚNYCH GNIAZD ELEKTRYCZNYCH ANI PRZENOŚNYCH ŹRÓDEŁ ZASILANIA NA TYLNA STRONĘ URZĄDZENIA.



ELEKTRYCZNE BEZPIECZEŃSTWO

1. KABEL ZASILAJĄCY NIE MOŻE BYĆ PRZEDŁUŻANY.
2. UPEWNIJ SIĘ, ŻE PRZEWÓD MOCY NIE JEST USZKODZONY. ZGNIĘCIONA LUB USZKODZONA WTYCZKA MOŻE SIĘ PRZEGRZEWAĆ I SPOWODOWAĆ POŻAR.
3. UPEWNIJ SIĘ, ŻE MASZ WOLNY DOSTĘP DO GNIAZDKA URZĄDZENIA.
4. NIE CIĄGNIJ ZA KABEL ZASILAJĄCY.

5. NIE NALEŻY PODŁĄCZAĆ WTYCZKI KIEDY JEST POLUZOWANE GNIAZDKO ELEKTRYCZNE. GROZI RYZYKO PORAŻENIA PRĄDEM LUB POŻARU.
6. NIE UŻYWAJ TEGO URZĄDZENIA BEZ POKRYCIA OŚWIETLENIA WEWNĘTRZNEGO.
7. LODÓWKA JEST PRZEZNACZONA TYLKO DO ZASILANIA Z JEDNEJ FAZY ZASILANIA O WARTOŚCIACH 220-240~ V/50 HZ. JEŚLI WAHANIA NAPIĘCIA W MIEJSCU ZAMIESZKANIA UŻYTKOWNIKA SĄ TAKIE WIELKIE, ŻE PRZEKRACZAJĄ POWYŻSZE GRANICE ZE WZGLĘDU NA BEZPIECZEŃSTWO UŻYJ AUTOMATYCZNEGO REGULATORA NAPIĘCIA O WIĘCEJ NIŻ 350 W DLA LODÓWKI.

LODÓWKA MUSI BYĆ WYPOSAŻONA W SPECJALNĄ WTYCZKĘ ZASILAJĄCĄ W MIEJSCU WSPÓLNYM Z INNYMI ELEKTRYCZNYMI URZĄDZENIAMI. WTYCZKA MUSI BYĆ PRAWIDŁOWA Z GNIAZDKIEM ELEKTRYCZNYM.

STOSOWANIE NORMALNE

- NIE NALEŻY PRZECHOWYWAĆ ŁATWOPALNYCH GAZÓW LUB CIECZY W URZĄDZENIU. GROZI RYZYKO WYBUCHU.
- NIE UŻYWAJ INNYCH URZĄDZEŃ ELEKTRYCZNYCH W URZĄDZENIU (NP. ELEKTRYCZNY PRODUCENT LODÓW, MIKSERY ITP.)
- PODCZAS ODŁĄCZANIA URZĄDZENIA Z GNIAZDKA ELEKTRYCZNEGO, ZAWSZE NALEŻY CIĄGNAĆ ZA WTYCZKĘ. NIE CIĄGNIJ ZA KABEL.
- NIE STAWIAJ GORĄCYCH ELEMENTÓW W POBLIŻU CZĘŚCI Z TWORZYWA SZTUCZNEGO URZĄDZENIA.
- NIE UMIESZCZAJ ŻADNYCH ARTYKUŁÓW W POBLIŻU TYLNYCH OTWORÓW NA ŚCIANIE.
- PAKOWANE MROŻONE ŻYWNOCI PRZECHOWYWUJ ZGODNIE Z INSTRUKCJAMI PRODUCENTA.

- MIAŁ BYŚ ŚCISŁO DOTRZYMAĆ ZALECENIA PRZECHOWYWANIA W URZĄDZENIU PRZEZ PRODUCENTA. ZOBACZ OBOWIĄZUJĄCE INSTRUKCJE DOTYCZĄCE PRZECHOWYWANIA.
- NIE WOLNO WSTAWIAĆ GAZOWANYCH NAPOJÓW W ZAMRAŻARCE DLATEGO BO MOGĄ STWORZYĆ CIŚNIENIE W POJEMNIKU KTÓRY MOŻE WYBUCHNĄĆ, CO MOŻE USZKODIĆ URZĄDZENIE.
- NIE JEDZ MROŻONEK NATYCHMIAST PO WYJĘCIU Z ZAMRAŻARKI, MOŻESZ DOZNAĆ OBRAŻEŃ.
- NIE WYSTAWIAJ URZĄDZENIA NA BEZPOŚREDNIE DZIAŁANIE PROMIENI SŁONECZNYCH.
- MIEJ PRZY SOBIE PŁONĄCE ŚWIECZKI, LAMPY I INNE PRZEDMIOTY Z OTWARTYM OGNIEM W WYSTARCZAJĄCEJ ODLEGŁOŚCI OD URZĄDZENIA, ABY UNIKNĄĆ RYZYKA POŻARU.
- URZĄDZENIE JEST PRZEZNACZONE DO PRZECHOWYWANIA ŻYWNOŚCI I NAPOJÓW W NORMALNYM GOSPODARSTWIE DOMOWYM, JAK OPISANO W INSTRUKCJI OBSŁUGI. URZĄDZENIE JEST CIĘŻKIE. ZACHOWAJ OSTROŻNOŚĆ PODCZAS PRZENOSZENIA.
- NIE WYJMUJ ANI NIE DOTYKAJ PRZEDMIOTÓW W KOMORZE ZAMRAŻARKI MOKRYMI / WILGOTNYMI RĘKAMI, PONIEWAŻ MOŻE TO SPOWODOWAĆ OBRAŻENIA SKÓRY LUB POPARZENIA MROZEM.
- NIGDY NIE UŻYWAJ DNA, SZUFLAD, DRZWI ITP. DO WSPINACZKI LUB JAKO WSPARCIE.
- MROŻONEJ ŻYWNOŚCI NIE WOLNO PONOWNIE ZAMRAŻAĆ PO ROZMROŻENIU.
- NIE SPOŻYWAJ LODÓW ANI KOSTEK LODU NATYCHMIAST PO WYJĘCIU Z ZAMRAŻARKI, PONIEWAŻ MOŻE TO ZRANIĆ USTA.
- ABY NIE DOPUŚCIĆ DO UPADKU PRZEDMIOTÓW, ZRANIENIA LUB USZKODZENIA URZĄDZENIA, NIE NALEŻY PRZECIĄŻAĆ KOMÓR, NIE WKŁADAJ NADMIERNYCH ILOŚCI JEDZENIA DO DRZWI LUB SZUFLADY.

INSTALACJA WAŻNE!

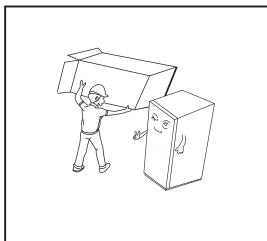
- PACHOWAJ OSTROŻNOŚĆ PODCZAS PODŁĄCZANIA DO SIECI, POSTĘPUJ ZGODNIE Z INSTRUKCJAMI W TEJ INSTRUKCJI OBSŁUGI. ROZPAKUJ URZĄDZENIE I SPRAWDŹ, CZY NIE MA WIDOCZNYCH USZKODZEŃ.
- JEŚLI URZĄDZENIE JEST USZKODZONE, NIE PODŁĄCZAJ GO. NOTYFIKUJ MOŻLIWE SZKODY W MIEJSCU ZAKUPU. W TAKIM PRZYPADKU ZACHOWAJ OPAKOWANIE.
- ZALECA SIĘ ODCZEKAĆ KILKA GODZIN PRZED PODŁĄCZENIEM URZĄDZENIA, ABY OLEJ USTABILIZOWAŁ SIĘ W SPRĘŻARCE.
- ZAPEWNIJ ODPOWIEDNIĄ WENTYLACJĘ WOKÓŁ URZĄDZENIA, W PRZECIWNYM RAZIE MOŻE WYSTĄPIĆ PRZEGRZANIE. PRZESTRZEGAJ ODPOWIEDNIEJ WENTYLACJI.
- JEŚLI TO MOŻLIWE, TYŁ URZĄDZENIA NIE POWINIEN BYĆ BARDZO BLISKO ŚCIANY I NIE NALEŻY DOTYKAĆ GORĄCYCH CZĘŚCI (SPRĘŻARKI, SKRAPLACZA), ABY UNIKNĄĆ RYZYKA POŻARU, POSTĘPUJ ZGODNIE Z ODPOWIEDNIMI INSTRUKCJAMI INSTALACJI.
- URZĄDZENIE NIE WOLNO UMIESZCZAĆ W POBLIŻU GRZEJNIKÓW LUB PIECÓW.
- PO INSTALACJI URZĄDZENIA UPEWNIJ SIĘ, ŻE WTYCZKA JEST ŁATWO DOSTĘPNA.
- WSZYSTKIE OPAKOWANIA NALEŻY PRZECHOWYWAĆ POZA ZASIĘGIEM DZIECI, PONIEWAŻ ISTNIEJE RYZYKO UDUSZENIA.

- WŁĘTRZE LODÓWKI / ZAMRAŻARKI MOŻE PACHNIEĆ PRZED PIERWSZYM UŻYCIEM. TO NORMALNE. ZAPACH ZNIKA, GDY TYLKO URZĄDZENIE ZACZNIE CHŁODZIĆ / ZAMRAŻAĆ
- PRZED PODŁĄCZENIEM LODÓWKI / ZAMRAŻARKI UPEWNIJ SIĘ, ŻE NAPIĘCIE SIECIOWE ODPOWIADA WYMAGANIOM DOTYCZĄCYM PODŁĄCZENIA LODÓWKI / ZAMRAŻARKI. W RAZIE WĄTPLIWOŚCI SKONSULTUJ SIĘ Z WYKWALIFIKOWANYM ELEKTRYKIEM
- URZĄDZENIE NALEŻY PODŁĄCZYĆ DO GNIAZDKA O ODPOWIEDNIM NAPIĘCIU I PRAWIDŁOWO ZAINSTALOWANEJ PODSTAWCE Z BEZPIECZNIKIEM
- CHŁODZIARKI / ZAMRAŻARKI NIE WOLNO UMIESZCZAĆ NA ZEWNĄTRZ ANI WYSTAWIAĆ NA DZIAŁANIE DESZCZU
- CHŁODZIARKO-ZAMRAŻARKA MUSI BYĆ UMIESZCZONA CO NAJMNIEJ 50 CM OD GRZEJNIKÓW, RUR GRZEWCZYCH, RUR GAZOWYCH ITP.
- JEŚLI LODÓWKA Z ZAMRAŻARKĄ ZNAJDUJE SIĘ OBOK ZAMRAŻARKI, MUSI MIN. ROZSTAW 2 CM
- NIE STAWIAJ CIĘŻKICH PRZEDMIOTÓW NA LODÓWCE / ZAMRAŻARCE, NIE PRZYKRYWAJ JEJ
- NAD LODÓWKĄ / ZAMRAŻARKĄ MUSI ZNAJDOWAĆ SIĘ MIN. 150 MM WOLNEJ PRZESTRZENI
- ZAINSTALOWAĆ DWIE PLASTIKOWE PROWADNICE NA SKRAPLACZU CHŁODZIARKO-ZAMRAŻARKI, KTÓRE ZAPOBIEGAJĄ DOTYKANIU ŚCIAN I SKRAPLACZA
- TO URZĄDZENIE JEST PRZEZNACZONE DO UŻYTKU DOMOWEGO I NADAJE SIĘ WYŁĄCZNIE DO CHŁODZENIA / ZAMRAŻANIA ŻYWNOŚCI. NIE NADAJE SIĘ DO UŻYTKU KOMERCYJNEGO I / LUB PRZECHOWYWANIA SUBSTANCJI INNYCH NIŻ ŻYWNOŚĆ. PRODUCENT NIE PONOSI ODPOWIEDZIALNOŚCI ZA JAKIEKOLWIEK STRATY SPOWODOWANE NIEWŁAŚCIWYM UŻYTKOWANIEM URZĄDZENIA.

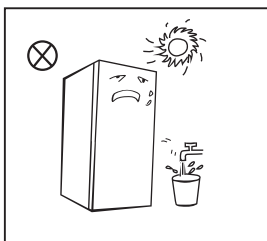
CZĘŚĆ 2: PRAWIDŁOWE UŻYTKOWANIE URZĄDZENIA

Lokalizacja

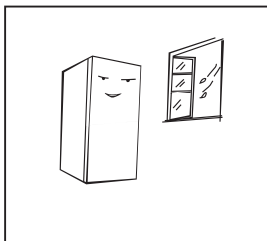
- Przed użyciem należy usunąć wszystkie materiały opakowaniowe, w tym podkładki dolne, podkładki piankowe i taśmy wewnątrz urządzenia; zerwać folię ochronną na drzwiach i korpusie urządzenia.



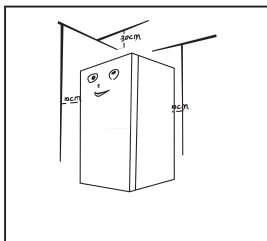
- Trzymać z dala od źródeł ciepła i unikać bezpośredniego działania promieni słonecznych. Nie należy umieszczać lodówki na wilgotnych lub nasiąkniętych wodą powierzchniach, aby zapobiec rdzewieniu lub zmniejszeniu efektu izolacyjnego.
- Nie rozpylaj wody na urządzenie ani nie myj go; nie umieszczaj urządzenia w wilgotnych miejscach, aby nie naruszać elektrycznych właściwości izolacyjnych urządzenia.



- Urządzenie musi być umieszczone w dobrze wentylowanym miejscu, w pomieszczeniach zamkniętych; podłoga musi być równa i twarda (obróć nóżki poziomujące w lewo lub w prawo, aby wypoziomować urządzenie, jeżeli jest ono niestabilne).



- Nad urządzeniem powinna być zachowana przestrzeń większa niż 30 cm, a urządzenie powinno być ustawione w odległości większej niż 10 cm od ściany, aby ułatwić odprowadzanie ciepła.

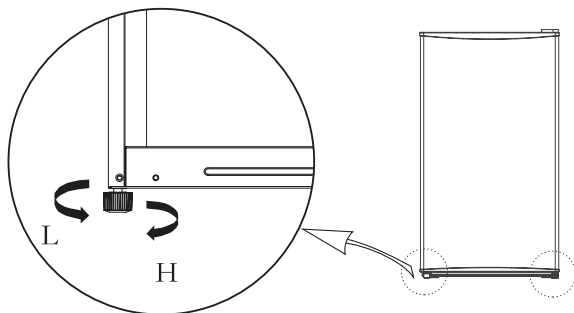


Środki ostrożności przed montażem:

Informacje zawarte w instrukcji obsługi są jedynie wskazówkami. Fizyczny produkt może się różnić. Przed przystąpieniem do montażu i regulacji akcesoriów upewnij się, że urządzenie jest odłączone od zasilania. Należy przedsięwziąć środki ostrożności, aby zapobiec wypadnięciu uchwytu, co może spowodować obrażenia ciała.

Nóżki poziomujące

Schematyczna ilustracja nóżek poziomujących.







(Powyższy obrazek ma charakter poglądowy. Rzeczywista konfiguracja będzie zależeć od produktu fizycznego lub oświadczenia dystrybutora.)

Procedury regulacyjne:

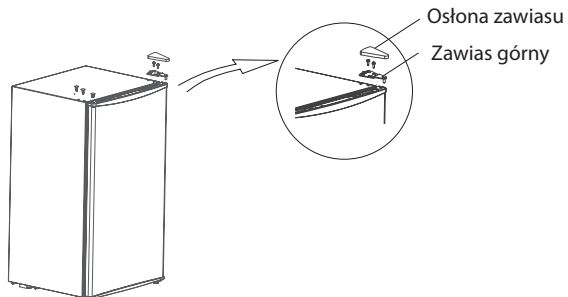
- Przekręć nóżki zgodnie z ruchem wskazówek zegara, aby podnieść urządzenie;
- Przekręć nóżki w kierunku przeciwnym do ruchu wskazówek zegara, aby opuścić urządzenie;
- Wyreguluj prawą i lewą nóżkę zgodnie z powyższymi procedurami w celu wyziomowania urządzenia.

Zmiana kierunku otwierania drzwi

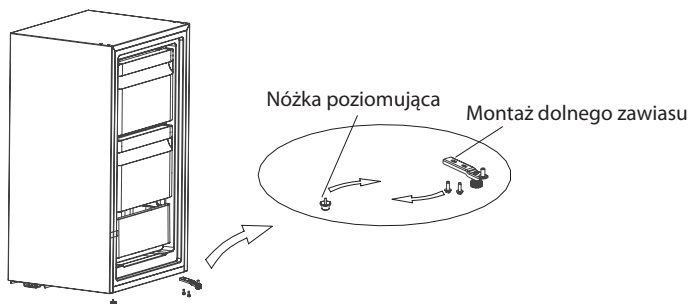
Lista narzędzi do dostarczenia przez użytkownika			
	Śrubokręt krzyżakowy		Szpachelka lub śrubokręt z cienkim ostrzem
	5/16" Klucz nasadowy		Taśma maskująca

Części, których należy użyć przy zmianie kierunku otwierania drzwi			
Numer	Nazwa	Liczba	Uwaga
1	Zawias górny	1	Zainstalowany fabrycznie w urządzeniu, jest nadal używany podczas zmiany kierunku otwierania
2	Obudowa zawiasu	1	Zainstalowana fabrycznie w urządzeniu, jest nadal używana podczas zmiany kierunku otwierania
3	Gwintowana śruba blokująca	5	Zainstalowana fabrycznie w urządzeniu, jest nadal używana podczas zmiany kierunku otwierania
4	Obudowa otworu	1	Zainstalowana fabrycznie w urządzeniu, jest nadal używana podczas zmiany kierunku otwierania
5	Sworzeń	2	Zainstalowany fabrycznie w urządzeniu, jest nadal używany podczas zmiany kierunku otwierania
6	Cokół zawiasu dolnego	1	Zainstalowany fabrycznie w urządzeniu, jest nadal używany podczas zmiany kierunku otwierania
7	Nóżka poziomująca	1	Zainstalowana fabrycznie w urządzeniu, jest nadal używana podczas zmiany kierunku otwierania
8	Śruba gwintowana	1	Zainstalowana fabrycznie w urządzeniu, jest nadal używana podczas zmiany kierunku otwierania

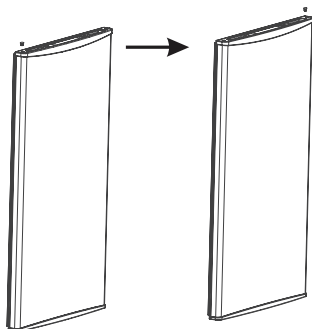
- 1) Wyłączyć urządzenie i wyjąć wszystkie przedmioty z półek na drzwiach.
- 2) Zdjąć osłonę zawiasu, śruby i górny zawias oraz zdjąć osłonę otworu i sworznie z drugiej strony.



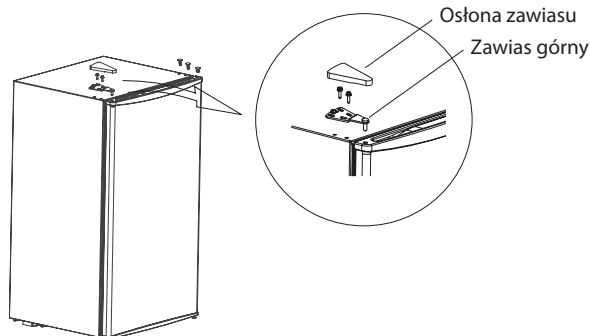
- 3) Najpierw zdemontuj drzwi, następnie wyjmij dolny zawias i nóżkę poziomującą, zmierz położenie dolnego zawiasu i nóżki poziomującej i zamontuj je.



- 4) Wyjmij zaślepkę otworu pod drzwiami i załóż ją po drugiej stronie.



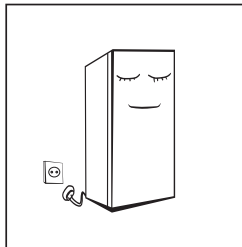
- 5) Zamontuj drzwi na dolnym zespole zawiasu, a następnie zamontuj po kolei górny zawias, osłonę zawiasu, sworznie i zaślepkę otworu.



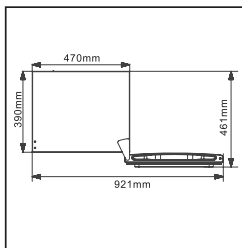
(Powyższy obrazek ma charakter poglądowy. Rzeczywista konfiguracja będzie zależec od produktu fizycznego lub oświadczenia dystrybutora.)

Zaczęcie użytkowania

- Przed pierwszym uruchomieniem należy pozostawić lodówkę w pomieszczeniu na pół godziny w stanie spoczynku, a następnie podłączyć ją do zasilania.
- Przed włożeniem świeżej lub mrożonej żywności lodówka musi pracować przez 2-3 godziny, a latem, gdy temperatura jest wysoka nawet dłużej niż 4 godziny.



- Należy zapewnić wystarczająco dużo miejsca w celu wygodnego otwierania drzwi i szuflad lub oświadczenie dystrybutora.



Wskazówki dotyczące oszczędzania energii

- Urządzenie powinno być umieszczone w najchłodniejszej części pomieszczenia, z dala od urządzeń wytwarzających ciepło, rur grzewczych oraz bezpośredniego światła słonecznego.
- Przed włożeniem do urządzenia żywności należy odczekać, aż ostygnie do temperatury pokojowej. Przeciągnięcie urządzenia zmusza sprężarkę do dłuższej pracy. Żywność, która zamraza się bardzo powoli może stracić swoją jakość lub zepsuć się.
- Przed włożeniem żywności do urządzenia należy ją dobrze zawinąć i wytrzeć do sucha. W ten sposób ograniczysz powstawanie szronu wewnątrz urządzenia.
- Przestrzeń do przechowywania żywności nie powinna być wyłożona folią aluminiową, papierem woskowanym lub papierowym ręcznikiem. Zakłóca to cyrkulację zimnego powietrza, co zmniejsza wydajność urządzenia.
- Uporządkuj i oznacz żywność, aby zmniejszyć częstotliwość otwierania drzwi i długość jego poszukiwania. Wyjmij tylko tyle rzeczy, ile potrzebujesz na raz i zamknij drzwi tak szybko, jak to możliwe.

Tabela klas klimatycznych

Klasa	Symbol	Zakres temperatury otoczenia w °C
Rozszerzona umiarkowana	SN	+ 10 do + 32
Umiarkowana	N	+ 16 do + 32
Subtropikalna	ST	+ 16 do + 38
Tropikalna	T	+ 16 do + 43

Rozszerzona umiarkowana:

To urządzenie chłodzące jest przeznaczone do stosowania w zakresie temperatur otoczenia od 10 °C do 32 °C;

Umiarkowana:

To urządzenie chłodzące jest przeznaczone do stosowania w zakresie temperatur otoczenia od 16 °C do 32 °C;

Subtropikalna:

To urządzenie chłodzące jest przeznaczone do stosowania w zakresie temperatur otoczenia od 16 °C do 38 °C;

Tropikalna:

To urządzenie chłodzące jest przeznaczone do stosowania w zakresie temperatur otoczenia od 10 °C do 43 °C;

Jeżeli urządzenie pracuje poza klasą klimatyczną (zakresem temperatur otoczenia), dla której jest przeznaczone może nie być w stanie utrzymać zadawalających stałych temperatur.

Specjalnie dla nowej normy europejskiej

- Części zamówione w poniższej tabeli można otrzymać poprzez odpowiednie kanały dostaw:

Zamówione części	Zapewnione przez	Minimalny czas zapewnienia dostaw części
Termostaty	Profesjonalna obsługa techniczna	Co najmniej 7 lat od wprowadzenia na rynek ostatniego modelu
Czujniki temperatury	Profesjonalna obsługa techniczna	Co najmniej 7 lat od wprowadzenia na rynek ostatniego modelu
Płytki obwodów drukowanych	Profesjonalna obsługa techniczna	Co najmniej 7 lat od wprowadzenia na rynek ostatniego modelu
Klamki drzwi	Profesjonalne warsztaty i użytkownicy końcowi	Co najmniej 7 lat od wprowadzenia na rynek ostatniego modelu
Zawiasy drzwiowe	Profesjonalne warsztaty i użytkownicy końcowi	Co najmniej 7 lat od wprowadzenia na rynek ostatniego modelu
Regały	Profesjonalne warsztaty i użytkownicy końcowi	Co najmniej 7 lat od wprowadzenia na rynek ostatniego modelu
Kosze	Profesjonalne warsztaty i użytkownicy końcowi	Co najmniej 7 lat od wprowadzenia na rynek ostatniego modelu
Uszczelki drzwiowe	Profesjonalne warsztaty i użytkownicy końcowi	Co najmniej 10 lat od wprowadzenia na rynek ostatniego modelu

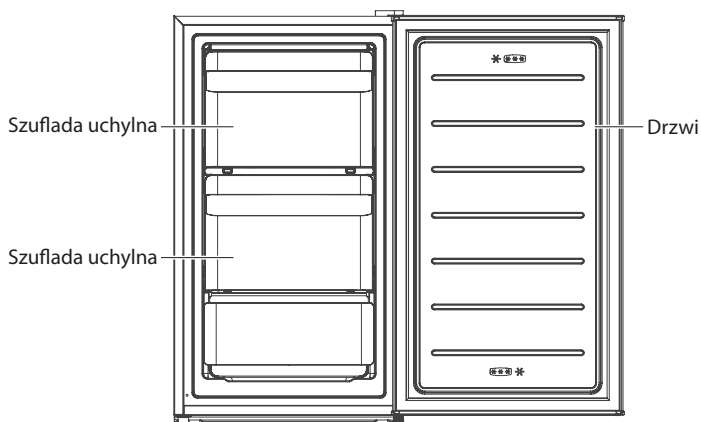
- Najkrótszy termin dostawy części zamiennych po ich sprzedaży wynosi 15 dni roboczych.
- Informacje o modelach urządzeń i ich identyfikację w bazie danych produktów można uzyskać w Internecie wykorzystując kod QR (jeśli jest umieszczony) na etykiecie energetycznej produktu.

Szanowny kliencie

1. Jeśli chcesz zwrócić lub wymienić produkt, skontaktuj się ze sklepem, w którym go kupiłeś.
(Nie zapomnij zabrać ze sobą dowodu zakupu).
2. Jeśli produkt ulegnie uszkodzeniu i wymaga naprawy, należy skontaktować się z dostawcą usług posprzedażnych.
Telefon:
Adres e-mail:

CZĘŚĆ 3: OPIS URZĄDZENIA I JEGO FUNKCJI

Główne elementy urządzenia



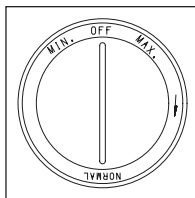
(Powyższy obrazek ma charakter poglądowy. Rzeczywista konfiguracja będzie zależać od produktu fizycznego lub oświadczenia dystrybutora.)

Komora zamrażarki

- Niskotemperaturowa komora zamrażarki pozwala utrzymać świeżość żywności przez długi okres czasu i jest używana głównie do przechowywania mrożonej żywności i produkcji lodu. Umieszczenie żywności w dolnej szufladzie jest najbardziej energooszczędne.
- Komora zamrażarki jest odpowiednia do przechowywania mięsa, ryb, kulek ryżowych i innych produktów spożywczych, które nie są planowane do użycia w krótkim czasie.
- Duże kawałki mięsa powinny zostać podzielone na mniejsze i dopiero wtedy włożone, co przyspiesza ich zamrażanie i ułatwia ich użycie (wyjmowanie).

Uwaga: Przechowywanie bardzo dużych ilości żywności podczas pracy urządzenia, po pierwszym jego podłączeniu do zasilania, może negatywnie wpłynąć na efekt jego działania. Przechowywana żywność nie może blokować wylotu (cyrkulacji) powietrza; w przeciwnym razie będzie to miało negatywny wpływ na efekt zamrażania.

Obrotowe pokrętko regulacji temperatury



- Oznaczenia na pokrętle „MIN, NORMAL, MAX i OFF” wskazują różne poziomy temperatury.
„MIN.” oznacza ustawienie na najcieplejszą temperaturę;
„MAX.” oznacza ustawienie na najchłodniejszą temperaturę.
Dla normalnego użytkowania należy ustawić pokrętko w pozycji „NORMAL”.
Zalecane ustawienie pokrętła: „NORMAL”.

CZĘŚĆ 4: KONSERWACJA I PIELĘGNACJA URZĄDZENIA

Czyszczenie

- Kurz za lodówką i z ziemi musi być regularnie usuwany, aby poprawić efekt chłodzenia i oszczędzić zużycie energii.
- Regularnie sprawdzaj uszczelkę drzwi, aby upewnić się, że nie jest zabrudzona. Wyczyść uszczelkę drzwi miękką szmatką zwilżoną wodą z mydłem lub rozcieńczonym detergentem.
- Wnętrze urządzenia należy regularnie czyścić, aby uniknąć nieprzyjemnych zapachów.
- Przed czyszczeniem wnętrza wyłącz zasilanie, wyjmij całą żywność, napoje, półki, szuflady itp.
- Aby wyczyścić wnętrze urządzenia, użyj miękkiej szmatki lub gąbki rozpuszczając dwie łyżki sody oczyszczonej w jednym litrze ciepłej wody. Następnie spłucz urządzenie wodą i wytrzyj do czysta. Po wyczyszczeniu należy otworzyć drzwi i pozostawić urządzenie do wyschnięcia w naturalny sposób przed jego włączeniem.
- Miejsca trudne do czyszczenia w urządzeniu (takie jak wąskie szczeliny, szpary lub rogi) zaleca się regularnie wycierać miękką ściereczką, miękką szcztotką itp. oraz, jeśli to konieczne, używając dodatkowych narzędzi pomocniczych (takich jak cienkie patyczki), aby w tych miejscach nie gromadził się brud czy bakterie.
- Nie używaj mydła, detergentów, proszku czyszczącego, środków czyszczących w sprayu itp., ponieważ mogą powodować nieprzyjemny zapach wewnątrz lodówki lub szkazić żywność.
- Wyczyść uchwyt na butelki, półki i szuflady miękką szmatką zwilżoną wodą z mydłem lub rozcieńczonym detergentem. Osusz miękką szmatką lub pozostaw do wyschnięcia w sposób naturalny.
- Wytrzyj obudowę urządzenia miękką szmatką zwilżoną wodą z mydłem, detergentem itp., a następnie wytrzyj do sucha.
- Nie używaj twardych szcztotek, stalowych kulek czyszczących, drucianych szcztotek, materiałów ściernych (takich jak pasta do zębów), rozpuszczalników organicznych (takich jak alkohol, aceton, olej bananowy itp.), wrzącej wody, przedmiotów o odczynie kwaśnym lub zasadowym, które mogą uszkodzić powierzchnię i wnętrze urządzenia. Wrząca woda i rozpuszczalniki organiczne, takie jak benzen, mogą odkształcić lub uszkodzić plastikowe części.
- Nie spłukuj urządzenia bezpośrednio wodą lub innymi płynami podczas czyszczenia, aby zapobiec zwarciom lub nie spowodować uszkodzeń izolacji elektrycznej w wyniku jej zamoczenia.



Odłącz urządzenie od sieci elektrycznej w celu jego odszraniania i czyszczenia.

Odszranianie

- Wyłączyć zasilanie urządzenia.
- Wyjmij żywność z urządzenia i umieść ją w odpowiednim miejscu, tak aby nie uległa roztopieniu.
- Wyczyść rurę odpływową (użyj miękkich materiałów, aby zapobiec uszkodzeniu powierzchni). Przygotuj pojemniki na wodę do rozmrażania. (Należy zwrócić uwagę na oczyszczenie zbiornika spustowego wody z komory sprężarki. Nie pozwól, aby woda rozlała się na podłogę).
- Możesz rozmrażać urządzenie w naturalnej temperaturze otoczenia, możesz również użyć łyżki do lodu, aby usunąć oblodzenie (użyj plastikowej lub drewnianej łyżki do lodu, aby zapobiec uszkodzeniu powierzchni lub rury)
- Możesz również użyć odpowiedniej ilości ciepłej wody, aby przyspieszyć proces rozmrażania, a następnie użyj suchej ściereczka i ręcznika w celu osuszenia urządzenia z wody.
- Po rozmrożeniu włóż żywność z powrotem do urządzenia i włącz je.

Zaprzestanie używania urządzenia

- Awaria zasilania: nawet w lecie żywność może pozostać w urządzeniu przez kilka godzin; podczas awarii zasilania należy jak najrządziej otwierać drzwi i nie wkładać do urządzenia świeżej żywności.
- Dłuższe nieużywanie urządzenia: musi być ono wtedy odłączone od sieci, a następnie wyczyszczone, drzwi urządzenia należy pozostawić otwarte, aby zapobiec powstawaniu nieprzyjemnych zapachów.
- Przenoszenie urządzenia: przed jego przeniesieniem należy usunąć wszystkie rzeczy, które się w nim znajdują, zabezpieczyć taśmą szklane półki, uchwyt na warzywa, szuflady zamrażarki itp. oraz dokręcić nożki poziomujące; zamknąć drzwi i zakleić taśmą. Urządzenie nie może być ustawione do góry nogami lub poziomo i nie może być narażone na wibracje podczas transportu; nachylenie podczas transportu nie może być większe niż 45 stopni. Podczas przenoszenia urządzenia nie wolno go trzymać za drzwi i zawiasy.

Po uruchomieniu urządzenie musi pracować w sposób ciągły. Ogólnie rzecz biorąc, jego działanie nie powinno być przerywane, w przeciwnym razie jego żywotność może ulec skróceniu.

CZĘŚĆ 5: ROZWIĄZYWANIE PROBLEMÓW

Możesz sam spróbować rozwiązać następujące proste problemy.
Jeśli nie można ich rozwiązać, skontaktuj się z centrum serwisowym.

Problem	Możliwa przyczyna i rozwiązanie
Urządzenie nie działa.	Sprawdź, czy urządzenie jest podłączone do zasilania lub czy wtyczka ma dobry kontakt z gniazdkiem sieciowym. Sprawdź, czy napięcie sieciowe nie jest zbyt niskie. Sprawdź, czy nie ma awarii zasilania lub częściowego wyłączenia obwodu.
Smród.	Żywność o zapachu musi być ciasno zapakowana. Sprawdź, czy w urządzeniu nie ma zepsutej żywności. Wyczyść wewnątrz urządzenia.
Długotrwała praca sprężarki.	Długotrwała praca urządzenia jest normalna latem, gdy temperatura otoczenia jest wysoka. Nie zaleca się jednoczesnego umieszczania dużej ilości jedzenia w urządzeniu. Żywność musi ostygnąć przed włożeniem do urządzenia. Drzwi urządzenia są bardzo często otwierane.
Nie można prawidłowo zamknąć drzwi.	Drzwi są klejone z opakowaniami do żywności. W urządzeniu jest dużo jedzenia. Lodówka jest przechylona.
Głośny dźwięk.	Upewnij się, że podłoga jest wypoziomowana, a lodówka stabilna. Upewnij się, że akcesoria urządzenia znajdują się we właściwych miejscach.
Szczelina w uszczelce.	Usuń ciała obce z uszczelki drzwi. Podgrzej uszczelkę drzwi, a następnie ochłódź ją do regeneracji (lub przedmuchaaj elektryczną suszarką do włosów lub użyj gorącego ręcznika do podgrzania).
Zbiornik na wodę przecieka.	W pomieszczeniach jest dużo jedzenia lub przechowywana żywność zawiera dużo wody, co prowadzi do intensywnego rozmrażania. Drzwi nie są prawidłowo zamknięte, co powoduje oblodzenie z powodu wlotu powietrza i podwyższony poziom wody z powodu odszraniania.
Przegrzanie bocznych ścian urządzenia.	Odprowadzanie ciepła z wbudowanego skraplacza przez pokrywę urządzenia, co jest normalne. Gdy pokrywa urządzenia nagrzewa się z powodu wysokiej temperatury otoczenia, przechowywania bardzo dużych ilości żywności lub wyłączania kompresora, należy zapewnić odpowiednią wentylację, aby ułatwić rozpraszanie ciepła.
Kondensacja wilgoci na powierzchni.	Kondensacja wilgoci na zewnętrznej powierzchni i uszczelkach drzwi urządzenia jest zjawiskiem normalnym, gdy wilgotność otoczenia jest bardzo wysoka. Wystarczy przetrzeć kondensat czystą szmatką.
Niestandardowe dźwięki.	Brzęczenie: Sprężarka może wydawać sygnał dźwiękowy podczas pracy, a brzęczenie jest głośny, zwłaszcza gdy jest uruchamiany lub zatrzymywany. To normalne. Skrzypienie: Czynnik chłodniczy przepływający wewnątrz urządzenia może powodować skrzypienie, co jest normalne.

Wskazówki dotyczące przechowywania

Uwzględnij poniższe wskazówki, aby nie dochodziło do psucia się żywności

- Długie otwieranie drzwiczek może spowodować znaczne podniesienie temperatury w częściach urządzenia.
- Regularnie czyść powierzchnie, które mogą mieć kontakt z żywnością oraz z dostępnymi systemami odwadniającymi.
- Surowe mięso i ryby umieść w odpowiednich pojemnikach w lodówce, aby nie dochodziło między nimi do kontaktu z inną żywnością i aby nie ciekła na nie woda.
- **Dwugwiazdkowe pojemniki na żywność mrożoną są odpowiednie do przechowywania uprzednio zamrożonej żywności, przechowywania lub produkcji lodów i produkcji kostek lodu.
- *Jedno -, dwu** - i trzygwiazdkowe ***pojemniki nie są odpowiednie do mrożenia świeżej żywności.

nr.	RODZAJ przestrzeni	Docelowa temperatura przechowywania [°C]	Odpowiednie jedzenie
1	Lodówka	+2 ~ +8	Jajka, posiłki gotowane, pakowane produkty spożywcze, owoce i warzywa, produkty mleczne, ciasta, napoje i inne produkty spożywcze nienadające się do zamrażania.
2	(***)*- Zamrażarka	≤ -18	Owoce morza (ryby, krewetki, skorupiaki), świeże słodkowodne produkty rybne i produkty mięsne (zalecany okres to 3 miesiące, im dłuższy okres przechowywania, tym gorszy smak i wartość odżywcza) odpowiedni do świeżej mrożonej żywności.
3	***- Zamrażarka	≤ -18	Owoce morza (ryby, krewetki, skorupiaki), świeże słodkowodne produkty rybne i produkty mięsne (zalecany okres to 3 miesiące, im dłuższy okres przechowywania, tym gorszy smak i wartość odżywcza) odpowiedni do świeżej mrożonej żywności.
4	** - Zamrażarka	≤ -12	Owoce morza (ryby, krewetki, skorupiaki), świeże słodkowodne produkty rybne i produkty mięsne (zalecany okres to 2 miesiące, im dłuższy okres przechowywania, tym gorszy smak i wartość odżywcza) nie nadaje się do świeżo mrożonej żywności.
5	* - Zamrażarka	≤ -6	Owoce morza (ryby, krewetki, skorupiaki), świeże słodkowodne produkty rybne i produkty mięsne (zalecany okres to 1 miesiąc, im dłuższy okres przechowywania, tym gorszy smak i wartość odżywcza) nie nadaje się do świeżo mrożonej żywności.
6	0 - gwiazdek	-6 ~ 0	Świeża wieprzowina, wołowina, ryby, kurczak, niektóre pakowane przetworzone produkty spożywcze itp. (Zaleca się spożywać tego samego dnia, najlepiej nie dłużej niż 3 dni). Częściowo pakowana żywność przetworzona (żywność niezamrażająca).

7	Chłodzenie	-2 ~ +3	Świeża / mrożona wieprzowina, wołowina, kurczak, świeże ryby słodkowodne itp. (Zaleca się spożywać tego samego dnia przez 7 dni w temperaturze poniżej 0 °C i temperaturze powyżej 0 °C, jeśli to możliwe, nie przechowywać przez dłużej niż 2 dni). Owoce morza (przechowywać w temperaturze poniżej 0 °C przez 15 dni, przechowywanie w temperaturze powyżej 0 °C nie jest zalecane).
8	Świeża żywność	0 ~ +4	Świeża wieprzowina, wołowina, ryby, kurczak, gotowane jedzenie itp. (zaleca się spożywać tego samego dnia, najlepiej nie dłużej niż 3 dni).
9	Wino	+5 ~ +20	Czerwone wino, białe wino, wino musujące itp.

Uwaga: Przechowuj różne produkty spożywcze zgodnie z zakupioną lokalizacją lub docelową temperaturą przechowywania produktów.

- W przypadku pozostawienia urządzenia chłodniczego pustego przez długi czas, należy je wyłączyć, rozmrozić, wyczyścić osuszyć i pozostawić otwarte drzwi, aby zapobiec tworzeniu się pleśni w urządzeniu.

Umiejscowienie żywności w urządzeniu

- Ziemniaków, cebuli i czosnku nie należy przechowywać w lodówce / zamrażarce
- W normalnych warunkach ustawienie temperatury w lodówce jest wystarczające do + 4 °C
- Temperatura lodówki powinna wynosić od 0 °C do 8 °C. Świeża żywność przechowywana w temperaturze poniżej 0 °C zamraża, gnije. Obciążenie bakteryjne wzrasta przy przechowywaniu w temperaturze powyżej 8 °C i psuje się żywność
- Nie wkładaj gorącej lub gorącej żywności do lodówki / zamrażarki, poczekaj aż ostygnie do temperatury pokojowej. Gorąca żywność podnosi temperaturę wewnątrz lodówki / zamrażarki i może powodować niepotrzebne psucie się i możliwe zatrucie pokarmowe.
- Mięso, ryby itp. Należy przechowywać w wyznaczonej komorze chłodniczej - jeśli jest dostępna
- Owoce i warzywa należy przechowywać w wyznaczonej komorze chłodniczej - jeśli jest dostępna
- Aby zapobiec zanieczyszczeniu produktów mięsnych bakteriami, nie przechowuj owoców i warzyw w wspólnej komorze. To samo jest prawdą na odwrót - skażenie owoców i warzyw bakteriami z produktów mięsnych.

CZĘŚĆ 6: ARKUSZ INFORMACYJNY

Arkusz informacyjny

PHILCO 

DELEGOWANE ROZPORZĄDZENIE KOMISJI (UE) 2019/2016

Nazwa lub znak producenta: PHILCO

Adres producenta: FAST ČR, a.s., U Sanitatu 1621, Říčany 251 01, Czech Republic

Znak identyfikacyjny modelu: PTF 60 EW

Rodzaj sprzętu chłodniczego: Zamrażarka

Urządzenie z niskim poziomem hałasu	Nie	Rodzaj urządzenia	wolnostojące
Urządzenie do przechowywania wina	Nie	Inne urządzenia chłodnicze	Tak

Podstawowe specyfikacje

Parametr	Wartość	Parametr	Wartość
Rozmiary w mm	Wysokość	Całkowita objętość (dm ³ lub l)	60
	Szerokość		
	Głębokość		
Wskaźnik efektywności energetycznej (EEI)	100	Klasa efektywności energetycznej*	E
Akustyczny dźwięk emisji hałasu (dB(A) re 1 pW)	41	Klasa emisji hałasu akustycznego	C
Roczne zużycie energii (kWh/rok)	156	Klasa klimatyczna:	umiarkowana, subtropikalna
Minimalna temperatura otoczenia (°C), dla której odpowiedni jest układ chłodzenia	16	Maksymalna temperatura otoczenia (°C), dla której odpowiedni jest układ chłodzenia	38
Nastawienie urządzenia na zimę	Nie		

Specyfikacja przestrzeni

Rodzaj przestrzeni	Parametry i wartość przestrzeni chłodzącej			
	Objętość urządzenia (dm ³ lub l)	Zalecane ustawienie temperatury dla optymalnego przechowywania żywności (°C)	Zdolność zamrażania (kg/24h)	Rodzaj rozmrażania (automatyczne rozmrażanie = A ręczne rozmrażanie = M)
Spizarnia	Nie	-	-	-

Przechowywanie wina	Nie	-	-	-	-
Piwnica	Nie	-	-	-	-
Świeża żywność	Nie	-	-	-	-
Komora zamrażarki	Nie	-	-	-	-
0 – gwiazdek lub kostka do lodu	Nie	-	-	-	-
1-gwiazdka	Nie	-	-	-	-
2-gwiazdki	Nie	-	-	-	-
3-gwiazdki	Nie	-	-	-	-
4-gwiazdki	Tak	60,0	- 18	6,0	M
2-gwiazdkowa przestrzeń	Nie	-	-	-	-
Szuflada ze zmienną temperaturą	Nie	-	-	-	-
4-gwiazdkowa przestrzeń					
Funkcja szybkiego zamrażania			Nie		
Parametry źródła światła:					
Rodzaj źródła światła			-		
Klasa efektywności energetycznej			-		
Minimalny okres gwarancji oferowany przez producenta: 24 miesiące					
Dodatkowe informacje:					
Link do strony internetowej producenta, na której są informacje o których mowa w pkt.4 lit. a) załącznika do rozporządzenia Komisji (UE) 2019/2022, można znaleźć na stronie: www.philco.cz					

* A (najwyższa wydajność) do G (najniższa wydajność)

INFORMACJE TECHNICZNE

Informacje techniczne można znaleźć na tabliczce znamionowej wewnątrz urządzenia oraz na etykiecie energetycznej. Kod QR na dostarczonej etykiecie energetycznej zawiera link do rejestracji urządzenia w unijnej bazie danych Eprei.

INFORMACJE O TESTACH

Dostarczone urządzenie jest zgodne z EcoDesign i EN62552. Wymagania dotyczące dostępu powietrza do prawidłowego działania urządzenia, minimalna odległość od ściany oraz wymiary urządzenia są częścią niniejszej instrukcji. W przypadku dalszych pytań prosimy o kontakt z producentem.

OBSŁUGA I OBSŁUGA KLIENTA

Zawsze używaj oryginalnych części zamiennych.

Oznakowanie modelu i numer serii znajdziesz na tablicy znamionowej. Pozycję tablicy znamionowej można zmienić bez uprzedniego ostrzeżenia. Oryginalne części zamienne dla niektórych konkretnych komponentów są do dyspozycji min. 7 lub 10 lat. Jest to zależne od typu komponentu oraz od wprowadzenia ostatniego urządzenia danego modelu na rynek.

Kontaktując się z naszym autoryzowanym serwisem, należy mieć dostępne oznaczenie modelu, numer seryjny i opis wady.

Aby pobrać dokumenty, odwiedź www.philco.pl.

Aby zgłosić usterkę i uzyskać dodatkowe informacje serwisowe, odwiedź www.philco.pl/sposoby-zglaszania-reklamacji-gwarancyjnej.

Zastrzega się możliwość zmian bez powiadomienia.

WSKAZÓWKI O INFORMACJE DOTYCZĄCE LIKWIDACJI ZUŻYTYCH OPAKOWAŃ

Materiały z opakowań zlikwiduj w publicznym punkcie likwidacji odpadów.

LIKWIDACJA ZUŻYTYCH URZĄDZEŃ ELEKTRYCZNYCH I ELEKTRONICZNYCH



Znaczenie symbolu na produkcie, jego akcesoriach lub opakowaniu oznacza, że z tym produktem nie wolno obchodzić się, jak ze zwykłym odpadem komunalnym. Zlikwiduj ten produkt w odpowiednim punkcie zbiórki i recyklingu odpadów z urządzeń elektrycznych i elektronicznych. Ewentualnie w niektórych państwach Unii Europejskiej lub innych państwach europejskich jest możliwy zwrot produktu lokalnemu sprzedawcy, w przypadku zakupu podobnego nowego produktu. Odpowiednia likwidacja tego produktu pomoże oszczędzić cenne źródła naturalne i pomoże w prewencji ewentualnego negatywnego wpływu na środowisko i zdrowie ludzkie, do którego mogłoby dojść w wyniku niewłaściwej likwidacji odpadów. Szczegółowe informacje uzyskasz od lokalnego urzędu lub w najbliższym centrum zbiórki odpadów. Niewłaściwa likwidacja tego typu odpadu może podlegać wewnątrzpaństwowym przepisom o mandatach.

Informacja dla firm w Unii Europejskiej

Jeśli chcesz zlikwidować urządzenie elektryczne lub elektroniczne, poproś o potrzebne informacje swojego sprzedawcę lub dostawcę.

Likwidacja w innych państwach poza Unią Europejską

Jeśli chcesz zlikwidować ten produkt, poproś o niezbędne informacje o odpowiednim sposobie likwidacji w miejscowym urzędzie lub u swojego sprzedawcy.



Ten produkt spełnia wszystkie podstawowe wymagania rozporządzenia UE, które się do niego stosują.

Zmiany w tekście, dizajnie i danych technicznych mogą się pojawić bez uprzedniego ostrzeżenia i zastrzegamy sobie prawo do wykonania tychże zmian.



OSTRZEŻENIE! PODCZAS UŻYWANIA, SERWISOWANIA ORAZ LIKWIDACJI ZWRÓĆ UWAGĘ NA SYMBOL PODOBNY DO TEGO PO LEWEJ STRONIE, KTÓRY JEST UMIESZCZONY NA TYLNEJ STRONIE URZĄDZENIA (TYLNY PANEL LUB KOMPRESOR) O ŻÓŁTYM LUB POMARAŃCZOWYM KOLORZE.



JEST TO SYMBOL OSTRZEGAWCZY O RYZYKU POŻARU. SĄ TU MATERIAŁY PALNE RUR I KOMPRESOR. BĄDŹ Z DAŁA OD ŹRÓDEŁ OGNI A PODCZAS UŻYWANIA, OBSŁUGI URZĄDZENIA I LIKWIDACJI.

MÉLYHŰTŐ

HASZNÁLATI UTASÍTÁS

PHILCO



Famous for Quality the World Over

PTF 60 EW

**Tisztelt vásárlónk,
Köszönjük, hogy PHILCO terméket vásárolt. Kérjük, hogy a készülék helyes használata érdekében olvassa el az útmutatóban összefoglalt használati utasításokat.**

TARTALOM

1. RÉSZ: BIZTONSÁGI UTASÍTÁSOK.....	3
2. RÉSZ: A KÉSZÜLÉK HELYES HASZNÁLATA.....	12
ELHELYEZÉS	12
SZABÁLYOZÓLÁBAK	13
AZ AJTÓNYITÁS IRÁNYÁNAK MEGVÁLTOZTATÁSA	14
ÜZEMBE HELYEZÉS	16
ENERGIATAKARÉKOSSÁGI TIPP EK.....	17
KLÍMAOSZTÁLY-TÁBLÁZAT	17
AZ ÚJ EURÓPAI SZABVÁNYHOZ	18
3. RÉSZ: A KÉSZÜLÉK ÉS FUNKCIÓJÁNAK LEÍRÁSA	19
A KÉSZÜLÉK FŐ RÉSZEI	19
FAGYASZTÓTÉR	19
TERMO SZTÁT GOMB.....	20
4. RÉSZ: A KÉSZÜLÉK ÁPOLÁSA ÉS KARBANTARTÁSA	21
TISZTÍTÁS.....	21
LEOLVASZTÁS.....	22
HASZNÁLATON KÍVÜL.....	22
5. RÉSZ: HIBAELHÁRÍTÁS	23
TÁROLÁSI UTASÍTÁSOK	24
RÉSZ ÉLELMISZEREK ELHELYEZÉSE A KÉSZÜLÉKBEN	25
6. RÉSZ: TERMÉKLAP.....	26
MŰSZAKI INFORMÁCIÓK.....	28
VIZSGÁLATI INFORMÁCIÓK.....	28
ÜGYFÉLKÖRNYEZET ÉS SZOLGÁLTATÁS.....	28
A CSOMAGOLÓANYAG SELEJT EZÉSÉRE VONATKOZÓ SZABÁLYOK ÉS TUDNIVALÓK.....	29
A HASZNÁLT ELEKTROMOS ÉS ELEKTRONIKUS KÉSZÜLÉKEK SELEJT EZÉSE	29



A készülék tesztelése az EU vonatkozó, érvényes szabványai szerint zajlott. A készülék megfelel az Európai Unió elektromos készülékek használatára vonatkozó biztonsági szabványainak.

Tisztelt vásárlónk:

Köszönjük, hogy megvásárolta ezt a hűtőszekrényt. Kérjük, hogy a készülék legjobb használata érdekében olvassa el ezt az útmutatót.

A csomagolás selejtezésénél figyelembe kell venni az aktuális környezetvédelmi követelményeket.

Minden típusú hűtőkészülék selejtezésénél értesíteni kell a helyi hivatalt, ahol a biztonságos selejtezésre vonatkozó pontos információkkal szolgálnak majd.

Ez a készülék csak eredeti rendeltetési céljára használható.

FIGYELEM:

A készüléket nem használhatják felügyelet nélkül gyermekek és idősebb személyek. Ügyelni kell, hogy gyermekek ne játszanak a készülékkel.

1. RÉSZ: BIZTONSÁGI UTASÍTÁSOK



SZEMÉLYES BIZTONSÁGA ÉS A KÉSZÜLÉK HELYES HASZNÁLATA MIATT KÉRJÜK, HOGY A KÉSZÜLÉK BESZERELÉSE ÉS ÜZEMBE HELYEZÉSE ELŐTT OLVASSA EL FIGYELMESEN EZT A HASZNÁLATI UTASÍTÁST, A TANÁCSOKAT ÉS A FIGYELMEZTETÉSEKET. A HIBÁK ÉS SÉRÜLÉSEK ELKERÜLÉSE ÉRDEKÉBEN GONDOSKODNI KELL ARRÓL, HOGY A KÉSZÜLÉKET HASZNÁLÓ SZEMÉLYEK TISZTÁBAN LEGYENEK A HASZNÁLAT MÓDJÁVAL ÉS A BIZTONSÁGI FUNKCIÓKKAL. ŐRIZZE MEG AZ ÚTMUTATÓT. A KÉSZÜLÉK ELADÁSA ESETÉN MELLÉKELJE HOZZÁ A HASZNÁLATI UTASÍTÁST IS ÚGY, HOGY ANNAK TELJES ÉLETTARTAMA ALATT KÉZNÉL LEGYEN ÉS BIZTOSÍTANI TUDJA A HELYES ÉS BIZTONSÁGOS HASZNÁLATOT. BIZTONSÁGI ÉS TULAJDONVÉDELMI OKOKBÓL BE KELL TARTANI AZ ÚTMUTATÓ UTASÍTÁSAIT, MERT A GYÁRTÓ NEM VÁLLAL FELELŐSSÉGET AZ UTASÍTÁSOK MELLŐZÉSE MIATT FELLÉPŐ ANYAGI KÁROKÉRT.

- A KÉSZÜLÉKET HASZNÁLHATJÁK 8 ÉVNÉL IDŐSEBB GYERMEKEK ÉS KORLÁTOZOTT FIZIKAI, ÉRZÉKSZERVI ÉS MENTÁLIS KÉPESSÉGŰ, VAGY KELLŐ TAPASZTALATOKKAL NEM RENDELKEZŐ SZEMÉLYEK IS, HA FELÜGYELNEK RÁJUK ÉS TISZTÁBAN VANNAK A KÉSZÜLÉK HELYES ÉS BIZTONSÁGOS HASZNÁLATÁVAL ÉS A FENNÁLLÓ VESZÉLYEKSEL.
- 3 -8 ÉVES KORÚ GYEREKEK A TERMÉKET ÉLELMISZER BEHELYEZÉSÉRE ÉS KIEMELÉSÉRE HASZNÁLHATJÁK.
- A KÉSZÜLÉKKEL NEM JÁTSZHATNAK GYERMEKEK.
- A TISZTÍTÁST ÉS ÁPOLÁST NEM VÉGEZHETIK GYERMEKEK FELÜGYELET NÉLKÜL.

- A SÉRÜLT TÁPKÁBELT A FENNÁLLÓ VESZÉLYEK MIATT CSAK A MÁRKASZERVIZ CSERÉLHETI KI. TILOS HASZNÁLNI A KÉSZÜLÉKET, HA MEGSÉRÜLT A TÁPKÁBEL.

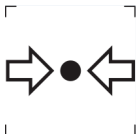
- **FIGYELEM:** HA AZ ÖN MODELLJÉN A JÉGKÉSZÍTŐ NEM CSATLAKOZIK A VÍZVEZETÉKHEZ, AKKOR CSAK IVÓVÍZZEL SZABAD FELTÖLTENI.

- **VIGYÁZAT:** TARTSA TISZTÁN ÉS AKADÁLYMENTESEN A TERMÉKEN VAGY A BEÉPÍTETT SZEKRÉNYEN LEVŐ SZELLŐZŐNYÍLÁSOKAT.

- **VIGYÁZAT:** NE HASZNÁLJON MECHANIKUS ESZKÖZÖKET A LEOLVASZTÁS MEGGYORSÍTÁSÁHOZ, CSAK HA A GYÁRTÓ JAVASOLJA AZOKAT.

- **VIGYÁZAT:** NEM SZABAD MEGRONGÁLNI A HŰTŐKÖRT.

- **VIGYÁZAT:** A KÉSZÜLÉK BELSŐ TÁROLÓTERÉBEN TILOS AZ ELEKTROMOS ESZKÖZÖK HASZNÁLATA, KIVÉVE, HA A GYÁRTÓ JAVASOLJA AZOKAT.



ISO 7000-1701 (2004-01)

A JELZÉS JELENTÉSE: NYOMÁS ALATT LÉVŐ MÉDIUM.

EZ A KÉSZÜLÉK HÁZTARTÁSOKBAN ÉS HASONLÓ HELYEKEN HASZNÁLHATÓ, MINT PÉLDÁUL:

- KLKALMAZOTTAK KONYHÁJÁBAN BOLTOKBAN, IRODÁKBAN ÉS MÁS MUNKAHELYEKEN;
- FARMOK, HOTELEK, MOTELEK ÉS MÁS SZÁLLÁSHELYEK VENDÉGEI ÁLTAL;
- REGGELIT SZOLGÁLTATÓ SZÁLLÁSHELYEKEN;
- CATERING ÉS MÁS KISKERESKEDELMI JELLEGŰ HASZNÁLAT.

CSAK NÉHÁNY HŰTŐSZEKRENY-MODELL RENDELKEZIK JÉGKÉSZÍTŐVEL IS. A BEÉPÍTETT JÉGKÉSZÍTŐ SZERELÉSÉT CSAK A GYÁRTÓ VAGY A MÁRKASZERVIZ VÉGEZHETI EL.

- VÍZVEZETÉKHEZ CSATLAKOZTATOTT JÉGKÉSZÍTŐVEL RENDELKEZŐ MODELLEK ESETÉBEN: **FIGYELEM:** KIZÁRÓLAG IVÓVÍZHEZ SZABAD BEKÖTNI.
- **FIGYELEM:** A KÉSZÜLÉKET AZ ÚTMUTATÓ SZERINT KELL TELEPÍTENI, A FELBORULÁS VESZÉLYÉNEK ELKERÜLÉSE VÉGETT.
- **FIGYELEM:** A HŰTŐRENDSZERBEN KERINGŐ HŰTŐKÖZEG NAGY NYOMÁS ALATT VAN. NE NYÚLJON A HŰTŐRENDSZERHEZ. A JAVÍTÁSOKAT CSAK SZAKKÉPZETT SZEMÉLYEK VÉGEZHETIK EL.



VIGYÁZAT:
TŰZVESZÉLY/GYÚLÉKONY ANYAGOK!

IZOBUTÁN HŰTŐGÁZT TARTALMAZ

R600a

HŰTŐKÖZEG

A HŰTŐKÖRBE KERINGŐ IZOBUTÁN (R600a) EGY TERMÉSZETES ÉS KÖRNYEZETBARÁT GÁZ, DE ENNEK ELLENÉRE IS GYÚLÉKONY. SZÁLLÍTÁS KÖZBEN ÓVNI KELL A HŰTŐKÖR RÉSZEIT A SÉRÜLÉSEKTŐL. A HŰTŐKÖZEG (R600a) GYÚLÉKONY.

• **VIGYÁZAT** — A HŰTŐSZEKRENYEK HŰTŐKÖZEGET ÉS HŰTŐGÁZOKAT TARTALMAZNAK. A HŰTŐKÖZEGET ÉS A HŰTŐGÁZOKAT SZAKSZERŰEN KELL SELEJTEZNI, MERT SZEMSÉRÜLÉSEKET OKOZHATNAK VAGY MEGGYULLADHATNAK. SELEJTEZÉS ELŐTT ELLENŐRIZZE A HŰTŐVEZETÉK SÉRTETLENSÉGÉT.



A JELZÉS ARRRA FIGYELMEZTET, HOGY A HŰTŐKÖZEG ÉS A SZIGETELŐ GÁZOK GYÚLÉKONYAK.

VIGYÁZAT: TŰZVESZÉLY – GYŰLÉKONY ANYAGOK

A HŰTŐKÖZEG SÉRÜLÉSE ESETÉN:

- KERÜLJE A NYÍLT TÜZET ÉS A TŰZVESZÉLYES HELYEKET.
- ALAPOSAN SZELLŐZTESSE KI A HELYSÉGET, AHOL A KÉSZÜLÉK ÁLL.

A KÉSZÜLÉK BÁRMILYEN VÁLTOZTATÁSA VAGY MÓDOSÍTÁSA VESZÉLYES LEHET.

A TÁPKÁBEL MINDEN SÉRÜLÉSE ZÁRLATOT, TÜZET ÉS/VAGY ÁRAMÜTÉST OKOZHAT.

● **FIGYELEM:** A HŰTŐKÖZEG A HŰTŐRENDSZERBEN NAGY NYOMÁS ALATT VAN. NE NYÚLJON A HŰTŐRENDSZERHEZ. A JAVÍTÁSOKAT CSAK KÉPZETT SZEMÉLYEK VÉGEZHETIK EL.

● **FIGYELEM:** A KÉSZÜLÉK ELHELYEZÉSÉNÉL ÓVNI KELL A TÁPKÁBELT A BECSÍPŐDÉSTŐL ÉS SÉRÜLÉSEKTŐL.

● **FIGYELEM:** NE HELYEZZEN TÖBBRÉSZES HORDOZHATÓ ALJZATOT VAGY MOBIL TÁPFORRÁSOKAT A KÉSZÜLÉK HÁTSÓ RÉSZÉHEZ.



ELEKTROMOS BIZTONSÁG

1. NEM SZABAD MEGHOSSZABBÍTANI A TÁPKÁBELT.
2. ELLENŐRIZZE A CSATLAKOZÓDUGÓ SÉRTETLENSÉGÉT.
A MEGRONGÁLT VAGY SÉRÜLT CSATLAKOZÓDUGÓ FELFORRÓSODHAT ÉS TÜZET OKOZHAT.
3. BIZTOSÍTANI KELL A CSATLAKOZÓDUGÓ JÓ HOZZÁFÉRHETŐSÉGÉT.
4. NE HÚZZA A TÁPKÁBELT.

5. NE CSATLAKOZTASSA A KÁBELT EGY KILAZULT DUGALJHOZ. FENNÁLL AZ ÁRAMÜTÉS VAGY TŰZKÉPZŐDÉS VESZÉLYE.
6. NE ÜZEMELTESSE A KÉSZÜLÉKET A BELSŐ IZZÓ BURKOLATA NÉLKÜL.
7. A HŰTŐSZEKRENY TÁPELLÁTÁSÁT EGYFÁZISÚ 220-240~ V/50 HZ VÁLTAKOZÓ ÁRAM BIZTOSÍTJA. HA A HELYI HÁLÓZAT FESZÜLTÉGÉNEK INGADOZÁSA OLYAN MÉRTÉKŰ, HOGY AZ ÉRTÉKEK A TARTOMÁNYOK KÍVÜL ESNEK, BIZTONSÁGI OKOKBÓL AUTOMATIKUS FESZÜLTÉG-SZABÁLYOZÓT KELL HASZNÁLNI 350 W-NÁL MAGASABB ÉRTÉKKEL.

A HŰTŐSZEKRENYT MÁS ELEKTROMOS ESZKÖZÖKKEL KÖZÖS ELOSZTÓ ALJZAT HELYETT EGY SPECIÁLIS, ÖNÁLLÓ ÉS FÖLDELT HÁLÓZATI ALJZATHOZ KELL CSATLAKOZTATNI.

MINDENNAPOS HASZNÁLAT

- TÁROLJON GYŰLÉKONY GÁZOKAT ÉS FOLYADÉKOKAT A KÉSZÜLÉKBEN. ROBBANÁSVESZÉLY!
- NE HASZNÁLJON MÁS ELEKTROMOS ESZKÖZÖKET (PL. ELEKTROMOS FAGYLALTGÉPET, TURMIXGÉPET STB.) A KÉSZÜLÉKBEN.
- A KÉSZÜLÉK LEVÁLASZTÁSÁNÁL MINDIG A CSATLAKOZÓDUGÓT KELL MEGFOGNI. NE HÚZZA MAGÁT A KÁBELT.
- NE HELYEZZEN FORRÓ TÁRGYAKAT A KÉSZÜLÉK MŰANYAG RÉSZEINEK KÖZELÉBE.
- NE HELYEZZEN SEMMIT A KÉSZÜLÉK SZELLŐZŐNYÍLÁSAI KÖZELÉBE A HÁTLAGON.
- A FAGYASZTOTT CSOMAGOLT ÉLELMISZERT A GYÁRTÓ CÉG UTASÍTÁSAI SZERINT KELL TÁROLNI SZIGORÚAN BE KELL TARTANI A GYÁRTÓ TÁROLÁSRA VONATKOZÓ UTASÍTÁSAIT. OLVASSA EL AZ UTASÍTÁSOKAT.

- NE HELYEZZEN SZÉNSAVAS VAGY HABZÓ ITALOKAT A FAGYASZTÓTÉRBE, MERT EZEK NYOMÁST GYAKOROLNAK A TÁROLÓEDÉNYRE, AMELY ÍGY FELROBBANHAT ÉS A KÉSZÜLÉK KÁROSODÁSÁT OKOZHATJA.
- NE FOGYASSZON FAGYASZTOTT ÉLELMISZERT KÖZVETLENÜL KIEMELÉS UTÁN, MERT FENNÁLL A SÉRÜLÉSEK VESZÉLYE.
- NE HELYEZZE NAPSÜTÖTT HELYRE A KÉSZÜLÉKET.
- ÉGŐ GYERTYÁKAT, LÁMPÁKAT ÉS MÁŠ, NYÍLT LÁNGGAL MŰKÖDŐ ESZKÖZÖKET A TŰZKÉPZŐDÉS VESZÉLYE MIATT A KÉSZÜLÉKTŐL BIZTONSÁGOS TÁVOLSÁGBAN KELL HASZNÁLNI.
- A KÉSZÜLÉK ÉTELEK ÉS/VAGY ITALOK TÁROLÁSÁRA SZOLGÁL HÁZTARTÁSOKBAN, AZ ÚTMUTATÓ SZERINT. A KÉSZÜLÉK NEHÉZ. ÁTHELYEZÉSÉNÉL FOKOZOTT ÓVATOSSÁGRA VAN SZÜKSÉG.
- NE EMELJEN KI ÉS NE ÉRINTSEN MEG SEMMIT A FAGYASZTÓTÉRBEN VIZES VAGY NEDVES KÉZZEL. EZ FELSÉRTHETI A BŐRT VAGY FAGYÁSI SÉRÜLÉSEKET OKOZHAT.
- NEM SZABAD A KÉSZÜLÉKBE LÉPNI VAGY AZ ALJZATNÁL, AJTÓNÁL STB. FOGVA MEGEMELNI A KÉSZÜLÉKET.
- A FAGYASZTOTT ÉLELMISZERT KIOLVASZTÁS UTÁN NEM SZABAD ISMÉT LEFAGYASZTANI.
- NE FOGYASSZON JÉGKRÉMET VAGY JÉGKOCKÁKAT KÖZVETLENÜL KIEMELÉSÜK UTÁN A FAGYASZTÓBÓL, MERT FAGYÁSI SÉRÜLÉSEKET OKOZHATNAK AZ AJKAKON VAGY A SZÁJÜREGBEN.
- A BEHELYEZETT TÁRGYAK KIESÉSE, VALAMINT SÉRÜLÉSEK ÉS ANYAGI KÁROK MEGELŐZÉSE MIATT NEM SZABAD TŰLTERHELNI A REKESZKET ÉS TŰL SOK ÉTELT HELYEZNI A FIÓKOKBA.

SZERELÉS

FONTOS!

- A CSATLAKOZTATÁSNÁL AZ ELEKTROMOS HÁLÓZATHOZ BEKEL TARTANI AZ ÚTMUTATÓ UTASÍTÁSAIT. CSOMAGOLJA KI ÉS ELLENŐRIZZE A KÉSZÜLÉKET SÉRÜLÉSEK SZEMPONTJÁBÓL.
- SÉRÜLT KÉSZÜLÉKET NEM SZABAD CSATLAKOZTATNI. ILYEN ESETBEN ÉRTESÍTSE AZ ELADÓT ÉS ŐRIZZE MEG A CSOMAGOLÓANYAGOT.
- CSATLAKOZTATÁS ELŐTT HAGYJA ÁLLNI NÉHÁNY ÓRÁN ÁT A KÉSZÜLÉKET, EZ ELŐSEGÍTI AZ OLAJ EGYENLETES ELOSZLÁSÁT A KOMPRESSZORBAN.

A KÉSZÜLÉK KÖRÜL GONDOSKODNI KELL A JÓ LÉGÁRAMLÁSRÓL, KÜLÖNBEN TÚLMELEGEDHET. TARTSA BE A SZELLŐZÉSRE VONATKOZÓ SZERELÉSI UTASÍTÁSOKAT.

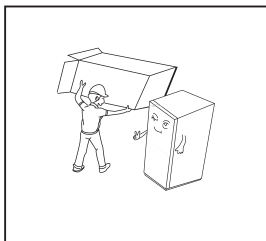
- A KÉSZÜLÉK HÁT LAPJA LEHETŐLEG NE LEGYEN TÚL KÖZEL A FALHOZ, ÉS NE ÉRJEN A FORRÓ RÉSZEKHEZ (KOMPRESSZOR, KONDENZÁTOR), MERT FENNÁLL A TŰZKÉPZŐDÉS VESZÉLYE. TARTSA BE A VONATKOZÓ SZERELÉSI UTASÍTÁSOKAT.
- NE HELYEZZE FŰTŐTESTEK ÉS GÁZTŰZHELYEK KÖZELÉBE A KÉSZÜLÉKET.
- SZERELÉS UTÁN GYŐZŐDJÖN MEG ARRÓL, HOGY A CSATLAKOZÓDUGÓ KÖNNYEN HOZZÁFÉRHETŐ.
- TÁROLJA GYERMEKEKTŐL TÁVOL AZ ÖSSZES CSOMAGOLÓANYAGOT, FENNÁLL A FULLADÁS VESZÉLYE.

- A HŰTŐSZEKRENY / FAGYASZTÓ BELSEJE AZ ELSŐ HASZNÁLAT ELŐTT SZAGOLHAT. EZ NORMÁLIS. A SZAG ELTŰNIK, AMINT A KÉSZÜLÉK HŰLNI/FAGYNI KEZD
- A HŰTŐSZEKRENY / FAGYASZTÓ CSATLAKOZTATÁSA ELŐTT ELLENŐRIZZE, HOGY A HÁLÓZATI FESZÜLTÉG MEGFELEL-E A HŰTŐSZEKRENY / FAGYASZTÓ CSATLAKOZTATÁSÁRA VONATKOZÓ KÖVETELMÉNYEKNEK. HA KÉTSÉGEI VANNAK, FORDULJON SZAKKÉPZETT VILLANYSZERELŐHÖZ
- A KÉSZÜLÉKET MEGFELELŐ FESZÜLTÉGŰ ALJZATHOZ KELL CSATLAKOZTATNI, ÉS MEGFELELŐEN BE KELL SZERELNI A BIZTOSÍTÉKOT
- A HŰTŐSZEKRENYT / FAGYASZTÓT TILOS A SZABADBAN ELHELYEZNI ÉS ESŐNEK KITENNI
- A HŰTŐSZEKRENYT / FAGYASZTÓT LEGALÁBB 50 CM-RE KELL ELHELYEZNI A FŰTŐTESTEKTŐL, FŰTŐCSÖVEKTŐL, GÁZVEZETÉKEKTŐL STB.
- HA A FAGYASZTÓVAL ELLÁTOTT HŰTŐSZEKRENY A FAGYASZTÓ MELLETT TALÁLHATÓ, AKKOR MIN. 2 CM TÁVOLSÁG
- NE TEGYEN NEHÉZ TÁRGYAKAT A HŰTŐSZEKRENYRE / FAGYASZTÓRA, NE TAKARJA LE
- A HŰTŐSZEKRENY / FAGYASZTÓ FELETT MIN. 150 MM SZABAD HELY
- HELYEZZEN KÉT MŰANYAG VEZETŐT A HŰTŐSZEKRENY / FAGYASZTÓ KONDENZÁTORÁRA, AMELYEK MEGAKADÁLYOZZÁK A FAL ÉS A KONDENZÁTOR ÉRINTKEZÉSÉT
- EZ A KÉSZÜLÉK HÁZTARTÁSI HASZNÁLATRA KÉSZÜLT, ÉS CSAK ÉLELMISZEREK HŰTÉSÉRE / FAGYASZTÁSÁRA ALKALMAS. NEM ALKALMAS KERESKEDELMI CÉLÚ FELHASZNÁLÁSRA ÉS / VAGY ÉLELMISZEREKEN KÍVÜLI ANYAGOK TÁROLÁSÁRA. A GYÁRTÓ NEM VÁLLAL FELELŐSÉGET A KÉSZÜLÉK NEM RENDELTETÉSSZERŰ HASZNÁLATÁBÓL EREDŐ KÁROKÉRT.

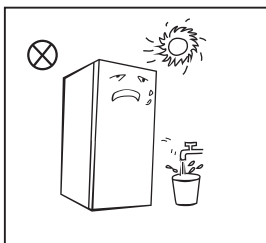
2. RÉSZ: A KÉSZÜLÉK HELYES HASZNÁLATA

Elhelyezés

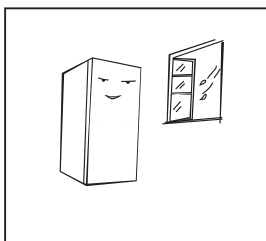
- Használat előtt távolítsa el minden csomagolóanyagot, beleértve a betéteket, habszivacs párnákat és hevedereket a készülék belsejében; tépje le a védőfóliát a készülék ajtajáról és testéről.



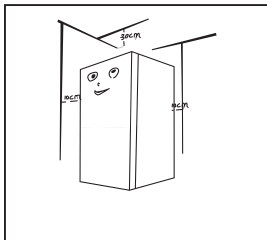
- Tartsa távol hőforrásoktól és közvetlen napfénytől. Ne helyezze a fagyasztókészüléket nedves vagy vizes helyre rozsdásodás vagy a szigetelő hatás csökkenésének veszélye miatt.
- Ne permetezzen vizet a készülékre és ne mossa le vízzel; ne helyezze olyan helyre, ahol könnyen le lehet fecskendezni vízzel, mert ez befolyásolná a készülék elektromos szigetelési tulajdonságait.



- A készüléket szellős helyiségben kell elhelyezni; a padlónak síknak és szilárdnak kell lennie (forgassa balra vagy jobbra a szintező lábakat, ha a készülék nem áll szilárdan).



- A készülék felett hagyjon több, mint 30 cm szabad teret, a készüléket lazán a fal mellé ajánlatos helyezni, legalább 10 cm távolságot hagyva a jó hőelvezetéshez.



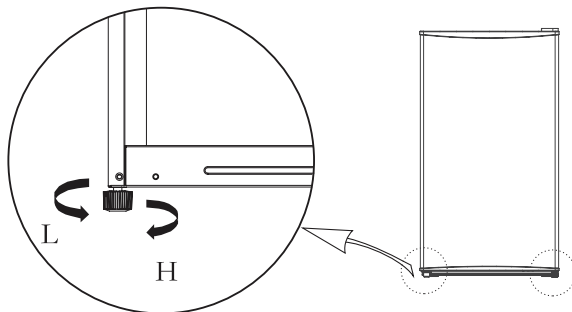
Óvintézkedések a telepítés előtt:

Az útmutató ábrái csak tájékoztató jellegűek. A fizikai termék változó lehet. A tartozékok felszerelése és beállítása előtt ellenőrizze, hogy a készülék le van-e választva az elektromos hálózatról.

Óvintézkedéseket kell tenni a fogantyú leesésének megakadályozására, ami személyi sérülést okozhat.

Szabályozólábak

A szabályozólábak sematikus rajza.







(A fenti kép csak tájékoztató jellegű. A tényleges konfiguráció a fizikai terméktől vagy a forgalmazó nyilatkozatától függ.)

A beállítás folyamata:

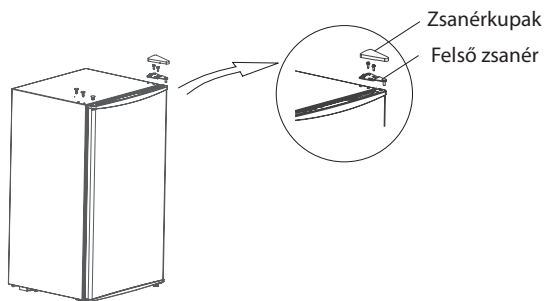
- a. Forgassa a lábakat az óramutató járásának irányában a készülék megemeléséhez;
- b. Forgassa az óramutató járásával szemben a készülék leeresztéséhez;
- c. A fentiek szerint állítsa be a jobb és bal lábat úgy, hogy a készülék vízszintesen álljon.

Az ajtónyitás irányának megváltoztatása

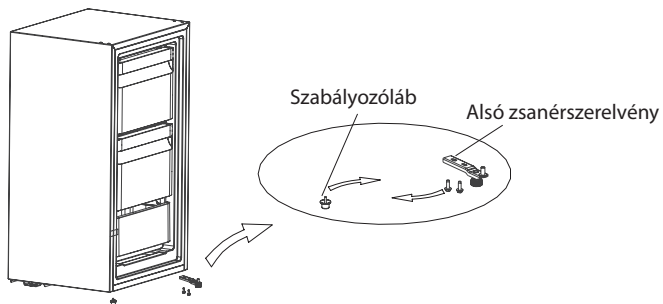
A felhasználó által biztosítandó szerszámok			
	Kereszt csavarhúzó		Spatula vagy vékony pengéjű csavarhúzó
	5/16" Csőkulcs		Maszkolószalag

Az ajtónyitás irányának megfordításához szükséges alkatrészek			
Szám	Név	Darab	Megjegyzés
1	Felső zsanér	1	Gyárilag a készülékbe szerelve, mindig használatos a nyitási irány megváltoztatásakor
2	Zsanérkupak	1	Gyárilag a készülékbe szerelve, mindig használatos a nyitási irány megváltoztatásakor
3	Menetes rögzítőcsavar	5	Gyárilag a készülékbe szerelve, mindig használatos a nyitási irány megváltoztatásakor
4	Nyílásfedél	1	Gyárilag a készülékbe szerelve, mindig használatos a nyitási irány megváltoztatásakor
5	Zsanércsap	2	Gyárilag a készülékbe szerelve, mindig használatos a nyitási irány megváltoztatásakor
6	Alsó zsanér-szerelvény	1	Gyárilag a készülékbe szerelve, mindig használatos a nyitási irány megváltoztatásakor
7	Szabályozóláb	1	Gyárilag a készülékbe szerelve, mindig használatos a nyitási irány megváltoztatásakor
8	Menetes csavar	1	Gyárilag a készülékbe szerelve, mindig használatos a nyitási irány megváltoztatásakor

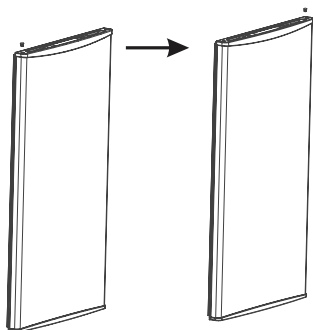
- 1) Kapcsolja ki a készüléket és vegyen ki mindent az ajtó rekeszeiből.
- 2) Szerelje le a zsanérkupakot, csavarokat és a felső zsanért, vegye ki a nyílásfedelelet és a csapokat a másik oldalról.



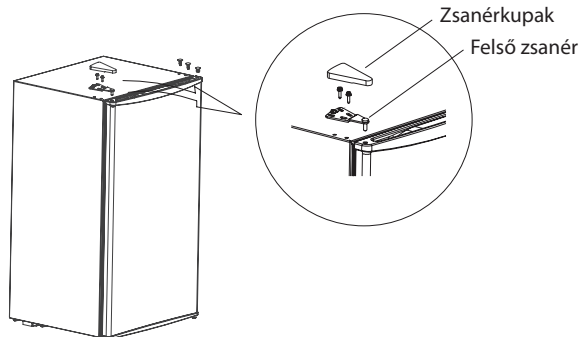
- 3) Először emelje le az ajtót, majd szerelje le az alsó zsanérszerelvényt és a szabályozólábát, cserélje fel az alsó zsanérszerelvény és szabályozóláb pozícióját és szerelje fel a részeket.



- 4) Vegye ki a nyílás fedelét az ajtó alatt, majd helyezze fel a fedelet a másik oldalon.



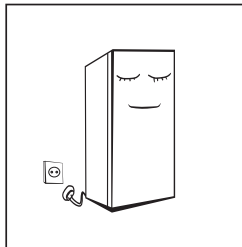
- 5) Helyezze az ajtót az alsó zsanérszerelvényre és fokozatosan szerelje fel a felső zsanért, zsanérkupakot, csapokat és a nyílásfedelelet.



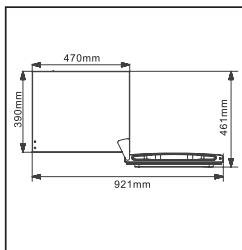
(A fenti kép csak tájékoztató jellegű. A tényleges konfiguráció a fizikai terméktől vagy a forgalmazó nyilatkozatától függ.)

Üzembe helyezés

- Az első üzembe helyezés előtt hagyja a hűtőszekrényt fél óráig üresen állni, mielőtt csatlakoztatná az elektromos hálózathoz.
- Bármilyen friss vagy fagyasztott élelmiszer betöltése előtt a hűtőszekrénynek 2-3 órát működni kell, nyáron, magas környezeti hőmérséklet esetén több, mint 4 órát.



- Biztosítson elég helyet az ajtók és fiókok kényelmes kinyitásához, vagy járjon el a forgalmazó utasításai szerint.



Energiatakarékossági tippek

- Helyezze a készüléket a helyiség leghűvösebb részébe minél távolabb a hőforrásoktól, fűtőcsövektől és közvetlen napsugaraktól.
- Hagyja kihűlni a forró ételt, mielőtt a készülékbe helyezné. Túlterhelés esetén a kompresszor hosszabb ideig működik. A nagyon lassan fagyó élelmiszer minősége lecsökkenhet, vagy az étel el is romolhat.
- Behelyezés előtt csomagolja be megfelelően az élelmiszert és törölje szárazra az edényeket. Ezzel lelassul a jégreteg képződése a hűtőszekrényben.
- A készülék kosarait nem szabad alufóliával, viaszos papírral vagy papírtörülkövel bélelni. Ezek a bevonatok meggátolják a hideg levegő akadálytalan áramlását, ezáltal csökken a készülék hatékonysága.
- Rendezze és jelölje meg az élelmiszert, ezzel csökkenteni lehet az ajtónyitások számát és a keresés is egyszerűbb lesz. Vegye ki egyszerre az összes szükséges tételt, és azonnal csukja be az ajtót.

Klímaosztály-táblázat

Osztály	Jelölés	Hőmérséklet-tartomány °C
Bővített mérsékelt	SN	+ 10 és + 32 között
Mérsékelt	N	+ 16 és + 32 között
Szubtrópusi	ST	+ 16 és + 38 között
Trópusi	T	+ 16 és + 43 között

Bővített mérsékelt:

ez a hűtőkészülék 10°C és 32°C közötti környező hőmérsékleti tartományban használható;

Mérsékelt:

ez a hűtőkészülék 16°C és 32°C közötti környező hőmérsékleti tartományban használható;

Szubtrópusi:

ez a hűtőkészülék 16°C és 38°C közötti környező hőmérsékleti tartományban használható;

Trópusi:

ez a hűtőkészülék 16°C és 43°C közötti környező hőmérsékleti tartományban használható;

Ha a készülék a megszabott klímaosztály (környező hőmérsékleti tartomány) határértékein kívül üzemel, előfordulhat, hogy nem lesz képes kielégítő állandó hőmérsékletet fenntartani.

Az új európai szabványhoz

- A táblázatban szereplő megrendelt alkatrészek a hivatalos forrásból szerezhetők be:

Megrendelt rész	Forrás	Minimális beszerzési idő
termosztátok	Professzionális karbantartó személyzet.	Legalább 7 évig a legújabb modell megjelenése után.
hőmérséklet-érzékelők	Professzionális karbantartó személyzet.	Legalább 7 évig a legújabb modell megjelenése után.
nyomtatott áramkörök	Professzionális karbantartó személyzet.	Legalább 7 évig a legújabb modell megjelenése után.
ajtófogantyúk	Professzionális karbantartók és végfelhasználók.	Legalább 7 évig a legújabb modell megjelenése után.
ajtópántok	Professzionális karbantartók és végfelhasználók.	Legalább 7 évig a legújabb modell megjelenése után.
rekeszek	Professzionális karbantartók és végfelhasználók.	Legalább 7 évig a legújabb modell megjelenése után.
kosarak	Professzionális karbantartók és végfelhasználók.	Legalább 7 évig a legújabb modell megjelenése után.
ajtótömítések	Professzionális karbantartók és végfelhasználók.	Legalább 10 évig a legújabb modell megjelenése után.

- Az eladás utáni alkatrészek szállításának legrövidebb határideje 15 munkanap.
- A termékadatbázisban található modellinformációk és modellazonosítók a QR kód (ha van) leolvasásával érhetők el a termék energiahatékonysági címkéjén.

Tisztelt vásárlónk,

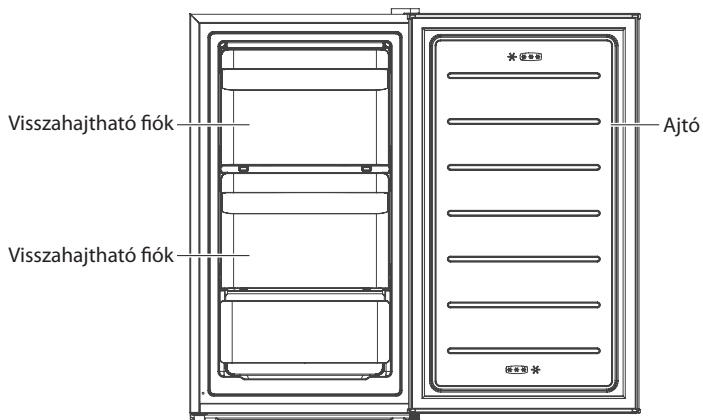
- A termék visszaküldéséhez vagy cseréjéhez lépjen kapcsolatba azzal az üzlettel, ahol a terméket vásárolta. (Ne felejtse magával vinni a vásárlást igazoló bizonylatot.)
- Ha a termék meghibásodik és javításra szorul, forduljon a vevőszolgálathoz.

Telefon:

E-mail cím:

3. RÉSZ: A KÉSZÜLÉK ÉS FUNKCIÓJÁNAK LEÍRÁSA

A készülék fő részei



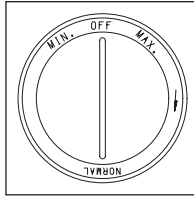
(A fenti kép csak tájékoztató jellegű. A tényleges konfiguráció a fizikai terméktől vagy a forgalmazó nyilatkozatától függ.)

Fagyasztótér

- Az alacsony hőmérsékletű fagyasztó az élelmiszereket hosszú ideig frissen tudja tartani, és főként fagyasztott ételek tárolására és jégkészítésre használatos.
- Energiatakarékossági szempontból az ételt a legjobb az alsó fiókba tenni.
- A fagyasztótér hús, hal, rizsgolyók és egyéb olyan élelmiszer tárolására alkalmas, amely nem lesz elfogyasztva rövid időn belül.
- A nagy húsdarabokat lehetőleg kisebb részekre kell darabolni behelyezés előtt, ez előnyösebb a gyors fagyasztás és kiolvasztás szempontjából.

Megjegyzés: Ha a termék üzembe helyezésénél rögtön nagyon nagy mennyiségű élelmiszer kerül behelyezésre, az hátrányosan befolyásolhatja a fagyasztó hatást. A tárolt élelmiszer nem zárhatja el a levegőkimenetet; ez negatívan befolyásolja a fagyasztó hatást.

Termosztátgomb



- A termosztátgombon levő „MIN, NORMAL, MAX és OFF” jelölések a hőmérsékletszinteket mutatják.
„MIN.” a legmelegebb beállítás;
„MAX.” a leghidegebb beállítás;
Szokványos használathoz a „NORMAL” beállítást javasoljuk.
Javasolt beállítás: „NORMAL”

4. RÉSZ: A KÉSZÜLÉK ÁPOLÁSA ÉS KARBANTARTÁSA

Tisztítás

- A port a hűtőszekrény mögül és a padlóról időben el kell távolítani a hűtőhatékonyság növelése és az energiatakarékosság érdekében.
- Rendszeresen ellenőrizni kell az ajtó tömítését, hogy ne maradjanak rajta ételmaradványok. Tisztítsa meg a tömítést szappanos vagy mosogatószeres vízbe mártott puha ronggyal.
- A hűtőszekrény belső terét rendszeresen meg kell tisztítani a kellemetlen szagok megelőzése végett.
- Tisztítás előtt kapcsolja ki a készülék tápellátását, vegye ki az összes élelmiszert, italt, polcokat, rekeszeket stb.
- A hűtőszekrény belső részének tisztításához használjon egy puha rongyot vagy szivacsot két kanál szóda és egy liter meleg víz oldatával. Ezután öblítse ki vízzel a belső teret és törölje szárazra. Tisztítás után nyissa ki a készülék ajtaját, és hagyja kiszáradni a tápellátás bekapcsolása előtt.
- A hűtőszekrény nehezen tisztítható részeit (mint a rések, sarkok) ajánlatos rendszeresen megtisztítani egy puha szövetvel, puha kefével stb. Szükség esetén más eszközök (pl. vékony pálcikák) használata is megengedett a tisztításhoz annak érdekében, hogy a kérdéses részeken ne halmozódjanak fel a szennyeződések vagy baktériumok.
- Ne használjon szappant, tisztítószert, tisztítóport, spray tisztítót stb., mert ezek az eszközök szagképződést vagy élelmiszer-szennyeződést okozhatnak.
- A palacktartók, polcok és rekeszek tisztítása meleg szappanos vagy mosogatóvízbe mártott puha szövetvel javasolt. Törölje szárazra egy puha szövetvel, vagy hagyja kiszáradni.
- Törölje át a hűtőszekrény külső felületét meleg szappanos vagy mosogatóvízbe mártott puha szövetvel, majd törölje szárazra.
- Ne használjon kemény kefét, drótkéfét, csiszoló szereket (p. fogkrémet), szerves hígítókat (pl. alkohol, aceton, banánolaj stb.), forrásban levő vizet, savas vagy lúgos szereket, amelyek megrongálhatják a hűtőszekrény felületét vagy a belső teret. A forrásban levő víz és a szerves hígítószer, pl. benzol hatására a készülék műanyag részei eltorzulhatnak vagy megsérülhetnek.
- Tisztítás közben ne öblítse le közvetlenül vízzel vagy más folyadékkal a hűtőszekrényt, mert ez rövidzárlatot okozhat vagy az elektromos szigetelés meghibásodásához vezethet.



Leolvasztás vagy tisztítás előtt mindig áramtalanítani kell a készüléket!

Leolvasztás

- Válassza le az áramellátást.
- Vegye ki az élelmiszert a készülékből, és helyezze el megfelelően, hogy az étel ne olvadjon ki.
- Tisztítsa meg a lefolyócsövet (használgjon puha anyagot, hogy ne sérüljön meg a betét). Készítsen elő tálakat a leolvasztáshoz.
(Óvatosan tisztítsa meg a vízleeresztő edényt a kompresszor környékén. Ügyeljen, nehogy a víz a padlóra szivároгjon).
- A készüléket természetes hőmérsékleten is le lehet olvasztani, használjon egy műanyag vagy fa spatulát a jég réteg eltávolításához, hogy ne sérüljön a betét vagy a cső.
- Megfelelő mennyiségű forró vizet is használhat a leolvasztás felgyorsításához, kiolvadás után törölje fel egy száraz törölrönggyel a vizet.
- Kiolvasztás után tegye vissza az élelmiszert a készülékbe és kapcsolja be a készüléket.

Használaton kívül

- Az áramszolgáltatás kiesése: Áramszünet esetén, még nyáron is, a készülék belsejében levő élelmiszert még órákon át lehet tárolni; áramkiesés esetén le kell rövidíteni az ajtónyitások számát és nem szabad friss élelmiszert behelyezni a készülékbe.
- Ha hosszabb ideig nem használja majd a készüléket: válassza le az elektromos hálózatról, ürítse ki a belső részt és tisztítsa ki. Hagyja megnyitva a készülék ajtaját a kellemetlen szagok megelőzése miatt.
- A készülék áthelyezése: A hűtőszekrény áthelyezése előtt vegyen ki mindent a belső térből, rögzítse ragasztószalaggal a zöldségtároló fiókot, a fagyasztótér fiókjait stb. és csavarozza be a szabályozólábakat; csukja be az ajtót és ragassza le ragasztószalaggal. Szállítás közben nem szabad fejfelé fordítani vagy vízszintesen lefektetni a készüléket, és nem szabad kitenni rezgések hatásának sem; a billentési szög az áthelyezésnél legfeljebb 45 ° lehet. Áthelyezésnél nem szabad az ajtónál és zsanéroknál fogva megemelni.

Bekapcsolás után a készüléknek megállás nélkül üzemelnie kell. Általánosságban véve a készülék működését nem szabad megszakítani; ellenkező esetben lerövidülhet az élettartama.

5. RÉSZ: HIBAE LHÁRÍTÁS

A következő egyszerű problémák könnyen megoldhatók.
Ha nem sikerült, forduljon egy szervizközpontozhoz.

Probléma	Lehetséges ok és megoldás
A készülék nem működik.	Győződjön meg arról, hogy a készülék csatlakoztatva van az elektromos hálózathoz, vagy hogy a csatlakozódugó jól érintkezik-e a hálózati aljzattal. Ellenőrizze, hogy a hálózati feszültség nem túl alacsony-e. Ellenőrizze, hogy nincs-e áramkiesés vagy részleges áramköri leállás.
Kellemetlen szag.	Az aromatikusan ízeletet jól be kell csomagolni. Ellenőrizze, hogy nincs-e romlott élelmiszer a készülékben. Tisztítsa meg a készülék belsejét.
Túl sokáig megy a kompresszor.	A hosszú működés normális nyáron, magas környezeti hőmérsékletnél. Ne tegyen egyszerre sok élelmiszert a készülékbe. Az élelmiszereknek le kell hűlnie behelyezés előtt. A készülék ajtaja nagyon gyakran nyitva van.
Nem lehet jól becsukni az ajtót.	Az ajtókhöz csomagolóanyag tapad. Sok élelmiszer van a készülékben. A hűtőszekrény nem áll vízszintesen.
Túl zajos.	Győződjön meg arról, hogy a padló vízszintes, és a hűtőszekrény stabil. Ellenőrizze, hogy a készülék tartozékai a megfelelő helyen vannak-e.
A tömítés nem ül rendesen.	Távolítsa el az idegen tárgyakat az ajtó tömítéséről. Melegítse fel az ajtó tömítést, majd hűtse le a helyreállításához (vagy melegítse meg egy hajszárítóval, vagy használjon forró törülközőt a melegítéshez).
Kifolyik a víz a víztartályból.	Sok élelmiszer van bent, vagy a tárolt élelmiszer sok vizet tartalmaz, ami erős olvadáshoz vezet. Az ajtó nincs jól becsukva, a levegő beáramlása jegesedést okoz és a leolvadtas miatt megemelkedik a vízszint.
Forrók a készülék oldalfalai.	A beépített kondenzátor hőleadása a készülék felületén keresztül, ami normális. Ha a készülék felülete felmelegszik a magas környezeti hőmérséklet, nagy mennyiségű élelmiszer tárolása vagy a kompresszor kikapcsolása miatt, gondoskodjon megfelelő szellőzésről a hőelvezetés elősegítése érdekében.
Lecsapódik a víz a felületen.	A pára lecsapódása a készülék ajtajának külső felületén és tömítéseiben normális jelenség magas környezeti páratartalom esetén. Törölje le a kondenzvizet egy tiszta szövettel.
Szokatlan hangok.	Morajlás: A kompresszor morajlása működés közben, különösen indításkor vagy leállításkor hangos. Ez normális jelenség. Recsegés: A készülék belsejében áramló hűtőközeg hangja, normális jelenség.

Tárolási utasítások

Kérjük, tartsa be az alábbi utasításokat az élelmiszer-szennyeződés elkerülése érdekében.

- A hosszantartó ajtónyitás következtében jelentősen emelkedhet a belső tér hőmérséklete.
- Rendszeresen meg kell tisztítani az élelmiszerrel és a vízvezető rendszerekkel érintkező felületeket.
- A nyers húst és halat megfelelő tartályokban kell tárolni a hűtőszekrényben, hogy ne érintkezzenek más élelmiszerrel, és ne szivároгjon belőlük a folyadék.
- A kétcillagos ** fagyasztórekeszek előfagyasztott élelmiszer, fagylalt és jégkocka készítésére vagy tárolására szolgálnak.
- Az egy *, kettő ** vagy három *** csillaggal jelölt rekeszek nem alkalmasak friss élelmiszer fagyasztásához.

Sz.	Tárolótér	Tároló célhőmérséklet [°C]	Élelmiszer típusa
1	Hűtőszekrény	+2 ~ +8	Tojás, főtt ételek, csomagolt ételek, gyümölcs és zöldség, tejtermékek, sütemények, italok és más, fagyasztásra nem alkalmas élelmiszer.
2	(***)*- Fagyasztó	≤ -18	Tenger gyümölcsei (halak, rákok, kagylók), friss termékek édesvízi halakból és hústermékek (javasolt tárolási idő 3 hónap, a tárolási idő meghosszabbításával arányosan romlik a termék íze és tápértéke), frissen fagyasztott élelmiszer.
3	***- Fagyasztó	≤ -18	Tenger gyümölcsei (halak, rákok, kagylók), friss termékek édesvízi halakból és hústermékek (javasolt tárolási idő 3 hónap, a tárolási idő meghosszabbításával arányosan romlik a termék íze és tápértéke), frissen fagyasztott élelmiszer.
4	**_- Fagyasztó	≤ -12	Tenger gyümölcsei (halak, rákok, kagylók), friss termékek édesvízi halakból és hústermékek (javasolt tárolási idő 2 hónap, a tárolási idő meghosszabbításával arányosan romlik a termék íze és tápértéke), frissen fagyasztott élelmiszer.
5	*- Fagyasztó	≤ -6	Tenger gyümölcsei (halak, rákok, kagylók), friss termékek édesvízi halakból és hústermékek (javasolt tárolási idő 1 hónap, a tárolási idő meghosszabbításával arányosan romlik a termék íze és tápértéke), frissen fagyasztott élelmiszer.
6	0 - csillag	-6 ~ 0	Friss sertéshús, marhahús, halak, csirkehús, néhány csomagolt késztermék stb. (Javasolt fagaszтás ugyanazon a napon, lehetőleg ne tárolja 3 napnál hosszabb ideig). Részben csomagolt készételek (nem fagyaszтható ételek).

7	Hűtés	-2 ~ +3	Friss/fagyasztott sertéshús, marhahús, csirkehús, friss termékek édesvízi halakból stb. (7 nap 0 °C alatt, 0 °C feletti hőmérsékletnél javasolt a még aznapi fogyasztás, lehetőleg ne tárolja 2 napnál hosszabb ideig). Tenger gyümölcsei (0 °C alatt 15 napig, a 0 °C feletti tárolás nem ajánlott).
8	Friss élelmiszer	0 ~ +4	Friss sertéshús, marhahús, hal, csirkehús, főtt ételek stb. (Javasolt fogyasztás ugyanazon a napon, lehetőleg ne tárolja 3 napnál hosszabb ideig)
9	Bor	+5 ~ +20	Vörösbor, fehér bor, pezsgő bor stb.

Megjegyzés: Tárolja a különböző élelmiszereket a megfelelő tárolóterekben, vagy a vásárolt termék ajánlott tároló hőmérséklete szerint.

- Ha hosszabb ideig üresen marad a készülék, kapcsolja ki, olvassa le, tisztítsa meg, szárítsa ki és hagyja nyitva az ajtaját a penészképződés meggátolásához.

Rész élelmiszerek elhelyezése a készülékben

- A burgonyát, a hagymát és a fokhagymát nem szabad hűtőszekrényben / fagyaszttóban tárolni
- Normál körülmények között a hűtőszekrényben a hőmérséklet beállítása + 4 °C-ra elegendő
- A hűtőszekrény hőmérsékletének 0 °C és 8 °C között kell lennie. 0 °C alatt tárolt friss ételek megfagynak, elrothadnak. A baktériumok terhelése 8 °C felett tárolva növekszik, és az étel romlik
- Ne tegyen forró vagy meleg ételt a hűtőszekrénybe / fagyaszttóba, várja meg, amíg szobahőmérsékletre hűl. A meleg ételek megemelik a hőmérsékletet a hűtőszekrényben / fagyaszttóban, és szükségtelen romlást és esetleges ételmérgezést okozhatnak.
- A húst, halat stb. Erre a célra kijelölt hűtött rekeszben kell tárolni - ha van ilyen
- A gyümölcsöket és zöldségeket egy erre kijelölt hűtött rekeszben kell tárolni - ha vannak ilyenek
- A hűskészítmények baktériumokkal való szennyeződésének elkerülése érdekében ne tároljon gyümölcsöt és zöldséget közös rekeszben. Ugyanez a helyzet fordított esetben is: a gyümölcsök és zöldségek szennyeződése hűskészítményekből származó baktériumokkal.

6. RÉSZ: TERMÉKLEAP

Termékleap

PHILCO 

A BIZOTTSÁG FELHATALMAZÁSON ALAPULÓ RENDELETE (EU) 2019/2016

A gyártó neve vagy védjegye: PHILCO

A gyártó székhelye: FAST ČR, a.s., U Sanitatu 1621, Říčany 251 01, Czech Republic

Modellszám: PTF 60 EW

Hűtőberendezés-típus: Mélyhűtő

Alacsony zajszintű készülék: Nem Készülék típusa: szabadon álló

Bortároló készülék: Nem Más hűtőkészülékek: Igen

Más hűtőkészülékek:

Paraméter	Érték	Paraméter	Érték
Méretek mm	Magasság	Teljes térfogat (dm ³ vagy l)	60
	Szélesség		
	Mélység		
Energiahatékonysági index (EEI)	100	Energiahatékonysági osztály*	E
Zajkibocsátás akusztikus hang (dB(A) re 1 pW)	41	Akusztikus zajkibocsátás osztálya	C
Éves energiafogyasztás (kWh/év)	156	Klimatikus osztály:	mérsékelt, szubtrópusi
Minimális környező hőmérséklet (°C), melynél használható a hűtőberendezés	16	Maximális környező hőmérséklet (°C), melynél használható a hűtőberendezés	38
Készülék beállítása télre	Nem		

A tér paraméterei

Tér típusa		A hűtőtér paraméterei és értékei			
		Készülék térfogata (dm ³ vagy l)	Javasolt hőmérséklet-beállítások optimalizált élelmiszer-tároláshoz (°C)	Fagyasztó-térfogat (kg/24h)	Leolvasztás típusa: (önleolvasztó = A kézi leolvasztás = M)
Kamra/spájz	Nem	-	-	-	-
Bortárolás	Nem	-	-	-	-
Pincehelyiség	Nem	-	-	-	-

Friss élelmiszer	Nem	-	-	-	-
Fagyasztótér	Nem	-	-	-	-
0-csillag vagy jégkészítő	Nem	-	-	-	-
1-csillag	Nem	-	-	-	-
2-csillag	Nem	-	-	-	-
3-csillag	Nem	-	-	-	-
4-csillag	Igen	60,0	- 18	6,0	M
2-csillagos tér	Nem	-	-	-	-
Fiók váltakozó hőmérséklettel	Nem	-	-	-	-
4-csillagos rekeszek esetében					
Gyorsfagyasztási lehetőség			Nem		
Fényforrás paraméterei:					
Fényforrás típusa			-		
Energiahatékonysági osztály			-		
A gyártó által biztosított minimális garancia: 24 hónap					
Kiegészítő információk:					
Weblink a gyártó weboldalára a 4. pontban ismertetett információkkal (és) a Komisszió (EU) 2019/2022 rendeletének mellékletével, forrás: www.philco.cz					

* A (legnagyobb hatékonyság) - G (legkisebb hatékonyság)

MŰSZAKI INFORMÁCIÓK

A műszaki információka készülék belsejében található típustáblán és az energiacímkén található. A mellékelt energiacímkén található QR-kód tartalmaz egy linket a készülék regisztrálására az EU Eprei adatbázisában. Őrizze meg az energiacímkét, a használati utasítást, valamint a készülékhez kapott egyéb dokumentumokat.

VIZSGÁLATI INFORMÁCIÓK

A leszállított készülék megfelel az EcoDesign és az EN62552 szabványoknak. A készülék helyes működéséhez, a faltól való minimális távolsághoz és a készülék méretéhez szükséges légi hozzáférési követelmények a kézikönyv részét képezik. További kérdéseivel forduljon a gyártóhoz.

ÜGYFÉLKÖRNYEZET ÉS SZOLGÁLTATÁS

Mindig eredeti pótalkatrészeket használjon.

A modellnév és a sorozatszám a típuslapon található. A típuslap helyzete előzetes figyelmeztetés nélkül megváltozhat.

Az eredeti pótalkatrészek néhány konkrét komponenshez legalább 7-10 évig rendelkezésre állnak.

Ez a komponens típusától és az adott modell utolsó készüléke forgalomba hozatalának idejétől függ.

Amikor kapcsolatba lép a hivatalos szervizünkkel, rendelkezésére kell bocsátani a modell megnevezését, a sorozatszámot és a hibaleírást.

Dokumentumok letöltéséhez látogasson el a www.philco.hu oldalra.

Ha hibát szeretne jelenteni, és további szolgáltatási információkat szeretne kapni, látogasson el a www.philco.hu/tamogatas-szerviz.

Előzetes értesítés nélkül változtatható.

A CSOMAGOLÓANYAG SELEJTEZÉSÉRE VONATKOZÓ SZABÁLYOK ÉS TUDNIVALÓK

A csomagolóanyagokat nyilvános hulladék-értékesítő telepekre kell szállítani.

A HASZNÁLT ELEKTROMOS ÉS ELEKTRONIKUS KÉSZÜLÉKEK SELEJTEZÉSE



Ez az ikon azt jelenti, hogy a készülék az EU államaiban nem selejtezhető a háztartási hulladékkal együtt. A felelősségteljes hulladékselejtezés és a nyersanyagok újrahasznosítása megelőzi az esetleges negatív kihatásokat a környezetre és az emberi egészségre. Szállítsa el a helyi gyűjtőtelepre a selejtezésre szánt régi készüléket, vagy lépjen kapcsolatba a termék vízszinteladóval, aki egy új termék vásárlása esetén ugyancsak átveheti Öntől a készüléket, és gondoskodik majd a termék helyes és biztonságos selejtezéséről. Részletes információkkal a helyi hivatal vagy a hulladékgyűjtő telep is szolgálhat. A nem megfelelő selejtezés büntetést vonhat maga után az állami előírások és szabványok értelmében.

Jogi személyek az EU területén

Az elektromos vagy elektronikus készülék selejtezése előtt forduljon segítségért az eladóhoz vagy forgalmazóhoz.

Selejtezés nem EU államokban

Az elektromos vagy elektronikus készülék selejtezése előtt forduljon segítségért a helyi hivatalhoz vagy a termék forgalmazójához.



Ez a termék megfelel az EU valamennyi vonatkozó irányelvének.

A gyártó fenntartja a szöveg, dizájn és műszaki adatok előzetes figyelmeztetés nélküli változtatásának jogát.



VIGYÁZAT! HASZNÁLAT, ÁPOLÁS ÉS SELEJTEZÉS KÖZBEN SZENTELJEN FIGYELMET A BAL OLDALON FELTÜNTETETT, VAGY HASONLÓ JELZÉSNEK A KÉSZÜLÉK HÁTSÓ RÉSZÉN (HÁTLAG VAGY KOMPRESSZOR), SÁRGA VAGY NARANCSÁRGA SZÍNBEN.



EZ A TŰZVESZÉLY SZIMBÓLUMA. A CSŐVEZETÉK ÉS A KOMPRESSZOR GYŰLÉKONY ANYAGOKAT TARTALMAZ. HASZNÁLAT, ÁPOLÁS ÉS SELEJTEZÉS KÖZBEN TARTSA TÁVOL A KÉSZÜLÉKET MINDEN TŰZFORRÁSTÓL!

Výrobce/Manufacturer:
Fast ČR, a.s.
U Sanítasu 1621
Říčany 251 01, CZECH REPUBLIC

Distributor:
FAST PLUS, a.s.
Na pántoch 18
831 06 Bratislava, SLOVAKIA

Distributor:
FAST POLAND Sp. z o. o.
Kwietniowa 36
05-090 Wypędy, POLAND

Distributor:
FAST HUNGARY Kft.
H-2310 Szigetszentmiklós
Kántor utca 10, HUNGARY

PHILCO[®] 

is a pending or registered trademark of Electrolux Home Products, Inc. and used under a license from Electrolux Home Products, Inc.