

REFRIGERATOR-FREEZER

USER'S MANUAL

PHILCO



Famous for Quality the World Over

PC 173 ENW

PC 173 ENX

**Dear customer,
Thank you for buying a PHILCO brand product. So that your appliance serves you well, please read all the instructions in this user's manual.**

CONTENTS

PART 1: SAFETY INFORMATION.....	2
PART 2: INSTALL INSTRUCTION.....	13
PART 3: PRODUCT OVERVIEW	20
PART 4: OPERATION INSTRUCTIONS	21
PART 5: MAINTENANCE AND CLEANING.....	23
PART 6: TROUBLESHOOTING	26
PART 7: PRODUCT INFORMATION SHEET	29



This appliance has been tested in accordance with the directives in force in the European Union.
This appliance conforms to the relevant safety provisions for electrical appliances in force in the European Union.

PART 1: SAFETY INFORMATION

1.1 General Safety Warnings



FOR YOUR SAFETY AND CORRECT USAGE, BEFORE INSTALLING AND FIRST USING THE APPLIANCE, READ THIS USER MANUAL CAREFULLY, INCLUDING ITS HINTS AND WARNINGS. TO AVOID UNNECESSARY MISTAKES AND ACCIDENTS, IT IS IMPORTANT TO MAKE SURE THAT ALL PEOPLE USING THE APPLIANCE ARE THOROUGHLY FAMILIAR WITH ITS OPERATION AND SAFETY FEATURES. SAVE THESE INSTRUCTIONS AND BE SURE THAT THEY REMAIN WITH THE APPLIANCE IF IT IS MOVED OR SOLD, SO THAT ANYONE USING IT THROUGHOUT ITS LIFE, WILL BE PROPERLY INFORMED ON ITS USAGE AND SAFETY NOTICES. FOR THE SAFETY OF LIFE AND PROPERTY, KEEP THE PRECAUTIONS OF THESE USER'S INSTRUCTIONS AS THE MANUFACTURER IS NOT RESPONSIBLE FOR DAMAGES CAUSED BY OMISSION.

- THIS APPLIANCE CAN BE USED BY CHILDREN AGED FROM 8 YEARS AND ABOVE AND PERSONS WITH REDUCED PHYSICAL, SENSORY OR MENTAL CAPABILITIES OR LACK OF EXPERIENCE AND KNOWLEDGE IF THEY HAVE BEEN GIVEN SUPERVISION OR INSTRUCTION CONCERNING USE OF THE APPLIANCE IN A SAFE WAY AND UNDERSTAND THE HAZARDS INVOLVED.
- CHILDREN AGED FROM 3 TO 8 YEARS ARE ALLOWED TO LOAD AND UNLOAD REFRIGERATING APPLIANCES.
- CHILDREN SHALL NOT PLAY WITH THE APPLIANCE.
- CLEANING AND USER MAINTENANCE CANNOT BE PERFORMED BY CHILDREN WITHOUT SUPERVISION.

- IF THE SUPPLY CABLE GETS DAMAGED, HAVE IT REPLACED BY A SPECIALIZED SERVICE CENTER IN ORDER TO AVOID DANGEROUS SITUATIONS. IT IS PROHIBITED TO USE THE APPLIANCE WHEN THE SUPPLY CABLE IS DAMAGED.

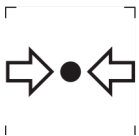
- **WARNING:** THE VENTILATION OPENINGS IN THE APPLIANCE HOUSING OR IN ITS CONSTRUCTION MUST BE KEPT FREE.

- **WARNING:** DO NOT USE MECHANICAL DEVICES OR OTHER MEANS TO ACCELERATE THE DEFROSTING PROCESS, OTHER THAN THOSE RECOMMENDED BY THE MANUFACTURER.

- **WARNING:** DO NOT DAMAGE THE REFRIGERANT CIRCUIT.

- **WARNING:** DO NOT USE ELECTRICAL APPLIANCES INSIDE THE FOOD STORAGE COMPARTMENTS OF THE APPLIANCE, UNLESS THEY ARE OF THE TYPE RECOMMENDED BY THE MANUFACTURER.

- **WARNING:** DO NOT STORE EXPLOSIVE SUBSTANCES SUCH AS AEROSOL CANS WITH A FLAMMABLE PROPELLANT IN THIS APPLIANCE.



ISO 7000-1701 MARK (2004-01)
LABELS MEDIA UNDER PRESSURE.

THIS APPLIANCE IS INTENDED TO BE USED IN HOUSEHOLDS AND SIMILAR PREMISES, SUCH AS:

- KITCHENETTES IN SHOPS, OFFICES AND OTHER WORKPLACES;
- APPLIANCES USED BY GUESTS IN HOTELS, MOTELS, AND OTHER ACCOMMODATION FACILITIES;
- APPLIANCES USED IN BED-AND-BREAKFAST FACILITIES;
- APPLIANCES USED IN CATERING AND OTHER SIMILAR NON-VENDING ENVIRONMENTS.

● **CAUTION:** THE APPLIANCE MUST BE FASTENED IN ACCORDANCE WITH THE MANUAL TO PREVENT DANGER CAUSED BY ITS INSTABILITY.



WARNING :
RISK OF FIRE / FLAMMABLE MATERIALS

CONTAINS COOLING GAS ISOBUTANE

R600a

REFRIGERANT

THE REFRIGERANT ISOBUTENE (R600a) IS CONTAINED WITHIN THE REFRIGERANT CIRCUIT OF THE APPLIANCE, A NATURAL GAS WITH A HIGH LEVEL OF ENVIRONMENTAL COMPATIBILITY, WHICH IS NEVERTHELESS FLAMMABLE. DURING TRANSPORTATION AND INSTALLATION OF THE APPLIANCE, ENSURE THAT NONE OF THE COMPONENTS OF THE REFRIGERANT CIRCUIT BECOMES DAMAGED. THE REFRIGERANT (R600a) IS FLAMMABLE.

● **WARNING** — REFRIGERATORS CONTAIN REFRIGERANT AND GASES IN THE INSULATION. REFRIGERANT AND GASES MUST BE DISPOSED OF PROFESSIONALLY AS THEY MAY CAUSE EYE INJURIES OR IGNITION. ENSURE THAT TUBING OF THE REFRIGERANT CIRCUIT IS NOT DAMAGE PRIOR TO PROPER DISPOSAL.



THE SYMBOL  IS A WARNING AND INDICATES THE REFRIGERANT AND INSULATION BLOWING GAS ARE FLAMMABLE.

WARNING : RISK OF FIRE / FLAMMABLE MATERIALS

IF THE REFRIGERANT CIRCUIT SHOULD BE DAMAGED:

- AVOID OPENING FLAMES AND SOURCES OF IGNITION.
- THOROUGHLY VENTILATE THE ROOM IN WHICH THE APPLIANCE IS SITUATED.

IT IS DANGEROUS TO ALTER THE SPECIFICATIONS OR MODIFY THIS PRODUCT IN ANY WAY.

ANY DAMAGE TO THE CORD MAY CAUSE A SHORT CIRCUIT, FIRE, AND/OR ELECTRIC SHOCK.

● **CAUTION:** WHEN PLACING THE APPLIANCE IT MUST BE ENSURED THAT THE SUPPLY CORD DOES NOT GET CAUGHT OR DAMAGED.

● **CAUTION:** DO NOT PLACE PORTABLE MULTIPLE SOCKET-OUTLETS OR PORTABLE EXTENSION CABLES TO THE REAR SIDE OF THE APPLIANCE.

CONTACT THE SERVICE CENTRE FOR REPAIRS OR LIGHTING REPLACEMENT.

● OPENING THE DOOR FOR LONGED PERIODS OF TIME CAN CAUSE A SIGNIFICANT INCREASE IN TEMPERATURE WITHIN THE APPLIANCE.

● SURFACES THAT MAY COME INTO CONTACT WITH FOOD AND ACCESSIBLE DRAINAGE SYSTEMS SHOULD BE CLEANED REGULARLY.

● IN THE REFRIGERATOR, RAW MEAT AND FISH MUST BE STORED IN APPROPRIATE PACKAGING SO THAT THEY DON'T COME INTO CONTACT WITH OTHER FOOD OR DRIP ONTO IT.

● TWO STAR FREEZER COMPARTMENTS ARE SUITABLE FOR STORING PRE-FROZEN FOODS, FOR STORING OR PRODUCTION OF ICE CREAM AND FOR PRODUCTION OF ICE CUBES.

● ONE, TWO AND THREE STAR COMPARTMENTS ARE NOT SUITABLE FOR FREEZING FRESH FOOD.

IF THE COOLING APPLIANCE IS LEFT EMPTY FOR A LONGER PERIOD OF TIME, IT SHOULD BE SWITCHED OFF, DEFROSTED, CLEANED AND DRIED AND THE DOOR SHOULD BE LEFT OPEN TO PREVENT MOULD FROM FORMING INSIDE THE APPLIANCE.



ELECTRICAL SAFETY

1. THE POWER CORD MUST NOT BE LENGTHENED.
2. MAKE SURE THAT THE POWER PLUG IS NOT CRUSHED OR DAMAGED.
A CRUSHED OR DAMAGED POWER PLUG MAY OVERHEAT AND CAUSE A FIRE.
3. MAKE SURE THAT YOU CAN ACCESS THE MAIN PLUG OF THE APPLIANCE.
4. DO NOT PULL THE MAIN CABLE.
5. IF THE POWER PLUG SOCKET IS LOOSE, DO NOT INSERT THE POWER PLUG. THERE IS A RISK OF ELECTRIC SHOCK OR FIRE.
6. YOU MUST NOT OPERATE THE APPLIANCE WITHOUT THE INTERIOR LIGHTING LAMP COVER.
7. THE FRIDGE IS ONLY APPLIED WITH POWER SUPPLY OF SINGLE PHASE ALTERNATING CURRENT OF 220~240V/50HZ. IF FLUCTUATION OF VOLTAGE IN THE DISTRICT OF USER IS SO LARGE THAT THE VOLTAGE EXCEEDS THE ABOVE SCOPE, FOR SAFETY SAKE, BE SURE TO APPLY A.C. AUTOMATIC VOLTAGE REGULATOR OF MORE THAN 350W TO THE FRIDGE.

THE FRIDGE MUST EMPLOY A SPECIAL POWER SOCKET INSTEAD OF COMMON ONE WITH OTHER ELECTRIC APPLIANCES. ITS PLUG MUST MATCH THE SOCKET WITH GROUND WIRE.

DAILY USE

- DO NOT STORE FLAMMABLE GAS OR LIQUIDS IN THE APPLIANCE, THERE IS A RISK OF AN EXPLOSION.
- DO NOT OPERATE ANY ELECTRICAL APPLIANCES IN THE APPLIANCE (E.G. ELECTRIC ICE CREAM MAKERS, MIXERS ETC.).
- WHEN UNPLUGGING ALWAYS PULL THE PLUG FROM THE MAINS SOCKET, DO NOT PULL ON THE CABLE.
- DO NOT PLACE HOT ITEMS NEAR THE PLASTIC COMPONENTS OF THIS APPLIANCE.
- DO NOT PLACE FOOD PRODUCTS DIRECTLY AGAINST THE AIR OUTLET ON THE REAR WALL.
- STORE PRE-PACKED FROZEN FOOD IN ACCORDANCE WITH THE FROZEN FOOD MANUFACTURE'S INSTRUCTIONS.
- THE APPLIANCES MANUFACTURES STORAGE RECOMMENDATIONS SHOULD BE STRICTLY ADHERED TO. REFER TO RELEVANT INSTRUCTIONS FOR STORAGE.
- DO NOT PLACE CARBONATED OR FIZZY DRINKS IN THE FREEZER COMPARTMENT AS IT CREATES PRESSURE ON THE CONTAINER, WHICH MAY CAUSE IT TO EXPLODE, RESULTING IN DAMAGE TO THE APPLIANCE.
- FROZEN FOOD CAN CAUSE FROST BURNS IF CONSUMED STRAIGHT FROM THE FREEZER COMPARTMENT.
- DO NOT PLACE THE APPLIANCE IN DIRECT SUNLIGHT.
- KEEP BURNING CANDLES, LAMPS AND OTHER ITEMS WITH NAKED FLAMES AWAY FROM THE APPLIANCE SO THAT DO NOT SET THE APPLIANCE ON FIRE.

- THE APPLIANCE IS INTENDED FOR KEEPING FOOD STUFF AND/OR BEVERAGES IN NORMAL HOUSEHOLD AS EXPLAINED IN THIS INSTRUCTION BOOKLET. YOU SHOULD TAKE CARE WHEN MOVE IT AS THE APPLIANCE IS HEAVY.
- DO NOT REMOVE OR TOUCH ITEMS FROM THE FREEZER COMPARTMENT IF YOUR HANDS ARE DAMP/WET, AS THIS COULD CAUSE SKIN ABRASIONS OR FROST/FREEZER BURNS.
- NEVER USE THE BASE, DRAWERS, DOORS ETC. TO STAND ON OR AS SUPPORTS.
- FROZEN FOOD MUST NOT BE REFROZEN ONCE IT HAS BEEN THAWED OUT.
- DO NOT CONSUME ICE POPSICLES OR ICE CUBES STRAIGHT FROM THE FREEZER AS THIS CAN CAUSE FREEZER BURN TO THE MOUTH AND LIPS.
- TO AVOID ITEMS FALLING AND CAUSING INJURY OR DAMAGE TO THE APPLIANCE, DO NOT OVERLOAD THE DOOR RACKS OR PUT TOO MUCH FOOD IN THE CRISPER DRAWERS.

INSTALLATION IMPORTANT!

- FOR ELECTRICAL CONNECTION CAREFULLY, FOLLOW THE INSTRUCTIONS GIVEN IN THIS MANUAL. UNPACK THE APPLIANCE AND CHECK IF THERE ARE DAMAGES ON IT.
- DO NOT CONNECT THE APPLIANCE IF IT IS DAMAGED. REPORT POSSIBLE DAMAGES IMMEDIATELY TO THE PLACE YOU BOUGHT IT. IN THIS CASE RETAIN PACKING.
- IT IS ADVISABLE TO WAIT AT LEAST FOUR HOURS BEFORE CONNECTING THE APPLIANCE TO ALLOW THE OIL TO FLOW BACK IN THE COMPRESSOR.
- ADEQUATE AIR CIRCULATION SHOULD BE AROUND THE APPLIANCE, LACKING THIS LEADS TO OVERHEATING. TO ACHIEVE SUFFICIENT VENTILATION, FOLLOW THE INSTRUCTIONS RELEVANT TO INSTALLATION.
- WHEREVER POSSIBLE THE BACK OF THE PRODUCT SHOULD NOT BE TOO CLOSE TO A WALL TO AVOID TOUCHING OR CATCHING WARM PARTS (COMPRESSOR, CONDENSER) TO PREVENT THE RISK OF A FIRE, FOLLOW THE INSTRUCTIONS RELEVANT TO INSTALLATION.
- THE APPLIANCE MUST NOT BE LOCATE CLOSE TO RADIATORS OR COOKERS.
- MAKE SURE THAT THE MAINS PLUG IS ACCESSIBLE AFTER THE INSTALLATION OF THE APPLIANCE.
- PLACE ALL PACKAGING MATERIALS OUT OF THE REACH OF CHILDREN, THERE IS A RISK OF SUFFOCATION.
- THE INTERIOR OF YOUR REFRIGERATOR / FREEZER MAY SMELL BEFORE FIRST USE. THIS IS NORMAL. THE ODOR DISAPPEARS AS SOON AS THE APPLIANCE STARTS TO COOL / FREEZE.

- BEFORE CONNECTING THE REFRIGERATOR I FREEZER, MAKE SURE THAT THE MAINS VOLTAGE CORRESPONDS TO THE REQUIREMENTS FOR CONNECTING THE REFRIGERATOR / FREEZER. IF IN DOUBT, CONSULT A QUALIFIED ELECTRICIAN.
- THE APPLIANCE MUST BE CONNECTED TO A SOCKET WITH THE APPROPRIATE VOLTAGE AND A CORRECTLY INSTALLED FUSE SOCKET.
- THE REFRIGERATOR I FREEZER MUST NOT BE PLACED OUTDOORS OR EXPOSED TO RAIN.
- THE REFRIGERATOR I FREEZER MUST BE LOCATED AT LEAST 50CM FROM HEATERS, ELECTRIC OVENS, GAS OVENS, ETC.
- IF THE REFRIGERATOR WITH FREEZER IS LOCATED NEXT TO THE FREEZER, THERE MUST BE A MIN. 2CM SPACING.
- DO NOT PLACE HEAVY OBJECTS ON THE REFRIGERATOR / FREEZER, DO NOT COVER IT.
- ABOVE THE FRIDGE / FREEZER THERE MUST BE A MIN. 100 - 150 MM FREE SPACE.
- THIS APPLIANCE IS MADE FOR DOMESTIC USE AND IS ONLY SUITABLE FOR COOLING / FREEZING FOOD. NOT SUITABLE FOR COMMERCIAL USE AND / OR STORAGE OF SUBSTANCES OTHER THAN FOOD. THE MANUFACTURER IS NOT LIABLE FOR ANY LOSSES CAUSED BY IMPROPER USE OF THE APPLIANCE.

For EU standart


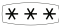


This appliance can be used by children aged from 8 years and above and persons with reduced physical, sensory or mental capabilities or lack of experience and knowledge if they have been given supervision or instruction concerning use of the appliance in a safe way and understand the hazards involved. Children shall not play with the appliance. Cleaning and user maintenance shall not be made by children without supervision.

To avoid contamination of food, please respect the following instructions:

- Opening the door for long periods can cause a significant increase of the temperature in the compartments of the appliance.
- Clean regularly surfaces that can come in contact with food and accessible drainage systems.
- Clean water tanks if they have not been used for 48h; flush the water system connected to a water supply if water has not been drawn for 5 days. **(Note 1)(*)**
- Store raw meat and fish in suitable containers in the refrigerator, so that it is not in contact with or drip onto other food.
- Two-star frozen-food compartments are suitable for storing pre-frozen food, storing or making ice-cream and making ice cubes. **(Note 2)(*)**
- 1 star, 2 star and 3 star compartments are not suitable for the freezing of fresh food. **(Note 4)(*)**
- For appliances without a 4-star compartment: this refrigerating appliance is not suitable for freezing foodstuffs. **(Note 4)(*)**
- If the refrigerating appliance is left empty for long periods, switch off, defrost, clean, dry, and leave the door open to prevent mould developing within the appliance.

Note 1,2,3,4: Please confirm whether it is applicable according to your product compartment type.

(*): This feature varies depending on the model purchased.

	"4 star" symbol: Freezer at -18°C or colder and it has the ability of quick freezing a certain amount of food
	"3 star" symbol: Freezer compartment at -18°C or colder
	"2 star" symbol: Freezer compartment at -12°C or colder
	"1 star" symbol: Freezer compartment with a target temperature and storage conditions of -6°C

CAUTION

This product is not recommended for use with sockets or main switch with the A/ GFCI function, otherwise it may cause false tripping.

1. It's not pose a safety risk when tripped.
2. If tripping persists, it is recommended to replace the sockets or main switch without a/gfci function.

WARNING

Risk of child entrapment. Before you throw away your old refrigerator or freezer:

- > Take off the doors.
- > Leave the shelves in place so that children may not easily climb inside.

PART 2: INSTALL INSTRUCTION

Before first use

Remove the exterior and interior packing, wipe the outside thoroughly with a soft dry cloth and the inside with a wet, lukewarm cloth.

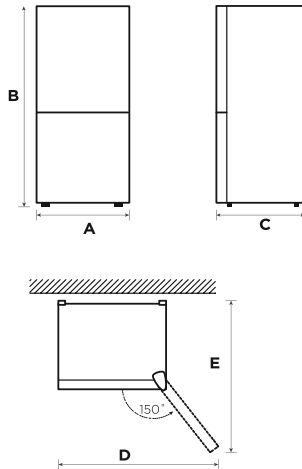
Avoid placing the cabinet in a narrow recess or near any heat source, direct sunlight, or moisture. Let air circulate freely around the cabinet.

When installing the unit, ensure that 10 cm of free space is left at both sides, 10 cm at the rear of the unit and 10 cm at the top of the unit.

Before connecting your refrigerator to the power supply, check that the voltage stated on the rating label of your appliance corresponds to the voltage in your home. A different voltage could damage the appliance.

The appliance must be grounded. The manufacturer is not responsible for damages that may occur as a result of usage without grounding.

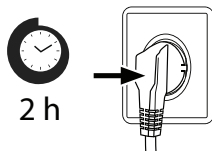
Space requirement diagram



A	B	C	D	E
470	1500	566	965	1093

Connecting the appliance

After installing the product, please let it stay for more than 2 hours before turning on the power, otherwise it will lead to a decrease in cooling capacity or a damage to the product.



Allow the appliance to run empty for 24 hours so the compartment can cool to the appropriate temperature.

CAUTION

The refrigerator should always be plugged into its own individual electrical outlet which has a voltage rating that matches the rating plate.

When positioning the appliance, ensure the supply cord is not trapped or damaged.

Ambient Temperature

Depending on the climate class, this refrigerator is intended to be used at an ambient temperature range as specified in the following table.

The product may not operate properly at temperatures outside of the specific range.

You can find the climate class on the product label.

Climate Class	Ambient Temperature
SN	+10 °C to +32 °C
N	+16 °C to +32 °C
ST	+16 °C to +38 °C
T	+16 °C to +43 °C

If you have any doubts regarding installation, please turn to the vendor, to our customer service or to the nearest Authorised Service Centre.

ATTENTION

The cooling performance and power consumption of the refrigerator may be affected by the ambient temperature, the door-opening frequency, and the location of the refrigerator. We recommend adjusting the temperature settings as appropriate.

Doors reversal (optional)

Parts included with the hinge kit:

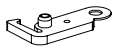


Left stopper (2)



Spacer

Parts already mounted on the refrigerator (as shipped):



Right stopper



Right stopper screw



Hole cap (2)



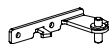
Top hinge cover



Top hinge screw



Top hinge



Middle hinge



Middle hinge screw



Bottom hinge



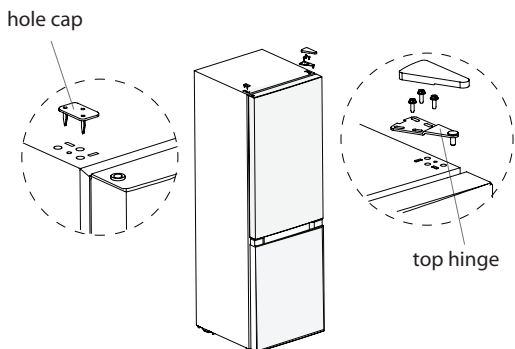
Adjustable foot



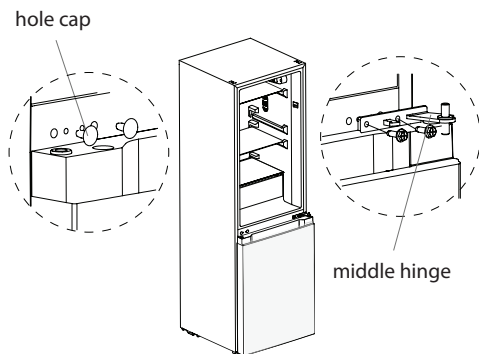
Hole cap

Steps:

1. Power off the refrigerator, and remove all articles from the door trays.
2. Remove the top hinge cover, then remove the top hinge screws, top hinge, and hole cap which is fixed on another side.

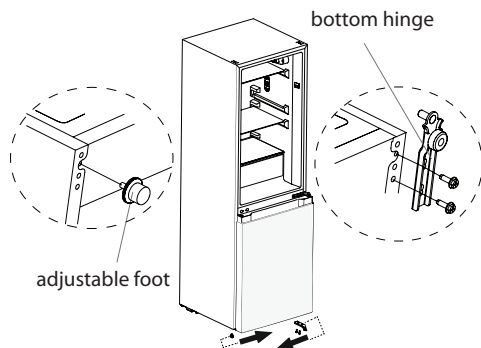


3. Remove the refrigerating door, the middle hinge and the hole caps.



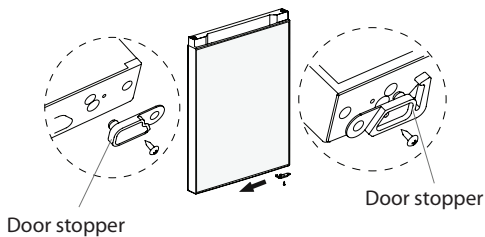
4. Remove the freezer door, remove the bottom hinge, and adjustable foot on another side.

5. Exchange the fixed position of the adjustable foot and the bottom hinge, then fix them again.

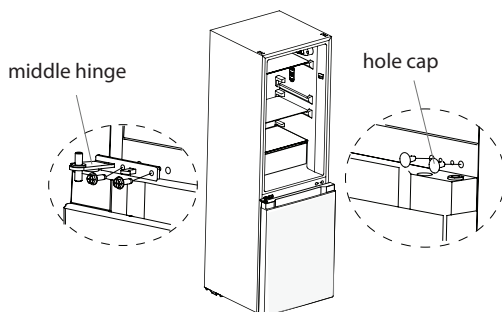


6. Remove the screws and stoppers which are fixed on the bottom cover of the refrigerating door and the freezer door.

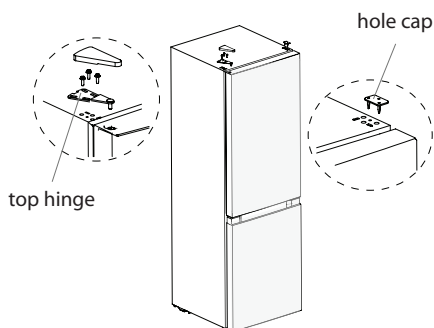
7. Take out two stoppers from the attached plastic bag, fix the stoppers with screws on another side of the bottom cover of the refrigerating door and the freezer door.



- Place the freezer door from top to bottom, take out the spacer from the attached plastic bag and put it on the axle hole of another side of the freezer door.
- Fix the middle hinge with screws and install 2 hole caps.



- Put the refrigerating door on the middle hinge, assemble the top hinge on another side, fix the hinge cover on the top hinge and fix hole cap, as below pictures shows.



ATTENTION

Differences: Due to technical changes and different models, some of the illustrations in this manual may differ from your model.

Leveling feet

To avoid vibration, the appliance must be leveled.

If required, adjust the leveling feet to compensate for the uneven floor.

The front should be slightly higher than the rear to aid in door closing.

Leveling feet can be turned easily by tipping the cabinet slightly.

Turn the leveling feet counter clockwise  to raise the unit, clockwise  to lower it.

Changing the light

Any replacement or maintenance of the LED lamps is intended to be made by the manufacturer, its service agent or similar qualified person.

This product contains a light source of energy efficiency class (G).

After connecting the power supply cord (or plug) to the outlet, wait 2 or 3 hours before you put food into the appliance. If you add food before the appliance has cooled completely, your food may spoil.

Moving the appliance

1. Remove all items from the appliance.
2. Pull the power plug out, insert and fix it into the power plug hook at the rear or on top of the appliance.
3. Tape parts such as shelves and the door to prevent from falling off while moving the appliance.
4. Move the appliance with more than two people carefully. When transporting the appliance over a long distance, keep the appliance upright.

Tips for energy saving

Do not place the appliance near cookers, radiators or other heat sources. If the ambient temperature is high, the compressor will run more frequently and for longer, resulting in increased energy consumption. Ensure that there is sufficient ventilation at the base of the appliance, on the sides of the appliance and at the back of the appliance.

Please also observe the spacing dimensions in the chapter "Installation".

The arrangement of drawers, shelves and trays as shown in the product overview offers the most efficient use of energy and should be retained as far as possible.

To obtain a larger storage space (e.g. for large refrigerated/frozen goods), the middle drawers and shelves can be removed. The top and bottom drawers and shelves should be removed last if necessary.

An evenly filled refrigerator/freezer compartment contributes to optimal energy use.

Allow warm food to cool before placing it in the refrigerator/freezer compartment. Food that has already cooled down increases energy efficiency.

Allow frozen food to defrost in the refrigeration compartment. The coldness of the frozen food reduces the energy consumption in the refrigerator compartment and thus increases the energy efficiency.

Open the door only as briefly as necessary to minimise cold loss. Opening the door briefly and closing it properly reduces energy consumption.

Setting the temperature no colder than necessary contributes to optimal energy use. The door gaskets of your appliance must be perfectly intact so that the doors close properly and energy consumption is not increased unnecessarily.

Out of operation

Power failure:

In case of power failure, even if it is in summer, foods inside the appliance can be kept for several hours; during the power failure, the times of door opening shall be reduced, and no more fresh food shall be put into the appliance.

Long-time nonuse:

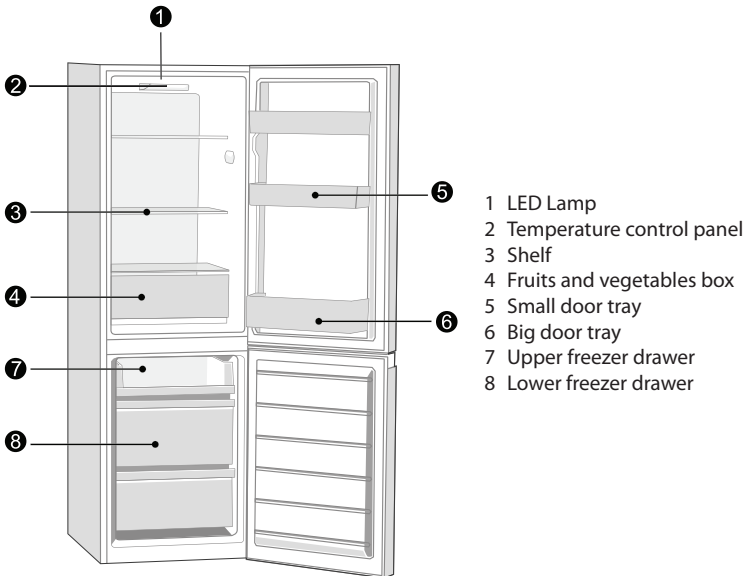
The appliance shall be unplugged and then cleaned; then the doors are left open to prevent odor.

Moving:

Before the refrigerator is moved, take all objects inside out, fix the glass partitions, vegetable holder, freezing chamber drawers and etc. with tape, and tighten the leveling feet; close the doors and fix them with tape. During moving, the appliance shall not be laid upside down or horizontally, or be vibrated; the inclination during movement shall be no more than 45°

PART 3: PRODUCT OVERVIEW

Normal type



- > For the most efficient use of energy, please keep the all internal items such as trays, drawers, shelves and ice cube box on the position supplied by manufacturer.
- > This refrigerating appliance needs to be installed independently and cannot be used as a built-in. Otherwise, it will cause problems such the performance and life of the appliance are reduced. And the manufacturer does not provide basic appliance warrant.

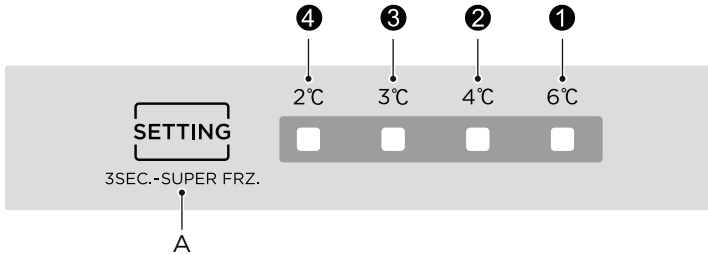
ATTENTION

Differences: Due to technical changes and different models, some of the illustrations in this manual may differ from your model.

PART 4: OPERATION INSTRUCTIONS

Use and functions

Functions



Display screen

1. LED 1 : 6°C
2. LED 2 : 4°C
3. LED 3 : 3°C
4. LED 4 : 2°C

Button

A Set key (Temperature setting button of refrigerator compartment)

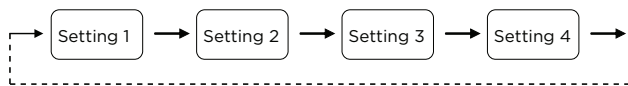
Display

- > Once initially powered on, the display screen is on full display for 3s, and then the refrigerator runs according to setting 2 (4°C).
- > In case of a failure, the corresponding LED blinks.
- > In case of no failures, it shows the actual temperature setting of refrigerator.

Fault Code	Fault Description
LED 1	Ambient temperature sensor
LED 2	Freezer defrost sensor
LED 3	Refrigerator defrost sensor
LED 4	Refrigerator temperature sensor circuit

Temperature setting

Each time the temperature setting button A is pressed once, the temperature setting changes one time. After the temperature setting has been completed, the refrigerator will run according to the set value after 30s. The shift regulation is:



Super freeze mode

Long press temperature setting key for 3s, after the LED ② and LED ③ lighting for 30s, it will enter into Super freeze mode.

Long press temperature setting key for 3s could cancel Super freeze mode.

Recommended setting:

Refrigerated chamber 4°C.

ATTENTION

The Super freeze function is designed to maintain the nutritional value of the food in the freezer. It can freeze the food in the shortest time. If a large amount of food is frozen at one time, it is recommended that the user turn on the Super freeze function and put the food in. At this time, the freezing speed of the freezer compartment is increased, which can quickly freeze the food, effectively lock the nutrition of the food, and facilitate storage.

Storing food

Freezer compartment

The freezer compartment is designated for the low-temperature freezing of food, long-term storage of frozen food, and for the production of ice cubes.

Pay attention to the star classifications

(4 star, 2 star and 1 star) in the freezer compartment and the resulting storage periods for frozen food.

Do not put fresh and frozen food next to each other. The frozen food may thaw.

When freezing large amounts of fresh food (such as meat, fish or chopped meat), please divide them into several small pieces before putting in, so that they can be quickly frozen and pick up easily.

Abide by the storage times recommended by food manufacturers on the packages, there is no information on the packaging, food should not be stored frozen for longer than three months from the date of purchase.

When purchasing frozen food, make sure that it was frozen at a suitable temperature and that the packaging is not damaged.

Frozen food should be kept in suitable individual packages to ensure that adjacent food cannot be contaminated. Consume thawed and defrosted foods immediately, do not refreeze them.

In case of prolonged power failure or malfunction of the appliance, remove the stored frozen food and check whether they are still edible, then store them in a sufficiently cool place or in another appliance.

To defrost food, remove it from the freezer and let it defrost at room temperature or in the refrigerator. To defrost food quickly, you can use the defrost function on your microwave, for example.

If you only want to defrost part of a pack, remove the portion you need and immediately close the rest of the pack. In this way, you will avoid "freezer burn" and will reduce ice formation on the remaining foods.

Cooling compartment

To reduce moisture and subsequent ice build-up, never put liquid into the fridge compartment in unsealed containers.

Frost tends to concentrate in the coolest parts of the evaporator. Storing uncovered liquids results in a more frequent need for defrosting.

Never put warm foods in the fridge compartment. These should first cool down at room temperature and then be placed so as to ensure adequate air circulation in the fridge compartment.

Foods or food containers should not touch the back wall of the fridge because they could freeze to the wall.

Do not keep regularly opening the door of the refrigerator.

Meat and clean fish (packed in a package or plastic foil) can be placed in the fridge compartment, which can be used in 1–2 days.

Fruit and vegetables without packaging can be placed in the part designated for fresh fruit and vegetables.

ATTENTION

Storage of too much food during operation after the initial connection to power may adversely affect the freezing effect of the refrigerator.

Storage times and temperature

Note: Overlong storage or storage at inappropriate freezing temperature may cause a quality loss or spoiled foods, which causes food waste, is inedible and may cause food poisoning. The minimum temperature in most cases should be -18°C or colder.

Follow the maximum recommended storage times below:

- > Stew, ice cream, sausages, bread: 2-6 months.
- > Fish, shrimp, lamb, meat: 4-8 months.
- > Vegetables, fruits, poultry, beef: 6-12 months.

PART 5: MAINTENANCE AND CLEANING

CAUTION

Disconnect the appliance from the electrical supply before undertaking any routine maintenance. Allow at least 5 minutes before restarting the appliance, as frequent starting may damage the compressor.

Do not use mechanical devices or other means to accelerate the defrosting process, other than those recommended by the manufacturer.

Do not try to repair, disassemble or modify the appliance by yourself. In case of repair please contact our customer service.

Eliminate the dust on the back of the unit at least once in the year to avoid hazard by fire, as well as increased energy consumption.

Check the door gasket regularly to make sure there are no debris. Clean the door gasket with a soft cloth dampened with soapy water or diluted detergent.

The interior of the product should be cleaned regularly to avoid odor.

Use a soft cloth or sponge to clean the inside of the product, with two tablespoons of baking soda and a quart of warm water.

Then rinse with water and wipe clean.

After cleaning, open the door and let it dry naturally before turning on the power.

For areas that are difficult to clean in the product (such as narrow sandwiches, gaps or corners), it is recommended to wipe them regularly with a soft rag, soft brush, etc. and when necessary, combined with some auxiliary tools (such as thin sticks) to ensure no contaminants or bacterial accumulation in these areas. Wipe the outer surface of the product with a soft cloth dampened with soapy water, detergent, etc., and then wipe dry.

Do not use hard brushes, clean steel balls, wire brushes, abrasives (such as toothpastes), organic solvents (such as alcohol, acetone, banana oil, etc.), boiling water, acid or alkaline items, which may damage the fridge surface and interior.

Boiling water and organic solvents such as benzene may deform or damage plastic parts.



Do not rinse directly with water or other liquids during cleaning to avoid short circuits or affect electrical insulation after immersion.

Defrosting defrosts, a layer of frost may occur on the freezer compartment's interior walls if the freezer door is opened frequently or kept open too long. If the frost is too thick, choose a time when the supply of food stocks are low and proceed as follows:

1. Remove existing food and accessories baskets, unplug the appliance from the mains power and leave the doors open. Ventilate the room thoroughly to accelerate the thawing process.
2. When defrosting is completed, clean your freezer as described above.

CAUTION!

Don't use sharp objects to remove frost from the freezer. Only after the interior completely dry should the appliance be switched back on and plugged back into the mains socket.

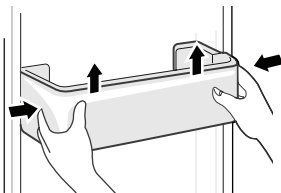
ATTENTION

The appliance shall run continuously once it is started. Generally, the operation of the appliance shall not be interrupted; otherwise the service life may be impaired

Cleaning of door tray

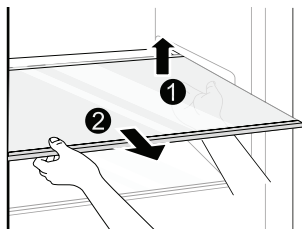
According to the direction arrow in the figure below, use both hands to squeeze the tray, and push it upward, then you can take it out.

After washing the tray having been taken out, you can adjust its installing height in accordance with your requirement.



Cleaning of glass shelf

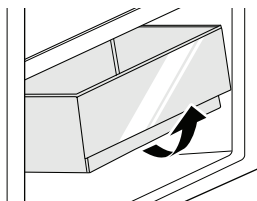
As the innermost part of the refrigerator liner where contacting the shelves has a backstop, you shall raise the shelves upward, then you can be able to take it out. Adjust or clean the shelves according to your requirement.



Cleaning the vegetable drawer

Remove the contents of the drawer. Hold the handle of the vegetable drawer and pull it out completely until it stops.

Lift the vegetable drawer up and remove it by pulling it out.



ATTENTION

Differences: Due to technical changes and different models, some of the illustrations in this manual may differ from your model.

PART 6: TROUBLESHOOTING

The following simple issues can be handled by the user. Please call the after-sale service department if the issues are not solved.

Problem	Possible Causes	Solution
Not operate	<ul style="list-style-type: none"> The power supply is not turned on and the plug is not firmly inserted. Low voltage, power failure or part of the circuit tripped. 	<ul style="list-style-type: none"> Insert the power cord plug firmly. Check the power supply at home.
Light not on	<ul style="list-style-type: none"> The appliance is not powered on. The light is broken. 	<ul style="list-style-type: none"> Unplug and re-plug the power cord. Replace the light with a new one.
Fruits or vegetables are frozen	<ul style="list-style-type: none"> Has the food been placed at the back of the fridge? The area near the back wall is where the temperatures are coldest. Fruits or vegetables are stored in the Fresh/Chill zone. 	<ul style="list-style-type: none"> Not placing food which may freeze easily at the back of the fridge compartment. The Fresh/Chill zone is only for meat/ fish.
Fridge/freezer is overcooling	<ul style="list-style-type: none"> Temperature control is not set correctly. 	<ul style="list-style-type: none"> Set the temperature higher.
Compressor working for a long time	<ul style="list-style-type: none"> High ambient temperature causing long working time. Putting too much food in at one time. Food is put in before it has cooled down. Opening the door too often. The frost layer inside is too thick. 	<ul style="list-style-type: none"> This is normal. Do not put too much food in at one time. Wait until the food has cooled down before putting it in. Do not open the door too often. Need to defrost.
Door does not close properly	<ul style="list-style-type: none"> Door is stuck with objects. Too much food in. Door gasket deformed. 	<ul style="list-style-type: none"> Do not put in too much food. Place the appliance stably. Heat the door gasket, then cool it for restoration (with an electrical drier or hot water for heating).
Outer wall is hot	<ul style="list-style-type: none"> When the appliance is operating, heat is dissipated to the outside through the metal tubes inside the cabinet. Higher ambient temperatures in the summer cause the temperature of the outer wall to rise. 	<ul style="list-style-type: none"> Higher temperature on the outer wall is normal. Increase the heat dissipation space, or put the appliance in a ventilated and cool place.
Cross or vertical beams are hot	<ul style="list-style-type: none"> There are metal tubes inside the beams, and the heat released from the tubes prevents condensation. 	<ul style="list-style-type: none"> This is normal.

Problem	Possible Causes	Solution
Odors	<ul style="list-style-type: none"> • Spoiled food • Food with strong odors • The interior compartment is dirty. 	<ul style="list-style-type: none"> • Clean and remove any spoiled food. • Make sure strong smelling food is wrapped airtight. • Clean the interior compartment.
The actual temperature differs from the set temperature	<ul style="list-style-type: none"> • When warm food is put in, the temperature will rise temporarily. • After setting a new temperature, it will take some time for the temperature in the compartment to reach the set temperature when the door is not opened. • After the temperature stability, the actual temperatures at different locations within the compartment are different, with a deviation of about $\pm 3^{\circ}\text{C}$. 	<ul style="list-style-type: none"> • This is normal. • Wait for some time before testing the actual temperature.
Condensation forms on the outside	<ul style="list-style-type: none"> • Condensation may form when the humidity in the room is high. 	<ul style="list-style-type: none"> • This is normal. Wipe off the condensation using a dry cloth.
Condensation forms inside the fridge and drawers	<ul style="list-style-type: none"> • The fridge maintains a high humidity to keep vegetables and other food items fresh. • Humidity is too high in the room and doors have been opened frequently. • The door gasket are not tight. 	<ul style="list-style-type: none"> • Wipe off the condensation using a dry cloth. • Do not open doors as frequently or do not keep them open too long. • Check the door gasket, clean or correct position.
Frost around the vents	<ul style="list-style-type: none"> • Door is not closed properly. • The door gasket are not tight. 	<ul style="list-style-type: none"> • Make sure food does not block the door. • Check the door gasket, clean or correct position.
Hard to open the door	<ul style="list-style-type: none"> • The difference in air pressure between the inside and outside of the compartment may sometimes make it hard to open the freezer door. 	<ul style="list-style-type: none"> • Wait a few moments, and then try to open the door slowly.

Certain sounds can be heard during normal use of the refrigerator, which do not affect its correct operation.

Sounds, which can be easily prevented:

- > Noise caused by the appliance which is not level - adjust the position with the adjustable turn-in front feet. Alternatively, place pads made of soft material under the rear rollers, especially when the appliance is placed on tiles.
- > Touching the adjacent piece of furniture - move the refrigerator away.
- > Creaking of the drawers or shelves - take out and put back the drawer or shelf.
- > Sounds of clinking bottles - move bottles apart.

Sounds heard during normal use are mainly due to operation of the compressor (switching on) and cooling, system (thermal expansion and contraction of the radiator caused by flow of the cooling agent).

PART 7: PRODUCT INFORMATION SHEET

Product Information Sheet

PHILCO 

COMMISSION DELEGATED REGULATION (EU) 2019/2016 with regard to energy labelling of refrigerating appliances

Supplier's name or trademark: PHILCO

Supplier's address: PHILCO, U Sanitasu 1621, 25101 Říčany, CZ

Model identifier: PT 173 ENW, PT 173 ENX

Type of refrigerating appliance:

Low-noise appliance:	No	Design type:	freestanding
Wine storage appliance:	No	Other refrigerating appliance:	Yes

General product parameters:

Parameter	Value	Parameter	Value
Overall dimensions (millimetre)	Height	Total volume (dm ³ or l)	173
	Width		
	Depth		
Energy efficiency Index (EEL)	99	Energy efficiency class*	E
Airborne acoustical noise emissions (dB(A) re 1 pW)	41	Airborne acoustical noise emission class	C
Annual energy consumption (kWh/a)	203	Climate class:	extended temperate, temperate, subtropical
Minimum ambient temperature (°C), for which the refrigerating appliance is suitable	10	Maximum ambient temperature (°C), for which the refrigerating appliance is suitable	38
Winter setting	Yes		

Compartment Parameters:

Compartment type	Compartment parameters and values				
	Compartment volume (dm ³ or l)	Recommended temperature setting for optimised food storage (°C) These settings shall not contradict the storage conditions set out in Annex IV, Table 3	Freezing capacity (kg/24h)	Defrosting type (auto-defrost=A, manual defrost=M)	
Pantry	No	-	-	-	
Wine storage	No	-	-	-	

Cellar	No	-	-	-	-
Fresh food	Yes	120.0	4	-	A
Chill	No	-	-	-	-
0-star or ice-making	No	-	-	-	-
1-star	No	-	-	-	-
2-star	No	-	-	-	-
3-star	No	-	-	-	-
4-star	Yes	53.0	-18	3.0	A
2-star section	No	-	-	-	-
Variable temperature compartment	-	-	-	-	-
For 4-star compartments					
Fast freeze facility			Yes		
Light source parameters:					
Type of light source			LED		
Energy efficiency class			G		
Minimum duration of the guarantee offered by the manufacturer: 24 months					
Additional information:					
Weblink to the manufacturer's website, where the information in point 4(a) Annex of Commission Regulation (EU) 2019/2019 is found: www.philco.cz					

TECHNICAL INFORMATION

Technical information can be found on the type plate on the inside of the appliance and on the energy label. The QR code, on the supplied energy label, contains a link to register the appliance in the EU Eprel database. Keep the energy label, the instructions for use, together with other documents supplied with the device.

TESTING INFORMATION

The delivered device is in accordance with Ecodesign a EN 62552-1:2020, EN 62552-2:2020, EN 62552-3:2020 EN IEC 60704-1:2021 EN 60704-2-14:2013+A11:2015+A1:2019. Air access requirements for proper operation of the device, the minimum distance from the wall and the dimensions of the device are part of this manual. If you have any further questions, please contact the manufacturer.

CUSTOMER CARE AND SERVICE

Always use original spare parts.

Model name and serial number can be found on the rating plate. Position of rating plate can be changed without notice.

The original spare parts for some specific components are available for a minimum of 7 or 10 years, based on the type of component, from the placing on the market of the last unit of the model.

When contacting our authorized service, have the model designation, serial number and defect description available.

To download documents, visit www.philco.cz.

To report a defect and obtain additional service information, visit <https://philco.cz/podpora-a-servis>.

Subject to change without notice.

INSTRUCTIONS AND INFORMATION REGARDING THE DISPOSAL OF USED PACKAGING MATERIALS

Dispose of packaging material at a public waste disposal site.

DISPOSAL OF USED ELECTRICAL AND ELECTRONIC APPLIANCES



The meaning of the symbol on the product, its accessory or packaging indicates that this product shall not be treated as household waste. Please, dispose of this product at your applicable collection point for the recycling of electrical & electronic equipment waste. Alternatively in some states of the European Union or other European states you may return your products to your local retailer when buying an equivalent new product. The correct disposal of this product will help save valuable natural resources and help in preventing the potential negative impact on the environment and human health, which could be caused as a result of improper liquidation of waste. Please ask your local authorities or the nearest waste collection centre for further details. The improper disposal of this type of waste may fall subject to national regulations for fines.

For business entities in the European Union

If you wish to dispose of an electrical or electronic device, request the necessary information from your seller or supplier.

Disposal in other countries outside the European Union

If you wish to dispose of this product, request the necessary information about the correct disposal method from local government departments or from your seller.



This product meets all the basic EU regulation requirements that relate to it.

Changes to the text, design and technical specifications may occur without prior notice and we reserve the right to make these changes.

The English version of the manual is a translation of the original operating manual, which is in Czech.

CHLADNIČKA - MRAZNIČKA

NÁVOD K POUŽITÍ

PHILCO




Famous for Quality the World Over

PC 173 ENW
PC 173 ENX

**Vážený zákazníku,
Děkujeme vám za zakoupení produktu značky PHILCO. Aby vám váš spotřebič dobře sloužil, přečtěte si prosím pečlivě všechny pokyny v této uživatelské příručce.**

OBSAH

ČÁST 1: BEZPEČNOSTNÍ POKYNY	2
ČÁST 2: INSTALAČNÍ POKYNY	13
ČÁST 3: PŘEHLED JEDNOTLIVÝCH ČÁSTÍ SPOTŘEBIČE	20
ČÁST 4: PROVOZNÍ POKYNY	21
ČÁST 5: ÚDRŽBA A ČIŠTĚNÍ	23
ČÁST 6: ŘEŠENÍ PROBLÉMŮ	26
ČÁST 7: INFORMAČNÍ LIST	29

 Zařízení bylo testováno podle platných směrnic Evropské unie. Zařízení vyhovuje bezpečnostním ustanovením platným pro elektrické spotřebiče v Evropské unii.

ČÁST 1: BEZPEČNOSTNÍ POKYNY



Z DŮVODU VAŠÍ BEZPEČNOSTI A SPRÁVNÉHO POUŽITÍ, JEŠTĚ PŘED INSTALACÍ A PRVNÍM POUŽITÍM SPOTŘEBIČE, SI POZORNĚ PŘEČTĚTE TUTO PŘÍRUČKU, VČETNĚ TĚCHTO TIPŮ A VAROVÁNÍ. ABYSTE ZABRÁNILI NEŽÁDOUCÍM CHYBÁM A NEHODÁM, JE DŮLEŽITÉ ZAJISTIT, ABY SE VŠECHNY OSOBY POUŽÍVAJÍCÍ TENTO SPOTŘEBIČ DŮKLADNĚ SEZNÁMILY S JEHO OBSLUHOU A BEZPEČNOSTNÍMI FUNKCEMI.

USCHOVEJTE SI TYTO POKYNY A V PŘÍPADĚ PŘEDÁNÍ SPOTŘEBIČE SE UJISTĚTE, ZDA ZŮSTAL TENTO NÁVOD VE SPOTŘEBIČI TAK, ABY BYL POUŽÍVÁN V PRŮBĚHU CELÉ ŽIVOTNOSTI A SPRÁVNĚ INFORMOVAL O SPRÁVNÉM POUŽÍVÁNÍ SPOTŘEBIČE A BEZPEČNOSTI. Z BEZPEČNOSTNÍCH DŮVODŮ A PRO OCHRANU MAJETKU DODRŽUJTE POKYNY V TOMTO NÁVODU, PROTOŽE VÝROBCE NENESE ŽÁDNOU ZODPOVĚDNOST ZA POŠKOZENÍ ZPŮSOBENÁ NEDODRŽENÍM TĚCHTO POKYŇŮ.

- TENTO SPOTŘEBIČ MOHOU POUŽÍVAT DĚTI VE VĚKU 8 LET A STARŠÍ OSOBY SE SNÍŽENÝMI FYZICKÝMI, SMYSLOVÝMI NEBO MENTÁLNÍMI SCHOPNOSTMI NEBO S NEDOSTATKEM ZKUŠENOSTNÍ A ZNALOSTÍ, POKUD JSOU POD DOZOREM NEBO BYLY POUČENY O POUŽÍVÁNÍ SPOTŘEBIČE BEZPEČNÝM ZPŮSOBEM A ROZUMÍ PŘÍPADNÝM NEBEZPEČÍM.
- DĚTI VE VĚKU 3 AŽ 8 LET MOHOU VKLÁDAT A VYJÍMAT POTRAVINY Z CHLADÍCÍCH SPOTŘEBIČŮ.
- DĚTI SI SE SPOTŘEBIČEM NESMĚJÍ HRÁT.
- ČIŠTĚNÍ A ÚDRŽBU NESMĚJÍ PROVÁDĚT DĚTI BEZ DOZORU.

- POKUD JE PŘÍVODNÍ KABEL POŠKOZEN, JEHO VÝMĚNU SVĚŘTE ODBORNÉMU SERVISNÍMU STŘEDISKU, ABY SE ZABRÁNILO VZNIKU NEBEZPEČNÉ SITUACE . SPOTŘEBIČ S POŠKOZENÝM PŘÍVODNÍM KABLEM JE ZAKÁZÁNO POUŽÍVAT.

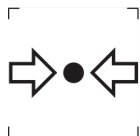
- **VÝSTRAHA:** VĚTRACÍ OTVORY V KRYTU SPOTŘEBIČE NEBO V JEHO KONSTRUKCI JE NUTNO UDRŽOVAT VOLNÉ.

- **VÝSTRAHA:** K URYCHLENÍ ODMRAZOVACÍHO PROCESU NEPOUŽÍVEJTE MECHANICKÁ ZAŘÍZENÍ NEBO JINÉ PROSTŘEDKY NEŽ TY, KTERÉ JSOU DOPORUČENY VÝROBCEM.

- **VÝSTRAHA:** NEPOŠKOZUJTE CHLADICÍ OBVOD.

- **VÝSTRAHA:** NEPOUŽÍVEJTE ELEKTRICKÉ SPOTŘEBIČE V PROSTORU PRO UCHOVÁVÁNÍ POTRAVIN SPOTŘEBIČE, POKUD SE NEJEDNÁ O TYPY DOPORUČENÉ VÝROBCEM.

- **VÝSTRAHA:** V TOMTO SPOTŘEBIČI NESKLADUJTE VÝBUŠNÉ LÁTKY JAKO JSOU AEROSOLOVÉ PLECHOVKY, SPREJE S HOŘLAVOU HNACÍ LÁTKOU.



ZNAČKA ISO 7000-1701 (2004-01)
OZNAČUJE MÉDIUM POD TLAKEM.

TENTO SPOTŘEBIČ JE URČEN PRO POUŽITÍ V DOMÁCNOSTI A PODOBNÝCH PROSTORECH, JAKO JSOU:

- KUCHYŇSKÉ KOUTY V OBCHODECH, KANCELÁŘÍCH A OSTATNÍCH PRACOVIŠTÍCH;
- SPOTŘEBIČE POUŽÍVANÉ HOSTY V HOTELÍCH, MOTELECH A JINÝCH OBYTNÝCH PROSTŘEDÍCH;
- SPOTŘEBIČE POUŽÍVANÉ V PODNICÍCH ZAJIŠŤUJÍCÍCH NOCLEH SE SNÍDANÍ;
- SPOTŘEBIČE POUŽÍVANÉ VE STRAVOVACÍCH A PODOBNÝCH NEPRODEJNÍCH PROSTŘEDÍCH.

● **VÝSTRAHA:** SPOTŘEBIČ MUSÍ BÝT PŘIPEVNĚN PODLE NÁVODU, ABY SE ZABRÁNILO NEBEZPEČÍ ZPŮSOBENÝM JEHO NESTABILITOU.



VÝSTRAHA:
NEBEZPEČÍ OHNĚ / HOŘLAVÉ MATERIÁLY!

OBSAHUJE CHLADICÍ PLYN IZOBUTAN

R600a

CHLADIVO

CHLADICÍ IZOBUTAN (R600a), KTERÝ JE OBSAŽEN V CHLADICÍM OKRUHU SPOTŘEBIČE, JE PŘÍRODNÍ PLYN S VYSOKOU KOMPATIBILITOU SE ŽIVOTNÍM PROSTŘEDÍM, KTERÝ JE PŘECE JEN HOŘLAVÝ. BĚHEM PŘEPRAVY A INSTALACE SPOTŘEBIČE ZABRAŇTE POŠKOZENÍ KOMPONENT CHLADICÍHO OKRUHU. CHLADIVO (R600a) JE HOŘLAVÉ.

• **VAROVÁNÍ** — CHLADNIČKY V IZOLACI OBSAHUJÍ CHLADIVO A CHLADICÍ PLYNY. CHLADIVO A CHLADICÍ PLYNY MUSÍ BÝT LIKVIDOVÁNY ODBORNĚ, PROTOŽE MOHOU ZPŮSOBIT PORANĚNÍ OČÍ NEBO VZNÍCENÍ. PŘED PROVEDENÍM SPRÁVNÉ LIKVIDACE SE UJISTĚTE, ZDA NENÍ POTRUBÍ CHLADICÍHO OKRUHU POŠKOZENO.



SYMBOL  VAROVÁNÍ A ZNAMENÁ TO, ŽE CHLADIVO A CHLADICÍ PLYNY JSOU HOŘLAVÉ.

VAROVÁNÍ: RIZIKO POŽÁRU HOŘLAVÝCH MATERIÁLŮ

POKUD BY DOŠLO K POŠKOZENÍ CHLADICÍHO OKRUHU

- VYHNĚTE SE OTEVŘENÉMU OHNI A ZDROJŮM VZNÍCENÍ.

- DŮKLADNĚ VYVĚTREJTE MÍSTNOST, VE KTERÉ SE SPOTŘEBIČ NACHÁZÍ.

JE NEBEZPEČNÉ MĚNIT NEBO UPRAVOVAT SPOTŘEBIČ JAKÝMKOLIV ZPŮSOBEM.

JAKÉKOLIV POŠKOZENÍ NAPÁJECÍHO KABELU MŮŽE VÉST KE ZKRATU, POŽÁRU A/NEBO ZASAŽENÉM ELEKTRICKÝM PROUDEM.

● **VÝSTRAHA:** PŘI UMÍSŤOVÁNÍ SPOTŘEBIČE SE MUSÍ ZAJISTIT, ABY NAPÁJECÍ PŘÍVOD NEBYL ZACHYCEN NEBO POŠKOZEN.

● **VÝSTRAHA:** NEUMÍSŤOVAT VÍCENÁSOBNÉ PŘENOSNÉ ZÁSUVKY NEBO PŘENOSNÉ PRODLUŽOVACÍ PŘÍVODY NA ZADNÍ STRANU SPOTŘEBIČE.

OHLEDNĚ OPRAVY ČI VÝMĚNY OSVĚTLENÍ, KONTAKTUJTE SERVISNÍ STŘEDISKO.

● OTEVŘENÍ DVÍŘEK NA DLOUHOU DOBU MŮŽE ZPŮSOBIT VÝRAZNÉ ZVÝŠENÍ TEPLoty V PROSTORÁCH SPOTŘEBIČE.

● JE TŘEBA PRAVIDELNĚ ČISTIT POVRCHY, KTERÉ MOHOU PŘIJÍT DO STYKU S POTRAVINAMI A PŘÍSTUPNÉ DRENÁŽNÍ SYSTÉMY

● SYROVÉ MASO A RYBY JE TŘEBA UKLÁDAT DO CHLADNIČKY VE VHODNÝCH OBALECH, TAK ABY NEBYLY V KONTAKTU S JINÝMI POTRAVINAMI NEBO NA NĚ NEKAPALY.

● DVOUHVĚZDIČKOVÉ MRAZICÍ PROSTORY JSOU VHODNÉ K UKLÁDÁNÍ PŘEDEM ZMRAZENÝCH POTRAVIN, ULOŽENÍ NEBO K VÝROBĚ ZMRZLINY A VÝROBĚ KOSTEK LEDU.

● JEDNO, DVOU A TŘÍHVĚZDIČKOVÉ PROSTORY NEJSOU VHODNÉ PRO MRAŽENÍ ČERSTVÝCH POTRAVIN.

POKUD SE CHLADICÍ SPOTŘEBIČ ZANECHÁVÁ PRÁZDNÝ PO DLOUHOU DOBU, JE TŘEBA HO VYPNOUT, ODMRAZIT, VYČISTIT, VYSUŠIT A NECHAT DVÍŘKA OTEVŘENÁ, ABY SE ZABRÁNILO TVORBĚ PLÍSNÍ UVNITŘ SPOTŘEBIČE.



ELEKTRICKÁ BEZPEČNOST

1. NAPÁJECÍ KABEL NESMÍ BÝT PRODLUŽOVÁN.
2. UJISTĚTE SE, ZDA NENÍ ZÁSTRČKA NAPÁJECÍHO KABELU POŠKOZENÁ.
ROZDRCENÁ NEBO POŠKOZENÁ ZÁSTRČKA SE MŮŽE PŘEHŘÍVAT A ZPŮSOBIT POŽÁR.
3. UJISTĚTE SE, ZDA MÁTE VOLNÝ PŘÍSTUP K ZÁSTRČCE SPOTŘEBIČE.
4. NETAHEJTE ZA NAPÁJECÍ KABEL.
5. POKUD JE ELEKTRICKÁ ZÁSUVKA UVOLNĚNÁ, NEPŘIPOJUJTE K NÍ ZÁSTRČKU. HROZÍ RIZIKO ÚRAZU ELEKTRICKÝM PROUDEM NEBO VZNIKU POŽÁRU.
6. NESMÍTE POUŽÍVAT TENTO SPOTŘEBIČ BEZ KRYTU VNITŘNÍHO OSVĚTLENÍ.
7. CHLADNIČKA JE URČENA POUZE NA NAPÁJENÍ Z JEDNÉ FÁZE STŘÍDAVÉHO PROUDU S HODNOTAMI 220~240 V/50 HZ. POKUD JE KOLÍSÁNÍ NAPĚTÍ V MÍSTĚ BYDLIŠTĚ UŽIVATELE TAK VELKÉ, ŽE PŘESAHUJE VÝŠE UVEDENÉ LIMITY, Z BEZPEČNOSTNÍCH DŮVODŮ POUŽIJTE PRO CHLADNIČKU AUTOMATICKÝ NAPĚŤOVÝ REGULÁTOR S VÍCE NEŽ 350 W.

CHLADNIČKA MUSÍ BÝT VYBAVENA SPECIÁLNÍ NAPÁJECÍ ZÁSTRČKOU NAMÍSTO BĚŽNĚ POUŽÍVANÉ S JINÝMI ELEKTRICKÝMI SPOTŘEBIČI. ZÁSTRČKA MUSÍ ZODPOVÍDAT ZÁSUVCE S UZEMŇOVACÍM KONTAKTEM.

BĚŽNÉ POUŽITÍ

- VE SPOTŘEBIČI NESKLADUJTE HOŘLAVÉ PLYNY ANI TEKUTINY. HROZÍ RIZIKO EXPLOZE.
- VE SPOTŘEBIČI NEPOUŽÍVEJTE JINÉ ELEKTRICKÉ SPOTŘEBIČE (NAPŘ. ELEKTRICKÝ VÝROBNÍK ZMRZLINY, MIXÉRY ATD.).
- PŘI ODPOJOVÁNÍ SPOTŘEBIČE Z ELEKTRICKÉ ZÁSUVKY, VŽDY TAHEJTE ZA ZÁSTRČKU. NETAHEJTE ZA KABEL.
- DO BLÍZKOSTI PLASTOVÝCH DÍLŮ TOHOTO SPOTŘEBIČE NEDÁVEJTE HORKÉ PŘEDMĚTY.
- NEDÁVEJTE ŽÁDNÉ PŘEDMĚTY DO BLÍZKOSTI VZDUCHOVÝCH OTVORŮ V ZADNÍ STĚNĚ.
- BALENÉ MRAZENÉ POTRAVINY SKLADUJTE V SOULADU S POKYNY VÝROBCE MRAZENÝCH POTRAVIN.
- MĚLI BYSTE STRIKTNĚ DODRŽOVAT DOPORUČENÍ TÝKAJÍCÍ SE SKLADOVÁNÍ VE SPOTŘEBIČI OD VÝROBCE. VIZ PŘÍSLUŠNÉ POKYNY O SKLADOVÁNÍ.
- DO MRAZICÍHO PROSTORU NEDÁVEJTE SYCENÉ NEBO ŠUMIVÉ NÁPOJE, PROTOŽE VYTVÁŘEJÍ TLAK NA NÁDOBU, KTERÁ MŮŽE EXPLODOVAT, COŽ MŮŽE VÉST K POŠKOZENÍ SPOTŘEBIČE.
- NEKONZUMUJTE MRAZENÉ POKRMY IHNED PO VYJMUTÍ Z MRAZNIČKY, MŮŽETE SE PORANIT.
- NEUMÍSTUJTE SPOTŘEBIČ NA PŘÍMÉ SLUNEČNÉ SVĚTLO.
- MĚJTE HORKÉ SVÍČKY, LAMPY A JINÉ PŘEDMĚTY S OTEVŘENÝM OHNĚM V DOSTATEČNÉ VZDÁLENOSTI OD SPOTŘEBIČE, ABYSTE ZABRÁNILI RIZIKU POŽÁRU.

- SPOTŘEBIČ JE URČEN NA USKLADNĚNÍ POKRMŮ A/ NEBO NÁPOJŮ V BĚŽNÉ DOMÁCNOSTI PODLE POPISU V NÁVODU. SPOTŘEBIČ JE TĚŽKÝ. ZVYŠTE POZORNOST PŘI JEHO PŘEMÍSTOVÁNÍ.
- NEVYJÍMEJTE ANI SE NEDOTÝKEJTE POLOŽEK V PROSTORU MRAZENÍ, POKUD MÁTE VLHKÉ/MOKRÉ RUCE, PROTOŽE TO MŮŽE VÉST K PORANĚNÍM POKOŽKY NEBO POPÁLENINÁM Z MRAZU.
- NIKDY NEPOUŽÍVEJTE DNO, ZÁSUVKY, DVÍŘKA APOD. NA STOUPÁNÍ NEBO JAKO PODPĚRU.
- MRAZENÉ POTRAVINY, NESMÍ BÝT PO ROZMRAZENÍ OPĚTOVNĚ ZMRAZENY.
- NEKONZUMUJTE LEDOVÉ NANUKY NEBO KOSTKY LEDU IHNED PO VYJMUTÍ Z MRAZNIČKY, PROTOŽE BYSTE SI TAK MOHLI PORANIT ÚSTA A RTY.
- ABYSTE ZABRÁNILI PÁDU PŘEDMĚTŮ A ZRANĚNÍ NEBO POŠKOZENÍ SPOTŘEBIČE, NEPŘETĚŽUJTE PŘIHRÁDKY DVÍŘEK ANI DO ZÁSUVK NEDÁVEJTE NADMĚRNÉ MNOŽSTVÍ POTRAVIN.

INSTALACE

DŮLEŽITÉ!

- PŘI PŘIPOJENÍ K ELEKTRICKÉ SÍTI BUĎTE OPATRNÍ, DODRŽUJTE POKYNY V TOMTO NÁVODU. SPOTŘEBIČ VYBALTE A ZKONTROLUJTE HO Z HLEDISKA VIDITELNÝCH POŠKOZENÍ.
- POKUD JE SPOTŘEBIČ POŠKOZENÝ, NEPŘIPOJUJTE HO. OZNAMTE PŘÍPADNÉ POŠKOZENÍ V MÍSTĚ ZAKOUPENÍ. V TOMTO PŘÍPADĚ SI NECHTE OBALOVÝ MATERIÁL.
- DOPORUČUJE SE POČKAT NĚKOLIK HODIN, PŘED PŘIPOJENÍM SPOTŘEBIČE, ABY SE OLEJ V KOMPRESORU USTÁLIL.
- OKOLO SPOTŘEBIČE ZAJISTĚTE DOSTATEČNÉ VĚTRÁNÍ, V OPAČNÉM PŘÍPADĚ MŮŽE DOCHÁZET K PŘEHŘÍVÁNÍ. PRO DOSAŽENÍ DOSTATEČNÉHO VĚTRÁNÍ DODRŽUJTE POKYNY K INSTALACI.
- POKUD JE TO MOŽNÉ, ZADNÍ STĚNA SPOTŘEBIČE BY NEMĚLA BÝT PŘÍLIŠ BLÍZKO STĚNY A NEMĚL BY SE DOTÝKAT HORKÝCH ČÁSTÍ (KOMPRESOR, KONDENZÁTOR), ABY SE ZABRÁNILO RIZIKU POŽÁRU, DODRŽUJTE PŘÍSLUŠNÉ POKYNY K INSTALACI.
- SPOTŘEBIČ NESMÍ BÝT UMÍSTĚN V BLÍZKOSTI RADIÁTORŮ NEBO SPORÁKŮ.
- PO INSTALACI SPOTŘEBIČE SE UJISTĚTE, ZDA JE SÍŤOVÁ ZÁSTRČKA SNADNO PŘÍSTUPNÁ.
- ODLOŽTE VŠECHNY OBALY MIMO DOSAH DĚTÍ, PROTOŽE HROZÍ RIZIKO UDUŠENÍ.
- VNITŘNÍ PROSTOR VAŠÍ CHLADNIČKY/MRAZNIČKY MŮŽE PŘED PRVNÍM POUŽITÍM ZAPÁCHAT. JE TO NORMÁLNÍ JEV. ZÁPACH ZMIZÍ, JAKMILE ZAČNE ZAŘÍZENÍ CHLADIT/MRAZIT.

- PŘED PŘIPOJENÍM CHLADNIČKY/MRAZNIČKY SE UJISTĚTE, ŽE NAPĚTÍ V ELEKTRICKÉ SÍTI ODPOVÍDÁ POŽADAVKŮM NA PŘIPOJENÍ CHLADNIČKY/MRAZNIČKY. V PŘÍPADĚ POCHYBNOSTÍ SE OBRAŤTE NA KVALIFIKOVANÉHO ELEKTRIKÁŘE.
- SPOTŘEBIČ MUSÍ BÝT PŘIPOJEN DO ZÁSUVKY S ODPOVÍDAJÍCÍM NAPĚTÍM A SPRÁVNĚ NAINSTALOVANOU POJISTKOVOU ZÁSUVKOU.
- CHLADNIČKA/MRAZNIČKA NESMÍ BÝT UMÍSTĚNA VENKU NEBO VYSTAVENA DEŠTI.
- CHLADNIČKA/MRAZNIČKA MUSÍ BÝT UMÍSTĚNA NEJMÉNĚ 50 CM OD TOPNÝCH TĚLES, TOPENÍ TRUB, PLYNOVÝCH TRUB ATD.
- POKUD JE CHLADNIČKA S MRAZNIČKOU UMÍSTĚNA VEDLE MRAZÁKU, MUSÍ MEZI NIMI BÝT MIN. 2 CM ROZESTUP.
- NA CHLADNIČKU/MRAZNIČKU NEPOKLÁDEJTE TĚŽKÉ VĚCI, NEZAKRÝVEJTE JI.
- NAD CHLADNIČKOU/MRAZNIČKOU MUSÍ BÝT MIN. 100 - 150 MM VOLNÝ PROSTOR.
- TENTO SPOTŘEBIČ JE VYROBEN K POUŽITÍ V DOMÁCNOSTECH A JE VHODNÝ POUZE PRO CHLAZENÍ /MRAZENÍ POTRAVIN. NENÍ VHODNÝ PRO KOMERČNÍ POUŽITÍ A / NEBO PRO SKLADOVÁNÍ LÁTEK S VÝJIMKOU POTRAVIN. VÝROBCE NENESE ZA ŽÁDNÉ ZTRÁTY, ZPŮSOBENÉ NEVHODNÝM POUŽITÍM SPOTŘEBIČE, ODPOVĚDNOST.

Pro standard EU


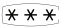


Tento spotřebič mohou používat děti ve věku od 8 let a starší a osoby se sníženými fyzickými, smyslovými nebo duševními schopnostmi nebo nedostatkem zkušeností a znalostí, jsou-li pod dohledem nebo jsou poučeny o používání spotřebiče bezpečným způsobem a rozumějí nebezpečím s tím souvisejícími. Děti si se spotřebičem nesmějí hrát. Čištění a uživatelskou údržbu nesmějí provádět děti bez dozoru.

Abyste předešli kontaminaci potravin, dodržujte následující pokyny:

- Otevírání dvířek na delší dobu může způsobit výrazné zvýšení teploty ve vnitřním prostoru spotřebiče.
- Pravidelně čistěte povrchy, které mohou přijít do kontaktu s potravinami a přístupné odtokové systémy.
- V případě nádržek na čistou vodu, pokud nebyly používány 48 hodin; propláchněte vodovodní systém připojený na vodovod, pokud se voda nečerpala 5 dní. **(Poznámka 1)(*)**
- Syrové maso a ryby skladujte ve vhodných nádobách v chladicím prostoru, aby se nedostaly do kontaktu s jinými potravinami a nekapaly na ně.
- Dvouhvězdičkové přihrádky na mražené potraviny jsou vhodné pro skladování předem mražených potravin, skladování nebo výrobu zmrzliny a výrobu kostek ledu. **(Poznámka 2)(*)**
- Přihrádky s 1 hvězdičkou, 2 hvězdičkami a 3 hvězdičkami nejsou vhodné pro zmrazování čerstvých potravin. **(Poznámka 3)(*)**
- Pro spotřebiče bez 4hvězdičkového prostoru: Tento spotřebič není vhodný pro zmrazování potravin. **(Poznámka 4)(*)**
- Necháte-li spotřebič delší dobu prázdný, vypněte jej, odmrzte, vyčistěte, vysušte a nechte dvířka otevřená, aby se ve spotřebiči netvořily plísňe.

Poznámka 1,2,3,4: Ujistěte se, zda je použitelný podle typu přihrádky pro váš produkt.

(*):Tato funkce se liší v závislosti na zakoupeném modelu.

	Symbol „4 hvězdičky“: Mrazicí prostor při teplotě -18 °C nebo nižší a má schopnost rychle zmrazit určité množství potravin
	Symbol „3 hvězdičky“: Mrazicí prostor při teplotě -18 °C nebo nižší
	Symbol „2 hvězdičky“: Mrazicí prostor při teplotě -12 °C nebo nižší
	Symbol „1 hvězdička“: Mrazicí prostor s cílovou teplotou a skladovacími podmínkami -6 °C

UPOZORNĚNÍ

Tento produkt se nedoporučuje používat se zásuvkami nebo hlavním vypínačem s funkcí A/GFCI, v opačném případě může způsobit falešné vypnutí.

1. Při spuštění nepředstavuje bezpečnostní riziko.
2. Pokud vypínání přetrvává, doporučuje se vyměnit zásuvky nebo hlavní vypínač bez funkce a/gfci.

VAROVÁNÍ

Riziko uvíznutí dítěte. Před vyhozením starého spotřebiče:

- > Sejměte dvířka spotřebiče.
- > Poličky nechte na svém místě, aby děti nemohly snadno vlézt dovnitř.

ČÁST 2: INSTALAČNÍ POKYNY

Před prvním použitím spotřebiče

Odstraňte vnější a vnitřní obal, důkladně otřete vnějšek měkkým suchým hadříkem a vnitřek vlhkou, vyždímanou utěrkou.

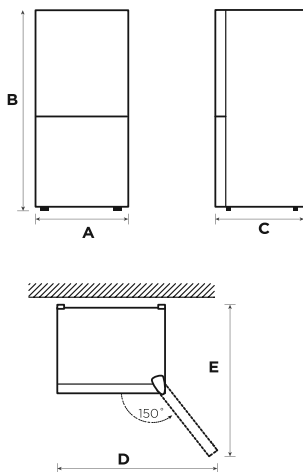
Neumísťujte skříňku spotřebiče do úzkého výklenku nebo do blízkosti jakéhokoli zdroje tepla, přímého slunečního záření nebo vlhkosti. Nechte vzduch volně cirkulovat kolem skříňky spotřebiče.

Při instalaci spotřebiče dbejte na to, aby na obou stranách zůstalo 10 cm volného prostoru, 10 cm na zadní straně spotřebiče a 10 cm v horní části spotřebiče.

Před připojením vašeho spotřebiče ke zdroji napájení zkontrolujte, zda napětí uvedené na typovém štítku vašeho spotřebiče odpovídá napětí ve vaší domácnosti. Jiné napětí může spotřebič poškodit.

Spotřebič musí být uzemněn. Výrobce neodpovídá za škody, které mohou nastat v důsledku používání bez uzemnění.

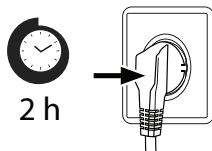
Zobrazení požadavků na prostor



A	B	C	D	E
470	1500	566	965	1093

Připojení spotřebiče

Po nainstalování produktu jej před zapnutím nechte více než 2 hodiny stát, jinak to povede ke snížení chladicího výkonu nebo poškození produktu.



Nechte spotřebič v provozu naprázdno 24 hodin, aby se vnitřní prostor mohl ochladit na vhodnou teplotu.

UPOZORNĚNÍ

Spotřebič by měl být vždy připojen do samostatné elektrické zásuvky, jejíž napětí odpovídá typovému štítku. Při umísťování spotřebiče se ujistěte, zda napájecí kabel není zachycený nebo poškozený.

Teplota okolí

V závislosti na klimatické třídě je tento spotřebič určen k používání při teplotě okolí, jak je uvedeno v následující tabulce.

Produkt nemusí správně fungovat při teplotách mimo specifický rozsah.

Klimatickou třídu naleznete na štítku produktu.

Klimatická třída	Teplota okolí
SN	+10 °C až +32 °C
N	+16 °C až +32 °C
ST	+16 °C až +38 °C
T	+16 °C až +43 °C

Máte-li jakékoli pochybnosti o instalaci, obraťte se prosím na prodejce, na náš zákaznický servis nebo na nejbližší autorizované servisní středisko.

UPOZORNĚNÍ

Chladicí výkon a spotřebu energie spotřebiče může ovlivnit teplota okolí, četnost otevírání dvířek spotřebiče a umístění spotřebiče. Doporučujeme dle potřeby upravit nastavení teploty.

Změna směru otevírání dvířek (volitelné)

Části zahrnuté v sadě závěsů:



Levý doraz (2)



Podložka

Části již namontované na dvířkách (jak jsou dodány):



Pravý doraz



Šroub pravého dorazu



Kryt otvoru (2)



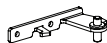
Kryt horního závěsu



Šrouby horního závěsu



Horní závěs



Střední závěs



Šrouby středního závěsu



Spodní závěs



Nastavitelná nožička

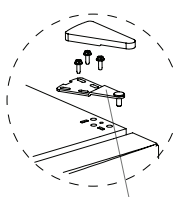
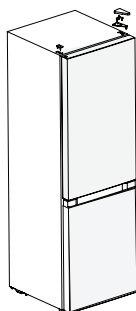
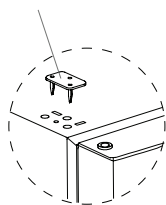


Kryt otvoru

Kroky:

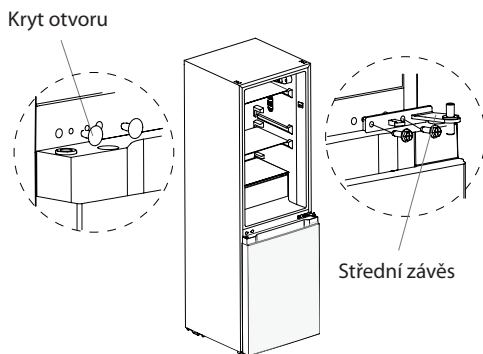
1. Vypněte spotřebič a vyjměte všechny předměty z regálů ve dvířkách.
2. Odstraňte kryt horního závěsu, poté demontujte šrouby horního závěsu, horní závěs a uzávěr otvoru, který je připevněn na druhé straně.

Kryt otvoru



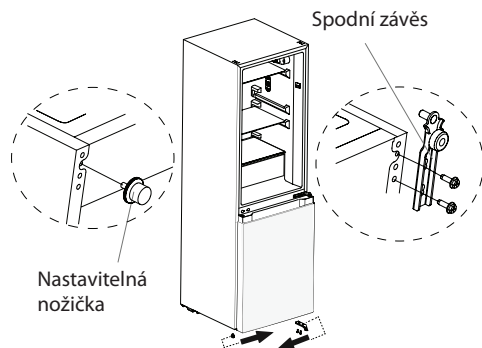
Horní závěs

3. Demontujte dvířka chladicího prostoru, střední závěs a kryty otvorů.



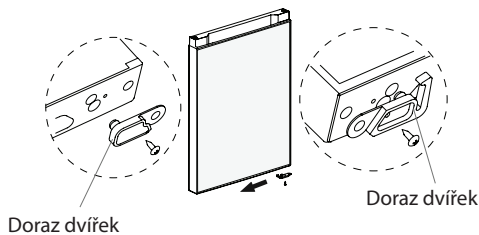
4. Demontujte dvířka mrazicího prostoru, demontujte spodní závěs a nastavitelnou nožičku na druhé straně.

5. Vyměňte pevnou polohu nastavitelné nožičky a spodního závěsu a poté je znovu zajistěte.

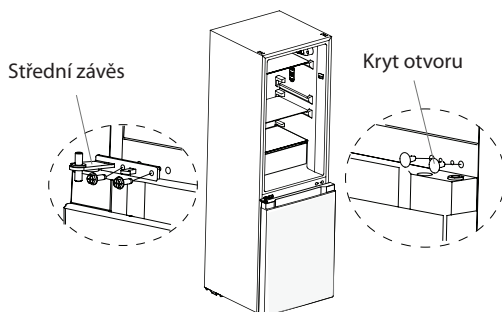


6. Demontujte šrouby a dorazy, které jsou upevněny na spodním krytu dvířek chladicího prostoru a dvířek mrazicího prostoru.

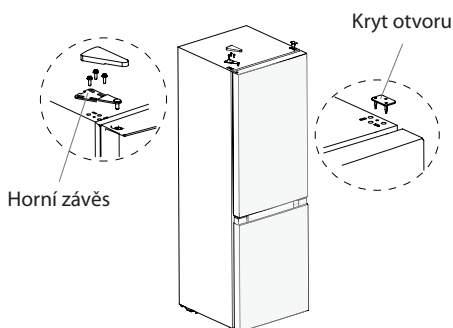
7. Vyměňte doraz z příloženého plastového sáčku, upevněte doraz šrouby na druhé straně spodního krytu dvířek chladicího prostoru a dvířek mrazicího prostoru.



- Umístěte dvířka mrazicího prostoru shora dolů, vyjměte podložku z přiloženého plastového sáčku a nasadte ji na otvor osy na druhé straně dvířek mrazicího prostoru.
- Upevněte střední závěs pomocí šroubů a nainstalujte 2 kryty otvorů.



- Nasadte dvířka chladicího prostoru na střední závěs, namontujte horní závěs na druhou stranu, připevněte kryt závěsu na horní závěs a připevněte kryt otvoru, jak je znázorněno na obrázcích níže.



UPOZORNĚNÍ

Rozdíly: V důsledku technických změn a různých modelů se některé obrázky v tomto návodu mohou lišit od vašeho modelu.



Vyrovňovací nožičky

Abyste předešli vibracím, musí být spotřebič vyrovnan.

V případě potřeby upravte vyrovňovací nožičky, abyste vyrovnali nerovnou podlahu.

Přední část by měla být o něco vyšší než zadní, aby se usnadnilo zavírání dvířek spotřebiče.

Vyrovňovací nožičky lze snadno otáčet mírným nakloněním skříňky spotřebiče.

Otáčením vyrovňovacích nožiček proti směru hodinových ručiček  spotřebič zvednete, ve směru hodinových ručiček  jej snížíte.

Výměna žárovky osvětlení

Jakoukoli výměnu nebo údržbu LED žárovek má provést výrobce, jeho servisní zástupce nebo podobně kvalifikovaná osoba.

Tento výrobek obsahuje světelný zdroj třídy energetické účinnosti (G).

Po připojení napájecího kabelu (nebo zástrčky) do elektrické zásuvky počkejte 2 nebo 3 hodiny, než do spotřebiče vložíte potraviny. Přidáte-li jídlo dříve, než spotřebič zcela vychladne, jídlo se může pokazit.

Přemístění spotřebiče

1. Vyjměte všechny položky ze spotřebiče.
2. Vytáhněte síťovou zástrčku, zasuňte a upevněte ji na háček síťové zástrčky na zadní nebo horní straně spotřebiče.
3. Části, jako jsou police a dvířka, přilepte páskou, aby při přemísťování spotřebiče nespadly.
4. Přemísťujte spotřebič s více než dvěma osobami opatrně. Při přepravě spotřebiče na velkou vzdálenost udržujte spotřebič ve svislé poloze.

Tipy pro úsporu energie

Spotřebič neumísťujte do blízkosti sporáků, radiátorů nebo jiných zdrojů tepla. Pokud je okolní teplota vysoká, kompresor bude v provozu častěji a déle, což má za následek zvýšenou spotřebu energie. Zajistěte dostatečné větrání ve spodní části spotřebiče, po stranách spotřebiče a na zadní straně spotřebiče. Dodržujte prosím i roztečové rozměry uvedené v kapitole „Instalace“.

Uspořádání zásuvek, polic a regálů, jak je uvedeno v přehledu produktu, nabízí nejefektivnější využití energie a mělo by být co nejvíce zachováno.

Pro získání většího úložného prostoru (např. pro velké chlazené/mrazené zboží) lze vyjmout střední zásuvky a police. Horní a spodní zásuvky a police by měly být v případě potřeby vyjmuty jako poslední.

K optimálnímu využití energie přispívá rovnoměrně naplněný chladicí/mrazicí prostor.

Teplé potraviny nechte před vložením do chladicího/mrazicího prostoru vychladnout. Potraviny, které již vychladly, zvyšují energetickou účinnost.

Nechte zmrazené potraviny rozmrazit v chladicím prostoru. Chlad mrazených potravin snižuje spotřebu energie v chladicím prostoru a tím zvyšuje energetickou účinnost.

Dvířka otevírejte jen tak krátce, jak je potřeba, abyste minimalizovali ztráty chladu. Krátké otevření dvířek a jejich správné zavření snižuje spotřebu energie.

Nastavení teploty ne nižší, než je potřebné, přispívá k optimálnímu využití energie. Těsnění dvířek vašeho spotřebiče musí být dokonale neporušené, aby se dvířka správně zavírala a zbytečně se nezvyšovala spotřeba energie.

Spotřebič mimo provoz

Výpadek dodávky elektrické energie:

V případě výpadku dodávky elektrické energie, i když je to v létě, mohou potraviny ve spotřebiči zůstat několik hodin; během výpadku dodávky elektrické energie je třeba zkrátit časy otevírání dvířek a do spotřebiče se již nesmí vkládat žádné čerstvé potraviny.

Dlouhodobé nepoužívání:

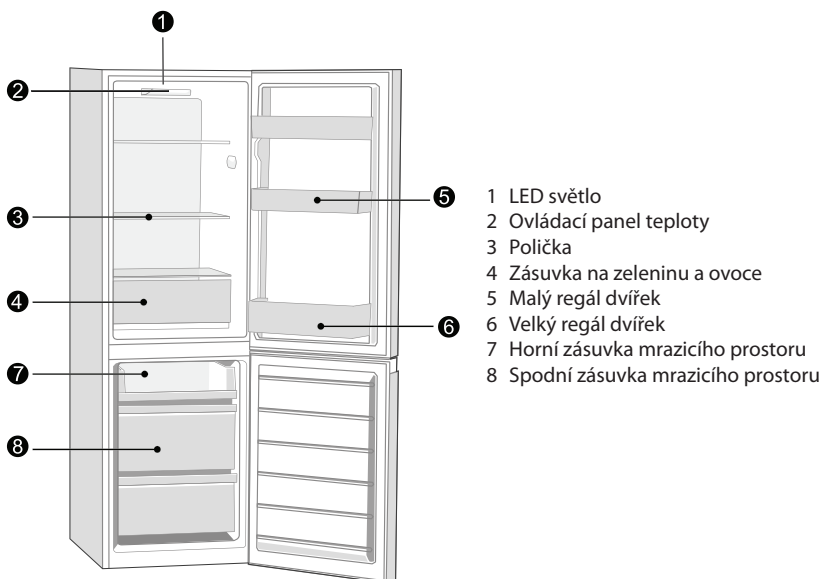
Spotřebič se musí odpojit a poté vyčistit; pak se dvířka nechají otevřená, aby se zabránilo zápachu.

Přemístění:

Před přemístěním spotřebiče vyjměte všechny předměty z vnitřního prostoru, připevněte skleněné příčky, zásuvku na zeleninu, zásuvky mrazícího prostoru atd. páskou a utáhněte vyrovnávací nožičky; zavřete dvířka a připevněte je páskou. Během přemísťování nesmí být spotřebič položen vzhůru nohama nebo vodorovně a nesmí být vystaven vibracím; sklon během pohybu nesmí být větší než 45°.

ČÁST 3: PŘEHLED JEDNOTLIVÝCH ČÁSTÍ SPOTŘEBIČE

Normální typ



- > Pro co nejefektivnější využití energie uchovávejte všechny vnitřní položky, jako jsou regály, zásuvky, police a boxy na kostky ledu, v poloze dodané výrobcem.
- > Tento chladicí spotřebič je třeba instalovat samostatně a nelze jej použít jako vestavný. Jinak to způsobí problémy, jako je snížení výkonu a životnosti spotřebiče. A výrobce neposkytuje základní záruku na spotřebič.

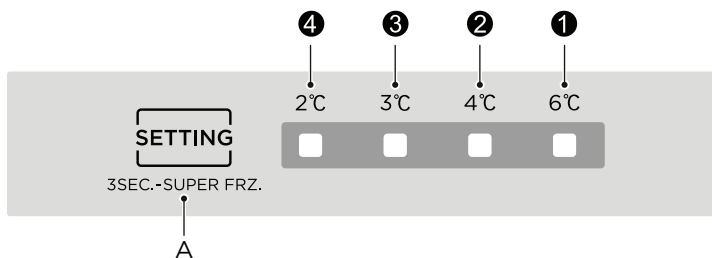
UPOZORNĚNÍ

Rozdíly: V důsledku technických změn a různých modelů se některé obrázky v tomto návodu mohou lišit od vašeho modelu.

ČÁST 4: PROVOZNÍ POKYNY

Použití a funkce spotřebiče

Funkce



Displej

1. LED indikátor 1 : 6 °C
2. LED indikátor 2 : 4 °C
3. LED indikátor 3 : 3 °C
4. LED indikátor 4 : 2 °C

Tlačítko

A Tlačítko nastavení (Tlačítko nastavení teploty chladicího prostoru)

Zobrazení

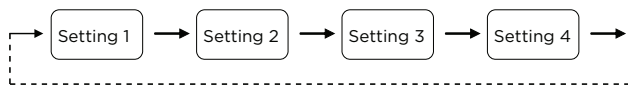
- > Po prvním zapnutí se obrazovka displeje zobrazí na 3 sekundy a poté je spotřebič v provozu podle nastavení 2 (4 °C).
- > V případě poruchy, začne blikat příslušný LED indikátor.
- > V případě běžného provozu, zobrazuje aktuální nastavení teploty v chladicím prostoru.

Chybový kód	Popis chyby
LED indikátor 1	Snímač okolní teploty
LED indikátor 2	Snímač odmrazování mrazicího prostoru
LED indikátor 3	Snímač odmrazování chladicího prostoru
LED indikátor 4	Obvod snímače teploty chladicího prostoru

Nastavení teploty

Po každém stisknutí tlačítka nastavení teploty A se nastavení teploty jednou změní. Po dokončení nastavení teploty bude spotřebič po 30 sekundách fungovat podle nastavené hodnoty.

Postup nastavení je:



Režim rychlého mrazení

Podržte stisknuté tlačítko nastavení teploty v trvání 3 sekund, po rozsvícení LED indikátoru ② a LED indikátoru ③ na 30 sekund přejde spotřebič do režimu rychlého zmrazení.

Dlouhým stisknutím tlačítka nastavení teploty na 3 sekundy můžete zrušit režim rychlého mrazení.

Doporučené nastavení:

Chladicí prostor 4 °C.

UPOZORNĚNÍ

Funkce rychlého mrazení je navržena tak, aby zachovala nutriční hodnotu potravin v mrazicím prostoru.

Dokáže zmrazit potraviny v co nejkratším čase. Pokud je najednou zmrazeno velké množství potravin, doporučuje se, aby uživatel zapnul funkci rychlého mrazení a vložil potraviny. V tomto okamžiku se rychlost mrazení v mrazicím prostoru zvýší, což může potraviny rychle zmrazit a efektivně tak zajistit nutriční hodnoty potravin a usnadnit jejich skladování.

Skladování potravin

Mrazicí prostor

Mrazicí prostor je určen pro nízkoteplotní zmrazování potravin, dlouhodobé skladování mražených potravin a pro výrobu kostek ledu.

Věnujte pozornost klasifikaci hvězdičkami (4 hvězdičky, 2 hvězdičky a 1 hvězdička) v mrazicím prostoru a z toho vyplývající doby skladování mražených potravin.

Nepokládejte čerstvé a mražené potraviny vedle sebe. Mražené potraviny se mohou rozmrazit.

Při zmrazování velkého množství čerstvých potravin (jako je maso, ryby nebo sekané maso) je před vložením rozdělte na několik malých kousků, aby se daly rychle zmrazit a snadno vyjmout.

Dodržujte doby skladování doporučené výrobcí potravin na obalech, a pokud na obalu nejsou žádné informace, potraviny by se neměly skladovat zmražené déle než tři měsíce od data jejich zakoupení.

Při nákupu mražených potravin se ujistěte, zda byly zmrazeny na vhodnou teplotu a zda jejich obal není poškozený.

Zmražené potraviny by měly být uchovávány ve vhodných individuálních obalech, aby se zajistilo, že přilehlé potraviny nebudou kontaminovány. Rozmražené potraviny ihned zkonsumujte, znovu je nezmrazujte.

V případě delšího výpadku dodávky elektrické energie nebo poruchy spotřebiče vyjměte uložené mražené potraviny a zkontrolujte, zda jsou ještě jedlé, poté je uložte na dostatečně chladném místě nebo v jiném spotřebiči.

Chcete-li potraviny rozmrazit, vyjměte je z mrazicího prostoru a nechte rozmrazit při pokojové teplotě nebo v chladicím prostoru. Pro rychlé rozmrazování potravin můžete použít například funkci rozmrazování na vaší mikrovlnné troubě.

Chcete-li rozmrazit pouze část balení, vyjměte část, kterou potřebujete, a zbytek balení ihned zavřete. Tímto způsobem se vyhnete „popálení mrazem“ a snížíte tvorbu námrazy na zbylých potravinách.

Chladicí prostor

Abyste snížili vlhkost a následnou tvorbu námrazy, nikdy nevkládejte do chladicího prostoru tekutiny v neutěsněných nádobách.

Námraza má tendenci koncentrovat se v nejmraznějších částech výparníku. Skladování nezakrytých tekutin má za následek častější potřebu rozmrazování.

Nikdy nevkládejte do chladicího prostoru teplé potraviny. Ty by měly nejprve vychladnout při pokojové teplotě a poté je umístit tak, aby byla zajištěna dostatečná cirkulace vzduchu v chladicím prostoru.

Potraviny nebo nádoby na potraviny by se neměly dotýkat zadní stěny chladicího prostoru, protože by mohly přimrznout ke stěně. Neotevírejte pravidelně dvířka chladicího prostoru.

Maso a vyčištěné ryby (zabalené v obalu nebo plastové fólii) můžete vložit do chladicího prostoru a můžete je použít do 1–2 dnů.

Ovoce a zeleninu bez obalu lze umístit do části určené pro čerstvé ovoce a zeleninu.

UPOZORNĚNÍ

Skladování velmi velkého množství potravin během provozu po prvním připojení k napájení může nepříznivě ovlivnit mrazicí účinek spotřebiče.

Období a teploty skladování

Poznámky: Dlouhodobé skladování nebo skladování při nevhodné teplotě mrazení může způsobit ztrátu kvality nebo zkažení potravin, což způsobuje plýtvání potravinami, které jsou nepoživatelné a mohou způsobit otravu jidlem. Minimální teplota by ve většině případů měla být -18 °C nebo nižší.

Dodržujte maximální doporučené doby skladování uvedené níže:

- > Dušené maso, zmrzlina, párky, chléb: 2–6 měsíců.
- > Ryby, krevety, jehněčí, maso: 4–8 měsíců.
- > Zelenina, ovoce, drůbež, hovězí maso: 6–12 měsíců.

ČÁST 5: ÚDRŽBA A ČIŠTĚNÍ

UPOZORNĚNÍ

Před provedením jakékoli běžné údržby odpojte spotřebič od elektrické sítě. Před opětovným spuštěním spotřebiče počkejte alespoň 5 minut, protože časté spouštění může poškodit kompresor.

K urychlení procesu odmrazování nepoužívejte mechanická zařízení ani jiné prostředky, než jsou ty, které doporučuje výrobce.

Nepokoušejte se spotřebič sami opravovat, rozebírat nebo upravovat. V případě opravy kontaktujte naše servisní středisko.

Alespoň jednou za rok odstraňte prach na zadní straně spotřebiče, abyste předešli nebezpečí požáru, jakož i zvýšené spotřebě energie.

Pravidelně kontrolujte těsnění dvířek, abyste se ujistili, zda na něm nejsou žádné nečistoty. Očistěte těsnění dvířek měkkým hadříkem navlhčeným v mýdlové vodě nebo zředěném saponátu.

Vnitřní prostor spotřebiče by se měl pravidelně čistit, aby nevznikal zápach.

K čištění vnitřního prostoru výrobku použijte měkký hadřík nebo houbu se dvěma polévkovými lžicemi jedlé sody a litrem teplé vody.

Potom ho opláchněte vodou a otřete dočista.

Po vyčištění otevřete dvířka a před zapnutím spotřebiče nechte přirozeně vyschnout.

Místa, která se ve spotřebiči obtížně čistí (jako jsou úzké spáry, mezery nebo rohy), se doporučuje pravidelně utírat měkkým hadříkem, měkkým kartáčem atd. a v případě potřeby kombinovat s některými pomocnými nástroji (jako např. tenké vatové tyčinky), aby se v těchto oblastech nehromadily žádné nečistoty nebo bakterie.

Vnější povrch spotřebiče otřete měkkým hadříkem navlhčeným v mýdlové vodě, saponátu atd. a pak otřete dosucha.

Nepoužívejte tvrdé kartáče, čisticí ocelové kuličky, drátěné kartáče, abrazivní prostředky (jako jsou zubní pasty), organická rozpouštědla (jako je alkohol, aceton, banánový olej atd.), vařící vodu, kyselé nebo alkalické látky, které mohou poškodit povrch a vnitřní prostor spotřebiče.

Vroucí voda a organická rozpouštědla jako benzen mohou deformovat nebo poškodit plastové části.



Během čištění neoplachujte části spotřebiče přímo vodou ani jinými tekutinami, abyste předešli zkratům nebo neovlivnili elektrickou izolaci po ponoření do tekutiny.

Odmrazování

Na vnitřních stěnách mrazicího prostoru se může objevit vrstva námrazy, pokud se dvířka mrazicího prostoru často otevírají nebo jsou velmi dlouho otevřená. Pokud je námraza velmi hrubá, vyberte si čas, kdy jsou zásoby potravin nízké, a postupujte následujícím způsobem:

1. Vyjměte stávající koše na potraviny a příslušenství, odpojte spotřebič od elektrické sítě a nechte dvířka otevřená. Důkladně větrejte místnost, abyste urychlili proces odmrázování.
2. Po dokončení odmrázování vyčistěte mrazicí prostor podle výše uvedeného popisu.

UPOZORNĚNÍ!

K odstranění námrazy z mrazicího prostoru nepoužívejte ostré předměty. Teprve po úplném vyschnutí vnitřního prostoru by měl být spotřebič opět zapnut a připojen do elektrické zásuvky.

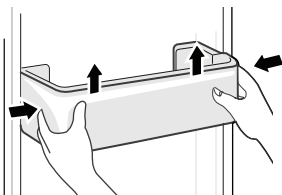
POZOR

Po spuštění musí být spotřebič v nepřetržitém provozu. Obecně se provoz spotřebiče nesmí přerušit, jinak může dojít ke snížení životnosti.

Čištění regálu na dvířkách

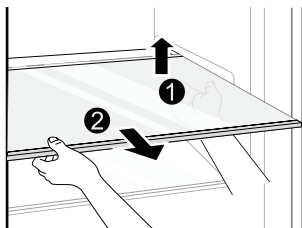
Podle směrové šipky na obrázku níže stiskněte regál oběma rukama a zatlačte jej nahoru, poté jej můžete vyjmout.

Po vyjmutí regálu můžete nastavit jeho výšku instalace dle vašich požadavků.



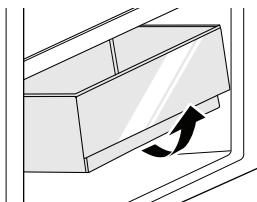
Čištění skleněné poličky

Jelikož nejvnitřnější část vložky chladicího prostoru, kde se dotýká poliček, má zpětnou záračku, zvedněte poličky směrem nahoru, pak je budete moci vyjmout. Upravte nebo vyčistěte poličky dle vašich požadavků.



Čištění zásuvky na zeleninu a ovoce

Vyjměte obsah zásuvky. Uchopte rukojeť zásuvky na zeleninu a ovoce a úplně ji vytáhněte, dokud se nezastaví. Zvedněte zásuvku na zeleninu a ovoce a vyjměte ji vytažením.



UPOZORNĚNÍ

Rozdíly: V důsledku technických změn a různých modelů se některé obrázky v tomto návodu mohou lišit od vašeho modelu.

ČÁST 6: ŘEŠENÍ PROBLÉMŮ

Následující jednoduché problémy může vyřešit uživatel. Pokud se problémy nevyřeší, zavolejte na oddělení servisního střediska.

Problém	Možné příčiny	Řešení
Spotřebič nefunguje.	<ul style="list-style-type: none">Napájecí zdroj není zapnutý a zástrčka není pevně zasunuta.Nízké napětí, výpadek proudu nebo vypnutá část obvodu.	<ul style="list-style-type: none">Pevně zasuňte zástrčku napájecího kabelu.Zkontrolujte napájení domácnosti.
Světlo nesvítí.	<ul style="list-style-type: none">Spotřebič není zapnutý.Světlo je poškozeno.	<ul style="list-style-type: none">Odpojte a znovu připojte napájecí kabel.Vyměňte žárovku za novou.
Ovoce nebo zelenina jsou zmrazeny.	<ul style="list-style-type: none">Jsou potraviny umístěny v zadní části spotřebiče? V oblasti u zadní stěny jsou nejchladnější teploty.Ovoce nebo zelenina se skladují v zóně Fresh/Chill.	<ul style="list-style-type: none">Neumísťujte potraviny, které mohou snadno zamrznout, do zadní části chladicího prostoru.Zóna Fresh/Chill je určena pouze pro maso/ryby.
Spotřebič se přechlazuje.	<ul style="list-style-type: none">Regulace teploty není nastavena správně.	<ul style="list-style-type: none">Nastavte vyšší teplotu.
Kompresor je v provozu dlouhou dobu.	<ul style="list-style-type: none">Vysoká okolní teplota způsobující dlouhý provozní čas.Bylo vloženo velmi velké množství potravin současně.Pokrm byl vložen dříve, než vychladl.Velmi časté otevírání dvířek.Vrstva námrazy uvnitř je velmi hrubá.	<ul style="list-style-type: none">Toto je normální.Nedávejte příliš mnoho potravin současně.Před vložením pokrmu počkejte, dokud nevychladne.Neotevírejte dvířka velmi často.Je třeba provést odmrazení.
Dvířka se nezavírají správně.	<ul style="list-style-type: none">Na dvířkách jsou přilepené předměty.Ve spotřebiči je velmi mnoho potravin.Deformované těsnění dvířek.	<ul style="list-style-type: none">Nedávejte příliš mnoho potravin.Spotřebič umístěte stabilně.Zahřejte těsnění dvířek a poté ho ochladte na obnovení tvaru (pomocí elektrického vysoušeče nebo teplé vody).
Vnější povrch spotřebiče je horký.	<ul style="list-style-type: none">Když je spotřebič v provozu, teplo se odvádí ven přes kovové trubky uvnitř skříňky spotřebiče.Vyšší teploty okolí v létě způsobují zvýšení teploty vnějšího povrchu.	<ul style="list-style-type: none">Vyšší teplota na vnějším povrchu je normální.Zvětšete prostor pro odvod tepla nebo umístěte spotřebič na větrané a chladné místo.
Křížové nebo svíslé nosníky jsou horké.	<ul style="list-style-type: none">Uvnitř nosníků jsou kovové trubky a teplo uvolněné z trubek zabraňuje kondenzaci.	<ul style="list-style-type: none">Toto je normální.

Problém	Možné příčiny	Řešení
Zápach.	<ul style="list-style-type: none"> • Zkažené jídlo. • Potraviny se silným zápachem. • Vnitřní prostor je znečištěný. 	<ul style="list-style-type: none"> • Vyčistěte a odstraňte všechny zkažené potraviny. • Ujistěte se, zda jsou potraviny se silným zápachem vzduchotěsně zabaleny. • Vyčistěte vnitřní prostor.
Skutečná teplota se liší od nastavené teploty.	<ul style="list-style-type: none"> • Po vložení teplého pokrmu se teplota dočasně zvýší. • Po nastavení nové teploty bude chvíli trvat, než teplota ve vnitřním prostoru dosáhne nastavené teploty, když se dvířka neotevřou. • Po teplotní stabilitě jsou skutečné teploty na různých místech ve vnitřním prostoru rozdílné, s odchylkou asi ± 3 °C. 	<ul style="list-style-type: none"> • Toto je normální. • Před testováním skutečné teploty nějaký čas počkejte.
Na vnější straně se tvoří kondenzát.	<ul style="list-style-type: none"> • Při vysoké vlhkosti v místnosti se může tvořit kondenzace vlhkosti. 	<ul style="list-style-type: none"> • Toto je normální. Kondenzaci otřete suchým hadříkem.
Uvnitř chladicího prostoru a zásuvek se tvoří kondenzát.	<ul style="list-style-type: none"> • Chladicí prostor udržuje vysokou vlhkost, aby zelenina a jiné potraviny zůstaly čerstvé. • V místnosti je velmi vysoká vlhkost a dvířka se často otevírají. • Těsnění dvířek netěsní. 	<ul style="list-style-type: none"> • Kondenzaci otřete suchou utěrkou. • Neotevírejte dvířka tak často nebo je nenechávejte otevřená příliš dlouho. • Zkontrolujte těsnění dvířek, vyčistěte nebo správně umístěte.
Námraza kolem průduchů.	<ul style="list-style-type: none"> • Dvířka nejsou správně zavřená. • Těsnění dvířek netěsní. 	<ul style="list-style-type: none"> • Ujistěte se, zda potraviny neblokují dvířka. • Zkontrolujte těsnění dvířek, vyčistěte nebo správně umístěte.
Dvířka se otevírají obtížně.	<ul style="list-style-type: none"> • Rozdíl v tlaku vzduchu mezi vnitřní a vnější částí spotřebiče může někdy ztížit otevření dvířek mrazicího prostoru. 	<ul style="list-style-type: none"> • Počkejte chvíli a potom se pokuste pomalu otevřít dvířka.

Při běžném používání spotřebiče je slyšet určité zvuky, které nemají vliv na jeho správnou činnost.

Zvuky, kterým lze snadno zabránit:

- > Hluk způsobený nerovnoměrně umístěným spotřebičem – nastavte polohu pomocí nastavitelných otočných předních nožiček. Případně umístěte pod zadní válečky podložky z měkkého materiálu, zvláště pokud je spotřebič umístěn na dlaždicích.
- > Spotřebič se dotýká sousedního kusu nábytku – přesuňte spotřebič dále.
- > Vrzání zásuvek nebo poliček – zásuvku nebo poličku vyjměte a vraťte zpět na své místo.
- > Zvuky cinkání láhví – rozdělte láhve od sebe.

Zvuky slyšitelné při běžném používání jsou způsobeny hlavně provozem kompresoru (zapnutí) a chlazení, systému (tepelná expanze a kontrakce chladiče způsobená prouděním chladicího média).

ČÁST 7: INFORMAČNÍ LIST

Informační list

PHILCO 

NAŘÍZENÍ KOMISE V PŘENESENÉ PRÁVOMOCI (EU) 2019/2016 o uvádění spotřeby energie na energetických štítcích chladicích spotřebičů

Název nebo ochranná známka výrobce: PHILCO

Adresa výrobce: PHILCO, U Sanitasu 1621, 25101 Říčany, CZ

Identifikační značka modelu: PCS 262 EW, PCS 262 EX

Typ chladicího zařízení:

Nízkohlučný spotřebič:	Ne	Typ spotřebiče:	volně stojící
Zařízení pro skladování vína:	Ne	Ostatní chladicí spotřebiče	Ano

Základní specifikace:

Parametr	Hodnota	Parametr	Hodnota
Rozměry v mm	Výška	Celkový objem (dm ³ nebo l)	173
	Šířka		
	Hĺbka		
Index energetické účinnosti (EEI)	99	Třída energetické účinnosti*	E
Akustický zvuk emise hluku (dB(A) re 1 pW)	41	Třída akustických emisí hluku	C
Roční spotřeba energie (kWh/rok)	203	Klimatická třída:	rozšířené mírné pásmo, mírné pásmo, subtropické pásmo
Minimální okolní teplota (°C), pro které je chladicí zařízení vhodné	10	Maximální okolní teplota (°C), pro které je chlazení zařízení je vhodné	38
Nastavení spotřebiče na zimu	Áno		

Specifikace prostoru

Typ prostoru	Parametry a hodnoty chladicího prostoru			
	Objem spotřebiče (dm ³ nebo l)	Doporučené nastavení teploty pro optimalizované skladování potravin (°C)	Mrazicí kapacita (kg/24h)	Typ odmrazování: (auto-odmrazování = A manuální odmrazování = M)
Komora / spíž	Ne	-	-	-
Skladování vína	Ne	-	-	-
Sklepní prostor	Ne	-	-	-

Čerstvé potraviny	Ano	120,0	4	-	A
Mrazicí prostor	Ne	-	-	-	-
0-hvězdička nebo výrobník ledu	Nie	-	-	-	-
1-hvězdička	Nie	-	-	-	-
2-hvězdička	Nie	-	-	-	-
3-hvězdička	Nie	-	-	-	-
4-hvězdička	Ano	53,0	-18	3,0	A
2-hvězdičkový prostor	Ne	-	-	-	-
Zásuvka s měničím se teplotou	Nie	-	-	-	-
4-hvězdičkový prostor					
Funkce rychlého zmrazení			Ano		
Parametry světelného zdroje:					
Typ světelného zdroje			LED		
Třída energetické účinnosti			G		
Minimální doba trvání záruky nabízené výrobcem: 24 měsíců					
Dodatečné informace:					
Webový odkaz na web výrobce, kde jsou informace uvedené v bodě 4 (a) přílohy nařízení Komise (EU) 2019/2022 nalezeno: www.philco.cz					

TECHNICKÉ INFORMACE

Technické informace se nachází na typovém štítku na vnitřní straně spotřebiče a na energetickém štítku. QR kód, na dodaném energetickém štítku, obsahuje odkaz na registraci spotřebiče v databázi EU Eprel. Uchovejte si energetický štítek, návod k použití, spolu s dalšími dokumenty dodanými s přístrojem.

INFORMACE O TESTOVÁNÍ

Dodané zařízení je v souladu s Ecodesignem a EN 62552-1:2020, EN 62552-2:2020, EN 62552-3:2020 EN IEC 60704-1:2021 EN 60704-2-14:2013+A11:2015+A1:2019. Požadavky na přístup vzduchu pro správný provoz přístroje, minimální vzdálenost od zdi a rozměry přístroje, jsou součástí tohoto návodu. V případě dalších dotazů se obraťte na výrobce.

PÉČE O ZÁKAZNÍKA A SERVIS

Vždy používejte pouze originální náhradní díly.

Označení modelu a sériové číslo naleznete na typovém štítku. Polohu typového štítku je možné změnit bez předchozího upozornění.

Originální náhradní díly pro některé konkrétní komponenty jsou k dispozici minimálně 7 nebo 10 let.

Závisí to na typu komponentu a na uvedení posledního spotřebiče daného modelu na trh.

Při kontaktování našeho autorizovaného servisu mějte k dispozici modelové označení, sériové číslo a popis závady.

Pro stažení dokumentů navštivte www.philco.cz.

Pro nahlášení závady a získání dalších servisních informací navštivte <https://philco.cz/podpora-a-servis>.

Změny vyhrazeny bez předchozího upozornění.

POKYNY A INFORMACE TÝKAJÍCÍ SE LIKVIDACE POUŽITÝCH OBALOVÝCH MATERIÁLŮ

Obalové materiály zlikvidujte na veřejném místě pro likvidaci odpadu.

LIKVIDACE POUŽITÝCH ELEKTRICKÝCH A ELEKTRONICKÝCH SPOTŘEBIČŮ



Význam symbolu na výrobku, jeho příslušenství nebo obalu znamená, že s tímto výrobkem nesmí být zacházeno jako s komunálním odpadem. Tento výrobek zlikvidujte na příslušném sběrném místě pro recyklaci odpadu z elektrických a elektronických zařízení. Popřípadě je možné v některých státech Evropské unie nebo jiných evropských státech vrátit své výrobky místnímu prodejci, v případě koupě obdobného nového výrobku. Správná likvidace tohoto výrobku pomůže ušetřit cenné přírodní zdroje a pomoci při prevenci případného negativního vlivu na životní prostředí a lidské zdraví, ke kterému by mohlo dojít v důsledku nesprávné likvidace odpadu. Podrobnější informace získáte od místního úřadu nebo v nejbližším středisku pro sběr odpadu. Nesprávná likvidace tohoto typu odpadu může podléhat vnitrostátním předpisům o pokutách.

Pro podnikatelské subjekty v Evropské unii

Chcete-li zlikvidovat elektrické nebo elektronické zařízení, vyžádejte si potřebné informace od svého prodejce nebo dodavatele.

Likvidace v jiných státech mimo Evropské unie

Chcete-li zlikvidovat tento výrobek, vyžádejte si potřebné informace o správném způsobu likvidace od místních úřadů nebo svého prodejce.



Tento výrobek splňuje všechny základní požadavky nařízení EU, které se na něj vztahují.

Změny v textu, designu a technických údajích se mohou vyskytnout bez předchozího upozornění a vyhraujeme si právo provést tyto změny.

Originál tohoto návodu k obsluze je v českém jazyce.

CHLADNIČKA - MRAZNIČKA

NÁVOD NA OBSLUHU

PHILCO



Famous for Quality the World Over

PC 173 ENW

PC 173 ENX

**Vážený zákazník,
ďakujeme vám za kúpu produktu značky PHILCO. Aby vám váš spotrebič dobre slúžil, prečítajte si,
prosím, pozorne všetky pokyny v tejto používateľskej príručke.**

OBSAH

ČASŤ 1: BEZPEČNOSTNÉ POKYNY	2
ČASŤ 2: INŠTALAČNÉ POKYNY	13
ČASŤ 3: PREHLAD JEDNOTLIVÝCH ČASŤÍ SPOTREBIČA	20
ČASŤ 4: PREVÁDZKOVÉ POKYNY	21
ČASŤ 5: ÚDRŽBA A ČISTENIE	23
ČASŤ 6: RIEŠENIE PROBLÉMOV	26
ČASŤ 7: INFORMAČNÝ LIST	29



Zariadenie bolo testované podľa platných smerníc Európskej únie. Zariadenie vyhovuje bezpečnostným ustanoveniam platným pre elektrické spotrebiče v Európskej únii.

ČASŤ 1: BEZPEČNOSTNÉ POKYNY

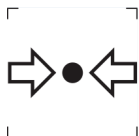
1.1 Všeobecné bezpečnostné upozornenia



Z DÔVODU VAŠEJ BEZPEČNOSTI A SPRÁVNEHO POUŽITIA, EŠTE PRED INŠTALÁCIOU A PRVÝM POUŽITÍM SPOTREBIČA, SI POZORNE PREČÍTAJTE TENTO NÁVOD NA OBSLUHU, VRÁTANE TÝCHTO TIPOV A VAROVANÍ. ABY STE ZABRÁNILI NEŽIADUCIM CHYBÁM A NEHODÁM, JE DÔLEŽITÉ ZAISTIŤ, ABY SA VŠETKY OSOBY POUŽÍVAJÚCE TENTO SPOTREBIČ DÔKLADNE ZOZNÁMILI S JEHO OBSLUHOU A BEZPEČNOSTNÝMI FUNKCIAMI. USCHOVAJTE SI TIETO POKYNY A V PRÍPADE PREDANIA SPOTREBIČA SA UISTITE, ČI ZOSTAL TENTO NÁVOD V SPOTREBIČI TAK, ABY BOL POUŽÍVANÝ V PRIEBEHU CELEJ ŽIVOTNOSTI A SPRÁVNE INFORMOVAL O SPRÁVНОM POUŽÍVANÍ SPOTREBIČA A BEZPEČNOSTI. Z BEZPEČNOSTNÝCH DÔVODOV A PRE OCHRANU MAJETKU DODRŽIAVAJTE POKYNY V TOMTO NÁVODE, PRETOŽE VÝROBCA NENESIE ŽIADNU ZODPOVEDNOSŤ ZA POŠKODENIA SPÔSOBENÉ NEDODRŽANÍM TÝCHTO POKYNOV.

- TENTO SPOTREBIČ MÔŽU POUŽÍVAŤ DETI OD 8 ROKOV A OSOBY S OBMEDZENÝMI FYZICKÝMI, SENZORICKÝMI ALEBO MENTÁLNYMI SCHOPNOSŤAMI, ALEBO BEZ DOSTATOČNÝCH SKÚSENOSTÍ A ZNALOSTÍ, AK SÚ POD DOHĽADOM ALEBO BOLI POUČENÉ O SPRÁVНОM A BEZPEČНОM POUŽITÍ SPOTREBIČA A POROZUMELI MOŽNÝM RIZIKÁM.
- DETI VO VEKU 3 AŽ 8 ROKOV MÔŽU VKLADAŤ A VYBERAŤ POTRAVINY Z CHLADIACICH SPOTREBIČOV.
- DETI SA SO SPOTREBIČOM NESMÚ HRAŤ.
- ČISTENIE A ÚDRŽBU NESMÚ VYKONÁVAŤ DETI BEZ DOZORU.

- AK JE NAPÁJACÍ KÁBEL POŠKODENÝ, JEHO VÝMENU ZVERTE ODBORNÉMU SERVISNÉMU STREDISKU, ABY SA ZABRÁNILO VZNIKU NEBEZPEČENEJ SITUÁCIE. SPOTREBIČ S POŠKODENÝM NAPÁJACÍM KÁBLOM JE ZAKÁZANÉ POUŽÍVAŤ.
- **VAROVANIE:** VETRACIE OTVORY V KRYTE SPOTREBIČA ALEBO V JEHO KONŠTRUKCII JE POTREBNÉ UDRŽIAVAŤ VOĽNÉ.
- **VAROVANIE:** NA URÝCHLENIE PROCESU ODMRAZOVANIA NEPOUŽÍVAJTE MECHANICKÉ ZARIADENIA ANI INÉ PROSTRIEDKY AKO SÚ TIE, KTORÉ SÚ ODPORÚČANÉ VÝROBCOM.
- **VAROVANIE:** NEPOŠKODZUJTE CHLADIACI OBVOD.
- **VAROVANIE:** NEPOUŽÍVAJTE ELEKTRICKÉ SPOTREBIČE V PRIESTORE NA UCHOVÁVANIE POTRAVÍN SPOTREBIČA, AK SA NEJEDNÁ O TYPY ODPORÚČANÉ VÝROBCOM.
- **VAROVANIE:** VO VNÚTRI SKLADOVACIEHO PRIESTORU SPOTREBIČA NEPOUŽÍVAJTE ELEKTRICKÉ ZARIADENIA, POKIAĽ NEJDE O TYP, KTORÝ JE ODPORÚČANÝ VÝROBCOM.



ZNAČKA ISO 7000-1701 (2004-01)
OZNAČUJE MÉDIUM POD TLAKOM.

TENTO SPOTREBIČ JE URČENÝ NA POUŽITIE V DOMÁCNOSTI A NA PODOBNÉ ÚČELY, AKO SÚ NAPRÍKLAD:

- KUCHYNKY PRE ZAMESTNANCOV V PREDAJNIACH, KANCELÁRIÁCH A INÝCH PRACOVNÝCH PROSTREDIACH;
- NA FARMÁCH A KLIENTMI HOTELOV, MOTELOV A INÝCH PROSTREDÍ REZIDENČNÉHO TYPU;
- PROSTREDIE UBYTOVANIA S RAŇAJKAMI;
- STRAVOVANIE A PODOBNÉ MALOOBCHODNÉ VYUŽITIA.

● **UPOZORNENIE:** SPOTREBIČ MUSÍ BYŤ PRIPOJENÝ PODĽA NÁVODU, ABY SA ZABRÁNILO NEBEZPEČENSTVU SPÔSOBENÉMU JEHO NESTABILITOU.



VAROVANIE:

NEBEZPEČENSTVO POŽIARU/HORĽAVÉ MATERIÁLY!

OBSAHUJE CHLADIACI PLYN IZOBUTÁN


R600a

CHLADIVO

CHLADIACI IZOBUTÁN (R600a), KTORÝ JE OBSIAHNUTÝ V CHLADIACOM OKRUHU SPOTREBIČA, JE PRÍRODNÝ PLYN S VYSOKOU KOMPATIBILITOU SO ŽIVOTNÝM PROSTREDÍM, KTORÝ JE PREDSA LEN HORĽAVÝ. POČAS PREPRASY A INŠTALÁCIE SPOTREBIČA ZABRÁŇTE POŠKODENIU KOMPONENTOV CHLADIACEHO OKRUHU. CHLADIVO (R600a) JE HORĽAVÉ.

• **VAROVANIE** — CHLADNIČKY V IZOLÁCII OBSAHUJÚ CHLADIVO A CHLADIACE PLYNY. CHLADIVO A CHLADIACE PLYNY MUSIA BYŤ LIKVIDOVANÉ ODBORNE, PRETOŽE MÔŽU SPÔSOBIŤ PORANENIE OČÍ ALEBO VZNIETENIE. PRED VYKONANÍM SPRÁVNEJ LIKVIDÁCIE SA UISTITE, ČI NIE JE POTRUBIE CHLADIACEHO OKRUHU POŠKODENÉ.



SYMBOL  VAROVANIE A ZNAMENÁ TO, ŽE CHLADIVO A CHLADIACE PLYNY SÚ HORĽAVÉ.

VAROVANIE: RIZIKO POŽIARU HORĽAVÝCH MATERIÁLOV

AK BY DOŠLO K POŠKODENIU CHLADIACEHO OKRUHU:

- VYHNITE SA OTVORENÉMU OHŇU A ZDROJOM VZNIETENIA.
- DÔKLADNE VYVETRAJTE MIESTNOSŤ, V KTOREJ SA SPOTREBIČ NACHÁDZA.

JE NEBEZPEČNÉ MENIŤ ALEBO UPRAVOVAŤ SPOTREBIČ AKÝMKOL'VEK SPÔSOBOM.

AKÉKOL'VEK POŠKODENIE NAPÁJACIEHO KÁBLA MÔŽE VIESŤ K SKRATU, POŽIARU A/ALEBO ZASIAHNUTIU ELEKTRICKÝM PRÚDOM.

● **UPOZORNENIE:** PRI UMIESTNENÍ SPOTREBIČA SA UISTITE, ČI NIE JE NAPÁJACÍ KÁBEL ZACHYTENÝ ALEBO POŠKODENÝ.

● **UPOZORNENIE:** NEUMIESTŇUJTE MNOHOPOČETNÉ PRENOSNÉ ZÁSUVKY ALEBO PRENOSNÉ ZDROJE NAPÁJANIA NA ZADNÚ STRANU SPOTREBIČA.

OHĽADOM OPRAVY ALEBO VÝMENY OSVETLENIA, KONTAKTUJTE SERVISNÉ STREDISKO.

● OTVORENIE DVIEROK NA DLHŠÍ ČAS MÔŽE SPÔSOBIŤ VÝRAZNÉ ZVÝŠENIE TEPLoty V PRIESTOROCH SPOTREBIČA.

● JE POTREBNÉ PRAVIDELNE ČISTIŤ POVRCHY, KTORÉ MÔŽU PRÍŠŤ DO KONTAKTU S POTRAVINAMI A PRÍSTUPNÉ DRENÁŽNE SYSTÉMY

● SUROVÉ MÄSO A RYBY JE POTREBNÉ UKLADAŤ DO CHLADNIČKY VO VHODNÝCH OBALOCH, TAK ABY NEBOLI V KONTAKTE S INÝMI POTRAVINAMI ALEBO NA NE NEKVAPKALI.

● DVOJHVIEZDIČKOVÉ MRAZIACE PRIESTORY SÚ VHODNÉ NA UKLADANIE VOPRED ZMRAZENÝCH POTRAVÍN, ULOŽENIE ALEBO NA VÝROBU ZMRZLINY A VÝROBU KOCIEK ĽADU.

● JEDNO, DVOJ A TROJHVIEZDIČKOVÉ PRIESTORY NIE SÚ VHODNÉ NA MRAZENIE ČERSTVÝCH POTRAVÍN.

POKIAĽ SA CHLADIACI SPOTREBIČ ZANECHÁVA PRÁZDNY NA DLHŠÍ ČAS, JE POTREBNÉ HO VYPNÚŤ, ODMRAZIŤ, VYČISTIŤ, VYSUŠIŤ A NECHAŤ DVIERKA OTVORENÉ, ABY SA ZABRÁNILO TVORBE PLESNE VO VNÚTRI SPOTREBIČA.



ELEKTRICKÁ BEZPEČNOSŤ

1. NAPÁJACÍ KÁBEL NESMIE BYŤ PREDLŽOVANÝ.
2. UISTITE SA, ČI NIE JE ZÁSTRČKA NAPÁJACIEHO KÁBLA POŠKODENÁ.
ROZDRVENÁ ALEBO POŠKODENÁ ZÁSTRČKA SA MÔŽE PREHRIEVAŤ A SPÔSOBIŤ POŽIAR.
3. UISTITE SA, ČI MÁTE VOĽNÝ PRÍSTUP K ZÁSTRČKE SPOTREBIČA.
4. NEŤAHAJTE ZA NAPÁJACÍ KÁBEL.
5. AK JE ELEKTRICKÁ ZÁSUVKA UVOĽNENÁ, NEPRIPÁJAJTE K NEJ ZÁSTRČKU. HROZÍ RIZIKO ZASIAHNUTIA ELEKTRICKÝM PRÚDOM ALEBO VZNIKU POŽIARU.
6. NESMIETE POUŽÍVAŤ TENTO SPOTREBIČ BEZ KRYTU VNÚTORNÉHO OSVETLENIA.
7. CHLADNIČKA JE URČENÁ LEN NA NAPÁJANIE Z JEDNEJ FÁZY STRIEDAVÉHO PRÚDU S HODNOTAMI 220~240 V/50 HZ. AK JE KOLÍSANIE NAPÄTIA V MIESTE BYDLISKA POUŽÍVATEĽA TAK VEĽKÉ, ŽE PRESAHUJE VYŠŠIE UVEDENÉ LIMITY, Z BEZPEČNOSTNÝCH DÔVODOV POUŽITE PRE CHLADNIČKU AUTOMATICKÝ NAPÄŤOVÝ REGULÁTOR S VIAC AKO 350 W.

CHLADNIČKA MUSÍ BYŤ VYBAVENÁ ŠPECIÁLNOU NAPÁJACOU ZÁSTRČKOU NAMIESTO BEŽNEJ S INÝMI ELEKTRICKÝMI SPOTREBIČMI. ZÁSTRČKA MUSÍ ZODPOVEDAŤ ZÁSUVKE S UZEMŇOVACÍM KONTAKTOM.

BEŽNÉ POUŽITIE

- V SPOTREBIČI NESKLADUJTE HORĽAVÉ PLYNY ANI TEKUTINY. HROZÍ RIZIKO EXPLÓZIE.
- V SPOTREBIČI NEPOUŽÍVAJTE INÉ ELEKTRICKÉ SPOTREBIČE (NAPR. ELEKTRICKÝ VÝROBNÍK ZMRZLINY, MIXÉRY ATĎ.).
- PRI ODPÁJANÍ SPOTREBIČA Z ELEKTRICKEJ ZÁSUVKY, VŽDY ŤAHAJTE ZA ZÁSTRČKU. NEŤAHAJTE ZA KÁBEL.
- DO BLÍZKOSTI PLASTOVÝCH DIELOV TOHTO SPOTREBIČA NEDÁVAJTE HORÚCE PREDMETY.
- NEDÁVAJTE ŽIADNE PREDMETY DO BLÍZKOSTI VZDUCHOVÝCH OTVOROV V ZADNEJ STENE.
- BALENÉ MRAZENÉ POTRAVINY SKLADUJTE V SÚLADE S POKYNNI VÝROBCU MRAZENÝCH POTRAVIN.
- MALI BY STE STRIKTNE DODRŽIAVAŤ ODPORÚČANIA TÝKAJÚCE SA SKLADOVANIA V SPOTREBIČI OD VÝROBCU. POZRITE SI PRÍSLUŠNÉ POKYNY O SKLADOVANÍ.
- DO MRAZIACEHO PRIESTORU NEDÁVAJTE SÝTENÉ ALEBO ŠUMIVÉ NÁPOJE, PRETOŽE VYTVÁRAJÚ TLAK NA NÁDOBU, KTORÁ MÔŽE EXPLODOVAŤ, ČO MÔŽE VIESŤ K POŠKODENIU SPOTREBIČA.
- NEKONZUMUJTE MRAZENÉ POKRMY IHNEĎ PO VYBRATÍ Z MRAZNIČKY, MÔŽETE SA PORANIŤ.
- NEUMIESTŇUJTE SPOTREBIČ NA PRIAME SLNEČNÉ SVETLO.
- MAJTE HORIACE SVIEČKY, LAMPY A INÉ PREDMETY S OTVORENÝM OHŇOM V DOSTATOČNEJ VZDIALENOSTI OD SPOTREBIČA, ABY STE ZABRÁNILI RIZIKU POŽIARU.

- SPOTREBIČ JE URČENÝ NA USKLADNENIE POKRMOV A/ ALEBO NÁPOJOV V BEŽNEJ DOMÁCNOSTI PODĽA POPISU V NÁVODE. SPOTREBIČ JE ŤAŽKÝ. ZVÝŠTE POZORNOSŤ PRI JEHO PREMIESTŇOVANÍ.
- NEVYBERAJTE ANI SA NEDOTÝKAJTE POLOŽIEK V PRIESTORE MRAZENIA, AK MÁTE VLHKÉ/MOKRÉ RUKY, PRETOŽE TO MÔŽE VIESŤ K PORANENIAM POKOŽKY ALEBO POPÁLENINÁM Z MRAZU.
- NIKDY NEPOUŽÍVAJTE DNO, ZÁSUVKY, DVIERKA A POD. NA STÚPANIE ALEBO AKO PODPERU.
- MRAZENÉ POTRAVINY, NESMÚ BYŤ PO ROZMRAZENÍ OPĽTOVNE ZMRAZENÉ.
- NEKONZUMUJTE ĽADOVÉ NANUKY ALEBO KOCKY ĽADU HNEĎ PO VYBRATÍ Z MRAZNIČKY, PRETOŽE BY STE SI TAK MOHLI PORANIŤ ÚSTA A PERY.
- ABY STE ZABRÁNILI PÁDU PREDMETOV A ZRANENIU ALEBO POŠKODENIU SPOTREBIČA, NEPREŤAŽUJTE PRIEHRADKY DVIEROK ANI DO ZÁSUVIEK NEDÁVAJTE NADMERNÉ MNOŽSTVO POTRAVÍN.

INŠTALÁCIA

DÔLEŽITÉ!

- PRI PRIPOJENÍ K ELEKTRICKEJ SIETI BUĎTE OPATRNÍ, DODRŽIAVAJTE POKYNY V TOMTO NÁVODE. SPOTREBIČ VYBALTE A SKONTROLUJTE HO Z HĽADISKA VIDITEĽNÝCH POŠKODENÍ.
- AK JE SPOTREBIČ POŠKODENÝ, NEPRIPÁJAJTE HO. OZNÁMTE PRÍPADNÉ POŠKODENIE V MIESTE ZAKÚPENIA. V TOMTO PRÍPADE SI NECHAJTE OBALOVÝ MATERIÁL.
- ODPORÚČA SA POČKAŤ NIEKOĽKO HODÍN, PRED PRIPOJENÍM SPOTREBIČA, ABY SA OLEJ V KOMPRESORE USTÁLIL.
- OKOLO SPOTREBIČA ZAISTITE DOSTATOČNÉ VETRANIE, V OPAČNOM PRÍPADE MÔŽE DOCHÁDZAŤ K PREHRIEVANIU. NA DOSIAHNUTIE DOSTATOČNÉHO VETRANIA DODRŽIAVAJTE POKYNY NA INŠTALÁCIU.
- AK JE TO MOŽNÉ, ZADNÁ STENA SPOTREBIČA BY NEMALA BYŤ VEĽMI BLÍZKO STENY A NEMAL BY SA DOTÝKAŤ HORÚCICH ČASTÍ (KOMPRESOR, KONDENZÁTOR), ABY SA ZABRÁNILO RIZIKU POŽIARU, DODRŽIAVAJTE PRÍSLUŠNÉ POKYNY NA INŠTALÁCIU.
- SPOTREBIČ NESMIE BYŤ UMIESTNENÝ V BLÍZKOSTI RADIÁTOROV ALEBO SPORÁKOV.
- PO INŠTALÁCII SPOTREBIČA SA UISTITE, ČI JE SIEŤOVÁ ZÁSTRČKA ĽAHKO PRÍSTUPNÁ.
- ODLOŽTE VŠETKY OBALY MIMO DOSAHU DETÍ, PRETOŽE HROZÍ RIZIKO UDUSENIA.
- VNÚTORNÝ PRIESTOR VAŠEJ CHLADNIČKY / MRAZNIČKY MÔŽE PRED PRVÝM POUŽITÍM ZAPÁCHAŤ. JE TO NORMÁLNY JAV. ZÁPACH ZMIZNE, AKONÁHLE ZAČNE ZARIADENIE CHLADIŤ/ MRAZIŤ.

- PRED PRIPOJENÍM CHLADNIČKY / MRAZNIČKY SA UISTITE, ŽE NAPÄTIE V ELEKTRICKEJ SIETI ZODPOVEDÁ POŽIADAVKÁM NA PRIPOJENIE CHLADNIČKY / MRAZNIČKY. V PRÍPADE POCHYBNOSTÍ SA OBRÁŤTE NA KVALIFIKOVANÉHO ELEKTRIKÁRA.
- SPOTREBIČ MUSÍ BYŤ PRIPOJENÝ DO ZÁSUVKY S ODPOVEDAJÚCIM NAPÄTÍM A SPRÁVNE NAINŠTALOVANOU POISTKOVOU ZÁSUVKOU.
- CHLADNIČKA / MRAZNIČKA NESMIE BYŤ UMIESTNENÁ VONKU ALEBO VYSTAVENÁ DAŽĎU.
- CHLADNIČKA / MRAZNIČKA MUSÍ BYŤ UMIESTNENÁ NAJMENEJ 50 CM OD VYKUROVACÍCH TELIES, KÚRENIA RÚR, PLYNOVÝCH RÚR ATĎ.
- AK JE CHLADNIČKA S MRAZNIČKOU UMIESTNENÁ VEDĽA MRAZNIČKY, MUSÍ MEDZI NIMI BYŤ MIN. 2 CM ROZOSTÚP.
- NA CHLADNIČKU / MRAZNIČKU NEKLAĎTE ŤAŽKÉ VECI, NEZAKRÝVAJTE JU.
- NAD CHLADNIČKOU / MRAZNIČKOU MUSÍ BYŤ MIN. 100 - 150 MM VOĽNÝ PRIESTOR.
- TENTO SPOTREBIČ JE VYROBENÝ NA POUŽITIE V DOMÁCNOSTIACH A JE VHODNÝ IBA PRE CHLADENIE/ MRAZENIE POTRAVÍN. NIE JE VHODNÝ PRE KOMERČNÉ POUŽITIE ALEBO NA USKLADNENIE LÁTOK S VÝNIMKOU POTRAVÍN. VÝROBCA NENESIE ZODPOVEDNOSŤ ZA ŽIADNE STRATY, SPÔSOBENÉ NEVHODNÝM POUŽITÍM SPOTREBIČA.

Pre štandard EÚ


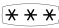


Tento spotrebič môžu používať deti vo veku od 8 rokov a staršie a osoby so zníženými fyzickými, zmyslovými alebo duševnými schopnosťami alebo nedostatkom skúseností a znalostí, ak sú pod dohľadom alebo sú poučené o používaní spotrebiča bezpečným spôsobom a rozumejú nebezpečenstvám s tým súvisiacimi. Deti sa so spotrebičom nesmú hrať. Čistenie a používateľskú údržbu nesmú vykonávať deti bez dozoru.

Aby ste predišli kontaminácii potravín, dodržiavajte nasledujúce pokyny:

- Otváranie dvierok na dlhší čas môže spôsobiť výrazné zvýšenie teploty vo vnútornom priestore spotrebiča.
- Pravidelne čistite povrchy, ktoré môžu prísť do kontaktu s potravinami a prístupné odtokové systémy.
- V prípade nádržiek na čistú vodu, ak sa nepoužívali 48 hodín; prepláchnite vodovodný systém pripojený na vodovod, ak sa voda nečerpala 5 dní. **(Poznámka 1)(*)**
- Surové mäso a ryby skladujte vo vhodných nádobách v chladiacom priestore, aby sa nedostali do kontaktu s inými potravinami a nekvapkali na ne.
- Dvojhviezdičkové priehradky na mrazené potraviny sú vhodné na skladovanie vopred mrazených potravín, skladovanie alebo výrobu zmrzliny a výrobu kociek ľadu. **(Poznámka 2)(*)**
- Priehradky s 1 hviezdličkou, 2 hviezdličkami a 3 hviezdličkami nie sú vhodné na zmrazovanie čerstvých potravín. **(Poznámka 3)(*)**
- Pre spotrebiče bez 4-hviezdičkového priestoru: Tento spotrebič nie je vhodný na zmrazovanie potravín. **(Poznámka 4)(*)**
- Ak necháte spotrebič dlhšie obdobie prázdny, vypnite ho, odmrazte, vyčistite, vysušte a nechajte dvierka otvorené, aby sa v spotrebiči netvorili plesne.

Poznámka 1,2,3,4: Uistite sa, či je použiteľný podľa typu priehradky pre váš produkt.

(*): Táto funkcia sa líši v závislosti od zakúpeného modelu.

	Symbol „4 hviezdíčok“: Mraziaci priestor pri teplote –18 °C alebo nižšej a má schopnosť rýchlo zmraziť určité množstvo potravín
	Symbol „3 hviezdíčok“: Mraziaci priestor pri teplote –18 °C alebo nižšej
	Symbol „2 hviezdíčok“: Mraziaci priestor pri teplote –12 °C alebo nižšej
	Symbol „1 hviezdíčka“: Mraziaci priestor s cieľovou teplotou a skladovacími podmienkami –6 °C

UPOZORNENIE

Tento produkt sa neodporúča používať so zásuvkami alebo hlavným vypínačom s funkciou A/GFCI, v opačnom prípade môže spôsobiť falošné vypnutie.

1. Pri spustení nepredstavuje bezpečnostné riziko.
2. Ak vypínanie pretrváva, odporúča sa vymeniť zásuvky alebo hlavný vypínač bez funkcie a/gfci.

VAROVANIE

Riziko uviaznutia dieťaťa. Pred vyhodením starého spotrebiča:

- > Zložte dvierka spotrebiča.
- > Poličky nechajte na svojom mieste, aby deti nemohli ľahko vliezť dovnútra.

ČASŤ 2: INŠTALAČNÉ POKYNY

Pred prvým použitím spotrebiča

Odstráňte vonkajší a vnútorný obal, dôkladne utrite vonkajšok mäkkou suchou handričkou a vnútro vlhkou, vyžmýkanou utierkou.

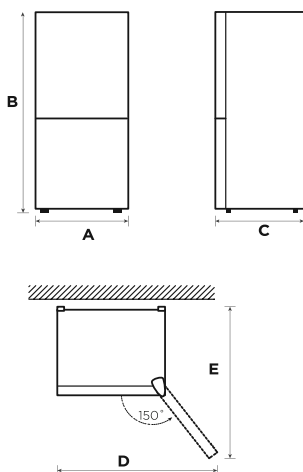
Neumiestňujte skrinku spotrebiča do úzkeho výklenku alebo do blízkosti akéhokoľvek zdroja tepla, priameho slnečného žiarenia alebo vlhkosti. Nechajte vzduch voľne cirkulovať okolo skrinky spotrebiča.

Pri inštalácii spotrebiča dbajte na to, aby na oboch stranách zostalo 10 cm voľného priestoru, 10 cm na zadnej strane spotrebiča a 10 cm v hornej časti spotrebiča.

Pred pripojením vášho spotrebiča k zdroju napájania skontrolujte, či napätie uvedené na typovom štítku vášho spotrebiča zodpovedá napätiu vo vašej domácnosti. Iné napätie môže spotrebič poškodiť.

Spotrebič musí byť uzemnený. Výrobca nezodpovedá za škody, ktoré môžu nastať v dôsledku používania bez uzemnenia.

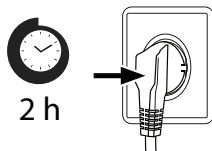
Zobrazenie požiadaviek na priestor



A	B	C	D	E
470	1500	566	965	1093

Pripojenie spotrebiča

Po nainštalovaní produktu ho pred zapnutím nechajte viac ako 2 hodiny stáť, inak to povedie k zníženiu chladiaceho výkonu alebo poškodeniu produktu.



Nečajte spotrebič v prevádzke naprázdno 24 hodín, aby sa vnútorný priestor mohol ochladiť na vhodnú teplotu.

UPOZORNENIE

Spotrebič by mal byť vždy pripojený do samostatnej elektrickej zásuvky, ktorej napätie zodpovedá typovému štítku.

Pri umiestňovaní spotrebiča sa uistite, či napájací kábel nie je zachytený alebo poškodený.

Teplota okolia

V závislosti od klimatickej triedy je tento spotrebič určený na používanie pri teplote okolia, ako je uvedené v nasledujúcej tabuľke.

Produkt nemusí správne fungovať pri teplotách mimo špecifického rozsahu.

Klimatickú triedu nájdete na štítku produktu.

Klimatická trieda	Teplota okolia
SN	+10 °C až +32 °C
N	+16 °C až +32 °C
ST	+16 °C až +38 °C
T	+16 °C až +43 °C

Ak máte akékoľvek pochybnosti o inštalácii, obráťte sa, prosím, na predajcu, na náš zákaznícky servis alebo na najbližšie autorizované servisné stredisko.

UPOZORNENIE

Chladiaci výkon a spotrebu energie spotrebiča môže ovplyvniť teplota okolia, početnosť otvárania dveriek spotrebiča a umiestnenie spotrebiča. Odporúčame podľa potreby upraviť nastavenia teploty.

Zmena smeru otvárania dvierok (voliteľné)

Časti zahrnuté v súbave závesov:



Ľavý doraz (2)



Podložka

Časti už namontované na dvierkach (ako sú dodané):



Pravý doraz



Skrutka pravého dorazu



Kryt otvoru (2)



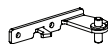
Kryt horného závesu



Skrutky horného závesu



Horný záves



Stredný záves



Skrutky stredného závesu



Spodný záves



Nastavitelná nožička

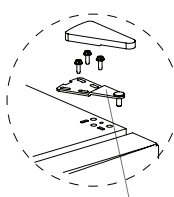
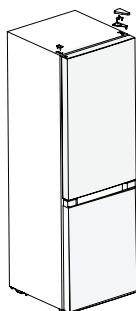
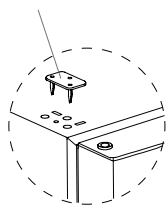


Kryt otvoru

Kroky:

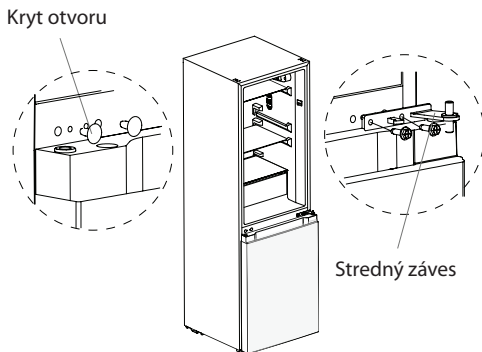
1. Vypnite spotrebič a vyberte všetky predmety z regálov v dvierkach.
2. Odstráňte kryt horného závesu, potom demontujte skrutky horného závesu, horný záves a uzáver otvoru, ktorý je pripravený na druhej strane.

Kryt otvoru



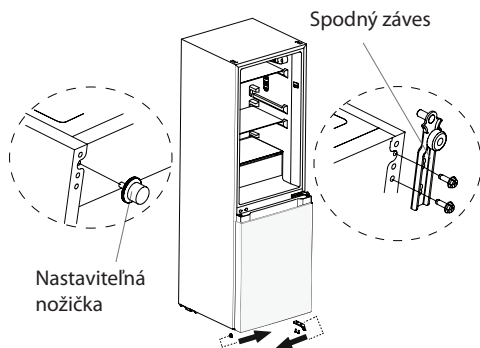
Horný záves

3. Demontujte dvierka chladiaceho priestoru, stredný záves a kryty otvorov.



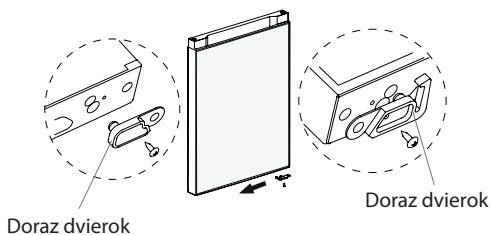
4. Demontujte dvierka mraziaceho priestoru, demontujte spodný záves a nastaviteľnú nožičku na druhej strane.

5. Vymeňte pevnú polohu nastaviteľnej nožičky a spodného závesu a potom ich znova zaistite.

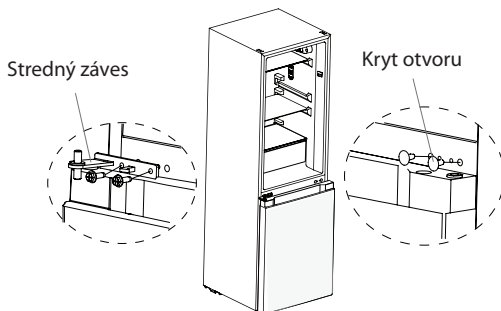


6. Demontujte skrutky a dorazy, ktoré sú upevnené na spodnom kryte dvierok chladiaceho priestoru a dvierok mraziaceho priestoru.

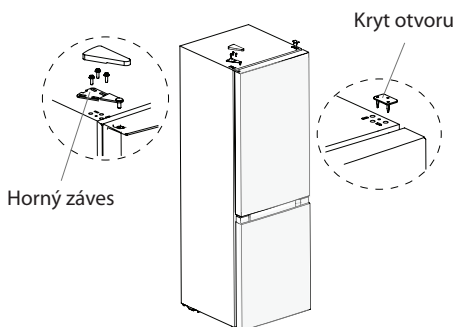
7. Vyberte doraz z priloženého plastového vrečka, upevnite doraz skrutkami na druhej strane spodného krytu dvierok chladiaceho priestoru a dvierok mraziaceho priestoru.



8. Umiestnite dvierka mraziaceho priestoru zhora nadol, vyberte podložku z priloženého plastového vrečka a nasadte ju na otvor osi na druhej strane dvierok mraziaceho priestoru.
9. Upevnite stredný záves pomocou skrutiek a nainštalujte 2 kryty otvorov.



10. Nasadte dvierka chladiaceho priestoru na stredný záves, namontujte horný záves na druhú stranu, pripievte kryt závesu na horný záves a pripievte kryt otvoru, ako je znázornené na obrázkoch nižšie.



UPOZORNENIE

Rozdiely: V dôsledku technických zmien a rôznych modelov sa niektoré obrázky v tomto návode môžu líšiť od vášho modelu.



Vyrovňavacie nožičky

Aby ste predišli vibráciám, musí byť spotrebič vyrovnaný.

V prípade potreby upravte vyrovňavacie nožičky, aby ste vyrovnali nerovnú podlahu.

Predná časť by mala byť o niečo vyššia ako zadná, aby sa uľahčilo zatváranie dveriek spotrebiča.

Vyrovňavacie nožičky možno ľahko otáčať miernym naklonením skrinky spotrebiča.

Otáčaním vyrovňovacích nožičiek proti smeru hodinových ručičiek  spotrebič zdvihnete, v smere hodinových ručičiek  ho znížite.

Výmena žiarovky osvetlenia

Akúkoľvek výmenu alebo údržbu LED žiaroviek má vykonať výrobca, jeho servisný zástupca alebo podobne kvalifikovaná osoba.

Tento výrobok obsahuje svetelný zdroj triedy energetickej účinnosti (G).

Po pripojení napájacieho kábla (alebo zástrčky) do elektrickej zásuvky počkajte 2 alebo 3 hodiny, kým do spotrebiča vložíte potraviny. Ak pridáte jedlo skôr, ako spotrebič úplne vychladne, jedlo sa môže pokaziť.

Premiestnenie spotrebiča

1. Vyberte všetky položky zo spotrebiča.
2. Vytiahnite sieťovú zástrčku, zasuňte a upevnite ju na háčik sieťovej zástrčky na zadnej alebo hornej strane spotrebiča.
3. Časti, ako sú police a dverka, prilepte páskou, aby pri premiestňovaní spotrebiča nespadli.
4. Premiestňujte spotrebič s viac ako dvoma osobami opatrne. Pri preprave spotrebiča na veľkú vzdialenosť udržiajte spotrebič vo zvislej polohe.

Tipy na úsporu energie

Spotrebič neumiestňujte do blízkosti sporákov, radiátorov alebo iných zdrojov tepla. Ak je okolitá teplota vysoká, kompresor bude v prevádzke častejšie a dlhšie, čo má za následok zvýšenú spotrebu energie. Zaisťte dostatočné vetranie v spodnej časti spotrebiča, po stranách spotrebiča a na zadnej strane spotrebiča. Dodržujte prosím aj rozstupové rozmery uvedené v kapitole „Inštalácia“.

Usporiadanie zásuviek, políc a regálov, ako je uvedené v prehľade produktu, ponúka najefektívnejšie využitie energie a malo by byť čo najviac zachované.

Pre získanie väčšieho úložného priestoru (napr. pre veľké chladené/mrazené tovary) je možné vybrať stredné zásuvky a police. Horné a spodné zásuvky a police by mali byť v prípade potreby vybraté ako posledné.

K optimálnemu využitiu energie prispieva rovnomerne naplnený chladiaci/mraziaci priestor.

Teplé potraviny nechajte pred vložením do chladiaceho/mraziaceho priestoru vychladnúť. Potraviny, ktoré už vychladli, zvyšujú energetickú účinnosť.

Nechajte zmrazené potraviny rozmraziť v chladiacom priestore. Chlad mrazených potravín znižuje spotrebu energie v chladiacom priestore a tým zvyšuje energetickú účinnosť.

Dverka otvárajte len tak krátko, ako je potrebné, aby ste minimalizovali straty chladu. Krátke otvorenie dveriek a ich správne zatvorenie znižuje spotrebu energie.

Nastavenie teploty nie nižšej, ako je potrebné, prispieva k optimálnemu využitiu energie. Tesnenie dvierok vášho spotrebiča musí byť dokonale neporušené, aby sa dvierka správne zatvárali a zbytočne sa nezvyšovala spotreba energie.

Spotrebič mimo prevádzky

Výpadok dodávky elektrickej energie:

V prípade výpadku dodávky elektrickej energie, aj keď je to v lete, môžu potraviny v spotrebiči zostať niekoľko hodín; počas výpadku dodávky elektrickej energie je potrebné skrátiť časy otvárania dvierok a do spotrebiča sa už nesmú vkladať žiadne čerstvé potraviny.

Dlhodobé nepoužívanie:

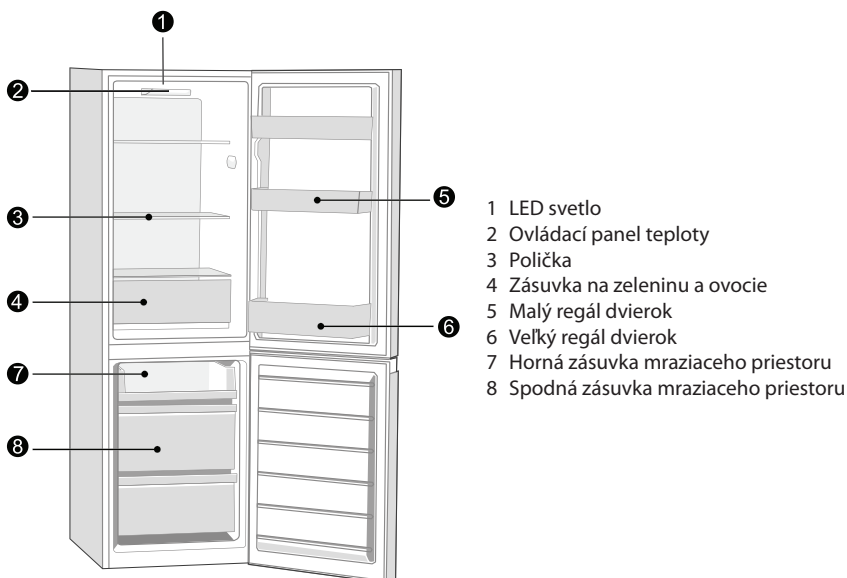
Spotrebič sa musí odpojiť a potom vyčistiť; potom sa dvierka nechajú otvorené, aby sa zabránilo zápachu.

Premiestnenie:

Pred premiestnením spotrebiča vyberte všetky predmety z vnútorného priestoru, pripevnite sklenné priečky, zásuvku na zeleninu, zásuvky mraziaceho priestoru atď. páskou a utiahnite vyrovnávacie nožičky; zatvorte dvierka a pripevnite ich páskou. Počas premiestňovania nesmie byť spotrebič položený hore nohami alebo vodorovne a nesmie byť vystavený vibráciám; sklon počas pohybu nesmie byť väčší ako 45°

ČASŤ 3: PREHĽAD JEDNOTLIVÝCH ČASŤÍ SPOTREBIČA

Normálny typ



- > Pre čo najefektívnejšie využitie energie uchovávajte všetky vnútorné položky, ako sú regály, zásuvky, police a boxy na kocky ľadu, v polohe dodanej výrobcom.
- > Tento chladiaci spotrebič je potrebné inštalovať samostatne a nemožno ho použiť ako vstavaný. V opačnom prípade to spôsobí problémy, ako je zníženie výkonu a životnosti spotrebiča. A výrobca neposkytuje základnú záruku na spotrebič.

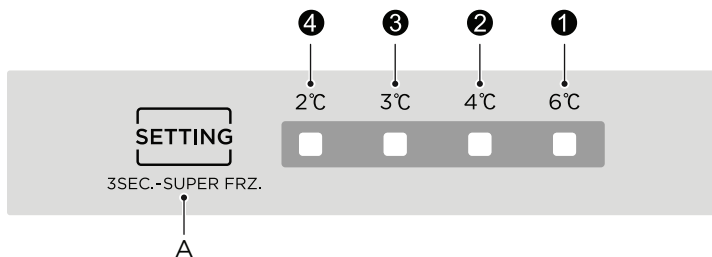
UPOZORNENIE

Rozdiely: V dôsledku technických zmien a rôznych modelov sa niektoré obrázky v tomto návode môžu líšiť od vášho modelu.

ČASŤ 4: PREVÁDZKOVÉ POKYNY

Použitie a funkcie spotrebiča

Funkcie



Displej

1. LED indikátor 1 : 6 °C
2. LED indikátor 2 : 4 °C
3. LED indikátor 3 : 3 °C
4. LED indikátor 4 : 2 °C

Tlačidlo

A Tlačidlo nastavenia (Tlačidlo nastavenia teploty chladiaceho priestoru)

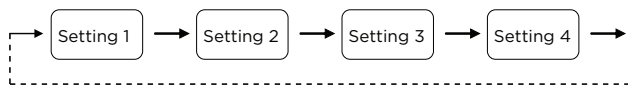
Zobrazenie

- > Po prvom zapnutí sa obrazovka displeja zobrazí na 3 sekundy a potom je spotrebič v prevádzke podľa nastavenia 2 (4 °C).
- > V prípade poruchy, začne blikať príslušný LED indikátor.
- > V prípade bežnej prevádzky, zobrazuje aktuálne nastavenie teploty v chladiacom priestore.

Chybový kód	Popis chyby
LED indikátor 1	Snímač okolitej teploty
LED indikátor 2	Snímač odmrazovania mraziaceho priestoru
LED indikátor 3	Snímač odmrazovania chladiaceho priestoru
LED indikátor 4	Obvod snímača teploty chladiaceho priestoru

Nastavenie teploty

Po každom stlačení tlačidla nastavenia teploty A sa nastavenie teploty jedenkrát zmení. Po dokončení nastavenia teploty bude spotrebič po 30 sekundách fungovať podľa nastavenej hodnoty. Postup nastavenia je:



Režim rýchleho mrazenia

Podržte stlačené tlačidlo nastavenia teploty v trvaní 3 sekúnd, po rozsvietení LED indikátora ② a LED indikátora ③ na 30 sekúnd prejde spotrebič do režimu rýchleho zmrazenia.

Dlhým stlačením tlačidla nastavenia teploty na 3 sekundy môžete zrušiť režim rýchleho mrazenia.

Odporúčané nastavenie:

Chladiaci priestor 4 °C.

UPOZORNENIE

Funkcia rýchleho mrazenia je navrhnutá tak, aby zachovala nutričnú hodnotu potravín v mraziacom priestore. Dokáže zmraziť potraviny v čo najkratšom čase. Ak je naraz zmrazené veľké množstvo potravín, odporúča sa, aby používateľ zapol funkciu rýchleho mrazenia a vložil potraviny. V tomto okamihu sa rýchlosť mrazenia v mraziacom priestore zvýši, čo môže potraviny rýchlo zmraziť a efektívne tak zaistiť nutričné hodnoty potravín a uľahčiť ich skladovanie.

Skladovanie potravín

Mraziaci priestor

Mraziaci priestor je určený na nízokoteplotné zmrazovanie potravín, dlhodobé skladovanie mrazených potravín a na výrobu kociek ľadu.

Venujte pozornosť klasifikácii hviezdikami (4 hviezdiky, 2 hviezdiky a 1 hviezdika) v mraziacom priestore a z toho vyplývajúce doby skladovania mrazených potravín.

Nekladte čerstvé a mrazené potraviny vedľa seba. Mrazené potraviny sa môžu rozmraziť.

Pri zmrazovaní veľkého množstva čerstvých potravín (ako je mäso, ryby alebo sekané mäso) ich pred vložením rozdeľte na niekoľko malých kúskov, aby sa dali rýchlo zmraziť a ľahko vybrať.

Dodržiavajte doby skladovania odporúčané výrobcami potravín na obaloch a ak na obale nie sú žiadne informácie, potraviny by sa nemali skladovať zmrazené dlhšie ako tri mesiace od dátumu ich zakúpenia.

Pri nákupe mrazených potravín sa uistite, či boli zmrazené na vhodnú teplotu a či ich obal nie je poškodený.

Zmrazené potraviny by sa mali uchovávať vo vhodných individuálnych obaloch, aby sa zabezpečilo, že príslušné potraviny nebudú kontaminované. Rozmrazené potraviny ihneď skonzumujte, znovu ich nezmrazujte.

V prípade dlhšieho výpadku dodávky elektrickej energie alebo poruchy spotrebiča vyberte uložené mrazené potraviny a skontrolujte, či sú ešte jedlé, potom ich uložte na dostatočne chladnom mieste alebo v inom spotrebiči.

Ak chcete potraviny rozmraziť, vyberte ich z mraziaceho priestoru a nechajte rozmraziť pri izbovej teplote alebo v chladiacom priestore. Na rýchle rozmrazovanie potravín môžete použiť napríklad funkciu rozmrazovania na vašej mikrovlnnej rúre.

Ak chcete rozmraziť iba časť balenia, vyberte časť, ktorú potrebujete, a zvyšok balenia ihneď zatvorte. Týmto spôsobom sa vyhnete „popáleniu mrazom“ a znížite tvorbu námrazy na zvyšných potravinách.

Chladiaci priestor

Aby ste znížili vlhkosť a následnú tvorbu námrazy, nikdy nevkładajte do chladiaceho priestoru tekutiny v neutesnených nádobách.

Námraza má tendenciu koncentrovať sa v najchladnejších častiach výparníka. Skladovanie nezakrytých tekutín má za následok častejšiu potrebu rozmrazovania.

Do chladiaceho priestoru nikdy nevkładajte teplé potraviny. Tie by mali najskôr vychladnúť pri izbovej teplote a potom ich umiestniť tak, aby bola zabezpečená dostatočná cirkulácia vzduchu v chladiacom priestore.

Potraviny alebo nádoby na potraviny by sa nemali dotýkať zadnej steny chladiaceho priestoru, pretože by mohli prmrznúť k stene. Neotvárajte pravidelne dvierka chladiaceho priestoru.

Mäso a vyčistené ryby (zabalené v obale alebo plastovej fólii) môžete vložiť do chladiaceho priestoru a môžete ich použiť do 1–2 dní.

Ovocie a zeleninu bez obalu je možné umiestniť do časti určenej pre čerstvé ovocie a zeleninu.

UPOZORNENIE

Składovanie veľmi veľkého množstva potravín v priebehu prevádzky po prvom pripojení k napájaniu môže nepriaznivo ovplyvniť mraziaci účinok spotrebiča.

Obdobia a teploty skladovania

Poznámky: Dlhodobé skladovanie alebo skladovanie pri nevhodnej teplote mrazenia môže spôsobiť stratu kvality alebo pokazenie potravín, čo spôsobuje plytvanie potravinami, ktoré sú nepoživatelné a môžu spôsobiť otravu jedlom. Minimálna teplota by vo väčšine prípadov mala byť -18 °C alebo nižšia.

Dodržujte maximálne odporúčané doby skladovania uvedené nižšie:

- > Dusené mäso, zmrzlina, párky, chlieb: 2-6 mesiacov.
- > Ryby, krevety, jahňacie, mäso: 4-8 mesiacov.
- > Zelenina, ovocie, hydina, hovädzie mäso: 6-12 mesiacov.

ČASŤ 5: ÚDRŽBA A ČISTENIE

UPOZORNENIE

Pred vykonaním akejkoľvek bežnej údržby odpojte spotrebič od elektrickej siete. Pred opätovným spustením spotrebiča počkajte aspoň 5 minút, pretože časté spúšťanie môže poškodiť kompresor.

Na urýchlenie procesu odmrazovania nepoužívajte mechanické zariadenia ani iné prostriedky, ako sú tie, ktoré odporúča výrobca.

Nepokúšajte sa spotrebič sami opravovať, rozoberať alebo upravovať. V prípade opravy kontaktujte naše servisné stredisko.

Aspoň raz za rok odstráňte prach na zadnej strane spotrebiča, aby ste predišli nebezpečenstvu požiaru, ako aj zvýšenej spotrebe energie.

Pravidelne kontrolujte tesnenie dvierok, aby ste sa uistili, či na ňom nie sú žiadne nečistoty. Očistite tesnenie dvierok mäkkou handričkou navlhčenou v mydlovej vode alebo zriedenom saponáte.

Vnútrotný priestor spotrebiča by sa mal pravidelne čistiť, aby nevznikal zápach.

Na čistenie vnútorného priestoru výrobku použite mäkkú handričku alebo špongiu s dvoma polievkovými lyžicami jedlej sódy a litrom teplej vody.

Potom ho opláchnite vodou a utrite dočista.

Po vyčistení otvorte dvierka a pred zapnutím spotrebiča nechajte prirodzene vyschnúť.

Miesta, ktoré sa v spotrebiči ťažko čistia (ako sú úzke škáry, medzery alebo rohy), sa odporúča pravidelne utierať mäkkou utierkou, mäkkou kefou atď. a v prípade potreby kombinovať s niektorými pomocnými nástrojmi (ako napr. tenké vatové tyčinky), aby sa v týchto oblastiach nehromadili žiadne nečistoty alebo baktérie.

Vonkajší povrch spotrebiča utrite mäkkou handričkou navlhčenou v mydlovej vode, saponáte atď. a potom utrite dosucha.

Nepoužívajte tvrdé kefy, čistiace ocelové guľôčky, drôtené kefy, abrazívne prostriedky (ako sú zubné pasty), organické rozpúšťadlá (ako je alkohol, acetón, banánový olej atď.), vriacu vodu, kyslé alebo alkalické látky, ktoré môžu poškodiť povrch a vnútorný priestor spotrebiča.

Vriaca voda a organické rozpúšťadlá ako benzén môžu deformovať alebo poškodiť plastové časti.



Počas čistenia neoplachujte časti spotrebiča priamo vodou ani inými tekutinami, aby ste predišli skratom alebo neovplyvnili elektrickú izoláciu po ponorení do tekutiny.

Odmrazovanie

Na vnútorných stenách mraziaceho priestoru sa môže objaviť vrstva námrazy, ak sa dvierka mraziaceho priestoru často otvárajú alebo sú veľmi dlho otvorené. Ak je námraza veľmi hrubá, vyberte si čas, keď sú zásoby potravín nízke a postupujte nasledujúcim spôsobom:

1. Vyberte existujúce koše na potraviny a príslušenstvo, odpojte spotrebič od elektrickej siete a nechajte dvierka otvorené. Dôkladne vetrajte miestnosť, aby ste urýchlili proces odmravovania.
2. Po dokončení odmravovania vyčistite mraziaci priestor podľa vyššie uvedeného popisu.

UPOZORNENIE!

Na odstránenie námrazy z mraziaceho priestoru nepoužívajte ostré predmety. Až po úplnom vyschnutí vnútorného priestoru by mal byť spotrebič opäť zapnutý a pripojený do elektrickej zásuvky.

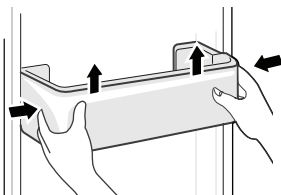
POZOR

Po spustení musí byť spotrebič v nepretržitej prevádzke. Vo všeobecnosti sa prevádzka spotrebiča nesmie prerušiť, inak môže dôjsť k zníženiu životnosti.

Čistenie regálu na dvierkach

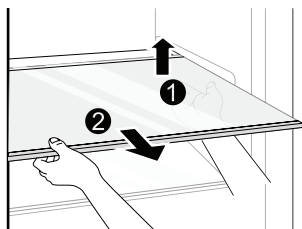
Podľa smerovej šípky na obrázku nižšie stlačte regál oboma rukami a zatlačte ho nahor, potom ho môžete vybrať.

Po vybratí regálu môžete nastaviť jeho výšku inštalácie podľa vašich požiadaviek.



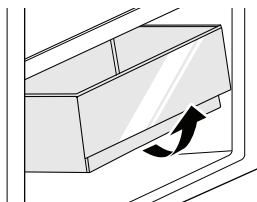
Čistenie sklenenej poličky

Keďže najvnútornejšia časť vložky chladiaceho priestoru, kde sa dotýka poličiek, má spätnú zárážku, zdvihnite poličky smerom nahor, potom ich budete môcť vybrať. Upravte alebo vyčistite poličky podľa vašich požiadaviek.



Čistenie zásuvky na zeleninu a ovocie

Vyberte obsah zásuvky. Uchopte rukoväť zásuvky na zeleninu a ovocie a úplne ju vytiahnite, kým sa nezastaví. Zdvihnite zásuvku na zeleninu a ovocie a vyberte ju vytiahnutím.



UPOZORNENIE

Rozdiely: V dôsledku technických zmien a rôznych modelov sa niektoré obrázky v tomto návode môžu líšiť od vášho modelu.

ČASŤ 6: RIEŠENIE PROBLÉMOV

Nasledujúce jednoduché problémy môže vyriešiť používateľ. Ak sa problémy nevyriešia, zavolajte na oddelenie servisného strediska.

Problém	Možné príčiny	Riešenie
Spotrebič nefunguje.	<ul style="list-style-type: none">Napájací zdroj nie je zapnutý a zástrčka nie je pevne zasunutá.Nízke napätie, výpadok prúdu alebo vypnutá časť obvodu.	<ul style="list-style-type: none">Pevne zasunite zástrčku napájacieho kábla.Skontrolujte napájanie domácnosti.
Svetlo nesvieti.	<ul style="list-style-type: none">Spotrebič nie je zapnutý.Svetlo je poškodené.	<ul style="list-style-type: none">Odpojte a znova pripojte napájací kábel.Vymeňte žiarovku za novú.
Ovocie alebo zelenina sú zmrazené.	<ul style="list-style-type: none">Sú potraviny umiestnené v zadnej časti spotrebiča? V oblasti pri zadnej stene sú najchladnejšie teploty.Ovocie alebo zelenina sa skladujú v zóne Fresh/Chill.	<ul style="list-style-type: none">Neumiestňujte potraviny, ktoré môžu ľahko zamrznúť, do zadnej časti chladiaceho priestoru.Zóna Fresh/Chill je určená len pre mäso/ryby.
Spotrebič sa prechladzuje.	<ul style="list-style-type: none">Regulácia teploty nie je nastavená správne.	<ul style="list-style-type: none">Nastavte vyššiu teplotu.
Kompresor je v prevádzke dlhý čas.	<ul style="list-style-type: none">Vysoká okolitá teplota spôsobujúca dlhý prevádzkový čas.Bolo vložené veľmi veľké množstvo potravín súčasne.Pokrm bol vložený skôr, ako vychladol.Veľmi časté otváranie dvierok.Vrstva námrazy vo vnútri je veľmi hrubá.	<ul style="list-style-type: none">Toto je normálne.Nedávajte veľmi veľa potravín súčasne.Pred vložením pokrmu počkajte, kým nevychladne.Neotvárajte dvierka veľmi často.Je potrebné vykonať odmrázanie.
Dvierka sa nezatvárajú správne.	<ul style="list-style-type: none">Na dvierkach sú prilepené predmety.V spotrebiči je veľmi veľa potravín.Deformované tesnenie dvierok.	<ul style="list-style-type: none">Nedávajte veľmi veľa potravín.Spotrebič umiestnite stabilne.Zahrejte tesnenie dvierok a potom ho ochladte na obnovenie tvaru (pomocou elektrického sušiča alebo teplej vody).
Vonkajší povrch spotrebiča je horúci.	<ul style="list-style-type: none">Keď je spotrebič v prevádzke, teplo sa odvádza von cez kovové rúrky vo vnútri skrinky spotrebiča.Vyššie teploty okolia v lete spôsobujú zvýšenie teploty vonkajšieho povrchu.	<ul style="list-style-type: none">Vyššia teplota na vonkajšom povrchu je normálna.Zväčšte priestor pre odvod tepla alebo umiestnite spotrebič na vetrané a chladné miesto.
Križové alebo zvislé nosníky sú horúce.	<ul style="list-style-type: none">Vo vnútri nosníkov sú kovové rúrky a teplo uvoľnené z rúrok zabraňuje kondenzácii.	<ul style="list-style-type: none">Toto je normálne.

Problém	Možné príčiny	Riešenie
Zápach.	<ul style="list-style-type: none"> • Pokazené jedlo. • Potraviny so silným zápachom. • Vnútrotný priestor je znečistený. 	<ul style="list-style-type: none"> • Vyčistíte a odstránite všetky pokazené potraviny. • Uistite sa, či sú potraviny so silným zápachom vzduchotesne zabalené. • Vyčistíte vnútrotný priestor.
Skutočná teplota sa líši od nastavenej teploty.	<ul style="list-style-type: none"> • Po vložení teplého pokrmu sa teplota dočasne zvýši. • Po nastavení novej teploty bude chvíľu trvať, kým teplota v vo vnútrotnom priestore dosiahne nastavenú teplotu, keď sa dvierka neotvoria. • Po teplotnej stabilite sú skutočné teploty na rôznych miestach vo vnútrotnom priestore rozdielne, s odchýlkou asi ± 3 °C. 	<ul style="list-style-type: none"> • Toto je normálne. • Pred testovaním skutočnej teploty nejaký čas počkajte.
Na vonkajšej strane sa tvorí kondenzát.	<ul style="list-style-type: none"> • Pri vysokej vlhkosti v miestnosti sa môže tvoriť kondenzácia vlhkosti. 	<ul style="list-style-type: none"> • Toto je normálne. Kondenzáciu utrite suchou handričkou.
Vo vnútri chladiaceho priestoru a zásuviek sa tvorí kondenzát.	<ul style="list-style-type: none"> • Chladiaci priestor udržiava vysokú vlhkosť, aby zelenina a iné potraviny zostali čerstvé. • V miestnosti je veľmi vysoká vlhkosť a dvierka sa často otvárajú. • Tesnenie dvierok netesní. 	<ul style="list-style-type: none"> • Kondenzáciu utrite suchou utierkou. • Neotvárajte dvierka tak často alebo ich nenechávajte otvorené veľmi dlho. • Skontrolujte tesnenie dvierok, vyčistite alebo správne umiestnite.
Námraza okolo prieduchov.	<ul style="list-style-type: none"> • Dvierka nie sú správne zatvorené. • Tesnenie dvierok netesní. 	<ul style="list-style-type: none"> • Uistite sa, či potraviny neblokujú dvierka. • Skontrolujte tesnenie dvierok, vyčistite alebo správne umiestnite.
Dvierka sa otvárajú ťažko.	<ul style="list-style-type: none"> • Rozdiel v tlaku vzduchu medzi vnútrotnou a vonkajšou časťou spotrebiča môže niekedy sťažiť otvorenie dvierok mraziaceho priestoru. 	<ul style="list-style-type: none"> • Počkajte chvíľu a potom sa pokúste pomaly otvoriť dvierka.

Pri bežnom používaní spotrebiča je počuť určité zvuky, ktoré nemajú vplyv na jeho správnu činnosť.

Zvuky, ktorým sa dá ľahko zabrániť:

- > Hluk spôsobený nerovnomerne umiestneným spotrebičom - nastavte polohu pomocou nastaviteľných otočných predných nožičiek. Prípadne umiestnite pod zadné valčeky podložky z mäkkého materiálu, najmä ak je spotrebič umiestnený na dlaždiciach.
- > Spotrebič sa dotýka susedného kusu nábytku - presuňte spotrebič ďalej.
- > Výzkanie zásuviek alebo poličiek - zásuvku alebo poličku vyberte a vráťte späť na svoje miesto.
- > Zvuky cinkania fliaš - rozdeľte fľaše od seba.

Zvuky počuteľné pri bežnom používaní sú spôsobené hlavne prevádzkou kompresora (zapnutie) a chladenia, systému (tepelná expanzia a kontrakcia chladiča spôsobená prúdením chladiaceho média).

ČASŤ 7: INFORMAČNÝ LIST

Informačný list

PHILCO 

DELEGOVANÉ NARIADENIE KOMISIE (EÚ) 2019/2016, pokiaľ ide o energetické označovanie chladiacich spotrebičov

Názov alebo ochranná známka výrobcu: PHILCO

Adresa výrobcu: PHILCO, U Sanitasu 1621, 25101 Říčany, CZ

Identifikačná značka modelu: PT 173 ENW, PT 173 ENX

Typ chladiaceho zariadenia:

Spotrebič s nízkym hlukom:	Nie	Typ spotrebiča:	voľne stojaci
Zariadenie na skladovanie vína:	Nie	Ostatné chladiace spotrebiče	Áno

Základné špecifikácie:

Parameter	Hodnota	Parameter	Hodnota
Rozmery v mm	Výška	Celkový objem (dm ³ alebo l)	173
	Šírka		
	Hĺbka		
Index energetickej účinnosti (EEL)	99	Trieda energetickej účinnosti*	E
Akustický zvuk emisie hluku (dB(A) re 1 pW)	41	Trieda akustických emisií hluku	C
Ročná spotreba energie (kWh/rok)	203	Klimatická trieda:	rozšírená mierna, mierna, subtropická
Minimálna okolitá teplota (° C), pre ktorú je chladiace zariadenie vhodné	10	Maximálna okolitá teplota (° C), pre ktorú je chladiace zariadenie je vhodné	38
Nastavenie spotrebiča na zimu	Áno		

Špecifikácia priestoru

Typ priestoru	Parametre a hodnoty chladiaceho priestoru			
	Objem spotrebiča (dm ³ alebo l)	Odporúčené nastavenie teploty pre optimalizované skladovanie potravín (° C)	Mraziaca kapacita (kg/24h)	Typ odmrazovania: (auto-odmrazovanie = A manuálne odmrazovanie = M)
Komora/špajza	Nie	-	-	-
Skladovanie vína	Nie	-	-	-
Pivničný priestor	Nie	-	-	-

Čerstvé potraviny	Áno	120,0	4	-	A
Mraziaci priestor	Nie	-	-	-	-
0-hviezdičiek alebo výrobnik ľadu	Nie	-	-	-	-
1-hviezdička	Nie	-	-	-	-
2-hviezdičky	Nie	-	-	-	-
3-hviezdičky	Nie	-	-	-	-
4-hviezdičky	Áno	53,0	-18	3,0	A
2-hviezdičkový priestor	Nie	-	-	-	-
Zásuvka s meniacou sa teplotou	Nie	-	-	-	-
4-hviezdičkový priestor					
Funkcia rýchleho zmrazenia			Áno		
Parametre svetelného zdroja:					
Typ svetelného zdroja			LED		
Trieda energetickej účinnosti			G		
Minimálna doba trvania záruky ponúkanej výrobcom: 24 mesiacov					
Dodatočné informácie:					
Webový odkaz na web výrobcu, kde sú informácie uvedené v bode 4 (a) prílohy nariadenia Komisie (EÚ) 2019/2022 nájdené: www.philco.cz					

TECHNICKÉ INFORMÁCIE

Technické informácie sa nachádzajú na typovom štítku na vnútornej strane spotrebiča a na energetickom štítku. QR kód, na dodanom energetickom štítku, obsahuje odkaz na registráciu spotrebiča v databáze EÚ Eprel.

INFORMÁCIE O TESTOVANÍ

Dodané zariadenie je v súlade s Ecodesignem a EN 62552-1:2020, EN 62552-2:2020, EN 62552-3:2020 EN IEC 60704-1:2021 EN 60704-2-14:2013+A11:2015+A1:2019. Požiadavky na prístup vzduchu pre správnu prevádzku prístroja, minimálna vzdialenosť od steny a rozmery prístroja, sú súčasťou tohto návodu. V prípade ďalších otázok sa obráťte na výrobcu.

STAROSTLIVOSŤ O ZÁKAZNÍKA A SERVIS

Vždy používajte iba originálne náhradné diely.

Označenie modelu a sériové číslo nájdete na typovom štítku. Polohu typového štítku je možné zmeniť bez predchádzajúceho upozornenia.

Originálne náhradné diely pre niektoré konkrétne komponenty sú k dispozícii minimálne 7 alebo 10 rokov. Závisí to od typu komponentu a od uvedenia posledného spotrebiča daného modelu na trh.

Pri kontaktovaní nášho autorizovaného servisu majte k dispozícii modelové označenie, sériové číslo a popis chyby.

Pre stiahnutie dokumentov navštívte www.philco.sk.

Pre nahlásenie závady a získanie ďalších servisných informácií navštívte www.philco.sk/servisne-miesta.

Zmeny vyhradené bez predchádzajúceho upozornenia.

POKYNY A INFORMÁCIE TÝKAJÚCE SA LIKVIDÁCIE POUŽITÝCH OBALOVÝCH MATERIÁLOV

Obalové materiály zlikvidujte na verejnom mieste pre likvidáciu odpadu.

LIKVIDÁCIA POUŽITÝCH ELEKTRICKÝCH A ELEKTRONICKÝCH SPOTREBIČOV



Význam symbolu na výrobku, jeho príslušenstve alebo obale znamená, že s týmto výrobkom nesmie byť zaobchádzané ako s komunálnym odpadom. Tento výrobok zlikviduje na príslušnom zbernom mieste pre recykláciu odpadu z elektrických a elektronických zariadení. Poprípade je možné v niektorých štátoch Európskej únie alebo iných európskych štátoch vrátiť svoje výrobky miestnemu predajcovi, v prípade kúpy podobného nového výrobku. Správna likvidácia tohto výrobku pomôže ušetriť cenné prírodné zdroje a pomôcť pri prevencii prípadného negatívneho vplyvu na životné prostredie a ľudské zdravie, ku ktorému by mohlo dôjsť v dôsledku nesprávnej likvidácie odpadu. Podrobnejšie informácie získate od miestneho úradu alebo v najbližšom stredisku pre zber odpadu. Nesprávna likvidácia tohto typu odpadu môže podliehať vnútroštátnym predpisom o pokutách.

Pre podnikateľské subjekty v Európskej únii

Ak chcete zlikvidovať elektrické alebo elektronické zariadenie, vyžiadajte si potrebné informácie od svojho predajcu alebo dodávateľa.

Likvidácia v iných štátoch mimo Európskej únie

Ak chcete zlikvidovať tento výrobok, vyžiadajte si nevyhnutné informácie o správnom spôsobe likvidácie od miestnych úradov alebo svojho predajcu.



Tento výrobok spĺňa všetky základné požiadavky nariadenia EÚ, ktoré sa naň vzťahujú.

Zmeny v texte, dizajne a technických údajoch sa môžu vyskytnúť bez predchádzajúceho upozornenia a vyhradujeme si právo vykonať tieto zmeny.

Slovenská verzia návodu je prekladom z originálneho návodu na obsluhu, ktorý je v českom jazyku.

CHŁODZIARKO- ZAMRAŻARKA

INSTRUKCJA OBSŁUGI

PHILCO



Famous for Quality the World Over

PC 173 ENW

PC 173 ENX

Szanowny kliencie,
Dziękujemy za dokonanie zakupu produktu marki PHILCO. Aby urządzenie to służyło Ci jak najlepiej,
prosimy o przeczytanie wszystkich zaleceń zawartych w niniejszej instrukcji obsługi.

SPIS TREŚCI

CZĘŚĆ 1: INSTRUKCJE BEZPIECZEŃSTWA.....	2
CZĘŚĆ 2: INSTRUKCJE W ZAKRESIE INSTALACJI URZĄDZENIA	12
CZĘŚĆ 3: PRZEGLĄD CZĘŚCI FUNKCJONALNYCH URZĄDZENIA.....	19
CZĘŚĆ 4: INSTRUKCJA OBSŁUGI.....	20
CZĘŚĆ 5: KONSERWACJA I CZYSZCZENIE.....	22
CZĘŚĆ 6: ROZWIĄZYWANIE PROBLEMÓW.....	25
CZĘŚĆ 7: ARKUSZ INFORMACYJNY	28



Urządzenie zostało przetestowane zgodnie z obowiązującymi dyrektywami Unii Europejskiej.
Urządzenie jest zgodne z przepisami bezpieczeństwa dotyczącymi urządzeń elektrycznych w Unii Europejskiej.

CZĘŚĆ 1: INSTRUKCJE BEZPIECZEŃSTWA



1.1 Ogólne ostrzeżenia dotyczące bezpieczeństwa

W CELU BEZPIECZEŃSTWA I PRAWIDŁOWEGO STOSOWANIA PRZED INSTALACJĄ I PIERWSZYM UŻYCIEM URZĄDZENIA PROSIMY UWAŻNIE PRZECZYTAĆ NINIEJSZĄ INSTRUKCJĘ, W TYM WSKAZÓWKI I OSTRZEŻENIA. ABY ZAPOBIEGAĆ NIEPOŻĄDANYM BŁĘDOM I WYPADKOM, WAŻNE JEST ZAPEWNIENIE, ŻE WSZYSTKIE OSOBY KORZYSTAJĄCE Z URZĄDZENIA ZOSTAŁY POINFORMOWANE O FUNKCJONOWANIU I BEZPIECZEŃSTWIE.

ZACHOWAJ INSTRUKCJĘ W PRZYPADKU SPRZEDAŻY URZĄDZENIA I UPEWNIJ SIĘ, ŻE NINIEJSZA INSTRUKCJA POZOSTAJE W URZĄDZENIU, ABY MOŻNA BYŁO Z NIEGO KORZYSTAĆ PRZEZ CAŁY OKRES UŻYTKOWANIA. ZE WZGLĘDÓW BEZPIECZEŃSTWA I W CELU OCHRONY MIENIA NALEŻY POSTĘPOWAĆ ZGODNIE Z INSTRUKCJAMI W TEJ INSTRUKCJI OBSŁUGI, PONIEWAŻ PRODUCENT NIE PONOSI ODPOWIEDZIALNOŚCI ZA SZKODY PRZYCZYNIONE NIEPRZESTRZEGANIEM TEJ INSTRUKCJI.

- TO URZĄDZENIE MOGĄ UŻYWAĆ DZIECI DO 8 LAT I OSOBY ZE ZMNIEJSZONYMI FIZYCZNYMI, SENSORYCZNYMI I UMYSŁOWYMI UMIEJĘTNOŚCIAMI, ALBO BEZ DOSTATECZNYCH UMIEJĘTNOŚCI, KIEDY SĄ ONE POD DOZOREM ALBO BYŁY NAUCZONE JAK POPRAWNIE I BEZPIECZNIE UŻYWAĆ URZĄDZENIE I ZROZUMIELI MOŻLIWE RYZYKA.
- DZIECI W WIEKU OD 3 DO 8 LAT MOGĄ WKŁADAĆ I WYJMOWAĆ ŻYWNOSĆ Z URZĄDZEŃ CHŁODNICZYCH.
- DZIECI NIE MOGĄ SIĘ BAWIĆ Z URZĄDZENIEM.

- CZYSZCZENIE I KONSERWACJĘ NIE MOGĄ DZIECI WYKONYWAĆ BEZ NADZORU.
- JEŚLI PRZEWÓD ZASILAJĄCY JEST USZKODZONY, NALEŻY WYMIENIĆ GO PRZEZ PROFESJONALNE CENTRUM USŁUG, ABT ZAPOBIEGAĆ SYTUACJAM AWARYJNYM. URZĄDZENIE Z USZKODZONYM KABLEM ELEKTRYCZNYM JEST ZABRONIONE UŻYWAĆ.
- **OSTRZEŻENIE:** ABY PRZYSPIESZYĆ PROCES ROZMRAŻANIA NIE UŻYWAJ SPRZĘTU MECHANICZNEGO LUB INNYCH ŚRODKÓW NIŻ TE CO SĄ ZALECANE PRZEZ PRODUCENTA.
- **OSTRZEŻENIE:** NIE USZKADZAJ OBIEGU CHŁODZENIA.
- **OSTRZEŻENIE:** WEWNĄTRZ MIEJSCA PRZECHOWYWANIA NIE UŻYWAJ URZĄDZEŃ ELEKTRYCZNYCH, JEŻELI TYP NIE JEST ZALECANY PRZEZ PRODUCENTA.
- **OSTRZEŻENIE:** OTWORY WENTYLACYJNE W POKRYWIE URZĄDZENIA LUB W OBUDOWIE URZĄDZENIA MUSZĄ BYĆ DOSTĘPNE.
- **OSTRZEŻENIE:** WEWNĄTRZ MIEJSCA PRZECHOWYWANIA NIE UŻYWAJ URZĄDZEŃ ELEKTRYCZNYCH, JEŻELI TYP NIE JEST ZALECANY PRZEZ PRODUCENTA.

TO URZĄDZENIE JEST PRZEZNACZONE DO UŻYTKU W GOSPODARSTWIE DOMOWYM I DO PODOBNYCH CELÓW, TAKICH JAK:

- KUCHNIE DLA PERSONELU W SKLEPACH, BIURA I INNE ŚRODOWISKA PRACY;
- NA GOSPODARSTWACH I DLA KLIENTÓW HOTELI, MOTELI I INNYCH TYPÓW MIESZKANIOWYCH;
- ŚRODOWISKA ZAKWATEROWANIA Z ŚNIADANIEM;
- CATERING I PODOBNE ZASTOSOWANIA DETALICZNE.



OSTRZEŻENIE:
NIEBEZPIECZEŃSTWO POŻARU / MATERIAŁY
ŁATWOPALNE!

ZAWIERA GAZ CHŁODNICZY ISOBUTAN

R600A

CHŁODZIWO

CHŁODZONY ISOBUTAN (R600A) ZAWARTY W OBIEGU CHŁODZENIA URZĄDZENIA JEST NATURALNYM GAZEM Z WYSOKĄ KOMPATYBILNOŚCIĄ ZE ŚRODOWISKIEM, KTÓRY JEST ŁATWOPALNY. PODCZAS TRANSPORTU I INSTALACJI NALEŻY UWAŻAĆ NA USZKODZENIE KOMPONENTÓW OBWODU CHŁODZENIA. CHŁODZIWO (R600A) JEST ŁATWOPALNE.

● **OSTRZEŻENIE** — LODÓWKI W IZOLACJI ZAWIERAJĄ GAZY CHŁODNICZE I CHŁODZĄCE. CHŁODNICE I GAZY CHŁODZĄCE MUSZĄ BYĆ USUWANE PROFESJONALNIE, MOGĄ SPOWODOWAĆ OBRAŻENIE OCZU. PRZED WYKONANIEM POPRAWNEGO USUNIĘCIA UPEWNIJ SIĘ, ŻE RURKA OBIEGU CHŁODZENIA NIE JEST USZKODZONA.



SYMBOL  OSTRZEŻENIE I ZNACZY TO, ŻE CHŁODZENIE I GAZY CHŁODNICZE SĄ ŁATWOPALNE.

OSTRZEŻENIE: RYZYKO POŻARU MATERIAŁÓW ŁATWOPALNYCH

JEŚLI OBWÓD CHŁODZENIA SIĘ USZKODZI:

- UNIKNIJ OTWARTEGO POŻARU I ZAPŁONU.
- DOKŁADNIE WENTYLUJ POKÓJ, W KTÓRYM SIĘ URZĄDZENIE ZNAJDUJE.

JEST NIEBEZPIECZNA ZMIANA LUB MODYFIKACJA URZĄDZENIA W DOWOLNY SPOSÓB. JAKIEKOLWIEK USZKODZENIE PRZEWODU ZASILAJĄCEGO MOŻE SPOWODOWAĆ KRÓTKI OBWÓD, POŻAR I / LUB PORAŻENIE PRĄDEM ELEKTRYCZNYM.

● **UWAGA:** UKŁAD CHŁODZENIA ZAWIERA CHŁODNICTWO POD WYSOKIM CIŚNIENIEM. NIE OBSŁUGUJ SYSTEMU. NALEŻY GO NAPRAWIĆ TYLKO I WYŁĄCZNIE PRZEZ WYKWALIFIKOWANĄ OSOBĘ.

● **UWAGA:** PRZY USTAWIENIU URZĄDZENIA, UPEWNIJ SIĘ, ŻE KABEL ELEKTRYCZNY NIE JEST ZATKNIĘTY LUB USZKODZONY.

● **UWAGA:** NIE DAWAJ WIELU PRZENOŚNYCH GNIAZD ELEKTRYCZNYCH ANI PRZENOŚNYCH ŹRÓDEŁ ZASILANIA NA TYLNA STRONĘ URZĄDZENIA.



ELEKTRYCZNE BEZPIECZEŃSTWO

1. KABEL ZASILAJĄCY NIE MOŻE BYĆ PRZEDŁUŻANY.
2. UPEWNIJ SIĘ, ŻE PRZEWÓD MOCY NIE JEST USZKODZONY. ZGNIĘCIONA LUB USZKODZONA WTYCZKA MOŻE SIĘ PRZEGRZEWAĆ I SPOWODOWAĆ POŻAR.
3. UPEWNIJ SIĘ, ŻE MASZ WOLNY DOSTĘP DO GNIAZDKA URZĄDZENIA.
4. NIE CIĄGNIJ ZA KABEL ZASILAJĄCY.

5. NIE NALEŻY PODŁĄCZAĆ WTYCZKI KIEDY JEST POLUZOWANE GNIAZDKO ELEKTRYCZNE. GROZI RYZYKO PORAŻENIA PRĄDEM LUB POŻARU.
6. NIE UŻYWAJ TEGO URZĄDZENIA BEZ POKRYCIA OŚWIETLENIA WEWNĘTRZNEGO.
7. LODÓWKA JEST PRZEZNACZONA TYLKO DO ZASILANIA Z JEDNEJ FAZY ZASILANIA O WARTOŚCIACH 220~240 V/50 HZ. JEŚLI WAHANIA NAPIĘCIA W MIEJSCU ZAMIESZKANIA UŻYTKOWNIKA SĄ TAKIE WIELKIE, ŻE PRZEKRACZAJĄ POWYŻSZE GRANICE ZE WZGLĘDU NA BEZPIECZEŃSTWO UŻYJ AUTOMATYCZNEGO REGULATORA NAPIĘCIA O WIĘCEJ NIŻ 350 W DLA LODÓWKI.

LODÓWKA MUSI BYĆ WYPOSAŻONA W SPECJALNĄ WTYCZKĘ ZASILAJĄCĄ W MIEJSCU WSPÓLNYM Z INNYMI ELEKTRYCZNYMI URZĄDZENIAMI. WTYCZKA MUSI BYĆ PRAWIDŁOWA Z GNIAZDKIEM ELEKTRYCZNYM.

STOSOWANIE NORMALNE

- NIE NALEŻY PRZECHOWYWAĆ ŁATWOPALNYCH GAZÓW LUB CIECZY W URZĄDZENIU. GROZI RYZYKO WYBUCHU.
- NIE UŻYWAJ INNYCH URZĄDZEŃ ELEKTRYCZNYCH W URZĄDZENIU (NP. ELEKTRYCZNY PRODUCENT LODÓW, MIKSERY ITP.)
- PODCZAS ODŁĄCZANIA URZĄDZENIA Z GNIAZDKA ELEKTRYCZNEGO, ZAWSZE NALEŻY CIĄGNAĆ ZA WTYCZKĘ. NIE CIĄGNIJ ZA KABEL.
- NIE STAWIAJ GORĄCYCH ELEMENTÓW W POBLIŻU CZĘŚCI Z TWORZYWA SZTUCZNEGO URZĄDZENIA.
- NIE UMIESZCZAJ ŻADNYCH ARTYKUŁÓW W POBLIŻU TYLNYCH OTWORÓW NA ŚCIANIE.
- PAKOWANE MROŻONE ŻYWNOCI PRZECHOWYWUJ ZGODNIE Z INSTRUKCJAMI PRODUCENTA.

- MIAŁ BYŚ ŚCISŁO DOTRZYMAĆ ZALECENIA PRZECHOWYWANIA W URZĄDZENIU PRZEZ PRODUCENTA. ZOBACZ OBOWIĄZUJĄCE INSTRUKCJE DOTYCZĄCE PRZECHOWYWANIA.
- NIE WOLNO WSTAWIAĆ GAZOWANYCH NAPOJÓW W ZAMRAŻARCE DLATEGO BO MOGĄ STWORZYĆ CIŚNIENIE W POJEMNIKU KTÓRY MOŻE WYBUCHNĄĆ, CO MOŻE USZKODIĆ URZĄDZENIE.
- NIE WYSTAWIAJ URZĄDZENIA NA BEZPOŚREDNIE DZIAŁANIE PROMIENI SŁONECZNYCH.
- MIEJ PRZY SOBIE PŁONĄCE ŚWIECZKI, LAMPY I INNE PRZEDMIOTY Z OTWARTYM OGNIEM W WYSTARCZAJĄCEJ ODLEGŁOŚCI OD URZĄDZENIA, ABY UNIKNĄĆ RYZYKA POŻARU.
- URZĄDZENIE JEST PRZEZNACZONE DO PRZECHOWYWANIA ŻYWNOŚCI I NAPOJÓW W NORMALNYM GOSPODARSTWIE DOMOWYM, JAK OPISANO W INSTRUKCJI OBSŁUGI. URZĄDZENIE JEST CIĘŻKIE. ZACHOWAJ OSTROŻNOŚĆ PODCZAS PRZENOSZENIA.
- NIE WYJMUJ ANI NIE DOTYKAJ PRZEDMIOTÓW W KOMORZE ZAMRAŻARKI MOKRYMI / WILGOTNYMI RĘKAMI, PONIEWAŻ MOŻE TO SPOWODOWAĆ OBRAŻENIA SKÓRY LUB POPARZENIA MROZEM.
- NIGDY NIE UŻYWAJ DNA, SZUFLAD, DRZWI ITP. DO WSPINACZKI LUB JAKO WSPARCIE.
- MROŻONEJ ŻYWNOŚCI NIE WOLNO PONOWNIE ZAMRAŻAĆ PO ROZMROŻENIU.
- ABY NIE DOPUŚCIĆ DO UPADKU PRZEDMIOTÓW, ZRANIENIA LUB USZKODZENIA URZĄDZENIA, NIE NALEŻY PRZECIĄGAĆ KOMÓR, NIE WKŁADAJ NADMIERNYCH ILOŚCI JEDZENIA DO DRZWI LUB SZUFLADY.

INSTALACJA WAŻNE!

- ZACHOWAJ OSTROŻNOŚĆ PODCZAS PODŁĄCZANIA DO SIECI, POSTĘPUJ ZGODNIE Z INSTRUKCJAMI W TEJ INSTRUKCJI OBSŁUGI. ROZPAKUJ URZĄDZENIE I SPRAWDŹ, CZY NIE MA WIDOCZNYCH USZKODZEŃ.
- JEŚLI URZĄDZENIE JEST USZKODZONE, NIE PODŁĄCZAJ GO. NOTYFIKUJ MOŻLIWE SZKODY W MIEJSCU ZAKUPU. W TAKIM PRZYPADKU ZACHOWAJ OPAKOWANIE.
- ZALECA SIĘ ODCZEKAĆ KILKA GODZIN PRZED PODŁĄCZENIEM URZĄDZENIA, ABY OLEJ USTABILIZOWAŁ SIĘ W SPRĘŻARCE.
- ZAPEWNIJ ODPOWIEDNIĄ WENTYLACJĘ WOKÓŁ URZĄDZENIA, W PRZECIWNYM RAZIE MOŻE WYSTĄPIĆ PRZEGRZANIE. PRZESTRZEGAJ ODPOWIEDNIEJ WENTYLACJI.
- JEŚLI TO MOŻLIWE, TYŁ URZĄDZENIA NIE POWINIEN BYĆ BARDZO BLISKO ŚCIANY I NIE NALEŻY DOTYKAĆ GORĄCYCH CZĘŚCI (SPRĘŻARKI, SKRAPLACZA), ABY UNIKNĄĆ RYZYKA POŻARU, POSTĘPUJ ZGODNIE Z ODPOWIEDNIMI INSTRUKCJAMI INSTALACJI.
- URZĄDZENIE NIE WOLNO UMIESZCZAĆ W POBLIŻU GRZEJNIKÓW LUB PIECÓW.
- PO INSTALACJI URZĄDZENIA UPEWNIJ SIĘ, ŻE WTYCZKA JEST ŁATWO DOSTĘPNA.
- WSZYSTKIE OPAKOWANIA NALEŻY PRZECHOWYWAĆ POZA ZASIĘGIEM DZIECI, PONIEWAŻ ISTNIEJE RYZYKO UDUSZENIA.

- WŁĘTRZE LODÓWKI / ZAMRAŻARKI MOŻE ŚMIERDZIEĆ PRZED PIERWSZYM UŻYCIEM. TO NORMALNE ZJAWISKO. ZAPACH ZNIKA, GDY TYLKO URZĄDZENIE ZACZNIĘ CHŁODZIĆ / ZAMRAŻAĆ.
- PRZED PODŁĄCZENIEM LODÓWKI / ZAMRAŻARKI UPEWNIJ SIĘ, ŻE NAPIĘCIE SIECIOWE ODPOWIADA WYMAGANIOM DOTYCZĄCYM PODŁĄCZENIA LODÓWKI / ZAMRAŻARKI. W RAZIE WĄPLIWOŚCI SKONSULTUJ SIĘ Z WYKWALIFIKOWANYM ELEKTRYKIEM.
- URZĄDZENIE NALEŻY PODŁĄCZYĆ DO GNIAZDKA O ODPOWIEDNIM NAPIĘCIU I PRAWIDŁOWO ZAINSTALOWANEJ PODSTAWCE Z BEZPIECZNIKIEM.
- LODÓWKI / ZAMRAŻARKI NIE WOLNO UMIESZCZAĆ NA ZEWNĄTRZ ANI WYSTAWIAĆ NA DZIAŁANIE DESZCZU.
- LODÓWKO-ZAMRAŻARKA MUSI BYĆ UMIESZCZONA CO NAJMNIEJ 50 CM OD GRZEJNIKÓW, RUR GRZEWCZYCH, RUR GAZOWYCH ITP.
- JEŚLI LODÓWKA Z ZAMRAŻARKĄ ZNAJDUJE SIĘ OBOK ZAMRAŻARKI, MUSI MIN. ROZSTAW 2 CM.
- NIE KŁADŹ CIĘŻKICH PRZEDMIOTÓW NA LODÓWCE / ZAMRAŻARCE, NIE PRZYKRYWAJ JEJ.
- NAD LODÓWKĄ / ZAMRAŻARKĄ MUSI ZNAJDOWAĆ SIĘ MIN. 100 - 150 MM WOLNEJ PRZESTRZENI.
- ZAINSTALOWAĆ DWIE PLASTIKOWE PROWADNICE NA SKRAPLACZU LODÓWKO-ZAMRAŻARKI, KTÓRE ZAPOBIEGAJĄ DOTYKANIU ŚCIANY I SKRAPLACZA.
- TO URZĄDZENIE JEST PRZEZNACZONE DO UŻYTKU DOMOWEGO I NADAJE SIĘ WYŁĄCZNIE DO CHŁODZENIA / ZAMRAŻANIA ŻYWNOŚCI. NIE NADAJE SIĘ DO UŻYTKU KOMERCYJNEGO ANI DO PRZECHOWYWANIA SUBSTANCJI INNYCH NIŻ ŻYWNOŚĆ. PRODUCENT NIE PONOSI ODPOWIEDZIALNOŚCI ZA JAKIEKOLWIEK STRATY SPOWODOWANE NIEWŁAŚCIWYM UŻYTKOWANIEM URZĄDZENIA.

Zgodnie z normą UE


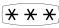
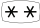

To urządzenie może być używane przez dzieci w wieku 8 lat i starsze oraz przez osoby o ograniczonych zdolnościach fizycznych, sensorycznych i umysłowych lub bez doświadczenia i wiedzy w jego obsłudze, pod warunkiem, że są one nadzorowane lub zostały poinstruowane, jak bezpiecznie z niego korzystać i rozumieją związane z tym zagrożenia. Dzieci nie mogą bawić się urządzeniem. Czyszczenie i konserwacja urządzenia nie mogą być wykonywane przez dzieci bez nadzoru osoby dorosłej.

Aby uniknąć zanieczyszczenia żywności, należy postępować zgodnie z poniższymi wskazówkami:

- Otwieranie drzwi na dłuższy czas może spowodować znaczny wzrost temperatury wewnątrz urządzenia.
- Należy regularnie czyścić powierzchnie, które mogą mieć kontakt z żywnością oraz dostępne systemy odprowadzenia ściekającej wody.
- W przypadku zbiorników czystej wody, jeśli nie były one używane przez 48 godzin; przepłukać instalację wodną podłączoną do sieci wodociągowej, jeśli woda nie była pobierana przez 5 dni. **(Uwaga 1) (*)**
- Przechowywać surowe mięso i ryby w komorze chłodziarki w odpowiednich pojemnikach, aby nie miały kontaktu z innymi produktami spożywczymi i nie kapąło z nich na inne produkty.
- Dwugwiazdkowe szuflady na mrożonki nadają się do przechowywania wstępnie zamrożonej żywności, przechowywania lub robienia lodów oraz robienia kostek lodu. **(Uwaga 2) (*)**
- Szuflady z 1, 2 i 3 gwiazdkami nie nadają się do zamrażania świeżej żywności. **(Uwaga 3) (*)**
- W przypadku urządzeń bez 4-gwiazdkowej komory: To urządzenie nie nadaje się do zamrażania żywności. **(Uwaga 4) (*)**
- Jeśli urządzenie ma pozostać puste przez dłuższy czas, należy je wyłączyć, rozmrozić, wyczyścić, wysuszyć i pozostawić drzwi otwarte, aby nie tworzyła się w nim pleśń.

Uwagi 1,2,3,4: Upewnij się, że mają one zastosowanie w odniesieniu do zakupionego przez Państwo produktu.

(*): Ta funkcja różni się w zależności od zakupionego modelu.

	Symbol "4 gwiazdki": Komora zamrażarki o temperaturze -18 °C lub niższej, zdolna do szybkiego zamrażania dużej ilości żywności
	Symbol "3 gwiazdki": Komora zamrażarki o temperaturze -18 °C lub niższej
	Symbol "2 gwiazdki": Komora zamrażarki o temperaturze -12 °C lub niższej
	Symbol "1 gwiazdki": Komora zamrażarki o temperaturze docelowej i warunkach przechowywania -6 °C

OSTRZEŻENIE

Ten produkt nie jest zalecany do użytku z gniazdami lub wyłącznikiem zasilania z funkcją A/GFCI, w przeciwnym razie może spowodować to fałszywe jego wyłączenie.

1. Po uruchomieniu nie stanowi zagrożenia dla bezpieczeństwa.

2. Jeśli wyłączenia nie ustąpią, zaleca się wymianę gniazdka lub wyłącznika zasilania na taki bez funkcji a/gfci.

OSTRZEŻENIE

Ryzyko zamknięcia się dziecka. Przed wyrzuceniem starego urządzenia:

> Zdjąć drzwi urządzenia.

> Pozostawić półki na swoim miejscu, aby utrudnić dzieciom wejście do środka urządzenia.

CZĘŚĆ 2: INSTRUKCJE W ZAKRESIE INSTALACJI URZĄDZENIA

Przed pierwszym użyciem urządzenia

Zdjąć opakowanie zewnętrzne i wewnętrzne, dokładnie wytrzeć zewnętrzną powierzchnię urządzenia miękką, suchą ściereczką, a jego wnętrze wilgotną, wykręconą szmatką.

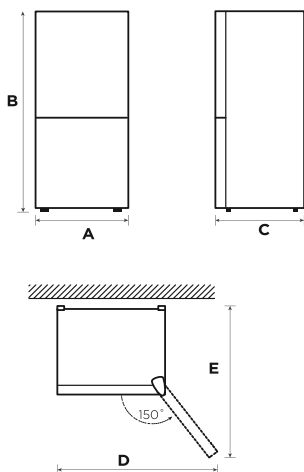
Nie umieszczać urządzenia w wąskich niszach lub w pobliżu źródeł ciepła, bezpośredniego światła słonecznego lub wilgoci. Zapewnić swobodną cyrkulację powietrza wokół obudowy urządzenia.

Podczas instalacji urządzenia upewnić się, że po obu jego stronach pozostało 10 cm wolnej przestrzeni, 10 cm z tyłu urządzenia i 10 cm w jego górnej części.

Przed podłączeniem urządzenia do źródła zasilania upewnić się, że napięcie wskazane na tabliczce znamionowej urządzenia odpowiada napięciu znamionowemu w sieci lokalnej. Inne wartości napięcia mogą uszkodzić urządzenie.

Urządzenie musi być uziemione. Producent nie ponosi odpowiedzialności za uszkodzenia, które mogą powstać w wyniku użytkowania urządzenia bez uziemienia.

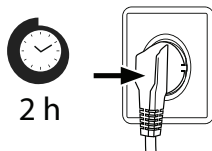
Zobacz wymagania dotyczące miejsca rozmieszczenia urządzenia



A	B	C	D	E
470	1500	566	965	1093

Podłączenie urządzenia

Po zainstalowaniu urządzenia nie należy włączać go przez ponad 2 godziny, w przeciwnym razie doprowadzi to do zmniejszenia wydajności chłodzenia lub jego uszkodzenia.



Po włączeniu nie wkładać nic do urządzenia przez 24 godziny, aby umożliwić schłodzenie wnętrza do odpowiedniej temperatury.

OSTRZEŻENIE

Urządzenie powinno być zawsze podłączone do oddzielnego gniazdka elektrycznego, którego napięcie odpowiada napięciu podanemu na jego tabliczce znamionowej.

Podczas instalacji urządzenia należy upewnić się, że przewód zasilający nie jest przytrzaśnięty lub uszkodzony.

Temperatura otoczenia

W zależności od swojej klasy klimatycznej urządzenie jest przeznaczone do pracy w zakresie temperatur otoczenia, takich, jak pokazano to w poniższej tabeli.

Urządzenie może nie działać prawidłowo w temperaturach wychodzących poza określony zakres.

Klasę klimatyczną można znaleźć na etykiecie urządzenia.

Klasa klimatyczna	Temperatura otoczenia
SN	+10 °C to +32 °C
N	+16 °C to +32 °C
ST	+16 °C to +38 °C
T	+16 °C to +43 °C

Jeśli macie Państwo jakiegokolwiek wątpliwości dotyczące instalacji, prosimy o kontakt ze sprzedawcą, naszym działem obsługi klienta lub najbliższym autoryzowanym centrum serwisowym.

OSTRZEŻENIE

Na wydajność chłodzenia i zużycie energii przez urządzenie może mieć wpływ temperatura otoczenia, częstotliwość otwierania jego drzwi oraz jego lokalizacja. W razie potrzeby zalecamy dostosowanie ustawień temperatury.

Zmiana kierunku otwierania drzwi (opcjonalnie)

Części wchodzące w skład zestawu:



Lewy ogranicznik (2)



Podkładka

Części już zamontowane w drzwiach (w zestawie):



Prawy ogranicznik



Śruba prawego ogranicznika



Zaślepka otworu (2)



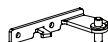
Osłona górnego zawiasu



Śruba górnego zawiasu



Zawias górny



Zawias środkowy



Śruba zawiasu środkowego



Zawias dolny



Regulowana nóżka

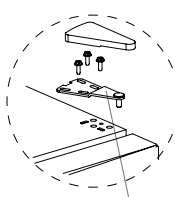
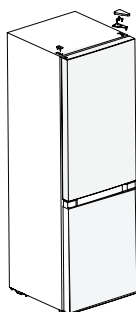
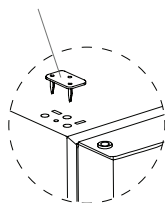


Zaślepka otworu

Czynności:

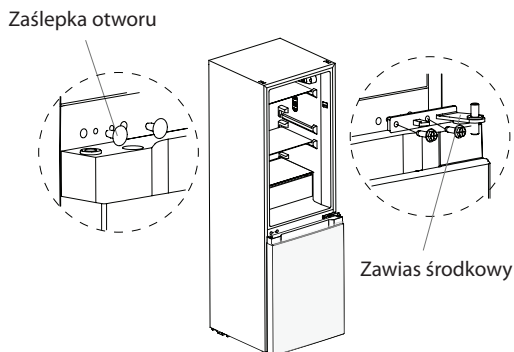
1. Wyłączyć urządzenie i wyjąć wszystkie produkty z półek w drzwiach.
2. Zdjąć osłonę górnego zawiasu, a następnie wyjąć śrubę górnego zawiasu, górny zawias oraz zaślepkę otworu, która znajduje się po drugiej stronie urządzenia.

Zaślepka otworu



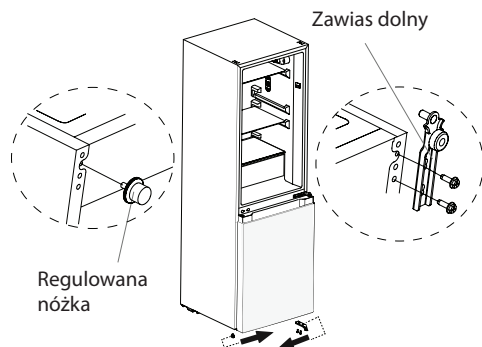
Górny zawias

3. Zdjąć drzwi komory chłodziarki, środkowy zawias i zaślepkę otworu.



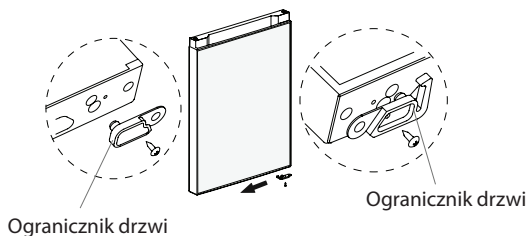
4. Zdjąć drzwi komory zamrażarki, dolny zawias i regulowaną nóżkę po drugiej stronie.

5. Przełożyć regulowaną nóżkę i dolny zawias na drugą stronę, a następnie zamocować je na nowym miejscu.

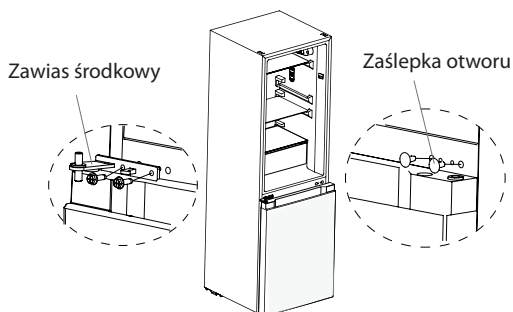


6. Wykręcić śrubę i zdjąć ogranicznik, zamontowany w dolnej części pokrywy drzwi komory chłodziarki i zamrażarki.

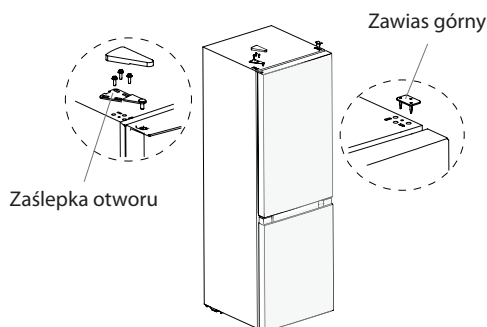
7. Wyjąć ogranicznik z dołączonej plastikowej torby, przymocować go po drugiej stronie dolnej pokrywy drzwi komory chłodziarki i drzwi komory zamrażarki.



8. Założyć drzwi komory zamrażarki z góry na dół, wyjąć podkładkę z dołączonej plastikowej torby i założyć ją na otwór osi po drugiej stronie drzwi komory zamrażarki.
9. Zamocować środkowy zawias za pomocą śrub i założyć 2 zaślepki otworów.



10. Umieścić drzwi przedziału chłodziarki na środkowym zawiasie, zamontować górny zawias po drugiej stronie, założyć osłonę zawiasu górnego i zaślepkę otworu, tak, jak pokazano to na poniższych rysunkach.



OSTRZEŻENIE

Różnice: Ze względu na zmiany techniczne i różne modele, niektóre rysunki przedstawione w tej instrukcji obsługi mogą różnić się od tych przedstawionych w Państwa modelu.



Nóżki poziomujące

Aby uniknąć wibracji, urządzenie należy wypoziomować.

W razie potrzeby należy wyregulować nóżkami poziomującymi nierówności podłogi.

Przednia część urządzenia powinna znajdować się nieco wyżej niż tylna, aby ułatwić zamykanie się drzwi.

Dla ułatwienia obracania nóżkami poziomującymi należy lekko przechylić obudowę urządzenia.

Aby podnieść urządzenie należy obracać nóżki  poziomujące w kierunku przeciwnym do ruchu wskazówek zegara, natomiast  aby urządzenie opuścić należy obracać je zgodnie z ruchem wskazówek zegara.

Wymiana żarówki oświetlenia

Wszelka wymiana lub konserwacja żarówek LED powinna być wykonywana przez producenta, jego przedstawiciela serwisowego lub podobnie wykwalifikowane osoby.

To urządzenie zawiera źródło światła o klasie efektywności energetycznej (G).

Po podłączeniu przewodu zasilającego do gniazdka elektrycznego należy odczekać 2 - 3 godziny przed włożeniem żywności do urządzenia. Jedzenie może się zepsuć, jeżeli zostanie włożone zanim urządzenie całkowicie się schłodzi.

Zmiana lokalizacji urządzenia

1. Wyjąć wszystkie produkty z urządzenia.
2. Wyciągnąć wtyczkę zasilania i zamocować ją na haczyku przeznaczonym do jej zawieszenia znajdującym się z tyłu lub na górze urządzenia.
3. Części, takie jak półki i drzwi należy zakleić taśmą, aby nie wypadły i nie otworzyły się podczas przenoszenia urządzenia.
4. Urządzenie powinno być ostrożnie przenoszone przez więcej niż dwie osoby. Podczas transportu urządzenia na duże odległości należy utrzymywać je w pozycji pionowej.

Wskazówki dotyczące oszczędzania energii

Nie umieszczać urządzenia w pobliżu pieców, kaloryferów lub innych źródeł ciepła. Jeśli temperatura otoczenia jest wysoka, sprężarka będzie pracować częściej i dłużej, co spowoduje zwiększone zużycie energii. Zapewnić odpowiednią wentylację w dolnej części urządzenia, po jego bokach i z tyłu.

Należy również przestrzegać wielkości odstępów podanych w rozdziale "Instalacja".

Rozmieszczenie szuflad, półek i regałów, takie, jak przedstawiono to w opisie urządzenia, zapewnia najbardziej efektywne wykorzystanie energii i powinno być zachowane w jak największym stopniu.

Aby uzyskać więcej miejsca do przechowywania żywności (np. w przypadku dużych produktów chłodzonych/mrożonych), można wyjąć środkowe szuflady i półki. Górne i dolne szuflady i półki należy w razie konieczności wyjmować w ostatniej kolejności.

Równomiernie wypełniona komora chłodziarko-zamrażarki przyczynia się do optymalnego wykorzystania energii. Przed włożeniem ciepłych potraw do lodówki/zamrażarki należy pozwolić im ostygnąć. Wkładanie ostygłej żywności zwiększa efektywność energetyczną. Zamrożone potrawy zaleca się rozmrażać w komorze chłodziarki. Chłód mrożonek zmniejsza zużycie energii w komorze chłodziarki, a tym samym zwiększa efektywność energetyczną. Drzwi powinny być otwierane tylko na tak krótki, niezbędny czas, aby zminimalizować straty zimna. Otwarcie drzwi na krótki czas i ich prawidłowe zamknięcie zmniejsza zużycie energii.

Ustawienie temperatury nie niższej niż jest to wymagane przyczynia się do optymalnego wykorzystania energii.

Uszczelka drzwi urządzenia musi być w stanie idealnie nienaruszonym, tak aby drzwi zamykały się prawidłowo i niepotrzebnie nie zwiększały zużycia energii.

Urządzenie nie działa

Przerwa w dostawie energii elektrycznej:

W przypadku przerwy w dostawie prądu, nawet latem, żywność może pozostać w urządzeniu przez kilka godzin; Podczas przerwy w dostawie prądu należy skrócić czasy otwarcia drzwi i nie wolno wkładać do urządzenia świeżej żywności.

Długotrwałe nieużywanie urządzenia:

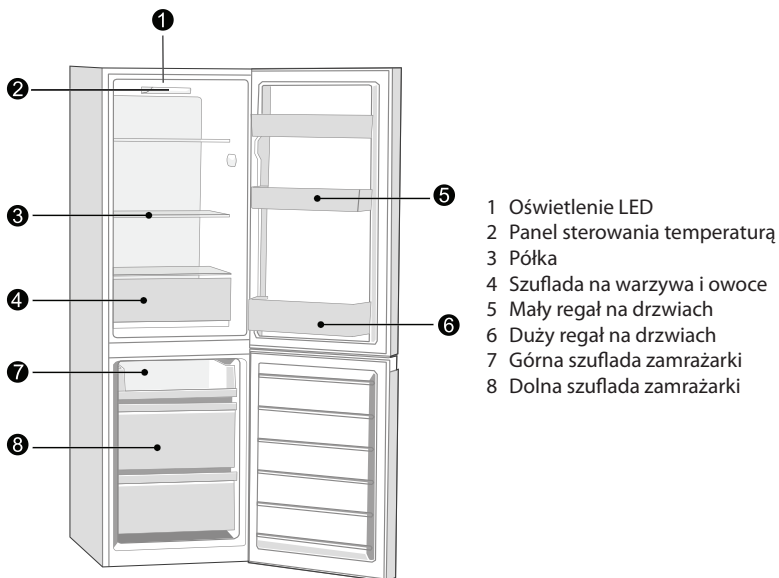
Urządzenie należy odłączyć od sieci, a następnie wyczyścić. Po wyczyszczeniu pozostawić drzwi otwarte, aby zapobiec powstawaniu nieprzyjemnych zapachów.

Zmiana miejsca rozmieszczenia:

Przed przeniesieniem urządzenia w inne miejsce należy usunąć z niego wszystkie produkty, przymocować taśmą szklane półki, szufladę na warzywa, szuflady zamrażarki itp. i dokręcić nóżki poziomujące. Zamknąć drzwi i przymocować je taśmą. Urządzenie nie może być przenoszone w pozycji do góry nogami ani poziomo i nie może być narażone na wibracje. Nachylenie urządzenia podczas przenoszenia nie może przekraczać 45°

CZĘŚĆ 3: PRZEGLĄD CZĘŚCI FUNKCJONALNYCH URZĄDZENIA

Typ normalny



- > Aby jak najefektywniej wykorzystać energię, wszystkie elementy wewnętrzne, takie jak regały, szuflady, półki i pojemniki na kostki lodu, należy utrzymywać w położeniu określonym przez producenta.
- > To urządzenie musi być instalowane autonomicznie i nie może być użytkowane w zabudowie. W przeciwnym razie spowoduje to zmniejszenie jego wydajności i żywotności. W takim przypadku producent nie udziela podstawowej gwarancji na urządzenie.

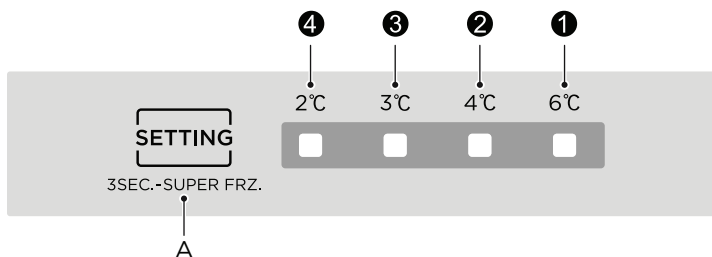
OSTRZEŻENIE

Różnice: Ze względu na zmiany techniczne i różne modele, niektóre rysunki w tej instrukcji obsługi mogą różnić się od tych przedstawionych w Państwa modelu.

CZĘŚĆ 4: INSTRUKCJA OBSŁUGI

Użytkowanie i funkcje urządzenia

Funkcje



Wyświetlacz

1. LED 1 : 6°C
2. LED 2 : 4°C
3. LED 3 : 3°C
4. LED 4 : 2°C

Przycisk

A Przycisk ustawień (przycisk ustawienia temperatury w komorze chłodziarki)

Opis

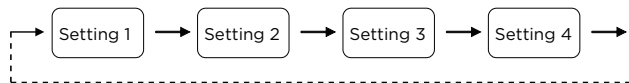
- > Po pierwszym włączeniu ekran wyświetlacza podświetlony jest przez 3 sekundy, a następnie urządzenie przechodzi w stan ustawienia domyślnego 2 (4 °C).
- > W przypadku awarii odpowiedni wskaźnik LED zacznie migać.
- > W przypadku normalnej pracy wyświetlane są aktualne ustawienie temperatury w komorze chłodziarki.

Kod błędu	Opis błędu
LED 1	Czujnik temperatury otoczenia
LED 2	Czujnik rozmrażania komory zamrażarki
LED 3	Czujnik rozmrażania komory chłodziarki
LED 4	Obwód czujnika temperatury komory chłodziarki

Ustawienie temperatury

Każde naciśnięcie przycisku ustawienia temperatury „A” powoduje jednokrotną zmianę ustawienia temperatury. Po zakończeniu ustawiania temperatury urządzenie zacznie pracować zgodnie z ustawioną wartością po 30 sekundach.

Procedura ustawienia temperatury jest następująca:



Tryb szybkiego zamrażania

Nacisnąć i przytrzymać przycisk ustawiania temperatury „A” przez 3 sekundy. Zaświeci się wskaźnik LED ② oraz wskaźnik LED ③ i po 30 sekundach urządzenie przejdzie w tryb szybkiego zamrażania.

Nacisnąć i przytrzymać przycisk ustawiania temperatury przez 3 sekundy, aby anulować tryb szybkiego zamrażania.

Zalecane ustawienie:

Komora chłodziarki 4°C.

OSTRZEŻENIE

Funkcja szybkiego zamrażania ma na celu zachowanie wartości odżywczych żywności w komorze zamrażarki. Używając jej można zamrozić żywność w bardzo krótkim czasie. Jeśli jednorazowo zamrożona zostanie duża ilość żywności, zaleca się, aby użytkownik włączył funkcję szybkiego zamrażania przed jej włożeniem. Po jej włączeniu wzrasta szybkość zamrażania w komorze zamrażarki, umożliwiając szybkie zamrożenie żywności, skutecznie zabezpieczając jej wartości odżywcze i ułatwiając jej przechowywanie.

Przechowywanie żywności

Komora zamrażarki

Komora zamrażarki przeznaczona jest do zamrażania żywności w niskich temperaturach, długotrwałego jej przechowywania oraz do produkcji kostek lodu.

Należy zwrócić uwagę na oznaczenia w postaci gwiazdek (4 gwiazdki, 2 gwiazdki i 1 gwiazdka) w komorze zamrażarki i wynikające z nich czasy przechowywania mrożonek.

Nie powinno się umieszczać świeżej i mrożonej żywności obok siebie. Mrożonki mogą się rozmrozić.

W przypadku zamrażania dużych ilości świeżej żywności (takiej jak mięso, ryby lub siekane mięso) przed jej włożeniem do zamrażarki należy ją podzielić na kilka mniejszych porcji, aby można ją było szybko i łatwo zamrozić. Przestrzegać okresów przechowywania żywności zalecanych przez jej producentów, umieszczonych na opakowaniach, a jeśli na opakowaniu nie ma takiej informacji, żywność nie powinna być przechowywana w stanie zamrożonym dłużej niż trzy miesiące od daty jej zakupu.

Kupując mrożonki należy upewnić się, że zostały one zamrożone do odpowiedniej temperatury, a ich opakowanie nie jest uszkodzone.

Mrożonki należy przechowywać w odpowiednich opakowaniach jednostkowych, aby zapobiec zanieczyszczeniu sąsiadującej z nią żywności. Rozmrożoną żywność należy spożywać natychmiast i nie zamrażać jej ponownie.

W przypadku przedłużającej się przerwy w dostawie prądu lub awarii urządzenia należy wyjąć przechowywaną zamrożoną żywność i sprawdzić czy nadal nadaje się do jedzenia, a następnie przechowywać ją w odpowiednio chłodnym miejscu lub innym urządzeniu.

Aby rozmrozić żywność, należy wyjąć ją z zamrażarki i pozwoić jej rozmrozić się w temperaturze pokojowej lub w komorze chłodziarki. Można też użyć funkcji rozmrażania w kuchenke mikrofalowej, aby szybko rozmrozić żywność.

Aby rozmrozić tylko część żywności z opakowania, należy wyjąć potrzebną część i natychmiast zamknąć resztę opakowania. W ten sposób uniknie się "oparzeń mrozem" i ograniczy tworzenie się szronu na pozostałym jedzeniu.

Komora chłodziarki

Aby zmniejszyć wilgoć i późniejsze tworzenie się szronu, nigdy nie powinno się wkładać płynów w niezamkniętych naczyniach do komory chłodziarki.

Obłodzenie ma tendencję do koncentrowania się w najzimniejszych częściach parownika. Przechowywanie odkrytych płynów powoduje częstszą potrzebę rozmrażania.

Nigdy nie należy wkładać gorących potraw do komory chłodziarki. Powinny one najpierw ostygnąć w temperaturze pokojowej, a następnie dopiero umieszczone w komorze zamrażarki tak, aby zapewnić w niej wystarczającą cyrkulację powietrza.

Żywność lub pojemniki na żywność nie powinny dotykać tylnej ściany komory chłodziarki, ponieważ mogą przymarznąć. Nie należy otwierać drzwi komory chłodziarki zbyt często.

Mięso i oczyszczone ryby (zawinięte w opakowanie lub folię plastikową) można włożyć do komory chłodziarki i użyć w ciągu 1–2 dni.

Owoce i warzywa bez opakowania można umieścić w miejscu przeznaczonej na świeże owoce i warzywa.

OSTRZEŻENIE

Wkładanie bardzo dużej ilości żywności przy pierwszym podłączeniu urządzenia do zasilania może niekorzystnie wpłynąć na efekt mrożenia.

Okresy i temperatury przechowywania

Uwagi: Długotrwałe przechowywanie lub przechowywanie w nieodpowiedniej temperaturze zamrażania może spowodować utratę jakości lub zepsucie żywności, powodując jej marnotrawstwo. Żywność, która nie nadaje się już do spożycia może spowodować zatrucia pokarmowe. W większości przypadków minimalna temperatura przechowywania żywności powinna wynosić -18°C lub mniej.

Należy przestrzegać maksymalnych zalecanych czasów przechowywania wymienionych poniżej:

- > Gulasze, lody, kielbaski, pieczywo: 2-6 miesięcy.
- > Ryby, krewetki, jagnięcina, mięso: 4-8 miesięcy.
- > Warzywa, owoce, drób, wołowina: 6-12 miesięcy.

CZĘŚĆ 5: KONSERWACJA I CZYSZCZENIE

OSTRZEŻENIE

Przed wykonaniem jakichkolwiek rutynowych czynności konserwacyjnych należy odłączyć urządzenie od sieci i odczekać co najmniej 5 minut przed jego ponownym uruchomieniem, ponieważ częste uruchamianie może spowodować uszkodzenie sprężarki.

Nie używać urządzeń mechanicznych ani środków innych niż zalecane przez producenta w celu przyspieszenia procesu rozmrażania.

Nie próbować samodzielnie naprawiać, demontować ani modyfikować urządzenia. W przypadku konieczności naprawy prosimy o kontakt z naszym centrum serwisowym.

Przynajmniej raz w roku należy usunąć kurz z tyłu urządzenia, aby uniknąć zagrożenia pożarowego, a także zwiększonego zużycia energii.

Regularnie należy sprawdzać uszczelkę drzwi, aby upewnić się, że nie ma na niej zanieczyszczeń. Jeżeli tak jest należy wyczyścić uszczelkę drzwi miękką szmatką zwilżoną wodą z mydłem lub rozcieńczonym detergentem.

Wnętrze urządzenia należy regularnie czyścić, aby nie pojawiały się w nim nieprzyjemne zapachy.

Aby wyczyścić wnętrze urządzenia należy użyć miękkiej szmatki lub gąbki oraz dwóch łyżek sody oczyszczonej rozpuszczonej w litrze ciepłej wody.

Następnie wnętrze należy wymyć wodą i wytrzeć do czysta.

Po wyczyszczeniu drzwi urządzenia pozostawić otwarte, aby umożliwić jego naturalne wyschnięcie przed włączeniem.

Miejsca trudnodostępne (takie jak wąskie połączenia, szczeliny lub narożniki) zaleca się regularnie wycierać miękkim ręcznikiem, miękką szczoteczką itp., a jeśli jest to konieczne, użyć narzędzi pomocniczych (takich jak cienkie patyczki kosmetyczne), aby w tych miejscach nie gromadził się brud ani bakterie.

Zewnętrzną powierzchnię urządzenia należy wyczyścić miękką ściereczką zwilżoną wodą z mydłem, detergentem itp., a następnie wytrzeć do sucha.

Nie używać twardych szczotek, stalowych kulek czyszczących, szczotek drucianych, materiałów ściernych (takich jak pasta do zębów), rozpuszczalników organicznych (takich jak alkohol, aceton, olej bananowy itp.), wrzącej wody, substancji kwaśnych lub zasadowych, które mogą uszkodzić powierzchnię i wnętrze urządzenia.

Wrząca woda i rozpuszczalniki organiczne, takie jak benzen, mogą odkształcić lub uszkodzić części z tworzyw sztucznych.



Nie płucać części urządzenia bieżącą wodą lub innymi płynami podczas czyszczenia, aby uniknąć zwarć lub uszkodzeń izolacji elektrycznej w wyniku zanurzenia ich w cieczy.

Rozmrażanie

Na wewnętrznych ścianach komory zamrażarki może pojawić się warstwa szronu, jeśli drzwi komory zamrażarki otwierane są bardzo często lub są otwarte przez bardzo długi czas. Jeśli szron jest bardzo gruby, należy wybrać odpowiedni czas, w którym zapasy żywności są małe i postępować w następujący sposób:

1. Wyjąć znajdujące się w komorze zamrażarki pojemniki na żywność i akcesoria, odłączyć urządzenie od sieci i pozostawić otwarte drzwi. Dokładnie przewietrzyć pomieszczenie, aby przyspieszyć proces rozmrażania.
2. Po zakończeniu rozmrażania wyczyścić komorę zamrażarki zgodnie z opisem przedstawionym powyżej.

UWAGA!

Nie używać ostrych przedmiotów do usuwania szronu z komory zamrażarki. Dopiero po całkowitym wyschnięciu przestrzeni wewnętrznej można ponownie podłączyć urządzenie do gniazdka elektrycznego i włączyć je.

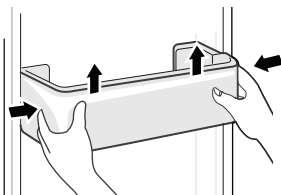
UWAGA

Po uruchomieniu, urządzenie musi pracować w trybie ciągłym. Ogólnie rzecz biorąc, nie wolno przerywać pracy urządzenia, w przeciwnym razie czas przechowywania żywotności może ulec skróceniu.

Czyszczenie regału na drzwiach

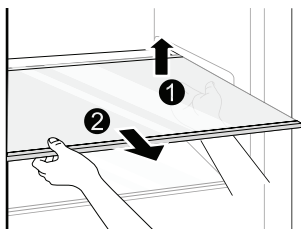
Zgodnie ze strzałką kierunkową na poniższym rysunku, ścisnąć regał obiema rękami i podnieść go do góry, a następnie wyjąć.

Po wyjęciu regału można dostosować wysokość jego ponownego montażu do własnych potrzeb.



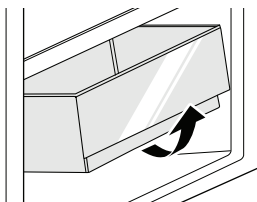
Czyszczenie szklanej półki

Ponieważ w tylnej części komory chłodziarki w miejscu, w którym jej tylna ściana styka się z półkami, znajdują się ograniczniki, zapobiegające wypadnięciu półek, aby można je było wyjąć należy je najpierw podnieść do góry. W razie potrzeby wyczyścić półki lub dostosować ich położenie do własnych potrzeb.



Czyszczenie szuflady na warzywa i owoce

Wyjąć zawartość szuflady. Chwycić za uchwyt szuflady na warzywa i owoce i ciągnąć ją do momentu, aż się zatrzyma. Następnie podnieść ją i wyjąć.



OSTRZEŻENIE

Różnice: Ze względu na zmiany techniczne i różne modele, niektóre rysunki w tej instrukcji obsługi mogą różnić się od tych w Państwa modelu.

CZĘŚĆ 6: ROZWIĄZYWANIE PROBLEMÓW

Następujące proste problemy mogą być rozwiązane przez użytkownika we własnym zakresie. Jeśli nie uda się ich rozwiązać prosimy o kontakt z centrum serwisowym.

Problem	Możliwe przyczyny	Rozwiązanie
Urządzenie nie działa.	<ul style="list-style-type: none">• Źródło zasilania nie jest podłączone, wtyczka jest źle włożona.• Niskie napięcie, przerwa w dostawie prądu lub wyłączona część obwodu.	<ul style="list-style-type: none">• Włożyć mocno wtyczkę przewodu zasilającego.• Sprawdzić sprawność zasilania w swoim domu.
Oświetlenie nie świeci się.	<ul style="list-style-type: none">• Urządzenie nie jest podłączone.• Oświetlenie jest uszkodzone.	<ul style="list-style-type: none">• Odłączyć i ponownie podłączyć przewód zasilający.• Wymienić żarówkę na nową.
Owoce lub warzywa są mrożone.	<ul style="list-style-type: none">• Żywność została umieszczana w tylnej części urządzenia. W tym miejscu, w pobliżu tylnej ściany, jest najniższa temperatura.• Owoce lub warzywa przechowywane są w strefie Fresh/Chill.	<ul style="list-style-type: none">• Nie umieszczać żywności, która może łatwo zamarznąć, z tyłu komory chłodziarki.• Strefa Fresh/Chill przeznaczona jest wyłącznie dla mięsa/ryb.
Urządzenie jest przechłodzone.	<ul style="list-style-type: none">• Temperatura nie jest ustawiona prawidłowo.	<ul style="list-style-type: none">• Ustawić wyższą temperaturę.
Sprężarka długo pracuje.	<ul style="list-style-type: none">• Wysoka temperatura otoczenia powodująca długi czas pracy.• Jednorazowo włożono bardzo dużą ilość jedzenia.• Jedzenie zostało włożone przed jego ostygnięciem.• Bardzo częste otwieranie drzwi.• Warstwa szronu wewnątrz urządzenia jest bardzo gruba.	<ul style="list-style-type: none">• To normalne.• Nie wkładać jednorazowo zbyt dużej ilości jedzenia.• Poczekać, aż jedzenie ostygnie, przed włożeniem go do urządzenia.• Nie otwierać drzwi zbyt często.• Konieczne jest przeprowadzenie rozmrażania.
Drzwi nie zamykają się prawidłowo.	<ul style="list-style-type: none">• Do drzwi przyklejone jest jedzenie.• W urządzeniu jest bardzo dużo jedzenia.• Zdeformowana uszczelka drzwi.	<ul style="list-style-type: none">• Nie wkładać zbyt dużej ilości jedzenia.• Ustawić urządzenie stabilnie.• Ogrzać uszczelkę drzwi, a następnie ją ostudzić, aby przywrócić jej pierwotny kształt (za pomocą suszarki elektrycznej lub gorącej wody).
Zewnętrzna powierzchnia urządzenia jest gorąca.	<ul style="list-style-type: none">• Gdy urządzenie pracuje, ciepło jest odprowadzane na zewnątrz poprzez metalowe rurki wewnątrz obudowy urządzenia.• Wyższe temperatury otoczenia latem powodują wzrost temperatury powierzchni zewnętrznej.	<ul style="list-style-type: none">• Wyższa temperatura na powierzchni zewnętrznej jest normalna.• Zwiększyć wolną przestrzeń wokół urządzenia, zapewniając lepszą wentylację lub umieścić urządzenie w lepiej wentylowanym i chłodnym miejscu.

Problem	Możliwe przyczyny	Rozwiązanie
Belki poprzeczne lub pionowe są gorące.	<ul style="list-style-type: none"> Wewnątrz belek znajdują się metalowe rurki, a ciepło uwalniane z nich zapobiega kondensacji. 	<ul style="list-style-type: none"> To normalne.
Brzydki zapach.	<ul style="list-style-type: none"> Zepsute jedzenie. Jedzenie o silnym zapachu. Przestrzeń wewnętrzna jest zanieczyszczona. 	<ul style="list-style-type: none"> Oczyścić i usunąć całe zepsute jedzenie. Upewnić się, że żywność o silnym zapachu jest szczelnie zapakowana. Wyczyścić przestrzeń wewnętrzną.
Rzeczywista temperatura różni się od temperatury ustawionej.	<ul style="list-style-type: none"> Po włożeniu ciepłej żywności temperatura chwilowo podnosi się. Po ustawieniu temperatury minie chwila, zanim we wnętrzu urządzenia osiągnie ona ustawioną wartość, w przypadku, gdy drzwi nie są otwarte. Po ustabilizowaniu, rzeczywiste temperatury w różnych miejscach komory wewnętrznej, są różne z odchyleniem około ± 3 °C. 	<ul style="list-style-type: none"> To normalne. Odczekać trochę czasu przed sprawdzeniem rzeczywistej temperatury.
Na zewnętrznej powierzchni tworzy się kondensacja wilgoci.	<ul style="list-style-type: none"> Przy dużej wilgotności w pomieszczeniu może tworzyć się kondensacja wilgoci. 	<ul style="list-style-type: none"> To normalne. Wytrzeć kondensację suchą szmatką.
W komorze chłodniczej i w szufladach tworzy się kondensacja wilgoci.	<ul style="list-style-type: none"> Komora chłodnicza utrzymuje wysoką wilgotność, aby zachować świeżość warzyw i innych produktów spożywczych. W pomieszczeniu panuje bardzo wysoka wilgotność, a drzwi urządzenia są często otwierane. Uszczelka drzwi jest nieszczelna. 	<ul style="list-style-type: none"> Wytrzeć kondensację suchym ręcznikiem. Nie otwierać drzwi za często ani nie pozostawiać ich otwartych przez długi czas. Sprawdzić uszczelkę drzwi, wyczyścić ją lub ułożyć ją prawidłowo.
Oblodzenie wokół otworów wentylacyjnych.	<ul style="list-style-type: none"> Drzwi nie są prawidłowo zamknięte. Uszczelka drzwi jest nieszczelna. 	<ul style="list-style-type: none"> Upewnić się, że jedzenie nie blokuje drzwi. Sprawdzić uszczelkę drzwi, wyczyścić ją lub ułożyć ją prawidłowo.
Drzwi się trudno otwierają.	<ul style="list-style-type: none"> Różnica ciśnień powietrza wewnątrz i na zewnątrz urządzenia może czasami utrudniać otwarcie drzwi komory zamrażarki. 	<ul style="list-style-type: none"> Poczekać chwilę, a następnie spróbować powoli otworzyć drzwi.

Podczas normalnego użytkowania urządzenia słychać pewne dźwięki, które nie wpływają na jego prawidłowe działanie.

Dźwięki, których można łatwo uniknąć:

- > Hałas spowodowany niewypoziomowaniem urządzenia – wypoziomować urządzenie za pomocą regulowanych, obrotowych, przednich nóżek poziomujących. Dodatkowo można umieścić podkładki wykonane z miękkiego materiału pod tylnymi rołkami, zwłaszcza jeśli urządzenie znajduje się na terakocie.
- > Urządzenie dotyka sąsiedniego mebla - przesunąć urządzenie dalej.
- > Skrzypiące szuflady lub półki - wyjąć szufladę lub półkę i włożyć ją z powrotem na swoje miejsce.
- > Dźwięki brzęku butelek – rozdzielić butelki od siebie.

Dźwięki słyszalne podczas normalnego użytkowania urządzenia są spowodowane głównie pracą sprężarki (włączanie) i procesem chłodzenia (rozszerzanie i kurczenie się układu chłodzenia na skutek przepływu czynnika chłodniczego).

CZĘŚĆ 7: ARKUSZ INFORMACYJNY

Arkusz informacyjny

PHILCO 

ROZPORZĄDZENIE DELEGOWANE KOMISJI (UE) 2019/2016 w odniesieniu do etykietowania energetycznego urządzeń chłodniczych

Nazwa lub znak producenta: PHILCO

Adres producenta: PHILCO, U Sanitatu 1621, 25101 Říčany, CZ

Znak identyfikacyjny modelu: PT 173 ENW, PT 173 ENX

Rodzaj sprzętu chłodniczego:

Urządzenie z niskim poziomem hałasu	Nie	Rodzaj urządzenia	wolnostojące
Urządzenie do przechowywania wina	Nie	Inne urządzenia chłodnicze	Tak

Podstawowe specyfikacje

Parametr	Wartość	Parametr	Wartość
Rozmiary w mm	Wysokość	Całkowita objętość (dm ³ lub l)	173
	Szerokość		
	Głębokość		
Wskaźnik efektywności energetycznej (EEI)	99	Klasa efektywności energetycznej*	E
Akustyczny dźwięk emisji hałasu (dB(A) re 1 pW)	41	Klasa emisji hałasu akustycznego	C
Roczne zużycie energii (kWh/rok)	203	Klasa klimatyczna:	rozszerzona umiarkowana, umiarkowana, subtropikalna
Minimalna temperatura otoczenia (°C), dla której odpowiedni jest układ chłodzenia	10	Maksymalna temperatura otoczenia (°C), dla której odpowiedni jest układ chłodzenia	38
Nastawienie urządzenia na zimę	Tak		

Specyfikacja przestrzeni

Rodzaj przestrzeni	Parametry i wartość przestrzeni chłodzącej			
	Objętość urządzenia (dm ³ lub l)	Zalecane ustawienie temperatury dla optymalnego przechowywania żywności (°C)	Zdolność zamrażania (kg/24h)	Rodzaj rozmrażania (automatyczne rozmrażanie = A ręczne rozmrażanie = M)
Spizarnia	Nie	-	-	-
Przechowywanie wina	Nie	-	-	-

Piwnica	Nie	-	-	-	-
Świeża żywność	Tak	126,0	4	-	A
Komora zamrażarki	Nie	-	-	-	-
0 – gwiazdek lub kostka do lodu	Nie	-	-	-	-
1-gwiazdka	Nie	-	-	-	-
2-gwiazdki	Nie	-	-	-	-
3-gwiazdki	Nie	-	-	-	-
4-gwiazdki	Tak	41,6	-18	2,6	M
2-gwiazdkowa przestrzeń	Nie	-	-	-	-
Szuflada ze zmienną temperaturą	Nie	-	-	-	-
4-gwiazdkowa przestrzeń					
Funkcja szybkiego zamrażania			Tak		
Parametry źródła światła:					
Rodzaj źródła światła			LED		
Klasa efektywności energetycznej			E		
Minimalny okres gwarancji oferowany przez producenta: 24 miesiące/miesiący					
Dodatkowe informacje:					
Link do strony internetowej producenta, na której są informacje o których mowa w pkt.4 lit. a) załącznika do rozporządzenia Komisji (UE) 2019/2022, można znaleźć na stronie: www.philco.cz					

* A (najwyższa wydajność) do G (najniższa wydajność)

INFORMACJE TECHNICZNE

Informacje techniczne można znaleźć na tabliczce znamionowej wewnątrz urządzenia oraz na etykiecie energetycznej. Kod QR na dostarczonej etykiecie energetycznej zawiera link do rejestracji urządzenia w unijnej bazie danych Eprei.

INFORMACJE O TESTACH

Dostarczone urządzenie jest zgodne z EcoDesign i EN 62552-1:2020, EN 62552-2:2020, EN 62552-3:2020 EN IEC 60704-1:2021 EN 60704-2-14:2013+A11:2015+A1:2019. Wymagania dotyczące dostępu powietrza do prawidłowego działania urządzenia, minimalna odległość od ściany oraz wymiary urządzenia są częścią niniejszej instrukcji. W przypadku dalszych pytań prosimy o kontakt z producentem.

OBSŁUGA I OBSŁUGA KLIENTA

Zawsze używaj oryginalnych części zamiennych.

Oznakowanie modelu i numer serii znajdziesz na tablicy znamionowej. Pozycję tablicy znamionowej można zmienić bez uprzedniego ostrzeżenia. Oryginalne części zamienne dla niektórych konkretnych komponentów są do dyspozycji min. 7 lub 10 lat. Jest to zależne od typu komponentu oraz od wprowadzenia ostatniego urządzenia danego modelu na rynek.

Kontaktując się z naszym autoryzowanym serwisem, należy mieć dostępne oznaczenie modelu, numer seryjny i opis wady.

Aby pobrać dokumenty, odwiedź www.philco.pl.

Aby zgłosić usterkę i uzyskać dodatkowe informacje serwisowe, odwiedź www.philco.pl/sposoby-zgłaszania-reklamacji-gwarancyjnej.

Zastrzega się możliwość zmian bez powiadomienia.

WSKAZÓWKI O INFORMACJE DOTYCZĄCE LIKWIDACJI ZUŻYTYCH OPAKOWAŃ

Materiały z opakowań zlikwiduj w publicznym punkcie likwidacji odpadów.

LIKWIDACJA ZUŻYTYCH URZĄDZEŃ ELEKTRYCZNYCH I ELEKTRONICZNYCH



Znaczenie symbolu na produkcie, jego akcesoriach lub opakowaniu oznacza, że z tym produktem nie wolno obchodzić się, jak ze zwykłym odpadem komunalnym. Zlikwiduj ten produkt w odpowiednim punkcie zbiórki i recyklingu odpadów z urządzeń elektrycznych i elektronicznych. Ewentualnie w niektórych państwach Unii Europejskiej lub innych państwach europejskich jest możliwy zwrot produktu lokalnemu sprzedawcy, w przypadku zakupu podobnego nowego produktu. Odpowiednia likwidacja tego produktu pomoże oszczędzić cenne źródła naturalne i pomoże w prewencji ewentualnego negatywnego wpływu na środowisko i zdrowie ludzkie, do którego mogłoby dojść w wyniku niewłaściwej likwidacji odpadów. Szczegółowe informacje uzyskasz od lokalnego urzędu lub w najbliższym centrum zbiórki odpadów. Niewłaściwa likwidacja tego typu odpadu może podlegać wewnątrzpaństwowym przepisom o mandatach.

Informacja dla firm w Unii Europejskiej

Jeśli chcesz zlikwidować urządzenie elektryczne lub elektroniczne, poproś o potrzebne informacje swojego sprzedawcę lub dostawcę.

Likwidacja w innych państwach poza Unią Europejską

Jeśli chcesz zlikwidować ten produkt, poproś o niezbędne informacje o odpowiednim sposobie likwidacji w miejscowym urzędzie lub u swojego sprzedawcy.



Ten produkt spełnia wszystkie podstawowe wymagania rozporządzenia UE, które się do niego stosują.

Zmiany w tekście, dizajnie i danych technicznych mogą się pojawić bez uprzedniego ostrzeżenia i zastrzegamy sobie prawo do wykonania tychże zmian.

HŰTŐGÉP - MÉLYHŰTŐ

HASZNÁLATI ÚTMUTATÓ

PHILCO



Famous for Quality the World Over

PC 173 ENW

PC 173 ENX

**Tisztelt vásárlónk,
Köszönjük, hogy PHILCO terméket vásárolt. Kérjük, hogy a készülék helyes használata érdekében olvassa el az egész használati utasítást.**

TARTALOM

1. RÉSZ: BIZTONSÁGI UTASÍTÁSOK.....	2
2. RÉSZ: TELEPÍTÉSI SZABÁLYOK	13
3. RÉSZ: A KÉSZÜLÉK RÉSZEINEK JELLEMZÉSE	20
4. RÉSZ: ÜZEMELTETÉSI UTASÍTÁSOK	21
5. RÉSZ: KARBANTARTÁS ÉS TISZTÍTÁS.....	23
6. RÉSZ: HIBAELHÁRÍTÁS	26
7. RÉSZ: TERMÉKINFORMÁCIÓS ADATLAP	29



A készülék tesztelése az EU vonatkozó, érvényes szabványai szerint zajlott.
A készülék megfelel az Európai Unió elektromos készülékek használatára vonatkozó biztonsági szabványainak.

1. RÉSZ: BIZTONSÁGI UTASÍTÁSOK

1.1 Általános biztonsági figyelmeztetések



SZEMÉLYES BIZTONSÁGA ÉS A KÉSZÜLÉK HELYES HASZNÁLATA MIATT KÉRJÜK, HOGY A KÉSZÜLÉK BESZERELÉSE ÉS ÜZEMBE HELYEZÉSE ELŐTT OLVASSA EL FIGYELMESEN EZT A HASZNÁLATI UTASÍTÁST, A TANÁCSOKAT ÉS A FIGYELMEZTETÉSEKET. A HIBÁK ÉS SÉRÜLÉSEK ELKERÜLÉSE ÉRDEKÉBEN GONDOSKODNI KELL ARRÓL, HOGY A KÉSZÜLÉKET HASZNÁLÓ SZEMÉLYEK TISZTÁBAN LEGYENEK A HASZNÁLAT MÓDJÁVAL ÉS A BIZTONSÁGI FUNKCIÓKKAL. ŐRIZZE MEG AZ ÚTMUTATÓT. A KÉSZÜLÉK ELADÁSA ESETÉN MELLÉKELJE HOZZÁ A HASZNÁLATI UTASÍTÁST IS ÚGY, HOGY ANNAK TELJES ÉLETTARTAMA ALATT KÉZNÉL LEGYEN ÉS BIZTOSÍTANI TUDJA A HELYES ÉS BIZTONSÁGOS HASZNÁLATOT. BIZTONSÁGI ÉS TULAJDONVÉDELMI OKOKBÓL BE KELL TARTANI AZ ÚTMUTATÓ UTASÍTÁSAIT, MERT A GYÁRTÓ NEM VÁLLAL FELELŐSSÉGET AZ UTASÍTÁSOK MELLŐZÉSE MIATT FELLÉPŐ ANYAGI KÁROKÉRT.

- A KÉSZÜLÉKET HASZNÁLHATJÁK 8 ÉVNÉL IDŐSEBB GYERMEKEK ÉS KORLÁTOZOTT FIZIKAI, ÉRZÉKSZERVI ÉS MENTÁLIS KÉPESSÉGŰ, VAGY KELLŐ TAPASZTALATOKKAL NEM RENDELKEZŐ SZEMÉLYEK IS, HA FELÜGYELNEK RÁJUK ÉS TISZTÁBAN VANNAK A KÉSZÜLÉK HELYES ÉS BIZTONSÁGOS HASZNÁLATÁVAL ÉS A FENNÁLLÓ VESZÉLYEKSEL.
- 3 -8 ÉVES KORÚ GYEREKEK A TERMÉKET ÉLELMISZER BEHELYEZÉSÉRE ÉS KIEMELÉSÉRE HASZNÁLHATJÁK.
- A KÉSZÜLÉKKEL NEM JÁTSZHATNAK GYERMEKEK.
- A TISZTÍTÁST ÉS ÁPOLÁST NEM VÉGEZHETIK GYERMEKEK FELÜGYELET NÉLKÜL.

- A SÉRÜLT TÁPKÁBELT A FENNÁLLÓ VESZÉLYEK MIATT CSAK A MÁRKASZERVIZ CSERÉLHETI KI. TILOS HASZNÁLNI A KÉSZÜLÉKET, HA MEGSÉRÜLT A TÁPKÁBEL.

- **FIGYELEM:** HA AZ ÖN MODELLJÉN A JÉGKÉSZÍTŐ NEM CSATLAKOZIK A VÍZVEZETÉKHEZ, AKKOR CSAK IVÓVÍZZEL SZABAD FELTÖLTENI.

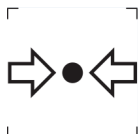
- **VIGYÁZAT:** TARTSA TISZTÁN ÉS AKADÁLYMENTESEN A TERMÉKEN VAGY A BEÉPÍTETT SZEKRÉNYEN LEVŐ SZELLŐZŐNYÍLÁSOKAT.

- **VIGYÁZAT:** NE HASZNÁLJON MECHANIKUS ESZKÖZÖKET A LEOLVASZTÁS MEGGYORSÍTÁSÁHOZ, CSAK HA A GYÁRTÓ JAVASOLJA AZOKAT.

- **VIGYÁZAT:** NEM SZABAD MEGRONGÁLNI A HŰTŐKÖRT.

- **VIGYÁZAT:** A KÉSZÜLÉK BELSŐ TÁROLÓTERÉBEN TILOS AZ ELEKTROMOS ESZKÖZÖK HASZNÁLATA, KIVÉVE, HA A GYÁRTÓ JAVASOLJA AZOKAT.

- **VIGYÁZAT:** NE TÁROLJON EBBEN A KÉSZÜLÉKBEN ROBBANÁSVESZÉLYES ANYAGOKAT, MINT PÉLDÁUL AEROSZOLOK, GYÚLÉKONY HAJÓANYAGÚ PERMETEK.



ISO 7000-1701 (2004-01)

A JELZÉS JELENTÉSE: NYOMÁS ALATT LÉVŐ MÉDIUM.

EZ A KÉSZÜLÉK HÁZTARTÁSOKBAN ÉS HASONLÓ HELYEKEN HASZNÁLHATÓ, MINT PÉLDÁUL:

- KLKALMAZOTTAK KONYHÁJÁBAN BOLTOKBAN, IRODÁKBAN ÉS MÁS MUNKAHELYEKEN;
- FARMOK, HOTELEK, MOTELEK ÉS MÁS SZÁLLÁSHELYEK VENDÉGEI ÁLTAL;
- REGGELIT SZOLGÁLTATÓ SZÁLLÁSHELYEKEN;
- CATERING ÉS MÁS KISKERESKEDELMI JELLEGŰ HASZNÁLAT.

CSAK NÉHÁNY HŰTŐSZEKRENY-MODELL RENDELKEZIK JÉGKÉSZÍTŐVEL IS. A BEÉPÍTETT JÉGKÉSZÍTŐ SZERELÉSÉT CSAK A GYÁRTÓ VAGY A MÁRKASZERVIZ VÉGEZHETI EL.

- VÍZVEZETÉKHEZ CSATLAKOZTATOTT JÉGKÉSZÍTŐVEL RENDELKEZŐ MODELLEK ESETÉBEN: **FIGYELEM:** KIZÁRÓLAG IVÓVÍZHEZ SZABAD BEKÖTNI.
- **FIGYELEM:** A KÉSZÜLÉKET AZ ÚTMUTATÓ SZERINT KELL TELEPÍTENI, A FELBORULÁS VESZÉLYÉNEK ELKERÜLÉSE VÉGETT.
- **FIGYELEM:** A HŰTŐRENDSZERBEN KERINGŐ HŰTŐKÖZEG NAGY NYOMÁS ALATT VAN. NE NYÚLJON A HŰTŐRENDSZERHEZ. A JAVÍTÁSOKAT CSAK SZAKKÉPZETT SZEMÉLYEK VÉGEZHETIK EL.



VIGYÁZAT:
TŰZVESZÉLY/GYŰLÉKONY ANYAGOK!

IZOBUTÁN HŰTŐGÁZT TARTALMAZ

R600A

HŰTŐKÖZEG

A HŰTŐKÖRBE KERINGŐ IZOBUTÁN (R600A) EGY TERMÉSZETES ÉS KÖRNYEZETBARÁT GÁZ, DE ENNEK ELLENÉRE IS GYŰLÉKONY. SZÁLLÍTÁS KÖZBEN ÓVNI KELL A HŰTŐKÖR RÉSZEIT A SÉRÜLÉSEKTŐL. A HŰTŐKÖZEG (R600A) GYŰLÉKONY.

• **VIGYÁZAT** — A HŰTŐSZEKRENYEK HŰTŐKÖZEGET ÉS HŰTŐGÁZOKAT TARTALMAZNAK. A HŰTŐKÖZEGET ÉS A HŰTŐGÁZOKAT SZAKSZERŰEN KELL SELEJTEZNI, MERT SZEMSÉRÜLÉSEKET OKOZHATNAK VAGY MEGGYULLADHATNAK. SELEJTEZÉS ELŐTT ELLENŐRIZZE A HŰTŐVEZETÉK SÉRTETLENSÉGÉT.



A JELZÉS ARRRA FIGYELMEZTET, HOGY A HŰTŐKÖZEG ÉS A SZIGETELŐ GÁZOK GYŰLÉKONYAK.

VIGYÁZAT: TŰZVESZÉLY – GYŰLÉKONY ANYAGOK

A HŰTŐKÖZEG SÉRÜLÉSE ESETÉN:

- KERÜLJE A NYÍLT TÜZET ÉS A TŰZVESZÉLYES HELYEKET.
- ALAPOSAN SZELLŐZTESSE KI A HELYSÉGET, AHOL A KÉSZÜLÉK ÁLL.

A KÉSZÜLÉK BÁRMILYEN VÁLTOZTATÁSA VAGY MÓDOSÍTÁSA VESZÉLYES LEHET.

A TÁPKÁBEL MINDEN SÉRÜLÉSE ZÁRLATOT, TÜZET ÉS/VAGY ÁRAMÜTÉST OKOZHAT.

● **FIGYELEM:** A HŰTŐKÖZEG A HŰTŐRENDSZERBEN NAGY NYOMÁS ALATT VAN. NE NYÚLJON A HŰTŐRENDSZERHEZ. A JAVÍTÁSOKAT CSAK KÉPZETT SZEMÉLYEK VÉGEZHETIK EL.

● **FIGYELEM:** A KÉSZÜLÉK ELHELYEZÉSÉNÉL ÓVNI KELL A TÁPKÁBELT A BECSÍPÓDÉSTŐL ÉS SÉRÜLÉSEKTŐL.

● **FIGYELEM:** NE HELYEZZEN TÖBBRÉSZES HORDOZHATÓ ALJZATOT VAGY MOBIL TÁPFORRÁSOKAT A KÉSZÜLÉK HÁTSÓ RÉSZÉHEZ.



ELEKTROMOS BIZTONSÁG

1. NEM SZABAD MEGHOSSZABBÍTANI A TÁPKÁBELT.
2. ELLENŐRIZZE A CSATLAKOZÓDUGÓ SÉRTETLENSÉGÉT.
A MEGRONGÁLT VAGY SÉRÜLT CSATLAKOZÓDUGÓ FELFORRÓSODHAT ÉS TÜZET OKOZHAT.
3. BIZTOSÍTANI KELL A CSATLAKOZÓDUGÓ JÓ HOZZÁFÉRHETŐSÉGÉT.
4. NE HÚZZA A TÁPKÁBELT.
5. NE CSATLAKOZTASSA A KÁBELT EGY KILAZULT DUGALJHOZ.
FENNÁLL AZ ÁRAMÜTÉS VAGY TŰZKÉPZŐDÉS VESZÉLYE.
6. NE ÜZEMELTESSE A KÉSZÜLÉKET A BELSŐ IZZÓ BURKOLATA NÉLKÜL.
7. A HŰTŐSZEKRENY TÁPELLÁTÁSÁT EGYFÁZISÚ 220~240 V/50 HZ VÁLTAKOZÓ ÁRAM BIZTOSÍTJA. HA A HELYI HÁLÓZAT FESZÜLTSGÉNEK INGADOZÁSA OLYAN MÉRTÉKŰ, HOGY AZ ÉRTÉKEK A TARTOMÁNYOK KÍVÜL ESNEK, BIZTONSÁGI OKOKBÓL AUTOMATIKUS FESZÜLTSG-SZABÁLYOZÓT KELL HASZNÁLNI 350 W-NÁL MAGASABB ÉRTÉKKEL.

A HŰTŐSZEKRENYT MÁS ELEKTROMOS ESZKÖZÖKKEL KÖZÖS ELOSZTÓ ALJZAT HELYETT EGY SPECIÁLIS, ÖNÁLLÓ ÉS FÖLDELT HÁLÓZATI ALJZATHOZ KELL CSATLAKOZTATNI.

MINDENNAPOS HASZNÁLAT

- **NE TÁROLJON GYÚLÉKONY GÁZOKAT ÉS FOLYADÉKOKAT A KÉSZÜLÉKBEN. ROBBANÁSVESZÉLY!**
- **NE HASZNÁLJON MÁS ELEKTROMOS ESZKÖZÖKET (PL. ELEKTROMOS FAGYLALTGÉPET, TURMIXGÉPET STB.) A KÉSZÜLÉKBEN.**
- **A KÉSZÜLÉK LEVÁLASZTÁSÁNÁL MINDIG A CSATLAKOZÓDUGÓT KELL MEGFOGNI. NE HÚZZA MAGÁT A KÁBELT.**
- **NE HELYEZZEN FORRÓ TÁRGYAKAT A KÉSZÜLÉK MŰANYAG RÉSZEINEK KÖZELÉBE.**
- **NE HELYEZZEN SEMMIT A KÉSZÜLÉK SZELLŐZŐNYÍLÁSAI KÖZELÉBE A HÁTLAGON.**
- **A FAGYASZTOTT CSOMAGOLT ÉLELMISZERT A GYÁRTÓ CÉG UTASÍTÁSAI SZERINT KELL TÁROLNI SZIGORÚAN BE KELL TARTANI A GYÁRTÓ TÁROLÁSRA VONATKOZÓ UTASÍTÁSAIT. OLVASSA EL AZ UTASÍTÁSOKAT.**
- **SZIGORÚAN KÖVETÉSE KELL A GYÁRTÓ KÉSZÜLÉKTÁROLÁSI AJÁNLÁSÁT. LÁSD A MEGFELELŐ TÁROLÁSI UTASÍTÁSOKAT.**
- **NE HELYEZZEN SZÉNSAVAS VAGY HABZÓ ITALOKAT A FAGYASZTÓTÉRBE, MERT EZEK NYOMÁST GYAKOROLNAK A TÁROLÓEDÉNYRE, AMELY ÍGY FELROBBANHAT ÉS A KÉSZÜLÉK KÁROSODÁSÁT OKOZHATJA.**
- **NE FOGYASSZON FAGYASZTOTT ÉLELMISZERT KÖZVETLENÜL KIEMELÉS UTÁN, MERT FENNÁLL A SÉRÜLÉSEK VESZÉLYE.**

- NE HELYEZZE NAPSÜTÖTT HELYRE A KÉSZÜLÉKET.
- ÉGŐ GYERTYÁKAT, LÁMPÁKAT ÉS MÁΣ, NYÍLT LÁNGGAL MŰKÖDŐ ESZKÖZÖKET A TŰZKÉPZŐDÉS VESZÉLYE MIATT A KÉSZÜLÉKTŐL BIZTONSÁGOS TÁVOLSÁGBAN KELL HASZNÁLNI.
- A KÉSZÜLÉK ÉTELEK ÉS/VAGY ITALOK TÁROLÁSÁRA SZOLGÁL HÁZTARTÁSOKBAN, AZ ÚTMUTATÓ SZERINT. A KÉSZÜLÉK NEHÉZ. ÁTHELYEZÉSÉNÉL FOKOZOTT ÓVATOSSÁGRA VAN SZÜKSÉG.
- NE EMELJEN KI ÉS NE ÉRINTSEN MEG SEMMIT A FAGYASZTÓTÉR BEN VIZES VAGY NEDVES KÉZZEL. EZ FELSÉRTHETI A BŐRT VAGY FAGYÁSI SÉRŰLÉSEKET OKOZHAT.
- NEM SZABAD A KÉSZÜLÉKBE LÉPNI VAGY AZ ALJZATNÁL, AJTÓNÁL STB. FOGVA MEGEMELNI A KÉSZÜLÉKET.
- A FAGYASZTOTT ÉLELMISZERT KIOLVASZTÁS UTÁN NEM SZABAD ISMÉT LEFAGYASZTANI.
- NE FOGYASSZON JÉGKRÉMET VAGY JÉGKOCKÁKAT KÖZVETLENŰL KIEMELÉSŰK UTÁN A FAGYASZTÓBÓL, MERT FAGYÁSI SÉRŰLÉSEKET OKOZHATNAK AZ AJKAKON VAGY A SZÁJŰREG BEN.
- A BEHELYEZETT TÁRGYAK KIESÉSE, VALAMINT SÉRŰLÉSEK ÉS ANYAGI KÁROK MEGELŐZÉSE MIATT NEM SZABAD TŰLTERHELNI A REKESZÉKET ÉS TŰL SOK ÉTELT HELYEZNI A FIÓKOKBA.

SZERELÉS

FONTOS!

- A CSATLAKOZTATÁSNÁL AZ ELEKTROMOS HÁLÓZATHOZ BE KEL TARTANI AZ ÚTMUTATÓ UTASÍTÁSAIT. CSOMAGOLJA KI ÉS ELLENŐRIZZE A KÉSZÜLEKET SÉRÜLÉSEK SZEMPONTJÁBÓL.
- SÉRÜLT KÉSZÜLEKET NEM SZABAD CSATLAKOZTATNI. ILYEN ESETBEN ÉRTESÍTSE AZ ELADÓT ÉS ŐRIZZE MEG A CSOMAGOLÓANYAGOT.
- CSATLAKOZTATÁS ELŐTT HAGYJA ÁLLNI NÉHÁNY ÓRÁN ÁT A KÉSZÜLEKET, EZ ELŐSEGÍTI AZ OLAJ EGYENLETES ELOSZLÁSÁT A KOMPRESSZORBAN.
- A KÉSZÜLÉK KÖRÜL GONDOSKODNI KELL A JÓ LÉGÁRAMLÁSRÓL, KÜLÖNBEN TÚLMELEGEDHET. TARTSA BE A SZELLŐZÉSRE VONATKOZÓ SZERELÉSI UTASÍTÁSOKAT.
- A KÉSZÜLÉK HÁT LAPJA LEHETŐLEG NE LEGYEN TÚL KÖZEL A FALHOZ, ÉS NE ÉRJEN A FORRÓ RÉSZEKHEZ (KOMPRESSZOR, KONDENZÁTOR), MERT FENNÁLL A TŰZKÉPZŐDÉS VESZÉLYE. TARTSA BE A VONATKOZÓ SZERELÉSI UTASÍTÁSOKAT.
- NE HELYEZZE FŰTŐTESTEK ÉS GÁZTŰZHELYEK KÖZELÉBE A KÉSZÜLEKET.
- SZERELÉS UTÁN GYŐZŐDJÖN MEG ARRÓL, HOGY A CSATLAKOZÓDUGÓ KÖNNYEN HOZZÁFÉRHETŐ.
- TÁROLJA GYERMEKEKTŐL TÁVOL AZ ÖSSZES CSOMAGOLÓANYAGOT, FENNÁLL A FULLADÁS VESZÉLYE.
- A HŰTŐSZEKRENY/FAGYASZTÓ BELSEJE AZ ELSŐ HASZNÁLAT ELŐTT SZAGOT ÁRASZTHAT. EZ NORMÁLIS JELENSÉG. A SZAG ELTŰNIK, AMINT A KÉSZÜLÉK HŰTENI/FAGYASZTANI KEZD.

- A HŰTŐSZEKRENY/FAGYASZTÓ CSATLAKOZTATÁSA ELŐTT GYŐZŐDJÖN MEG ARRÓL, HOGY A HÁLÓZATI FESZÜLTSG MEGFELEL A HŰTŐSZEKRENY/FAGYASZTÓ CSATLAKOZTATÁSÁRA VONATKOZÓ KÖVETELMÉNYEKNEK. KÉTSÉGEK ESETÉN FORDULJON SZAKKÉPZETT VILLANYSZERELŐHÖZ.
- A KÉSZÜLÉKET EGY MEGFELELŐ FESZÜLTSGŰ DUGALJHOZ KELL CSATLAKOZTATNI, SZAKSZERŰEN BESZERELT BIZTOSÍTÉKKAL ELLÁTVA.
- A HŰTŐSZEKRENYT/FAGYASZTÓT TILOS A SZABADBAN ELHELYEZNI VAGY ESŐNEK KITENNI.
- A HŰTŐSZEKRENYT/FAGYASZTÓT LEGALÁBB 50 CM TÁVOLSÁGRA KELL ELHELYEZNI A FŰTŐTESTEKTŐL, FŰTÉSCSÖVEKTŐL, GÁZVEZETÉKEKTŐL STB.
- HA A HŰTŐ-FAGYASZTÓ A FAGYASZTÓ MELLETT VAN ELHELYEZVE, AKKOR LEGALÁBB 2 CM TÁVOLSÁGOT KELL HAGYNI KÖZÖTTÜK.
- NE TEGYEN NEHÉZ TÁRGYAKAT A HŰTŐSZEKRENY/FAGYASZTÓ TETEJÉRE, NE FEDJE LE.
- A HŰTŐSZEKRENY/FAGYASZTÓ FELETT LEGALÁBB 100-150 MM ÜRES TÉRNEK KELL LENNIE.
- EZ A KÉSZÜLÉK HÁZTARTÁSI HASZNÁLATRA KÉSZÜLT, ÉS KIZÁRÓLAG ÉLELMISZER
- HŰTÉSÉRE/FAGYASZTÁSÁRA ALKALMAS. NEM ALKALMAS KERESKEDELMI HASZNÁLATRA VAGY ÉLELMISZEREKTŐL ELTÉRŐ ANYAGOK TÁROLÁSÁRA. A GYÁRTÓ NEM VÁLLAL FELELŐSSÉGET A KÉSZÜLÉK NEM RENDELTETÉSSZERŰ HASZNÁLATÁBÓL EREDŐ KÁROKÉRT.


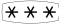
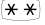

Az EU-szabványhoz

A készüléket használhatják 8 évnél idősebb gyermekek, valamint korlátozott fizikai, szellemi és érzékszervi képességű felnőttek, illetve kellő tapasztalattal nem rendelkező személyek is, amennyiben felügyelet alatt állnak, és tisztában vannak a készülék biztonságos használatának feltételeivel és a fennálló veszélyekkel. A készülékkel nem játszhatnak gyermekek. A tisztítást és ápolást nem végezhetik gyermekek felügyelet nélkül.

Az élelmiszer-szennyeződés megelőzése érdekében kérjük, kövesse a következő utasításokat:

- Az ajtó hosszabb időre történő kinyitása a készülék belső hőmérsékletének jelentős emelkedését okozhatja.
- Rendszeresen tisztítsa meg az élelmiszerrel érintkező felületeket és a hozzáférhető vízelvezető rendszereket.
- Tisztítsa meg a víztartályokat, ha 48 órán keresztül nem használták azokat; öblítse át a vízellátáshoz csatlakoztatott vízhálózatot, ha 5 napon át nem használta a vizet. **(1. megjegyzés) (*)**
- A nyers húst és halat megfelelő tárolóedényekben kell tárolni a hűtőszekrényben, hogy ne érintkezzenek más élelmiszerekkel, illetve ne csöpögjenek rájuk.
- A kétcillagos fagyasztótér fagyasztott élelmiszer, fagyalt és jégkockák tárolásához és készítéséhez alkalmas. **(2. megjegyzés) (*)**
- Az egy-, kettő- és háromcillagos részek nem használhatók friss élelmiszer lefagyasztásához. **(3. megjegyzés) (*)**
- 4 csillagos rekesz nélküli készülékekhez: Ez a készülék nem alkalmas ételek fagyasztására. **(4. megjegyzés) (*)**
- Ha a készülék hosszabb ideig üresen marad, kapcsolja ki, olvassa le, tisztítsa ki és szárítsa meg, és hagyja nyitva az ajtót, ami megakadályozza a penész kialakulását a készülékben.

Megjegyzések - 1,2,3,4: Győződjön meg róla, hogy az adott fagyasztótér típusára alkalmazható-e. (*) : Ez a funkció a megvásárolt modelltől függően változik.

	„4 csillagos” jelzés: fagyasztótér -18°C-on vagy az alatt, és képes bizonyos mennyiségű élelmiszer gyors lefagyasztására
	„3 csillagos” jelzés: fagyasztótér -18 °C-on vagy alacsonyabb hőmérsékleten
	„2 csillagos” jelzés: fagyasztótér z -12 °C-on vagy alacsonyabb hőmérsékleten
	„1 csillagos” jelzés: fagyasztótér -6 °C-os célhőmérséklettel és tárolási feltételekkel

FIGYELEM

Nem ajánlott a termék használata A/GFCI funkciójú aljzatokkal vagy főkapcsolókkal, amely téves kikapcsolást okozhat.

1. Indításnál nem jelent biztonsági kockázatot.
2. Ha a kikapcsolás tartós, ajánlott kicserélni az aljzatokat vagy az A/GFCI funkció nélküli főkapcsolót.

VIGYÁZAT

Gyermekek beszorulásának veszélye. A készülék ártalmatlanítása előtt:

- > Szerelje le a készülék ajtaját.
- > Hagyja a polcokat a helyükön, hogy a gyerekek ne tudjanak könnyen bemászni.

2. RÉSZ: TELEPÍTÉSI SZABÁLYOK

Üzembe helyezés előtt

Távolítsa el a külső és belső csomagolást, a külső felületet gondosan törölje át egy puha, száraz ruhával, a belső felületet pedig egy nedves, kicsavart ruhával.

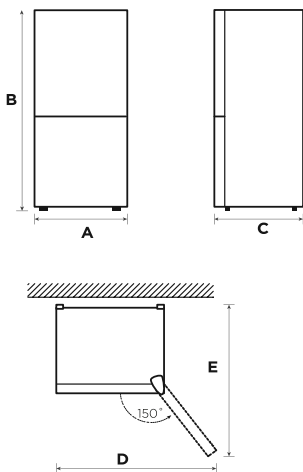
Ne helyezze a készülékszekrényt szűk mélyedésbe vagy hőforrás, közvetlen napfény vagy nedvesség közelébe. Biztosítsa a szabad légáramlást a készülékváz körül.

A telepítésnél ügyeljen arra, hogy a készülék mindkét oldalán 10 cm, a hátuljánál 10 cm, a készülék felett pedig 10 cm teret hagyjon.

A készülék csatlakoztatása előtt az áramforráshoz győződjön meg arról, hogy a készülék címtábláján feltüntetett feszültség megegyezik az otthonában lévő feszültséggel. Más feszültségek károsíthatják a készüléket.

A készüléket földelni kell. A gyártó nem vállal felelősséget a földelés nélküli használatból eredő esetleges károkért.

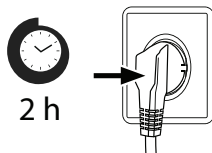
A helyigény ábrázolása



A	B	C	D	E
470	1500	566	965	1093

A készülék csatlakoztatása

Beszereles után hagyja állni 2 óránál hosszabb ideig a terméket a bekapcsolás előtt, különben csökken a hűtési teljesítmény vagy károsodik a termék.



Hagyja a készüléket 24 órán át üresen működni, hogy a belső tér megfelelő hőmérsékletre hűljön.

FIGYELEM

A készüléket mindig külön aljzathoz kell csatlakoztatni, amelynek feszültsége megfelel a típusjelzésnek. A készülék elhelyezésekor ügyeljen arra, hogy a tápkábel ne legyen beszorulva vagy megsérülve.

Környezeti hőmérséklet

A klímaosztálytól függően ezt a készüléket az alábbi táblázatban megadott környezeti hőmérsékleten történő használatra tervezték.

Előfordulhat, hogy a termék az adott tartományon kívüli hőmérsékleten nem működik megfelelően.

A klímaosztály a termék címkéjén található.

Klímaosztály	Környezeti hőmérséklet
SN	+10 °C to +32 °C
N	+16 °C to +32 °C
ST	+16 °C to +38 °C
T	+16 °C to +43 °C

Ha kétségei vannak a beszereléssel kapcsolatban, kérjük, forduljon az eladóhoz, az ügyfélszolgálatunkhoz vagy a legközelebbi hivatalos szervizközponthoz.

FIGYELEM

A készülék hűtési teljesítményét és energiafogyasztását befolyásolhatja a környezeti hőmérséklet, az ajtónyitás gyakorisága és a készülék elhelyezése. Szükség szerint módosítani lehet a hőmérséklet-beállításokat.

Az ajtónyitás irányának megváltoztatása (opcionális)

A zsanérkészletben található alkatrészek:



Baloldali ütköző (2)



Alátét

Az ajtóra már felszerelt alkatrészek (a mellékeltek szerint):



Jobboldali ütköző



Jobboldali ütköző csavarja



Nyílásfedél (2)



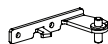
Felső zsanérfedél



Felső zsanér csavarok



Felső zsanér



Középső zsanér



Középső zsanér csavarok



Alsó zsanér



Szintező láb

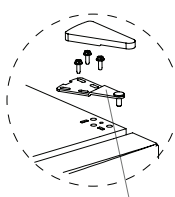
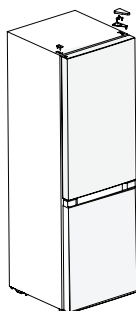
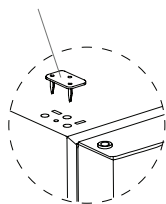


Nyílásfedél

Lépések:

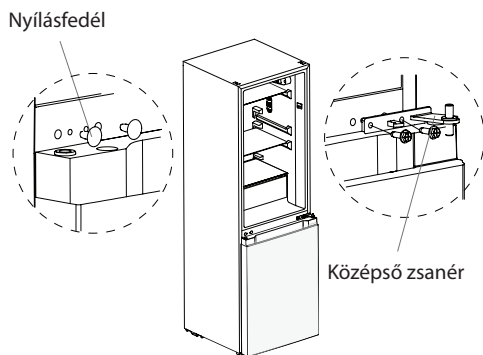
1. Kapcsolja ki a készüléket, és vegye ki az összes tárgyat az ajtórekeszből.
2. Vegye le a felső zsanér fedelét, majd távolítsa el a felső zsanér csavarjait, a felső zsanért és a másik oldalon rögzített nyílásfedelét.

Nyílásfedél



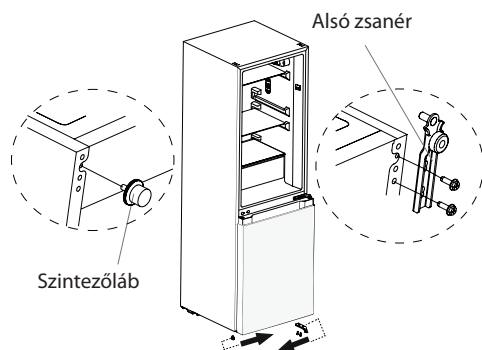
Felső zsanér

3. Szerelje le a hűtőszekrény ajtaját, a középső zsanért és a nyílásfedeleket.



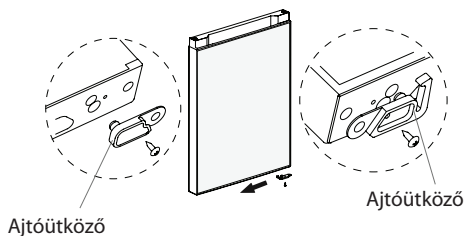
4. Szerelje le a fagyasztó ajtaját, távolítsa el az alsó zsanért és a másik oldalon lévő szintezőlábát.

5. Cserélje fel a szintezőláb és az alsó zsanér rögzített helyzetét, majd rögzítse őket újra.

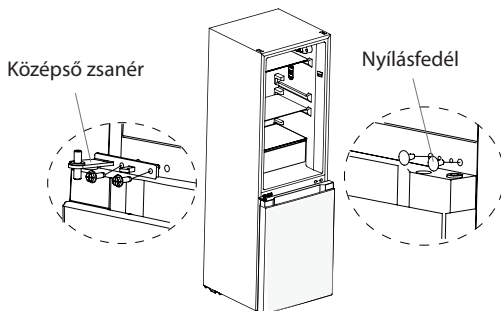


6. Távolítsa el a hűtőtér ajtajának és a fagyasztótér ajtajának alsó burkolatához rögzített csavarokat és ütközőket.

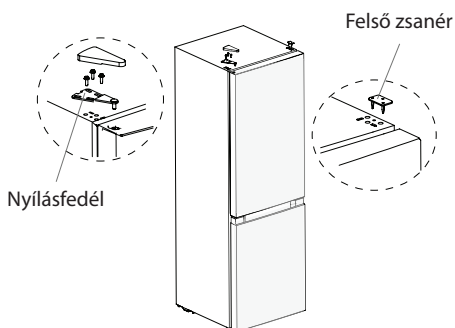
7. Vegye ki az ütközőt a mellékelt műanyag zacskóból, rögzítse az ütközőt a hűtőtér ajtajának és a fagyasztótér ajtajának alsó burkolatának másik oldalán lévő csavarokkal.



8. Helyezze fel a fagyasztótér ajtaját felülről lefelé, vegye ki az alátétet a mellékelt műanyag zacskóból, és illessze azt a fagyasztótér ajtajának másik oldalán lévő tengelynyílásra.
9. Rögzítse a középső zsanért csavarokkal és szerelje fel a 2 nyílásfedelet.



10. Illessze a hűtőtér ajtaját a középső zsanérra, szerelje fel a felső zsanért a másik oldalra, rögzítse a zsanérfedelelet a felső zsanérra, és rögzítse a nyílásfedelelet az alábbi képeken látható módon.



FIGYELEM

Eltérések: A technikai változások és a különböző modellek miatt a jelen kézikönyv egyes képei eltérhetnek az Ön modelljétől.

Szintezőlábak

A rezgések elkerülése érdekében a készüléknek vízszintesnek kell állnia.

Szükség esetén állítsa be a szintezőlábakat az egyenetlen padlók kiegyenlítésére.

A készülék elejének kissé magasabbnak kell lennie, mint a hátuljának, hogy a készülék ajtaját könnyebb legyen bezárni.

A szintezőlábak könnyen elforgathatók a készülékház enyhe megdöntésével.

A készülék felemeléséhez fordítsa el a szintezőlábakat  az óramutató járásával szemben, a leengedéshez az óramutató  járásának irányában.

Izzócsere

A LED izzók cseréjét vagy karbantartását a gyártónak, a márkaszerviznek vagy hasonlóan képzett személynek kell elvégeznie.

Ez a termék G energiahatékonysági osztályú fényforrást tartalmaz.

A tápkábel (vagy a dugó) csatlakoztatása után az elektromos aljzathoz várjon 2-3 órát az élelmiszer behelyezésével a készülékbe. Ha a készülék teljes lehűlése előtt helyezi be az élelmiszert, az megromolhat.

A készülék áthelyezés

1. Ürítse ki teljesen a készüléket.
2. Húzza ki a hálózati dugót, dugja be és rögzítse a készülék hátulján vagy tetején lévő kampóhoz a hálózati dugó számára.
3. Ragassza le az mozgó alkatrészeket, mint a polcok és ajtók, hogy megakadályozza azok leesését a készülék mozgatásakor.
4. A készüléket kettőnél több emberrel óvatosan mozgassa. Hosszabb távú szállítás esetén tartsa a készüléket függőleges helyzetben.

Energiatakarékossági tippek

Ne helyezze a készüléket tűzhely, radiátor vagy más hőforrás közelébe. Ha a környezeti hőmérséklet magas, a kompresszor gyakrabban és hosszabb ideig fog működni, ami megnövekedett energiafogyasztást eredményez.

Gondoskodjon megfelelő szellőzésről a készülék alján, a készülék oldalain és a készülék hátulján.

Kérjük, vegye figyelembe a "Telepítés" fejezetben megadott távolsági méreteket is.

A fiókok, polcok és állványok elrendezése a termékáttekintés szerint a leghatékonyabb energiafelhasználást biztosítja, és ezt a lehető legnagyobb mértékben meg kell tartani.

Nagyobb tárolóhely kialakításához (pl. nagyméretű hűtött/fagyasztott áruhoz) a középső fiókok és polcok kiemelhetők. A felső és alsó fiókokat és polcokat szükség esetén utójára kell eltávolítani.

Az egyenletesen töltött hűtő/fagyasztó rekesz hozzájárul az optimális energiafelhasználáshoz.

Hagyja kihűlni a forró ételt, mielőtt a hűtőszekrénybe/fagyasztórekeszbe helyezi. A már lehűlt ételek növelik az energiahatékonyságot.

Hagyja a fagyasztott élelmiszereket felolvadni a hűtőtérben. A fagyasztott élelmiszerek lehűtése csökkenti a hűtőtér energiafogyasztását, és így növeli az energiahatékonyságot.

A hőmérséklet-emelkedés minimalizálása érdekében csak a szükséges ideig nyissa ki az ajtót. Az ajtó rövid időre történő kinyitása és megfelelő becsukása csökkenti az energiafogyasztást.

A hőmérsékletnek a szükségesnél nem alacsonyabbra történő beállítása hozzájárul az optimális energiafelhasználáshoz.

A készülék ajtóötmitésének tökéletesen épek kell lennie, hogy az ajtó megfelelően záródjon, és ne növelje szükségtelenül az energiafogyasztást.

Ha nem üzemel a készülék

Elektromos áramkiesés:

Áramszünet esetén, még nyáron is, az ételek több órán keresztül a készülékben maradhatnak; áramszünet idején az ajtó nyitási idejét csökkenteni kell, és a készülékbe nem lehet friss élelmiszert betenni.

Hosszantartó szünetelés:

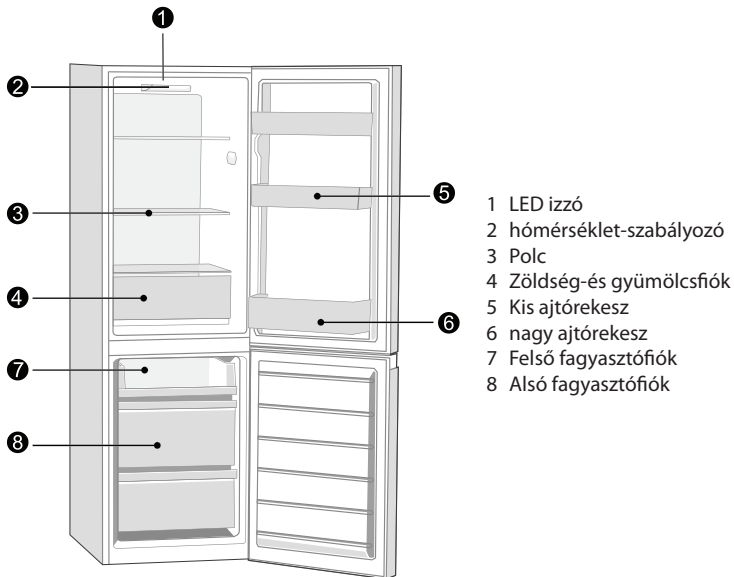
A készüléket ki kell húzni a hálózathoz, majd meg kell tisztítani; ezt követően az ajtót nyitva kell hagyni a szagok elkerülése miatt.

Áthelyezés:

A készülék mozgatása előtt távolítsa el minden tárgyat a belső térből, rögzítse az üvegpolcokat, a zöldségtartó fiókot, a fagyasztófiókokat stb. ragasztószalaggal, és húzza meg a szintező lábakat; zárja be az ajtót, és rögzítse ragasztószalaggal. Az áthelyezés során a készüléket nem szabad fejjel lefelé vagy vízszintesen elhelyezni, vagy rázkódásnak kiténni; a mozgás alatt a dőlési szög nem lehet nagyobb 45° foknál.

3. RÉSZ: A KÉSZÜLÉK RÉSZEINEK JELLEMZÉSE

Standard típus



- > A leghatékonyabb energiafelhasználáshoz minden belső tartozékot, például a rekeszeket, fiókokat, polcokat és jégkockatartót a gyártó által megadott helyzetben kell hagyni.
- > Ezt a hűtőkészüléket önállóan kell beszerezni, és nem használható beépített készülékként. Ellenkező esetben csökkenhet a teljesítmény és a készülék élettartama, és a gyártó nem nyújt alapvető garanciát a készülékre.

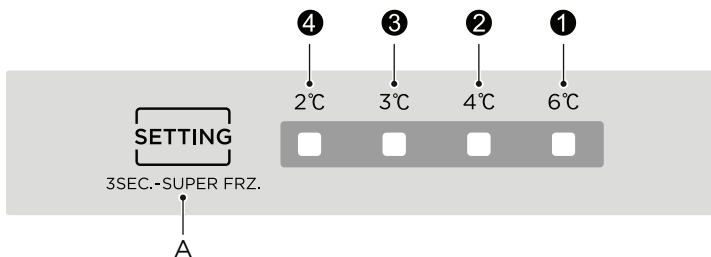
FIGYELEM

Eltérések: A technikai változások és a különböző modellek miatt a jelen kézikönyv egyes képei eltérhetnek az Ön modelljétől.

4. RÉSZ: ÜZEMELTETÉSI UTASÍTÁSOK

A készülék használata és funkciói

Funkciók



Kijelző

1. LED jelző 1 : 6 °C
2. LED jelző 2 : 4°C
3. LED jelző 3 : 3°C
4. LED jelző 4 : 2°C

Vezérlőgomb

A szabályozógomb (A hűtőtér hőmérsékletének szabályozására)

Megjelenítés

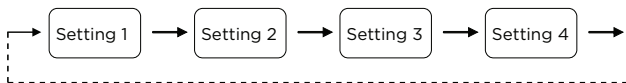
- > A készülék első bekapcsolásakor a kijelző 3 másodpercre megjelenik, majd a készülék a 2. beállítás szerint működik (4 °C).
- > Hiba esetén a megfelelő LED jelző villog.
- > Normál működés esetén a hűtőtér aktuális hőmérsékleti beállítását mutatja.

Hibakód	A hiba jellemzése
LED jelző 1	Környezeti hőmérséklet-érzékelő
LED jelző 2	Fagyasztótér leolvasztás-érzékelő
LED jelző 3	Hűtőtér leolvasztás-érzékelő
LED jelző 4	Hűtőtér hőmérséklet-érzékelő áramköre

Hőmérséklet beállítása

Az „A” hőmérséklet-beállító gomb minden egyes megnyomásakor a hőmérséklet-beállítás egyszer módosul. Ha a hőmérséklet beállítása befejeződött, a készülék 30 másodperc múlva a beállított értéknek megfelelően működik.

A beállítási eljárás a következő:



Gyorsfagyasztás mód

Tartsa lenyomva a hőmérséklet-beállító gombot 3 másodpercig, a ② LED-jelző és a ③ LED-jelző 30 másodpercig világít, majd a készülék gyorsfagyasztás módba lép.

A gyorsfagyasztás mód kikapcsolásához nyomja meg hosszan, 3 másodpercig a hőmérséklet-beállító gombot.

Ajánlott beállítás:

Hűtőtér 4 °C.

FIGYELEM

A gyorsfagyasztás funkciót úgy tervezték, hogy megőrizze a fagyasztórekeszben tárolt élelmiszer tápértékét. A lehető legrövidebb idő alatt képes lefagyasztani az élelmiszert. Egyszerre nagy mennyiségű élelmiszer lefagyasztása esetén javasoljuk, hogy a felhasználó kapcsolja be a gyorsfagyasztás funkciót, és tegye be az ételt. A fagyasztótérben megnő a fagyasztási sebesség, ami gyorsan lefagyasztja az ételt, hatékonyan megőrzi az élelmiszer tápértékét és megkönnyíti a tárolást.

Élelmiszer tárolása

Fagyasztótér

A fagyasztótér az ételek alacsony hőmérsékletű fagyasztására, fagyasztott ételek hosszú távú tárolására és jégkockák készítésére szolgál.

Figyeljen a fagyasztórekeszben található csillagokra (4 csillag, 2 csillag és 1 csillag) és a fagyasztott élelmiszer tárolási idejére.

Ne tegyen egymás mellé friss és fagyasztott élelmiszert. A fagyasztott élelmiszer felolvadhat.

Ha nagy mennyiségű friss élelmiszert (például húst, halat vagy apróra vágott húst) fagyaszt le, akkor azokat ossza fel behelyezés előtt több kis darabra, hogy gyorsan lefagyaszthatóak és könnyen kivethetők legyenek.

Tartsa be az élelmiszer-gyártók által ajánlott tárolási időt a csomagolás szerint, és ha nincs információ a csomagoláson, az élelmiszert a vásárlástól számított három hónapnál tovább ne tárolja lefagyasztva.

Fagyasztott élelmiszer esetén győződjön meg arról, hogy azt megfelelő hőmérsékleten fagyasztották le, és a csomagolás ép.

A fagyasztott élelmiszert megfelelő egyedi tárolóedényekben kell tárolni, hogy a szomszédos élelmiszerek ne szennyeződjenek. A felolvasztott élelmiszert azonnal el kell fogyasztani, nem szabad újra lefagyasztani.

Hosszabb áramkimaradás vagy a készülék meghibásodása esetén vegye ki a tárolt fagyasztott élelmiszert, és ellenőrizze, hogy az még ehető-e, majd tárolja megfelelően hűvös helyen vagy egy másik készülékben.

Kiolvasztáshoz vegye ki az ételt a fagyasztórekeszből, és hagyja kiolvadni szobahőmérsékleten vagy a hűtőben.

Az élelmiszer gyors kiolvasztásához használhatja például a mikrohullámú sütő kiolvasztási funkcióját.

Ha csak a csomag egy részét szeretné kiolvasztani, vegye ki a szükséges részt, és azonnal zárja le a csomag többi részét. Így elkerülhető a "fagyási sérülés" és a megmaradt élelmiszereken kevésbé képződik fagy.

Hűtőtér

A páratartalom és a későbbi fagyképződés csökkentése érdekében soha ne tegyen folyadékokat lezáratlan tartályokban a hűtőtérbe.

A fagy hajlamos a párologtató leghidegebb részein koncentrálni. A lezáratlan folyadékok tárolása azt eredményezi, hogy gyakrabban kell leolvasztást végezni.

Soha ne tegyen forró ételt a hűtőtérbe. Ezeket először szobahőmérsékleten kell lehűteni, majd úgy kell elhelyezni, hogy a hűtőtérben biztosítva legyen a levegő keringése.

Az élelmiszerek vagy az élelmiszer-tartályok nem érhetnek a hűtőtér hátsó falához, mert odafagyhatnak a falhoz. Ne nyissa ki rendszeresen a hűtőszekrény ajtaját.

A hús és megtisztított hal (csomagolásban vagy műanyag fóliába csomagolva) a hűtőszekrényben 1-2 napig tárolható.

A csomagolatlan gyümölcs és zöldség a friss gyümölcs- és zöldségfiókban tárolható.

FIGYELEM

Túl nagy mennyiségű élelmiszer behelyezése működés közben, az áramellátáshoz való első csatlakoztatás után kedvezőtlenül befolyásolhatja a készülék fagyasztási hatékonyságát.

Tárolási idők és hőmérsékletek

Megjegyzés: A hosszú távú tárolás vagy a nem megfelelő fagyasztási hőmérsékleten történő tárolás az élelmiszer minőségének csökkenéséhez vagy romlásához vezethet, ami elpazarolt, ehetetlen és ételmérgezést okozó élelmiszereket eredményezhet. A minimális hőmérsékletnek a legtöbb esetben -18 °C-nak vagy annál alacsonyabbnak kell lennie.

Tartsa be az alábbiakban felsorolt maximális tárolási időket:

- > Pörkölt, fagylalt, kolbász, kenyér: 2-6 hónapig.
- > Hal, garnélarák, bárány, hús: 4-8 hónapig.
- > Zöldség gyümölcs, baromfi, marhahús: 6-12 hónapig.

5. RÉSZ: KARBANTARTÁS ÉS TISZTÍTÁS

FIGYELEM

A szokásos karbantartási munkálatok elvégzése előtt válassza le a készüléket a hálózatról. Várjon legalább 5 percet a készülék újraindítása előtt, mivel a gyakori indítás károsíthatja a kompresszort.

A leolvasztási folyamat felgyorsításához ne használjon a gyártó által javasoltaktól eltérő mechanikus eszközöket vagy módszereket.

Ne próbálja meg saját maga megjavítani, szétszerelni vagy módosítani a készüléket. Javítás esetén forduljon szervizközpontunkhoz.

Évente legalább egyszer távolítsa el a készülék hátuljáról a port a tűzveszély és a megnövekedett energiafogyasztás megelőzéséhez.

Rendszeresen ellenőrizze az ajtó tömítést, hogy nincs-e benne szennyeződés. Tisztítsa meg az ajtó tömítést szappanos vízzel vagy hígított mosószerelemmel megnedvesített puha ruhával.

A készülék belsejét rendszeresen tisztítani kell a szagok elkerülése érdekében.

Egy puha ruhával vagy szivaccsal, két evőkanál szódobikarbónával és egy liter meleg vízzel tisztítsa meg a termék belsejét.

Ezután öblítse le vízzel és törölje szárazra.

Tisztítás után nyissa ki az ajtót, és hagyja természetes módon megszáradni, mielőtt bekapcsolja a készüléket. A hűtőszekrény nehezen tisztítható részeit (mint a rések, sarkok) ajánlatos rendszeresen megtisztítani egy puha szövettel, puha kefével stb. Szükség esetén más eszközök (pl. vékony pálcikák) használata is megengedett a tisztításhoz annak érdekében, hogy a kérdéses részeken ne halmozódjanak fel a szennyeződések vagy baktériumok.

Törölje át a hűtőszekrény külső felületét meleg szappanos vagy mosogatóvízbe mártott puha szövettel, majd törölje szárazra.

Ne használjon kemény kefét, drótkefét, csiszoló szereket (p. fogkrémet), szerves higítókat (pl. alkohol, aceton, banánolaj stb.), forrásban levő vizet, savas vagy lúgos szereket, amelyek megrongálhatják a hűtőszekrény felületét vagy a belső teret.

A forrásban levő víz és a szerves higítószer, pl. benzol hatására a készülék műanyag részei eltorzulhatnak vagy megsérülhetnek.



A tisztítás során ne öblítse le a készülék alkatrészeit közvetlenül vízzel vagy más folyadékkal a rövidzárlat elkerüléséhez, és hogy a folyadék ne befolyásolja az elektromos szigetelést.

Leolvasztás

A fagyasztótér belső falán fagyréteg keletkezhet, ha a fagyasztó ajtaját gyakran vagy nagyon hosszú időre kinyitják. Ha a fagy nagyon vastag, válasszon egy olyan időpontot, amikor az élelmiszerkészletek alacsonyak, és tegye a következőket:

1. Vegye ki a meglévő élelmiszer- és tartozéktárolókat, húzza ki a készüléket a hálózatból, és hagyja nyitva az ajtót. A leolvasztási folyamat felgyorsítása érdekében alaposan szellőztesse át a helyiséget.
2. Ha a leolvasztás befejeződött, tisztítsa meg a fagyasztóteret a fent leírtak szerint.

FIGYELEM!

Ne használjon éles tárgyakat a jég réteg eltávolítására a fagyasztóban. Csak a belső tér teljes kiszáradása után szabad a készüléket újra bekapcsolni és csatlakoztatni.

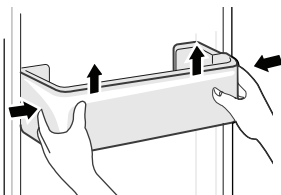
VIGYÁZAT

Az indítás után a készüléknek folyamatos üzemben kell lennie. A készülék működését nem ajánlott megszakítani, különben az élettartam csökkenhet.

Az ajtórekeszek tisztítása

A lenti képen látható irányjelző nyíl szerint mindkét kezével szorítsa meg a rekeszt és tolja felfelé a kiemeléshez.

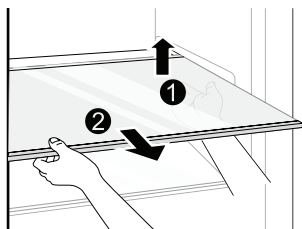
A rekesz eltávolítása után a szerelési magasság az igényei szerint beállítható.



Az üvegpolc tisztítása

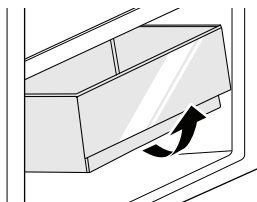
Mivel a hűtő legfelső részén, ahol a polcokkal érintkezik, van egy hátsó ütköző, emelje felfelé a polcokat, így ki lehet emelni azokat.

Állítsa be vagy tisztítsa meg a polcokat igényei szerint.



A zöldség- és gyümölcsfiók tisztítása

Űrítse ki a fiókot. Fogja meg a zöldség- és gyümölcsfiók fogantyúját, és húzza ki teljesen, amíg meg nem áll. Emelje meg és húzza ki a zöldség- és gyümölcsfiókot.



FIGYELEM

Eltérések: A technikai változások és a különböző modellek miatt a jelen kézikönyv egyes képei eltérhetnek az Ön modelljétől.

6. RÉSZ: HIBAELEHÁRÍTÁS

A következő egyszerű problémákat a felhasználó is megoldhatja. Ha a problémák nem oldódnak meg, hívja a szervizt.

Probléma	Lehetséges ok	Megoldás
A készülék nem működik.	<ul style="list-style-type: none">A tápegység nincs bekapcsolva, és a dugó nincs szilárdan behelyezve.Alacsony feszültség, áramkiesés vagy az áramkör része kikapcsolt.	<ul style="list-style-type: none">Dugja be szilárdan a csatlakozódugót.Ellenőrizze az áramellátást.
A lámpa nem világít.	<ul style="list-style-type: none">Nincs bekapcsolva a készülék.Megsérült az izzó.	<ul style="list-style-type: none">Húzza ki és csatlakoztassa újra a kábelt.Cserélje ki az izzót.
Megfagyott a gyümölcs vagy zöldség.	<ul style="list-style-type: none">Az étel a készülék hátsó részében van? A hátsó falnál a leghidegebb a hőmérséklet.A gyümölcsöt és zöldséget a Fresh/Chill zónában tárolja.	<ul style="list-style-type: none">Ne tároljon olyan ételt a hűtőtér hátsó részében, amely könnyen megfagyhat.A Fresh/Chill zóna csak hús/hal tárolására szolgál.
Túl hideg a készülék.	<ul style="list-style-type: none">Rosszul beállított hőmérséklet.	<ul style="list-style-type: none">Állítsa magasabbra a hőmérsékletet.
A kompresszor folyamatosan működik.	<ul style="list-style-type: none">Hosszú üzemidőt okozó magas környezeti hőmérséklet.Túl sok étel behelyezése egyszerre.Melegen behelyezett étel.Túl gyakori ajtónyitás.Vastag jégképződött a belső térben.	<ul style="list-style-type: none">Normál jelenség.Ne tegyen be túl sok ételt.Várjon a behelyezéssel, amíg az étel kihűlt.Ne nyissa ki túl gyakran az ajtót.Le kell olvasztani a készüléket.
Rosszul záródik az ajtó.	<ul style="list-style-type: none">Tárgyak ragadtak az ajtóra.Túl sok étel a készülékben.Deformálódott az ajtótomítás.	<ul style="list-style-type: none">Ne tegyen be túl sok ételt.Állítsa be szilárdan a készüléket.Melegítse fel az ajtótomítást, majd hűtse le, hogy visszanyerje alakját (hajszárártóval vagy forró vízzel).
Forró a készülék külső felülete.	<ul style="list-style-type: none">Amikor a készülék üzemel, a hő a készülék házában lévő fémcsőveken keresztül távozik kifelé.A magas környezeti hőmérséklet nyáron a külső felület melegedését okozza.	<ul style="list-style-type: none">A külső felület magasabb hőmérséklete normális.Növelje a hőelvezetési teret, vagy helyezze a készüléket szellős és hűvös helyre.
A kereszt- vagy függőleges tartók forróak.	<ul style="list-style-type: none">A tartókban fémcsővek vannak, és a csövek által kibocsátott hő megakadályozza a kondenzációt.	<ul style="list-style-type: none">Normális jelenség.

Probléma	Lehetséges ok	Megoldás
Kellemetlen szag.	<ul style="list-style-type: none"> • Romlott étel. • Aromatikus étel. • Piszkos a belső tér. 	<ul style="list-style-type: none"> • Tisztítsa meg és dobja ki a romlott ételt. • Csomagolja be légmentesen az aromatikus ételt. • Tisztítsa ki a belső teret.
A tényleges hőmérséklet eltér a beállított hőmérséklettől.	<ul style="list-style-type: none"> • Meleg étel behelyezése után a hőmérséklet ideiglenesen megemelkedik. • Az új hőmérséklet beállítása után eltart egy ideig, amíg a belső tér eléri a beállított hőmérsékletet, ha az ajtó nincs kinyitva. • A hőmérséklet-beállítás után a belső tér különböző pontjain a tényleges hőmérsékletek eltérőek, körülbelül $\pm 3^{\circ}\text{C}$-os eltéréssel. 	<ul style="list-style-type: none"> • Normális jelenség. • Várjon egy ideig a tényleges hőmérsékletet tesztelése előtt.
Kondenzáció a külső felületen.	<ul style="list-style-type: none"> • Kondenzáció képződhet, ha a helyiség páratartalma magas. 	<ul style="list-style-type: none"> • Normális jelenség. Törölje le száraz ronggyal a vizet.
Kondenzáció a hűtőtér és a fiókok belsejében.	<ul style="list-style-type: none"> • A hűtőtér magas páratartalmat biztosít a zöldség és más élelmiszer frissességének megőrzéséhez. • A szoba páratartalma nagyon magas, és az ajtó gyakran nyitva van. • Az ajtó tömítése nem szigetel. 	<ul style="list-style-type: none"> • Törölje le száraz ronggyal a vizet. • Ne nyissa ki túl gyakran az ajtót, és ne hagyja nyitva túl sokáig. • Ellenőrizze az ajtó tömítést, tisztítsa ki vagy igazítsa meg.
Fagyás a szellőzőnyílások körül.	<ul style="list-style-type: none"> • Nincs jól becsukva az ajtó. • Az ajtó tömítése nem szigetel. 	<ul style="list-style-type: none"> • Ellenőrizze, nem akadályozza-e valami az ajtó becsukását. • Ellenőrizze az ajtó tömítést, tisztítsa ki vagy igazítsa meg.
Nehezen nyíló ajtó.	<ul style="list-style-type: none"> • A készülék belseje és külseje közötti légnyomáskülönbség néha megnehezítheti a fagyasztó ajtajának kinyitását. 	<ul style="list-style-type: none"> • Várjon egy kicsit, majd próbálja meg lassan kinyitni az ajtót.

A készülék normál használata során bizonyos zajok hallhatók, amelyek nem befolyásolják a készülék megfelelő működését.

Könnyen elkerülhető hangok:

- > Az egyenetlenül elhelyezett készülék okozta zaj - állítsa be a pozíciót az állítható elülső szintezőlábakkal. Alternatívaként helyezzen puha anyagból készült alátétet a hátsó görgők alá, különösen akkor, ha a készülék csempén áll.
- > A készülék hozzáér egy szomszédos bútordarabhoz - vigye arrébb a készüléket.
- > Nyikorgó fiókok vagy polcok - vegye ki a fiókot vagy polcot, és tegye vissza a helyére.
- > Egymáshoz koccanó palackok – tegye messzebb egymástól a palackokat.

A normál használat során hallható hangokat elsősorban a kompresszor működése (bekapcsolás) és a hűtőrendszer (a hűtőközeg áramlása által okozott hőtágulás és összehúzódás) okozza).

7. RÉSZ: TERMÉKINFORMÁCIÓS ADATLAP

Termékinformációs adatlap

PHILCO 

A BIZOTTSÁG (EU) 2019/2016 FELHATALMAZÁSON ALAPULÓ RENDELETE a hűtőkészülékek energiacímkezéséről

A gyártó neve vagy védjegye: PHILCO

A gyártó székhelye: PHILCO, U Sanitasu 1621, 25101 Říčany, CZ

Modellszám: PT 173 ENW, PT 173 ENX

Hűtőberendezés-típus:

Alacsony zajszintű készülék:	Nem	Készülék típusa:	szabadon álló
Bortároló készülék:	Nem	Más hűtőkészülékek	Igen

Más hűtőkészülékek:

Paraméter	Érték	Paraméter	Érték
Méretek mm	Magasság	Teljes térfogat (dm ³ vagy l)	173
	Szélesség		
	Mélység		
Energihatékonysági index (EEL)	99	Energihatékonysági osztály *	E
Zajkibocsátás akusztikus hang (dB(A) re 1 pW)	41	Akusztikus zajkibocsátás osztálya	C
Éves energiafogyasztás (kWh/év)	203	Klimatikus osztály:	bővített mérsékelt, mérsékelt, szubtrópusi
Minimális környező hőmérséklet (°C), melynél használható a hűtőberendezés	10	Maximális környező hőmérséklet (°C), melynél használható a hűtőberendezés	38
Készülék beállítása télre	Igen		

A tér paramétereit:

Tér típusa	A hűtőtér paramétereit és értékeit				Leolvasztás típusa: (önleolvasztó = A, kézi leolvasztás = M)
	Készülék térfogata (dm ³ vagy l)	Javasolt hőmérsékletbeállítások optimalizált élelmiszer-tároláshoz (°C)	Fagyasztó-térfogat (kg/24h)		
Kamra/spájz	Nem	-	-	-	-
Bortárolás	Nem	-	-	-	-
Pincehelyiség	Nem	-	-	-	-

Friss élelmiszer	Igen	120,0	4	-	A
Fagyasztótér	Nem	-	-	-	-
0-csillag vagy jégkészítő	Nem	-	-	-	-
1-csillag	Nem	-	-	-	-
2- csillag	Nem	-	-	-	-
3- csillag	Nem	-	-	-	-
4- csillag	Igen	53,0	-18	3,0	A
2- csillagos tér	Nem	-	-	-	-
Fiók váltakozó hőmérséklettel	Nem	-	-	-	-
4-csillagos tér					
Gyorsfagyasztó funkció			Igen		
Fényforrás paraméterei:					
Fényforrás típusa			LED		
Energiahatékonysági osztály			G		
A gyártó által biztosított minimális garancia: 24 hónap					
Kiegészítő információk:					
Weblink a gyártó weboldalára a 4. pontban ismertetett információkkal (és) a Komisszió (EU) 2019/2022 rendeletének mellékletével, forrás: www.philco.cz					

MŰSZAKI INFORMÁCIÓK

A műszaki információka készülék belsejében található típustáblán és az energiacímkén található. A mellékelt energiacímkén található QR-kód tartalmaz egy linket a készülék regisztrálására az EU Eprei adatbázisában. Őrizze meg az energiacímkét, a használati utasítást, valamint a készülékhez kapott egyéb dokumentumokat.

VIZSGÁLATI INFORMÁCIÓK

A leszállított készülék megfelel az EcoDesign és az EN 62552-1:2020, EN 62552-2:2020, EN 62552-3:2020 EN IEC 60704-1:2021 EN 60704-2-14:2013+A11:2015+A1:2019. A készülék helyes működéséhez, a faltól való minimális távolsághoz és a készülék méretéhez szükséges légi hozzáférési követelmények a kézikönyv részét képezik. További kérdéseivel forduljon a gyártóhoz.

ÜGYFÉLKÖRNYEZET ÉS SZOLGÁLTATÁS

Mindig eredeti pótalkatrészeket használjon.

A modellnév és a sorozatszám a típuslapon található. A típuslap helyzete előzetes figyelmeztetés nélkül megváltozhat.

Az eredeti pótalkatrészek néhány konkrét komponenshez legalább 7-10 évig rendelkezésre állnak.

Ez a komponens típusától és az adott modell utolsó készüléke forgalomba hozatalának idejétől függ.

Amikor kapcsolatba lép a hivatalos szervizünkkel, rendelkezésére kell bocsátani a modell megnevezését, a sorozatszámot és a hibaleírást.

Dokumentumok letöltéséhez látogasson el a www.philco.hu oldalra.

Ha hibát szeretne jelenteni, és további szolgáltatási információkat szeretne kapni, látogasson el a www.philco.hu/tamogatas-szerviz.

Előzetes értesítés nélkül változtatható.

A HASZNÁLT CSOMAGOLÓANYAGOK SELEJTÉZÉSÉRE VONATKOZÓ UTASÍTÁSOK ÉS INFORMÁCIÓK

A csomagolóanyagokat csak egy hivatalos hulladékértékesítő telephelyen szabad selejtezni.

A HASZNÁLT ELEKTROMOS ÉS ELEKTRONIKUS KÉSZÜLÉKEK SELEJTÉZÉSE



Az áthúzott konténer ikonja a készüléken vagy a csomagolóanyagon azt jelenti, hogy ezt a készüléket nem szabad a háztartásbeli hulladékkal együtt selejtezni. Az ilyen készüléket egy, az elektromos és elektronikus készülékek újrahasznosításával foglalkozó gyűjtőtelepen kell leadni. Az EU egyes államaiban, akárcsak más európai országokban gyakran a termék viszonteladója is átveszi a készüléket egy új készülék vásárlása esetén. A helyes selejtezéssel Ön is hozzájárulhat a régi készülékek megfelelő feldolgozásához és újrahasznosításához. A szakszerű selejtezés megelőzi az esetleges negatív khatásokat az emberi egészségre és a környezetre. Részletes információkkal a helyi hivatal, vagy a legközelebbi hulladékhasznosító telephely szolgálhat. A termék szabálytalan selejtezése a helyi törvények értelmében büntetendő lehet.

Vállalkozók az EU területén

Az elektromos és elektronikus készülékek helyes selejtezéséről a helyi viszonteladó vagy forgalmazó tud tájékoztatást nyújtani.

Selejtezés a nem EU államokban

Kérjük, érdeklődjön a termék helyes selejtezéséről a helyi hivatalokban vagy a termék eladójánál.



Ez a termék megfelel a vonatkozó EU szabványok valamennyi alapvető követelményének.

A gyártó fenntartja a kísérszöveg, külalak és műszaki adatok előzetes figyelmeztetés nélküli változtatásának jogát.

A használati útmutató eredeti példája cseh nyelven.

Výrobce/Manufacturer:
Fast ČR, a.s.
U Sanítasu 1621
Říčany 251 01, CZECH REPUBLIC

Distributor:
FAST PLUS, a.s.
Vlčie hrdlo 324/90
821 07 Bratislava, SLOVAKIA

Distributor:
FAST POLAND Sp. z o. o.
Kwiatniowa 36
05-090 Wypędy, POLAND

Distributor:
FAST HUNGARY Kft.
H-2310 Szigetszentmiklós
Kántor utca 10, HUNGARY

PHILCO® 

**is pending or registered trademark of Electrolux Home
Products, Inc. and used under a license from Electrolux
Home Products, Inc**