

PHILCO®

Famous for Quality the World Over

2 Slice Toaster
Topinkovač
Hriankovač
Toster
Kenyérpíró



PHTA 4006

User's Manual
Návod k obsluze
Návod na obsluhu
Instrukcja obsługi
Használati utasítás

CONTENTS

1. IMPORTANT SAFEGUARDS	3
GENERAL SAFETY INSTRUCTIONS.....	3
TECHNICAL DATA.....	5
2. PARTS	6
3. IF YOUR TOAST JAMS	7
4. CLEANING	7
5. CRUMB REMOVAL	7
6. ENVIRONMENT FRIENDLY DISPOSAL	7

DEAR CUSTOMER!

Thank you very much for buying this product.

Before using your new appliance, please read this operation manual to ensure that you gain the maximum benefit from it.

1. IMPORTANT SAFEGUARDS



Carefully read all instructions, before operating this appliance and save for further reference. Do not attempt to use this appliance for any other than the intended use, described in this booklet. Any other use, especially misuse, can cause severe injuries or damage by electric shock, overheating, and fire.

These instructions are an essential part of the appliance. Do not pass the appliance without this booklet to third parties. Any operation, repair, and technical maintenance of the appliance or any part of it other than described in these instructions may only be performed at an authorised service centre (see: 'Warranty').

GENERAL SAFETY INSTRUCTIONS

1. Please read through the following safety precautions carefully before switching on this appliance.
2. Keep this instruction manual in a safe place for future reference. Also keep the sales receipt and, if possible, the gift box with the inner packaging.
3. Failure to follow all the instruction listed may result in electric shock, fire or serious personal injury.
4. Before plugging the Toaster into the mains electrical supply, check that the voltage and power supply comply with the specifications indicated on the rating plate of the appliance.
5. The Toaster is not intended for use by persons with reduced physical, sensory or mental capabilities, or lack of experience and knowledge, unless they have been given supervision or instruction concerning use of the appliance by a person responsible for their safety.
6. The Toaster may be used by children aged from 8 years and above if they have been given supervision or instruction concerning the use of the appliance by a person responsible for their safety.
7. It is imperative that children aged from 8 years and above are carefully instructed to use the Toaster in a safe way and that they understand the hazards involved. Children should only be allowed to clean the Toaster whilst under adult supervision.
8. Always keep the Toaster and its power cord out of reach of children. Close adult supervision is necessary when the toaster is used by or near children. Children should not play with the appliance.
9. Always place the Toaster on a stable, flat, heat-resistant surface. Also ensure that the surface can take the weight of the unit during use.
10. This appliance is intended for Household USE and for similar domestic applications such as staff kitchen areas in shops, offices and other working environments; by guests in hotels, motels and other residential type environments including guest houses and bed and breakfast type establishments.
11. The Toaster should not be used for commercial purposes. The toaster should only be used for its intended purpose.
12. Do not leave the Toaster unattended when in use.
13. Do not move or lift the Toaster while it is operating or while it is connected to an electrical socket.
14. This appliance is not intended to be operated by means of an external timer or separate remote control system.
15. The use of attachments, not specifically recommended by the manufacturer, must not be used as they may cause personal injury or damage to the Toaster.
16. Take care when using the Toaster as it reaches very high temperatures and the outside surfaces are liable to get hot during use. DO NOT touch the outside surfaces during use, particularly in the area of the toasting slots.

17. Bread may burn; therefore the Toaster must not be used near or below curtains and other combustible materials.
18. Do not place the cable or any other object over the toasting slots whilst the Toaster is in operation.
19. Do not attempt to dislodge food while the Toaster is in operation.
20. The Pop-up lever must be in the 'UP' position before connecting or disconnecting the plug from the mains electrical supply.
21. Do not insert metal objects or other utensils into the Toaster as this will cause an electric shock or cause a fire.
22. Do not operate the Toaster if the plug or power cord has been damaged, is not working properly, has been dropped or has been exposed to water or other liquid.
23. Regularly check the Toaster's power cord carefully for damage. If the power cord is damaged in any way, the manufacturer or its service agent or a similarly qualified person must replace it in order to avoid an electrical hazard.
24. Do not allow the power cord to hang over sharp table edges or come into contact with hot surfaces.
25. Make sure that the Toaster is switched off and remove the plug from the mains electrical supply when it is not in use, before it is cleaned and while it is being repaired.
26. To prevent the risk of electrical shock. Do not immerse the power cord, plug, or any non-removable parts of this Toaster in water or any other liquid.
27. The Toaster must not be submerged in water, as any contact with the electrical parts would create the risk of malfunction and electric shock. Do not use the appliance with wet hands.
28. **DO NOT USE THE TOASTER OUTDOORS.**
29. To unplug the appliance, grasp the plug firmly and remove it from the mains electrical supply.
30. **DO NOT PULL ON THE CORD.**
31. Never use the Toaster if it is damaged in any way.
32. A qualified electrician should do all repairs. Improper repairs may place the user at risk.
33. When handing this product over to a third party, ensure that this instruction manual is supplied with the appliance.
34. Must not immerse in water for cleaning.
35. Keep the appliance and its cord out of reach of children less than 8 years.
36. If the supply cord is damaged, it must be replaced by the manufacturer, its service agent or similarly qualified persons in order to avoid a hazard.
37. The bread may burn, therefore do not use the toaster near or below combustible material, such as curtains.
38. The temperature of accessible surfaces may be high when the appliance is operating.
39. The appliance is not intended for use by persons (include children) with reduced physical, sensory or mental capabilities, or lack of experience and knowledge, unless they have been given supervision or instruction concerning use of the appliance by person responsible for their safety. Children should be supervised to ensure that they do not play with the appliance.
40. this appliance can be used by children aged from 8 years and above and persons with reduced physical, sensory or mental capabilities or lack of experience and knowledge if they have been given supervision or instruction concerning use of the appliance in a safe way and understand the hazards involved
41. cleaning and user maintenance shall not be made by children without supervision



The surfaces are liable to get hot during use.

The appliance is heated electrically. Place the appliance near a suitable wall power outlet to connect the appliance to a protected mains power supply with protective conductor (earth/ground) connected properly.

Ensure that the ratings of your mains power supply correspond to the requirements of the appliance (220 - 240 V AC, 50/60 Hz, 8 A).

- The installation of a residual current operated circuit breaker (r.c.c.b.) with a maximum rated residual operating current of 30 mA in the supplying electrical circuit is strongly recommended. If in doubt, contact your electrician for further information.
- In various foreign countries, the specifications for power supplies are subject to incompatible norms. Therefore it is possible that power supplies in foreign countries do not meet the requirements for safe operation of the appliance. Thus, before operating the appliance abroad, ensure that safe operation is possible.
- Do not use any desk top multi socket outlet, external timer, remote control systems, or extension cord. The power outlet must always be easily accessible so that it would be possible to unplug the appliance immediately in case of any malfunction or danger.

TECHNICAL DATA

Power: 220-240V ~ 50/60Hz

Power: 800-950W

To disconnect, turn any control to 'off', then remove plug from wall outlet.

Unplug from outlet when not in use and before cleaning.

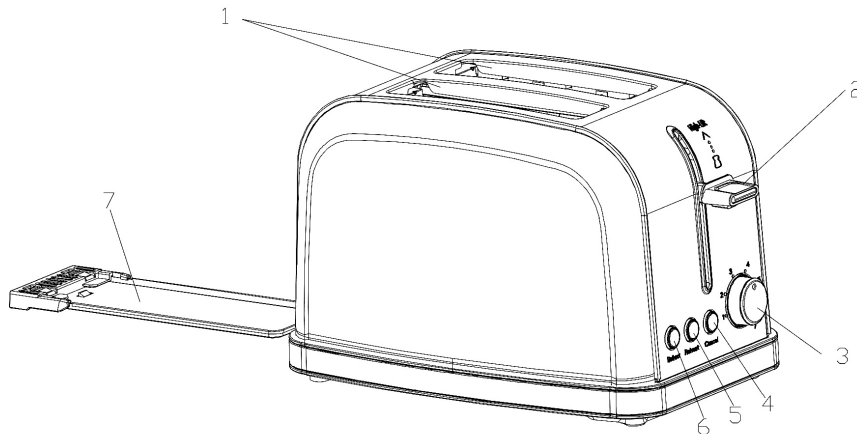
Allow to cool before putting on or taking off parts.

Do not place on or near a hot gas or electric burner, or in a heated oven.

To prevent electric shock, unplug before cleaning.

Save this instruction

2. PARTS



1. Bread slots
2. Lever with high lift feature
3. Browning control dial with Reheat (1-7)
4. Cancel button
5. Reheat button
6. Defrost button
7. Crumb tray

BEFORE FIRST USE

Carefully remove your toaster from its box. Remove all packaging from inside the toasting slots. Position your toaster on a stable, secure, dry and level work surface away from the edge. Connect the plug to a suitable power outlet and make sure that the power cord does not overhang the work surface. When you first use your toaster, there may be a slight odour as the heating elements warm up for the first time. This is normal and not a cause for concern. To remove the odour, simply operate your toaster for the first time without any bread or halved Bagel in it.

USE & CARE

Bread slots & Lever

Be sure the carriage is in the up position before use.
Never force foods into the bread slots. Foods should fit freely between the guide wires.
Do not place buttered breads in the toaster, as this could create a fire hazard.

Browning control

The browning control regulates how much the bread & halved Bagel is toasted—in other words, the color of the toast. Lower settings produce lighter toast and higher settings produce darker toast. Set the browning before toast your bread or Bagel. When setting the browning control, remember that dry or thin slices of bread will toast quicker and require a lower setting. Moist or thick slices of bread & halved Bagel will require a higher setting.

Cancel function

The toasting process can be stopped at any time by pressing the Cancel button. The pop-up lever will lift the bread or halved Bagel automatically once they are toasted and Cancel light will go out. If you wish to stop the cycle before it is finished, simply press the Cancel button.

Reheat function

Reheat toast without additional toasting.

This feature is activated and deactivated by pressing the Defrost button on at any time.

1. Place toast or halved bagel into toasting slots.
2. Push down the pop-up lever until it clicks into place and press the Reheat button.
3. The Cancel & Reheat button light will go on.
4. When the toast is reheated, the pop-up lever will lift the toast automatically and both lights will go out. If you wish to stop the cycle before it is finished, simply press the Cancel button.
5. If the Reheat button is selected in the first 30 seconds of the toasting cycle it will override the toasting cycle
6. If the toasting cycle had been running for 30 or over 30 seconds, press the Reheat button will cancel the toasting cycle after 5 seconds.

Defrost function

The Defrost function allows you to toast bread & halved bagel straight from the freezer.

Your toaster will extend the toasting time to allow the bread to Defrost.

This feature is activated and deactivated by pressing the Defrost button on at any time.

1. Insert the bread or halved bagel into your toaster & set the browning control to desire setting.
2. Push down the pop-up lever until it clicks into place and press the Defrost button.
3. The Cancel & Defrost button light will go on.
4. When the bread & halved Bagel are toasted, the pop-up lever will lift the toast automatically and both lights will go out. If you wish to stop the cycle before it is finished, simply press the Cancel button.
5. If the Defrost button is selected before the toasting cycle finish it will override the toasting cycle
6. If the Defrost toasting cycle had been running over the normal toasting time, press the Defrost button will be deactivated the Defrost function and cancel the toasting cycle after 5 seconds.

Bun Warmer

Don't use the bun warmer to warm frozen, buttered, coated, iced, or filled buns.

Fold the bun warmer feet from top to bottom.

Sit the bun warmer on top of the toaster, with the feet inside the slots.

Sit the buns on top of the bun warmer.

Set the browning level to 1.

Lower the lever.

When the lever pops up, remove the warmed buns.

Don't touch the bun warmer wires - they will be hot.

Remove the bun warmer before using the toaster normally.

High lift feature

Use the high lift feature when toasting small pieces of bread or Bagel. When toasting has finished, simply lift the lever upwards from its rest position to raise the toast and make it easier to remove.

3. IF YOUR TOAST JAMS

Never use a knife or any other utensil or implement to remove jammed bread or halved Bagel, as this could damage the toaster and cause a safety hazard.

1. Unplug the toaster from the mains supply socket.
2. Allow the toaster to completely cool down.
3. Turn the toaster upside down and gently shake.

4. CLEANING

Never use harsh, abrasive or caustic cleaners. Clean the outside of your toaster with a clean damp cloth then dry thoroughly. Apply any cleansing agent to a cloth, not to the toaster, before cleaning.

5. CRUMB REMOVAL

Crumbs can be removed by sliding the crumb tray out from the bottom of your toaster and discard crumbs. Wipe clean and replace. Always make sure that your toaster has completely cooled down and is disconnected from the mains supply before removing crumbs. Never use your toaster without the crumb tray fitted—always replace the crumb tray before using your toaster.

6. ENVIRONMENT FRIENDLY DISPOSAL

This marking indicates that this product should not be disposed of with other household waste. To prevent possible harm to the environment or human health from uncontrolled waste disposal, recycle it responsibly to promote the sustainable re-use of material resources. To dispose of your appliance correctly, please contact or take it to your local refuse/ recycling centre. Alternatively, contact your local council or information on your local re-use centre. Please make this product environmentally safe for recycling.

INSTRUCTIONS AND INFORMATION REGARDING THE DISPOSAL OF USED PACKAGING MATERIALS

Dispose of packaging material at a public waste disposal site.

DISPOSAL OF USED ELECTRICAL AND ELECTRONIC APPLIANCES



The meaning of the symbol on the product, its accessory or packaging indicates that this product shall not be treated as household waste. Please, dispose of this product at your applicable collection point for the recycling of electrical & electronic equipment waste. Alternatively in some states of the European Union or other European states you may return your products to your local retailer when buying an equivalent new product. The correct disposal of this product will help save valuable natural resources and help in preventing the potential negative impact on the environment and human health, which could be caused as a result of improper liquidation of waste. Please ask your local authorities or the nearest waste collection centre for further details. The improper disposal of this type of waste may fall subject to national regulations for fines.

For business entities in the European Union

If you wish to dispose of an electrical or electronic device, request the necessary information from your seller or supplier.

Disposal in other countries outside the European Union

If you wish to dispose of this product, request the necessary information about the correct disposal method from local government departments or from your seller.



This product meets all the basic EU regulation requirements that relate to it.

Changes to the text, design and technical specifications may occur without prior notice and we reserve the right to make these changes.

OBSAH

1. BEZPEČNOSTNÍ POKYNY	3
VŠEOBECNÉ BEZPEČNOSTNÍ POKYNY	3
TECHNICKÉ ÚDAJE	5
2. JEDNOTLIVÉ ČÁSTI SPOTŘEBIČE	6
3. POKUD SE VAŠE TOPINKA ZASEKNE	7
4. ČIŠTĚNÍ	7
5. ODSTRANĚNÍ DROBEČKŮ	7
6. LIKVIDACE V SOULADU S OCHRANOU ŽIVOTNÍHO PROSTŘEDÍ	7

VÁŽENÁ ZÁKAZNICE, VÁŽENÝ ZÁKAZNÍKU!

Děkujeme vám za zakoupení tohoto produktu.

Před používáním nového spotřebiče si přečtěte tento návod k obsluze, abyste tak zajistili získání maximálního možného užitku ze spotřebiče.

1. BEZPEČNOSTNÍ POKYNY



Přečtěte si všechny pokyny před používáním tohoto spotřebiče a uschovejte je pro případné použití v budoucnu. Nepokoušejte se používat tento spotřebič k jiným účelům, než je určen a jak je uvedeno v tomto návodu. Jakékoliv jiné použití, zejména nesprávné používání, může způsobit vážná zranění nebo poškození elektrickým proudem, přehřátí a vznik požáru.

Tyto pokyny jsou nedílnou součástí spotřebiče. Nepředávejte spotřebič třetí straně bez tohoto návodu. Jakýkoliv provoz, opravy a technická údržba spotřebiče, nebo jakékoliv jeho části jiné než uvedené v tomto návodu, smí provádět pouze autorizované servisní středisko (viz: „Záruka“).

VŠEOBECNÍ BEZPEČNOSTNÉ POKYNY

1. Před zapnutím spotřebiče si pozorně přečtěte následující bezpečnostní pokyny.
2. Uschovejte si tento návod na bezpečném místě pro jeho použití v budoucnu. Odložte si také doklad o koupi, a pokud je to možné, tak i krabici s vnitřním obalem.
3. Nedodržetím všech uvedených pokynů může vést k úrazu elektrickým proudem, požáru nebo vážnému poranění.
4. Před připojením spotřebiče k elektrické síti zkontrolujte, zda je napětí v síti shodné s technickými údaji uvedenými na typovém štítku spotřebiče.
5. Tento topinkovač není určen k použití osobami s omezenými fyzickými, smyslovými nebo duševními schopnostmi nebo s nedostatečnými zkušenostmi a znalostmi pouze tehdy, pokud se nacházejí pod dozorem nebo jsou poučeny o používání spotřebiče osobou zodpovědnou za jejich bezpečnost.
6. Topinkovač může být používán dětmi ve věku od 8 let, pokud jsou pod dohledem nebo poučené ohledně používání spotřebiče osobou zodpovědnou za jejich bezpečnost.
7. Je nevyhnutelné, a by byly děti ve věku od 8 let pečlivě poučeny o bezpečném používání topinkovače, a aby chápaly z toho vyplývající rizika. Děti nesmí čistit topinkovač, pokud nejsou pod dohledem dospělé osoby.
8. Uchovávejte topinkovač a jeho napájecí kabel mimo dosah dětí. Pokud je topinkovač používán dětmi nebo se nacházejí v blízkosti, je nezbytný dohled dospělé osoby. Děti si nesmí se spotřebičem hrát.
9. Topinkovač vždy umístěte na stabilní, rovný, žáruvzdorný povrch. Zajistěte také, aby povrch dokázal unést váhu spotřebiče v průběhu používání.
10. Tento spotřebič je určen pro domácí použití a pro podobné použití, jako je použití v kuchyňkách pro zaměstnance v prodejnách, kancelářích a jiných pracovních prostředích; hosty v hotelech, motelech a jiných prostředích ubytovacího typu, včetně penzionů a zařízení typu noclehu se snídání.
11. Topinkovač nesmí být používán pro komerční účely. Topinkovač smí být používán pouze pro účely, pro které je určen.
12. Nenechávejte topinkovač bez dozoru v průběhu jeho užívání.
13. Nepřenášejte ani nezvedejte topinkovač během jeho provozu, nebo pokud je připojen k elektrické zásuvce.
14. Tento spotřebič není určen k ovládání pomocí externího časovače nebo samostatného systému dálkového ovladače.
15. Nesmí být používáno příslušenství, které není výslovně doporučeno výrobcem, protože může způsobit poranění osob nebo poškození topinkovače.
16. Při používání topinkovače buďte opatrní, protože dosahuje velmi vysoké teploty a vnější povrchy se mohou v průběhu užívání ohřát. NEDOTÝKEJTE se vnějších povrchů v průběhu používání, zejména v oblasti opékacích otvorů.

17. Chléb může hořet; proto se nesmí topinkovač používat v blízkosti nebo přímo pod záclonami a jinými hořlavými materiály.
18. Pokud je topinkovač v provozu, neumísťujte kabel ani žádný jiný předmět na opěrací otvory.
19. Nepokoušejte se uvolňovat jídlo v průběhu provozu topinkovače.
20. Vysakovací páčka musí být před připojením nebo odpojením zástrčky z elektrické zásuvky v poloze „UP (nahore)“.
21. Nezasunujte kovové předměty ani jiné nářadí do topinkovače, protože by to mohlo způsobit úraz elektrickým proudem nebo požár.
22. Nepoužívejte topinkovač tehdy, pokud je poškozena zástrčka nebo napájecí kabel, pokud spotřebič nefunguje správně, pokud spadl nebo byl vystaven vodě nebo jiné tekutině.
23. Pravidelně kontrolujte napájecí kabel topinkovače, zda není poškozen. Pokud je napájecí kabel jakkoli poškozen, musí jej vyměnit výrobce nebo jeho servisní zástupce, či podobně kvalifikovaná osoba, aby nedošlo k úrazu elektrickým proudem.
24. Nedovolte, aby napájecí kabel visel přes ostré okraje stolu, nebo aby přišel do kontaktu s horkými povrchy.
25. Pokud nebudete spotřebič používat, před jeho čištěním a během jeho opravy nezapomeňte topinkovač vypnout a odpojit zástrčku od elektrické zásuvky.
26. Abyste zabránili riziku úrazu elektrickým proudem, neponořujte napájecí kabel, jeho zástrčku nebo jakoukoliv neoddělitelnou část tohoto topinkovače do vody nebo jakékoliv jiné tekutiny.
27. Topinkovač nesmí být ponořen do vody, protože jakýkoliv kontakt s elektrickými částmi by mohl způsobit poruchu a úraz elektrickým proudem. Nepoužívejte spotřebič mokřima rukama.
28. **NEPOUŽÍVEJTE TOPINKOVAČ VENKU.**
29. Pokud chcete spotřebič odpojit od napájení, pevně uchopte zástrčku a odpojte ji od elektrické zásuvky.
30. **NETAHEJTE ZA NAPÁJECÍ KABEL.**
31. Nikdy nepoužívejte topinkovač, pokud je jakýmkoliv způsobem poškozen.
32. Všechny opravy musí provést kvalifikovaný elektrikář. Nesprávné opravy mohou způsobit uživateli nebezpečí.
33. Při předání spotřebiče třetí straně se ujistěte, zda je spolu se spotřebičem předán i tento návod k obsluze.
34. Při čištění nesmíte spotřebič ponořit do vody.
35. Uchovávejte spotřebič a jeho napájecí kabel mimo dosah dětí mladších 8 let.
36. Pokud je napájecí kabel poškozen, musí jej vyměnit výrobce nebo jeho servisní zástupce, či podobně kvalifikovaná osoba, aby nedošlo k úrazu elektrickým proudem.
37. Chléb může hořet, proto se nesmí topinkovač používat v blízkosti nebo přímo pod hořlavým materiálem jako jsou záclony.
38. Teplota dostupných povrchů může být v průběhu provozu spotřebiče vysoká.
39. Spotřebič není určen pro používání osobami (včetně dětí) se sníženými fyzickými, smyslovými nebo duševními schopnostmi, nebo s nedostatkem zkušeností a znalostí, pokud nejsou pod dozorem nebo nejsou poučeny ohledně používání spotřebiče osobou zodpovědnou za jejich bezpečnost. Děti by měly být pod dohledem, aby si nehrály se spotřebičem.
40. Tento spotřebič mohou používat děti ve věku 8 let a více a osoby se sníženými fyzickými, smyslovými nebo duševními schopnostmi, nebo s nedostatkem zkušeností a znalostí, pokud jsou pod dozorem nebo pokud byly poučeny o bezpečném používání spotřebiče a uvědomují si nebezpečí.
41. Čištění a uživatelskou údržbu nesmějí provádět děti bez dozoru.



Povrch spotřebiče se může v průběhu jeho užívání ohřát.

Spotřebič se zahřívá elektricky. Umístěte spotřebič v blízkosti vhodné elektrické zásuvky, abyste ho připojili ke zdroji elektrické energie pomocí správně připojeného ochranného vodiče (uzemnění). Zabezpečte, aby se hodnoty vaší elektrické sítě shodovaly s požadavky spotřebiče (220 - 240 V AC, 50/60 Hz, 8 A).

- Důrazně se doporučuje instalace jističe ovládaného zbytkovým proudem (r.c.c.b.) s maximálním jmenovitým zbytkovým provozním proudem 30 mA v napájecím elektrickém obvodu. Pokud máte pochybnosti, kontaktujte svého elektrikáře a požádejte ho o další informace.
- V různých zemích podléhají specifikace napájecích zdrojů neslučitelným normám. Proto je možné, že napájecí zdroje v zahraničí nesplňují požadavky na bezpečný provoz spotřebiče. Proto před uvedením spotřebiče do provozu v zahraničí se ujistěte, zda je možná bezpečný provoz.
- Nepoužívejte žádné stolní vícenásobné elektrické zásuvky, externí časovač, systémy dálkového ovladače ani prodlužovací kabel. Elektrická zásuvka musí být vždy snadno přístupná, aby bylo možné ihned odpojit spotřebič v případě jakékoliv poruchy nebo nebezpečí.

TECHNICKÉ ÚDAJE

Napájení: 220-240 V ~ 50/60 Hz

Výkon: 800 - 950 W

Chcete-li spotřebič odpojit, vypněte jakýkoli ovladač do polohy „OFF“ a pak odpojte zástrčku od elektrické zásuvky.

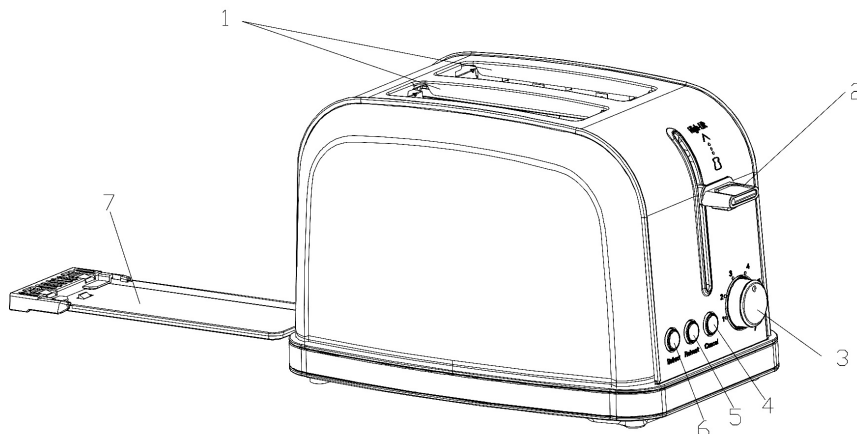
Pokud nebudete spotřebič používat a také před čištěním odpojte spotřebič od elektrické zásuvky. Před nasazením nebo odložením nějakých částí, nechte spotřebič vychladnout.

Neumísťujte spotřebič na nebo v blízkosti horkého plynového nebo elektrického sporáku, nebo do vyhřáté trouby.

Abyste zabránili úrazu elektrickým proudem, před čištěním odpojte spotřebič od elektrické zásuvky.

Uschovejte si tento návod

2. JEDNOTLIVÉ ČÁSTI SPOTŘEBIČE



1. Otvory na opékání chleba
2. Páčka s funkcí vysokého zdvihu
3. Otočný ovladač opékání (1-7)
4. Tlačítko „Cancel“ (Zrušení opékání)
5. Tlačítko „Reheat“ (Opakovaný ohřev)
6. Tlačítko „Defrost“ (Rozmrazování)
7. Táček na drobky

PŘED PRVNÍM POUŽITÍM

Opatrně vyjměte topinkovač z jeho krabice. Vyjměte všechny obaly z vnitřku opékacích otvorů. Umístěte svůj topinkovač na stabilní, bezpečnou, suchou a rovnou pracovní plochu co nejdále od okraje. Připojte zástrčku k vhodné elektrické zásuvce a ujistěte se, zda napájecí kabel není prověšený přes plochu. Při prvním použití topinkovače může dojít k mírnému zápachu, když se poprvé zahřívají topná tělesa spotřebiče. Je to normální a nemáte důvod k obavám. Chcete-li tento zápach odstranit, jednoduše použijte svůj topinkovač poprvé bez jakéhokoliv chleba nebo rozkrojené housky.

POUŽITÍ A PÉČE

Otvory na opékání chleba a páčka

Před prvním použitím se ujistěte, zda je podavač ve své horní poloze. Potraviny nikdy nevkládejte do otvorů na opékání násilím. Potraviny by měly volně vpadnout mezi vodící dráty. Nevkládejte do topinkovače máslem natřený chléb, protože by to mohlo způsobit požár.

Ovládání opékání

Ovládání opékání reguluje to, jak bude chléb a rozkrojená houska opečená - jinými slovy, barvu topinky. Při nižším nastavení bude topinka světlejší a při vyšším nastavení bude topinka tmavší. Stupeň opékání natavte před opékáním chleba nebo housek. Při nastavení ovládání opékání pamatujte na to, že suché a tenké krajíce chleba se opečou rychleji a vyžadují tak nastavení nižší hodnoty. Vlhčí nebo tlustší krajíce chleba a rozkrojené housky vyžadují nastavení vyšší hodnoty.

Funkce zrušení opékání

Proces opékání je možné kdykoliv zastavit stisknutím tlačítka „Cancel“. Zvedací páčka automaticky zvedne chléb nebo rozkrojenou housku po jejich opečení a indikátor zrušení opékání zhasne. Pokud byste chtěli zastavit cyklus opékání před jeho dokončením, jednoduše stiskněte tlačítko „Cancel“.

Funkce opakovaného ohřevu pečiva

Slouží na opakovaný ohřev topinky bez jejího opékání.

Tuto funkci aktivujete a deaktivujete kdykoliv stisknutím tlačítka „Defrost“.

1. Vložte topinku nebo rozkrojenou housku do otvorů na opékání.
2. Zatlačte zvedací páčku, dokud nezacvakne na svém místě a stiskněte tlačítko „Reheat“.
3. Rozsvítí se indikátor tlačítka „Cancel“ a „Reheat“.
4. Když je topinka ohřátá, zvedací páčka automaticky zvedne topinku a oba indikátory zhasnou. Pokud byste chtěli zastavit cyklus kdykoliv před jeho dokončením, jednoduše stiskněte tlačítko „Cancel“.
5. Pokud je tlačítko „Reheat“ zvolené v průběhu prvních 30 sekund cyklu opékání, potlačí cyklus opékání.
6. Pokud už cyklus opékání probíhal 30 sekund nebo déle, stisknutím tlačítka „Reheat“ zrušíte cyklus opékání po uplynutí 5 sekund.

Funkce rozmrazování

Funkce rozmrazování umožňuje opékat chléb a rozkrojenou housku přímo z mrazničky.

Váš topinkovač prodlouží čas opékání, aby tak mohl chléb rozmraznout.

Tuto funkci aktivujete a deaktivujete kdykoliv stisknutím tlačítka „Defrost“.

1. Vložte topinku nebo rozkrojenou housku do topinkovače a nastavte ovládání opékání na požadované nastavení.
2. Zatlačte zvedací páčku, dokud nezacvakne na svém místě a stiskněte tlačítko „Defrost“.
3. Rozsvítí se indikátor tlačítka „Cancel“ a „Reheat“.
4. Když je topinka a rozkrojená houska opečená, zvedací páčka automaticky zvedne topinku a oba indikátory zhasnou. Pokud byste chtěli zastavit cyklus kdykoliv před jeho dokončením, jednoduše stiskněte tlačítko „Cancel“.
5. Pokud je tlačítko „Defrost“ zvolené před dokončením cyklu opékání, potlačí cyklus opékání.
6. Pokud cyklus rozmrazování uplynul v průběhu času normálního opékání, stisknutím tlačítka „Defrost“ deaktivujete funkci rozmrazování a zrušíte cyklus opékání po uplynutí 5 sekund.

Držák na ohřívání housek

Nepoužívejte držák na ohřívání housek na ohřívání mrazených, máslových, natíraných, ledových nebo plněných housek.

Sejměte nožičky držáku na ohřívání housek shora dolů.

Umístěte držák na ohřívání housek na topinkovač nožičkami dovnitř otvorů.

Umístěte housky na držák na ohřívání housek.

Nastavte úroveň opečení na 1.

Sklopte páku s funkcí vysokého zdvihu.

Když se páka zvedne, ohřáté housky vyjměte.

Nedotýkejte se drátů držáku na ohřívání housek – budou horké.

Před běžným použitím topinkovače vyčistěte táč na drošky.

Funkce vysokého zdvihu

Funkci vysokého zdvihu použijte při opékání malých kousků chleba nebo housek. Když opékání skončí, jednoduše zvedněte páčku směrem nahoru z její základní polohy, abyste zvedli topinku a usnadnili tak její vyjmutí.

3. POKUD SE VAŠE TOPINKA ZASEKNE

Na vyjmutí zaseknutého chleba nebo rozkrojené housky nikdy nepoužívejte nůž ani žádné jiné nástroje, protože by mohlo dojít k poškození topinkovače a vzniku bezpečnostních rizik.

1. Odpojte topinkovač od elektrické zásuvky.
2. Nechte topinkovač zcela vychladnout.
3. Otočte topinkovač naopak a jemně jím zatřeste.

4. ČIŠTĚNÍ

Nikdy nepoužívejte drsné, abrazivní nebo leptavé čističe. Vnější povrch topinkovače vyčistěte vlhkou tkaninou a následně jej důkladně osušte. Jakýkoliv čisticí prostředek nanášejte před čištěním na čisticí tkaninu a ne na topinkovač.

5. ODSTRANĚNÍ DROBEČKŮ

Drobečky lze odstranit vysunutím táčku ze spodní části topinkovače a vysypáním drobků. Táč vyčistěte a vraťte na své místo. Před odstraňováním drobeček se vždy ujistěte, zda je topinkovač zcela vychladlý a zda je odpojen od elektrické zásuvky. Topinkovač nikdy nepoužívejte bez nasazeného táčku na drobečky – před použitím topinkovače vždy vraťte táček na drošky na své místo.

6. LIKVIDACE V SOULADU S OCHRANOU ŽIVOTNÍHO PROSTŘEDÍ

Toto označení znamená, že tento výrobek nesmí být likvidován s ostatním komunálním odpadem. Abyste zabránili možnému poškození životního prostředí nebo lidského zdraví nekontrolovanou likvidací odpadu, spotřebič zodpovědně recyklujte, abyste tak podpořili udržitelné opětovné použití materiálových zdrojů. Chcete-li spotřebič správně zlikvidovat, obraťte se nebo odneste jej do místního střediska pro likvidaci a recyklaci odpadu. Popřípadě se obraťte na svou místní samosprávu ohledně informací o místním recyklačním středisku. Předějte tento spotřebič na jeho ekologickou recyklaci.

POKYNY A INFORMACE TÝKAJÍCÍ SE LIKVIDACE POUŽITÝCH OBALOVÝCH MATERIÁLŮ

Obalové materiály zlikvidujte na veřejném místě pro likvidaci odpadu.

LIKVIDACE POUŽITÝCH ELEKTRICKÝCH A ELEKTRONICKÝCH SPOTŘEBIČŮ



Význam symbolu na výrobku, jeho příslušenství nebo obalu znamená, že s tímto výrobkem nesmí být zacházeno jako s domovním odpadem. Tento výrobek zlikvidujte na příslušném sběrném místě pro recyklaci odpadu z elektrických a elektronických zařízení. Popřípadě je možné v některých státech Evropské unie nebo jiných evropských státech vrátit své výrobky místnímu prodejci, v případě koupě obdobného nového výrobku. Správná likvidace tohoto výrobku pomůže ušetřit cenné přírodní zdroje a pomoci při prevenci případného negativního vlivu na životní prostředí a lidské zdraví, ke kterému by mohlo dojít v důsledku nesprávné likvidace odpadu. Podrobnější informace získáte od místního úřadu nebo v nejbližším středisku pro sběr odpadu. Nesprávná likvidace tohoto typu odpadu může podléhat vnitrostátním předpisům o pokutách.

Pro podnikatelské subjekty v Evropské unii

Chcete-li zlikvidovat elektrické nebo elektronické zařízení, vyžádejte si potřebné informace od svého prodejce nebo dodavatele.

Likvidace v jiných zemích mimo Evropskou unii

Chcete-li zlikvidovat tento výrobek, vyžádejte si potřebné informace o správném způsobu likvidace od místních úřadů nebo svého prodejce.



Tento výrobek splňuje všechny základní požadavky nařízení EU, které se na něj vztahují.

Změny v textu, designu a technických údajích se mohou vyskytnout bez předchozího upozornění a vyhrazujeme si právo provést tyto změny.

OBSAH

1. BEZPEČNOSTNÉ POKYNY	3
VŠEOBECNÉ BEZPEČNOSTNÉ POKYNY.....	3
TECHNICKÉ ÚDAJE.....	5
2. JEDNOTLIVÉ ČASTI SPOTREBIČA	6
3. AK SA VAŠA HRIANKA ZASEKNE	7
4. ČISTENIE	7
5. ODSTRÁNENIE OMRVINIEK	7
6. LIKVIDÁCIA V SÚLADE S OCHRANOU ŽIVOTNÉHO PROSTREDIA	7

VÁŽENÁ ZÁKAZNÍČKA, VÁŽENÝ ZÁKAZNÍK!

Ďakujeme vám za zakúpenie tohto produktu.

Pred používaním nového spotrebiča si prečítajte tento návod na obsluhu, aby ste tak zaistili získanie maximálneho možného úžitku zo spotrebiča.

1. BEZPEČNOSTNÉ POKYNY



Prečítajte si všetky pokyny pred používaním tohto spotrebiča a uschovajte ich pre prípadné použitie v budúcnosti. Nepokúšajte sa používať tento spotrebič na iné účely, ako je určený a ako je uvedené v tomto návode. Akékoľvek iné použitie, najmä nesprávne používanie, môže spôsobiť vážne zranenia alebo poškodenia elektrickým prúdom, prehriatie a vznik požiaru.

Tieto pokyny sú neoddeliteľnou súčasťou spotrebiča. Neodovzdávajte spotrebič tretej strane bez tohto návodu. Akákoľvek prevádzka, oprava a technická údržba spotrebiča, alebo akékoľvek jeho časti iné ako sú uvedené v tomto návode, sme vykonávať len autorizované servisné stredisko (pozrite si časť: „Záruka“).

VŠEOBECNÉ BEZPEČNOSTNÉ POKYNY

1. Pred zapnutím spotrebiča si pozorne prečítajte nasledujúce bezpečnostné pokyny.
2. Odložte si tento návod na bezpečnom mieste pre jeho použitie v budúcnosti. Odložte si taktiež doklad o kúpe a ak je to možné, tak aj škatuľu s vnútorným obalom.
3. Nedodržaním všetkých uvedených pokynov môže viesť k úrazu elektrickým prúdom, vzniku požiaru alebo vážnemu poraneniu.
4. Pred pripojením spotrebiča k elektrickej sieti skontrolujte, či je napätie v sieti zhodné s technickými údajmi uvedenými na typovom štítku spotrebiča.
5. Tento hriankovač nie je určený na použitie osobami s obmedzenými fyzickými, zmyslovými alebo duševnými schopnosťami alebo s nedostatočnými skúsenosťami a znalosťami len vtedy, ak sa nachádzajú pod dozorom alebo sú poučení o používaní spotrebiča osobou zodpovednou za ich bezpečnosť.
6. Hriankovač môže byť používaný deťmi vo veku od 8 rokov, ak sú pod dohľadom alebo poučené ohľadom používania spotrebiča osobou zodpovednou za ich bezpečnosť.
7. Je nevyhnutné, a by boli deti vo veku od 8 rokov starostlivo poučené o bezpečnom používaní hriankovača a aby chápali z toho vyplývajúce riziká. Deti nesmú čistiť hriankovač, pokiaľ nie sú pod dohľadom dospelého osoby.
8. Uchovávajte hriankovač a jeho napájací kábel mimo dosahu detí. Ak je hriankovač používaný deťmi alebo sa nachádzajú v jeho blízkosti, je nevyhnutný dohľad dospelého osoby. Deti sa nesmú so spotrebičom hrať.
9. Hriankovač vždy umiestnite na stabilný, rovný, teplovzdorný povrch. Zaistite taktiež, aby povrch dokázal uniesť váhu spotrebiča v priebehu používania.
10. Tento spotrebič je určený pre domáce použitie a pre podobné použitie, ako je použitie v kuchynkách pre zamestnancov v predajniach, kanceláriách a iných pracovných prostrediach; hosťami v hoteloch, motelloch a iných prostrediach ubytovacieho typu, vrátane penziónov a zariadení typu nocľahu s raňajkami.
11. Hriankovač nesmie byť používaný na komerčné účely. Hriankovač smie byť používaný len na účely, na ktoré je určený.
12. Nenechávajte hriankovač bez dozoru v priebehu jeho používania.
13. Neprenášajte ani nedvíhajte hriankovač v priebehu jeho prevádzky, alebo pokiaľ je pripojený k elektrickej zásuvke.
14. Tento spotrebič nie je určený na ovládanie pomocou externého časovača alebo samostatného systému diaľkového ovládača.
15. Nesmie byť používané príslušenstvo, ktoré nie je výslovne odporúčané výrobcom, pretože môže spôsobiť poranenie osôb alebo poškodenie hriankovača.
16. Pri používaní hriankovača buďte opatrní, pretože dosahuje veľmi vysoké teploty a vonkajšie povrchy sa môžu v priebehu používania zohriať. NEDOTÝKAJTE sa vonkajších povrchov v priebehu používania, najmä v oblasti opekacích otvorov.

17. Chlieb môže horieť; preto sa nesmie hriankovač používať v blízkosti alebo priamo pod záclonami a inými horľavými materiálmi.
18. Pokiaľ je hriankovač v prevádzke, neumiestňujte kábel ani žiaden iný predmet na opekacie otvory.
19. Nepokúšajte sa uvoľňovač jedlo v priebehu prevádzky hriankovača.
20. Vyskakovacia páčka musí byť pred pripojením alebo odpojením zástrčky z elektrickej zásuvky v polohe „UP (hore)“.
21. Nezasúvajte kovové predmety ani iné náradie do hriankovača, pretože by to mohlo spôsobiť úraz elektrickým prúdom alebo vznik požiaru.
22. Nepoužívajte hriankovač vtedy, ak je poškodená zástrčka alebo napájací kábel, ak spotrebič nefunguje správne, ak spadol alebo bol vystavený vode alebo inej tekutine.
23. Pravidelne kontrolujte napájací kábel hriankovača, či nie je poškodený. Ak je napájací kábel akokoľvek poškodený, musí ho vymeniť výrobca alebo jeho servisný zástupca, či podobne kvalifikovaná osoba, aby nedošlo k úrazu elektrickým prúdom.
24. Nedovoľte, aby napájací kábel visel cez ostré okraje stola, alebo aby prišiel do kontaktu s horúcimi povrchmi.
25. Ak nebudete spotrebič používať, pred jeho čistením a v priebehu jeho opravy nezabudnite hriankovač vypnúť a odpojiť zástrčku od elektrickej zásuvky.
26. Aby ste zabránili riziku úrazu elektrickým prúdom, neponárajte napájací kábel, jeho zástrčku alebo akýkoľvek neodpojiteľnú časť tohto hriankovača do vody, alebo akejkolvek inej tekutiny.
27. Hriankovač nesmie byť ponorený do vody, pretože akýkoľvek kontakt s elektrickými časťami by mohol spôsobiť poruchu a úraz elektrickým prúdom. Nepoužívajte spotrebič mokrymi rukami.
28. **NEPOUŽÍVAJTE HRIANKOVAČ VONKU.**
29. Ak chcete spotrebič odpojiť od napájania, pevne uchopte zástrčku a odpojte ju od elektrickej zásuvky.
30. **NEŤAHAJTE ZA NAPÁJACÍ KÁBEL.**
31. Nikdy nepoužívajte hriankovač, ak je akýmkoľvek spôsobom poškodený.
32. Všetky opravy musí vykonať kvalifikovaný elektrikár. Nesprávne opravy môžu spôsobiť používateľovi nebezpečenstvo.
33. Pri odovzdaní spotrebiča tretej strane sa uistite, či je spolu so spotrebičom odovzdaný aj tento návod na obsluhu.
34. Pri čistení nesmiete spotrebič ponoriť do vody.
35. Uchovávajte spotrebič a je napájací kábel mimo dosahu detí mladších ako 8 rokov.
36. Ak je napájací kábel poškodený, musí ho vymeniť výrobca alebo jeho servisný zástupca, či podobne kvalifikovaná osoba, aby nedošlo k úrazu elektrickým prúdom.
37. Chlieb môže horieť, preto sa nesmie hriankovač používať v blízkosti alebo priamo pod horľavým materiálom ako sú záclony.
38. Teplota dostupných povrchov môže byť v priebehu prevádzky spotrebiča vysoká.
39. Spotrebič nie je určený pre používanie osobami (vrátane detí) so zníženými fyzickými, zmyslovými alebo duševnými schopnosťami, alebo s nedostatkom skúseností a znalostí, pokiaľ nie sú pod dozorom alebo nie sú poučení ohľadom používania spotrebiča osobou zodpovednou za ich bezpečnosť. Deti by mali byť pod dohľadom, aby sa nehrali so spotrebičom.
40. Tento spotrebič môžu používať deti vo veku 8 rokov a viac a osoby so zníženými fyzickými, zmyslovými alebo duševnými schopnosťami, alebo s nedostatkom skúseností a znalostí, ak sú pod dozorom alebo ak boli poučení o bezpečnom používaní spotrebiča a uvedomujú si nebezpečenstvá.
41. Čistenie a používateľskú údržbu nesmú vykonávať deti bez dozoru.



Povrch spotrebiča sa môže v priebehu jeho používania zohriať.

Spotrebič sa zohrieva elektricky. Umiestnite spotrebič v blízkosti vhodnej elektrickej zásuvky, aby ste ho pripojili k zdroju elektrickej energie pomocou správne pripojeného ochranného vodiča (uzemnenie).

Zabezpečte, aby sa hodnoty vašej elektrickej siete zhodovali k požiadavkami spotrebiča (220 - 240 V AC, 50/60 Hz, 8 A).

- Dôrazne sa odporúča inštalácia ističa ovládaného zvyškovým prúdom (r.c.c.b.) s maximálnym menovitým zvyškovým prevádzkovým prúdom 30 mA v napájacom elektrickom obvode. Ak máte pochybnosti, kontaktujte svojho elektrikára a požiadajte ho o ďalšie informácie.
- V rôznych krajinách podliehajú špecifikácie napájacích zdrojov nezlučiteľným normám. Preto je možné, že napájacie zdroje v zahraničí nespĺňajú požiadavky na bezpečnú prevádzku spotrebiča. Preto pred uvedením spotrebiča do prevádzky v zahraničí sa uistite, či je možná bezpečná prevádzka.
- Nepoužívajte žiadne stolné viacnásobné elektrické zásuvky, externý časovač, systémy diaľkového ovládača ani predlžovací kábel. Elektrická zásuvka musí byť vždy ľahko prístupná, aby bolo možné ihneď odpojiť spotrebič v prípade akejkoľvek poruchy alebo nebezpečenstva.

TECHNICKÉ ÚDAJE

Napájanie: 220-240 V ~ 50/60 Hz

Výkon: 800 - 950 W

Ak chcete spotrebič odpojiť, vypnite akýkoľvek ovládač do polohy „OFF“ a potom odpojte zástrčku od elektrickej zásuvky.

Ak nebudete spotrebič používať a pred čistením odpojte spotrebič od elektrickej zásuvky.

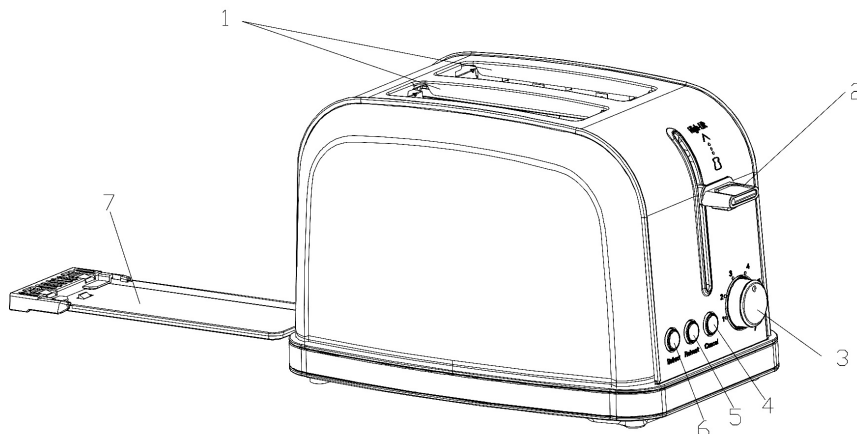
Pred nasadením alebo odložením nejakých častí, nechajte spotrebič vychladnúť.

Neumiestňujte spotrebič na alebo v blízkosti horúceho plynového alebo elektrického sporáka, alebo do vyhriatej rúry.

Aby ste zabránili úrazu elektrickým prúdom, pred čistením odpojte spotrebič od elektrickej zásuvky.

Odložte si tento návod

2. JEDNOTLIVÉ ČASTI SPOTREBIČA



1. Otvory na opekane chleba
2. Páčka s funkciou vysokého zdvihu
3. Otočný ovládač opekania (1-7)
4. Tlačidlo „Cancel“ (Zrušenie opekania)
5. Tlačidlo „Reheat“ (Opakovaný ohrev)
6. Tlačidlo „Defrost“ (Rozmrazovanie)
7. Tácka na omrvinky

PRED PRVÝM POUŽITÍM

Opatrne vyberte hriankovač z jeho škatule. Vyberte všetky obaly z vnútra opekacích otvorov. Umiestnite svoj hriankovač na stabilnú, bezpečnú, suchú a rovnú pracovnú plochu čo najďalej od okraja. Pripojte zástrčku k vhodnej elektrickej zásuvke a uistite sa, či napájací kábel neprevísá cez pracovnú plochu.

Pri prvom použití hriankovača môže dôjsť k miernemu zápachu, keď sa prvýkrát zohrievajú výhrevné telesá spotrebiča. Je to normálne a nemáte dôvod na obavy.

Ak chcete tento zápach odstrániť, jednoducho použite svoj hriankovač prvýkrát bez akéhokoľvek chleba alebo rozkrojenej žemle.

POUŽITIE A STAROSTLIVOSŤ

Otvory na opekane chleba a páčka

Pred prvým použitím sa uistite, či je podávač vo svojej hornej polohe.

Potraviny nikdy nekladajte do otvorov na opekane nasilu. Potraviny by mali voľne vpadnúť medzi vodiace drôty.

Nevkladajte do hriankovača maslom natretý chlieb, pretože by to mohlo spôsobiť požiar.

Ovládanie opekania

Ovládanie opekania reguluje to, ako bude chlieb a rozkrojená žemľa opečená — inými slovami, farbu hrianky.

Pri nižšom nastavení bude hrianka svetlejšia a pri vyššom nastavení bude hrianka tmavšia.

Stupeň opekania nastavte pred opekaním chleba alebo žemlí.

Pri nastavení ovládania opekania pamätajte na to, že suché a tenké krajce chleba sa opečú rýchlejšie a vyžadujú tak nastavenie nižšej hodnoty. Vlhkejšie alebo hrubšie krajce chleba a rozkrojenej žemle si vyžadujú nastavenie vyššej hodnoty.

Funkcia zrušenia opekania

Proces opekania je možné kedykoľvek zastaviť stlačením tlačidla „Cancel“.

Zdvíhacia páčka automaticky zdvihne chlieb alebo rozkrojenú žemľu po ich opečení a indikátor zrušenia opekania zhasne. Ak by ste chceli zastaviť cyklus opekania pred jeho dokončením, jednoducho stlačte tlačidlo „Cancel“.

Funkcia opakovaného ohrevu pečiva

Slúži na opakovaný ohrev hrianky bez jej opekania.

Túto funkciu aktivujete a deaktivujete kedykoľvek stlačením tlačidla „Defrost“.

1. Vložte hrianku alebo rozkrojenú zemľu do otvorov na opekánie.
2. Zatláčte zdvíhaciu páčku pokiaľ nezacvakne na svojom mieste a stlačte tlačidlo „Reheat“.
3. Rozsvieti sa indikátor tlačidla „Cancel“ a „Reheat“.
4. Keď je hrianka zohriata, zdvíhacia páčka automaticky zdvihne hrianku a oba indikátory zhasnú. Ak by ste chceli zastaviť cyklus kedykoľvek pred jeho dokončením, jednoducho stlačte tlačidlo „Cancel“.
5. Ak je tlačidlo „Reheat“ zvolené v priebehu prvých 30 sekúnd cyklu opekania, potlačí cyklus opekania.
6. Ak už cyklus opekania prebiehal 30 sekúnd alebo dlhšie, stlačením tlačidla „Reheat“ zrušíte cyklus opekania po uplynutí 5 sekúnd.

Funkcia rozmrazovania

Funkcia rozmrazovania vám umožňuje opekať chlieb a rozkrojenú zemľu priamo z mrazničky.

Váš hriankovač predĺži čas opekania, aby tak mohol chlieb rozmraziť.

Túto funkciu aktivujete a deaktivujete kedykoľvek stlačením tlačidla „Defrost“.

1. Vložte hrianku alebo rozkrojenú zemľu do hriankovača a nastavte ovládanie opekania na požadované nastavenie.
2. Zatláčte zdvíhaciu páčku pokiaľ nezacvakne na svojom mieste a stlačte tlačidlo „Defrost“.
3. Rozsvieti sa indikátor tlačidla „Cancel“ a „Reheat“.
4. Keď je hrianka a rozkrojená zemľa opečená, zdvíhacia páčka automaticky zdvihne hrianku a oba indikátory zhasnú. Ak by ste chceli zastaviť cyklus kedykoľvek pred jeho dokončením, jednoducho stlačte tlačidlo „Cancel“.
5. Ak je tlačidlo „Defrost“ zvolené pred dokončením cyklu opekania, potlačí cyklus opekania.
6. Ak cyklus rozmrazovania uplynul v priebehu času normálneho opekania, stlačením tlačidla „Defrost“ deaktivujete funkciu rozmrazovania a zrušíte cyklus opekania po uplynutí 5 sekúnd.

Držiak na ohrievanie zemlí

Nepoužívajte držiak na ohrievanie zemlí na ohrievanie mrazených, maslových, natieraných, ľadových alebo plnených zemlí.

Zložte nožičky držiaka na ohrievanie zemlí zhora nadol.

Umiestnite držiak na ohrievanie zemlí na hriankovač nožičkami do vnútra otvorov.

Umiestnite zemle na držiak na ohrievanie zemlí.

Nastavte úroveň opečenia na 1.

Sklopte páku s funkciou vysokého zdvihu.

Keď sa páka zdvihne, ohriate zemle vyberte.

Nedotýkajte sa drôtov držiaka na ohrievanie zemlí - budú horúce.

Pred bežným použitím hriankovača vyčistite tácku na omrvinky.

Funkcia vysokého zdvihu

Funkciu vysokého zdvihu použijete pri opekaní malých kúskov chleba alebo zemlí. Keď opekánie skončí, jednoducho zdvihnite páčku smerom hore z jej základnej polohy, aby ste zdvihli hrianku a uľahčili tak jej vybratie.

3. AK SA VAŠA HRIANKA ZASEKNE

Na vybratie zaseknutého chleba alebo rozkrojenej zemle nikdy nepoužívajte nôž ani žiadne iné nástroje, pretože by mohlo dôjsť k poškodeniu hriankovača a vzniku bezpečnostných rizík.

1. Odpojte hriankovač od elektrickej zásuvky.
2. Nechajte hriankovač úplne vychladnúť.
3. Otočte hriankovač naopak a jemne ním zatráste.

4. ČISTENIE

Nikdy nepoužívajte drsné, abrazívne alebo leptavé čističe. Vonkajší povrch hriankovača vyčistíte vlhkou tkaninou a následne ho dôkladne osušte. Akýkoľvek čistiaci prostriedok nanášajte pred čistením na čistiacu tkaninu a nie na hriankovač.

5. ODSTRÁNENIE OMRVINIEK

Omrvky je možné odstrániť vysunutím tácky zo spodnej časti hriankovača a vyspaním omrvínok. Tácku vyčistíte a vráťte na svoje miesto. Pred odstraňovaním omrvínok sa vždy uistite, či je hriankovač úplne vychladnutý a či je odpojený od elektrickej zásuvky. Hriankovač nikdy nepoužívajte bez nasadenej tácky na omrvinky — pred použitím hriankovača vždy vráťte tácku na omrvinky na svoje miesto.

6. LIKVIDÁCIA V SÚLADE S OCHRANOU ŽIVOTNÉHO PROSTREDIA

Toto označenie znamená, že tento výrobok nesmie byť likvidovaný s ostatným komunálnym odpadom. Aby ste zabránili možnému poškodeniu životného prostredia alebo ľudského zdravia nekontrolovanou likvidáciou odpadu, spotrebič zodpovedne recyklujte, aby ste tak podporili trvalo udržateľné opätovné použitie materiálových zdrojov. Ak chcete spotrebič správne zlikvidovať, obráťte sa alebo odneste ho do miestneho strediska na likvidáciu a recykláciu odpadu. Poprípade sa obráťte na svoju miestnu samosprávu ohľadom informácií o miestnom recyklačnom stredisku. Odovzdajte tento spotrebič na jeho ekologickú recykláciu.

POKYNY A INFORMÁCIE TÝKAJÚCE SA LIKVIDÁCIE POUŽITÝCH OBALOVÝCH MATERIÁLOV

Obalové materiály zlikvidujte na verejnom mieste pre likvidáciu odpadu.

LIKVIDÁCIA POUŽITÝCH ELEKTRICKÝCH A ELEKTRONICKÝCH SPOTREBIČOV



Význam symbolu na výrobku, jeho príslušenstve alebo obale znamená, že s týmto výrobkom nesmie byť zaobchádzané ako s komunálnym odpadom. Tento výrobok zlikviduje na príslušnom zbernom mieste pre recykláciu odpadu z elektrických a elektronických zariadení. Popríklad je možné v niektorých štátoch Európskej únie alebo iných európskych štátoch vrátiť svoje výrobky miestnemu predajcovi, v prípade kúpy podobného nového výrobku. Správna likvidácia tohto výrobku pomôže ušetriť cenné prírodné zdroje a pomôcť pri prevencii prípadného negatívneho vplyvu na životné prostredie a ľudské zdravie, ku ktorému by mohlo dôjsť v dôsledku nesprávnej likvidácie odpadu. Podrobnejšie informácie získate od miestneho úradu alebo v najbližšom stredisku pre zber odpadu. Nesprávna likvidácia tohto typu odpadu môže podliehať vnútroštátnym predpisom o pokutách.

Pre podnikateľské subjekty v Európskej únii

Ak chcete zlikvidovať elektrické alebo elektronické zariadenie, vyžiadajte si potrebné informácie od svojho predajcu alebo dodávateľa.

Likvidácia v iných štátoch mimo Európskej únie

Ak chcete zlikvidovať tento výrobok, vyžiadajte si nevyhnutné informácie o správnom spôsobe likvidácie od miestnych úradov alebo svojho predajcu.



Tento výrobok spĺňa všetky základné požiadavky nariadenia EÚ, ktoré sa naň vzťahujú.

Zmeny v texte, dizajne a technických údajoch sa môžu vyskytnúť bez predchádzajúceho upozornenia a vyhradujeme si právo vykonať tieto zmeny.

SPIS TREŚCI

1. WSKAZÓWKI DOTYCZĄCE BEZPIECZEŃSTWA	3
OGÓLNE WSKAZÓWKI DOTYCZĄCE BEZPIECZEŃSTWA.....	3
DANE TECHNICZNE.....	5
2. POSZCZEGÓLNE CZĘŚCI URZĄDZENIA	6
3. GDY GRZANKA UTKNIE W URZĄDZENIU	7
4. CZYSZCZENIE	7
5. USUWANIE OKRUCHÓW	7
6. LIKWIDACJA ZGODNA Z OCHRONĄ ŚRODOWISKA	7

SZANOWNA KLIENTKO, SZANOWNY KLIENCIE!

Dziękujemy za zakup tego urządzenia.

Przed używaniem nowego urządzenia przeczytaj niniejszą instrukcję obsługi, aby zapewnić uzyskanie maksymalnego wykorzystania urządzenia.

1. WSKAZÓWKI DOTYCZĄCE BEZPIECZEŃSTWA



Przeczytaj wszystkie wskazówki przed rozpoczęciem używania tego urządzenia i zachowaj je do użytku w przyszłości. Nie próbuj używać tego urządzenia do innych celów, niż cel określony w niniejszej instrukcji obsługi. Każde inne użycie, zwłaszcza nieodpowiednie używanie, może powodować poważne obrażenia lub porażenie prądem elektrycznym, przegrzanie i wybuch pożaru. Instrukcja jest nierozdzieloną częścią urządzenia. Nie oddawaj urządzenia stronie trzeciej bez tej instrukcji. Każda praca, naprawa i konserwacja techniczna urządzenia lub jakiegokolwiek jego części inne niż podano w tej instrukcji, może być wykonywana tylko przez autoryzowany serwis (zob. część: „gwarancja”).

OGÓLNE WSKAZÓWKI DOTYCZĄCE BEZPIECZEŃSTWA

1. Przed włączeniem urządzenia uważnie przeczytaj poniższe wskazówki dotyczące bezpieczeństwa.
2. Zachowaj instrukcję w bezpiecznym miejscu do użytku w przyszłości. Zachowaj również dokument potwierdzający zakup a jeśli to możliwe, również pudełko z wewnętrznym opakowaniem.
3. Nie dotrzymanie wszystkich wymienionych wskazówek może prowadzić do porażenia prądem elektrycznym, wybuchu pożaru lub poważnych obrażeń.
4. Przed podłączeniem urządzenia do sieci elektrycznej sprawdź, czy napięcie w sieci jest zgodne z danymi technicznymi podanymi na tablicy znamionowej urządzenia.
5. Toster jest przeznaczony do użytku przez osoby o ograniczonych zdolnościach fizycznych, czuciowych lub mentalnych lub osób z niedostatecznym doświadczeniem i wiedzą tylko wtedy, gdy znajdują się pod nadzorem lub zostały pouczone o używaniu urządzenia przez osobę odpowiedzialną za ich bezpieczeństwo.
6. Toster może być używany przez dzieci w wieku od 8 lat, jeśli są pod nadzorem lub zostały pouczone o korzystaniu z urządzenia przez osobę odpowiedzialną za ich bezpieczeństwo.
7. Jest niezbędne, aby dzieci w wieku od 8 lat zostały szczegółowo i starannie pouczone o bezpiecznym używaniu tostera oraz aby rozumiały wynikające z tego niebezpieczeństwa. Dzieci nie mogą czyścić tostera, jeśli nie są pod nadzorem osoby dorosłej.
8. Przechowuj toster i jego przewód zasilania z dala od zasięgu dzieci. Podczas używania tostera przez dzieci lub gdy dzieci znajdują się w jego pobliżu, niezbędny jest nadzór osoby dorosłej. Dzieci nie mogą bawić się urządzeniem.
9. Zawsze umieszczaj toster na stabilnej, równej, odpornej na temperaturę powierzchni. Zapewnij również, aby powierzchnia była w stanie utrzymać wagę urządzenia w trakcie użytkowania.
10. To urządzenie przeznaczone jest do użytku domowego i podobnego, takiego jak użycie w kuchniach dla pracowników sklepów, biur i w innych obiektach pracowniczych; przez gości w hotelach, motelach i innych obiektach noclegowych, w tym pensjonatów i obiektów noclegowych ze śniadaniem.
11. Toster nie może być używany do celów komercyjnych. Toster może być używany jedynie do celów, do jakich jest przeznaczony.
12. Nie zostawiaj urządzenia bez nadzoru w trakcie jego używania.
13. Nie przenoś ani nie podnoś urządzenia w trakcie jego pracy ani gdy jest podłączony do gniazdka elektrycznego.
14. Urządzenie nie jest przeznaczone do sterowania za pomocą zewnętrznego minutnika lub samodzielnego systemu zdalnego sterowania.
15. Nie wolno używać akcesoriów, które nie jest wyraźnie polecane przez producenta, mogłyby to spowodować obrażenia ludzi lub uszkodzenie tostera.
16. Podczas używania tostera, bądź ostrożny, ponieważ osiąga bardzo wysokie temperatury a zewnętrzne powierzchnie mogą się nagrzać podczas używania. **NIE DOTYKAJ** powierzchni zewnętrznych w trakcie używania, zwłaszcza w obszarze otworów opiekających.

17. Chleb może się spalić; dlatego nie wolno używać tostera w pobliżu lub bezpośrednio pod zasłonami i innymi materiałami palnymi.
18. Gdy urządzenie pracuje, nie umieszczaj kabla ani żadnych innych przedmiotów na otworach opiekających.
19. Nie próbuj wyjmować jedzenia w trakcie pracy tostera.
20. Dźwignia musi być przed podłączeniem lub odłączeniem wtyczki z gniazdka elektrycznego w pozycji „UP (hore)”.
21. Nie wsuwaj metalowych przedmiotów ani innych narzędzi do tostera, ponieważ mogłoby to spowodować porażenie prądem elektrycznym lub wybuch pożaru.
22. Nie używaj tostera, gdy jest uszkodzona wtyczka lub przewód zasilania, jeśli urządzenie nie działa prawidłowo, jeśli spadło lub było narażone na działanie wody lub innej cieczy.
23. Regularnie kontroluj przewód zasilający tostera, czy nie jest uszkodzone. Jeśli przewód zasilania jest w jakikolwiek sposób uszkodzony, musi go wymienić producent lub jego przedstawiciel serwisowy, czy osoba o podobnych kwalifikacjach, aby nie doszło do porażenia prądem elektrycznym.
24. Nie pozwól, aby przewód zasilania zwiisał przez ostre krawędzie stołu albo aby doszło do jego kontaktu z gorącymi powierzchniami.
25. Jeśli nie będziesz używać urządzenia, przed jego czyszczeniem i w trakcie jego naprawy nie zapomnij wyłączyć tostera i odłączyć wtyczkę od gniazdka elektrycznego.
26. Aby zapobiec ryzyku porażenia prądem elektrycznym, nie zanurzaj przewodu zasilania, jego wtyczki lub jakiegokolwiek nieodłącznej części tego tostera w wodzie lub jakiegokolwiek innej cieczy.
27. Toster nie może być zanurzany w wodzie, ponieważ każdy kontakt z częściami elektrycznymi mógłby spowodować awarię i porażenie prądem elektrycznym. Nie używaj urządzenia, gdy masz mokre ręce.
28. **NIE UŻYWAJ TOSTERA NA ZEWNĄTRZ.**
29. Jeśli chcesz odłączyć urządzenie od zasilania, mocno złap wtyczkę i odłącz ją od gniazdka elektrycznego.
30. **NIE CIĄGNIJ ZA PRZEWÓD ZASILAJĄCY.**
31. Nigdy nie używaj tostera, jeśli jest on w jakikolwiek sposób uszkodzony.
32. Wszystkie naprawy musi wykonywać wykwalifikowany elektryk. Niewłaściwe naprawy mogą spowodować zagrożenie dla użytkownika.
33. Oddając urządzenie stronie trzeciej, upewnij się, czy wraz z urządzeniem przekazano również tę instrukcję obsługi.
34. Podczas czyszczenia nie wolno zanurzać urządzenia w wodzie.
35. Przechowuj urządzenie i jego przewód zasilania z dala od zasięgu dzieci poniżej 8 roku życia.
36. Jeśli przewód zasilania jest uszkodzony, musi go wymienić producent lub jego przedstawiciel serwisowy, czy osoba o podobnych kwalifikacjach, aby nie doszło do porażenia prądem elektrycznym.
37. Chleb może się spalić, dlatego nie wolno używać tostera w pobliżu lub bezpośrednio pod materiałem palnym takim jak zasłony.
38. Temperatura dostępnych powierzchni może być w trakcie pracy urządzenia wysoka.
39. Urządzenie nie jest przeznaczone do użytku przez osoby (w tym dzieci) o obniżonych zdolnościach fizycznych, czuciowych lub umysłowych lub o niedostatecznym doświadczeniu i wiedzy, jeśli nie są pod nadzorem lub nie zostały pouczone o bezpiecznym używaniu urządzenia przez osobę odpowiedzialną za ich bezpieczeństwo. Dzieci powinny znajdować się pod nadzorem, aby nie bawiły się urządzeniem.

40. Urządzenia mogą używać dzieci w wieku 8 lat i więcej oraz osoby o obniżonych zdolnościach fizycznych, czuciowych lub umysłowych oraz o niedostatecznym doświadczeniu i wiedzy, jeśli są pod nadzorem lub jeśli zostały pouczone o bezpiecznym używaniu urządzenia i uświadamiają sobie zagrożenia.
41. Czyszczenia i konserwacji nie mogą wykonywać dzieci bez nadzoru.



Powierzchnia urządzenia może się nagrzać podczas jego używania.

Urządzenie ogrzewa się elektrycznie. Umieść urządzenie w pobliżu odpowiedniego gniazdka elektrycznego, aby podłączyć je do źródła energii elektrycznej za pomocą odpowiedniego podłączonego przewodu ochronnego (uziemienie).

Zabezpiecz, aby wartości twojej sieci elektrycznej zgadzały się z wymaganiami urządzenia (220 - 240 V AC, 50/60 Hz, 8 A).

- Poleca się instalację wyłącznika różnicowoprądowego (r.c.c.b.) z maksymalnym znamionowym roboczym prądem różnicowym 30 mA w obwodzie elektrycznym zasilania. Jeśli masz wątpliwości, skontaktuj się ze swoim elektrykiem i poproś go o więcej informacji.
- W różnych krajach specyfikacje źródeł zasilania podlegają różnym normom. Dlatego istnieje możliwość, że źródła zasilania za granicą nie spełniają wymogów bezpiecznego używania urządzenia. Dlatego przed uruchomieniem urządzenia zagranicą upewnij się, czy możliwa jest bezpieczna praca urządzenia.
- Nie używaj żadnych gniazdek podwójnych i większych, zewnętrznego minutnika, systemu zdalnego sterowania ani przedłużaczy. Gniazdko elektryczne musi być zawsze łatwo dostępne, aby możliwe było natychmiastowe odłączenie urządzenia w przypadku jakiegokolwiek awarii lub zagrożenia.

DANE TECHNICZNE

Zasilanie: 220-240 V ~ 50/60 Hz

Moc: 800 - 950 W

Jeśli chcesz odłączyć urządzenie, wyłącz regulator do pozycji „OFF” a następnie odłącz wtyczkę od gniazdka elektrycznego.

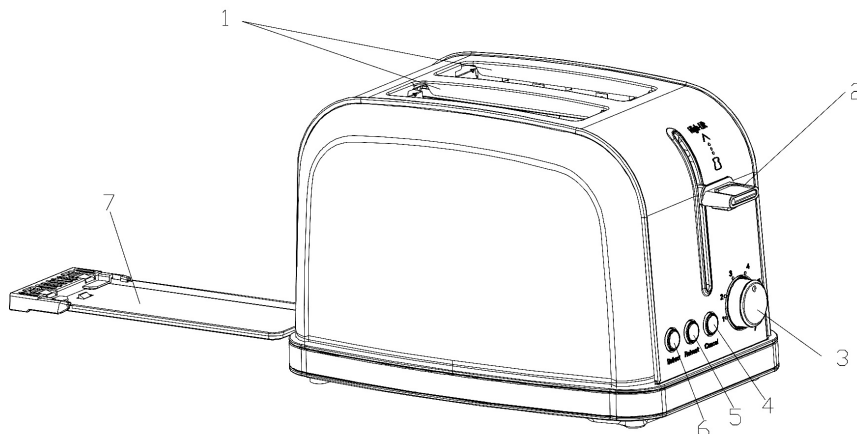
Jeśli nie będziesz używać urządzenia oraz przed czyszczeniem odłącz urządzenie od gniazdka elektrycznego. Przed założeniem lub zdjęciem jakichkolwiek części, zostaw urządzenie do ostygnięcia.

Nie umieszczaj urządzenia na lub w pobliżu gorącej gazowej lub elektrycznej kuchenki lub w gorącym piekarniku.

Aby zapobiec porażeniu prądem elektrycznym, przed czyszczeniem odłącz urządzenie od gniazdka elektrycznego.

Zachowaj tę instrukcję obsługi

2. POSZCZEGÓLNE CZĘŚCI URZĄDZENIA



1. Otwory na piekanie chleba
2. Dźwignia z funkcją wysokiego podnoszenia
3. Obrotowy regulator opiekania (1-7)
4. Przycisk „Cancel” (Anulowanie opiekania)
5. Przycisk „Reheat” (Ponowne ogrzewanie)
6. Przycisk „Defrost” (Rozmrażanie)
7. Tacka na okruchy
8. Nóżki uchwytu do ogrzewania bułek
9. Uchwyt do ogrzewania bułek

PRZED PIERWSZYM UŻYCIEM

Ostrożnie wyjmij toster z opakowania. Wyjmij wszystkie materiały opakowania z wnętrza otworów opiekających. Umieść swój toster na stabilnej, bezpiecznej, suchej i równej powierzchni jak najdalej od krawędzi. Podłącz wtyczkę do odpowiedniego gniazdka elektrycznego i upewnij się, że przewód zasilania nie zwisa przez krawędź blatu.

Przy pierwszym użyciu tostera może wydzielać się delikatny zapach, gdy pierwszy raz ogrzewają się elementy grzewcze tostera. Jest to normalne i nie ma powodu do obaw. Jeśli chcesz pozbyć się tego zapachu, po prostu użyj swojego tostera pierwszy raz bez chleba ani innego pieczywa.

UŻYWANIE I KONSERWACJA

Otwory do opiekania chleba i dźwignia

Przed pierwszym użyciem upewnij się, czy podajnik jest w górnej pozycji.

Nigdy nie wkładaj pieczywa do otworów do opiekania siłą. Pieczywo powinno swobodnie wpaść między druty. Nie wkładaj do tostera chleba posmarowanego masłem, mogłoby to spowodować pożar.

Wyświetlacz LCD

Wyświetlacz LCD wyświetla ustawienia opiekania i to, jak długo cykl opiekania będzie trwał.

Po uruchomieniu cyklu opiekania na wyświetlaczu LCD uruchomi się odliczanie w minutach i sekundach, dopóki cykl opiekania się nie zakończy.

Regulowanie opiekania

Regulowanie opiekania reguluje to, jak zostanie opieczony chleb lub rozkrojona bułka — inaczej mówiąc, kolor grzanki. Przy niższym ustawieniu grzanka będzie jaśniejsza a przy wyższym ustawieniu grzanka będzie ciemniejsza.

Stopień opiekania ustaw przed opiekaniem chleba lub bułki.

Ustawiając regulator opiekania pamiętaj, że suche i cienkie krawędzie chleba opieką się szybciej i wymagają ustawienia niższej wartości. Wilgotniejsze lub grubsze krawędzie chleba i przekrojonej bułki wymagają ustawienia wyższej wartości.

Funkcja przerwania opiekania

Proces opiekania możesz w każdej chwili zatrzymać naciskając przycisk „Cancel”.

Dźwignia automatycznie podniesie chleb lub bułkę po ich opieczeniu a wskaźnik anulowania opiekania zgaśnie. Jeśli chcesz zatrzymać cykl opiekania przed jego zakończeniem, po prostu naciśnij przycisk „Cancel”.

Funkcja ponownego opiekania pieczywa

Służy do ponownego ogrzania grzanki bez jej opiekania.

Funkcję tę aktywujesz i dezaktywujesz kiedykolwiek naciskając przycisk „Defrost”.

1. Włóż grzankę lub przekrojoną bułkę do otworów do opiekania.
2. Naciśnij dźwignię dopóki nie wskoczy na swoje miejsce i naciśnij przycisk „Reheat”.
3. Zaświeci się wskaźnik przycisku „Cancel” i „Reheat”.
4. Gdy grzanka jest ogrzana, dźwignia automatycznie podniesie grzankę i oba wskaźniki zgasną. Jeśli chcesz zatrzymać cykl kiedykolwiek przed jego zakończeniem, po prostu naciśnij przycisk „Cancel”.
5. Gdy przycisk „Reheat” zostanie wybrany w czasie pierwszych 30 sekund cyklu opiekania, zatrzyma cykl opiekania.
6. Gdy cykl opiekania trwał już 30 sekund lub dłużej, naciskając przycisk „Reheat” anulujesz cykl opiekania po upływie 5 sekund.

Funkcja rozmrażania

Funkcja rozmrażania umożliwia opiekanie chleba lub przekrojonych bułek bezpośrednio wyjętych z zamrażarki. Twój toster przedłuży czas opiekania, aby chleb mógł rozmarznąć.

Funkcję tę aktywujesz i dezaktywujesz kiedykolwiek naciskając przycisk „Defrost”.

1. Włóż grzankę do tosteru i ustaw regulację opiekania na pożądane ustawienie.
2. Naciśnij dźwignię dopóki nie wskoczy na swoje miejsce i naciśnij przycisk „Defrost”.
3. Zaświeci się wskaźnik przycisku „Cancel” i „Reheat”.
4. Gdy grzanka lub bułka jest opieczona, dźwignia automatycznie podniesie grzankę i obydwa wskaźniki zgasną. Jeśli chcesz zatrzymać cykl kiedykolwiek przed jego zakończeniem, po prostu naciśnij przycisk „Cancel”.
5. Jeśli przycisk „Defrost” został wybrany przed zakończeniem cyklu opiekania, zatrzyma cykl opiekania.
6. Jeśli cykl rozmrażania upłynął w trakcie czasu normalnego opiekania, naciskając przycisk „Defrost” dezaktywujesz funkcję rozmrażania i anulujesz cykl opiekania po upływie 5 sekund.

Uchwyt do ogrzewania bułki

Nie używaj uchwytu do ogrzewania bułki w celu ogrzewania mrożonych, maślanych, posmarowanych, lodowych lub nadziewanych bułek.

Złóż nóżki uchwytu do ogrzewania bułki z góry na dół.

Umieść uchwyt do ogrzewania bułki na tosterze nóżkami do wnętrza otworów.

Umieść bułkę na uchwycie do ogrzewania bułki.

Ustaw poziom opiekania na 1.

Opuść dźwignię z funkcją wysokiego podnoszenia.

Gdy dźwignia się podniesie, wyjmij ogrzane bułki.

Nie dotykaj drutów uchwytu do ogrzewania bułek – będą gorące.

Przed zwykłym używaniem tosteru wyczyść tackę na okruchy.

Funkcja wysokiego podnoszenia

Funkcji wysokiego podnoszenia użyj przy opiekaniu małych kawałków chleba lub bułek. Gdy opiekanie się skończy, po prostu podnieś dźwignię do góry z jej podstawowej pozycji, aby podnieść grzankę i ułatwić jej wyjmowanie.

3. GDY GRZANKA UTKNIE W URZĄDZENIU

Aby wyjąć grzankę, która utknęła nigdy nie używaj noża ani żadnych innych narzędzi, ponieważ mogłoby dojść do uszkodzenia tosteru i powstania zagrożenia.

1. Odłącz toster od gniazdka elektrycznego.
2. Zostaw toster do całkowitego ostygnięcia.
3. Obróć toster do góry dnem i delikatnie nim potrząśnij.

4. CZYSZCZENIE

Nigdy nie używaj ostrych, abrazyjnych lub żrących środków czyszczących. Zewnętrzną powierzchnię tosteru wyczyść wilgotną ścierką a następnie osusz go dokładnie. Jakikolwiek środek czyszczący nanoś przed czyszczeniem na ścierkę do czyszczenia a nie na toster.

5. USUWANIE OKRUCHÓW

Okruchy można usunąć wysuwając tackę z dolnej części tosteru i wysypując je. Tackę wyczyść i włóż na miejsce. Przed wysypaniem okruchów zawsze upewnij się, czy toster całkowicie wystygł i czy jest odłączony od gniazdka elektrycznego. Nigdy nie używaj tosteru bez założonej tacki na okruchy — przed użyciem tosteru zawsze włóż tackę na okruchy na swoje miejsce.

6. LIKWIDACJA ZGODNA Z OCHRONĄ ŚRODOWISKA

Ten symbol oznacza, że ten produkt nie może być likwidowany wraz z innymi odpadami komunalnymi. Aby zapobiec możliwemu szkodliwemu wpływowi na środowisko lub zdrowie ludzkie w wyniku niekontrolowanej likwidacji odpadu, urządzenie oddaj do recyklingu, aby wesprzeć w ten sposób zrównoważone ponowne wykorzystanie zasobów materialnych. Jeśli chcesz właściwie zlikwidować urządzenie, zwróć się do lokalnego punktu likwidacji i recyklingu odpadów. Ewentualnie zwróć się do lokalnej administracji po informacje o lokalnym punkcie recyklingu. Oddaj urządzenie do ekologicznego recyklingu.

WSKAZÓWKI I INFORMACJE O POSTĘPOWANIU ZE ZUŻYTYM OPAKOWANIEM

Zużyty materiał opakowania odnieś na miejsce wyznaczone przez administrację.

LIKWIDACJA ZUŻYTYCH URZĄDZEŃ ELEKTRYCZNYCH I ELEKTRONICZNYCH



Ten symbol na produktach lub w dokumentach dodatkowych oznacza, że zużyte urządzenie elektryczne i elektroniczne nie mogą zostać wyrzucone z odpadem komunalnym. Aby odpowiednio likwidować, odnawiać i oddawać do recyklingu oddawaj te produkty do odpowiednich punktów zbiórki. Alternatywnie w niektórych krajach Unii Europejskiej lub w innych krajach Europy możesz zwrócić swoje produkty lokalnemu sprzedawcy przy zakupie ekwiwalentnego nowego produktu. Odpowiednio likwidując ten produkt pomożesz zachować cenne źródła naturalne i pomogasz w prewencji potencjalnych negatywnych wpływów na środowisko i zdrowie ludzkie, które mogłyby być wynikiem niewłaściwej likwidacji odpadów. O więcej szczegółów poproś w lokalnej administracji lub w najbliższym punkcie zbiórki odpadów. Za nieodpowiednią likwidację tego rodzaju odpadu mogą zostać udzielone mandaty zgodnie z przepisami państwowymi.

Dla podmiotów handlowych w krajach Unii Europejskiej

Jeśli chcesz zlikwidować urządzenia elektryczne i elektroniczne, zapytaj o potrzebne informacje swojego sprzedawcę lub dostawcę.

Likwidacja w innych krajach poza Unią Europejską

Symbol ten obowiązuje w UE. Jeśli chcesz zlikwidować ten produkt, zapytaj o potrzebne informacje o odpowiednim sposobie likwidacji w lokalnej administracji lub u sprzedawcy.



Produkt ten spełnia wszystkie podstawowe wymagania rozporządzeń UE, które się do niego stosują.

Zmiany w tekście, wyglądzie i specyfikacji technicznej mogą się pojawić bez uprzedniego ostrzeżenia zastrzegamy sobie prawo do tych zmian.

TARTALOM

1. BIZTONSÁGI UTASÍTÁSOK	3
ÁLTALÁNOS BIZTONSÁGI UTASÍTÁSOK.....	3
MŰSZAKI ADATOK.....	5
2. A KÉSZÜLÉK RÉSZEI	6
3. HA ELAKAD A PIRÍTÓS	7
4. TISZTÍTÁS	7
5. A MORZSÁK ELTÁVOLÍTÁSA	7
6. KÖRNYEZETBARÁT SELEJTEZÉS	7

TISZTELT VÁSÁRLÓNK!

Köszönjük, hogy megvásárolta ezt a terméket.

Kérjük, hogy az új készülék üzembe helyezése előtt a maximális hatékonyság elérése érdekében olvassa el ezt az útmutatót.

1. BIZTONSÁGI UTASÍTÁSOK



A készülék használata előtt olvassa el az egész útmutatót. Őrizze meg az útmutatót későbbi használatra. A készülék kizárólag az útmutatóban ismertetett rendeltetési céljára használható. Minden más jellegű használat, főleg a helytelen használat, súlyos sérüléseket, elektromos áramütést, túlmelegedést és tűzképződést okozhat.

Az utasítások a készülék elengedhetetlen részét képezik. Ne adja át egy harmadik személynek a készüléket az eredeti útmutató nélkül. Minden módosítást, javítást és műszaki karbantartást a készüléken és annak valamennyi részén a márkaszervizben kell elvégezni, mint ahogy ez az útmutatóban is olvasható (lásd: „Garancia” fejezet).

ÁLTALÁNOS BIZTONSÁGI UTASÍTÁSOK

1. Olvassa el figyelmesen a biztonsági utasításokat a készülék bekapcsolása előtt.
2. Őrizze az útmutatót egy biztonságos helyen későbbi használatra. Ugyancsak meg kell őrizni a vásárlási bizonylatot, és lehetőség szerint a dobozt és a belső csomagolást is.
3. Az utasítások megszegése vagy mellőzése áramütést, tűzképződést vagy súlyos sérüléseket okozhat.
4. Az elektromos hálózathoz való csatlakozás előtt ellenőrizze, hogy a hálózati feszültség megegyezik-e a készülék adatlapján feltüntetett műszaki adatokkal.
5. A készüléket nem használhatják korlátozott fizikai, érzékszervi vagy szellemi képességű felnőttek, ha nem rendelkeznek megfelelő tapasztalatokkal, és nem ügyel rájuk egy, a biztonságukért felelős személy.
6. A készüléket használhatják 8 évnél idősebb gyermekek is, amennyiben felügyelnek rájuk, vagy egy, a biztonságukért felelős személy elmagyarázta nekik a készülék helyes használatát.
7. Elengedhetetlen a 8 évnél idősebb gyermekek gondos felvilágosítása a kenyérpíritó biztonságos használatát és az abból adódó veszélyek felismerését illetően. Gyermek nem tisztíthatja a kenyérpíritót, amennyiben nem ügyel rájuk egy felnőtt személy.
8. Tartsa távol a gyermekektől a kenyérpíritót és a vezetékét. Ha gyermekek használják a készüléket, vagy a közelében tartózkodnak, egy felnőtt személynek kell ügyelnie rájuk. Ügyelni kell a gyerekekre, hogy ne játszanak a készülékkel.
9. A készüléket mindig egy stabil, egyenes és hőálló felületre kell helyezni. Be kell biztosítani, hogy a felület elbírja a készülék súlyát a használat folyamán.
10. Ez a készülék háztartásokban és hasonló helyeken való használatra készült, mint: alkalmazottak konyhája boltokban, irodákban és más munkahelyeken; hotelek, motelek és más szálláshelyek vendégei számára, beleértve a reggelit szolgáltató szállásokat is.
11. Ez a kenyérpíritó nem használható ipari célokra. A készülék kizárólag eredeti rendeltetési céljára használható.
12. Ne hagyja használat közben felügyelet nélkül a kenyérpíritót.
13. Ne emelje fel és ne helyezze át használat közben a kenyérpíritót, ha az csatlakoztatva van a hálózathoz.
14. Ez a készülék nem vezérelhető külső időzítővel vagy egy önálló távirányítós rendszerrel.
15. Csak a gyártó által megengedett tartozékokat szabad használni, ellenkező esetben fennáll a sérülések és anyagi károk veszélye.
16. Legyen óvatos a kenyérpíritó használatánál, mert nagyon felhevül, és a külső felület felforrósodik használat közben. **NE ÉRINTSE MEG** a külső felületet használat alatt, főleg a píritó nyílások környékén.

17. A kenyér meggyulladhat; a készülék ezért nem használható függönyök vagy más gyúlékony anyagok közelében vagy alatt.
18. Működés folyamán nem szabad a vezetéket vagy más tárgyakat a pirító nyílásaira helyezni.
19. Ne próbálja meg kiemelni a kenyeret a készülékből pirítás közben.
20. A kenyérkiemelő karnak a készülék csatlakoztatása előtt és után „UP (fel)” pozíción kell lennie.
21. Ne dugjon fémtárgyakat és más eszközöket a kenyérpírítóba, mert fennáll az áramütés vagy tűzképződés veszélye.
22. Ne használja a készüléket, ha megsérült a csatlakozódugó vagy a vezeték, ha a készülék nem működik rendesen, leesett, vagy víz, esetleg más folyadék került bele.
23. Rendszeresen ellenőrizni kell a vezetéket sérülések szempontjából. A sérült vezetéket az áramütés veszélye miatt csak a gyártó, forgalmazó, márkaszerviz vagy egy képzett szakember cserélheti ki.
24. Ügyeljen, hogy a vezeték ne lógjon az asztal éles széle mellett és ne érintkezzen forró felületekkel.
25. Válassza le a készüléket a tápellátásról, ha nem használja, valamint tisztítás és javítás előtt is.
26. Az áramütés veszélye miatt ne merítse a kenyérpírító vezetékét, csatlakozódugóját vagy bármelyik más részét vízbe vagy más folyadékba.
27. A készüléket tilos vízbe meríteni, mert bármilyen érintkezés egy elektronikus résszel hibás működést és áramütést okozhat. Ne használja vizes kézzel a készüléket.
- 28. NE HASZNÁLJA A SZABADBAN A KENYÉRPÍRÍTÓT.**
29. A készülék leválasztásánál a hálózatról fogja meg szilárdan a csatlakozódugót és húzza ki a dugaljából.
- 30. NE HÚZZA MEG MAGÁT A VEZETÉKET.**
31. Soha ne használja a készüléket, ha az bármilyen módon megsérült.
32. Valamennyi javítást egy képzett villanyszerelőnek kell elvégeznie. A rosszul kivitelezett javítások veszélyeztetik a felhasználót.
33. Ha továbbadja a készüléket egy harmadik személynek, mindig adja át ezt az útmutatót is.
34. Ne merítse vízbe a készüléket a tisztításnál.
35. Tartsa távol a készüléket és a vezetéket 8 évnél fiatalabb gyermekektől.
36. A sérült vezetéket az áramütés veszélye miatt csak a gyártó, forgalmazó, márkaszerviz vagy egy képzett szakember cserélheti ki.
37. A kenyér meggyulladhat; a készülék ezért nem használható függönyök vagy más gyúlékony anyagok közelében vagy alatt.
38. A készülék felülete nagyon felforrósodhat használat folyamán.
39. A készüléket nem használhatják gyerekek és korlátozott fizikai, érzékszervi vagy szellemi képességű felnőttek, ha nem rendelkeznek megfelelő tapasztalatokkal, és nem ügyel rájuk egy, a biztonságukért felelős személy. Ügyelni kell a gyerekekre, hogy ne játszanak a készülékkel.
40. A készüléket csak akkor használhatják 8 évnél idősebb gyermekek és korlátozott fizikai, érzékszervi vagy szellemi képességű felnőttek, ha felügyelnek rájuk, és egy, a biztonságukért felelős személy elmagyarázta nekik a készülék helyes használatát.
41. A tisztítást és ápolást nem végezhetik gyermekek felügyelet nélkül.



A készülék felülete nagyon felforrósodhat használat közben.

A készülék villanyárammal működik. Helyezze egy megfelelő és földelt dugalj közelébe, és csatlakoztassa az elektromos hálózathoz egy földelő huzallal ellátott vezetékkel.

Gondoskodjon arról, hogy a helyi elektromos hálózat értékei megfeleljenek a készülék követelményeinek (220 - 240 V AC, 50/60 Hz, 8 A).

- Nyomatékosan javasoljuk egy maradékárammal szabályozott biztonsági megszakító beszerelését (r.c.c.b.) az elektromos hálózatba 30 mA maximális névleges maradék üzemeltetési árammal. Kétségek esetén forduljon segítségért és további információkért egy villanyszerelőhöz.
- Különböző országokban eltérő szabványok vonatkozhatnak az elektromos hálózatok paramétereire. Előfordulhat, hogy egy külföldi elektromos hálózat paraméterei nem felelnek meg a készülék biztonságos használatára vonatkozó követelményeknek. Ezért egy külföldi használat esetén győződjön meg arról, hogy a készülék használata biztonságos.
- Ne használjon elosztó dugaljakat, külső időzítőt, távvezérlő rendszereket és hosszabbító kábelt. Az elektromos aljzatnak könnyen hozzáférhetőnek kell lennie, hogy bármilyen rendellenesség vagy veszély esetén azonnal le lehessen választani a készüléket a hálózatról.

MŰSZAKI ADATOK

Tápellátás: 220 - 240 V ~ 50 / 60 Hz

Teljesítmény: 800 - 950 W

Ha le szeretné választani a készüléket, először kapcsolja a vezérlőt „OFF” helyzetre és csak azután húzza ki a csatlakozódugót a dugaljból.

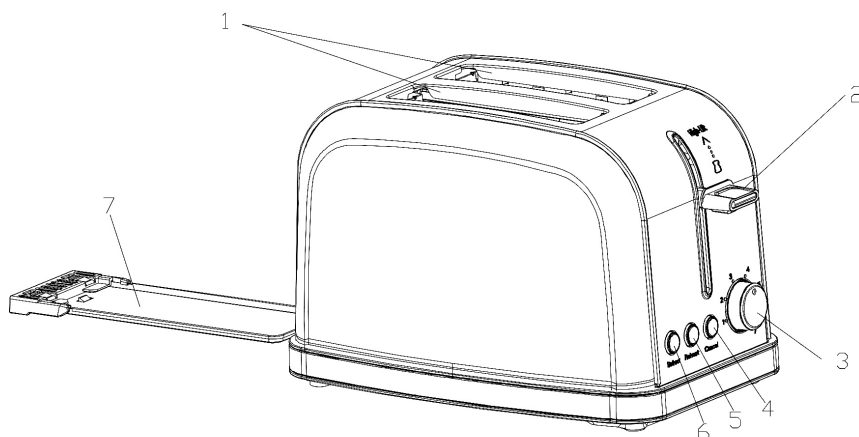
Válassza le a készüléket az elektromos hálózatról, ha nem fogja használni, valamint tisztítás előtt is. Egy tartozék felhelyezése vagy eltávolítása előtt hagyja kihűlni a készüléket.

Ne helyezze a készüléket egy forró gáz – vagy villanytűzhelyre vagy egy ilyen közelébe, vagy egy forró sütőbe.

Áramütés veszélye végett a készüléket tisztítás előtt le kell választani az elektromos hálózatról.

Őrizze meg ezt az útmutatót

2. A KÉSZÜLÉK RÉSZEI



1. Kenyérsütő nyílások
2. Kenyérkiemelő kar magasra emelő funkcióval
3. Pírtást szabályozó tárcsa (1-7)
4. „Cancel”(Törlés) gomb
5. „Reheat” (Ismételt melegítés) gomb
6. „Defrost” (Leolvasztás) gomb
7. Morzsátálca

ÜZEMBE HELYEZÉS ELŐTT

Óvatosan emelje ki a kenyérpírtót a dobozból. Vegye ki az összes csomagolást a sütőnyílások belsejéből. Helyezze a kenyérpírtót egy szilárd, biztonságos, száraz és egyenes munkafelületre, minél távolabb a felület szélétől. Csatlakoztassa egy megfelelő elektromos aljzathoz és gondoskodjon arról, hogy a vezeték ne lógjon le a munkafelület szélén.

A kenyérpírtó első használatánál enyhe szag lehet érezhető a fűtőtestek melegedésénél. Az első alkalommal, üzembe helyezésnél használja a készüléket üresen, kenyér vagy félbevágott zsemle behelyezése nélkül.

HASZNÁLAT ÉS ÁPOLÁS

Kenyérsütő nyílások és kar

Üzembe helyezés előtt győződjön meg arról, hogy a kar felső állásban van.

Az ételmiszert soha nem szabad erőszakkal a nyílásokba nyomni. A kenyérnek lazán a vezető huzalok közé kell csúsznia. Ne helyezzen vajjal megkent kenyeret a pírtóba, mert ez tüzet okozhat.

Szabályozótárcsa

A szabályozótárcsa szabályozza a kenyér vagy félbevágott zsemle sütési fokozatát – azaz a pírtós színét. Alacsonyabb beállításon a pírtós világosabb lesz, magasabb beállításon pedig sötétebb.

A sütési fokozatot még a kenyér vagy zsemle pírtása előtt kell beállítani.

A szabályozótárcsa beállítása előtt gondoljon arra, hogy a száraz és vékony szelet kenyér hamarabb megpirul, ezért ilyen esetben alacsonyabb beállításra lesz szükség. A nedves, vastagabb szelet kenyér és félbevágott zsemle magasabb beállítást igényel.

A sütés törlése funkció

A sütési folyamat bármikor megállítható a „Cancel” gomb megnyomásával.

A kenyérkiemelő kar automatikusan megemeli a kenyeret vagy félbevágott zsemlét pírtás után és a sütés törlését jelző ikon kialszik. A sütési ciklus megszakításához még annak befejezése előtt meg kell nyomni a „Cancel” gombot.

Ismételt melegítés funkció

A pirítósz felmelegítésére szolgál sütés nélkül.

A funkció aktiválása vagy kikapcsolása a „Reheat” gombbal történik.

1. Helyezze a kenyeret vagy félbevágott zsemlet a kenyérsütő nyílásokba.
2. Tolja le a kart, amíg a helyére kattant, és nyomja meg a „Reheat” gombot.
3. Felvilágít a „Cancel” és a „Reheat”.
4. Ha a pirítósz felmelegedett, a kenyérkiemelő kar automatikusan megemeli a pirítósz és mindkét ikon kialszik. A ciklus megszakításához még annak befejezése előtt bármikor meg lehet nyomni a „Cancel” gombot.
5. Amennyiben a sütési ciklus első 30 másodpercén belül aktiválásra kerül a „Reheat” gomb, a sütés melegítésre változik.
6. Ha már több, mint 30 másodperce tart a sütési folyamat, 5 másodperccel a „Reheat” megnyomása után befejeződik a sütési ciklus.

Leolvasztás funkció

A leolvasztás funkció lehetővé teszi kenyér vagy félbevágott zsemle sütését egyenesen a fagyasztóból. A kenyérpirító meghosszabbítja a sütési időt, hogy a kenyér először kiolvadjon.

A funkció aktiválása vagy kikapcsolása a „Defrost” gombbal történik.

1. Helyezze a kenyeret vagy félbevágott zsemlet a kenyérsütő nyílásokba és állítsa a szabályozótárcsát a kívánt beállításra.
2. Tolja le a kart, amíg a helyére kattant, és nyomja meg a „Defrost” gombot.
3. Felvilágít a „Cancel” és a „Reheat”.
4. Ha a kenyér vagy félbevágott zsemle megpirult, a kenyérkiemelő kar automatikusan megemeli a kenyeret vagy félbevágott zsemlet és mindkét ikon kialszik. A sütési ciklus megszakításához még annak befejezése előtt bármikor meg lehet nyomni a „Cancel” gombot.
5. Amennyiben a sütési ciklus befejezése előtt aktiválásra kerül a „Defrost” gomb, a sütés melegítésre változik.
6. Ha a leolvasztás ciklus a beállított pirítási idő alatt zajlott, a „Defrost” megnyomása után befejeződik a leolvasztás funkció és 5 másodperc múlva véget ér a sütési ciklus.

Zsemlemelegítő feltét

Ne használja a zsemlemelegítő feltétet fagyasztott, vajas, krémes, jeges vagy töltött zsemlek melegítéséhez.

Hajtsa le a zsemlemelegítő feltét lábait fentről lefelé.

Helyezze a kenyérpirítóra a zsemlemelegítő feltétet és csúsztassa a feltét lábait a nyílásokba.

Helyezzen zsemlet a zsemlemelegítő feltétre.

Állítsa be az 1. sütési fokozatot.

Tolja le a kenyérkiemelő kart.

A kar felemelkedése után vegye ki a felmelegített zsemlet.

Ne érjen a zsemlemelegítő feltét fémhuzalaihoz – forrók lesznek.

A kenyérpirító szokásos használata előtt tisztítsa meg a morzsatálcát.

Magasra emelés funkció

A magasra emelés funkció kis darab kenyér vagy szemle sütésénél használatos. A pirítás befejezése után húzza fel a kart az alapállásból, így a pirítósz kiemelkedik és könnyebb kivenni a készülékből.

3. HA ELAKAD A PIRÍTÓS

A beakadt kenyér vagy félbevágott zsemle kiemeléséhez nem szabad kést vagy más eszközt használni, mert a kenyérpirító megsérülhet és veszélyt jelenthet a felhasználóra nézve.

1. Válassza le a kenyérpirítót a hálózatról.
2. Hagyja teljesen kihűlni a kenyérpirítót.
3. Fordítsa meg és finoman rázza meg a kenyérpirítót.

4. TISZTÍTÁS

Soha nem szabad durva, csiszoló vagy illékony szert használni a tisztításhoz. Tisztítsa meg a külső felületet egy nedves ronggyal, majd gondosan törölje szárazra. Minden tisztítószer egy rongyra kell felvinni, nem pedig közvetlenül a készülékre.

5. A MORZSÁK ELTÁVOLÍTÁSA

A morzsák eltávolításához húzza ki a morzsatálcát és távolítsa el a kenyérmorzst. Tisztítsa meg és helyezze vissza a tálcát. A morzsa eltávolítása előtt ellenőrizze, hogy a kenyérpirító kihűlt és le van választva az elektromos hálózatról. A kenyérpirítót nem szabad behelyezett morzsatálcával használni — használat előtt helyezze vissza a morzsatálcát.

6. KÖRNYEZETBARÁT SELEJTÉZÉS

Ez az ikon azt jelenti, hogy a készülék nem selejtezhető a háztartási hulladékkal együtt. A felelősségteljes hulladékselejtezés és a nyersanyagok újrahasznosítása megelőzi az esetleges negatív kihatásokat a környezetre és az emberi egészségre. Szállítsa el a helyi gyűjtőtelepre a selejtezésre szánt régi készüléket. Részletes információkkal a helyi hivatal vagy a hulladékgyűjtő telep is szolgálhat. Adja le a készüléket a gyűjtőtelepen, ahol gondoskodnak majd a környezetbarát selejtezésről.

A CSOMAGOLÓANYAG SELEJTEZÉSÉRE VONATKOZÓ SZABÁLYOK ÉS TUDNIVALÓK

A csomagolóanyagokat nyilvános hulladék-értékesítő telepekre kell szállítani.

A HASZNÁLT ELEKTROMOS ÉS ELEKTRONIKUS KÉSZÜLÉKEK SELEJTEZÉSE



Ez az ikon azt jelenti, hogy a készülék az EU államaiban nem selejtezhető a háztartási hulladékkal együtt. A felelősségteljes hulladékselejtezés és a nyersanyagok újrahasznosítása megelőzi az esetleges negatív khatásokat a környezetre és az emberi egészségre. Szállítsa el a helyi gyűjtőtelepre a selejtezésre szánt régi készüléket, vagy lépjen kapcsolatba a termék viszonteladójával, aki egy új termék vásárlása esetén ugyancsak átveheti Öntől a készüléket, és gondoskodik majd a termék helyes és biztonságos selejtezéséről. Részletes információkkal a helyi hivatal vagy a hulladékgyűjtő telep is szolgálni tud. A nem megfelelő selejtezés büntetést vonhat maga után az állami előírások és szabványok értelmében.

Jogi személyek az EU területén

Az elektromos vagy elektronikus készülék selejtezése előtt forduljon segítségért az eladóhoz vagy forgalmazóhoz.

Selejtezés nem EU államokban

Az elektromos vagy elektronikus készülék selejtezése előtt forduljon segítségért a helyi hivatalhoz vagy a termék forgalmazójához.



Ez a termék megfelel az EU valamennyi vonatkozó irányelvének.

A gyártó fenntartja a szöveg, dizájn és műszaki adatok előzetes figyelmeztetés nélküli változtatásának jogát.