



Instructions for use  
STICK BLENDER  
WITH VACUUM ATTACHMENT

## STICK BLENDER WITH VACUUM ATTACHMENT



SB 810

**STICK BLENDER  
WITH VACUUM  
ATTACHMENT**

## TABLE OF CONTENTS

4	Catler recommends safety first
8	Know your SB 810 blender
10	Assembly and disassembly of your SB 810 blender
18	Operating your SB 810 blender
21	Care and cleaning
23	Troubleshooting

## CATLER RECOMMENDS SAFETY FIRST

We understand the importance of safety and that's why we put your safety first from the initial design concept to the production itself. Nevertheless, please be careful and follow the instructions below when using this appliance.

- This appliance is not to be used by children. Keep this appliance and its power cord out of children.
- The appliances may be used by persons with physical, sensory or mental impairments or by inexperienced persons only if they are properly supervised or have been informed about how to use of the product in a safe manner and understand the potential dangers.
- Children must not play with the appliance.
- Cleaning and maintenance performed by the user must not be performed by children.
- If the power cord is damaged, ask the authorised service for a replacement in order to prevent hazards. It is forbidden to use the appliance with the power cord damaged.
- Incorrect use may lead to the risk of injury.
- Please pay special attention when handling the cutting blades, especially when removing the blades from the container, emptying the container and during cleaning.

- Wash the blender parts that came into contact with food in warm water with a small amount of washing-up liquid. Rinse and wipe dry.
- Always disconnect the appliance from the power socket if you are leaving it unattended and before assembly, disassembly or cleaning.
- Before replacing the accessories or accessible movable parts, please turn the appliance off and disconnect it from the power supply.
- Before using the appliance for the first time, please remove all packaging and ad stickers and discard them in an environmentally safe manner. Check the appliance for any defects. Under no circumstances should you use a damaged appliance or an appliance with a damaged power cord etc.
- Before operating your appliance, read all the instructions carefully and store them in a safe place for possible future reference.
- To eliminate the risk of small children suffocating, remove the protective cover of the power plug from this appliance and dispose of it safely.
- Before connecting this appliance to a power socket, make sure the voltage stated on the product's rating label corresponds to the voltage in your power socket.
- Do not disconnect the appliance from the power socket by pulling the power cord. This could damage the power cord or the power socket. Disconnect the cord from the power socket by pulling the plug.
- Do not connect or disconnect the appliance power cord to or from the power socket with wet hands.
- Keep the power cord dry. Never use the appliance in the near vicinity of a bath, shower or swimming pool.
- To prevent possible electric shock, do not expose the appliance or its power cord to dripping or splashing water, or immerse it in water or other liquids.
- Before connecting your appliance to a power outlet and turning it on, make sure it's fully and correctly assembled. This is especially true for removable blades of the stick attachment. Always make sure that the blade is properly attached to the stick attachment and the nut is tightened. Follow the instructions provided in this user's manual. Do not use the appliance if the blade is loose or incorrectly fitted. There is a serious risk of loosening the blade, damaging the appliance and causing serious injuries.
- Do not use the appliance if it is not working correctly, if it has been damaged or has been submerged in water.
- Always switch off the appliance and unplug it after use.

- This appliance is designed for use in households, offices and similar types of areas. Do not use it in an industrial environment, outdoors or in rooms with high humidity, such as laundry or bathrooms.
- Do not use the appliance for purposes other than those for which it was designed.
- Only use the appliance with original accessories from the manufacturer. Never use accessories, which have not been supplied with this appliance or which have not been explicitly recommended by the manufacturer.
- Do not operate your blender continuously with large batches for longer than 1 minute. Allow the motor to rest for at least 3 minute between each use. Always observe the maximum level line when filling.
- Do not blend carbonated drinks and they may run high.
- If the food gets stuck around the blade unit, release the switch and wait until the blade unit has come to a complete stop. Then, unplug the power cord from the socket and use a spoon or a spatula to remove the food from the knife unit. Never use your fingers because the knives are very sharp.
- Keep your hands, fingers, garments, spoons and other kitchenware out of the appliance during operation. Always turn the appliance off and unplug the power cord from the socket and wait until the blades have stopped. Avoid contact with moving parts.
- Do not remove accessories from the motor unit during operation.
- Use your blender only for making food and/or drinks. Do not turn on the blender when empty.
- Do not process hot or boiling liquids. Allow them to cool before processing.
- Do not expose any parts or accessories to extreme temperatures.
- Use the air extraction attachment for a maximum of 1 minute. In the case of continuous operation, follow only the instructions described in this manual.
- The mayonnaise preparation attachment is exclusively intended for making mayonnaise. Do not use it for any other purposes than those for which it was designed.
- Do not expose the appliance to direct sunlight or place it near naked flames or appliances that generate heat, such as electric and gas cookers.
- Only place the appliance on a clean, dry, flat and stable surface. Do not place the appliance on the edge of a kitchen worktop or table top or use it on the sink drip tray. Also, do not place the appliance on window sills.
- A power outlet must be easily accessible for possible sudden disconnection.
- Do not use this appliance with a programmable switch, timer switch or any other device that automatically switches the appliance on.
- Do not place any objects on the appliance. Do not climb or sit on it.
- Protect the appliance and accessories from falling to the ground or on a table, even from a small height, and from objects falling on them.
- Do not handle the appliance while it's in operation.
- Keep children and pets away when the appliance is in use.
- Never leave the appliance in operation without supervision.
- Do not use harsh abrasive or caustic detergents to clean the appliance.
- Keep your appliance clean. Follow the cleaning instructions provided in this user's manual.
- Do not store or use any explosive and/or flammable substances inside or in the vicinity of this appliance, such as flammable gas sprays.

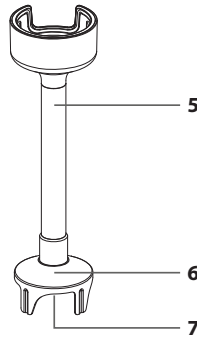
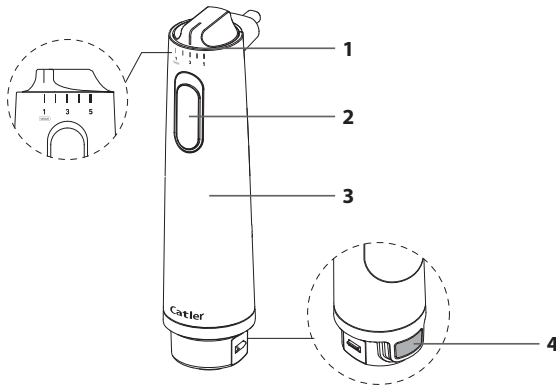
## **IMPORTANT SAFETY INSTRUCTIONS FOR USING ELECTRICAL EQUIPMENT**

- Fully unwind the power cord before use. Connect the appliance only to a properly grounded socket.
- Do not leave the power cord hanging over the edge of a table or countertop or allow it to touch a hot surface or to become tangled up.
- For safety reasons, we recommend to connect the appliance in an independent electrical circuit separated from other appliances. Do not use adapter plugs or extension cords to connect the appliance to a power outlet.
- Do not use this appliance in moving vehicles or on boats, outdoors, or for any purpose other than intended. Otherwise, there is a risk of personal injury.
- Any maintenance other than standard cleaning must be performed at authorised Catler service centre. To avoid the risk of electric shock, do not repair and/or make any adjustments to the appliance by yourselves.
- We recommend to install a residual current device (standard safety switches in your power outlet) to provide a higher level of protection when using the appliance. We recommend to install a residual current device (with a nominal residual operating current of no more than 30mA) in the electric circuit in which your appliance is to be connected. For further expert advice, please contact your electrician.

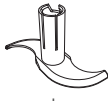
The user's manual is also available at [www.catler.eu](http://www.catler.eu).

# KNOW YOUR SB 810 BLENDER

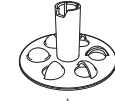
## STICK BLENDER



8



9



10



11

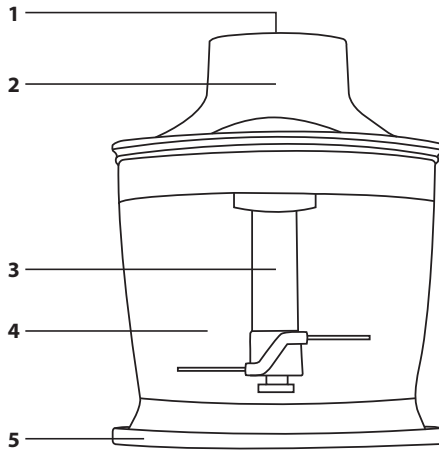


12

1. Speed control
2. Power on/off switch
3. Motor unit
4. Accessory release button
5. Stick attachment
6. Blade protective cover
7. Shaft for blade mounting
8. Multifunctional cutting blade - provided with a layer of titanium in gold colour
9. Grinding blade
10. Whipping knife - used mainly for preparation of mayonnaise
11. Blade remover
12. Storage box

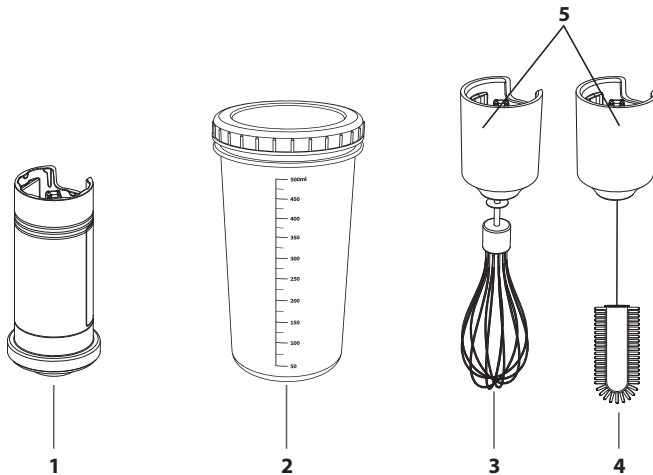


## CHOPPER



1. Place for mounting the motor unit
2. Lid
3. Chopping knife
4. Chopping container with a volume of 0.5l
5. Anti-skid base

## ACCESSORIES



1. Vacuum attachment
2. Mayonnaise making attachment
3. Whisk
4. Cleaning brush
5. Adapter for attaching a whisk or cleaning brush to the motor unit (2 pcs in the package)

## ASSEMBLY AND DISASSEMBLY OF YOUR SB 810 BLENDER

You can attach selected accessories to the motor unit and use the appliance as:

1. Stick blender - attach the stick attachment.
2. Chopper - attach the motor unit to the chopper lid.
3. Whisk - attach the whisk.
4. Vacuum sealer - attach the vacuum attachment.
5. Cleaning tool - attach the cleaning brush.

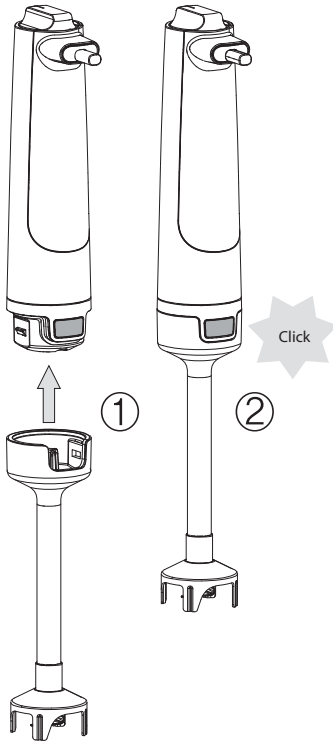


**WARNING!  
BEFORE  
ASSEMBLING OR  
DISASSEMBLING  
THE APPLIANCE,  
ENSURE THAT THE  
IT'S POWERED  
OFF AND THE  
POWER PLUG IS  
DISCONNECTED  
FROM THE MAINS  
POWER SOCKET.**

# STICK BLENDER

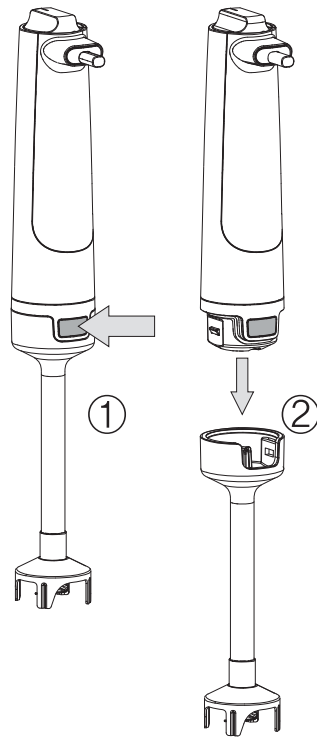
## ASSEMBLY

Attach the stick attachment to the motor unit until you hear a click. Make sure that the stick attachment is properly attached and does not move.



## DISASSEMBLY

If you need to remove the stick attachment, first press the accessory release button and then pull down to remove the stick attachment.

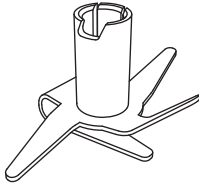


## INSERTING THE BLADE

The SB 810 stick blender comes with three blades that allow you to process different types of food quickly and efficiently.

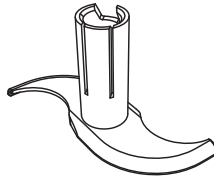
### MULTIFUNCTION CUTTING BLADE

Suitable for mixing, chopping vegetables (carrots, tomatoes, etc.), ice, etc.



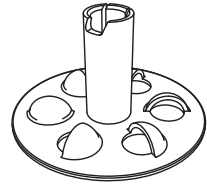
### GRINDING BLADE

Mincing meat, fish, etc.



### WHIPPING KNIFE

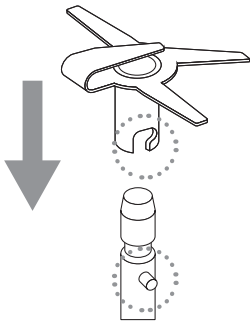
Whipping eggs, making mayonnaise, etc.



**WARNING!**  
**WHEN HANDLING THE BLADES, BE VERY CAREFUL NOT TO GET INJURED WITH THEIR EDGE. MISHANDLING MAY LEAD TO SERIOUS INJURIES.**

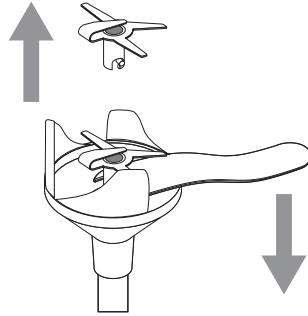
## INSERTING THE BLADE

Turn the stick attachment upside down. Place the selected blade on the shaft so that the cutout in the blade is aligned with the shaft tip. You will hear a click sound to indicate the correct position of the knife. Then turn the blade clockwise until the tip on the shaft stops at the edge of the blade cutout.



## REMOVING THE BLADE

Always use the supplied tool to remove the blade from the shaft. Turn the stick attachment upside down. Slightly turn the blade counterclockwise until the shaft tip is approximately in the middle of the knife cutout. Insert the blade remover under the knife blades and use it as a lever to release the knife from the shaft. Carefully remove the knife from the shaft.

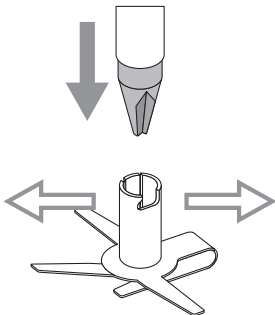


### NOTE

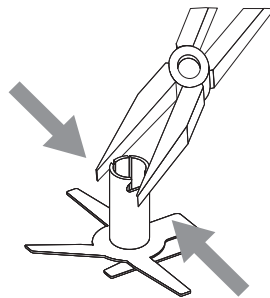
Keep the blades out of the reach of children in the storage box.

During use, the knife walls may deform slightly. This is normal.

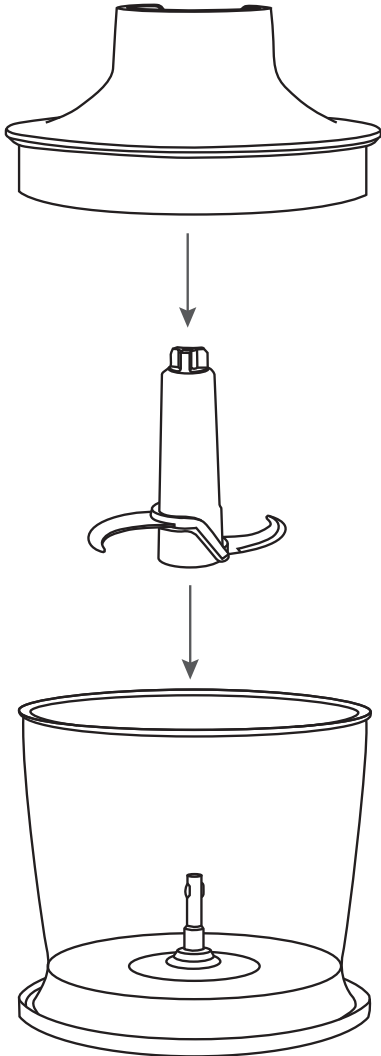
If you need to spread the walls, use a small screwdriver with a flat end and insert it into the knife - see the picture below.



If, on the other hand, you need to pull the walls together, use pliers and carefully pull the walls together - see the picture below.



## CHOPPER



To assemble the chopper, first place the chopping knife on the shaft in the centre of the container. Then place the lid on the container and attach the motor unit. When disassembling or inspecting processed food, first press the accessory release button and then pull up to remove the motor unit. Remove the lid and then the chopping knife from the container.

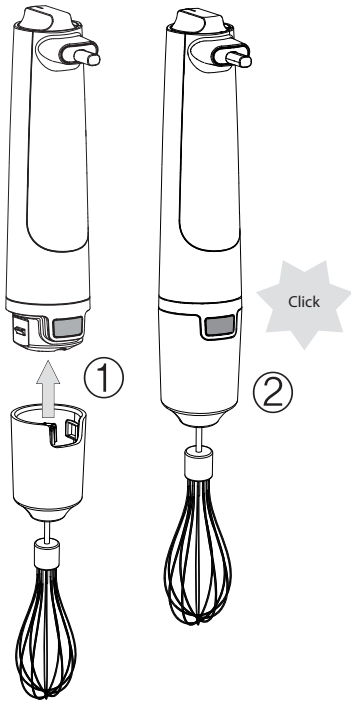


**WARNING!**  
**THE CHOPPING**  
**KNIFE IS VERY SHARP.**  
**TAKE EXTRA CARE**  
**WHILE HANDLING.**  
**ONLY USE THE**  
**UPPER PART OF THE**  
**CHOPPING KNIFE**  
**WHEN HANDLING.**

# WHISK

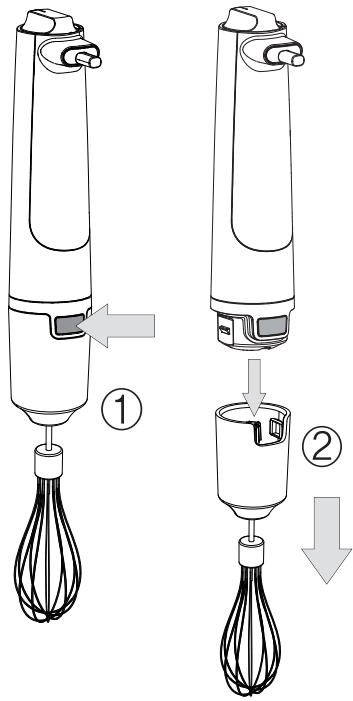
## ASSEMBLY

Insert the whisk into the hole in the adapter until you hear a click. Attach the whisk to the motor unit until you hear a click. Make sure that the whisk is properly attached and does not move.



## DISASSEMBLY

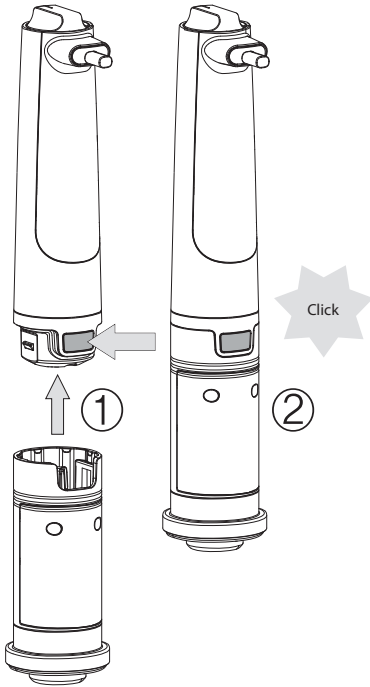
If you need to remove the whisk, first press the accessory release button and then pull down to remove the whisk. Grasp the adapter with one hand and the whisk with the other. Push to release the whisk from the adapter.



## VACUUM SEALER

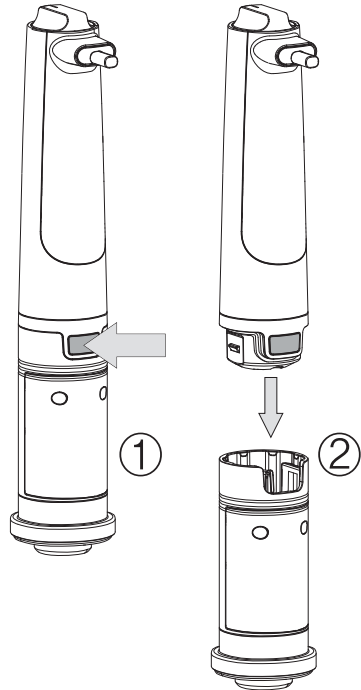
### ASSEMBLY

Attach the vacuum attachment to the motor unit until you hear a click. Make sure that the vacuum attachment is properly attached and does not move.



### DISASSEMBLY

If you need to remove the vacuum attachment, first press the accessory release button and then pull down to remove the vacuum attachment.

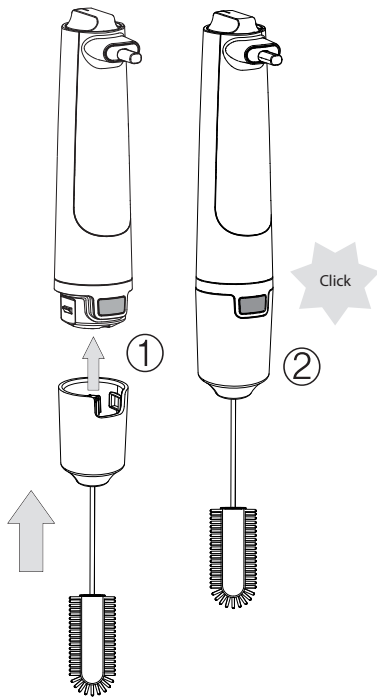




## CLEANING TOOL

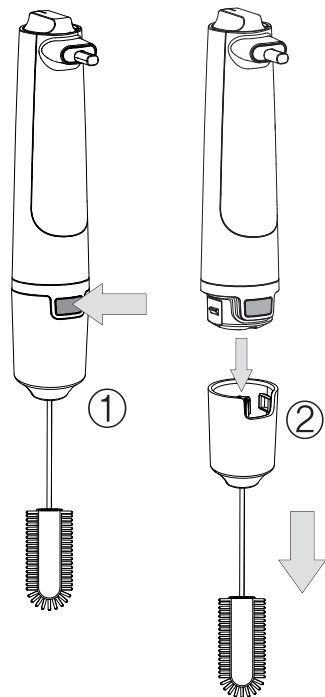
### ASSEMBLY

Insert the cleaning brush into the hole in the adapter until you hear a click. Attach the cleaning brush to the motor unit until you hear a click. Make sure that the cleaning brush is properly attached and does not move.



### DISASSEMBLY

If you need to remove the cleaning brush, first press the accessory release button and then pull down to remove the cleaning brush. Grasp the adapter with one hand and the cleaning brush with the other. Push to release the cleaning brush from the adapter.



## OPERATING YOUR SB 810 BLENDER

### BEFORE FIRST USE

Before first use, remove all packaging and advertising labels / stickers from the appliance. Be sure to remove all accessories from the package material.

Wipe the blender parts with a soft sponge slightly moistened in warm water. Dry with a clean cloth. Never immerse these parts in water or wash them in the dishwasher.

Blender parts to be wiped only with a sponge:

- Motor unit
- Stick attachment
- Storage box
- Chopper lid
- Vacuum attachment
- Adapters

Wash the parts of the blender listed below in warm water with a small amount of washing-up liquid.

Rinse in clean water and wipe dry. Blender parts to be washed in water:

- Multifunction cutting knife
- Grinding blade
- Whipping blade
- Blade remover
- Chopping blade
- Chopping bowl with an anti-slip mat
- Mayonnaise preparation attachment
- Whisk
- Cleaning brush



**WARNING!**  
**ALWAYS BE CAREFUL WHEN HANDLING THE BLADES. THE BLADES ARE VERY SHARP. MISHANDLING MAY LEAD TO SERIOUS INJURIES.**

#### NOTE

No part of your blender is suitable for dishwasher use.

### USING

1. Assemble your blender according to the intended purpose of use - see chapter "**ASSEMBLY AND DISASSEMBLY OF YOUR BLENDER SB 810**" for more information.
2. Always make sure that the surface on which the food container to be processed is placed is flat, stable and clean.
3. Turn the control knob to set the required food processing speed. You can also change the speed during operation. You can set the speed from "1" (lowest) to "5" (highest).
4. Press the switch to start the blender. It is necessary to keep the switch pressed throughout the food processing. When the switch is released, the blender will power off automatically.
5. If you need to check the condition of the processed food, release the switch and wait until the blender has stopped

- completely. Then, unplug the power cord from the mains socket.
6. If you use the appliance as a stick blender, whisk or cleaning tool, always wait until the blender has come to a complete stop before removing the attachment from the processed food. Doing so while running will pose a risk of food splashing.
  7. If you use the appliance as a chopper, insert the chopping knife into the container first and then the food.
  8. Always put food in the chopper in a chilled condition. Never process hot food.
  9. In order to process food faster and more efficiently, we recommend cutting it into pieces of the same size.
  10. If any blender accessory is equipped with a maximum fill line, never fill food above this line.  
There is a risk of processed food overflowing and damaging the appliance. In addition, food may not be processed evenly.
  11. If you process a larger amount of food, divide it into smaller parts. Use the blender continuously for a maximum of 1 minute. Then let it rest for 3 minutes. You can repeat this up to 3 times. Then you need to let the blender rest longer.
  12. The mayonnaise container is specially designed for the preparation of mayonnaise, do not use it for other purposes.

## SPEED OVERVIEW TABLE

Accessories	Purpose of use	Speed	Processing time
<b>Stick Blender</b>			
- Multifunction cutting knife	Mixing, chopping and mincing meat, vegetables or ice	1-5	Max. 60 seconds
- Grinding blade	Grinding meat, fish, etc.	1-5	Max. 60 seconds
- Whipping knife	Whipping eggs, preparing mayonnaise, etc.	1-5	Max. 60 seconds
Chopper	Chopping meat, herbs, nuts, etc.	1-5	Max. 60 seconds
Whisk	Whipping egg whites, cream, whipped cream, etc.	1-5	Max. 60 seconds
Vacuum attachment	Vacuumping air from special containers or bags	1	Max. 60 seconds
Cleaning tool	Cleaning bottles, tall containers, mayonnaise attachments, etc.	1-3	10– 20 seconds

**NOTE**

We recommend setting the lowest speed and gradually increasing it as needed during processing. The values in the table are only recommended and may vary from case to case.

**VACUUM ATTACHMENT**

If you use a blender with a vacuum attachment, always make sure that the protective rubber cap is inserted in the vacuum attachment before using it. Never use the vacuum attachment without a protective rubber cap.

The protective vacuum cap is two-sided. Insert the cap into the vacuum attachment depending on whether you are vacuuming air from a special vacuum container or a special vacuum bag.

If you are going to extract air from the container, the wider end of the cap must face outwards.

If you are going to extract air from the bag, the narrower end of the cover must point outwards.



*Wider end of the cap suitable for extracting air from the container*



*The narrower end of the cap is suitable for extracting air from the bag*

Set speed "1" and press hold down the switch. You can use the vacuum attachment for a maximum of 1 minute.



**WARNING!**  
**NEVER**  
**USE A SPEED**  
**HIGHER THAN "1".**  
**OTHERWISE THERE IS**  
**A RISK OF SERIOUS**  
**DAMAGE TO THE**  
**APPLIANCE.**

## CARE AND CLEANING

Before cleaning the appliance, always disconnect the plug of the power cord from the mains socket and let it to cool down properly.



**WARNING!  
DO NOT  
WASH THE MOTOR  
UNIT, MAINS  
CORD AND PLUG  
UNDER RUNNING  
WATER AND DO  
NOT IMMERSE IT  
IN WATER OR ANY  
OTHER LIQUID.**



**CAUTION!  
DO NOT USE  
SHARP OBJECTS,  
CHEMICALS,  
THINNERS, PETROL  
OR OTHER SIMILAR  
SUBSTANCES. UNDER  
NO CIRCUMSTANCES  
SHOULD THE  
APPLIANCE BE  
CLEANED WITH  
A STEAM CLEANER.**

Wipe the blender parts with a soft sponge slightly moistened in warm water. Dry with a clean cloth. Never immerse these parts in water or wash them in the dishwasher.

Blender parts to be wiped only with a sponge:

- Motor unit
- Stick attachment
- Storage box
- Chopper lid
- Vacuum attachment
- Adapters

Wash the parts of the blender listed below in warm water with a small amount of washing-up liquid. Rinse in clean water and wipe dry.

Blender parts to be washed in water:

- Multifunction cutting knife
- Grinding blade
- Whipping blade
- Blade remover
- Chopping knife
- Chopping bowl with an anti-slip mat
- Mayonnaise preparation attachment
- Whisk
- Cleaning brush

If you need to quickly remove food residue around the multifunction chopping knife, grinding blade or whipping knife, immerse the stick blender in a container of clean water and run the blender for 20–30 seconds.

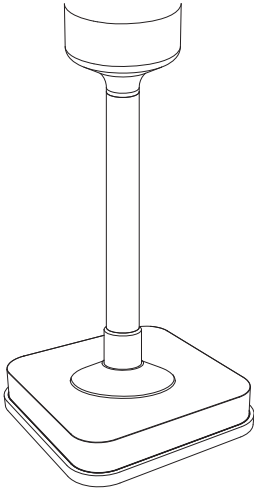
In a similar way, you can remove food residues even from the chopping knife.

Pour clean water (approx. 250–300 ml) into the chopper bowl and run the chopper for 20–30 seconds.

## STORAGE

Before storing, make sure that the appliance is clean, dry and completely cooled down. Store it in a well-ventilated dry place out of reach of children and animals.

Insert two chopping knives in the storage box. Place the third one on the stick attachment and insert it into the hole in the middle of the storage box - see the picture below.



## TROUBLESHOOTING

This chapter describes the most common problems you may encounter while using this appliance. If your problem is either not stated here or persists, stop using the appliance, unplug the power cord and contact your authorized service centre.

**UNDER NO CONDITION SHOULD YOU REPAIR OR DISASSEMBLE THE APPLIANCE YOURSELVES.**

**THE APPLIANCE CONTAINS NO USER SERVICEABLE PARTS.**

<b>Problem</b>	<b>Possible solution</b>
The motor unit works, but the stick blade knife does not rotate.	You have not cleaned the blender for a long time and the shaft is clogged with food residues. Unplug the stick attachment and immerse it in warm water for about 30 minutes. Then run the blender for 20-30 seconds.
It is not possible to set the air extraction speed.	When extracting air, the mixer uses a stable speed, the lowest. Turn the dial to "1" and do not change it under any circumstances.
One of the blades of the multifunction knife is bent.	This is a purposeful bending of the blade. This ensures faster and more efficient food processing.
The knife slides off the shaft in the stick attachment.	The knife neck is too wide. Using pliers, gently push it inwards.
The blender turned itself off during use.	The blender automatically shuts off during operation if the overheat protection has been activated. This is activated if you use the blender for too long or process too much food. This is a normal safety feature to protect the motor unit from damage. Unplug the power cord from the mains socket and allow the appliance to cool down for 3-4 minutes.

## INSTRUCTIONS AND INFORMATION ON DISPOSING OF USED PACKAGING MATERIALS

Dispose of used packaging material at a site designated for waste in your municipality.

## DISPOSING OF USED ELECTRICAL AND ELECTRONIC EQUIPMENT



This symbol on products or original documents means that used electric or electronic products must not be added to ordinary municipal waste. For proper disposal and recycling, take these products to designated collection points. Or in some European Union states or other European countries the products can be returned to the local retailer when buying an equivalent new product. Disposing of this product correctly helps save valuable natural resources and prevents damage to the environment by improper waste disposal. Ask your local authorities or collection facility for more details. In accordance with national regulations penalties may be imposed for the incorrect disposal of this type of waste.

### **For business entities in European Union states**

If you want to dispose of electric or electronic devices, ask your retailer or supplier for the necessary information.

### **Disposal in other countries outside the European Union**

This symbol is valid in the European Union. If you wish to dispose of this product, request the necessary information about the correct disposal method from the local council or from your retailer.



This product meets all the basic requirements of the applicable EU directives.



Safety class for electric shock protection:

Class II – Electric shock protection is provided by double or heavy-duty insulation.

The text, design and technical specifications may be changed without prior notice and we reserve the right to make these changes.

The original version is in the Czech language.

Manufacturer's address: FAST ČR, a.s., U Sanitasu 1621, Říčany CZ-251 01



# STICK BLENDER WITH VACUUM ATTACHMENT

Because of continuous improvement of design and other properties, your product may slightly differ from the one shown on the pictures in this manual.

Z dôvodu neustáleho zdokonaľovania dizajnu a ďalších vlastností sa môže vámi zakúpený výrobek mírně lišit od výrobku uvedeného na obrázcích v tomto návodu.

Z dôvodu neustáleho zdokonaľovania dizajnu a ďalších vlastností sa môže vámi kúpený výrobok mierne líšiť od výrobku uvedeného na obrázkoch v tomto návode.

A kivitel és más jellemzők állandó fejlesztése miatt a megvásárolt termék enyhén eltérhet az ezen útmutatóban található képeken mutatott terméktől.

Ze względu na ciągłe udoskonalanie designu i innych właściwości, zakupiony produkt może się nieznacznie różnić od produktu przedstawionego na rysunkach w niniejszej instrukcji.

Из-за постоянного улучшения дизайна и других свойств ваш продукт может немного отличаться от представленного на рисунках в данном руководстве.



[WWW.CATLER.EU](http://WWW.CATLER.EU)