



**FIELDMANN®**  
Home & Garden Performance

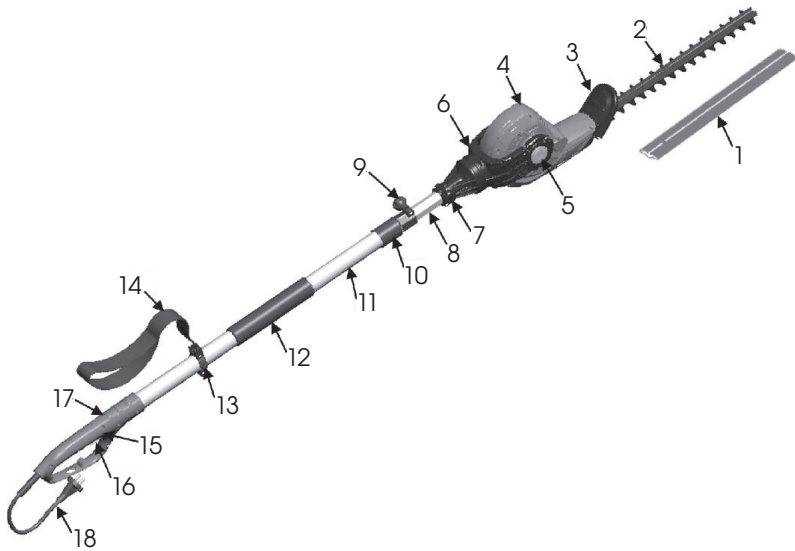


FZN 6005-E

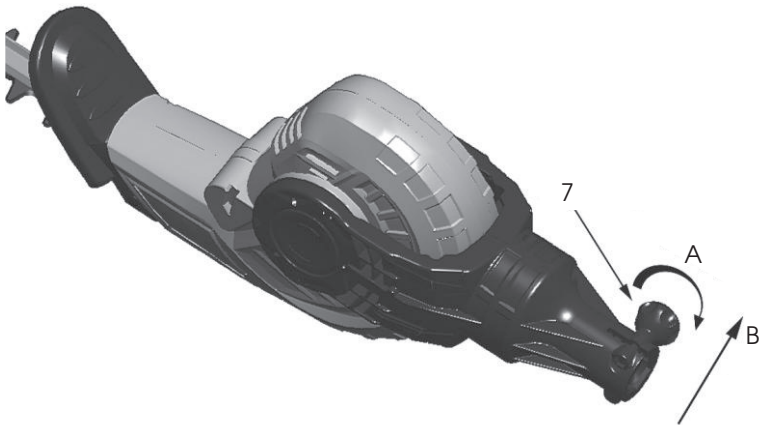
---

English .....	7
Čeština .....	21
Slovenčina .....	35
Magyarul .....	49
Polski .....	63

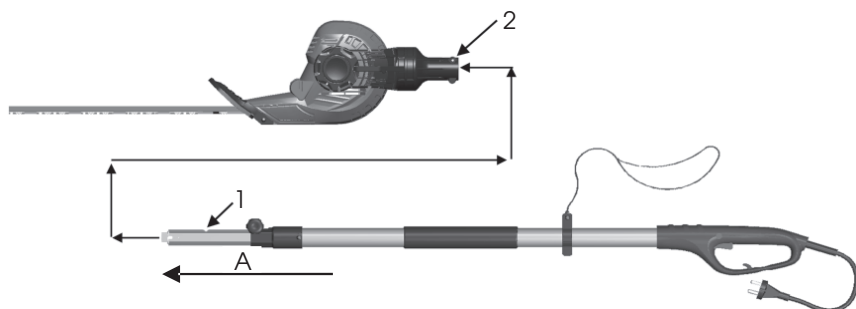
1



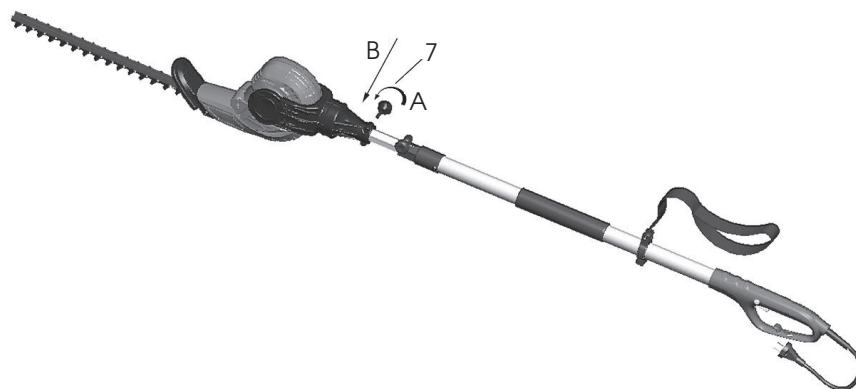
2



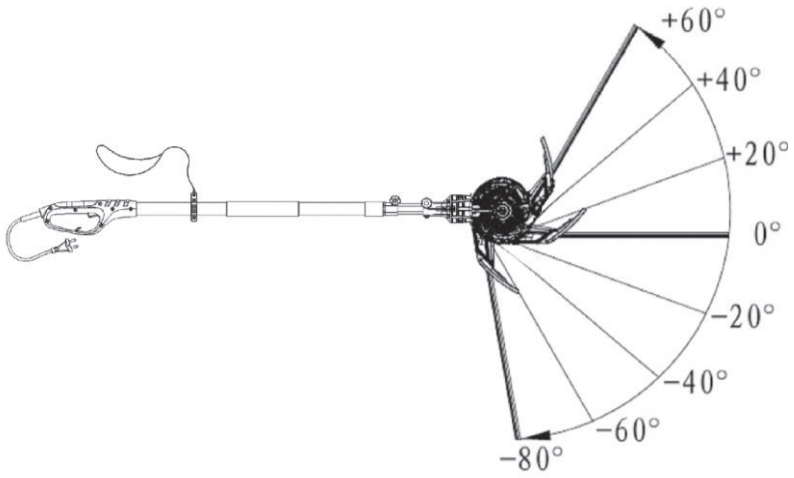
3



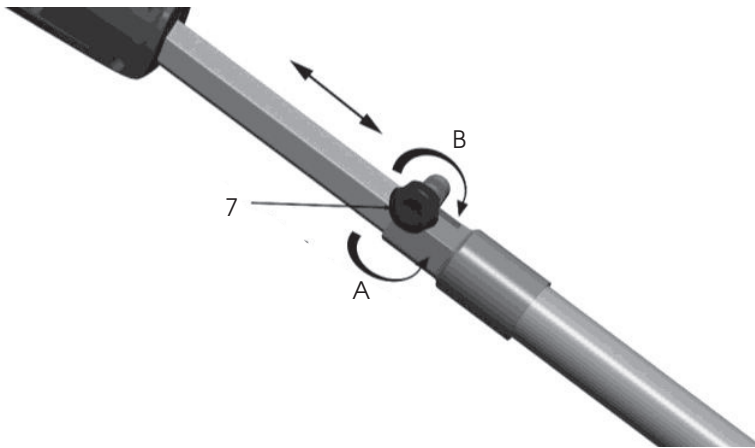
4



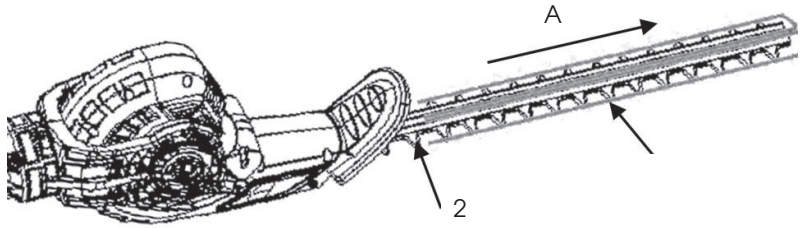
5



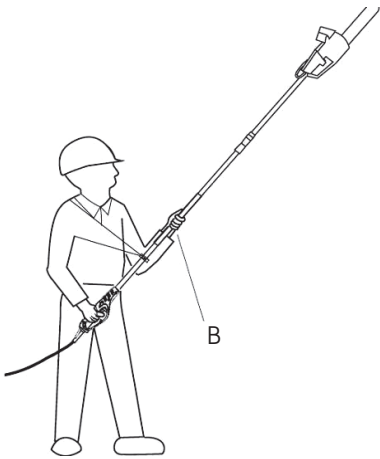
6



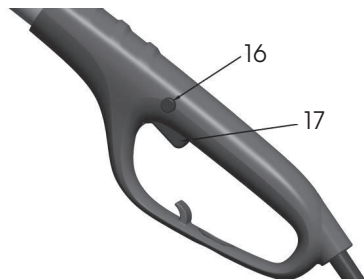
7



8



9



# Telescopic Hedge Trimmer

## **OPERATING INSTRUCTIONS**

### TABLE OF CONTENTS

PICTURE ANNEX .....	3
1. GENERAL SAFETY REGULATIONS .....	8
Important safety instructions	
Packaging	
User manual	
2. SYMBOLS .....	9
3. MACHINE DESCRIPTION AND PACKAGE CONTENT .....	10
4. SAFETY INSTRUCTIONS .....	11
5. WHERE TO USE ELECTRIC TELESCOPIC HEDGE TRIMMER .....	15
6. ASSEMBLY OF THE TOOL .....	16
7. OPERATION .....	16
8. MAINTENANCE .....	17
9. STORAGE .....	17
10. TECHNICAL DATA .....	18
11. DECLARATION OF CONFORMITY .....	19
12. DISPOSAL .....	20
WARRANTY CERTIFICATE, WARRANTY TERMS .....	78 - 78

# 1. GENERAL SAFETY INSTRUCTIONS

## Important safety warnings


- ✿ Unpack the product carefully and be sure not to throw away any part of the package before having found all components of the product.
- ✿ Keep the product in a dry place out of reach of children.
- ✿ Read all cautions and instructions. The failure to adhere to warning cautions and instructions may result in an accident, fire and/or a serious injury.

## Packaging

The product is placed in a package preventing damage during transport. This package is a raw material therefore it can be handed-over for recycling.

## Instructions for use

Before beginning to work with the machine, read the following safety rules and instructions for use. Familiarize with operating elements and the proper use of the device. Keep the manual in a safe place for future reference. We recommend keeping the original package including the inner packaging materials, cash voucher and guarantee card for a period of warranty at minimum. For a case of transportation, pack the machine into the original box from the manufacturer, thus ensuring a maximum protection of the product during a possible transport (e.g. moving or sending into a service station).

-  **Note:** If you hand the machine over to next persons, hand it over together with the manual. Adherence to the attached instructions for use is a precondition for the proper use of the machine. The operation manual includes also instructions for operation, maintenance and repairs.

**The manufacturer does not take any responsibility for accidents or damages resulting from the failure to adhere to this manual.**



## 2. SYMBOLS



WARNING!



Read carefully the tool's operating instructions and make sure you have understood all instructions, familiarized yourself with the tool's controls and know which control is intended for each particular function.



If the cable is cut or damaged, immediately remove the power cable from the socket.



Do not expose the tool to rain. Do not leave the tool outside if it is raining.



We recommend using eye protection.



Use ear protection.



Wear work gloves.



Beware of falling branches.

### 3. MACHINE DESCRIPTION AND PACKAGE CONTENT

#### Machine Description (see Fig. 1)

- |                          |                    |
|--------------------------|--------------------|
| 1. Blade scabbard        | 10. Locking bush   |
| 2. Cutting blades        | 11. Rear handle    |
| 3. Protective shield     | 12. Grip area      |
| 4. Motor                 | 13. Clamp          |
| 5. Head adjusting button | 14. Shoulder strap |
| 6. Connecting handle     | 15. Safety lock    |
| 7. Arresting element     | 16. switches       |
| 8. Front handle          | 17. Switch         |
| 9. Arresting element     | 18. Plug           |

## Package Content

Remove the machine carefully from the packaging and check the completeness of the following parts:

- ✿ Hedge trimmer
- ✿ Cutting bar
- ✿ Blade scabbard
- ✿ Shoulder strap
- ✿ Instructions for use

# 4. SAFETY INSTRUCTIONS

**⚠ ATTENTION!** ATTENTION! For safety reasons, the hedge trimmer may not be operated by persons under 16 years of age and by persons not familiarized with information contained in this manual. Persons with reduced mental or physical abilities may operate the hedge trimmer only if they are under supervision of a responsible person or have been trained by a qualified responsible person.

**⚠ ATTENTION!** In case of improper use, this power tool may be dangerous. Follow warning and safety instructions specified in the instruction manual; only this way you will ensure adequate safety and efficiency when working with this tool. The compliance with the warning and safety instructions specified in this instruction manual and on the tool is the responsibility of the tool operator. Never use the tool unless the protective guards mounted by the tool manufacturer are in the correct position.

## Basic safety instructions when working with power tools

**⚠ ATTENTION!** WARNING! Familiarize yourself with all the warning and safety instructions and with the tool operating instructions. Failure to adhere to warning or safety instructions may result in electric shock, fire and/or serious injury

**⚠ ATTENTION!** Keep all the warning and safety instructions in a practical place for future reference.

The term "power tool" in all warning instructions specified hereafter means both mains-operated (corded) and battery-operated (cordless) power tool.

## Work area safety

- ✿ Keep work area clean and well lit. Cluttered or dark areas at the workplace invite accidents.
- ✿ Do not operate power tools in explosive atmospheres, such as in the presence of flammable liquids, gases or dust. Power tools create sparks which may ignite the dust or fumes.
- ✿ Keep children and bystanders away while operating a power tool. Distractions can cause you to lose control over the activity performed.

## Electrical safety

- ✿ Power tool plugs must match the mains outlet. Never modify the plug in any way. Do not use any adapter plugs with earthed (grounded) power tools. Unmodified plugs and matching outlets will reduce the risk of electric shock.
- ✿ Avoid body contact with earthed or grounded surfaces, such as pipes, radiators, ranges and refrigerators. There is an increased risk of electric shock if your body is earthed or grounded.
- ✿ Do not expose power tools to rain or wet conditions. Water entering a power tool will increase the risk of electric shock.
- ✿ Do not abuse the cord. Never use the cord for carrying, pulling or unplugging the power tool. Keep cord away from heat, oil, sharp edges or moving parts. Damaged or entangled cords increase the risk of electric shock.
- ✿ When operating a power tool outdoors, use an extension cord suitable for outdoor use. Use of a cord suitable for outdoor use reduces the risk of electric shock.
- ✿ If operating a power tool in a damp location is unavoidable, use a residual current device (RCD) protected supply. Use of residual current device (RCD) reduces the risk of electric shock.

## Personal safety

- ✿ Stay alert, watch what you are doing and use common sense when operating a power tool. Do not use a power tool while you are tired or under the influence of drugs, alcohol or medication. A moment of inattention while operating power tools may result in serious personal injury.
- ✿ Use personal means of protection. Always wear eye protection. Safety equipment such as dust mask, non-skid safety shoes, hard hat, or hearing protection used in conformity with the working conditions will reduce personal injuries.
- ✿ Avoid accidental starting. Ensure the switch is in the off-position before connecting the battery, storing or carrying the power tool. Carrying power tools with your finger on the switch or plugging in power tools that have the switch on invites accidents.
- ✿ Remove any adjusting tools or wrenches before turning the power tool on. An adjusting tool or wrench left attached to a rotating part of the power tool may result in personal injury.
- ✿ Do not overreach. Keep proper footing and balance at all times. This enables better control of the power tool in unexpected situations.
- ✿ Dress properly. Do not wear loose clothing or jewellery. Keep your hair, clothing and gloves away from moving parts. Loose clothes, jewellery or long hair can be caught in moving parts.
- ✿ If devices are provided for the connection of dust extraction and collection facilities, ensure these are connected and properly used. Use of these devices can reduce dust-related hazards.

## Power tool use and maintenance

- ✿ Do not force the power tool. Use the correct power tool for your application. The correct power tool will do the job better and safer at the rate for which it was designed.
- ✿ Do not use the power tool if the switch does not turn it on and off. Any power tool that cannot be controlled with the switch is dangerous and must be repaired.
- ✿ Unplug the power cord from the mains outlet and/or remove the battery from the power tool before making any adjustments, changing accessories, or storing power tools. Such preventative safety measures reduce the risk of starting the power tool accidentally.
- ✿ Store idle power tools out of the reach of children and do not allow persons unfamiliar with the power tool or these instructions to operate the power tool. Power tools are dangerous in the hands of untrained users.
- ✿ Maintain power tools. Check for misalignment or binding of moving parts, pay particular attention to cracks, breakage of parts and any other condition that may affect the power tool's operation. If damaged, have the power tool repaired before use. Many accidents are caused by poorly maintained power tools.
- ✿ Keep cutting tools sharp and clean. Properly maintained cutting tools with sharp cutting edges are less likely to bind and are easier to control.
- ✿ Use the power tool, accessories and tool bits etc., in accordance with these instructions and in the manner intended for the particular type of power tool, taking into account the given working conditions and the work to be performed. Use of the power tool for operations other than those for which the power tool is intended could result in hazardous situations.

## Service

- ✿ Have your power tool serviced by a qualified repair person using only original replacement parts. This will ensure that the safety of the power tool is maintained.

## Safety instructions when working with electric hedge trimmer

- ✿ Keep all parts of the body away from the cutter blade. Do not remove cut material or hold material to be cut when blades are moving. Make sure the main switch is off when clearing the material jammed in the hedge trimmer. A moment of inattention while operating the hedge trimmer may result in serious personal injury.
- ✿ Carry the hedge trimmer by the handle with the cutter blade stopped. Always fit the blade scabbard while transporting or storing the hedge trimmer. Proper handling of the telescopic hedge trimmer will reduce possible personal injury from the cutter blades.
- ✿ Hold the power tool by insulated gripping surfaces only to avoid contact of the cutter blades of the hedge trimmer with hidden electric wires or its own power cord. Cutter blade contacting "live" wire may expose metal parts of the power tool "live" and could give the operator an electric shock.
- ✿ Keep the power cord away from the cutting area. During operation the cable may be hidden in shrubs and may be accidentally cut by the blade.

## Additional safety instructions

- ✿ Work area safety Use power tools solely in the manner and for the purpose described in these operating instructions. The operator or user of the tool is fully responsible for possible accidents or potential danger to other persons or their property.

## Electrical safety

- ✿ To increase safety, the British Standards Institute recommends using residual current device (RCD) protected supply with tripping current of 30mA or less when operating power tools. Before each use of the power tool check the function of the residual current device. Before use check the integrity of the power cord. If the cord shows signs of wear and tear or damage, replace it.
- ✿ Do not use the tool, if the cables are damaged or worn out.
- ✿ If the cord is cut or its insulation is damaged, immediately de-energize the tool. Do not touch the cable until the device is de-energized.
- ✿ Keep the cable straight and untangled. Entangled cables may overheat and reduce the performance of your tool.
- ✿ Before unplugging the power cord or extension cord, always first switch off the tool using the mains switch.
- ✿ Switch off the tool, unplug the cable and before winding and storing the cable check whether it is not excessively worn out or damaged. Do not repair damaged cable, always replace it by a new one.
- ✿ Wind the cable carefully to prevent kinking.
- ✿ To power the tool, use exclusively alternating voltage power network with parameters matching the information on the tool's type label.
- ✿ Under no circumstances connect any part of the tool to an earth wire.

## Cables

- ✿ Use only extension cables approved according to HD 516 standard.
- ✿ Seek a technician - electrician.

## Personal safety

- ✿ Always wear appropriate work clothing, protective gloves and solid shoes.
- ✿ Before cutting, inspect the shrubs thoroughly and remove any foreign objects and wires.
- ✿ When adjusting the tool (rotating the cutting unit, tilting the cutter, etc.), fit the blade scabbard first. During these operations the hedge trimmer may not lean against the cutting blade.
- ✿ Each time before you start using the tool and after any impact which occurred during cutting check for possible hedge trimmer wear and tear or damage and have it repaired, if necessary.
- ✿ Before commencing work with the electric telescopic hedge trimmer, always make sure that the hand protection shield is attached in the correct position.
- ✿ Never use tool which is incomplete or tool which was modified in an unauthorised manner.

## Power tool use and maintenance

- ✿ Familiarize yourself with instructions for quick emergency power off of the tool.
- ✿ Never carry the tool while holding the blade scabbard.
- ✿ Never use the hedge trimmer if its protective elements (hand protection shield, both-hand safety switch, blade scabbard, cutting blade emergency switch) are damaged.
- ✿ Never use ladder while operating the hedge trimmer.
- ✿ Unplug the power cord:
  - before leaving the tool unattended for any period of time,
  - before cleaning any material jammed in the cutting blade,
  - before any inspection, cleaning or maintenance of the tool,
  - after contact of the cutting tool with a foreign object.Do not operate the tool unless you are certain of its absolutely safe operating condition,
  - if the tool starts to unusually vibrate. In such case, check the tool immediately. Excessive vibration may result in injury.
  - before handing the tool over to another person.

## Maintenance and storage

- ⚠ **ATTENTION!** DANGER OF INJURY! Do not touch the cutting blades.
- ⚠ **ATTENTION!** After completion or interruption of work, lift the blade scabbard.
- ✿ Keep all nuts and bolts properly tightened to ensure safe operation of the tool.

# 5. WHERE TO USE ELECTRIC TELESCOPIC HEDGE TRIMMER

## Correct method of use

- ✿ The electric hedge trimmer is intended for trimming hedges and shrubs in private properties and gardens.
  - ✿ Observing the instructions specified in this manual is a precondition for correct use of the hedge trimmer.
- ⚠ **ATTENTION!** DANGER OF INJURY!  
It is prohibited to use the hedge trimmer for lawn mowing/trimming or for cutting material for the purposes of composting.

## 6. ASSEMBLY OF THE TOOL

- ✿ Loosen the arresting element (7) on the connecting handle (see Fig. 2).
- ✿ Insert the rear handle into the front part in the direction (A) (see Fig. 3). Make sure the groove (1) (groove 1 on the front pole) snapped into the slot (2) (slot 2 in the connecting handle).
- ✿ Insert the arresting element (7) in the direction (B) into a threaded hole (see Fig. 4) and screw it tight in the direction (A). Make sure the connection is properly tightened.

## 7. OPERATION


### Adjusting trimmer head angle

- ✿ The trimmer head can be adjusted up to 8 different working angles.
- ✿ With one hand press the adjusting button PUSH and turn the trimmer head into the desired position. After releasing the button, the trimmer head is automatically locked in the set position (see Fig. 5).

### Adjusting telescopic pole length

The electric hedge trimmer is equipped with a telescopic pole the length of which ranges from 1.85 m (fully retracted) up to 2.45 m (fully extracted). The locking bush with arresting element will ensure sufficient strength of the pole in any length.

- ✿ To extend the pole, loosen the arresting element (7) in the direction (A) (see Fig. 6). The pole can be easily extracted.
- ✿ Pull the front part of the pole and extract it up to the desired length.

 **Note:** Always extend the pole only up to the minimum length required for cutting the particular shrubbery.

- ✿ To lock the pole in the position, tighten the arresting element (7) in the direction (B) (see Fig. 6).

### Starting the hedge trimmer

- ✿ Remove the blade scabbard (1) in the direction (A) from the cutting blades (2) (see Fig. 7).
- ✿ Adjust the trimmer head to the desired position and the pole to the desired length.
- ✿ Plug the power cord to the outlet.
- ✿ Grasp the hedge trimmer pole with your both hands. Hold the pole at prescribed grip areas (B) and use the supporting shoulder strap. (see Fig. 8) Hold the pole firmly. The thumbs and fingers must firmly wrap both the pole and the handle of the tool.
- ✿ Stand so that you are stable and balanced. Stand with your legs apart. Distribute your weight evenly on both feet.



- ✿ As soon as you are ready to trim, press the trigger lock (16) and subsequently the actual tool switch (17) (see Fig. 9). The hedge trimmer starts. Once the switch is released, the hedge trimmer stops. Before starting trimming, the hedge trimmer must always be running.
- ✿ When cutting, place the moving cutting blade near the branch. Hold the electric hedge trimmer in a stable position.
- ✿ After the cut, remove the hedge trimmer from the cutting point at full speed. Release the switch and stop the hedge trimmer. Before turning the pole down to the ground make sure the cutting blades have stopped.

## 8. MAINTENANCE

### Cleaning the hedge trimmer

**⚠ ATTENTION!** Danger of injury / electric shock!

Before any tool maintenance, always unplug the tool from power supply and fit the blade scabbard. Do not clean the electric hedge trimmer under running water (particularly not pressure water).

- ✿ Wipe the electric hedge trimmer using wet cloth.
- ✿ Lubricate the hedge trimmer blade using a low-viscosity lubricant. Make sure the lubricant does not come in contact with plastic parts.

## 9. STORAGE

**⚠ ATTENTION!** Store the electric hedge trimmer out of the reach of children .

- ✿ Unplug the power cord from the hedge trimmer.
- ✿ Clean the hedge trimmer according to the instructions in Chapter 7 Maintenance and fit the blade scabbard.
- ✿ Store the electric hedge trimmer in a dry place without the frost risk.

## 10. TECHNICAL DATA

Voltage/Frequency	230V-240V/50Hz
Power	450 W
Cutting blade tooth pitch	16 mm
Blade speed	1600/min
Sound power level LWA	measured 94 dB(A)/guaranteed 100 dB(A)
Vibrations hand/arm, weighted root-mean-square acceleration	< 2,5 m/s <sup>2</sup>
Total length	1,9 m - 2,5 m
Cutting blade length	460 mm
Weight	3,7 Kg
Maximum cutting diameter	16mm
Trimmer head angle adjustment	+60° to -80°

The User's Manual is in a specific language version.

# 11. DECLARATION OF CONFORMITY

**Product / brand:** ELECTRIC HEDGE TRIMMER / FIELDMANN

**Type / model:** FZN 6005-E ..... 230V, 450W, 50Hz, Class II

**The product is inline with regulations listed below:**

- \* EC Directive for Noise 2000/14/ES
- \* EC Council Directive 2006/42/EC Machinery
- \* EC Directive for Electromagnetic Compatibility (EMC) No.2004/108/EC
- \* EC Directive for RoHS 2002/95/EC

**and norms:**

EN 60745-1:2009+A11:2010  
 EN 60745-2-15:2009+A1:2010  
 EN ISO 10517:2009  
 EN 55014-1:2006+A1:2009+A2:2011  
 EN 55014-2:+A1:2001+A2:2008  
 EN 61000-3-2:2006+A1:2009+A2:2009  
 EN 61000-3-3:2008

CE label: .....14

Company FAST ČR, a.s. is authorized to act on behalf of manufacturer.

**Manufacturer:**

FAST ČR, a.s.  
 Černokostelecká 2111, 100 00 Praha 10, Czech Republic  
 VAT no: CZ26726548

**Place of issuance:** Prague

**Name:** Ing. Zdeněk Pech

Chairman of the Board

**Date of issuance:** 7.5.2014 Signature:

**FAST** FAST ČR, a.s.  
 Černokostelecká 1621, 251 01 Píšťany  
 IČO: 26726548 tel.: +420/ 323 204 111  
 DIČ: CZ26726548 fax: +420/ 323 204 110



## 12. DISPOSAL

### **INSTRUCTIONS AND INFORMATION ON DISPOSAL OF USED PACKAGING.**

Put any used package material to the place determined by the municipality for waste disposal.

### **DISPOSAL OF USED ELECTRIC AND ELECTRONIC EQUIPMENT**



This symbol on products or accompanying documents means that used electric or electronic products must not be put to ordinary municipal waste. Hand over such products to determined collection points for proper disposal, restoration and recycling. Alternatively, in some countries of the European Union or other European countries you can return your products to your local dealer when you buy an equivalent new product. By dutiful disposal of this product you can preserve precious natural resources and you help prevent any potential adverse effects on the environment and human health which could be the results of wrong waste disposal. Ask your local authority or the nearest collection point for additional details. In case of improper disposal of this waste kind penalties can be imposed in accordance with national regulations.

#### **For companies in the European Union countries**

Should you want to dispose of electric and electronic devices, ask your dealer or vendor for necessary information.

#### **Disposal in other countries outside the European Union**

Should you want to dispose of this product, ask your local authorities or your dealer for necessary information about disposal method.



This product fulfils all basic requirements of the EU directives that apply to it.

Text, design and technical specifications can change without prior notice and we reserve the right for their change.

# Teleskopické plotové nůžky

## NÁVOD K OBSLUZE

### OBSAH

OBRAZOVÁ PŘÍLOHA .....	3
1. VŠEOBECNÉ BEZPEČNOSTNÍ PŘEDPISY .....	22
Důležitá bezpečnostní upozornění	
Obal	
Návod k použití	
2. SYMBOLY	
3. POPIS STROJE A OBSAH DODÁVKY .....	23
4. BEZPEČNOSTNÍ POKYNY .....	25
5. KDE POUŽÍVAT ELEKTRICKÉ TELESKOPICKÉ NŮŽKY NA ŽIVÝ PLOT .....	30
6. SESTAVENÍ NÁŘADÍ .....	30
7. PROVOZ .....	30
8. ÚDRŽBA .....	31
9. SKLADOVÁNÍ .....	32
10. TECHNICKÉ ÚDAJE .....	32
11. PROHLÁŠENÍ O SHODĚ .....	33
12. LIKVIDACE .....	34
ZÁRUČNÍ LIST, ZÁRUČNÍ PODMÍNKY .....	78 - 79

# 1. VŠEOBECNÉ BEZPEČNOSTNÍ PŘEDPISY

## Důležitá bezpečnostní upozornění


- ✿ Výrobek pečlivě vybalte a dejte pozor, abyste nevyhodili žádnou část obalového materiálu dříve, než najdete všechny součásti výrobku.
- ✿ Výrobek uchovávejte na suchém místě mimo dosah dětí.
- ✿ Čtěte všechna upozornění a pokyny. Zanedbání při dodržování varovných upozornění a pokynů mohou mít za následek úraz elektrickým proudem, požár a/nebo těžká poranění.

## Obal

Výrobek je umístěn v obalu bránícím poškozením při transportu. Tento obal je surovinou a lze jej proto odevzdat k recyklaci.

## Návod k použití

Než začnete se strojem pracovat, přečtěte si následující bezpečnostní předpisy a pokyny k používání. Seznamte se s obslužnými prvky a správným používáním zařízení. Návod pečlivě uschovejte pro případ pozdější potřeby. Minimálně po dobu záruky doporučujeme uschovat originální obal včetně vnitřního balicího materiálu, pokladní doklad a záruční list. V případě přepravy zabalte stroj zpět do originální krabice od výrobce, zajistěte si tak maximální ochranu výrobku při případném transportu (např. stěhování nebo odeslání do servisního místa).

-  **Poznámka:** Předáváte-li stroj dalším osobám, předejte jej společně s návodem. Dodržování přiloženého návodu k obsluze je předpokladem řádného používání stroje. Návod k obsluze obsahuje rovněž pokyny pro obsluhu, údržbu a opravy.

**Výrobce nepřebírá odpovědnost za nehody nebo škody vzniklé následkem nedodržování tohoto návodu.**

## 2. SYMBOLY



### VAROVÁNÍ!



Přečtěte si pozorně návod k obsluze náradí a ujistěte se, že jste porozuměli všem pokynům, seznámili jste se s ovladači náradí a víte, který ovladač je určen pro jakou funkci.



V případě nařiznutí či poškození kabelu ihned vytáhněte napájecí kabel ze zásuvky.



Nevystavujte náradí dešti.  
Nenechávejte náradí venku, pokud prší.



Doporučujeme používat ochranu zraku.



Používejte ochranu sluchu.



Používejte pracovní rukavice.



Pozor na padající větve.

## 3. POPIS STROJE A OBSAH DODÁVKY

### Popis stroje (viz obr. 1)

- |                             |                           |
|-----------------------------|---------------------------|
| 1. Ochranný kryt            | 10. Upínací pouzdro       |
| 2. Stříhací lišta           | 11. Zadní násada          |
| 3. Ochranný štít            | 12. Oblast úchopu         |
| 4. Motor                    | 13. Spona                 |
| 5. Tlačítko nastavení hlavy | 14. Ramenní popruh        |
| 6. Spojovací rukojeť        | 15. Bezpečnostní pojistka |
| 7. Aretační prvek           | 16. spínače               |
| 8. Přední násada            | 17. Spínač                |
| 9. Aretační prvek           | 18. zástrčka              |

### Obsah dodávky

Stroj vyjměte opatrně z obalu a zkontrolujte, zda jsou následující díly kompletní:

- ✿ Nůžky
- ✿ Střížná lišta
- ✿ Kryt lišty
- ✿ Ramení popruh
- ✿ Návod k použití



## 4. BEZPEČNOSTNÍ POKYNY

**⚠ POZOR!** Z bezpečnostních důvodů nesmí elektrické nůžky na plot obsluhovat osoby mladší 16 let a osoby, které se neseznámily s informacemi uvedenými v tomto návodu. Osoby se sníženými mentálními či fyzickými schopnostmi mohou elektrické nůžky na živý plot obsluhovat pouze v případě, že jsou pod dozorem odpovědné osoby nebo byly proškoleny kvalifikovanou odpovědnou osobou.

**⚠ POZOR!** V případě nesprávného použití může být toto elektrické nářadí nebezpečné. Dodržujte výstražné a bezpečnostní pokyny, uvedené v návodu k obsluze; jen tak zajistíte odpovídající úroveň bezpečnosti a efektivity při práci s tímto nářadím. Za dodržování výstražných a bezpečnostních pokynů, uvedených v tomto návodu k obsluze a na nářadí, odpovídá obsluha nářadí. Nikdy nepoužívejte nářadí, pokud nejsou ochranné kryty, namontované výrobcem nářadí, ve správné poloze.

### Základní bezpečnostní pokyny pro práci s elektrickým nářadím

**⚠ POZOR! VAROVÁNÍ!** Seznamte se se všemi výstražnými a bezpečnostními pokyny a s pokyny pro obsluhu nářadí. Nedodržení výstražných či bezpečnostních pokynů může vyústit v úraz elektrickým proudem, vznik požáru a/nebo vážný úraz

**⚠ POZOR!** Všechny výstražné a bezpečnostní pokyny si uložte na praktické místo pro budoucí použití.

Výrazem „elektrické nářadí“ ve všech dále uvedených výstražných pokynech je myšleno jak elektrické nářadí napájené (pohyblivým přívodem) ze sítě, tak nářadí napájené z baterií (bez pohyblivého přívodu).

### Bezpečnost pracovního prostředí

- ✿ Udržujte místo práce uklizené a dobře osvětlené. Nepořádek a tmavá místa na pracovišti bývají příčinou nehod.
- ✿ Nepoužívejte elektrické nářadí v prostředí s nebezpečím výbuchu, kde se vyskytují hořlavé kapaliny, plyny nebo prach. V elektrickém nářadí vznikají jiskry, které mohou zapálit prach nebo výpary.
- ✿ Při používání elektrického nářadí zamezte přístupu dětí a dalších osob. Budete-li vyrušováni, můžete ztratit kontrolu nad prováděnou činností.

### Bezpečnost při práci s elektrickým nářadím

- ✿ Vidlice pohyblivého přívodu elektrického nářadí musí odpovídat síťové zásuvce. Nikdy jakýmkoliv způsobem neupravujte vidlici. S nářadím, které má ochranné spojení se zemí, nikdy nepoužívejte žádné zásuvkové adaptéry. Vidlice, které nejsou znehodnoceny úpravami, a odpovídající zásuvky omezí nebezpečí úrazu elektrickým proudem.

- ✿ Vyvarujte se dotyku těla s uzemněnými předměty, jako jsou např. potrubí, tělesa ústředního topení, sporáky a chladničky. Nebezpečí úrazu elektrickým proudem je větší, je-li vaše tělo spojené se zemí.
- ✿ Nevystavujte elektrické nářadí dešti, vlhku nebo mokru. Vnikne-li do elektrického nářadí voda, zvyšuje se nebezpečí úrazu elektrickým proudem.
- ✿ Nepoužívejte pohyblivý přívod k jiným účelům. Nikdy nenoste a netahajte elektrické nářadí za přívod ani nevytrhávejte vidlici ze zásuvky tahem za přívod. Chraňte přívod před horkem, mastnotou, ostrými hranami a pohyblivými se částmi. Poškozené nebo zamotané přívody zvyšují nebezpečí úrazu elektrickým proudem.
- ✿ Je-li elektrické nářadí používáno venku, používejte prodlužovací přívod vhodný pro venkovní použití. Používání prodlužovacího přívodu pro venkovní použití omezuje nebezpečí úrazu elektrickým proudem.
- ✿ Musíte-li použít elektrické nářadí ve vlhkém prostředí, použijte v napájecím okruhu proudový chránič (RCD). Použití proudového chrániče (RCD) snižuje riziko úrazu elektrickým proudem.

## Bezpečnost osob

- ✿ Při práci s elektrickým nářadím buďte stále pozorní, sledujte, co provádíte, a používejte zdravý rozum. Nepoužívejte elektrické nářadí, jste-li unavení nebo jste-li pod vlivem drog, alkoholu nebo léků. Chvilka nepozornosti při práci s elektrickým nářadím může mít za následek vážné zranění.
- ✿ Používejte osobní ochranné pracovní pomůcky. Vždy používejte ochranu zraku. Ochranné pomůcky, např. respirátor, bezpečnostní obuv s protiskluzovou úpravou, tvrdá pokrývka hlavy nebo ochrana sluchu, používané v souladu s podmínkami práce, snižují nebezpečí poranění osob.
- ✿ Vyvarujte se neúmyslného spuštění. Před připojením k napájecímu zdroji, před připojením baterie, před uložením nebo před přenášením nářadí se ujistěte, zda je spouštěcí spínač v poloze vypnuto. Přenášení nářadí s prstem na spínači nebo zapojování vidlice nářadí se zapnutým spínačem může být příčinou nehod.
- ✿ Před zapnutím nářadí odstraňte všechny seřizovací nástroje nebo klíče. Seřizovací nástroj nebo klíč, který ponecháte připevněn k otáčející se části elektrického nářadí, může být příčinou poranění osob.
- ✿ Pracujte jen tam, kam bezpečně dosáhnete. Vždy udržujte stabilní postoj a rovnováhu. Budete tak lépe ovládat elektrické nářadí v nepředvídaných situacích.
- ✿ Oblékejte se vhodným způsobem. Nepoužívejte volné oděvy ani šperky. Dbejte, aby vaše vlasy, oděv a rukavice byly dostatečně daleko od pohyblivých se částí. Volné oděvy, šperky a dlouhé vlasy mohou být zachyceny pohyblivými se částmi.
- ✿ Jsou-li k dispozici prostředky pro připojení zařízení k odsávání a sběru prachu, zajistěte, aby taková zařízení byla připojena a správně používána. Použití těchto zařízení může omezit nebezpečí způsobená vznikajícím prachem.

## Použití elektrického nářadí a jeho údržba

- ✿ Elektrické nářadí nepřetěžujte. Používejte správné nářadí, které je vhodné pro prováděnou práci. Správné elektrické nářadí bude lépe a bezpečněji vykonávat práci, pro kterou bylo navrženo.
- ✿ Nepoužívejte elektrické nářadí, které nelze zapnout a vypnout spínačem. Jakékoliv elektrické nářadí, které nelze ovládat spínačem, je nebezpečné a musí být opraveno.
- ✿ Před seřizováním nářadí, před výměnou příslušenství, nebo pokud nářadí nepoužíváte, vytáhněte zástrčku napájecího kabelu ze zásuvky a/nebo odpojte baterii od nářadí. Tato preventivní bezpečnostní opatření omezují nebezpečí nahodilého spuštění elektrického nářadí.
- ✿ Nepoužívané elektrické nářadí ukládejte mimo dosah dětí a nedovolte osobám, které nebyly seznámeny s elektrickým nářadím nebo s těmito pokyny, aby nářadí používaly. Elektrické nářadí je v rukou nezkušených uživatelů nebezpečné.
- ✿ Provádějte údržbu elektrického nářadí. Kontrolujte seřízení pohybujících se částí a jejich pohyblivost, zaměřte se na praskliny, zlomené součásti a jakékoliv další okolnosti, které mohou ohrozit funkci elektrického nářadí. Je-li nářadí poškozeno, před dalším používáním zajistěte jeho opravu. Mnoho nehod je způsobeno nedostatečně udržovaným elektrickým nářadím.
- ✿ Řezací nástroje udržujte ostré a čisté. Správně udržované a naostřené řezací nástroje se s menší pravděpodobností zachytí za materiál nebo se zablokují a práce s nimi se snáze kontroluje.
- ✿ Elektrické nářadí, příslušenství, pracovní nástroje atd. používejte v souladu s těmito pokyny a takovým způsobem, jaký byl předepsán pro konkrétní elektrické nářadí, a to s ohledem na dané podmínky práce a druh prováděné práce. Používání elektrického nářadí k provádění jiných činností, než pro jaké bylo určeno, může vést k nebezpečným situacím.

## Servis

- ✿ Opravy vašeho elektrického nářadí svěřte kvalifikované osobě, které bude používat originální náhradní díly. Tímto způsobem bude zajištěna stejná úroveň bezpečnosti elektrického nářadí jako před opravou.

## Bezpečnostní pokyny pro práci s elektrickými nůžkami na plot

- ✿ Udržujte všechny části těla v bezpečné vzdálenosti od stříhací lišty. Jsou-li nože v pohybu, neodstraňujte nastříhaný materiál a nedržte materiál, který budete stříhat. Při odstraňování materiálu zablokovaného v elektrických nůžkách se ujistěte, zda je hlavní spínač v poloze vypnuto. Chvilka nepozornosti při práci s elektrickými nůžkami na plot může mít za následek vážné zranění.

- ✿ Přenášejte teleskopické nůžky na plot pouze za rukojeť a pouze v případě, že je stříhací lišta vypnutá. Při přepravě nebo při ukládání nůžek na plot vždy nasadte na lištu ochranný kryt. Správná manipulace s teleskopickými nůžkami omezí riziko úrazu, které hrozí při manipulaci se stříhacími lištami.
- ✿ Držte elektrické nářadí pouze za izolované plochy, protože hrozí nebezpečí, že se stříhací lišty nůžek mohou dostat do kontaktu s ukrytými elektrickými vodiči nebo s vlastním napájecím kabelem. Dostanou-li se stříhací lišty do kontaktu s živým vodičem, může dojít k přechodu napětí také na neizolované části elektrického nářadí a obsluze nářadí hrozí úraz elektrickým proudem.
- ✿ Udržujte napájecí kabel mimo prostor stříhání. Během práce může být napájecí kabel ukrytý v keřovém porostu a vy jej můžete neúmyslně přestříhnout.

### Doplňkové bezpečnostní pokyny

- ✿ Bezpečnost pracovního prostředí Elektrické nářadí používejte výhradně způsobem a výhradně k účelu popsanému v tomto návodu k obsluze. Obsluha či uživatel nářadí je plně odpovědný za případné nehody či nebezpečí, které hrozí jiným osobám či jejich majetku.

### Bezpečnost při práci s elektrickým nářadím

- ✿ Pro zvýšení bezpečnosti doporučuje Britský normalizační ústav používat při práci s nářadím napájení vybavené proudovým chráničem (RCD) s vypínacím proudem menším než 30 mA. Před každým zahájením práce s elektrickým nářadím si funkčnost proudového chrániče ověřte. Před použitím zkontrolujte celistvost napájecího kabelu. V případě, že kabel vykazuje známky opotřebení či poškození, jej vyměňte.
- ✿ Nepoužívejte nářadí v případě, že jsou kabely poškozené nebo opotřebené.
- ✿ Pokud je kabel nařiznutý nebo má poškozenou izolaci, okamžitě nářadí odpojte od napájení. Nedotýkejte se kabelu, dokud zařízení nebude odpojeno od napájení.
- ✿ Udržujte kabel nářadí natažený a nezamotaný. Zamotané kabely se mohou přehřívat a snižovat výkon vašeho nářadí.
- ✿ Před vytáhnutím zástrčky napájecího kabelu nebo prodlužovacího kabelu ze zásuvky vždy nářadí nejprve vypněte síťovým vypínačem.
- ✿ Vypněte nářadí, vytáhněte zástrčku ze zásuvky a před smotáním a uložením kabelu jej zkontrolujte, zda není příliš opotřebený či poškozený. Poškozený kabel neopravujte, vždy jej vyměňte za nový.
- ✿ Kabel smotávejte opatrně, aby na něm nevznikaly smyčky.
- ✿ Pro napájení nářadí používejte výhradně napájecí síť se střídavým napětím a s parametry odpovídajícími údajům na typovém štítku nářadí.
- ✿ V žádném případě nepřipojujte žádnou část nářadí k zemnicímu vodiči.

## Kabely

- ✿ Používejte pouze prodlužovací kabely schválené dle normy HD 516.
- ✿ Obraťte se na technika v oboru elektro.

## Bezpečnost osob

- ✿ Vždy používejte vhodný pracovní oděv, ochranné rukavice a pevnou obuv.
- ✿ Před stříháním porost dobře prohlédněte a odstraňte cizí předměty a dráty.
- ✿ Při seřizování nářadí (otočení stříhací jednotky, naklonění stříhací hlavy aj.) nejprve na stříhací lištu nasadte ochranný kryt. Během těchto úkonů se nesmí nůžky na živý plot opírat o stříhací čepel.
- ✿ Vždy před zahájením práce s nářadím a po jakémkoli nárazu, ke kterému došlo při stříhání, zkontrolujte případné opotřebení či poškození nůžek a v případě potřeby zajistěte jejich opravu.
- ✿ Před zahájením práce s elektrickými teleskopickými nůžkami na živý plot se vždy ujistěte, že je ochranný kryt rukou umístěn ve správné poloze.
- ✿ Nikdy nepoužívejte nářadí, které není kompletní, nebo nářadí, které bylo upraveno neschváleným způsobem.

## Použití elektrického nářadí a jeho údržba

- ✿ Seznamte se s pokyny rychlého nouzového vypnutí nářadí.
- ✿ Nikdy nářadí nepřenášejte za ochranný kryt.
- ✿ Nikdy elektrické nůžky na živý plot nepoužívejte, pokud jsou poškozené jejich ochranné prvky (kryt rukou, obouručný bezpečnostní spínač, ochranný kryt, nouzový vypínač stříhací lišty).
- ✿ Při práci s nůžkami nikdy nepoužívejte žebřík.
- ✿ Zástrčku napájecího kabelu vytáhněte ze zásuvky:
  - před odchodem od nářadí na jakkoli dlouhou dobu,
  - před čištěním materiálu zaseklého ve stříhací liště,
  - před kontrolou, čištěním nebo údržbou nářadí,
  - po kontaktu stříhajícího nářadí s cizím předmětem.

S nářadím nepracujte, pokud si nejste jisti jeho naprosto bezpečným provozním stavem,

  - pokud nářadí začne nestandardně vibrovat. V takovém případě nářadí ihned zkontrolujte. V důsledku nadměrných vibrací může dojít k úrazu.
  - před předáním nářadí jiné osobě.

## Údržba a skladování

- ⚠ **POZOR!** NEBEZPEČÍ ÚRAZU! Nedotýkejte se stříhacích čepelí.
- ⚠ **POZOR!** Při dokončení či přerušení práce zvedněte ochranný kryt.
- ✿ Udržujte všechny matice a šrouby řádně dotažené, tím zajistíte bezpečný provoz nářadí.

## 5. KDE POUŽÍVAT ELEKTRICKÉ TELESKOPICKÉ NŮŽKY NA ŽIVÝ PLOT

### Správný způsob použití

- ✿ Elektrické nůžky na živý plot jsou určeny pro zastřihávání živých plotů a keřů na soukromých pozemcích a zahradách.
- ✿ Předpokladem správného používání elektrických nůžek je dodržování pokynů uvedených v tomto návodu.

### **⚠ POZOR! NEBEZPEČÍ ÚRAZU!**

Je zakázáno elektrické nůžky na plot používat pro sekání trávníků/zastřihování okrajů trávníků nebo pro sekání materiálu pro účely kompostování.

## 6. SESTAVENÍ NÁŘADÍ

- ✿ Povolte aretační prvek (7) na spojovací rukojeti (viz Obrázek 2).
- ✿ Vsuňte zadní rukojeť do přední části ve směru (A) (viz Obrázek 3). Ujistěte se, že drážka (1) (drážka 1 na přední tyči) zapadla do otvoru (2) (otvor 2 ve spojovací rukojeti).
- ✿ Zasuňte aretační prvek (7) ve směru (B) do otvoru se závitem (viz Obrázek 4) a pevně jej zatsroubujte ve směru (A). Ujistěte se, že je spoj řádně utažený.

## 7. PROVOZ

### Nastavení úhlu hlavy s pohonem

- ✿ Hlavu s pohonem můžete nastavit do 8 různých pracovních úhlů.
- ✿ Stiskněte jednou rukou tlačítko seřízení s nápisem PUSH a otočte pohon do požadované polohy. Po uvolnění tlačítka se hlava s pohonem automaticky zajistí v nastavené poloze (viz Obrázek 5).

### Nastavení délky teleskopické násady

Elektrické nůžky na živý plot jsou vybaveny teleskopickou násadou, která měří od 1,85 m (v plném zatažení) až do 2,45 m (v plném vytažení). Upínací pouzdro s aretačním prvkem zajistí dostatečnou pevnost násady v jakékoli délce.

- ✿ Pro prodloužení násady povolte aretační prvek (7) ve směru (A) (viz Obrázek 6). Násada se snadno vysune.
- ✿ Zatáhněte za přední část násady a vysuňte ji do požadované délky.

 **Poznámka:** Předáváte-INásadu prodlužujte vždy pouze na minimální délku, potřebnou k prořezání daného porostu.


- ✿ Pro zajištění násady v pozici utáhněte aretační prvek (7) ve směru (B) (viz Obrázek 6).

### **Spuštění elektrických nůžek na živý plot**

- ✿ Sejměte ochranný kryt (1) ve směru (A) ze stříhací lišty (2) (viz Obrázek 7).
- ✿ Nastavte hlavu s pohonem do požadované pozice a délku násady do požadované délky.
- ✿ Připojte napájecí kabel do zásuvky.
- ✿ Oběma rukama pevně uchopte násadu nůžek. Násadu držte v předepsaných úchopových oblastech (B) a použijte pomocný ramenní popruh. (viz Obrázek 8) Násadu držte skutečně pevně. Palce a prsty musí pevně objímat násadu i rukojeť nářadí.
- ✿ Zaujměte stabilní postoj. Rozkročte se. Svou váhu rozložte rovnoměrně na obě chodidla.
- ✿ V případě, že jste připraveni začít prořezávat, stiskněte pojistku spouště (16) a následně vlastní spínač nářadí (17) (viz Obrázek 9). Nůžky na živý plot se spustí. Po uvolnění spínače se nůžky zastaví. Před zahájením stříhání musí nůžky vždy běžet.
- ✿ Při stříhání umístěte pohybující se stříhací lištu k větví. Držte elektrické nůžky pevně ve stabilní poloze.
- ✿ Po provedení řezu odstraňte nůžky z místa řezu v plných otáčkách. Uvolněte spínač a zastavte nůžky. Před sklopením násady k zemi se ujistěte, že se stříhací lišta zastavila.

## **8. ÚDRŽBA**

### **Čištění nůžek na živý plot**

 **POZOR!** Nebezpečí úrazu / úrazu elektrickým proudem!

Před zahájením údržby na nářadí vždy nejprve odpojte nářadí od napájení a nasadte na stříhací lištu ochranný kryt. Elektrické nůžky na živý plot nečistěte tekoucí vodou (zejména ne tlakovou vodou).

- ✿ Očistěte elektrické nůžky na živý plot vlhkým hadříkem.
- ✿ Namažte stříhací lištu mazivem s nízkou viskozitou. Zamezte styku maziva s plastovými díly.

## 9. SKLADOVÁNÍ

**⚠ POZOR!** Elektrické nůžky na živý plot skladujte mimo dosah dětí.

- ✿ Odpojte od nůžek napájecí kabel.
- ✿ Očistěte elektrické nůžky dle pokynů v kapitole 7 Údržba a nasuňte ochranný kryt na stříhací lišty.
- ✿ Elektrické nůžky skladujte na suchém místě, v němž nehrozí riziko zamrznutí.

## 10. TECHNICKÉ ÚDAJE

Napětí/frekvence	230V-240V/50Hz
Příkon	450 W
Rozteč zubů stříhací lišty	16 mm
Rychlost kmitů	1600/min
Hladina akustického výkonu LWA	naměřená 94 dB(A)/garantovaná 100 dB(A)
Vibrace ruka/paže, vážená efektivní hodnota zrychlení	< 2,5 m/s <sup>2</sup>
Celková délka	1,9 m - 2,5 m
Délka stříhací lišty	460 mm
Hmotnost	3,7 Kg
Maximální průměr stříhu	16mm
Nastavení úhlu hlavy	+60° až -80°

Uživatelská příručka je v originálním jazyce.



# 11. PROHLÁŠENÍ O SHODĚ

**Výrobek / značka:** ELEKTRICKÉ NŮŽKY NA ŽIVÝ PLOT / FIELDMANN

**Typ / Model:** FZN 6005-E ..... 230V, 450W, 50Hz, Třída II

## Výrobek je v souladu s níže uvedenými předpisy:

- ☛ Směrnice Evropského parlamentu a Rady 2000/14/ES ze dne 8. května 2000 o sbližování právních předpisů členských států týkajících se emisí hluku zařízení, která jsou určena k použití ve venkovním prostoru, do okolního prostředí
- ☛ Směrnice Evropského parlamentu a Rady 2006/42/ES ze dne 17. května 2006 o strojních zařízeních a o změně směrnice 95/16/ES
- ☛ Směrnice Evropského parlamentu a Rady 2004/108/ES ze dne 15. prosince 2004 o sbližování právních předpisů členských států týkajících se elektromagnetické kompatibility a o zrušení směrnice 89/336/EHS
- ☛ Směrnice Evropského parlamentu a Rady 2002/95/ES ze dne 27. ledna 2003 o omezení používání některých nebezpečných látek v elektrických a elektronických zařízeních

## a normami:

EN 60745-1:2009+A11:2010  
 EN 60745-2-15:2009+A1:2010 EN ISO 10517:2009  
 EN 55014-1:2006+A1:2009+A2:2011  
 EN 55014-2:+A1:2001+A2:2008  
 EN 61000-3-2:2006+A1:2009+A2:2009  
 EN 61000-3-3:2008

Označení CE: 14

## Výrobce:

FAST ČR, a.s.  
 Černokostecká 2111, 100 00 Praha 10  
 DIČ: CZ26726548

V Praze, 7.5.2014

Jméno: Zdeněk Pech

předseda představenstva

**FAST** FAST ČR, a.s. ©  
 Černokostecká 1621, 251 01 Říčany  
 IČO: 26726548 tel.: +420/ 323 204 111  
 DIČ: CZ26726548 fax: +420/ 323 204 110



Podpis a razítko:

## 12. LIKVIDACE

### POKYNY A INFORMACE O NAKLÁDÁNÍ S POUŽITÝM OBALEM

Použitý obalový materiál odložte na místo určené obcí k ukládání odpadu.

### LIKVIDACE POUŽITÝCH ELEKTRICKÝCH A ELEKTRONICKÝCH ZAŘÍZENÍ



Tento symbol na produktech anebo v průvodních dokumentech znamená, že použité elektrické a elektronické výrobky nesmí být přidány do běžného komunálního odpadu. Ke správné likvidaci, obnově a recyklaci předejte tyto výrobky na určená sběrná místa. Alternativně v některých zemích Evropské unie nebo jiných evropských zemích můžete vrátit své výrobky místnímu prodejci při koupi ekvivalentního nového produktu. Správnou likvidací tohoto produktu pomůžete zachovat cenné přírodní zdroje a napomáháte prevenci potenciálních negativních dopadů na životní prostředí a lidské zdraví, což by mohly být důsledky nesprávné likvidace odpadů. Další podrobnosti si vyžádejte od místního úřadu nebo nejbližšího sběrného místa. Při nesprávné likvidaci tohoto druhu odpadu mohou být v souladu s národními předpisy uděleny pokuty.

#### Pro podnikové subjekty v zemích Evropské unie

Chcete-li likvidovat elektrická a elektronická zařízení, vyžádejte si potřebné informace od svého prodejce nebo dodavatele.

#### Likvidace v ostatních zemích mimo Evropskou unii

Tento symbol je platný v Evropské unii. Chcete-li tento výrobek zlikvidovat, vyžádejte si potřebné informace o správném způsobu likvidace od místních úřadů nebo od svého prodejce.



Tento výrobek splňuje veškeré základní požadavky směrnic EU, které se na něj vztahují.

Změny v textu, designu a technických specifi kací se mohou měnit bez předchozího upozornění a vyhrazujeme si právo na jejich změnu.

# Teleskopické plotové nožnice

## NÁVOD NA OBSLUHU

### OBSAH

OBRAZOVÁ PRÍLOHA .....	3
1. VŠEOBECNÉ BEZPEČNOSTNÉ PREDPISY .....	36
Dôležité bezpečnostné upozornenia	
Obal	
Návod na použitie	
2. SYMBOLY .....	37
3. POPIS STROJA A OBSAH DODÁVKY .....	38
4. BEZPEČNOSTNÉ POKYNY .....	39
5. KDE POUŽÍVAŤ ELEKTRICKÉ TELESKOPICKÉ NOŽNICE NA ŽIVÝ PLOT .....	44
6. ZOSTAVENIE NÁRADIA .....	44
7. PREVÁDZKA .....	44
8. ÚDRŽBA .....	45
9. SKLADOVANIE .....	46
10. TECHNICKÉ ÚDAJE .....	46
11. VYHLÁSENIE O ZHODE .....	47
12. LIKVIDÁCIA .....	48
ZÁRUČNÝ LIST, ZÁRUČNÉ PODMIENKY .....	78 - 79

# 1. VŠEOBECNÉ BEZPEČNOSTNÉ PREDPISY

## Dôležité bezpečnostné upozornenia


- ✿ Výrobok starostlivo vybalte a dajte pozor, aby ste nevyhodili žiadnu časť obalového materiálu skôr, ako nájdete všetky súčasti výrobku.
- ✿ Výrobok uschovávajúajte na suchom mieste mimo dosahu detí.
- ✿ Čítajte všetky upozornenia a pokyny. Zanedbanie pri dodržovaní varovných upozornení a pokynov môžu mať za následok úraz elektrickým prúdom, požiar a/alebo ťažké poranenia.

## Obal

Výrobok je umiestnený v obale brániacom poškodeniu pri transporte. Tento obal je surovinou a je možné ho preto odovzdať na recykláciu.

## Návod na použitie

Kým začnete so strojom pracovať, prečítajte si nasledujúce bezpečnostné predpisy a pokyny na používanie. Zoznámte sa s obslužnými prvkami a správnym používaním zariadenia. Návod starostlivo uschovajte pre prípad neskoršej potreby. Minimálne počas záruky odporúčame uschovať originálny obal vrátane vnútorného baliaceho materiálu, pokladničný doklad a záručný list. V prípade prepravy zabalte stroj späť do originálnej škatule od výrobcu, zaistíte si tak maximálnu ochranu výrobku pri prípadnom transporte (napr. sťahovaní alebo odoslaní do servisného strediska).

-  **Poznámka:** Ak odovzdávate stroj ďalším osobám, odovzdajte ho spoločne s návodom. Dodržiavanie priloženého návodu na obsluhu je predpokladom riadneho používania stroja. Návod na obsluhu obsahuje aj pokyny pre obsluhu, údržbu a opravy.

**Výrobca nepreberá zodpovednosť za nehody alebo škody, ktoré vzniknú následkom nedodržiavania tohto návodu.**

## 2. SYMBOLY



**VAROVANIE!**



Prečítajte si pozorne návod na obsluhu náradia a uistite sa, že ste porozumeli všetkým pokynom, zoznámili ste sa s ovládačmi náradia a viete, ktorý ovládač je určený na akú funkciu.



V prípade poškodenia kábla ihneď vytiahnite napájací kábel zo zásuvky.



Nevystavujte náradie dažďu.  
Nenechávajte náradie vonku, ak prší.



Odporúčame používať ochranu zraku.



Používajte ochranu sluchu.



Používajte pracovné rukavice.



Pozor na padajúce konáre.

## 3. POPIS STROJA A OBSAH DODÁVKY

### Popis stroja (viď obr. 1)

- |                              |                          |
|------------------------------|--------------------------|
| 1. Ochranný kryt             | 10. Upínacie puzdro      |
| 2. Strihacia lišta           | 11. Zadná násada         |
| 3. Ochranný štít             | 12. Oblasť úchopu        |
| 4. Motor                     | 13. Spona                |
| 5. Tlačidlo nastavenia hlavy | 14. Ramenný popruh       |
| 6. Spojovacia rukoväť        | 15. Bezpečnostná poistka |
| 7. Aretačný prvok            | 16. Spínač               |
| 8. Predná násada             | 17. Spínač               |
| 9. Aretačný prvok            | 18. Zástrčka             |

### Obsah dodávky

Stroj vyberte opatrne z obalu a skontrolujte, či sú nasledujúce diely kompletne:

- ✿ Nožnice
- ✿ Strižná lišta
- ✿ Kryt lišty
- ✿ Ramenný popruh
- ✿ Návod na použitie

## 4. BEZPEČNOSTNÉ POKYNY

**⚠ POZOR!** Z bezpečnostných dôvodov nesmú elektrické nožnice na plot obsluhovať osoby mladšie ako 16 rokov a osoby, ktoré sa neoznámili s informáciami uvedenými v tomto návode. Osoby so zníženými mentálnymi alebo fyzickými schopnosťami môžu elektrické nožnice na živý plot obsluhovať iba v prípade, že sú pod dozorom zodpovednej osoby alebo boli zaškolené kvalifikovanou zodpovednou osobou.

**⚠ POZOR!** V prípade nesprávneho použitia môže byť toto elektrické náradie nebezpečné. Dodržiavajte výstražné a bezpečnostné pokyny, uvedené v návode na obsluhu; len tak zaistíte primeranú úroveň bezpečnosti a efektívnosti pri práci s týmto náradím. Za dodržiavanie výstražných a bezpečnostných pokynov uvedených v tomto návode na obsluhu a na náradie zodpovedá obsluha náradia. Nikdy nepoužívajte náradie, pokiaľ nie sú ochranné kryty, namontované výrobcom náradia, v správnej polohe.

### Základné bezpečnostné pokyny na prácu s elektrickým náradím

**⚠ POZOR!** VAROVANIE! Zoznámte sa so všetkými výstražnými a bezpečnostnými pokynmi a pokynmi na obsluhu náradia. Nedodržanie výstražných či bezpečnostných pokynov môže viesť k úrazu elektrickým prúdom, vzniku požiaru alebo vážnemu úrazu.

**⚠ POZOR!** Všetky výstražné a bezpečnostné pokyny si uložte na praktické miesto na budúce použitie.

Výrazom „elektrické náradie“ vo všetkých ďalej uvedených výstražných pokynoch sa myslí elektrické náradie napájané (pohyblivým prívodom) zo siete, ako aj náradie napájané z batérií (bez pohyblivého prívodu).

### Bezpečnosť pracovného prostredia

- ✿ Udržujte miesto práce upratané a dobre osvetlené. Neporiadok a tmavé miesta na pracovisku bývajú príčinou nehôd.
- ✿ Nepoužívajte elektrické náradie v prostredí s nebezpečenstvom výbuchu, kde sa vyskytujú horľavé kvapaliny, plyny alebo prach. V elektrickom náradí vznikajú iskry, ktoré môžu zapáliť prach alebo výpary.
- ✿ Pri používaní elektrického náradia zamedzte prístupu deťi a ďalších osôb. Ak budete vyrušovaní, môžete stratiť kontrolu nad vykonávanou činnosťou.

### Bezpečnosť pri práci s elektrickým náradím

- ✿ Vidlica pohyblivého prívodu elektrického náradia musí zodpovedať sieťovej zásuvke. Nikdy žiadnym spôsobom neupravujte vidlicu. S náradím, ktoré má ochranné spojenie so zemou, nikdy nepoužívajte žiadne zásuvkové adaptéry. Vidlice, ktoré nie sú znehodnotených úpravami, a zodpovedajúce zásuvky znižujú nebezpečenstvo úrazu elektrickým prúdom.

- ✿ Vyvarujte sa dotyku tela s uzemnenými predmetmi, ako je napr. potrubie, vykurovacie telesá, sporáky a chladničky. Nebezpečenstvo úrazu elektrickým prúdom je väčšie, ak je vaše telo spojené so zemou.
- ✿ Nevystavujte elektrické náradie dažďu, vlhku alebo mokru. Ak vnikne do elektrického náradia voda, zvyšuje sa nebezpečenstvo úrazu elektrickým prúdom.
- ✿ Nepoužívajte pohyblivý prívod na iné účely. Nikdy nenoste a neťahajte elektrické náradie za prívod ani nevytrhávajte vidlicu zo zásuvky ťahom za prívod. Chráňte prívod pred teplom, mastnotou, ostrými hranami a pohybujúcimi sa časťami. Poškodené alebo zamotané prívody zvyšujú nebezpečenstvo úrazu elektrickým prúdom.
- ✿ Ak sa elektrické náradie používa vonku, používajte predlžovací prívod vhodný na vonkajšie použitie. Používanie predlžovacieho prívodu na vonkajšie použitie obmedzuje nebezpečenstvo úrazu elektrickým prúdom.
- ✿ Ak musíte použiť elektrické náradie vo vlhkom prostredí, použite v napájacom okruhu prúdový chránič (RCD). Použitie prúdového chrániča (RCD) znižuje riziko úrazu elektrickým prúdom.

## Bezpečnosť osôb

- ✿ Pri práci s elektrickým náradím buďte stále pozorní, sledujte, čo robíte, a používajte zdravý rozum. Nepoužívajte elektrické náradie, ak ste unavení alebo ak ste pod vplyvom drog, alkoholu alebo liekov. Chvilka nepozornosti pri práci s elektrickým náradím môže mať za následok vážne zranenie.
- ✿ Používajte osobné ochranné pracovné pomôcky. Vždy používajte ochranu zraku. Ochranné pomôcky, napr. respirátor, bezpečnostná obuv s protišmykovou úpravou, tvrdá pokrývka hlavy alebo ochrana sluchu, používané v súlade s podmienkami práce, znižujú nebezpečenstvo poranenia osôb.
- ✿ Vyvarujte sa neúmyselného spustenia. Pred pripojením k napájacemu zdroju, pred pripojením batérie, pred uložením alebo pred prenášaním náradia sa uistite, či je hlavný vypínač v polohe vypnuté. Prenášanie náradia s prstom na spínači alebo zapájanie vidlice náradia so zapnutým spínačom môže byť príčinou nehôd.
- ✿ Pred zapnutím náradia odstráňte všetky nastavovacie nástroje alebo kľúče. Nastavovací nástroj alebo kľúč, ktorý ponecháte pripevnený k otáčajúcej sa časti elektrického náradia, môže byť príčinou poranenia osôb.
- ✿ Pracujte len tam, kam bezpečne dosiahnete. Vždy udržiavajte stabilný postoj a rovnováhu. Budete tak lepšie ovládať elektrické náradie v nepredvídaných situáciách.
- ✿ Obliekajte sa vhodným spôsobom. Nepoužívajte voľné odevy ani šperky. Dbajte na to, aby vaše vlasy, odev a rukavice boli dostatočne ďaleko od pohybujúcich sa častí. Voľné odevy, šperky a dlhé vlasy môžu zachytiť pohybujúce sa časti.
- ✿ Ak sú k dispozícii prostriedky na pripojenie zariadení na odsávanie a zber prachu, zaistite, aby takéto zariadenia boli pripojené a správne používané. Použitie týchto zariadení môže znížiť nebezpečenstvo spôsobené vznikajúcim prachom.



## Použitie elektrického náradia a jeho údržba

- ✿ Elektrické náradie nepreťažujte. Používajte správne náradie, ktoré je vhodné na vykonávanú prácu. Správne elektrické náradie bude lepšie a bezpečnejšie vykonávať prácu, pre ktorú bolo navrhnuté.
- ✿ Nepoužívajte elektrické náradie, ktoré nie je možné zapnúť a vypnúť spínačom. Akékoľvek elektrické náradie, ktoré nie je možné ovládať spínačom, je nebezpečné a vyžaduje opravu.
- ✿ Pred nastavovaním náradia, pred výmenou príslušenstva alebo ak náradie nepoužívate, vytiahnite zástrčku napájacieho kábla zo zásuvky alebo odpojte batériu od náradia. Tieto preventívne bezpečnostné opatrenia znižujú riziko náhodného spustenia elektrického náradia.
- ✿ Nepoužívané elektrické náradie uchovávajte mimo dosahu detí a nedovoľte osobám, ktoré neboli oboznámené s elektrickým náradím alebo s týmito pokynmi, aby náradie používali. Elektrické náradie je v rukách neskúsených používateľov nebezpečné.
- ✿ Vykonávajte údržbu elektrického náradia. Kontrolujte nastavenie pohybujúcich sa častí a ich pohyblivosť, zamerajte sa na praskliny, zlomené súčasti a akékoľvek ďalšie okolnosti, ktoré môžu ohroziť funkciu elektrického náradia. Pokiaľ je náradie poškodené, pred ďalším používaním zaistite jeho opravu. Veľa nehôd je spôsobených nesprávnou údržbou elektrického náradia.
- ✿ Rezacie nástroje udržiavajte ostré a čisté. Správne udržiavané a naostrené rezacie nástroje sa s menšou pravdepodobnosťou zachytia za materiál alebo sa zablokujú a práca s nimi sa ľahšie kontroluje.
- ✿ Elektrické náradie, príslušenstvo, pracovné nástroje atď. používajte v súlade s týmito pokynmi a takým spôsobom, aký bol predpísaný pre konkrétne elektrické náradie, a to s ohľadom na dané podmienky práce a druh vykonávanej práce. Používanie elektrického náradia na vykonávanie iných činností, než na aké bolo určené, môže viesť k nebezpečným situáciám.

## Servis

- ✿ Opravy vášho elektrického náradia zverte kvalifikovanej osobe, ktoré bude používať originálne náhradné diely. Týmto spôsobom bude zaistená rovnaká úroveň bezpečnosti elektrického náradia, ako pred opravou.

## Bezpečnostné pokyny na prácu s elektrickými nožnicami na plot

- ✿ Udržujte všetky časti tela v bezpečnej vzdialenosti od strihacej lišty. Ak sú nože v pohybe, neodstraňujte nastrihaný materiál a nedržte materiál, ktorý budete strihať. Pri odstraňovaní materiálu zablokovaného v elektrických nožniciach sa uistite, či je hlavný vypínač v polohe vypnuté. Chvilka nepozornosti pri práci s elektrickými nožnicami na plot môže mať za následok vážne zranenie.

- ✿ Prenášajte teleskopické nožnice na plot iba za rukoväť a iba v prípade, že je strihacia lišta vypnutá. Pri preprave alebo pri ukladaní nožníc na plot vždy nasadíte na lištu ochranný kryt. Správna manipulácia s teleskopickými nožnicami obmedzí riziko úrazu, ktoré hrozí pri manipulácii so strihacími lištami.
- ✿ Držte elektrické náradie iba za izolované plochy, pretože hrozí nebezpečenstvo, že sa strihacie lišty nožníc môžu dostať do kontaktu s ukrytými elektrickými vodičmi alebo s vlastným privodným káblom. Ak sa dostanú strihacie lišty do kontaktu so živým vodičom, môže dôjsť k prechodu napätia aj na neizolované časti elektrického náradia a obsluha náradia hrozí úraz elektrickým prúdom.
- ✿ Udržujte napájací kábel mimo priestoru strihania. Počas práce môže byť napájací kábel ukrytý v kríkovom poroste a vy ho môžete neúmyselne prestrihnúť.

### Doplnkové bezpečnostné pokyny

- ✿ Bezpečnosť pracovného prostredia. Elektrické náradie používajte výhradne spôsobom a výhradne na účel opísaný v tomto návode na obsluhu. Obsluha alebo používateľ náradia je plne zodpovedný za prípadné nehody alebo nebezpečenstvo, ktoré hrozí iným osobám či ich majetku.

### Bezpečnosť pri práci s elektrickým náradím

- ✿ Na zvýšenie bezpečnosti odporúča Britský normalizačný ústav používať pri práci s náradím napájanie vybavené prúdovým chráničom (RCD) s vypínacím prúdom menším ako 30 mA. Pred každým začatím práce s elektrickým náradím si funkčnosť prúdového chrániča overte. Pred použitím skontrolujte celistvosť napájacieho kábla. V prípade, že kábel vykazuje známky opotrebenia či poškodenia, vymeňte ho.
- ✿ Nepoužívajte náradie v prípade, že sú káble poškodené alebo opotrebované.
- ✿ Ak je kábel prerezaný alebo má poškodenú izoláciu, okamžite náradie odpojte od napájania. Nedoťahujte sa kábla, kým zariadenie nebude odpojené od napájania.
- ✿ Udržujte kábel náradia natiahnutý a nezamotaný. Zamotané káble sa môžu prehrievať a znižovať výkon vášho náradia.
- ✿ Pred vytiahnutím zástrčky napájacieho kábla alebo predlžovacieho kábla zo zásuvky vždy náradie vypnite sieťovým vypínačom.
- ✿ Vypnite náradie, vytriahnite zástrčku zo zásuvky a pred zmotaním a uložením kábla ho skontrolujte, či nie je príliš opotrebovaný alebo poškodený. Poškodený kábel neopravujte, vždy ho vymeňte za nový.
- ✿ Kábel zvládajte opatrne, aby na ňom nevznikali slučky.
- ✿ Na napájanie náradia používajte výhradne napájaciu sieť so striedavým napätím a s parametrami zodpovedajúcimi údajom na typovom štítku náradia.
- ✿ V žiadnom prípade nepripájajte žiadnu časť náradia k uzemňovaciemu vodiču.

## Káble

- ✿ Používajte iba predĺžovacie káble schválené podľa normy HD 516.
- ✿ Obráťte sa na technika v odbore elektro.

## Bezpečnosť osôb

- ✿ Vždy používajte vhodný pracovný odev, ochranné rukavice a pevnú obuv.
- ✿ Pred strihaním porast dobre prezrite a odstráňte cudzie predmety a drôty.
- ✿ Pri nastavovaní náradia (otočenie strihacej jednotky, naklonenie strihacej hlavy a pod.) najprv na strihaciu lištu nasadíte ochranný kryt. Počas týchto úkonov sa nesmú nožnice na živý plot opierať o strihaciu čepeľ.
- ✿ Vždy pred začatím práce s náradím a po akomkoľvek náraze, ku ktorému došlo pri strihaní, skontrolujte prípadné opotrebovanie alebo poškodenie nožnic a v prípade potreby zaistíte ich opravu.
- ✿ Pred začatím práce s elektrickými teleskopickými nožnicami na živý plot sa vždy uistite, že je ochranný kryt rúk umiestnený v správnej polohe.
- ✿ Nikdy nepoužívajte náradie, ktoré nie je kompletné, alebo náradie, ktoré bolo upravené neschváleným spôsobom.

## Použitie elektrického náradia a jeho údržba

- ✿ Zoznámte sa s pokynmi rýchleho núdzového vypnutia náradia.
- ✿ Nikdy náradie neprenášajte za ochranný kryt.
- ✿ Nikdy elektrické nožnice na živý plot nepoužívajte, ak sú poškodené ich ochranné prvky (kryt rúk, obojručný bezpečnostný spínač, ochranný kryt, núdzový vypínač strihacej lišty).
- ✿ Pri práci s nožnicami nikdy nepoužívajte rebrík.
- ✿ Zástrčku napájacieho kábla vyťahnite zo zásuvky:
  - pred odchodom od náradia na akokoľvek dlhý čas,
  - pred čistením materiálu zaseknutého v strihacej lište,
  - pred kontrolou, čistením alebo údržbou náradia,
  - po kontakte strihajúceho náradia s cudzím predmetom.
 S náradím nepracujte, ak si nie ste istí jeho úplne bezpečným prevádzkovým stavom,
  - pokiaľ náradie začne neštandardne vibrovať. V takom prípade náradie ihneď skontrolujte. V dôsledku nadmerných vibrácií môže dôjsť k úrazu.
  - pred odovzdaním náradia inej osobe.

## Údržba a skladovanie

- ⚠ **POZOR!** NEBEZPEČENSTVO ÚRAZU! Nedotýkajte sa strihacích čepeľí.
- ⚠ **POZOR!** Pri dokončení či prerušení práce zdvihnite ochranný kryt.
- ✿ Udržujte všetky matice a skrutky riadne dotiahnuté, tým zaistíte bezpečnú prevádzku náradia.

## 5. KDE POUŽÍVAŤ ELEKTRICKÉ TELESKOPICKÉ NOŽNICE NA ŽIVÝ PLOT

### Správny spôsob použitia

- ✿ Elektrické nožnice na živý plot sú určené na zastreňovanie živých plotov a kríkov na súkromných pozemkoch a záhradách.
- ✿ Predpokladom správneho používania elektrických nožníc je dodržiavanie pokynov uvedených v tomto návode.

### **⚠ POZOR!** NEBEZPEČENSTVO ZÁSAHU!

Je zakázané elektrické nožnice na plot používať na kosenie trávnikov / zastreňovanie okrajov trávnikov alebo na sekание materiálu na účely kompostovania.

## 6. ZOSTAVENIE NÁRADIA

- ✿ Povoľte aretačný prvok (7) na spojovacej rukoväti (pozri Obrázok 2).
- ✿ Vsuňte zadnú rukoväť do prednej časti v smere (A) (pozri Obrázok 3). Uistite sa, že drážka (1) (drážka 1 na prednej tyči) zapadla do otvoru (2) (otvor 2 v spojovacej rukoväti).
- ✿ Zasuňte aretačný prvok (7) v smere (B) do otvoru so závitom (pozri Obrázok 4) a pevne ho zaskrutkujte v smere (A). Uistite sa, že je spoj riadne utiahnutý.

## 7. PREVÁDZKA


### Nastavenie uhla hlavy s pohonom

- ✿ Hlavu s pohonom môžete nastaviť do 8 rôznych pracovných uhlov.
- ✿ Stlačte jednou rukou tlačidlo nastavenia s nápisom PUSH a otočte pohon do požadovanej polohy. Po uvoľnení tlačidla sa hlava s pohonom automaticky zaistí v nastavenej polohe (pozri Obrázok 5).

### Nastavenie dĺžky teleskopickej násady

Elektrické nožnice na živý plot sú vybavené teleskopickou násadou, ktorá meria od 1,85 m (v plnom zatiahnutí) až do 2,45 m (v plnom vytiahnutí). Upínacie puzdro s aretačným prvkom zaistí dostatočnú pevnosť násady v akejkolvek dĺžke.

- ✿ Na predĺženie násady povoľte aretačný prvok (7) v smere (A) (pozri Obrázok 6). Násada sa ľahko vysunie.
- ✿ Zatiahnite za prednú časť násady a vysuňte ju do požadovanej dĺžky.

 **Poznámka:** Násadu predĺžujte vždy iba na minimálnu dĺžku, potrebnú na prerezanie porastu.

- ✿ Na zaistenie násady v pozícii utiahnite aretačný prvok (7) v smere (B) (pozri Obrázok 6).

### Spustenie elektrických nožníc na živý plot

- ✿ Odstráňte ochranný kryt (1) v smere (A) zo strihacej lišty (2) (pozri Obrázok 7).
- ✿ Nastavte hlavu s pohonom do požadovanej pozície a dĺžku násady do požadovanej dĺžky.
- ✿ Pripojte napájací kábel do zásuvky.
- ✿ Oboma rukami pevne uchopíte násadu nožníc. Násadu držte v predpísaných úchopových oblastiach (B) a použite pomocný ramenný popruh. (pozri Obrázok 8) Násadu držte skutočne pevne. Palce a prsty musia pevne objímať násadu aj rukoväť náradia.
- ✿ Zaujmite stabilný postoj. Rozkročte sa. Svoju váhu rozložte rovnomerne na obe chodidlá.
- ✿ V prípade, že ste pripravení začať prerezávať, stlačte poistku spúšte (16) a následne samotný vypínač náradia (17) (pozri Obrázok 9). Nožnice na živý plot sa spustia. Po uvoľnení spínača sa nožnice zastavia. Pred začatím strihania musia nožnice vždy bežať.
- ✿ Pri strihaní umiestnite pohybujúcu sa strihaciu lištu ku konáru. Držte elektrické nožnice pevne v stabilnej polohe.
- ✿ Po vykonaní rezu odstráňte nožnice z miesta rezu v plných otáčkach. Uvoľnite spínač a zastavte nožnice. Pred sklopením násady k zemi sa uistite, že sa strihacia lišta zastavila.

## 8. ÚDRŽBA

### Čistenie nožníc na živý plot

 **POZOR!** Nebezpečenstvo úrazu / úrazu elektrickým prúdom!

Pred začatím údržby náradia vždy najprv odpojte náradie od napájania a nasadte na strihaciu lištu ochranný kryt. Elektrické nožnice na živý plot nečistite tečúcou vodou (najmä nie flakovou vodou).

- ✿ Utrite elektrické nožnice na živý plot vlhkou handričkou.
- ✿ Namažte strihaciu lištu mazivom s nízkou viskozitou. Zamedzte styku maziva s plastovými dielmi.

## 9. SKLADOVANIE

**⚠ POZOR!** Elektrické nožnice na živý plot skladujte mimo dosahu detí.

- ✿ Odpojte od nožníc napájací kábel.
- ✿ Očistite elektrické nožnice podľa pokynov v kapitole 7 Údržba a nasuňte ochranný kryt na strihaciu lištu.
- ✿ Elektrické nožnice skladujte na suchom mieste, v ktorom nehrozí riziko zamrznutia.

## 10. TECHNICKÉ ÚDAJE

Napätie / frekvencia	230V-240V/50Hz
Príkonnosť	450 W
Rozstup zubov strihacej lišty	16 mm
Rýchlosť kmitov	1600/min
Hladina akustického výkonu LWA	nameraná 94 dB(A) / garantovaná 100 dB(A)
Vibrácie ruka / paže, vážená efektívna hodnota zrýchlenia	< 2,5 m/s <sup>2</sup>
Celková dĺžka	1,9 m - 2,5 m
Dĺžka strihacej lišty	460 mm
Hmotnosť	3,7 Kg
Maximálny priemer strihu	16mm
Nastavenie uhla hlavy	+60° až -80°

Používateľská príručka je v jazykovej mutácii.

# 11. VYHLÁSENIE O ZHODE

**Výrobok / značka:** ELEKTRICKÉ NOŽNICE NA ŽIVÝ PLOT / FIELDMANN

Typ / Model : FZN 6005-E ..... 230V, 450W, 50Hz, Trieda II

## Výrobok je v súlade s nižšie uvedenými predpismi:

- ☼ Smernica Európskeho parlamentu a Rady 2000/14/ES z 8. mája 2000 týkajúca sa aproximácie právnych predpisov členských štátov vzhľadom na emisiu hluku v prostredí pochádzajúcu zo zariadení používaných vo voľnom priestranstve
- ☼ Smernica Európskeho parlamentu a Rady 2006/42/ES zo 17. mája 2006 o strojových zariadeniach a o zmene a doplnení smernice 95/16/ES
- ☼ Smernica Európskeho parlamentu a Rady 2004/108/ES z 15. decembra 2004 o aproximácii právnych predpisov členských štátov vzťahujúcich sa na elektromagnetickú kompatibilitu a o zrušení smernice 89/336/EHS
- ☼ Smernica 2002/95/ES Európskeho parlamentu a Rady z 27. januára 2003 o obmedzení používania určitých nebezpečných látok v elektrických a elektronických zariadeniach

## a normami:

EN 60745-1:2009+A11:2010  
 EN 60745-2-15:2009+A1:2010 EN ISO 10517:2009  
 EN 55014-1:2006+A1:2009+A2:2011  
 EN 55014-2:+A1:2001+A2:2008  
 EN 61000-3-2:2006+A1:2009+A2:2009  
 EN 61000-3-3:2008

**Označenie CE:** ..... 14

Spoločnosti FAST PLUS , a.s. je oprávnená konať v mene výrobcu .

## Výrobca :

FAST ČR a.s.  
 Černokostelecká 2111 , 100 00 Praha 10  
 DIČ : CZ26726548

V Prahe, 7.5.2014

Meno : Zdeněk Pech  
 predseda predstavenstva

**FAST** FAST ČR, s. a. s.  
 Černokostelecká 1621, 251 01 Říčany  
 IČO: 26726548 tel.: +420/ 323 204 111  
 DIČ: CZ26726548 fax: +420/ 323 204 110



Podpis a pečiatka :

## 12. LIKVIDÁCIA

### POKYNY A INFORMÁCIE O ZAOBCHÁDZANÍ S POUŽITÝM OBALOM

Použitý obalový materiál odložte na miesto určené obcou na ukladanie odpadu.

### LIKVIDÁCIA POUŽITÝCH ELEKTRICKÝCH A ELEKTRONICKÝCH ZARIADENÍ



Tento symbol na produktoch alebo v sprievodných dokumentoch znamená, že použité elektrické a elektronické výrobky sa nesmú pridávať do bežného komunálneho odpadu. Na správnu likvidáciu, obnovu a recykláciu odovzdajte tieto výrobky na určené zberné miesta. V niektorých krajinách Európskej únie alebo iných európskych krajinách môžete vrátiť svoje výrobky miestnemu predajcovi pri kúpe ekvivalentného nového produktu. Správnou likvidáciou tohto produktu pomôžete zachovať cenné prírodné zdroje a napomáhate prevencii potenciálnych negatívnych dopadov na životné prostredie a ľudské zdravie, čo by mohlo byť dôsledkom nesprávnej likvidácie odpadov. Ďalšie podrobnosti si vyžiadajte od miestneho úradu alebo najbližšieho zberného miesta. Pri nesprávnej likvidácii tohto druhu odpadu môžu byť v súlade s národnými predpismi udelené pokuty.

#### Pre podnikové subjekty v krajinách Európskej únie

Ak chcete likvidovať elektrické a elektronické zariadenia, vyžiadajte si potrebné informácie od svojho predajcu alebo dodávateľa.

#### Likvidácia v ostatných krajinách mimo Európskej únie

Tento symbol je platný v Európskej únii. Ak chcete tento výrobok zlikvidovať, vyžiadajte si potrebné informácie o správnom spôsobe likvidácie od miestnych úradov alebo od svojho predajcu

Tento výrobok spĺňa všetky základné požiadavky smerníc EÚ, ktoré sa naň vzťahujú.



Zmeny v texte, dizajne a technických špecifikáciách sa môžu meniť bez predchádzajúceho upozornenia a vyhradzuje si právo na ich zmenu.



# Teleszkópos sövénynyíró

## HASZNÁLATI ÚTMUTATÓ

### TARTALOM

KÉPMELLÉKLET .....	3
1. ÁLTALÁNOS BIZTONSÁGI RENDELKEZÉSEK .....	50
Fontos biztonsági figyelmeztetések	
Csomagolás	
Használati útmutató	
2. A GÉPEN TALÁLHATÓ CÍMKÉK MAGYARÁZATA .....	51
3. A GÉP LEÍRÁSA ÉS A CSOMAGOLÁS TARTALMA .....	52
4. ÁLTALÁNOS BIZTONSÁGI UTASÍTÁSOK .....	53
5. A TELESZKÓPOS SÖVÉNYNYÍRÓ HASZNÁLATA .....	58
6. A TELESZKÓPOS SÖVÉNYNYÍRÓ ÖSSZEÁLLÍTÁSA .....	58
7. HASZNÁLAT .....	59
8. KARBANTARTÁS .....	60
9. TÁROLÁS .....	60
10. MŰSZAKI ADATOK .....	60
11. MEGFELELŐSÉGI NYILATKOZAT .....	61
12. MEGSEMISÍTÉS .....	62
JÓTÁLLÁSI JEGY, JÓTÁLLÁSI FELTÉTELEK .....	78 - 79

# 1. ÁLTALÁNOS BIZTONSÁGI ELŐÍRÁSOK

## Fontos biztonsági figyelmeztetések


- ✿ Figyelmesen csomagolja ki a terméket, és ügyeljen arra, hogy ne dobja ki a csomagolás semelyik részét mindaddig, amíg meg nem találta a termék valamennyi alkotóelemét.
- ✿ A terméket száraz helyen, gyermekektől távol tartsa.
- ✿ Olvassa el az összes figyelmeztetést és utasítást. A figyelmeztetések be nem tartás áramütéshez, tűzhoz és/vagy súlyos sérülésekhez vezethet.

## Csomagolás

A csomagolóanyag szállítás közben óvja a terméket. Ez a csomagolás nyersanyag, ezért újrahasznosítás céljával leadható.

## Használati útmutató

Mielőtt megkezdene a munkavégzést a készülékkel, olvassa el figyelmesen a következő biztonsági és használati utasításokat. Ismerkedjen meg a gép kezelőszerveivel, és a helyes használat szabályaival. A használati útmutató őrizze meg egy esetleges későbbi újraolvasáshoz. A csomagolóanyagot, beleértve a belső csomagolóanyagot, a pénztárblokkot és a jótállási jegyet is, ajánlott legalább a jótállás érvényessége alatt megőrizni. Szállítás esetén csomagolja vissza a készüléket a gyártótól kapott eredeti dobozba, így biztosíthatja a termék esetleges szállítás közbeni maximális védelmét (pl. költözés vagy szervizbe küldés).

 **Megjegyzés:** Amennyiben a készüléket más személyeknek kívánja átadni, mellékelje a használati útmutatót is. A mellékelt használati útmutató betartása a sövénynyíró előírászerű használatának előfeltétele. A használati útmutató egyben használati, kezelési és javítási utasításokat is tartalmaz.

**A gyártó nem felel a jelen használati útmutató be nem tartása következtében felmerült sérülésekért vagy károkért.**

## 2. A GÉPEN TALÁLHATÓ CÍMKÉK MAGYARÁZATA



FIGYELEM!



Olvassa el figyelmesen a szerszám használati útmutatóját, és győződjön meg róla, hogy megértett minden utasítást, megismerkedett a szerszám összes kezelőszervével, és tudja, melyik kezelőszerv mire szolgál.



Ha a gép tápkábele megsérül, azonnal húzza ki a készüléket az elektromos hálózathoz.



Soha ne tegye ki a szerszámot esőnek. Ne hagyja elől a szerszámot, ha esik.



Szemvédő használata javasolt.



Használjon fülvédőt.



Használjon munkakesztyűt.



Vigyázzon a lehulló ágakra.

## 3. A GÉP LEÍRÁSA ÉS A CSOMAGOLÁS TARTALMA

### A gép leírása (lásd 1. ábra)

- |                           |                    |
|---------------------------|--------------------|
| 1. Védőburkolat           | 10. Befogó tok     |
| 2. Vágóléc                | 11. Hátsó toldat   |
| 3. Védőpajzs              | 12. Markolat       |
| 4. Motor                  | 13. Kapocs         |
| 5. Fejbeállító gomb       | 14. Válszíz        |
| 6. Csatlakoztató markolat | 15. Biztosíték     |
| 7. Rögzítő elem           | 16. Kapcsolók      |
| 8. Elülső toldat          | 17. Kapcsoló       |
| 9. Rögzítő elem           | 18. Csatlakozódugó |

## A csomagolás tartalma

Óvatosan emelje ki a gépet a csomagolásból, hogy tartalmazza az összes alább feltüntetett alkatrészt:

- ✿ Olló
- ✿ Vágósín
- ✿ Sínburkolat
- ✿ Vállszíj
- ✿ Használati útmutató

## 4. ÁLTALÁNOS BIZTONSÁGI UTASÍTÁSOK

**⚠ FIGYELEM!** Biztonsági okokból kifolyólag az elektromos sövénynyíró kizárólag 16 év felett használható, továbbá nem használhatják a jelen használati útmutatóval meg nem ismerkedett személyek. A csökkent szellemi vagy fizikai képességű személyek kizárólag abban az esetben használhatják a sövénynyírót, ha felelős személy felügyelete alatt állnak, vagy szakképzett felelős személy ismertette velük a szerszám használatára vonatkozó rendelkezéseket.

**⚠ FIGYELEM!** Helytelen használat esetén ez az elektromos szerszám veszélyforrást jelenthet. Tartsa be a jelen használati útmutatóban feltüntetett figyelmeztető és biztonsági rendelkezéseket; kizárólag így módon biztosítható a megfelelő biztonság és munkavégzési hatékonyság. A jelen használati útmutatóban feltüntetett figyelmeztető és biztonsági utasítások betartásáért a szerszámot kezelő személy felel. Soha ne használja a szerszámot, ha nincsenek a helyükön szerszám gyártója által helyesen felszerelt védőburkolati elemek.

### Az elektromos szerszámokkal folytatott munkavégzésre vonatkozó alapvető biztonsági előírások

**⚠ FIGYELEM!** Ismerkedjen meg a szerszám kezelésére vonatkozó összes figyelmeztetéssel és biztonsági utasítással. A figyelmeztetések vagy utasítások be nem tartása áramütést, tüzet és / vagy súlyos személyi sérülést okozhat.

**⚠ FIGYELEM!** Minden figyelmeztetést és biztonsági utasítást az újbóli átolvasás érdekében praktikus helyen őrizze.

A figyelmeztetéseken alkalmazott "elektromos készülék" kifejezés a hálózatba (csatlakozó kábellel) csatlakoztatható elektromos és az akkumulátoros (vezeték nélküli) készülékekre is vonatkozik.

## A munkaterület biztonsága

- ✿ Tartsuk a munkaterületet tisztán, és jól világítsuk ki! A rendezetlen vagy sötét területek a balesetek gyakori forrásai.
- ✿ Ne üzemeltesse az elektromos készülékeket robbanásveszélyes légkörben, például gyúlékony folyadékok, gázok vagy por esetén. Az elektromos készülékek szikráznak, amelyekből a por vagy a gőzök meggyulladhatnak.
- ✿ A gyermekek és közlekedő személyek távol tartandók az elektromos készülék üzemeltetése alatt. Ha bármi elvonja a figyelmét, elveszítheti a készülék feletti ellenőrzést.

## Elektromos biztonság

- ✿ Az elektromos készülék csatlakozó dugóinak meg kell felelniük a csatlakozó aljzatnak. Soha ne alakítsa át semmilyen módon a csatlakozó dugót! Ne használjon semmilyen adapter dugót földelt elektromos készülékhez! A csatlakozó dugó és a csatlakozó aljzat átalakítása növeli az áramütés kockázatát.
- ✿ Kerülje az érintkezést az olyan földelt felületekkel, mint a csővezetékek, radiátorok, háztartási készülékek és hűtőgépek. Nő az áramütés kockázata, ha a földelt készülékekhez ér.
- ✿ Ne tegye ki az elektromos készülékeket eső vagy nedvesség hatásának! Az elektromos készülékbe bekerülő víz növeli az áramütés kockázatát.
- ✿ A vezetékét csak rendeltetésszerűen használja! Soha ne használja a vezetékét arra, hogy az elektromos készüléket a csatlakozókábelnél fogva szállítsa, húzza, vagy hogy a vezetéknel fogva húzza ki a dugót a hálózati csatlakozóaljzatból! Tartsa távol a vezetékét hőtől, olajtól, éles tárgyaktól vagy mozgó részeketől! A sérült vagy összegabalyodott vezeték megnöveli az áramütés kockázatát.
- ✿ Az elektromos készülék szabadban végzett üzemeltetése során a szabadtéri használathoz megfelelő hosszabbító kábelt használjon. A szabadtéri használatra alkalmas kábel használata csökkenti az áramütés kockázatát.
- ✿ Ha az elektromos készüléket nedves helyen kell használni, maradékáram elvén működő (RCD) védőeszközt alkalmazzon! Az RCD alkalmazása csökkenti az áramütés kockázatát.

## Személyi biztonság

- ✿ Mindig legyen éber, figyeljen oda arra, amit csinál, józan ésszel használja az elektromos készüléket. Ne használja az elektromos készüléket ha fáradt, vagy gyógyszerek, alkohol vagy kábítószerek hatása alatt. Az elektromos készülékek használata során a figyelem egy pillanatnyi lankadása is súlyos személyi sérüléshez vezethet.
- ✿ Használjon személyi védőfelszerelést! Mindig védje a szemét! Az olyan védőeszközök, mint a porvédő maszk, a csúszásmentes biztonsági cipő, a sisak, vagy a fülvédő használata megfelelő feltételek esetén csökkenti a személyi sérülés kockázatát.

- ✿ Meg kell előzni a készülék véletlenszerű beindítását! Ügyeljen rá, hogy a kapcsoló ki legyen kapcsolva, mielőtt csatlakoztatja a készüléket az áramforráshoz és/vagy az akkumulátorhoz, illetve amikor felemeli vagy egyik helyről a másikra viszi a készüléket! Ha úgy viszi egyik helyről a másikra az elektromos készüléket, hogy az ujjja a kapcsolón van, vagy a kapcsolóra tett kézzel helyezi áram alá, balesetet okozhat.
- ✿ Mielőtt bekapcsolja az elektromos készüléket, távolítsa el minden állítókulcsot vagy csavarkulcsot! Az elektromos készülék forgó részében felejtett kulcs vagy csavarkulcs személyi sérülést okozhat.
- ✿ Ne hajoljon a készülék fölé! Mindig tartson megfelelő távolságot, és őrizze meg az egyensúlyát! Ez váratlan helyzetekben is jobb ellenőrzést biztosít az elektromos készülék felett.
- ✿ Öltözzön megfelelően! Ne viseljen bő ruhát vagy ékszert! Tartsa távol a haját, a ruházatát és kesztyűjét a mozgó alkatrészektől! A bő ruhát, ékszert vagy a hosszú hajat elkaphatják a mozgó alkatrészek.
- ✿ Ha a készülék fel van szerelve porvédő és gyújtó eszközzel, ügyeljen rá, hogy ezek csatlakoztatása és alkalmazása megfelelő módon történjen. A porgyújtó használata csökkentheti a porral kapcsolatos kockázatokat.

## Az elektromos készülék használata és kezelése

- ✿ Ne erőltesse túl az elektromos készüléket! Az elektromos készüléket minden esetben rendeltetésszerűen használja! Az elektromos készülék jobban és biztonságosabban működik az eredetileg tervezett sebességgel.
- ✿ Ne használja az elektromos készüléket, ha a kapcsolója nem kapcsol be vagy ki! Ha az elektromos készülék nem irányítható a kapcsolóval, ez veszélyes, és javítást igényel.
- ✿ Húzza ki az áramforrásból és/vagy az akkumulátorból az elektromos készülék csatlakozódugóját bármilyen átállítás, a tartozékok cseréje, vagy az elektromos készülék tárolása előtt! Az ilyen megelőző biztonsági intézkedések csökkentik az elektromos készülék véletlenszerű beindulásának kockázatát.
- ✿ A leállított elektromos készülékeket gyermekektől távol kell tárolni, és tilos az üzemeltetése olyan személyek számára, akik nem ismerkedtek megfelelő módon meg a készülékkel, vagy a jelen használati útmutatóval. Az elektromos készülékek veszélyesek a hozzá nem értők kezében.
- ✿ Az elektromos készülékek karbantartást igényelnek. Ellenőrizze le, hogy a mozgó alkatrészek a helyükön vannak-e, vagy rögzítve vannak, vizsgálja meg, nincsenek-e közöttük sérült alkatrészek, vagy nem fenyegeti-e bármilyen más körülmény az elektromos készülék működését. Meghibásodás esetén használat előtt javíttassa meg az elektromos készüléket! Sok balesetet okozott már rosszul karbantartott elektromos készülék.
- ✿ A vágó szerszámokat tartsuk élesen és tisztán! A megfelelően karbantartott vágó szerszámok éles vágóélekkel kevésbé hajlamosak az elgörbülésre, és könnyebben szabályozhatók.

- ✿ Az elektromos készüléket, a tartozékokat és szerszámokat stb. a jelen használati útmutatóval összhangban használjuk, figyelembe véve az üzemi feltételeket és az elvégezni kívánt munkát! Az elektromos készülék nem rendeltetésszerű használata veszélyt okozhat.

## Szerviz

- ✿ Az elektromos készüléket szakképzett személlyel javíttassa, minden esetben kizárólag gyári pótalkatrészek felhasználásával! Ez biztosítja az elektromos készülék továbbra is biztonságos működését.

## Teleszkópos sövénynyíróval végzett munkára vonatkozó biztonsági utasítások

- ✿ Tartsa távol minden testrészét a vágókéstől! Ne távolítsa el a lenyírt anyagot, és soha ne tartsa oda a lenyírandó anyagot, amikor a vágókés mozognak! Ügyeljen arra, hogy kikapcsolja a gépet, amikor el kívánja távolítani belőle az elakadt anyagot. A sövénynyíró üzemeltetése közben a figyelem egy pillanatnyi lankadása is súlyos személyi sérüléshez vezethet.
- ✿ A sövénynyíró úgy vigye a kezében, hogy a vágókés ne mozogjon. A sövénynyíró szállítása vagy tárolása közben mindig helyezze fel a vágókés burkolatát! A sövénynyíró megfelelő kezelése csökkenti a személyi sérülések kockázatát.
- ✿ A sövénynyíró a szigetelt tartókegnyelnél fogja arra az esetre ha a kéz érintkezne a vezetékkel. Ha a vágókés érintkezik a feszültség alatt álló vezetékkel, a fém alkatrészek is feszültség alá kerülhetnek, és így áramütést okozhatnak.
- ✿ A kábelt mindig tartsa távol a nyírási területtől! Működés közben a kábel elrejtőzhet a fűben, és véletlenül elvághatja a penge.

## További biztonsági rendelkezések

- ✿ A munkaterület biztonsága

A gépet kizárólag rendeltetésszerűen, a jelen használati útmutatóban ismertetett módon használja! A berendezés üzemeltetője a felelős más személyek sérüléséért, valamint az esetlegesen bekövetkező vagyoni kárért.

## Elektromossággal kapcsolatos tudnivalók

- ✿ Javasolt 30 mA-nél kisebb kapcsolási áramra méretezett érintésvédelmi kapcsoló használata. Használat előtt minden esetben ellenőrizze az érintésvédelmi kapcsolóját!
- ✿ Használat előtt mindig ellenőrizze le a csatlakozóvezeték épségét! A megrongálódott, sérült kábelt cserélje ki.
- ✿ Ne használja a gépet, ha az elektromos vezeték megrongálódott vagy sérült!
- ✿ A kábel elvágása vagy a szigetelés megsérülése esetén azonnal húzza ki a készüléket az elektromos hálózatról!



- ✿ Ne érintse meg a készüléket, amíg ki nem húzta az elektromos hálózatról! Ne próbálja megjavítani az elvágott vagy megsérült kábelt! Cseréltesse ki újra!
- ✿ A hosszabbító kábelnek nem szabad összetekerednie. Az összetekeredett kábel túlmelegedhet, és csökkentheti a gép hatékonyságát.
- ✿ A csatlakozódugó kihúzása előtt először mindig kapcsolja ki a készüléket!
- ✿ A berendezés lekapcsolása, valamint a csatlakozódugó hálózati csatlakozóaljzatról történő kihúzása után minden esetben először ellenőrizze le az elektromos vezeték épségét, mielőtt azt tárolás céljából összetekerné! Ne próbálja megjavítani az elvágott vagy megsérült kábelt! Cseréltesse ki újra!
- ✿ A kábelt mindig óvatosan tekerje fel, kerülje annak összegabalyodását!
- ✿ Kizárólag a termék műszaki adatlapján feltüntetett váltóáramú feszültség mellett használja a készüléket.
- ✿ Tilos a termék bármely részének földelése

## Hosszabbító kábel

- ✿ Kizárólag engedélyezett HD 516 hosszabbító vezetéket használjon.
- ✿ Forduljon szakképzett villanyszerelőhöz.

## Személyi biztonság

- ✿ Mindig viseljen megfelelő munkaruhát, védőkesztyűt és lábbelit!
- ✿ A sövénynyíró használata előtt mindig alaposan vizsgálja át a munkaterületet, és távolítson el minden drótot és egyéb idegen tárgyat!
- ✿ A szerszám beállítása során (vágógéység elforgatása, vágófej megdöntése stb.) először helyezze fel a vágósínre a védőburkolatot. E műveletek során a sövénynyíró nem támaszkodhat a vágóéltre.
- ✿ Használat előtt, vagy bármilyen ütdést követően ellenőrizze le, hogy nem rongálódott-e vagy sérült-e meg a készülék. Szükség esetén javíttassa meg.
- ✿ Ügyeljen arra, hogy a sövénynyíróhoz mellékelt kézzel védő fel legyen szerelve a berendezés használata előtt!
- ✿ Soha ne használjon hiányosan összeszerelt sövénynyírót vagy olyan készüléket, amelyen illetéktelen személy módosításokat végezett!

## Az elektromos készülék használata és karbantartása

- ✿ Legyen tisztában a sövénynyíró gyors, szükséghelyzetben történő megállításának módjával.
- ✿ Soha ne tartsa a sövénynyírót annak kézzel védőjénél fogva!
- ✿ Ne használja a készüléket, ha a biztonsági berendezések (fogantyú, kézi indítógomb, védőborítás, kés-blokkoló) meghibásodtak.
- ✿ Ne használjon háztartási létrát a sövénynyíró gép működtetése közben.

- ✿ Távolítsa el a csatlakozódugót a hálózati aljzattól :
  - amennyiben bármely hosszúságú időtartamra a készüléket felügyelet nélkül hagyja;
  - eltömődés megszüntetése előtt;
  - ellenőrzés, tisztítás vagy a berendezésen végzett bármely karbantartási munka során;
  - ha idegen tárgy kerül a vágószerkezetbe.  
Ne használja a készüléket, amíg meg nem győződik annak abszolút biztonságos állapotáról:
  - ha a készülék rendellenesen vibrálni kezd, haladéktalanul keresse meg e tünet kiváltó okát, mivel a túlzott rezgés akár balesetet is okozhat,
  - mielőtt átnyújtja a berendezést más személynek.

### Karbantartás és tárolás

**⚠ FIGYELEM! SÉRÜLÉSVESZÉLY!** Soha ne nyúljon a vágókéshez!

**⚠ FIGYELEM!** A munka megszakításakor vagy a befejezését követően emelje fel a védőburkolatot.

- ✿ Biztosítsa, hogy minden anya és csavar megfelelően meg legyen húzva, ezzel biztosíthatja a szerszám biztonságos használatát.

## 5. A TELESZKÓPOS SÖVENYNYÍRÓ HASZNÁLATA

### Helyes használat

- ✿ Az elektromos sövénynyíró élő sövények és bokrok kiskerti nyírására szolgál.
- ✿ Az elektromos sövénynyíró helyes használatának előfeltétele a jelen használati útmutatóban ismertetett előírások betartása.

**⚠ FIGYELEM! BALESETVESZÉLY!**

Tilos az elektromos sövénynyírót fűnyírásra, fűszegély nyírásra, vagy komposztálásra használt anyag aprítására használni.

## 6. A SZERSZÁM ÖSSZESZERELÉSE

- ✿ Oldja meg a csatlakozómarkolaton található rögzítő elemet (7) (lásd a 2. képet).
- ✿ Illessze a hátsó markolatot (A) irányba az első részbe (lásd a 3. képet). Ellenőrizze le, hogy az 1. horony (az elülső rúdon található 1. horony) a 2. nyílásba illeszkedik (2 nyílás a csatlakozó markolaton).
- ✿ Illessze a rögzítő elemet (7) (B) irányba a menetes nyílásba (lásd az 4. képet), majd fixen csavarozza be (A) irányba. Ellenőrizze le, hogy a kötés megfelelően meg van húzva.

## 7. HASZNÁLAT


### A motoros fej dőlésszögének beállítása

- ✿ A motoros fej 8 különböző munkavégzési szögbe állítható.
- ✿ Nyomja meg egy kézzel a PUSH feliratú beállítógombot, majd forgassa el a motort a kívánt szögbe. A gomb felengedését követően a motoros fej automatikusan a beállított helyzetben rögzül (lásd az 5. képet).

### A teleszkópos toldat hosszának beállítása

Az elektromos sövénynyíró teleszkópos toldatának hossza 1,85 métertől (maximális terhelés) 2,45 méterig (teljes kiegyenesítés) tartományban mozog. A rögzítő elemes befogók bármilyen hossz esetén megfelelő szilárdságot biztosít.

- ✿ toldat meghosszabbításához lazítsa meg (A) irányba a rögzítő elemet (7) (lásd a 6. képet). Ekkor toldat könnyedén meghosszabbítható.
- ✿ Húzza meg a toldat elülső részét, és állítsa be a kívánt hosszúságúra.

 **Megjegyzés:** A toldatot minden esetben kizárólag az adott munka végzéséhez elegendhetően szűkséges hosszúságúra állítsa be..

- ✿ A toldat kívánt helyzetben rögzítéséhez húzza meg (B) irányba a rögzítő elemet (7) (lásd a 6. képet).

### Az elektromos sövénynyíró bekapcsolása

- ✿ (A) irányba húzza vegye le a védőburkolatot (1) a vágósínről (2) (lásd a 7. képet).
- ✿ Állítsa a motoros fejet a kívánt állásba, majd állítsa be a teleszkópos toldat kívánt hosszát.
- ✿ Csatlakoztassa a csatlakozódugót a hálózati csatlakozóaljzathoz.
- ✿ Fogja meg fixen két kézzel a markolatot. A toldatot az előírt pontokon fogja (B), és használja a vállszíjat is (lásd a 7. képet). A markolatot valóban fixen fogja. A hüvelykujjnak és a többi ujjnak fixen kell fogniuk a szerszámot.
- ✿ Ügyeljen arra, hogy a testtartása stabil legyen. Széttett lábakkal álljon. A testsúlyával egyenletesen terhelje a két lábát.
- ✿ Amennyiben felkészült a sövénynyírásra, nyomja meg a ravasz biztonsági gombját (16) majd húzza meg magát a ravaszt (17) (lásd a 9. képet). Ezzel beindítja a készüléket. A kapcsoló felengedését követően a sövénynyíró leáll. A nyírás megkezdése előtt a készüléknek már minden esetben bekapcsolt állapotúnak kell lennie.
- ✿ Sövénynyírásakor illesse a vágókést az ághoz. Tartsa fixen a készülék markolatát.
- ✿ A sövénynyírás elvégzését követően teljes fordulatszám mellett távolítsa el a készüléket a nyírás helyszínéről. Mielőtt leengedné a föld felé a markolatot, ellenőrizze le, hogy a sövénynyíró valóban leállt.

## 8. KARBANTARTÁS

### A sövénynyíró tisztítása

- ⚠ **FIGYELEM!** Személyi sérülés / áramütés veszélye!  
Karbantartás előtt a sövénynyírót húzza ki a hálózati csatlakozóból és a késvédőt helyezze fel a késre.
- ✿ A sövénynyírót ne tisztítsa folyó víz alatt, különösen ne nagy nyomású víz sugárral.
- ✿ A sövénynyírót egy nedves ronggyal tisztítsa meg.
- ✿ A kést alacsony viszkozitású olajjal kenje be. Kerülje el a műanyag alkatrészekkel való érintkezést.

## 9. TÁROLÁS

- ⚠ **FIGYELEM!** Az elektromos sövénynyírót gyermekektől távol tartsa.
- ✿ Húzza ki az elektromos sövénynyírót az elektromos hálózatról.
- ✿ Tisztítsa meg az elektromos sövénynyírót a 7. sz. Karbantartás c. fejezetben olvasható utasítások szerint, majd húzza fel a védőburkolatot a vágósínre.
- ✿ Az elektromos sövénynyírót száraz, fagyoktól védett helyen tárolja.

## 10. MŰSZAKI ADATOK

Feszültség/frekvencia	230V-240V/50Hz
Bemenő teljesítmény	450 W
Vágósín fogköz	16 mm
Rezgési sebesség	1600/min
Hangteljesítményszint (LWA)	mért 94 dB(A)/garantált 100 dB(A)
Kéz/kar rezgés, súlyozott effektív gyorsulási érték	< 2,5 m/s <sup>2</sup>
Teljes hossz	1,9 m - 2,5 m
Vágósín hossza	460 mm
Súly	3,7 Kg
Maximális vágási átmérő	16mm
Beállítható fejszög	+60°-tól -80°

A felhasználói útmutató nyelvi mutációja.

# 11. MEGFELELŐSÉGI NYILATKOZAT

**Termék / márka:** ELEKTROMOS SÖVÉNYVÁGÓ OLLÓ / FIELDMANN

**TÍPUS / MODELL:** FZN 6005-E ..... 230V, 450W, 50Hz, II. osztály

## A termék az alább felsorolt előírásoknak:

- ☼ Az Európai Parlament és a Tanács 2000/14/EK irányelve (2000. május 8.) a kültéri használatra tervezett berendezések zajkibocsátására vonatkozó tagállami jogszabályok közelítéséről
- ☼ Az Európai Parlament és a Tanács 2006/42/EK irányelve (2006. május 17.) a gépekről és a 95/16/EK irányelv módosításáról (átdolgozás)
- ☼ Az Európai Parlament és a Tanács 2004/108/EK irányelve (2004. december 15.) az elektromágneses összeférhetőségre vonatkozó tagállami jogszabályok közelítéséről és a 89/336/EGK irányelv hatályon kívül helyezéséről
- ☼ Az Európai Parlament és a Tanács 2002/95/EK irányelve (2003. január 27.) egyes veszélyes anyagok elektromos és elektronikus berendezésekben való alkalmazásának korlátozásáról

## és szabványoknak megfelel:

EN 60745-1:2009+A11:2010  
 EN 60745-2-15:2009+A1:2010  
 EN ISO 10517:2009  
 EN 55014-1:2006+A1:2009+A2:2011  
 EN 55014-2:+A1:2001+A2:2008  
 EN 61000-3-2:2006+A1:2009+A2:2009  
 EN 61000-3-3:2008

**CE jel:** ..... 14

A FAST ČR, a.s. a gyártó nevében eljárni jogosult szervezet.

## Gyártó:

FAST ČR, a.s.  
 Černokostelecká 2111, 100 00 Prága 10  
 ASZ: CZ26726548

Kelt Praha, 7.5.2014-en

Név: Zdeněk Pech

**FAST**<sup>®</sup> FAST ČR, a.s.  
 Černokostelecká 1621, 251 01 Píčov  
 IČO: 26726548 tel.: +420/ 323 204 111  
 DIČ: CZ26726548 fax: +420/ 323 204 110



az igazgatóság elnöke Alírás és bélyegző:

## 12. MEGSEMMISÍTÉS

### UTASÍTÁSOK ÉS TÁJÉKOZTATÓ A HASZNÁLT CSOMAGOLÓANYAG KEZELÉSÉRŐL.

A használt csomagolóanyagot helyezze a község által erre a célra kijelölt hulladékgyűjtőbe.

### A HASZNÁLT ELEKTROMOS ÉS ELEKTRONIKUS BERENDEZÉSEK LIKVIDÁLÁSA



A termékeken vagy a kísérő dokumentumokban levő jel azt jelzi, hogy a használt elektromos és elektronikus termékeket tilos a megszokott települési hulladékba rakni. A megfelelő likvidálás, felújítás vagy újrahasznosítás céljával adja át ezen termékeket a kijelölt gyűjtőhelyre. Az EK némely országában vagy más európai országokban alternatív módon a terméket visszaviheti az értékesítőnek, akitől a terméket megvásárolta egy új, ekvivalens termék vásárlása esetén. Ezen termék megfelelő likvidálásával hozzásegít az értékes természeti kincsek megőrzéséhez és segíti a környezetre és emberi egészségre gyakorolt potenciális negatív hatások megelőzését, ami a helytelen hulladék likvidálás következménye lehet. A további részleteket a helyi hivatalban vagy a legközelebbi gyűjtőhelyen kaphat. Az ilyen jellegű hulladék helytelen likvidálása a nemzeti előírásoknak megfelelően bírsággal sújtható.

#### Az Európai Közösség országában működő cégek részére

Ha elektromos vagy elektronikus berendezéseket kíván likvidálni, kérje ki a szükséges információkat az kereskedelmi képviselőjénél vagy az áru értékesítőjénél.

#### Likvidálás az Európai Közösségen kívüli országokban

Ez a jel az Európai Közösségen belül érvényes. Ha ezen terméket kívánja likvidálni, a megfelelő likvidálást illetően kérje a tájékoztatást a helyi hivatalokban vagy áru értékesítőjénél.



Ezen termék megfelel az EK szabványok alapvető követelményeinek, amelyek a terméket érintik.

A szöveg, formatervezés és műszaki specifikációk változása megengedett előzetes figyelmeztetés nélkül és fenntartjuk magunknak a jogot azok módosítására.

# Nożyce do cięcia żywoplotu z wsięgnikiem teleskopowym

## INSTRUKCJA OBSŁUGI

### SPIIS TREŚCI

ZAŁĄCZNIK GRAFICZNY .....	3
1. OGÓLNE PRZEPISY BEZPIECZEŃSTWA .....	64
Ważne uwagi dotyczące bezpieczeństwa	
Opakowanie	
Instrukcja obsługi	
2. SYMBOLE .....	65
3. OPIS MASZYN I ZAWARTOŚĆ DOSTAWY .....	66
4. ZASADY BEZPIECZEŃSTWA .....	67
5. GDZIE STOSOWAĆ ELEKTRYCZNE NOŻYCE DO CIĘCIA ŻYWOPLÓTU Z WYSIĘGNIKIEM TELESKOPOWYM .....	72
6. MONTAŻ NARZĘDZIA .....	73
7. EKSPLOATACJA .....	73
8. KONSERWACJA .....	74
9. SKŁADOWANIE .....	74
10. DANE TECHNICZNE .....	75
11. DEKLARACJA ZGODNOŚCI .....	76
12. LIKWIDACJA .....	77
 KARTA GWARANCYJNA, WARUNKI GWARANCJI .....	 78 - 79

# 1. OGÓLNE PRZEPISY BEZPIECZEŃSTWA

## Ważne uwagi dotyczące bezpieczeństwa


- ✿ Produkt należy starannie rozpakować, należy zwrócić uwagę na wyjęcie z opakowania wszystkich części produktu.
- ✿ Produkt należy przechowywać w miejscu suchym, zabezpieczyć przed dostępem dzieci.
- ✿ Przeczytać wszelkie uwagi i instrukcje. Zaniedbania w stosunku do uwag i instrukcji mogą być powodem urazu, pożaru i/lub ciężkiego zranienia.

## Opakowanie

Produkt jest zapakowany do opakowania chroniącego go przed uszkodzeniem w czasie transportu. Opakowanie jest surowcem wtórnym i należy poddać je recyklingowi.

## Instrukcja obsługi

Przed rozpoczęciem korzystania z urządzenia należy zapoznać się z poniższymi przepisami bezpieczeństwa i instrukcją obsługi. Należy zapoznać się z elementami obsługi i właściwym korzystaniem z urządzenia. Instrukcje należy przechowywać w celu późniejszego z niej korzystania. Przez okres trwania gwarancji zaleca się przechowanie oryginalnego opakowania wraz z materiałami opakunkowymi, dokument zakupu i kartę gwarancyjną. Przechowanie opakowania ułatwi w przyszłości ewentualny transport urządzenia (przeprowadzka, odesłanie do naprawy).

 **Uwaga:** Jeżeli nastąpi przekazanie urządzenia innym użytkownikom, należy przekazać również instrukcję obsługi. Stosowanie się do zaleceń zawartych w instrukcji zapewni właściwe użytkowanie urządzenia. Instrukcja obsługi zawiera również instrukcje konserwacji urządzenia i napraw.

**Producent nie ponosi odpowiedzialności za wypadki lub szkody powstałe w wyniku nie stosowania się do niniejszej instrukcji obsługi.**



## 2. SYMBOLE



### OSTRZEŻENIE!



Należy uważnie przeczytać instrukcję obsługi i upewnić się czy wszystkie zalecenia są w pełni jasne, czy wiadome jest, który wyłącznik do czego służy.



W przypadku nacięcia lub uszkodzenia przewodu należy natychmiast wyjąć wtyczkę z gniazda.



Nie używać i nie narażać narzędzia na działanie deszczu. Nie pozostawiać narzędzia na zewnątrz w czasie deszczu.



Zalecamy stosowanie okularów ochronnych.



Zalecamy stosowanie ochronników słuchu.



Należy używać rękawic roboczych.



Uwaga na spadające gałęzie.

### 3. OPIS MASZYNY I ZAWARTOŚĆ DOSTAWY

**Opis maszyny** (patrz rys. 1)

- |                                |                       |
|--------------------------------|-----------------------|
| 1. Osłona                      | 10. Tuleja zaciskowa  |
| 2. Listwa tnąca                | 11. Uchwyt tylny      |
| 3. Osłona ochronna             | 12. Obszar uchwytu    |
| 4. Silnik                      | 13. Klamra            |
| 5. Przycisk ustawienia głowicy | 14. Uprząż naramienna |
| 6. Uchwyt łączący              | 15. Bezpiecznik       |
| 7. Element blokujący           | 16. włącznik          |
| 8. Uchwyt przedni              | 17. Włącznik          |
| 9. Element blokujący           | 18. wtyczka           |

## Zawartość opakowania

Maszynę ostrożnie wyjąć z opakowania i sprawdzić, czy poniżej wymienione elementy są kompletne:

- ✿ Nożyce
- ✿ Listwa tnąca
- ✿ Osłona listwy
- ✿ Uprząż naramienna
- ✿ Instrukcja obsługi

## 4. ZASADY BEZPIECZEŃSTWA

**⚠ UWAGA!** Z powodu zasad zachowania bezpieczeństwa elektrycznych nożyc do cięcia żywopłotu nie mogą obsługiwać osoby do lat 16 oraz osoby, które nie zapoznały się z zaleceniami zawartymi w niniejszej instrukcji. Osoby z problemami psychicznymi lub fizycznymi mogą obsługiwać elektryczne nożyce do cięcia żywopłotu tylko pod nadzorem osoby odpowiedzialnej lub jeżeli zostały odpowiednio przeszkolone przez odpowiednio przygotowaną osobę upoważnioną.

**⚠ UWAGA!** W razie niewłaściwego używania powyższe narzędzie może stwarzać określone zagrożenie. Należy stosować się do ostrzegawczych zaleceń bezpieczeństwa zamieszczonych w niniejszej instrukcji obsługi; tylko w ten sposób można zapewnić odpowiedni poziom bezpieczeństwa i efektywności podczas pracy z tym narzędziem. Za stosowanie się do zaleceń ostrzegawczych i dotyczących bezpieczeństwa odpowiedzialność ponosi osoba obsługująca narzędzie. Nigdy nie należy używać narzędzia, jeżeli osłony zabezpieczające zamontowane przez producenta narzędzia nie znajdują się w prawidłowej pozycji.

### Podstawowe zalecenia dotyczące bezpieczeństwa przy pracy z narzędziem elektrycznym

**⚠ UWAGA!** OSTRZEŻENIE! Należy zapoznać się z wszystkimi ostrzegawczymi i zaleceniami dotyczącymi bezpieczeństwa oraz instrukcją obsługi narzędzia. Nieprzestrzeganie wskazówek ostrzegawczych i bezpieczeństwa może skutkować porażeniem prądem elektrycznym, powstaniem pożaru i/lub spowodowaniem wypadku

**⚠ UWAGA!** Wszystkie wskazówki ostrzegawcze i bezpieczeństwa należy przechować w celu przyszłego wykorzystania.

Pod pojęciem „narzędzie elektryczne” we wszystkich kolejnych zamieszczonych wskazówkach ostrzegawczych rozumieć należy narzędzie elektryczne zasilane z sieci energetycznej jak również narzędzie zasilane z akumulatora.

## Bezpieczeństwo środowiska pracy

- ✿ Miejsce pracy powinno być posprzątane i dobrze oświetlone. Nieporządek i miejsca zaciemnione na stanowisku pracy bywają powodem wypadków.
- ✿ Nie wolno używać narzędzi elektrycznych w środowisku zagrożonym wybuchem, tam gdzie występują ciecze łatwopalne, gazy lub pył. Narzędzia elektryczne iskrzą, iskry mogą zapalić pył lub pary.
- ✿ Przy używaniu narzędzia elektrycznego należy zabronić dostępu dzieciom i osobom postronnym. Roztargnienie powoduje możliwość utraty nad wykonywaną czynnością.

## Bezpieczeństwo podczas pracy z użyciem narzędzia elektrycznego

- ✿ Wtyczka przewodu zasilania musi odpowiadać parametrom gniazda zasilającego. Nigdy nie należy w żaden sposób samowolnie przerabiać wtyczki. Przy narzędziu, które wyposażone jest w uzziemienie ochronne, nie wolno stosować żadnych adapterów wtykowych. Wtyczki, które nie są uszkodzone przez przeróbki oraz odpowiednie gniazda, ograniczają możliwość porażenia prądem elektrycznym.
- ✿ Należy wystrzegać się kontaktu z przedmiotami uziemionymi, takim jak np. rurociągi, grzejniki centralnego ogrzewania, kuchenki i lodówki. Zagrożenie porażenia prądem elektrycznym wzrasta, jeżeli występuje bezpośredni kontakt z podłożem.
- ✿ Nie narażać narzędzia elektrycznego na działanie deszczu, wilgoci lub wody. Jeżeli do narzędzia elektrycznego przedostanie się woda wzrasta zagrożenie porażenia prądem elektrycznym.
- ✿ Nie używać ruchomego przyłącza do innych celów. Nigdy nie należy przenosić lub ciągnąć narzędzia elektrycznego za przewód ani wyciągać wtyczki z gniazda pociągając za przewód. Przewód elektryczny należy chronić przed gorącym, załuszczeniem, ostrymi krawędziami i elementami ruchomymi. Uszkodzone lub splątane przewody zwiększają zagrożenie porażenia prądem elektrycznym.
- ✿ Jeżeli narzędzie elektryczne jest używane na zewnątrz, należy stosować przedłużacz odpowiedni do używania na zewnątrz. Stosowanie przedłużacza przystosowanego do użytkowania na zewnątrz ogranicza zagrożenie porażenia prądem elektrycznym.
- ✿ Jeżeli konieczne jest użytkowanie narzędzia elektrycznego w środowisku wilgotnym, należy zastosować w obwodzie zasilającym wyłącznik różnicowoprądowy (RCD). Zastosowanie wyłącznika różnicowoprądowego (RCD) obniża zagrożenie porażenia prądem.

## Bezpieczeństwo osób

- ✿ Podczas pracy z użyciem narzędzia elektrycznego należy być ciągle czujnym, uważać na to co się robi. Nie używać do pracy narzędzia elektrycznego będąc pod wpływem narkotyków, alkoholu lub leków. Moment nieuwagi przy pracy z użyciem narzędzia elektrycznego może skutkować poważnym wypadkiem.

- ✿ Stosować środki ochrony osobistej. Zawsze stosować okulary ochronne. Środki ochrony osobistej, np. maska, obuwie robocze antypoślizgowe, twarde okrycie głowy lub ochronniki słuchu, używane stosownie do warunków pracy, ograniczają zagrożenie porażenia.
- ✿ Wystrzegać się niekontrolowanego uruchomienia. Przed przyłączeniem do źródła zasilania, przed odłożeniem lub przenoszeniem narzędzia należy sprawdzić, czy wyłącznik znajduje się w położeniu wyłączone. Przenoszenie narzędzia z palcem na włączniku lub włączanie wtyczki przy włączonym włączniku może stanowić przyczynę wypadku.
- ✿ Przed włączeniem narzędzia należy odłożyć wszelkie przyrządy używane do regulacji lub klucze. Przyrząd do regulacji lub klucz, który pozostawiony w obracającej się części narzędzia elektrycznego może spowodować zranienie.
- ✿ Pracować należy tylko tam, gdzie jest zapewniony bezpieczny dostęp. Zawsze należy utrzymywać stabilną pozycję i równowagę. Spowoduje to lepszą kontrolę nad narzędziem elektrycznym w nieprzewidzianych sytuacjach.
- ✿ Należy odpowiednio ubierać się do pracy. Nie używać luźnej odzieży i nie zakładać biżuterii. Należy uważać, aby włosy, odzież i rękawice znajdowały się wystarczająco daleko od części ruchomych narzędzia. Luźna odzież, biżuteria i długie włosy mogą zostać złapane przez ruchome elementy narzędzia.
- ✿ Jeżeli są do dyspozycji środki do przyłączenia urządzenia do odpylania, należy je podłączyć i prawidłowo użytkować. Użytkowanie tych urządzeń może ograniczyć zagrożenia spowodowane przez powstający pył.

## Użycie narzędzia elektrycznego i jego konserwacja

- ✿ Nie należy przeciążać narzędzia elektrycznego. Używać narzędzi przeznaczonych do wykonywanej pracy. Odpowiednie narzędzie będzie lepiej i bezpieczniej wykonywać pracę, do której zostało zaprojektowane.
- ✿ Nie używać narzędzi elektrycznych, których nie można włączyć i wyłączyć za pomocą włącznika/wyłącznika. Narzędzie elektryczne, którym nie można sterować za pomocą włącznika jest niebezpieczne i musi być naprawione.
- ✿ Przed wykonaniem regulacji, przed wymianą oprzyrządowania lub jeżeli narzędzie nie jest używane należy wyjąć wtyczkę przewodu zasilającego z gniazda i/lub odłączyć akumulator. Taki środek zapobiegawczy zmniejsza ryzyko przypadkowego uruchomienia narzędzia elektrycznego.
- ✿ Nie używane narzędzie elektryczne należy przechowywać poza zasięgiem dzieci i nie zezwalać na jego użytkowanie osobom, które nie zostały przeszkolone z jego obsługą lub z powyższą instrukcją. Narzędzie elektryczne w rękach niedoświadczonych użytkowników stanowi zagrożenie.
- ✿ Należy przeprowadzać konserwację narzędzi elektrycznych. Należy sprawdzać ustawienie ruchomych części i ich ruchomość, sprawdzać czy nie ma pęknięć, złamanych elementów i innych uszkodzeń, które mogłyby stanowić uszkodzenie narzędzia elektrycznego. Jeżeli narzędzie jest uszkodzone, przed dalszym użyciem należy je naprawić. Wiele wypadków spowodowanych jest przez niewystarczająco konserwowane narzędzie elektryczne.

- ✿ Urządzenia do cięcia muszą być ostre i czyste. Prawidłowo konserwowane i naostrzone przyrządy tnące z mniejszym prawdopodobieństwem ulegną zaklinowaniu a ich praca łatwiej poddaje się kontroli.
- ✿ Narzędzia elektryczne, oprzyrządowanie, urządzenia robocze itd. należy użytkować zgodnie z niniejszą instrukcją i w sposób zgodny z instrukcją użytkowania, biorąc pod uwagę określone warunki pracy i jej rodzaj. Używanie narzędzia elektrycznego do wykonywania innych czynności, niż zgodne z jego przeznaczeniem prowadzi do określonych zagrożeń.

## Serwis

- ✿ Naprawy narzędzi elektrycznych należy powierzać wykwalifikowanym pracownikom, którzy do napraw będą wykorzystywać tylko oryginalne części zamienne. Zapewni to ten sam poziom bezpieczeństwa narzędzia elektrycznego jak przed naprawą.

## Instrukcja bezpieczeństwa dotycząca pracy z nożycami elektrycznymi do cięcia żywoptotu

- ✿ Należy pracować pozostając w bezpiecznym oddaleniu od listwy tnącej. Podczas pracy noży, nie wolno usuwać ściętego materiału i nie wolno przytrzymywać materiału ciętego. Przy usuwaniu materiału zablokowanego w nożycach elektrycznych, należy zadbać, aby wyłącznik główny znajdował się w położeniu wyłączzone. Moment nieuwagi przy pracy z użyciem nożyc elektrycznych do cięcia żywoptotu może skutkować poważnym wypadkiem.
- ✿ Teleskopowe nożyce elektryczne do cięcia żywoptotu można przenosić trzymając je wyłącznie za rękojeść i tylko jeżeli listwa tnąca jest wyłączona. Podczas transportu lub przy odkładaniu nożyc do cięcia żywoptotu należy na listwę tnącą nałożyć osłonę ochronną. Prawidłowe manipulowanie z nożycami teleskopowymi zapobiega zagrożeniu wypadkiem, które występuje przy manipulowaniu listwami tnącymi.
- ✿ Narzędzia elektryczne należy trzymać wyłącznie za powierzchnie izolowane, ponieważ istnieje ryzyko, że listwy tnące nożyc mogły wejść w kontakt z ukrytymi przewodami lub własnym przewodem zasilania. Jeżeli listwy tnące wejdą w kontakt z przewodem będącym pod napięciem, może dojść do przeniesienia napięcia na nieizolowane części narzędzia elektrycznego i obsługującemu narzędzie grozi porażenie prądem elektrycznym.
- ✿ Cały czas przewód zasilający musi znajdować się poza strefą cięcia. Podczas pracy przewód zasilania może dostać się pomiędzy ścinane gałęzie i może dojść do jego nieumyślnego przecięcia.

## Uzupełniające zalecenia dotyczące bezpieczeństwa

- ✿ Bezpieczeństwo środowiska pracy Narzędzia elektryczne należy użytkować w sposób i wyłącznie do celów opisanych w niniejszej instrukcji obsługi. Obsługa czy też użytkownik jest odpowiedzialny za ewentualne wypadki lub zagrożenia wywołane w stosunku do innych osób lub ich własności.

## Bezpieczeństwo podczas pracy z użyciem narzędzia elektrycznego

- ✿ Dla zwiększenia bezpieczeństwa Brytyjski Urząd Normalizacyjny zaleca stosować przy pracy z narzędziami zasilanie wyposażone w wyłącznik różnicowoprądowy (RCD) z prądem wyłączenia mniejszym od 30 mA. Przed rozpoczęciem pracy z użyciem narzędzia elektrycznego należy sprawdzić działanie wyłącznika różnicowoprądowego. Przed rozpoczęciem pracy należy sprawdzić stan przewodu zasilania. Jeżeli przewód wykazuje znamiona zużycia lub uszkodzenia należy go wymienić.
- ✿ Nie używać narzędzia jeżeli przewody są uszkodzone lub zużyte.
- ✿ Jeżeli przewód jest nacięty lub ma uszkodzoną warstwę izolacyjną, narzędzie należy natychmiast odłączyć od zasilania. Nie wolno dotykać przewodu, do chwili odłączenia go od zasilania.
- ✿ Przewód zasilający zawsze musi być odpowiednio napięty i niesplątany. Splątane przewody mogą przegrzewać się i obniżyć moc narzędzia.
- ✿ Przed wyjęciem wtyczki przewodu zasilającego z gniazda należy najpierw narzędzie wyłączyć wyłącznikiem sieciowym.
- ✿ Wyłączyć narzędzie, wyjąć wtyczkę z gniazda i przed zwinięciem przewodu należy sprawdzić, czy przewód nie jest nadmiernie zużyty lub uszkodzony. Uszkodzonego przewodu nie należy naprawiać, zawsze należy go wymienić.
- ✿ Przewód należy zwinąć ostrożnie, aby nie powstawały na nim pętle.
- ✿ Do zasilania korzystać wyłącznie z sieci prądu zmiennego o parametrach odpowiadających danym zamieszczonym na tabliczce znamionowej narzędzia.
- ✿ W żadnym razie nie należy podłączać żadnej części narzędzia do przewodów uziemiających.

## Przewody

- ✿ Używać przedłużaczy spełniających wymogi normy HD 516.
- ✿ Zwrócić się do elektromechanika.

## Bezpieczeństwo osób

- ✿ Zawsze stosować odpowiednią odzież roboczą, rękawice ochronne i odpowiednie obuwie.
- ✿ Przed przystąpieniem do cięcia należy sprawdzić krzewy i usunąć przedmioty obce i druty.
- ✿ Przy ustawianiu narzędzia (obrót jednostki tnącej, nachylenie głowicy tnącej itp.) należy na listwę tnącą założyć osłonę ochronną. Podczas wykonywania tych czynności nożyce do cięcia żywopłotu nie można opierać na ostrzu tnącym.
- ✿ Zawsze przed rozpoczęciem pracy z użyciem narzędzia i po uderzeniu, do którego doszło podczas ciecienia, należy sprawdzić ewentualne zużycie lub uszkodzenie nożyc, a w razie konieczności spowodować ich naprawę.
- ✿ Przed rozpoczęciem pracy z użyciem elektrycznych teleskopowych nożyc do cięcia żywopłotu należy sprawdzić, czy osłona rąk umieszczona jest w prawidłowym położeniu.

- ✿ Nigdy nie należy używać narzędzia, które jest niekompletne lub było przerobione w sposób nie zatwierdzony.

### Użycie narzędzia elektrycznego i jego konserwacja

- ✿ Zapoznać się z instrukcją szybkiego awaryjnego wyłączenia narzędzia.
- ✿ Nigdy nie należy przenosić narzędzia trzymając za osłonę ochronną.
- ✿ Nigdy nie należy używać do pracy nożyc do cięcia żywopłotu, jeżeli są uszkodzone ich elementy ochronne (osłona rąk, oburęczny wyłącznik bezpieczeństwa, osłona, wyłącznik awaryjny listwy tnącej).
- ✿ Podczas pracy przy użyciu nożyc nigdy nie korzystać z drabiny.
- ✿ Wtyczkę przewodu zasilającego należy wyjąć z gniazda“:
  - przed pozostawieniem narzędzia na dowolny czas,
  - przed usuwaniem materiału blokującego listwę tnącą,
  - przed przeglądem, czyszczeniem lub konserwacją narzędzia,
  - po zetknięciu się narzędzia tnącego z przedmiotem obcym.

Nie należy użytkować narzędzia, jeżeli nie jesteś przekonany co do jego bezpiecznego stanu eksploatacji,

- jeżeli narzędzie zaczyna niestandardowo drgać. W takim przypadku należy narzędzie natychmiast sprawdzić. W wyniku nadmiernych drgań może dojść do wypadku.

- przed przekazaniem narzędzia innej osobie.

### Konserwacja i przechowywanie

- ⚠ **UWAGA!** ZAGROŻENIE WYPADKIEM! Nie dotykać ostrza.
- ⚠ **UWAGA!** Po zakończeniu lub przy przerwie w pracy należy podnieść osłonę ochronną.
- ✿ Wszystkie śruby i nakrętki muszą być prawidłowo dokręcone, gwarantuje to bezpieczną eksploatację.

## 5. GDZIE STOSOWAĆ ELEKTRYCZNE NOŻYCE DO CIĘCIA ŻYWOPŁOTU Z WYSIĘGNIKIEM TELESKOPOWYM

### Prawidłowy sposób użycia

- ✿ Elektryczne nożyce do cięcia żywopłotu są przeznaczone do przycinania żywopłotów i krzewów na prywatnych działkach i ogrodach.
- ✿ Warunkiem prawidłowego użytkowania nożyc elektrycznych jest stosowanie się do zaleceń zawartych w niniejszej instrukcji.



### **⚠ UWAGA! ZAGROŻENIE WYPADKIEM!**

Zabronione jest używanie nożyc elektrycznych do cięcia żywopłotu do cięcia trawników/ przycinania brzegów trawników lub do cięcia materiałów przeznaczonych do kompostowania.

## 6. MONTAŻ NARZĘDZIA

- ✿ Zwolnić element blokady (7) na rękojeści łączącej (patrz rys. 2).
- ✿ Wsunąć tylną rękojeść do części przedniej w kierunku (A) (patrz rys. 3). Upewnić się, że wpust (1) (wpust 1 na tyczce przedniej) znalazł się w otworze (2) (otwór 2 w rękojeści łączącej).
- ✿ Wsunąć element blokujący (7) w kierunku (B) do otworu z gwintem (patrz rys. 4) i mocno dokręcić w kierunku (A). Upewnić się, czy połączenie jest prawidłowo dokręcone.

## 7. EKSPLOATACJA

### **Ustawienie kąta głowicy z napędem**

- ✿ Głowicę z napędem można ustawić pod 8 różnymi kątami roboczymi.
- ✿ Jedną ręką nacisnąć przycisk ustawiania z napisem PUSH i ustawić napęd w żądanym położeniu. Po zwolnieniu przycisku głowica z napędem automatycznie zabezpieczy się w ustawionej pozycji (patrz rys. 5).

### **Ustawienie długości wysięgnika teleskopowego**

Elektryczne nożyce do cięcia żywopłotu są wyposażone w teleskopowy wysięgnik o długości od 1,85 m (złożony) do 2,45 m (rozłożony). Tuleja mocująca z elementem blokującym zabezpieczy wystarczającą wytrzymałość nasady w dowolnej długości.

- ✿ W celu wysunięcia wysięgnika należy zwolnić element blokujący (7) w kierunku (A) (patrz rys. 6). Wysięgnik się łatwo wysunie.
  - ✿ Pociągając za część z przodu wysięgnika i wysunąć na wymaganą długość.
- 📖 Uwaga:** Wysięgnik należy rozsuwać do minimalnej długości niezbędnej do wykonania cięcia.
- ✿ W celu zablokowania wysięgnika w wymaganym położeniu należy pociągnąć element blokujący (7) w kierunku (B) (patrz rys. 6).

## Uruchomienie nożyc elektrycznych do cięcia żywoptotu

- ✿ Zdjąć osłonę (1) w kierunku (A) z listwy tnącej (2) (patrz rys. 7).
- ✿ Ustawić głowicę z napędem w wymaganej pozycji i długość wysięgnika w wymaganej długości.
- ✿ Podłączyć przewód zasilania do gniazda.
- ✿ Oboma rękoma mocno uchwycić uchwyt nożyc. Uchwyt trzymać w oznaczonym obszarze uchwytu (B) i użyć uprzęży pomocniczej. (patrz rys. 8) Uchwyt mocno trzymać. Palce muszą pewnie obejmować nasadę i uchwyt narzędzia.
- ✿ Przyjąć stabilną postawę. Stać w rozkroku. Swoją wagę równomiernie rozłożyć na obie stopy.
- ✿ Jeżeli jesteś gotowy do rozpoczęcia pracy, należy przycisnąć bezpiecznik spustu (16) a następnie włącznik narzędzia (17) (patrz ilustracja 9). Nożyce do cięcia żywoptotu zostały uruchomione. Po zwolnieniu włącznika nożyce zatrzymają się. Przed rozpoczęciem cięcia nożyce muszą pracować.
- ✿ Przy cięciu należy przybliżyć pracującą listwę tnącą do gałęzi. Nożyce należy trzymać pewnym uchwytem w stabilnej pozycji.
- ✿ Po wykonaniu cięcia należy odsunąć nożyce z miejsca cięcia pracujące na pełnych obrotach. Zwolnić włącznik i nożyce zatrzymać. Przed odłożeniem nożyc należy upewnić się, że listwa tnąca jest w bezruchu.

# 8. KONSERWACJA

## Czyszczenie nożyc do cięcia żywoptotu

- ⚠ **UWAGA!** Niebezpieczeństwo wypadku / porażenia prądem elektrycznym!  
Przed przystąpieniem do prac konserwacyjnych należy odłączyć narzędzie od zasilania i założyć na listwę tnącą osłonę. Nożyce elektryczne do cięcia żywoptotu nie myć pod bieżącą wodą (szczególnie pod strumieniem wody pod ciśnieniem).
- ✿ Wytrzeć nożyce elektryczne do cięcia żywoptotu wilgotną ścierką.
- ✿ Przesmarować listwę tnącą smarem o niskiej lepkości. Ograniczyć kontakt smaru z elementami z tworzyw sztucznych.

# 9. PRZECHOWYWANIE

- ⚠ **UWAGA!** Nożyce elektryczne do cięcia żywoptotu należy składować poza zasięgiem dzieci.
- ✿ Odłączyć od nożyc przewód zasilania.
- ✿ Oczyszczyć nożyce elektryczne zgodnie z zaleceniami w rozdziale 7 Konserwacja i założyć osłonę na listwę tnącą.
- ✿ Nożyce elektryczne przechowywać w miejscu suchym, nie narażonym na działanie ujemnej temperatury.

## 10. DANE TECHNICZNE

Napięcie/częstotliwość	230V-240V/50Hz
Moc	450 W
Rozstaw zębów listwy tnącej	16 mm
Prędkość drgań	1600/min
Poziom mocy akustycznej LWA	namierzony 94 dB(A)/gwarantowany 100 dB(A)
Drgania ręka/pacha, ważona efektywna wartość przyspieszenia	< 2,5 m/s <sup>2</sup>
Długość całkowita	1,9 m - 2,5 m
Długość listwy tnącej	460 mm
Waga	3,7 Kg
Dozwolona średnica cięcia	16mm
Ustawienie kąta głowicy	+60° do -80°

Podręcznik użytkownika w odpowiedniej mutacji językowej.

# 11. DEKLARACJA ZGODNOŚCI

**Wyrób / marka:** NOŻYCE ELEKTRYCZNE DO CIĘCIA ŻYWOPŁOTU / FIELDMANN

**Typ / Model:** FZN 6005-E ..... 230V, 450W, 50Hz, Klasa II

## Wyrób jest zgodny z niżej wymienionymi przepisami:

- ✿ Dyrektywa Parlamentu Europejskiego i Rady 2000/14/WE z dnia 8 maja 2000 r. w sprawie zbliżenia ustawodawstw Państw Członkowskich odnoszących się do emisji hałasu do środowiska przez urządzenia używane na zewnątrz pomieszczeń
- ✿ Dyrektywa Parlamentu Europejskiego i Rady 2006/42/ES z dnia 17 maja 2006 o urządzeniach maszynowych i o zmianie dyrektywy 95/16/ES
- ✿ Dyrektywa Parlamentu Europejskiego i Rady 2004/108/ES z dnia 15 grudnia 2004 o zbliżaniu przepisów prawnych krajów członkowskich dotyczących kompatybilności elektromagnetycznej i o unieważnieniu dyrektywy 89/336/EHS
- ✿ Dyrektywa Parlamentu Europejskiego i Rady 2002/95/ES z dnia 27 stycznia 2003 o ograniczeniu stosowania niektórych niebezpiecznych substancji w urządzeniach elektrycznych i elektronicznych

## i normami:

EN 60745-1:2009+A11:2010  
 EN 60745-2-15:2009+A1:2010  
 EN ISO 10517:2009  
 EN 55014-1:2006+A1:2009+A2:2011  
 EN 55014-2:+A1:2001+A2:2008  
 EN 61000-3-2:2006+A1:2009+A2:2009  
 EN 61000-3-3:2008

**Oznaczenie CE:** ..... 14

Spółka FAST ČR, a.s. jest upoważniona do reprezentowania i negocjowania w imieniu producenta.

## Producent:

FAST ČR, a.s.  
 Černokostelecká 2111, 100 00 Praha 10  
 NIP: CZ26726548

W Pradze, 7.5.2014

Nazwisko: Zdeněk Pech

**FAST** FAST ČR, a.s.  
 Černokostelecká 1621, 251 01 říčany  
 IČO: 26726548 tel.: +420/ 323 204 111  
 DIČ: CZ26726548 fax: +420/ 323 204 110



Prezes Zarządu Podpis i pieczętka:

## 12. LIKWIDACJA

### ZALECENIA I INFORMACJE O POSTĘPOWANIU Z ZUŻYTYM OPAKOWANIEM.

Zużyty materiał z opakowania przekazuje się na gminne wysypisko odpadów.

### LIKWIDACJA ZUŻYTYCH URZĄDZEŃ ELEKTRYCZNYCH I ELEKTRONICZNYCH



Ten symbol na produktach albo w dokumentach przewodnich oznacza, że zużyte wyroby elektryczne i elektroniczne nie mogą być dodawane do zwykłych odpadów komunalnych. W celu właściwej likwidacji, odzysku i recyklingu trzeba je przekazywać w ustalone zbiorcze miejsca. Alternatywnie w niektórych krajach Unii Europejskiej albo w innych krajach europejskich można zwrócić takie wyroby lokalnemu sprzedawcy przy zakupie nowego, ekwiwalentnego produktu. Właściwa likwidacja tego produktu pomoże zachować cenne źródła naturalne i pomaga w zapobieganiu negatywnym wpływom na środowisko naturalne i zdrowie ludzi, które mogłaby spowodować niewłaściwa likwidacja odpadów. Szczegółowych informacji udziela Urząd gminy albo najbliższe wysypisko odpadów. Przy niewłaściwej likwidacji tego rodzaju odpadu, zgodnie z przepisami krajowymi, może dojść do nałożenia mandatu karnego.

#### Dotyczy podmiotów gospodarczych w Unii Europejskiej

Jeżeli trzeba zlikwidować urządzenia elektryczne i elektroniczne, to niezbędne informacje należy uzyskać od swojego sprzedawcy albo dostawcy.

#### Likwidacja w innych krajach poza Unią Europejską

Ten symbol obowiązuje w Unii Europejskiej. Jeżeli chcemy ten wyrób zlikwidować, to niezbędne informacje o właściwym sposobie likwidacji otrzymujemy od urzędów lokalnych albo od swojego sprzedawcy.



Ten wyrób spełnia wszystkie podstawowe wymagania dyrektyw UE, które go dotyczą.

Zmiany w tekście, designie i specyfikacji technicznej mogą nastąpić bez wcześniejszego uprzedzenia i zastrzegamy sobie prawo do ich wprowadzania.



Záruční list | Záručný list | Warranty Certificate |  
Jótállási jegy | Garantijos taisyklės | Karta Gwarancyjna

Vyplní predajca. | Vyplní predajca. | To be filled in by the seller.  
| Wypełnia sprzedawca. | A kereskedő tölti ki.

Název: Názov: Name: Nazwa: Megnevezés:

Typ: Type: Típus:

Výrobné číslo: Vyrobné číslo: Serial number: Numer seryjny: Gyártási szám:

V prípade opravy vyplní servis. | V prípade opravy vyplní servis. | To be filled in by a repair shop  
in case of repair. | W przypadku naprawy wypełnia serwis. | Javítás esetén a szerviz tölti ki.

Datum oznámení nároku na záruku: Dátum oznámenia nároku na záruku: Date of notification  
of the entitlement to warranty: Data zgłoszenia roszczeń gwarancyjnych: A jótállási igény  
bejelentésének időpontja.

Den: Deň: \_\_\_\_\_ Měsíc: Mesiac: \_\_\_\_\_ Rok: \_\_\_\_\_ 20  
Day: Dzeň: Nap: \_\_\_\_\_ Month: Mesiác: Hô: \_\_\_\_\_ Year: Év: \_\_\_\_\_

Datum převzetí do opravy: Dátum prevzatia do opravy: Data przyjęcia do naprawy: Date of  
accepting for repair: Javításra átvétel időpontja:

Den: Deň: \_\_\_\_\_ Měsíc: Mesiac: \_\_\_\_\_ Rok: \_\_\_\_\_ 20  
Day: Dzeň: Nap: \_\_\_\_\_ Month: Mesiác: Hô: \_\_\_\_\_ Year: Év: \_\_\_\_\_

Důvod poruchy: Dôvod poruchy: Cause of defect: Przyczyna awarii: Hiba oka:

A termék azonosítóra alkalmas részecinek meghatározása (amennyiben alkalmazható):

Číslo prodejního dokumentu: Číslo predajného dokumentu: Sales document no.: Numer  
dokumentu sprzedawcy: Vásárlást igazoló bizonylat száma:

Datum nákupu [vedení do provozu]: Dátum nákupu [vedenie do prevádzky]: Date of purchase  
(putting into operation): Data zakupu [przekazania do eksploatacji]: Avásárlás [üzem-  
be helyezés] időpontja:

Den: Deň: \_\_\_\_\_ Měsíc: Mesiac: \_\_\_\_\_ Rok: \_\_\_\_\_ 20  
Day: Dzeň: Nap: \_\_\_\_\_ Month: Mesiác: Hô: \_\_\_\_\_ Year: Év: \_\_\_\_\_

Razítka prodávce: Pečiatka predajcu: Seller's stamp: Pieczęć sprzedawcy: Kereskedő  
bélyegzője:

Způsob opravy: Spôsob opravy: Mode of repair: Spôsob naprawy: Javítás módja:

Datum vrácení výrobku zpět zákazníkovi: Dátum vrátenia výrobku späť zákazníkovi: Date  
of returning the product back to the customer: Data zwrotu wyrobu klientowi: A termék  
fogyasztó részére való visszaadásának időpontja:

Den: Deň: \_\_\_\_\_ Měsíc: Mesiac: \_\_\_\_\_ Rok: \_\_\_\_\_ 20  
Day: Dzeň: Nap: \_\_\_\_\_ Month: Mesiác: Hô: \_\_\_\_\_ Year: Év: \_\_\_\_\_

Nová záruční lhůta – prodloužená o délku opravy: Nová záručná lehota – predĺžená o dĺžku  
opravy: New warranty period – extended by the duration of the repair: Nowy termin gwa-  
rancyjny – przedłużony o czas naprawy: A jótállás – kijavítási időtartamával meghosszabbí-  
tott – új határidője:

Den: Deň: \_\_\_\_\_ Měsíc: Mesiac: \_\_\_\_\_ Rok: \_\_\_\_\_ 20  
Day: Dzeň: Nap: \_\_\_\_\_ Month: Mesiác: Hô: \_\_\_\_\_ Year: Év: \_\_\_\_\_

Razítka servisu: Pečiatka servisu: Stamp of the repair shop: Pieczęć serwisu: Szerviz  
pecsétje:

Autorizovaná servisní střediska | Autorizované servisné strediská | Authorized service centres

**FAST ČR, a. s.**  
Černokostelecká 1621  
CZ 251 01 Říčany  
Česká republika  
Tel.: +420/ 323 204 120  
Fax: +420/ 323 204 121  
servis.praha@fastcr.cz  
www.fastcr.cz

**FAST ČR, a. s.**  
Ceji 31  
CZ 602 00 Brno  
Česká republika  
Tel.: +420/ 531 010 295  
Fax: +420/ 531 010 296  
servis.brno@fastcr.cz  
www.fastcr.cz

**Fast Plus, spol. s r. o.**  
Na Páňoch 18  
SK 831 06 Bratislava  
Slovenská republika  
Tel.: +421/2/49 105 854  
Fax: +421/2/49 105 859  
servis@fastplus.sk  
www.fastplus.sk

További információkért | Aby uzyskać więcej informacji | További információkért

**Fast Hungary Kft.**  
Dulácska u. 1/a.  
H-2045 Törökbálint  
Magyarország  
Tel.: +36/ 23 330 905  
Fax: +36/ 23 330 927  
info@fasthungary.hu  
www.fasthungary.hu

**Arconet sp. z o.o.**  
W celu znalezienia  
najbliższego serwisu  
prosimy zadzwonić:  
0801 44 33 22  
Lub odwiedzić stronę  
internetową:  
www.arconet.pl

**Uab „Senukui Prekybos  
Centras” Garantinis Servisas**  
Jonavos G. 62, LT-44192,  
Kaunas, Lithuania  
Tel.: +370 37 212 146  
Tex.: +370 37 212 165  
garrem@senukai.lt  
www.senukai.lt



revision 02/2011

**Zárúci podmínky**

Prodávající poskytuje kupujícímu na výrobek záruku k trvání 24 měsíců od převzetí výrobku kupujícími. Záruka se poskytuje za dle uvedených podmínek. Záruka se vztahuje pouze na nové zboží prodané spotřebiteli za účelem použití uvedeném v příloženém návodu k obsluze. Práva z odpovědnosti za vadu (reklamaci) může kupující uplatnit buď u prodávajícího, u kterého byl výrobek zakoupen nebo v níže uvedeném autorizovaném servisním centru. Kupující je povinen reklamaci uplatnit bez zbytečného odkladu, aby nedocházelo ke zhoršení vady, nepoždává však do konce záručního doby. Kupující je povinen poskytnout při reklamaci součinnost pomocí pro vlastní existenci reklamované vady. Do reklamčního řízení se přijímá pouze kompletní a z důvodů dodržení hygienických předpisů čistý výrobek. V případě oprávněné reklamace se záruční doba prodlužuje o dobu od okamžiku uplatnění reklamace do okamžiku převzetí opraveného výrobku kupujícími nebo okamžiku, kdy je kupující po skončení opravy povinen výrobek převzít. Kupující je povinen prokázat svou práva reklamou (doklad o zakoupení výrobku, záruční list, doklad o uvedení výrobku do provozu...).

**Záruka se nevztahuje zejména na:**  
 ■ vady, na které byla poskytnuta sleva  
 ■ opotřebení a poškození vzniklé běžným užíváním výrobku  
 ■ po-

škození výrobku v důsledku neodborné či nesprávné instalace, použití výrobku v rozporu s návodem k obsluze, platnými právními předpisy a obecně známými a zřejmými způsoby používání, v důsledku použití výrobku k jinému účelu, než ke kterému je určen  
 ■ poškození výrobku v důsledku neodborné nebo nesprávné údržby  
 ■ poškození výrobku způsobené jeho znečištěním, nehodou a zásahem vyšší moci (živelná událost, požár, vniknutí vody)...  
 ■ vadu funkčnosti výrobku způsobenou nevhodnou kvalitou signálu, rušivým elektromagnetickým polem apd.  
 ■ mechanické poškození výrobku (např. ulomení knoflíku, pád...)  
 ■ poškození způsobené použitím nevhodných materiálů, náplní, společného materiálu (netěsnění) nebo nevhodnými provozními podmínkami (např. vysoké okolní teploty, vysoká vlhkost prostředí, otrasy...)  
 ■ poškození, u kterých není jasný zásah do výrobku provedený nesprávně nebo neautorizovanou osobou (servisní) ■ případdy, kdy kupující při reklamaci neprokáže oprávněnost svých práv (kdy a kde reklamovaný výrobek zakoupil) ■ případdy, kdy se údaje v předložených dokladech liší od údajů uvedených na výrobku ■ případdy, kdy reklamovaný výrobek nelze ztotálnět s výrobem uvedeným v dokladech, kterými kupující prokazuje svou práva reklamou (např. poškození výrobního čísla nebo záručního plomby přístroje, nepřevzaté údaje v dokladech...)

**Zárúci podmienky**

Pređavajúci poskytuje kupujúcemu na výrobok 24 mesiacov záruku od jeho prevzatia kupujúci. Záruka sa poskytuje dľa z nižšie uvedených podmienok. Záruka sa vzťahuje iba na nové stroje predané spotrebitelom na bežné domáce použitie. Práva zo zodpovednosti za chyby (reklamácie) môže kupujúci uplatniť buď u predávajúcemu, u ktorého bol výrobok zakúpený alebo v nižšie uvedenom autorizovanom servisnom centre. Kupujúci je povinný reklamáciu uplatniť bez zbytočného odkladu, aby nedochádzalo ku zhoršeniu chyby, najneskôr však do konca záručnej doby. Kupujúci je povinný pri reklamacii spolupracovať pri overení existencie reklamovanej chyby. Do reklamčného procesu sa prijíma iba kompletný a z dôvodov dodržania hygienických predpisov nezestavený výrobok. V prípade oprávnenej reklamácie sa záručná doba predĺžuje o dobu od okamžiku uplatnenia reklamácie do okamžiku prevzatia opraveného výrobku kupujúci. Kupujúci je povinný preukázať svoje práva reklamou (doklad o zakúpení výrobku, záručný list, doklad o uvedení výrobku do prevádzky...).

**Záruka sa nevzťahuje na:**  
 ■ chyby, na ktoré bol poskytnutý zľav  
 ■ opotrebenie a poškodenia vzniknuté bežným užívaním výrobku  
 ■ poškodenie výrobku v dôsledku neodborné

či nesprávnej inštalácie, použitia výrobku v rozpore s návodom na použitie s platnými právnymi predpismi a všeobecné známymi a zřejmými způsoby používání, v důsledku používání výrobku k jinému účelu, než ke kterému je určen  
 ■ poškození výrobku v důsledku znečistění nebo opotřebení výrobku způsobeného jeho znečištěním, nehodou a zásahem vyšší moci (živelná událost, požár, vniknutí vody)...  
 ■ chyby funkčnosti výrobku způsobené nevhodnou kvalitou signálu, rušivým elektromagnetickým polem a pd.  
 ■ mechanické poškození výrobku (např. zlomení knoflíku, pád...)  
 ■ poškození způsobené použitím nevhodných materiálů, náplní, společného materiálu (netěsnění) nebo nevhodnými provozními podmínkami (např. vysoké teploty v okolí, vysoká vlhkosť prostředí, otrasy...)  
 ■ poškození, u kterých není jasný zásah do výrobku způsobený nesprávně nebo neautorizovanou osobou (servisní) ■ případdy, kdy kupující při reklamacii neprokáže oprávněnost svých práv (kdy a kde reklamovaný výrobek zakoupil) ■ případdy, kdy se údaje v předložených dokladech liší od údajů uvedených na výrobku ■ případdy, kdy reklamovaný výrobek nelze ztotálnět s výrobem uvedeným v dokladech, kterými kupující prokazuje svoje práva reklamou (např. poškození výrobního čísla nebo záručního plomby přístroje, nepřevzaté údaje v dokladech...)

**Conditions of guarantee**

This product is warranted for the period of 24 months from the date of purchase to the end-user. Warranty is limited to the following conditions. Warranty is referred only to the customer purchasing for common domestic use. The claim for service can be applied either at dealer's shop where the product was bought, or at below mentioned authorized service shops. The end-user is obligated to set up a claim immediately when the defects appear but only till the end of warranty period. The end-user is obligated to cooperate to certify the claimed defects. Only completed and clean (according to hygienic standards) product will be accepted. In case of eligible warranty claim the warranty period will be prolonged by the period from the date of claim application till the date of taking over the product by end-user or the date the end-user is obligated to take it over. To obtain the service under this warranty, end-user is obligated to certify his claim with duly completed following documents: receipt, certificate of warranty, certificate of installation...

**This warranty is valid especially if apply as follows:**  
 ■ Warranties in defects which were put on sale.  
 ■ Wear-out or damage caused by common use.

The product was damaged by professional or wrong installation, used in contrary to the applicable instruction manual, used in contrary to legal enactment and common process of use or used for another purpose which was designed for.  
 ■ The product was damaged by neglect or/or insufficient maintenance.  
 ■ The product was damaged by dirt, accident or force majeure (natural disaster, fire, flood...)  
 ■ Defects on functionality caused by low quality of signal, electromagnetic, field interference etc.  
 ■ The product was mechanically damaged (e.g. broken buttons, fall...)  
 ■ Damage caused by use of unsuitable media, fillings, expendable supplies (batteries) or by unsuitable working conditions (e.g. high temperatures, high humidity, etc...)  
 ■ Repair, modification or other further action to the product by unauthorized person.  
 ■ End-user did not prove enough his right to claim time and place of purchase...  
 ■ Data on presented documents differs from data on products.  
 ■ Cases when the claiming product can not be identified according to the presented documents (e.g. the serial number of the warranty seal has been damaged).

**Jótállási feltételek**

A FAST Hungary Kft. a termékére a fogyasztó részére történő átadástól (vásárlástól), illetve ha az üzembe helyezés é a forgalmazás vagy annak megbízottá végig, az üzembe helyezettől számított 24 hónapig tartó időtartamra vállal jótállást. A jótállási igény a jótállási jeggyel, a vásárlástól (üzembe helyezettől) számított 1 évig a termék eredetileg forgalmazójánál, illetve a jótállási jeggyel felhivatolt hivatalos szerviznél követhető el, míg a 3. szívszával a 24. hónapig kizárólag a hivatalos szerviznél érvelhető.

Jótállási jegy hiányában a fogyasztói szerződés megkötését bizonyíthatnak kell tekinteni, ha a fogyasztó bemutatja a termék elvételének megfizetését hitelet érdemlően igazolt bizonylatot. Mandátum érdekében kiegészítenél a Vásárlást, hogy díjazd meg a fizetési bizonylatot is. A jótállási idő belül meghibásodás esetén a fogyasztó (i) először-ben – kötelezőként az – hibás termék díjazását javasolhat vagy kicserélést követően, kivéve, ha a vásárlást igény teljesítése lehetetlen, vagy ha az a jótállásra kötelezetlenek a másik igény teljesítésétl összehangoltva iránytalan többletköltséget eredményez, (ii) ha

sem kijavítható, sem kicserélésre nincs joga, vagy ha a vállalat az értesítés követését követően megkezdte a javítást, de a jótállásból az okozott jelenlegi kényelmetlenség nélkül nem tud eleget tenni a vásárlás, a vásárlás szert - megkezdte az értesítést jéghelnyelhet vagy eltávolít a szerződésben. Jelenlétben hiba miatt értesítés nincs helye.

A 15/2013. (IX.22.) Könyvtárirendelet meghatározott jótállási cikkek meghatározása miatt a vásárlástól (üzembe helyezettől) számított három munkanapon belül érvényesített csereigény esetén a forgalmazónak hivatalos árnyalatnyalán többletköltséget, hanem a forgalmazó köteles a tartos fogyasztói cikket kicserélni, felvétel. Ilyenkor a meghibásodás a rendeltetéshez használatot akadályozza. Kijavítás esetén a fogyasztói cikket csak az alkaltes kerülhet beépítésre. A jótállásra kötelezett hitelet az, hogy a kijavítás vagy kicserélés 15 napon belül megtörténjen. Azonként követelhető, hogy a 10kg-nál súlyosabb, vagy tömegközépségek eszközök cíket csak csomagoltan kell szállítani fogyasztói cikket a üzemeltetés helyén kell megcsinálni. Ha a javítás az üzemel-

tetés helyén nem végezhető el, a le- és felszerelés, valamint az el- és visszaszállításra a jótállási kötelezettség gondoskodik. Nem számít bele a jótállási időbe a kijavítás dívelet, az rész-, amely által a fogyasztó a termékem nem tudja a rendeltetéshez érvényesíteni. A jótállási idő a terméknek vagy jelenlétben részben kicserélés (újrajavítás) esetén a kicserélés (újrajavítás) termékek termékeiről, valamint a kijavítás követelményeit jelenlétben hiba tekintétek - útján kezdődik.

**Nem érvényesíthető a jótállási igény, ha a jótállási időszak lejárt, illetve, hogy a hibát a termék fogyasztó részére való átadását követően lekezeltek, tgy például ha a hibát nem rendeltetéshez érvényesítve, használata után, ill. egyelően kívül hiba, helytelen csatlósítás vagy tárolás, helyes, rongálás, émi kar, kizárólag kiváltott ok (pl. hibázott felcsatlósított megengedettől nagybő megadása) a hiteletet stábilítás, beavatkozás, nem a hivatalos szerviz által végrehajtott vagy fogyasztó feladatai középtelá vezetésű munkák elmulasztása miatt. A jótállás a fogyasztó tövényből eredő jogát nem érinti.**

**Garantijos taisyklės**

Slam gamintojas suteikia 24 mėnesių nuo įsigijimo datos garantiją. Garantija apsiriboja žmogiumis pateikiomais sąlygomis. Garantija skiria tik gamintojas, skirteems butiniam naudojimui. Del gamintojo nemokamas priekšas gali kreiptis į pardavėjo parduotuve, kurioje gamintojas gamintojas. Jotallasi įgaliojatus teisiškai priekštas centras. Galutinis naudotojas įsipareigoja pateikti pretenzijai neadesial po defektu atsiradimo, tačiau tik iki garantijos galimoje periodo pabaigos. Galutinis naudotojas įsipareigoja bendradarbiauti patvirtinti gamintoja gamintoja defektus, del kuriu pateikia pretenzija. Primitas bus tik pilnai sukomplektuoti ir švarus (pagal higienos standartus) gamintojas. Jei pretenzija del garantinio remonto bus pateikyta, gamintojas galimoje periodo bus prailginas atitinkamam periodu nuo praradimo pateikimo datos iki galutinio nusprendimo pasims sutartyje gamintoja arba iki datos, kada galutinis naudotojas turėtų pasiminti sutartyje gamintoja. Noredamas gauti garantinio remonto paslaugas, galutinis naudotojas turi patvirtinti pretenzija pilnai užpildyti sekančiais dokumentais: pirkinio kvitu, garantiniu laisku, instaliavimo sertifikatu...

**Garantija netaikoma:**  
 ■ Nukaitoms (broktooms) prekėms.  
 ■ Įprastinai susidėvioms gamintojas

dalims.  
 ■ Gedimams, atsiradusiems neprofessionaliai ar neteisingai gamintojui instaliavus, nesilaikant gamintojo nurodymu instaliuoti, naudotojui gaminti ne pagal įstatymu numatytus standartus ar įprastinius tokiu tipu gamintoju naudojimo pascius, naudojant gaminti kita pasciuliu nei nurodytu...  
 ■ Gedimams, atsiradusiems del trasto kokybes sagauto, elektromagnetinio lauko trikdyti ir kt.  
 ■ Radus mechaninius pažeidimus (pvz. sulauztyti matavimai, kritimo pažeidimai)...  
 ■ Gedimams, atsiradusiems naudojant gamintoja su netinkamomis laikinomis...  
 ■ Nustatius, kad gamintojas taisyklas, modifikuotas ar darytas neigalotai tau daryti sukeitusi...  
 ■ Jei gamintojas neturi visų reikalingu dokumentu, įrodančių teise į garantinio remonto (pvz. dokumentu, kur butu nurodyta gamintoja įsigijimo laikas ir vieta).  
 ■ Jei data pateiktose dokumentuose skiriasi nuo datos ant gamintoja.

**Warunki gwarancji**

Produkt objęty jest 24 - miesięcna gwarancja, powstacy od dnia zakupu przez klienta. Gwarancja jest ograniczona tylko do przedstawianych dól warunków. Gwarancja obejmuje tylko produkty zakupione w Polsce i jest ważna tylko w terytorium Rzeczypospolitej Polskiej. Gwarancja obejmuje tylko produkty funkcjonujące w warunkach gospodarstwa domowego i nie dotyczy produktów oznaczonych jako „Profesjonal”. Zakożenie użytkownika można dokonac w autoryzowanym serwisowej lub w sklepie, gdzie produkt został nabyty. Użytkownik jest zobowiązany zglosić ustęzk niezwłocznie po jej wykryciu, a najpóźniej w ostatnim dniu obowiązujący okres gwarancji. Użytkownik jest zobowiązany do przedstawienia i udokumentowania wazark. tylko kompletnie - czyste produkty i zgodne ze standardami higienicznymi będa przyznawane do naprawy. Usterki będą usuwane przez autoryzowany punkt serwisowy w możliwe krótszym czasie, ni przetwarzamy 14 dni roboczy. Okres gwarancji przedluga sie o czas pobytu sprzętu w serwisie. Klient moze ubiegac sie o wymiane sprzętu na nowy od wydatku, jeżeli punkt serwisowy stwierdzi na piśmie, ze usuniecie wady jest niemożliwe. Aby produkt mógł być przyzty przez serwis, użytkownik jest zobowiązany dostarczyć oryginalny dowodu zakupu (paragon lub fakturę), produkt i wypełniony kartę gwarancyjną, certyfikatu instalacji (niektóre produkty).

**Gwarancja zostaje unieważniona, jeśli:**  
 ■ usterka była widoczna w chwili zakupu,  
 ■ usterka wynika ze zwykłego użytkowania i zużycia, ■ produkt został uszkodzony z powodu złego instalacji, ■ zastosowania się do instrukcji obsługi lub użytkownika niezgodnego z preczaczeniem, ■ produkt został uszkodzony z powodu złego konserwacji lub jej braku, ■ produkt został uszkodzony z powodu zamieszanie z innymi, wypadku lub okoliczności o charakterze siły wyższej (powódź, pożar, wojny, zanieczyszczenie) ■ produkt wykazuje nie dozwolone z powodów objętych przez zakres elektromagnetyczny itp.) ■ produkt został uszkodzony mechanicznie (np. wparany ciężkim, upadek, itp.) ■ produkt został uszkodzony z powodu użycia niewłaściwych materiałów eksploatacyjnych, bateri, akumulatorów itp. ■ produkt został uszkodzony z powodu użycia nieautoryzowanych materiałów (temperatura, wilgotność, wstrząsy itp.), ■ produkt był naprawiany lub modyfikowany przez nieautoryzowany personel.  
 ■ użytkownik nie jest w stanie udowodnić zakupu (nieczytelny paragon lub faktura), ■ dane z przedstawianymi dokumentami są inne niż uzgodnione, ■ produkt nie może być zidentyfikowany w związku z asożdzeniem numeru seryjnego lub wlepek gwarancyjną.

