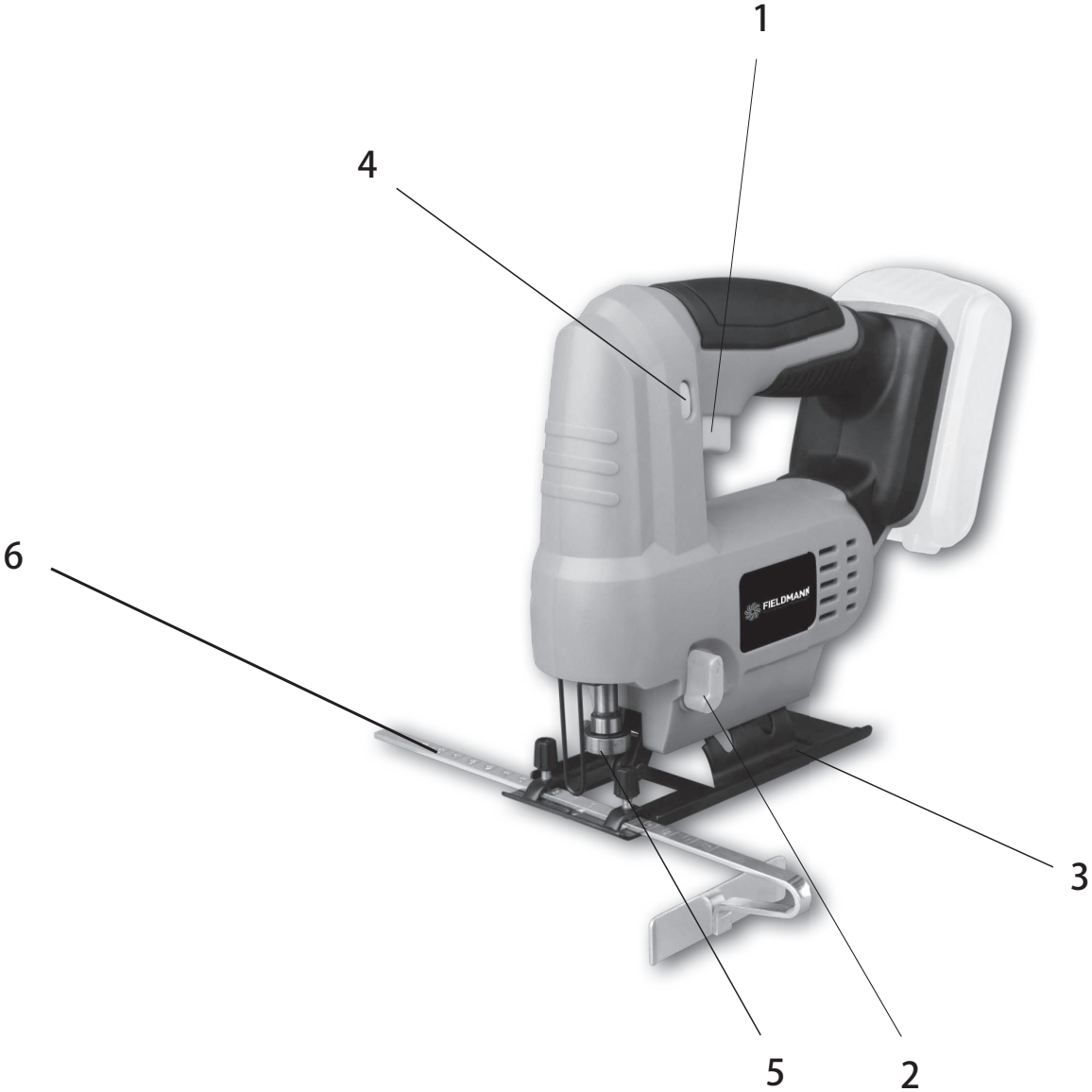




FDUP 50401-0

English	5 - 19
Čeština	20 - 34
Slovenčina	35 - 49
Magyarul	50 - 66
Polski	67 - 83

1



Cordless Jig Saw

INSTRUCTION MANUAL

Thank you for your purchase of the cordless jig saw. For your personal safety, read and understand the Instruction Manual before using. Keep the Instruction Manual in a safe place for future reference.

CONTENTS

1. GENERAL SAFETY INSTRUCTIONS	6
2. SYMBOLS	7
3. MACHINE DESCRIPTION AND ITEMS DELIVERED	8
4. GENERAL SAFETY INSTRUCTIONS.....	8
5. SPECIFIC SAFETY INSTRUCTIONS.....	12
6. HEARING PROTECTION	13
7. OPERATION	13
8. MACHINE CARE.....	16
9. WARRANTY.....	16
10. TECHNICAL SPECIFICATIONS	17
11. DISPOSAL	18

1. GENERAL SAFETY INSTRUCTIONS

⚠ WARNING! Carefully read the instruction manual before use.

Important safety warnings

- ✿ Unpack the product carefully and be sure not to throw away any part of the package before having found all components of the product.
- ✿ Keep the product in a dry place out of reach of children.
- ✿ Read all cautions and instructions. The failure to adhere to warning cautions and instructions may result in an accident, fire and/or a serious injury.

Packaging

The product is placed in a package preventing damage during transport. This package is a raw material therefore it can be handed-over for recycling.

Instructions for use

Before beginning to work with the machine, read the following safety rules and instructions for use. Familiarize with operating elements and the proper use of the device. Keep the manual in a safe place for future reference. We recommend keeping the original package including the inner packaging materials, cash voucher and guarantee card for a period of warranty at minimum. For a case of transportation, pack the machine into the original box from the manufacturer, thus ensuring a maximum protection of the product during a possible transport (e.g. moving or sending into a service station).

📖 Note: If you hand the machine over to next persons, hand it over together with the manual. Adherence to the attached instructions for use is a precondition for the proper use of the machine. The operation manual includes also instructions for operation, maintenance and repairs.

The manufacturer does not take any responsibility for accidents or damages resulting from the failure to adhere to this manual.

2. SYMBOLS



The product complies with the applicable standards and regulations.



Read the Instruction Manual attentively prior to use.



Use eyes protective equipment



Use ears protective equipment

3. MACHINE DESCRIPTION AND ITEMS DELIVERED

Machine Description (See fig. 1)

- 1 - ON/OFF switch
- 2 - Pendulum action
- 3 - controller Base plate
- 4 - Switch locking button
- 5 - Saw blade holder
- 6 - Guide

Items Delivered

Remove all contents from the box and inspect to ensure no damage was incurred during shipping, and that the items listed below are included.

- ✿ Jig saw
- ✿ Parallel edge guide
- ✿ 2 saw blade
- ✿ Warranty card
- ✿ Instruction Manual

Should the components be missing or damaged, contact the dealer of the machine.

4. GENERAL SAFETY INSTRUCTIONS

Please read these safety instructions carefully, remember them and keep them in a safe place

⚠ WARNING! When using electric machinery and power tools, it is important to abide by and adhere to the following safety instructions for reasons of protection against injury caused by electric current, injury of persons and risk of starting fires. The term "power tools" used in the instructions below refers to power tools that are plugged into a power supply (by a power cord) as well as tools running on a battery pack (cordless). Keep all warnings and instructions for further use.

Work environment

- ✿ Keep the work area clean and well lit. Untidiness and dark places on the job site are usually causes of accidents. Store tools that are not used.

- ✿ Do not use power tools in an environment where there is risk of starting a fire or explosion; this refers to places where there are flammable liquids, gases or dust. Sparks form on the power tool's commutator, which can cause dust or fume ignition.
- ✿ When using power tools, unauthorized persons, especially children, should be denied entry to the job site! In case you are interrupted, you can lose control of the current activity. In any case, do not leave the power tool without supervision. Prevent animals from approaching the equipment.

Electrical safety

- ✿ The power tool's power plug must correspond to the power outlet. Never alter the plug in any way. If the tool's plug has a safety peg, never use an adapter of any kind. Undamaged plugs and corresponding outlets prevent the risk of injury by electric current. If the power cord is damaged, it must be replaced by a new power cord that can be obtained from an authorized service centre or the importer.
- ✿ Avoid bodily contact with grounded items, e.g. piping, radiators, kitchen ranges and refrigerators. The risk of injury by electric current is greater if your body is connected to the ground.
- ✿ Do not expose power tools to rain, moisture or dampness. Never touch power tools with wet hands. Never wash power tools with running water and never submerge them into water.
- ✿ Do not use the power cord for any other purpose than originally intended. Never carry or pull the power tools by the power cord. Do not pull the plug out of the outlet by pulling on the cord. Avoid mechanical damage to the power cord by sharp or hot objects.
- ✿ Power tools were manufactured exclusively for the AC power supply. Always check if the electrical voltage corresponds to the data printed on the tool's serial number label.
- ✿ Never work with a tool that has a damaged power cord or plug, or that has fallen on the ground and is damaged in any way.
- ✿ In the case of using an extension cord, always check that its technical parameters correspond to the data printed on the tool's serial number label. If the power tool is used outdoors, use an extension cord that is appropriate for exterior use. When using an extension cable drum, the cord must be unwound to prevent the cord from overheating.
- ✿ If the power tool is used in moist areas or outdoors, it is permitted to use it only if it is plugged into an electric circuit with a residual current device ≤ 30 mA. Using a circuit with an RCD lowers the risk of injury by electric current.
- ✿ Grasp hand power tools at the designated isolated grip areas because, during operation, one may come into contact with the cutting or drilling fittings with a hidden conductor or with the power cord.

Personal safety

- ✿ When using a power tool, be careful and alert, pay special attention to the activity you are doing. Concentrate on your work. Do not work with power tools if you are tired or if you are under the influence of drugs, alcohol or medication. When using power tools, even a momentary lapse in attentiveness can lead to severe personal injury. Do not eat, drink or smoke while working with power tools.
- ✿ Use protective gear. Always use eye protection. Use protective gear corresponding to the type of work you are doing. Protective gear such as respirators, safety shoes with antiskid treatment, head protection or ear protection, used in accordance with working conditions, lower the risk of personal injury.
- ✿ Avoid unintentional operation of tools. Do not carry tools that are plugged into the electric grid with your finger on the switch or release trigger. Before connecting the tool to a power supply, make sure that the switch or release trigger are in the "off" position. Carrying tools with your finger on the switch or plugging the tool into an outlet with the switch in the "on" position can cause serious injury.
- ✿ Before turning tools on, remove all adjustment wrenches and tools. The adjustment wrench or tool that stays connected to the rotating part of the power tool can cause personal injury.
- ✿ Always stand firmly and keep your balance. Work only in places that you can reach safely. Never overestimate your own strength. Do not use power tools if you are tired.
- ✿ Dress appropriately. Use working clothes. Do not wear loose clothing or jewellery. Make sure that your hair, clothing, gloves or other body parts do not come overly close to rotating or heated parts of the power tool.
- ✿ Connect the equipment to the dust exhaust. If the tool offers the possibility to connect equipment for capturing dust or dust suction, make sure that it is properly connected and used. Using this equipment can reduce danger resulting from dust.
- ✿ Firmly fasten the workpiece. Use a carpenter's clamp or vice to secure the piece you will be cutting.
- ✿ Do not use power tools if you are under the influence of alcohol, drugs, medication or other narcotics or addictive substances.
- ✿ This equipment is not intended to be used by persons with limited physical, sensory or mental abilities (including children) or persons with insufficient experience and knowledge, unless they are supervised or received instructions to use the equipment from a person responsible for his/her safety. Children must be supervised in order to ensure that they are not playing with the equipment.

Using power tools and their maintenance

- ✿ Always disconnect the power tool from the electric grid if there is any problem during work, before every cleaning or maintenance, during every shift and after finishing work! Never work with power tools if they are damaged in any way.
- ✿ If the tool starts emitting abnormal noises or odours, immediately stop working.

- ✿ Do not overload power tools. The power tool will function better and more safely if it operates at speeds for which it was designed. Use correct tools that are designated for the given activity. The correct tool works better and more safely.
- ✿ Do not use power tools that cannot be turned on safely and cannot be turned on and off with a control switch. Using this type of tool is dangerous. Faulty switches must be repaired at a certified service centre.
- ✿ Disconnect the tool from the power supply before you start setting, changing accessories or maintenance. This measure will prevent the risk of accidental start-up.
- ✿ Store unused power tools so that they are out of the reach of children and unauthorized persons. Power tools in the hands of inexperienced users can be dangerous. Store power tools in a dry and safe place.
- ✿ Keep power tools in good condition. Regularly check the setting of moving parts and their movability. Check if the protective cover or other parts that can limit the safe functioning of the power tool are not damaged. If the tool is damaged, ensure its proper repair before the next use. Many injuries are caused by poorly maintained power tools.
- ✿ Keep cutting tools sharp and clean. Properly maintained and sharpened tools make work easier, limit the risk of injury and work with them is much more easily controlled. Using other accessories than those listed in the instruction manual can cause damage to the tool and can cause injury.
- ✿ Use power tools, accessories, work tools, etc. in accordance with these instructions and in a way that is described for the specific power tool and with regard to the given working conditions and the type of job. Using tools for other purposes than those intended can lead to dangerous situations.

Using cordless tools

- ✿ Before inserting the battery, make sure that the switch is in the "O-off" position. Inserting the battery into a running tool can cause dangerous situations.
- ✿ To charge the battery, only use chargers that are specified by the manufacturer. Using a charger for a different kind of battery can cause damage to the battery and result in fire.
- ✿ Only use batteries that are designated for the given tool. Using other batteries can cause injury or result in fire.
- ✿ If the battery is not used, store it away from metal objects such as clamps, wrenches, screws and other small metal objects that could cause the connection of one battery contact with the other. Short-circuiting the battery can cause injury, burns or fire.
- ✿ Handle batteries with care. In the case of improper care, chemical substances can leak from the battery. Avoid coming into contact with this substance and if you do come into contact with it, rinse the affected area under running water. If the chemical substance comes into contact with the eye, immediately seek out medical attention. The chemical substance from the battery can cause serious injury.

Service

- ✿ Do not change parts of the tool, do not perform repairs on your own and do not interfere with the tool's construction in any way. Leave tool repairs to qualified persons.
- ✿ Each repair or product modification performed without our company's permission is inadmissible (it can cause injury or harm to the user).
- ✿ Always leave tools to be repaired in a certified service centre. Use only original or recommended spare parts. This will ensure your and your tool's safety.

5. SPECIFIC SAFETY INSTRUCTIONS

⚠ WARNING! Before use, please read these safety Instructions and store them with care.

- ✿ Please ensure that the voltage of the mains power supply corresponds to the value stated on the type plate. The tool is equipped with a two-pole lead and plug!
- ✿ Wear safety glasses and a face or dust mask if the cutting or drilling operation is dusty. When using the tool for extended periods, or where the noise level is high, use adequate hearing protection.
- ✿ If devices are provided for the connection of dust extraction and collection facilities, ensure these are connected and properly used. Always empty the dust collection bag when full.
- ✿ Use clamps or a vice to hold the work piece. It is safer than using your hand and frees both hands to operate the tool.
- ✿ Ensure the power cord is arranged so that it cannot be tripped over, stepped on or have heavy weights rested on it; and make sure that the cord will not be subjected to any damage.
- ✿ A risk of injury exists in the case that instructions in this manual are not followed.
- ✿ The jigsaw complies with valid technical regulations and norms.
- ✿ When working with the jigsaw, the protective cover must always be pushed down.
- ✿ Regularly check both screws on the clamp of the saw blade.
- ✿ Do not use damaged or worn saw blades.
- ✿ Regularly check the setting of the guide pulley.
- ✿ Do not turn the saw on if the saw blade slid into the workpiece.
- ✿ Never overload the saw so much that the engine ceases.
- ✿ Never try to stop the movement of the saw blade, even when the engine is turned off.
- ✿ The saw blade itself is removed very quickly. The blade's teeth are very sharp.
- ✿ Never aim the saw at another person.
- ✿ Use protective gear against noise, dust and vibrations!!!

⚠ WARNING! Keep these safety instructions!!!

6. HEARING PROTECTION

⚠ WARNING! In case the sound pressure level exceeds the value of 85.0 dB(A), wear adequate hearing protection to avoid damage to your hearing!

7. OPERATION

Working with a jig saw

⚠ WARNING! The saw is exclusively dedicated to home or hobby use. The manufacturer and importer do not recommend using this tool in extreme conditions and excessive loads. Any kind of further requests must be the subject of agreement between the manufacturer and customer.

✿ The tool is an electronic speed controlled, pendulum action jig saw. The adjustable speed and 3-stage pendulum action gives an enhanced cutting performance and optimum curve-cutting action, saving the blade from wear. Before using the jig saw, read the instructions thoroughly and acquaint yourselves with its features.

✿ Make sure that the working area is clear of all obstacles particularly on the reverse side of the cut. If you use the saw with one hand always ensure your free hand is away from the cutting area.

📖 Note: It is recommended that the mains plug is removed from any socket or extension lead prior to ANY adjustment or service being undertaken to avoid accidental start up of the product.

Saw blade replacement

⚠ WARNING! Turn off the jig saw and unplug the power supply cable from the socket.

✿ Select a saw blade as applicable for the material to be cut.

✿ Lift the plastic transparent cover, turn the keyless chuck to the right, insert the blade all the way (teeth facing you) and release the keyless chuck.

✿ Insert the blade into the blade holder, ensuring that the teeth are pointing forward and the flat back edge of the blade locates in the guide roller.

✿ Close the protective plastic transparent cover.

✿ Check the blade is correctly positioned in the guide roller and that it is secure in the blade holder.

Dust exhaust

Insert the extraction nozzle into the dust extraction opening at the rear of the saw and twist anticlockwise to secure. (Clockwise to remove.) Attach a standard vacuum cleaner hose and let the vacuum collect the dust as you saw. Always use a face mask, even when using the vacuum extraction system.

Pendulum action control

- ✿ The pendulum stroke action can be adjusted using the pendulum knob located on the left hand side of the jig saw, near the blade.
- ✿ There are four marked settings: 0, 1, 2 and 3
- ✿ Indications of the best pendulum stroke setting for a particular job are given below:

Sheet metal	0
Steel	0
Plywood	2-3
Aluminium	0
Plastics	1-2
Wood	2-3

Angle sawing

- ✿ The jig saw can be used to cut at various angles by adjusting the base plate.
- ✿ Before adjusting the base plate, ensure that the jig saw is unplugged from the mains.
- ✿ To adjust the base plate, loosen the hexagon bolt on the underside of the jig saw using the hexagon key.
- ✿ Slide the base plate forwards, incline it at the desired angle (range: 15°, 30°, 45°)
- ✿ Tighten the hexagon bolt using the hexagon key.
- ✿ Operate the same way as for straight cutting, ensuring that the base plate is firmly held flat against the work piece.

Straight cutting

- ✿ Ensure the work piece is firmly secured in a vice or workbench.
- ✿ Mark a line on the work piece through which the cut is required.
- ✿ Start up the jig saw and place the front of the base plate onto the work piece.
- ✿ Align the blade with the cutting mark on the work piece.
- ✿ Slowly move the jig saw forward along the cutting mark. Press the jig saw down firmly onto the work piece to prevent the blade from snagging or breaking.
- ✿ Allow the tool to work at its own pace, letting the blade cut freely - do not force the tool. Increasing pressure will not result in a faster cut.
- ✿ Choose an appropriate blade according to the required job and finish, depending on the type and thickness of the material. Large teeth will give a quick, coarse cut and small teeth will produce a quality finish.
- ✿ When cutting thin board, place it on a wood board to help absorb vibrations

ON/OFF switch

- ✿ The on/off switch (1) is located in the saw handle.
- ✿ Depress the trigger switch to turn on the jig saw.
- ✿ The on/off switch can be locked with the locking button on the side of the saw handle.
- ✿ To unlock the switch, depress the switch button again. Always ensure that the switch is in the off position before connecting the tool to the mains. Always disconnect the tool from the mains when not in use.

Cleaning and Storing Instructions

⚠ WARNING! Prior to maintenance and cleaning, ensure the power is disconnected from the saw. Unplug the power cable from the power supply network. Use only mild soap and a slightly damp cloth to clean your saw. Many household cleaners contain chemicals which could seriously damage the plastic. Do not use petrol, turpentine, lacquer or paint thinners or similar products to clean the machine. Never let any liquid get inside the tool and never immerse any part of your saw into liquid.

- ✿ Never use water or other liquids to clean the electrical parts of the tool.
- ✿ Always clean the tool after use.
- ✿ Ensure the ventilation slots do not become blocked to prevent overheating.

- ✿ Check the carbon brushes regularly (dirty or worn carbon brushes result in excessive sparking and speed faults).
- ✿ Always replace the carbon brushes in pairs.

8. MACHINE CARE

Overload

Never use excessive force when cutting. Too much pressure reduces the speed of the machine, and the required power is greatly reduced. This may result in overload which can damage the motor of the machine. When the machine becomes too hot, allow it to run for two minutes at no load and then interrupt working for a short time. Clean the machine with a clean cloth and a brush. Ensure that the ventilation slots are not blocked.

9. WARRANTY

The Warranty Card shall be valid only when submitted together with the purchase receipt. Keep the both documents in a safe place. To lodge a warranty complaint, turn to your dealer or a service centre. The warranty shall apply to all product defects and faults that occurred during the warranty period and were demonstrably attributable to material or manufacturing defects. In such cases the product shall be repaired and/or adjusted. The warranty shall not apply to standard wear of the product, as well as to faults attributable to overloading, using of inappropriate accessories or improper operation of the product.

10. TECHNICAL SPECIFICATIONS

Nominal voltage.....	20V DC
Speed	2 400 rpm
Cutting depth in wood	51 mm
Cutting depth in steel	4 mm
Pendulum positions	0, I, II, III
Bevel angle	0°- 45°
Sound pressure level	77.8dB(A),K=5dB(A)
Sound power level	88.8dB(A),K=5dB(A)
Vibration level	$a_{hB} = 7.79 \text{ m/s}^2$ $K = 1.5 \text{ m/s}^2$ $a_{hM} = 8.60 \text{ m/s}^2$ $K = 1.5 \text{ m/s}^2$

Instructions Manual - language version only.

Amendments to text and technical parameters are reserved.

Changes in the text, design and technical specifications may change without prior notice and we reserve the right to make these changes. keep it from turning as the drill bit rotates.

Troubleshooting

1. The trigger is pressed but the device is not working: For the cordless device to work, you need a sufficiently charged battery. The battery will go flat if you do not use the cordless device for an extended period of time. Try charging the battery. Check that the battery is correctly seated in the charger. The charger will heat up while charging, this is normal.
2. The battery is leaking: At extreme temperatures or when under extreme load, a small amount of leakage may occur. If you happen to touch the fluid, immediately wash it off your skin or clothing with soap and water.
3. The battery is not charging and the light on the charger is not lit: If the battery is not charging, check that it is correctly seated in the charger and check that the indicator light is lit. If it is not lit, check that the power plug of the charger is correctly plugged into the socket. If it is, check the socket's fuse/circuit breaker.
4. The body of the device heats up after extended use: Under normal load the body, trigger and battery will heat up because the energy consumed when drilling generates heat. This is normal. Simply allow the device to cool down for several minutes.
5. The battery heats up during use: Energy drawn from the battery generates heat. It does not damage the battery, heat from drawing energy is normal. If you wish to cool the battery down, allow the device to cool down for a few minutes before continuing with work.
6. The battery heats up while charging: This is normal and is the result of chemical reactions taking place inside the battery during the charging process.
7. The charging unit will heat up while charging: This is normal and is caused by the reduction of voltage from 230V to 18V.

11. DISPOSAL

INSTRUCTIONS AND INFORMATION ON DISPOSAL OF USED PACKAGING.

Put any used package material to the place determined by the municipality for waste disposal.

DISPOSAL OF USED ELECTRIC AND ELECTRONIC EQUIPMENT



This symbol on products or accompanying documents means that used electric or electronic products must not be put to ordinary municipal waste. Hand over such products to determined collection points for proper disposal, restoration and recycling. Alternatively, in some countries of the European Union or other European countries you can return your products to your local dealer when you buy an equivalent new product. By dutiful disposal of this product you can preserve precious natural resources and you help prevent any potential adverse effects on the environment and human health which could be the results of wrong waste disposal. Ask your local authority or the nearest collection point for additional details. In case of improper disposal of this waste kind penalties can be imposed in accordance with national regulations.

For companies in the European Union countries

Should you want to dispose of electric and electronic devices, ask your dealer or vendor for necessary information. Disposal in other countries outside the European Union. Should you want to dispose of this product, ask your local authorities or your dealer for necessary information about disposal method.



This product fulfils all basic requirements of the EU directives that apply to it.

Text, design and technical specifications can change without prior notice and we reserve the right for their change.

EU DECLARATION OF CONFORMITY

Product / brand: Cordless Jig Saw / **FIELDMANN**

Type / model: **FDUP 50401-0** as factory model HL-JS07Li-1200S
DC 20 V (battery powered), speed 2400/m⁻¹, Class III, IPX0
L_{PA} = 77,8dB(A), L_{WA} = 88,8dB(A)

Manufacturer: FAST ČR, a.s.
Černokostecká 2111, 100 00 Praha 10, Czech Republic
VAT no: CZ26726548

The product is inline with directives and regulations listed below:

Directive MD 2006/42/EC
Directive EMC 2014/30/EU
Directive RoHS 2011/65/EU

and norms:

EN 62841-1:2015
EN 62841-2-11:2016
EN 55014-1:2017
EN 55014-2:2015



Place of issuance: Prague

Name: Ing. Zdeněk Pech
Chairman of the Board

Date of issuance: 15. 6. 2020

Signature:

FAST® FAST ČR, a.s. ©
Černokostecká 1621, 251 01 Říčany
IČO: 26726548 tel.: +420/ 323 204 111
DIČ: CZ26726548 fax: +420/ 323 204 110

Akumulátorová přímočará pila

NÁVOD K OBSLUZE

Děkujeme vám, že jste si zakoupili tuto akumulátorovou přímočarou pilu. Než ji začnete používat, přečtěte si, prosím, pozorně tento návod k obsluze a uschovejte jej pro případ dalšího použití.

OBSAH

1. VŠEOBECNÉ BEZPEČNOSTNÍ PŘEDPISY	21
2. SYMBOLY	22
3. POPIS STROJE A OBSAH DODAVKY	23
4. OBECNÉ BEZPEČNOSTNÍ POKYNY	23
5. ZVLÁŠTNÍ BEZPEČNOSTNÍ POKYNY	27
6. OCHRANA SLUCHU	28
7. PROVOZ	28
8. PÉČE O NÁŘADÍ	31
9. ZÁRUKA	32
10. TECHNICKÉ ÚDAJE	32
11. LIKVIDACE	33

1. VŠEOBECNÉ BEZPEČNOSTNÍ PŘEDPISY

⚠ POZOR! Před použitím si pečlivě přečtěte návod k použití.

Důležitá bezpečnostní upozornění

- ✿ Výrobek pečlivě vybalte a dejte pozor, abyste nevyhodili žádnou část obalového materiálu dříve, než najdete všechny součásti výrobku.
- ✿ Výrobek uchovávejte na suchém místě mimo dosah dětí.
- ✿ Čtěte všechna upozornění a pokyny. Zanedbání při dodržování varovných upozornění a pokynů mohou mít za následek úraz elektrickým proudem, požár a/nebo těžká poranění.

Obal

Výrobek je umístěn v obalu bránícím poškozením při transportu. Tento obal je surovinou a lze jej proto odevzdat k recyklaci.

Návod k použití

Než začnete se strojem pracovat, přečtěte si následující bezpečnostní předpisy a pokyny k používání. Seznamte se s obslužnými prvky a správným používáním zařízení. Návod pečlivě uschovejte pro případ pozdější potřeby. Minimálně po dobu záruky doporučujeme uschovat originální obal včetně vnitřního balicího materiálu, pokladní doklad a záruční list. V případě přepravy zabalte stroj zpět do originální krabice od výrobce, zajistíte si tak maximální ochranu výrobku při případném transportu (např. stěhování nebo odeslání do servisního místa).

- 📖 Poznámka:** Předáváte-li stroj dalším osobám, předejte jej společně s návodem. Dodržování přiloženého návodu k obsluze je předpokladem řádného používání stroje. Návod k obsluze obsahuje rovněž pokyny pro obsluhu, údržbu a opravy.

Výrobce nepřebírá odpovědnost za nehody nebo škody vzniklé následkem nedodržování tohoto návodu.

2. SYMBOLY



Tento produkt je vyroben v souladu se schválenými normami.



Před použitím stroje si pozorně přečtěte návod k obsluze.



Použijte ochranné pomůcky na oči



Použijte ochranné pomůcky na uši

3. POPIS STROJE A OBSAH DODÁVKY

Popis stroje (viz obr. 1)

- 1 - Hlavní vypínač (ZAP/VYP)
- 2 - Regulátor předkyvu
- 3 - Základna
- 4 - Aretace vypínače
- 5 - Držák pilového listu
- 6 - Vodítko

Obsah dodávky

Stroj vyjměte opatrně z obalu a zkontrolujte, zda jsou následující díly kompletní:

- ✿ Přímočará pila
- ✿ Pravoúhlý držák vzdálenosti řezu
- ✿ 2ks pilového listu
- ✿ Záruční list
- ✿ Návod k obsluze

Pokud díly chybí nebo jsou poškozeny, obraťte se, prosím, na prodejce, kde jste stroj zakoupili.

4. OBECNÉ BEZPEČNOSTNÍ POKYNY

Tyto bezpečnostní pokyny si pečlivě prostudujte, zapamatujte a uschovejte

⚠ UPOZORNĚNÍ! Při používání elektrických strojů a elektrického nářadí je nutno respektovat a dodržovat následující bezpečnostní pokyny z důvodů ochrany před úrazem elektrickým proudem, zraněním osob a nebezpečím vzniku požáru. Výrazem „elektrické nářadí“ je ve všech níže uvedených pokynech myšleno jak elektrické nářadí napájené ze sítě (napájecím kabelem), tak nářadí napájené z baterií (bez napájecího kabelu). Uschovejte všechna varování a pokyny pro příští použití.

Pracovní prostředí

- ✿ Udržujte pracovní prostor v čistém stavu a dobře osvětlen. Nepořádek a tmavá místa na pracovišti bývají příčinou úrazů. Ukliděte nářadí, které právě nepoužíváte.
- ✿ Nepoužívejte elektrické nářadí v prostředí s nebezpečím vzniku požáru nebo výbuchu, to znamená v místech, kde se vyskytují hořlavé kapaliny, plyny nebo prach. V elektrickém nářadí vzniká na komutátoru jiskření, které může být příčinou vznícení prachu nebo výparů.

- ✿ Při používání el. náradí zamezte přístupu nepovolaných osob, zejména dětí, do pracovního prostoru! Budete-li vyrušováni, můžete ztratit kontrolu nad prováděnou činností. V žádném případě nenechávejte el. náradí bez dohledu. Zabraňte zvířatům přístup k zařízení.

Elektrická bezpečnost

- ✿ Vidlice napájecího kabelu elektrického náradí musí odpovídat síťové zásuvce. Nikdy jakýmkoliv způsobem neupravujte vidlici. K náradí, které má na vidlici napájecího kabelu ochranný kolík, nikdy nepoužívejte rozdvojky ani jiné adaptéry. Nepoškozené vidlice a odpovídající zásuvky omezí nebezpečí úrazu elektrickým proudem. Poškozené nebo zamotané napájecí kabely zvyšují nebezpečí úrazu elektrickým proudem. Pokud je síťový kabel poškozen, je nutno jej nahradit novým síťovým kabelem, který je možné získat v autorizovaném servisním středisku nebo u dovozce.
- ✿ Vyvarujte se dotyku těla s uzemněnými předměty, jako např. potrubí, tělesa ústředního topení, sporáky a chladničky. Nebezpečí úrazu elektrickým proudem je větší, je-li vaše tělo spojeno se zemí.
- ✿ Nevystavujte elektrické náradí dešti, vlhku nebo mokru. Elektrického náradí se nikdy nedotýkejte mokřýma rukama. Elektrické náradí nikdy neumývejte pod tekoucí vodou ani ho neponořujte do vody.
- ✿ Nepoužívejte napájecí kabel k jinému účelu, než pro jaký je určen. Nikdy nenoste a netahujte elektrické náradí za napájecí kabel. Nevytahujte vidlici ze zásuvky tahem za kabel. Zabraňte mechanickému poškození elektrických kabelů ostrými nebo horkými předměty.
- ✿ El. náradí bylo vyrobeno výlučně pro napájení střídavým el. proudem. Vždy zkontrolujte, že elektrické napětí odpovídá údajům uvedenému na typovém štítku náradí.
- ✿ Nikdy nepracujte s náradím, které má poškozený el. kabel nebo vidlici, nebo spadlo na zem a je jakýmkoliv způsobem poškozené.
- ✿ V případě použití prodlužovacího kabelu vždy zkontrolujte, že jeho technické parametry odpovídají údajům uvedeným na typovém štítku náradí. Je-li elektrické náradí používáno venku, používejte prodlužovací kabel vhodný pro venkovní použití. Při použití prodlužovacích kabelů je nutné je rozvinout, aby nedocházelo k přehřátí kabelu.
- ✿ Je-li elektrické náradí používáno ve vlhkých prostorech nebo venku, je povoleno jej používat pouze, pokud je zapojeno do el. obvodu s proudovým chráničem ≤ 30 mA. Použití el. obvodu s chráničem /RCD/ snižuje riziko úrazu elektrickým proudem.
- ✿ Ruční el. náradí držte výhradně za izolované plochy určené k uchopení, protože při provozu může dojít ke kontaktu řezacího či vrtacího příslušenství se skrytým vodičem nebo s napájecí šňůrou náradí.

Bezpečnost osob

- ✿ Při používání elektrického nářadí buďte pozorní a ostražití, věnujte maximální pozornost činnosti, kterou právě provádíte. Soustřeďte se na práci. Nepracujte s elektrickým nářadím pokud jste unaveni, nebo jste-li pod vlivem drog, alkoholu nebo léků. I chvilková nepozornost při používání elektrického nářadí může vést k vážnému poranění osob. Při práci s el. nářadím nejezte, nepijte a nekuřte.
- ✿ Používejte ochranné pomůcky. Vždy používejte ochranu zraku. Používejte ochranné prostředky odpovídající druhu práce, kterou provádíte. Ochranné pomůcky jako např. respirátor, bezpečnostní obuv s protiskluzovou úpravou, pokrývka hlavy nebo ochrana sluchu používané v souladu s podmínkami práce snižují riziko poranění osob.
- ✿ Vyvarujte se neúmyslného zapnutí nářadí. Nepřenášejte nářadí, které je připojeno k elektrické síti, s prstem na spínači nebo na spoušti. Před připojením k elektrickému napájení se ujistěte, že spínač nebo spoušť jsou v poloze „vypnuto“. Přenášení nářadí s prstem na spínači nebo zapojování vidlice nářadí do zásuvky se zapnutým spínačem může být příčinou vážných úrazů.
- ✿ Před zapnutím nářadí odstraňte všechny seřizovací klíče a nástroje. Seřizovací klíč nebo nástroj, který zůstane připevněn k otáčející se části elektrického nářadí může být příčinou poranění osob.
- ✿ Vždy udržujte stabilní postoj a rovnováhu. Pracujte jen tam, kam bezpečně dosáhnete. Nikdy nepřeceňujte vlastní sílu. Nepoužívejte elektrické nářadí, jste-li unaveni.
- ✿ Oblékejte se vhodným způsobem. Používejte pracovní oděv. Nenoste volné oděvy ani šperky. Dbejte na to, aby se vaše vlasy, oděv, rukavice nebo jiná část vašeho těla nedostala do přílišné blízkosti rotujících nebo rozpálených částí el.nářadí.
- ✿ Připojte zařízení k odsávání prachu. Jestliže má nářadí možnost připojení zařízení pro zachycování nebo odsávání prachu, zajistěte, aby došlo k jeho řádnému připojení a používání. Použití těchto zařízení může omezit nebezpečí vznikající prachem.
- ✿ Pevně upevněte obrobek. Použijte truhlářskou svěrku nebo svěrák pro upevnění dílu, který budete obrábět.
- ✿ Nepoužívejte elektrické nářadí pokud jste pod vlivem alkoholu, drog, léků nebo jiných omamných či návykových látek.
- ✿ Toto zařízení není určeno pro použití osobami (včetně dětí) se sníženými fyzickými, smyslovými nebo mentálními schopnostmi nebo s nedostatkem zkušeností a znalostí, pokud nejsou pod dozorem nebo nedostali pokyny s ohledem na použití zařízení od osoby zodpovědné za jejich bezpečnost. Děti musí být pod dozorem, aby jste se ujistili, že si nehrají se zařízením.

Používání elektrického nářadí a jeho údržba

- ✿ El. nářadí vždy odpojte z el. sítě v případě jakéhokoliv problému při práci, před každým čištěním nebo údržbou, při každém přesunu a po ukončení práce! Nikdy nepracujte s el. nářadím, pokud je jakýmkoliv způsobem poškozené.

- ✿ Pokud začne nářadí vydávat abnormální zvuk nebo zápach, okamžitě ukončete práci.
- ✿ Elektrické nářadí nepřetěžujte. Elektrické nářadí bude pracovat lépe a bezpečněji, pokud jej budete provozovat v otáčkách, pro které bylo navrženo. Používejte správné nářadí, které je určeno pro danou činnost. Správné nářadí bude lépe a bezpečněji vykonávat práci, pro kterou bylo zkonstruováno.
- ✿ Nepoužívejte elektrické nářadí, které nelze bezpečně zapnout a vypnout ovládacím spínačem. Používání takového nářadí je nebezpečné. Vadné spínače musí být opraveny certifikovaným servisem.
- ✿ Odpojte nářadí od zdroje elektrické energie předtím, než začnete provádět jeho seřizování, výměnu příslušenství nebo údržbu. Toto opatření zamezí nebezpečí náhodného spuštění.
- ✿ Nepoužívané elektrické nářadí uklidte a uschovejte tak, aby bylo mimo dosah dětí a nepovolaných osob. Elektrické nářadí v rukou nezkušených uživatelů může být nebezpečné. Elektrické nářadí skladujte na suchém a bezpečném místě.
- ✿ Udržujte elektrické nářadí v dobrém stavu. Pravidelně kontrolujte seřízení pohybujících se částí a jejich pohyblivost. Kontrolujte zda nedošlo k poškození ochranných krytů nebo jiných částí, které mohou ohrozit bezpečnou funkci elektrického nářadí. Je-li nářadí poškozeno, před dalším použitím zajistěte jeho řádnou opravu. Mnoho úrazů je způsobeno špatně udržovaným elektrickým nářadím.
- ✿ Řezací nástroje udržujte ostré a čisté. Správně udržované a naostřené nástroje usnadňují práci, omezují nebezpečí zranění a práce s nimi se snáze kontroluje. Použití jiných příslušenství než těch, která jsou uvedena v návodu k obsluze mohou způsobit poškození nářadí a být příčinou zranění.
- ✿ Elektrické nářadí, příslušenství, pracovní nástroje atd. používejte v souladu s těmito pokyny a takovým způsobem, který je předepsán pro konkrétní elektrické nářadí a to s ohledem na dané podmínky práce a druh prováděné práce. Používání nářadí k jiným účelům, než pro jaké je určeno, může vést k nebezpečným situacím.

Používání akumulátorového nářadí

- ✿ Před vložením akumulátoru se přesvědčte, že je vypínač v poloze „0-vypnuto“. Vložení akumulátoru do zapnutého nářadí může být příčinou nebezpečných situací.
- ✿ K nabíjení akumulátorů používejte pouze nabíječky předepsané výrobcem. Použití nabíječky pro jiný typ akumulátoru může mít za následek jeho poškození a vznik požáru.
- ✿ Používejte pouze akumulátory určené pro dané nářadí. Použití jiných akumulátorů může být příčinou zranění nebo vzniku požáru.
- ✿ Pokud není akumulátor používán, uchovávejte ho odděleně od kovových předmětů jako jsou svorky, klíče, šrouby a jiné drobné kovové předměty, které by mohly způsobit spojení jednoho kontaktu akumulátoru s druhým. Zkratování akumulátoru může zapříčinit zranění, popáleniny nebo vznik požáru.

- ✿ S akumulátory zacházejte šetrně. Při nešetrném zacházení může z akumulátoru uniknout chemická látka. Vyvarujte se kontaktu s touto látkou a pokud i přesto dojde ke kontaktu, vymyjte postižené místo proudem tekoucí vody. Pokud se chemická látka dostane do očí, vyhledejte ihned lékařskou pomoc. Chemická látka z akumulátoru může způsobit vážná poranění.

Servis

- ✿ Nevyměňujte části nářadí, neprovádějte sami opravy, ani jiným způsobem nezasahujte do konstrukce nářadí. Opravy nářadí svěřte kvalifikovaným osobám.
- ✿ Každá oprava nebo úprava výrobku bez oprávnění naší společnosti je nepřijatelná (může způsobit úraz, nebo škodu uživateli).
- ✿ Elektrické nářadí vždy nechte opravit v certifikovaném servisním středisku. Používejte pouze originální nebo doporučené náhradní díly. Zajistíte tak bezpečnost Vaši i Vašeho nářadí.

5. ZVLÁŠTNÍ BEZPEČNOSTNÍ POKYNY

⚠ POZOR! Před použitím si prosím pozorně přečtěte tyto bezpečnostní pokyny a pečlivě je uschovejte.

- ✿ Ujistěte se, že napěťová hladina napájecí sítě odpovídá údajům na typovém štítku nářadí. Pila je vybavena dvoupólovým kabelem a zástrčkou!
- ✿ Při práci používejte ochranné brýle a v případě tvorby prachu při řezání či vrtání také respirátor. Při delší práci s nářadím nebo při velké hlučnosti používejte vhodnou ochranu sluchu.
- ✿ Pokud je pila vybavena přípojkami pro vysavač nebo sběrač prachu, pak tato zařízení při provozu pily skutečně používejte. Sáček ve vysavači nebo sběrači pravidelně vyměňujte.
- ✿ Obráběný kus si před zahájením práce upevněte do svěraku nebo čelistí. Tento postup je bezpečnější, než když budete obrobek pouze přidržovat rukou, a navíc budete mít obě ruce volné pro ovládání nářadí.
- ✿ Napájecí kabel nářadí uložte při práci tak, aby se o něj nedalo zakopnout, šlápnout na něj nebo položit na něj těžké břemeno. Ujistěte se, že během práce nedojde k poškození kabelu.
- ✿ V případě nedodržení pokynů uvedených v této příručce, hrozí riziko úrazu.
- ✿ Přímočará pila odpovídá platným technickým předpisům a normám.
- ✿ Při práci s přímočarou pilou musí být ochranný kryt vždy zasunut dole.
- ✿ Pravidelně kontrolujte oba šrouby na držáku pilového listu.
- ✿ Nepoužívejte poškozené nebo opotřebované pilové listy.
- ✿ Pravidelně kontrolujte nastavení vodící kladky.
- ✿ Nespouštějte pilu, je-li pilový list zasunut v obrobek.
- ✿ Nikdy nepřetěžujte pilu natolik, aby se motor zastavil.
- ✿ Nikdy se nesnažte zastavit pohyb pilového listu, ani když je motor již vypnutý.
- ✿ Pilový list se sám velmi rychle vysune. Zuby listu jsou velmi ostré.

- ✿ Pilou nikdy nemiřte na jiné osoby.
- ✿ Používejte ochranné prostředky proti hluku, prachu a vibracím !!!

⚠ POZOR! Tyto bezpečnostní pokyny uschovejte !!!

6. OCHRANA SLUCHU

⚠ POZOR! V případě, že hodnota akustického tlaku překročí 85,0 dB(A), použijte vhodnou ochranu sluchu. Zabráníte tak poškození svého sluchu!

7. PROVOZ

Práce s přímočarou pilou

⚠ POZOR! Pila je určena výhradně pro domácí nebo hobby použití. Výrobce a dovozce nedoporučují používat toto nářadí v extrémních podmínkách a při vysokém zatížení. Jakékoliv další doplňující požadavky musí být předmětem dohody mezi výrobcem a odběratelem

- ✿ Jedná se o přímočarou pilu s předkyvem a elektronickou regulací otáček. Regulací otáček a třístupňovou regulací předkyvu dosáhnete vynikajícího řezného výkonu a optimální řezné křivky s minimálním opotřebením pilového listu. Před prvním použitím nářadí si pečlivě přečtěte návod a seznamte se s jednotlivými funkcemi stroje.
- ✿ Ujistěte se, že v pracovní oblasti nejsou žádné překážky, zejména na zadní straně řezaného objektu. Pokud pilu ovládáte jednou rukou, pracujte velmi opatrně a volnou ruku mějte vždy mimo oblast řezání.

📖 Poznámka: Před seřizováním nářadí nebo výměnou příslušenství VŽDY odpojte zařízení od napájení (vytáhněte vidlici napájecího kabelu ze zásuvky). Zabráníte tím náhodnému spuštění stroje při manipulaci.

Výměna pilového listu

⚠ POZOR! Vypněte pilu a vytáhněte zástrčku napájecího kabelu ze zásuvky.

- ✿ Typ pilového listu zvolte dle materiálu, který se chystáte řezat.
- ✿ Odklopte plastový transparentní kryt, otočte rychloupínací skličidlo směrem doprava, vsuňte list (zuby k sobě) až na doraz a rychloupínací skličidlo povolte.
- ✿ Zasuňte list do držáku, zuby musí směřovat vpřed a plochá zadní hrana musí být zasunutá do vodícího válečku.
- ✿ Zaklopte zpět ochranný plastový transparentní kryt.
- ✿ Zkontrolujte správnou polohu listu ve vodícím válečku a pevné uchycení listu v držáku.

Odsávání prachu

Do přípojky pro odsávání prachu v zadní části stroje zasuněte hubici a pohybem proti směru hodinových ručiček ji utáhněte. Pohybem po směru hodinových ručiček hubici zase povolíte. Na hubici připojte hadici běžného vysavače, který bude po dobu řezání odsávat prach a piliny. Vždy použijte respirátor, přestože používáte systém odsávání prachu.

Nastavení předkyvu

- ☼ Kyvný zdvih nastavíme pomocí regulátoru umístěného u pilového listu na levé straně přímočaré pily.
- ☼ Máte možnost nastavit čtyři stupně předkyvu: 0, 1, 2 a 3.
- ☼ Doporučené nastavení předkyvu pro řezání jednotlivých druhů materiálů:

Plech	0
Ocel	0
Dřevotříska	2-3
Hliník	0
Plasty	1-2
Dřevo	2-3

Úhlové řezání

- ☼ Upravením základny budete moci provádět řezy pod různým úhlem.
- ☼ Před seřízením základny se ujistěte, že je pila odpojena od napájení.
- ☼ Pro seřízení základny povolte šestihranným klíčem šestihranný šroub na spodní straně pily.
- ☼ Posuňte základnu směrem vpřed a naklopte ji do požadovaného úhlu (polohy: 15°, 30°, 45°).
- ☼ Šestihranným klíčem opět dotáhněte šestihranný šroub.
- ☼ Při řezání postupujte stejně, jako byste řezali přímý řez. Základnu pily pevně přidržujte vodorovně s obrobkem.

Přímé řezání

- ✿ Ujistěte se, že řezaný díl je pevně uchycen ve svěráku nebo na pracovním stole.
- ✿ Na řezaný kus si narýsujte linku, kudy povedete řez.
- ✿ Spusťte pilu a položte přední část základny na řezaný díl.
- ✿ Umístěte pilový řez do vyznačeného bodu řezu.
- ✿ Pomalu pilou pohybujte směrem vpřed po vyznačené lince řezu. Zároveň pilu tlačte směrem dolů, aby nedošlo k zaseknutí nebo zlomení pilového listu.
- ✿ Nechte pilu pracovat svým vlastním tempem, aby list mohl volně procházet řezaným materiálem – nikdy na pilu netlačte a nepřetěžujte ji. Zvýšeným tlakem proces řezání nijak neurychlíte.
- ✿ Zvolte vhodný pilový list dle řezaného materiálu, jeho povrchové úpravy a flouščky a dle typu řezání. Větší zuby provedou rychlé, hrubé řezy, zatímco povrch řezu s plátkem s jemnými zuby již bude v konečné povrchové úpravě.
- ✿ Při řezání tenkých desek na řezaný kus položte dřevěnou desku, která bude absorbovat vibrace.

Hlavní vypínač (ZAP/VYP)

- ✿ Hlavní vypínač (1) je umístěn na rukojeti pily.
- ✿ Stisknutím vypínače pilu spustíte.
- ✿ Hlavní vypínač můžete v dané poloze aretovat tlačítkem umístěným na boku rukojeti.
- ✿ Aretaci zrušíte stisknutím hlavního vypínače. Před zapojením zástrčky napájecího kabelu do zásuvky se vždy ujistěte, že je hlavní vypínač v poloze VYP. V případě, že nářadí nepoužíváte, je vždy odpojte do napájení.

Čištění a skladování

- ⚠ **POZOR!** Při provádění údržby a čištění se vždy ujistěte, že je stroj odpojen od napájení. Odpojte pilu od napájení. Pilu čistěte jemným saponátovým roztokem a vlhkým hadříkem. Pozor, mnoho běžných domácích čističů obsahuje agresivní chemické látky, které by mohly poškodit plastové díly nářadí. Nepoužívejte ani benzín, terpentýn, ředidla na nátěrové hmoty apod. Dávejte pozor, aby čistič ani voda nevnikly do vnitřního prostoru nářadí. Zabraňte ponoření jakékoli části nářadí do vody.
- ✿ Vodou ani saponátovými roztoky nečistěte elektrické prvky stroje.
- ✿ Po každém použití pilu otřete hadříkem.
- ✿ Zkontrolujte, že ventilační otvory pily jsou volné a bez prachu, zabráníte tím přehřátí stroje.

- ✿ Pravidelně kontrolujte uhlíky (zanesené nebo opotřebené uhlíky způsobují nadměrnou tvorbu jisker a snižují výkon nářadí).
- ✿ Uhlíky vždy vyměňte v párech.

8. PÉČE O NÁŘADÍ

Přetížení

Při řezání na pilu nikdy nadměrně netlačte. Nadměrný tlak snižuje otáčky nářadí a výkon pily je velmi omezen. Nadměrný tlak může způsobit přetížení stroje a následné poškození motoru. Pokud se pila nadměrně zahřeje, nechte ji běžet cca 2 minuty naprázdno, a poté práci na krátkou dobu přerušete. Pilu čistěte čistým hadříkem a kartáčkem. Ventilační otvory udržujte čisté a bez prachu.

9. ZÁRUKA

Záruční list je platný pouze spolu s dokladem o koupi. Oba doklady uchovávejte na bezpečném místě. V případě uplatnění záruky nebo požadavku na opravu se obraťte na svého prodejce nebo na servisní středisko. Záruka se vztahuje na veškeré závady a poruchy výrobku, ke kterým došlo během záruční doby prokazatelně vinou výrobní vady či vady materiálu. V takovém případě bude výrobek opraven a/nebo seřízen. Záruka se nevztahuje na běžné opotřebení výrobku, na vady vzniklé přetížením, použitím nevhodného příslušenství nebo nesprávným provozem výrobku.

10. TECHNICKÉ ÚDAJE

Jmenovité napětí.....	20V DC
Otáčky	2 400 ot./min
Hloubka řezu do dřeva	51 mm
Hloubka řezu do oceli4 mm
Stupně kyvného zdvihu0, I, II, III
Stupně pro úhlové řezání 0°- 45°
Akustický tlak	77,8 dB(A) K = 5 dB(A)
Akustický výkon	88,8 dB(A) K = 5 dB(A)
Vibrace	$a_{h,B} = 7,79 \text{ m/s}^2$ K = 1,5 m/s^2 $a_{h,M} = 8,60 \text{ m/s}^2$ K = 1,5 m/s^2

Změna textu a technických parametrů vyhrazena.

Návod k použití v originálním jazyce.

Změny v textu, designu a technických specifikacích se mohou měnit bez předchozího upozornění a vyhražujeme si právo na jejich změnu.

Řešení problémů

1. Vypínač je stlačený, ale zařazení nepracuje: Aby zařazení pracovalo, potřebuje dostatečně nabitou baterii. Pokud zařazení delší dobu nepoužíváte, baterie se vyčerpává. Pokuste se dobít baterii. Pěsveděte se, že je baterie v nabíječce umístěna správně. Po dobu nabíjení se adaptér zahřívá, což je normální.
2. Baterie teče: Při extrémních teplotách, nebo při extrémním namáhání se může vyskytnout malé prosakování. Pokud se tekutiny dotknete, okamžitě ji z pokožky nebo oblečení smyjte mýdlem a vodou.
3. Baterie se nenabíjí a světlo na nabíječce nesvíí: Pokud se baterie nenabíjí, zkontrolujte, zda je správně vložena v nabíječce a pěsveděte se, že kontrolka svíí. Pokud nesvíí, zkontrolujte, zda zástrčka nabíječky je správně vložena v zásuvce. Pokud ano, zkontrolujte pojistku zásuvky.
4. Tělo zařazení se při delším použití zahřeje: Při normálním zatížení se tělo, vypínač a baterie zahřejí, protože energie spotřebovávaná při používání zařazení produkuje teplo. Je to normální. Zařazení nechejte jednoduše několik minut vychladnout.
5. Baterie se při použití zahřeje: Energie uvolněná z baterie vytváří teplo. Nepoškozuje to baterii, teplo z uvolnění energie je normální. Pokud chcete baterii zchladit, nechte jednoduše zařazení před pokračováním v práci několik minut vypnutou.
6. Baterie se při nabíjení zahřeje: Je to normální a vyplývá to z chemických reakcí probíhajících uvnitř baterie po dobu procesu nabíjení.
7. Po dobu nabíjení se nabíjecí zařazení zahřeje: Je to normální a vyplývá to ze snížení napětí z 230 V na 18 V.

11. LIKVIDACE

POKYNY A INFORMACE O NAKLÁDÁNÍ S POUŽITÝM OBALEM

Použitý obalový materiál odložte na místo určené obcí k ukládání odpadu.

LIKVIDACE POUŽITÝCH ELEKTRICKÝCH A ELEKTRONICKÝCH ZAŘÍZENÍ



Tento symbol na produktech anebo v průvodních dokumentech znamená, že použité elektrické a elektronické výrobky nesmí být přidány do běžného komunálního odpadu. Ke správné likvidaci, obnově a recyklaci předejte tyto výrobky na určená sběrná místa. Alternativně v některých zemích Evropské unie nebo jiných evropských zemích můžete vrátit své výrobky místnímu prodejci při koupi ekvivalentního nového produktu. Správnou likvidací tohoto produktu pomůžete zachovat cenné přírodní zdroje a napomáháte prevenci potenciálních negativních dopadů na životní prostředí a lidské zdraví, což by mohly být důsledky nesprávné likvidace odpadů. Další podrobnosti si vyžádejte od místního úřadu nebo nejbližšího sběrného místa. Při nesprávné likvidaci tohoto druhu odpadu mohou být v souladu s národními předpisy uděleny pokuty.

Pro podnikové subjekty v zemích Evropské unie

Chcete-li likvidovat elektrická a elektronická zařízení, vyžádejte si potřebné informace od svého prodejce nebo dodavatele. Likvidace v ostatních zemích mimo Evropskou unii Tento symbol je platný v Evropské unii. Chcete-li tento výrobek zlikvidovat, vyžádejte si potřebné informace o správném způsobu likvidace od místních úřadů nebo od svého prodejce.



Tento výrobek splňuje veškeré základní požadavky směrnic EU, které se na něj vztahují.

Změny v textu, designu a technických specifikacích se mohou měnit bez předchozího upozornění a vyhrazujeme si právo na jejich změnu.

EU PROHLÁŠENÍ O SHODĚ

Produkt/ značka: Akumulátorová přímočará pila / **FIELDMANN**

Typ/ model: **FDUP 50401-0** jako výrobní model HL-JS07Li-1200S
DC 20 V, otáčky 2400/m⁻¹, Třída III, IPX0
naměřená hladina akustického výkonu: L_{PA}= 77,8 dB(A)
garantovaná hladina akustického výkonu: L_{WA}= 88,8 dB(A)

Výrobce: FAST ČR, a.s.
Černokostecká 2111, 100 00 Praha 10, Czech Republic
VAT no: CZ26726548

Výrobek je ve shodě s níže uvedenými směrnicemi a nařízeními:

Directive MD 2006/42/EC
Directive EMC 2014/30/EU
Directive RoHS 2011/65/EU

a normami:

EN 62841-1:2015
EN 62841-2-11:2016
EN 55014-1:2017
EN 55014-2:2015



Vydáno v: Praze

Jméno: Ing. Zdeněk Pech
Chairman of the Board

Datum vydání: 15. 6. 2020

Podpis:

FAST[®] FAST ČR, a.s. ⁽²⁾
Černokostecká 1621, 251 01 Říčany
IČO: 26726548 tel.: +420/ 323 204 111
DIČ: CZ26726548 fax: +420/ 323 204 110

Akumulátorová priamočiara píla

NÁVOD NA OBSLUHU

Ďakujeme vám, že ste si zakúpili túto akumulátorová priamočiaru pílu. Skôr, než ju začnete používať, prečítajte si prosím pozorne tento návod na obsluhu a uschovajte ho pre prípad ďalšieho použitia.

OBSAH

1. VŠEOBECNÉ BEZPEČNOSTNÉ PREDPISY	36
2. SYMBOLY	37
3. POPIS STROJA A OBSAH DODÁVKY	38
4. VŠEOBECNÉ BEZPEČNOSTNÉ POKYNY	38
5. ZVLÁŠTNE BEZPEČNOSTNÉ POKYNY	42
6. OCHRANA SLUCHU	43
7. PREVÁDZKA	43
8. STAROSTLIVOSŤ O NÁRADIE	46
9. ZÁRUKA	46
10. TECHNICKÉ ÚDAJE	47
11. LIKVIDÁCIA	48

1. VŠEOBECNÉ BEZPEČNOSTNÉ PREDPISY

⚠ POZOR! Pred použitím si pozorne prečítajte návod na použitie

Dôležité bezpečnostné upozornenia


- ✿ Výrobok starostlivo vybaľte a dajte pozor, aby ste nevyhodili žiadnu časť obalového materiálu skôr, ako nájdete všetky súčasti výrobku.
- ✿ Výrobok uschovávajte na suchom mieste mimo dosahu detí.
- ✿ Čítajte všetky upozornenia a pokyny. Zanedbanie pri dodržovaní varovných upozornení a pokynov môžu mať za následok úraz elektrickým prúdom, požiar a/alebo ťažké poranenia.

Obal

Výrobok je umiestnený v obale brániacom poškodeniu pri transporte. Tento obal je surovinou a je možné ho preto odovzdať na recykláciu.

Návod na použitie

Kým začnete so strojom pracovať, prečítajte si nasledujúce bezpečnostné predpisy a pokyny na používanie. Zoznámte sa s obslužnými prvkami a správnym používaním zariadenia. Návod starostlivo uschovajte pre prípad neskoršej potreby. Minimálne počas záruky odporúčame uschovať originálny obal vrátane vnútorného baliaceho materiálu, pokladničný doklad a záručný list. V prípade prepravy zabaľte stroj späť do originálnej škatule od výrobcu, zaistíte si tak maximálnu ochranu výrobku pri prípadnom transporte (napr. sťahovaní alebo odoslaní do servisného strediska).

-  **Poznámka:** Ak odovzdávate stroj ďalším osobám, odovzdajte ho spoločne s návodom. Dodržiavanie priloženého návodu na obsluhu je predpokladom riadneho používania stroja. Návod na obsluhu obsahuje aj pokyny pre obsluhu, údržbu a opravy.

Výrobca nepreberá zodpovednosť za nehody alebo škody, ktoré vzniknú následkom nedodržovania tohto návodu.

2. SYMBOLY



Tento produkt je vyrobený v súlade so schválenými normami.



Pred použitím stroja si pozorne prečítajte návod na obsluhu.



Použite ochranné pomôcky na oči



Použite ochranné pomôcky na uši

3. POPIS STROJA A OBSAH DODÁVKY

Popis stroja (viď obr. 1)

- 1 - Hlavný vypínač (ZAP / VYP)
- 2 - Regulátor predkyvu
- 3 - Základňa
- 4 - Aretácia vypínača
- 5 - Držiak pílového listu
- 6 - Vodidlo

Obsah dodávky

Stroj vyberte opatrne z obalu a skontrolujte, či sú nasledujúce diely kompletne:

- ✿ Priamočiara píla
- ✿ Pravouhlý držiak vzdialenosti rezu
- ✿ 2ks pílového listu
- ✿ Záručný list
- ✿ Návod na obsluhu

Pokiaľ diely chýbajú alebo sú poškodené, obráťte sa prosím na predajcu, u ktorého ste stroj zakúpili.

4. VŠEOBECNÉ BEZPEČNOSTNÉ POKYNY

Tieto bezpečnostné pokyny si starostlivo preštudujte, zapamätajte a uschovajte.

⚠ Upozornenie! Pri používaní elektrických strojov a elektrického náradia je nutné rešpektovať a dodržiavať nasledujúce bezpečnostné pokyny z dôvodu ochrany pred úrazom elektrickým prúdom, zranením osôb a nebezpečím vzniku požiaru. Výrazom „elektrické náradie“ je vo všetkých nižšie uvedených pokynoch myslené nielen náradie napájané z elektrickej siete (napájacím káblom) ale i náradie napájanie z akumulátoru. (bez napájacieho kábla). Odložte všetky varovania a pokyny pre budúce použitie.

Pracovné prostredie

- ✿ Udržujte pracovný priestor v čistom stave a dobre osvetlený. Neporiadok a tmavé miesta na pracovisku bývajú príčinou úrazov. Odložte náradie, ktoré práve nepoužívate.

- ✿ Nepoužívajte elektrické náradie v prostredí s nebezpečenstvom vzniku požiaru alebo výbuchu, to znamená v miestach, kde sa vyskytujú horľavé kvapaliny, plyny alebo prach. V elektrickom náradí vznikajú iskry, ktoré môžu byť príčinou vznietenia prachu alebo výparov. Zabráňte zvieratám prístup k náradiu.
- ✿ Pri používaní el. náradia zabráňte prístupu nepovoláných osôb do pracovného priestoru, najmä detí. Ak budete vyrušovaní, môžete stratiť kontrolu nad pracovnou činnosťou. V žiadnom prípade nenechávajte el. náradie bez dohľadu.

Elektrická bezpečnosť

- ✿ Vidlica napájacieho kábla elektrického náradia musí zodpovedať sieťovej zásuvke. Nikdy akýmkoľvek spôsobom neupravujte el. prívodný kábel. Náradie, ktoré má na vidlici prívodnej šnúry ochranný kolík, nikdy nepripájajte rozdvojkami alebo inými adaptéromi. Nepoškodené vidlice a zodpovedajúce zásuvky znížia nebezpečenstvo úrazu elektrickým prúdom. Poškodené alebo zamotané prívodné káble zvyšujú nebezpečenstvo úrazu elektrickým prúdom. Ak sa sieťová šnúra poškodí, musí sa nahradiť osobitou sieťovou šnúrou, ktorú možno dostať u výrobcu alebo jeho obchodného zástupcu.
- ✿ Vyvarujte sa dotyku tela s uzemnenými plochami, ako napr. potrubné systémy, telesá ústredného kúrenia, šporáky a chladničky. Nebezpečenstvo úrazu elektrickým prúdom je väčšie, ak je Vaše telo spojené so zemou.
- ✿ Nevystavujte elektrické náradie dažďu, vlhku alebo vode. Elektrického náradia sa nikdy nedotýkajte mokrými rukami. Elektrické náradie nikdy neumývajte pod tečúcou vodou ani ho neponárajte do vody.
- ✿ Nepoužívajte napájací kábel k inému účelu, než pre aký je určený. Nikdy nenoste a neťahajte elektrické náradie za napájací kábel. Nevyťahujte vidlicu zo zásuvky ťahom za kábel. Zabráňte mechanickému poškodeniu elektrických káblov ostrým alebo horúcim predmetom.
- ✿ El. náradie bolo vyrobené výlučne pre napájanie striedavým el. prúdom. Vždy skontrolujte, či el. napätie zodpovedá údaju uvedenému na typovom štítku.
- ✿ Nikdy nepracujte s náradím, ktoré má poškodený el. kábel príp. vidlicu, alebo spadlo na zem a je akýmkoľvek spôsobom poškodené.
- ✿ V prípade použitia predlžovacieho kábla vždy skontrolujte či jeho technické parametre odpovedajú údajom uvedeným na typovom štítku náradia. Ak je elektrické náradie používané vonku, používajte predlžovací kábel vhodný pre vonkajšie použitie. Pri použití predlžovacích bubnov je potrebné ich rozvinúť, aby nedochádzalo k ich prehriatiu.
- ✿ Ak je elektrické náradie používané vo vlhkých priestoroch alebo vonku je povolené používať ho iba ak je zapojené do el. obvodu s prúdovým chráničom ≤ 30 mA. Použitie el. obvodu s chráničom /RCD/ znižuje riziko úrazu elektrickým prúdom.
- ✿ Držte el. ručné náradie výlučne za izolované plochy určené na uchopenie, pretože pri prevádzke môže dôjsť ku kontaktu rezacieho či vrtacieho príslušenstva so skrytým vodičom alebo vlastnou šnúrou.

Bezpečnosť osôb

- ✿ Pri používaní elektrického náradia buďte pozorní a ostražití, venujte maximálnu pozornosť činnosti, ktorú práve prevádzate. Sústreďte sa na prácu. Nepracujte s elektrickým náradím ak ste unavení, alebo ste pod vplyvom drog, alkoholu alebo liekov. Aj chvíľková nepozornosť pri používaní elektrického náradia môže viesť k vážnemu poraneniu osôb. Pri práci s el. náradím nejedzte, nepite a nefajčite.
- ✿ Používajte ochranné pomôcky. Vždy používajte ochranu očí. Používajte ochranné prostriedky odpovedajúce druhu práce, ktorú prevádzate. Ochranné pomôcky ako napr. respirátor, bezpečnostná obuv s protišmykovou úpravou, pokrývka hlavy alebo ochrana sluchu, používané v súlade s podmienkami práce, znižujú riziko poranenia osôb.
- ✿ Vyvarujte sa neúmyselnému zapnutiu el. náradia. Neprenášajte el. náradie, ktoré je pripojené k elektrickej sieti, s prstom na vypínači alebo na spúšti. Pred pripojením k elektrickému napätiu sa uistite, či vypínač alebo spúšť sú v polohe „vypnuté“. Prenášanie el. náradia s prstom na vypínači alebo pripájanie vidlice el. náradia do zásuvky zo zapnutým vypínačom môže byť príčinou vážnych úrazov.
- ✿ Pred zapnutím el. náradia odstráňte všetky nastavovacie kľúče a nástroje. Nastavovací kľúč alebo nástroj, ktorý zostane pripevnený k otáčajúcej sa časti elektrického náradia môže byť príčinou poranenia osôb.
- ✿ Vždy udržiajte stabilný postoj a rovnováhu. Pracujte len tam, kam bezpečne dosiahnete. Nikdy nepreceňujte vlastnú silu. Nepoužívajte elektrické náradie, ak ste unavení.
- ✿ Obliekajte sa vhodným spôsobom. Používajte pracovné oblečenie. Nenoste voľné oblečenie ani šperky. Dbajte na to, aby sa vaše vlasy, oblečenie, rukavice alebo iná časť Vášho tela nedostala do prílišnej blízkosti rotujúcich alebo rozpálených častí el. náradia.
- ✿ Pripojte el. náradie k odsávaniu prachu. Ak má el. náradie možnosť pripojenia zariadenia na zachytávanie alebo odsávanie prachu, uistite sa, že došlo k jeho riadnemu pripojeniu a používaniu. Použitie takýchto zariadení môže obmedziť nebezpečenstvo vznikajúce prachom.
- ✿ Pevne upevnite obrobok. Použite stolársku svorku alebo zverák pre upevnenie obrobku, ktorý budete obrábať.
- ✿ Nepoužívajte akékoľvek náradie ak ste pod vplyvom alkoholu, drog, liekov alebo inýchomamných či návykových látok.
- ✿ Toto zariadenie nie je určené na použitie osobami (vrátane detí) so zníženými fyzickými, zmyslovými alebo mentálnymi schopnosťami alebo s nedostatkom skúseností a znalostí, pokiaľ nie sú pod dozorom alebo nedostali pokyny ohľadom použitia zariadenia od osoby zodpovednej za ich bezpečnosť. Deti musia byť pod dozorom, aby ste sa uistili, že sa nehrajú so zariadením.

Používanie a starostlivosť o elektrické náradie.

- ✿ El. náradie vždy odpojte od el. siete v prípade akéhokoľvek problému pri práci, pred každým čistením alebo údržbou, pri každom presune a pri ukončení činnosti! Nikdy nepracujte s el. náradím, ak je akýmkoľvek spôsobom poškodené.

- ✿ Ak začne náradie vydávať abnormálny zvuk alebo zápach, okamžite ukončíte prácu.
- ✿ Elektrické náradie nepreťažujte. Elektrické náradie bude pracovať lepšie a bezpečnejšie, ak s ním budete pracovať v otáčkach, pre ktoré bolo navrhnuté. Používajte správne náradie, ktoré je určené pre danú činnosť. Vhodné náradie bude dobre a bezpečne vykonávať prácu, pre ktorú bolo vyrobené.
- ✿ Nepoužívajte elektrické náradie, ktoré nemožno bezpečne zapnúť a vypnúť ovládacím vypínačom. Používanie takého náradia je nebezpečné. Vadný vypínač musí byť opravený certifikovaným servisom.
- ✿ Odpojte náradie od elektrickej siete predtým, než začnete prevádzať jeho nastavenie, výmenu príslušenstva alebo údržbu. Toto opatrenie obmedzí nebezpečenstvo náhodného spustenia.
- ✿ Nepoužívané elektrické náradie uschovajte tak, aby bolo mimo dosahu detí a nepovolaných osôb. Elektrické náradie v rukách neskúsených užívateľov môže byť nebezpečné. Elektrické náradie skladujte na suchom a bezpečnom mieste.
- ✿ Starostlivo udržiavajte elektrické náradie v dobrom stave. Pravidelne kontrolujte nastavenie pohybujúcich sa častí a ich pohyblivosť. Kontrolujte či nedošlo k poškodeniu ochranných krytov alebo iných častí, ktoré môžu ohroziť bezpečnú funkciu elektrického náradia. Ak je náradie poškodené, pred ďalším použitím zaistíte jeho opravu. Mnoho úrazov je spôsobené nesprávnou údržbou elektrického náradia.
- ✿ Rezacie nástroje udržiavajte ostré a čisté. Správne udržiavané a naoštrené nástroje uľahčujú prácu, obmedzujú nebezpečenstvo úrazu a práca s nimi sa lepšie kontroluje. Použitie iného príslušenstva než toho, ktoré je uvedené v návode na obsluhu alebo doporučené dovozcom môže spôsobiť poškodenie náradia a byť príčinou úrazu.
- ✿ Elektrické náradie, príslušenstvo, pracovné nástroje atď. používajte v súlade s týmito pokynmi a takým spôsobom, ktorý je predpísaný pre konkrétne elektrické náradie a to s ohľadom na dané podmienky práce a druh prevádzkanej práce. Používanie náradia na iné účely, než pre aké je určené, môže viesť k nebezpečným situáciám.

Používanie akumulátorového náradia

- ✿ Pred vložením akumulátoru sa uistite, že je vypínač v polohe „0-vypnuté“. Vloženie akumulátoru do zapnutého náradia môže byť príčinou nebezpečných situácií.
- ✿ K nabíjaniu akumulátora používajte len nabíjačky predpísané výrobcom. Použitie nabíjačky pre iný typ akumulátoru môže mať za následok jeho poškodenie a vznik požiaru.
- ✿ Používajte iba akumulátory určené pre dané náradie. Použitie iných akumulátorov môže byť príčinou úrazu alebo vzniku požiaru.
- ✿ Ak nie je akumulátor používaný, uschovávajú ho oddelene od kovových predmetov ako sú svorky, kľúče, skrutky a iné drobné kovové predmety, ktoré by mohli spôsobiť spojenie jedného kontaktu akumulátoru s druhým. Vyskratovanie akumulátoru môže zapríčiniť úraz, popáleniny alebo vznik požiaru.

- ☼ S akumulátormi zaobchádzajte šetrne. Pri nešetrnom zaobchádzaní môže z akumulátoru uniknúť chemická látka. Vyvarujte sa kontaktu s ňou. Ak predsa dôjde ku kontaktu s touto chemickou látkou, vymyte postihnuté miesto prúdom tečúcej vody. Ak sa chemická látka dostane do očí, vyhľadajte ihneď lekársku pomoc. Chemická látka z akumulátoru môže spôsobiť vážne poranenie.

Servis

- ☼ Nevymieňajte časti náradia, neprevádzajte sami opravy, ani iným spôsobom nezasahujte do konštrukcie náradia. Opravy náradia zverte kvalifikovaným osobám.
- ☼ Každá oprava alebo úprava výrobku bez oprávnenia našej spoločnosti je neprípustná (môže spôsobiť úraz, alebo škodu užívateľovi).
- ☼ Elektrické náradie vždy nechajte opraviť v certifikovanom servisnom stredisku. Používajte iba originálne alebo doporučené náhradné diely. Zaisťíte tak bezpečnosť Vás i Vášho náradia.

5. ZVLÁŠTNE BEZPEČNOSTNÉ POKYNY

⚠ POZOR! Pred použitím si prosím pozorne prečítajte tieto bezpečnostné pokyny a starostlivo ich uschovajte.

- ☼ Uistite sa, že napäťová hladina napájacej siete zodpovedá údajom na typovom štítku náradia. Píla je vybavená dvojpólovým káblom a zástrčkou!
- ☼ Pri práci používajte ochranné okuliare a v prípade tvorby prachu pri rezaní alebo vrtaní aj respirátor. Pri dlhšej práci s náradím alebo pri veľkej hlučnosti používajte vhodnú ochranu sluchu.
- ☼ Ak je píla vybavená prípojkami na vysávač alebo zberač prachu, potom tieto zariadenia pri prevádzke píly skutočne používajte. Vrečko vo vysávači alebo zberači pravidelne vymieňajte.
- ☼ Obrábaný kus si pred začatím práce upevnite do zveráka alebo čelustí. Tento postup je bezpečnejší, než keď budete obrobok iba pridržovať rukou, a navyše budete mať obe ruky voľné na ovládanie náradia.
- ☼ Napájací kábel náradia uložte pri práci tak, aby sa o neho nedalo zakopnúť, šliapnúť na neho alebo položiť na neho ťažké bremeno. Uistite sa, že počas práce nedôjde k poškodeniu kábla.
- ☼ V prípade nedodržania pokynov uvedených v tejto príručke, hrozí riziko úrazu.
- ☼ Priamočiaru pílu zodpovedá platným technickým predpisom a normám.
- ☼ Pri práci s priamočiarou pílou musí byť ochranný kryt vždy zasunutý dole.
- ☼ Pravidelne kontrolujte obe skrutky na držiaku pílového listu.
- ☼ Nepoužívajte poškodené alebo opotrebované pílové listy.
- ☼ Pravidelne kontrolujte nastavenie vodiace kladky.
- ☼ Nespúšťajte pílu, ak je pílový list zasunutý v obrobku.
- ☼ Nikdy nepreťažujte pílu natolik, aby sa motor zastavil.
- ☼ Nikdy sa nesnažte zastaviť pohyb pílového listu, ani keď je motor už vypnutý.

- ✿ Pílový list sa sám veľmi rýchlo vysunie. Zuby listu sú veľmi ostré.
- ✿ Pílou nikdy nemierite na iné osoby.
- ✿ Používajte ochranné prostriedky proti hluku, prachu a vibráciám!!!

⚠ **POZOR!** Tieto bezpečnostné pokyny uschovajte!!!

6. OCHRANA SLUCHU

⚠ **POZOR!** V prípade, že hodnota akustického tlaku prekročí 85,0 dB (A), použite vhodnú ochranu sluchu. Zabráňte tak poškodeniu svojho sluchu!

7. PREVÁDZKA

Práca s priamočiarou pílou

⚠ **POZOR!** Píla je určená výhradne pre domáce alebo hobby použitie. Výrobca a dovozca neodporúčajú používať toto náradie v extrémnych podmienkach a pri vysokom zaťažení. Akékoľvek ďalšie doplňujúce požiadavky musia byť predmetom dohody medzi výrobcom a odberateľom

- ✿ Jedná sa priamočiaru pílu s predkyvom a elektronickou reguláciou otáčok. Reguláciou otáčok a trojstupňovou reguláciou predkyvu dosiahnete vynikajúci rezný výkon a optimálnu reznú krivku s minimálnym opotrebením pílového listu. Pred prvým použitím náradia si pozorne prečítajte návod a zoznámte sa s jednotlivými funkciami stroja.
- ✿ Uistite sa, že v pracovnej oblasti nie sú žiadne prekážky, najmä na zadnej strane rezaného objektu. Ak pílu ovládate jednou rukou pracujte veľmi opatrne a voľnú ruku majte vždy mimo oblasť rezania.

📖 **Poznámka:** Pred nastavovaním náradia alebo výmenou príslušenstva VŽDY odpojte zariadenie od napájania (vytiahnite vidlicu napájacieho kábla zo zásuvky). Zabráňte tým náhodnému spusteniu stroja pri manipulácii.

Výmena pílového listu

⚠ POZOR! Vypnite pílu a vytiahnite zástrčku napájacieho kábla zo zásuvky.

- ✿ Typ pílového listu vyberte podľa materiálu, ktorý sa chystáte rezať.
- ✿ Odklopte plastový transparentný kryt, otočte rýchlopínacie skľučovadlo smerom doprava, vsuňte list (zuby k sebe) až na doraz a rýchlopínacie skľučovadlo povoľte.
- ✿ Zasuňte list do držiaka, zuby musia smerovať vpred a plochá zadná hrana musí byť zasunutá do vodiaceho valčeka.
- ✿ Zaklopte späť ochranný plastový transparentný kryt.
- ✿ Skontrolujte správnu polohu listu vo vodiacom valčeku a pevné uchytenie listu v držiaku.

Odsávanie prachu

Do prípojky na odsávanie prachu v zadnej časti stroja zasuňte hubicu a pohybom proti smeru hodinových ručičiek ju utiahnite. Pohybom po smere hodinových ručičiek hubicu zase povoľíte. Na hubicu pripojte hadicu bežného vysávača, ktorý bude počas rezania odsávať prach a piliny. Vždy používajte respirátor, aj keď používate systém odsávania prachu.

Nastavenie predkyvu

- ✿ Kyvný zdvih nastavíme pomocou regulátora umiestneného pri pílovom liste na ľavej strane priamočiarej píly.
- ✿ Máte možnosť nastaviť štyri stupne predkyvu: 0, 1, 2 a 3.
- ✿ Odporúčané nastavenie predkyvu na rezanie jednotlivých druhov materiálov:

Plech	0
Oceľ	0
Drevotrieska	2-3
Hliník	0
Plasty	1-2
Drevo	2-3

Uhlové rezanie

- ✿ Upravením základne budete môcť vykonávať rezy pod rôznym uhlom.
- ✿ Pred nastavením základne sa uistite, že je píla odpojená od napájania.
- ✿ Na nastavenie základne povoľte šesťhranným kľúčom šesťhrannú skrutku na spodnej strane píly.

- ✿ Posuňte základňu smerom vpred a nakloňte ju do požadovaného uhla (polohy: 15°, 30°, 45°).
- ✿ Šesťhranným kľúčom opäť dotiahnite šesťhrannú skrutku.
- ✿ Pri rezaní postupujte rovnako, ako by ste rezali priamy rez. Základňu píly pevne pridržiavajte vodorovne s obrobkom.

Priame rezanie

- ✿ Uistite sa, že rezaný diel je pevne uchytený vo zveráku alebo na pracovnom stole.
- ✿ Na rezaný kus si narysujte linku, kadiaľ povediete rez.
- ✿ Spustíte pílu a položte prednú časť základne na rezaný diel.
- ✿ Umiestnite pílový rez do vyznačeného bodu rezu.
- ✿ Pomaly pílou pohybujte smerom vpred po vyznačenej linke rezu. Zároveň pílu tlačte smerom nadol, aby nedošlo k zaseknutiu alebo zlomeniu pílového listu.
- ✿ Nechajte pílu pracovať svojím vlastným tempom, aby list mohol voľne prechádzať rezaným materiálom - nikdy na pílu netlačte a nepreťažujte ju. Zvýšeným tlakom proces rezania nijako neurýchlite.
- ✿ Zvoľte vhodný pílový list podľa rezaného materiálu, jeho povrchovej úpravy a hrúbky a podľa typu rezania. Väčšie zuby vykonajú rýchle, hrubé rezy, kým povrch rezu s plátkom s jemnými zubami už bude v konečnej povrchovej úprave.
- ✿ Pri rezaní tenkých dosiek na rezaný kus položte drevenú dosku, ktorá bude absorbovať vibrácie.

Hlavný vypínač (ZAP/VYP)

- ✿ Hlavný vypínač (1) je umiestnený na rukoväti píly.
- ✿ Stlačením vypínača pílu spustíte.
- ✿ Hlavný vypínač môžete v danej polohe aretovať tlačidlom umiestneným na boku rukoväte.
- ✿ Aretáciu zrušíte stlačením hlavného vypínača. Pred zapojením zástrčky napájacieho kábla do zásuvky sa vždy uistite, že je hlavný vypínač v polohe VYP. V prípade, že náradie nepoužívate, ho vždy odpojte do napájania.

Čistenie a skladovanie

⚠ POZOR! Pri vykonávaní údržby a čistení sa vždy uistite, že je stroj odpojený od napájania. Odpojte pílu od napájania. Pílu čistite jemným saponátovým roztokom a vlhkou handričkou. Pozor, mnoho bežných domácich čističov obsahuje agresívne chemické látky, ktoré by mohli poškodiť plastové diely náradia. Nepoužívajte ani benzín, terpentín, riedidlá na náterové hmoty a pod. Dávajte pozor, aby čistič ani voda nevnikli do vnútorného priestoru náradia. Zabráňte ponoreniu akejkoľvek časti náradia do vody.

- ✿ Vodou ani saponátovými roztokmi nečistite elektrické prvky stroja.
- ✿ Po každom použití pílu utrite handričkou.
- ✿ Skontrolujte, či sú ventilačné otvory píly voľné a bez prachu, zabránite tým prehriatiu stroja.
- ✿ Pravidelne kontrolujte uhlíky (zanesené alebo opotrebované uhlíky spôsobujú nadmernú tvorbu iskier a znižujú výkon náradia).
- ✿ Uhlíky vždy vymeňte v pároch.

8. STAROSTLIVOSŤ O NÁRADIE

Preťaženie

Pri rezaní na pílu nikdy nadmerne netlačte. Nadmerný tlak znižuje otáčky náradia a výkon píly je veľmi obmedzený. Nadmerný tlak môže spôsobiť preťaženie stroja a následné poškodenie motora. Ak sa píla nadmerne zahreje, nechajte ju bežať cca 2 minúty naprázdno, a potom prácu na krátky čas prerušte. Pílu čistite čistou handričkou a kefkou. Ventilačné otvory udržiajte čisté a bez prachu.

9. ZÁRUKA

Záručný list je platný len spolu s dokladom o zakúpení. Oba doklady uchovávajte na bezpečnom mieste. V prípade uplatnenia záruky alebo požiadavky na opravu sa obráťte na svojho predajcu alebo na servisné stredisko. Záruka sa vzťahuje na všetky chyby a poruchy výrobku, ku ktorým došlo počas záručnej lehoty preukázateľne vinou výrobných chyby alebo kazu materiálu. V takom prípade bude výrobok opravený a/alebo znovu nastavený. Záruka sa nevzťahuje na bežné opotrebenie výrobku, na kazy vzniknuté preťažením, použitím nevhodného príslušenstva alebo nesprávnou prevádzkou výrobku.

10. TECHNICKÉ ÚDAJE

Menovité napätie.....	20V DC
Otáčky	2 400 ot./min
Hĺbka rezu do dreva	51 mm
Hĺbka rezu do oceli	4 mm
Stupne kyvného zdvihu	0, I, II, III
Stupne na uhlové rezanie	0°-45°
Akustický tlak.....	77,8dB(A) K = 5dB(A)
Akustický výkon.....	88,8 dB(A) K = 5dB(A)
Vibrácie.....	$a_{hB} = 7,79 \text{ m/s}^2$ K = 1,5 m/s^2 $a_{hM} = 8,60 \text{ m/s}^2$ K = 1,5 m/s^2

Návod na použitie – len jazyková mutácia.

Zmena textu a technických parametrov vyhradená.

Zmeny v texte, dizajne a technických špecifikáciách sa môžu meniť bez predchádzajúceho upozornenia a vyhradujeme si právo na ich zmenu.

Riešenie problémov

1. Vypínač je stlačený, ale zariadenie nepracuje: Aby akumulátorová zariadenie pracovalo, potrebuje dostatočne nabitú batériu. Ak zariadenie dlhšiu dobu nepoužívate, batéria sa vyčerpáva. Pokúste sa dobiť batériu. Presvedčte sa, že batéria je v nabíjačke umiestnená správne. Počas nabíjania sa adaptér zohreje, ale je to normálne.
2. Batéria tečie: Pri extrémnych teplotách, alebo pri namáhaní sa môže vyskytnúť malé presakovanie. Ak ste sa ho dotkli, okamžite si ho z rúk, pokožky alebo oblečenia umyte mydlom a vodou.
3. Batéria sa nenabíja a svetlo na nabíjačke nesvieti: Ak sa batéria nenabíja, skontrolujte, či je správne vložená v nabíjačke a presvedčte sa, že kontrolka svieti. Ak nie, skontrolujte, či zástrčka nabíjačky je správne vložená v jednotke. Ak áno, skontrolujte, či je zástrčka pripojená k zásuvke. Ak áno, skontrolujte poistku zásuvky.
4. Teleso zariadenie sa počas rozsiahleho použitia zohreje: Pri normálnom zaťažení sa teleso, vypínač a batéria zohrejú, pretože energia spotrebovaná pri použití zariadenia produkuje teplo. Je to normálne. Zariadenie nechajte jednoducho na niekoľko minút vychladnúť.
5. Batéria sa pri použití zohreje: Energia uvoľnená z batérie vytvára teplo. Nepoškodíte batériu a teplo z uvoľnenej energie je normálne. Ak ju chcete schlaďiť, nechajte jednoducho zariadenie pred pokračovaním v práci schlaďiť.
6. Batéria sa pri nabíjaní zohreje: Je to normálne a vyplýva to z chemických reakcií prebiehajúcich vo vnútri batérie počas procesu nabíjania.
7. Počas nabíjania sa nabíjacie zariadenie zohreje: Je to normálne a vyplýva to zo zníženia napätia z 230 V na 18 V.

11. LIKVIDACE

POKYNY A INFORMÁCIE O ZAOBCHÁDZANÍ S POUŽITÝM OBALOM

Použitý obalový materiál odložte na miesto určené obcou na ukladanie odpadu.

LIKVIDÁCIA POUŽITÝCH ELEKTRICKÝCH A ELEKTRONICKÝCH ZARIADENÍ



Tento symbol na produktoch alebo v sprievodných dokumentoch znamená, že použité elektrické a elektronické výrobky sa nesmú pridávať do bežného komunálneho odpadu. Na správnu likvidáciu, obnovu a recykláciu odovzdajte tieto výrobky na určené zberné miesta. V niektorých krajinách Európskej únie alebo iných európskych krajinách môžete vrátiť svoje výrobky miestnemu predajcovi pri kúpe ekvivalentného nového produktu. Správnou likvidáciou tohto produktu pomôžete zachovať cenné prírodné zdroje a napomáhate prevencii potenciálnych negatívnych dopadov na životné prostredie a ľudské zdravie, čo by mohlo byť dôsledkom nesprávnej likvidácie odpadov. Ďalšie podrobnosti si vyžiadajte od miestneho úradu alebo najbližšieho zberného miesta. Pri nesprávnej likvidácii tohto druhu odpadu môžu byť v súlade s národnými predpismi udelené pokuty.

Pre podnikové subjekty v krajinách Európskej únie

Ak chcete likvidovať elektrické a elektronické zariadenia, vyžiadajte si potrebné informácie od svojho predajcu alebo dodávateľa.

Likvidácia v ostatných krajinách mimo Európskej únie

Tento symbol je platný v Európskej únii. Ak chcete tento výrobok zlikvidovať, vyžiadajte si potrebné informácie o správnom spôsobe likvidácie od miestnych úradov alebo od svojho predajcu



Tento výrobok spĺňa všetky základné požiadavky smerníc EÚ, ktoré sa naň vzťahujú.

Zmeny v texte, dizajne a technických špecifikáciách sa môžu meniť bez predchádzajúceho upozornenia a vyhradujeme si právo na ich zmenu.

EU VYHLASENIE O ZHODE

Produkt / značka: Akumulátorová priamočiara píla/ **FIELDMANN**

Type / model: **FDUP 50401-0** ako výrobný model HL-JS07Li-1200S
DC 20 V, rýchlosť 2400/m⁻¹, Trieda III, IPX0
nameraná hladina akustického výkonu: L_{PA}= 77,8 dB(A)
garantovaná hladina akustického výkonu: L_{WA}= 88,8 dB(A)

Výrobca: FAST ČR, a.s.
Černokostecká 2111, 100 00 Praha 10, Czech Republic
VAT no: CZ26726548

Výrobok je ve zhode s níže uvedenými smernicami a nariadeniami:

Directive MD 2006/42/EC
Directive EMC 2014/30/EU
Directive RoHS 2011/65/EU

a normami:

EN 62841-1:2015
EN 62841-2-11:2016
EN 55014-1:2017
EN 55014-2:2015



Vydáno v: Praha

Meno: Ing. Zdeněk Pech
Chairman of the Board

Dátum vydanie: 15. 6. 2020

Podpis:

FAST® FAST ČR, a.s. 
Černokostecká 1621, 251 01 Říčany
IČO: 26726548 tel.: +420/ 323 204 111
DIČ: CZ26726548 fax: +420/ 323 204 110

Akkumulátotos szűrőfűrész

HASZNÁLATI ÚTMUTATÓ

Köszönjük, hogy cégünk akkumulátotos szűrőfűrészének megvásárlása mellett döntött. Mielőtt használatba venné, kérjük, olvassa el figyelmesen ezt a használati útmutatót, majd őrizze meg, hogy később bármikor újraolvashassa.

TARTALOM

1. ÁLTALÁNOS BIZTONSÁGI RENDELKEZÉSEK	51
2. SZIMBÓLUMOK	53
3. A GÉP BEMUTATÁSA ÉS A CSOMAGOLÁS TARTALMA	54
4. ÁLTALÁNOS BIZTONSÁGI UTASÍTÁSOK	54
5. KÜLÖNLEGES MUNKAVÉDELMI SZABÁLYOK	58
6. HALLÁSVÉDELEM	59
7. A SZŪRŐFŰRÉSZ HASZNÁLATA	59
8. KARBANTARTÁS	63
9. JÓTÁLLÁS.....	63
10. MŰSZAKI ADATOK	64
11. MEGSEMMISÍTÉS	65

1. ÁLTALÁNOS BIZTONSÁGI ELŐÍRÁSOK

⚠ FIGYELEM! Használat előtt olvassa el figyelmesen a használati útmutatót.

Fontos biztonsági figyelmeztetések

- ☼ Figyelmesen csomagolja ki a terméket, és ügyeljen arra, hogy ne dobja ki a csomagolás semelyik részét mindaddig, amíg meg nem találta a termék valamennyi alkotóelemét.
- ☼ A terméket száraz helyen, gyermekektől távol tartsa.
- ☼ Olvassa el az összes figyelmeztetést és utasítást. A figyelmeztetések be nem tartás áramütéshez, tűzhez és/vagy súlyos sérülésekhez vezethet.

Csomagolás

A csomagolóanyag szállítás közben óvja a terméket. Ez a csomagolás nyersanyag, ezért újrahasznosítás céljával leadható.

Használati útmutató

Mielőtt megkezdene a munkavégzést a készülékkel, olvassa el figyelmesen a következő biztonsági és használati utasításokat. Ismerkedjen meg a gép kezelőszerveivel, és a helyes használat szabályaival. A használati útmutató őrizze meg egy esetleges későbbi újraolvasáshoz. A csomagolóanyagot, beleértve a belső csomagolóanyagot, a pénztárblokkot és a jótállási jegyet is, ajánlott legalább a jótállás érvényessége alatt megőrizni. Szállítás esetén csomagolja vissza a készüléket a gyártótól kapott eredeti dobozba, így biztosíthatja a termék esetleges szállítás közbeni maximális védelmét (pl. költözés vagy szervizbe küldés).

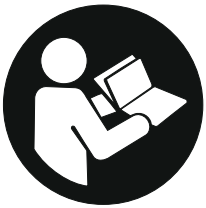
📖 Megjegyzés: Amennyiben a készüléket más személyeknek kívánja átadni, mellékelje a használati útmutatót is. A mellékelt használati útmutató betartása a sövénynyíró előírásszerű használatának előfeltétele. A használati útmutató egyben használati, kezelési és javítási utasításokat is tartalmaz.

A gyártó nem felel a jelen használati útmutató be nem tartása következtében felmerült sérülésekért vagy károkért.

2. SZIMBÓLUMOK



A gép a jóváhagyott szabványokkal összhangban került legyártásra.



A gép használatba vétele előtt olvassa el a használati útmutatót.



Használjon védőfelszerelést szem



Használjunk védőfelszerelést fül

3. A GÉP BEMUTATÁSA ÉS A CSOMAGOLÁS TARTALMA

A gép bemutatása (lásd az 1. képet)

- 1 - Kapcsoló (KI/BE)
- 2 - Ingázás
- 3 - Fűrésztalp
- 4 - Rögzítő gomb
- 5 - Fűrészlap tartó
- 6 - Párhuzamütköző

A csomagolás tartalma

Emelje ki óvatosan a gépet a csomagolásból, és ellenőrizze le, hogy az alább ismertetett részek mindegyike megtalálható benne:

- ✿ Szűrőfűrész
- ✿ Derékszögű vágás távtartó
- ✿ 2 db fűrészlap
- ✿ Jótállási jegy
- ✿ Használati útmutató

Abban az esetben, ha bizonyos részek hiányoznak, vagy sérültek, forduljon a gép eladójához.

4. ÁLTALÁNOS BIZTONSÁGI UTASÍTÁSOK

A következő biztonsági utasításokat figyelmesen olvassa el, jegyezze meg és őrizze meg.

⚠ Figyelmeztetés! Az elektromos gépek és szerszámok használata esetén fontos respektálni és betartani a következő biztonsági utasításokat az elektromos áram által okozott balesetek, személyi sérülések és a tűz keletkezése veszélyének meggátolásának szempontjából. Az „elektromos szerszámok” kifelyezés magába foglalja nemcsak az elektromos áram által táplált (kábelen keresztül), de az akumlátorból táplált szerszámokat is (kábel nélkül). Őrizze meg a figyelmeztetéseket és utasításokat a jövőbeni használathoz.

Munkavégzési terület

- ✿ A munkavégzési területet tartsa tisztán és jól megvilágítva. A rendetlenség és a nem megfelelő megvilágítás gyakran a balesetek okozói. Rakja el a szerszámokat, amelyeket éppen nem használ.

- ✿ Ne használjon elektromos szerszámokat olyan környezetben, ahol tűz vagy robbanásveszély állhat fenn, tehát olyan helyeken, ahol gyúlékony folyadékok, gázok vagy porok találhatóak. Az elektromos szerszámokban szikrák keletkeznek, melyek előidézhetik a porok és gőzök gyulladását. Gondoskodjon arról, hogy az állatok ne férjenek hozzá a szerszámhoz.
- ✿ Az elektromos szerszámok használatakor akadályozzák meg az illetéktelen személyek, főleg a gyerekek bejárását a munkavégzési területre. Ha zavarva vannak a munka közben, elveszthetik a kontrollt a munkatevékenység felett. Semmi esetre se hagyja az elektromos szerszámokat felügyelet nélkül.

Biztonsági utasítások elektr. árammal való munkavégzéskor

- ✿ Az elektromos szerszám kábelének hálózati csatlakozójának meg kell felelnie az aljzattal. Soha semmilyen körülmények között ne hajtsanak végre módosításokat az elektromos kábelen. Olyan szerszámra, amely elektromos csatlakozója védőérintkezővel van ellátva, soha ne használjunk elosztót, sem egyéb adaptert.. A sértetlen hálózati csatlakozók és a megfelelő aljzatok csökkentik az elektromos áram által okozott sérülés veszélyét. A sérült vagy öszegubancolt kábelek növelik az elektromos áram által okozott sérülések veszélyét. Abban az esetben, ha a hálózati kábel megsérül, ezt cseréljük speciális hálózati kábelre, amelyet a gyártónál, illetve ennek üzleti képviselőjénél szerezhet be.
- ✿ Óvakodjanak a testrészek érintkezéséről a földelt területtel, például a csővezetékek, központi fűtőtestek, gáztűzhelyek és hűtőszekrények esetében. Az elektromos áram által okozott sérülések veszélye nagyobb, ha az Ön teste érintkezésben áll a földdel.
- ✿ Az elektromos szerszámokat ne tegye ki az eső, pára és víz hatásainak. Az elektromos szerszámokhoz sose nyúljunk vizes kézzel. Sose mossa folyóvíz alatt vagy ne mártsa be víz alá az elektromos szerszámokat.
- ✿ Sose használja az elektromos kábelt más célokra, mint ami a rendeltetése. Soha ne húzzák vagy hordozzák az elektromos szerszámokat az elektromos kábelük által. Sose a kábelon keresztül húzzák ki az elektromos szerszám hálózati csatlakozóját az aljzatból. A csatlakozódugót ne húzzuk a kábelnél fogva. Ügyeljünk, hogy az elektromos csatlakozókábelt ne sértsük meg éles, sem forró tárgyal.
- ✿ Az elektromos szerszámok kizárólag váltóárammal való működésre voltak kigyártva. Mindig ellenőrizze le, hogy a hálózati feszültség megfelel-e a szerszámon levő címkén feltüntetett adatokkal.
- ✿ Sose dolgozzunk olyan szerszámmal amelynek sérült az elektromos kábele, vagy a hálózati csatlakozója, netán leesett vagy másképpen van megsérülve.
- ✿ Hosszabbító kábel használata esetén mindig ellenőrizze, hogy annak műszaki paraméterei megfelelnek-e a szerszám ismertető címkéjén feltüntetett adatoknak. Amennyiben az elektromos szerszámot a szabadban használja, alkalmazzon olyan hosszabbító kábelt, amely alkalmas a szabadban való használatra. Hosszabbító dobok használata esetén tekerje le azokat, hogy megelőzze azok túlmelegedését.
- ✿ Amennyiben az elektromos szerszámot nedves környezetben vagy a szabadban használja, csak akkor szabad használni azt, ha az 30 mA-es túláramvédelemmel ellátott áramkörbe van

bekötve. /RCD/ védelemmel ellátott áramkör használata csökkenti az áramütés veszélyét.

- ✿ Az elektromos kézi szerszámot kizárólag a megmarkolásra kialakított szigetelt felületeken tartsa, mivel működés közben a vágó- vagy fúrószerszám rejtett vezetékkel vagy saját kábelével érintkezhet.

Személyek biztonsága

- ✿ Az elektromos szerszámok használatakor legyenek figyelmesek, maximálisan figyeljenek oda a végzett tevékenységre, amit éppen végrehajtanak. Öszpontosítsanak a munkára. Sose dolgozzanak elektromos szerszámokkal ha fáradtak, kábítószer, alkohol vagy gyógyszerek hatása alatt vannak. Egy pillanatnyi figyelmetlenség az elektromos szerszámok használatakor komoly sérüléseket is okozhat. Az elektromos szerszámok használata közben ne egyenek, ne igyanak és ne dohányozzanak.
- ✿ Használjanak munkavédelmi eszközöket. Mindig használjanak szemvédőt. Használjon olyan munkavédelmi eszközöket amelyek megfelelnek az adott munkának. A munkavédelmi eszközök, mint pl. a respirátor, biztonsági lábbeli csúszásgátló talpazattal, fejtámla vagy hallásvédő, a munkafeltételekhez való alkalmazáshoz csökkentik a személyek sérülésének veszélyét.
- ✿ Óvakodjanak a nem szándékos elektromos szerszámok beindításától. Ne helyezzenek át szerszámot úgy, hogy feszültség alatt van és melynek be-, kikapcsolóján rajtatartják az ujjukat. A hálózatba való kapcsolás előtt győződjenek meg arról, hogy a be-, kikapcsoló a „kikapcsolt” helyzetben van. A szerszámok áthelyezése vagy hálózati aljzatba való helyezése melyeknek be-, kikapcsolóján rajtatartják az ujjukat, vagy a be-, kikapcsolójuk a „bekapcsolt” helyzetben van a balesetek okozójává válhat.
- ✿ A szerszámok bekapcsolása előtt távolítsa el az összes beállítókulcsot és eszközöket.
- ✿ Mindíg egyensúlyban és stabil állásban dolgozzon. Csak ott dolgozzon, ahova biztosan elér. Sose becsülje túl az erejét és saját képességeit. Ha fáradt, ne használja az elektromos szerszámokat.
- ✿ Öltözködjön megfelelő módon. Használjon munkaruhát. Munkavégzéskor ne hordjon bő öltözetet és ékszereket. Ügyeljen arra, hogy az Ön haja, ruhája, kesztyűje vagy más testrésze ne kerüljön közvetlen közelbe az elektromos szerszámok rotációs vagy felforrósodott részeihez.
- ✿ Kapcsolja az elektromos berendezést a porelszívóhoz. Ha a berendezés rendelkezik porelszívó vagy porfelfogó csatlakozóval, győződjenek meg arról hogy a porelszívó berendezés megfelelően van-e csatlakoztatva, ill. használva. Az ilyen berendezések használata meggátolhatja a por által keletkezett veszélyt.
- ✿ A munkadarabot erősen rögzítse. A megmunkálandó munkadarab rögzítse használjon asztalos szorítót vagy satut.
- ✿ Ne használjon semmilyen szerszámot, ha alkohol, drog, gyógyszer vagy más kábító-, függőséget okozó anyagok hatása alatt áll.

- ✿ A berendezést nem kezelhetik olyan személyek (gyerekeket is beleértve), akik csökkentett testi, értelmi vagy mentális képességekkel rendelkeznek, vagy akiknek nincs megfelelő tapasztalatuk és vonatkozó tudásuk, csak abban az esetben, ha a megfelelő felügyelet biztosított, illetve a berendezés működtetéséhez megkapták a szükséges utasításokat a biztonságukért felelős személytől. A gyerekeknek felügyelet alatt kell lenniük, hogy a berendezéssel ne játszassanak.

Az elektromos szerszámok használata és karbantartása:

- ✿ Az elektromos szerszámot bármilyen munkában előfordult probléma, tisztítás vagy karbantartás, tisztítás vagy karbantartás előtt, ill. minden áthelyezés esetén vagy használaton kívül mindig kapcsolja le az elektromos hálózatról! Soha ne dolgozzon az elektromos szerszámmal, ha bármilyen módon megsérült.
- ✿ Ha a szerszám furcsa hangot vagy bűzt bocsát ki, azonnal fejezze be a munkát.
- ✿ Ne terhelje túl az elektromos szerszámot. Az elektromos szerszám jobban és biztonságosabban fog dolgozni, ha olyan fordulatszámra van vele dolgozva amelyre tervezték. Az adott munkára a megfelelő szerszámot használja. A megfelelő szerszám jól és biztonságosan fog dolgozni abban a munkában amire gyártották.
- ✿ Ne használjon elektromos szerszámot, amelyet nem lehet biztonságosan be- és kikapcsolni a be-, kikapcsolóval. Az ilyen szerszám használata veszélyes. A hibás kapcsolót meg kell javítani az arra szakosodott szervizben.
- ✿ Az elektromos szerszámot kapcsolja le a hálózatról még mielőtt módosítaná a beállításait, tartozékainak cseréjével vagy karbantartásával. Ez az intézkedés korlátozza a véletlenszerű beindítás veszélyét.
- ✿ A használaton kívüli elektromos szerszámot tárolja olyan helyen, amihez nem tudnak hozzáférni sem gyerekek, sem illetéktelen személyek. Az elektromos szerszámok a tapasztalatlan felhasználók kezében veszélyesek lehetnek. Az elektromos szerszámokat száraz és biztonságos helyen tárolja.
- ✿ Az elektromos szerszámokat tartsa jó állapotban. Rendszeresen ellenőrizze a szerszámok mozgó részeinek a mozgóképességét. Ellenőrizze, hogy nem történt-e sérülés a biztonsági burkolaton, vagy más részein, amelyek veszélyeztethetik az elektromos szerszámok biztonságos működését. Ha a szerszám megsérült, a további használat előtt biztosítsák be a javítását. Sok baleset okozója az elektromos szerszámok helytelen karbantartása.
- ✿ A vágó szerszámokat tartsák élesen és tisztán. A helyesen karbantartott és kiélesített szerszámok megkönnyítik a munkát, korlátozzák a baleset veszélyét és jobban ellenőrizhető a velük való munka. Más kellék használata, mint amely a használati utasításban van feltüntetve az importőr által a szerszám meghibásodását idézheti elő és baleset okozója lehet.
- ✿ Az elektromos szerszámokat, kellékeket, munkaeszközöket, stb. használja ezen utasítások alapján és oly módon, amely elő van írva a konkrét elektromos szerszámokra, figyelembevétel az adott munkafeltételeket és az adott típusú munkát. A szerszámok használata más célokra, mint amelyekre gyártva voltak veszélyes helyzetekhez vezethet.

Az akkumulátoros szerszámok használata

- ✿ Az akkumulátor behelyezése előtt győződjön meg arról, hogy a kapcsoló a "0-kikapcsolt" helyzetben van. A bekapcsolt állapotban levő szerszámba való akkumulátor behelyezése veszélyes helyzetek okozója lehet.
- ✿ Az akkumulátor töltésére csak a gyártó által előírt töltőt használja. Más fajta akkumulátor töltő használata tüzesetet idézhet elő.
- ✿ Csak olyan akkumulátort használjon, amely előírt az adott szerszámhoz. Más fajta akkumulátor töltő használata balesetet, ill. tüzesetet idézhet elő.
- ✿ Ha az akkumulátor használaton kívül van tárolják elkülönítve a fémtárgyaktól, mint például a kapcsok, szorítók, kulcsok, csavarok vagy más apró fémtárgyaktól amelyek előidézhetik az akkumulátor két kontaktusának összekapcsolását. Az akkumulátor rövidzárlata balesetet okozhat, égési sebeket és tüzesetet idézhet elő.
- ✿ Az akkumulátorokkal bánjunk kíméletesen. Kíméletlen bánásmóddal az akkumulátorból kifolyhat az elektrolit. Kerüljük a közvetlen érintkezést az elektrolittal. Ha mégis érintkezésbe kerülünk az elektrolittal, az érintet helyet mossuk le vízzel. Ha az elektrolit a szemünkbe kerül, azonnal menjünk orvoshoz. Az akkumulátor elektrolitje ingerületet vagy égéssérülést okozhat.

Szerviz

- ✿ Ne cseréljék az egyes szerszámok részeit, ne végezzenek el maguk javításokat, más módon se nyúljanak bele a szerszámokba. A berendezések javítását bizzuk szakképzett személyekre.
- ✿ A termék mindennemű javítása vagy módosítása a mi vállalatunk beleegyezése nélkül nem engedélyezett (balesetet idézhet elő, vagy kárt okozhat a felhasználónak).
- ✿ Az elektromos szerszámokat mindig certifikált szervizben javíttassuk. Csak eredeti vagy ajánlott pótalkatrészeket használjanak. Ezzel garantálja Ön és szerszáma biztonságát.

5. KÜLÖNLEGES MUNKAVÉDELMI SZABÁLYOK

⚠ FIGYELEM! Kérjük, használat előtt olvassa el figyelmesen a biztonsági utasításokat, majd őrizze meg őket.

- ✿ Mindig ellenőrizze, hogy a hálózati feszültség megegyezik-e a gép adattábláján feltüntetett értékkel. A fűrészt kétpólusú kábellel és csatlakozódugóval rendelkezik!
- ✿ Használjon védőszemüveget ha olyan anyaggal dolgozik amelyik sok forgácsot vagy szilánkot produkál, és esetenként használjon a megmunkált anyagnak és a munkaműveletnek megfelelő porvédő maszkot / légzőkészüléket. Hosszabb munkavégzés esetén használjon megfelelő fülvédőt is.

- ✿ Ha a kéziszerszám porszívó vagy porgyűjtő csonkkal rendelkezik, használja e készülékeket. A porszívó vagy porgyűjtő zsákját rendszeresen cserélje.
- ✿ Rögzítse a megmunkálni kívánt munkadarabot. Befogókészülékkel vagy satuval befogott munkadarabot sokkal biztonságosabban lehet rögzíteni mint a kézzel tartottat, és közben mindkét keze szabadon marad a szerszám használatához.
- ✿ Ügyeljen arra, hogy munka közben ne akadályozza a csatlakozókábel, ne léphessen rá, ne tehesen rá nehéz terhet és ne bukhasson fel benne. Ellenőrizze le, hogy munka közben a kábel nem sérülhet.
- ✿ A jelen használati útmutatóban feltüntetett utasítások be nem tartása esetén személyi sérülés veszélye fenyeget.
- ✿ A szűrőfűrészgép megfelel az érvényes műszaki előírásoknak és szabványoknak.
- ✿ A szűrőfűrészgéppel folytatott munkavégzés során a védőburkolatnak minden esetben alsó állásban kell lennie.
- ✿ Rendszeresen ellenőrizze a fűrészlap tartó mindkét csavarját.
- ✿ Ne használjon se sérült, se elhasználdott fűrészlapokat.
- ✿ Rendszeresen ellenőrizze a vezetőcsiga beállítását.
- ✿ Ne indítsa el a szűrőfűrészgépet, amíg a fűrészlap a munkadarabban található.
- ✿ Soha ne tegye ki a gépet olyan terhelésnek, ami a motor leállításához vezet.
- ✿ Soha ne próbálja megállítani a fűrészlap mozgását, még akkor se, ha a motor már kikapcsolt állapotú.
- ✿ A fűrészlap nagyon gyorsan maga kitolódik. A fűrész fogai rendkívül élesek.
- ✿ Soha ne célozzon a fűrészrel másokra.
- ✿ Zajjal, porral, rezgéssel szemben használjon személyi védőeszközöket !!!

⚠ FIGYELEM! Őrizze meg e biztonsági rendelkezéseket!!!

6. FÜLVÉDŐ

⚠ FIGYELEM! Abban az esetben, ha az akusztikus nyomás értéke meghaladja a 85,0 dB(A) értéket, használjon megfelelő fülvédő eszközt. Ezzel megelőzheti a hallása károsodását!

7. A SZÜRŐFŰRÉSZ HASZNÁLATA

Egyenes vágás

- ⚠ FIGYELEM!** A fűrész kizárólag otthoni vagy hobbi használatra alkalmas. A gyártó és az importőr nem ajánlják a szerszám extrém körülmények közötti, vagy nagy terhelés melletti használatát. Bármilyen további kiegészítő igény a gyártó és a vevő közötti megállapodás tárgyát képezi.
- ☼ Ingamozgást végző, elektronikus löketség szabályozóval ellátott szűrőfűrészről van szó. A löketség szabályozásával és a három fokozatra állítható ingamozgással kiváló teljesítmény és optimális vágási görbe érhető el a fűrészlap minimális kopása mellett. Az első használatbavétel előtt figyelmesen olvassa el a használati útmutatót, és ismerkedjen meg a gép egyes funkcióival.
 - ☼ Ellenőrizze le, hogy a munkavégzési területen, különösen a vágni kívánt munkadarab hátoldalán nem található semmilyen akadály. Amennyiben a fűrész egy kézzel használja, fokozott odafigyeléssel dolgozzon, és a szabad kezét tartsa mindig távol a vágási területtől.
- 📖 Megjegyzés:** A szerszám beállítása vagy tartozékcseré előtt MINDIG húzza ki a készüléket az elektromos hálózathoz (húzza ki a dugót a csatlakozóaljzából). Ezzel megelőzi a készülék véletlenszerű, nemkívánatos elindítását.

Fűrészlap csere

- ⚠ FIGYELEM!** Kapcsolja ki a fűrész, és húzza ki a csatlakozódugót a konnektorból.
- ☼ A fűrészlap típusát a vágni kívánt munkadarab függvényében válassza ki.
 - ☼ Hajtsa le a műanyag átlátszó burkolatot, forgassa el jobbra a gyorsbefogó tokmányt, tolja be a fűrészlapot (fogakkal maga felé) ütközésig, majd engedje el a gyorsbefogó tokmányt.
 - ☼ Csúsztassa a fűrészlapot a fűrészlap tartóba, a fogaknak előre kell nézniük, és a hátsó élnek a vezetőgörgőben kell lennie.
 - ☼ Hajtsa vissza az átlátszó műanyag burkolatot.
 - ☼ Ellenőrizze le a fűrészlap állását a vezetőgörgőben, valamint a befogását a tartóban.

Porelszívás

Illessze a gép hátsó részében található porelszívó nyílásba a porszívó csonkot, majd az óramutatók járásával ellentétes irányban elforgatva húzza meg. Az óramutatók járásával azonos irányú forgatással a csonek ismét kioldható. Csatlakoztassa a csonekra a vágás közben keletkező port és fűrészport felszívó porszívó csövet. A porelszívó használata ellenére minden esetben használjon légzésvédőt.

Ingamozgás beállítás

- ☼ Az ingamozgást a fűrészlapnál a szűrőfűrész bal oldalán található szabályozószerv segítségével állíthatjuk be.
- ☼ Az ingamozgás választható fokozatai: 0, 1, 2 és 3.
- ☼ Ajánlott ingamozgás fokozat az egyes fűrészselendő anyagok függvényében:

Lemez	0
Acél	0
Faforgács	2-3
Alumínium	0
Műanyagok	1-2
Fa	2-3

Gérvágás

- ☼ A talp beállításával különböző szögek alatt fűrészselhet.
- ☼ A talp beállítása előtt ellenőrizze le, hogy a fűrész csatlakozódugója ki van húzva az elektromos hálózathoz.
- ☼ A talp beállításához oldja meg kulccsal a fűrész alján található hatlapfejű csavart.
- ☼ Tolja előre a talpat előre, és billentse a kívánt szögbe (állások: 15°, 30°, 45°).
- ☼ A kulccsal ismét húzza meg a hatlapfejű csavart.
- ☼ Vágáskor ugyanúgy járjon el, mint egyenes vágáskor. A fűrész talpát tartsa párhuzamosan a munkadarabbal.

Egyenes vágás

- ☼ Ellenőrizze le, hogy a munkadarab megfelelően be van fogva a satuba vagy munkaasztalra.
- ☼ Rajzolja fel a munkadarabra a leendő vágás vonalát.
- ☼ Indítsa el a fűrész, és helyezze a talp elülső részét a munkadarabra.
- ☼ Helyezze a fűrészlapot a bejelölt vágásvonalra.
- ☼ A fűrész a vágás vonalán lassan előre haladva mozgassa. Ugyanakkor a fűrész nyomja lefelé is, nehogy a fűrészlap beszoruljon vagy eltörjön.

- ☼ Hagyja, hogy a fűrész a maga tempójában dolgozzon, hogy a fűrészlap szabadon mozoghasson a vágni kívánt munkadarabban - soha ne nyomja a fűrész, és ne terhelje túl. Nagyobb nyomással a vágás nem lesz gyorsabb.
- ☼ Válasszon a vágni kívánt anyagnak, felületkezelésének, vastagságának és a vágás típusának megfelelő fűrészlapot. A nagyobb fogak gyors, durva vágásra, míg a kisebb fogazatú fűrészlapok a végső felületkezelésre alkalmasak.
- ☼ Vékony lapok vágása esetén helyezzen munkadarabra a rezgéseket felfogó falemezt.

Kapcsoló (BE/KI)

- ☼ A kapcsoló (1) a fűrész markolatán található.
- ☼ A kapcsoló benyomásával beindul a fűrész.
- ☼ A kapcsoló az adott állásban rögzíthető a markolat oldalán található rögzítő gombbal.
- ☼ A rögzítés a kapcsoló benyomásával iktatható ki. A csatlakozódugó elektromos hálózatba csatlakoztatása előtt minden esetben ellenőrizze le, hogy a kapcsoló KI állapotban található. Ha a szerszámot nem kívánja használni, minden esetben húzza ki az elektromos hálózathoz.

Tisztítás és tárolás

- ⚠ FIGYELEM!** Mielőtt bármilyen ellenőrzési vagy karbantartási munkába kezdene a gépen, minden esetben győződjön meg arról, hogy a gép kikapcsolt állapotban van-e, és csatlakozózsínjre ki lett-e húzva a hálózati aljzatból. A fűrész megtisztításához elegendő egy kevés tisztítószer és nedves ruha. Figyelem, számos standard háztartási tisztítószer agresszív vegyi anyagokat tartalmaz, amelyek a szerszám műanyag részeinek megsérülését okozhatják. Ne használjon benzint, terpentint, festékkihígítókat stb. Ügyeljen arra, hogy se a tisztítószer, se a víz ne érhesse a szerszám belsejét. Elektromos készülékét soha ne merítse a víz alá.
- ☼ Se vízzel, se tisztítószeres oldatokkal ne próbálja meg megtisztítani a készülék elektromos részeit.
 - ☼ Minden használat után törölje át ruhával a fűrész.
 - ☼ Ellenőrizze le, hogy a szerszám szellőző nyílásai nincsenek a portól eltömődve, ez segít megelőzni a szerszám használat közbeni túlmelegedését.
 - ☼ Rendszeresen ellenőrizze a szénkeféket (a kopott és eltömődött szénkefék túlzott szikraképződéshez és a szerszám teljesítményének csökkenéséhez vezetnek).
 - ☼ A szénkeféket mindig párosával cserélje.

8. KARBANTARTÁS

Túlterhelés

A vágás során soha ne fejtsen ki túlságosan nagy nyomást a fűrészre. A túlzott nyomás csökkenti a szerszám löketségét, és a fűrész teljesítménye jelentős mértékben korlátozott. A túlságosan nagy nyomás a gép túlterheléséhez, ill. a motor sérüléséhez vezethet. Ha a fűrész túlságosan felmelegedett, hagyja kb. 2 percig üresjáraton, majd szakítsa meg rövid időre a munkát. A fűrész tiszta ruhadarabbal és kefével tisztítsa. Tartsa tisztán, pormentesen a szellőző nyílásokat.

9. JÓTÁLLÁS

A jótállási jegy kizárólag a vásárlást igazoló számlával együtt érvényes. Őrizze meg mindkét dokumentumot biztonságos helyen. Jótállás vagy szervizigény érvényesítése esetén forduljon az eladójához vagy szervizhez. A jótállás a termék minden olyan műszaki hibájára vonatkozik, amely a jótállási idő alatt bizonyíthatóan gyártási hiba vagy anyaghiba következtében lépett fel. Ilyen esetben a termék javításra és/vagy beállításra kerül. A jótállás nem vonatkozik a termék standard kopására, túlterhelés, nem megfelelő tartozékok alkalmazása vagy a termék helytelen üzemeltetése okozta műszaki meghibásodásra.

10. Műszaki adatok

Névleges feszültség.....	20V DC		
Üresjárat fordulatszám.....	2 400ford./perc		
Vágásmélység fában	51 mm		
Vágásmélység acélban	4 mm		
Ingamozgás fokozatok	0, I, II, III		
Gérvágási szögtartomány	0°- 45°		
Akusztikus nyomás.....	77.8 dB(A)	K=5 dB(A)	
Akusztikus teljesítmény.....	88.8 dB(A)	K=5 dB(A)	
Rezgésértékek.....	$a_{hB} = 7.79 \text{ m/s}^2$	K = 1,5 m/s ²	
	$a_{hM} = 8.60 \text{ m/s}^2$	K = 1,5 m/s ²	

A szöveg és műszaki paraméterek változtatásának joga fenntartva.

Használati útmutató - nyelvi változat.

A szöveg, kivétel és műszaki specifikációk előzetes figyelmeltetés nélkül változhatnak és a változtatások joga fenntartva.

Nehézségek megoldása

1. Az indító be van nyomva, de a fúrógép nem működik. A akkumulátoros berendezés működéséhez szükséges az akkumulátor megfelelő feltöltése. Ha a berendezés hosszabb ideig nem használjuk, az akkumulátor lemerül. Töltsük újra az akkumulátort. Bizonyosodjunk meg arról, hogy az akkumulátor helyesen van behelyezve a töltőbe. A töltés során az adapter felmelegedik – ez teljesen normális.
2. Az akkumulátorból folyadék folyik ki. Extrém hőmérsékleteknél, vagy terhelésnél előfordulhat kis szivárgás. Ha érintkezünk a szivárgott anyaggal, ezt azonnal távolítsuk el a bőrünkől vagy a ruházatunkról, mossuk le szappanos vízzel.
3. Az akkumulátor nem töltődik, a töltő kijelzője nem világít. Ha az akkumulátor nem töltődik, ellenőrizzük hogy rendesen van-e behelyezve a töltőbe és világít-e a kijelző. Ha nem, ellenőrizzük hogy a töltő hálózati csatlakozója helyesen van-e csatlakoztatva a töltőhöz. Ha igen, ellenőrizzük hogy a töltő csatlakozója helyesen van-e a hálózati csatlakozóban. Ha igen, ellenőrizzük a biztosítékot.
4. A berendezés teste hosszabb használat után felmelegszik. Rendes terhelésnél a test, a kapcsoló és az akkumulátor is felmelegedhet, mivel az elhasznált energia hővé képez a berendezés használatának. Ez normális. várjunk néhány percet, hogy a fúrógép lehűljön.
5. Használatkor az akkumulátor felmelegszik: Az akkumulátorból merített energia hővé képez. Az akkumulátor nem sérül, és a merített energia által képzett hő normális. Ha le kívánjuk hűteni, hagyjuk egyszerűen a fúrógépet a munka folytatása előtt lehűlni.
6. Feltöltéskor az akkumulátor felmelegszik: Ez szintén normális jelenség, ezt az akkumulátorban folyó vegyi reakció okozza a töltés során.
7. A töltés során az adapter felmelegszik: Ez normális jelenség, ezt a feszültség változásával kapcsolatos 23V-ról 18V-ra.

11. MEGSEMMISÍTÉS

UTASÍTÁSOK ÉS TÁJÉKOZTATÓ A HASZNÁLT CSOMAGOLÓANYAG KEZELÉSÉRŐL.

A használt csomagolóanyagot helyezze a község által erre a célra kijelölt hulladékgyűjtőbe.

A HASZNÁLT ELEKTROMOS ÉS ELEKTRONIKUS BERENDEZÉSEK LIKVIDÁLÁSA



A termékeken vagy a kísérő dokumentumokban levő jel azt jelzi, hogy a használt elektromos és elektronikus termékeket tilos a megszokott települési hulladékba rakni. A megfelelő likvidálás, felújítás vagy újrahasznosítás céljával adja át ezen termékeket a kijelölt gyűjtőhelyre. Az EK némely országában vagy más európai országokban alternatív módon a terméket visszaviheti az értékesítőnek, akitől a terméket megvásárolta egy új, ekvivalens termék vásárlása esetén. Ezen termék megfelelő likvidálásával hozzásegít az értékes természeti kincsek megőrzéséhez és segíti a környezetre és emberi egészségre gyakorolt potenciális negatív hatások megelőzését, ami a helytelen hulladék likvidálás következménye lehet. A további részleteket a helyi hivatalban vagy a legközelebbi gyűjtőhelyen kaphat. Az ilyen jellegű hulladék helytelen likvidálása a nemzeti előírásoknak megfelelően bírsággal sújtható.

Az Európai Közösség országaiban működő cégek részére

Ha elektromos vagy elektronikus berendezéseket kíván likvidálni, kérje ki a szükséges információkat az kereskedelmi képviselőjénél vagy az áru értékesítőjénél.

Likvidálás az Európai Közösségen kívüli országokban

Ez a jel az Európai Közösségen belül érvényes. Ha ezen terméket kívánja likvidálni, a megfelelő likvidálást illetően kérje a tájékoztatást a helyi hivatalokban vagy áru értékesítőjénél.



Ezen termék megfelel az EK szabványok alapvető követelményeinek, amelyek a terméket érintik.

A szöveg, formatervezés és műszaki specifikációk változása megengedett előzetes figyelmeztetés nélkül és fenntartjuk magunknak a jogot azok módosítására.

EU MEGFELELŐSÉGI NYILATKOZAT

Termék / márka: Akkumulátotos szűrőfűrészfű / FIELDMANN

Typ / model: **FDUP 50401-0** mint gyári modellként HL-JS07Li-1200S
DC 20 V, speed 2400/m⁻¹, Class III, IPX0
L_{PA} = 77,8dB(A), L_{WA} = 88,8dB(A)

Gyártó: FAST ČR, a.s.
Černokostecká 2111, 100 00 Praha 10, Czech Republic
VAT no: CZ26726548

A termék megfelel az alább ismertetett előírásoknak:

Directive MD 2006/42/EC
Directive EMC 2014/30/EU
Directive RoHS 2011/65/EU

és szabványoknak:

EN 62841-1:2015
EN 62841-2-11:2016
EN 55014-1:2017
EN 55014-2:2015



Kelt Prágában, 15. 6. 2020

Név: Ing. Zdeněk Pech

Az igazgatóság elnöke

Aláírás és bélyegzők:

FAST[®] FAST ČR, a.s. 
Černokostecká 1621, 251 01 Říčany
IČO: 26726548 tel.: +420/ 323 204 111
DIČ: CZ26726548 fax: +420/ 323 204 110

Wyrzynarka akumulatorowa

INSTRUKCJA OBSŁUGI

Dziękujemy za dokonanie zakupu wyrzynarka akumulatorowa. Przed rozpoczęciem użytkowania należy dokładnie zapoznać się z treścią niniejszej instrukcji obsługi i zachować ją na przyszłość.

SPIS TREŚCI

1. OGÓLNE PRZEPISY BEZPIECZEŃSTWA	68
2. SYMBOLE	69
3. OPIS URZĄDZENIA I ZAWARTOŚCI OPAKOWANIA	70
4. OGÓLNE ZALECENIA BEZPIECZEŃSTWA	70
5. SZCZEGÓLNE ZALECENIA BEZPIECZEŃSTWA	75
6. OCHRONA SŁUCHU.....	76
7. EKSPLOATACJA	76
8. DBAŁOŚĆ O URZĄDZENIE	79
9. GWARANCJA.....	79
10. DANE TECHNICZNE	80
11. LIKWIDACJA	81

1. OGÓLNE PRZEPISY BEZPIECZEŃSTWA

⚠ UWAGA! Przed użyciem należy uważnie przeczytać instrukcję użytkowania.

Ważne uwagi dotyczące bezpieczeństwa

- ☼ Produkt należy starannie rozpakować, należy zwrócić uwagę na wyjęcie z opakowania wszystkich części produktu.
- ☼ Produkt należy przechowywać w miejscu suchym, zabezpieczyć przed dostępem dzieci.
- ☼ Prze czytać wszelkie uwagi i instrukcje. Zaniedbania w stosunku do uwag i instrukcji mogą być powodem urazu, pożaru i/lub ciężkiego zranienia.

Opakowanie

Produkt jest zapakowany do opakowania chroniącego go przed uszkodzeniem w czasie transportu. Opakowanie jest surowcem wtórnym i należy poddać je recyklingowi.

Instrukcja obsługi

Przed rozpoczęciem korzystania z urządzenia należy zapoznać się z poniższymi przepisami bezpieczeństwa i instrukcją obsługi. Należy zapoznać się z elementami obsługi i właściwym korzystaniem z urządzenia. Instrukcje należy przechowywać w celu późniejszego z niej korzystania. Przez okres trwania gwarancji zaleca się przechowanie oryginalnego opakowania wraz z materiałami opakunkowymi, dokument zakupu i kartę gwarancyjną. Przechowanie opakowania ułatwi w przyszłości ewentualny transport urządzenia (przeprowadzka, odesłanie do naprawy).

📖 Uwaga: Jeżeli nastąpi przekazanie urządzenia innym użytkownikom, należy przekazać również instrukcję obsługi. Stosowanie się do zaleceń zawartych w instrukcji zapewni właściwe użytkowanie urządzenia. Instrukcja obsługi zawiera również instrukcje konserwacji urządzenia i napraw.

Producent nie ponosi odpowiedzialności za wypadki lub szkody powstałe w wyniku nie stosowania się do niniejszej instrukcji obsługi.

2. SYMBOLE



Niniejszy produkt został wyprodukowany zgodnie z obowiązującymi normami.



Przed uruchomieniem urządzenia należy dokładnie zapoznać się z instrukcją obsługi.



Sprzęt ochronny dla oczu



Sprzęt ochronny dla uszu

3. OPIS URZĄDZENIA I ZAWARTOŚCI OPAKOWANIA

Opis pilarki (patrz: ilustracja 1)

- 1 - Wyłącznik główny (WŁ./WYŁ.)
- 2 - Regulator ruchu wahadłowego
- 3 - Podstawa
- 4 - Blokada wyłącznika
- 5 - Mocowanie brzeszczotu
- 6 - Prowadnica

Zawartość opakowania

Urządzenie należy ostrożnie wyjąć z opakowania i sprawdzić, czy opakowanie zawiera wszystkie elementy:

- ✿ Wyrzynarka
- ✿ rostokątny przewodnik odległości linii cięcia
- ✿ Brzeszczot - 2szt.
- ✿ Karta gwarancyjna
- ✿ Instrukcja obsługi

W razie braku lub uszkodzenia elementów, należy zwrócić się do punktu sprzedaży, w którym urządzenie zostało zakupione.

4. OGÓLNE ZALECENIA BEZPIECZEŃSTWA

Prosimy uważnie przeczytać poniższe zalecenia bezpieczeństwa, zapamiętać je i zachować na przyszłość

⚠ OSTRZEŻENIE! Przy korzystaniu z maszyn elektrycznych i elektronarzędzi trzeba przestrzegać i dotrzymywać następujących zaleceń bezpieczeństwa ze względu na zabezpieczenie przed możliwym porażeniem prądem elektrycznym, zranieniem ludzi i niebezpieczeństwem powstania pożaru. Pojęcie „elektonarzędzie” odnosi się we wszystkich niżej podanych zaleceniach zarówno do elektronarzędzi zasilanych z sieci (przewodem zasilającym), jak i narzędzi zasilanych z akumulatora (bez przewodu zasilającego). Wszystkie ostrzeżenia i zalecenia należy przechować do ewentualnego wykorzystania w przyszłości.

Środowisko pracy

- ✿ Miejsce pracy należy utrzymywać w czystości i zapewnić w nim dobre oświetlenie. Nieporządek i niewystarczające oświetlenie miejsca pracy mogą stać się przyczyną wypadku. Porządkujemy narzędzia, z których nie korzystamy w danej chwili.
- ✿ Nie korzystamy z elektronarzędzi w środowisku zagrożonym niebezpieczeństwem powstania pożaru albo wybuchu, to znaczy w miejscach, w których występują ciecz palna, gazy albo pyły. W elektronarzędziu na komutatorze powstaje iskrzenie, które może spowodować zapłon pyłów albo oparów.
- ✿ Przy korzystaniu z elektronarzędzi ograniczamy dostęp niepowołanych osób, a szczególnie dzieci do przestrzeni roboczej! Jeżeli będziecie rozpraszani, możecie stracić kontrolę nad wykonywaną czynnością. W żadnym razie nie pozostawiamy elektronarzędzi bez nadzoru. Uniemożliwiamy dostęp zwierząt do tych urządzeń.

Bezpieczeństwo elektryczne

- ✿ Wtyczka przewodu zasilającego elektronarzędzia musi pasować do gniazdka sieciowego. Nigdy i w żaden sposób nie przerabiamy konstrukcji wtyczki. Do zasilania narzędzia, które ma we wtyczce przewodu zasilającego styk ochronny (bolec), nigdy nie stosujemy rozgałęźników, ani innych elementów przejściowych. Nieuszkodzona wtyczka i odpowiednie gniazdko ograniczają niebezpieczeństwo porażenia prądem elektrycznym. Uszkodzone albo poplątane przewody zasilające zwiększają niebezpieczeństwo porażenia prądem elektrycznym. Jeżeli przewód sieciowy jest uszkodzony, to trzeba go wymienić na nowy przewód sieciowy, który można zakupić w autoryzowanym ośrodku serwisowym albo u importera.
- ✿ Wystrzegamy się dotykania ciałem do uziemionych przedmiotów takich, jak na przykład rurociągi, grzejniki centralnego ogrzewania, kuchenki i lodówki. Niebezpieczeństwo porażenia prądem elektrycznym jest większe, jeżeli nasze ciało jest połączone z ziemią.
- ✿ Nie narażamy elektronarzędzi na działanie deszczu, wilgoci albo mokrego środowiska. Elektronarzędzi nigdy nie dotykamy mokrymi rękami. Elektronarzędzi nigdy nie myjemy pod bieżącą wodą, ani nie zanurzamy do wody.
- ✿ Przewodu zasilającego nie używamy do innego celu, niż ten, do którego jest przeznaczony. Nigdy nie nosimy i nie ciągniemy elektronarzędzi za przewód zasilający. Nie wyciągamy wtyczki z gniazdka przez pociągnięcie za przewód. Chronimy przewody elektryczne przed uszkodzeniami mechanicznymi spowodowanymi przez ostre albo gorące przedmioty.
- ✿ Elektronarzędzie zostało wykonane wyłącznie do zasilania przemiennym prądem elektrycznym. Zawsze sprawdzamy, czy napięcie elektryczne w sieci odpowiada danym zamieszczonym na tabliczce znamionowej narzędzia.
- ✿ Nigdy nie pracujemy z narzędziem, które ma uszkodzony przewód elektryczny albo wtyczkę, ewentualnie upadło na ziemię i jest uszkodzone w jakikolwiek inny sposób.

- ✿ W przypadku zastosowania przedłużacza zawsze sprawdzamy, czy jego parametry techniczne odpowiadają danym zamieszczonym na tabliczce znamionowej narzędzia. Jeżeli elektronarzędzie jest wykorzystywane na zewnątrz, trzeba stosować przedłużacz przystosowany do użytku zewnętrznego. Przy zastosowaniu przedłużacza zwijanego na szpuli, trzeba go rozwinąć, aby nie doszło do przegrzania przewodu.
- ✿ Jeżeli elektronarzędzie ma być wykorzystywane w pomieszczeniu wilgotnym albo na zewnątrz, to można z niego korzystać tylko, jeżeli jest podłączone do obwodu elektrycznego z wyłącznikiem różnicowoprądowym ≤ 30 mA. Korzystanie z obwodu elektrycznego z wyłącznikiem różnicowoprądowym /RCD/ zmniejsza zagrożenie porażenia prądem elektrycznym.
- ✿ Ręczne elektronarzędzia trzymamy wyłącznie za izolowane uchwyty przeznaczone do ich trzymania, ponieważ przy pracy może dojść do kontaktu narzędzia tnącego albo wierzącego z niewidocznym przewodem albo z przewodem zasilającym nasze narzędzie.

Bezpieczeństwo osób

- ✿ Przy korzystaniu z elektronarzędzi musimy być ostrożni i przewidujący, poświęcić maksymalną uwagę czynności, którą właśnie wykonujemy. Koncentrujemy się na swojej pracy. Nie pracujemy z elektronarzędziem, jeżeli jesteśmy zmęczeni albo jesteśmy pod wpływem narkotyków, alkoholu albo lekarstw. Nawet chwilowa nieuwaga przy korzystaniu z elektronarzędzi może spowodować poważny wypadek z udziałem osób. Przy pracy z elektronarzędziem nie wolno jeść, pić i palić tytoniu.
- ✿ Korzystamy ze środków ochronnych. Zawsze korzystamy ze środków do ochrony oczu. Stosujemy środki ochronne odpowiadające rodzajowi pracy, którą wykonujemy. Środki ochronne, jak na przykład respirator, obuwie bezpieczeństwa z zabezpieczeniem przeciwpoślizgowym, nakrycie głowy albo ochrona słuchu stosowane zgodnie z warunkami pracy zmniejszają ryzyko wypadku z udziałem osób.
- ✿ Wystrzegamy się niekontrolowanego włączenia narzędzia. Nie przenosimy narzędzia, które jest włączone do sieci elektrycznej, z palcem na wyłączniku albo na przycisku do włączania. Przed podłączeniem do napięcia elektrycznego sprawdzamy, czy wyłącznik albo przycisk są w położeniu „wyłącz”. Przenoszenie narzędzia z palcem na wyłączniku albo z włączoną wtyczką narzędzia do gniazdka przy włączonym wyłączniku w instalacji może być przyczyną poważnego wypadku.
- ✿ Przed włączeniem narzędzia usuwamy wszystkie klucze i przyrządy służące do regulacji. Klucz do regulacji albo inny przyrząd, który będzie pozostawiony przymocowany do obracającej się części elektronarzędzia może spowodować obrażenia u osób.
- ✿ Zawsze utrzymujemy stabilną pozycję i równowagę. Pracujemy tylko tam, dokąd bezpiecznie sięgamy. Nigdy nie przeceniamy własnych możliwości. Nie korzystamy z elektronarzędzi, jeżeli jesteśmy zmęczeni.

- ✿ Ubieramy się w odpowiedni sposób. Korzystamy z odzieży roboczej. Nie nosimy luźnych ubrań, ani biżuterii. Dbamy o to, aby nasze włosy, ubranie, rękawice albo jakaś inna część ciała nie znalazła się w bezpośredniej bliskości wirujących albo rozgrzanych części elektronarzędzi.
- ✿ Podłączamy urządzenie do odsysania pyłu. Jeżeli narzędzie ma możliwość podłączenia urządzenia do wychwytywania albo odsysania pyłu zapewniamy, aby zostało ono dobrze podłączone i wykorzystywane. Korzystanie z tych urządzeń może ograniczyć niebezpieczeństwo powodowane obecnością pyłu.
- ✿ Dobrze zamocowujemy obrabiany przedmiot. Korzystamy z zacisku stolarskiego albo ścisku do mocowania części, która będzie obrabiana.
- ✿ Nie korzystamy z elektronarzędzi będąc pod wpływem alkoholu, narkotyków, lekarstw albo innych substancji odurzających i uzależniających.
- ✿ To urządzenie nie jest przeznaczone do używania przez osoby (łącznie z dziećmi) o zmniejszonych predyspozycjach fizycznych, umysłowych albo mentalnych albo nie posiadające odpowiedniej wiedzy i doświadczenia, jeżeli nie są one pod dozorem albo nie zostały pouczone o zasadach korzystania z tych urządzeń przez osoby odpowiedzialne za ich bezpieczeństwo. Dzieci muszą być pod dozorem, aby mieć pewność, że nie będą się bawić tym urządzeniem.

Stosowanie elektronarzędzi i ich konserwacja

- ✿ Elektronarzędzia należy zawsze odłączyć od sieci elektrycznej w przypadku jakiegokolwiek problemu przy pracy, przed każdym czyszczeniem albo konserwacją, przy każdym przemieszczeniu i po zakończeniu pracy! Nigdy nie pracujemy z elektronarzędziem, jeżeli jest ono w jakikolwiek sposób uszkodzone.
- ✿ Jeżeli narzędzie zacznie wydawać nienormalny dźwięk albo wydzielać podejrzany zapach, należy natychmiast przerwać pracę.
- ✿ Elektronarzędzi nie wolno przeciążać. Elektronarzędzie będzie pracować lepiej i bezpieczniej, jeżeli będzie użytkowane z obrotami, do których jest zaprojektowane. Korzystamy wyłącznie ze sprawnych narzędzi, które są przeznaczone do danej czynności. Sprawne narzędzie lepiej i bezpieczniej wykona pracę, do której zostało skonstruowane.
- ✿ Nie korzystamy z elektronarzędzi, których nie można bezpiecznie włączyć i wyłączyć za pomocą wyłącznika. Stosowanie takiego narzędzia jest niebezpieczne. Wadliwe wyłączniki muszą być wymienione przez certyfikowany serwis.
- ✿ Narzędzie odłączamy od źródła energii elektrycznej przed rozpoczęciem jego regulacji, wymiany wyposażenia albo konserwacji. Ten środek ogranicza niebezpieczeństwo przypadkowego włączenia.
- ✿ Niewykorzystywane elektronarzędzia należy uporządkować i przechowywać tak, aby były poza zasięgiem dzieci i osób niepowołanych. Elektronarzędzia w rękach niedoświadczonych użytkowników mogą być niebezpieczne. Elektronarzędzia przechowuje się w suchym i bezpiecznym miejscu.

- ✿ Elektronarzędzia należy utrzymywać w dobrym stanie. Okresowo kontrolujemy regulacje poruszających się części i ich luzy. Kontrolujemy, czy nie doszło do uszkodzenia osłon ochronnych albo innych części, które mogą zagrozić bezpiecznemu działaniu elektronarzędzi. Jeżeli narzędzie jest uszkodzone, to przed dalszym użyciem trzeba zapewnić jego specjalistyczną naprawę. Wiele wypadków zostało spowodowanych przez źle konserwowane elektronarzędzia.
- ✿ Narzędzia tnące muszą być czyste i ostre. Dobrze utrzymane i naostrzone narzędzia ułatwiają pracę, ograniczają niebezpieczeństwo wypadku, a pracę z nimi łatwiej się kontroluje. Zastosowanie innego wyposażenia, niż to, które jest opisane w instrukcji obsługi może spowodować uszkodzenie narzędzia i stać się przyczyną wypadku.
- ✿ Elektronarzędzia, wyposażenie, narzędzia robocze itp. wykorzystuje się zgodnie z tymi zaleceniami i w taki sposób, który jest wymagany dla konkretnego elektronarzędzia z uwzględnieniem danych warunków i rodzaju wykonywanej pracy. Zastosowanie narzędzia do innych celów, niż te, do których jest przeznaczone, może doprowadzić do niebezpiecznych sytuacji.

Korzystanie z narzędzi akumulatorowych

- ✿ Przed włożeniem akumulatora sprawdzamy, czy wyłącznik jest w położeniu „0-wyłącz”. Włożenie akumulatora do włączonego elektronarzędzia może doprowadzić do niebezpiecznych sytuacji.
- ✿ Do ładowania akumulatorów stosujemy tylko ładowarki zalecane przez producenta. Zastosowanie ładowarki do innego typu akumulatora może spowodować jego uszkodzenie i powstanie pożaru.
- ✿ Korzystamy tylko z akumulatorów przeznaczonych dla danego narzędzia. Zastosowanie innych akumulatorów może spowodować wypadek albo powstanie pożaru.
- ✿ Jeżeli akumulator nie jest wykorzystywany, należy go przechowywać oddzielnie od takich przedmiotów metalowych, jak zaciski, klucze, śruby i inne drobne przedmioty metalowe, które mogą spowodować zwarcie styków akumulatora. Zwarcie akumulatora spowodować wypadek, oparzenia albo powstanie pożaru.
- ✿ Z akumulatorami należy postępować ostrożnie. Przy nieostrożnym postępowaniu z akumulatora mogą się wydostać zawarte w nim chemikalia. Unikamy kontaktu z takimi substancjami, a jeżeli dojdzie do takiego kontaktu, myjemy zanieczyszczone miejsce strumieniem bieżącej wody. Jeżeli substancja chemiczna przedostanie się do oczu, należy natychmiast wezwać pomoc lekarską. Substancja chemiczna z akumulatora może spowodować poważne obrażenia ciała.

Serwis

- ✿ Nie wymieniamy części narzędzia, nie wykonujemy napraw we własnym zakresie, ani w inny sposób nie ingerujemy do konstrukcji narzędzia. Naprawy narzędzia powierzamy specjalistom.

- ✿ Każda naprawa albo przeróbka wyrobu bez upoważnienia naszej spółki jest niedopuszczalna (może spowodować obrażenia ciała albo straty materialne).
- ✿ Elektronarzędzia zawsze oddajemy do naprawy do certyfikowanego ośrodka serwisowego. Stosujemy tylko oryginalne albo zalecane części zamienne. W ten sposób zapewniamy bezpieczeństwo własne i swojego narzędzia.

5. SZCZEGÓLNE ZALECENIA BEZPIECZEŃSTWA

⚠ UWAGA! Przed uruchomieniem prosimy uważnie przeczytać niniejsze zalecenia bezpieczeństwa i zachować je na przyszłość.

- ✿ Należy upewnić się, napięcie w sieci odpowiada danym umieszczonym na tabliczce znamionowej urządzenia. Wyrzynarka jest wyposażona w przewód dwubiegunowy i wtyk!
- ✿ Podczas pracy należy stosować okulary ochronne i w razie powstawania zapylenia przy cięciu lub wierceniu również maskę. Podczas dłużej trwającej pracy z użyciem narzędzia lub przy dużym poziomie hałasu należy stosować odpowiednie ochroniacze słuchu.
- ✿ Jeżeli wyrzynarka jest wyposażona w przyłącze do odkurzacza lub pochłaniacza pyłu, należy bezwzględnie używać tych urządzeń. Worek na odpady należy regularnie wymieniać.
- ✿ Obrabiany element przed rozpoczęciem pracy należy dobrze zamocować. Zapewnia to większe bezpieczeństwo pracy niż przytrzymywanie obrabianego elementu ręką.
- ✿ Przewód zasilający należy ułożyć w sposób zapewniający bezpieczeństwo podczas pracy. Należy sprawdzić czy nie występuje zagrożenie uszkodzenia przewodu podczas pracy.
- ✿ W przypadku nieprzestrzegania zaleceń zamieszczonych w tej instrukcji, zagraża ryzyko wypadku.
- ✿ Wyrzynarka odpowiada wymaganiom obowiązujących przepisów technicznych i norm.
- ✿ Przy pracy z wyrzynarką osłona ochronna musi być zawsze przesunięta w dół.
- ✿ Okresowo kontrolujemy obie śruby w uchwycie brzeszczotu.
- ✿ Nie korzystamy z uszkodzonych albo zużytych brzeszczotów.
- ✿ Okresowo kontrolujemy ustawienie rolki prowadzącej.
- ✿ Nie włączamy wyrzynarki, jeżeli brzeszczot znajduje się w materiale.
- ✿ Nigdy nie obciążamy wyrzynarki tak, aby silnik się zatrzymał.
- ✿ Nigdy nie przyspieszamy zatrzymania się brzeszczotu nawet, jeżeli silnik jest już wyłączony.
- ✿ Brzeszczot wysuwa się bardzo szybko. Zęby brzeszczotu są bardzo ostre.
- ✿ Brzeszczotu nigdy nie kierujemy w stronę innych osób.
- ✿ Korzystamy ze środków ochronnych zabezpieczających przed hałasem, pyłem i wibracjami!!!

⚠ UWAGA! Te zalecenia bezpieczeństwa należy zachować na przyszłość!!!

6. OCHRONA SŁUCHU

⚠ UWAGA! Jeżeli podczas pracy wartość ciśnienia akustycznego przekroczy 85,0 dB(A), należy stosować odpowiednią ochronę słuchu. Przeciwdziała to uszkodzeniu słuchu!

7. EKSPLOATACJA

Praca z użyciem wyrzynarki

⚠ UWAGA! Wyrzynarka jest przeznaczona wyłącznie do zastosowań domowych albo hobbystycznych. Producent i importer nie zalecają korzystania z tego narzędzia w ekstremalnych warunkach i przy dużym obciążeniu. Jakiegokolwiek wymagania dodatkowe muszą być przedmiotem prozumienia pomiędzy producentem, a odbiorcą,

- ✿ Jest to wyrzynarka z regulacją ruchu wahadłowego w celu optymalizacji prędkości przecinania i elektroniczną regulacją obrotów. Regulacja obrotów i trzystopniowa regulacja ruchu wahadłowego powoduje osiągnięcie dobrego efektu cięcia i zoptymalizowanie krzywej cięcia przy minimalnym zużyciu brzeszczotu. Przed pierwszym użyciem narzędzia należy dokładnie zapoznać się z instrukcją obsługi i poszczególnymi funkcjami urządzenia.
- ✿ Należy upewnić się, że w części roboczej nie występują żadne przeszkody, przede wszystkim od spodu elementu ciętego. Jeżeli wyrzynarka jest prowadzona jedną ręką, należy pracować bardzo ostrożnie, a wolną rękę utrzymywać poza obszarem cięcia.

📖 Uwaga: Przed przystąpieniem do regulowania urządzenia lub wymiany oprzyrządowania ZAWSZE należy odłączyć urządzenie od zasilania (wyjąć wtyk z gniazda zasilania). Zapobiegnie to przypadkowemu uruchomieniu maszyny podczas manipulowania.

Wymiana brzeszczotu

⚠ UWAGA! Wyłączyć wyrzynarkę i odłączyć przewód zasilający od zasilania.

- ✿ Rodzaj brzeszczotu należy wybrać odpowiednio do rodzaju materiału, który ma być cięty.
- ✿ Odchylamy plastikową, przezroczystą osłonę, przekreślamy uchwyt szybkoocujący w prawo, wsuwamy brzeszczot (zęby do siebie) aż do oporu i zwalniamy uchwyt szybkoocujący.
- ✿ Wsunąć brzeszczot w uchwyt, zęby muszą być skierowane w kierunku do przodu a powierzchnia tylnej krawędzi musi być wsunięta do prowadnicy rolkowej.
- ✿ Plastikową, przezroczystą osłonę przesuwamy w początkowe miejsce.
- ✿ Sprawdzić prawidłowość ułożenia brzeszczotu w prowadnicy rolkowej i zamocowanie brzeszczotu w uchwycie. Odsysanie pyłu

Do złączki do odsysania pyłu w tylnej części narzędzia wsunąć końcówkę rurową i dokręcić ją obracając w kierunku przeciwnym do ruchu wskazówek zegara. Poprzez wykonanie ruchu odwrotnego następuje zwolnienie końcówki. Do końcówki rurowej należy podłączyć wąż zwykłego odkurzacza, który podczas cięcia odessie pył i trociny. Zawsze należy używać maski przeciwpyłowej mimo, że zastosowany jest system odsysania pyłu.

Regulacja ruchu wahadłowego

- ☼ Skok ruchu wahadłowego ustawia się przy pomocy regulatora umieszczonego w pobliżu brzeszczotu po lewej stronie wyrzynarki.
- ☼ Istnieje możliwość ustawienia ruchu wahadłowego w czterech stopniach: 0, 1, 2 i 3.
- ☼ Zalecane ustawienie ruchu wahadłowego w stosunku do poszczególnych rodzajów materiałów:

Blacha	0
Stal	0
Płyta wiórowa	2-3
Aluminium	0
Tworzywa sztuczne	
Drewno	2-3

Cięcie pod kątem

- ☼ Poprzez zmianę ustawienia podstawy (płyzy) można prowadzić cięcie pod różnym kątem.
- ☼ Przed dokonaniem zmiany ustawienia podstawy, należy upewnić się, czy wyrzynarka jest odłączona od zasilania.
- ☼ W celu ustawienia podstawy należy odkręcić przy użyciu klucza imbusowego śrubę na spodzie wyrzynarki.

- ✿ Przesunąć podstawę w kierunku do przodu i nachylić ją do wymaganego kąta (położenie: 15°, 30°, 45°).
- ✿ Kluczem imbusowym należy następnie dokręcić śrubę.
- ✿ Podczas cięcia postępować podobnie jak przy cięciu prostym. Podstawę (płozę) wyrzynarki prowadzić równoległe do obrabianego elementu.

Cięcie po prostej

- ✿ Upewnić się, czy cięty element jest prawidłowo zamocowany w imadle lub na stole roboczym.
- ✿ Na elemencie ciętym zaznaczyć linię cięcia.
- ✿ Uruchomić wyrzynarkę i postawić przednią część płozy na elemencie ciętym.
- ✿ Umieścić wyjście brzeszczotu wyrzynarki na wyznaczonym punkcie cięcia.
- ✿ Wolno należy prowadzić wyrzynarkę w kierunku do przodu po wyznaczonej linii cięcia. Jednocześnie należy dociskać w kierunku w dół, aby nie doszło do zakleszczenia lub złamania brzeszczotu.
- ✿ Wyrzynarka powinna pracować we własnym tempie, aby brzeszczot mógł swobodnie przechodzić przez materiał cięty – nigdy nie należy dociskać wyrzynarki, ani jej nie przeciążać. Przez zwiększanie nacisku, proces cięcia nie ulegnie przyspieszeniu.
- ✿ Rodzaj brzeszczotu należy wybrać odpowiednio do rodzaju materiału, który ma być cięty, do rodzaju wykończenia powierzchni, grubości i rodzaju cięcia. Większe zęby wykonają szybkie, wymagające obróbki cięcia, powierzchnia cięcia przy zastosowaniu brzeszczotu o drobnych zębach nie wymaga obróbki.
- ✿ Przy cięciu cienkich płyt należy na cięty element położyć płytę z drewna, która będzie absorbować wibracje.

Wyłącznik główny (WŁ./WYŁ.)

- ✿ Wyłącznik główny (1) znajduje się na rękojeści wyrzynarki.
- ✿ Poprzez naciśnięcie przycisku uruchamia się wyrzynarkę.
- ✿ Wyłącznik główny można zablokować w danym położeniu za pomocą przycisku umieszczonego na boku rękojeści.
- ✿ Blokadę likwiduje się naciśnięciem wyłącznika głównego. Przed podłączeniem wtyczki przewodu zasilania do gniazda należy zawsze sprawdzić, czy wyłącznik główny znajduje się w położeniu WYŁ. Jeżeli nie korzystania z urządzenia należy zawsze odłączyć je od zasilania.

Czyszczenie i przechowywanie

⚠ UWAGA! Przed przystąpieniem do konserwacji i czyszczenia należy upewnić się czy urządzenie jest odłączone od zasilania. Odłączyć wyrzynarkę od zasilania. Wyrzynarkę należy czyścić roztworem delikatnego detergentu i wilgotną ściereczką. Uwaga, wiele domowych środków czystości zawiera agresywne substancje chemiczne, które mogą spowodować uszkodzenie elementów urządzenia wykonanych z tworzywa sztucznego. Nie wolno stosować benzyny, terpentyny, rozpuszczalników do farb itp. Należy uważać, aby środek czyszczący lub woda nie przedostały się do wnętrza urządzenia. Wystrzegać się zanurzenia urządzenia w wodzie.

- ✿ Przy użyciu wody lub roztworu detergentu nie wolno czyścić żadnych elektrycznych elementów urządzenia.
- ✿ Po każdym użyciu, wyrzynarkę należy oczyścić ściereczką.
- ✿ Sprawdzić, czy w otworach wentylacyjnych nie znajduje się pył, przeciwdziałając w ten sposób przegrzaniu urządzenia.
- ✿ Regularnie należy sprawdzać stan szczotek węglowych silnika (zabrudzone lub zużyte szczotki powodują nadmierne iskrzenie i obniżają moc urządzenia).
- ✿ Szczotki należy wymieniać parami.

8. DBAŁOŚĆ O URZĄDZENIE

Przeciążenie

Podczas cięcia nie należy nadmiernie naciskać na wyrzynarkę. Nadmierny nacisk powoduje spadek obrotów narzędzia i ogranicza moc wyrzynarki. Nadmierny nacisk może spowodować przeciążenie maszyny i w następstwie uszkodzenie silnika. Jeżeli wyrzynarka nadmiernie zagrzeje się, należy pozostawić ją przez około 2 minuty na biegu jałowym, a następnie przerwać na krótki czas pracę. Wyrzynarkę należy czyścić używając czystej ściereki i szczoteczki. Otwory wentylacyjne należy utrzymywać w czystości i wolne od pyłu.

9. GWARANCJA

Karta gwarancyjna jest ważna wraz z dowodem zakupu. Oba dokumenty należy starannie przechowywać. W razie konieczności skorzystania z gwarancji należy zwrócić się do sprzedawcy lub zakładu naprawczego - serwisowego. Gwarancja obejmuje wszelkie wady i usterki produktu, które wystąpiły podczas okresu gwarancyjnego i są spowodowane winą produkcyjną lub wadą materiałową. W takim przypadku produkt będzie naprawiony i/lub wyregulowany. Gwarancja nie obejmuje normalnego zużycia produktu, wad spowodowanych przeciążeniem, użyciem niewłaściwego oprzyrządowania lub niewłaściwym użytkowaniem produktu.

10.DANE TECHNICZNE

Napięcie znamionowe	20V DC
Obroty	2 400 ot./min
Zdolność cięcia w drewnie	51 mm
Zdolność cięcia w stali.....	4 mm
Stopniowa regulacja ruchu wahadłowego.....	0, I, II, III
Stopniowa regulacja cięcia pod kątem	0°- 45°
Ciężenie akustyczne	77,8 dB(A) K = 5 dB(A)
Poziom hałasu	88,8 dB(A) K = 5 dB(A)
Wibracja.....	$a_{hM} = 7,79 \text{ m/s}^2$ K = 1,5 m/s^2 $a_{hM} = 8,60 \text{ m/s}^2$ K = 1,5 m/s^2

Instrukcja użytkownika - tylko wersja językowa.

Zastrzega się możliwość zmiany tekstu i parametrów technicznych.

Zmiany tekstu, designu i danych technicznych mogą być dokonywane bez uprzedniego ostrzeżenia. Zastrzegamy sobie prawo do ich zmiany.

Rozwiązywanie problemów

1. Wyłącznik jest wciśnięty, ale wiertarka nie pracuje: Aby aparat mógł pracować, akumulator musi być dostatecznie doładowany. Jeśli aparat nie jest używana przez dłuższy czas, dochodzi do rozładowania akumulatora. Spróbuj doładować akumulator. Upewnij się, że akumulator został bprawidłowo umieszczony w ładowarce. Podczas ładowania akumulator się nagrzewa, co jest normalnym zjawiskiem.
2. Wyciek elektrolitu z akumulatora: Przy skrajnych temperaturach lub przy wysokim obciążeniu może dojść do niewielkiego wycieku elektrolitu. Jeśli dotknąłeś cieczy, natychmiast zmyj ją ze skóry lub ubrania wodą z mydłem.
3. Akumulator się nie doładowuje i światło w ładowarce nie świeci: Jeśli akumulator się nie doładowuje, sprawdź, czy jest on prawidłowo umieszczony w ładowarce i przekonaj się, czy kontrolka świeci. Jeśli kontrolka nie świeci, sprawdź, czy wtyczka ładowarki jest prawidłowo wsunięta do gniazda. Jeśli tak, sprawdź bezpiecznik gniazda.
4. Korpus aparata nagrzewa się przy dłuższym użyciu: Przy normalnym obciążeniu dochodzi do nagrzewania korpusu, wyłącznika i akumulatora, ponieważ energia zużywana podczas użycie aparata produkuje ciepło. Jest to normalne zjawisko. Pozostaw wiertarkę na kilka minut do wystygnięcia.
5. Akumulator nagrzewa się podczas użytkowania: Energia pobierana z akumulatora wytwarza ciepło. Nie powoduje to uszkodzenia akumulatora, wytwarzanie ciepła podczas poboru energii jest zjawiskiem normalnym. Jeśli chcesz schłodzić akumulator, pozostaw wiertarkę wyłączoną na kilka minut przed rozpoczęciem nowej pracy.
6. Akumulator nagrzewa się podczas ładowania: Jest to zjawisko normalne wynikające z reakcji chemicznych przebiegających wewnątrz akumulatora podczas procesu ładowania.
7. Podczas ładowania ładowarka się nagrzewa: Jest to normalne zjawisko wynikające z obniżenia napięcia z 230 V na 18 V.

11. LIKWIDACJA

ZALECENIA I INFORMACJE O POSTĘPOWANIU Z ZUŻYTYM OPAKOWANIEM.

Zużyty materiał z opakowania przekazuje się na gminne wysypisko odpadów.

LIKWIDACJA ZUŻYTYCH URZĄDZEŃ ELEKTRYCZNYCH I ELEKTRONICZNYCH



Ten symbol na produktach albo w dokumentach przewodnich oznacza, że zużyte wyroby elektryczne i elektroniczne nie mogą być dodawane do zwykłych odpadów komunalnych. W celu właściwej likwidacji, odzysku i recyklingu trzeba je przekazywać w ustalone zbiorcze miejsca. Alternatywnie w niektórych krajach Unii Europejskiej albo w innych krajach europejskich można zwrócić takie wyroby lokalnemu sprzedawcy przy zakupie nowego, ekwiwalentnego produktu. Właściwa likwidacja tego produktu pomoże zachować cenne źródła naturalne i pomaga w zapobieganiu negatywnym wpływom na środowisko naturalne i zdrowie ludzi, które mogłaby spowodować niewłaściwa likwidacja odpadów. Szczegółowych informacji udziela Urząd gminy albo najbliższe wysypisko odpadów. Przy niewłaściwej likwidacji tego rodzaju odpadu, zgodnie z przepisami krajowymi, może dojść do nałożenia mandatu karnego.

Dotyczy podmiotów gospodarczych w Unii Europejskiej

Jeżeli trzeba zlikwidować urządzenia elektryczne i elektroniczne, to niezbędne informacje należy uzyskać od swojego sprzedawcy albo dostawcy.

Likwidacja w innych krajach poza Unią Europejską

Ten symbol obowiązuje w Unii Europejskiej. Jeżeli chcemy ten wyrób zlikwidować, to niezbędne informacje o właściwym sposobie likwidacji otrzymujemy od urzędów lokalnych albo od swojego sprzedawcy.



Ten wyrób spełnia wszystkie podstawowe wymagania dyrektyw UE, które go dotyczą.

Zmiany w tekście, designie i specyfikacji technicznej mogą nastąpić bez wcześniejszego uprzedzenia i zastrzegamy sobie prawo do ich wprowadzania.

EU DEKLARACJA ZGODNOŚCI

Produkt / marka: Wyrzynarka akumulatorowa/ FIELDMANN
Typ / model: **FDUP 50401-0** jako fabryczny model HL-JS07Li-1200S
DC 20 V (battery powered), speed 2400/m⁻¹, Class III, IPX0
L_{PA} = 77.8dB(A), L_{WA} = 88.8dB(A)
Producent: FAST ČR, a.s.
Černokostecká 2111, 100 00 Praha 10, Czech Republic
VAT no: CZ26726548

Produkt spełnia wymagania następujących przepisów:

Directive MD 2006/42/EC
Directive EMC 2014/30/EU
Directive RoHS 2011/65/EU

i norm:

EN 62841-1:2015
EN 62841-2-11:2016
EN 55014-1:2017
EN 55014-2:2015



Praga, 23.2.2020

Jmię i nazwisko: inż. Zdeněk Pech
Prezes Zarządu
Podpis i pieczętki:

FAST® FAST ČR, a.s. ©
Černokostecká 1621, 251 01 Říčany
IČO: 26726548 tel.: +420/ 323 204 111
DIČ: CZ26726548 fax: +420/ 323 204 110

