



**FIELDMANN®**  
Home & Garden Performance



FDW 2004-E  
FDW 201201-E

---

English .....	3
Čeština .....	25
Slovenčina .....	47
Magyarul .....	69
Polski .....	91
Slovenščina .....	113
Hrvatski .....	135
Русский .....	157

# High-pressure washer

## OPERATING INSTRUCTIONS

**Thank you for buying this high-pressure washer. Before using it, please read carefully this operating manual and retain it for further use.**

## CONTENTS

1. GENERAL SAFETY INSTRUCTIONS.....	4
2. SYMBOLS .....	5
3. GENERAL DESCRIPTION .....	7
4. SAFETY INSTRUCTIONS .....	8
5. ASSEMBLY INSTRUCTIONS .....	11
6. STARTING .....	12
7. STORAGE .....	15
8. TROUBLESHOOTING GUIDE .....	16
9. TECHNICAL SPECIFICATION .....	20
10. DECLARATION OF CONFORMITY .....	21
11. DISPOSAL .....	22

# 1. GENERAL SAFETY INSTRUCTIONS

## Important safety warnings

- ✿ Unpack the product carefully and be sure not to throw away any part of the package before having found all components of the product.
- ✿ Keep the product in a dry place out of reach of children.
- ✿ Read all cautions and instructions. The failure to adhere to warning cautions and instructions may result in an accident, fire and/or a serious injury.


## Packaging

The product is placed in a package preventing damage during transport. This package is a raw material therefore it can be handed-over for recycling.

We recommend keeping of the original package including the internal packaging material, purchase receipt as well as the warranty card during the warranty period as minimum. Should the product be transported, pack the device back to the original packaging materials provided by the manufacturer; in such a way, you can secure the maximum product protection during potential transport (e. g. relocation or shipping to the service centre).

## Instructions for use

Before beginning to work with the machine, read the following safety rules and instructions for use. Familiarize with operating elements and the proper use of the device. Keep the manual in a safe place for future reference. We recommend keeping the original package including the inner packaging materials, cash voucher and guarantee card for a period of warranty at minimum. For a case of transportation, pack the machine into the original box from the manufacturer, thus ensuring a maximum protection of the product during a possible transport (e.g. moving or sending into a service station).

-  **Note:** If you hand the machine over to next persons, hand it over together with the manual. Adherence to the attached instructions for use is a precondition for the proper use of the machine. The operation manual includes also instructions for operation, maintenance and repairs.

**The manufacturer does not take any responsibility for accidents or damages resulting from the failure to adhere to this manual.**

## 2. SYMBOLS



To ensure your own safety as well as safety of other persons, read the Instruction Manual attentively prior to the first startup of the high-pressure washer. Keep the Instruction Manual in a safe and practical place to be available when needed. Hand over the Instruction Manual to any other users of the appliance.

Get acquainted properly with all control elements, especially with the features and activities, prior to start of using the appliance. Consult the professional, if needed. Read the Instructional Manual attentively.



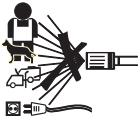
Attention! Should a power cord get damaged or cut, pull the plug from the wall socket immediately.



The appliance is not intended for connection to the potable water feeding system



Class of protection



High-pressure washers can be dangerous if handled inappropriately. Never direct the high-pressure jet to other persons, pets, live electrical equipment or to the washer itself.



This product is made in compliance with approved standards.

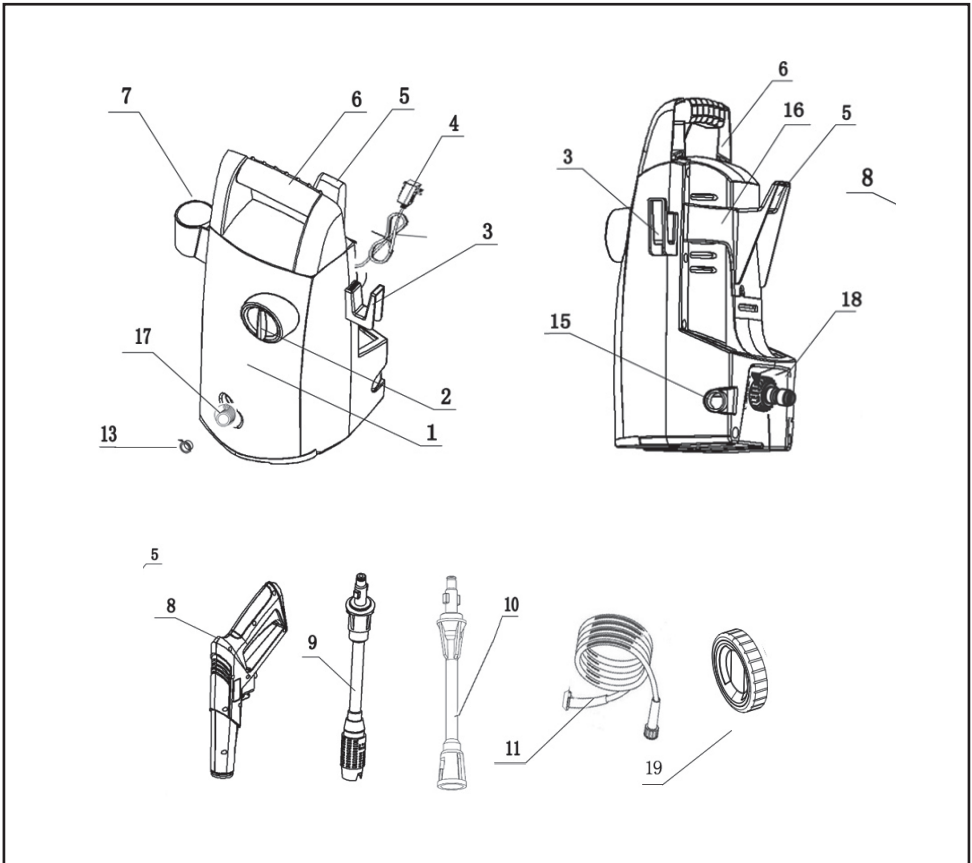


Electrical appliances shall not be disposed in the household waste.



Use ears protection.

### 3. GENERAL DESCRIPTION



- 1 - Motor and Pump in Case
- 2 - ON/OFF switch
- 3 - Cord Wrap
- 4 - Power Supply Cord
- 5 - Hose Holster
- 6 - Carry Handle
- 7 - On-Board Accessory Storage Holsters
- 8 - Spray Gun
- 9 - Variable Spray Nozzle with Lance

- 10 - Variable Spray Nozzle with Lance
- 11 - High-Pressure Hose
- 13 - Shipping Plug
- 15 - Wheel Axis Hole Cover
- 16 - Lance Storage Cover
- 17 - High Pressure Outlet (metal)
- 18 - Water inlet plastic
- 19 - Wheels

## 4. SAFETY INSTRUCTIONS

- ⚠ **ATTENTION!** WARNING High-pressure jets can be dangerous if subject to misuse. Never direct a water stream towards people or any live electrical device including the pressure washer itself.
- ⚠ **ATTENTION!** WARNING Do not use the appliance within range of persons unless they wear protective clothing.
- ⚠ **ATTENTION!** WARNING Do not direct the jet at yourself or others to attempt to clean clothes or footwear.
- ⚠ **ATTENTION!** WARNING Danger of explosion - Do not use flammable liquids.
- ⚠ **ATTENTION!** WARNING Never allow children or untrained persons to use the tool.
- ⚠ **ATTENTION!** WARNING High-pressure hoses, valves and couplings are crucial for the product safety. Use only the hoses, valves and couplings recommended by the manufacturer.
- ⚠ **ATTENTION!** WARNING To secure safety of the device, use only the original spare parts delivered by the manufacturer or approved by him.
- ⚠ **ATTENTION!** WARNING Switch off the tool and pull the plug out of the socket before carrying out any cleaning or maintenance work or converting the machine to another feature.
- ⚠ **ATTENTION!** WARNING Never use the tool if a supply cord or other important parts of the appliance are damaged or missing, e.g. safety devices, high-pressure hoses, trigger gun.
- ⚠ **ATTENTION!** WARNING Inappropriate extension cables can be dangerous. Should an extension cable be used, both the socket and the plug shall be of a waterproof design and the coupled parts shall be kept dry and with no connection with earth. We recommend using of an extension cable drum keeping the socket 60 mm above the ground as minimum.



**⚠ ATTENTION! WARNING**

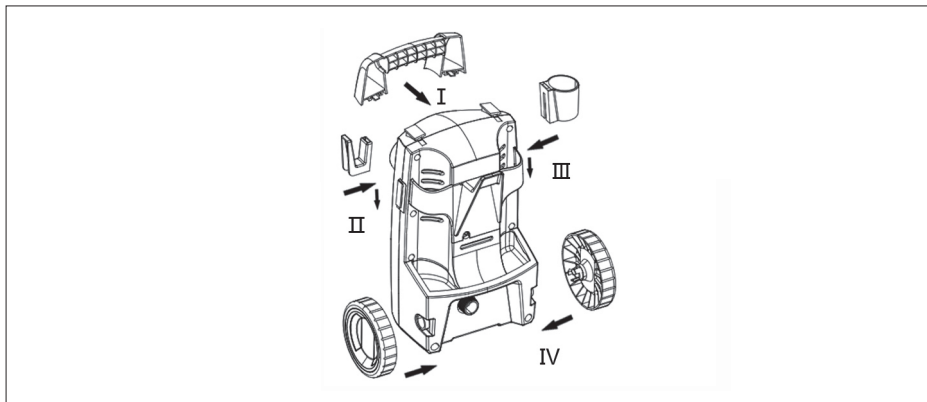
When leaving the device unattended, always turn the power off.

- ✿ Carefully remove the tool and any accessories from the box. Do not discard any of the packing materials until all parts are accounted for.
- ✿ This appliance is not intended for use by persons (including children) with reduced physical, sensory or mental capabilities, or lack of experience and knowledge, unless they have been given supervision or instruction concerning use of the appliance by a person responsible for their safety.
- ✿ Never use any accessories unless delivered together with the product or intended particularly for the appliance.
- ✿ Never repair the appliance yourself; do not modify the appliance - a risk of electrocution is imminent! All repairs and adjustments of the appliance shall be done by the professional company/service. Tampering with the product during the warranty period may void the warranty.
- ✿ Never use the product with wet hands or feet.
- ✿ Operate and keep the product away from flammable and volatile substances.
- ✿ Operate and keep the product away from extreme temperatures, direct sunlight, excessive moisture and do not place it to the excessive dusty environment.
- ✿ Do not place the product in close vicinity of heaters, naked flame and other appliances or equipment generating heat.
- ✿ Never use the product for other than intended purposes.
- ✿ Before inserting the power cord into the socket, check whether the voltage you intend to use complies with that of the machine.
- ✿ Never lay the power cord in the vicinity of hot surfaces or over the sharp objects. Do not place heavy objects on the power cord. Position the cord so that it will not be stepped on or tripped over. Make sure the power cord is not in contact with hot surface.
- ✿ Should the power cord of the product be damaged, have it repaired by an authorized service technician to prevent causing a dangerous situation. It is forbidden to use a product with a damaged power cord or plug.
- ✿ Do not disconnect the power cord from the wall socket by pulling the cord.
- ✿ Do not spray the product with water or any other liquid. Do not power water or any other liquids into the product. Do not submerge the product in water or any other liquid.
- ✿ Never use the product near a bathtub, wash basin or any other container filled with water.
- ✿ If you are not using the product or if you know that you will not be using it soon, turn it off and disconnect the power cord from the wall socket. Proceed in the same way prior to cleaning.

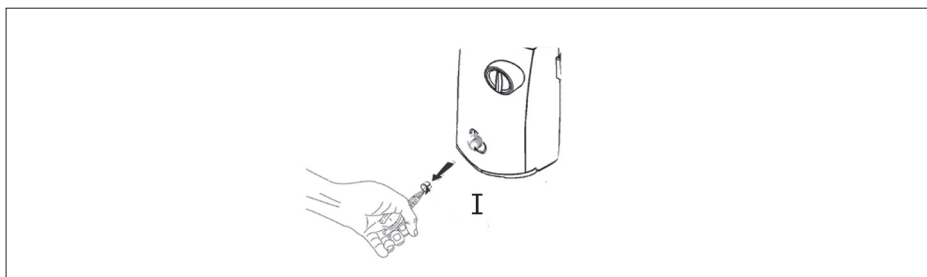
- ✿ Never leave the running product unattended.
- ✿ Allow the product to cool down properly before storing.
- ✿ Pay special attention if the product is used near children. Always keep the product away from children. Supervise the children to be sure they will not use the product as a toy.
- ✿ To increase safety, the electrical installations shall be connected by a qualified electrical engineer. We recommend installing a residual current circuit-breaker (RCCB) with a response time of 30mA/30 ms or a device monitoring the earth circuit (talk to your electrical engineer about the options).
- ✿ Pulling the power cord from the wall socket by force may cause damage.
- ✿ To avoid damage of the hose, do not step on it or bend it by force. Do not use the product with a bent or damaged hose.
- ✿ Do not run over the power cord with the product.
- ✿ The product is equipped with a thermal fuse - if the motor or the pump get overheated, the thermal fuse will turn the appliance off. As soon as the motor or pump cool down, they can be turned on again. Warning!!! To avoid a risk of a sudden recovery of the thermal fuse, the appliance shall not be powered via an external device such as a timer or shall not be connected to a circuit which is periodically turned on and off.
- ✿ High-pressure jet can be dangerous if handled inappropriately. It is forbidden to direct the jet at other people, oneself, pets, electrical appliances or the high-pressure washer itself.
- ✿ Never place the pistol or extension to your ears or eyes.
- ✿ Should you use an extension cable to the power supply network, it shall be of the waterproof design.
- ✿ The manufacturer shall not be liable for damages caused by inappropriate use of the appliance and accessories (injuries, burns, scalding, fire, food spoilage, etc.).

## 5. ASSEMBLY INSTRUCTIONS

- ✿ Locate and remove all loose parts from the carton.
- ✿ Click




- ✿ Remove and discard the shipping plug from the outlet on the front of the machine.



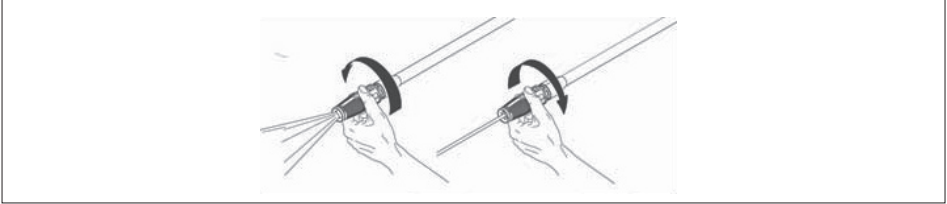
### PRESSURE WASHER OPERATING FEATURES HOW TO USE VARIABLE SPRAY LANCE

#### ⚠ **ATTENTION!** NOTICE:

The powerful spray from your pressure washer is capable of causing damage to surfaces such as wood, glass, automobile paint, auto striping and trim and delicate objects such as flowers and shrubs. Before spraying, check the item to be cleaned to assure that it is strong enough to resist damage from the force of the spray. The 0° pencil stream adjustment is very aggressive. A 20° spray angle is recommended for most cleaning applications to avoid damage to the surface being cleaned.

 **Note:** The pressure of the spray on the surface you are cleaning increases as you move the wand closer to the surface.

The high pressure setting is for cleaning and rinsing,  
For high pressure operation, pull back the name of the variable spray lance.



## 6. STARTING

### **ATTENTION!** DANGER:


Risk of injury from spray. Always engage the trigger lock when gun is not in use. Failure to do so could cause accidental spraying.

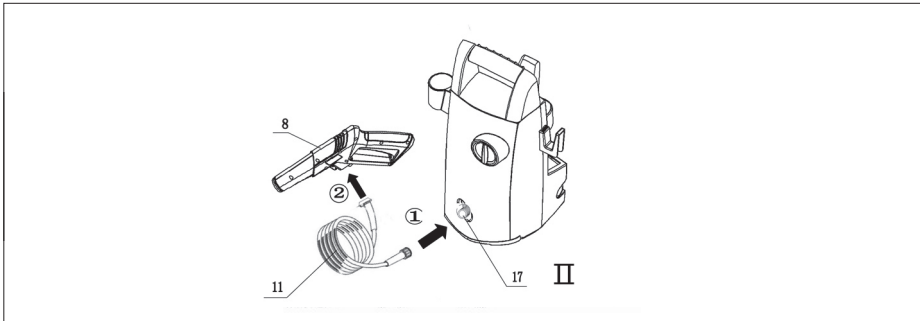
### **ATTENTION!** WARNING


Risk of Injury. Do not direct discharge stream at self or others.

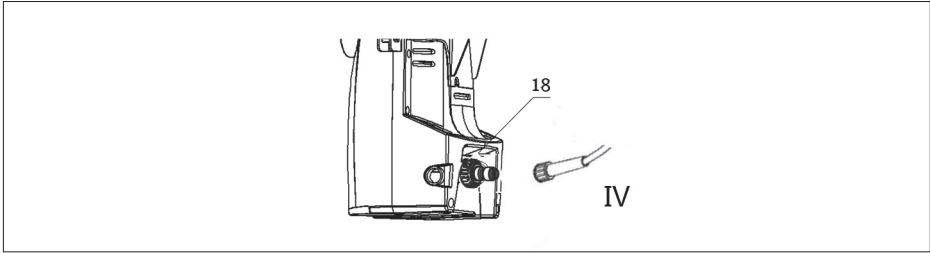
### **ATTENTION!** WARNING

Risk of unsafe operation. Stand on a stable surface and grip gun/ spray wand firmly with both hands.

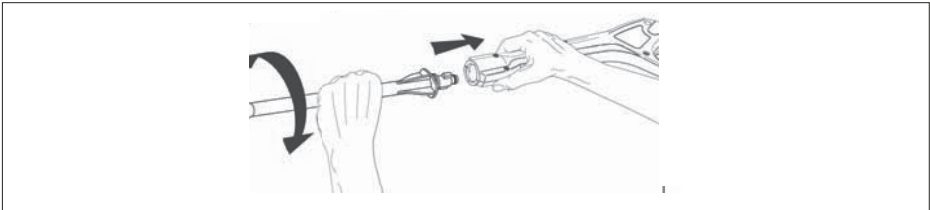
-  Connect the high pressure hose to the machine outlet. Ensure the threads are aligned properly and the connection is secure.



-  Connect the garden hose to the connector on the back of the machine. Before connecting, run water through the garden hose (not supplied) to flush out any foreign matter.



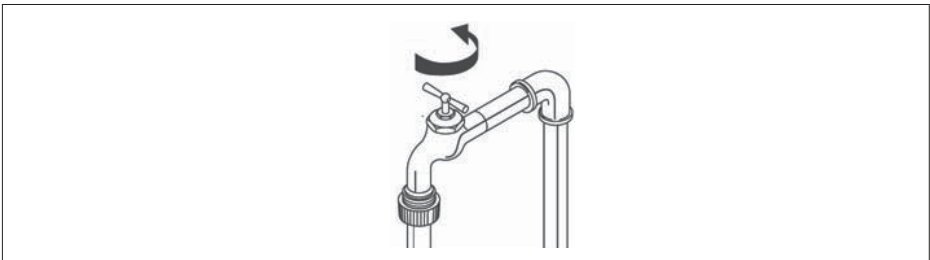
- ✿ Insert the spray lance into the gun by pushing firmly and simultaneously twisting a 1/4 of a turn counter clockwise until locked into place.



**⚠ ATTENTION! WARNING**

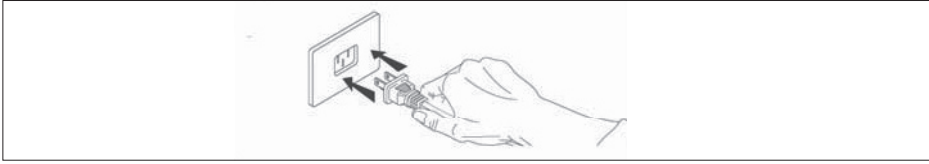
If the lance is not securely locked into place, it could be ejected under high pressure during operation, possibly causing injury or damage.

- ✿ Turn incoming water on and fully open valve to insure maximum water flow to the machine.

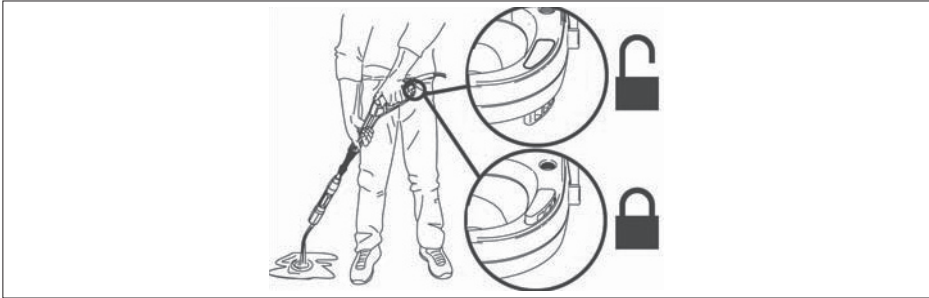


- ✿ Plug the unit into the appropriate electrical outlet.

**📖 Note:** The power supply must be 230V, 50 Hz and a minimum 15 amp dedicated circuit.



- ✿ Ensure the gun safety is unlocked and squeeze the trigger until the air has escaped and a steady flow of low pressure water is coming from the nozzle.



- ✿ Turn switch to ON position. Note that the motor will momentarily start then stop.



- ✿ Squeeze the trigger to start motor and begin pressure washing.
- Note:** The motor only runs when the gun trigger is depressed and water is spraying.

## Shutting down

See Storage section in this manual for proper shutdown and storage procedures.

## 7. STORAGE

### **⚠ ATTENTION!** CAUTION:

Prior to moving the unit, always disconnect the garden hose via the garden hose connector.

### **⚠ ATTENTION!** CAUTION:

Always store your pressure washer in a location where the temperature will not fall below 40 °F (4 °C). The pump in this machine is susceptible to permanent damage if frozen. FREEZE DAMAGE IS NOT COVERED BY THE WARRANTY.

### **End of use and winter storage instructions**

- ✿ When finished applying detergent, thoroughly rinse suction lube and detergent nozzle by placing the suction lube in a container of clear water and running detergent nozzle at maximum flow setting for 30 seconds. This will flush any detergent residue from the suction lube and nozzle.

### **⚠ ATTENTION!** CAUTION:


Failure to clean properly will cause the detergent nozzle to become clogged and inoperable.



- ✿ Turn the machine OFF and squeeze the trigger to release the trapped pressure inside of the machine.
- ✿ Remove both the garden hose and high-pressure hose from the unit.
- ✿ Disconnect the lance from the gun.
- ✿ Turn ON the machine and allow it to run for 5 seconds. (This will clear out most of the water trapped in the pump.)
- ✿ Unplug the machine.
- ✿ Wrap the high-pressure hose and power supply cord onto the hose/cord wrap as shown.
- ✿ Store the machine and accessories in a dry, climate controlled environment. Do not store the machine or accessories in a place where the temperature could drop below 40 °F (4 °C).


## 8. TROUBLESHOOTING GUIDE

OPERATIONAL ISSUE	POSSIBLE CAUSE	SOLUTION
Detergent is not dispensing	Detergent is not pressure washer approved	Use only detergents, degreasers, waxes and other cleaning solutions that are designed specifically for pressure washers. Cleaners in this category will clearly state on the label that they are meant for use in pressure washers. Do NOT use any other type of cleaning solution in your high-pressure washer. Never use bleach, ammonia, any type of acid or hot water in your appliance!
	The suction tube has become disconnected, clogged or kinked	Ensure the suction tube is not damaged and is properly connected to the detergent nozzle. Reconnect, clean or replace the tube as needed.
	Detergent nozzle is clogged with debris	Clean the nozzle according to the instructions provided in the Nozzle paragraph under the Maintenance section of this manual.
Detergent to water ratio		The pressure washer draws detergent at a maximum 10:1 water to detergent ratio. Most pressure washer detergents are concentrated within this range so minimal adjustment of the detergent nozzle metering valve is required. If you feel you are using more detergent than is required for the application, you can dilute the detergent with regular tap water.



Circuit breaker trips or fuse blown in fuse box	Circuit overload	Verify that the circuit is rated at 15 amps or greater. Ensure no other appliance is drawing power from the same circuit (dedicated circuit).
	Extensor Cord too long or wire gauge too small  Nozzle partially blocked	We do not recommend using of extension cords with your high-pressure washer. If you must use an extension cord, verify that it meets the minimum requirements listed in the Extension Cord paragraph under the Power Supply & Electrical info in this manual. Clean the nozzle according to the instructions provided in the Nozzle paragraph under the Maintenance section of this manual.
Spray gun, lance or high pressure hose leaking water	Improperly connected accessory	Verify all components (gun, lance, high pressure hose) are properly connected according to Instructions provided in this manual.
Low / surging pressure or motor does not stop when spray gun trigger is released  <b>Note:</b> The Pressure washer is NOT receiving full volume of incoming water The machine requires pressurized water source capable of sustaining a minimum of 20 psi at 5 gpm.	Faucet is not fully open	Verify incoming water supply faucet is open at the maximum setting.
	Garden hose is too long or it is kinked / restricted	Use a maximum garden hose length of 50 ft. (15,2 m) (city water) or 25 ft. (7,5 m) (well water). Ensure the garden hose is laid out flat and does not have any kinks or leaks. Unwrap garden hose from reel or hook (if applicable). Replace garden hose if necessary.
	Water inlet filter screen is clogged	Remove the filter screen (O) from the water inlet (M) and clean it thoroughly. Replace the filter screen.
	Extension cord is too long or wire gauge is too small	We do not recommend using of extension cords with your high-pressure washer. If you must use an extension cord, verify that it meets the minimum requirements listed in the Extension Cord paragraph under the Power Supply & Electrical info in this manual.

No water coming out of nozzle	Nozzle is clogged	Clean the nozzle according to the instructions provided in the Nozzle paragraph under Maintenance section of this manual.
	Water inlet filter screen is clogged	Remove filter screen (O) from the water inlet (M) and clean it thoroughly. Replace the filter screen.
	Kink in the garden hose or hose is wrapped on a storage wheel	Use a maximum garden hose length of 50 ft. { 15,2 m (city water) or 25 ft. (7.6 m) (well water)}. Ensure the garden hose is laid flat and does not have any kinks or leaks. Unwrap garden hose from reel or hook (if applicable). Replace garden hose if necessary.
Spray Gun Trigger will NOT Move	Gun safety lock is engaged	Release safety lock according to instructions provided in the Starting paragraph under Operation in this manual.
Unit will NOT start  <b>Note:</b> Unit will only start and run when trigger is depressed and water is spraying!	Unit is not turned ON	Verify that the ON/OFF switch is fully engaged in the ON position.
Motor stops working during normal operation  <b>Note:</b> Motors thermal overload switch tripping the motor is overheated  Allow the motor to cool for 20 minutes before troubleshooting and the switch will automatically reset	Extension cord is too long or wire-gauge is too small	We do not recommend using of extension cords with your high-pressure washer. If you must use an extension cord, verify that it meets the minimum requirements listed in the Extension Cord paragraph under the Power Supply & Electrical info in this manual.
	Defective Spray Gun	Clean the nozzle according to the instructions provided in the Nozzle paragraph under Maintenance section of this manual.

<p>Connecting and Disconnecting the Spray Lance</p> <p> <b>Note:</b> Due to the high pressures produced by your pressure washer, the lance must seal lightly to the gun. As the result of normal operation the lance can become difficult to attach or remove and this process may require considerable force.</p>		<p><b>To attach the Lance</b> - apply steady downward pressure on the lance (in the direction of the trigger) while simultaneously twisting the lance 90° counter clockwise. It may help if you set the gun vertically on a flat surface with the lance pointing upwards. The two tabs on the end of the lance must be fully inserted in the gun before the lance will twist and lock. If this does not work then remove the bayonet o-ring from the end of the lance and attach the lance to the gun without the o-ring in place. You will need to replace the o-ring.</p>
		<p><b>To remove the Lance</b> - release any trapped pressure in the gun &amp; hose by turning the unit OFF and squeezing the gun trigger. Apply steady downward pressure on the lance (in the direction of the trigger) while simultaneously twisting the lance 90° clockwise. It may help if you set the gun vertically on a flat surface with the lance pointing upwards.</p>

## 9. TECHNICAL SPECIFICATIONS

Nominal voltage	230 V
Nominal frequency	50 Hz
Nominal power input	1200 W
Nominal pressure	6 MPa
Maximum pressure	9 Mpa
Nominal flow rate	5.5L/ min.
Maximum flow rate	6.5L/ min.
Maximum feed water temperature	40°C
Hose length	3 m
Operating range	8 m
Internal protectio	II.
Power cord length	5M
Dimensions (width x depth x height)	265 x 260 x 430 mm
Weight without accessories	5,7 kg
Weight with accessories	6,5 kg
Maximum water inlet pressure in pascals	0.69 MPa
Minimum water inlet pressure in pascals in case it is necessary for correct operation of appliance	0.14 MPa
Sound pressure level (Lpa)	85 dB
Sound power level, measured (Lwa)	97 dB

Vibration: Ah = 0.5 ms<sup>2</sup>, K=1.5 ms<sup>2</sup>

The appliance shall be connected to the power supply systems of the Z max impedance in the place of connection (a household connection) up to 0.0277 ohms. The user shall be responsible for connecting the appliance to the power supply networks which complies with the above mentioned requirement. You can inform about the system impedance at the local power distributor´s office, if necessary.

Changes of the text and technical specifications reserved.

The User´s Manual is in a specific language version.

# 10. DECLARATION OF CONFORMITY

**Product / Name:** HIGH-PRESSURE WASHER / FIELDMANN

**Type / Model:** FDW 2004-E, FDW 201201-E..... 230V / 50Hz / 1 200W

**The product complies with the following directives:**

- \* The Directive of the European Parliament and the Council No. 2014/35/EU on the harmonisation of the laws of Member States relating to electrical equipment designed for use within certain voltage limits.
- \* The Directive of the European Parliament and the Council No. 2014/30/EU dated 15 December 2004 on the harmonisation of the laws of the Member States relating to electromagnetic compatibility and repealing Directive No. 89/336/EEC.
- \* The Directive of the European Parliament and the Council No. 2006/42/EC dated 17 May 2006 on machinery, and amending Directive No. 95/16/EC.
- \* The Directive of the European Parliament and the Council No. 2011/65/EU dated 27 January 2003 on the restriction of the use of certain hazardous substances in electrical and electronic equipment.
- \* The Directive of the European Parliament and the Council No. 2005/88/EC dated 14 December 2005 amending Directive No. 2000/14/EC on the harmonisation of the laws of the Member States relating to the noise emission in the environment by equipment for use outdoors.

**and standards:**

- \* EN 55014-1: 2006 + A1: 2009 + A2: 2011
- \* EN 55014-2: 1997 + A1: 2001 + A2: 2008
- \* EN 61000-3-2: 2006 + A1: 2009 + A2: 2009
- \* EN 61000-3-3: 2013
- \* EN 60335-1: 2012
- \* EN 60335-2-79: 2012
- \* EN 62233: 2008

**CE Certification** ..... 16

FAST ČR, a.s. is authorised to act on behalf of the manufacturer.

**Manufacturer:**

FAST ČR, a.s.  
 Černokostelecká 2111, 100 00 Praha 10, Czech Republic  
 Tax ID:: CZ26726548

In Prague, 17. 11. 2016  
 Name: Zdeněk Pech  
 Chairman of Board

**FAST** FAST ČR, a.s.  
 Černokostelecká 1621, 251 01 Říčany  
 IČO: 26726548 tel.: +420/ 323 204 111  
 DIČ: CZ26726548 fax: +420/ 323 204 110



Signature and stamps:

# 11. DISPOSAL

## **INSTRUCTIONS AND INFORMATION ON DISPOSAL OF USED PACKAGING.**

Put any used package material to the place determined by the municipality for waste disposal.

## **DISPOSAL OF USED ELECTRIC AND ELECTRONIC EQUIPMENT**



This symbol on products or accompanying documents means that used electric or electronic products must not be put to ordinary municipal waste. Hand over such products to determined collection points for proper disposal, restoration and recycling. Alternatively, in some countries of the European Union or other European countries you can return your products to your local dealer when you buy an equivalent new product. By dutiful disposal of this product you can preserve precious natural resources and you help prevent any potential adverse effects on the environment and human health which could be the results of wrong waste disposal. Ask your local authority or the nearest collection point for additional details. In case of improper disposal of this waste kind penalties can be imposed in accordance with national regulations.

### **For companies in the European Union countries**

Should you want to dispose of electric and electronic devices, ask your dealer or vendor for necessary information.

### **Disposal in other countries outside the European Union**

Should you want to dispose of this product, ask your local authorities or your dealer for necessary information about disposal method.



This product fulfils all basic requirements of the EU directives that apply to it.

Text, design and technical specifications can change without prior notice and we reserve the right for their change.







# Vysokotlaký čistič

## NÁVOD K OBSLUZE

**Děkujeme vám, že jste si zakoupili tento vysokotlaký čistič. Než ho začnete používat, přečtěte si, prosím, pozorně tento návod k obsluze a uschovejte jej pro případ dalšího použití.**

## OBSAH

1. VŠEOBECNÉ BEZPEČNOSTNÍ PŘEDPISY .....	26
2. SYMBOLY .....	27
3. VŠEOBECNÝ POPIS .....	29
4. BEZPEČNOSTNÍ POKYNY .....	30
5. MONTÁŽNÍ POKYNY .....	33
6. SPUŠTĚNÍ .....	34
7. USKLADNĚNÍ .....	37
8. PRŮVODCE ODSTRAŇOVÁNÍM PROBLÉMŮ .....	38
9. TECHNICKÉ ÚDAJE .....	42
10. PROHLÁŠENÍ O SHODĚ .....	43
11. LIKVIDACE .....	44

# 1. VŠEOBECNÉ BEZPEČNOSTNÍ PŘEDPISY

## Důležitá bezpečnostní upozornění

- ✿ Výrobek pečlivě vybalte a dejte pozor, abyste nevyhodili žádnou část obalového materiálu dříve, než najdete všechny součásti výrobku.
- ✿ Výrobek uchovávejte na suchém místě mimo dosah dětí.
- ✿ Čtete všechna upozornění a pokyny. Zanedbání při dodržování varovných upozornění a pokynů mohou mít za následek úraz elektrickým proudem, požár a/nebo těžká poranění.

## Obal

Výrobek je umístěn v obalu bránícím poškozením při transportu. Tento obal je surovinou a lze jej proto odevzdat k recyklaci.

Minimálně po dobu záruk doporučujeme uschovat originální obal včetně vnitřního balicího materiálu, pokladní doklad a záruční list. V případě přepravy zabalte přístroj zpět do originální krabice o výrobce, zajistíte si tak maximální ochranu výrobku při případném transportu (např. stěhování nebo odeslání do servisního střediska).

## Návod k použití

Než začnete se strojem pracovat, přečtěte si následující bezpečnostní předpisy a pokyny k používání. Seznamte se s obslužnými prvky a správným používáním zařízení. Návod pečlivě uschovejte pro případ pozdější potřeby. Minimálně po dobu záruky doporučujeme uschovat originální obal včetně vnitřního balicího materiálu, pokladní doklad a záruční list. V případě přepravy zabalte stroj zpět do originální krabice od výrobce, zajistíte si tak maximální ochranu výrobku při případném transportu (např. stěhování nebo odeslání do servisního místa).

 **Poznámka:** Předáváte-li stroj dalším osobám, předejte jej společně s návodem.

Dodržování přiloženého návodu k obsluze je předpokladem řádného používání stroje.

Návod k obsluze obsahuje rovněž pokyny pro obsluhu, údržbu a opravy.

**Výrobce nepřebírá odpovědnost za nehody nebo škody vzniklé následkem nedodržování tohoto návodu.**

## 2. SYMBOLY



Přečtěte si pozorně před prvním uvedením do provozu pro Vaši vlastní bezpečnost a pro bezpečnost ostatních, tento návod na obsluhu předtím, než vysokotlakou myčku použijete. Tento návod dobře uschovejte a předejte jej každému dalšímu uživateli, aby byly tyto informace kdykoliv k dispozici.

Před zahájením práce se dobře seznamte se všemi ovládacími elementy, zejména s funkcemi a činnostmi. Informujte se případně u odborníka. Čtete pozorně tuto uživatelskou příručku.



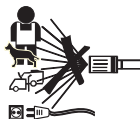
**Pozor!** Při poškození anebo přeseknutí síťového kabelu ihned vytáhněte zástrčku ze síťové zásuvky.



Přístroj není určen k připojení k zařízení k zásobování pitnou vodou.



Ochranná třída.



Vysokotlaké myčky mohou být při nesprávném používání nebezpečné. Proud vody nesmí být namířený na osoby, zvířata, na aktivní elektrickou výstroj anebo na samotné zařízení.



Tento produkt je vyroben v souladu se schválenými normami.

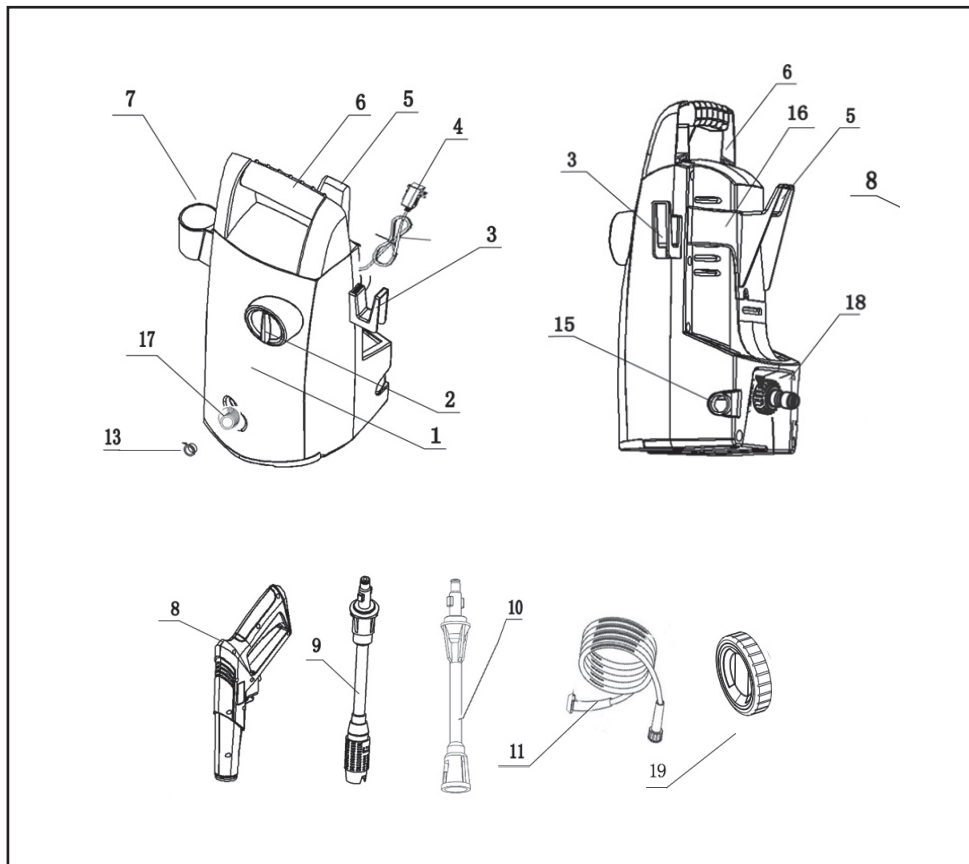


Elektrické přístroje nepatří do domácího odpadu.



Použijte ochranu sluchu.

### 3. VŠEOBECNÝ POPIS



- 1 - Motor a čerpadlo v pouzdře
- 2 - Spínač ZAPNUTO / VYPNUTO
- 3 - Držák vysokotlaké hadice/kabelu
- 4 - Napájecí kabel
- 5 - Držák vysokotlaké hadice
- 6 - Rukojeř
- 7 - Držák příslušenství
- 8 - Stříkácí pistole
- 9 - Variabilní stříkácí tryska s násadcem

- 10 - Variabilní stříkácí tryska s násadcem
- 11 - Vysokotlaká hadice
- 13 - Převravní zátka
- 15 - Kryt otvoru pro kola
- 16 - Držák trysky
- 17 - Vysokotlaký výstupní otvor (kovový)
- 18 - Vstupní otvor pro vodu (plastový)
- 19 - Kola

## 4. BEZPEČNOSTNÍ POKYNY

### ⚠ **POZOR!** VAROVÁNÍ!

Vysokotlaké trysky mohou být nebezpečné, jestliže jsou nesprávně používány. Tryska nesmí směřovat na osoby, elektrické zařízení pod proudem nebo na vlastní stroj.

### ⚠ **POZOR!** VAROVÁNÍ!

Nepoužívat stroj v dosahu osob, pokud nemají ochranný oblek.

### ⚠ **POZOR!** VAROVÁNÍ!

Nesměřovat trysku proti sobě nebo jiným osobám za účelem čištění oděvů nebo obuvi.

### ⚠ **POZOR!** VAROVÁNÍ!

Nebezpečí výbuchu – Nepoužívat hořlavé kapaliny.

### ⚠ **POZOR!** VAROVÁNÍ!

Vysokotlaké čističe nesmějí používat děti nebo neproškolené osoby.

### ⚠ **POZOR!** VAROVÁNÍ!

Vysokotlaké hadice, armatury a spojky jsou důležité pro bezpečnost stroje. Používat pouze hadice, armatury a spojky doporučené výrobcem.

### ⚠ **POZOR!** VAROVÁNÍ!

Aby byla zajištěna bezpečnost stroje, používat pouze originální náhradní díly od výrobce nebo díly schválené výrobcem.

### ⚠ **POZOR!** VAROVÁNÍ!

že stroj se musí odpojit od zdroje napájení při čištění nebo údržbě a při výměně částí nebo přestavbě na jinou funkci, v případě strojů napájených ze sítě vytažením vidlice ze zásuvky;

### ⚠ **POZOR!** VAROVÁNÍ!

stroj, pokud jsou napájecí přívod nebo důležité části stroje, např. bezpečnostní zařízení, vysokotlaké hadice, spouštěcí zařízení, poškozeny.

### ⚠ **POZOR!** VAROVÁNÍ!

Neodpovídající prodlužovací přívody mohou být nebezpečné. Používá-li se prodlužovací přívod, musí být vidlice i zásuvka ve vodotěsném provedení a spojení se musí udržovat v suchu a bez spojení se zemí. Doporučuje se, aby toto bylo provedeno pomocí navijáku přívodu, který udržuje zásuvku nejméně 60 mm nad zemí.

**⚠ POZOR! VAROVÁNÍ!**

Vždy vypnout hlavní vypínač, ponecháte-li stroj bez dozoru.

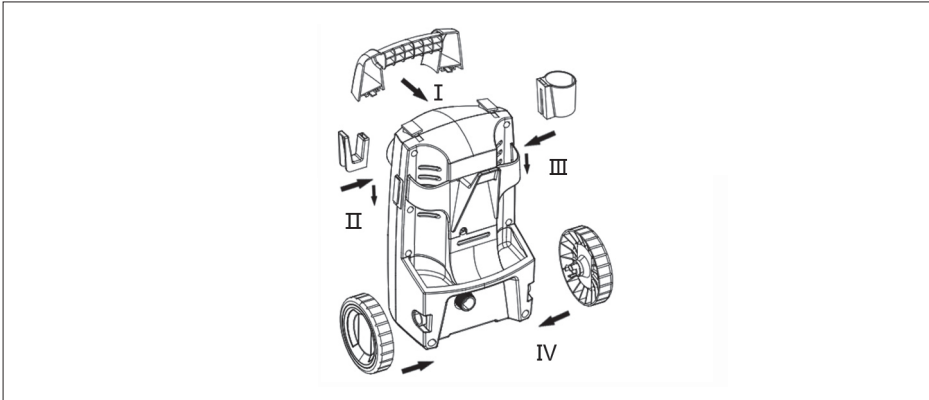
- ✿ Výrobek pečlivě vybalte a dejte pozor, abyste nevyhodili žádnou část obalového materiálu dřívě, než najdete všechny součásti výrobku.
- ✿ Tento výrobek není určen pro osoby (včetně dětí) se sníženou fyzickou, smyslovou nebo mentální schopností nebo osoby s omezenými zkušenostmi a znalostmi, pokud nad nimi není veden odborný dohled nebo podány instrukce zahrnující použití tohoto výrobku osobou odpovědnou za jejich bezpečnost.
- ✿ Nikdy nepoužívejte příslušenství, které není dodáváno s tímto výrobkem nebo pro něj není určeno.
- ✿ V žádném případě neopravuje výrobek sami a neprovádějte na něm žádné úpravy - nebezpečí úrazu elektrickým proudem! Veškeré opravy a seřízení tohoto výrobku svěřte odborné firmě /servisu. Zásahem do výrobku během platnosti záruky se vystavujete riziku ztráty záručních plnění.
- ✿ Nikdy nepoužívejte výrobek, pokud máte mokré ruce nebo nohy.
- ✿ Výrobek používejte a uchovávejte mimo dosah hořlavých a těkavých látek.
- ✿ Výrobek nevystavujte extrémním teplotám, přímému slunečnímu záření, nadměrné vlhkosti a neumísťujte jej do nadměrně prашného prostředí.
- ✿ Výrobek neumísťujte do blízkosti topných těles, otevřeného ohně a jiných spotřebičů nebo zařízení, která jsou zdroji tepla.
- ✿ Nepoužívejte výrobek k jiným účelům, než pro které je určen.
- ✿ Před připojením výrobku k síťové zásuvce se ujistěte, že napětí uvedené na štítku výrobku odpovídá napětí ve vaší zásuvce.
- ✿ Nepokládejte síťový kabel v blízkosti horkých ploch nebo přes ostré předměty. Na síťový kabel nepokládejte těžké předměty, kabel umístěte tak, aby se po něm nešlapalo a aby se o něj nezakopávalo. Dbejte na to, aby se síťový kabel nedotýkal horkého povrchu.
- ✿ Pokud je síťový kabel výrobku poškozen, jeho výměnu svěřte odbornému servisu nebo podobně kvalifikované osobě, aby se zabránilo vzniku nebezpečné situace. Výrobek s poškozeným síťovým kabelem nebo vidlicí síťového kabelu je zakázáno používat.
- ✿ Nevytahujte zástrčku přívodu z el. zásuvky tahem za napájecí přívod.
- ✿ Výrobek nepostříkujte vodou ani jinou tekutinou. Do výrobku nelijte vodu ani jiné tekutiny. Výrobek neponořujte do vody nebo jiné tekutiny.
- ✿ Výrobek nikdy nepoužívejte v blízkosti vany, umyvadla nebo jiných nádob s napuštěnou vodou.

- ✿ Pokud výrobek právě nepoužíváte nebo nebudete používat, vypněte jej a vytáhněte zástrčku z el. zásuvky. Před čištěním postupujte stejným způsobem.
- ✿ Výrobek nikdy nenechávejte v chodu bez dozoru.
- ✿ Před každým uložením nechte výrobek dokonale vychladnout.
- ✿ Pokud bude výrobek používán v blízkosti dětí, dbejte zvýšené opatrnosti. Výrobek vždy umísťujte mimo jejich dosah. Děti by měly být pod dozorem, aby se zajistilo, že si s výrobkem nebudou hrát.
- ✿ Přívod elektrické energie musí být proveden kvalifikovaným elektrotechnikem, doporučuje se aby byl přívod el. energie vybaven buď proudovým chráničem s vybavovací schopností 30mA/30ms ,nebo zařízením hlídajícím uzemňovací obvod (informujte se u svého elektroinstalátora o možnostech instalace).
- ✿ Násilné tahání za síťový kabel může způsobit jeho poškození.
- ✿ Abyste se vyhnuli poškození hadice, nešlapejte na ni ani ji nepřehýbejte násilím. Výrobek nepoužívejte se zlomenou nebo jinak poškozenou hadicí.
- ✿ Nepřejíždějte síťový kabel výrobkem.
- ✿ Tento výrobek je vybaven tepelnou pojistkou - dojde-li k přehřátí motoru nebo čerpadla, tepelná pojistka přístroj vypne. Jakmile se motor nebo čerpadlo ochladí, výrobek je možné opět spustit. Upozornění!!! Aby se zabránilo nebezpečí vlivem náhlého znovunastavení tepelné pojistky, nesmí být tento spotřebič napájen přes externí spínací zařízení takové, jako je časový spínač, nebo nesmí být připojen k obvodu , jehož vlastností je pravidelné zapínání a vypínání.
- ✿ Vysokotlaký proud může být v případě nesprávného použití nebezpečný. je zakázáno otáčet proud na jiné osoby, sebe sama, zvířata, elektrická zařízení nebo vysokotlaký čistič.
- ✿ Pistoli ani nástavec nikdy nepřikládejte k očím ani uším.
- ✿ Pokud je nutné použít prodlužovací kabel k síťovému přívodu, musí mít tento kabel vodotěsnou konstrukci.
- ✿ Výrobce neodpovídá za škody způsobené nesprávným použitím spotřebiče a jeho příslušenství (poranění, popálení, opaření, požár, znehodnocení potravin atd.)

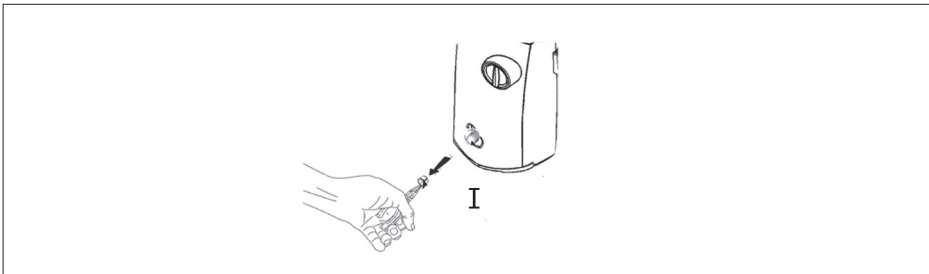


## 5. MONTÁŽNÍ POKYNY

- ✿ Najděte a vyjměte z krabice všechny jednotlivé části.
- ✿ Zacvakněte



- ✿ Sejměte a zlikvidujte přepravní zátku z výstupního otvoru v přední části zařízení.



### PROVOZNÍ PRVKY TLAKOVÉ MYČKY JAK POUŽÍVAT VARIABILNÍ STŘÍKACÍ NÁSADEC

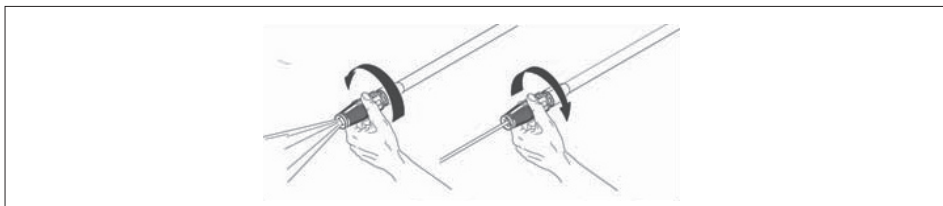
#### ⚠ POZOR! VAROVÁNÍ!

Mocný vodní paprsek z Vaší tlakové myčky může poškodit povrchy jako např. dřevo, sklo, automobilový lak, automobilové doplňky a lišty a choulostivé předměty jako např. květiny a keře. Před stříkáním se přesvědčte, zda je předmět, který má být čištěn, dostatečně odolný proti poškození silou vodního paprsku. Nastavení vodního paprsku na 0° nitkový proud je velmi agresivní. Úhel vodního paprsku 20° se doporučuje pro většinu čistících úkonů, aby nedošlo k poškození čistěného povrchu.

**Poznámka:** Tlak vodního paprsku na povrch, který čistíte, se zvyšuje s tím, jak přibližujete násadec k čištěnému povrchu.

Nastavení s vysokým tlakem je určeno k mytí a oplachování.

Chcete-li pracovat s vysokým tlakem, přitáhněte zpět trysku variabilního stříkacího násadce.



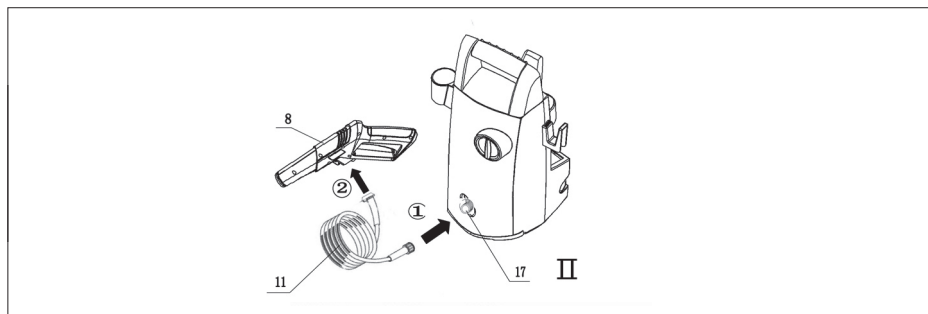
## 6. SPUŠTĚNÍ

**⚠ POZOR!** Nebezpečí úrazu vodním paprskem. Není-li pistole používána, aktivujte vždy pojistku. V opačném případě může dojít k náhodnému spuštění vodního paprsku.

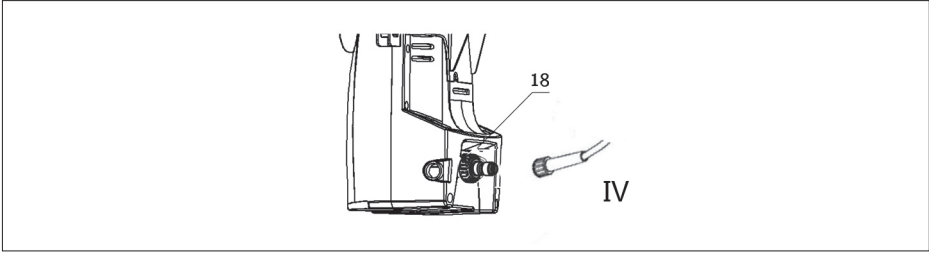
**⚠ POZOR!** Nebezpečí úrazu. Nemiřte vycházející proud vody na sebe ani na jiné.

**⚠ POZOR!** Riziko nebezpečného provozu. Stůjte na stabilním povrchu a držte pistoli / stříkací násadec pevně oběma rukama.

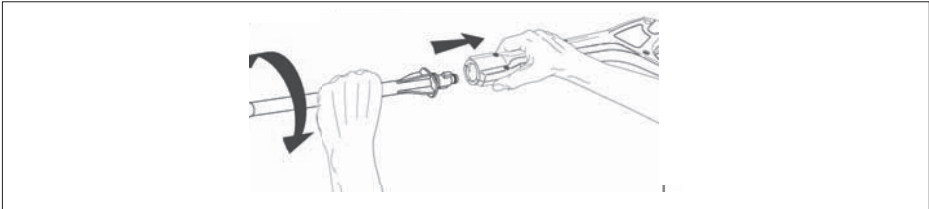
✿ Připojte vysokotlakou hadici k výstupnímu otvoru zařízení. Dbejte, aby závitů správně dosedaly a aby bylo připojení bezpečné.



✿ Připojte zahradní hadici ke k připojce na zadní straně zařízení. Před připojením propláchněte zahradní hadici (není součástí dodávky) vodou, aby se vyplavily jakékoli cizí předměty.

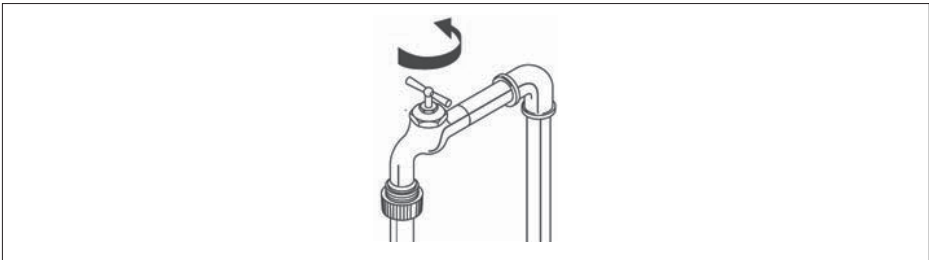


- ✿ Vložte do pistole stříkací násadec tak, že na něj budete tlačit a současně s ním otáčet o 1/4 otáčky proti směru hodinových ručiček, dokud nedojde k jeho aretaci.

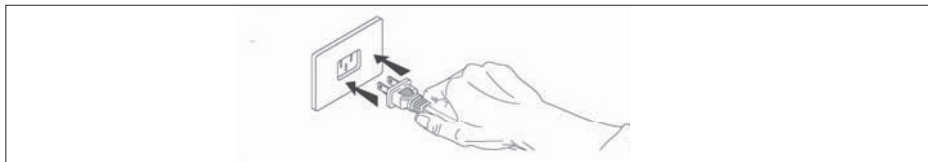


- ⚠ **POZOR!** Není-li násadec bezpečně aretován, mohl by být během provozu v důsledku vysokého tlaku katapultován a způsobit úraz nebo škodu.

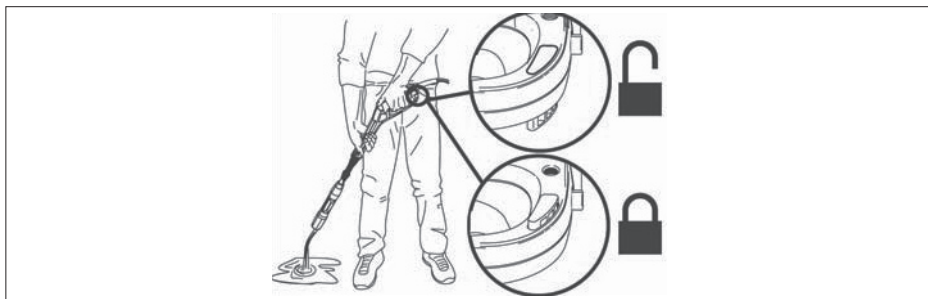
- ✿ Zapněte přívodní vodu a otevřete naplno kohoutek pro zajištění maximálního průtoku vody do zařízení.



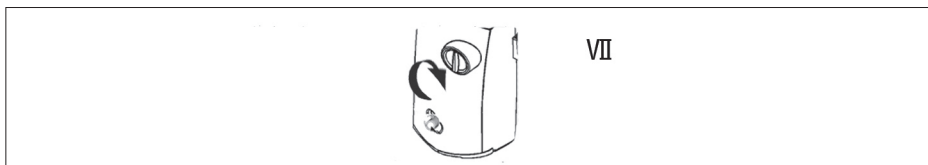
- ✿ Připojte zařízení ke vhodné elektrické zásuvce.



- \* Přesvědčte se, že je odjištěna pojistka pistole a stiskněte spoušť, dokud neunikne vzduch a z trysky nezačne vycházet rovnoměrný proud nízkotlaké vody.



- \* Otočte spínačem do polohy ZAPNUTO. Všimněte si, že se motor na krátkou dobu spustí a pak zastaví.



- \* Stiskněte spoušť pro spuštění motoru a začněte provádět tlakové mytí.
- Poznámka:** Motor běží pouze tehdy, je-li stlačena spoušť a stříká voda.

## Vypnutí

Informace o postupech pro správné vypnutí a uložení zařízení jsou uvedeny v části Skladování tohoto návodu.


## 7. SKLADOVÁNÍ

**⚠ POZOR!** Před přenášením zařízení vždy odpojte zahradní hadici pomocí spojky zahradní hadice.

**⚠ POZOR!** Tlakovou myčku vždy skladujte na místě, kde teplota neklesne pod 40° F (4° C). Čerpadlo tohoto zařízení je v případě mrazu náchylné k trvalému poškození. **ZÁRUKA SE NEVZTAHUJE NA POŠKOZENÍ MRAZEM.**

### POKYNY PŘI UKONČENÍ POUŽÍVÁNÍ A SKLADOVÁNÍ V ZIMĚ

☼ Po skončení používání čistícího prostředku důkladně opláchněte sací trubici a trysku čistícího prostředku tím, že vložíte sací trubici do nádoby s čistou vodou a necháte trysku čistícího prostředku běžet při maximálním průtoku po dobu 30 sekund. Tím dojde k vyplavení veškerých zbytků čistícího prostředku ze sací trubice a trysky.

 **Poznámka:** Neprovedete-li důkladné vyčištění, může dojít k ucpaní trysky čistícího prostředku a tato se může stát nefunkční.

☼ VYPNĚTE zařízení a stiskněte spoušť za účelem vypuštění zbylého tlaku uvnitř zařízení.

☼ Sejměte ze zařízení zahradní hadici i vysokotlakou hadici.

☼ Sejměte násadec z pistole.

☼ ZAPNĚTE zařízení a nechte je běžet po dobu 5 sekund. (Tím dojde k vypuštění většiny vody, která zůstala v čerpadle).


☼ Odpojte zařízení od přívodu elektrického proudu.



☼ Smotejte vysokotlakou hadici a napájecí kabel na navíječ hadice/kabelu dle obrázku.

☼ Uložte zařízení a příslušenství na suchém, klimatizovaném místě. Neskladujte zařízení nebo příslušenství na místě, kde může teplota klesnout pod 40° F (4° C).


## 8. PRŮVODCE ODSTRAŇOVÁNÍM PROBLÉMŮ

PROVOZNÍ PROBLÉM	MOŽNÁ PŘÍČINA	ŘEŠENÍ
Není dávkován čisticí prostředek	Čisticí prostředek není schválen pro danou tlakovou myčku	Používejte pouze čisticí prostředky, odmašťovače, vosky a jiné čisticí roztoky, které jsou určeny speciálně pro tlakové myčky. Čističe v této kategorii mají na štítku zřetelně uvedeno, že nejsou určeny pro použití v tlakových myčkách. <b>NEPOUŽÍVEJTE</b> do Vaší tlakové myčky žádný jiný typ čisticího roztoku. Nikdy do Vašeho zařízení nepoužívejte bělicí prostředky, čpavek nebo jakýkoli druh kyseliny!
	Došlo k odpojení, zahlcení nebo překroucení sací trubice	Dbejte, aby sací trubice nebyla poškozena a aby byla řádně připojena k trysce čisticího prostředku. Dle potřeby trubici odpojte, vyčistěte a znovu připojte.
	Tryska čisticího prostředku je zahlcena nečistotami	Vyčistěte trysku dle pokynů v odstavci Tryska v části Údržba tohoto návodu.
Poměr čisticího prostředku a vody		Tlaková myčka odebírá čisticí prostředek maximálně v poměru 10:1 vody a čisticího prostředku. Většina čisticích prostředků pro tlakové myčky má koncentraci v tomto intervalu, takže není třeba provádět složité nastavení měřicího ventilu trysky čisticího prostředku. Máte-li pocit, že používáte více čisticího prostředku než je pro dané použití zapotřebí, můžete čisticí prostředek naředit normální vodou z vodovodu.

Došlo k sepnutí jističe nebo přepálení pojistky v pojistkové skříni	Přetížený elektrický obvod	Zkontrolujte, zda je elektrický obvod dimenzován na hodnotu 15 ampérů nebo vyšší. Dbejte, aby ke stejnému obvodu nebyly připojeny žádné jiné spotřebiče (vyhrazený okruh).
	Příliš dlouhý prodlužovací kabel nebo příliš malý průřez vodiče	Nedoporučujeme použití prodlužovacího kabelu u Vaší tlakové myčky. Musíte-li prodlužovací kabel použít, zkontrolujte, zda splňuje minimální požadavky uvedené v odstavci Prodlužovací kabel v části Informace o zdroji napájení a elektrické části v tomto návodu.
Unikající voda ze stříkácí pistole, násadce nebo vysokotlaké hadice	Nesprávně připojené příslušenství	Zkontrolujte, zda jsou všechny součásti (pistole, násadec, vysokotlaká hadice) správně připojeny dle pokynů uvedených v tomto návodu.
Nízký / nestabilní tlak nebo nedojde k zastavení motoru při uvolnění stříkácí pistole  <b>Poznámka:</b> Tlaková myčka NEDOSTÁVÁ plný objem přiváděné vody. Zařízení vyžaduje zdroj tlakové vody s kapacitou alespoň 20 psi při průtoku 20 galonů za minutu.	Vodovodní kohoutek není plně otevřen	Zkontrolujte, zda je maximálně otevřen kohoutek zdroje přiváděné vody.
	Zahradní hadice je příliš dlouhá nebo je zkroucená / zúžená	Použijte maximální délku zahradní hadice 50 stop (15,2 m)(voda z městského vodovodu) nebo 25 stop (7,5 m)(voda ze studně). Dbejte, aby byla zahradní hadice položena rovně a nebyly na ní žádné smyčky nebo aby z ní neunikala voda. Zahradní hadici případně odvíjejte z cívky nebo z háku. V případě potřeby hadici vyměňte.
	Vstupní vodní filtr je ucpaný	Vyjměte sítko filt u (O) z přívodu vody (M) a důkladně je vyčistěte. Vyměňte sítko filt u.
	Příliš dlouhý prodlužovací kabel nebo příliš malý průřez vodiče	Nedoporučujeme použití prodlužovacího kabelu u Vaší tlakové myčky. Musíte-li prodlužovací kabel použít, zkontrolujte, zda splňuje minimální požadavky uvedené v odstavci Prodlužovací kabel v části Informace o zdroji napájení a elektrické části v tomto návodu.

Z trysky nevychází voda	Tryska je ucpaná	Vyčistěte trysku dle pokynů uvedených v odstavci Tryska v části Údržba tohoto návodu.
	Vstupní vodní filtr je ucpaný	Vyjměte sítko filt u (O) z přívodu vody (M) a důkladně je vyčistěte. Vyměňte sítko filt u.
	Smyčka na zahradní hadici nebo je hadice namotaná na skladovací cívce	Použijte maximální délku zahradní hadice 50 stop (15,2 m)(voda z městského vodovodu) nebo 25 stop (7,5 m)(voda ze studně). Dbejte, aby byla zahradní hadice položena rovně a nebyly na ní žádné smyčky nebo aby z ní neunikala voda. Zahradní hadici případně odvíjejte z cívky nebo z háku. V případě potřeby hadici vyměňte.
NELZE pohnout spouští stříkácí pistole	Je aktivována pojistka pistole	Uvolněte pojistku dle pokynů v odstavci Spuštění v části Obsluha tohoto návodu.
Zařízení nelze spustit  <b>Poznámka:</b> Zařízení se spustí a běží pouze tehdy, je-li stisknutá spoušť a stříká voda!	Zařízení není ZAPNUTO	Zkontrolujte, zda je vypínač ZAPNUTO/ VYPNUTO zcela v poloze ZAPNUTO.
Během normálního provozu dojde k zastavení motoru  <b>Poznámka:</b> Dochází k sepnutí tepelné pojistky motoru, protože došlo k přehřátí motoru	Příliš dlouhý prodlužovací kabel nebo příliš malý průřez vodiče	Nedoporučujeme použití prodlužovacího kabelu u Vaší tlakové myčky. Musíte-li prodlužovací kabel použít, zkontrolujte, zda splňuje minimální požadavky uvedené v odstavci Prodlužovací kabel v části Informace o zdroji napájení a elektrické části v tomto návodu.
Nechte motor 20 minut vychladnout a následně dojde k automatickému resetu pojistky	Vadná stříkácí pistole	Vyčistěte trysku dle pokynů uvedených v odstavci Tryska v části Údržba tohoto návodu.



<p>Připojení a odpojení stříkacího násadce</p> <p> <b>Poznámka:</b></p> <p>Vzhledem k vysokým tlakům generovaným Vaší tlakovou myčkou musí násadec těsně doléhat k pistoli. V důsledku běžného provozu může být obtížné násadec nasadit nebo jej sejmout a tento úkon může vyžadovat vynaložení značné síly.</p>		<p><b>Chcete-li nasadit násadec</b> - vyviňte na násadec rovnoměrný tlak směrem dolů (ve směru spouště) a otáčejte přitom násadcem o 90° proti směru hodinových ručiček. Může pomoci, pokud pistoli položíte na rovný povrch tak, aby násadec směřoval vzhůru. Dva jazýčky na konci násadce musí být plně vloženy do pistole, než dojde k otočení násadce a jeho aretaci. Jestliže toto nefunguje, vyjměte z konce násadce bajonetový o-kroužek a nasadte násadec na pistoli bez tohoto o-kroužku. Lze-li násadec nasadit na pistoli bez o-kroužku, je třeba o-kroužek vyměnit.</p>
		<p><b>Chcete-li sejmout násadec</b> - vypusťte z pistole / hadice veškerý zbylý tlak tím, že zařízení VYPNETE a stlačíte spoušť pistole. Vyviňte na násadec rovnoměrný tlak směrem dolů (ve směru spouště) a otáčejte přitom násadcem o 90° ve směru hodinových ručiček. Může pomoci, pokud pistoli položíte na rovný povrch tak, aby násadec směřoval vzhůru.</p>

## 9. TECHNICKÁ DATA

Jmenovité napětí	230 V
Jmenovitý kmitočet	50 Hz
Jmenovitý příkon	1200 W
Jmenovitý tlak	6 MPa
Maximální tlak	9 Mpa
Jmenovitý průtok	5,5 l/min.
Maximální průtok	6,5 l/min.
Max. teplota přívodu vody	40°C
Délka hadice	3 m
Provozní dosah	8 m
Stupeň ochrany	II.
Délka síťového kabelu	5M
Rozměry (šířka x hloubka x výška)	265 x 260 x 430 mm
Hmotnost bez nasazeného příslušenství	5,7 kg
Hmotnost s nasazeným příslušenstvím	6,5 kg
Maximální vstupní tlak vody v pascálech	0,69 MPa
Minimální vstupní tlak vody v pascálech, pokud je to nutné pro správnou činnost spotřebiče	0,14 MPa
Úroveň akustického tlaku (L <sub>pa</sub> )	85 dB
Úroveň akustického výkonu měřená (L <sub>wa</sub> )	97 dB

Vibrace: Ah=0,5 ms<sup>2</sup>, K=1,5 ms<sup>2</sup>

Tento přístroj je určen pro provoz v síti el. Proudů s impedancí systému Z max v místě připojení (domovní přípojka) do hodnoty maximálně 0,277 Ohm. Uživatel musí zabezpečit, aby byl přístroj provozován jen připojením do sítě el. proudu, která tento požadavek plní. Pokud je to nutné, tak se na impedanci v systému můžete zeptat místního energetického podniku.

Změna textu a technických parametrů vyhrazena.

Uživatelská příručka je v originálním jazyce.

# 11. PROHLÁŠENÍ O SHODĚ

**Výrobek / značka:** VYSOKOTLAKÁ MYČKA / FIELDMANN

**Typ / Model:** FDW 2004-E, FDW 201201-E..... 230 V/50 Hz/1 200 W

**Výrobek je v souladu s níže uvedenými předpisy:**

- \* Směrnice Evropského parlamentu a Rady 2014/35/EU o harmonizaci právních předpisů členských států týkajících se elektrických zařízení určených pro používání v určitých mezích napětí
- \* Směrnice Evropského parlamentu a Rady 2014/30/EU o strojních zařízeních a o změně směrnice 95/16/ES
- \* Směrnice Evropského parlamentu a Rady 2004/108/ES ze dne 15. prosince 2004 o sblížení právních předpisů členských států týkajících se elektromagnetické kompatibility a o zrušení směrnice 89/336/EHS
- \* Směrnice Evropského parlamentu a Rady 2011/65/EU ze dne 27. ledna 2003 o omezení používání některých nebezpečných látek v elektrických a elektronických zařízeních
- \* Směrnice Evropského parlamentu a Rady 2005/88/ES

**a normami:**

- \* EN 55014-1: 2006 + A1: 2009 + A2: 2011
- \* EN 55014-2: 1997 + A1: 2001 + A2: 2008
- \* EN 61000-3-2: 2006 + A1: 2009 + A2: 2009
- \* EN 61000-3-3: 2013
- \* EN 60335-1: 2012
- \* EN 60335-2-79: 2012
- \* EN 62233: 2008

**Označení CE:** ..... 16

Společnost FAST ČR, a.s. je oprávněna jednat jménem výrobce.

**Výrobce:**

FAST ČR, a.s.  
Černokostecká 2111, 100 00 Praha 10  
DIČ: CZ26726548

V Praze 17. 11. 2016

Jméno: Zdeněk Pech  
předseda představenstva

**FAST** FAST ČR, a.s.  
Černokostecká 1621, 251 01 Píсары  
IČO: 26726548 tel.: +420/ 323 204 111  
DIČ: CZ26726548 fax: +420/ 323 204 110



Podpis a razítko:

# 11. LIKVIDACE

## POKYNY A INFORMACE O NAKLÁDÁNÍ S POUŽITÝM OBALEM

Použitý obalový materiál odložte na místo určené obcí k ukládání odpadu.

## LIKVIDACE POUŽITÝCH ELEKTRICKÝCH A ELEKTRONICKÝCH ZAŘÍZENÍ



Tento symbol na produktech anebo v průvodních dokumentech znamená, že použité elektrické a elektronické výrobky nesmí být přidány do běžného komunálního odpadu. Ke správné likvidaci, obnově a recyklaci předejte tyto výrobky na určená sběrná místa. Alternativně v některých zemích Evropské unie nebo jiných evropských zemích můžete vrátit své výrobky místnímu prodejci při koupi ekvivalentního nového produktu. Správnou likvidací tohoto produktu pomůžete zachovat cenné přírodní zdroje a napomáháte prevenci potenciálních negativních dopadů na životní prostředí a lidské zdraví, což by mohly být důsledky nesprávné likvidace odpadů. Další podrobnosti si vyžádejte od místního úřadu nebo nejbližšího sběrného místa. Při nesprávné likvidaci tohoto druhu odpadu mohou být v souladu s národními předpisy uděleny pokuty.

### Pro podnikové subjekty v zemích Evropské unie.

Chcete-li likvidovat elektrická a elektronická zařízení, vyžádejte si potřebné informace od svého prodejce nebo dodavatele.

### Likvidace v ostatních zemích mimo Evropskou unii

Tento symbol je platný v Evropské unii. Chcete-li tento výrobek zlikvidovat, vyžádejte si potřebné informace o správném způsobu likvidace od místních úřadů nebo od svého prodejce.



Tento výrobek splňuje veškeré základní požadavky směrnic EU, které se na něj vztahují.

Změny v textu, designu a technických specifikacích se mohou měnit bez předchozího upozornění a vyhraujeme si právo na jejich změnu.





# Vysokotlakový čistič

## NÁVOD NA OBSLUHU

**Ďakujeme vám, že ste si zakúpili tento vysokotlakový čistič. Skôr, než ho začnete používať, prečítajte si, prosím, pozorne tento návod na obsluhu a uschovajte ho pre prípad ďalšieho použitia.**

## OBSAH

1. VŠEOBECNÉ BEZPEČNOSTNÉ PREDPISY .....	48
2. SYMBOLY .....	49
3. VŠEOBECNÝ POPIS .....	51
4. BEZPEČNOSTNÍ POKYNY .....	52
5. MONTÁŽNE POKYNY .....	55
6. SPUSTENIE .....	56
7. USKLADNENIE .....	59
8. SPRIEVODCA ODSTRANOVANÍM PROBLÉMOV .....	60
9. TECHNICKÁ ŠPECIFIKÁCIA .....	64
10. VÝHLÁŠENIE O ZHODE .....	65
11. LIKVIDÁCIA .....	66

# 1. VŠEOBECNÉ BEZPEČNOSTNÉ PREDPISY

## Dôležité bezpečnostné upozornenia

- ✿ Výrobok starostlivo vybalte a dajte pozor, aby ste nevyhodili žiadnu časť obalového materiálu skôr, ako nájdete všetky súčasti výrobku.
- ✿ Výrobok uschovávajújte na suchom mieste mimo dosahu detí.
- ✿ Čítajte všetky upozornenia a pokyny. Zanedbanie pri dodržovaní varovných upozornení a pokynov môžu mať za následok úraz elektrickým prúdom, požiar a/alebo ťažké poranenia.


## Obal

Výrobok je umiestnený v obale brániacom poškodeniu pri transporte. Tento obal je surovinou a je možné ho preto odovzdať na recykláciu.

Minimálne počas záruky odporúčame uschovať originálny obal vrátane vnútorného baliaceho materiálu, pokladničný doklad a záručný list. V prípade prepravy zabalte prístroj späť do originálnej škatule od výrobcu, zaistíte si tak maximálnu ochranu výrobku pri prípadnom transporte (napr. sťahovanie alebo odoslanie do servisného strediska).

## Návod na použitie

Kým začnete so strojom pracovať, prečítajte si nasledujúce bezpečnostné predpisy a pokyny na používanie. Zoznámte sa s obslužnými prvkami a správnym používaním zariadenia. Návod starostlivo uschovajte pre prípad neskoršej potreby. Minimálne počas záruky odporúčame uschovať originálny obal vrátane vnútorného baliaceho materiálu, pokladničný doklad a záručný list. V prípade prepravy zabalte stroj späť do originálnej škatule od výrobcu, zaistíte si tak maximálnu ochranu výrobku pri prípadnom transporte (napr. sťahovanie alebo odoslanie do servisného strediska).

-  **Poznámka:** Ak odovzdávate stroj ďalším osobám, odovzdajte ho spoločne s návodom. Dodržiavanie priloženého návodu na obsluhu je predpokladom riadneho používania stroja. Návod na obsluhu obsahuje aj pokyny pre obsluhu, údržbu a opravy.

**Výrobca nepreberá zodpovednosť za nehody alebo škody, ktoré vzniknú následkom nedodržania tohto návodu.**



## 2. SYMBOLY



Pred prvým uvedením do prevádzky si pre vašu vlastnú bezpečnosť a pre bezpečnosť ostatných prečítajte pozorne tento návod na obsluhu, a to skôr, než vysokotlakovú umývačku použijete. Tento návod dobre uschovajte a odovzdajte ho každému ďalšiemu používateľovi, aby boli tieto informácie kedykoľvek k dispozícii.

Pred začatím práce sa dobre oboznámte so všetkými ovládacími elementmi, najmä s funkciami a činnosťami. Informujte sa prípadne u odborníka. Čítajte pozorne túto používateľskú príručku.



Pozor! Pri poškodení alebo preseknutí sieťového kábla ihneď vyťahnite zástrčku zo sieťovej zásuvky.



Prístroj nie je určený na pripojenie k zariadeniu na zásobovanie pitnou vodou.



Ochranná trieda.



Vysokotlakové umývačky môžu byť pri nesprávnom používaní nebezpečné. Prúd vody nesmie byť namierený na osoby, zvieratá, na aktívnu elektrickú výstroj alebo na samotné zariadenie.



Tento produkt je vyrobený v súlade so schválenými normami.

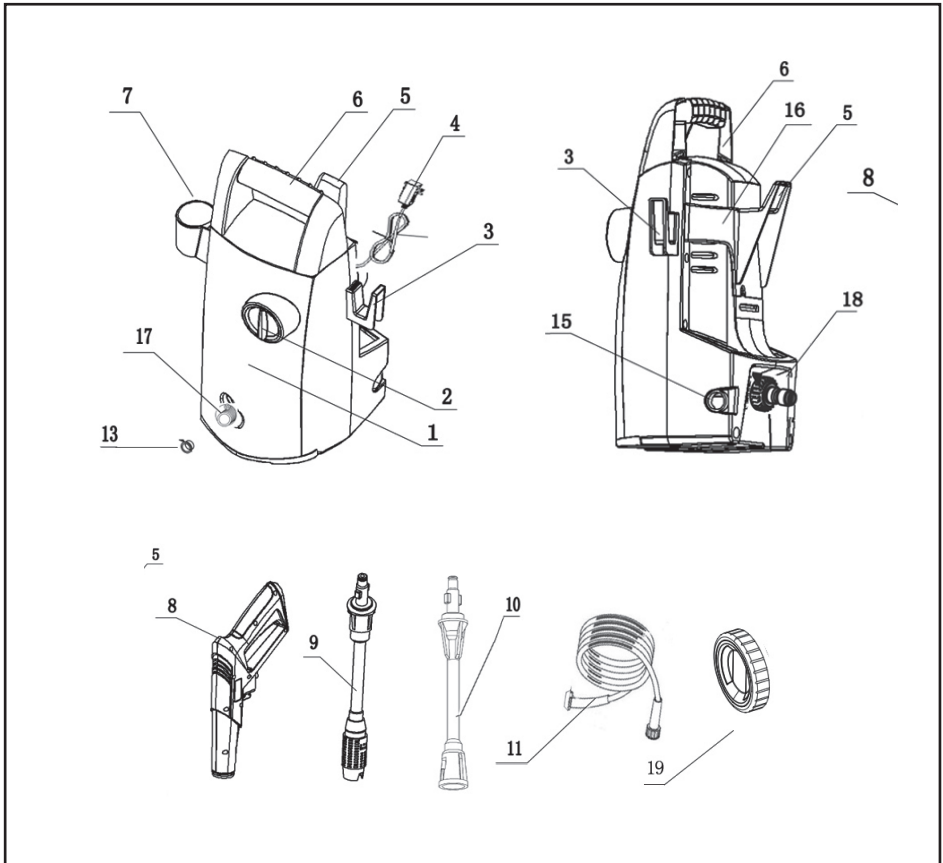


Elektrické prístroje nepatria do domáceho odpadu.



Použite ochranu sluchu.

### 3. VŠEOBECNÝ POPIS



- 1 - Motor a čerpadlo v puzdre
- 2 - Spínač ZAPNUTÉ / VYPNUTÉ
- 3 - Držiak vysokotlakovej hadice / kábla
- 4 - Napájací kábel
- 5 - Držiak vysokotlakovej hadice
- 6 - Rukoväť
- 7 - Držiak príslušenstva
- 8 - Striekacia pištoľ
- 9 - Variabilné striekacia dýza s násadcom

- 10 - Variabilná striekacia dýza s násadcom
- 11 - Vysokotlaková hadica
- 13 - Prepravné zátky
- 15 - Kryt otvoru pre bicykle
- 16 - Držiak dýzy
- 17 - Vysokotlakový výstupný otvor (kovový)
- 18 - Vstupný otvor pre vodu (plastový)
- 19 - Kolesá

## 4. BEZPEČNOSTNÉ POKYNY

### **⚠ POZOR! VÝSTRAHA!**

Vysokotlakové dýzy môžu byť nebezpečné, ak sú nesprávne používané.  
Dýza nesmie smerovať na osoby, elektrické zariadenia pod prúdom alebo na samotný stroj.

### **⚠ POZOR! VÝSTRAHA!**

Nepoužívať stroj v dosahu osôb, ak nemajú ochranný oblek.

### **⚠ POZOR! VÝSTRAHA!**

Nesmerovať dýzu proti sebe alebo iným osobám za účelom čistenia odevov alebo obuvi.

### **⚠ POZOR! VÝSTRAHA!**

Nebezpečenstvo výbuchu – Nepoužívať horľavé kvapaliny.

### **⚠ POZOR! VÝSTRAHA!**

Vysokotlakové čističe nesmú používať deti ani nezaškolené osoby.

### **⚠ POZOR! VÝSTRAHA!**

Vysokotlakové hadice, armatúry a spojky sú dôležité pre bezpečnosť stroja. Používajte iba hadice, armatúry a spojky odporúčané výrobcom.

### **⚠ POZOR! VÝSTRAHA!**

Aby bola zaistená bezpečnosť stroja, používajte iba originálne náhradné diely od výrobcu alebo diely schválené výrobcom.

### **⚠ POZOR! VÝSTRAHA!**

Stroj sa musí odpojiť od zdroja napájania pri čistení alebo údržbe a pri výmene častí alebo prestavbe na inú funkciu, v prípade strojov napájaných zo siete vyťahnutím vidlice zo zásuvky;

### **⚠ POZOR! VÝSTRAHA!**

Nepoužívať stroj, ak sú napájací prívod alebo dôležité časti stroja, napr. bezpečnostné zariadenia, vysokotlakové hadice, spúšťacie zariadenia, poškodené.

### **⚠ POZOR! VÝSTRAHA!**

Nezodpovedajúce predlžovacie prívody môžu byť nebezpečné. Ak sa používa predlžovací prívod, musí byť vidlica aj zásuvka vo vodotesnom vyhotovení a spojenie sa musí udržiavať v suchu a bez spojenia so zemou. Odporúča sa, aby toto bolo vykonané pomocou navijaku prívodu, ktorý udržiava zásuvku najmenej 60 mm nad zemou.

**⚠ POZOR! VÝSTRAHA!**

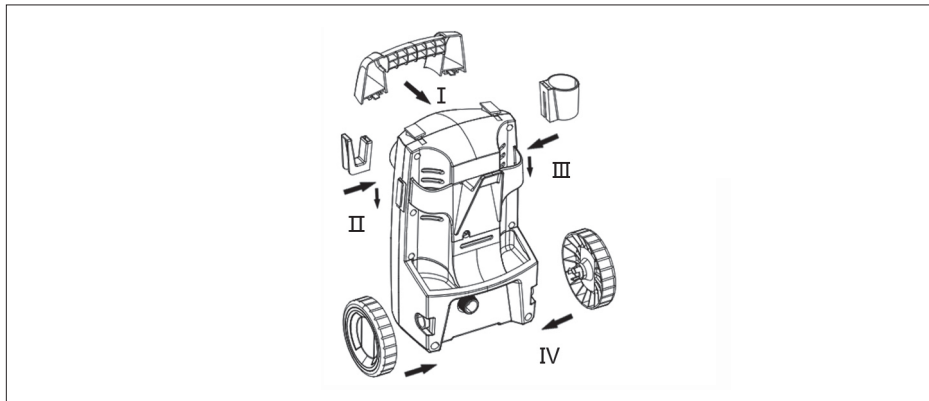
Vždy vypnite hlavný vypínač, ak necháte stroj bez dozoru.

- ✿ Výrobok opatrne vybalte a dajte pozor, aby ste nevyhodili žiadnu časť obalového materiálu skôr, než nájdete všetky súčasti výrobku.
- ✿ Tento výrobok nie je určený pre osoby (vrátane detí) so zníženou fyzickou, zmyslovou alebo mentálnou schopnosťou alebo osoby s obmedzenými skúsenosťami a znalosťami, ak nad nimi nie je vedený odborný dohľad alebo podané inštrukcie zahŕňajúce použitie tohto výrobku osobou zodpovednou za ich bezpečnosť.
- ✿ Nikdy nepoužívajte príslušenstvo, ktoré nie je dodávané s týmto výrobkom alebo pre neho nie je určené.
- ✿ V žiadnom prípade neopravuje výrobok sami a nevykonávajte na ňom žiadne úpravy – nebezpečenstvo úrazu elektrickým prúdom! Všetky opravy a nastavenia tohto výrobku zverte odbornej firme / servisu. Zásahom do výrobku počas platnosti záruky sa vystavujete riziku straty záručných plnení.
- ✿ Nikdy nepoužívajte výrobok, ak máte mokré ruky alebo nohy.
- ✿ Výrobok používajte a uchovávajte mimo dosahu horľavých a prchavých látok.
- ✿ Výrobok nevystavujte extrémnym teplotám, priamemu slnečnému žiareniu, nadmernej vlhkosti a neumiestňujte ho do nadmerne prašného prostredia.
- ✿ Výrobok neumiestňujte do blízkosti vykurovacích telies, otvoreného ohňa a iných spotrebičov alebo zariadení, ktoré sú zdrojmi tepla.
- ✿ Nepoužívajte výrobok na iné účely, než na ktoré je určený.
- ✿ Pred pripojením výrobku k sieťovej zásuvke sa uistite, že napätie uvedené na štítku výrobku zodpovedá napätiu vo vašej zásuvke.
- ✿ Nepokladajte sieťový kábel v blízkosti horúcich plôch alebo cez ostré predmety. Na sieťový kábel nepokladajte ťažké predmety, kábel umiestnite tak, aby sa po ňom nešliapalo a aby sa oň nezakopávalo. Dbajte na to, aby sa sieťový kábel nedotýkal horúceho povrchu.
- ✿ Ak je sieťový kábel výrobku poškodený, jeho výmenu zverte odbornému servisu alebo podobne kvalifikovanej osobe, aby sa zabránilo vzniku nebezpečnej situácie. Je zakázané používať výrobok s poškodeným sieťovým káblom alebo vidlicou sieťového kábla.
- ✿ Nevyťahujte zástrčku prívodu z el. zásuvky ťahom za napájací prívod.
- ✿ Výrobok nepostrekujte vodou ani inou tekutinou. Do výrobku nelejte vodu ani iné tekutiny. Výrobok neponárajte do vody alebo inej tekutiny.
- ✿ Výrobok nikdy nepoužívajte v blízkosti vane, umývadla alebo iných nádob s napustenou vodou.

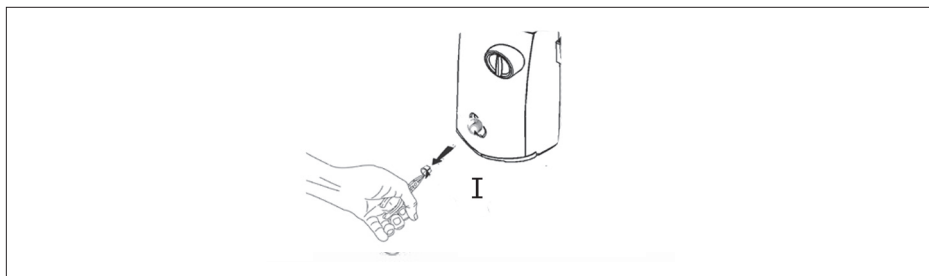
- ✿ Ak výrobok práve nepoužívate alebo nebudete používať, vypnite ho a vytiahnite zástrčku z el. zásuvky. Pred čistením postupujte rovnakým spôsobom.
- ✿ Výrobok nikdy nenechávajte v chode bez dozoru.
- ✿ Pred každým uložením nechajte výrobok dokonale vychladnúť.
- ✿ Pokiaľ bude výrobok používaný v blízkosti detí, dbajte na zvýšenú opatrnosť. Výrobok vždy umiestňujte mimo ich dosahu. Deti by mali byť pod dozorom, aby sa zaistilo, že sa s výrobkom nebudú hrať.
- ✿ Prívod elektrickej energie musí byť vykonaný kvalifikovaným elektrotechnikom, odporúča sa aby bol prívod el. energie vybavený buď prúdovým chráničom s vybavovacou schopnosťou 30mA / 30ms, alebo zariadením strážiacim uzemňovací obvod (o možnostiach inštalácie sa informujte u svojho elektroinštalatéra).
- ✿ Násilné ťahanie za sieťový kábel môže spôsobiť jeho poškodenie.
- ✿ Aby ste sa vyhlí poškodeniu hadice, nešľapajte na ňu ani ju neprehýbajte násilím. Výrobok nepoužívajte so zlomenou alebo inak poškodenou hadicou.
- ✿ Neprechádzajte výrobkom cez sieťový kábel.
- ✿ Tento výrobok je vybavený tepelnou poisťkou – ak dôjde k prehriatiu motora alebo čerpadla, tepelná poisťka prístroj vypne. Keď sa motor alebo čerpadlo ochladí, výrobok je možné opäť spustiť. Upozornenie!!! Aby sa zabránilo nebezpečenstvu vplyvom náhleho znovunastavenia tepelnej poisťky, nesmie byť tento spotrebič napájaný cez také externé spínacie zariadenie, ako je napríklad časový spínač, ani nesmie byť pripojený k obvodu, ktorého vlastnosťou je pravidelné zapínanie a vypínanie.
- ✿ Vysokotlakový prúd môže byť v prípade nesprávneho použitia nebezpečný. Je zakázané otáčať prúd na iné osoby, seba samého, zvieratá, elektrické zariadenia alebo vysokotlakový čistič.
- ✿ Pištoľ ani nástavec nikdy neprikladajte k očiam ani ušiam.
- ✿ Ak je nutné použiť predlžovací kábel k sieťovému prívodu, musí mať tento kábel vodotesnú konštrukciu.
- ✿ Výrobca nezodpovedá za škody spôsobené nesprávnym použitím spotrebiča a jeho príslušenstva (poranenie, popálenie, oparenie, požiar, znehodnotenie potravín atď.)

## 5. MONTÁŽNE POKYNY

- ✿ Nájdite a vyberte zo škatule všetky jednotlivé časti.
- ✿ Zacvaknite



- ✿ Odstráňte a zlikvidujte prepravnú zátku z výstupného otvoru v prednej časti zariadenia.



### PREVÁDZKOVÉ PRVKY TLAKOVEJ UMÝVAČKY AKO POUŽÍVAŤ VARIABILNÝ STRIEKACÍ NÁSADEC

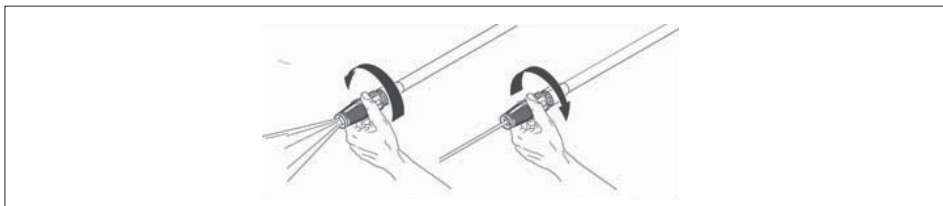
#### ⚠ **POZOR!** UPOZORNENIE!

Silný vodný lúč z tlakovej umývačky môže poškodiť povrchy ako napr. drevo, sklo, automobilový lak, automobilové doplnky a lišty a chýlostivé predmety ako napr. kvety a kríky. Pred striekaním sa presvedčte, či je predmet, ktorý má byť čistený, dostatočne odolný proti poškodeniu silou vodného lúča. Nastavenie vodného lúča na 0° nitkový prúd je veľmi agresívny. Uhol vodného lúča 20° sa odporúča pre väčšinu čistiacich úkonov, aby nedošlo k poškodeniu čisteného povrchu.

**Poznámka:** Tlak vodného lúča na povrch, ktorý čistíte, sa zvyšuje s tým, ako približujete násadec k čistému povrchu.

Nastavenie s vysokým tlakom je určené na umývanie a oplachovanie.

Ak chcete pracovať s vysokým tlakom, pritiahnite späť dýzu variabilného striekacieho násadca.



## 6. SPUSTENIE

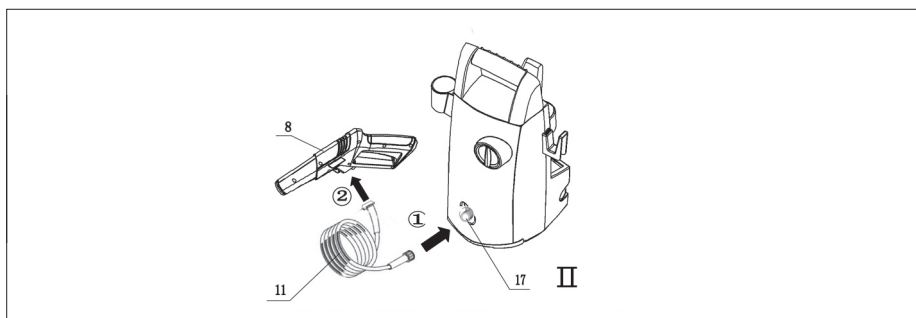
### **⚠ POZOR!** NEBEZPEČENSTVO:

Nebezpečí úrazu vodným paprskom. Není-li pistole používána, aktivujte vždy pojistku. V opačném případě může dojít k náhodnému spuštění vodního paprsku.

**⚠ POZOR!** Nebezpečnost úrazu. Nemířte vycházejícím proudem vody na seba ani na jiné osoby.

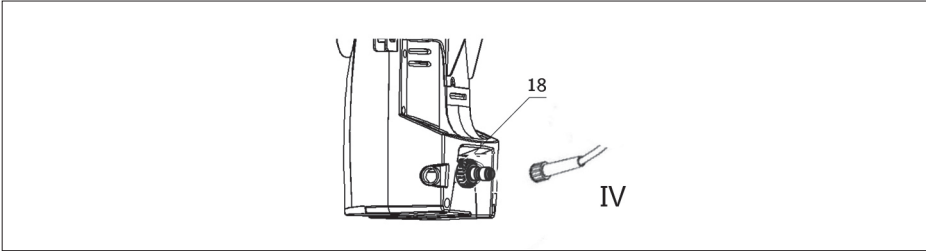
**⚠ POZOR!** Riziko nebezpečnej prevádzky. Stojte na stabilnom povrchu a držte pištoľ / striekací násadec pevne oboma rukami.

☼ Pripojte vysokotlakovú hadicu k výstupnému otvoru zariadenia. Dbajte na to, aby závitý správne dosadali a aby bolo pripojenie bezpečné.

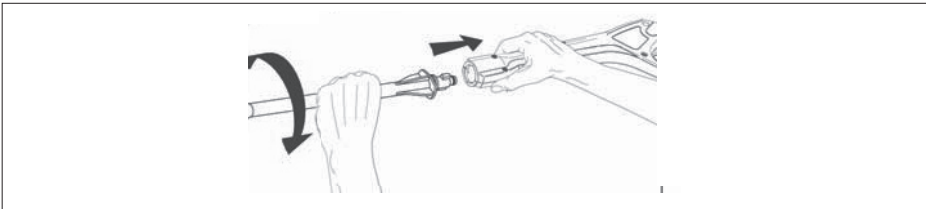


☼ Pripojte záhradnú hadicu k prípojke na zadnej strane zariadenia. Pred pripojením prepláchnite záhradnú hadicu (nie je súčasťou dodávky) vodou, aby sa vyplavili všetky cudzie predmety.

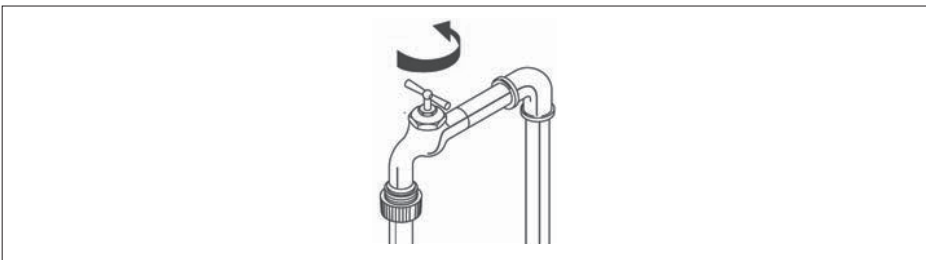




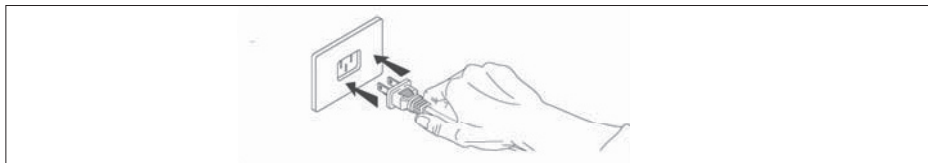
- ☼ Vložte do pištole striekací násadec tak, že na neho budete tlačiť a súčasne s ním otáčať o 1/4 otáčky proti smeru hodinových ručičiek, kým nedôjde k jeho aretácii.



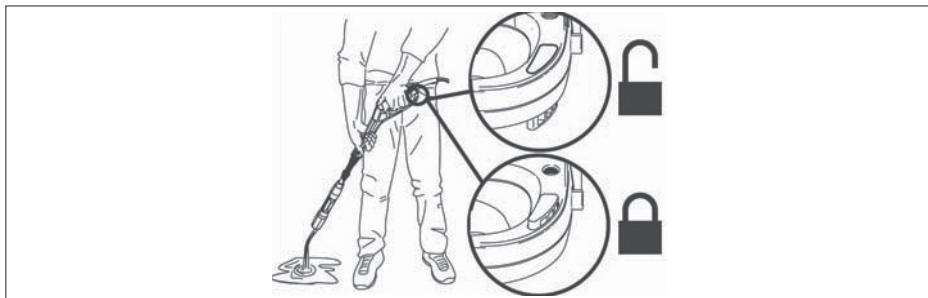
- ⚠ **POZOR!** Ak nie je násadec bezpečne aretovaný, mohol by byť počas prevádzky v dôsledku vysokého tlaku katapultovaný a spôsobíť úraz alebo škodu.
- ☼ Zapnite prívodnú vodu a otvorte naplno kohútik, aby ste zabezpečili maximálny prietok vody do zariadenia.



- ☼ Pripojte zariadenie k vhodnej elektrickej zásuvke.
- 📖 **Poznámka:** Napájací zdroj musí byť vyhradený okruh 230 V, 50 Hz a minimálne 15 ampérov.



- ☼ Presvedčte sa, že je odistená poistka pištole a stlačte spúšť, kým neunikne vzduch a z dýzy nezačne vychádzať rovnomerný prúd nízko tlakovej vody.



- ☼ Otočte spínačom do polohy ZAPNUTÉ. Všimnite si, že sa motor na krátky čas spustí a potom zastaví.



- ☼ Stlačte spúšť, aby ste spustili motor, a začnite vykonávať tlakové umývanie.

**Poznámka:** Motor beží len vtedy, ak je stlačená spúšť a strieka voda.

## Vypnutie

Informácie o postupoch pre správne vypnutie a uloženie zariadenia sú uvedené v časti Skladovanie tohto návodu.


## 7. SKLADOVANIE

**⚠ POZOR!** Pred prenášaním zariadenia vždy odpojte záhradnú hadicu pomocou spojky záhradnej hadice.

**⚠ POZOR!** Tlakovú umývačku vždy skladujte na mieste, kde teplota neklesne pod 40 °F (4 °C). Čerpadlo tohto zariadenia je v prípade mrazu náchylné na trvalé poškodenie. **ZÁRUKA SA NEVZŤAHUJE NA POŠKODENIE MRAZOM.**

### Pokyny pri ukončení používania a skladovanie v zime

☼ Po skončení používania čistiaceho prostriedku dôkladne opláchnite saciu trubicu a dýzu čistiaceho prostriedku tým, že vložíte saciu trubicu do nádoby s čistou vodou a necháte dýzu čistiaceho prostriedku bežať pri maximálnom prietoku počas 30 sekúnd. Tým dôjde k vyplaveniu všetkých zvyškov čistiaceho prostriedku zo sacej trubice a dýzy.

 **Poznámka:** Ak nevykonáte dôkladné vyčistenie, môže dôjsť k upchatiu dýzy čistiaceho prostriedku a táto sa môže stať nefunkčnou.

☼ VYPNITE zariadenie a stlačte spúšť za účelom vypustenia zvyšného tlaku vnútri zariadenia.

☼ Odstráňte zo zariadenia záhradnú hadicu aj vysokotlakovú hadicu.

☼ Odstráňte násadec z pištole.

☼ ZAPNITE zariadenie a nechajte ich bežať počas 5 sekúnd. (Tým dôjde k vypusteniu väčšiny vody, ktorá zostala v čerpadle).


☼ Odpojte zariadenie od prívodu elektrického prúdu.



☼ Zmotajte vysokotlakovú hadicu a napájací kábel na navíjač hadice / kábla podľa obrázku.


☼ Uložte zariadenie a príslušenstvo na suchom, klimatizovanom mieste. Neskladujte zariadenie ani príslušenstvo na mieste, kde môže teplota klesnúť pod 40 °F (4 °C).

## 8. SPRIEVODCA ODSTRANOVANÍM PROBLÉMOV

PREVÁDZKOVÝ PROBLÉM	MOŽNÁ PRÍČINA	RIEŠENIE
Čistiaci prostriedok sa nedávkuje	Čistiaci prostriedok nie je schválený pre danú tlakovú umývačku	Používajte len čistiace prostriedky, odmasťovače, vosky a iné čistiace roztoky, ktoré sú určené špeciálne pre tlakové umývačky. Čističe v tejto kategórii majú na štítku zreteľne uvedené, že nie sú určené na použitie v tlakových umývačkách. <b>NEPOUŽÍVAJTE</b> do vašej tlakovej umývačky žiadny iný typ čistiaceho roztoku. Nikdy do vášho zariadenia nepoužívajte bieliace prostriedky, čpavok alebo akýkoľvek druh kyseliny!
	Došlo k odpojeniu, zahmleniu alebo prekrúteniu sacej trubice	Dbajte na to, aby sacia trubica nebola poškodená a aby bola riadne pripojená k dýze čistiaceho prostriedku. Podľa potreby trubicu odpojte, vyčistite a znovu pripojte.
	Dýza čistiaceho prostriedku je zahmlená nečistotami	Vyčistite dýzu podľa pokynov v odseku Dýza v časti Údržba tohto návodu.
Pomer čistiaceho prostriedku a vody		Tlaková umývačka odoberá čistiaci prostriedok maximálne v pomere 10:1 vody a čistiaceho prostriedku. Väčšina čistiacich prostriedkov pre tlakové umývačky má koncentráciu v tomto intervale, takže nie je potrebné vykonávať zložité nastavenie meracieho ventilu dýzy čistiaceho prostriedku. Ak máte pocit, že používate viac čistiaceho prostriedku, než je pre dané použitie potrebné, môžete čistiaci prostriedok nariediť normálne vodou z vodovodu.

Došlo k zopnutiu ističa alebo prepáleniu poistky v poistkovej skrini	Prefažený elektrický obvod	Skontrolujte, či je elektrický obvod dimenzovaný na hodnotu 15 ampérov alebo vyššiu. Dbajte na to, aby k rovnakému obvodu neboli pripojené žiadne iné spotrebiče (vyhradený okruh).
	Príliš dlhý predlžovací kábel alebo príliš malý prierez vodiča	Neodporúčame použitie predlžovacieho kábla s vašou tlakovou umývačkou. Ak musíte predlžovací kábel použiť, skontrolujte, či spĺňa minimálne požiadavky uvedené v odseku Predlžovací kábel v časti Informácie o zdroji napájania a elektrickej časti v tomto návode.
Unikajúca voda zo striekacej pištole, násadca alebo vysokotlakovej hadice	Nesprávne pripojené príslušenstvo	Skontrolujte, či sú všetky súčasti (pištoľ, násadec, vysokotlaková hadica) správne pripojené podľa pokynov uvedených v tomto návode.
Nízky / nestabilný tlak alebo nedôjde k zastaveniu motora pri uvoľnení striekacej pištole  <b>Poznámka:</b> Tlaková umývačka nedostáva plný objem privádzanej vody. Zariadenie vyžaduje zdroj tlakovej vody s kapacitou aspoň 20 psi pri prietoku 20 galónov za minútu.	Vodovodný kohútik nie je plne otvorený	Skontrolujte, či je maximálne otvorený kohútik zdroja privádzanej vody.
	Záhradná hadica je príliš dlhá alebo je skrútená / zúžená	Použite maximálnu dĺžku záhradnej hadice 50 stôp (15,2 m) (voda z mestského vodovodu) alebo 25 stôp (7,5 m) (voda zo studne). Dbajte, aby bola záhradná hadica položená rovno a neboli na nej žiadne slučky alebo aby z nej neunikala voda. Záhradnú hadicu prípadne odvíjajte z cievky alebo z háku. V prípade potreby hadicu vymeňte.
	Vstupný vodný filer je upchatý	Vyberte sitko filer (O) z prívodu vody (M) a dôkladne ich vyčistite. Vymeňte sitko filer a.
	Príliš dlhý predlžovací kábel alebo príliš malý prierez vodiča	Neodporúčame použitie predlžovacieho kábla s vašou tlakovou umývačkou. Ak musíte predlžovací kábel použiť, skontrolujte, či spĺňa minimálne požiadavky uvedené v odseku Predlžovací kábel v časti Informácie o zdroji napájania a elektrickej časti v tomto návode.

Z dýzy nevychádza voda	Dýza je upchatá	Vyčistíte trysku dle pokynů uvedených v odstavci Tryska v části Údržba tohoto návodu.
	Vstupný vodný filer je upchatý	Vyjměte sítko filtu (O) z přívodu vody (M) a důkladně je vyčistěte. Vyměňte sítko filtu.
	Slučka na záhradnej hadici alebo je hadica namotaná na skladovacej cievke	Použite maximálnu dĺžku záhradnej hadice 50 stôp (15,2 m) (voda z mestského vodovodu) alebo 25 stôp (7,5 m) (voda zo studne). Dbajte na to, aby bola záhradná hadica položená rovno a neboli na nej žiadne slučky alebo aby z nej neunikala voda. Záhradnú hadicu prípadne odvíjajte z cievky alebo z háku. V prípade potreby hadicu vymeňte.
NEDÁ sa pohnúť spúšťou striekacej pištole	Je aktivovaná poistka pištole	Uvoľnite poistku podľa pokynov v odseku Spustenie v časti Obsluha tohto návodu.
Zariadenie sa nedá spustiť  <b>Poznámka:</b> Zariadenie sa spustí a beží len vtedy, keď je stlačená spúšť a strieka voda!	Zariadenie nie je ZAPNUTÉ	Skontrolujte, či je vypínač ZAPNUTÉ / VYPNUTÉ úplne v polohe ZAPNUTÉ.
Počas normálnej prevádzky dôjde k zastaveniu motora  <b>Poznámka:</b> K zopnutiu tepelnej poistky motora dochádza, pretože došlo k prehriatiu motora  Nechajte motor 20 minút vychladnúť a následne dôjde k automatickému resetu poistky	Príliš dlhý predlžovací kábel alebo príliš malý prierez vodiča	Neodporúčame použitie predlžovacieho kábla s vašou tlakovou umývačkou. Ak musíte predlžovací kábel použiť, skontrolujte, či spĺňa minimálne požiadavky uvedené v odseku Predlžovací kábel v časti Informácie o zdroji napájania a elektrickej časti v tomto návode.
	Chybná striekacia pištoľ	Vyčistíte dýzu podľa pokynov v odseku Dýza v časti Údržba tohto návodu.

<p>Pripojenie a odpojenie striekacieho násadca</p> <p> <b>Poznámka:</b></p> <p>Vzhľadom na vysoký tlak generovaný vašou tlakovou umývačkou musí násadec tesne doliehať k pištoľi. V dôsledku bežnej prevádzky môže byť ťažké násadec nasadiť alebo ho zložiť a tento úkon môže vyžadovať vynaloženie značnej sily.</p>		<p><b>Ak chcete nasadiť násadec</b> – vyvíňte na násadec rovnomerný tlak smerom dole (v smere spúšte) a otáčajte pritom násadcom o 90° proti smeru hodinových ručičiek. Môže pomôcť, ak pištoľ položíte na rovný povrch tak, aby násadec smeroval nahor. Dva jazýčky na konci násadca musia byť plne vložené do pištole skôr, než dôjde k otočeniu násadca a jeho aretácii. Ak toto nefunguje, vyberte z konca násadca bajonetový o-krúžok a nasadte násadec na pištoľ bez tohto o-krúžku. Ak sa dá násadec nasadiť na pištoľ bez o-krúžku, treba o-krúžok vymeniť.</p>
		<p><b>Ak chcete odobrať násadec</b> – vypustíte z pištole / hadice všetok zvyšný tlak tým, že zariadenie VYPNETE a stlačíte spúšť pištole. Vyvíňte na násadec rovnomerný tlak smerom dole (v smere spúšte) a otáčajte pritom násadcom o 90° v smere hodinových ručičiek. Môže pomôcť, ak pištoľ položíte na rovný povrch tak, aby násadec smeroval nahor.</p>

## 9. TECHNICKÉ ÚDAJE

Menovité napätie	230 V
Menovitý kmitočet	50 Hz
Menovitý príkon	1200 W
Menovitý tlak	6 MPa
Maximálny tlak	9 Mpa
Menovitý prietok	5,5 l/min.
Maximálny prietok	7,5 l/min.
Max. teplota prívodu vody	40°C
Dĺžka hadice	3 m
Prevádzkový dosah	8 m
Stupeň ochrany	II.
Dĺžka sieťového kábla	5 m
Rozmery (šírka x hĺbka x výška)	265 x 260 x 430 mm
Hmotnosť bez nasadeného príslušenstva	5,7 kg
Hmotnosť s nasadeným príslušenstvom	6,5 kg
Maximálny vstupný tlak vody v pascaloch	0,69 MPa
Minimálny vstupný tlak vody v pascaloch, ak je to nutné pre správnu činnosť spotrebiča	0,14 MPa
Úroveň akustického tlaku (L <sub>pa</sub> )	85 dB
Úroveň akustického výkonu meraná (L <sub>wa</sub> )	97 dB

Vibrácie: Ah=0,5 ms<sup>2</sup>, K=1,5 ms<sup>2</sup>

Tento prístroj je určený na prevádzku v sieti el. prúdu s impedanciou systému Z max v mieste pripojenia (domová prípojka) do hodnoty maximálne 0,277 Ohm. Používateľ musí zabezpečiť, aby bol prístroj prevádzkovaný len pripojením do siete el. prúdu, ktorá túto požiadavku plní. Ak je to potrebné, tak sa na impedanciu v systéme môžete opýtať miestneho energetického podniku.

Zmena textu a technických parametrov vyhradená.

Používateľská príručka je v jazykovej mutácii.



# 10. VYHLÁSENIE O ZHODE

**Výrobok / značka:** Vysokotlaková umývačka / FIELDMANN

**Typ / Model:** FDW 2004-E, FDW 201201-E ..... 230 V / 50 Hz/1 200 W

## Výrobok je v súlade s nižšie uvedenými predpismi:

- \* Smernica Európskeho parlamentu a Rady 2014/35/EU o harmonizácii právnych predpisov členských štátov týkajúcich sa elektrického zariadenia určeného na používanie v rámci určitých limitov napätia.
- \* Smernica Európskeho parlamentu a Rady 2014/30/EU o aproximácii právnych predpisov členských štátov vzťahujúcich sa na elektromagnetickú kompatibilitu a o zrušení smernice 89/336/EHS.
- \* Smernica Európskeho parlamentu a Rady 2006/42/ES zo 17. mája 2006 o strojových zariadeniach a o zmene a doplnení smernice 95/16/ES.
- \* Smernica Európskeho parlamentu a Rady 2011/65/EU z 27. januára 2003 o obmedzení používania určitých nebezpečných látok v elektrických a elektronických zariadeniach.
- \* Smernice Evropského parlamentu a Rady 2005/88/ES.

## a normami:

- \* EN 55014-1: 2006 + A1: 2009 + A2: 2011
- \* EN 55014-2: 1997 + A1: 2001 + A2: 2008
- \* EN 61000-3-2: 2006 + A1: 2009 + A2: 2009
- \* EN 61000-3-3: 2013
- \* EN 60335-1: 2012
- \* EN 60335-2-79: 2012
- \* EN 62233: 2008

**Označenie CE:** ..... 16

Spoločnosť FAST ČR, a.s. je oprávnená konať menom výrobcu.

## Výrobca:

FAST ČR, a.s.  
Černokostelecká 2111, 100 00 Praha 10, Česká republika  
DIČ: CZ26726548

V Prahe, 17. 11. 2016

Meno: Ing. Zdeněk Pech  
Predseda predstavenstva

**FAST** FAST ČR, a.s.  
Černokostelecká 1621, 251 01 Říčany  
IČO: 26726548 tel.: +420/ 323 204 111  
DIČ: CZ26726548 fax: +420/ 323 204 110



Podpis a pečiatka



**FIELDMANN®**  
Home & Garden Performance



FDW 2004-E  
FDW 201201-E

---

# Vysokotlakový čistič

## NÁVOD NA OBSLUHU

**Ďakujeme vám, že ste si zakúpili tento vysokotlakový čistič. Skôr, než ho začnete používať, prečítajte si, prosím, pozorne tento návod na obsluhu a uschovajte ho pre prípad ďalšieho použitia.**

## OBSAH

1. VŠEOBECNÉ BEZPEČNOSTNÉ PREDPISY .....	48
2. SYMBOLY .....	49
3. VŠEOBECNÝ POPIS .....	51
4. BEZPEČNOSTNÍ POKYNY .....	52
5. MONTÁŽNE POKYNY .....	55
6. SPUSTENIE .....	56
7. USKLADNENIE .....	59
8. SPRIEVODCA ODSTRANOVANÍM PROBLÉMOV .....	60
9. TECHNICKÁ ŠPECIFIKÁCIA .....	64
10. VÝHLÁŠENIE O ZHODE .....	65
11. LIKVIDÁCIA .....	66

# 1. VŠEOBECNÉ BEZPEČNOSTNÉ PREDPISY

## Dôležité bezpečnostné upozornenia

- ✿ Výrobok starostlivo vybalte a dajte pozor, aby ste nevyhodili žiadnu časť obalového materiálu skôr, ako nájdete všetky súčasti výrobku.
- ✿ Výrobok uschovávajújte na suchom mieste mimo dosahu detí.
- ✿ Čítajte všetky upozornenia a pokyny. Zanedbanie pri dodržovaní varovných upozornení a pokynov môžu mať za následok úraz elektrickým prúdom, požiar a/alebo ťažké poranenia.


## Obal

Výrobok je umiestnený v obale brániacom poškodeniu pri transporte. Tento obal je surovinou a je možné ho preto odovzdať na recykláciu.

Minimálne počas záruky odporúčame uschovať originálny obal vrátane vnútorného baliaceho materiálu, pokladničný doklad a záručný list. V prípade prepravy zabalte prístroj späť do originálnej škatule od výrobcu, zaistíte si tak maximálnu ochranu výrobku pri prípadnom transporte (napr. sťahovanie alebo odoslanie do servisného strediska).

## Návod na použitie

Kým začnete so strojom pracovať, prečítajte si nasledujúce bezpečnostné predpisy a pokyny na používanie. Zoznámte sa s obslužnými prvkami a správnym používaním zariadenia. Návod starostlivo uschovajte pre prípad neskoršej potreby. Minimálne počas záruky odporúčame uschovať originálny obal vrátane vnútorného baliaceho materiálu, pokladničný doklad a záručný list. V prípade prepravy zabalte stroj späť do originálnej škatule od výrobcu, zaistíte si tak maximálnu ochranu výrobku pri prípadnom transporte (napr. sťahovanie alebo odoslanie do servisného strediska).

-  **Poznámka:** Ak odovzdávate stroj ďalším osobám, odovzdajte ho spoločne s návodom. Dodržiavanie priloženého návodu na obsluhu je predpokladom riadneho používania stroja. Návod na obsluhu obsahuje aj pokyny pre obsluhu, údržbu a opravy.

**Výrobca nepreberá zodpovednosť za nehody alebo škody, ktoré vzniknú následkom nedodržania tohto návodu.**

## 2. SYMBOLY



Pred prvým uvedením do prevádzky si pre vašu vlastnú bezpečnosť a pre bezpečnosť ostatných prečítajte pozorne tento návod na obsluhu, a to skôr, než vysokotlakovú umývačku použijete. Tento návod dobre uschovajte a odovzdajte ho každému ďalšiemu používateľovi, aby boli tieto informácie kedykoľvek k dispozícii.

Pred začatím práce sa dobre oboznámte so všetkými ovládacími elementmi, najmä s funkciami a činnosťami. Informujte sa prípadne u odborníka. Čítajte pozorne túto používateľskú príručku.



Pozor! Pri poškodení alebo preseknutí sieťového kábla ihneď vyťahnite zástrčku zo sieťovej zásuvky.



Prístroj nie je určený na pripojenie k zariadeniu na zásobovanie pitnou vodou.



Ochranná trieda.



Vysokotlakové umývačky môžu byť pri nesprávnom používaní nebezpečné. Prúd vody nesmie byť namierený na osoby, zvieratá, na aktívnu elektrickú výstroj alebo na samotné zariadenie.



Tento produkt je vyrobený v súlade so schválenými normami.

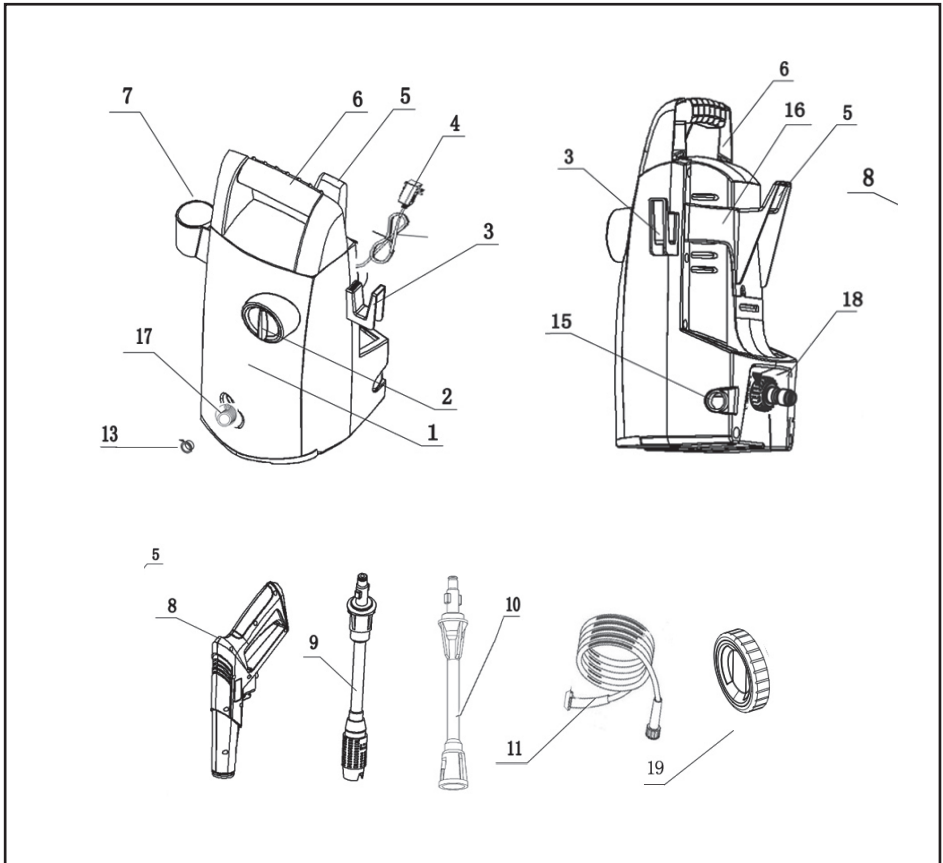


Elektrické prístroje nepatria do domáceho odpadu.



Použite ochranu sluchu.

### 3. VŠEOBECNÝ POPIS



- 1 - Motor a čerpadlo v puzdre
- 2 - Spínač ZAPNUTÉ / VYPNUTÉ
- 3 - Držiak vysokotlakovej hadice / kábla
- 4 - Napájací kábel
- 5 - Držiak vysokotlakovej hadice
- 6 - Rukoväť
- 7 - Držiak príslušenstva
- 8 - Striekacia pištoľ
- 9 - Variabilné striekacia dýza s násadcom

- 10 - Variabilná striekacia dýza s násadcom
- 11 - Vysokotlaková hadica
- 13 - Prepravné zátky
- 15 - Kryt otvoru pre bicykle
- 16 - Držiak dýzy
- 17 - Vysokotlakový výstupný otvor (kovový)
- 18 - Vstupný otvor pre vodu (plastový)
- 19 - Kolesá

## 4. BEZPEČNOSTNÉ POKYNY

### **⚠ POZOR! VÝSTRAHA!**

Vysokotlakové dýzy môžu byť nebezpečné, ak sú nesprávne používané.  
Dýza nesmie smerovať na osoby, elektrické zariadenia pod prúdom alebo na samotný stroj.

### **⚠ POZOR! VÝSTRAHA!**

Nepoužívať stroj v dosahu osôb, ak nemajú ochranný oblek.

### **⚠ POZOR! VÝSTRAHA!**

Nesmerovať dýzu proti sebe alebo iným osobám za účelom čistenia odevov alebo obuvi.

### **⚠ POZOR! VÝSTRAHA!**

Nebezpečenstvo výbuchu – Nepoužívať horľavé kvapaliny.

### **⚠ POZOR! VÝSTRAHA!**

Vysokotlakové čističe nesmú používať deti ani nezaškolené osoby.

### **⚠ POZOR! VÝSTRAHA!**

Vysokotlakové hadice, armatúry a spojky sú dôležité pre bezpečnosť stroja. Používajte iba hadice, armatúry a spojky odporúčané výrobcom.

### **⚠ POZOR! VÝSTRAHA!**

Aby bola zaistená bezpečnosť stroja, používajte iba originálne náhradné diely od výrobcu alebo diely schválené výrobcom.

### **⚠ POZOR! VÝSTRAHA!**

Stroj sa musí odpojiť od zdroja napájania pri čistení alebo údržbe a pri výmene častí alebo prestavbe na inú funkciu, v prípade strojov napájaných zo siete vyťahnutím vidlice zo zásuvky;

### **⚠ POZOR! VÝSTRAHA!**

Nepoužívať stroj, ak sú napájací prívod alebo dôležité časti stroja, napr. bezpečnostné zariadenia, vysokotlakové hadice, spúšťače zariadenia, poškodené.

### **⚠ POZOR! VÝSTRAHA!**

Nezodpovedajúce predlžovacie prívody môžu byť nebezpečné. Ak sa používa predlžovací prívod, musí byť vidlica aj zásuvka vo vodotesnom vyhotovení a spojenie sa musí udržiavať v suchu a bez spojenia so zemou. Odporúča sa, aby toto bolo vykonané pomocou navijaku prívodu, ktorý udržiava zásuvku najmenej 60 mm nad zemou.



**⚠ POZOR! VÝSTRAHA!**

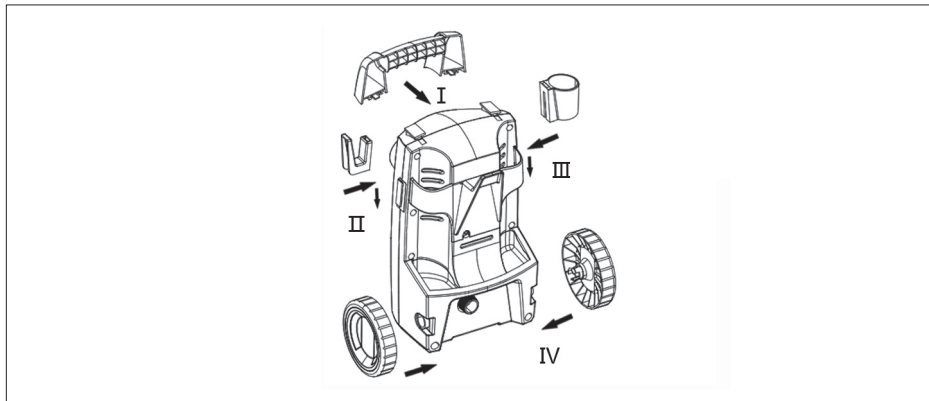
Vždy vypnite hlavný vypínač, ak necháte stroj bez dozoru.

- ✿ Výrobok opatrne vybalte a dajte pozor, aby ste nevyhodili žiadnu časť obalového materiálu skôr, než nájdete všetky súčasti výrobku.
- ✿ Tento výrobok nie je určený pre osoby (vrátane detí) so zníženou fyzickou, zmyslovou alebo mentálnou schopnosťou alebo osoby s obmedzenými skúsenosťami a znalosťami, ak nad nimi nie je vedený odborný dohľad alebo podané inštrukcie zahŕňajúce použitie tohto výrobku osobou zodpovednou za ich bezpečnosť.
- ✿ Nikdy nepoužívajte príslušenstvo, ktoré nie je dodávané s týmto výrobkom alebo pre neho nie je určené.
- ✿ V žiadnom prípade neopravuje výrobok sami a nevykonávajte na ňom žiadne úpravy – nebezpečenstvo úrazu elektrickým prúdom! Všetky opravy a nastavenia tohto výrobku zverte odbornej firme / servisu. Zásahom do výrobku počas platnosti záruky sa vystavujete riziku straty záručných plnení.
- ✿ Nikdy nepoužívajte výrobok, ak máte mokré ruky alebo nohy.
- ✿ Výrobok používajte a uchovávajte mimo dosahu horľavých a prchavých látok.
- ✿ Výrobok nevystavujte extrémnym teplotám, priamemu slnečnému žiareniu, nadmernej vlhkosti a neumiestňujte ho do nadmerne prašného prostredia.
- ✿ Výrobok neumiestňujte do blízkosti vykurovacích telies, otvoreného ohňa a iných spotrebičov alebo zariadení, ktoré sú zdrojmi tepla.
- ✿ Nepoužívajte výrobok na iné účely, než na ktoré je určený.
- ✿ Pred pripojením výrobku k sieťovej zásuvke sa uistite, že napätie uvedené na štítku výrobku zodpovedá napätiu vo vašej zásuvke.
- ✿ Nepokladajte sieťový kábel v blízkosti horúcich plôch alebo cez ostré predmety. Na sieťový kábel nepokladajte ťažké predmety, kábel umiestnite tak, aby sa po ňom nešliapalo a aby sa oň nezakopávalo. Dbajte na to, aby sa sieťový kábel nedotýkal horúceho povrchu.
- ✿ Ak je sieťový kábel výrobku poškodený, jeho výmenu zverte odbornému servisu alebo podobne kvalifikovanej osobe, aby sa zabránilo vzniku nebezpečnej situácie. Je zakázané používať výrobok s poškodeným sieťovým káblom alebo vidlicou sieťového kábla.
- ✿ Nevyťahujte zástrčku prívodu z el. zásuvky ťahom za napájací prívod.
- ✿ Výrobok nepostrekujte vodou ani inou tekutinou. Do výrobku nelejte vodu ani iné tekutiny. Výrobok neponárajte do vody alebo inej tekutiny.
- ✿ Výrobok nikdy nepoužívajte v blízkosti vane, umývadla alebo iných nádob s napustenou vodou.

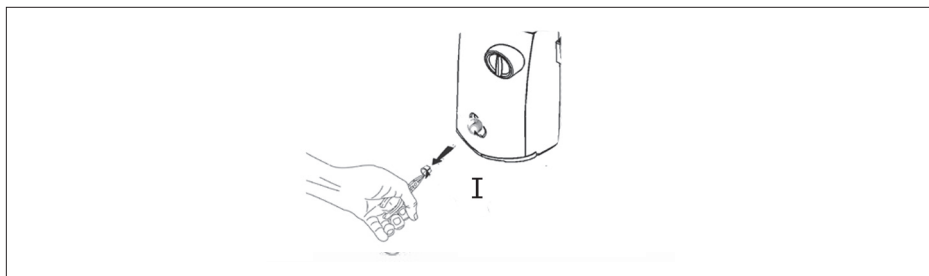
- ✿ Ak výrobok práve nepoužívate alebo nebudete používať, vypnite ho a vytiahnite zástrčku z el. zásuvky. Pred čistením postupujte rovnakým spôsobom.
- ✿ Výrobok nikdy nenechávajte v chode bez dozoru.
- ✿ Pred každým uložením nechajte výrobok dokonale vychladnúť.
- ✿ Pokiaľ bude výrobok používaný v blízkosti detí, dbajte na zvýšenú opatrnosť. Výrobok vždy umiestňujte mimo ich dosahu. Deti by mali byť pod dozorom, aby sa zaistilo, že sa s výrobkom nebudú hrať.
- ✿ Prívod elektrickej energie musí byť vykonaný kvalifikovaným elektrotechnikom, odporúča sa aby bol prívod el. energie vybavený buď prúdovým chráničom s vybavovacou schopnosťou 30mA / 30ms, alebo zariadením strážiacim uzemňovací obvod (o možnostiach inštalácie sa informujte u svojho elektroinštalatéra).
- ✿ Násilné ťahanie za sieťový kábel môže spôsobiť jeho poškodenie.
- ✿ Aby ste sa vyhlí poškodeniu hadice, nešľapajte na ňu ani ju neprehýbajte násilím. Výrobok nepoužívajte so zlomenou alebo inak poškodenou hadicou.
- ✿ Neprechádzajte výrobkom cez sieťový kábel.
- ✿ Tento výrobok je vybavený tepelnou poisťkou – ak dôjde k prehriatiu motora alebo čerpadla, tepelná poisťka prístroj vypne. Keď sa motor alebo čerpadlo ochladí, výrobok je možné opäť spustiť. Upozornenie!!! Aby sa zabránilo nebezpečenstvu vplyvom náhleho znovunastavenia tepelnej poisťky, nesmie byť tento spotrebič napájaný cez také externé spínacie zariadenie, ako je napríklad časový spínač, ani nesmie byť pripojený k obvodu, ktorého vlastnosťou je pravidelné zapínanie a vypínanie.
- ✿ Vysokotlakový prúd môže byť v prípade nesprávneho použitia nebezpečný. Je zakázané otáčať prúd na iné osoby, seba samého, zvieratá, elektrické zariadenia alebo vysokotlakový čistič.
- ✿ Pištoľ ani nástavec nikdy neprikladajte k očiam ani ušiam.
- ✿ Ak je nutné použiť predlžovací kábel k sieťovému prívodu, musí mať tento kábel vodotesnú konštrukciu.
- ✿ Výrobca nezodpovedá za škody spôsobené nesprávnym použitím spotrebiča a jeho príslušenstva (poranenie, popálenie, oparenie, požiar, znehodnotenie potravín atď.)

## 5. MONTÁŽNE POKYNY

- ✿ Nájdite a vyberte zo škatule všetky jednotlivé časti.
- ✿ Zacvaknite



- ✿ Odstráňte a zlikvidujte prepravnú zátku z výstupného otvoru v prednej časti zariadenia.



### PREVÁDZKOVÉ PRVKY TLAKOVEJ UMÝVAČKY AKO POUŽÍVAŤ VARIABILNÝ STRIEKACÍ NÁSADEC

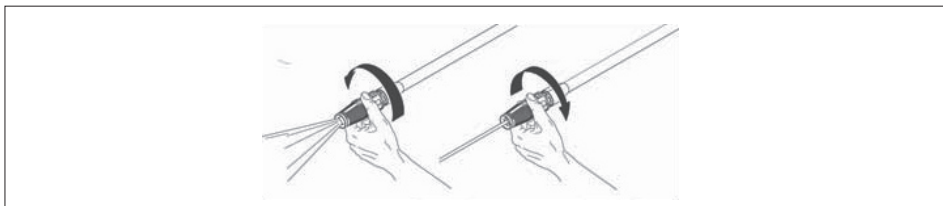
#### ⚠ **POZOR!** UPOZORNENIE!

Silný vodný lúč z tlakovej umývačky môže poškodiť povrchy ako napr. drevo, sklo, automobilový lak, automobilové doplnky a lišty a chýlostivé predmety ako napr. kvety a kríky. Pred striekaním sa presvedčte, či je predmet, ktorý má byť čistený, dostatočne odolný proti poškodeniu silou vodného lúča. Nastavenie vodného lúča na 0° nitkový prúd je veľmi agresívny. Uhol vodného lúča 20° sa odporúča pre väčšinu čistiacich úkonov, aby nedošlo k poškodeniu čisteného povrchu.

**Poznámka:** Tlak vodného lúča na povrch, ktorý čistíte, sa zvyšuje s tým, ako približujete násadec k čistému povrchu.

Nastavenie s vysokým tlakom je určené na umývanie a oplachovanie.

Ak chcete pracovať s vysokým tlakom, pritiahnite späť dýzu variabilného striekacieho násadca.



## 6. SPUSTENIE

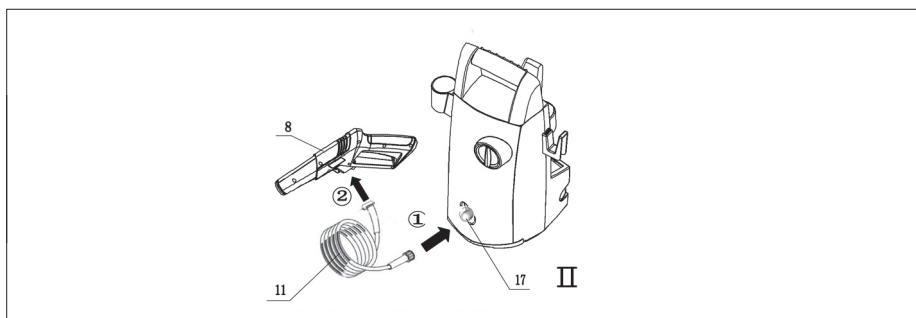
### ⚠ **POZOR!** NEBEZPEČENSTVO:

Nebezpečí úrazu vodným paprskom. Není-li pistole používána, aktivujte vždy pojistku. V opačném případě může dojít k náhodnému spuštění vodního paprsku.

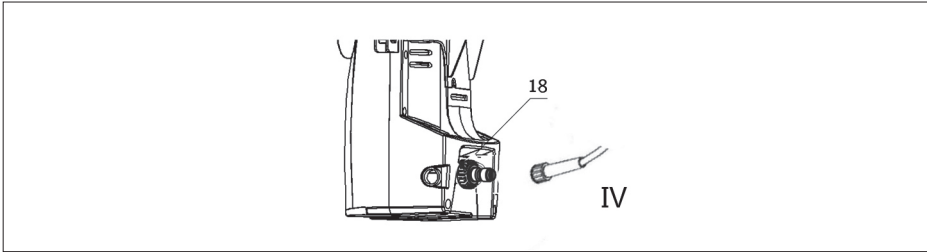
⚠ **POZOR!** Nebezpečnost úrazu. Nemířte vycházejícím proudem vody na seba ani na jiné osoby.

⚠ **POZOR!** Riziko nebezpečnej prevádzky. Stojte na stabilnom povrchu a držte pištoľ / striekací násadec pevne oboma rukami.

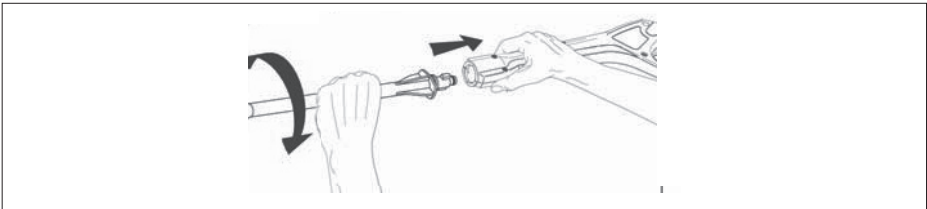
✿ Pripojte vysokotlakovú hadicu k výstupnému otvoru zariadenia. Dbajte na to, aby závit správne dosadali a aby bolo pripojenie bezpečné.



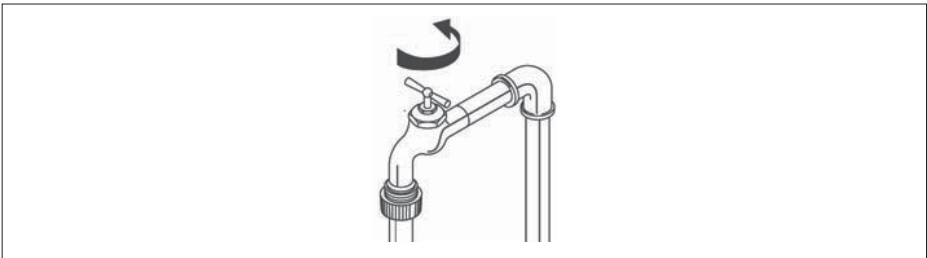
✿ Pripojte záhradnú hadicu k prípojke na zadnej strane zariadenia. Pred pripojením prepláchnite záhradnú hadicu (nie je súčasťou dodávky) vodou, aby sa vyplavili všetky cudzie predmety.



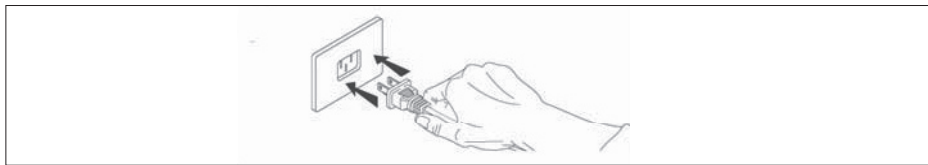
- ☼ Vložte do pištole striekací násadec tak, že na neho budete tlačiť a súčasne s ním otáčať o 1/4 otáčky proti smeru hodinových ručičiek, kým nedôjde k jeho aretácii.



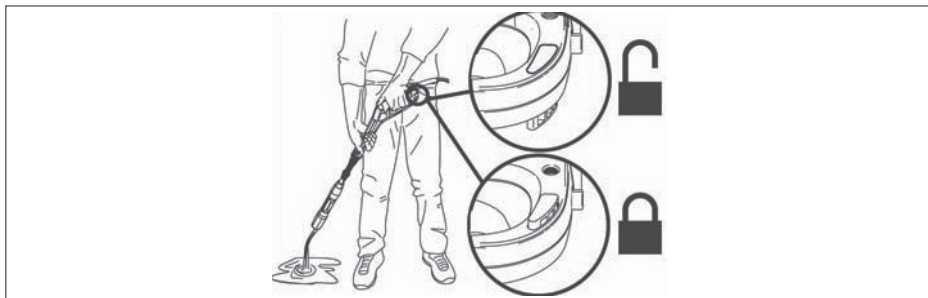
- ⚠ **POZOR!** Ak nie je násadec bezpečne aretovaný, mohol by byť počas prevádzky v dôsledku vysokého tlaku katapultovaný a spôsobíť úraz alebo škodu.
- ☼ Zapnite prívodnú vodu a otvorte naplno kohútik, aby ste zabezpečili maximálny prietok vody do zariadenia.



- ☼ Pripojte zariadenie k vhodnej elektrickej zásuvke.
- 📖 **Poznámka:** Napájací zdroj musí byť vyhradený okruh 230 V, 50 Hz a minimálne 15 ampérov.



- ☼ Presvedčte sa, že je odistená poistka pištole a stlačte spúšľ, kým neunikne vzduch a z dýzy nezačne vychádzať rovnomerný prúd nízko tlakovej vody.



- ☼ Otočte spínačom do polohy ZAPNUTÉ. Všimnite si, že sa motor na krátky čas spustí a potom zastaví.



- ☼ Stlačte spúšľ, aby ste spustili motor, a začnite vykonávať tlakové umývanie.

**Poznámka:** Motor beží len vtedy, ak je stlačená spúšľ a strieka voda.

## Vypnutie

Informácie o postupoch pre správne vypnutie a uloženie zariadenia sú uvedené v časti Skladovanie tohto návodu.


## 7. SKLADOVANIE

**⚠ POZOR!** Pred prenášaním zariadenia vždy odpojte záhradnú hadicu pomocou spojky záhradnej hadice.

**⚠ POZOR!** Tlakovú umývačku vždy skladujte na mieste, kde teplota neklesne pod 40 °F (4 °C). Čerpadlo tohto zariadenia je v prípade mrazu náchylné na trvalé poškodenie. ZÁRUKA SA NEVZŤAHUJE NA POŠKODENIE MRAZOM.

### Pokyny pri ukončení používania a skladovanie v zime

☼ Po skončení používania čistiaceho prostriedku dôkladne opláchnite saciu trubicu a dýzu čistiaceho prostriedku tým, že vložíte saciu trubicu do nádoby s čistou vodou a necháte dýzu čistiaceho prostriedku bežať pri maximálnom prietoku počas 30 sekúnd. Tým dôjde k vyplaveniu všetkých zvyškov čistiaceho prostriedku zo sacej trubice a dýzy.

 **Poznámka:** Ak nevykonáte dôkladné vyčistenie, môže dôjsť k upchatiu dýzy čistiaceho prostriedku a táto sa môže stať nefunkčnou.

☼ VYPNITE zariadenie a stlačte spúšť za účelom vypustenia zvyšného tlaku vnútri zariadenia.

☼ Odstráňte zo zariadenia záhradnú hadicu aj vysokotlakovú hadicu.

☼ Odstráňte násadec z pištole.

☼ ZAPNITE zariadenie a nechajte ich bežať počas 5 sekúnd. (Tým dôjde k vypusteniu väčšiny vody, ktorá zostala v čerpadle).

☼ Odpojte zariadenie od prívodu elektrického prúdu.


☼ Zmotajte vysokotlakovú hadicu a napájací kábel na navíjač hadice / kábla podľa obrázku.



☼ Uložte zariadenie a príslušenstvo na suchom, klimatizovanom mieste. Neskladujte zariadenie ani príslušenstvo na mieste, kde môže teplota klesnúť pod 40 °F (4 °C).


## 8. SPRIEVODCA ODSTRÁŇOVANÍM PROBLÉMOV

PREVÁDZKOVÝ PROBLÉM	MOŽNÁ PRÍČINA	RIEŠENIE
Čistiaci prostriedok sa nedávkuje	Čistiaci prostriedok nie je schválený pre danú tlakovú umývačku	Používajte len čistiace prostriedky, odmasťovače, vosky a iné čistiace roztoky, ktoré sú určené špeciálne pre tlakové umývačky. Čističe v tejto kategórii majú na štítku zreteľne uvedené, že nie sú určené na použitie v tlakových umývačkách. <b>NEPOUŽÍVAJTE</b> do vašej tlakovej umývačky žiadny iný typ čistiaceho roztoku. Nikdy do vášho zariadenia nepoužívajte bieliace prostriedky, čpavok alebo akýkoľvek druh kyseliny!
	Došlo k odpojeniu, zahmleniu alebo prekrúteniu sacej trubice	Dbajte na to, aby sacia trubica nebola poškodená a aby bola riadne pripojená k dýze čistiaceho prostriedku. Podľa potreby trubicu odpojte, vyčistite a znovu pripojte.
	Dýza čistiaceho prostriedku je zahmlená nečistotami	Vyčistite dýzu podľa pokynov v odseku Dýza v časti Údržba tohto návodu.
Pomer čistiaceho prostriedku a vody		Tlaková umývačka odoberá čistiaci prostriedok maximálne v pomere 10:1 vody a čistiaceho prostriedku. Väčšina čistiacich prostriedkov pre tlakové umývačky má koncentráciu v tomto intervale, takže nie je potrebné vykonávať zložité nastavenie meracieho ventilu dýzy čistiaceho prostriedku. Ak máte pocit, že používate viac čistiaceho prostriedku, než je pre dané použitie potrebné, môžete čistiaci prostriedok nariediť normálne vodou z vodovodu.



Došlo k zopnutiu ističa alebo prepáleniu poistky v poistkovej skrini	Prefažený elektrický obvod	Skontrolujte, či je elektrický obvod dimenzovaný na hodnotu 15 ampérov alebo vyššiu. Dbajte na to, aby k rovnakému obvodu neboli pripojené žiadne iné spotrebiče (vyhradený okruh).
	Príliš dlhý predlžovací kábel alebo príliš malý prierez vodiča	Neodporúčame použitie predlžovacieho kábla s vašou tlakovou umývačkou. Ak musíte predlžovací kábel použiť, skontrolujte, či spĺňa minimálne požiadavky uvedené v odseku Predlžovací kábel v časti Informácie o zdroji napájania a elektrickej časti v tomto návode.
Unikajúca voda zo striekacej pištole, násadca alebo vysokotlakovej hadice	Nesprávne pripojené príslušenstvo	Skontrolujte, či sú všetky súčasti (pištoľ, násadec, vysokotlaková hadica) správne pripojené podľa pokynov uvedených v tomto návode.
Nízky / nestabilný tlak alebo nedôjde k zastaveniu motora pri uvoľnení striekacej pištole  <b>Poznámka:</b> Tlaková umývačka nedostáva plný objem privádzanej vody. Zariadenie vyžaduje zdroj tlakovej vody s kapacitou aspoň 20 psi pri prietoku 20 galónov za minútu.	Vodovodný kohútik nie je plne otvorený	Skontrolujte, či je maximálne otvorený kohútik zdroja privádzanej vody.
	Záhradná hadica je príliš dlhá alebo je skrútená / zúžená	Použite maximálnu dĺžku záhradnej hadice 50 stôp (15,2 m) (voda z mestského vodovodu) alebo 25 stôp (7,5 m) (voda zo studne). Dbajte, aby bola záhradná hadica položená rovno a neboli na nej žiadne slučky alebo aby z nej neunikala voda. Záhradnú hadicu prípadne odvíjajte z cievky alebo z háku. V prípade potreby hadicu vymeňte.
	Vstupný vodný filer je upchatý	Vyberte sitko filer (O) z prívodu vody (M) a dôkladne ich vyčistite. Vymeňte sitko filer a.
	Príliš dlhý predlžovací kábel alebo príliš malý prierez vodiča	Neodporúčame použitie predlžovacieho kábla s vašou tlakovou umývačkou. Ak musíte predlžovací kábel použiť, skontrolujte, či spĺňa minimálne požiadavky uvedené v odseku Predlžovací kábel v časti Informácie o zdroji napájania a elektrickej časti v tomto návode.

Z dýzy nevychádza voda	Dýza je upchatá	Vyčistíte trysku dle pokynů uvedených v odstavci Tryska v části Údržba tohoto návodu.
	Vstupný vodný filer je upchatý	Vyjměte sítko filtu (O) z přívodu vody (M) a důkladně je vyčistěte. Vyměňte sítko filtu.
	Slučka na záhradnej hadici alebo je hadica namotaná na skladovacej cievke	Použite maximálnu dĺžku záhradnej hadice 50 stôp (15,2 m) (voda z mestského vodovodu) alebo 25 stôp (7,5 m) (voda zo studne). Dbajte na to, aby bola záhradná hadica položená rovno a neboli na nej žiadne slučky alebo aby z nej neunikala voda. Záhradnú hadicu prípadne odvíjajte z cievky alebo z háku. V prípade potreby hadicu vymeňte.
NEDÁ sa pohnúť spúšťou striekacej pištole	Je aktivovaná poistka pištole	Uvoľnite poistku podľa pokynov v odseku Spustenie v časti Obsluha tohto návodu.
Zariadenie sa nedá spustiť  <b>Poznámka:</b> Zariadenie sa spustí a beží len vtedy, keď je stlačená spúšť a strieka voda!	Zariadenie nie je ZAPNUTÉ	Skontrolujte, či je vypínač ZAPNUTÉ / VYPNUTÉ úplne v polohe ZAPNUTÉ.
Počas normálnej prevádzky dôjde k zastaveniu motora  <b>Poznámka:</b> K zopnutiu tepelnej poistky motora dochádza, pretože došlo k prehriatiu motora  Nechajte motor 20 minút vychladnúť a následne dôjde k automatickému resetu poistky	Príliš dlhý predlžovací kábel alebo príliš malý prierez vodiča	Neodporúčame použitie predlžovacieho kábla s vašou tlakovou umývačkou. Ak musíte predlžovací kábel použiť, skontrolujte, či spĺňa minimálne požiadavky uvedené v odseku Predlžovací kábel v časti Informácie o zdroji napájania a elektrickej časti v tomto návode.
	Chybná striekacia pištoľ	Vyčistíte dýzu podľa pokynov v odseku Dýza v časti Údržba tohto návodu.

<p>Pripojenie a odpojenie striekacieho násadca</p> <p> <b>Poznámka:</b></p> <p>Vzhľadom na vysoký tlak generovaný vašou tlakovou umývačkou musí násadec tesne doliehať k pištoľi. V dôsledku bežnej prevádzky môže byť ťažké násadec nasadiť alebo ho zložiť a tento úkon môže vyžadovať vynaloženie značnej sily.</p>		<p><b>Ak chcete nasadiť násadec</b> – vyviňte na násadec rovnomerný tlak smerom dole (v smere spúšte) a otáčajte pritom násadcom o 90° proti smeru hodinových ručičiek. Môže pomôcť, ak pištoľ položíte na rovný povrch tak, aby násadec smeroval nahor. Dva jazýčky na konci násadca musia byť plne vložené do pištole skôr, než dôjde k otočeniu násadca a jeho aretácii. Ak toto nefunguje, vyberte z konca násadca bajonetový o-krúžok a nasadte násadec na pištoľ bez tohto o-krúžku. Ak sa dá násadec nasadiť na pištoľ bez o-krúžku, treba o-krúžok vymeniť.</p>
		<p><b>Ak chcete odobrať násadec</b> – vypustíte z pištole / hadice všetok zvyšný tlak tým, že zariadenie VYPNETE a stlačíte spúšť pištole. Vyviňte na násadec rovnomerný tlak smerom dole (v smere spúšte) a otáčajte pritom násadcom o 90° v smere hodinových ručičiek. Môže pomôcť, ak pištoľ položíte na rovný povrch tak, aby násadec smeroval nahor.</p>

## 9. TECHNICKÉ ÚDAJE

Menovité napätie	230 V
Menovitý kmitočet	50 Hz
Menovitý príkon	1200 W
Menovitý tlak	6 MPa
Maximálny tlak	9 Mpa
Menovitý prietok	5,5 l/min.
Maximálny prietok	7,5 l/min.
Max. teplota prívodu vody	40°C
Dĺžka hadice	3 m
Prevádzkový dosah	8 m
Stupeň ochrany	II.
Dĺžka sieťového kábla	5 m
Rozmery (šírka x hĺbka x výška)	265 x 260 x 430 mm
Hmotnosť bez nasadeného príslušenstva	5,7 kg
Hmotnosť s nasadeným príslušenstvom	6,5 kg
Maximálny vstupný tlak vody v pascaloch	0,69 MPa
Minimálny vstupný tlak vody v pascaloch, ak je to nutné pre správnu činnosť spotrebiča	0,14 MPa
Úroveň akustického tlaku (L <sub>pa</sub> )	85 dB
Úroveň akustického výkonu meraná (L <sub>wa</sub> )	97 dB

Vibrácie: Ah=0,5 ms<sup>2</sup>, K=1,5 ms<sup>2</sup>

Tento prístroj je určený na prevádzku v sieti el. prúdu s impedanciou systému Z max v mieste pripojenia (domová prípojka) do hodnoty maximálne 0,277 Ohm. Používateľ musí zabezpečiť, aby bol prístroj prevádzkovaný len pripojením do siete el. prúdu, ktorá túto požiadavku plní. Ak je to potrebné, tak sa na impedanciu v systéme môžete opýtať miestneho energetického podniku.

Zmena textu a technických parametrov vyhradená.

Používateľská príručka je v jazykovej mutácii.

# 10. VYHLÁSENIE O ZHODE

**Výrobok / značka:** Vysokotlaková umývačka / FIELDMANN

**Typ / Model:** FDW 2004-E, FDW 201201-E ..... 230 V / 50 Hz/1 200 W

## Výrobok je v súlade s nižšie uvedenými predpismi:

- \* Smernica Európskeho parlamentu a Rady 2014/35/EU o harmonizácii právnych predpisov členských štátov týkajúcich sa elektrického zariadenia určeného na používanie v rámci určitých limitov napätia.
- \* Smernica Európskeho parlamentu a Rady 2014/30/EU o aproximácii právnych predpisov členských štátov vzťahujúcich sa na elektromagnetickú kompatibilitu a o zrušení smernice 89/336/EHS.
- \* Smernica Európskeho parlamentu a Rady 2006/42/ES zo 17. mája 2006 o strojových zariadeniach a o zmene a doplnení smernice 95/16/ES.
- \* Smernica Európskeho parlamentu a Rady 2011/65/EU z 27. januára 2003 o obmedzení používania určitých nebezpečných látok v elektrických a elektronických zariadeniach.
- \* Smernice Evropského parlamentu a Rady 2005/88/ES.

## a normami:

- \* EN 55014-1: 2006 + A1: 2009 + A2: 2011
- \* EN 55014-2: 1997 + A1: 2001 + A2: 2008
- \* EN 61000-3-2: 2006 + A1: 2009 + A2: 2009
- \* EN 61000-3-3: 2013
- \* EN 60335-1: 2012
- \* EN 60335-2-79: 2012
- \* EN 62233: 2008

**Označenie CE:** ..... 16

Spoločnosť FAST ČR, a.s. je oprávnená konať menom výrobcu.

## Výrobca:

FAST ČR, a.s.  
Černokostelecká 2111, 100 00 Praha 10, Česká republika  
DIČ: CZ26726548

V Prahe, 17. 11. 2016

Meno: Ing. Zdeněk Pech  
Predseda predstavenstva

**FAST** FAST ČR, a.s.  
Černokostelecká 1621, 251 01 Říčany  
IČO: 26726548 tel.: +420/ 323 204 111  
DIČ: CZ26726548 fax: +420/ 323 204 110



Podpis a pečiatka

# 11. LIKVIDÁCIA

## POKYNY A INFORMÁCIE O ZAOBCHÁDZANÍ S POUŽITÝM OBALOM

Použitý obalový materiál odložte na miesto určené obcou na ukladanie odpadu.

## LIKVIDÁCIA POUŽITÝCH ELEKTRICKÝCH A ELEKTRONICKÝCH ZARIADENÍ



Tento symbol na produktoch alebo v sprievodných dokumentoch znamená, že použité elektrické a elektronické výrobky sa nesmú pridávať do bežného komunálneho odpadu. Na správnu likvidáciu, obnovu a recykláciu odovzdajte tieto výrobky na určené zberné miesta. V niektorých krajinách Európskej únie alebo iných európskych krajinách môžete vrátiť svoje výrobky miestnemu predajcovi pri kúpe ekvivalentného nového produktu. Správnou likvidáciou tohto produktu pomôžete zachovať cenné prírodné zdroje a napomáhate prevencii potenciálnych negatívnych dopadov na životné prostredie a ľudské zdravie, čo by mohlo byť dôsledkom nesprávnej likvidácie odpadov. Ďalšie podrobnosti si vyžiadajte od miestneho úradu alebo najbližšieho zberného miesta. Pri nesprávnej likvidácii tohto druhu odpadu môžu byť v súlade s národnými predpismi udelené pokuty.

### Pre podnikové subjekty v krajinách Európskej únie

Ak chcete likvidovať elektrické a elektronické zariadenia, vyžiadajte si potrebné informácie od svojho predajcu alebo dodávateľa.

### Likvidácia v ostatných krajinách mimo Európskej únie

Tento symbol je platný v Európskej únii. Ak chcete tento výrobok zlikvidovať, vyžiadajte si potrebné informácie o správnom spôsobe likvidácie od miestnych úradov alebo od svojho predajcu



Tento výrobok spĺňa všetky základné požiadavky smerníc EÚ, ktoré sa naň vzťahujú.

Zmeny v texte, dizajne a technických špecifikáciách sa môžu meniť bez predchádzajúceho upozornenia a vyhradzujeme si právo na ich zmenu.







# Eredeti használati útmutató

## HASZNÁLATI ÚTMUTATÓ

**Köszönjük, hogy cégünk eredeti használati útmutató megvásárlása mellett döntött. A készülék használatba vétele előtt olvassa el figyelmesen a használati útmutatót, és őrizze meg a későbbi újraolvasáshoz.**

## TARTALOM

1. ÁLTALÁNOS BIZTONSÁGI ELŐÍRÁSOK .....	70
2. JELÖLÉSEK .....	71
3. A TERMÉK LEÍRÁSA .....	73
4. BIZTONSÁGI UTASÍTÁSOK .....	74
5. SZERELÉSI ÚTMUTATÓ .....	77
6. BEKAPCSOLÁS .....	78
7. TÁROLÁS .....	81
8. HIBAMEGSZÜNTETÉSI ÚTMUTATÓ .....	82
9. MŰSZAKI ADATOK .....	86
10. MEGFELELŐSÉGI NYILATKOZAT .....	87
11. MEGSEMMISÍTÉS .....	88

# 1. ÁLTALÁNOS BIZTONSÁGI ELŐÍRÁSOK

## Fontos biztonsági figyelmeztetések


- ✿ Figyelmesen csomagolja ki a terméket, és ügyeljen arra, hogy ne dobja ki a csomagolás semelyik részét mindaddig, amíg meg nem találta a termék valamennyi alkotóelemét.
- ✿ A terméket száraz helyen, gyermekektől távol tartsa.
- ✿ Olvassa el az összes figyelmeztetést és utasítást. A figyelmeztetések be nem tartás áramütéshez, tűzhoz és/vagy súlyos sérülésekhez vezethet.

## Csomagolás

A csomagolóanyag szállítás közben óvja a terméket. Ez a csomagolás nyersanyag, ezért újrahasznosítás céljával leadható.

## Használati útmutató

Mielőtt megkezdené a munkavégzést a készülékkel, olvassa el figyelmesen a következő biztonsági és használati utasításokat. Ismerkedjen meg a gép kezelőszerveivel, és a helyes használat szabályaival. A használati útmutató őrizze meg egy esetleges későbbi újraolvasáshoz. A csomagolóanyagot, beleértve a belső csomagolóanyagot, a pénztárblokkot és a jótállási jegyet is, ajánlott legalább a jótállás érvényessége alatt megőrizni. Szállítás esetén csomagolja vissza a készüléket a gyártótól kapott eredeti dobozba, így biztosíthatja a termék esetleges szállítás közbeni maximális védelmét (pl. költözés vagy szervizbe küldés).

 **Megjegyzés:** Amennyiben a készüléket más személyeknek kívánja átadni, mellékelje a használati útmutatót is. A mellékelt használati útmutató betartása a sövénynyíró előírás szerű használatának előfeltétele. A használati útmutató egyben használati, kezelési és javítási utasításokat is tartalmaz.

**A gyártó nem felel a jelen használati útmutató be nem tartása következtében felmerült sérülésekért vagy károkért.**

## 2. JELÖLÉSEK



Kérjük, hogy a saját biztonsága, valamint a közelben tartózkodó egyéb személyek biztonságának érdekében olvassa el figyelmesen ezt a használati útmutatót, mielőtt a nagynyomású tisztító berendezést beüzemelné. Őrizze meg ezt a használati útmutatót, és adja át minden további felhasználónak.

A munka megkezdése előtt ismerkedjen meg minden kezelőszervvel, különösen azok funkcióival és szerepével. Szükség szerint kérjen tájékoztatást szakembertől. Figyelmesen olvassa el ezt a használati útmutatót.



**Figyelem!** A hálózati kábel megsérülése vagy átvágása esetén haladéktalanul húzza ki a villásdugót a hálózati csatlakozóaljzatból.



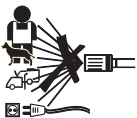
A készülék nem alkalmas ivóvíz szolgáltató készülékhez való csatlakoztatásra.



Érintésvédelmi osztály.



A termék a vonatkozó érvényes szabványokkal összhangban készült.



Helytelen használat esetén a nagynyomású tisztító veszélyt jelenthet. Tilos a vízsugarat személyekre, állatokra, áram alatt lévő elektromos készülékekre, vagy magára a berendezésre irányítani.

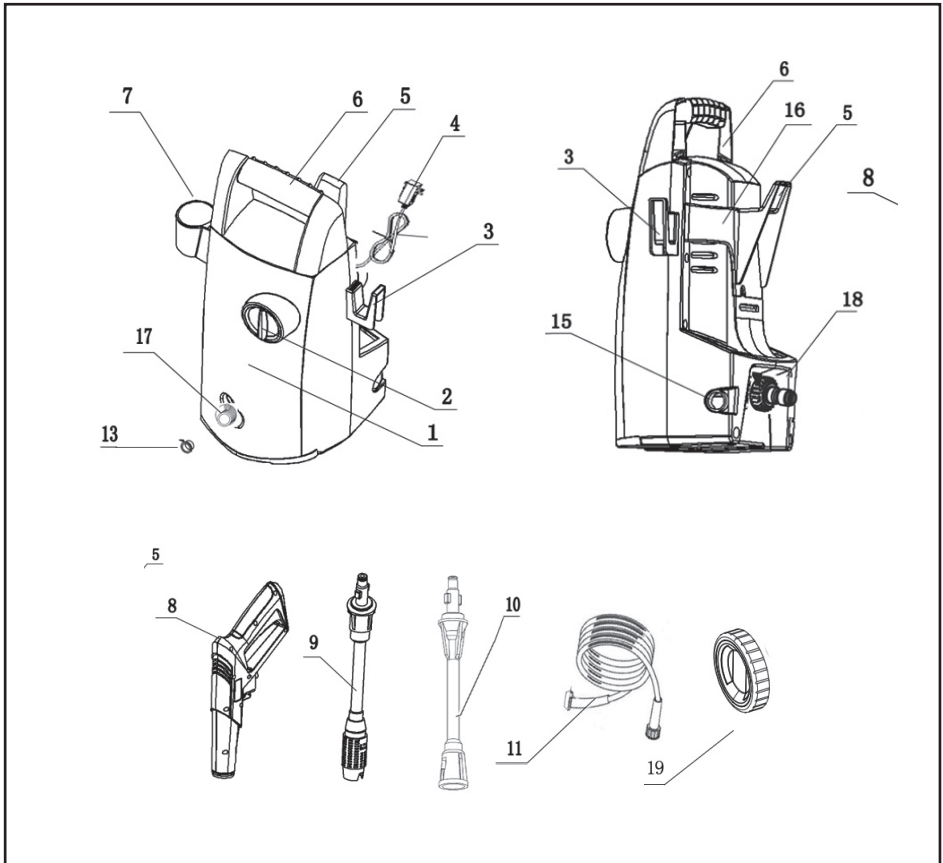


Az elektromos készülékeket tilos standard háztartási hulladékként megsemmisíteni.



Védje a fülét.

### 3. A TERMÉK LEÍRÁSA



- 1 - Motor és a szivattyúházat
- 2 - On / Off kapcsoló
- 3 - Szerelje fel a magasnyomású tömlő / kábel-
- 4 - A hálózati csatlakozó
- 5 - Nagynyomású tömlőtartó
- 6 - Kezelje
- 7 - Holder tartozékok
- 8 - Spray Gun
- 9 - Változó szórófej kézidarabon

- 10 - Változó szórófej kézidarabon
- 11 - Nagynyomású tömlő
- 13 - Közlekedési dugó
- 15 - Fedezze a lyukat a kerék
- 16 - Fúvókatartók
- 17 - Nagynyomású outlet (fém)
- 18 - A belépő víz (műanyag)
- 19 - Kerekek

## 4. BIZTONSÁGI UTASÍTÁSOK

### ⚠ **VIGYÁZAT!**

Helytelen használat esetén a nagynyomású tisztítók fúvófeje veszélyt jelentethet. A fúvófejet soha ne irányítsa személyekre, áram alatt lévő elektromos készülékekre se magára a berendezésre.

### ⚠ **VIGYÁZAT!**

Soha ne használja a berendezést más személyek közelében, ha azok nem rendelkeznek megfelelő védőöltözettel.

### ⚠ **VIGYÁZAT!**

Soha ne irányítsa a fúvófejet saját maga vagy más személyek felé ruha vagy cipőtisztítás céljával.

### ⚠ **VIGYÁZAT!**

Robbanásveszély – Ne használjon tűzveszélyes folyadékokat.

### ⚠ **VIGYÁZAT!**

A nagynyomású tisztítót gyermekek és a készülék használatát el nem sajátító személyek nem üzemeltethetik.

### ⚠ **VIGYÁZAT!**

A nagynyomású tömlők, szerelvények és csatlakozóelemek elengedhetetlenek a gép biztonságos használatához. Kizárólag a gyártó által ajánlott tömlőket, szerelvényeket és csatlakozóelemeket használjon.

### ⚠ **VIGYÁZAT!**

A gép biztonságos használatának érdekében minden esetben kizárólag gyári, illetve a gyártó által jóváhagyott pótalkatrészeket használjon.

### ⚠ **VIGYÁZAT!**

Tisztításkor és karbantartáskor, valamint alkatrészcserekor és átalakításkor a gépet a villásdugó elektromos áramkörből történő kihúzásával kell áramtalanítani;

### ⚠ **VIGYÁZAT!**

Ne használja a gépet, ha a csatlakozóvezetéke vagy más fontos alkatrészei, pl. a biztonsági berendezései, a nagynyomású tömlő vagy a főkapcsoló sérültek.

### ⚠ **VIGYÁZAT!**

A nem megfelelő hosszabbító vezetékek használata veszélyt jelenthet. Hosszabbító kábel használata esetén mind a villásdugónak, mind a csatlakozó bemenetnek vízálló kivitelűnek kell lennie, a csatlakozást szárazon kell tartani és nem érhet a talajhoz. Ajánlott mindezt csatlakozó vezeték tartó segítségével biztosítani, amely legalább 60 mm-rel a talaj felett tartja a vezetéket.

**⚠ VIGYÁZAT!**

Ha a gépet felügyelet nélkül kívánja hagyni, minden esetben kapcsolja ki a főkapcsolót.

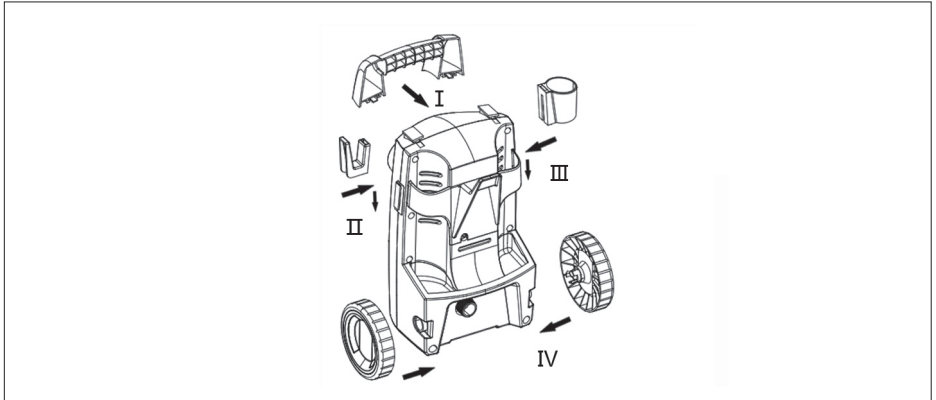
- ✿ A terméket óvatosan csomagolja ki, és ügyeljen arra, hogy a csomagolóanyag egyik részét se dobja ki korábban, mint hogy megtalálja a termék összes részét.
- ✿ Ezt a terméket nem olyan személyeknek (beleértve gyerekeket) tervezeték, amik csökkent fizikai vagy szellemi képességűek vagy korlátozott tapasztalatú és tudású személyek, ha nincs mellettük felügyelő, vagy biztonságukért felelős személy, aki ellátta őket a berendezés használatára vonatkozó utasításokkal.
- ✿ Soha ne használjon olyan tartozékokat, amiket nem ehhez a termékhez kapott, vagy nem a vele való használatra készültek.
- ✿ Soha ne próbálja maga megjavítani a készüléket, és ne végezzen rajta semmilyen átalakításokat - ellenkező esetben áramütés veszélyének teszi ki magát és környezetét! A terméken végrehajtani kívánt valamennyi javítást és beállítást bízza szakértő cégre/ szakszervizre. Ha a jótállási idő alatt beavatkozik a készülékbe, elveszítheti a jótállásra vonatkozó jogát.
- ✿ Soha ne használja a készüléket, ha nedves a keze vagy a lába.
- ✿ A terméket éghető vagy illékony anyagok közelében ne használja és ne tárolja.
- ✿ A terméket ne tegye ki szélsőséges hőmérsékletnek, közvetlen napfénynek, fokozott nedvességnek, és ne tegye fokozottan poros környezetbe.
- ✿ A terméket ne helyezze fűtőtestek, nyílt láng vagy más, hőforrásként szolgáló készülékek és berendezések közelébe.
- ✿ Soha ne használja a berendezést a rendeltetésszerű használattól eltérő módon.
- ✿ A termék hálózati aljzathoz csatlakoztatása előtt győződjön meg arról, hogy a hálózati feszültség értéke megfelel a készülék gyári adatlapján szereplő feszültség-adatnak.
- ✿ Soha ne fektesse a tápkábelt forró felületekre vagy éles tárgyakra. Ne helyezzen a tápkábelre nehéz tárgyakat, és olyan helyre fektesse, ahol nem lép rá és nem botlik meg benne senki. Ügyeljen arra, hogy a tápkábel ne érintkezzen semmilyen forró felülettel.
- ✿ Ha a termék tápkábele sérült, a cseréjét bízza szakemberre, hogy elkerülje a veszélyes helyzetek kialakulását. Sérült hálózati kábellel vagy villásdugóval rendelkező készüléket tilos használni.

- ✿ A dugót ne a kábel rángatásával húzza ki a hálózati aljzatból.
- ✿ Ügyeljen arra, hogy a termékre ne fröccsenjen víz se más folyadék. A termékbe soha ne öntsön vizet se más folyadékot. A terméket ne merítse vízbe se más folyadékba.
- ✿ A készüléket soha ne használja kád, mosdó vagy más vízzel teli edény közelében.
- ✿ Ha a készüléket éppen nem használja, vagy nem fogja használni, kapcsolja ki, és húzza ki az elektromos hálózathoz. Tisztítás előtt ugyanígy járjon el.
- ✿ A terméket soha ne hagyja felügyelet nélkül bekapcsolva.
- ✿ Mielőtt elraktározná a készüléket, hagyja kihűlni.
- ✿ Ha a készüléket gyermekek közelében kívánja használni, fokozott körültekintéssel járjon el. A készüléket minden esetben tartsa tőlük távol. A gyerekeknek felügyelet alatt kell lenniük annak biztosítása érdekében, hogy nem fognak a készülékkel játszani.
- ✿ A nagyobb biztonság érdekében az elektromos bekötést bízva villanyszerelő szakemberre, ajánlott 30mA/30ms áram védőkapcsoló, vagy a földelést felügyelő berendezés alkalmazása (a telepítés lehetőségeiről tájékozódjon a villanyszerelőnél).
- ✿ A tápkábel erőszakos rángatása annak sérülését okozhatja.
- ✿ A tömlő megsérülésének elkerülése érdekében soha ne lépjen rá, és ne próbálja erővel meghajlítani. A terméket soha ne használja törött vagy más módon sérült tömlővel.
- ✿ Ne menjen át a tápkábelen a termékkel.
- ✿ Ez a termék hőkioldóval rendelkezik - a motor vagy szivattyú túlmelegedése esetén a hőkioldó kikapcsolja a készüléket. Amint a motor vagy a szivattyú kihűl, a termék újra bekapcsolható. **FIGYELEM!!!!** A hőkioldó váratlan kiiktatása okozta veszély elkerülése érdekében a fogyasztó nem táplálható külső kapcsoló berendezés (pl. időkapcsoló) közbeiktatásával, továbbá nem csatlakoztatható olyan áramkörhöz, amelyet rendszeres be-/kikapcsolás jellemez.
- ✿ A nagynyomású vízszugár helytelen használat esetén veszélyes lehet. Tilos a vízugarat más személyekre, a felhasználóra, állatokra, elektromos berendezésekre vagy magára a nagynyomású tisztító készülékre irányítani.
- ✿ Soha ne tegye se a szórópisztolyt, se a toldatot a szemébe, fülébe.
- ✿ Ha hosszabbító kábel használatára van szükség, vízszigetelő kivitelűt használjon.
- ✿ A gyártó nem felel a berendezés vagy tartozékai helytelen használatából adódó károkért (személyi sérülés, égési sérülés, leforrázás, tűz, élelmiszer megromlás stb.)

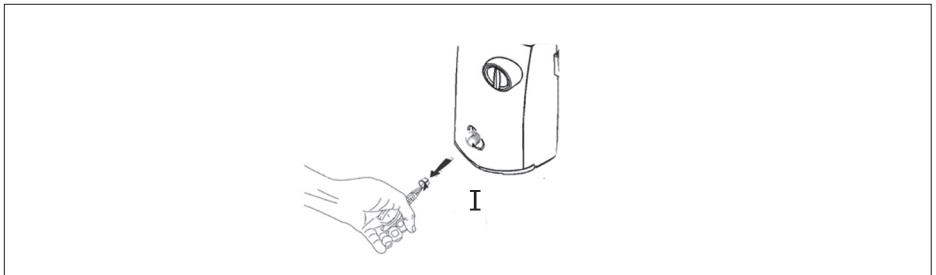


## 5. SZERELÉSI ÚTMUTATÓ

- ✿ Vegye ki a csomagolásból az összes alkatrészt.
- ✿ Kattintsa



- ✿ Távolítsa el a készülék elülső oldalán található szállítódugót.



### A NAGNYOMÁSÚ TISZTÍTÓ EGYES ELEMEI AZ ÁLLÍTHATÓ SZÓRÓFEJ HASZNÁLATA

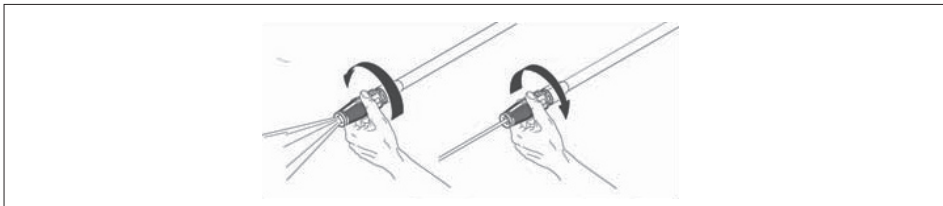
#### ⚠ **VIGYÁZAT!** FIGYELEM!:

A nagynyomású tisztítóból kilépő erős vízszugár számos felület (pl. fa, üveg, karosszérialakk) autótartozékok és díszlécek, továbbá érzékeny szerkezetek (virágok, bokrok) sérülését okozhatja. Használat előtt győződjön meg arról, hogy a megtisztítani kívánt felület megfelelő ellenálló képességű az erős vízszugárral szemben. A 0° szög alatti vékony vízszugár rendkívül agresszív. A tisztítandó felület sérülésének megelőzése érdekében 20° vízszugár szög alkalmazása ajánlott a legtöbb tisztítási művelethez.

**Megjegyzés:** A vízszugár tisztítandó felületre kifejtett nyomása annál erősebb, minél közelebb van a szórófej a tisztítani kívánt felülethez.

A nagynyomású víz tisztításra és öblítésre alkalmas.

Ha nagynyomású vízzel kíván dolgozni, húzza vissza az állítható toldaton a szórófejet.



## 6. BEKAPCSOLÁS

### ⚠ **VIGYÁZAT!** VESZÉLY!

Erős vízszugár okozta sérülés veszélye. Ha nem használja a szórópisztolyt, minden esetben aktiválja a kioldógombot. Ellenkező esetben véletlenszerűen bekapcsolt vízszugár jelentette veszélynek teszik ki magát és környezetét.

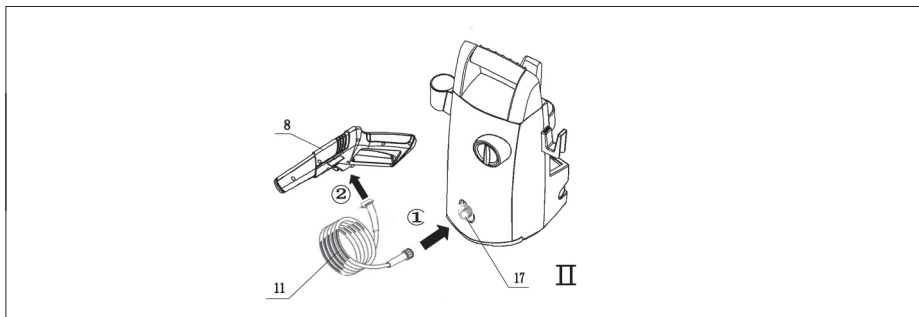
### ⚠ **VIGYÁZAT!** FIGYELEM!

Balesetveszély. Soha ne irányítsa a kilépő vízszugarat saját magára se más személyekre.

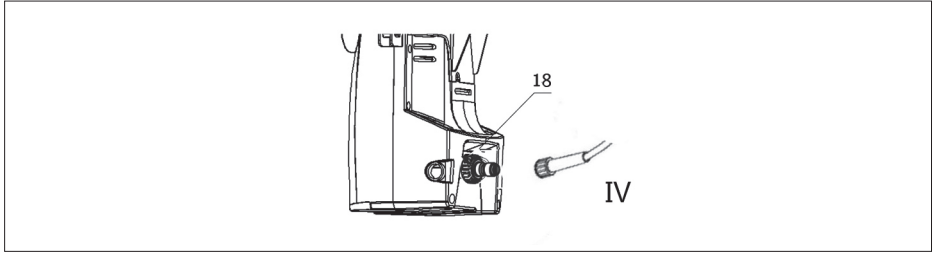
### ⚠ **VIGYÁZAT!** FIGYELEM!

Veszélyes üzem jelentette kockázat. Stabil talajon álljon, és tartsa biztosan mindkét kezével a szórópisztolyt / szórófejet.

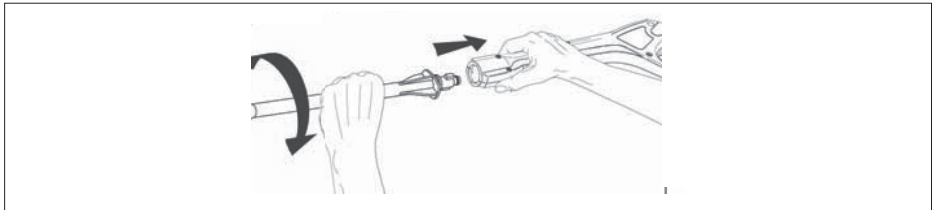
- ✿ Csatlakoztassa a nagynyomású tömlőt a berendezés kilépő nyílásához. Ügyeljen arra, hogy a menetek megfelelően illeszkedjenek, és a csatlakoztatás biztonságos legyen.



- ✿ Csatlakoztassa a kerti locsolótömlőt a készülék hátoldalán található bemenethez. A csatlakoztatást megelőzően öblítse át a locsolótömlőt (nem képezi a csomagolás részét) vízzel annak érdekében, hogy eltávolítson belőle minden idegen tárgyat.



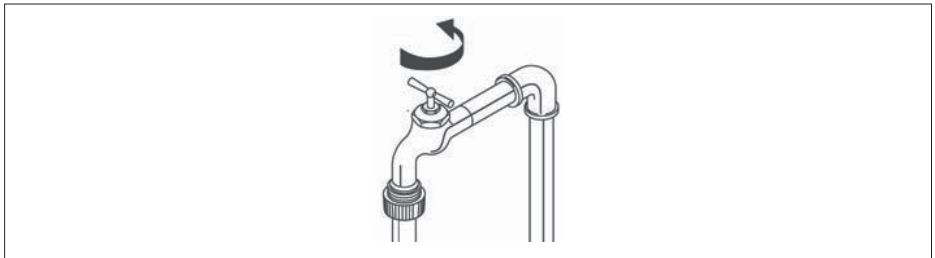
- ☼ Helyezze a szórópisztolyba a szórófejes toldatot úgy, hogy egyszerre nyomja, és az óramutatók járásával ellentétes irányba elforgatja 1/4 fordulathyt, amíg a helyére nem kattan.



**⚠ VIGYÁZAT! FIGYELEM!**

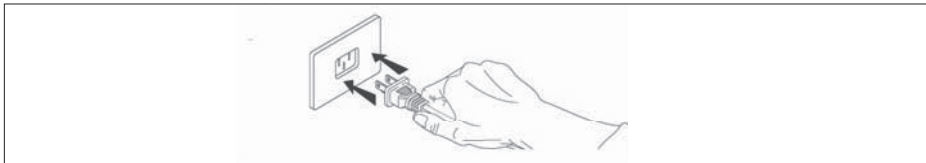
Ha a toldat nincs biztonságosan rögzítve, használat közben a nagy nyomás következtében kiugorhat a helyéről, és személyi sérülést vagy anyagi kárt okozhat.

- ☼ Nyissa ki a vizet a maximális átfolyás érdekében.

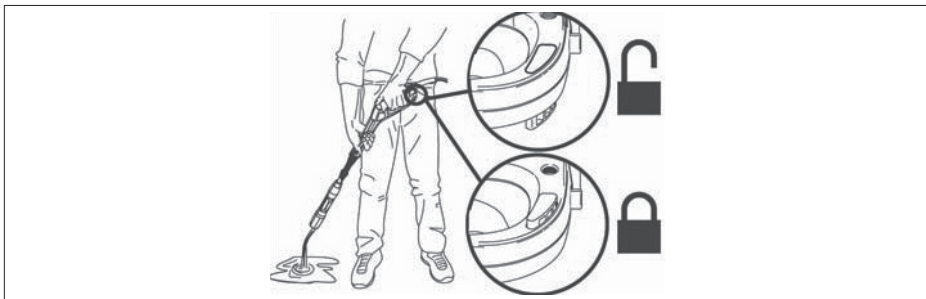


- ☼ Csatlakoztassa a készüléket megfelelő elektromos csatlakozóaljzathoz.

**📖 Megjegyzés:** A tápforrásnak a következő műszaki paramétereknek kell megfelelnie: 230 V, 50 Hz és legalább 15 amper.



- Ellenőrizze le, hogy a szórópisztoly kioldógombja ki van oldva, és húzza meg a ravaszt, amíg a szórófejből már nem levegő, hanem alacsony nyomású egyenletes vízszugár nem távozik.



- Állítsa a kapcsolót BEKAPCSOLT állásba. Figyelje meg, hogy a motor rövid időre bekapcsol, majd ismét leáll.



- Nyomja meg a motor beindításához a ravaszt, és kezdje el a nagynyomású mosást.

**Megjegyzés:** A motor csak akkor fut, ha be van húzva a ravasz, és fröcsköl a víz.

## Kikapcsolás

A készülék helyes kikapcsolására és mentésére vonatkozó tájékoztatás jelen használati útmutató Tárolás című fejezetében olvasható.

## 7. TÁROLÁS

### **VIGYÁZAT!** FIGYELEM!

A készülék hordozása előtt minden esetben csatlakoztassa le róla a kerti locsolótömlőt.

### **VIGYÁZAT!** FIGYELEM!

A nagynyomású tisztítót minden esetben olyan helyen tárolja, ahol a hőmérséklet nem csökken 40° F (4° C) alá. Megfagyás esetén a készülék szivattyúja tartósan károsodhat. A KÉSZÜLÉKRE NYÚJTOTT JÓTÁLLÁS NEM VONATKOZIK A FAGY OKOZTA KÁROKRA.

### Eltárolás, raktározás a téli időszakban

✿ A nagynyomású tisztító használatának befejezését követően alaposan öblítse ki a szívócsövet és a tisztítószer fúvófejet. Ehhez helyezze a szívócsövet tiszta vizet tartalmazó edénybe, és folyasson át rajta 30 mp-ig maximális vízmennyiséget. Ez által kimosódik a szívócsőből és a szórófejből minden tisztítószer-maradvány.

#### **Megjegyzés:**


Ha nem tisztítja meg alaposan a készüléket, a tisztítószer-szórófej eltömődhet, és használhatatlanná válhat.

- ✿ KAPCSOLJA KI a készüléket, majd a berendezésben lévő maradék nyomás kiengedéséhez húzza meg a ravaszt.
- ✿ Csatlakoztassa le a berendezésről a kerti locsolótömlőt és a nagynyomású tömlőt.
- ✿ Vegye le a szórópisztolyról a toldatot.
- ✿ KAPCSOLJA BE a készüléket, és hagyja 5 másodpercig üresjáraton futni. (Ez alatt távozik a szivattyúban maradt víz legnagyobb része).
- ✿ Csatlakoztassa le a készüléket az elektromos hálózatról.
- ✿ Csavarja fel a tartóra a nagynyomású tömlőt és a tápkábelt a képen látható módon.
- ✿ Raktározza el a készüléket száraz, klimatizált helyiségben. Ne tárolja olyan helyen, ahol a hőmérséklet 40° F (4° C) alá csökkenhet.




## 8. HIBAMEGSZÜNTETÉSI ÚTMUTATÓ

PROBLÉMA	LEHETSÉGES OK	MEGOLDÁS
A készülék nem adagol tisztítószert	A tisztítószert nincs jóváhagyva a nagynyomású tisztítóban történő használatra	Kizárólag olyan tisztítószereket, zsírtalanítókat, viaszokat és más egyéb tisztító oldatokat használjon, amelyek speciálisan nagynyomású tisztítóokban történő használatra alkalmasak. Az e kategóriába tartozó tisztítószerek címkéjén jól láthatóan feltüntetésre került, hogy alkalmasak a nagynyomású tisztítóokban való használatra. Semmilyen más tisztító oldat típus NE HASZNÁLJON a nagynyomású tisztítójához. A készülékkel soha ne használjon semmilyen fehérítőszert, ammóniát se semmilyen savat!
	A szívótömlő lekapcsolódott, eltömődött vagy megtört	Ügyeljen arra, hogy a szívócső ne legyen sérült, valamint hogy megfelelően a tisztítószert fűvókához legyen csatlakoztatva. Szükség szerint csatlakoztassa le a csövet, majd tisztítsa meg és újra csatlakoztassa a készülékhez.
	A tisztítószert fűvófejet eltömítette a szennyeződés	A fűvófejet a jelen használati útmutató Karbantartás fejezetének Fűvófej bekezdésében ismertetett elvekkel összhangban tisztítsa meg.
Tisztítószert és víz aránya		A nagynyomású tisztító legfeljebb 10:1 víz-tisztítószert arányú oldatot alkalmaz. A nagynyomású tisztítóokban használható tisztítószerek nagyobb része ebben az koncentrációs-intervallumban mozog, így nincs szükség a tisztítószert-fűvóka mérőszelvényének bonyolult beállítására. Amennyiben az az érzése, hogy a szükségesnél több tisztítószert használ a gépe, hígítsa sima vízzel.

Kapcsolt a megszakító vagy kiegészített a biztosíték a biztosítékházban	Túlterhelt elektromos áramkör	Ellenőrizze le, hogy az elektromos áramkör 15 vagy annál magasabb amper értékre van-e tervezve. Ügyeljen arra, hogy azonos áramkörre ne csatlakozzon semmilyen más fogyasztó (saját áramkör).
	Túlságosan hosszú hosszabbító kábel vagy túlságosan kicsi vezeték keresztmetszet	A nagynyomású tisztító esetében hosszabbító kábel alkalmazása nem ajánlott. Amennyiben ennek ellenére használnia kell, ellenőrizze le, hogy megfelel a jelen használati útmutató Tájékoztató az áramforrásról és elektromos részekről c. fejezetének Hosszabbító kábel c. bekezdésében feltüntetett minimális követelményeknek.
Víz szivárog a szórópisztolyból, toldatból vagy nagy nyomású tömlőből	Helytelenül csatlakoztatott tartozékok	Ellenőrizze le, hogy minden alkatrész (szórópisztoly, toldat, nagynyomású tömlő) a használati útmutatóban ismertetett utasításoknak megfelelően, helyesen lett csatlakoztatva.
Alacsony / instabil nyomás, vagy a motor nem áll le a szórópisztoly elengedésekor  <b>Megjegyzés:</b> A nagynyomású tisztító NEM KAP elegendő vizet. A készülék használatához legalább 20 psi / 20 gallon / perc mennyiségű vizet igényel.	A vízcsap nincs teljesen kinyitva	Ellenőrizze le, hogy maximálisan ki van nyitva a vízcsap.
	A kerti locsolótömlő túlságosan hosszú vagy megtört / összeszűkült	Legfeljebb 15 méter (csapvíz esetén) vagy 7,5 méter (kútvíz esetén) hosszú kerti locsolócsövet használjon. Ügyeljen arra, hogy a kerti locsolócső egyenesen fusson, csomók nélkül, és ne szivároгjon belőle a víz. A kerti locsolótömlő kihúzásához szükség szerint használjon csévé. Szükség esetén cserélje ki a tömlőt.
	Eltömődött vízsűrő	Vegye ki a szűrőt (O) a vízbekötésnél (M), és alaposan tisztítsa meg. Cserélje ki a szűrőt.
	Túlságosan hosszú hosszabbító kábel vagy túlságosan kicsi vezeték keresztmetszet	A nagynyomású tisztító esetében hosszabbító kábel alkalmazása nem ajánlott. Amennyiben ennek ellenére használnia kell, ellenőrizze le, hogy megfelel a jelen használati útmutató Tájékoztató az áramforrásról és elektromos részekről c. fejezetének Hosszabbító kábel c. bekezdésében feltüntetett minimális követelményeknek.

A fűvófejből nem jön víz	Eltömődött fűvófej	A fűvófejet a jelen használati útmutató Karbantartás fejezetének Fűvófej bekezdésében ismertetett elvekkkel összhangban tisztítsa meg.
	Eltömődött vízszűrő	Vegye ki a szűrőt (O) a vízbekötésnél (M), és alaposan tisztítsa meg. Cserélje ki a szűrőt.
	A kerti locsolótömlő túlságosan hosszú vagy megtört / összeszűkül	Legfeljebb 15 méter (csapvíz esetén) vagy 7,5 méter (kútvíz esetén) hosszú kerti locsolócsövet használjon. Ügyeljen arra, hogy a kerti locsolócső egyenesen fusson, csomók nélkül, és ne szivároгjon belőle a víz. A kerti locsolótömlő kihúzásához szükség szerint használjon csévé. Szükség esetén cserélje ki a tömlőt.
A szórópisztoly ravaszát NEM LEHET MEGHÚZNI	Aktiválva van a szórópisztoly kioldógombja	Deaktiválja a kioldógombot a jelen használati útmutató Kezelés fejezetének Bekapcsolás bekezdésében olvasható utasításoknak megfelelően
A készülék nem kapcsolható be  <b>Megjegyzés:</b> A készülék kizárólag akkor kapcsolható be és működik, ha be van húzva a ravasz, és fröcsköl a víz!	A berendezés nem BEKAPCSOLT állapotú	Ellenőrizze le, hogy a BE/KI főkapcsoló teljesen BEKAPCSOLT állású-e.



<p>Standard üzem közben leáll a motor</p> <p> <b>Megjegyzés:</b> A motor túlmelegedése miatt kiolvad a hőbiztosíték</p> <p>Hagyja 20 percig hűlni a motort, majd a biztosíték automatikusan reseteli magát</p>	<p>Túlságosan hosszú hosszabbító kábel vagy túlságosan kicsi vezeték keresztmetszet</p>	<p>A nagynyomású tisztító esetében hosszabbító kábel alkalmazása nem ajánlott. Amennyiben ennek ellenére használnia kell, ellenőrizze le, hogy megfelel a jelen használati útmutató Tájékoztató az áramforrásról és elektromos részekről c. fejezetének Hosszabbító kábel c. bekezdésében feltüntetett minimális követelményeknek.</p>
<p>A szórófej csatlakoztatása és lecsatlakoztatása</p> <p> <b>Megjegyzés:</b> Tekintettel a nagynyomású tisztító által előállított nagy nyomásnak a toldatnak szorosan kell illeszkednie a szórópisztolyhoz. A standard használat következtében elképzelhető, hogy a toldat felhelyezése és eltávolítása nehézkes, és meglehetősen nagy erő kifejtését igényli.</p>	<p>Meghibásodott szórópisztoly</p>	<p>A fúvófejet a jelen használati útmutató Karbantartás fejezetének Fúvófej bekezdésében ismertetett elvekkel összhangban tisztítsa meg.</p>
<p>A szórófej csatlakoztatása és lecsatlakoztatása</p> <p> <b>Megjegyzés:</b> Tekintettel a nagynyomású tisztító által előállított nagy nyomásnak a toldatnak szorosan kell illeszkednie a szórópisztolyhoz. A standard használat következtében elképzelhető, hogy a toldat felhelyezése és eltávolítása nehézkes, és meglehetősen nagy erő kifejtését igényli.</p>		<p><b>Ha fel kívánja helyezni a toldatot</b> - fejtse ki rá lefelé (a ravasz felé) irányuló egyenletes nyomást, és közben forgassa el 90°-kal az óramutatók járásával szemben. Ehhez segítséget jelent, ha a szórópisztolyt egyenes felületre fekteti úgy, hogy a toldat felfelé nézzen. A toldat végén található két nyelvnek teljesen a szórópisztolyban kell lennie, mielőtt a toldatot elfordítaná és rögzítené. Amennyiben ez nem megy, vegye ki a toldat végéből a bajonett o-gyűrűt, és helyezze a fel a toldatot ezen o-gyűrű nélkül. Ha a toldat o-gyűrű nélkül felhelyezhető a szórópisztolyra, az o-gyűrű cseréjére van szükség.</p>
		<p><b>Ha el kívánja távolítani a toldatot</b> - engedje ki a szórópisztolyból / tömlőből az összes maradék nyomás úgy, hogy a készüléket KIKAPCSOLJA, és behúzza a ravaszt. Fejtse ki egyenletes nyomás lefelé (a ravasz felé) irányuló egyenletes nyomást, és közben forgassa el 90°-kal az óramutatók járásával azonos irányban. Ehhez segítséget jelent, ha a szórópisztolyt egyenes felületre fekteti úgy, hogy a toldat felfelé nézzen.</p>

## 9. MŰSZAKI ADATOK

Névleges feszültség	230 V
Névleges frekvencia	50 Hz
Névleges teljesítmény	1200 W
Névleges nyomás	6 MPa
Maximális nyomás	9 Mpa
Névleges átfolyás	5,5 l/min.
Maximális átfolyás	7,5 l/min.
Max. beömlő víz hőmérséklet	40°C
Tömlőhossz	3 m
Hatótávolság	8 m
Érintésvédelmi osztály	II.
Hálózati kábel hossza	5M
Méretek (szélesség x mélység x magasság)	265 x 260 x 430 mm
Tömeg tartozékok nélkül	5,7 kg
Tömeg tartozékokkal	6,5 kg
Maximális belépő víz nyomás pascalban	0,69 MPa
Minimális belépő víz nyomás pascalban, amennyiben a helyes működéséhez szükséges	0,14 MPa
Hangnyomásszint (Lpa)	85 dB
Mért hangteljesítményszint (Lwa)	97 dB

Vibrations: Ah=0,5 ms<sup>2</sup>, K=1,5 ms<sup>2</sup>

A készülék a csatlakoztatási (bekötési) ponton legfeljebb 0,277 Ohm Z<sub>max</sub> impedanciájú elektromos hálózatba csatlakoztatva üzemeltethető. A felhasználó köteles meggyőződni arról, hogy a készülék kizárólag e feltételnek megfelelő elektromos hálózatba legyen csatlakoztatva. Szükség esetén az impedancia értékkel kapcsolatban a helyi áramszolgáltatótól kérhet felvilágosítást.

A szöveg és a műszaki adatok módosításának joga fenntartva.

A felhasználói útmutató nyelvi mutációja.

# 10. MEGFELELŐSÉGI NYILATKOZAT

**Termék / márka:** Nagynyomású tisztító / FIELDMANN

**Típus / Modell:** FDW 2004-E, FDW 201201-E..... 230 V/50 Hz/1 200 W

## A termék az alább felsorolt előírásoknak:

- ✿ Az Európai Parlament és a Tanács 2014/35/EU a meghatározott feszültséghatáron belüli használatra tervezett elektromos berendezésekre vonatkozó tagállami jogszabályok összehangolásáról.
- ✿ Az Európai Parlament és a Tanács 2014/30/EU az elektromágneses összeférhetőségről vonatkozó tagállami jogszabályok közelítéséről és a 89/336/EGK irányelv hatályon kívül helyezéséről.
- ✿ Az Európai Parlament és a Tanács 2006/42/EK irányelve (2006. május 17.) a gépekről és a 95/16/ek irányelv módosításáról
- ✿ Az Európai Parlament és a Tanács 2011/65/EU irányelve (2003. január 27.) egyes veszélyes anyagok elektromos és elektronikus berendezésekben való alkalmazásának korlátozásáról.
- ✿ Az Európai Parlament és a Tanács 2005/88/EK irányelve.

## és szabványoknak megfelel:

- ✿ EN 55014-1: 2006 + A1: 2009 + A2: 2011
- ✿ EN 55014-2: 1997 + A1: 2001 + A2: 2008
- ✿ EN 61000-3-2: 2006 + A1: 2009 + A2: 2009
- ✿ EN 61000-3-3: 2013
- ✿ EN 60335-1: 2012
- ✿ EN 60335-2-79: 2012
- ✿ EN 62233: 2008

**CE jel:** ..... 16

A FAST ČR, a.s. a gyártó nevében eljárni jogosult szervezet.

## Gyártó:

FAST ČR, a.s.  
Černokostelecká 2111, 100 00 Prága 10  
ASZ: CZ26726548

Kelt Praha, 2016. 11. 17.

Név: Ing. Zdeněk Pech  
Az igazgatóság elnöke

**FAST** FAST ČR, a.s.  
Černokostelecká 1621, 251 01 Říčany  
IČO: 26726548 tel.: +420/ 323 204 111  
DIČ: CZ26726548 fax: +420/ 323 204 110

*Pech*

Aláírás és bélyegzők:

# 11. MEGSEMMISÍTÉS

## UTASÍTÁSOK ÉS TÁJÉKOZTATÓ A HASZNÁLT CSOMAGOLÓANYAG KEZELÉSÉRŐL.

A használt csomagolóanyagot helyezze a község által erre a célra kijelölt hulladékgyűjtőbe.

### A HASZNÁLT ELEKTROMOS ÉS ELEKTRONIKUS BERENDEZÉSEK LIKVIDÁLÁSA



A termékeken vagy a kísérő dokumentumokban levő jel azt jelzi, hogy a használt elektromos és elektronikus termékeket tilos a megszokott települési hulladékba rakni. A megfelelő likvidálás, felújítás vagy újrahasznosítás céljával adja át ezen termékeket a kijelölt gyűjtőhelyre. Az EK némely országában vagy más európai országokban alternatív módon a terméket visszaviheti az értékesítőnek, akitől a terméket megvásárolta egy új, ekvivalens termék vásárlása esetén. Ezen termék megfelelő likvidálásával hozzásegít az értékes természeti kincsek megőrzéséhez és segíti a környezetre és emberi egészségre gyakorolt potenciális negatív hatások megelőzését, ami a helytelen hulladék likvidálás következménye lehet. A további részleteket a helyi hivatalban vagy a legközelebbi gyűjtőhelyen kaphat. Az ilyen jellegű hulladék helytelen likvidálása a nemzeti előírásoknak megfelelően bírsággal sújtható.

#### Az Európai Közösség országaiiban működő cégek részére

Ha elektromos vagy elektronikus berendezéseket kíván likvidálni, kérje ki a szükséges információkat az kereskedelmi képviselőjénél vagy az áru értékesítőjénél.

#### Likvidálás az Európai Közösségen kívüli országokban

Ez a jel az Európai Közösségen belül érvényes. Ha ezen terméket kívánja likvidálni, a megfelelő likvidálást illetően kérje a tájékoztatást a helyi hivatalokban vagy áru értékesítőjénél.



Ezen termék megfelel az EK szabványok alapvető követelményeinek, amelyek a terméket érintik.

A szöveg, formatervezés és műszaki specifikációk változása megengedett előzetes figyelemzés nélkül és fenntartjuk magunknak a jogot azok módosítására.





# Myjka wysokociśnieniowa

## INSTRUKCJA OBSŁUGI

**Dziękujemy Państwu za zakupienie tego myjka wysokociśnieniowa. Przed pierwszym uruchomieniem prosimy uważnie przeczytać niniejszą instrukcję obsługi i zachować ją do ewentualnego wykorzystania w przyszłości.**

## SPIS TREŚCI

1. OGÓLNE PRZEPISY BEZPIECZEŃSTWA .....	92
2. SYMBOLE .....	93
3. OGÓLNY OPIS .....	95
4. ZALECENIA BEZPIECZEŃSTWA .....	96
5. ZALECENIA MONTAŻOWE .....	99
6. URUCHOMIENIE .....	100
7. MAGAZYNOWANIE .....	103
8. PRZEWODNIK DO USUWANIA PROBLEMÓW .....	104
9. SPECYFIKACJA TECHNICZNA .....	109
10. DEKLARACJA ZGODNOŚCI .....	110
11. LIKWIDACJA .....	111

# 1. OGÓLNE PRZEPISY BEZPIECZEŃSTWA

## Ważne uwagi dotyczące bezpieczeństwa

- ✿ Produkt należy starannie rozpakować, należy zwrócić uwagę na wyjęcie z opakowania wszystkich części produktu.
- ✿ Produkt należy przechowywać w miejscu suchym, zabezpieczyć przed dostępem dzieci.
- ✿ Przeczytać wszelkie uwagi i instrukcje. Zaniedbania w stosunku do uwag i instrukcji mogą być powodem urazu, pożaru i/lub ciężkiego zranienia.


## Opakowanie

Produkt jest zapakowany do opakowania chroniącego go przed uszkodzeniem w czasie transportu. Opakowanie jest surowcem wtórnym i należy poddać je recyklingowi.

Minimum przez okres gwarancyjny zalecamy przechować oryginalne opakowanie razem z wewnętrznym materiałem pakowym, dokument kasowy i kartę gwarancyjną. W przypadku transportu urządzenie pakujemy z powrotem do oryginalnego pudełka producenta, co zapewni maksymalną ochronę wyrobu przy ewentualnym transporcie (na przykład przeprowadzka albo wysyłka do ośrodka serwisowego).

## Instrukcja obsługi

Przed rozpoczęciem korzystania z urządzenia należy zapoznać się z poniższymi przepisami bezpieczeństwa i instrukcją obsługi. Należy zapoznać się z elementami obsługi i właściwym korzystaniem z urządzenia. Instrukcje należy przechowywać w celu późniejszego z niej korzystania. Przez okres trwania gwarancji zaleca się przechowanie oryginalnego opakowania wraz z materiałami opakunkowymi, dokument zakupu i kartę gwarancyjną. Przechowanie opakowania ułatwi w przyszłości ewentualny transport urządzenia (przeprowadzka, odesłanie do naprawy).

-  **Uwaga:** Jeżeli nastąpi przekazanie urządzenia innym użytkownikom, należy przekazać również instrukcję obsługi. Stosowanie się do zaleceń zawartych w instrukcji zapewni właściwe użytkowanie urządzenia. Instrukcja obsługi zawiera również instrukcje konserwacji urządzenia i napraw.

**Producent nie ponosi odpowiedzialności za wypadki lub szkody powstałe w wyniku nie stosowania się do niniejszej instrukcji obsługi.**



## 2. SYMBOLE



Przed pierwszym uruchomieniem do pracy myjki wysokociśnieniowej, dla własnego Państwa bezpieczeństwa i dla bezpieczeństwa osób postronnych, prosimy przeczytać tę instrukcję obsługi. Tę instrukcję należy zachować na przyszłość i przekazać ją ewentualnemu następnemu użytkownikowi, aby zawarte w niej informacje były zawsze do dyspozycji.

Przed rozpoczęciem pracy trzeba się dobrze zapoznać ze wszystkimi elementami sterującymi, szczególnie z funkcjami i czynnościami. Ewentualnie można się skonsultować ze specjalistą. Należy uważnie przeczytać tę instrukcję użytkownika.



Ten produkt jest wykonany zgodnie z zatwierdzonymi normami.



-Uwaga! Przy uszkodzeniu albo przecięciu przewodu sieciowego należy natychmiast wyjąć wtyczkę z gniazdka sieciowego.



Urządzenie nie jest przeznaczone do zaopatrywania w wodę do picia.



Klasa ochrony.



Mylki wysokociśnieniowe mogą być niebezpieczne przy niewłaściwym użytkowaniu. Strumień wody nie może być kierowany na osoby, zwierzęta, na czynne urządzenia elektryczne albo na samo urządzenie.

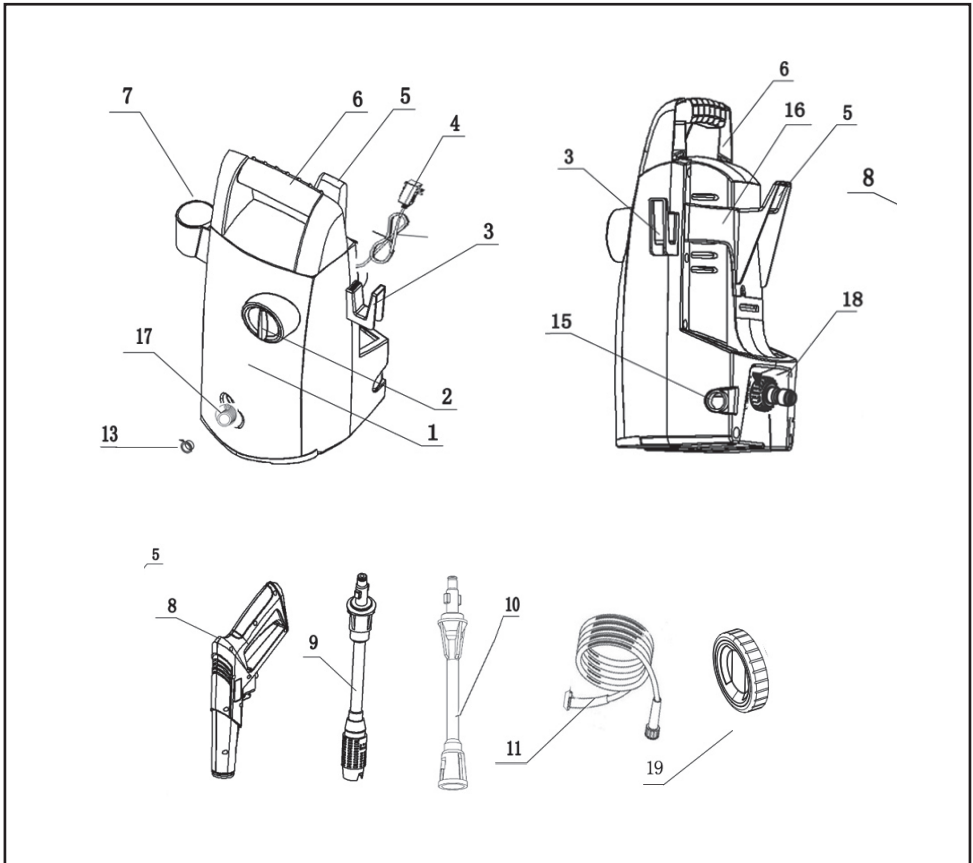


Urządzeń elektrycznych nie zalicza się do odpadów z gospodarstwa domowego.



Chroń swoje uszy

### 3. OGÓLNY OPIS



- 1 - Obudowa pompy i silnika
- 2 - Włacznik / wyłącznik
- 3 - Zamontuj wąż wysokociśnieniowy / kabla
- 4 - Kabel zasilający
- 5 - Uchwyt na wąż wysokociśnieniowy
- 6 - Uchwyt
- 7 - Holder Akcesoria
- 8 - Pistolet natryskowy
- 9 - Zmienna dysza spray rękojeści

- 10 - Zmienny dysza spray rękojeści
- 11 - Wąż wysokociśnieniowy
- 13 - Wtyczka transportowa
- 15 - Zakryć otwór na kole
- 16 - Uchwyt dyszy
- 17 - Wylotowej wysokiego ciśnienia (metal)
- 18 - Wlot wody (z tworzywa sztucznego)
- 19 - Koła

## 4. ZALECENIA BEZPIECZEŃSTWA

### ⚠ **UWAGA!** OSTRZEŻENIE!

Dysze wysokiego ciśnienia mogą być niebezpieczne, jeżeli są nieodpowiednio używane. Dysza nie może być skierowana na osoby, urządzenia elektryczne pod napięciem albo na samą maszynę.

### ⚠ **UWAGA!** OSTRZEŻENIE!

Nie korzystamy z tej maszyny w zasięgu osób, jeżeli nie mają one odzieży ochronnej.

### ⚠ **UWAGA!** OSTRZEŻENIE!

Nie kierujemy dyszy do sienie albo innych osób w celu oczyszczenia odzieży albo obuwia.

### ⚠ **UWAGA!** OSTRZEŻENIE!

Niebezpieczeństwo wybuchu – Nie korzystamy z cieczy palnych.

### ⚠ **UWAGA!** OSTRZEŻENIE!

Mijki wysokociśnieniowe nie mogą być używane przez dzieci albo osoby bez przeszkolenia.

### ⚠ **UWAGA!** OSTRZEŻENIE!

Węże wysokociśnieniowe, armatura i złącza są ważne dla bezpieczeństwa maszyny. Stosujemy tylko węże, armaturę i złącza zalecane przez producenta.

### ⚠ **UWAGA!** OSTRZEŻENIE!

Aby było zapewnione bezpieczeństwo maszyny, korzystamy tylko z oryginalnych części zamiennych od producenta albo części zatwierdzonych przez producenta.

### ⚠ **UWAGA!** OSTRZEŻENIE!

Maszyna musi być odłączona od źródła zasilania przy czyszczeniu albo konserwacji i przy wymianie części albo przestawianiu do innej funkcji, w przypadku maszyn wyłączanych z sieci przez wyjęcie wtyczki z gniazdka;

### ⚠ **UWAGA!** OSTRZEŻENIE!

Nie korzystamy z maszyny, jeżeli przewód zasilający albo ważne części maszyny, na przykład urządzenia bezpieczeństwa, węże wysokiego ciśnienia, urządzenia włączające, są niesprawne.

### ⚠ **UWAGA!** OSTRZEŻENIE!

Nieodpowiednie przedłużacze mogą być niebezpieczne. Jeżeli stosuje się przedłużacz, to gniazdko i wtyczka muszą być w wykonaniu wodoszczelnym, a połączenie musi być suche i bez kontaktu z ziemią. Zaleca się, aby to było zrealizowane za pomocą nawijaka do przewodu, który utrzymuje wtyczkę co najmniej 60 mm nad ziemią.

**⚠ UWAGA! OSTRZEŻENIE!**

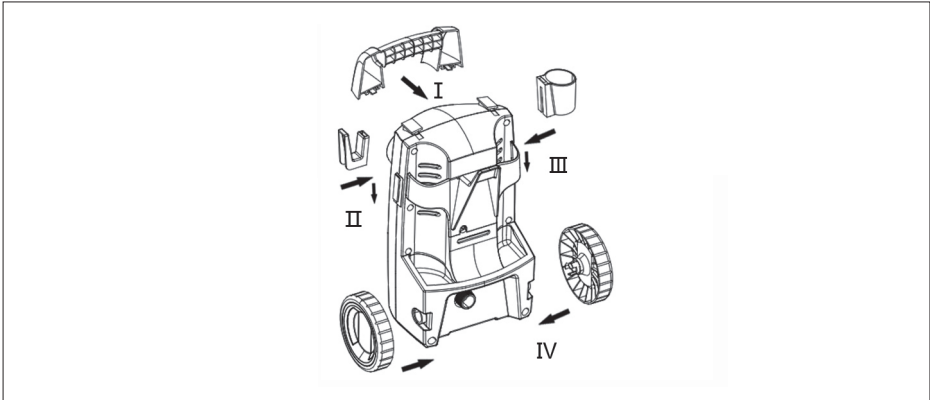
Zawsze wyłączamy wyłącznik główny, jeżeli maszyna pozostaje bez dozoru.

- ✿ Wyrób ostrożnie rozpakowujemy i uważamy, aby nie wyrzucić żadnej części materiału z opakowania, zanim nie znajdziemy wszystkich części wyrobu.
- ✿ Ten nie jest przeznaczony dla osób (łącznie z dziećmi) o zmniejszonych możliwościach fizycznych, umysłowych albo mentalnych albo osób z ograniczonym doświadczeniem i wiedzą, jeżeli nie jest nad nimi sprawowany fachowy nadzór albo nie zostały im podane instrukcje dotyczące zastosowania tego wyrobu przez osobę odpowiedzialną za ich bezpieczeństwo.
- ✿ Nigdy nie korzystamy z wyposażenia, które nie było dostarczone z tym wyrobem albo nie jest do niego przeznaczone.
- ✿ W żadnym przypadku nie naprawiamy wyrobu we własnym zakresie i nie dokonujemy w nim żadnych zmian - niebezpieczeństwo porażenia prądem elektrycznym! Wszystkie naprawy i regulacje tego wyrobu powierzamy specjalistycznej firmie /serwisowi. Ingerencja do wyrobu w okresie gwarancyjnym może spowodować utratę uprawnień gwarancyjnych.
- ✿ Nigdy nie korzystamy z wyrobu, jeżeli mamy mokre ręce albo nogi.
- ✿ Wyrób użytkujemy i przechowujemy poza zasięgiem materiałów palnych i lotnych.
- ✿ Wyrobu nie narażamy na ekstremalne temperatury, bezpośrednie światło słoneczne, nadmierną wilgotność i nie umieszczamy go w bardzo zapyłonym środowisku.
- ✿ Wyrobu nie umieszczamy w pobliżu grzejników, otwartego ognia i innych odbiorników albo urządzeń, które są źródłami ciepła.
- ✿ Wyrobu nie stosujemy do innych celów, niż ten, do którego jest przeznaczony.
- ✿ Przed podłączeniem wyrobu do gniazdka sieciowego sprawdzamy, czy napięcie podane na tabliczce znamionowej wyrobu odpowiada napięciu w Państwa gniazdku.
- ✿ Przewodu sieciowego nie układamy w pobliżu gorących powierzchni albo przez ostre przedmioty. Na przewodzie sieciowym nie układamy ciężkich przedmiotów, przewód prowadzimy tak, aby po nim nie chodzić i nie potykać się o niego. Uważamy na to, aby przewód sieciowy nie dotykał do gorącej powierzchni.
- ✿ Jeżeli przewód sieciowy wyrobu jest uszkodzony, to jego wymianę zlecamy do serwisu specjalistycznego albo osobie o niezbędnych kwalifikacjach, aby zapobiec możliwemu zagrożeniu. Wyrób z uszkodzonym przewodem sieciowym albo wtyczką przewodu sieciowego nie może być użytkowany.

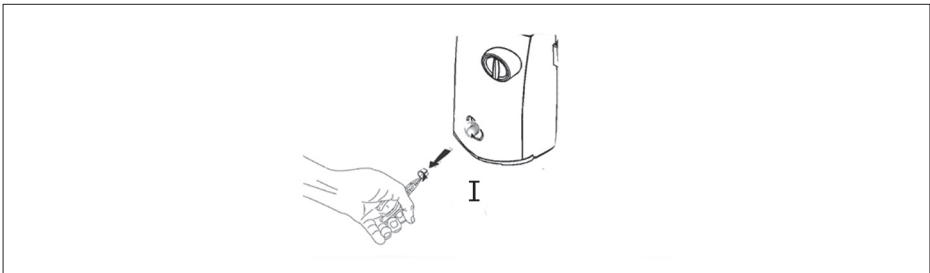
- ✿ Wtyczki nie wyciągamy z gniazdka elektrycznego przez pociągnięcie za przewód zasilający.
- ✿ Wyrób nie może być spryskiwany wodą, ani żadną inną cieczą. Do wyrobu nie wlewamy wody, ani innej cieczy. Wyrobu nie zanurzamy do wody, ani do innej cieczy.
- ✿ Wyrób nigdy nie może być użytkowany w pobliżu wanny, umywalki albo innych naczyń napełnionych wodą.
- ✿ Jeżeli wyrób jest niewykorzystywany albo nie będzie użytkowany, wyłączamy go i wyjmujemy wtyczkę z gniazdka elektrycznego. Przed czyszczeniem postępujemy w ten sam sposób.
- ✿ Pracującego wyrobu nigdy nie pozostawiamy bez dozoru.
- ✿ Przed każdym dłuższym odstawieniem czekamy, aż wyrób dobrze wystygnie.
- ✿ Jeżeli wyrób będzie używany w pobliżu dzieci, musimy zachować zwiększoną ostrożność. Wyrób zawsze umieszczamy poza ich zasięgiem. Dzieci powinny być pod dozorem, aby zapewnić, że nie będą się bawić tym wyrobem.
- ✿ Doprowadzenie energii elektrycznej musi być wykonane przez wykwalifikowanego elektrotechnika; zaleca się, aby doprowadzenie energii elektrycznej było wyposażone w wyłącznik różnicowo-prądowy o czułości 30mA/30ms albo w urządzenie kontrolujące obwód uziemienia ochronnego (prosimy poinformować się u swojego instalatora elektryka o możliwości instalacji tych urządzeń).
- ✿ Mocne pociąganie za przewód sieciowy może spowodować jego uszkodzenie.
- ✿ Aby zapobiec uszkodzeniom węży, nie nadeptujemy ich i nie przekładamy z użyciem siły. Nie korzystamy z wyrobu z załamanym albo inaczej uszkodzonym węzłem.
- ✿ Nie przejeżdżamy tym wyrobem przez przewód sieciowy.
- ✿ Ten wyrób jest wyposażony w zabezpieczenie termiczne – jeżeli dojdzie do przegrzania silnika albo pompy, zabezpieczenie termiczne wyłączy urządzenie. Jak tylko silnik albo pompa ostygnie, wyrób można będzie ponownie włączyć. Uwaga!!! Aby zapobiec niebezpieczeństwu spowodowanemu przez nagłe przełączenie zabezpieczenia termicznego, wyrób nie może być zasilany przez zewnętrzne urządzenia włączające takie, jak wyłącznik czasowy albo nie może być odłączony do obwodu, którego praca polega na okresowym włączaniu i wyłączaniu.
- ✿ Strumień cieczy o wysokim ciśnieniu może być niebezpieczny w przypadku niewłaściwego użytkowania. Zabrania się kierować ten strumień na inne osoby, siebie samego, zwierzęta, urządzenia elektryczne albo na myjkę wysokociśnieniową.
- ✿ Pistoletu, ani nasadki nigdy nie przykładamy do oczu, ani do uszu.
- ✿ Jeżeli trzeba przedłużyć zasilający przewód sieciowy, musimy zastosować przedłużacz o konstrukcji wodoszczelnej.
- ✿ Producent nie odpowiada za szkody spowodowane niewłaściwym użytkowaniem urządzenia i jego wyposażenia (rany, przypieczenia, oparzenia, pożar, zniszczenie artykułów spożywczych, itp.)

## 5. ZALECENIA MONTAŻOWE

- ✿ Znajdujemy i wyjmujemy z pudełka wszystkie pojedyncze części.
- ✿ W tylnej




- ✿ Wyjmujemy i likwidujemy korek transportowy z otworu wlotowego w przedniej części urządzenia.



### ELEMENTY ROBOCZE MYJKI CIŚNIENIOWEJ JAK KORZYSTAĆ Z REGULOWANEJ NASADKI DO MYCIA

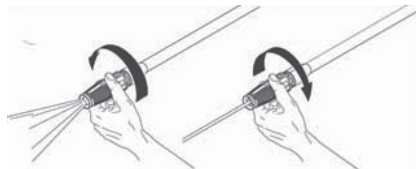
#### ⚠ UWAGA!

Silny strumień wody z Państwa myjki ciśnieniowej może uszkodzić powierzchnię na przykład drewna, szkła, lakier samochodowy, akcesoria samochodowe i listwy oraz delikatne przedmioty takie, jak na przykład kwiaty i krzewy. Przed myciem sprawdzamy, czy przedmiot, który ma być czyszczony, jest dostatecznie odporny na uszkodzenia silnym strumieniem wody. Przy ustawieniu kąta strumienia wody na 0° powoduje, że cienki strumień jest bardzo agresywny. Kąt strumienia wodnego 20° jest zalecany przy większości czyszczeń, aby nie dopuścić do uszkodzenia czyszczonej powierzchni.

 **Uwaga:** Nacisk strumienia wody na czyszczoną powierzchnię zwiększa się przy zbliżaniu nasadki do czyszczonej powierzchni.

Ustawienie z wysokim ciśnieniem jest przeznaczone do mycia i splukiwania.

Jeżeli chcemy pracować z wysokim ciśnieniem, przyciągamy do tyłu dyszę regulowanej nasadki do mycia.



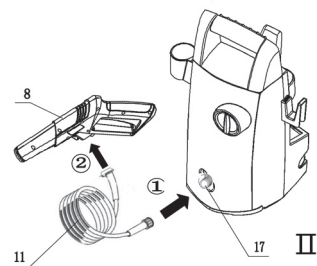
## 6. URUCHOMIENIE

**⚠ UWAGA!** Niebezpieczeństwo obrażeń spowodowanych strumieniem wodnym. Jeżeli pistolet nie jest używany, zawsze włączmy jego zabezpieczenie. W przeciwnym razie może dojść do przypadkowego uruchomienia strumienia wody.

**⚠ UWAGA!** Niebezpieczeństwo wypadku. Nie kierujemy wylotowego strumienia wody na siebie, ani na innych.

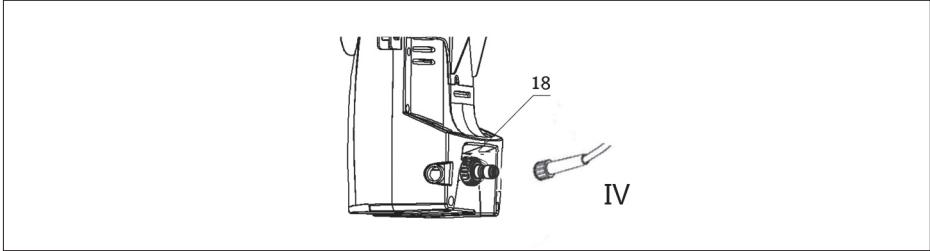
**⚠ UWAGA!** Ryzyko zagrożenia przy pracy. Stajemy na stabilnej powierzchni i trzymamy pistolet / nasadkę do mycia w obu rękach.

✿ Podłączamy wąż wysokociśnieniowy do otworu wylotowego z urządzenia. Dbamy o to, aby gwinty zostały dokręcone i aby połączenie było bezpieczne.

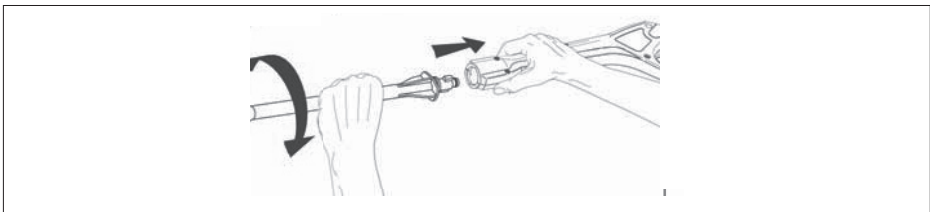


✿ Podłączamy wąż ogrodowy do przyłącza na tylnej ścianie urządzenia. Przed podłączeniem wąż ogrodowy przepłukujemy (nie wchodzi on w skład dostawy) wodą, aby wypłukać ewentualne przedmioty obce.



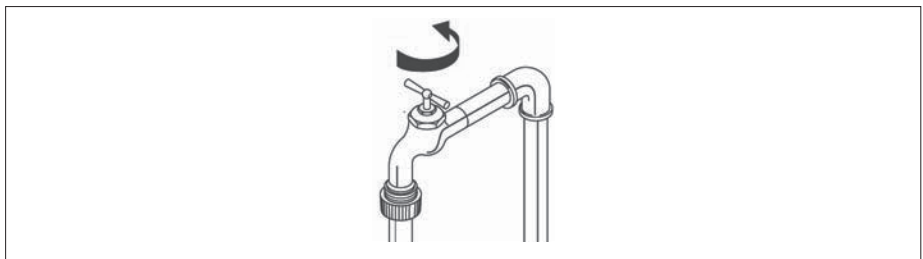


- ✿ Do pistoletu wkładamy nasadkę do mycia wciskając ją z jednoczesnym obrotem o 1/4 obrotu przeciwnie do ruchu wskazówek zegara, aż nie dojdzie do jej zablokowania.



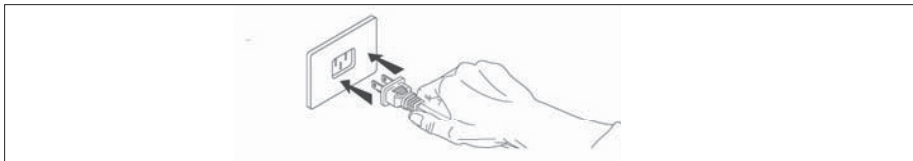
- ⚠ **UWAGA!** Jeżeli nasadka nie jest bezpiecznie zablokowana, może ze względu na wysokie ciśnienie zostać wystrzelona podczas pracy i spowodować wypadek albo szkodę materialną.

- ✿ Włączamy doprowadzenie wody i całkowicie otwieramy zawór zapewniając maksymalny dopływ wody do urządzenia.

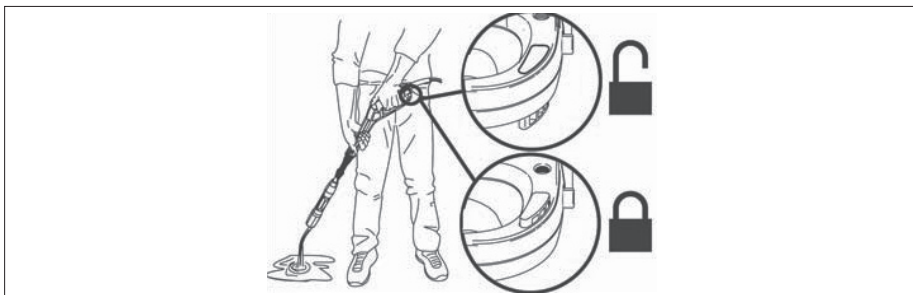


- ✿ Podłączamy urządzenie do właściwego gniazdka elektrycznego.

- 📖 **Uwaga:** Źródłem zasilania musi być wydzielony obwód 230 V, 50 Hz z obciążalnością minimum 15 amperów.



- ☼ Sprawdzamy, czy jest wyłączone zabezpieczenie pistoletu i naciskamy spust tak długo, aż urządzenie nie odpowietrzy się, a z dyszy nie zacznie wypływać równomierny strumień wody pod małym ciśnieniem.



- ☼ Przekręcamy przełącznik w położenie WŁĄCZ. Zwracamy uwagę, czy silnik na chwilę włączy się i zaraz zatrzyma.



- ☼ Naciskamy wyłącznik do uruchomienia silnika i rozpoczynamy mycie pod ciśnieniem.
- Uwaga:** Silnik pracuje tylko wtedy, kiedy jest naciśnięty spust i wypływa strumień wody.

## Wyłączenie

Informacje o sposobach poprawnego wyłączenia i składowania urządzenia są podane w części Magazynowanie tej instrukcji.

## 7. MAGAZYNOWANIE

**⚠ UWAGA!** Przed przeniesieniem urządzenia zawsze odłączamy wąż ogrodowy za pomocą złączki do węża ogrodowego.

**⚠ UWAGA!** Myjkę ciśnieniową przechowuje się w miejscu, gdzie temperatura nie spada poniżej 40° F (4° C). Pompa tego urządzenia jest w przypadku mrozu podatna na trwałe uszkodzenia. GWARANCJA NIE OBEJMUJE USZKODZEŃ SPOWODOWANYCH MROZEM.

### Zalecenia do zakończenia użytkowania i przechowywania w ziemie

☼ Po zakończeniu korzystania ze środka czyszczącego starannie wypłukujemy rurkę ssącą i dyszę środka do czyszczenia tak, że wkładamy rurkę ssącą do naczynia z czystą wodą i pozwalamy pracować tej dyszy do środka czyszczącego przy maksymalnym przepływie w czasie 30 sekund. To spowoduje wypłukanie wszystkich pozostałości środka czyszczącego z rurki ssącej i z dyszy.

**📖 Uwaga:** Jeżeli nie wykonamy starannego oczyszczenia, może dojść do zapchania dyszy środka do czyszczenia i jej unieruchomienia.

☼ **WYŁĄCZAMY** urządzenie i naciskamy spust w celu usunięcia ciśnienia pozostającego wewnątrz urządzenia.

☼ Zdejmujemy ze urządzenia wąż ogrodowy i wąż wysokociśnieniowy.

☼ Zdejmujemy nasadkę z pistoletu.

☼ **WŁĄCZAMY** urządzenie i pozwalamy mu pracować przez 5 sekund. (To usunie większość wody, która pozostała w pompie).

☼ Odłączamy urządzenie od doprowadzenia prądu elektrycznego.


☼ Zwijamy wąż wysokociśnieniowy i przewód zasilający na nawijaku do węża/przewodu zgodnie z rysunkiem.



☼ Układamy urządzenie i wyposażenie w suchym i ogrzewanym miejscu. Nie składujemy urządzenia albo wyposażenia w miejscu, w którym temperatura może zmaleć poniżej 40° F (4° C).


## 8. PRZEWODNIK DO USUWANIA PROBLEMÓW

<b>PROBLEM EKSPLOATACYJNY</b>	<b>MOŻLIWA PRZYCZYNA</b>	<b>ROZWIĄZANIE</b>
Nie jest dozowany środek czyszczący	Środek czyszczący nie jest zatwierdzony dla danej myjki ciśnieniowej	Korzystamy tylko ze środków czyszczących, odtłuszczających, wosków i innych roztworów czyszczących, które są specjalnie przeznaczone do myjki ciśnieniowej. Środki czyszczące w tej kategorii mają na tabliczce wyraźnie podane, że nie są przeznaczone do myjek ciśnieniowych. <b>NIE STOSUJEMY</b> do swojej myjki ciśnieniowej żadnego innego typu roztworu czyszczącego. Nigdy do swojego urządzenia nie stosujemy środków wybielających, z amoniakiem albo z jakimkolwiek kwasem!
	Doszło do odłączenia, zapchania albo skręcenia rurki ssącej	Dbamy, aby rurka ssąca nie była uszkodzona a aby była dobrze podłączona do dyszy środka czyszczącego. Zależnie od potrzeb rurkę odłączamy, czyścimy i znowu podłączamy.
	Dysza środka czyszczącego jest zapchana zanieczyszczeniami	Czyścimy dyszę zgodnie z zaleceniami w rozdziale Dysza w części Konserwacja tej instrukcji.

Proporcja środka czyszczącego i wody		Myjka ciśnieniowa pobiera środek czyszczący maksymalnie w proporcji 10:1 do wody i środka czyszczącego. Większość środków czyszczących do myjki ciśnieniowej ma stężenie w tych granicach tak, że nie trzeba wykonywać skomplikowanej regulacji zaworu pomiarowego dyszy środka czyszczącego. Jeżeli jest wrażenie, że zużywa się za dużo środka czyszczącego w stosunku do potrzeb, można środek czyszczący rozcieńczyć zwykłą wodą z wodociągu.
Doszło do wyłączenia zabezpieczenia albo przepalenia bezpiecznika w skrzynce bezpiecznikowej	Przeciążony obwód elektryczny	Sprawdzamy, czy obwód elektryczny jest przystosowany do 15 amperów albo więcej. Dbamy, aby do tego obwodu nie zostały podłączone żadne inne odbiorniki (osobny obwód).
	Zbyt długi przedłużacz albo za mały przekrój przewodu	Nie polecamy korzystania z przedłużacza do Państwa myjki ciśnieniowej. Jeżeli przedłużacz musi być użyty, sprawdzamy, czy spełnia minimalne wymagania podane w rozdziale Przedłużacz w części Informacje o źródle zasilania i części elektrycznej w tej instrukcji.
Wycieka woda z pistoletu do mycia, nasadki albo węża wysokociśnieniowego	Źle podłączone wyposażenie	Sprawdzamy, czy wszystkie elementy (pistolet, nasadka, wąż wysokociśnieniowy) są poprawnie podłączone zgodnie z zaleceniami podanymi w tej instrukcji.

<p>Małe/niestabilne ciśnienie albo nie dochodzi do zatrzymania silnika przy zwolnieniu spustu pistoletu do myjki</p> <p> <b>Uwaga:</b> Myjka ciśnieniowa NIE DOSTAJE pełnej ilości wody na doprowadzeniu. Urządzenie wymaga źródła wody pod ciśnieniem przynajmniej 20 psi przy przepływie 20 galonów na minutę.</p>	Zawór wodociągowy nie jest w pełni otwarty	Sprawdzamy, czy jest maksymalnie otwarty zawór na przyłączy wody.
	Wąż ogrodowy jest za długi albo jest skręcony / zagięty	Korzystamy z węża ogrodowego o maksymalnej długości 50 stóp (15,2 m) (woda z miejskiego wodociągu) albo 25 stóp (7,5 m) (woda ze studni). Dbamy, aby wąż ogrodowy był ułożony na płask, nie miał żadnych pętli, i żeby nie uciekała z niego woda. Wąż ogrodowy ewentualnie odwijamy ze szpuli albo z haka. W razie potrzeby wąż wymieniamy.
	Wejściowy filtr odny jest zapchany	Wymieniamy siłko filt a (O) na doprowadzeniu wody (M) i starannie je oczyścimy. Wymieniamy siłko filt a.
	Za długi przedłużacz albo za mały przekrój przewodu	Nie polecamy korzystania z przedłużacza do Państwa myjki ciśnieniowej. Jeżeli przedłużacz musi być użyty, sprawdzamy, czy spełnia minimalne wymagania podane w rozdziale Przedłużacz w części Informacje o źródle zasilania i części elektrycznej w tej instrukcji.
Z dyszy nie wylatuje woda	Dysza jest zapchana	Czyścimy dyszę zgodnie z zaleceniami podanymi w rozdziale Dysza w części Konserwacja tej instrukcji.
	Wejściowy filtr odny jest zapchany	Wymieniamy siłko filt a (O) na doprowadzeniu wody (M) i starannie je oczyścimy. Wymieniamy siłko filt a.
	Pętla na wężu ogrodowym albo wąż jest poplątany na szpuli nawijaka	Korzystamy z węża ogrodowego o maksymalnej długości 50 stóp (15,2 m) (woda z miejskiego wodociągu) albo 25 stóp (7,5 m) (woda ze studni). Dbamy, aby wąż ogrodowy był ułożony na płask, nie miał żadnych pętli, i żeby nie uciekała z niego woda. Wąż ogrodowy ewentualnie odwijamy ze szpuli albo z haka. W razie potrzeby wąż wymieniamy.

<p>NIE MOŻNA nacisnąć spustu pistoletu do myjki</p>	<p>Jest włączone zabezpieczenie pistoletu</p>	<p>Zwalniamy zabezpieczenie zgodnie z zaleceniami zawartymi w rozdziale Uruchomienie w części Obsługa tej instrukcji.</p>
<p>Urządzenia nie można włączyć   <b>Uwaga:</b>          Urządzenie włącza się i pracuje tylko wtedy, jeżeli jest naciśnięty spust i wypływa woda!</p>	<p>Urządzenie nie jest WŁĄCZONE</p>	<p>Sprawdzamy, czy wyłącznik WŁĄCZ/WYŁĄCZ jest na pewno w położeniu WŁĄCZ.</p>
<p>Podczas normalnej pracy dochodzi do zatrzymania silnika   <b>Uwaga:</b>          Następuje wyłączenie termicznego zabezpieczenia silnika, ponieważ silnik został przegrzany</p> <p>Wyłączamy silnik na 20 minut, aby ostygł, a w tym czasie automatycznie zresetuje się jego zabezpieczenie</p>	<p>Za długi przedłużacz albo za mały przekrój przewodu</p>	<p>Nie polecamy korzystania z przedłużacza do Państwa myjki ciśnieniowej. Jeżeli przedłużacz musi być użyty, sprawdzamy, czy spełnia minimalne wymagania podane w rozdziale Przedłużacz w części Informacje o źródle zasilania i części elektrycznej w tej instrukcji.</p>
<p>Wyłączamy silnik na 20 minut, aby ostygł, a w tym czasie automatycznie zresetuje się jego zabezpieczenie</p>	<p>Wadliwy pistolet do mycia</p>	<p>Czyścimy dyszę zgodnie z zaleceniami podanymi w rozdziale Dysza w części Konserwacja tej instrukcji.</p>

<p>Podłączanie i odłączanie nasadki do mycia</p> <p> <b>Uwaga:</b> Ze względu na wysokie ciśnienie generowane przez Państwa myjkę ciśnieniową nasadka musi szczelnie przylegać do pistoletu. Podczas zwykłej pracy może być trudno założyć nasadkę albo ją zdjąć, a ta czynność może wymagać zastosowania znacznej siły.</p>		<p><b>Jeżeli chcemy założyć nasadkę</b> – wciskamy nasadkę równomiernie w dół (w kierunku spustu) i obracamy ją przy tym o 90° w kierunku przeciwnym do ruchu wskazówek zegara. Może pomóc, jeżeli pistolet ułożymy na płaskiej powierzchni tak, aby nasadka była zwrócona do góry. Dwa języczki na końcu nasadki muszą być całkowicie wsunięte do pistoletu, zanim dojdzie do obrócenia nasadki i jej zablokowania. Jeżeli to nie pomaga, wyjmujemy z końca nasadki bagnetowy pierścień typu „O” i zakładamy nasadkę na pistolet bez tego pierścienia. Jeżeli nasadkę można założyć na pistolet bez pierścienia typu „O”, to ten pierścień trzeba wymienić.</p>
		<p><b>Jeżeli chcemy zdjąć nasadkę</b> - wypuszczamy z pistoletu / węży całe pozostałe ciśnienie tak, że urządzenie WYŁĄCZAMY i naciskamy spust pistoletu. Wciskamy nasadkę równomiernie w dół (w kierunku spustu) i obracamy ją przy tym o 90° w kierunku ruchu wskazówek zegara. Może pomóc, jeżeli pistolet ułożymy na płaskiej powierzchni tak, aby nasadka była zwrócona do góry.</p>



## 9. DANE TECHNICZNE

Napięcie znamionowe	230 V
Częstotliwość znamionowa	50 Hz
Moc znamionowa	1200 W
Ciśnienie znamionowe	6 MPa
Maksymalne ciśnienie	9 Mpa
Przepływ znamionowy	5,5 l/min.
Maksymalny przepływ	7,5 l/min.
Maks. temperatura wody zasilającej	40°C
Długość węża	3 m
Zasięg roboczy	8 m
Stopień ochrony	II.
Długość przewodu sieciowego	5M
Wymiary (szerokość x głębokość x wysokość)	265 x 260 x 430 mm
Ciężar bez wyposażenia	5,7 kg
Ciężar z wyposażeniem	6,5 kg
Maksymalne wejściowe ciśnienie wody w paskalach	0,69 MPa
Minimalne wejściowe ciśnienie wody w paskalach, jeżeli jest konieczne do poprawnego działania urządzenia	0,14 MPa
Poziom ciśnienia akustycznego (Lpa)	85 dB
Poziom mierzonej mocy akustycznej (Lwa)	97 dB

Wibracje: Ah=0,5 ms<sup>2</sup>, K=1,5 ms<sup>2</sup>

To urządzenie jest przystosowane do pracy w sieci prądu elektrycznego o impedancji pętli zwarcia Z maks. w miejscu podłączenia (przyłącze domowe) co najwyżej 0,277 Ω. Użytkownik musi zapewnić, aby urządzenie było użytkowane i podłączane tylko do sieci elektrycznej, która spełnia ten warunek. Jeżeli to konieczne, o impedancję pętli zwarcia można zapytać w lokalnym zakładzie energetycznym.

Zmiana tekstu i parametrów technicznych zastrzeżona.

Podręcznik użytkownika w odpowiedniej mutacji językowej.

# 10. DEKLARACJA ZGODNOŚCI

**Wyrób / marka:** Myjka wysokociśnieniowa / FIELDMANN

**Typ / Model:** FDW 2004-E, FDW 201201-E ..... 230 V / 50 Hz / 1 200 W

## Wyrób jest zgodny z niżej wymienionymi przepisami:

- ✿ Dyrektywą Parlamentu Europejskiego i Rady 2014/35/EU o zharmonizowaniu przepisów prawnych krajów członkowskich dotyczących urządzeń elektrycznych przeznaczonych do pracy w określonych przedziałach napięć. Dyrektywą Parlamentu Europejskiego i Rady 2014/130/EU
- ✿ o zbliżaniu przepisów prawnych krajów członkowskich dotyczących kompatybilności elektromagnetycznej i o unieważnieniu dyrektywy 89/336/EHS.
- ✿ Dyrektywą Parlamentu Europejskiego i Rady 2006/42/ES z dnia 17 maja 2006 o urządzeniach maszynowych i o zmianie dyrektywy 95/16/ES.
- ✿ Dyrektywą Parlamentu Europejskiego i Rady 2011/65/EU z dnia 27 stycznia 2003 o ograniczeniu stosowania niektórych substancji niebezpiecznych w urządzeniach elektrycznych i elektronicznych.
- ✿ Dyrektywą Parlamentu Europejskiego i Rady 2005/88/ES

## ✿ i normami:

- ✿ EN 55014-1: 2006 + A1: 2009 + A2: 2011
- ✿ EN 55014-2: 1997 + A1: 2001 + A2: 2008
- ✿ EN 61000-3-2: 2006 + A1: 2009 + A2: 2009
- ✿ EN 61000-3-3: 2013
- ✿ EN 60335-1: 2012
- ✿ EN 60335-2-79: 2012
- ✿ EN 62233: 2008

**Oznaczenie CE:** ..... 16

Spółka FAST ČR, a.s. jest upoważniona do reprezentowania i negocjowania w imieniu producenta.

## Producent:

FAST ČR, a.s.  
 Černokostelecká 2111, 100 00 Praha 10  
 NIP: CZ26726548

W Pradze, 17. 16 .2016

Nazwisko: Zdeněk Pech

Prezes Zarządu

**FAST** FAST ČR, a.s.  
 Černokostelecká 1621, 251 01 Říčany  
 IČO: 26726548 tel.: +420/ 323 204 111  
 DIČ: CZ26726548 fax: +420/ 323 204 110

Podpis i pečatka:



# 11. LIKWIDACJA

## **ZALECENIA I INFORMACJE O POSTĘPOWANIU Z ZUŻYTYM OPAKOWANIEM.**

Zużyty materiał z opakowania przekazuje się na gminne wysypisko odpadów.

## **LIKWIDACJA ZUŻYTYCH URZĄDZEŃ ELEKTRYCZNYCH I ELEKTRONICZNYCH**



Ten symbol na produktach albo w dokumentach przewodnich oznacza, że zużyte wyroby elektryczne i elektroniczne nie mogą być dodawane do zwykłych odpadów komunalnych. W celu właściwej likwidacji, odzysku i recyklingu trzeba je przekazywać w ustalone zbiorcze miejsca. Alternatywnie w niektórych krajach Unii Europejskiej albo w innych krajach europejskich można zwrócić takie wyroby lokalnemu sprzedawcy przy zakupie nowego, ekwiwalentnego produktu. Właściwa likwidacja tego produktu pomoże zachować cenne źródła naturalne i pomaga w zapobieganiu negatywnym wpływom na środowisko naturalne i zdrowie ludzi, które mogłaby spowodować niewłaściwa likwidacja odpadów. Szczegółowych informacji udziela Urząd gminy albo najbliższe wysypisko odpadów. Przy niewłaściwej likwidacji tego rodzaju odpadu, zgodnie z przepisami krajowymi, może dojść do nałożenia mandatu karnego.

### **Dotyczy podmiotów gospodarczych w Unii Europejskiej**

Jeżeli trzeba zlikwidować urządzenia elektryczne i elektroniczne, to niezbędne informacje należy uzyskać od swojego sprzedawcy albo dostawcy.

### **Likwidacja w innych krajach poza Unią Europejską**

Ten symbol obowiązuje w Unii Europejskiej. Jeżeli chcemy ten wyrób zlikwidować, to niezbędne informacje o właściwym sposobie likwidacji otrzymujemy od urzędów lokalnych albo od swojego sprzedawcy.



Ten wyrób spełnia wszystkie podstawowe wymagania dyrektyw UE, które go dotyczą.

Zmiany w tekście, designie i specyfikacji technicznej mogą nastąpić bez wcześniejszego uprzedzenia i zastrzegamy sobie prawo do ich wprowadzania.



# Visokotlačni čistilec

## NAVODILA ZA UPORABO

**Zahvaljujemo se vam za nakup tega visokotlačno pranje. Pred uporabo natančno preberite to navodilo za obratovanje in jih shranite za nadaljnjo uporabo.**

### KAZALO

1. SPLOŠNI VARNOSTNI NAPOTKI .....	114
2. SIMBOLI .....	115
3. SPLOŠNI OPIS .....	117
4. VARNOSTNA NAVODILA .....	118
5. MONTAŽNA NAVODILA .....	121
6. VKLOP .....	122
7. SKLADIŠČENJE .....	125
8. VODNIK SKOZI ODSTRANJEVANJE TEŽAV .....	126
9. TEHNIČNA SPECIFIKACIJA .....	130
10. IZJAVA O SKLADNOSTI .....	131
11. ODSTRANJEVANJE .....	132

# 1. SPLOŠNI VARNOSTNI NAPOTKI

## Pomembni varnostni napotki

- ✿ Pazljivo odprite embalažo z izdelkom in pazite, da ne odvržete katerega od priloženih delov. Preverite, če so priloženi vsi deli, ki morajo biti.
- ✿ Hranite izdelek na suhem mestu izven dosega otroških rok.
- ✿ Preberite vsa navodila in opozorila. Neupoštevanje navodil in opozoril lahko vodi do nesreče, požara ali resne poškodbe.

## Embalaža


Izdelek se nahaja v embalaži, da je varen med transportom. Embalaža je surov material, ki ga lahko odstranite tako, da ga je možno reciklirati.

Originalno embalažo skupaj z notranjim pakirnim materialom, račun in garancijski list svetujemo shraniti najmanj za čas garancije. V primeru prevoza napravo zapakirajte nazaj v originalno škatlo proizvajalca, s tem zagotovite največjo zaščito izdelka pri morebitnem prevozu (npr. selitev ali odprema v servisni center).

## Navodila za uporabo

Pred začetkom dela preberite varnostne napotke in navodila za uporabo. Seznanite se z delovnimi

elementi in pravilnim načinom uporabe naprave. Hranite navodila na varnem mestu za nadaljnjo uporabo. Priporočamo, da shranite originalno embalažo vključno z notranjimi materiali, račun in garancijsko izjavo vsaj za čas trajanja garancije. Če boste napravo prevažali, jo peljali npr. na servis, storite to v originalni embalaži, da zagotovite najvišjo možno stopnjo varnosti med transportom.

 **Opomba:** Če boste napravo predali ali izročili drugi osebi, storite to skupaj z navodili za uporabo. Seznanitev s priloženimi navodili je predpogoj za varno in pravilno delo z napravo. Navodila za uporabo vključujejo napotke za delo, vzdrževanje in popravila.

**Proizvajalec ne prevzema odgovornosti za nesreče ali škodo, nastalo zaradi neupoštevanja navodil.**

## 2. SIMBOLI



Pred prvim aktiviranjem zaradi Vaše lastne varnosti in zaradi varnosti drugih pazljivo preberite ta navodila za uporabo, preden visokotlačni čistilec uporabite. Navodila dobro shranite in izročite jih vsakemu nadaljnjemu uporabniku, da so informacije kadarkoli na razpolago.

Pred začetkom dela se dobro seznanite z vsemi upravljalnimi elementi, predvsem s funkcijami in režimi oziroma se posvetujte s strokovnjakom. Pazljivo preberite ta uporabniški priročnik.



-Pozor! Pri poškodbi ali presekanju omrežnega kabla takoj odstranite vtič iz omrežne vtičnice.



Naprava ni predvidena za priključitev na napravo za oskrbovanje s pitno vodo.



Zaščitni razred



Ta izdelek je izdelan v skladu z veljavnimi standardi.



Visokotlačni čistilci so lahko pri nepravilni uporabi nevarni. Tok vode ne sme biti usmerjen proti osebam, živalim, proti aktivni električni opremi ali napravi sami.



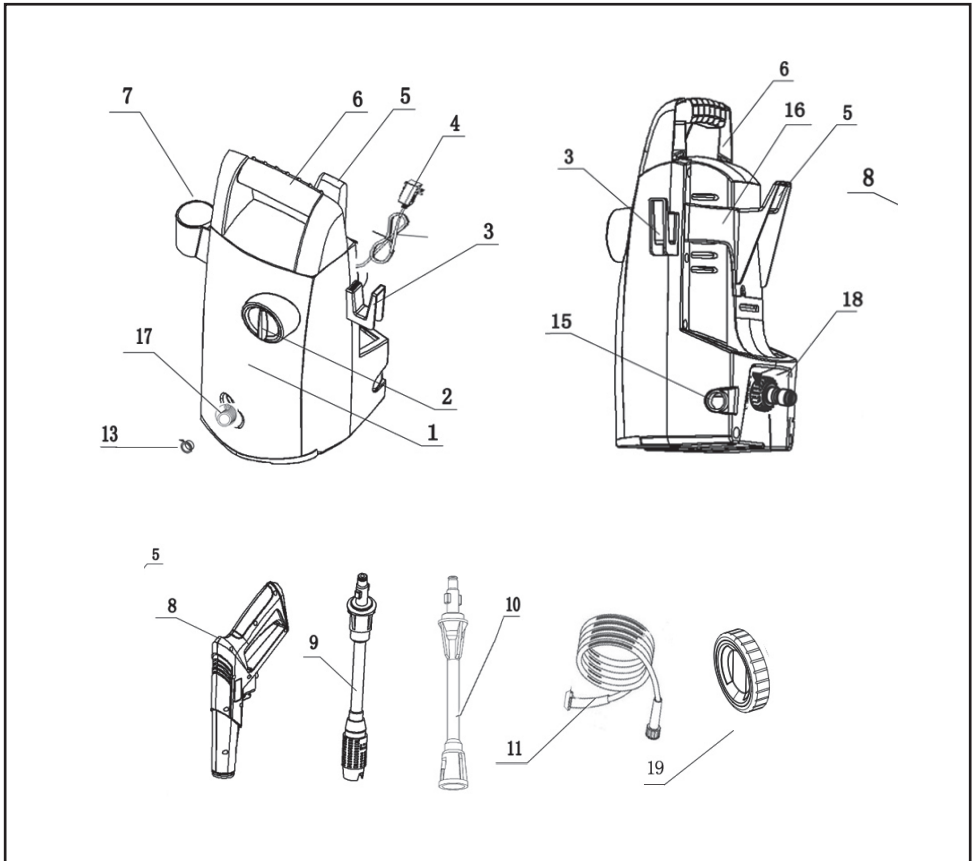
Električne naprave ne sodijo med komunalne odpadke.



Nositi zaščito sluha.



### 3. SPLOŠNI OPIS



- 1 - Motor in črpalko, ohišje
- 2 - On / Off stikalo
- 3 - Namestite visokotlačno cev / kabel
- 4 - Napajalni kabel
- 5 - Visokotlačno držalo cevi
- 6 - Handle
- 7 - Držalo Dodatki
- 8 - Spray Gun
- 9 - Spremenljivo šoba z ročnik

- 10 - Spremenljivo šoba z ročnik
- 11 - Visokotlačna cev
- 13 - Transport vtič
- 15 - Pokrije luknjo za kolesa
- 16 - Imetnik Šoba
- 17 - Izstopni Visoki tlak (kovina)
- 18 - Dovod za vodo (plastika)
- 19 - Kolesa

## 4. VARNOSTNA NAVODILA

### ⚠ **POZOR!** SVARILO

Visokotlačne šobe so lahko nevarne, če se le-teh ne uporablja pravilno.  
Šoba ne sme meriti na osebe, električne naprave pod tokom ali na lastni stroj.

### ⚠ **POZOR!** SVARILO

Naprave ne uporabljati v dosegu oseb, če nimajo zaščitne obleke.

### ⚠ **POZOR!** SVARILO

Šobe ne meriti proti sebi ali drugim osebam z namenom čiščenja oblačil ali obuhte.

### ⚠ **POZOR!** SVARILO

Nevarnost eksplozije – Ne uporabljati vnetljivih tekočin.

### ⚠ **POZOR!** SVARILO

Visokotlačne čistilce ne smejo uporabljati otroci ali neusposobljene osebe.

### ⚠ **POZOR!** SVARILO

Visokotlačne cevi, armature in spojke so pomembne za varnost stroja. Uporabljati le cevi, armature in spojke priporočene s strani proizvajalca.

### ⚠ **POZOR!** SVARILO

Zaradi zagotovitve varnosti stroja, uporabljati le originalne rezervne dele od proizvajalca, ali dele odobrene s strani proizvajalca.

### ⚠ **POZOR!** SVARILO

, da se stroj mora izključiti iz vira napajanja med čiščenjem ali vzdrževanjem in pri zamenjavi delov ali preklopu na drugo funkcijo, v primeru strojev, ki se napajajo iz omrežja, izklopiti s potegom vtiča iz vtičnice;

### ⚠ **POZOR!** SVARILO

Stroja ne uporabljati, če so napajalni kabel ali pomembni delo stroja, npr. varnostna naprava, visokotlačne cevi, vklopna naprava, poškodovani.

### ⚠ **POZOR!** SVARILO

Neustrezni podaljški so lahko nevarni. Če se uporablja podaljšek, morata biti vtič in vtičnica v voodporni izvedbi in povezava se mora hraniti suha in brez stika z zemljo. Priporočeno je, da bo ta povezava izpeljana s pomočjo vitla dovoda, ki drži vtičnico najmanj 60 mm nad zemljo.

**⚠ POZOR! SVARILO**

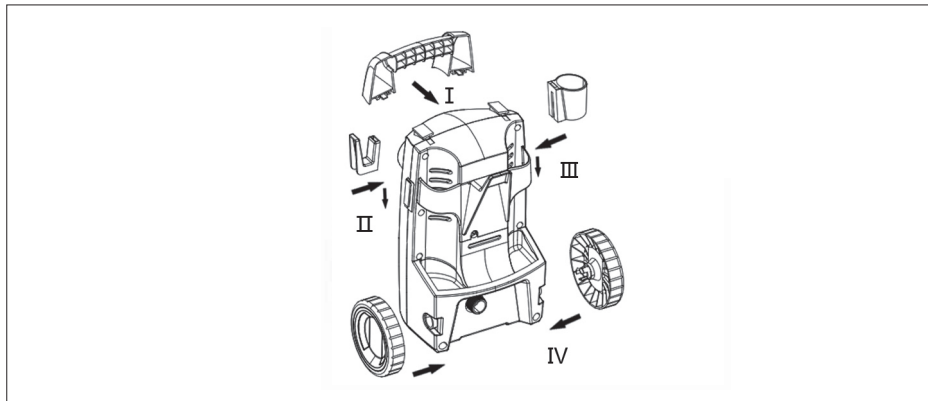
Vedno izklopiti glavno stikalo, če pustite stroj brez nadzora.

- \* Izdelek skrbno razpakirajte in pazite, da ne bi vrgli stran nobenega dela pakirne embalaže, preden najdete vse dele izdelka.
- \* Izdelka ne smejo uporabljati osebe (vključno otrok), ki jih fizična, čutna ali men alna nesposobnost ali pomanjkanje izkušenj, in znanj ovirajo pri varni uporabi naprave, če pri tem ne bodo nadzorovane, ali če jih o uporabi naprave ni poučila oseba, ki je odgovorna za njihovo varnost.
- \* Nikoli ne uporabljajte pribora, ki ni dobavljen s tem izdelkom ali zanj ni predviden.
- \* V nobenem primeru izdelka ne popravljajte sami in na njem ne izvajajte nobenih sprememb – nevarnost poškodbe z električnim tokom! Vsa popravila in nastavitve tega izdelka zaupajte strokovnemu podjetju /servisu. S posegom v izdelek v času veljavnosti garancije se izpostavljate tveganju izgube garancijskih obveznosti.
- \* Izdelka nikoli ne uporabljajte, če imate mokre roke ali noge.
- \* Izdelek uporabljajte in hranite izven dosega vnetljivih in hlapljivih snovi.
- \* Izdelka ne izpostavljajte skrajnim temperaturam, neposrednim sončnim žarkom, prekomerni vlagi in ne nameščajte ga v prekomerno prašno okolje.
- \* Izdelka ne nameščajte v bližino grelnih teles, odprtega ognja ali drugih porabnikov ali naprav, ki so vir toplote.
- \* Izdelka ne uporabljajte za druge namene, kot za predvidene.
- \* Pred priključitvijo izdelka v omrežno vtičnico preverite, ali napetost, navedena na tablici izdelka, ustreza napetosti v vaši vtičnici.
- \* Omrežnega kabla ne polagajte v bližino vročih površin ali na ostre predmete. Na omrežni kabel ne polagajte težkih predmetov, kabel namestite tako, da se po njem ne hodi in da se obenj ne spotika. Pazite, da se omrežni kabel ne dotika vroče površine.
- \* Če je omrežni kabel izdelka poškodovan, zaupajte zamenjavo le-tega strokovnemu servisu ali podobno usposobljeni osebi, da se prepreči nastanek nevarne situacije. Izdelek s poškodovanim omrežnim kablom ali vtičem omrežnega kabla je prepovedano uporabljati.
- \* Vtiča dovoda ne potegujte iz vtičnice s potegom za napajalni dovod.
- \* Izdelka ne škropite z vodo ali drugo tekočino. V izdelek ne lijte vode ali drugih tekočin. Izdelka ne potaplajte v vodo ali druge tekočine.

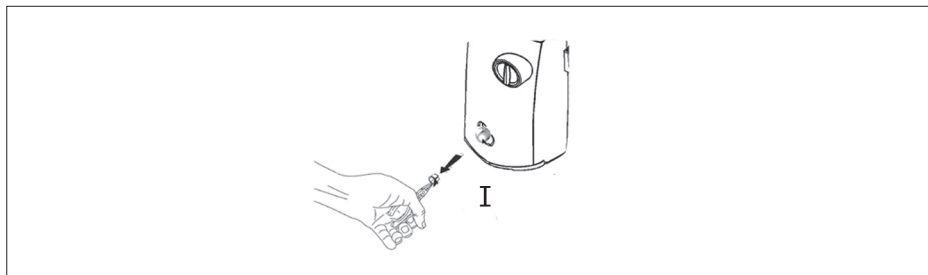
- ✿ Izdelka nikoli ne uporabljajte v bližini kadi, umivalnika ali drugih posod, napoljenih z vodo.
- ✿ Če izdelka trenutno ne uporabljate ali ga ne boste uporabljali, izklopite ga in vtiči odstranite iz el. vtičnice. Pred čiščenjem postopajte na enak način.
- ✿ Izdelka nikoli ne puščajte v teku brez nadzora.
- ✿ Pred vsako shranitvijo pustite izdelek, da se temeljito ohladi.
- ✿ Če se bo izdelek uporabljal v bližini otrok, bodite posebej previdni. Izdelek hranite vedno izven dosega le-teh. Otroci bi mogli biti pod nadzorom, da bo zagotovljeno, da se ne bodo z izdelkom igrali.
- ✿ Dovod električne energije mora biti izveden s strani usposobljenega elektrotehnik, priporoča se, da je dovod el. energije opremljen ali s tokovnim zaščitnim stikalom s sprožilno sposobnostjo 30mA/30ms, ali z napravo, ki nadzoruje ozemljitveni krog (o možnostih instalacije se posvetujte s svojim elektroinštalaterjem).
- ✿ Nasilno potegovanje za omrežni kabel lahko povzroči poškodovanje le-tega.
- ✿ Da bi preprečili poškodovanje cevi, ne stopajte nanjo niti je po sili ne pregibajte. Izdelka z zlomljeno ali drugače poškodovano cevjo ne uporabljajte.
- ✿ Omrežnega kabla ne povežite z izdelkom.
- ✿ Izdelek je opremljen s toplotno varovalko – če pride do pregretja motorja ali črpalke, toplotna varovalka napravo izklopi. Ko se motor ali črpalka ohladi, je možno izdelek spet vklopiti. Opozorilo!!! Da se prepreči nevarnost zaradi nagle ponovne nastavitve toplotne varovalke, ne sme biti naprava napajana prek takšne zunanje vklopne naprave, kot je časovno stikalo, ali ne sme biti priključena na krog, katerega lastnost je redno vklapljanje in izklapljanje.
- ✿ Visokotlačni tok je v primeru nepravilne uporabe lahko nevaren. Prepovedano je obračati tok proti drugim osebam, samemu sebi, proti živalim, električnim napravam ali visokotlačnemu čistilcu.
- ✿ Pištrole, niti nastavka nikoli ne prilagajte na očesa niti ušesa.
- ✿ Če je treba za omrežni dovod uporabiti podaljševalni kabel, mora biti kabel vodoodporne konstrukcije.
- ✿ Proizvajalec ne odgovarja za škode, povzročene zaradi nepravilne uporabe naprave in njenega pribora (poškodbe, opekline, oparine, požar, uničenje živil itn.)

## 5. MONTAŽNA NAVODILA

- ✿ Poiščite in vzemite iz škatle ven vse posamezne dele.
- ✿ Zatakните:



- ✿ Snemite in uničite prevozni zamašek iz izhodne odprtine na sprednjem delu naprave.



### OBRATOVALNI ELEMENTI TLAČNEGA ČISTILCA KAKO UPORABLJATI VARIABILNI BRIZGALNI NASTAVEK

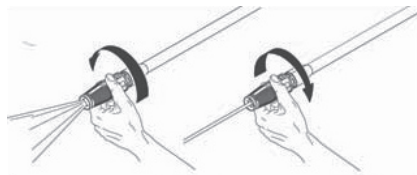
#### ⚠ POZOR! OPOZORILO

Močan vodni curek iz Vašega tlačnega čistilca lahko poškoduje površine, kot so npr. les, steklo, avtomobilski lak, avtomobilski dodatki in leve ter občutljive predmete, kot so npr. rože in grmovja. Pred brizganjem preverite, ali je predmet, ki se čisti, zadosti odporen proti poškodbam zaradi moči vodnega curka. Nastavitev vodnega curka na 0° nitkasti tok je zelo agresiven. Kot vodnega curka 20° se priporoča za večino čistilnih opravil, da ne pride do poškodbe čiščene površine.

- 📖 **Opomba:** Pritisk vodnega curka na površino, ki jo čistite, se povečuje s tem, kako približujete nastavek čiščeni površini.

Nastavitev z visokim pritiskom je priporočena za pranje in splakovanje.

Če želite delati z visokim pritiskom, privijte nazaj šobo variabilnega brizgalnega nastavka.



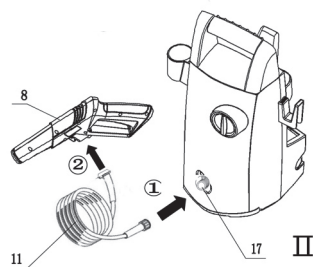
## 6. VKLOP

**⚠ POZOR! NEVARNOST:** Nevarnost poškodbe z vodnim curkom. Če se pištola ne uporablja, vedno aktivirajte varovalko. V nasprotnem primeru lahko pride do naključnega vklopa vodnega curka.

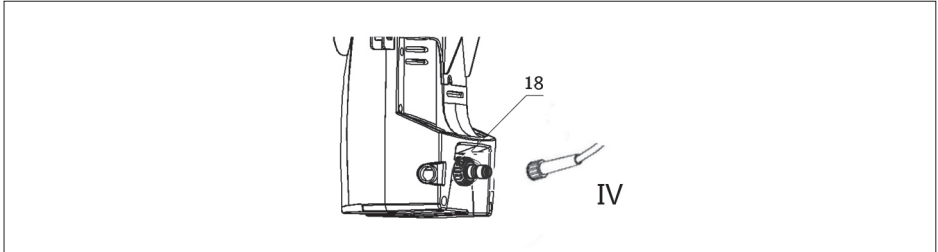
**⚠ POZOR!** Nevarnost poškodbe. Izhajajočega toka vode ne merite proti sebi ali drugim osebam.

**⚠ POZOR!** Tveganje nevarnega delovanja. Stojite na stabilni površini in pištolo / vbrizgalni nastavek držite trdno z obema rokama.

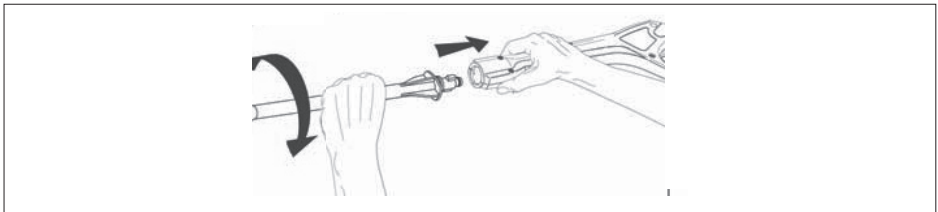
✿ Visokotlačno cev priključite na izhodno odprtino naprave. Pazite, da navoji pravilno prilegajo in da bo priključitev varna.



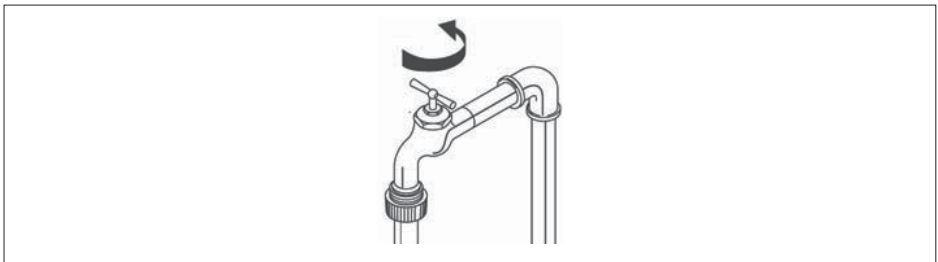
✿ Vrtno cev priključite na priključen na zadnji strani naprave. Pred priključitvijo vrtno cev splaknite (ni priložena) z vodo, da se splavijo kakršnikoli tuji predmeti.



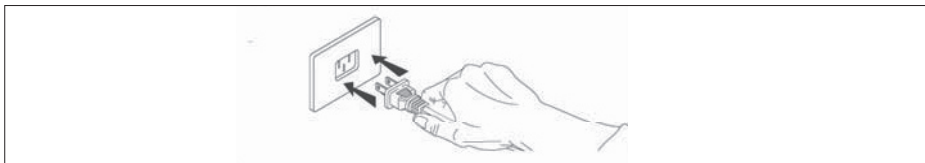
- ✿ V pištolo vstavite vbrizgalni nastavek tako, da ga porinete in hkrati obrnete za 1/4 vrtljaja proti smeri urinega kazalca, dokler ne pride do aretacije le-tega.



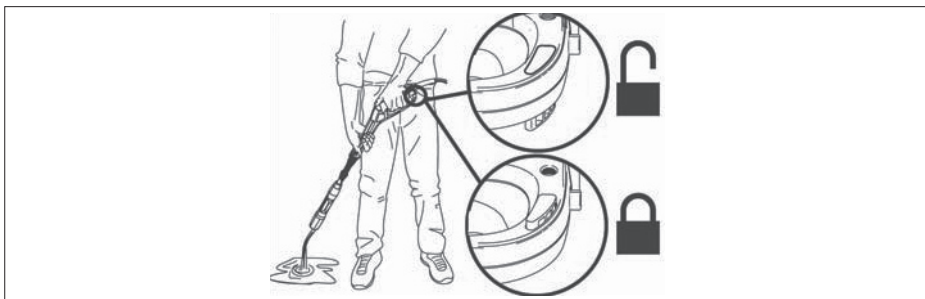
- ⚠ **POZOR!** Če nastavek ni varno aretiran, lahko bi bil med delovanjem zaradi visokega pritiska izstreljen in bi povzročil poškodbo ali škodo.
- ✿ Vklonite dovodno vodo in popolnoma odprite pipo za zagotovitev maksimalnega pretoka vode v napravo.



- ✿ Napravo priključite v primerno električno vtičnico.
- 📖 **Opomba:** Napajalni vir mora imeti določeni krog 230 V, 50 Hz in najmanj 15 amperov.




- ☼ Preverite, da je sproščena varovalka pištole in pritisnite sprožilec, dokler ne odide zrak in iz šobe ne začne izhajati enakomerni tok nizkotilačne vode.



- ☼ Stikalo obrnite v položaj VKLOPLJENO. Opazili boste, da se motor za kratek čas vklopi in nato ustavi.



- ☼ Pritisnite sprožilec za vklop motorja in začnite s tlačnim pomivanjem.

 **Opomba:** Motor teče le takrat, če je stisnjen sprožilec in brizga voda.

## Izklop

Informacije o postopkih za pravilen izklop in shranitev naprave so navedene v delu Shranjevanje teh navodil.



## 7. SKLADIŠČENJE


- ⚠ **POZOR!** Pred prenašanjem naprave vedno odstranite vrtno cev s pomočjo spojke vrtni cevi.
- ⚠ **POZOR!** Tlačni čistilec vedno hranite na mestu, kjer temperatura ne pade pod 40° F (4° C). Črpalka te naprave je v primeru mraza občutljiva na trajno poškodbo. GARANCIJA SE NE NANAŠA NA POŠKODBO ZARADI MRAZA.



### Navodila za končanje uporabe ih skladiščenje pozimi


- \* Po koncu uporabe čistilnega sredstva temeljito splaknite sesalno cev in šobo čistilnega sredstva, in sicer tako, da sesalno cev stavite v posodo s čisto vodo in šobo čistilnega sredstva pustite za 30 sekund teči na maksimalen pretok. S tem pride do izplaka vseh preostankov čistilnega sredstva iz sesalne cevi in šobe.
- 📖 **Opomba:** Če šobe ne boste temeljito očistili, lahko pride do zamašitve šobe čistilnega sredstva in ta lahko ne bo več delovala.
- \* Napravo IZKLOPITE in pritisnite sprožilec z namenom izpustitve ostalega tlaka znotraj naprave.
- \* Z naprave snemite vrtno cev in visokotlačno cev.
- \* S pištole snemite nastavek.
- \* Napravo VKLOPITE in jo pustite 5 sekund teči. (S tem pride do izpustitve večine vode, ki je ostala v črpalki).
- \* Napravo izključite iz dovoda električnega toka.
- \* Navijte visokotlačno cev in napajalni kabel na navijalo cevi/kabla po sliki.
- \* Napravo in pribor shranite na suhem, klimatiziranem mestu. Naprave ali pribora ne hranite na mestu, kjer temperatura lahko pade pod 40° F (4° C).

## 8. VODNIK SKOZI ODSTRANJEVANJE TEŽAV

DELOVNA TEŽAVA	MOŽEN VZROK	REŠITEV
Čistilno sredstvo se ne dozira	Čistilno sredstvo ni odobreno za dani tlačni čistilec	Uporabljajte le čistilna sredstva, razmaščevalna sredstva, voske in druge čistilne raztopine, ki so predvideni posebej za tlačne čistilce. Čistilci v tej kategoriji imajo na tablici vidno navedeno, da niso predvideni za uporabo v tlačnih čistilcih. V svojem tlačnem čistilcu NE UPORABLJAJTE nobene druge vrste čistilne raztopine. V svoji čistilni napravi nikoli ne uporabljajte belilnih sredstev, amonijaka ali kakršnekoli vrste kisline!
	Prišlo je do odklopa, zamašitve ali zvitja sesalne cevi	Pazite, da sesalna cev ni poškodovana in da bo redno priključena na šobo čistilnega sredstva. Cev po potrebi izključite, očistite in spet priključite.
	Šoba čistilnega sredstva je zamašena z umazanijo	Šobo čistite po navodilih v odstavku Šoba v delu Vzdrževanje teh navodil.
Razmerje čistilnega sredstva in vode		Tlačni čistilec jemlje čistilno sredstvo največ v razmerju 10:1 vode in čistilnega sredstva. Večina čistilnih sredstev za tlačne čistilce je koncentracije v tem intervalu, torej ni treba izvajati komplicirane nastavitve merilnega ventila šobe čistilnega sredstva. Če se vam zdi, da uporabljate več čistilnega sredstva, kot je za določeno uporabo potrebno, čistilno sredstvo lahko razredčite z navadno vodo iz vodovoda.

Prišlo je vklopa varnostnega stikala ali je pregorela varovalka v omari varovalk	Preobremenjen električni krog	Preverite, ali je električni krog predviden za vrednost 15 amperov ali viško. Pazite, da na isti krog niso priključeni nobeni drugi porabniki (pridržani krog).
	Predolgi podaljševalni kabel ali premajhen premer vodnika	Uporabe podaljševalnega kabla pri vašem tlačnem čistilcu ne priporočamo. Če morate podaljševalni kabel uporabiti, preverite, ali izpolnjuje minimalne zahteve, navedene v odstavku Podaljševalni kabel v delu Informacije o viru napajanja in električnem delu v teh navodilih.
Voda, uhajajoča iz pištole, nastavka ali visokotlačne cevi	Neppravilno priključen pribor	Preverite, ali so vsi deli (pištola, nastavek, visokotlačna cev) pravilno priključeni po napotkih, navedenih v teh navodilih.
Nizek / nestabilen tlak ali ne pride do ustavitve motorja po sproščanju brizgalne pištole  <b>Opomba:</b> Tlačni čistilec NE DOBIVA polnega obsega dovajane vode. Naprava zahteva vir tlačne vode s kapaciteto najmanj 20 psi pri pretoku 20 galonov na minuto.	Vodovodna pipa ni popolnoma odprta	Preverite, ali je maksimalno odprta pipa vira dovajane vode.
	Vrtna cev je predolga ali je zvita / zožena	Uporabite maksimalno dolžino vrtna cevi 50 čevljev (15,2 m)(voda iz mestnega vodovoda) ali 25 čevljev (7,5 m)(voda iz studenca). Pazite, da bo vrtna cev položena izravnano in da na njen ni nobenih zank ali da iz nje ne uhaja voda. Vrtno cev odvijajte morebiti iz navijala ali kavljja. V primeru potrebe cev zamenjajte.
	Vhodni vodni filer je zamašen.	Odstranite sito filt a (O) iz dovoda vode (M) in temeljito ga očistite. Sito filt a zamenjajte.
	Predolgi podaljševalni kabel ali premajhen prerez vodnika	Uporabe podaljševalnega kabla pri vašem tlačnem čistilcu ne priporočamo. Če morate podaljševalni kabel uporabiti, preverite, ali izpolnjuje minimalne zahteve, navedene v odstavku Podaljševalni kabel v delu Informacije o viru napajanja in električnem delu v teh navodilih.

Iz šobe ne izhaja voda	Šoba je zamašena	Očistite šobo po navodilih, navedenih v odstavku Šoba v delu Vzdrževanje teh navodil.
	Vhodni vodni filer je zamašen	Sito filt a (O) odstranite iz dovoda vode (M) in temeljito očistite. Sito filt a zamenjajte.
	Zanka na vrtni cevi, ali je cev navita na navijalu za skladiščenje	Uporabite maksimalno dolžino vrtno cevi 50 čevljev (15,2 m)(voda iz mestnega vodovoda) ali 25 čevljev (7,5 m)(voda iz studenca). Pazite, da bo vrtna cev položena izravnano in da na njeni nobenih zank ali da iz nje ne uhaja voda. Vrtno cev odvijajte morebiti iz navijala ali kavlja. V primeru potrebe cev zamenjajte.
Sprožilca brizgalne pištole NI MOŽNO premakniti	Aktivirana je varovalka pištole	Varovalko sprostite po napotkih v odstavku Vklp v delu Upravljanje teh navodil.
Naprave ni možno vklopiti  <b>Opomba:</b> Naprava se vklopi in dela le takrat, če je stisnjen sprožilec in brizga voda!	Naprava ni VKLOPLJENA	Preverite, ali je stikalo VKLOPLJENO/ IZKLOPLJENO popolnoma v položaju VKLOPLJENO.
Med normalnim delovanjem pride do ustavitve motorja  <b>Opomba:</b> Prihaja do vklopa toplotne varovalke motorja, ker je prišlo do pregretja motorja  Motor pustite 20 minut ohladiti in nato pride do samodejnega izbrisa varovalke	Pre dolgi podaljševalni kabel ali premajhen premer vodnika	Uporabe podaljševalnega kabla pri vašem tlačnem čistilcu ne priporočamo. Če morate podaljševalni kabel uporabiti, preverite, ali izpolnjuje minimalne zahteve, navedene v odstavku Podaljševalni kabel v delu Informacije o viru napajanja in električnem delu v teh navodilih.
	Napaka na brizgalni pištoli	Očistite šobo po navodilih, navedenih v odstavku Šoba v delu Vzdrževanje teh navodil.

<p>Priključitev in odstranitev brizgalnega nastavka</p> <p> <b>Opomba:</b></p> <p>Glede na visoke tlake, ki jih generira vaš tlačni čistilec, se mora nastavek tesno prilegati na pištolo. Kot posledica navadnega delovanja je lahko zahtevno nastavek natakniiti ali ga sneti in to opravilo lahko zahteva zelo veliko moč.</p>		<p><b>Če želite natakniiti nastavek</b> – nastavek potisnite z enakomernim pritiskom dol (v smeri sprožilca) in med z nastavkom vrtite za 90° proti smeri urinega kazalca. Lahko pomaga, če pištolo položite na ravno površino tako, da bo nastavek v smeri gor. Dva jezička na koncu nastavka morata biti popolnoma vstavljeni v pištolo, preden pride do obrtnive nastavka in njegove aretacije. Če to ne deluje, odstranite s konca nastavka bajonetni o-krogec in nastavek natakniite na pištolo brez tega o-krogca. Če je nastavek možno nastaviti na pištolo brez o-krogca, je o-krogec treba zamenjati.</p>
		<p><b>Če želite nastavek sneti</b> – izpusitite iz pištole / cevi ves preostali tlak s tem, da napravo IZKLOPITE in pritisnete sprožilec pištole. Nastavek potisnite z enakomernim pritiskom dol (v smeri sprožilca) in med z nastavkom vrtite za 90° v smeri urinega kazalca. Lahko pomaga, če pištolo položite na ravno površino tako, da bo nastavek v smeri gor.</p>

## 9. TEHNIČNI PODATKI

Nazivna napetost	230 V
Nazivna frekvenca	50 Hz
Nazivna moč	1200 W
Nazivni pritisk	6 MPa
Maksimalni pritisk	9 Mpa
Nazivni pretok	5,5 l/min.
Maksimalni pretok	7,5 l/min.
Maks. temperatura dovoda vode	40°C
Dolžina cevi	3 m
Delovno območje	8 m
Zaščitni razred	II.
Dolžina omrežnega kabla	5M
Dimenzije (širina x globina x višina)	265 x 260 x 430 mm
Masa brez nameščenega pribora	5,7 kg
Masa z nameščenim priborom	6,5 kg
Maksimalni izhodni pritisk vode v paskalih	0,69 MPa
Minimalni vhodni pritisk vode v paskalih, če je to potrebno za pravilno delovanje naprave	0,14 MPa
Nivo akustičnega tlaka (Lpa)	85 dB
Nivo zvočne moči, merjen (Lwa)	97 dB

Treslaji: Ah=0,5 ms<sup>2</sup>, K=1,5 ms<sup>2</sup>

Naprava je predvidena za delovanje v omrežju el. toka z impedanco sistema Z maks na mestu priključitve (hišni priključek) do vrednosti maksimalno 0,2770hm. Uporabnik mora zagotoviti, da bo naprava delovala le prek priključitve na omrežje el. toka, ki to zahtevo izpolnjuje. Če je treba, potem glede impedance v sistemu lahko vprašate lokalno energetska podjetje.

Sprememba besedila in tehničnih parametrov pridržana.

Priročnik je jezikovna različica.

# 10. IZJAVA O SKLADNOSTI

**Izdelek / znamka:** Visokotlačni čistilec / FIELDMANN

**Tip / model:** FDW 2004 E, FDW 201201-E ..... 230V 50Hz/1200W

## Izdelek je v skladu s spodaj navedenimi predpisi:

- ✿ Direktiva Evropskega parlamenta in Sveta 2014/35/ES o harmonizaciji pravnih predpisov držav članic, ki se nanašajo na električno opremo, predvideno za uporabo v določenih mejah napetosti.
- ✿ Direktiva Evropskega parlamenta in Sveta 2014/30/EU.  
O zblíževanju pravnih predpisov držav članic, ki se nanašajo na elektromagnetno združljivost in o ukinitvi direktive 89/336/EGS.
- ✿ Direktiva Evropskega parlamenta in Sveta 2006/42/ES z dne 17. maja 2006 O strojih in o spremembi direktive 95/16/ES.
- ✿ Direktiva Evropskega parlamenta in Sveta 2011/65/EU z dne 27. januarja 2003 o omejevanju uporabe nekaterih nevarnih snovi v električni in elektronski opremi.
- ✿ Direktiva Evropskega parlamenta in Sveta 2005/88/ES

## In norme:

EN 55014-1: 2006 + A1: 2009 + A2: 2011  
 EN 55014-2: 1997 + A1: 2001 + A2: 2008  
 EN 61000-3-2: 2006 + A1: 2009 + A2: 2009  
 EN 61000-3-3: 2013  
 EN 60335-1: 2012  
 EN 60335-2-79: 2012  
 EN 62233: 2008

**Oznaka CE:** ..... 16

Družba FAST ČR, a.s. je upravičena zastopati proizvajalca.

## Proizvajalec:

FFAST ČR, a.s.

Černokostelecká 2111, 100 00 Praha 10, Češka republika

ID za DDV: CZ26726548

V Prazi, 17.11.2016

Ime: Ing. Zdeněk Pech

Predsednik uprave Podpis in žigi:

**FAST** FAST ČR, a.s.  
 Černokostelecká 1621, 251 01 Píšťany  
 IČO: 26726548 tel.: +420/ 323 204 111  
 DIČ: CZ26726548 fax: +420/ 323 204 110

*Pech*

# 11. ODSTRANJEVANJE

## NAVODILA IN INFORMACIJE O RAVNANJU Z UPORABLJENO EMBALAŽO

Uporabljeni embalažni material odlagajte na mesto, ki ga je občina določila za odlaganje odpadkov.

## ODSTRANJEVANJE UPORABLJENIH ELEKTRIČNIH IN ELEKTRONSKIH NAPRAV



Ta simbol na izdelkih ali v prvotnih dokumentih pomeni, da se uporabljeni električni in elektronski izdelki ne smejo odlagati med navadne komunalne odpadke. Za pravilno odstranjevanje, obnovo in reciklažo te izdelke oddajte na določena zbirna mesta odpadkov. Alternativno v nekaterih državah Evropske unije ali drugih evropskih državah svoje izdelke lahko vrnete lokalnemu trgovcu ob nakupu ekvivalentnega novega izdelka. S pravilnim odstranjevanjem tega izdelka lahko ohranite dragocene naravne vire in pomagate preprečevati potencialne negativne posledice na okolje in človekovo zdravje, kar bi lahko imele posledice nepravilnega odstranjevanja odpadkov. Druge podrobnosti lahko dobite pri lokalni oblasti ali na najbližjem zbirnem mestu odpadkov. Pri nepravilnem odstranjevanju te vrste odpadkov so lahko v skladu z nacionalnimi predpisi izrečene globe.

### Za podjetne subjekte v državah Evropske unije

Če želite odstranjevati električne in elektronske naprave, priskrbite si potrebne informacije od svojega trgovca ali dobavitelja.

### Odstranjevanje v drugih državah izven Evropske unije

Ta simbol je veljaven v Evropski uniji. Če želite izdelek odstraniti, zahtevajte potrebne informacije o pravilnem načinu odstranjevanja pri lokalnih oblastih ali od svojega trgovca.



Ta izdelek izpolnjuje vse osnovne zahteve direktiv EU-ja, ki se nanj nanašajo.

Spremembe v besedilu, dizajnu in tehničnih specifikacijah se lahko spreminjajo brez prejšnjega opozorila in pridržujemo si pravico do spremembe le-teh.







# Visokotlačni čistač

## UPUTA ZA OPSLUŽIVANJE

**Zahvaljujemo se Vama na kupovini visokotlačni čistač. Prije nego što ga počnete koristiti, pročitajte molim pažljivo ovu uputu za opsluživanje i sačuvajte za slučaj slijedeće upotrebe.**

## SADRŽAJ

1. OPĆI SIGURNOSNI PROPISI .....	136
2. SIMBOLI .....	137
3. OPĆI OPIS .....	139
4. SIGURNOSNE UPUTE .....	140
5. UPUTE ZA MONTAŽU .....	143
6. POKRETANJE .....	144
7. POHRANJIVANJE .....	147
8. PRŮVODCE ODSTRAŇOVÁNÍM PROBLÉMŮ .....	148
9. TEHNIČKA SPECIFIKACIJA .....	152
10. IZJAVA O SUKLADNOSTI .....	153
11. LIKVIDACIJA .....	154

# 1. OPĆI SIGURNOSNI PROPISI

## Važna sigurnosna upozorenja

- ✿ Pažljivo otpakirajte proizvod i budite oprezni da ne zbacite bilo koji dio ambalaže prije nego što pronađete sve dijelove proizvoda.
- ✿ Držite proizvod na suhom mjestu, izvan dohvata djece.
- ✿ Pročitajte sva upozorenja i instrukcije. Nepoštivanje pridržavanja se upozorenja i instrukcija može uzrokovati strujni udar, požara i / ili teške ozljede.


## Ambalaža

Proizvod je smješten u ambalaži koja brani oštećenju kod transporta. Ova ambalaža je sirovina i moguće je ovu dati na recikliranje.

Barem tijekom jamstva preporučujemo držati originalno pakiranje, uključujući i unutarnje pakiranje, primitak i jamstveni list. U slučaju prijevoza, spakirati uređaj natrag u izvornu kutiju proizvođača, kako bi se osigurala maksimalna zaštita proizvoda tijekom eventualnog transporta (npr. seljenje ili slanje na servis).

## Uputa za korištenje

Prije nego što počnete s radom, pročitajte sljedeće sigurnosne propise i instrukcije za korištenje. Upoznajte se s elementima za opsluživanje i pravilnim korištenjem opreme. Uputu pomno sačuvajte za buduće potrebe. Barem tijekom jamstvenog razdoblja, preporučujemo sačuvati originalno pakiranje, uključujući i unutarnji materijal za pakiranje, račun i jamstveni list. U slučaju prijevoza, pakirajte stroj ponovo u originalnu kartonsku kutiju od proizvođača, kako bi se osigurala maksimalna zaštita tijekom transporta (npr., seoba ili slanje na servisno mjesto).

 **Bilješka:** Ako stroj dajete drugim osobama na raspolaganje, predajte ovaj zajedno sa uputom. Pridržavanje se priložene upute za opsluživanje je pretpostavka pravilnog korištenja stroja. Uputa za opsluživanje također sadrži upute za opsluživanje, održavanje i popravku.

**Proizvođač ne preuzima odgovornost za nezgode ili štete koje proizlaze iz nepoštivanja ove upute.**

## 2. SIMBOLI



Prije prvog puštanja u rad i prvog korištenja visokotlačnog perača pažljivo pročitajte, zbog vlastite sigurnosti i sigurnosti ostalih, ovu uputu za opsluživanje. Ovu uputu dobro pohranite i predajte svakom slijedećem korisniku da su informacije uvijek na raspolaganju.

Prije početka rada dobro se upoznajte sa svim upravljačkim elementima, osobito s funkcijama i djelovanjem. Eventualno se informirajte kod stručnjaka. Pažljivo pročitajte ovaj priručnik.



Pazite ! Ako se ošteti ili isprekida mrežni kabel, odmah izvucite utikač iz mrežne utičnice.



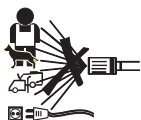
Uređaj nije namijenjen za priključak na postrojenje za opskrbu pitkom vodom.



Klasa zaštite



Ovaj proizvod izrađen je u skladu sa odobrenim standardima.



Visokotlačni perači mogu biti opasni ako se pogrešno koriste. Protok vode ne smije biti usmjeren na osobe, životinje, aktivne električne opreme ili same uređaje.

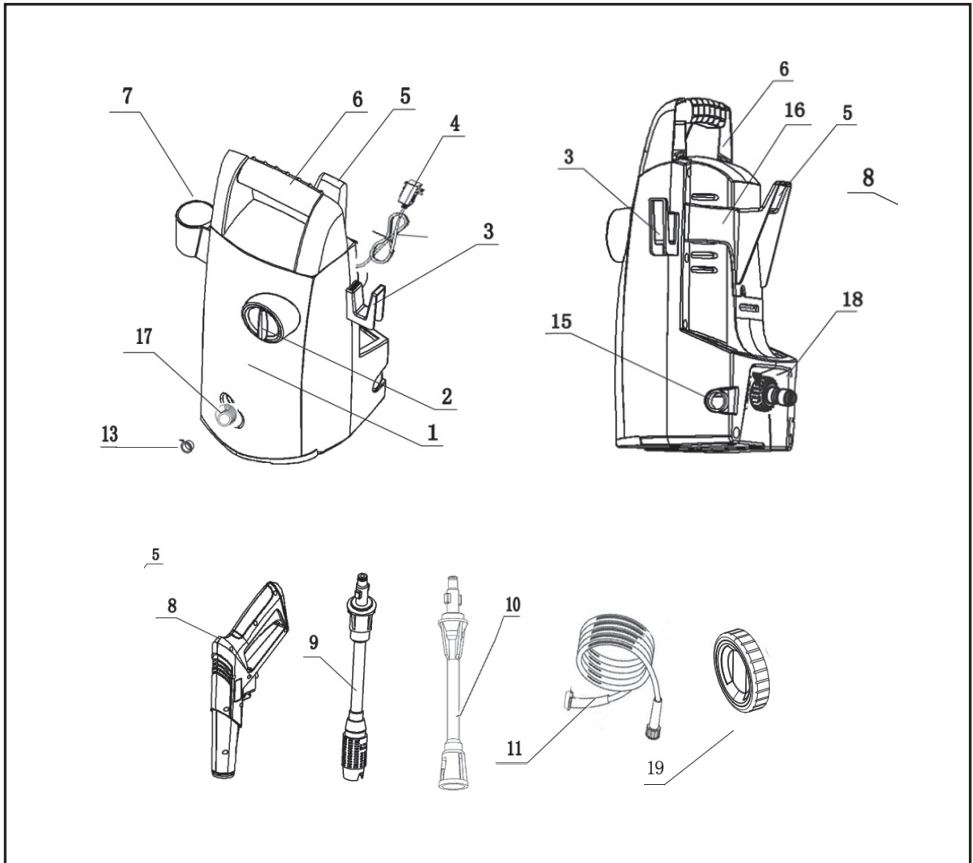


Električni uređaji ne spadaju u kućno smeće.



Nosite štitičke za uši.

### 3. OPĆI OPIS



- 1 - Motor i pumpa kućište
- 2 - On / Off prekidač
- 3 - Postavite visokotlačnu cijev / kabel
- 4 - Kabel za napajanje
- 5 - Nositelj cijjeva visokog tlaka
- 6 - Ručka
- 7 - Nosilac oprema
- 8 - Pištolja
- 9 - Varijabilni mlaznica sa drške

- 10 - Promjenjiva mlaznica sa drške
- 11 - Cijevo visokog tlaka
- 13 - Transport plug
- 15 - Pokriti rupu za volanom
- 16 - Držač mlaznice
- 17 - Izlaz visokog tlaka (metal)
- 18 - Dovod vode (plastične)
- 19 - Kotači

## 4. SIGURNOSNE UPUTE

### **⚠ PAŽNJA!** UPOZORENJE

Visokotlačne mlaznice mogu biti opasne ako se neispravno koriste.

Mlaznica ne smije biti usmjerena na osobe, električnu opremu pod strujom ili uređaj.

### **⚠ PAŽNJA!** UPOZORENJE

Nemojte koristiti stroj u blizini osobe, ako nema zaštitnu odjeću.

### **⚠ PAŽNJA!** UPOZORENJE

Ne usmjeravati mlaznicu protiv sebe ili drugih osoba u svrhu čišćenja odjeće ili obuće.

### **⚠ PAŽNJA!** UPOZORENJE

Opasnost od eksplozije – Ne koristiti zapaljive tekućine.

### **⚠ PAŽNJA!** UPOZORENJE

Visokotlačne čistače ne smiju koristiti djeca ili osobe koje nisu bile obučene.

### **⚠ PAŽNJA!** UPOZORENJE

Visokotlačna crijeva, armature i spojke su važne za sigurnost stroja. Koristiti samo crijeva, armature i spojke preporučene proizvođačem.

### **⚠ PAŽNJA!** UPOZORENJE

Da se zaštiti sigurnost stroja, koristite samo originalne rezervne dijelove od proizvođača ili dijelove odobrene od strane proizvođača.

### **⚠ PAŽNJA!** UPOZORENJE

Da stroj mora biti isključen iz napajanja tijekom čišćenja ili održavanja i kod zamjene dijelova ili prevođenje na drugu funkciju, u slučaju strojeva napajanih iz mreže povlačenjem iz utičnice.

### **⚠ PAŽNJA!** UPOZORENJE

Nemojte koristiti stroj, ako su dovod ili važni dijelovi strojeva ili dio stroja, kao što su sigurnosne opreme, visokotlačna crijeva, okidač - oštećeni.

### **⚠ PAŽNJA!** UPOZORENJE

Neprikladni produžni kablovi mogu biti opasni. Kada koristite produžni kabel mora biti utičnica i utikač u voodootpornoj izvedbi i poveznice mora biti suha i bez kontakta sa zemljom. Preporučuje se to učiniti pomoću vitla dovoda koji drži utičnicu najmanje 60 mm iznad tla.



## **⚠ PAŽNJA! UPOZORENJE**

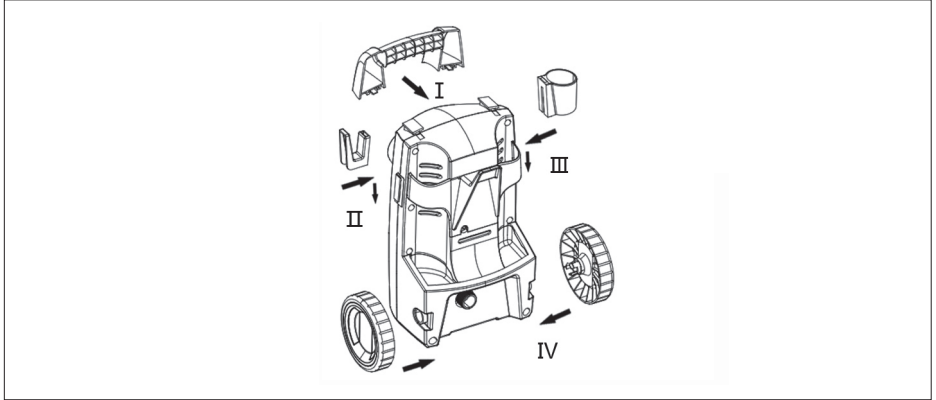
Uvijek isključite glavni prekidač - ako uređaj ostavite bez nadzora.

- ✿ 1. Pažljivo otpakirati proizvod i biti oprezni da ne izbacite bilo koji dio ambalaže prije nego što pronađete sve dijelove proizvoda.
- ✿ Ovaj proizvod nije namijenjen osobama (uključujući djecu) sa smanjenim fizičkim, sen ornim ili mentalnim sposobnostima ili nedostatkom iskustva i znanja, osim toga kada je nad njima stručni nadzor ili su ih uputile u korištenje aparata osobe odgovorne za njihovu sigurnost.
- ✿ Nikada nemojte koristiti pribor koji nije isporučen s ovim proizvodom ili nije namijenjen za to.
- ✿ nikakvom slučaju sami ne popravljajte proizvod i ne izvršavajte na njemu bilo kakve izmjene - opasnost od strujnog udara! Sve popravke i podešavanje proizvoda povjeriti specijaliziranoj tvrtci / servisu . Intervencijom u proizvod tijekom jamstvenog roka se može poništiti jamstvo.
- ✿ Nikada nemojte koristiti ovaj proizvod ako imate vlažne ruke ili noge.
- ✿ Koristiti proizvod i držati ga podalje od zapaljivih ili hlapivih tvari.
- ✿ Proizvod držite podalje od ekstremnih temperatura, izravne sunčeve svjetlosti, pretjerane lage i ne stavljajte ga u previše prašnjavoj okolini.
- ✿ Proizvod ne stavljajte blizu grijača, otvorene vatre i drugih uređaja ili opreme koji su izvor topline.
- ✿ Ne koristite proizvod za druge svrhe osim onih za koje je namijenjen .
- ✿ Prije uključanja proizvoda u utičnicu, provjerite je li napon naveden na etiketi proizvoda odgovara naponu u vašoj utičnici.
- ✿ Ne stavljajte kabel za napajanje u blizini vrućih površina ili oštih predmeta. Na kabel za napajanje nemojte stavljati teške predmete, kabel smjestite tako da se po njemu ne gazi. Provjerite da li kabel za napajanje ne dodiruje vruće površine.
- ✿ Ukoliko je kabel za napajanje oštećen, odnesite ga popraviti od strane ovlaštenog servisera ili neke druge kvalificirane osobe kako bi se izbjegle opasne situacije. Proizvod sa oštećenim kablom za napajanje ili utikačem je zabranjeno koristiti.
- ✿ Ne vucite utičnicu dovoda iz el. utikača povlačenjem kabela za napajanje.
- ✿ Ne prskajte proizvod vodom ili nekom drugom tekućinom. Nemojte sipati vodu ili drugu tekućinu u proizvod . Zabranjeno je proizvod uroniti u vodu ili drugu tekućinu.
- ✿ Proizvod nikad ne koristite u blizini kade, sudopera ili drugih posuda sa vodom.
- ✿ Ako proizvod trenutno ne koristite ili nećete koristiti, isključite ga i isključite ga iz el. utičnice. Prije čišćenja postupajte na isti način.
- ✿ Kada proizvod radi, nikada ga ne ostavljajte bez nadzora.
- ✿ Prije svakog spremanja ostaviti ga da se potpuno ohladi .

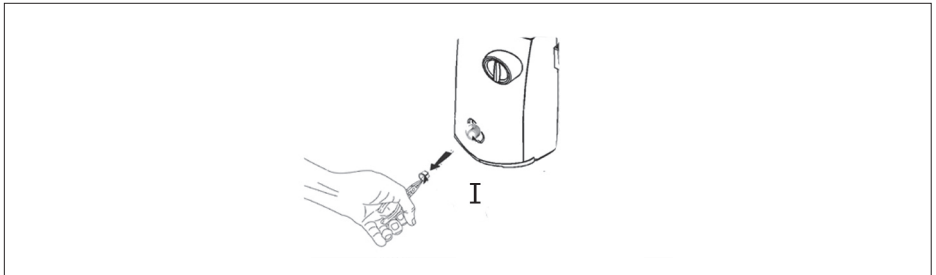
- ✿ Ako se proizvod koristi u neposrednoj blizini djece, budite oprezni. Uvijek imajte proizvod izvan dohvata djece. Djeca moraju biti pod nadzorom kako bi se osiguralo da se ne igraju s proizvodom.
- ✿ Dovod električne energije mora obaviti kvalificirani elektrotehničar, je preporučeno da dovod el. energije je opremljen ili sa naponskim zaštitnikom sa sposobnosti 30mA/30ms ili uređajem koji kontrolira krug uzemljenja (pitajte svog elektroinstalatera o mogućnostima instalacije).
- ✿ S akim povlačenjem kabla za napajanje ga možete oštetiti.
- ✿ Kako bi izbjegli oštećenje crijeva, ne stanite na njega niti na silu ga ne preklapajte. Nemojte koristiti proizvod sa slomljenim ili na drugi način oštećenim crijevom.
- ✿ Nemojte mrežni kabel gaziti proizvodom.
- ✿ Ovaj proizvod je opremljen toplinskim osiguračem, ako se pregreje motor ili pumpa, toplinski osigurač uređaj isključuje. Nakon što motor ili pumpa se ohladi, proizvod je moguće ponovno pokrenuti. Opresz !!! Da bi se izbjegla opasnost zbog naglog resetiranja osigurača topline, ovaj uređaj ne smije biti napajan preko vanjskog uređaja za prebacivanje poput mjerača vremena, ili ne može biti spojen na strujni krug čije svojstvo je redovito se uključivati i isključivati.
- ✿ Visokotlačna struja može biti opasna ako se nepropisno koristi. Zabranjeno je usmjeravati struju protiv drugima, sebi, životinja, električnih uređaja ili visokotlačno perača.
- ✿ Pištolj niti dršku nikada ne stavljajte blizu očiju niti ušiju.
- ✿ Ako morate koristiti produžni kabel za napajanje, kabel mora imati vodootpornu konstrukciju.
- ✿ Proizvođač ne odgovara za štete nastale uslijed nepravilne uporabe aparata i njegovih odataka (ozljeda, opekotina, opekline, požar, kvarenje hrane, itd.)

## 5. UPUTE ZA MONTAŽU

- ❁ Pronađite i izvadite iz kutije sve pojedinačne dijelove.
- ❁ Zatvorite



- ❁ Skinite i likvidirajte čep za prijevoz iz izlaznog otvora u prednjem dijelu uređaja.



### POGONSKI ELEMENTI TLAČNOG PERAČA KAKO KORISTITI VARIABILNU DRŠKU ZA ŠPTRICANJE

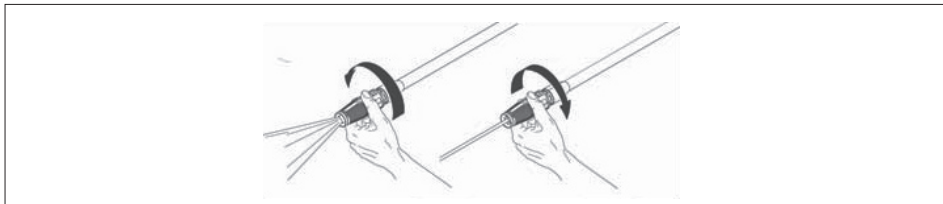
#### ⚠ PAŽNJA! UPOZORENJE

Snažni mlaz vode iz Vašeg tlačnog perača može oštetiti površine, kao što su drvo, staklo, automobilske boje, automobilski pribor i letvice i osjetljive predmete kao što su cvijeće i grmlje. Prije prskanja uvjerite se da je predmet koji treba da se čisti dovoljno otporni na oštećenja snagom mlaza vode. Podešavanje mlaza vode na 0 °, struja – tanka kao dlaka je agresivna. Kut mlaza vode 20 ° preporuča se za većinu čišćenja, kako da se izbjegnute štete na površini koja se čisti.

**Napomena:** Tlak mlaza vode na čišćenje površine raste ukoliko se drška približava površini koja se čisti.

Postavljanje visokog tlaka je pogodno za pranje i ispiranje.

Za rad s visokim tlakom povucite natrag mlaznicu varijabilne drške za prskanje.



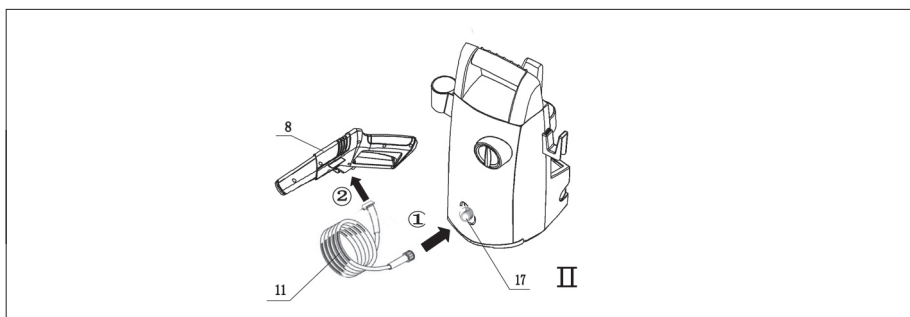
## 6. POKRETANJE

**⚠ OPASNOST!** Opasnost ozljede od vodenog mlaza. Ukoliko nije korištena pištolj, uvijek aktivirajte osigurač. Inače može slučajno započeti mlaz vode.

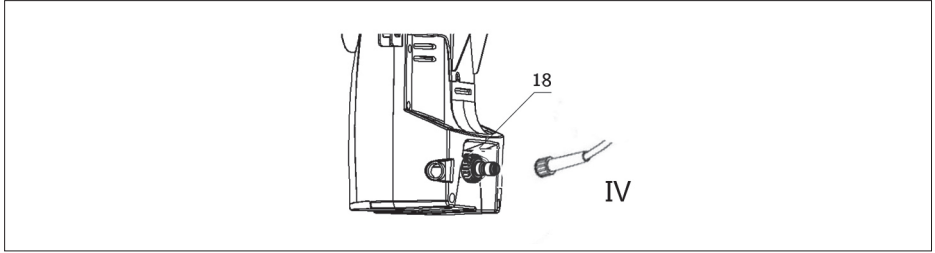
**⚠ OPREZ!** Rizik od ozljede. Ne usmjeravajte mlaz vode na sebe ili druge.

**⚠ OPREZ!** Rizik od nesigurnog rada. Stanite na stabilnu površinu i držite pištolj / dršku za špricanje čvrsto s obje ruke.

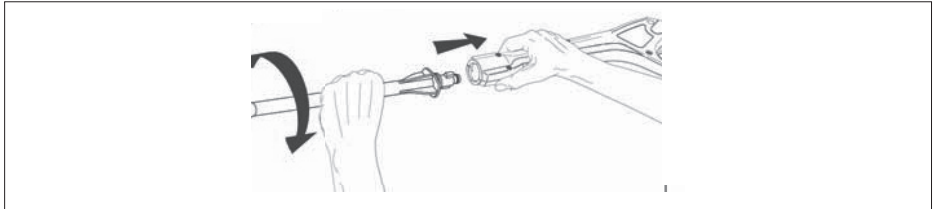
✿ Priključite visokotlačno crijevo izlaznom otvoru uređaja. Pazite da navoji ispravno pristanju i da priključenje je sigurno.



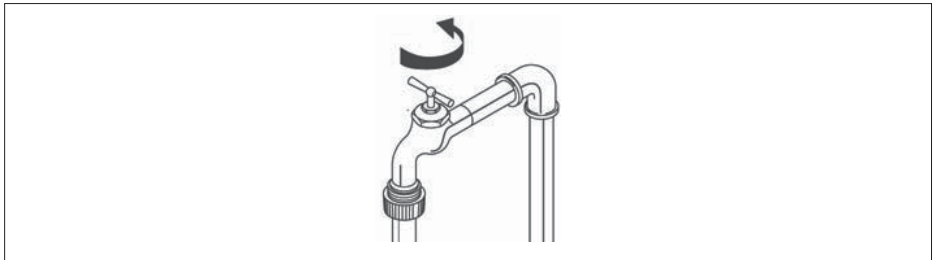
✿ Spojite vrtno crijevo na priključak na stražnjoj strani uređaja. Prije spajanja isperite vrtno crijevo (nije sastavni dio isporuke) vodom da se ispiru strana tijela.



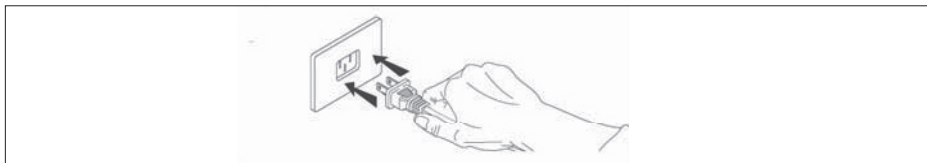
- \* Stavite u pištolj dršku za špricanje, tako da nju ćete pritiskati i istovremeno sa njom rotirati  $\frac{1}{4}$  okretaja suprotno od smjera kazaljke na satu dok se ne aktivira.



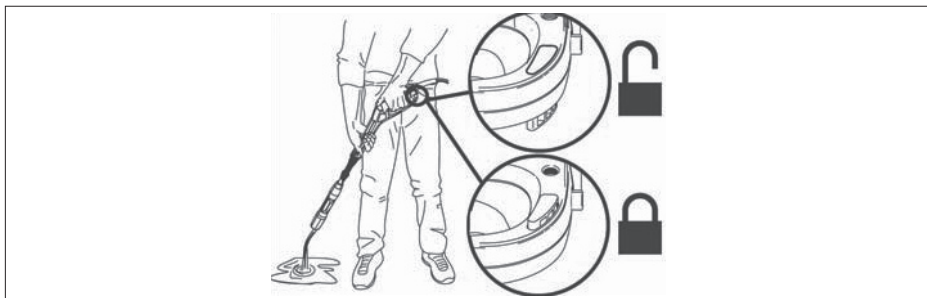
- ⚠ **OPREZ!** Ukoliko nije drška sigurno priključena, to bi mogla tijekom rada zbog visokog tlaka katapultirati i uzrokovati ozljede ili oštećenja.
- \* Uključite dovod vode i potpuno otvorite slavinu za osiguranje maksimalnog protoka vode u ovaj uređaj.



- \* Priključite ovaj uređaj prikladnoj električnoj utičnici.



- Uvjerite se da je oslobođen osigurač pištolje i pritisnite okidač dok ne izađe zrak, i iz mlaznice ne počinje izlaziti stalan tok niskog tlaka vode.



- Okrenite prekidač u položaj UKLJUČENO. Imajte na umu da motor radi za kratko vrijeme, a zatim se zaustavlja.



- Pritisnite okidač za pokretanje motora i izvodite tlačno pranje.
- Napomena:** Motor radi samo kada se pritisne okidač i voda prska.

## Isključenje

Informacije o postupcima za pravilno isključenje i pohranu uređaja su navedene u dijelu Skladištenje ovog priručnika.

## 7. POHRANJIVANJE

**⚠ OPREZ!** Prije premještanja uređaja uvijek izvucite vrtnu cijev pomoću spojnice vrtno cijevi.

**⚠ OPREZ!** Tlačni perač uvijek pohranite na mjestu gdje se temperatura ne spusti ispod 40 ° F (4 ° C). Pumpa ovog uređaja u slučaju mraza je sklona trajnom oštećenju. JAMSTVO SE NE ODNOSI NA ŠTETU USLIJED SMRZAVANJA.

### Upute za završetak korištenja i skladištenje zimi

✿ Po završetku uporabe sredstva za čišćenje temeljito isperite usisnu cijev i mlaznicu za sredstva za čišćenje umetanjem usisne cijevi u spremnik sa čistom vodom i pustite mlaznicu za sredstva za čišćenje na maksimalni protok u vremenu od 30 sekundi. To će istjerati sve preostale deterđente iz usisne cijevi i mlaznice.

**📖 Napomena:** Ako ne izvedete temeljito čišćenje, može se začepiti mlaznica sredstva za čišćenje a ova može postati neupotreblijiva..

✿ ISKLJUČITE uređaj i pritisnite okidač da se isprazni preostali tlak unutar uređaja.

✿ Izvadite iz uređaja vrtnu cijev i visokotlačno crijevo.

✿ Izvadite dršku iz pištolja.

✿ UKLJUČITE uređaj i pustite da radi za 5 sekundi. (To će pokrenuti otpuštanje najviše količine vode, koja je ostala u pumpi).

✿ Isključite uređaj iz struje.


✿ Namotajte visokotlačno crijevo i kabel za napajanje na vitlo crijeva / kabela kao što je prikazano na slici.



✿ Spremite uređaj i opremu na suhom, klimatiziranom mjestu. Ne držite uređaj ili dodatnu opremu u mjestu gdje temperatura može pasti ispod 40 ° F (4 ° C).


## 8. VODIČ ZA OTKLANJANJE PROBLEMA

PROBLEMI S POGONOM	MOGUĆI UZROK	RJEŠENJE
Nije dozirano sredstvo za čišćenje	Sredstvo za čišćenje nije odobreno za određeni visokotlačni perlač	Koristite samo sredstva za čišćenje, sredstva za skidanje masti, voskove ili druge otopine koje su specijalno namijenjene za tlačne perlače. Čistači u ovoj kategoriji imaju jasno navedeno na etiketi, da oni nisu namijenjeni za primjenu u tlačnim perlačima. <b>NE KORISTITE</b> za Vaš tlačni perlač nikakav drugu tip otopine za čišćenje. Nikada u svom uređaju ne koristite bijelila, amonijak ili bilo koju vrstu kiseline!
	Usisna cijev je bila isključena, zagušena ili iskrivljena	Uvjerite se da usisna cijev nije bila oštećena i da je ispravno priključena na mlaznicu sredstva za čišćenje. Ako je potrebno odvojite cijev, očistite i ponovo priključite.
	Mlaznica sredstva za čišćenje je zagušena od nečistoća	Očistite mlaznicu na način opisan u stavci Mlaznica u dijelu Održavanje ovog priručnika.
Omjer vode i sredstva za čišćenje		Tlačni perlač oduzima sredstvo za čišćenje u 10:01 - omjer vode i deterdženta. Većina sredstava za čišćenje za tlačni perlač ima koncentraciju u tom intervalu, tako da nema potrebe za obavljanje složenog postavljanja mjernog ventila mlaznice sredstva za čišćenje. Ako mislite da koristite više deterdženta nego što je potrebno za određeno korištenje, možete sredstva za čišćenje razrijediti običnom vodom iz vodovoda.



Aktivirao se osigurač ili pregorjeli osigurač je u kutiji sa osiguračima	Preopterećeni električni krug	Provjerite je li strujni krug dimenzioniran na vrijednost za 15 ampera ili viši. Uvjerite se da u isti električni krug nisu bili priključeni nikakvi drugi potrošač (rezervirani krug).
	Suviše dugački produžni kabel ili premali presjek vodiča	Mi ne preporučujemo da koristite produžni kabel kod svog tlačnog perača. Ako morate koristiti produžni kabel, pobrinite se da ispunjava minimalne uvjete iz stavke Produžni kabel Informacijskog dijela napajanja i električnog dijela ovog priručnika.
Voda koja curi iz pištolja za špricanje, drške ili visokotlačnog crijeva.	Neispravno priključena oprema	Provjerite jesu li svi dijelovi (pištolj, drška, visokotlačno crijevo) pravilno spojeni prema uputama navedenim i ovom priručniku.
Nizak / nestabilan tlak ili motor se ne zaustavlja kada se oslobodi pištolj za špricanje  <b>Napomena:</b> Tlačni perač NE PRIMA punu zapreminu vode. Uređaj zahtijeva izvor vode pod tlakom s kapacitetom od najmanje 20 psi kod protoka od 20 galona u minuti.	Slavina za vodu nije potpuno otvorena	Uvjerite se da li je slavina kao izvor dovoda vode potpuno otvorena.
	Vrtno crijevo je suviše dugački ili iskrivljeno/suženo	Koristite najveću duljinu vrtnog crijeva 50 stopa (15,2 m) (voda iz gradske opskrbe vodom) ili 25 stopa (7,5 m) (voda iz bunara). Pobrinite se da vrtno crijevo je položeno ravno i bez nikakvih petlja ili da iz njega ne curi voda. Vrtno crijevo eventualno i opustite od koluta ili kuke. Ako je potrebno, zamijenite crijevo.
	Ulazni filtar za vodu je začepljen.	Izvadite mrežicu filtra (O) iz dovoda vode (M), te nju temeljito očistite. Zamijenite mrežicu.
	Suviše dugačak kabel ili premali presjek vodiča	Mi ne preporučujemo da koristite produžni kabel kod svog tlačnog perača. Ako morate koristiti produžni kabel, pobrinite se da ispunjava minimalne uvjete iz stavke Produžni kabel Informacijskog dijela napajanja i električnog dijela ovog priručnika.

Iz mlaznice voda ne izlazi	Mlaznica je začepljena	Očistite mlaznicu na način opisani u stavci Mlaznica u dijelu Održavanje ovog priručnika.
	Filtar ulaza vode je začepljen	Izvadite mrežicu filt a (O) iz dovoda vode (M), te nju temeljito očistite. Zamijenite mrežicu
	Petlja na vrtnom crijevu ili crijevo je namotano na kolut za pohranu	Koristite najveću duljinu vrtnog crijeva 50 stopa (15,2 m) (voda iz gradske opskrbe vodom) ili 25 stopa (7,5 m) (voda iz bunara). Pobrinite se da vrtno crijevo je položeno ravno i bez nikakvih petlja ili da iz njega ne curi voda. Vrtno crijevo eventualno i opustite od koluta ili kuke. Ako je potrebno, zamijenite crijevo.
NIJE MOGUĆE pomaknuti prekidač pištolja za špricanje	Aktiviran je osigurač na pištolju	Oslobodite osigurač prema uputama u stavci Pokretanje u dijelu Opsluživanje ovog priručnika
Uređaj nije moguće pokrenuti  <b>Napomena:</b> Uređaj se pokrene i radi samo tada, ukoliko je stisnuti prekidač i voda šprica!	Uređaj nije UKLJUČEN	Prekontrolirajte da li je prekidač UKLJUČENO/ ISKLJUČENO potpuno u poziciji UKLJUČENO.
Tijekom normalnog rada motora dođe do zaustavljanja motora  <b>Napomena:</b> DToplinski osigurač motora se aktivirao jer se motor pregrijao  Ostavite motor na 20 minuta da se ohladi i nakon toga dođe do automatskog resetiranja osigurača	Suviše dugački produžni kabel ili premali presjek vodiča	Mi ne preporučujemo da koristite produžni kabel kod svog tlačnog perača. Ako morate koristiti produžni kabel, pobrinite se da ispunjava minimalne uvjete iz stavke Produžni kabel Informacijskog dijela napajanja i električnog dijela ovog priručnika.
	Pokvaren pištolj za špricanje	Očistite mlaznicu na način opisan u stavci Mlaznica u dijelu Održavanje ovog priručnika.

<p>Priključenje isključenje drške za špricanje</p> <p> <b>Napomena:</b> S obzirom na visoke tlakove koje generira Vaš tlačni perlač mora drška tijesno prianjati na pištolj. Posljedicom redovnog rada može biti teško dršku staviti ili skinuti i ova radnja može zahtijevati veliku snagu.</p>		<p><b>Ako želite postaviti dršku –</b> ravnomjernim tlakom pritisnite dršku prema dolje (u smjeru okidača) i okrenite dršku o 90° suprotno. smjeru kazaljki na satu To može pomoći ako ste stavili pištolj na ravnu površinu, tako da je drška okrenuta prema gore. Dva jezika na kraju drške moraju biti u potpunosti umetnute u pištolj-dok ne dođe do okretanja drške i prije njene aretacije.. Ako to ne radi, uklonite iz kraja bajonetni O – prsten i stavite dršku na pištolj bez ovog O – prstena . Ako se može staviti drška na pištolj bez O-prstena, onda O-prsten mora biti zamijenjen.</p>
		<p><b>Ako želite ukloniti dršku –</b> ispustite iz drške/crijeva sav ostali tlak, tako da uređaj ISKLUČITE i stisnete okidač pištolja. Pritisnite dršku ravnomjernim tlakom prema dolje (u smjeru okidača) i pri tome okrenite drškom o 90° u smjeru kazaljki na satu. To može pomoći ako ste stavili pištolj na ravnu površinu, tako da je drška okrenuta prema gore.</p>

## 9. TEHNIČKI PODACI

Nazivni napon	230 V
Nazivna frekvencija	50 Hz
Nazivna primljena snaga	1200 W
Nazivni tlak	6 MPa
Maksimalni tlak	9 Mpa
Nazivni protok	5,5 l/min.
Maksimalni protok	7,5 l/min.
Maks. temperatura dovoda vode	40°C
Duljina crijeva	3 m
Domet rada	8 m
Stupanj zaštite	II.
Duljina mrežnog kabela	5M
Dimenzije (širina x dubina x visina)	265 x 260 x 430 mm
Masa bez pribora	5,7 kg
Masa s pričvršćenim priborom	6,5 kg
Maksimalni ulazni tlak vode u paskalima	0,69 MPa
Minimalni ulazni tlak vode u paskalima, ako je to neophodno za pravilan rad uređaja	0,14 MPa
Razina akustičnog tlaka (L <sub>pa</sub> )	85 dB
Razina akustičkog svojstva mjerena (L <sub>wa</sub> )	97 dB

Vibracije: Ah=0,5 ms<sup>2</sup>, K=1,5 ms<sup>2</sup>

Ovaj uređaj namijenjen je za uporabu u mreži el. struje s impedancijom sustava Z maks. na priključnom mjestu (kućni priključak) do maksimalne vrijednosti od 0,277 Ohm. Korisnik mora osigurati da uređaj radi samo priključenjem u mrežu el. struje, koja ispunjava taj uvjet. Ako je to neophodno, onda za impedanciju u sustavu možete pitati lokalnu energetska tvrtku.

Izmjena teksta i tehničkih parametara je rezervirana.

Korisnički priručnik je u jezičnoj kombinaciji.

# 10. IZJAVA O SUKLADNOSTI

**Proizvod/ oznaka:** USISIVAČ PREPELA / FIELDMANN

**Tip / model:** FDW 2004-E, FDW 201201-E..... 230 V/50 Hz/1 200 W

## Proizvod je u sukladnosti sa dolje navedenim propisima:

- ✿ Direktiva Europskog parlamenta i Vijeća 2014/35/EU o harmonizaciji pravnih propisa država članica koje se odnose na električnu opremu namijenjenu za uporabu unutar određenih naponskih granica.
- ✿ Direktiva Europskog parlamenta i Vijeća 2014/30/EU o približavanju pravnih propisa država članica koje se odnose na elektromagnetsku kompatibilnost i ukidanje Direktive 89/336/EHS.
- ✿ Direktiva Europskog parlamenta i Vijeća 2006/42/ES od 17. svibnja 2006 za strojeve i o izmjeni Direktive 95/16/ES.
- ✿ Direktiva Europskog parlamenta i Vijeća 2011/65/EU od 27. siječnja 2003 o ograničenjima uporabe nekih opasnih materija u električnim i elektroničkim uređajima
- ✿ Direktiva Europskog parlamenta i Vijeća 2005/88/ES

## i standardima:

- ✿ EN 55014-1: 2006 + A1: 2009 + A2: 2011
- ✿ EN 55014-2: 1997 + A1: 2001 + A2: 2008
- ✿ EN 61000-3-2: 2006 + A1: 2009 + A2: 2009
- ✿ EN 61000-3-3: 2013
- ✿ EN 60335-1: 2012
- ✿ EN 60335-2-79: 2012
- ✿ EN 62233: 2008

**Oznaka CE:** ..... 16

Trgovačko društvo FAST ČR, a.s.(d.d.) je ovlašteno pregovarati u ime proizvođača.

## Proizvođač:

FAST ČR, a.s.  
Černokostelecká 2111, 100 00 Prag 10, Češka Republika  
DIČ (Porezni ident.broj): CZ26726548

U Pragu, 17. 11. 2016. g.

Ime: Dipl.Ing. Zdeněk Pech  
Predsjednik upravnog odbora

**FAST** FAST ČR, a.s.  
Černokostelecká 1621, 251 01 Fúčany  
IČO: 26726548 tel.: +420/ 323 204 111  
DIČ: CZ26726548 fax: +420/ 323 204 110



Potpis i pečat:

# 11. LIKVIDACIJA

## UPUTE I INSTRUKCIJE O ODLAGANJU ISKORIŠTENE AMBALAŽE

Iskorišteni materijal ambalaže odložite na mjesto namijenjeno općinom za odlaganje otpada.

## LIKVIDACIJA KORIŠTENIH ELEKTRIČNIH I ELEKTRONSKIH UREĐAJA



Ovaj simbol na proizvodima ili u pratećim dokumentima znači da iskorišteni električni i elektronički proizvodi ne mogu biti miješani sa standardnim komunalnim otpadom. Za ispravnu likvidaciju, renoviranje i recikliranje odložite ove proizvode na određena sabirna mjesta. Alternativno u nekim zemljama Europske unije ili u drugim europskim zemljama možete vratiti svoje proizvode lokalnom prodavatelju prilikom kupnje ekvivalentnog novog proizvoda. Ispravnom likvidacijom ovog proizvoda pomažete održati cijenjene prirodne izvore i tako stavljene novčane kazane na životni okoliš i ljudsko zdravlje, što bi moglo prouzrokovati posljedice neispravne likvidacije otpada. Za više detaljna obratite se mjesnim vlastima ili najbližim odlagalištima. Kod neispravne likvidaciji ove vrste otpada mogu biti u skladu s narodnim propisima naplaćene novčane kazne.

### Za privredne subjekte u zemljama Europske unije

Ukoliko hoćete likvidirati električne i elektroničke uređaje, zatražite potrebne informacije od vašeg prodavatelja ili dobavljača. Likvidacija u drugim zemljama izvan Europske unije. Ovaj simbol je važeći u Europskoj uniji. Ukoliko hoćete ovaj proizvod likvidirati, zahtijevajte potrebne informacije za ispravan način likvidacije od lokalnih vlasti svog prodavatelja.



Ovaj proizvod zadovoljava sve temeljne zahtjeve smjernica EU, koje se odnose na njega.

Izmjene u tekstu, dizajnu i u tehničkim specifikacijama mogu se promijeniti bez prethodne najave i zadržavamo pravo da ih promijenimo.







# Минимойка

## HASZNÁLATI ÚTMUTATÓ

Благодарим Вас, что Вы приобрели этот минимойка. Прежде, чем Вы начнете им пользоваться, внимательно прочтите, пожалуйста, настоящую инструкцию по применению и сохраните ее на случай дальнейшего использования.

## СОДЕРЖАНИЕ

1. ОБЩИЕ УКАЗАНИЯ ПО ТЕХНИКЕ БЕЗОПАСНОСТИ .....	158
2. СИМВОЛЫ .....	159
3. ОБЩЕЕ ОПИСАНИЕ.....	161
4. УКАЗАНИЯ ПО ТЕХНИКЕ БЕЗОПАСНОСТИ .....	162
5. УКАЗАНИЯ ПО МОНТАЖУ .....	165
6. ЗАПУСК .....	166
7. ХРАНЕНИЕ .....	169
8. РУКОВОДСТВО ПО УСТРАНЕНИЮ ПРОБЛЕМ .....	170
9. ТЕХНИЧЕСКАЯ СПЕЦИФИКАЦИЯ .....	174
10. СЕРТИФИКАТ СООТВЕТСТВИЯ .....	175
11. УТИЛИЗАЦИЯ .....	176

# 1. ОБЩИЕ ПРАВИЛА БЕЗОПАСНОСТИ

## Важные предупреждения по безопасности

- ✿ Изделие аккуратно распакуйте и следите за тем, чтобы случайно не выбросить какую-нибудь часть упаковки раньше, чем будут распакованы все детали изделия.
- ✿ Изделие храните в сухом месте, недоступном для детей.
- ✿ Прочтите все предупреждения и указания. Пренебрежение соблюдением предупреждений и указаний может прив

**⚠ ВНИМАНИЕ!** Риск поражения электрическим током!

## Упаковка

Изделие уложено в упаковке, предотвращающей повреждение при транспортировке. Эта упаковка является вторсырьем, поэтому ее можно сдать на переработку.

Минимально в течение действия гарантии рекомендуем сохранять оригинальную упаковку вместе с внутренним упаковочным материалом, кассовый чек и гарантийный талон. Для транспортировки упакуйте устройство обратно в оригинальную коробку изготовителя, так Вы обеспечите максимальную защиту изделия при возможной транспортировке (напр. при переезде или отправке в сервисный центр).

## Инструкция по применению

Прежде чем Вы начнете работать с устройством, прочтите следующие предписания по безопасности и указания по применению. Ознакомьтесь с элементами управления и правильным применением устройства. Инструкцию надежно уложите для последующего использования. Минимально в течение гарантийного срока рекомендуем хранить оригинальную упаковку вместе с внутренним упаковочным материалом, кассовый чек и гарантийный талон. В случае транспортировки упакуйте устройство снова в оригинальную коробку изготовителя. Так Вы обеспечите максимальную защиту изделия во время возможной транспортировки (напр. переезд или посылание в сервисный центр).

**📖 Примечание:** Если будете передавать устройство другим лицам, передавайте его вместе с инструкцией. Соблюдение приложенной инструкции по применению является предпосылкой надлежащего использования устройства. Инструкция по применению содержит также указания по применению, обслуживанию и ремонту.

**Изготовитель не берет на себя ответственность за несчастные случаи или ущерб, возникший в результате несоблюдения настоящей инструкции.**

## 2. СИМВОЛЫ



Внимательно прочтите перед первым вводом в эксплуатацию для Вашей собственной безопасности и безопасности других настоящую инструкцию по обслуживанию, прежде чем начнете пользоваться высоконапорной минимойкой. Хорошо сохраните настоящую инструкцию и передайте ее любому другому пользователю, чтобы эта информация была под рукой в любой момент.

Перед началом работы хорошо ознакомьтесь со всеми органами управления, прежде всего, с функциями и действием. В случае неясности обращайтесь к специалисту. Внимательно читайте настоящее руководство пользователя.



Настоящее изделие изготовлено в соответствии с утвержденными нормами.



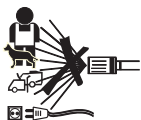
Внимание! При повреждении или перебитии сетевого кабеля сразу же выньте штепсель из розетки.



Устройство не предназначено для подключения к устройству для обеспечения питьевой водой.



Класс защиты.



Высоконапорные минимойки при неправильном использовании могут быть опасными. Запрещено направлять струю воды на людей, животных, на включенное электрооборудование или на саму минимойку.

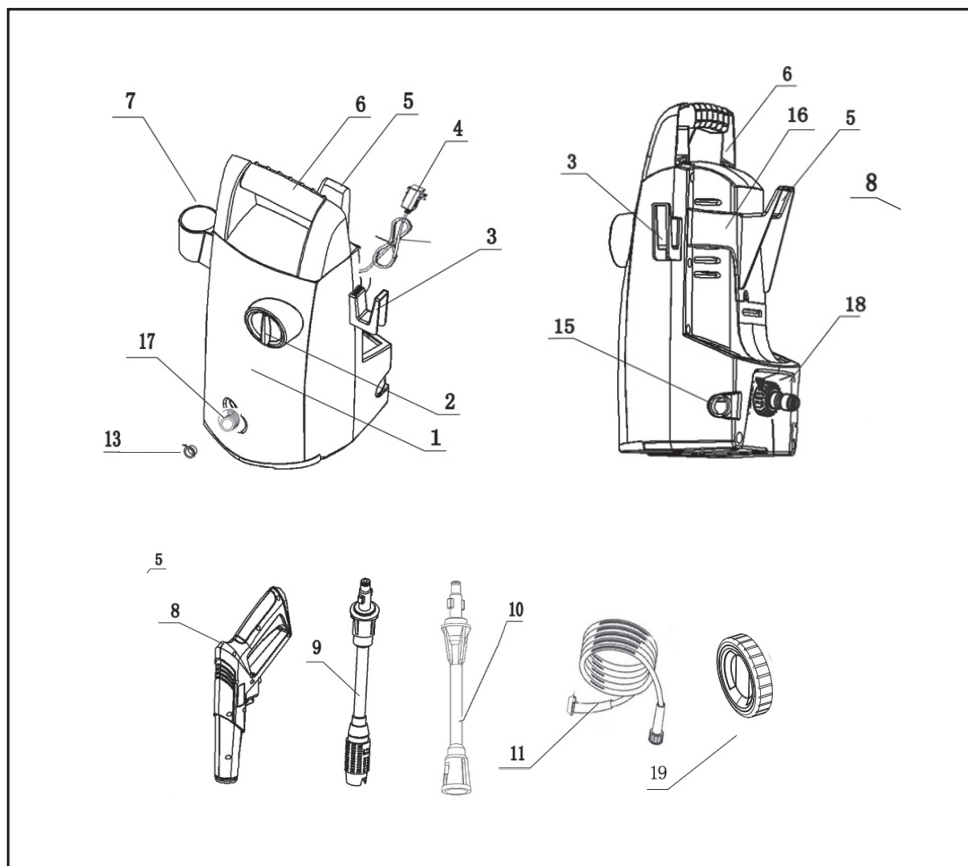


Электрические устройства не относятся к бытовым мусором.



Электрооборудование не относится к коммунальным отходам.

### 3. ОБЩЕЕ ОПИСАНИЕ



- |   |  |
|---|--|
| 1 - Мотор и корпуса насоса                        | 10 - Переменная форсунка с наконечником    |
| 2 - Вкл / Выкл                                    | 11 - шланг высокого давления               |
| 3 - Установите шланг / кабель высокого давления   | 13 - Транспорт плагин                      |
| 4 - Шнур питания                                  | 15 - Закройте отверстие для колеса         |
| 5 - держатель шланга высокого давления            | 16 - держатель форсунки                    |
| 6 - Ручка   | 17 - выход высокого давления (металл)      |
| 7 - держатель Аксессуары                          | 18 - впускное отверстие для воды (пластик) |
| 8 - Распылитель                                   | 19 - Колеса                                |
| 9 - переменная насадка-распылитель с наконечником |  |

## 4. УКАЗАНИЯ ПО ТЕХНИКЕ БЕЗОПАСНОСТИ

### ⚠ **ВНИМАНИЕ!** ПРЕДОСТЕРЕЖЕНИЕ!

Высоконапорные форсунки могут быть опасными, если они неправильно используются.

Форсунку запрещено направлять на людей, электрооборудование под напряжением или на само устройство.

### ⚠ **ВНИМАНИЕ!** ПРЕДОСТЕРЕЖЕНИЕ!

Не пользоваться устройством в пределах досягаемости людей, если на них нет защитного костюма.

### ⚠ **ВНИМАНИЕ!** ПРЕДОСТЕРЕЖЕНИЕ!

Не направлять форсунку на себя или иных людей для чистки одежды или обуви.

### ⚠ **ВНИМАНИЕ!** ПРЕДОСТЕРЕЖЕНИЕ!

Опасность взрыва – Не пользоваться горючими жидкостями.

### ⚠ **ВНИМАНИЕ!** ПРЕДОСТЕРЕЖЕНИЕ!

Запрещено пользоваться высоконапорными минимойками детям или не проинструктированным людям.

### ⚠ **ВНИМАНИЕ!** ПРЕДОСТЕРЕЖЕНИЕ!

Высоконапорные шланги, арматура и муфты являются важными частями безопасности устройства. Нужно пользоваться только шлангами, арматурой и муфтами, рекомендованными производителем.

### ⚠ **ВНИМАНИЕ!** ПРЕДОСТЕРЕЖЕНИЕ!

Чтобы была обеспечена безопасность устройства, нужно пользоваться только оригинальными запасными частями от производителя или деталями, утвержденными производителем.

### ⚠ **ВНИМАНИЕ!** ПРЕДОСТЕРЕЖЕНИЕ!

Устройство должно быть отсоединено от источника питания при чистке или обслуживании и при замене детали или переключении на другую функцию, у устройств, запитанных от сети, отсоединением (извлечением) штепселя из розетки;

### ⚠ **ВНИМАНИЕ!** ПРЕДОСТЕРЕЖЕНИЕ!

Не пользоваться устройством, если питающий кабель или важные части устройства, напр. защитное устройство, высоконапорные шланги, пусковое устройство повреждены.

**⚠ ВНИМАНИЕ! ПРЕДОСТЕРЕЖЕНИЕ!**

Несоответствующие удлинители могут быть опасными. Если применяется удлинитель, штепсель и розетка должны быть в водонепроницаемом исполнении, а соединение должно поддерживаться в сухом состоянии и без контакта с землей. Рекомендуется, чтобы это было выполнено при помощи катушки с кабелем, которая удерживает розетку минимум в 60 мм над землей.

**⚠ ВНИМАНИЕ! ПРЕДОСТЕРЕЖЕНИЕ!**

Всегда выключайте главный выключатель, если Вы оставляете устройство без надзора.

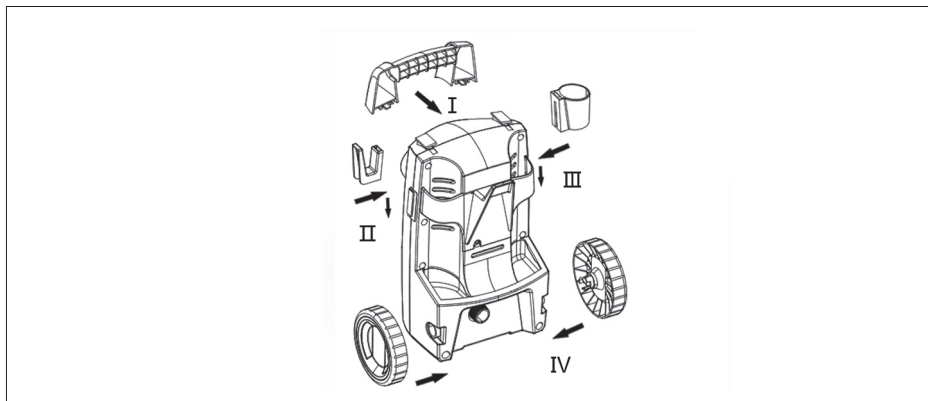
- ✿ Изделие аккуратно распакуйте и следите за тем, чтобы не выбросить никакую часть упаковочного материала, прежде чем Вы не найдете все части изделия.
- ✿ Это изделие не предназначено для людей (включая детей) со сниженными физическими, душевными или ментальными способностями или для людей с ограниченным опытом и знаниями, если над ними нет профессионального надзора или не произведен инструктаж, включающий пользование этим изделием людьми, ответственными за их безопасность.
- ✿ Никогда не используйте принадлежности, которые не поставляются с этим изделием, или не предназначены для него.
- ✿ Ни в коем случае не ремонтируйте изделие сами и не производите на нем никаких изменений - опасность поражения электрическим током! Любой ремонт и регулировку этого изделия поручите специализированной фирме/сервису. При вмешательстве в изделие во время действия гарантии Вы рискуете лишиться гарантии на изделие.
- ✿ Никогда не используйте изделие, если у Вас мокрые руки или ноги.
- ✿ Изделие используйте и храните в недоступности горючих и летучих веществ.
- ✿ Не подвергайте изделие воздействию экстремальных температур, прямого солнечного излучения, чрезмерной влажности и не оставляйте его в слишком пыльной среде.
- ✿ Не оставляйте изделие вблизи нагревательных элементов, открытого огня и иных потребителей или устройств, являющихся источниками тепла.
- ✿ Не используйте изделие для иных целей, чем для которых оно предназначено.
- ✿ Перед подключением изделия к сетевой розетке убедитесь, что напряжение, указанное на табличке изделия, соответствует напряжению в вашей розетке.
- ✿ Не кладите сетевой кабель поблизости от горячих поверхностей или на кромки острых предметов. На сетевой кабель не кладите тяжелые предметы, кабель располагайте так, чтобы на него не наступали, и чтобы о него не заминались. Следите за тем, чтобы сетевой кабель не прикасался к горячим поверхностям.
- ✿ Если сетевой кабель изделия поврежден, поручите его замену профессиональному сервису или такому же квалифицированному лицу, чтобы предотвратить возникновение опасных ситуаций. Изделие с поврежденным сетевым кабелем или штепселем сетевого кабеля использовать запрещено.

- ✿ Не вынимайте штепсель из электрической розетки держа за кабель.
- ✿ Не брызгайте на изделие водой или иной жидкостью. Не наливайте в изделие воду или иные жидкости. Не погружайте изделие в воду или иные жидкости.
- ✿ Никогда не пользуйтесь изделием вблизи ванны, умывальника или иных емкостей, наполненных водой.
- ✿ Если Вы в настоящий момент не пользуетесь изделием или не будете им пользоваться, выключите его и выньте штепсель из электрической розетки. Перед чисткой поступайте так же.
- ✿ Никогда не оставляйте работающее изделие без надзора.
- ✿ Перед каждой укладкой дайте изделию остыть.
- ✿ Если изделие будет использоваться поблизости от детей, соблюдайте повышенную осторожность. Всегда располагайте изделие вне их досягаемости. Дети должны быть под надзором, чтобы они не играли с изделием.
- ✿ Подключение электроэнергии должно быть выполнено квалифицированным электриком, рекомендуется, чтобы подключение электроэнергии было оснащено либо устройством защитного отключения с пределом срабатывания 30 мА/30 мс, либо устройством, следящим за контуром заземления, (о возможностях установки спрашивайте у своего электрика).
- ✿ Если сильно тянуть за сетевой кабель, можно вызвать его повреждение.
- ✿ Чтобы избежать повреждения шланга, не наступайте на него и не перегибайте его с усилием. Не пользуйтесь изделием с переломанным или иначе поврежденным шлангом.
- ✿ Не переезжайте сетевой кабель изделием.
- ✿ Это изделие оснащено тепловым предохранителем – если произойдет перегревание двигателя или насоса, тепловой предохранитель устройство выключит. Как только двигатель или насос остынет, изделие можно снова включить. **ПРЕДУПРЕЖДЕНИЕ!** Чтобы предотвратить опасность, возникающую под влиянием неожиданного сброса теплового предохранителя, также запрещено это устройство подключать через внешнее устройство включения, как например таймер, или запрещено подключать к контуру, характеристикой которого является регулярное включение и выключение.
- ✿ Высоконапорная струя при неправильном применении может быть опасной. Запрещено направлять струю на других людей, на себя, животных, электрооборудование или на минимойку.
- ✿ Никогда не прикладывайте пистолет или наконечник к глазам или ушам.
- ✿ Если необходимо использовать удлинительный сетевой кабель, этот кабель должен иметь водонепроницаемую конструкцию.
- ✿ Изготовитель не несет ответственности за ущерб, возникший в результате неправильного применения устройства и его принадлежностей (ранения, ожоги, ошпаривание, пожар, порча пищевых продуктов и т.д.)

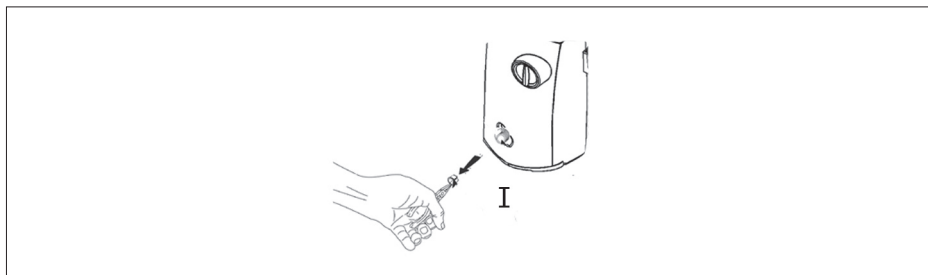


## 5. УКАЗАНИЯ ПО МОНТАЖУ

- ✿ Найдите и выньте из коробки все отдельные части.
- ✿ Защелкните



- ✿ Снимите и утилизируйте транспортную заглушку с выходного отверстия в передней части устройства.



### РАБОЧИЕ ОРГАНЫ ВЫСОКОНАПОРНОЙ МИНИМОЙКИ КАК ПОЛЬЗОВАТЬСЯ ВАРИАБЕЛЬНОЙ РАСПЫЛИТЕЛЬНОЙ НАСАДКОЙ

#### ⚠ ВНИМАНИЕ! ПРЕДОСТЕРЕЖЕНИЕ!

Мощная водяная струя из Вашей высоконапорной минимойки может повредить такие поверхности, как напр. дерево, стекло, лак на кузове автомобиля, автомобильные аксессуары и панели, а также чувствительные предметы, как напр. цветы и кусты.

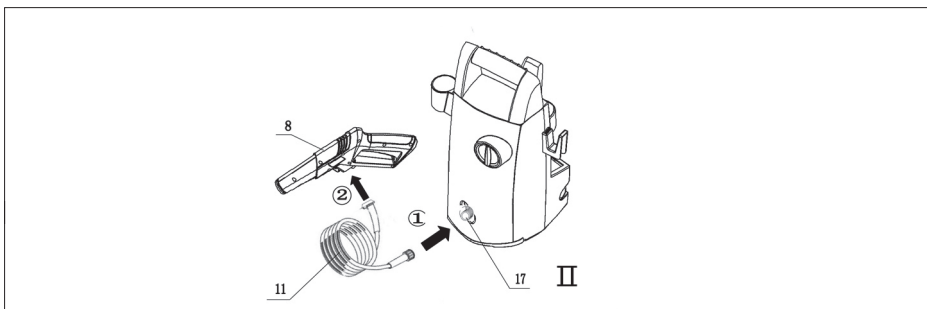
Перед распылением убедитесь, что предмет, который Вы хотите чистить, достаточно устойчив к повреждению от силы водяной струи. Регулировка водяной струи на 0° нитяную струю очень агрессивна. Угол водяной струи 20° рекомендуется для большинства задач чистки, чтобы не произошло повреждения очищаемой поверхности.

**Примечание:** Напор водяной струи на поверхность, которую Вы чистите, повышается с приближением насадки к очищаемой поверхности.

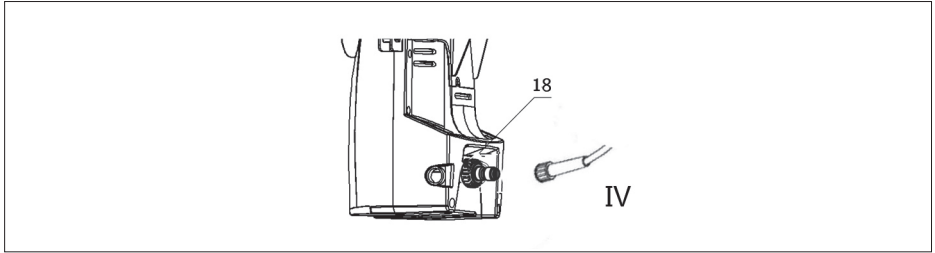
Регулировка с высоким давлением предназначена для мытья и ополаскивания. Если Вы хотите работать с высоким давлением, форсунку переменного распылительной насадки притяните назад.

## 6. ЗАПУСК

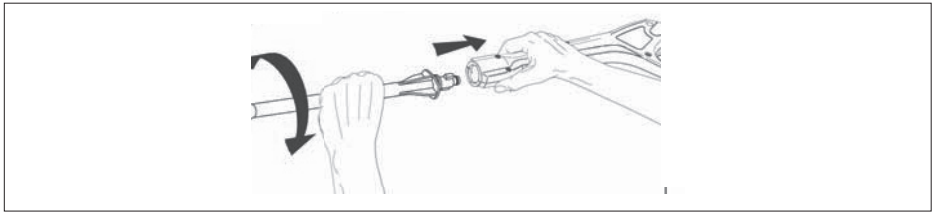
- ⚠ **ВНИМАНИЕ!** Опасность получения травмы водяной струей. Если пистолет не используется, всегда активируйте предохранитель. В противном случае может произойти случайный пуск водяной струи.
- ⚠ **ВНИМАНИЕ!** Опасность получения травмы. Не направляйте выходящую струю воды на себя или на других.
- ⚠ **ВНИМАНИЕ!** Риск опасности при работе. Стойте на стабильной поверхности и держите пистолет / распылительную насадку прочно обеими руками.
- ✳ Присоедините высоконапорный шланг к выходному отверстию устройства. Следите, чтобы резьба была правильно завинчена, и чтобы соединение было безопасным.



- ✳ Присоедините садовый шланг (не входит в комплект поставки) к месту подключения на задней стороне устройства. Перед подсоединением промойте садовый шланг водой, чтобы очистить его от каких-либо посторонних предметов.

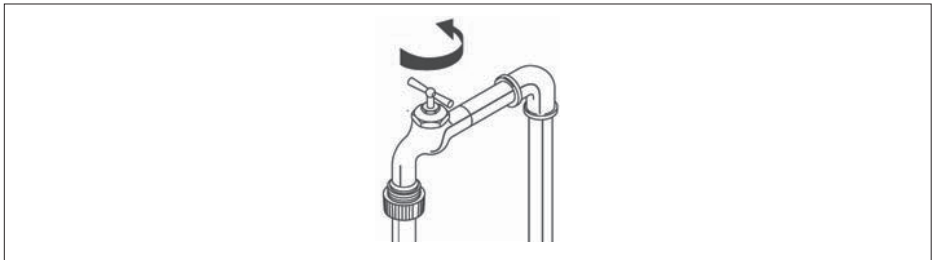


- ✿ Вставьте распылительную насадку в пистолет так, что будете нажимать на нее и одновременно поворачивать ее против часовой стрелки на 1/4, пока не произойдет ее фиксация.



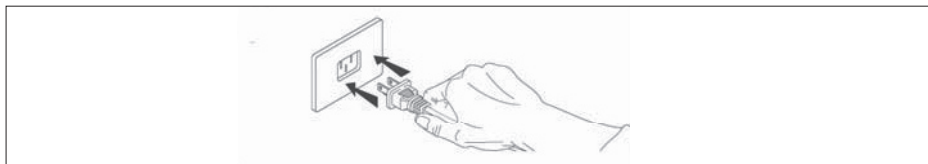
**⚠ ВНИМАНИЕ!** Если насадка надежно не зафиксирована, то во время работы в результате высокого давления она может вылететь и нанести травму или ущерб.

- ✿ Включите подачу воды и полностью откройте кран для обеспечения максимального потока воды в устройство.

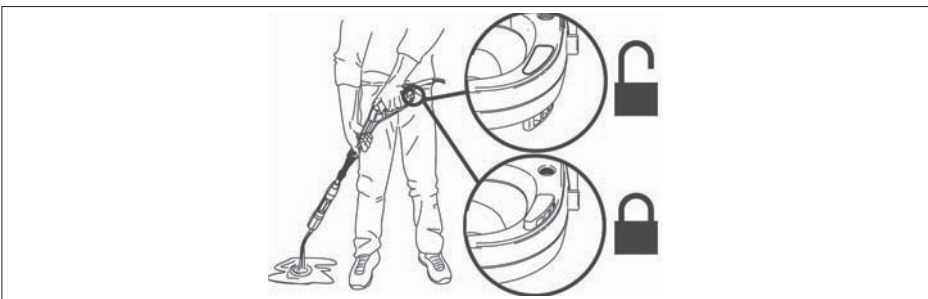


- ✿ Присоедините устройство к подходящей электрической розетке.

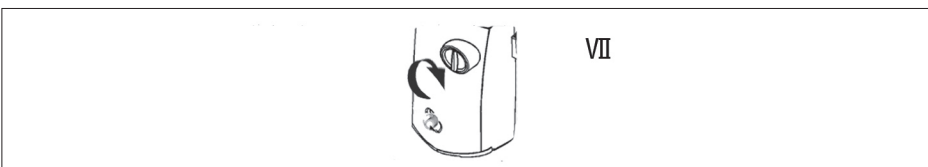
**📖 Примечание:** Источником питания должен быть выделенный контур 230 В, 50 Гц и минимально 15 ампер.



- ☼ Убедитесь, что разблокирован предохранитель пистолета и нажмите на спуск, пока не выйдет воздух и из форсунки не начнет выходить равномерная струя воды под низким давлением.



- ☼ Поверните выключатель в положение ВКЛЮЧЕНО. Обратите внимание, что двигатель на краткое время включится, а потом остановится.



- ☼ Нажмите спуск для запуска двигателя и начните выполнять высоконапорное мытье.

📖 **Примечание:** Двигатель работает только тогда, когда нажат спуск и брызгает вода.

## ВЫКЛЮЧЕНИЕ

Информация о порядке действий правильного выключения и укладки устройства приведена в части Хранение настоящей инструкции.

## 7. ХРАНЕНИЕ

**⚠ ВНИМАНИЕ!** Перед переноской устройства всегда отсоединяйте садовый шланг при помощи муфты садового шланга.

**⚠ ВНИМАНИЕ!** Высоконапорную минимойку храните всегда на месте, где температура не опускается ниже 4°C. Насос этого устройства в случае замерзания будет необратимо поврежден. ГАРАНТИЯ НЕ РАСПРОСТРАНЯЕТСЯ НА ПОВРЕЖДЕНИЯ, ВОЗНИКШИЕ В РЕЗУЛЬТАТЕ ЗАМЕРЗАНИЯ.

### Указания при окончании использования и хранении зимой

\* После окончания использования чистящего средства тщательно промойте всасывающую трубку и форсунку чистящего устройства так, что вложите всасывающую трубку в емкость с чистой водой и дайте форсунке чистящего устройства поработать при максимальном протоке в течение 30 секунд. При этом произойдет вымывание всех остатков чистящего средства из всасывающей трубки и форсунки.

**📖 Примечание:** Neprovedete-li důkladné vyčištění, může dojít k ucpaní trysky čisticího prostředku a tato se může stát nefunkční.

\* **ВЫКЛЮЧИТЕ** устройство и нажмите на спуск с целью стравливания остаточного давления внутри устройства.

\* Снимите с устройства садовый шланг и высоконапорный шланг.

\* Снимите насадку с пистолета.

\* **ВКЛЮЧИТЕ** устройство и дайте ему поработать в течение 5 секунд. (При этом произойдет слив большинства воды, оставшейся в насосе).


\* Отсоедините устройство от подачи электроэнергии.


\* Смотайте высоконапорный шланг и питающий кабель на крючок шланга/кабеля согласно рисунку.

\* Уложите устройство и принадлежности в сухом, кондиционированном месте. Не храните устройство или принадлежности в месте, где температура может опуститься ниже 4°C.



## 8. РУКОВОДСТВО ПО УСТРАНЕНИЮ ПРОБЛЕМ

РАБОЧАЯ ПРОБЛЕМА	ВОЗМОЖНАЯ ПРИЧИНА	РЕШЕНИЕ
Не дозируется чистящее средство	Чистящее средство не утверждено для данной высоконапорной минимойки	Используйте только чистящие средства, обезжириватель, воск и иные чистящие растворы, предназначенные специально для высоконапорной минимойки. У минимоек в этой категории на табличке ясно указано, что они не предназначены для применения в высоконапорных минимойках. НЕ ИСПОЛЬЗУЙТЕ в вашей высоконапорной минимойке никакие иные типы чистящего раствора. Никогда не используйте в вашем устройстве отбеливающие средства, щелочь или какие-либо виды кислот!
	Произошло отключение, захлабывание или перекручивание всасывающей трубки	Следите, чтобы всасывающая трубка не была повреждена, и чтобы она была хорошо присоединена к форсунке чистящего устройства. По необходимости отсоедините трубку, прочистите и снова присоедините.
	Форсунка чистящего средства занесена загрязнениями	Прочистите форсунку в соответствии с указаниями в разделе Форсунка в части Обслуживание настоящей инструкции.
Соотношение чистящего средства и воды		Высоконапорная минимойка забирает чистящее средство максимально в соотношении 10:1 воды и чистящего средства. Большинство чистящих средств для высоконапорной минимойки имеет концентрацию в этом интервале, так что не нужно производить сложную регулировку измерительного клапана форсунки чистящего средства. Если Вам кажется, что расходуется больше чистящего средства, чем нужно для данного применения, можно развести чистящее средство чистой водой из водопровода.

Произошло срабатывание предохранительного выключателя или перегорание предохранителя в коробке предохранителей	Поврежденный электрический контур	Проверьте, рассчитан ли электрический контур на значение 15 ампер или выше. Следите, чтобы к тому же контуру не были подключены никакие иные потребители (выделенный контур).
	Слишком длинный удлинительный кабель или слишком малое сечение провода	Не рекомендуем применение удлинительного кабеля у вашей высоконапорной минимойки. Если Вам все-таки необходимо воспользоваться удлинительным кабелем, проверьте, отвечает ли он минимальным требованиям, указанным в разделе Удлинительный кабель в части Информация об источнике питания и электрической части в настоящей инструкции.
Утечка воды из распылительного пистолета, насадки или высоконапорного шланга	Неправильно присоединенные принадлежности	Проверьте, все ли части (пистолет, насадка, высоконапорный шланг) правильно присоединенные в соответствии с указаниями, приведенными в настоящей инструкции.
Низкий / нестабильный напор или не происходит остановка двигателя при отпускании спуска распылительного пистолета  <b>Примечание:</b> Высоконапорная минимойка НЕ ПОЛУЧАЕТ полный объем подаваемой воды. Устройство требует источника высоконапорной воды производительностью хотя бы 20 psi при протоке примерно 76 л в минуту.	Водяной кран открыт неполностью	Проверьте, максимально ли открыт кран источника подаваемой воды.
	Садовый шланг слишком длинный или перекручен / сужен	Воспользуйтесь максимальной длиной садового шланга 15,2 м (вода из городского водопровода) или 7,5 м (вода из колодца). Следите, чтобы садовый шланг был положен ровно, и чтобы на нем не было никаких петель, или чтобы не было утечек воды из него. Садовый шланг по необходимости отмотайте с катушки или с крючка. В случае необходимости шланг замените.
	Входной водяной фильтр засорен	Замените сетку фильтра (O) с подачи воды (M) и тщательно ее вычистите. Замените сетку фильтра.
	Слишком длинный удлинительный кабель или слишком малое сечение провода	Не рекомендуем применение удлинительного кабеля у вашей высоконапорной минимойки. Если Вам все-таки необходимо воспользоваться удлинительным кабелем, проверьте, отвечает ли он минимальным требованиям, указанным в разделе Удлинительный кабель в части Информация об источнике питания и электрической части в настоящей инструкции.

Из форсунки не выходит вода	Форсунка засорена	Прочистите форсунку в соответствии с указаниями, приведенными в разделе Форсунка в части Обслуживание настоящей инструкции.
	Входной водяной фильтр засорен	Замените сетку фильтра (O) с подачи воды (M) и тщательно ее вычистите. Замените сетку фильтра.
	Петля на садовом шланге или шланг намотан на катушку	Воспользуйтесь максимальной длиной садового шланга 15,2 м (вода из городского водопровода) или 7,5 м (вода из колодца). Следите, чтобы садовый шланг был положен ровно, и чтобы на нем не было никаких петель, или чтобы не было утечек воды из него. Садовый шланг по необходимости отмотайте с катушки или с крючка. В случае необходимости шланг замените.
НЕ НАЖИМАЕТСЯ спуск распылительного пистолета	Активирован предохранитель пистолета	Разблокируйте предохранитель в соответствии с указаниями в разделе Запуск в части Обслуживание настоящей инструкции.
Устройство не запускается  <b>Примечание:</b> Устройство запускается и работает только тогда, когда нажат спуск и брызгает вода!	Устройство не ВКЛЮЧЕНО	Проверьте, находится ли выключатель ВКЛЮЧЕНО/ВЫКЛЮЧЕНО в положении ВКЛЮЧЕНО.



<p>Во время нормальной работы происходит остановка двигателя</p> <p> <b>Примечание:</b> Происходит срабатывание теплового предохранителя двигателя, так как возник перегрев двигателя</p> <p>Дайте двигателю 20 минут остыть, после чего произойдет автоматическое включение автоматического выключателя</p>	<p>Слишком длинный удлинительный кабель или слишком малое сечение провода</p>	<p>Не рекомендуем применение удлинительного кабеля у вашей высоконапорной минимойки. Если Вам все-таки необходимо воспользоваться удлинительным кабелем, проверьте, отвечает ли он минимальным требованиям, указанным в разделе Удлинительный кабель в части Информация об источнике питания и электрической части в настоящей инструкции.</p>
<p>Подсоединение и отсоединение распылительной насадки</p> <p> <b>Примечание:</b> Учитывая высокое давление, генерируемое вашей высоконапорной минимойкой, насадка должна плотно прилегать к пистолету. В результате стандартной эксплуатации может быть тяжело установить или снять насадку, и эта задача может требовать приложения значительной силы.</p>	<p>Неисправный распылительный пистолет</p>	<p>Прочистите форсунку в соответствии с указаниями, приведенными в разделе Форсунка в части Обслуживание настоящей инструкции.</p> <p><b>Если Вы хотите установить насадку</b> - приложите к насадке равномерное усилие в направлении вниз (в направлении спуска) и поворачивайте при этом насадку на 90° против часовой стрелки. Может помочь, если пистолет положить на ровную поверхность так, чтобы насадка была направлена вверх. Два язычка на конце насадки должны быть полностью вложены в пистолет, в результате чего произойдет поворачивание насадки и ее фиксация. Если это не работает, выньте с конца насадки байонетное уплотнительное кольцо и установите насадку на пистолет без этого кольца. Если насадку можно установить на пистолет без кольца, необходимо заменить кольцо.</p>
		<p><b>Если Вы хотите снять насадку</b> - стравите из пистолета/ шланга все оставшееся давление тем, что устройство ВЫКЛЮЧИТЕ и нажмете на спуск пистолета. Приложите к насадке равномерное усилие в направлении вниз (в направлении спуска) поворачивайте при этом насадку на 90° в направлении по часовой стрелке. Может помочь, если пистолет положить на ровную поверхность так, чтобы насадка была направлена вверх.</p>

## 9. ТЕХНИЧЕСКИЕ ДАННЫЕ

Номинальное напряжение	230 В
Номинальная частота	50 Гц
Номинальная мощность	1200 Вт
Номинальное давление	6 МПа
Максимальное давление	9 МПа
Номинальный проток	5,5 Л/мин.
Максимальный проток..... 7,5/ мин.	7,5 Л/мин.
Макс. температура подачи воды	40°C
Длина шланга	3 м.
Рабочая досягаемость	8 м.
Уровень защиты	II.
Длина сетевого кабеля	5 м.
Размеры (ширина x глубина x высота)	265 x 260 x 430 мм.
Вес без установленных принадлежностей	5,7 кг.
Вес с установленными принадлежностями	6,5 кг.
Максимальный входной напор воды в паскалях	0,69 МПа
Минимальный входной напор воды в паскалях, если это необходимо для исправной работы потребителя	0,14 МПа
Уровень акустического давления (L <sub>pa</sub> )	85 дБ
Уровень акустической мощности, измеренный (L <sub>wa</sub> )	97 дБ

Вибрации: Ah=0,5 ms<sup>2</sup>, K=1,5 ms<sup>2</sup>

Это устройство предназначено для эксплуатации в сети электрического тока с полным сопротивлением системы Z макс. в месте подсоединения (домашнее подключение) до значения максимально 0,277 Ом. Пользователь должен обеспечить, чтобы устройство было эксплуатировано только с подключением к сети электрического тока, которая отвечает этому требованию. Если это необходимо, то по вопросу выяснения полного сопротивления можно обратиться в местное энергетическое предприятие.

Возможно изменение текста и технических параметров.

Инструкция по эксплуатации - только языковая версия.

# 10. СЕРТИФИКАТ СООТВЕТСТВИЯ

**Изделие / марка:** Высоконапорная минимойка / FIELDMANN

**Тип / модель:** FDW 2004-E, FDW 201201-E ..... 230 В/50 Гц /1 200 Вт

**Изделие соответствует нижеприведенным нормам:**

- ✿ Директива Европейского парламента и Совета 2014/35/EU о оборудовании, предназначенного для применения в определенных пределах напряжения.
- ✿ Директива Европейского парламента и Совета 2014/30/EU о приближении прав овых норм стран-членов, касающихся электромагнитной совместимости и об о тмене директивы 89/336/EHS.
- ✿ Директива Европейского парламента и Совета 2006/42/ES от 17 мая 2006 г. о машинном оборудовании и об изменении директивы 95/16/ES.
- ✿ Директива Европейского парламента и Совета 2011/65/EU от 27 января 2003 г. об ограничении применения некоторых опасных веществ в электрических и электронных устройствах.
- ✿ Директива Европейского парламента и Совета 2005/88/ES.

**и нормы:**

- ✿ EN 55014-1: 2006 + A1: 2009 + A2: 2011
- ✿ EN 55014-2: 1997 + A1: 2001 + A2: 2008
- ✿ EN 61000-3-2: 2006 + A1: 2009 + A2: 2009
- ✿ EN 61000-3-3: 2013
- ✿ EN 60335-1: 2012
- ✿ EN 60335-2-79: 2012
- ✿ EN 62233: 2008

**Маркировка CE:** ..... 16

Компания АО «FAST ČR, a.s.» уполномочена выступать от имени производителя.

**Производитель:**

АО «FAST ČR, a.s.»

Černokostelecká 2111, 100 00 Praha 10, Чешская Республика

ИНН: CZ26726548

В Праге, 17. 11. 2016 г.

Имя, фамилия: Зденек Пех

Председатель совета директоров

**FAST**® FAST ČR, a.s.  
 Černokostelecká 1621, 251 01 Fichany  
 IČO: 26726548 tel.: +420/ 323 204 111  
 DIČ: CZ26726548 fax: +420/ 323 204 110



Подпись и печати:

# 11. УТИЛИЗАЦИЯ

## УКАЗАНИЯ И ИНФОРМАЦИЯ ОБ ОБРАЩЕНИИ С БЫВШЕЙ В УПОТРЕБЛЕНИИ УПАКОВКОЙ

Бывший в употреблении упаковочный материал доставьте на место, предназначенное городской администрацией для сбора отходов.

## УТИЛИЗАЦИЯ БЫВШЕГО В УПОТРЕБЛЕНИИ ЭЛЕКТРИЧЕСКОГО И ЭЛЕКТРОННОГО ОБОРУДОВАНИЯ



Этот символ на изделиях или в сопроводительной документации означает, что бывшие в употреблении электрические и электронные изделия не должны выбрасываться в обычные коммунальные отходы. Для правильной утилизации, обновления и переработки сдайте изделия в установленные пункты приема. Альтернативно в некоторых странах Европейского Союза или иных европейских странах можно вернуть свои изделия местному продавцу при покупке эквивалентного нового изделия. Правильной утилизацией этого изделия Вы помогаете сохранению ценных природных ресурсов и помогаете профилактике потенциального негативного влияния на окружающую среду и здоровье человека. Дальнейшие подробности запрашивайте у местной администрации или в ближайшем пункте приема. При неправильной утилизации этого вида отходов в соответствии с государственными предписаниями могут быть наложены штрафы.

### Для предприятий в странах Европейского Союза

Если Вы хотите утилизировать электрические и электронные изделия, требуйте необходимую информацию у своего продавца или поставщика

### Утилизация в остальных странах за пределами Европейского Союза

Этот символ действует в Европейском Союзе. Если Вы хотите утилизировать это изделие, запрашивайте необходимую информацию о правильном способе утилизации в местной администрации или у своего продавца.



Это изделие отвечает всем основным требованиям норм EC EU, которые на него распространяются.

Изменения в тексте, дизайне и технологической спецификации могут быть проведены без предварительного предупреждения. Изготовитель оставляет за собой право на их изменение.



