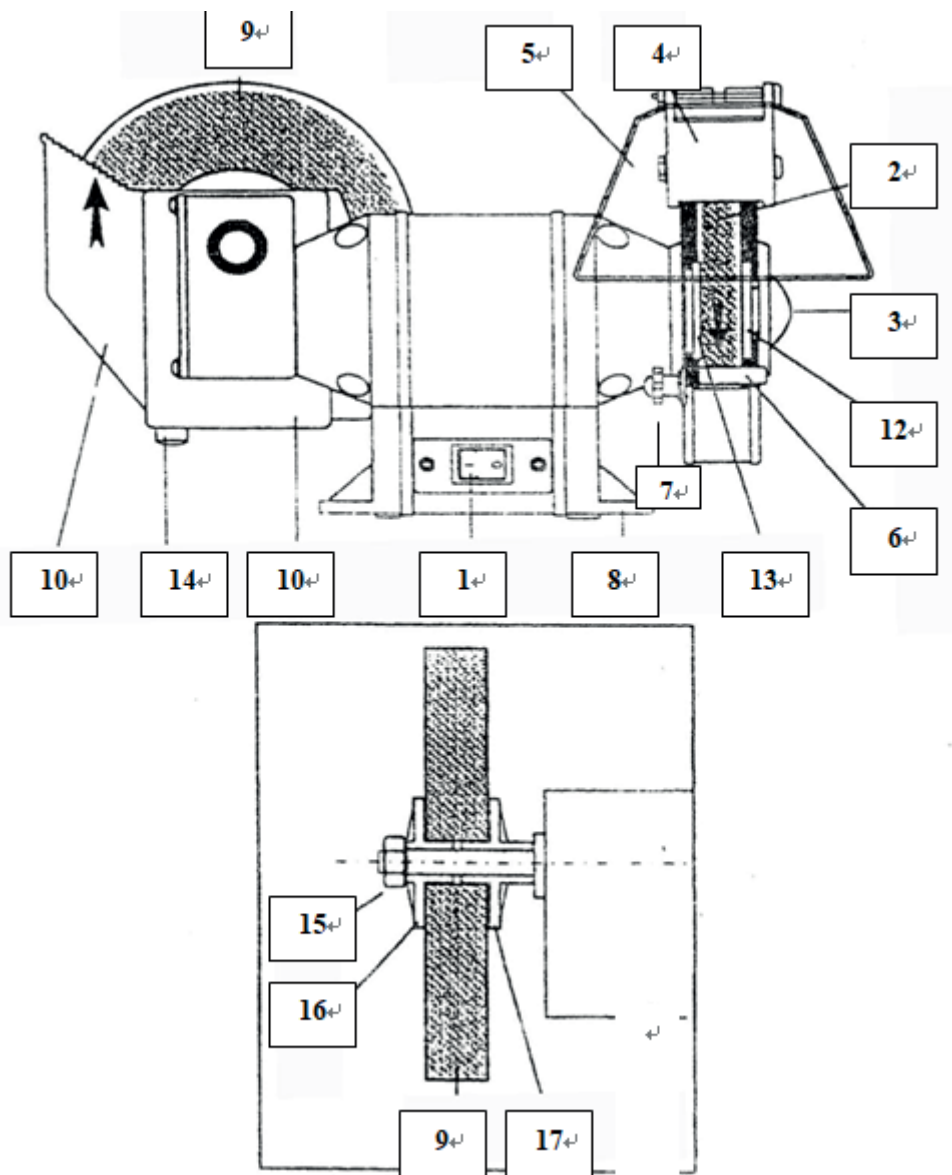
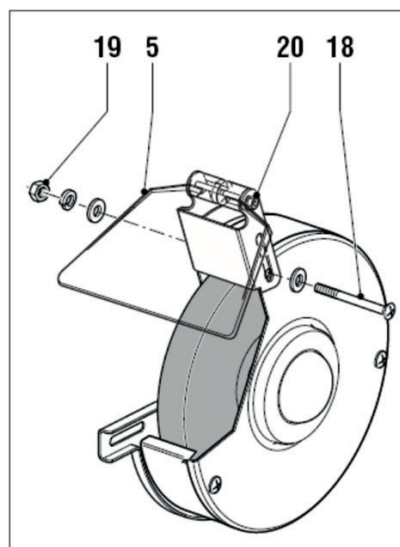
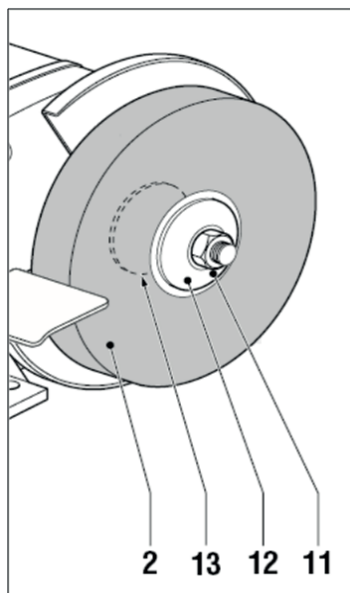
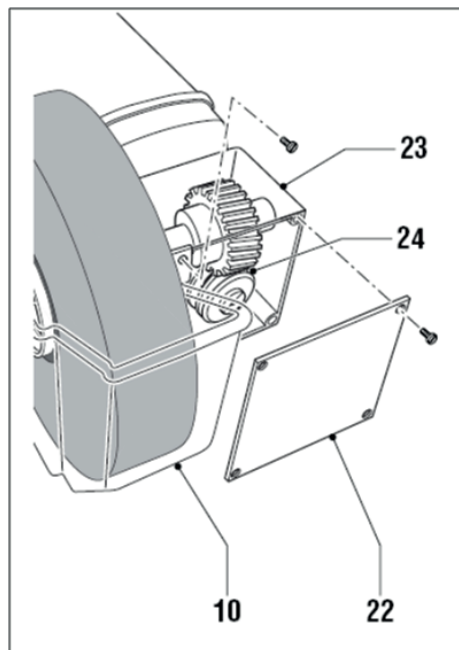
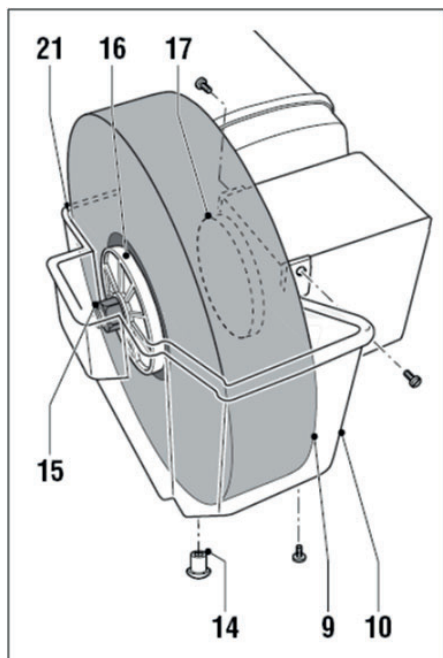


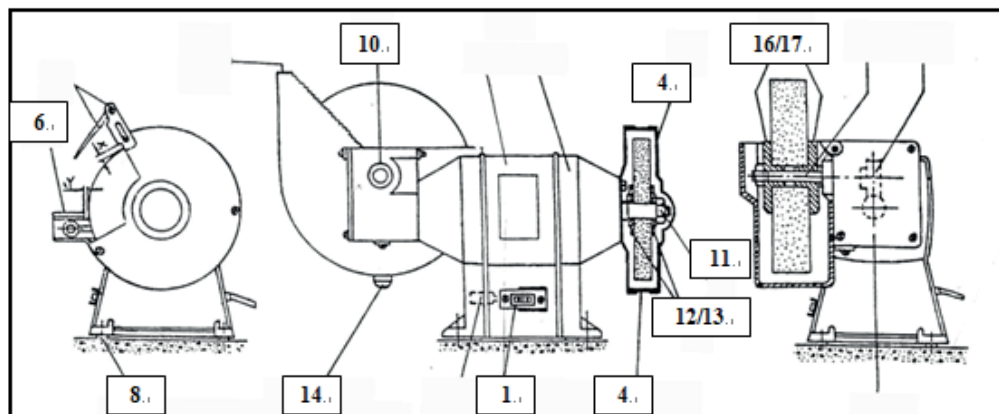


FDSB 200251-E

English	7
Čeština	21
Slovenčina	35
Magyarul	49
Polski	63







Dry and wet grinder

INSTRUCTION MANUAL

Thank you for your purchase of the dry and wet grinder. For your personal safety, read and understand the Instruction Manual before using. Keep the Instruction Manual in a safe place for future reference.

CONTENTS

1. GENERAL SAFETY INSTRUCTIONS	8
2. SYMBOLS	13
3. GENERAL DESCRIPTION	14
4. TECHNICAL SPECIFICATIONS	18
5. DISPOSAL	20

1. GENERAL SAFETY INSTRUCTIONS

⚠ WARNING! Carefully read the instruction manual before use.

Important safety warnings

- ✿ Unpack the product carefully and be sure not to throw away any part of the package before having found all components of the product.
- ✿ Keep the product in a dry place out of reach of children.
- ✿ Read all cautions and instructions. The failure to adhere to warning cautions and instructions may result in an accident, fire and/or a serious injury.

Packaging

The product is placed in a package preventing damage during transport. This package is a raw material therefore it can be handed-over for recycling.

Instructions for use

Before beginning to work with the machine, read the following safety rules and instructions for use. Familiarize with operating elements and the proper use of the device. Keep the manual in a safe place for future reference. We recommend keeping the original package including the inner packaging materials, cash voucher and guarantee card for a period of warranty at minimum. For a case of transportation, pack the machine into the original box from the manufacturer, thus ensuring a maximum protection of the product during a possible transport (e.g. moving or sending into a service station)..



Note: If you hand the machine over to next persons, hand it over together with the manual. Adherence to the attached instructions for use is a precondition for the proper use of the machine. The operation manual includes also instructions for operation, maintenance and repairs.

The manufacturer does not take any responsibility for accidents or damages resulting from the failure to adhere to this manual.

Carefully read, remember and keep these safety instructions

⚠ WARNING! In the use of electric machines and power tools, it is necessary to respect and follow the following safety instructions for the reasons of protection against electric shock, personal injury and danger of fire. The term "power tool" in the instructions below refers both to mains-operated (corded) power tool or battery-operated (cordless) power tool. Save all warnings and instructions for future reference.

Workplace

- ✿ Keep the work area clean and well lit. Cluttered or dark areas in the workplace invite accidents. Store power tools that you don't currently use.
- ✿ Do not operate power tools in environments with danger of occurrence of a fire or explosion, such as in the presence of flammable liquids, gases, or dust. Power tools create sparks which may ignite the dust or fumes.
- ✿ Keep unauthorised persons, especially children, away from the work area while operating a power tool! Distractions can cause you to lose control over the performed activity. In no event leave your power tool unattended. Keep the equipment away from animals.

Electrical Safety

- ✿ Power tool plugs must match the mains socket outlet. Never modify the plug in any way. Do not use any adapter plugs with earthed (grounded) power tools. Undamaged plugs and matching outlets will reduce risk of electric shock. Damaged or fouled supply cables increase the risk of electric shock. If the power cord is damaged, it must be replaced by a new power cord which is available at the authorised service centre or the importer.
- ✿ Avoid body contact with earthed or grounded surfaces such as pipes, radiators, cooking ranges and refrigerators. There is an increased risk of electric shock if your body is earthed or grounded.
- ✿ Do not expose power tools to rain or wet conditions. Never touch the power tool with wet hands. Never wash the power tool under running water or immerse it in water.
- ✿ Never use the supply cable for other than intended purposes. Never use the cord for carrying or pulling the power tool. Never unplug the plug from the outlet by pulling the cable. Keep electric cables away from sharp or hot objects to prevent mechanical damage.
- ✿ The power tool was designed to be powered solely by alternating electric current. Always check if the electric voltage matches the information specified in the type label of the power tool.
- ✿ Never use power tool with damaged electric cable or plug or which has been dropped or is in any way damaged.

- ✿ If an extension cord is used, always check whether its technical parameters match the information specified in the type label of the power tool. When operating a power tool outdoors, use an extension cord suitable for outdoor use. If extension drums are used, these must be rolled out to prevent overheating of the cord.
- ✿ If a power tool is operated in a damp location or outdoors, its operation is only permitted if connected to an electric circuit protected by a residual current device <30 mA. Use of residual current device (RCD) reduces the risk of electric shock.
- ✿ Hold the power tool by insulated gripping surfaces only as the cutting or drilling tool may contact hidden wiring or its own power cord during operation.

Personal Safety

- ✿ Be careful, stay alert and watch what you are doing when operating a power tool. Concentrate on your work. Do not use a power tool while you are tired or under the influence of drugs, alcohol or medication. A moment of inattention while operating power tools may result in serious personal injury. Do not eat, drink and smoke while operating a power tool.
- ✿ Use personal protective equipment. Always wear eye protection. Use protective equipment corresponding to the type of work you are doing. Protective equipment such as dust mask, non-skid safety shoes, hard hat, or hearing protection used in accordance with the working conditions will reduce the risk of personal injury.
- ✿ Prevent unintentional starting. Do not carry the power tool while it is energised or with your finger on the switch or trigger. Ensure the switch or trigger is in the "off" position before connecting to power source. Carrying power tools with your finger on the switch or energising power tools that have the switch on may result in serious injuries.
- ✿ Remove any adjusting key or wrench before turning the power tool on. An adjusting wrench or a key left attached to a rotating part of the power tool may result in personal injury.
- ✿ Keep proper footing and balance at all times. Do not overreach. Never overestimate your own capabilities. Never use power tools while you are tired.
- ✿ Dress properly. Wear work clothes. Do not wear loose clothing or jewellery. Keep your hair, clothing, gloves and other part of your body away from moving or hot parts of the power tool.
- ✿ Connect the equipment to dust exhaustion. If the tools are provided for the connection of dust collection or exhaustion devices, ensure these are properly connected and used. Use of such devices can reduce dust-related hazards.
- ✿ Fix the work-piece tightly. Use a cabinet clamp or a cramp to fix the work-piece you are about to machine.
- ✿ Never use power tools if you are under the influence of alcohol, drugs, medication or other narcotic or addictive substances.
- ✿ This equipment is not intended for use by persons (including children) with limited physical, sensual or mental capacities or lack of experience or knowledge unless they are supervised or instructed about the use of the equipment by a person responsible for their safety. Children must be supervised to make sure they are not playing with the equipment.

Power Tool Use and Maintenance

- ✿ Always disconnect the power tool from the mains in case of any problem during the work, before cleaning the power tool or its maintenance, during each transportation and after the completion of the work! Never operate a power tool if it is damaged in any way.
- ✿ Immediately stop working if the power tool generates abnormal noise or smell.
- ✿ Do not overload the power tool. The power tool will operate better and safer if it is used at the rate for which it was designed. Use correct power tool which is intended for the given activity. The correct power tool will do the job it was designed for better and safer.
- ✿ Do not use the power tool if it cannot be safely turned on and off using the control switch. Use of such power tool is dangerous. Defective switches must be repaired by a certified service provider.
- ✿ Disconnect the tool from the power source before making any adjustments, changing accessories or maintenance. Such preventive safety measure prevents the risk of starting the power tool accidentally.
- ✿ Store idle power tools out of the reach of children and unauthorised persons. Power tools can be dangerous in the hands of untrained users. Store the power tools in a dry and safe place.
- ✿ Keep the power tool in good condition. Check the adjustment of moving parts and their mobility. Check for any damage to the protective guards or other parts which could affect safe operation of the power tool. If damaged, have the power tool properly repaired before further use. Many accidents are caused by poorly maintained power tools.
- ✿ Keep cutting tools sharp and clean. Properly maintained cutting tools with sharp cutting edges facilitate work, reduce the risk of injury and are easier to control. Use of accessories other than those specified in the instructions for use could result in damage to the power tool and cause injuries.
- ✿ Use the power tool, accessories and tool bits etc. in accordance with these instructions and in the manner intended for the particular type of power tool taking into account the working conditions and the work to be performed. Use of the power tool for purposes other than those the power tool was intended for could result in hazardous situations.

Service

- ✿ Do not replace parts of the power tool, do not make any repairs or interfere in any way with the construction of the power tool. Have your power tool repaired by qualified repair persons.
- ✿ Any repair or modification of the product without our company's authorisation is impermissible (it could cause injury or damage to the user).
- ✿ Always have your power tool repaired in a certified service centre. Use only original or recommended replacement parts. This will ensure that your safety and the safety of your power tool is maintained.

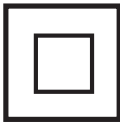
2. SYMBOLS



The product complies with the applicable standards and regulations.



Read the Instruction Manual attentively prior to use.



Double-insulated.



Use eyes protective equipment



Use ears protective equipment



Subjected to recycling



3. GENERAL DESCRIPTION

DESCRIPTION AND LOCATION OF MACHINE PARTS

1. On/off switch
2. Dry-grinding wheel
3. Wheel guard
4. Spark guard
5. Transparent screen
6. Workpiece support
7. Adjusting screw
8. Mounting hole
9. Wet-grinding wheel
10. Water reservoir

MOUNTING THE MACHINE

- ✿ The machine must be screwed to a workbench.
- ✿ Mark the position of the mounting holes (8) on the workbench.
- ✿ Drill holes at each of the marked positions, adjusting the diameter and depth of the holes to the screws used.
- ✿ Place the machine on the workbench and insert the screws into the mounting holes.
- ✿ Firmly tighten the screws.

REPLACING A GRINDING WHEEL

- ✿ To replace the dry grinding wheel, proceed as follows:
- ✿ Remove the wheel guard (3).
- ✿ Loosen the nut (11).
- ✿ Remove the outer flange (12) and the old grinding wheel (2).
- ✿ Clean the flanges (12 & 13).
- ✿ Place a new grinding wheel.
- ✿ Place the outer flange against the grinding wheel and place the nut onto the spindle.

- * Securely tighten the nut.
- * Replace the wheel guard.
- * To replace the wet grinding wheel, proceed as follows:
- * Remove the water reservoir (10).
- * Loosen the nut (15).
- * Remove the outer flange (16) and the old grinding wheel (9).
- * Clean the flanges (16 & 17).
- * Place a new grinding wheel.
- * Place the outer flange against the grinding wheel and place the nut onto the spindle.
- * Securely tighten the nut.
- * Replace the water reservoir.



Always unplug the tool before replacing a grinding wheel.
Never use a cracked grinding wheel.
Immediately replace a cracked grinding wheel.
A cracked grinding wheel may break into pieces when used and cause accidents.

MOUNTING AND ADJUSTING THE SPARK GUARD

- * The spark guard needs regular adjustment in order to compensate the wear of the grinding wheel.
- * Loosen the nut (19) and remove the screw (18).
- * Hold the spark guard (4) against the wheel guard (3) as shown.
- * Mount the spark guard (4) to the wheel guard (3) using the nut (19) and the screw (18).
- * Adjust the distance between the spark guard and the grinding wheel (2) to the smallest possible value, with a maximum of 2 mm.
- * Tighten the spark guard.
- * Slide the screen (5) to the front.
- * Tighten the nut (20).



The spark guard protects your eyes and hands from sparks flying from the workpiece.
Therefore, always use the spark guard.

ADJUSTING THE WORKPIECE SUPPORT

- ✿ The workpiece support needs regular adjustment in order to compensate the wear of the grinding wheel.
- ✿ Loosen the adjusting screw (7).
- ✿ Adjust the distance between the workpiece support (6) and the grinding wheel (2) to the smallest possible value, with a maximum of 2 mm.
- ✿ Tighten the adjusting screw.

INSTRUCTIONS FOR USE

- ✿ Before switching on the machine, check if all screws and nuts are tight and if the grinding wheel can rotate freely.
- ✿ Always grind on the front part of the grinding wheel. Never overcharge the machine, causing the grinding wheel to come to a halt.
- ✿ The machine is not intended for permanent use. Make sure that the machine is not overheated. After using the machine for 30 minutes, let it cool down to ambient temperature.

DRY GRINDING

- ✿ The dry-grinding wheel (2) is suitable for rough-grinding activities.
- ✿ Use a grinding wheel composed of soft stone for grinding hard metals.
- ✿ Use a grinding wheel composed of hard stone for grinding soft metals.
- ✿ Between times, regularly cool the tools to be grinded using a coolant.
- ✿ Regularly adjust the spark guard and workpiece support to compensate wear to the grinding wheel.

WET GRINDING

- ✿ The wet-grinding wheel (9) is suitable for fine-grinding activities. During use the grinding wheel should run in water.
- ✿ Check before use whether the drain cock (14) has been placed correctly, and fill the water reservoir (10) up until approx. 1 cm below the edge (21) with domestic water.
- ✿ During use regularly check the water level.
- ✿ Add water as required.
- ✿ After use remove the drain cock to empty the water reservoir.

SWITCHING ON AND OFF

- ✿ To switch the machine on, set the on/off switch (1) to 'I'.
- ✿ To switch the machine off, set the on/off switch (1) to 'O'.

4. TECHNICAL SPECIFICATIONS

Dry and wet grinder	
Nominal frequency and power	230V/50Hz
Input power:	250W S2 30Min
No load Speed:	2960/min
Acoustic pressure level:	80.7dB(A)
Dry grinding:	150*20*12.7 mm
Wet grinding	200*40*20 mm
Acoustic power level	91.7dB(A)
Insulation class	I
Weight	10.2kg

Instructions Manual - language version only.

Amendments to text and technical parameters are reserved.

Changes in the text, design and technical specifications may change without prior notice and we reserve the right to make these changes. keep it from turning as the drill bit rotates.

Troubleshooting

Suspected malfunctions are often due to causes the user can fix themselves. Therefore check the product using this section. In most cases the problem can be solved quickly.

WARNING!

Only perform the steps described within these instructions! All further inspection, maintenance and repair work must be performed by an authorized service centre or a similarly qualified specialist if you cannot solve the problem yourself!

Problem	Possible Cause	Solution
1. Product does not start	1.1 Not connected to power supply 1.2 Power cord or plug is defective 1.3 Other electrical defect to the product	1.1 Connect to power supply 1.2 Check by a specialist electrician 1.3 Check by a specialist electrician
2. Product does not reach full power	2.1 Extension cord is not suitable for operation with this product. 2.2 Power source (e.g. generator) has too low voltage 2.3 Air vents are blocked	2.1 Use a proper extension cord 2.2 Connect to another power source 2.3 Clean the air vents
3. Unsatisfactory result	3.1 Disk bit is dull/damaged 3.2 Disk bit is not suitable for work piece material	3.1 Replace with new one 3.2 Use proper drill bit
4. Excessive vibration or noise	4.1 Disk bit is dull/damaged 4.2 Bolts/nuts are loose	4.1 Replace with a new one 4.2 Tighten bolts/nuts

5. DISPOSAL

INSTRUCTIONS AND INFORMATION ON DISPOSAL OF USED PACKAGING

Put any used package material to the place determined by the municipality for waste disposal.

DISPOSAL OF USED ELECTRIC AND ELECTRONIC EQUIPMEN



This symbol on products or accompanying documents means that used electric or electronic products must not be put to ordinary municipal waste. Hand over such products to determined collection points for proper disposal, restoration and recycling. Alternatively, in some countries of the European Union or other European countries you can return your products to your local dealer when you buy an equivalent new product. By dutiful disposal of this product you can preserve precious natural resources and you help prevent any potential adverse effects on the environment and human health which could be the results of wrong waste disposal. Ask your local authority or the nearest collection point for additional details. In case of improper disposal of this waste kind penalties can be imposed in accordance with national regulations.

FOR COMPANIES IN THE EUROPEAN UNION COUNTRIES

Should you want to dispose of electric and electronic devices, ask your dealer or vendor for necessary information.

DISPOSAL IN OTHER COUNTRIES OUTSIDE THE EUROPEAN UNION

CE Should you want to dispose of this product, ask your local authorities or your dealer for necessary information about disposal method

This product fulfils all basic requirements of the EU directives that apply to it.

Text, design and technical specifications can change without prior notice and we reserve the right for their change.

Bruska na suché a mokré broušení

NÁVOD K OBSLUZE

Děkujeme vám, že jste si zakoupili tuto bruska na suché a mokré broušení. Než ji začnete používat, přečtěte si, prosím, pozorně tento návod k obsluze a uschovejte jej pro případ dalšího použití.

1. VŠEOBECNÉ BEZPEČNOSTNÍ PŘEDPISY	20
OBECNÉ BEZPEČNOSTNÍ POKYNY	21
2. SYMBOLY	25
3. OBECNÝ POPIS	26
4. TECHNICKÉ ÚDAJE	28
5. LIKVIDACE	30

1. VŠEOBECNÉ BEZPEČNOSTNÍ PŘEDPISY

⚠ POZOR! Před použitím si pečlivě přečtěte návod k použití.

Důležitá bezpečnostní upozornění

- ✿ Výrobek pečlivě vybalte a dejte pozor, abyste nevyhodili žádnou část obalového materiálu dříve, než najdete všechny součásti výrobku.
- ✿ Výrobek uchovávejte na suchém místě mimo dosah dětí.
- ✿ Čtěte všechna upozornění a pokyny. Zanedbání při dodržování varovných upozornění a pokynů mohou mít za následek úraz elektrickým proudem, požár a/nebo těžká poranění.

Obal

Výrobek je umístěn v obalu bránícím poškozením při transportu. Tento obal je surovinou a lze jej proto odevzdat k recyklaci.

Návod k použití

Než začnete se strojem pracovat, přečtěte si následující bezpečnostní předpisy a pokyny k používání. Seznamte se s obslužnými prvky a správným používáním zařízení. Návod pečlivě uschovejte pro případ pozdější potřeby. Minimálně po dobu záruky doporučujeme uschovat originální obal včetně vnitřního balicího materiálu, pokladní doklad a záruční list. V případě přepravy zabalte stroj zpět do originální krabice od výrobce, zajistíte si tak maximální ochranu výrobku při případném transportu (např. stěhování nebo odeslání do servisního místa).

📖 Poznámka: Předáváte-li stroj dalším osobám, předejte jej společně s návodem. Dodržování příloženého návodu k obsluze je předpokladem řádného používání stroje. Návod k obsluze obsahuje rovněž pokyny pro obsluhu, údržbu a opravy.

Výrobce nepřebírá odpovědnost za nehody nebo škody vzniklé následkem nedodržování tohoto návodu.

OBEČNÉ BEZPEČNOSTNÍ POKYNY

Tyto bezpečnostní pokyny si pečlivě prostudujte, zapamatujte a uschovejte

⚠ UPOZORNĚNÍ! Při používání elektrických strojů a elektrického nářadí je nutno respektovat a dodržovat následující bezpečnostní pokyny z důvodů ochrany před úrazem elektrickým proudem, zraněním osob a nebezpečím vzniku požáru. Výrazem „elektrické nářadí“ je ve všech níže uvedených pokynech myšleno jak elektrické nářadí napájené ze sítě (napájecím kabelem), tak nářadí napájené z baterií (bez napájecího kabelu). Uschovejte všechna varování a pokyny pro příští použití.

Pracovní prostředí

- ✿ Udržujte pracovní prostor v čistém stavu a dobře osvětlen. Nepořádek a tmavá místa na pracovišti bývají příčinou úrazů. Ukliděte nářadí, které právě nepoužíváte.
- ✿ Nepoužívejte elektrické nářadí v prostředí s nebezpečím vzniku požáru nebo výbuchu, to znamená v místech, kde se vyskytují hořlavé kapaliny, plyny nebo prach. V elektrickém nářadí vzniká na komutátoru jiskření, které může být příčinou vznícení prachu nebo výparů.
- ✿ Při používání el. nářadí zamezte přístupu nepovolaných osob, zejména dětí, do pracovního prostoru! Budete-li vyrušováni, můžete ztratit kontrolu nad prováděnou činností. V žádném případě nenechávejte el. nářadí bez dohledu. Zabraňte zvířatům přístup k zařízení.

Elektrická bezpečnost

- ✿ Vidlice napájecího kabelu elektrického nářadí musí odpovídat síťové zásuvce. Nikdy jakýmkoliv způsobem neupravujte vidlici. K nářadí, které má na vidlici napájecího kabelu ochranný kolík, nikdy nepoužívejte rozdvojky ani jiné adaptéry. Nepoškozené vidlice a odpovídající zásuvky omezí nebezpečí úrazu elektrickým proudem. Poškozené nebo zamotané napájecí kabely zvyšují nebezpečí úrazu elektrickým proudem. Pokud je síťový kabel poškozen, je nutno jej nahradit novým síťovým kabelem, který je možné získat v autorizovaném servisním středisku nebo u dovozce.
- ✿ Vyvarujte se dotyku těla s uzemněnými předměty, jako např. potrubí, tělesa ústředního topení, sporáky a chladničky. Nebezpečí úrazu elektrickým proudem je větší, je-li vaše tělo spojeno se zemí.
- ✿ Nevystavujte elektrické nářadí dešti, vlhku nebo mokru. Elektrického nářadí se nikdy nedotýkejte mokřýma rukama. Elektrické nářadí nikdy neumývejte pod tekoucí vodou ani ho neponořujte do vody.
- ✿ Nepoužívejte napájecí kabel k jinému účelu, než pro jaký je určen. Nikdy nenoste a netahejte elektrické nářadí za napájecí kabel. Nevytahujte vidlici ze zásuvky tahem za kabel. Zabraňte mechanickému poškození elektrických kabelů ostrými nebo horkými předměty.
- ✿ El. nářadí bylo vyrobeno výlučně pro napájení střídavým el. proudem. Vždy zkontrolujte, že elektrické napětí odpovídá údaji uvedenému na typovém štítku nářadí.

- ✿ Nikdy nepracujte s nářadím, které má poškozený el. kabel nebo vidlici, nebo spadlo na zem a je jakýmkoliv způsobem poškozené.
- ✿ V případě použití prodlužovacího kabelu vždy zkontrolujte, že jeho technické parametry odpovídají údajům uvedeným na typovém štítku nářadí. Je-li elektrické nářadí používáno venku, používejte prodlužovací kabel vhodný pro venkovní použití. Při použití prodlužovacích bubnů je nutné je rozvinout, aby nedocházelo k přehřátí kabelu.
- ✿ Je-li elektrické nářadí používáno ve vlhkých prostorech nebo venku, je povoleno jej používat pouze, pokud je zapojeno do el. obvodu s proudovým chráničem ≤ 30 mA. Použití el. obvodu s chráničem /RCD/ snižuje riziko úrazu elektrickým proudem.
- ✿ Ruční el. nářadí držte výhradně za izolované plochy určené k uchopení, protože při provozu může dojít ke kontaktu řezacího či vrtacího příslušenství se skrytým vodičem nebo s napájecí šňůrou nářadí.

Bezpečnost osob

- ✿ Při používání elektrického nářadí buďte pozorní a ostražití, věnujte maximální pozornost činnosti, kterou právě provádíte. Soustřeďte se na práci. Nepracujte s elektrickým nářadím pokud jste unaveni, nebo jste-li pod vlivem drog, alkoholu nebo léků. I chvilková nepozornost při používání elektrického nářadí může vést k vážnému poranění osob. Při práci s el. nářadím nejzte, nepijte a nekuřte.
- ✿ Používejte ochranné pomůcky. Vždy používejte ochranu zraku. Používejte ochranné prostředky odpovídající druhu práce, kterou provádíte. Ochranné pomůcky jako např. respirátor, bezpečnostní obuv s protiskluzovou úpravou, pokrývka hlavy nebo ochrana sluchu používané v souladu s podmínkami práce snižují riziko poranění osob.
- ✿ Vyvarujte se neúmyslného zapnutí nářadí. Nepřenášejte nářadí, které je připojeno k elektrické síti, s prstem na spínači nebo na spoušti. Před připojením k elektrickému napájení se ujistěte, že spínač nebo spoušť jsou v poloze „vypnuto“. Přenášení nářadí s prstem na spínači nebo zapojování vidlice nářadí do zásuvky se zapnutým spínačem může být příčinou vážných úrazů.
- ✿ Před zapnutím nářadí odstraňte všechny seřizovací klíče a nástroje. Seřizovací klíč nebo nástroj, který zůstane připevněn k otáčející se části elektrického nářadí může být příčinou poranění osob.
- ✿ Vždy udržujte stabilní postoj a rovnováhu. Pracujte jen tam, kam bezpečně dosáhnete. Nikdy nepřeceňujte vlastní sílu. Nepoužívejte elektrické nářadí, jste-li unaveni.
- ✿ Oblékejte se vhodným způsobem. Používejte pracovní oděv. Nenoste volné oděvy ani šperky. Dbejte na to, aby se vaše vlasy, oděv, rukavice nebo jiná část vašeho těla nedostala do přílišné blízkosti rotujících nebo rozpálených částí el.nářadí.
- ✿ Připojte zařízení k odsávání prachu. Jestliže má nářadí možnost připojení zařízení pro zachycování nebo odsávání prachu, zajistěte, aby došlo k jeho řádnému připojení a používání. Použití těchto zařízení může omezit nebezpečí vznikající prachem.
- ✿ Pevně upevněte obrobek. Použijte truhlářskou svěrku nebo svěrák pro upevnění dílu, který budete obrábět.

- ✿ Nepoužívejte elektrické nářadí pokud jste pod vlivem alkoholu, drog, léků nebo jiných omamných či návykových látek.
- ✿ Toto zařízení není určené pro použití osobami (včetně dětí) se sníženými fyzickými, smyslovými nebo mentálními schopnostmi nebo s nedostatkem zkušeností a znalostí, pokud nejsou pod dozorem nebo nedostali pokyny s ohledem na použití zařízení od osoby zodpovědné za jejich bezpečnost. Děti musí být pod dozorem, aby jste se ujistili, že si nehrájí se zařízením.

Používání elektrického nářadí a jeho údržba

- ✿ El. nářadí vždy odpojte z el. sítě v případě jakéhokoliv problému při práci, před každým čištěním nebo údržbou, při každém přesunu a po ukončení práce! Nikdy nepracujte s el. nářadím, pokud je jakýmkoliv způsobem poškozené.
- ✿ Pokud začne nářadí vydávat abnormální zvuk nebo zápach, okamžitě ukončete práci.
- ✿ Elektrické nářadí nepřetěžujte. Elektrické nářadí bude pracovat lépe a bezpečněji, pokud jej budete provozovat v otáčkách, pro které bylo navrženo. Používejte správné nářadí, které je určeno pro danou činnost. Správné nářadí bude lépe a bezpečněji vykonávat práci, pro kterou bylo zkonstruováno.
- ✿ Nepoužívejte elektrické nářadí, které nelze bezpečně zapnout a vypnout ovládacím spínačem. Používání takového nářadí je nebezpečné. Vadné spínače musí být opraveny certifikovaným servisem.
- ✿ Odpojte nářadí od zdroje elektrické energie předtím, než začnete provádět jeho seřizování, výměnu příslušenství nebo údržbu. Toto opatření zamezí nebezpečí náhodného spuštění.
- ✿ Nepoužívané elektrické nářadí uklíďte a uschovejte tak, aby bylo mimo dosah dětí a nepovolaných osob. Elektrické nářadí v rukou nezkušených uživatelů může být nebezpečné. Elektrické nářadí skladujte na suchém a bezpečném místě.
- ✿ Udržujte elektrické nářadí v dobrém stavu. Pravidelně kontrolujte seřízení pohybujících se částí a jejich pohyblivost. Kontrolujte zda nedošlo k poškození ochranných krytů nebo jiných částí, které mohou ohrozit bezpečnou funkci elektrického nářadí. Je-li nářadí poškozeno, před dalším použitím zajistěte jeho řádnou opravu. Mnoho úrazů je způsobeno špatně udržovaným elektrickým nářadím.
- ✿ Řezací nástroje udržujte ostré a čisté. Správně udržované a naostřené nástroje usnadňují práci, omezují nebezpečí zranění a práce s nimi se snáze kontroluje. Použití jiných příslušenství než těch, která jsou uvedena v návodu k obsluze mohou způsobit poškození nářadí a být příčinou zranění.
- ✿ Elektrické nářadí, příslušenství, pracovní nástroje atd. používejte v souladu s těmito pokyny a takovým způsobem, který je předepsán pro konkrétní elektrické nářadí a to s ohledem na dané podmínky práce a druh prováděné práce. Používání nářadí k jiným účelům, než pro jaké je určeno, může vést k nebezpečným situacím.

Servis

- ✿ Nevyměňujte části nářadí, neprovádějte sami opravy, ani jiným způsobem nezasahujte do konstrukce nářadí. Opravy nářadí svěřte kvalifikovaným osobám.
- ✿ Každá oprava nebo úprava výrobku bez oprávnění naší společnosti je nepřipustná (může způsobit úraz, nebo škodu uživateli).
- ✿ Elektrické nářadí vždy nechte opravit v certifikovaném servisním středisku. Používejte pouze originální nebo doporučené náhradní díly. Zajistíte tak bezpečnost Vaši i Vašeho nářadí.

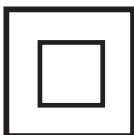
2. SYMBOLY



Tento produkt je vyroben v souladu se schválenými normami.



Před použitím stroje si pozorně přečtěte návod k obsluze.



Dvojitá izolace.



Použijte ochranné pomůcky na oči



Použijte ochranné pomůcky na uši



Nevhazujte je do běžného odpadu

3. OBECNÝ POPIS

POPIS A OZNAČENÍ SOUČÁSTÍ STROJE

1. Vypínač
2. Suché brusné kotouče
3. Kryt kola
4. Ochrana jisker
5. Průhledná obrazovka
6. Podpora obrobku
7. Seřizovací šroub
8. Montážní otvor
9. Mlýnek na broušení za mokra
10. Vodní nádrž

Montáž stroje

- ✿ Stroj musí být přišroubován k pracovní desce.
- ✿ Označte polohu montážních otvorů (8) na pracovním stole.
- ✿ Vyvrtejte otvory v každé z označených poloh a upravte průměr a hloubku otvorů podle použitých šroubů.
- ✿ Umístěte stroj na pracovní stůl a zašroubujte šrouby do montážních otvorů.
- ✿ Pevně utáhněte šrouby.

Výměna brusného kotouče

- ✿ Při výměně brusného kotouče za sucha postupujte následovně:
- ✿ Sejměte kryt kola (3).
- ✿ Povolte matici (11).
- ✿ Sejměte vnější přírubu (12) a staré brusné kolo (2).
- ✿ Vyčistěte příruby (12 a 13).
- ✿ Vložte nové brusné kotouče.
- ✿ Umístěte vnější přírubu proti broušení a nasadte matici na vřeteno.

Matici pevně utáhněte.

- * Nasadte kryt kola.
- * Při výměně brusného kotouče za mokra postupujte následovně:
- * Vyměňte vodní nádrž (10).
- * Povolte matici (15).
- * Sejměte vnější přírubu (16) a staré brusné kolo (9).
- * Vyčistěte příruby (16 a 17).
- * Vložte nové brusné kotouče.
- * Umístěte vnější přírubu proti brusnému kotouči a matici umístěte na vřeteno.
- * Matici pevně utáhněte.
- * Vyměňte vodní nádrž.



Před výměnou brusného kotouče vždy odpojte nářadí.
Nikdy nepoužívejte prasklý brusný kotouč.
Okamžitě vyměňte prasklý brusný kotouč.
Prasklý brusný kotouč se může při použití rozbít na kousky a způsobit nehodu.

Montáž a nastavení jiskrové ochrany

- * Ochranu jiskry je třeba pravidelně upravovat, aby se vyrovnalo opotřebení brusného kotouče.
- * Povolte matici (19) a vyšroubujte šroub (18).
- * Ochranu jisker (4) uchopte proti krytu kola (3) podle obrázku.
- * Namontujte kryt jiskry (4) na kryt kola (3) pomocí matice (19) a šroubu (18).
- * Nastavte vzdálenost mezi chráničem jisker a brusným kotoučem (2) na nejmenší možnou hodnotu, maximálně 2 mm.
- * Utáhněte jiskrovou ochranu.
- * Posuňte obrazovku (5) dopředu.
- * Utáhnout matici (20).



Chránič jisker chrání vaše oči a ruce před jiskry létající z obrobku.
Proto vždy použijte jiskrovou ochranu.

Nastavení podpory obrobku

- ✿ Aby se vyrovnalo opotřebenění brusného kotouče, musí být podpora obrobku pravidelně seřizována.
- ✿ Povolte seřizovací šroub (7).
- ✿ Upravte vzdálenost mezi držák obrobku (6) a broušení kolo (2) na nejmenší možnou hodnotu, s maximem 2 mm. Utáhněte stavěcí šroub.

Návod k použití

- ✿ Před zapnutím stroje zkontrolujte, zda jsou všechny šrouby a matice utaženy a zda se brusný kotouč může volně otáčet.
- ✿ Broušení vždy provádějte na přední části brusného kotouče. Nikdy nepřebíjejte stroj a nezastavujte brusný kotouč.
- ✿ Stroj není určen k trvalému použití. Ujistěte se, že stroj není přehřátý. Po 30 minutách používání nechte stroj vychladnout na okolní teplotu.

Mletí za sucha

- ✿ Kotouč na suché broušení (2) je vhodný pro hrubovací broušení.
- ✿ K broušení tvrdých kovů používejte brusný kotouč složený z měkkého kamene.
- ✿ K broušení měkkých kovů použijte brusný kotouč složený z tvrdého kamene.
- ✿ Mezi časy nástroje, které se mají brousit, pravidelně ochlazujte pomocí chladicí kapaliny. Pravidelně upravujte kryt jiskry a opěru obrobku, aby se vyrovnalo opotřebenění brusného kotouče.

Mokrě broušení

- ✿ Mlecí kotouč (9) je vhodný pro jemné broušení. Během používání by brusný kotouč měl běžet ve vodě.
- ✿ Před použitím zkontrolujte, zda je vypouštěcí kohout (14) správně umístěn, a naplňte nádržku na vodu (10) až do ca. 1 cm pod hranou (21) s domácí vodou.
- ✿ Během používání pravidelně kontrolujte hladinu vody.
- ✿ Podle potřeby přidejte vodu.
- ✿ Po použití vyjměte vypouštěcí kohout a vyprázdněte vodní nádrž.

Zapnutí a vypnutí

- * Chcete-li stroj zapnout, přepněte vypínač (1) do polohy „I“.
- * Chcete-li stroj vypnout, přepněte vypínač (1) do polohy „0“.

4. TECHNICKÉ ÚDAJE

BRUSKA NA SUCHÉ A MOKRÉ BROUŠENÍ:	
Napájení	230V/50Hz
Příkon	250W S2 30Min
Rychlost bez zatížení	2960/min
Hladina akustického tlaku	80.7dB(A)
Broušení za sucha:	150 x 20 * 12,7 mm
Broušení za mokra:	200 x 40 x 20 mm
Hladina akustického výkonu	91.7dB(A)
Třída ochrany	I
Hmotnost	10,2kg

Návod k použití v originálním jazyce.

Změna textu a technických parametrů vyhrazena.

Změny v textu, designu a technických specifi kací se mohou měnit bez předchozího upozornění a vyhrajujeme si právo na jejich změnu.

Řešení problémů

Předpokládané poruchy mají často příčiny, které uživatel zvládne vyřešit vlastními silami. Zkuste proto výrobek zkontrolovat s použitím této sekce. Ve většině případů je možné problém rychle odstranit.

UPOZORNĚNÍ!

Provádějte pouze kroky popsané v tomto návodu! V případě, že nejste schopni problém vyřešit sami, pak jakékoli další kontroly, údržby a opravy musejí být prováděny autorizovaným servisním centrem nebo odborníkem s obdobnou kvalifikací!

Problém	Možná příčina	Řešení
1. Produkt se nespustí	1.1 Nezapojeno do elektrické sítě 1.2 Vadný napájecí kabel nebo zástrčka 1.3 Jiná závada elektrického napájení	1.1 Zapojte do elektrické sítě 1.2 Nechte zkontrolovat elektrikářem 1.3 Nechte zkontrolovat elektrikářem
2. Produkt nedosáhne plného výkonu	2.1 Prodlužovací kabel není v hodný pro provoz s tímto produktem. 2.2 Zdroj napájení (např. generátor) má příliš nízké napětí 2.3 Větrací průduchy jsou blokovány	2.1 Používejte náležitý prodlužovací kabel 2.2 Zapojte do jiného zdroje napájení 2.3 Vyčistěte větrací průduchy
3. Neuspokojivý výsledek	3.1 Kotouč je opotřeбенý /poškozený 3.2 Kotouč není vhodný pro materiál určený k obrábění	3.1 Vyměňte za nový 3.2 Používejte náležitý vrták
4. Nadměrné vibrace nebo hluk	4.1 Vrták je tupý/poškozený 4.2 Šrouby/matice jsou uvolněné	4.1 Vyměňte za nový 4.2 Utáhněte šrouby/matice

5. LIKVIDACE

POKYNY A INFORMACE O NAKLÁDÁNÍ S POUŽITÝM OBALEM

Použitý obalový materiál odložte na místo určené obcí k ukládání odpadu.

LIKVIDACE POUŽITÝCH ELEKTRICKÝCH A ELEKTRONICKÝCH ZAŘÍZENÍ



Tento symbol na produktech anebo v průvodních dokumentech znamená, že použité elektrické a elektronické výrobky nesmí být přidány do běžného komunálního odpadu. Ke správné likvidaci, obnově a recyklaci předejte tyto výrobky na určená sběrná místa. Alternativně v některých zemích Evropské unie nebo jiných evropských zemích můžete vrátit své výrobky místnímu prodejci při koupi ekvivalentního nového produktu. Správnou likvidací tohoto produktu pomůžete zachovat cenné přírodní zdroje a napomáháte prevenci potenciálních negativních dopadů na životní prostředí a lidské zdraví, což by mohly být důsledky nesprávné likvidace odpadů. Další podrobnosti si vyžádejte od místního úřadu nebo nejbližšího sběrného místa. Při nesprávné likvidaci tohoto druhu odpadu mohou být v souladu s národními předpisy uděleny pokuty.

Pro podnikové subjekty v zemích Evropské unie

Chcete-li likvidovat elektrická a elektronická zařízení, vyžádejte si potřebné informace od svého prodejce nebo dodavatele. Likvidace v ostatních zemích mimo Evropskou unii Tento symbol je platný v Evropské unii. Chcete-li tento výrobek zlikvidovat, vyžádejte si potřebné informace o správném způsobu likvidace od místních úřadů nebo od svého prodejce.



Tento výrobek splňuje veškeré základní požadavky směrnic EU, které se na něj vztahují.

Změny v textu, designu a technických specifikacích se mohou měnit bez předchozího upozornění a vyhrazujeme si právo na jejich změnu.

Brúska na suché a mokré brúsenie

NÁVOD NA OBSLUHU

Ďakujeme vám, že ste si zakúpili túto brúska na suché a mokré brúsenie. Skôr, než ju začnete používať, prečítajte si prosím pozorne tento návod na obsluhu a uschovajte ho pre prípad ďalšieho použitia.

OBSAH

1. VŠEOBECNÉ BEZPEČNOSTNÉ PREDPISY	32
VŠEOBECNÉ BEZPEČNOSTNÉ POKYNY	33
2. SYMBOLY	37
3. VŠEOBECNÝ POPIS	38
4. TECHNICKÉ ÚDAJE	40
5. LIKVIDÁCIA	42

1. VŠEOBECNÉ BEZPEČNOSTNÉ PREDPISY

⚠ POZOR! Pred použitím si pozorne prečítajte návod na použitie

Dôležité bezpečnostné upozornenia

- ✿ Výrobok starostlivo vybalte a dajte pozor, aby ste nevyhodili žiadnu časť obalového materiálu skôr, ako nájdete všetky súčasti výrobku.
- ✿ Výrobok uschovávajte na suchom mieste mimo dosahu detí.
- ✿ Čítajte všetky upozornenia a pokyny. Zanedbanie pri dodržovaní varovných upozornení a pokynov môžu mať za následok úraz elektrickým prúdom, požiar a/alebo ťažké poranenia.

Obal

Výrobok je umiestnený v obale brániacom poškodeniu pri transporte. Tento obal je surovinou a je možné ho preto odovzdať na recykláciu.

Návod na použitie

Kým začnete so strojom pracovať, prečítajte si nasledujúce bezpečnostné predpisy a pokyny na používanie. Zoznámte sa s obslužnými prvkami a správnym používaním zariadenia. Návod starostlivo uschovajte pre prípad neskoršej potreby. Minimálne počas záruky odporúčame uschovať originálny obal vrátane vnútorného baliaceho materiálu, pokladničný doklad a záručný list. V prípade prepravy zabalte stroj späť do originálnej škatule od výrobcu, zaistíte si tak maximálnu ochranu výrobku pri prípadnom transporte (napr. sťahovaní alebo odoslaní do servisného strediska).

- 📖 **Poznámka:** Ak odovzdávate stroj ďalším osobám, odovzdajte ho spoločne s návodom. Dodržiavanie priloženého návodu na obsluhu je predpokladom riadneho používania stroja. Návod na obsluhu obsahuje aj pokyny pre obsluhu, údržbu a opravy.

Výrobca nepreberá zodpovednosť za nehody alebo škody, ktoré vzniknú následkom nedodržiavania tohto návodu.

VŠEOBECNÉ BEZPEČNOSTNÉ POKYNY

Tieto bezpečnostné pokyny si starostlivo preštudujte, zapamätajte a uschovajte

⚠ UPOZORNENIE! Pri používaní elektrických strojov a elektrického náradia je nutné rešpektovať a dodržiavať nasledujúce bezpečnostné pokyny z dôvodu ochrany pred úrazom elektrickým prúdom, zraneniam osôb a nebezpečenstvom vzniku požiaru. Výrazom „elektrické náradie“ sa vo všetkých nižšie uvedených pokynoch myslí elektrické náradie napájané zo siete (napájacím káblom), ako aj náradie napájané z batérií (bez napájacieho kábla). Uschovajte všetky varovania a pokyny pre budúce použitie.

Pracovné prostredie

- ✿ Udržujte pracovný priestor v čistom stave a dobre osvetlený. Neporiadok a tmavé miesta na pracovisku bývajú príčinou úrazov. Odložte náradie, ktoré práve nepoužívate.
- ✿ Nepoužívajte elektrické náradie v prostredí s nebezpečenstvom vzniku požiaru alebo výbuchu, čo znamená v miestach, kde sa vyskytujú horľavé kvapaliny, plyny alebo prach. V elektrickom náradí vzniká na komutátore iskrenie, ktoré môže byť príčinou vznietenia prachu alebo výparov.
- ✿ Pri používaní el. náradia zamedzte prístupu nepovoláných osôb, najmä detí, do pracovného priestoru! Ak budete vyrušovaní, môžete stratiť kontrolu nad vykonávanou činnosťou. V žiadnom prípade nenechávajte el. náradie bez dozoru. Zabráňte zvieratám v prístupe k zariadeniu.

Elektrická bezpečnosť

- ✿ Vidlica napájacieho kábla elektrického náradia musí zodpovedať sieťovej zásuvke. Nikdy žiadnym spôsobom neupravujte vidlicu. K náradiu, ktoré má na vidlicu napájacieho kábla ochranný kolík, nikdy nepoužívajte rozdvojky ani iné adaptéry. Nepoškodené vidlice a zodpovedajúce zásuvky znižujú riziko úrazu elektrickým prúdom. Poškodené alebo zamotané napájacie káble zvyšujú nebezpečenstvo úrazu elektrickým prúdom. Ak je sieťový kábel poškodený, je nutné ho nahradiť novým sieťovým káblom, ktorý sa dá získať v autorizovanom servisnom stredisku alebo u dovozcu.
- ✿ Vyvarujte sa dotyku tela s uzemnenými predmetmi, ako napr. potrubie, vykurovacie telesá, sporáky a chladničky. Nebezpečenstvo úrazu elektrickým prúdom je väčšie, ak je vaše telo spojené so zemou.
- ✿ Nevystavujte elektrické náradie dažďu, vlhku alebo mokru. Elektrického náradia sa nikdy nedotýkajte mokrými rukami. Elektrické náradie nikdy neumývajte pod tečúcou vodou ani ho neponárajte do vody.

- ✿ Nepoužívajte napájací kábel na iný účel, než na aký je určený. Nikdy nenoste a nefahajte elektrické náradie za napájací kábel. Nevyfahujte vidlicu zo zásuvky fahaním za kábel. Zabráňte mechanickému poškodeniu elektrických káblov ostrými alebo horúcimi predmetmi.
- ✿ El. náradie bolo vyrobené výlučne na napájanie striedavým el. prúdom. Vždy skontrolujte, že elektrické napätie zodpovedá údaju uvedenému na typovom štítku náradia.
- ✿ Nikdy nepracujte s náradím, ktoré má poškodený el. kábel alebo vidlicu, alebo spadlo na zem a je nejakým spôsobom poškodené.
- ✿ V prípade použitia predlžovacieho kábla vždy skontrolujte, že jeho technické parametre zodpovedajú údajom uvedeným na typovom štítku náradia. Ak sa elektrické náradie používa vonku, používajte predlžovací kábel vhodný na vonkajšie použitie. Pri použití predlžovacích bubnov je nutné ich rozvinúť, aby nedochádzalo k prehriatiu kábla.
- ✿ Ak sa elektrické náradie používa vo vlhkých priestoroch alebo vonku, je povolené ho používať, iba ak je zapojené do el. obvodu s prúdovým chráničom < 30 mA. Použitie el. obvodu s chráničom /RCD/ znižuje riziko úrazu elektrickým prúdom.
- ✿ Ručné el. náradie držte výlučne za izolované plochy určené na uchopenie, pretože pri prevádzke môže dôjsť ku kontaktu rezacieho či vŕtacieho príslušenstva so skrytým vodičom alebo s napájacou šnúrou náradia.

Bezpečnosť osôb

- ✿ Pri používaní elektrického náradia buďte pozorní a ostražití, venujte maximálnu pozornosť činnosti, ktorú práve vykonávate. Sústreďte sa na prácu. Nepracujte s elektrickým náradím, ak ste unavení, alebo ak ste pod vplyvom drog, alkoholu alebo liekov. Aj chvíľková nepozornosť pri používaní elektrického náradia môže viesť k vážnemu poraneniu osôb. Pri práci s el. náradím nejedzte, nepite a nefajčíte.
- ✿ Používajte ochranné pomôcky. Vždy používajte ochranu zraku. Používajte ochranné prostriedky zodpovedajúce druhu práce, ktorú vykonávate. Ochranné pomôcky, ako napr. respirátor, bezpečnostná obuv s protišmykovou úpravou, pokrývka hlavy alebo ochrana sluchu používané v súlade s podmienkami práce znižujú riziko poranenia osôb.
- ✿ Vyvarujte sa neúmyselného zapnutia náradia. Neprenášajte náradie, ktoré je pripojené k elektrickej sieti, s prstom na spínači alebo na spúšti. Pred pripojením k elektrickému napájaniu sa uistite, že spínač alebo spúšť sú v polohe „vypnuté“. Prenášanie náradia s prstom na spínači alebo zapájanie vidlice náradia do zásuvky so zapnutým spínačom môže byť príčinou vážnych úrazov.
- ✿ Pred zapnutím náradia odstráňte všetky nastavovacie kľúče a nástroje. Nastavovací kľúč alebo nástroj, ktorý zostane pripevnený k otáčajúcej sa časti elektrického náradia môže byť príčinou poranenia osôb.
- ✿ Vždy udržiajte stabilný postoj a rovnováhu. Pracujte len tam, kam bezpečne dosiahnete. Nikdy neprečenujte vlastnú silu. Nepoužívajte elektrické náradie, ak ste unavení.
- ✿ Obliekajte sa vhodným spôsobom. Používajte pracovný odev. Nenoste voľné odevy ani šperky. Dbajte na to, aby sa vaše vlasy, odev, rukavice alebo iná časť vášho tela nedostala do prílišnej blízkosti rotujúcich alebo rozpálených častí el. náradia.

- ✿ Pripojte zariadenie na odsávanie prachu. Ak má náradie možnosť pripojenia zariadenia na zachytávanie alebo odsávanie prachu, zaistíte, aby došlo k jeho riadnemu pripojeniu a používaniu. Použitie týchto zariadení môže znížiť nebezpečenstvo vznikajúce prachom.
- ✿ Pevne upevnite obrobok. Použite stolársku svorku alebo zverák na upevnenie dielu, ktorý budete obrábať.
- ✿ Nepoužívajte elektrické náradie, ak ste pod vplyvom alkoholu, drog, liekov alebo iných omamných alebo návykových látok.
- ✿ Toto zariadenie nie je určené na použitie osobami (vrátane detí) so zníženými fyzickými, zmyslovými alebo mentálnymi schopnosťami, alebo s nedostatkom skúseností a znalostí, pokiaľ nie sú pod dozorom alebo nedostali pokyny ohľadom použitého zariadenia od osoby zodpovednej za ich bezpečnosť. Deti musia byť pod dozorom, aby ste sa uistili, že sa nehrajú so zariadením.

Použitie elektrického náradia a jeho údržba

- ✿ El. náradie vždy odpojte z el. siete v prípade akéhokoľvek problému pri práci, pred každým čistením alebo údržbou, pri každom presune a po ukončení práce! Nikdy nepracujte s el. náradím, ak je akýmkoľvek spôsobom poškodené.
- ✿ Ak začne náradie vydávať abnormálny zvuk alebo zápach, okamžite ukončíte prácu.
- ✿ Elektrické náradie nepreťažujte. Náradie bude pracovať lepšie a bezpečnejšie, ak ho budete prevádzkovať v otáčkach, pre ktoré bolo navrhnuté. Používajte správne náradie, ktoré je určené pre danú činnosť. Správne náradie bude lepšie a bezpečnejšie vykonávať prácu, na ktorú bolo skonštruované.
- ✿ Nepoužívajte elektrické náradie, ktoré nie je možné bezpečne zapnúť a vypnúť ovládacím spínačom. Používanie takého náradia je nebezpečné. Chybné spínače musia byť opravené certifikovaným servisom.
- ✿ Odpojte náradie od zdroja elektrickej energie predtým, než začnete vykonávať jeho nastavovanie, výmenu príslušenstva alebo údržbu. Toto opatrenie zabráni náhodnému spusteniu.
- ✿ Nepoužívané elektrické náradie upracte a uschovajte tak, aby bolo mimo dosahu detí a nepovolaných osôb. Elektrické náradie v rukách neskúsených používateľov môže byť nebezpečné. Elektrické náradie skladujte na suchom a bezpečnom mieste.
- ✿ Udržujte elektrické náradie v dobrom stave. Pravidelne kontrolujte nastavenie pohybujúcich sa častí a ich pohyblivosť. Kontrolujte, či nedošlo k poškodeniu ochranných krytov alebo iných častí, ktoré môžu ohroziť bezpečnú prevádzku náradia. Pokiaľ je náradie poškodené, pred ďalším použitím zaistíte jeho riadnu opravu. Veľa úrazov je spôsobených zle udržiavaným elektrickým náradím.
- ✿ Rezacie nástroje udržiavajte ostré a čisté. Správne udržiavané a naostrené nástroje uľahčujú prácu, obmedzujú nebezpečenstvo zranenia a práca s nimi sa ľahšie kontroluje. Použitie iného príslušenstva než toho, ktoré je uvedené v návode na obsluhu, môže spôsobiť poškodenie náradia a byť príčinou zranenia.

- ✿ Elektrické náradie, príslušenstvo, pracovné nástroje atď. používajte v súlade s týmito pokynmi a takým spôsobom, ktorý je predpísaný pre konkrétne elektrické náradie a to s ohľadom na dané podmienky práce a druh vykonávanej práce. Používanie náradia na iné účely, než na aké je určené, môže viesť k nebezpečným situáciám.

Servis

- ✿ Nevymieňajte časti náradia, nevykonávajte sami opravy, ani iným spôsobom nezasahujte do konštrukcie náradia. Opravy náradia zverte kvalifikovaným osobám.
- ✿ Každá oprava alebo úprava výrobku bez oprávnenia našej spoločnosti je neprípustná (môže spôsobiť úraz alebo škodu používateľovi).
- ✿ Elektrické náradie vždy nechajte opraviť v certifikovanom servisnom stredisku. Používajte len originálne alebo odporúčané náhradné diely. Zaisťte tak bezpečnosť vašu i vášho náradia.

2. SYMBOLY

	Tento produkt je vyrobený v súlade so schválenými normami.
	Pred použitím stroja si pozorne prečítajte návod na obsluhu.
	Dvojitá izolácia
	Použite ochranné pomôcky na oči
	Použite ochranné pomôcky na uši
	Neodhadzovať

3. VŠEOBECNÝ POPIS

POPIS A OZNAČENIE SÚČASTÍ STROJA

1. Vypínač
2. Kotúč na brúsenie za sucha
3. Kryt koleša
4. Ochrana pred iskrami
5. Priehľadná obrazovka
6. Podpora obrobkov
7. Nastavovacia skrutka
8. Montážny otvor
9. Kotúč na brúsenie za mokra
10. Vodná nádrž

Montáž stroja

- ✿ Stroj musí byť priskrutkovaný k pracovnému stolu.
- ✿ Označte polohu montážnych otvorov (8) na pracovnom stole.
- ✿ Vyvrtajte otvory v každej z označených polôh a upravte priemer a hĺbku otvorov podľa použitých skrutiek.
- ✿ Stroj umiestnite na pracovný stôl a zaskrutkujte skrutky do upevňovacích otvorov.
- ✿ Pevne dotiahnite skrutky.

Výmena brúsneho kotúča

- ✿ Pri výmene suchého brúsneho kotúča postupujte takto:
- ✿ Odstráňte kryt koleša (3).
- ✿ Povoľte maticu (11).
- ✿ Odstráňte vonkajšiu prírubu (12) a starý brúsny kotúč (2).
- ✿ Vyčistite príruby (12 a 13).
- ✿ Vložte nový brúsny kotúč.
- ✿ Vonkajšiu prírubu postavte na brúsenie a umiestnite maticu na vreteno.

Maticu pevne dotiahnite.

- * Namontujte späť kryt kolesa.
- * Pri výmene kotúča na brúsenie za mokra postupujte takto:
- * Vyberte nádrž na vodu (10).
- * Povoľte maticu (15).
- * Odstráňte vonkajšiu prírubu (16) a staré brúsne kotúče (9).
- * Vyčistite príruby (16 a 17).
- * Vložte nový brúsny kotúč.
- * Vonkajšiu prírubu položte na brúsny kotúč a maticu umiestnite na vreteno.
- * Maticu pevne dotiahnite.
- * Vymeňte nádrž na vodu.



Pred výmenou brúsneho kotúča náradie vždy odpojte od siete.
Nikdy nepoužívajte prasknutý brúsny kotúč.
Okamžite vymeňte prasknutý brúsny kotúč.
Prasknutý brúsny kotúč sa môže pri použití rozbiť na kúsky a spôsobiť nehodu.

Montáž a nastavenie ochrany proti iskreniu

- * Chránič iskry potrebuje pravidelné nastavenie, aby sa vyrovnalo opotrebenie brúsneho kotúča.
- * Uvoľnite maticu (19) a odskrutkujte skrutku (18).
- * Ochrannú iskier (4) priložte na kryt kolesa (3) podľa obrázka.
- * Ochrannú maticu (4) namontujte pomocou matice (19) a skrutky (18) na kryt kolesa (3).
- * Vzdialenosť medzi chráničom iskry a brúsnym kotúčom (2) nastavte na najmenšiu možnú hodnotu, maximálne však 2 mm.
- * Utiahnite kryt iskry.
- * Obrazovku (5) posuňte dopredu.
- * Maticu (20) dotiahnite.



Ochrana proti iskreniu chráni vaše oči a ruky pred iskrami, ktoré vytečajú z obrobku.
Preto vždy používajte ochranné zariadenie proti iskreniu.

Nastavenie podpery obrobkú

- ✿ Aby sa vyrovnalo opotrebenie brúsneho kotúča, musí byť podpora obrobkú pravidelne nastavovaná.
- ✿ Uvoľníte nastavovaciu skrutku (7).
- ✿ Nastavíte vzdialenosť medzi držiak obrobkú (6) a brúsenie koleso (2) na najmenšiu možnú hodnotu, s maximom 2 mm.
- ✿ Utiahnite nastavovaciu skrutku.

Inštrukcie na používanie

- ✿ Pred zapnutím stroja skontrolujte, či sú všetky skrutky a matice utiahnuté a či sa brúsny kotúč môže voľne otáčať.
- ✿ Brúste vždy na prednej časti brúsneho kotúča. Stroj nikdy nenabíjajte, pretože brúsny kotúč sa zastavil.
- ✿ Stroj nie je určený na trvalé použitie. Uistite sa, že stroj nie je prehriaty. Po 30 minútach používania nechajte stroj vychladnúť na teplotu okolia.

Mletie za sucha

- ✿ Kotúč (2) na brúsenie za sucha je vhodný na hrubovacie brúsenie.
- ✿ Na brúsenie tvrdých kovov používajte brúsny kotúč z mäkkého kameňa.
- ✿ Na brúsenie mäkkých kovov používajte brúsny kotúč z tvrdého kameňa.
- ✿ Nástroje, ktoré sa majú brúsiť, pravidelne chladte pomocou chladiacej kvapaliny.
- ✿ Pravidelne nastavujte kryt iskry a držiak obrobkú, aby ste vyrovnali opotrebenie brúsneho kotúča.

Mletie za mokra

- ✿ Kotúč (9) na brúsenie za mokra je vhodný na jemné brúsenie. Počas používania by mal brúsny kotúč bežať vo vode.
- ✿ Pred použitím skontrolujte, či je odtokový kohút (14) správne umiestnený, a nádržku na vodu (10) naplňte až na cca. 1 cm pod okrajom (21) s úžitkovou vodou.
- ✿ Počas používania pravidelne kontrolujte hladinu vody.
- ✿ Podľa potreby pridajte vodu.
- ✿ Po použití vyberte vypúšťací kohút, aby ste vyprázdнили nádrž na vodu.

Zapínanie a vypínanie

- * Ak chcete stroj zapnúť, prepínač zap / vyp (1) prepnite do polohy „I“.
- * Ak chcete stroj vypnúť, prepínač zap / vyp (1) prepnite do polohy „0“.

4. TECHNICKÉ ÚDAJE

ELEKTRICKÁ STRIEKACIA PIŠTOL:	
Sieťové napätie:	230V/50Hz
Príkion	250W S2 30Min
Rýchlosť bez zaťaženia	2960 / min
Hladina akustického tlaku	80.7 dB(A)
Brúsenie za sucha	150 x 20 * 12,7 mm
Brúsenie za mokra	200 x 40 x 20 mm
Hladina zvukového výkonu:	91.7 dB(A)
Trieda ochrany	I
Hmotnosť	10,2 kg

Návod na použitie – len jazyková mutácia.

Zmena textu a technických parametrov vyhradená.

Zmeny v texte, dizajne a technických špecifikáciách sa môžu meniť bez predchádzajúceho upozornenia a vyhradujeme si právo na ich zmenu.

Riešenie problémov

Predpokladané poruchy majú často príčiny, ktoré užívateľ zvládne vyriešiť vlastnými silami. Skúste preto výrobok zkontrolovať s použitím tejto sekcie. Vo väčšine prípadov je možné problém rýchle odstrániť.

UPOZORNENIE !

Vykonávajte iba kroky popísané v tomto návode! V prípade, že nie ste schopní problém vyriešiť sami, potom akékoľvek ďalšie kontroly, údržby a opravy musia byť vykonávané autorizovaným servisným centrom alebo odborníkom s obdobnou kvalifikáciou!

Problém	Možná príčina	Riešenie
1. Produkt sa nespustí	1.1 Nezapojený do elektrickej siete 1.2 Chybný napájací kábel alebo zástrčka 1.3 Iná závada elektrického napájania	1.1 Zapojte do elektrickej siete 1.2 Nechajte zkontrolovať elektrikárom 1.3 Nechajte zkontrolovať elektrikárom
2. Produkt nedosiaha plného výkonu	2.1 Predlžovací kábel nie je vhodný na prevádzku s týmto produktom. 2.2 Zdroj napájania (napr. generátor) má príliš nízke napätie 2.3 Vetracie priechody sú blokované	2.1 Používajte náležitý predlžovací kábel 2.2 Zapojte do iného zdroja napájania 2.3 Vyčistite vetracie priechody
3. Neuspokojivý výsledok	3.1 Kotúč je opotrebený /poškodený 3.2 Kotúč nie je vhodný pre materiál určený k obrábaniu	3.1 Vymeňte za nový 3.2 Používajte náležitý kotúč
4. Nadmerné vibrácie alebo hluk	4.1 Kotúč je opotrebený /poškodený 4.2 Skrutky/matice sú uvoľnené	4.1 Vymeňte za nový 4.2 Utiahnite skrutky /matice

5. LIKVIDÁCIA

POKYNY A INFORMÁCIE O ZAOBCHÁDZANÍ S POUŽITÝM OBALOM

Použitý obalový materiál odložte na miesto určené obcou na ukladanie odpadu.

LIKVIDÁCIA POUŽITÝCH ELEKTRICKÝCH A ELEKTRONICKÝCH ZARIADENÍ



Tento symbol na produktoch alebo v sprievodných dokumentoch znamená, že použité elektrické a elektronické výrobky sa nesmú pridávať do bežného komunálneho odpadu. Na správnu likvidáciu, obnovu a recykláciu odovzdajte tieto výrobky na určené zberné miesta. V niektorých krajinách Európskej únie alebo iných európskych krajinách môžete vrátiť svoje výrobky miestnemu predajcovi pri kúpe ekvivalentného nového produktu. Správnu likvidáciu tohto produktu pomôžete zachovať cenné prírodné zdroje a napomáhate prevencii potenciálnych negatívnych dopadov na životné prostredie a ľudské zdravie, čo by mohlo byť dôsledkom nesprávnej likvidácie odpadov. Ďalšie podrobnosti si vyžadajte od miestneho úradu alebo najbližšieho zberného miesta. Pri nesprávnej likvidácii tohto druhu odpadu môžu byť v súlade s národnými predpismi udelené pokuty.

Pre podnikové subjekty v krajinách Európskej únie

Ak chcete likvidovať elektrické a elektronické zariadenia, vyžadajte si potrebné informácie od svojho predajcu alebo dodávateľa.

Likvidácia v ostatných krajinách mimo Európskej únie

Tento symbol je platný v Európskej únii. Ak chcete tento výrobok zlikvidovať, vyžadajte si potrebné informácie o správnom spôsobe likvidácie od miestnych úradov alebo od svojho predajcu



Tento výrobok spĺňa všetky základné požiadavky smerníc EÚ, ktoré sa naň vzťahujú.

Zmeny v texte, dizajne a technických špecifikáciách sa môžu meniť bez predchádzajúceho upozornenia a vyhradzuje si právo na ich zmenu.

Daráló száraz és nedves csiszoláshoz

HASZNÁLATI ÚTMUTATÓ

Köszönjük, hogy cégünk daráló száraz és nedves csiszoláshoz megvásárlása mellett döntött. Mielőtt használatba venné, kérjük, olvassa el figyelmesen ezt a használati útmutatót, majd őrizze meg, hogy később bármikor újraolvashassa.

TARTALOM

1. ÁLTALÁNOS BIZTONSÁGI ELŐÍRÁSOK	49
2. SZIMBÓLUMOK	50
3. ÁLTALÁNOS LEÍRÁS	55
4. TECHNIKAI ADATOK	56
5. MEGSEMMISÍTÉ	60

1. ÁLTALÁNOS BIZTONSÁGI ELŐÍRÁSOK

⚠ FIGYELEM! Használat előtt olvassa el figyelmesen a használati útmutatót.

Fontos biztonsági figyelmeztetések

- ✿ Figyelmesen csomagolja ki a terméket, és ügyeljen arra, hogy ne dobja ki a csomagolás semelyik részét mindaddig, amíg meg nem találta a termék valamennyi alkotóelemét.
- ✿ A terméket száraz helyen, gyermekektől távol tartsa.
- ✿ Olvassa el az összes figyelmeztetést és utasítást. A figyelmeztetések be nem tartás áramütéshez, tűzhez és/vagy súlyos sérülésekhez vezethet.

Csomagolás

A csomagolóanyag szállítás közben óvja a terméket. Ez a csomagolás nyersanyag, ezért újrahasznosítás céljával leadható.

Használati útmutató

Mielőtt megkezdené a munkavégzést a készülékkel, olvassa el figyelmesen a következő biztonsági és használati utasításokat. Ismerkedjen meg a gép kezelőszerveivel, és a helyes használat szabályaival. A használati útmutató őrizze meg egy esetleges későbbi újraolvasáshoz. A csomagolóanyagot, beleértve a belső csomagolóanyagot, a pénztárblokkot és a jótállási jegyet is, ajánlott legalább a jótállás érvényessége alatt megőrizni. Szállítás esetén csomagolja vissza a készüléket a gyártótól kapott eredeti dobozba, így biztosíthatja a termék esetleges szállítás közbeni maximális védelmét (pl. költözés vagy szervizbe küldés).

📖 Megjegyzés: Amennyiben a készüléket más személyeknek kívánja átadni, mellékelje a használati útmutatót is. A mellékelt használati útmutató betartása a sövénynyíró előírás szerű használatának előfeltétele. A használati útmutató egyben használati, kezelési és javítási utasításokat is tartalmaz.

A gyártó nem felel a jelen használati útmutató be nem tartása következtében felmerült sérülésekért vagy károkért.

A biztonsági útmutatót figyelmesen tanulmányozza át, majd a későbbi újraolvasás érdekében őrizze meg

▲ FIGYELEM! Elektromos gépek és elektromos szerszámok használata estén áramütés, személyi sérülés és tűz keletkezésének elkerülése érdekében tartsa be az alábbi biztonsági rendelkezéseket. Az „elektromos szerszámok” kifejezés alatt minden alábbi szövegrész esetében elektromos hálózathoz (csatlakozókábellel) táplált, illetve akkumulátoros (csatlakozókábel nélküli) elektromos szerszámok értendők. A későbbi újraolvasás érdekében őrizze meg az összes figyelmeztetést és utasítást.

Munkakörnyezet

- ☼ Tartsa rendben, tisztán és megfelelően megvilágítottan a munkavégzés helyszínét. A munkahelyi rendtelenség személyi sérüléshez vezethet. A nem használt szerszámokat rakja el.
- ☼ Ne használja az elektromos szerszámot tűz- és robbanásveszélyes közegben, azaz tűzveszélyes folyadékok, gázok vagy por közelében. Az elektromos szerszámokban a kommutátoron szikrázás jöhet létre, amely a porok vagy gázok begyulladását okozhatja.
- ☼ Az elektromos szerszámok használata során ügyeljen arra, hogy a munkavégzési helyszínen és annak közelében ne tartózkodjanak hivatlan személyek, különösen gyermekek! Ha a munkájában megzavarják, könnyen elveszítheti a gép feletti ellenőrzését. Soha ne hagyja az elektromos szerszámot felügyelet nélkül. Előzze meg, hogy a szerszámhoz kisgyermekek férhessenek.

Elektromos biztonság

- ☼ Az elektromos szerszám csatlakozókábele villásdugójának meg kell felelnie a hálózati dugalj paramétereinek. Soha semmilyen módon ne alakítsa át a villásdugót. A védőcsapós villásdugóval rendelkező szerszámhoz soha ne használjon elektromos elosztót, se másmilyen adaptereket. Ép villásdugó és megfelelő dugalj használatával megelőzheti az áramütés veszélyét. A sérült vagy összegabalyodott csatlakozókábelek fokozzák az áramütés veszélyét. Ha a csatlakozókábel sérült, új hálózati csatlakozókábellel kell helyettesíteni, amelyet szakszervizből vagy az importőrtől szerezhet be.
- ☼ Kerülje az érintkezést földelt tárgyakkal, pl. csövekkel, fűtőtesttel, tűzhellyel, hűtővel. Az áramütés veszélye nagyobb, ha a teste földelt.
- ☼ Soha ne tegye ki az elektromos szerszámokat eső, víz, nedvesség hatásának. Soha ne érjen az elektromos szerszámhoz vizes kézzel. Az elektromos szerszámot soha nem mossa el folyóvízzel, és ne merítse vízbe.

- ☼ Soha ne használja a csatlakozókábel a rendeltetésétől eltérő célokra. Soha ne hordozza és ne rángassa az elektromos szerszámot a csatlakozókábelnél fogva. Soha ne próbálja a villásdugót a csatlakozókábelnél rángatva kihúzni a dugaljából. A csatlakozókábelek mechanikus megsérülésének megelőzése érdekében óvja a kábeleket az éles vagy forró tárgyaktól.
- ☼ Az elektromos szerszám kizárólag váltóárammal történő táplálásra alkalmas. Minden esetben ellenőrizze le, hogy a hálózati elektromos feszültség értékek megfelelnek a szerszám gyári adattábláján található paramétereknek.
- ☼ Soha ne dolgozzon olyan elektromos szerszámmal, amelynek sérül a csatlakozókábele vagy villásdugója, esetleg leesett a földre vagy más módon megsérült.
- ☼ Hosszabbító kábel használata esetén minden esetben ellenőrizze le, hogy annak műszaki paraméterei megfelelnek a szerszám gyári adattábláján található adatoknak. Ha az elektromos szerszámot kültérben kívánja használni, használjon hozzá kültéri használatra alkalmas hosszabbító kábelt. Hosszabbító kábel dob használata esetén a kábelt annak túlforrósodásának megelőzése érdekében le kell csévélni a dobról.
- ☼ Amennyiben az elektromos szerszámot nedves belső térben vagy kültérben kívánja használni, kizárólag abban az esetben használható, ha <30 mA-es áramvédelemmel ellátott elektromos áramkörhöz csatlakoztatja. Az áramvédelemmel /RCD/ ellátott elektromos áramkör használata csökkenti az áramütés veszélyét.
- ☼ Az elektromos kéziszerszámot minden esetben kizárólag a fogásra kijelölt, szigetelt pontokon fogja, mivel használat közben a vágó vagy fúró tartozékok rejtett vezetékkel vagy a szerszám csatlakozókábellel érintkezhet.

Személyi biztonság

- ☼ Az elektromos szerszám használata során legyen figyelmes és elővigyázatos, szenteljen maximális figyelmet a végzett tevékenységnek. Összpontosítson a munkára. Soha ne dolgozzon az elektromos szerszámmal ha fáradt, kábító hatású anyagok, alkohol vagy gyógyszerek hatása alatt áll. Egy pillanatnyi figyelmetlenség is súlyos személyi sérüléshez vezethet. Munkavégzés során ne egyen, ne igyon és ne dohányozzon.
- ☼ Használjon személyi munkavédelmi eszközöket. Minden esetben használjon munkaszemüveget. Használjon a végzett munka jellegének megfelelő védőeszközöket. A személyi védőeszközök - pl. arcpajzs, csúszásgátló kivitelű munkacipő, sisak vagy fülvédő csökkentik a személyi sérülések kockázatát.
- ☼ Előzze meg a szerszám nemkívánatos bekapcsolását. Soha ne hordozza az elektromos hálózathoz csatlakoztatott szerszámot úgy, hogy közben az ujját a kapcsológombon tartja. Az elektromos hálózathoz csatlakoztatást megelőzően ellenőrizze le, hogy a főkapcsoló „kikapcsolt” állapotban található. Ha az elektromos szerszámot úgy hordozza, hogy közben az ujját a főkapcsolón tartja, vagy a szerszámot úgy csatlakoztatja az elektromos hálózathoz, hogy a főkapcsoló gomb közben bekapcsolt állású, súlyos személyi sérülés kockázatának teszi ki magát vagy a közelben tartózkodó személyeket.

- ✿ A szerszám bekapcsolása előtt távolítson el minden állítókulcsot és szerszámot. Az elektromos szerszám forgó részébe csatlakoztatott állítókulcs vagy szerszám súlyos személyi sérülést okozhat.
- ✿ Minden esetben ügyeljen a stabil testtartásra és egyensúlya megőrzésére. Kizárólag ott végezze a munkát, ahova biztonságosan elér. Soha ne becsülje túl magát. Ha fáradt, ne használja az elektromos szerszámot.
- ✿ Megfelelő munkaruhát viseljen. Kerülje a bő ruhadarabokat és az ékszereket. Ügyeljen arra, hogy a haja, öltözete vagy feste más részei ne kerüljenek túlságosan közel az elektromos szerszám forgó vagy túlforrósodott részeihez.
- ✿ Használjon porelszívót. Amennyiben az elektromos szerszám lehetővé teszi porelszívó berendezés használatát, biztosítsa annak megfelelő csatlakoztatását és használatát. E berendezések használata csökkenti a por okozta veszély mértékét.
- ✿ Fogja be fixen a munkadarabot. Használjon asztalos satut vagy más befogó eszközt, amely biztonságosan befogja a munkadarabot.
- ✿ Soha ne használja az elektromos szerszámot, ha szeszes italok, kábítószer, gyógyszerek vagy más kábító vagy függőséget okozó anyagok hatása alatt áll.
- ✿ A készülék nem alkalmas csökkentett fizikai, érzékszervi vagy mentális képességekkel rendelkező, továbbá megfelelő ismeretekkel és tapasztalatokkal nem rendelkező személyek, illetve gyermekek általi használatra, kivéve ha a felelősségükért közvetlen felelősséget viselő személy felügyelete alatt állnak, vagy attól a szerszám használatára vonatkozó utasítást nem kaptak. Gyermekek esetében folyamatos felügyelet biztosítása szükséges annak elkerülése érdekében, hogy ne játszanak a készülékkel.

Az elektromos szerszám használata és karbantartása

- ✿ A munkavégzés során felmerült bármilyen probléma esetében, tisztítás vagy karbantartás, továbbá minden áthelyez előtt, illetve munkavégzés után minden esetben húzza ki az elektromos szerszámot az elektromos hálózathoz! Soha ne dolgozzon az elektromos szerszámmal, ha az bármilyen módon megsérült.
- ✿ Ha a szerszám szokatlan hangot vagy szagot ad ki, azonnal fejezze be a munkát.
- ✿ Soha ne terhelje túl az elektromos szerszámot. Az elektromos szerszám jobban és biztonságosabban dolgozik, ha az előírt paramétereknek megfelelő fordulatszámra üzemelteti. Az adott tevékenységnek megfelelő, helyes szerszámot használjon. A helyes szerszám jobban és biztonságosabban végzi a rendeltetésének megfelelő munkát.
- ✿ Soha ne használjon olyan elektromos szerszámot, amely nem kapcsolható be vagy ki biztonságosan a főkapcsolóval. Az ilyen szerszám használata veszélyes. A sérült, hibás kapcsoló javítását szakszervizre kell bízni.
- ✿ Húzza ki az elektromos szerszámot az elektromos hálózathoz még azt megelőzően, hogy beállítaná, tartozékot cserélné benne, vagy karbantartási műveletet végezne rajta. Ez az intézkedés megakadályozza, hogy a szerszámot véletlenszerűen elindítsa.

- ☼ A nem használt elektromos szerszámot gyermekektől és hivatlan személyektől távol tárolja. Tapasztalatlan felhasználók kezében az elektromos szerszám használata fokozott kockázattal jár. Az elektromos szerszámot száraz és biztonságos helyen tárolja.
- ☼ Biztosítsa az elektromos szerszám megfelelő műszaki állapotát. Rendszeresen ellenőrizze a mozgó részek beállítását és azok mozgásterét. Ellenőrizze le, hogy a védőburkolatok vagy azok más részei nem sérültek-e. Ha a szerszám sérült, biztosítsa annak előírás szerű megjavítását. Számos baleset oka a rosszul karbantartott elektromos szerszám.
- ☼ Tartsa élesen és tisztán a vágószerszámokat. A helyesen karbantartott és megélezett szerszámok megkönnyítik a munkavégzést, csökkentik a balesetveszélyt, és a velük folytatott munkavégzés könnyebben ellenőrizhető. A használati útmutatóban feltüntetett tartozékoktól eltérő tartozékok használata a szerszám megsérülését és balesetet okozhat.
- ☼ Az elektromos szerszámokat, azok tartozékait és a munkaeszközöket stb. a konkrét elektromos szerszám használati útmutatójával összhangban használja, figyelembe véve a konkrét munkavégzési feltételeket és a végzett munka jellegét. A szerszám más, mint előírás szerű használata veszélyes helyzetek kialakulásához vezethet.

Akkumulátoros szerszám használata

- ☼ Az akkumulátor behelyezése előtt ellenőrizze le, hogy a főkapcsoló „0-kikapcsolt” állásban található. Az akkumulátor bekapcsolt állapotú szerszámba helyezése jelentős veszélyforrást jelent.
- ☼ Az akkumulátor töltéséhez kizárólag a gyártó által előírt töltőt használjon. Más akkumulátor típushoz használatos töltő használata annak megsérülésének, illetve tűz kialakulásának veszélyével jár.
- ☼ Kizárólag az adott szerszámhoz szánt akkumulátort használjon. Más akkumulátorok használata személyi sérüléshez vagy tűz kialakulásához vezethet.
- ☼ Ha nem használja az akkumulátort, fémtárgyaktól - pl. kapcsok, kulcsok, csavarok és más egyéb apró fémtárgyak - elkülönítve tárolja, mivel azok rövidzárat okozhatnak. Az akkumulátor rövidre zárása személyi sérülést, égési sérülést vagy tüzet okozhat.
- ☼ Az akkumulátorral óvatosan járjon el. Ellenkező esetben az akkumulátorból vegyi anyag szivároghat. Kerülje az érintkezést ezzel a vegyi anyaggal, amennyiben mégis érintkezne vele, folyóvízzel mossa le az érintett felületet. Ha a vegyi anyag szembe jutna, azonnal forduljon orvoshoz. Az akkumulátorban található vegyi anyag súlyos személyi sérülést okozhat.

Szerviz

- ☼ Soha ne próbálja saját maga megjavítani a szerszámot, és ne avatkozzon be annak szerkezetébe. A szerszám javítását minden esetben bízza szakképzett személyre.
- ☼ A termék minden nem szakember által végzett javítása, módosítása tilos (személyi sérüléshez vagy anyagi kárhoz vezethet).
- ☼ Az elektromos szerszámot tanúsított szakszervizben javíttassa meg. Kizárólag eredeti vagy a gyártó által ajánlott pótalkatrészeket használjon. Kizárólag ily módon biztosítható a felhasználó és az elektromos szerszám biztonsága.

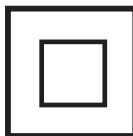
2. SZIMBÓLUMOK



A gép a jóváhagyott szabványokkal összhangban került legyártásra.



A gép használatba vétele előtt olvassa el a használati útmutatót.



Dupla szigetelés.



Használjon védőfelszerelést szem



Használjunk védőfelszerelést fül



Ne dobja a szemétkbe

3. ÁLTALÁNOS LEÍRÁS

A GÉP ALKOTÓELEMEINEK LEÍRÁSA ÉS BEAZONOSÍTÁSA

1. Be / ki kapcsoló
2. Száraz csiszolókorong
3. kerékvédő
4. Szikravédő
5. átlátszó képernyő
6. Munkadarab tartó
7. Állítócsavar
8. Rögzítő lyuk
9. Nedves csiszolókorong
10. víztartály

A gép felszerelése

- ✿ A gépet munkapadra kell csavarozni.
- ✿ Jelölje meg a rögzítő lyukak helyzetét (8) a munkapadon.
- ✿ Fúrjon furatokat minden megjelölt helyre, a furatok átmérőjét és mélységét a csavarokhoz igazítva.
- ✿ Helyezze a gépet a munkapadra, és csavarja be a csavarokat a rögzítő lyukakba.
- ✿ Húzza meg szorosan a csavarokat.

Csiszolókorong cseréje

- ✿ A száraz csiszolókorong cseréjéhez az alábbiak szerint járjon el:
- ✿ Távolítsa el a kerékvédőt (3).
- ✿ Lazítsa meg az anyát (11).
- ✿ Távolítsa el a külső peremet (12) és a régi csiszolókorongot (2).
- ✿ Tisztítsa meg a karimákat (12 és 13).
- ✿ Helyezzen be egy új csiszolókorongot.
- ✿ Helyezze a külső peremet a csiszolóhoz keréken, és helyezze az anyát az orsóra.

Húzza meg szorosan az anyát.

- * Cserélje ki a kerékvédőt.
- * A nedves csiszolókorong cseréjéhez az alábbiak szerint járjon el:
- * Távolítsa el a víztartályt (10).
- * Lazítsa meg az anyát (15).
- * Távolítsa el a külső peremet (16) és a régi csiszolókorongot (9).
- * Tisztítsa meg a karimákat (16 és 17).
- * Helyezzen be egy új csiszolókorongot.
- * Helyezze a külső peremet a köszörűkorongra, és helyezze az anyát az orsóra.
- * Húzza meg szorosan az anyát.
- * Cserélje ki a víztartályt.



A csiszolókorong cseréje előtt mindig húzza ki a szerszámot a konnektorból.

Soha ne használjon repedt csiszolókorongot.

Azonnal cserélje ki a megrepedt csiszolókorongot.

A repedezett csiszolókorong darabokra szakadhat, és baleseteket okozhat.

A szikravédő felszerelése és beállítása

- * A szikravédőt rendszeresen beállítani kell az őrlőkorong kopásának kompenzálása érdekében.
- * Lazítsa meg az anyát (19), és távolítsa el a csavart (18).
- * Tartsa a szikravédőt (4) a kerékvédőhöz (3) az ábra szerint.
- * Szerelje fel a szikravédőt (4) a kerékvédőre (3) az anyával (19) és a csavarral (18).
- * A szikravédő és a köszörűkorong (2) közötti távolságot állítsa a lehető legkisebbre, legfeljebb 2 mm-re.
- * Húzza meg a szikravédőt.
- * Csúsztassa előre a képernyőt (5).
- * Húzza meg az anyát (20).



A szikravédő megvédi a szemét és a kezét a munkadarabtól elszivárogó szikrától.

Ezért mindig használja a gyújtóvédőt.

A munkadarab tartójának beállítása

- ✿ A munkadarab tartóját rendszeresen beállítani kell a csiszolókorong kopásának kompenzálása érdekében.
- ✿ Lazítsa meg a beállító csavart (7).
- ✿ Állítsa be a távolságot a munkadarab tartó (6) és az őrlés kerék (2) a lehető legkisebb értékig, legfeljebb 2 mm-rel.
- ✿ Húzza meg a beállító csavart

Használati útmutató

- ✿ A gép bekapcsolása előtt ellenőrizze, hogy az összes csavar és anya szorosan-e, és az őrlőkerék szabadon forog-e.
- ✿ Mindig őrlje meg a csiszolókorong első részét. Soha ne töltse túl a gépet, mert az őrlőtárcsa leállhat.
- ✿ A gépet nem használják állandó használatra. Ügyeljen arra, hogy a gép ne legyen túlhevítve. A gép 30 percig tartó használata után hagyja lehűlni környezeti hőmérsékletre.

Száraz őrlés

- ✿ A száraz köszőrűkorong (2) alkalmas durva csiszolásra.
- ✿ A keményfémek csiszolásához használjon puha kőből készült csiszolókorongot.
- ✿ A lágy fémek csiszolására kemény kőből készült köszőrűt használjon. Időnként hűtsön hűtőfolyadékkal rendszeresen az őrlendő eszközöket.
- ✿ Rendszeresen állítsa be a gyújtóvédőt és a munkadarab tartóját a köszőrűkorong kopásának kompenzálása érdekében.

Nedves csiszolás

- ✿ A nedves csiszolókorong (9) alkalmas finomcsiszolásra. Használat közben a köszőrűkorongnak vízben kell futnia.
- ✿ Használat előtt ellenőrizze, hogy a leeresztő csap (14) megfelelően van-e elhelyezve, és töltsse fel a víztartályt (10) kb. 1 cm-rel a széle (21) alatt, háztartási vízzel.
- ✿ Használat közben rendszeresen ellenőrizze a vízszintet.
- ✿ Adjon hozzá vizet, ha szükséges.
- ✿ Használat után vegye le a kifolyócsapot, hogy ürítse ki a víztartályt.

Be- és kikapcsolás

- ✿ A gép bekapcsolásához állítsa a be- / kikapcsolót (1) „I” állásba.
- ✿ A gép kikapcsolásához állítsa a be- / kikapcsolót (1) 0-ra.

4. TECHNIKAI ADATOK

DARÁLÓ SZÁRAZ ÉS NEDVES CSISZOLÁSHOZ:	
Feszültség	230V/50Hz
Fogyasztás	250 W S2 30 perc
Sebesség terhelés nélkül	2960 / perc
A hangnyomás szintje	80.7 dB(A)
Száraz őrlés	150 x 20 * 12,7 mm
Nedves csiszolás	200 x 40 x 20 mm
Hangteljesítményszint	91.7 dB(A)
Védőosztály	I
Súly	10,2 kg

Használati útmutató - nyelvi változat.

A szöveg és műszaki paraméterek változtatásának joga fenntartva.

A szöveg, kivétel és műszaki specifikációk előzetes fi gyelmeztetés nélkül változhatnak és a változtatások joga fenntartva.

Hibakeresés

A feltételezett hibás működés elhárítása általában megoldható a használó által. Ennek érdekében kérjük, olvassa el az alábbi megoldási javaslatokat. A legtöbb esetben a probléma elhárítása gyorsan történik.

FIGYELEM!

Csak az alábbiakban részletezett műveleteket végezze el! Ha ezek alapján nem tudja elhárítani a problémát, bármiféle további ellenőrzés, karbantartás, javítás csak az arra felhatalmazott szervizben, illetve képzett szakember által történhet!

Probléma	Feltételezett ok	Megoldás
1. A készülék nem kapcsolható be	1.1 Nem csatlakozik hálózati áramforráshoz 1.2 A tápkábel, illetve csatlakozó sérült 1.3 Elektromos meghibásodás	1.1 Csatlakoztassa a készüléket elektromos hálózathoz 1.2 Javítsa meg a tápkábelt, illetve a csatlakozót villanszerelővel 1.3 Ellenőriztesse, illetve javítsa meg a készüléket szakemberrel
2. A készülék nem üzemeltethető nagy teljesítménnyel	2.1 A hosszabbító kábel nem megfelelő a készülék üzemeltetéséhez 2.2 Az áramforrás (pl. generátor) alacsony feszültséget biztosít 2.3 A szellőzőnyílások eltömődtek	2.1 Használjon megfelelő hosszabbító kábelt 2.2 Csatlakoztassa a készüléket megfelelő áramforráshoz 2.3 Tisztítsa meg a szellőzőnyílásokat
3. Nem kielégítő eredmény	3.1 A malomkő veszteség /sérült 3.2 A malomkő nem megfelelő a munkadarab anyagához	3.1 Cserélje ki a malomkő 3.2 Használjon megfelelő malomkő
4. Erős vibráció, illetve zaj	4.1 A malomkő veszteség /sérült 4.2 A rögzítés kiengedett, laza	4.1 Cserélje ki a malomkő 4.2 szorítsa meg a rögzítést

5. MEGSEMMISÍTÉS

UTASÍTÁSOK ÉS TÁJÉKOZTATÓ A HASZNÁLT CSOMAGOLÓANYAG KEZELÉSÉRŐL.

A használt csomagolóanyagot helyezze a község által erre a célra kijelölt hulladékgyűjtőbe.

A HASZNÁLT ELEKTROMOS ÉS ELEKTRONIKUS BERENDEZÉSEK LIKVIDÁLÁSA



A termékeken vagy a kísérő dokumentumokban levő jel az azt jelzi, hogy a használt elektromos és elektronikus termékeket tilos a megszokott települési hulladékba rakni. A megfelelő likvidálás, felújítás vagy újrahaznosítás céljával adja át ezen termékeket a kijelölt gyűjtőhelyre. Az EK némely országában vagy más európai országokban alternatív módon a terméket visszaviheti az értékesítőnek, akitől a terméket megvásárolta egy új, ekvivalens termék vásárlása esetén. Ezen termék megfelelő likvidálásával hozzásegít az értékes természeti kincsek megőrzéséhez és segíti a környezetre és emberi egészségre gyakorolt potenciális negatív hatások megelőzését, ami a helytelen hulladék likvidálás következménye lehet. A további részleteket a helyi hivatalban vagy a legközelebbi gyűjtőhelyen kaphat. Az ilyen jellegű hulladék helytelen likvidálása a nemzeti előírásoknak megfelelően bírsággal sújtható.

Az Európai Közösség országaiban működő cégek részére

Ha elektromos vagy elektronikus berendezéseket kíván likvidálni, kérje ki a szükséges információkat az kereskedelmi képviselőjénél vagy az áru értékesítőjénél.

Likvidálás az Európai Közösségen kívüli országokban

Ez a jel az Európai Közösségen belül érvényes. Ha ezen terméket kívánja likvidálni, a megfelelő likvidálást illetően kérje a tájékoztatást a helyi hivatalokban vagy áru értékesítőjénél.



Ezen termék megfelel az EK szabványok alapvető követelményeinek, amelyek a terméket érintik.

A szöveg, formatervezés és műszaki specifikációk változása megengedett előzetes figyelmeztetés nélkül és fenntartjuk magunknak a jogot azok módosítására.

Szlifierka do szlifowania na sucho i mokro

INSTRUKCJA OBSŁUGI

Dziękujemy za dokonanie zakupu szlifierka do szlifowania na sucho i mokro. Przed rozpoczęciem użytkowania należy dokładnie zapoznać się z treścią niniejszej instrukcji obsługi i zachować ją na przyszłość.

SPIS TREŚCI

1. OGÓLNE PRZEPISY BEZPIECZEŃSTWA	63
OGÓLNE UWAGI DOTYCZĄCE BEZPIECZEŃSTWA	64
2. SYMBOLE	70
3. CHARAKTERYSTYKA OGÓLNA	71
4. DANE TECHNICZNE	75
5. LIKWIDACJA	77

1. OGÓLNE PRZEPISY BEZPIECZEŃSTWA

⚠ UWAGA! Przed użyciem należy uważnie przeczytać instrukcję użytkowania.

Ważne uwagi dotyczące bezpieczeństwa

- ✿ Produkt należy starannie rozpakować, należy zwrócić uwagę na wyjęcie z opakowania wszystkich części produktu.
- ✿ Produkt należy przechowywać w miejscu suchym, zabezpieczyć przed dostępem dzieci.
- ✿ Prze czytać wszelkie uwagi i instrukcje. Zaniedbania w stosunku do uwag i instrukcji mogą być powodem urazu, pożaru i/lub ciężkiego zranienia.

Opakowanie

Produkt jest zapakowany do opakowania chroniącego go przed uszkodzeniem w czasie transportu. Opakowanie jest surowcem wtórnym i należy poddać je recyklingowi.

Instrukcja obsługi

Przed rozpoczęciem korzystania z urządzenia należy zapoznać się z poniższymi przepisami bezpieczeństwa i instrukcją obsługi. Należy zapoznać się z elementami obsługi i właściwym korzystaniem z urządzenia. Instrukcje należy przechowywać w celu późniejszego z niej korzystania. Przez okres trwania gwarancji zaleca się przechowanie oryginalnego opakowania wraz z materiałami opakunkowymi, dokument zakupu i kartę gwarancyjną. Przechowanie opakowania ułatwi w przyszłości ewentualny transport urządzenia (przeprowadzka, odesłanie do naprawy).

📖 Uwaga: Jeżeli nastąpi przekazanie urządzenia innym użytkownikom, należy przekazać również instrukcję obsługi. Stosowanie się do zaleceń zawartych w instrukcji zapewni właściwe użytkowanie urządzenia. Instrukcja obsługi zawiera również instrukcje konserwacji urządzenia i napraw.

Producent nie ponosi odpowiedzialności za wypadki lub szkody powstałe w wyniku nie stosowania się do niniejszej instrukcji obsługi.

OGÓLNE UWAGI DOTYCZĄCE BEZPIECZEŃSTWA

Należy zapoznać się z niniejszymi uwagami dotyczącymi bezpieczeństwa, zapamiętać je i przechowywać

⚠ UWAGA! Podczas użytkowania maszyn i narzędzi elektrycznych należy stosować się do poniższych uwag w celu uniknięcia porażenia prądem elektrycznym, zranienia i niebezpieczeństwa wywołania pożaru. Pod pojęciem „narzędzia elektryczne” dla celów poniżej zamieszczonych uwag rozumie się narzędzie elektryczne zasilane z instalacji elektrycznej (przewód zasilający) jak również narzędzie zasilane z akumulatora (bez przewodu zasilającego). Należy przechować wszystkie ostrzeżenia i zalecenia w celu wykorzystania w przyszłości.

Środowisko pracy

- ☼ Stanowisko pracy należy utrzymywać w czystości i dbać o prawidłowe oświetlenie. Bałagan i miejsca nie doświetlone na stanowisku pracy bywają przyczyną wypadków. Należy uprzątnąć narzędzia w danej chwili nie używane.
- ☼ Nie używać narzędzi elektrycznych w środowisku zagrożonym pożarem lub wybuchem, tzn. tam gdzie występują ciecze palne, gazy lub zapalenie. W narzędziu elektrycznym powstaje iskrzenie na komutatorze, mogące powodować zapalenie oparów lub pyłu.
- ☼ Przy użytkowaniu narzędzia elektrycznego nie dopuszczać do stanowiska pracy osób postronnych i dzieci! Przeszkadzanie w pracy może spowodować utratę kontroli nad wykonywaną czynnością. Nigdy nie należy pozostawiać narzędzi elektrycznych bez nadzoru. Nie dopuszczać zwierząt w pobliże urządzeń.

Bezpieczeństwo użytkowania urządzeń elektrycznych

- ☼ Wtyczka przewodu zasilania musi być zgodna z gniazdkiem sieciowym. Nigdy nie należy naprawiać wtyczki. Narzędzia zaopatrzonego we wtyczkę wyposażoną w kontakt ochronny nie należy przyłączać do zasilania używając trójnika lub innego adaptera. Nieuszkodzone wtyczki i odpowiednie gniazdka sieciowe zapobiegają porażeniu prądem elektrycznym. Uszkodzone lub splątane przewody zasilające zwiększają zagrożenie porażenia prądem elektrycznym. Jeżeli przewód zasilający jest uszkodzony, należy wymienić go na nieuszkodzony, który można zakupić w autoryzowanym zakładzie naprawczym lub u importera.
- ☼ Wystrzegać się w czasie pracy dotykania przedmiotów uziemionych, jak np. instalacja wodociągowa, grzejniki, kuchenki elektryczne i lodówki. Niebezpieczeństwo porażenia prądem elektrycznym jest większe, jeżeli występuje bezpośredni kontakt z ziemią.

- ✿ Nie narażać narzędzi elektrycznych na bezpośredni kontakt z deszczem, wilgocią. Nie wolno dotykać narzędzi elektrycznych mokrymi rękoma. Nie należy myć narzędzi elektrycznych pod bieżącą wodą ani zanurzać ich we wodzie.
- ✿ Nie używać przewodu zasilającego do celów innych, niż wynika to z jego przeznaczenia. Nigdy nie należy przenosić i ciągnąć urządzeń elektrycznych za przewód zasilający. Nie wyłączać wtyczki pociągając za przewód. Chronić przewody zasilające przed uszkodzeniem mechanicznym spowodowanym przez ostre lub gorące przedmioty.
- ✿ Narzędzie elektryczne jest przystosowane wyłącznie do zasilania prądem elektrycznym zmiennym. Zawsze należy sprawdzić, czy napięcie elektryczne odpowiada wartości zamieszczonej na tabliczce znamionowej narzędzia.
- ✿ Nigdy nie należy używać narzędzia z uszkodzonym przewodem zasilania lub wtyczką, które spadło na podłoże i jest w jakimś stopniu uszkodzone.
- ✿ W przypadku używania przedłużacza należy sprawdzić, czy jego parametry techniczne odpowiadają danym umieszczonym na tabliczce znamionowej narzędzia. Jeżeli narzędzie elektryczne używane jest poza pomieszczeniem zadaszonym, należy stosować przedłużacz odpowiedni do użytkowania poza pomieszczeniami zadaszonymi. W razie stosowania przedłużaczy nawiniętych na bęben, konieczne jest ich rozwinięcie, aby nie dopuścić do przegrzania przewodu.
- ✿ Jeżeli narzędzie elektryczne jest użytkowane w dużych pomieszczeniach lub na zewnątrz budynku, dozwolone jest jego użytkowanie, jeżeli jest podłączone do instalacji zaopatrzonej w wyłącznik różnicowoprądowy/RCD/ < 30 mA. Korzystanie z instalacji wyposażonej w wyłącznik różnicowoprądowy /RCD/ zmniejsza ryzyko porażenia prądem elektrycznym.
- ✿ Ręczne narzędzia elektryczne należy chwycić wyłącznie za izolowane uchwyty, dlatego że podczas pracy może nastąpić kontakt urządzenia tnącego lub wierzącego z ukrytym przewodem elektrycznym lub z przewodem zasilającym narzędzie.

Bezpieczeństwo osób

- ✿ Podczas użytkowania narzędzia elektrycznego należy zachować maksymalną ostrożność i uwagę przy wykonywaniu danej czynności. Należy skoncentrować się na wykonywanej pracy. Nie należy wykonywać prac z użyciem narzędzia elektrycznego w stanie zmęczenia, będąc pod wpływem narkotyków, alkoholu lub leków. Nawet chwilowa nieuwaga może spowodować wypadek. Podczas pracy z użyciem narzędzia elektrycznego nie należy jeść, pić, palić.
- ✿ Należy stosować środki ochrony osobistej. Zawsze należy stosować ochronę oczu. Stosować środki ochrony osobistej odpowiednie dla danego rodzaju prac. Środki ochrony takie jak np. maseczka oddechowa, obuwie o podeszwie antypoślizgowej, przykrycie głowy lub ochronniki słuchu używane stosownie do warunków wykonywanej pracy obniżają ryzyko spowodowania wypadku.

- ✿ Należy wystrzegać się przypadkowego włączenia narzędzia. Nie przemieszczać narzędzia podłączonego do sieci elektrycznej, z palcem na włączniku. Przed podłączeniem narzędzia do sieci należy sprawdzić, czy włącznik jest w położeniu „wyłączony”. Przemieszczanie narzędzia z palcem na włączniku lub włączanie do gniazdka sieciowego z załączonym włącznikiem może być przyczyną wypadku.
- ✿ Przed włączeniem narzędzia należy usunąć wszystkie klucze i przyrządy użyte do regulacji. Klucz do regulacji lub przyrząd, pozostawiony w obracającej się części narzędzia elektrycznego może być przyczyną wypadku.
- ✿ Przy pracy należy zajmować stabilną pozycję i równowagę. Pracować tylko w bezpiecznym zasięgu. Nigdy nie należy przeceniać własnych możliwości. Nie używać narzędzi elektrycznych będąc zmęczonym.
- ✿ Należy stosować odpowiedni ubiór. Stosować ubranie robocze. Nie zakładać luźnych ubrań ani nie zakładać biżuterii. Uważać, aby włosy, odzież, rękawice nie znalazły się w zasięgu obracających się lub rozgrzanych elementów narzędzia elektrycznego.
- ✿ Podłączyć urządzenie do odsysania pyłu. Jeżeli narzędzie posiada opcję podłączenia do urządzenia do wychwytywania lub odsysania pyłu, należy je prawidłowo podłączyć i używać. Stosowanie takiego urządzenia może ograniczyć zagrożenia powodowany przez powstający w trakcie pracy pył.
- ✿ Element obrabiany należy odpowiednio zamocować. Należy stosować ściski stolarskie lub imadło do mocowania obrabianego elementu.
- ✿ Nie pracować z narzędziem elektrycznym będąc pod wpływem alkoholu, narkotyków, leków lub substancji uzależniających.
- ✿ Urządzenie nie może być obsługiwane przez osoby (także dzieci) o obniżonych zdolnościach manualnych lub psychicznych lub nie posiadające odpowiedniego doświadczenia i umiejętności jeżeli nie pozostają pod bezpośrednim nadzorem lub, które nie zostały odpowiednio przeszkolone przez osoby odpowiedzialne za ich bezpieczeństwo. Konieczny jest nadzór zapobiegający dostępowi dzieci do narzędzi.

Użytkowanie narzędzia elektrycznego i jego konserwacja

- ✿ W razie wystąpienia problemów w pracy narzędzia należy odłączyć je od zasilania elektrycznego, tak samo należy postąpić przed przystąpieniem do czyszczenia lub konserwacji, przy każdym przemieszczaniu narzędzia i po zakończeniu pracy! Nigdy nie wolno używać do pracy narzędzia uszkodzonego.
- ✿ Jeżeli narzędzie zacznie emitować nienormalny dźwięk lub zapach, natychmiast należy przerwać pracę.
- ✿ Nie należy przeciążać narzędzia elektrycznego. Narzędzie elektryczne będzie pracować wydajniej i bezpieczniej, jeżeli będzie eksploatowane na obrotach, dla których zostało zaprojektowane. Zawsze należy używać narzędzie sprawne, przeznaczone do wykonywania danej pracy. Odpowiednie narzędzie będzie lepiej i bezpieczniej wykonywać pracę dla wykonywania której zostało zbudowane.

- ✿ Nie użytkować narzędzia elektrycznego, którego nie można bezpiecznie włączyć i wyłączyć używając zainstalowanego włącznika. Użytkowanie takiego narzędzia jest niebezpieczne. Uszkodzony włącznik musi być naprawiony przez autoryzowany zakład naprawy.
- ✿ Narzędzie należy odłączyć od zasilania zanim przystąpi się do jego regulacji, wymiany oprzyrządowania lub konserwacji. Będzie to przeciwdziałać przypadkowemu uruchomieniu.
- ✿ Nie użytkowane narzędzia elektryczne należy uprzątnąć i schować je poza zasięgiem dostępu dzieci i osób niepowołanych. Narzędzie elektryczne w niedoświadczonych rękach może być niebezpieczne. Narzędzia elektryczne należy przechowywać w suchym i zabezpieczonym miejscu.
- ✿ Narzędzia elektryczne należy utrzymywać w dobrym stanie. Regularnie należy sprawdzać ustawienie części ruchomych i ich ruchomość. Sprawdzać, czy nie doszło do uszkodzenia osłon lub innych elementów, co może wpływać na bezpieczeństwo użytkowania narzędzia. Jeżeli narzędzie jest uszkodzone, przed kolejnym użytkowaniem należy spowodować jego naprawę. Wiele wypadków jest spowodowanych z powodu niewłaściwego stanu narzędzia.
- ✿ Przyrządy przeznaczone do cięcia muszą być ostre i czyste. Prawdłowo zadbane i naostrzone narzędzia ułatwiają wykonywanie pracy, przeciwdziałają wypadkom i praca z użyciem takich przyrządów jest łatwa w kontrolowaniu wykonywanej czynności. Zastosowanie innego oprzyrządowania, niż wymienione w instrukcji obsługi może spowodować uszkodzenie narzędzia i stanowić przyczynę wypadku.
- ✿ Narzędzia elektryczne ich oprzyrządowanie, przyrządy robocze należy stosownie z niniejszymi zaleceniami i w sposób przewidziany dla danego narzędzia elektrycznego, biorąc pod uwagę warunki wykonywanej pracy i jej rodzaj. Używanie narzędzia do innych celów może powodować powstanie zagrożenia.

Użytkowanie narzędzia zasilanego z akumulatora

- ✿ Przed włożeniem akumulatora należy upewnić się, że wyłącznik znajduje się w pozycji „0 – wyłączone”. Zainstalowanie akumulatora w narzędziu włączonym może skutkować wypadkiem.
- ✿ Do ładowania akumulatora należy używać ładowarki zalecanej przez producenta. Stosowanie ładowarki innego typu może skutkować uszkodzeniem akumulatora i powstaniem pożaru.
- ✿ Stosować akumulatory przeznaczone dla danego narzędzia. Stosowanie innych akumulatorów może powodować zranienie lub powstanie pożaru.
- ✿ Jeżeli akumulator nie jest użytkowany, należy przechowywać go w oddaleniu od przedmiotów metalowych, które mogłyby spowodować zwarcie biegunów akumulatora. Zwarcie w akumulatorze może skutkować poranieniem, poparzeniem jak również może spowodować powstanie pożaru.

- ✿ Z akumulatorami należy postępować ostrożnie. Nieostrożne obchodzenie się z akumulatorem może spowodować wyciek substancji chemicznej z akumulatora. Należy wystrzegać się kontaktu z tą substancją a jeżeli do tego dojdzie należy skażone miejsce splukać pod bieżącą wodą. Jeżeli substancja chemiczna dostanie się do oczu należy natychmiast udać się po pomoc medyczną. Substancja chemiczna z akumulatora może być przyczyną groźnego zranienia.

Serwis

- ✿ Samowolnie nie można wykonywać wymiany części, napraw i ingerować w budowę narzędzia. Naprawy należy powierzyć wykwalifikowanym pracownikom.
- ✿ Każda samowolna naprawa lub zmiana w budowie narzędzia jest niedopuszczalna bez zgody naszej firmy (w wyniku może nastąpić wypadek).
- ✿ Narzędzia elektryczne należy naprawiać w autoryzowanym zakładzie naprawczym. Należy stosować oryginalne lub zalecane części zamienne. Zapewnia to bezpieczeństwo użytkownika i narzędzia.

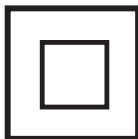
2. SYMBOLE



Niniejszy produkt został wyprodukowany zgodnie z obowiązującymi normami.



Przed uruchomieniem urządzenia należy dokładnie zapoznać się z instrukcją obsługi.



Podwójna izolacja.



Sprzęt ochronny dla oczu



Srzęć ochronny dla uszu



Nie wyrzucac

3. CHARAKTERYSTYKA OGÓLNA

OPIS I OZNACZENIE ELEMENTÓW

1. Włęcznik / wyłącznik
2. Tarcza szlifierska na sucho
3. Osłona koła
4. Osłona przeciwiwkrowa
5. Przezroczysty ekran
6. Wspornik przedmiotu obrabianego
7. Śruba regulacyjna
8. Otwór montażowy
9. Ściernica na mokro
10. Zbiornik wodny

Montaż maszyny

- ✿ Maszynę należy przykręcić do stołu warsztatowego.
- ✿ Zaznaczyć pozycję otworów montażowych (8) na stole warsztatowym.
- ✿ Wywierć otwory w każdej z zaznaczonych pozycji, dopasowując średnicę i głębokość otworów do zastosowanych śrub.
- ✿ Umieścić maszynę na stole warsztatowym i włożyć śruby w otwory montażowe.
- ✿ Mocno dokręcić śruby.

Wymiana ściernicy

- ✿ Aby wymienić suchą ściernicę, wykonaj następujące czynności:
- ✿ Zdjąć osłonę koła (3).
- ✿ Poluzować nakrętkę (11).
- ✿ Zdjąć zewnętrzny kołnierz (12) i starą ściernicę (2).
- ✿ Oczyszczyć kołnierze (12 i 13).
- ✿ Założyć nową ściernicę.
- ✿ Przyłożyć zewnętrzny kołnierz do szlifowania koła i umieścić nakrętkę na wrzecionie.

Dokładnie dokręć nakrętkę.

- * Wymienić osłonę koła.
- * Aby wymienić mokrą ściernicę, wykonaj następujące czynności:
- * Wyjmij zbiornik wody (10).
- * Poluzować nakrętkę (15).
- * Zdjąć zewnętrzny kołnierz (16) i starą ściernicę (9).
- * Oczyszczyć kołnierz (16 i 17).
- * Założyć nową ściernicę.
- * Przyłóż zewnętrzny kołnierz do ściernicy i umieść nakrętkę na wrzecionie.
- * Dokładnie dokręć nakrętkę.
- * Wymień zbiornik wody.



Zawsze odłączaj narzędzie od sieci przed wymianą ściernicy. Nigdy nie używaj pękniętej tarczy szlifierskiej. Natychmiast wymienić pękniętą ściernicę. Pęknięta tarcza szlifierska może pęknąć na kawałki podczas użytkowania i spowodować wypadki.

Montaż i regulacja osłony przeciwiskrowej

- * Osłona przed iskrami wymaga regularnej regulacji w celu kompensacji zużycia ściernicy.
- * Poluzować nakrętkę (19) i wykręcić śrubę (18).
- * Przytrzymaj osłonę przeciwiskrową (4) przy osłonie koła (3), jak pokazano.
- * Zamontować osłonę przeciwiskrową (4) na osłonie koła (3) za pomocą nakrętki (19) i śruby (18).
- * Ustaw odległość między osłoną przeciwiskrową a ściernicą (2) na możliwie najmniejszą wartość, maksymalnie 2 mm.
- * Dokręcić osłonę przeciwiskrową.
- * Przesuń ekran (5) do przodu.
- * Dokręcić nakrętkę (20).



Iskra chroni oczy i ręce przed iskrami lecącymi z przedmiotu obrabianego. Dlatego zawsze używaj osłony przeciwiskrowej.

Regulacja podparcia przedmiotu obrabianego

- ✿ Wspornik przedmiotu wymaga regularnej regulacji, aby zrównoważyć zużycie ściernicy.
- ✿ Poluzować śrubę regulacyjną (7).
- ✿ Dostosuj odległość między wspornik przedmiotu obrabianego (6) i szlifowanie
- ✿ koło (2) do najmniejszej możliwej wartości, maksymalnie 2 mm. Dokręcić śrubę regulacyjną.

Instrukcja użycia

- ✿ Przed włączeniem maszyny sprawdź, czy wszystkie śruby i nakrętki są dobrze dokręcone i czy ściernica może się swobodnie obracać.
- ✿ Zawsze szlifuj przednią część ściernicy. Nigdy nie przeciążaj maszyny, ponieważ tarcza szlifierska zatrzyma się.
- ✿ Maszyna nie jest przeznaczona do stałego użytku. Upewnij się, że urządzenie nie jest przegrzane. Po korzystaniu z urządzenia przez 30 minut pozwól mu ostygnąć do temperatury otoczenia.

Szlifowanie na sucho

- ✿ Ściernica sucha (2) nadaje się do szlifowania zgrubnego.
- ✿ Do szlifowania twardych metali używaj ściernicy wykonanej z miękkiego kamienia.
- ✿ Do szlifowania miękkich metali używać tarczy szlifierskiej wykonanej z twardego kamienia.
- ✿ Pomiędzy czasami regularnie chłodzić narzędzia do szlifowania za pomocą płynu chłodzącego. Regularnie reguluj osłonę przeciwwiskrową i wspornik przedmiotu obrabianego, aby wyrównać zużycie ściernicy.

Mielenie na mokro

- ✿ Ściernica na mokro (9) nadaje się do drobnego szlifowania. Podczas użytkowania ściernica powinna pracować w wodzie.
- ✿ Przed użyciem sprawdź, czy kurek spustowy (14) został prawidłowo umieszczony, i napełnij zbiornik wody (10) aż do ok. 1 cm poniżej krawędzi (21) z domową wodą.
- ✿ Podczas użytkowania regularnie sprawdzaj poziom wody.
- ✿ W razie potrzeby dodaj wodę.
- ✿ Po użyciu wyjąć kurek spustowy, aby opróżnić zbiornik wody.

Włączanie i wyłączanie

- ✿ Aby włączyć urządzenie, ustaw włącznik / wyłącznik (1) w pozycji „I”.
- ✿ Aby wyłączyć urządzenie, ustaw włącznik (1) w pozycji „0”.

4. DANE TECHNICZNE

ELEKTRYCZNY PISTOLET NATRYSKOWY:	
Napięcie	230V/50Hz
Moc:	250 W S2 30Min
Prędkość bez obciążenia:	2960 / min
Poziom ciśnienia akustycznego	80.7 dB(A)
Szlifowanie na sucho	150 x 20 * 12,7 mm
Szlifowanie na mokro	200 x 40 x 20 mm
Poziom mocy akustycznej	91.7 dB(A)
Klasa ochrony	I
Waga	10,2kg

Instrukcja użytkowania - tylko wersja językowa.

Zastrzega się możliwość zmiany tekstu i parametrów technicznych.

Zmiany tekstu, designu i danych technicznych mogą być dokonywane bez uprzedniego ostrzeżenia.

Zastrzegamy sobie prawo do ich zmiany.

Usuwanie usterek

Okazuje się, że część pojawiających się awarii użytkownik może rozwiązać samodzielnie. Dlatego sprawdź posiadany produkt przy użyciu poniższej sekcji. W większości przypadków problem można szybko rozwiązać.

OSTRZEŻENIE!

Wykonaj jedynie czynności opisane w niniejszej instrukcji! Wszystkie dodatkowe kontrole, prace konserwacyjne i naprawcze mogą być wykonywane jedynie przez autoryzowany serwis lub wykwalifikowanego specjalistę, jeśli problem nie może być samodzielnie rozwiązany!

Problem	Możliwa przyczyna	Rozwiązanie
1. Produkt nie uruchamia się	1.1 nie jest podłączony do źródła zasilania 1.2 Przewód zasilający jest uszkodzony 1.3 Inna usterka elektryczna produktu	1.1 Podłącz do zasilania 1.2 Sprawdź przez specjalistę elektryka 1.3 Sprawdź przez specjalistę elektryka
2. Produkt nie osiąga pełnej mocy	2.1 przedłużacz nie nadaje się do współpracy z tym produktem 2.2 Źródło zasilania (np. Generator) ma zbyt niskie napięcie 2.3 Otwory wentylacyjne są zablokowane	2.1 Użyj odpowiedniego przedłużacza 2.2 Podłącz do innego źródła zasilania 2.3 Oczyszcz otwory wentylacyjne
3. Niezadowolający wynik	3.1 Dysk jest zużyty / uszkodzony 3.2 Dysk nie nadaje się do obrabianego materiału	3.1 Wymień na nowy 3.2 Zastosuj właściwe dyski
4. Nadmierne wibracje lub hałas	4.1 Dysk jest zużyty / uszkodzony 4.2 Śruby / nakrętki są luźne	4.1 Wymień na nowy 4.2 Dokręć śruby / nakrętki

5. LIKWIDACJA

ZALECENIA I INFORMACJE O POSTĘPOWANIU Z ZUŻYTYM OPAKOWANIEM.

Zużyty materiał z opakowania przekazuje się na gminne wysypisko odpadów.

LIKWIDACJA ZUŻYTYCH URZĄDZEŃ ELEKTRYCZNYCH I ELEKTRONICZNYCH



Ten symbol na produktach albo w dokumentach przewodnich oznacza, że zużyte wyroby elektryczne i elektroniczne nie mogą być dodawane do zwykłych odpadów komunalnych. W celu właściwej likwidacji, odzysku i recyklingu trzeba je przekazywać w ustalone zbiorcze miejsca. Alternatywnie w niektórych krajach Unii Europejskiej albo w innych krajach europejskich można zwrócić takie wyroby lokalnemu sprzedawcy przy zakupie nowego, ekwiwalentnego produktu. Właściwa likwidacja tego produktu pomoże zachować cenne źródła naturalne i pomaga w zapobieganiu negatywnym wpływom na środowisko naturalne i zdrowie ludzi, które mogłaby spowodować niewłaściwa likwidacja odpadów. Szczegółowych informacji udziela Urząd gminy albo najbliższe wysypisko odpadów. Przy niewłaściwej likwidacji tego rodzaju odpadu, zgodnie z przepisami krajowymi, może dojść do nałożenia mandatu karnego.

Dotyczy podmiotów gospodarczych w Unii Europejskiej

Jeżeli trzeba zlikwidować urządzenia elektryczne i elektroniczne, to niezbędne informacje należy uzyskać od swojego sprzedawcy albo dostawcy.

Likwidacja w innych krajach poza Unią Europejską

Ten symbol obowiązuje w Unii Europejskiej. Jeżeli chcemy ten wyrób zlikwidować, to niezbędne informacje o właściwym sposobie likwidacji otrzymujemy od urzędów lokalnych albo od swojego sprzedawcy.



Ten wyrób spełnia wszystkie podstawowe wymagania dyrektyw UE, które go dotyczą.

Zmiany w tekście, designie i specyfikacji technicznej mogą nastąpić bez wcześniejszego uprzedzenia i zastrzegamy sobie prawo do ich wprowadzania.