



FZR 5611 B

---

English .....	3 - 22
Čeština.....	23 - 42
Slovenščina.....	43 - 62
Magyarul.....	63 - 80
Polski .....	81 - 104

# Petrol Lawnmower

## USER'S MANUAL

**Thank you for purchasing this rotary petrol lawnmower. Before you start using it, please, carefully read this user's manual and save it for possible future use.**

### TABLE OF CONTENTS

1. GENERAL SAFETY INSTRUCTIONS .....	4
Important safety notice .....	4
Packaging .....	4
User's Manual .....	4
2. EXPLANATION OF INSTRUCTION LABELS ON THE MACHINE .....	5
3. DESCRIPTION OF THE LAWNMOWER .....	7
4. ASSEMBLY/PREPARATION .....	7
Taking the lawnmower out of the cardboard packaging .....	7
5. ASSEMBLING THE LAWNMOWER .....	8
6. BEFORE STARTING THE LAWNMOWER .....	9
Adding oil .....	9
Adding fuel .....	9
7. CONTROLLING AND OPERATING THE LAWNMOWER .....	10
Starting the lawnmower .....	10
Controlling travel .....	11
Application range for the lawnmower .....	11
Mowing with the grass catcher .....	11
Mowing with rear discharge .....	11
Mowing with side discharge .....	11
Mulching .....	12
Setting the mowing height .....	12
Replacing the mowing blades .....	12
Changing the motor oil .....	12
8. SAFETY INSTRUCTIONS .....	13
General safety instructions .....	13
Instructions for use .....	13
9. MAINTENANCE .....	14
Lawn care .....	14
Maintenance .....	15
Service .....	16
Warranty does not cover .....	16
Storage .....	16
10. TECHNICAL SPECIFICATIONS .....	17
11. REGULAR MAINTENANCE SCHEDULE .....	18
12. DETECTION AND TROUBLESHOOTING .....	19
13. DECLARATION OF CONFORMITY .....	20
14. DISPOSAL .....	21

# 1. GENERAL SAFETY INSTRUCTIONS

## IMPORTANT SAFETY NOTICE

- ✿ Carefully unpack the product and take care not to throw away any part of the packaging before you find all the parts of the product.
- ✿ Store the machine in a dry place out of reach of children.
- ✿ Read all warnings and instructions. Not following warnings or instructions may lead to injury by electrical shock, a fire and/or serious injuries.

## PACKAGING


The product is packed in a package that prevents damage during transport. This package is a resource and so can be handed over for recycling.

## USER'S MANUAL

Before you start working with the machine, read the following safety and usage instructions.

Acquaint yourself with the operating elements and the correct use of the machine. Keep the user's manual in a safe place where it can be easily retrieved for future use. Save the original packaging, including the internal packing material, warranty card and proof of purchase receipt at least for the duration of the warranty.

If you need to ship this machine, pack it in the original cardboard box to ensure maximum protection during shipping or transport (e.g. when moving or when you need to send this product for repair).

 **Note:** If you hand over the machine to somebody else, do so together with the user's manual. Following the instructions in the included user's manual is a prerequisite for the proper use of the machine. The user's manual also contains operating, maintenance and repair instructions.

**The manufacturer takes no responsibility for accidents or damages resulting from not following the instructions in this manual.**

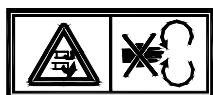
## 2. EXPLANATION OF INSTRUCTION LABELS ON THE MACHINE



Before putting into operation, please carefully read the user's manual.



Keep other persons away from the work area.



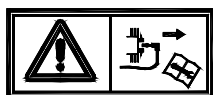
Attention, rotating blades! Protect yourself against the danger of injury to limbs.



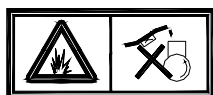
Emission of toxic gasses. Do not use the petrol lawnmower in enclosed or unventilated areas.



Hot surfaces, risk of burns!



Before carrying out maintenance, turn off the engine and disconnect the spark plug.



Never add fuel while the engine is running.



Indicates that there is a risk of injury to persons, death or damage to the machine if instructions are not followed



Use hearing protection.

Use eye protection.

Use breathing organ protection.



Always maintain a distance from moving parts.



Travel along the slope on contours, not up and down.



Conforms to all relevant European directives.



Petrol is extremely flammable and therefore allow the engine to cool down for 2 minutes before adding more fuel.

### 3. DESCRIPTION OF THE LAWNMOWER

1. Travel lever
2. Start / brake lever
3. Top part of the handle
4. Quick-release screws
5. Bottom part of the handle
6. Air filter cover
7. Fuel primer bulb – Primer
8. Side discharge deflector
9. Cap with oil dipstick
10. Mowing height adjustment lever
11. Grass catcher
12. Grass catcher cover
13. Handle panel



Fig. 1

### 4. ASSEMBLY/PREPARATION

Before assembling and starting the petrol lawnmower, first carefully read the entire user's manual and the instructions contained in it.

**⚠ IMPORTANT INFORMATION:** The lawnmower is supplied **WITHOUT FUEL AND OIL** in the engine. Your new lawnmower was tested at the production plant meaning that a small amount of residual oil may be in the engine.

#### **TAKING THE LAWNMOWER OUT OF THE CARDBOARD PACKAGING**

Take the lawnmower out of the cardboard packaging and check that no loose parts are left in the packaging.

## 5. ASSEMBLING THE LAWNMOWER

**⚠ IMPORTANT INFORMATION:** Carefully unfold the lawnmower handle, being careful not to pinch or damage the lawnmower's control cables.

### 1. ASSEMBLING THE HANDLE

1. Insert the bottom part of the handle (Fig. 2 – point 1) into the respective holes on the lawnmower (see arrow) and secure in place with screw and nut.
2. Adjust the handle height for the lower installation according to the selected position, Pic. 2b.
3. Attach the top part of the handle (Fig. 2a – point 2) to the bottom part of the handle using the included screws with the quick coupler and wing nuts (Fig. 2c).

Fig. 2a

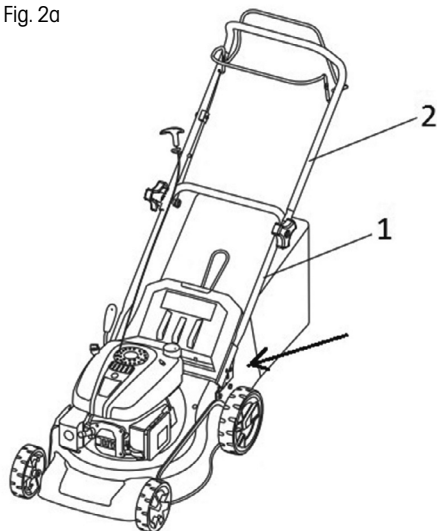


Fig. 2b

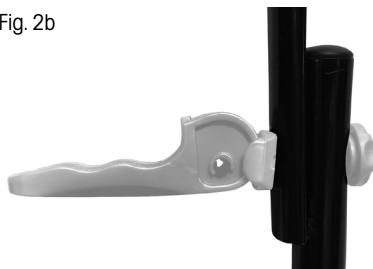


Fig. 2c



### 2. INSTALLING THE HANDLE PANEL

Attach the plastic handle panel using the included screws (fig. 3).

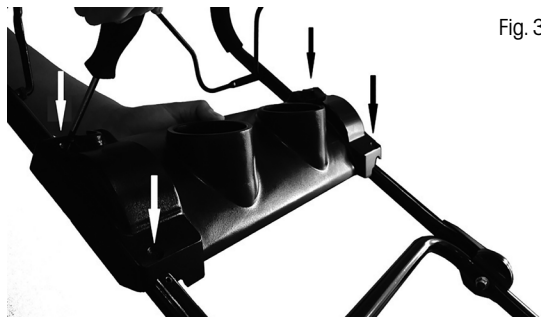


Fig. 3



### 3. ASSEMBLING THE GRASS CATCHER

Secure the plastic hooks at the end of the textile part of the grass catcher into the steel frame (fig. 4).



Fig. 4

**⚠ IMPORTANT NOTICE:** The grass catcher is equipped with a full indicator. It is a plastic flap at the rear of the grass catcher. When the grass catcher is not full, the flap is raised. When it closes, it is necessary to tip out the grass catcher.

## 6. BEFORE STARTING THE LAWNMOWER

### ADDING OIL

**The lawnmower is supplied without motor oil. Before first start up, add motor oil SAE30 or 15W-40 (approx 600 ml) according to the following instructions.**

1. When pouring in the oil, place the lawnmower on a level surface.
2. Pull the cap with the oil dipstick out of the oil refill hole (Fig. 5).
3. After adding oil, put the dipstick back into the hole and tighten it.
4. The oil level must be between the upper (MAX) and lower (MIN) limit (Fig. 5).

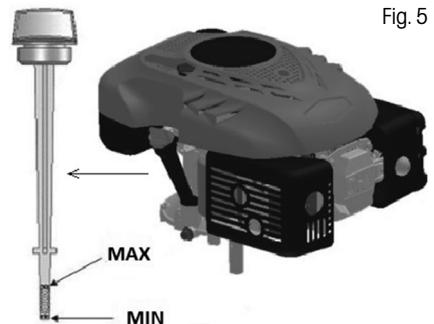


Fig. 5

**⚠ Caution!** DO NOT OVERFILL the oil tank, otherwise a large amount of smoke will come out of the exhaust when the lawnmower is started up.

**⚠ IMPORTANT INFORMATION:** Check the oil level before every use of the lawnmower. Add oil if necessary. Add oil up to the MAX level mark on the oil dipstick.

**⚠ IMPORTANT INFORMATION:** Replace the oil after the first 5 hours of operation and subsequently after every 25 hours of operation.

### ADDING FUEL

**The suitable type of fuel for this engine is NATURAL 95**

After unscrewing the fuel tank cap, add the fuel, pouring it in all the way up to the collar of the fuel tank but do not overfill it.

Always add fresh, clean and approved lead-free petrol with an octane rating of at least 95.

**⚠ Caution!** In the event that you spill any oil or fuel on the lawnmower when refilling, wipe it away immediately. Do not store or add fuel or handle it in any way in the vicinity of an open fire.

**⚠ Caution!** Fuels mixed with alcohol or fuels with ethanol or methane additives may bind moisture to themselves, which may result in separation during storage and the formation of acids. Subsequently during storage the acid vapours may damage the fuel system of the lawnmower engine. These fuels must not be used in the lawnmower.

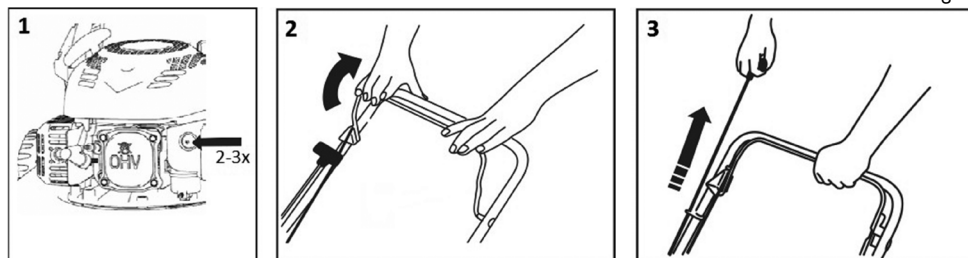
**⚠ IMPORTANT INFORMATION:** When not using the lawnmower for longer than 30 days, drain the fuel tank, start the engine and let it run until the fuel lines and the carburettor are empty (the engine will stop on its own). This will prevent future engine problems. Before using it again, add fresh fuel into the fuel tank.

## 7. CONTROLLING AND OPERATING THE LAWNMOWER

### STARTING THE LAWNMOWER

1. If the engine is not warmed up, press the fuel primer bulb 2-3 times (Fig. 6 – point 1).  
If the engine is already warm, it is not necessary to use the fuel primer bulb.
2. Pull the start/brake lever towards the handle and hold it there (Fig. 6 – point 2), then pull on the pull cord (Fig. 6 – point 3). The engine should start up after 3-4 pulls.
3. The engine is turned off by releasing the start/brake lever.

Fig. 6

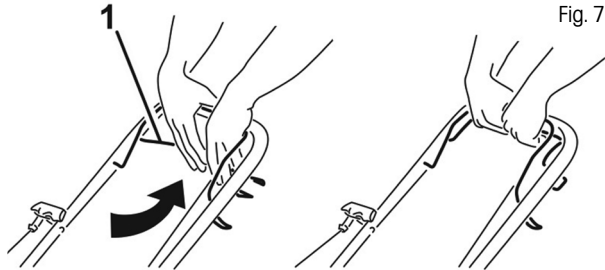


**⚠ Caution!** A small amount of smoke may be emitted when the engine is started up for the first time as the protective layers in the engine are burnt off. This is completely normal and does not constitute a problem.

## CONTROLLING TRAVEL

The travel is controlled using the travel lever (Fig. 7 – point 1). When the lever is pulled to the handle, the lawnmower will start moving.

To stop, release the lever. This lawnmower has one constant speed.



## APPLICATION RANGE FOR THE LAWNMOWER

Mowing with collection of grass clippings in a grass catcher

Mowing with rear discharge of grass clippings

Mowing with side discharge

Mulching - mowing with loose placement of grass clippings on the lawn

**⚠ Caution! Do not use the mower on slopes with an inclination of more than 20°, otherwise motor seizure might occur!**

## MOWING WITH THE GRASS CATCHER

When the grass catcher is installed, grass clippings are discharged into the grass catcher.

**⚠ Caution!** In case of poor mown grass catching, increase the mowing height and check if the lawn is wet.

## MOWING WITH REAR DISCHARGE

Without the grass catcher installed, the grass catcher cover serves as a deflector that directs the movement of the grass clippings towards the ground. A row of grass clippings is thereby formed behind the lawnmower.

## MOWING WITH SIDE DISCHARGE

**⚠ Caution!** Attach and remove the side discharge deflector only with the engine turned off.

Use your hand to lift the side discharge cover and attach the side discharge deflector (fig. 8). In order to mow with side discharge, it is necessary to install a mulching plug into the discharge chute.

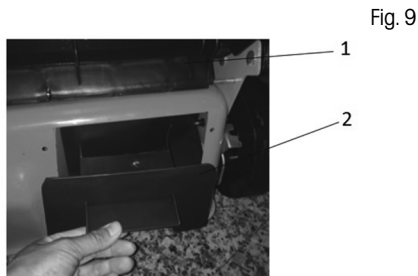


## MULCHING

**⚠ Caution!** Attach and remove the mulching plug only with the engine turned off.

**⚠ Caution!** Use only original mulching accessories when mulching.

1. Remove the grass catcher and hold the plastic grass catcher cover with your hand (Fig. 9 – point 1).
2. Install the mulching plug into the discharge chute (Fig. 9 – point 2) and make sure that the plug is seated firmly.



**⚠ IMPORTANT INFORMATION:** Do not mulch tall grass all at once, this will prevent overloading the lawnmower mechanism and the engine.

## SETTING THE MOWING HEIGHT

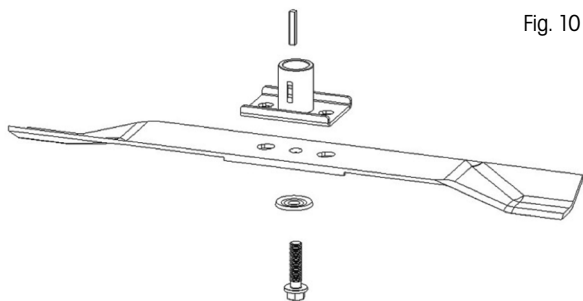
The mowing height is set centrally using the central mowing height adjustment lever (Fig. 1 – point 10). You can select in the range of 25 to – 75 mm. The middle mowing height is the most suitable for the majority of lawns. Lawn damage may result when the lowest height is set.

**⚠ Caution!** For maximum effectiveness, please always trim the grass by 1/3 of its length only. Mow the overgrown grass gradually and after each mowing, lower the height by one step. To keep quality lawn, do not use the lowest mowing height setting.

## REPLACING THE MOWING BLADES

**⚠ Caution!** For this task, we recommend that you contact an authorised service centre.

If you wish to replace the mowing blade, remove the bolt (Fig. 10). Perform the installation according to the provided picture. Tighten the screw. The tightening torque is 40 Nm. When replacing the the blade, replace the fastening bolt also.



## CHANGING THE MOTOR OIL

**⚠ Caution!** For this task, we recommend that you contact an authorised service centre.

The drain plug is located under the engine (Fig. 11 – point 1). Place a suitable container for catching the used oil under the engine and remove the plug. Tilt the lawnmower so that all the oil can drain from the oil tank.

After draining the oil, put the plug back into the hole, making sure that the plug is securely in its place and wipe away any drops of spilled oil.

Add type SAE30 or 15W-40 oil into the oil tank.

When the oil dipstick is inserted into the hole and screwed in, the oil level should be between the Min and Max marks (Fig. 11). Do not overfill the oil tank.

Start the engine and allow it to run for a short time.

Stop the engine, wait 1 minute and remeasure the oil level in the oil tank. Add oil to the required level if necessary.

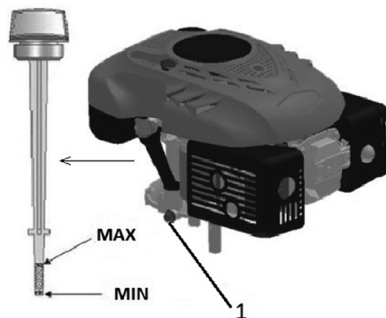


Fig. 11

## 8. SAFETY INSTRUCTIONS

### GENERAL SAFETY INSTRUCTIONS

- ⚠ This product is used exclusively for mowing grass. Do not use it for any other purposes than those intended. Otherwise there is a risk of damaging it or an injury.
- ⚠ Never allow children or persons who are not acquainted with the contents of this user's manual to work with the machine.
- ⚠ The person operating the lawnmower is responsible for the safety of persons in the work area. Never operate the lawnmower in the near vicinity of other people, children or freely roaming animals.
- ⚠ Before starting mowing, check the terrain where the lawnmower will be used and remove stones, wires, sticks, splinters, bones and other foreign objects, which could become caught in it or deflected or cause injuries.

### INSTRUCTIONS FOR USE

- ⚠ All nuts, pins and bolts must be properly tightened so that the machine is in a safe and operational condition.
- ⚠ Never use the lawnmower without the grass catcher or protective cover.
- ⚠ Never use the lawnmower with loose mowing blades. Always check in advance that all respective bolts are securely tightened. Blunt blades must be sharpened evenly. Damaged blades must be replaced.
- ⚠ When working with the lawnmower, wear long pants and solid footwear.
- ⚠ Never start the lawnmower in enclosed or poorly ventilated areas where fumes could accumulate. Emissions from the engine contain carbon monoxide, which is life threatening.
- ⚠ Work only during sufficient light conditions (in daylight or sufficient artificial lighting).
- ⚠ Do not use the lawnmower when it is raining or if the grass is wet.
- ⚠ Proceed especially carefully when mowing in elevated terrain (on a slope). Always mow perpendicular to the slope, parallel to the contour, and not directly up/down.
- ⚠ Under no condition leave the lawnmower running without supervision; if you leave the lawnmower, turn off the engine.

- ✿ Never lift the rear part of the lawnmower when starting it and always keep your limbs away from the cutting deck or the rear grass ejection chute while the engine is running.
- ✿ Never modify the engine's speed setting.
- ✿ On lawnmowers with travel, release the travel lever before starting the engine.
- ✿ Never transport the lawnmower while its engine is running.
- ✿ Stop the engine and disconnect the spark plug in the following cases:
  - when performing any task whatsoever under the mowing deck or in the rear grass ejection chute.
  - when performing maintenance, repairs or inspecting the machine.
  - before carrying, lifting or transporting the lawnmower.
  - when you leave the lawnmower without supervision or you are getting ready to adjust the mowing height.
  - before removing and emptying the grass catcher.
  - when an impact with a foreign object occurs, stop the engine and carefully inspect to ensure that there is no damage. In the event of damage, take the lawnmower to a specialised service centre for repairs.

**⚠ ATTENTION:** The mowing blade continues to rotate for several seconds after the engine is turned off.

- if the lawnmower is vibrating abnormally (immediately identify and remedy the cause of the vibration).
- For the purpose of ensuring safe operation, regularly check that the pins, bolts and nuts on the lawnmower are securely tightened.

**⚠ ATTENTION:** FUEL IS A VERY FLAMMABLE LIQUID.

- ✿ Store fuel in a suitable container.
- ✿ Only add fuel in an open and well ventilated location. When handling fuel, do not smoke or use a mobile phone.
- ✿ Only add fuel when the engine is turned off. Never open the fuel tank or add fuel if the engine is hot or if it is running.
- ✿ If fuel is spilled, do not start the engine. Take the lawnmower away from the location where the fuel was spilled and take care to avoid possible ignition. Continue with work only after the spilled fuel has evaporated and the fuel fumes have dissipated;
- ✿ After adding fuel, securely tighten the fuel tank cap and the cap on the fuel canister.

**⚠ ATTENTION:** Before carrying out maintenance or repairs, stop the engine and disconnect the spark plug.

## 9. MAINTENANCE

### LAWN CARE

- ✿ Various forms of care are required depending on the type of grass area.
- ✿ Therefore, always read the instructions included on seed packages with respect to the mowing height for the growing conditions in the given locality.
- ✿ It is necessary to always keep in mind that the larger part of grass consists of a stem and one or more leaves. When the leaves are cut off completely, the lawn is damaged and the renewal of growth will be much more difficult.

- ☼ The following instructions generally apply:
  - excessively low mowing causes disruption to the roots and subsequently “spotty” appearance;
  - in summer, mowing must be higher to prevent the soil from drying out;
  - mowing wet grass may result in a lower efficiency of the blade due to grass catching on the blade and grass being ripped out of the ground;
  - in the event of exceptionally tall grass it is appropriate to perform the first mow at the maximum permitted mowing height of the machine and then mow again only after two or three days.
- ☼ The lawn will have a better appearance when it is mowed regularly over its entire area at the same height with alternating mowing directions.

## MAINTENANCE

**⚠ Caution!** Always tilt the mower towards the handle side only (rear of the mower).

- ☼ All nuts, pins and bolts must be properly tightened so that the machine is in a safe and operational condition. Regular maintenance is the basic prerequisite for ensuring safety of the user, maintain the lawnmower’s operating condition and high performance.
- ☼ Never store a machine with petrol in the fuel tank inside a building where the fumes could come within range of an open fire, sparks or sources of high temperature
- ☼ Before storing in any enclosed area, allow the engine to cool down.
- ☼ To reduce the risk of a fire, ensure that the lawnmower and in particular the engine, exhaust muffler, battery and also the location of spare fuel storage are free of grass, leaves or excessive amounts of lubricant.
- ☼ Regularly inspect the condition of the deflector and the grass catcher; replace if damaged.
- ☼ Drain the fuel in a well ventilated area when the engine has cooled down.
- ☼ When removing or installing the mowing blade, use thick work gloves.
- ☼ It is necessary to check the balance of the mowing blade every time that it is sharpened.

**⚠ ATTENTION:** Before carrying out maintenance or repairs, stop the engine and disconnect the spark plug.

- ☼ Regularly inspect the lawnmower and ensure that all grass deposits are removed from the underside of the chassis.
- ☼ Regularly lubricate the axle of the chassis and the bearings using a suitable lubricant.
- ☼ Regularly inspect the condition of the blades because they have a significant effect on the performance of the lawnmower. Blades should always be sharp and balanced.
- ☼ In regular intervals, check that all nuts and bolts are tightened. Nuts and bolts that are worn out or incorrectly tightened may cause serious damage to the engine or the frame.
- ☼ If the blade strongly impacts an obstacle, stop the lawnmower and take it to an authorised service centre.
- ☼ **BLADE:** the blade is made from pressed steel. To achieve the best possible mowing results, regularly sharpen the blades, approximately after every 25 hours of operation. Check that the blade is always correctly balanced. To do this, insert a steel axle (with a diameter of 2-3 mm) into the middle hole. If it is correctly levelled, the axis will remain in the horizontal position.
- ☼ If the blade does not remain in the horizontal position, replace it.
- ☼ When removing the blade, screw out the bolt, check the load bearing part of the blade. If the parts are worn out or damaged, replace them.

**⚠ ATTENTION:** Always use only original spare parts. Poor quality spare parts may cause serious damage to the lawnmower and create a safety hazard.

## SERVICE

- ✿ In the event that after purchasing the product you find any kind of defect, contact the service department. When using the product, follow the instructions contained in the included user's manual.
- ✿ A complaint will not be accepted if you modified the product or if you did not follow the instructions in the user's manual.

## WARRANTY DOES NOT COVER

- ✿ Normal wear and tear of operating parts of the machine as a result of its use
- ✿ Servicing tasks related to standard maintenance of the machine (e.g. cleaning, lubrication, tuning, etc.). Defects caused by external effects (e.g. climatic conditions, dustiness, inappropriate use, etc.)
- ✿ Mechanical damage resulting from the machine being dropped, impact, etc.
- ✿ Damages resulting from unprofessional handling, overloading, use of incorrect parts, inappropriate tools, etc.
- ✿ On returned products that were not properly protected against mechanical damage during transport, the risk of potential damage is borne exclusively by the owner.

## STORAGE

- ✿ If you will not be using the machine for an extended period of time, store it according to the following instructions. This will extend the lifetime of the machine.
- ✿ Fully drain fuel from the fuel tank and the carburettor.
- ✿ Screw out the spark plug and pour a small amount of motor oil into the socket. Gently pull the pull cord 2 to 3 times.
- ✿ Use a clean cloth to clean the exterior surfaces. Store the machine in a clean dry location.



## 10. TECHNICAL SPECIFICATIONS

Engine	XP200
Engine type	OHV, air cooled, 4-stroke
Rated power	3.5 kW
Engine rpm	2900 rpm
Displacement	196 cm <sup>3</sup>
Starting	Pull cord
Fuel tank volume	1.0 litres
Recommended fuel	Petrol - lead-free, at least 95 octane
Oil tank volume	0.6 l
Recommended oil	SAE30, 15W-40
Mowing height adjustment	Central, 6 positions
Adjustable mowing height range	25-75 mm
Mowing coverage	560 mm
Wheel size	Front 200 mm, rear 280 mm
Grass catcher capacity	75 l
Chassis	steel
Declared noise level	98 dB (A)
Maximum vibration level	5.822 m/s (K=1.5)
Weight	33.9 kg

Amendments to text and technical parameters are reserved.

Changes in the text, design and technical specifications may be made without prior notice and we reserve the right to make such changes.

# 11. REGULAR MAINTENANCE SCHEDULE

<b>Always carry out the regular maintenance schedule</b> at a monthly or hourly interval – whichever comes first		<b>Before each use</b>	<b>After 5 hours of operation for new machines</b>	<b>Every 6 months or after 25 hours of operation</b>	<b>Every year</b>
Cleaning the machine, tightening the connecting screws		X			
Engine oil	Level check	X			
	Replacement		X	X	
Air filter	Inspection	X			
	Cleaning			X	
	Replacement				X
Spark plug	Inspecting & Cleaning			X	
	Replacement				X
Checking the mowing mechanism	Inspection				X(*)
Idling	Checking & Adjusting				X(*)
Valve movement	Checking & Adjusting				X(*)
Combustion chamber	Cleaning				X(*)
Fuel lines	Inspecting & Cleaning				X(*)
General preventative inspection					X(*)

\*entrust this maintenance to an authorized service centre

**⚠ Caution!** If the mower is used in arduous or dusty conditions, change the oil and clean the air filter at more frequent intervals

## 12. DETECTION AND TROUBLESHOOTING

Problem	Probable cause	Procedures
Unable to start the engine	Choke valve damper in wrong position	Move the choke lever to the correct position
	The fuel tank is empty	Fill the fuel tank with fuel
	The air filter is dirty	Clean the air filter
	Loose spark plug	Tighten the spark plug to 25-30 Nm
	The ignition cable is loose or disconnected from the spark plug	Install the ignition cable to the spark plug
	Incorrect gap between spark plug electrodes	Install a new spark plug with the correct gap between the electrodes
	Faulty ignition module	Contact the repair shop
The engine is difficult to start or loses power	Dirt, water or old fuel in the tank	Drain the fuel and clean the tank. Fill the tank with fresh clean fuel
	Clogged air vent in fuel tank cap	Clean or replace the fuel filler cap
	The air filter is dirty	Clean the air filter
	Dirt, water or old fuel in the tank	Drain the fuel and clean the tank. Fill the tank with fresh clean fuel
	Clogged air vent in fuel tank cap	Clean or replace the fuel filler cap
	The air filter is dirty	Clean the air filter
The engine runs irregularly	Faulty spark plug	Install a new spark plug with the correct gap between the electrodes
	Incorrect gap between the electrodes	Set the gap between the electrodes to 0.7 - 0.8 mm
	The air filter is dirty	Clean the air filter
The engine is idling poorly	The air filter is dirty	Clean the air filter
	The air gaps in the engine cover are clogged	Remove debris from the gaps
	The cooling fins and air passages below the engine fan are clogged	Remove debris from cooling fins and air passages
The engine stops at high speed	The gap between the spark plugs is too small	Set a gap of 0.7 to 0.8 mm
The motor is overheating	Limited airflow	Remove any debris from the gaps on the engine cover, fan cover, and air passages
	Unsuitable spark plug	Install a new spark plug with the correct gap between the electrodes
The mower vibrates violently	The cutting unit is loose	Tighten the mower blade
	The cutting unit is not balanced	The mower blade must be balanced
	Bent crankshaft	Contact the repair shop

**FAST**<sup>®</sup>

**FAST ČR, a.s.**  
 Černokostecká 1621, 251 01 Říčany, Czech Republic  
 tel.: +420 323 204 111, fax: +420 323 204 110

## Declaration of Conformity

**Product/ brand:** Gasoline powered lawnmower/ **FIELDMANN**

**Type/ model:** **FZR 5611-B**  
 196 cm<sup>3</sup>; 3,5kW/ 2900 min<sup>-1</sup>, Cutting width 560mm, Lpa 78dB(A), Lwa 98dB(A)

**Manufacturer:** FAST ČR, a.s.  
 Černokostecká 2111, 100 00 Praha 10, Czech Republic  
 VAT no: CZ26726548

This declaration of conformity is issued under the sole responsibility of the manufacturer.

The object of the declaration described above is in conformity with the relevant Union harmonisation legislation:

Directive Machinery 2006/42/EC  
 Directive EMC 2014/30/EU  
 Directive Noise 2000/14/EC + 2005/88/EC  
 Directive Emission of gaseous 2016/1628/EU  
 Directive RoHS 2015/863/EU

The relevant harmonised standards and the other technical specifications:

EN ISO 5395-1:2013+A1  
 EN ISO 5395-2:2013+A1+A2  
 EN ISO 14982:2009  
 EN ISO 3744:1995  
 ISO 11094:1991



**Place of issuance:** Prague

**Name:** Ing. Zdeněk Pech  
 Chairman of the Board

**Date of issuance:** 20. 8. 2019

**Signature:**

**FAST**<sup>®</sup> FAST ČR, a.s. <sup>®</sup>  
 Černokostecká 1621, 251 01 Říčany  
 IČO: 26726548 tel.: +420/ 323 204 111  
 DIČ: CZ26726548 fax: +420/ 323 204 110

IČO: 26 72 65 48, DIČ: CZ-26 72 65 48

**Bankovní spojení:** Komerční banka Praha 1, č.ú. 89309011/0100, Česká spořitelna Praha 4, č.ú. 2375682/0800, ČSOB Praha 1, č.ú. 8010-0116233383/0300

## 14. DISPOSAL

### **INSTRUCTIONS AND INFORMATION REGARDING THE DISPOSAL OF USED PACKAGING MATERIALS**

Dispose of used packaging material at a site designated for waste in your municipality.



The machine and its accessories are manufactured from various materials, e.g. metal and plastic.

Take damaged parts to a recycling centre. Inquire at the relevant government department.



This product meets all the basic requirements of EU directives that apply to it.

Changes in the text, design and technical specifications may be made without prior notice and we reserve the right to make these changes.

Translation of the original user's manual.



# Benzínová sekačka na trávu

## NÁVOD K OBSLUZE

**Děkujeme vám, že jste si zakoupili tuto zahradní benzínovou rotační sekačku. Než ji začnete používat přečtěte si, prosím, pozorně tento návod k obsluze a uschovejte jej pro případ dalšího použití.**

## OBSAH

1. VŠEOBECNÉ BEZPEČNOSTNÍ PŘEDPISY .....	24
Důležitá bezpečnostní upozornění .....	24
Obal .....	24
Návod k použití .....	24
2. VYSVĚTLENÍ ŠTÍTKŮ S POKYNY NA STROJI .....	25
3. POPIS SEKAČKY .....	27
4. SESTAVENÍ/PŘÍPRAVA .....	27
Vyměte sekačku z kartonového obalu .....	27
5. SESTAVENÍ SEKAČKY .....	28
6. PŘED SPUŠTĚNÍM SEKAČKY .....	29
Nalítí oleje .....	29
Doplnění paliva .....	29
7. OVLÁDÁNÍ A PROVOZ SEKAČKY .....	30
Start sekačky .....	30
Ovládání pojezdu .....	31
Rozsah použití benzínové sekačky .....	31
Sečení se sběrem trávy do koše .....	31
Sečení se zadním výhozem .....	31
Sečení s bočním odhozem .....	31
Mulčování .....	32
Nastavení výšky sečení .....	32
Výměna žacích nožů .....	32
Výměna motorového oleje .....	32
8. BEZPEČNOSTNÍ POKYNY .....	33
Všeobecné bezpečnostní pokyny .....	33
Pokyny k používání .....	33
9. ÚDRŽBA .....	34
Péče o trávník .....	34
Údržba .....	35
Servis .....	36
Záruka se nevztahuje .....	36
Uskladnění .....	36
10. TECHNICKÉ ÚDAJE .....	37
11. INTERVAL PRAVIDELNÉ ÚDRŽBY .....	38
12. DETEKCE A ODSTRAŇOVÁNÍ PROBLÉMŮ .....	39
13. PROHLÁŠENÍ O SHODĚ .....	40
14. LIKVIDACE .....	41

# 1. VŠEOBECNÉ BEZPEČNOSTNÍ PŘEDPISY

## DŮLEŽITÁ BEZPEČNOSTNÍ UPOZORNĚNÍ


- ✿ Výrobek pečlivě vybalte a dejte pozor, abyste nevyhodili žádnou část obalového materiálu dříve, než najdete všechny součásti výrobku.
- ✿ Stroj uchovávejte na suchém místě mimo dosah dětí.
- ✿ Čtěte všechna upozornění a pokyny. Zanedbání při dodržování varovných upozornění a pokynů mohou mít za následek úraz elektrickým proudem, požár a/nebo těžká poranění.

## OBAL

Výrobek je umístěn v obalu bránícím poškozením při transportu. Tento obal je surovinou a lze jej proto odevzdat k recyklaci.

## NÁVOD K POUŽITÍ

Než začnete se strojem pracovat, přečtěte si následující bezpečnostní předpisy a pokyny k používání. Seznamte se s obslužnými prvky a správným používáním zařízení. Návod pečlivě uschovejte pro případ pozdější potřeby. Minimálně po dobu záruky doporučujeme uschovat originální obal včetně vnitřního balicího materiálu, pokladní doklad a záruční list. V případě přepravy zabalte stroj zpět do originální krabice od výrobce, zajistěte si tak maximální ochranu výrobku při případném transportu (např. stěhování nebo odeslání do servisního střediska).

 **Poznámka:** Předáváte-li stroj dalším osobám, předejte jej společně s návodem. Dodržování příloženého návodu k obsluze je předpokladem řádného používání stroje. Návod k obsluze obsahuje rovněž pokyny pro obsluhu, údržbu a opravy.

**Výrobce nepřebírá odpovědnost za nehody nebo škody vzniklé následkem nedodržování tohoto návodu.**



## 2. VYSVĚTLENÍ ŠTÍTKŮ S POKYNY NA STROJI



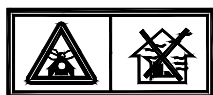
Před uvedením do provozu si prosím pozorně přečtěte návod k obsluze.



Udržujte ostatní osoby mimo pracovní oblast.



Pozor, rotující nože! Chraňte se před nebezpečím poranění končetin.



Emise toxických plynů. Benzínovou sekačku nepoužívejte v uzavřených či neventilovaných prostorech.



Horké povrchy, hrozí nebezpečí popálenin!



Před prováděním údržby vypněte motor a odpojte zapalovací svíčku.



Nikdy nedoplňujte palivo, pokud je motor spuštěný.



Upozorňuje, že v případě nedodržení pokynů hrozí nebezpečí zranění osob, smrti nebo poškození nástroje.



Používejte ochranu sluchu.

Používejte ochranu zraku.

Používejte ochranu dýchacích orgánů.



Neustále udržujte odstup od pohybujících se dílů.



Pohybujte se svahem po vrstevnici, ne nahoru a dolů.



Vyhovuje všem příslušným evropským směrnicím.



Benzín je extrémně hořlavý a proto před doplňováním paliva nechte motor 2 minuty vychladnout.

### 3. POPIS SEKAČKY

1. Páka pojezdu
2. Spínací / brzdová páka
3. Horní díl madla
4. Rychloupínací šrouby
5. Spodní díl madla
6. Kryt vzduchového filtru
7. Pumpička nástřiku paliva - Primer
8. Deflektor bočního výhozu
9. Zátka s měrkou oleje
10. Páka nastavení výšky sečení
11. Koš
12. Kryt koše
13. Panel madla



### 4. SESTAVENÍ/PŘÍPRAVA

Před sestavením a spuštěním benzínové sekačky si pečlivě přečtěte celý návod k obsluze a v něm uvedené pokyny.

**⚠ DŮLEŽITÁ INFORMACE:** Sekačka se dodává **BEZ PALIVA A OLEJE** v motoru.

Vaše nová travní sekačka byla vyzkoušena ve výrobním závodě, proto se v motoru může nacházet minimální zbytkové množství oleje.

#### **VYJMĚTE SEKAČKU Z KARTONOVÉHO OBALU**

Vyjměte sekačku z kartonového obalu a zkontrolujte, zda v obalu nezůstaly volné díly.

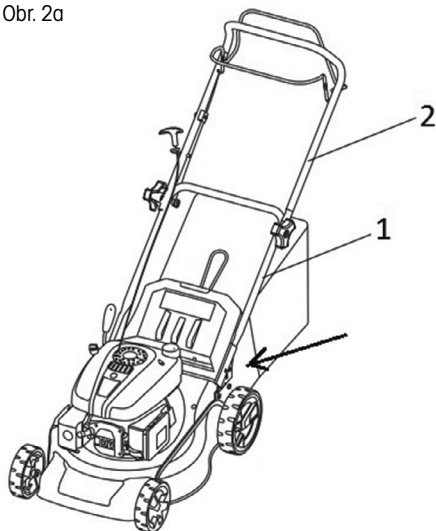
## 5. SESTAVENÍ SEKAČKY

**⚠ DŮLEŽITÁ INFORMACE:** Opatrně rozložte rukojeť sekačky a neskrýpněte či nepoškodíte ovládací lanka sekačky.

### 1. SESTAVENÍ MADLA

1. Zasuňte spodní část madla (Obr 2 – bod 1) do příslušných otvorů na sekačce (viz šipka) a zajistěte šroubem a maticí.
2. Dle zvolené pozice pro instalaci spodního nastavíte výšku madla Obr. 2b
3. Připojte horní část madla (Obr 2a – bod 2) ke spodní části madla pomocí přiložených šroubů s rychloupínákem a křídlovými matickami (Obr 2c).

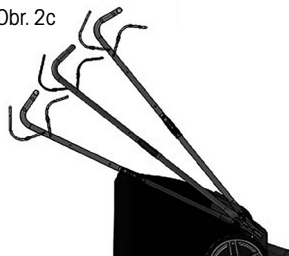
Obr. 2a



Obr. 2b

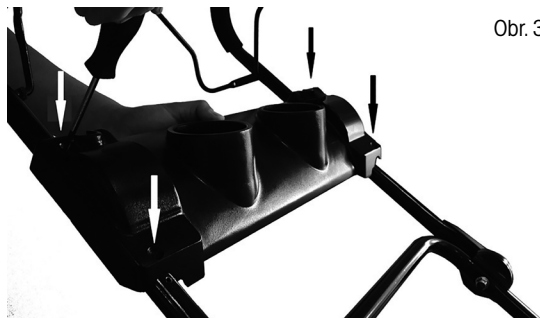


Obr. 2c



### 2. INSTALACE PANELU MADLA

Přípevněte plastový panel madla pomocí přiložených šroubů (obr 3.)



Obr. 3

### 3. SESTAVENÍ KOŠE

Zajistěte plastové háčky zakončení textilní části koše do ocelové konstrukce (obr 4.)



Obr. 4

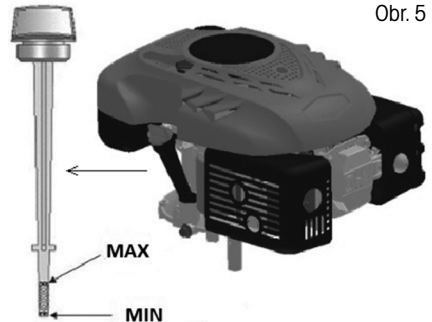
**⚠ DŮLEŽITÉ UPOZORNĚNÍ:** Koš je vybaven ukazatelem zaplnění. Jedná se o plastovou klapku v zadní části koše. Není-li koš zaplněn, klapka je přizvednutá. Při jejím zavření je nutné koš vysypat.

## 6. PŘED SPUŠTĚNÍM SEKAČKY

### NALITÍ OLEJE

**Sekačka se dodává bez motorového oleje. Před prvním startem nalijte motorový olej SAE30 nebo 15W-40 (cca 600 ml) dle následujících pokynů.**

1. Při nalévání oleje postavte sekačku na rovnou plochu.
2. Vyjměte zátku s měrkou oleje z otvoru pro dolévání oleje (Obr 5).
3. Po doplnění oleje měrku umístěte zpět do otvoru a dotáhněte ji.
4. Hladina oleje se musí pohybovat mezi horní (MAX) a dolní (MIN) mezí (Obr 5).



Obr. 5

**⚠ Upozornění!** NEPŘEPLŇTE zásobník oleje, jinak z výfuku po nastartování sekačky vyjde velké množství kouře.

**⚠ DŮLEŽITÁ INFORMACE:** Hladinu oleje kontrolujte před každým použitím sekačky. V případě potřeby olej doplňte. Olej doplňte po rysku MAX na měrce oleje.

**⚠ DŮLEŽITÁ INFORMACE:** Olej vyměňte po prvních 5 hodinách provozu a následně po každých 25 provozních hodinách

### DOPLNĚNÍ PALIVA

**Vhodné palivo pro tento typ motoru je NATURAL 95**

Po odšroubování víčka palivové nádrže doplňte palivo, palivo dolijte až po hrdlo palivové nádrže, ale nádrž nepřepĺňte.

Vždy doplňujte čerstvý, čistý a schválený bezolovnatý benzín s oktanovým číslem min 95.

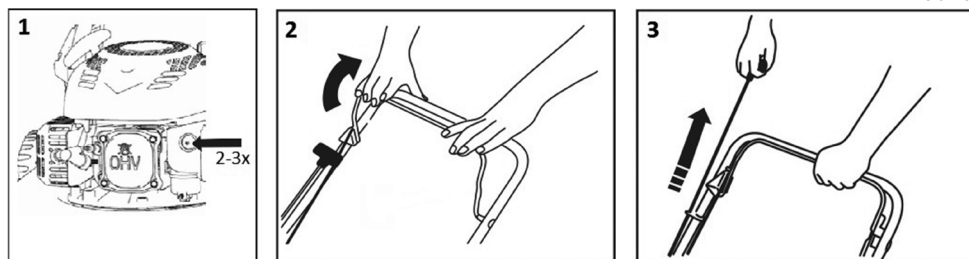
- ⚠ Upozornění!** V případě, že při dolévání oleje či paliva sekačku potřísníte, ihned ji otřete. Palivo neskladujte, nedoplňujte ani s ním nemanipulujte v blízkosti otevřeného ohně
- ⚠ Upozornění!** Paliva smíchaná s alkoholem či paliva s příměsí etanolu či metanu na sebe mohou vázat vlhkost, což může během skladování vést k separaci a tvorbě kyselin. Během skladování pak mohou výpary kyselin poškodit palivový systém motoru sekačky. Tyto paliva nesmějí být v sekačce používána.
- ⚠ DŮLEŽITÁ INFORMACE:** Pokud nebudete sekačku používat déle než 30 dní, vypusťte palivovou nádrž, nastartujte motor a nechte jej běžet, dokud nedojde k vyprázdnění palivového potrubí a karburátoru (motor sám zhasne). Tento postup zabrání budoucím potížím s motorem. Před opětovným použitím do nádrže dolijte čerstvé palivo.

## 7. OVLÁDÁNÍ A PROVOZ SEKAČKY

### START SEKAČKY

1. Není-li motor zahřátý 2-3 stiskněte pumpičku nástřiku paliva (Obr 6 – bod 1).  
Je – li motor zahřátý, již není třeba používat pumpičky nástřiku paliva.
2. Přitáhněte spinací/brzdovou páku k madlu a držte ji (Obr 6 – bod 2), poté zatáhněte za startovací lanko (Obr 6 – bod 3). Motor by měl nejpozději po 3-4 zataženích naskočit.
3. Motor vypnete uvolněním spinací/brzdové páky.

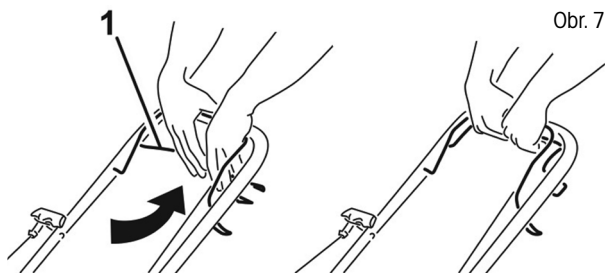
Obr. 6



- ⚠ Upozornění!** Po prvním nastartování motoru může dojít k mírnému výskytu kouře z důvodu vypalování ochranných vrstev v motoru. Jedná se o zcela běžnou situaci, která nepředstavuje žádný problém.

## OVLÁDÁNÍ POJEZDU

Pojezd se ovládá pomocí páky pojezdu (Obr 7 – bod 1) Po přitáhnutí páky k madlu se sekačka rozjede. Pro zastavení páky opět uvolněte. Tato sekačka má jednu, konstantní rychlost.



## ROZSAH POUŽITÍ BENZÍNOVÉ SEKAČKY

Sečení se sběrem posečené trávy do travního koše

Sečení se zadním výhozem posečené trávy

Sečení s bočním odhozem

Mulčování - sečení s volným ukládáním posečené trávy na trávník

**⚠ Upozornění! Nepoužívejte sekačku na svazích s větším sklonem než 20°, hrozí zadření motoru!**

## SEČENÍ SE SBĚREM TRÁVY DO KOŠE

S nasazeným sběrným košem proudí posečená tráva do koše.

**⚠ Upozornění!** Při špatném sběru posekané trávy zvýšte výšku sečení a zkontrolujte zda není trávník vlhký.

## SEČENÍ SE ZADNÍM VÝHOZEM

Bez nasazeného sběrného koše slouží kryt koše jako tzv. deflektor, který usměrňuje pohyb posečené trávy směrem k zemi. Za sekačkou tak vzniká řádek posečené trávy.

## SEČENÍ S BOČNÍM ODHOZEM

**⚠ Upozornění!** Boční deflektor instalujte a odnímejte výhradně při vypnutém motoru.

Rukou zvedněte kryt bočního odhozu a nasadte boční deflektor (obr 8). Pro sečení s bočním odhozem je nutné instalovat do odhozového tunelu mulčovací záslepku.



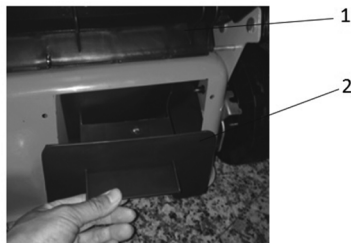
## MULČOVÁNÍ

**⚠ Upozornění!** Mulčovací záslepku instalujte a odnímejte výhradně při vypnutém motoru.

**⚠ Upozornění!** Při mulčování používejte výhradně originální mulčovací příslušenství.

1. Sejměte koš a rukou přidržete plastový kryt koše (Obr 9 – bod 1).
2. Nasadíte mulčovací záslepku do výhozového tunelu (Obr 9 – bod 2) a ujistěte se, že usazena opravdu pevně.

Obr. 9



**⚠ DŮLEŽITÁ INFORMACE:** Nemulčujte přerostlou travu najednou, zabráníte tím přetížení mechanismu sekačky a motoru.

## NASTAVENÍ VÝŠKY SEČENÍ

Výšku sečení nastavíte centrálně pomocí páky centrálního nastavení výšky sečení (Obr 1 – bod 10). Volit můžete v rozsahu 25 - 75 mm. Pro sečení většiny trávníků je nejvhodnější střední výška sečení. Při nastavení nejnižší výšky může dojít k poškození trávníku.

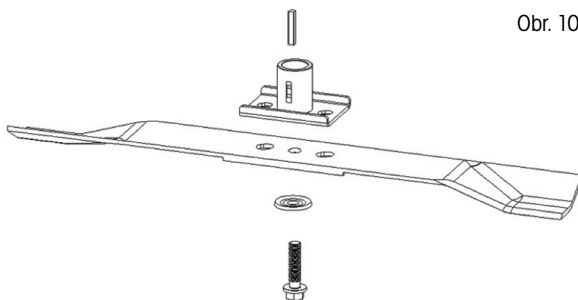
**⚠ Upozornění!** Pro dosažení maximální efektivity trávu zkracujte vždy pouze o 1/3 její délky. Přerostlou travu sekejte postupně a po každém sečení snižte nastavení výšky o jeden stupeň. Chcete-li zachovat kvalitní trávník, nepoužívejte nastavení na nejnižší výšku sečení.

## VÝMĚNA ŽACÍCH NOŽŮ

**⚠ Upozornění!** Za tímto účelem doporučujeme kontaktovat autorizované servisní středisko

Chcete-li vyměnit žací nůž, demontujte šroub (Obr 10). Provedte montáž podle uvedeného obrázku. Dotáhněte šroub. Utahovací moment činí 40 Nm. Při výměně nože současně vyměňte upínací šroub nože.

Obr. 10



## VÝMĚNA MOTOROVÉHO OLEJE

**⚠ Upozornění!** Za tímto účelem doporučujeme kontaktovat autorizované servisní středisko.

Vypouštěcí zátka se nachází pod motorem (Obr 11 – bod 1). Umístěte pod motor vhodnou nádobu na zachycení použitého oleje a sejměte zátka. Nakloňte sekačku tak, aby mohl vytéci všechen olej ze zásobníku.

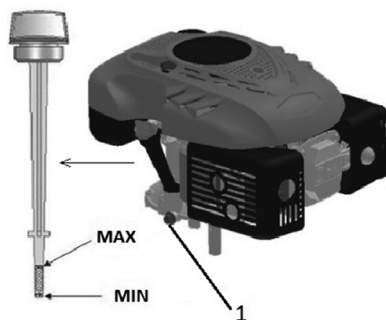


Po vypuštění oleje umístěte zátku zpět do otvoru, ujistěte se, že je zátku umístěna řádně na svém místě, a ořízete případné kapky rozlitého oleje.

Doplňte do zásobníku olej typu SAE30 nebo 15W-40.

Po vložení měřky oleje do otvoru a jejím utažením by měla být hladina oleje mezi ryskami Min a Max (Obr 11). Nepřepĺňte zásobník oleje.

Spusťte motor a nechte jej krátce běžet. Zastavte motor, počkejte 1 minutu a přeměřte hladinu oleje v zásobníku. V případě potřeby doplňte olej na požadovanou úroveň.



Obr. 11

## 8. BEZPEČNOSTNÍ POKYNY

### VŠEOBECNÉ BEZPEČNOSTNÍ POKYNY

- ☛ Tento výrobek slouží výlučně k sečení trávy. Nepoužívejte jej k jiným účelům, než pro který je určen. V opačném případě hrozí jeho poškození či úraz.
- ☛ Nikdy nedovolte dětem ani osobám neznalým tohoto návodu k použití se zařízením pracovat.
- ☛ Osoba, která obsluhuje sekačku, zodpovídá za bezpečnost osob v pracovním prostoru. Sekačku nikdy nepoužívejte v těsné blízkosti ostatních osob, dětí nebo volně pobíhajícího zvířectva.
- ☛ Před zahájením sečení zkontrolujte terén, na němž má být sekačka použita, a odstraňte z ní kameny, dráty, klacky, střepy, kosti a ostatní cizí tělesa, která by mohla být zachycena nebo vymršřena a způsobit zranění.

### POKYNY K POUŽÍVÁNÍ

- ☛ Všechny matky, svorníky a šrouby musí být řádně dotaženy tak, aby zařízení bylo v bezpečném a provozuschopném stavu.
- ☛ Sekačku nikdy nepoužívejte bez sběrného koše nebo ochranného krytu.
- ☛ Sekačku nikdy nepoužívejte s uvolněnými čepeli nože. Vždy se předem ujistěte, že jsou příslušné šrouby dobře utažené. Ztupené čepel musejí být nabroušeny, a to rovnoměrně. Nože spoškozenými čepeli je potřeba vyměnit.
- ☛ Při práci se sekačkou používejte kalhoty s dlouhými nohavicemi a pevnou obuv.
- ☛ Sekačku nikdy nespustíte v uzavřených anebo špatně větraných prostorách, kde se mohou hromadit výpary. Emise vycházející z motoru obsahují oxid uhelnatý, který je životu nebezpečný.
- ☛ Pracujte pouze při dostatečném osvětlení (za denního světla nebo při dostatečném umělém osvětlení).
- ☛ Sekačku nepoužívejte za deště nebo je-li tráva mokrá.
- ☛ Zvláště opatrně postupujte při sekání ve zvýšeném terénu (svah). Vždy sekejte napříč svahem, paralelně k vrstevnici, a nikoliv shora/zdola kolmo na ni.
- ☛ Sekačku zásadně nenechávejte běžet bez obsluhy, pokud sekačku opusťte, vypněte motor.
- ☛ Při startování nikdy nenadzdvíhujte zadní část sekačky a nikdy nepřibližujte končetiny k podvozku či do otvoru pro zadní výhoz trávy, pokud je motor zapnutý.
- ☛ Nikdy neměňte nastavení rychlosti motoru.

- ☼ U sekaček s pojezdem, uvolněte pojezd před spuštěním motoru.
- ☼ Sekačku nikdy nepřemísťujte se spuštěným motorem.
- ☼ Zastavte motor a odpojte zapalovací svíčku v následujících případech:
  - před prováděním jakékoliv činnosti pod krytem sečení či otvorem pro zadní výhoz trávy.
  - před prováděním údržby, opravy či kontroly stroje.
  - před přenášením, zvedáním či přemisťováním sekačky.
  - ponecháváte-li sekačku bez dozoru anebo se chystáte upravit nastavení výšky sečení.
  - před demontáží a vyprazdňováním sběrného vaku.
  - dojde-li ke kolizi s cizím předmětem, zastavte motor a sekačku pečlivě prohlédněte, abyste vyloučili možnost poškození. V případě poškození, dopravte sekačku do specializovaného servisu za účelem opravy.

**⚠ POZOR:** Po vypnutí motoru se žací nůž několik sekund i nadále točí.

- v případě abnormálních vibrací sekačky (okamžitě zjistěte a zajistěte odstranění příčiny vibrace).
- Za účelem zajištění bezpečného provozu pravidelně kontrolujte řádné utažení čepů, šroubů a matic na sekačce.

**⚠ POZOR:** PALIVO JE VYSOCE HOŘLAVÁ KAPALINA.

- ☼ Palivo uchovávejte v nádobě k tomu určené.
- ☼ Palivo doplňujte pouze na otevřeném či dobře větraném prostranství. Při manipulaci s palivem nekuřte, ani nepoužívejte mobilní telefon.
- ☼ Palivo doplňujte pouze za předpokladu, že je motor vypnutý. Nikdy neotvírejte palivovou nádrž a palivo nedoplňujte, je-li motor horký anebo v chodu.
- ☼ Pokud dojde k rozliti benzínu, motor nestartujte. Odstraňte sekačku z místa, kde bylo palivo rozlito, a vyvarujte se možného vznícení. V práci pokračujte až po odpaření rozlitého paliva a rozptýlení palivových výparů;
- ☼ Po doplnění paliva dobře utáhněte kryt palivové nádrže i víko kanystru s palivem.

**⚠ POZOR:** Před prováděním údržby nebo opravy zastavte motor a odpojte zapalovací svíčku.

## 9. ÚDRŽBA

### PÉČE O TRÁVNÍK

- ☼ Dle druhu travnaté plochy je zapotřebí použít různé způsoby péče;
- ☼ Proto po každé si přečtěte pokyny uvedené v baleníh osiv, týkající se výšky sečení vzhledem k podmínkám růstu v dané oblasti.
- ☼ Je třeba mít stále na paměti, že větší část trávy je složena ze stébla a jednoho nebo více listů. Při úplném odseknutí listů dojde k poškození trávníku a obnovení růstu bude mnohem obtížnější.
- ☼ Všeobecně platí následující pokyny:
  - příliš nízké sečení způsobuje narušení kořenů a následně „skvrnitým“ vzhledem;
  - v létě musí být sečení vyšší, aby se zabránilo vysychání půdy;
  - sečení mokré trávy může způsobit snížení účinnosti nože následkem zachytávání trávy na noži a vytrhávání travnatého porostu;

- v případě mimořádně vysoké trávy je vhodné provést první sečení s maximální dovolenou výškou stroje a poté provést druhé sečení až po dvou nebo třech dnech.
- ☼ Trávník bude mít lepší vzhled pravidelným a celoplošným posekem stejné výšky a dodržováním střídání dvou směrů.

## ÚDRŽBA

**⚠ Upozornění!** Sekačku vždy naklánějte pouze na stranu madla (zadní část sekačky).

- ☼ Všechny matky, svorníky a šrouby musí být řádně dotaženy tak, aby zařízení bylo v bezpečném a provozuschopném stavu. Pravidelná údržba je základním předpokladem pro zajištění bezpečnosti uživatele, zachování provozuschopnosti a vysokého výkonu sekačky.
- ☼ Zařízení s benzinem v nádrži nikdy neuskładňujte uvnitř budovy, kde by se výpary mohly dostat do dosahu otevřeného ohně, jiskry nebo zdroje vysoké teploty
- ☼ Před uskladněním v jakémkoliv uzavřeném prostoru nechte motor vychladnout.
- ☼ Z důvodu snížení rizika požáru zajistěte, aby sekačka a obzvláště motor, flumič výfuku, baterie a také místo uložení náhradního benzínu byly zbaveny zbytků trávy, listí anebo nadměrného množství maziva.
- ☼ Kontrolujte pravidelně stav deflektoru a sběrného koše; v případě poškození je vyměňte.
- ☼ Vypouštění paliva provádějte v dobře větraném prostoru při vychlazeném motoru.
- ☼ Při snímání či instalaci žacího nože používejte silné pracovní rukavice.
- ☼ Po každém nabroušení čepele žacího nože je nutné přezkontrolovat jeho vyvážení.

**⚠ POZOR:** Před prováděním údržby nebo opravy zastavte motor a odpojte zapalovací svíčku.

- ☼ Pravidelně sekačku kontrolujte a zajistěte, aby byly všechny nánosy trávy ve spodní části podvozku odstraňovány.
- ☼ Pravidelně mazejte osu podvozku a ložiska vhodným mazivem.
- ☼ Kontrolujte pravidelně stav nožů, protože mají podstatný vliv na výkon sekačky. Nože by měly být vždy ostré a vyvážené.
- ☼ V pravidelných intervalech kontrolujte dotažení všech šroubů a matic. Opořebenované nebo špatně dotažené matice a šrouby mohou způsobit vážná poškození motoru nebo rámu.
- ☼ Pokud nůž prudce zasáhne překážku, sekačku zastavte a odvezte ji do autorizovaného servisu.
- ☼ NŮŽ: nůž je vyroben z lisované oceli. Abyste docílili co nejlepšího sečení, pravidelně nůž bruste, přibližně po každých 25 hodinách provozu. Ujistěte se, že je nůž vždy správně vyvážený. Za tímto účelem vložte do středového otvoru nože železnou osičku (o průměru 2-3 mm). Je-li nůž správně vyvážen, osa se udrží v horizontální poloze.
- ☼ Pokud se nůž neudrží v horizontální poloze, vyměňte jej.
- ☼ Při demontáži nože odšroubujte šroub, zkontrolujte nosnou část nože. Pokud jsou části opořebené nebo poškozené, vyměňte je.

**⚠ POZOR:** Používejte pouze originální náhradní díly. Nekvalitní náhradní díly mohou způsobit vážná poškození sekačky a ohrozit vaši bezpečnost.

## SERVIS

- ✿ V případě, že po zakoupení výrobku zjistíte jakoukoli závadu, kontaktujte servisní oddělení. Při použití výrobku se řiďte pokyny uvedenými v příloženém návodu k použití.
- ✿ Na reklamaci nebude brán zřetel, pokud jste výrobek pozměnili či jste se neřídili pokyny uvedenými v návodu k použití.

## ZÁRUKA SE NEVZTAHUJE

- ✿ Na přirozené opotřebení funkčních částí stroje v důsledku jeho používání.
- ✿ Na servisní zásahy související se standardní údržbou stroje (např. čištění, mazání, seřízení apod.) Na závady způsobené vnějšími vlivy (např. klimatickými podmínkami, prašností, nevhodným použitím apod.)
- ✿ Na mechanická poškození v důsledku pádu stroje, nárazu, úderu do něj apod.
- ✿ Na škody vzniklé neodborným zacházením, přetížením, použitím nesprávných dílů, nevhodných nástrojů apod.
- ✿ U reklamovaných výrobků, které nebyly řádně zabezpečeny proti mechanickému poškození při přepravě nese riziko případné škody výhradně majitel.

## USKLADNĚNÍ

- ✿ Pokud stroj delší dobu nepoužíváte, přístroj uskladněte dle následujících pokynů. Prodloužíte tak životnost stroje.
- ✿ Kompletně vylijte palivo z palivové nádrže a karburátoru.
- ✿ Vyšroubujte zapalovací svíčku a nalijte do otvoru malé množství motorového oleje. Jemně potáhněte 2 až 3krát startér.
- ✿ Čistým hadrem vyčistěte vnější plochy. Stroj uskladněte na čistém a suchém místě.

## 10. TECHNICKÉ ÚDAJE

Motor	XP200
Typ motoru	OHV, vzduchem chlazený, 4 taktní
Nominální výkon	3,5 kW
Otáčky motoru	2900 ot./min
Zdvihový objem	196 cm <sup>3</sup>
Startování	Tahem
Objem palivové nádrže	1,0 litru
Doporučené palivo	Benzín- bezolovnatý, min 95 oktanů
Objem olejové nádrže	0,6 l
Doporučený olej	SAE30, 15W-40
Nastavení výšky sečení	Centrálně, 6 pozic
Nastavitelný rozsah výšky sečení	25-75 mm
Záběr sečení	560 mm
Velikost kol	Přední 200 mm, zadní 280 mm
Kapacita sběrného koše	75 l
Šasi	ocel
Deklarovaná úroveň hluku	98 dB(A)
Maximální úroveň vibrací	5,822 m/s (K=1,5)
Hmotnost	33,9 kg

Změna textu a technických parametrů vyhrazena.

Změny v textu, designu a technických specifikacích se mohou měnit bez předchozího upozornění a vyhražujeme si právo na jejich změnu.

# 11. INTERVAL PRAVIDELNÉ ÚDRŽBY

Interval pravidelné údržby, provádějte vždy v měsíční nebo hodinovém intervalu, dle toho co nastane dříve		Před každým použitím	U nového stroje po 5 hodinách provozu	Každých 6 měsíců nebo po 25h provozu	Každý rok
Očištění stroje, dotažení spojovacích šroubů		X			
Motorový olej	Kontrola hladiny	X			
	Výměna		X	X	
Vzduchový filtr	Kontrola	X			
	Čištění			X	
Svíčka	Výměna				X
	Kontrola&čištění			X	
Kontrola mechanismu pojezdu	Kontrola				X(*)
Volnoběh	Kontrola&seřízení				X(*)
Vůle ventilů	Kontrola&seřízení				X(*)
Spalovací komora	Čištění				X(*)
Palivové potrubí	Kontrola&čištění				X(*)
Celková preventivní kontrola					X(*)

\* tuto údržbu svěřte autorizovanému servisu

**⚠ Upozornění!** V případě používání sekačky v náročných podmínkách nebo prašném prostředí, provádějte výměnu oleje a čištění vzduchového filtru v častějších intervalech.

## 12. DETEKCE A ODSTRAŇOVÁNÍ PROBLÉMŮ

Problém	Pravděpodobná příčina	Opatření
Motor nelze nastarovat	Klapka sytiče v nesprávné poloze	Přesuňte páku sytiče do správné polohy
	Palivová nádrž je prázdná	Naplňte nádrž palivem
	Vzduchový filtr je znečištěný	Vyčistěte vzduchový filtr
	Uvolněná zapalovací svíčka	Utáhněte zapalovací svíčku na 25-30 Nm
	Zapalovací kabel je uvolněný nebo odpojen od zapalovací svíčky	Namontujte zapalovací kabel na zapalovací svíčku
	Nesprávná mezera mezi elektrodami svíčky	Namontujte novou zapalovací svíčku se správnou mezerou mezi elektrodami
	Vadný zapalovací modul	Kontaktujte servis
Motor se obtížně startuje nebo ztrácí výkon	Nečistota, voda nebo staré palivo v nádrži	Vypusťte palivo a vyčistěte nádrž. Naplňte nádrž čerstvým čistým palivem
	Ucpaný vzduchový průduch ve víčku palivové nádrže	Vyčistěte nebo vyměňte víčko palivové nádrže
	Vzduchový filtr je znečištěný	Vyčistěte vzduchový filtr
	Nečistota, voda nebo staré palivo v nádrži	Vypusťte palivo a vyčistěte nádrž. Naplňte nádrž čerstvým čistým palivem
	Ucpaný vzduchový průduch ve víčku palivové nádrže	Vyčistěte nebo vyměňte víčko palivové nádrže
Motor běží nepravidelně	Vzduchový filtr je znečištěný	Vyčistěte vzduchový filtr
	Vadná zapalovací svíčka	Namontujte novou zapalovací svíčku se správnou mezerou mezi elektrodami
	Nesprávná mezera mezi elektrodami	Nastavte mezeru mezi elektrodami na 0,7 až 0,8 mm
Motor běží na volnoběh špatně	Vzduchový filtr je znečištěný	Vyčistěte vzduchový filtr
	Vzduchové mezery v krytu motoru jsou ucpané	Odstraňte nečistoty z mezer
	Chladicí žebra a průchody vzduchu pod ventilátorem motoru jsou ucpané	Odstraňte nečistoty z chladicích žebér a průchodů vzduchu
Motor se zastavuje při vysokých otáčkách	Příliš malá mezera mezi elektrodami na zapalovací svíčce	Nastavte mezeru 0,7 až 0,8 mm
Motor se přehřívá	Omezený průtok vzduchu	Odstraňte veškeré nečistoty z mezer na krytu motoru, krytu ventilátoru a z průchodů vzduchu
	Nevhodná zapalovací svíčka	Namontujte novou zapalovací svíčku se správnou mezerou mezi elektrodami
Sekačka silně vibruje	Řezací jednotka je uvolněná	Utáhněte žací nůž
	Řezací jednotka není vyvážená	Je potřeba vyvážit žací nůž
	Ohnutá kliková hřídel	Kontaktujte servis

**FAST**<sup>®</sup>

**FAST ČR, a.s.**  
 Černokostecká 1621, 251 01 Říčany, Czech Republic  
 tel.: +420 323 204 111, fax: +420 323 204 110

**PROHLÁŠENÍ O SHODĚ**

**Produkt/ značka:** Benzinová sekačka/ **FIELDMANN**

**Typ/ model:** **FZR 5611-B**  
 Motor: 196 cm<sup>3</sup>; 3,5kW/ 2900 min<sup>-1</sup>  
 Šířka sečení: 560mm  
 Naměřená hladina akustického výkonu: L<sub>PA</sub>= 78dB(A)  
 Garantovaná hladina akustického výkonu: L<sub>WA</sub>= 98dB(A)

**Výrobce:** FAST ČR, a.s.  
 Černokostecká 2111, 100 00 Praha 10, Czech Republic  
 VAT no: CZ26726548

**Výrobek je ve shodě s níže uvedenými směrniciemi a nařízeními:**

Directive Machinery 2006/42/EC  
 Directive EMC 2014/30/EU  
 Directive Noise 2000/14/EC + 2005/88/EC  
 Directive Emission of gaseous 2016/1628/EU  
 Directive RoHS 2015/863/EU

**a normami:**

EN ISO 5395-1:2013+A1  
 EN ISO 5395-2:2013+A1+A2  
 EN ISO 14982:2009  
 EN ISO 3744:1995  
 ISO 11094:1991

**Vydáno v:** Praze**Jméno:** Ing. Zdeněk Pech  
Chairman of the Board**Datum vydání:** 20. 8. 2019**Podpis:**

**FAST**<sup>®</sup> FAST ČR, a.s.  
 Černokostecká 1621, 251 01 Říčany  
 IČO: 26726548 tel.: +420/ 323 204 111  
 DIČ: CZ26726548 fax: +420/ 323 204 110

IČO: 26 72 65 48, DIČ: CZ-26 72 65 48

**Bankovní spojení:** Komerční banka Praha 1, č.ú. 89309011/0100, Česká spořitelna Praha 4, č.ú. 2375682/0800,  
 ČSOB Praha 1, č.ú. 8010-0116233383/0300



## 14. LIKVIDACE

### POKYNY A INFORMACE O NAKLÁDÁNÍ S POUŽITÝM OBALEM

Použitý obalový materiál odložte na místo určené obcí k ukládání odpadu.



Stroj a jeho příslušenství jsou vyrobeny z různých materiálů, např. z kovu a plastů. Poškozené součástky odevzdejte do tříděného sběru. Informujte se u příslušného úřadu.



Tento výrobek splňuje veškeré základní požadavky směrnic EU, které se na něj vztahují.

Změny v textu, designu a technických specifikacích se mohou měnit bez předchozího upozornění a vyhrazujeme si právo na jejich změnu.

Návod k použití v originálním jazyce.



# Benzínová kosačka na trávnu

## NÁVOD NA OBSLUHU

**Ďakujeme vám, že ste si kúpili túto záhradnú benzínovú rotačnú kosačku. Skôr ako ju začnete používať, prečítajte si, prosím, pozorne tento návod na obsluhu a uschovajte ho pre prípad ďalšieho použitia.**

## OBSAH

1. VŠEOBECNÉ BEZPEČNOSTNÉ PREDPISY .....	44
Dôležité bezpečnostné upozornenia .....	44
Obal .....	44
Návod na použitie .....	44
2. VYSVETLENIE ŠTÍTKOV S POKYNYMI NA STROJI .....	45
3. POPIS KOSAČKY .....	47
4. ZOSTAVENIE/PRIÍPRAVA .....	47
VYBERTE KOSAČKU Z KARTÓNOVÉHO OBALU .....	47
5. ZOSTAVENIE KOSAČKY .....	48
6. PRED SPUSTENÍM KOSAČKY .....	49
NALIATIE OLEJA .....	49
DOPLNENIE PALIVA .....	49
7. OVLÁDANIE A PREVÁDZKA KOSAČKY .....	50
Štart kosačky .....	50
Ovládanie pojazdu .....	51
Rozsah použitia benzínovej kosačky .....	51
Kosenie so zberom trávy do koša .....	51
Kosenie so zadným vyhadzovaním .....	51
Kosenie s bočným vyhadzovaním .....	51
Mulčovanie .....	52
Nastavenie výšky kosenia .....	52
Výmena žacích nožov .....	52
Výmena motorového oleja .....	52
8. BEZPEČNOSTNÉ POKYNY .....	53
Všeobecné bezpečnostné pokyny .....	53
Pokyny na používanie .....	53
9. ÚDRŽBA .....	54
Starostlivosť o trávnik .....	54
Údržba .....	55
Servis .....	55
Záruka sa nevzťahuje .....	56
Uskladnenie .....	56
10. TECHNICKÉ ÚDAJE .....	57
11. INTERVAL PRAVIDELNEJ ÚDRŽBY .....	58
12. DETEKČIA A ODSTRÁŇOVANIE PROBLÉMOV .....	59
13. VYHLÁSENIE O ZHODE .....	60
14. LIKVIDÁCIA .....	61

# 1. VŠEOBECNÉ BEZPEČNOSTNÉ PREDPISY

## DÔLEŽITÉ BEZPEČNOSTNÉ UPOZORNENIA

- ✿ Výrobok starostlivo vybaľte a dajte pozor, aby ste nevyhodili žiadnu časť obalového materiálu, skôr ako nájdete všetky súčasti výrobku.
- ✿ Stroj uchovávajte na suchom mieste mimo dosahu detí.
- ✿ Čítajte všetky upozornenia a pokyny. Zanedbanie pri dodržiavaní varovných upozornení a pokynov môže mať za následok úraz elektrickým prúdom, požiar a/alebo ťažké poranenia.


## OBAL

Výrobok je umiestnený v obale brániacom poškodeniu pri transporte. Tento obal je surovinou a je preto možné ho odovzdať na recykláciu.

## NÁVOD NA POUŽITIE

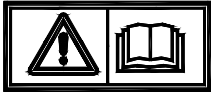
Skôr ako začnete so strojom pracovať, prečítajte si nasledujúce bezpečnostné predpisy a pokyny na používanie. Oboznámte sa s obslužnými prvkami a správnym používaním zariadenia. Návod dôkladne uschovajte pre prípad neskoršej potreby. Minimálne počas záruky odporúčame uschovať originálny obal vrátane vnútorného baliaceho materiálu, pokladničný doklad a záručný list.

V prípade prepravy zabaľte stroj späť do originálnej škatule od výrobcu, zaistíte si tak maximálnu ochranu výrobku pri prípadnom transporte (napr. sťahovanie alebo odoslanie do servisného strediska).

 **Poznámka:** Ak odovzdávate stroj ďalším osobám, odovzdajte ho spoločne s návodom. Dodržiavanie priloženého návodu na obsluhu je predpokladom riadneho používania stroja. Návod na obsluhu obsahuje tiež pokyny na obsluhu, údržbu a opravy.

**Výrobca nepreberá zodpovednosť za nehody alebo škody vzniknuté následkom nedodržiavania tohto návodu.**

## 2. VYSVETLENIE ŠTÍTKOV S POKYNYMI NA STROJI



Pred uvedením do prevádzky si, prosím, pozorne prečítajte návod na obsluhu.



Udržujte ostatné osoby mimo pracovnej oblasti.



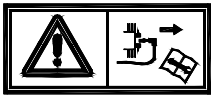
Pozor, rotujúce nože! Chráňte sa pred nebezpečenstvom poranenia končatín.



Emisia toxických plynov. Benzínovú kosačku nepoužívajte v uzatvorených či neventilovaných priestoroch.



Horúce povrchy, hrozí nebezpečenstvo popálenín!



Pred vykonávaním údržby vypnite motor a odpojte zapalovaciu sviečku.



Nikdy nedopĺňajte palivo, ak je motor spustený.



Upozorňujeme, že v prípade nedodržania pokynov hrozí nebezpečenstvo zranenia osôb, smrti alebo poškodenia nástroja.



Používajte ochranu sluchu.

Používajte ochranu zraku.

Používajte ochranu dýchacích orgánov.



Neustále udržiajte odstup od pohybujúcich sa dielov.



Pohybujte sa svahom po vrstevnici, nie nahor a dole.



Vyhovuje všetkým príslušným európskym smerniciam.



Benzín je extrémne horľavý a preto pred doplňovaním paliva nechajte motor 2 minúty vychladnúť.

### 3. POPIS KOSAČKY

1. Páka pojazdu
2. Spínacia/brzdová páka
3. Horný diel držadla
4. Rýchlopínacie skrutky
5. Spodný diel držadla
6. Kryt vzduchového filtra
7. Pumpička nástreku paliva – Primer
8. Deflektor bočného vyhadzovania
9. Zátka s mierkou oleja
10. Páka nastavenia výšky kosenia
11. Kôš
12. Kryt koša
13. Panel držadla



### 4. ZOSTAVENIE/PRÍPRAVA

Pred zostavením a spustením benzínovej kosačky si pozorne prečítajte celý návod na obsluhu a v ňom uvedené pokyny.

**⚠ DÔLEŽITÁ INFORMÁCIA:** Kosačka sa dodáva **BEZ PALIVA A OLEJA** v motore.

Vaša nová kosačka na trávnu bola vyskúšaná vo výrobnom závode, preto sa v motore môže nachádzať minimálne zvyškové množstvo oleja.

#### **VYBERTE KOSAČKU Z KARTÓNOVÉHO OBALU**

Vyberte kosačku z kartónového obalu a skontrolujte, či v obale nezostali voľné diely.

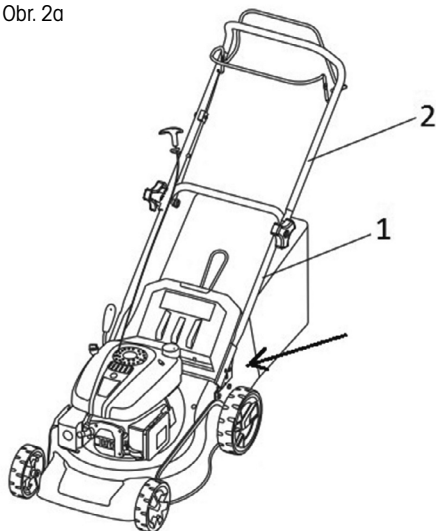
## 5. ZOSTAVENIE KOSAČKY

**⚠ DŮLEŽITÁ INFORMÁCIA:** Opatrne rozložte rukoväť kosačky a nepriškripte či nepoškodte ovládacie lanká kosačky.

### 1. ZOSTAVENIE DRŽADLA

1. Zasuňte spodnú časť držadla (obr. 2 – bod 1) do príslušných otvorov na kosačke (pozrite šípku) a zaistite skrutkou a maticou.
2. Podľa zvolenej pozície na inštaláciu spodnej nastavíte výšku držadla Obr. 2b.
3. Pripojte hornú časť držadla (Obr. 2a – bod 2) k spodnej časti držadla pomocou priložených skrutiek s rýchlopínačom a krídlovými maticami (Obr. 2c).

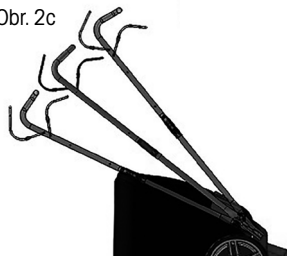
Obr. 2a



Obr. 2b

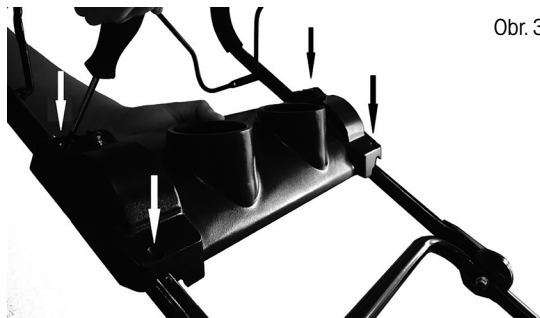


Obr. 2c



### 2. INŠTALÁCIA PANELU DRŽADLA

Pripevnite plastový panel držadla pomocou priložených skrutiek (obr. 3.)



Obr. 3



### 3. ZOSTAVENIE KOŠA

Zaistíte plastové háčiky zakončenia textilnej časti koša do ocelevej konštrukcie (obr. 4).



Obr. 4

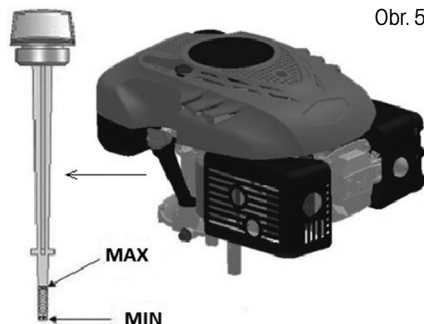
**⚠ DÔLEŽITÉ UPOZORNENIE:** Kôš je vybavený ukazovateľom zaplnenia. Ide o plastovú klapku v zadnej časti koša. Ak nie je kôš zaplnený, klapka je nadvihnutá. Pri jej zatvorení je nutné kôš vysypať.

## 6. PRED SPUSTENÍM KOSAČKY

### NALIATIE OLEJA

**Kosačka sa dodáva bez motorového oleja. Pred prvým štartom nalejte motorový olej SAE30 alebo 15W-40 (cca 600 ml) podľa nasledujúcich pokynov.**

1. Pri nalievaní oleja postavte kosačku na rovnú plochu.
2. Vyberte zátku s mierkou oleja z otvoru na dolievanie oleja (Obr. 5).
3. Po doplnení oleja mierku umiestnite späť do otvoru a doiahnite ju.
4. Hladina oleja sa musí pohybovať medzi hornou (MAX.) a dolnou (MIN.) medzou (Obr. 5).



Obr. 5

**⚠ Upozornenie** NEPREPLŇTE zásobník oleja, inak z výfuku po naštartovaní kosačky vyjde veľké množstvo dymu.

**⚠ DÔLEŽITÁ INFORMÁCIA:** Hladinu oleja kontrolujte pred každým použitím kosačky. V prípade potreby olej doplňte po rysku MAX. na mierke oleja.

**⚠ DÔLEŽITÁ INFORMÁCIA:** Olej vymeňte po prvých 5 hodinách prevádzky a následne po každých 25 prevádzkových hodinách.

### DOPLNENIE PALIVA

**Vhodné palivo pre tento typ motora je NATURAL 95**

Po odskrutkovaní viečka palivovej nádrže doplňte palivo, palivo dolejte až po hrdlo palivovej nádrže, ale nádrž nepreplňte. Vždy doplňujte čerstvý, čistý a schválený bezolovnatý benzín s oktánovým číslom min. 95.

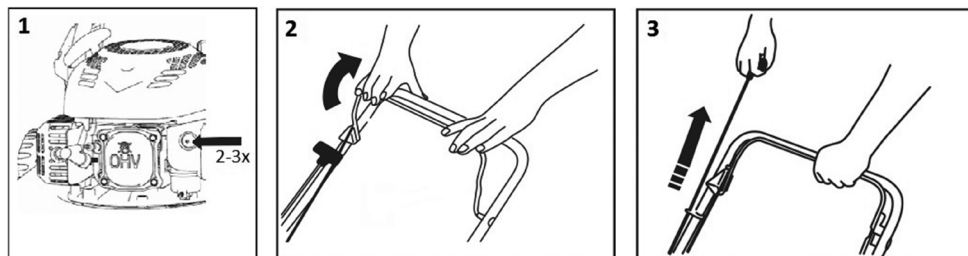
- ⚠ Upozornenie** V prípade, že pri dolievaní oleja či paliva kosačku znečistíte, ihneď ju utrite. Palivo neskladujte, nedoplňujte ani s ním nemanipulujte v blízkosti otvoreného ohňa.
- ⚠ Upozornenie** Palivá zmiešané s alkoholom či palivá s prísadou etanolu či metánu na seba môžu viazať vlhkosť, čo môže počas skladovania viesť k separácii a tvorbe kyselín. Počas skladovania môžu výpary kyselín poškodiť palivový systém motora kosačky. Tieto palivá sa nesmú v kosačke používať.
- ⚠ DÔLEŽITÁ INFORMÁCIA:** Ak nebudete kosačku používať dlhšie než 30 dní, vypustíte palivovú nádrž, naštartujete motor a nechajte ho bežať, kým nedôjde k vyprázdneniu palivového potrubia a karburátora (motor sám zhasne). Tento postup zabráni budúcim problémom s motorom. Pred opätovným použitím do nádrže dolejte čerstvé palivo.

## 7. OVLÁDANIE A PREVÁDZKA KOSAČKY

### ŠTART KOSAČKY

1. Ak nie je motor zahriaty, 2- až 3-krát stlačte pumpičku nástrekú paliva (Obr. 6 – bod 1). Ak je motor zahriaty, už nie je potrebné používať pumpičku nástrekú paliva.
2. Pritiahnite spínaciu/brzdovú páku k držadlu a držte ju (Obr. 6 – bod 2), potom zatiahnite za štartovacie lanko (Obr. 6 – bod 3). Motor by mal najneskôr po 3 – 4 zatiahnutiach naskočiť.
3. Motor vypnete uvoľnením spínacej/brzdovej páky.

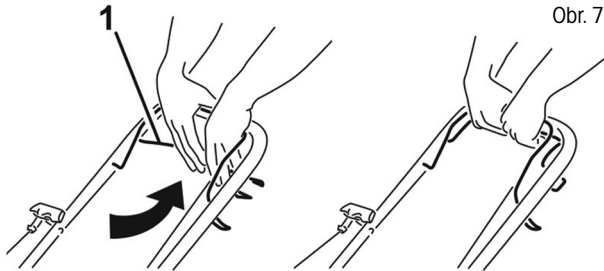
Obr. 6



- ⚠ Upozornenie** Po prvom naštartovaní motora môže dôjsť k miernemu výskytu dymu z dôvodu vypalovania ochranných vrstiev v motore. Ide o celkom bežnú situáciu, ktorá nepredstavuje žiadny problém.

## OVLÁDANIE POJAZDU

Pojazd sa ovláda pomocou páky pojazdu (Obr. 7 – bod 1). Po prítiahnutí páky k držadlu sa kosačka rozbehne. Na zastavenie páku opäť uvoľníte. Táto kosačka má jednu, konštantnú rýchlosť.



## ROZSAH POUŽITIA BENZÍNOVEJ KOSAČKY

Kosenie so zberom pokosenej trávy do koša na trávnu

Kosenie so zadným vyhadzovaním pokosenej trávy

Kosenie s bočným vyhadzovaním

Mulčovanie – kosenie s voľným ukladaním pokosenej trávy na trávnik

**⚠ Upozornenie! Nepoužívajte kosačku na svahoch s väčším sklonom než 20°, hrozí zadretie motora!**

### KOSENIE SO ZBEROM TRÁVY DO KOŠA

S nasadeným zberným košom prúdi pokosená tráva do koša.

**⚠ Upozornenie!** Pri zlom zbere pokosenej trávy zvýšte výšku kosenia a skontrolujte, či nie je trávnik vlhký.

### KOSENIE SO ZADNÝM VYHADZOVANÍM

Bez nasadeného zberného koša slúži kryt koša ako tzv. deflektor, ktorý usmerňuje pohyb pokosenej trávy smerom k zemi. Za kosačkou tak vzniká riadok pokosenej trávy.

### KOSENIE S BOČNÝM VYHADZOVANÍM

**⚠ Upozornenie** Bočný deflektor inštalujte a odoberajte výhradne pri vypnutom motore.

Rukou zdvihnite kryt bočného vyhadzovania a nasadte bočný deflektor (obr. 8). Pre kosenie s bočným vyhadzovaním je nutné inštalovať do vyhadzovacieho tunela mulčovaciu záslapku.



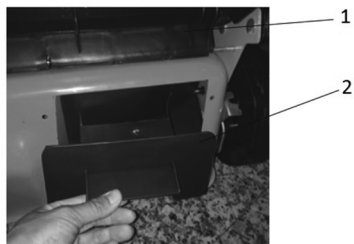
## MULČOVANIE

**⚠ Upozornenie** Mulčovací záslepku inštalujte a odoberajte výhradne pri vypnutom motore.

**⚠ Upozornenie** Pri mulčovaní používajte výhradne originálne mulčovacie príslušenstvo.

1. Odoberte kôš a rukou pridržiňte plastový kryt koša (Obr. 9 – bod 1).
2. Nasadíte mulčovací záslepku do vyhadzovacieho tunela (Obr. 9 – bod 2) a uistíte sa, že je usadená naozaj pevne.

**⚠ DÔLEŽITÁ INFORMÁCIA:** Nemulčujte prerastenú trávu naraz, zabránite tým preťaženiu mechanizmu kosačky a motora.



Obr. 9

## NASTAVENIE VÝŠKY KOSENIA

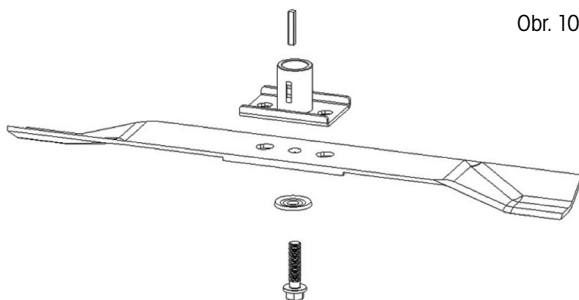
Výšku kosenia nastavíte centrálnou pomocou páky centrálného nastavenia výšky kosenia (Obr. 1 – bod 10). Voliť môžete v rozsahu 25 – 75 mm. Pre kosenie väčšiny trávnikov je najvhodnejšia stredná výška kosenia. Pri nastavení najnižšej výšky môže dôjsť k poškodeniu trávniku.

**⚠ Upozornenie!** Na dosiahnutie maximálnej efektivity trávu skracujte vždy iba o 1/3 jej dĺžky. Prerastenú trávu kosťte postupne a po každom kosení znížte nastavenie výšky o jeden stupeň. Ak chcete zachovať kvalitný trávnik, nepoužívajte nastavenie na najnižšiu výšku kosenia.

## VÝMENA ŽACÍCH NOŽOV

**⚠ Upozornenie** Na tento účel odporúčame kontaktovať autorizované servisné stredisko.

Ak chcete vymeniť žací nôž, demontujte skrutku (Obr. 10). Vykonajte montáž podľa uvedeného obrázka. Dotiahnite skrutku. Úťahovací moment je 40 Nm. Pri výmene noža súčasne vymeňte upínaciu skrutku noža.



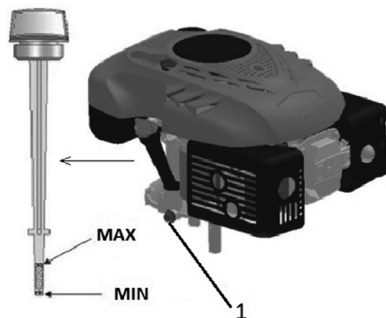
Obr. 10

## VÝMENA MOTOROVÉHO OLEJA

**⚠ Upozornenie** Na tento účel odporúčame kontaktovať autorizované servisné stredisko.

Vypúšťacia zátku sa nachádza pod motorom (Obr. 11 – bod 1). Umiestnite pod motor vhodnú nádobu na zachytenie použitého oleja a odoberte zátku. Nakloňte kosačku tak, aby mohol vytiecť všetok olej zo zásobníka.

Po vypustení oleja umiestnite zátku späť do otvoru, uistíte sa, že je zátku umiestnená riadne na svojom mieste, a utriete prípadné kvapky rozliateho oleja. Doplňte do zásobníka olej typu SAE30 alebo 15W-40. Po vložení mierky oleja do otvoru a jej utiahnutím by mala byť hladina oleja medzi rýskami Min. a Max. (Obr. 11). Nepreplňte zásobník oleja. Spustíte motor a nechajte ho krátko bežať. Zastavte motor, počkajte 1 minútu a premerajte hladinu oleja v zásobníku. V prípade potreby doplňte olej na požadovanú úroveň.



Obr. 11

## 8. BEZPEČNOSTNÉ POKYNY

### VŠEOBECNÉ BEZPEČNOSTNÉ POKYNY

- ☼ Tento výrobok slúži výlučne na kosenie trávy. Nepoužívajte ho na iné účely, než na aké je určený. V opačnom prípade hrozí jeho poškodenie či úraz.
- ☼ Nikdy nedovoľte deťom ani osobám bez znalosti tohto návodu na použitie so zariadením pracovať.
- ☼ Osoba, ktorá obsluhuje kosačku, zodpovedá za bezpečnosť osôb v pracovnom priestore. Kosačku nikdy nepoužívajte v tesnej blízkosti ostatných osôb, deťí alebo voľne pobeľajúceho zvieratstva.
- ☼ Pred začatím kosenia skontrolujte terén, na ktorom sa má kosačka použiť, a odstráňte z neho kamene, drôty, konáriky, črepy, kosti a ostatné cudzie telesá, ktoré by sa mohli zachytiť alebo vymrštiť a spôsobiť zranenie.

### POKYNY NA POUŽÍVANIE

- ☼ Všetky matice, svorníky a skrutky musia byť riadne dotiahnuté tak, aby zariadenie bolo v bezpečnom a prevádzkyschopnom stave.
- ☼ Kosačku nikdy nepoužívajte bez zberného koša alebo ochranného krytu.
- ☼ Kosačku nikdy nepoužívajte s uvoľnenými čepeľami noža. Vždy sa vopred uistite, či sú príslušné skrutky dobre utiahnuté. Otupeň čepele sa musia nabrúsiť, a to rovnomerne. Nože s poškodenými čepeľami je potrebné vymeniť.
- ☼ Pri práci s kosačkou používajte nohavice s dlhými nohavicami a pevnú obuv.
- ☼ Kosačku nikdy neštartujte v uzatvorených alebo zle vetraných priestoroch, kde sa môžu hromadiť výpary. Emisie vychádzajúce z motora obsahujú oxid uhoľnatý, ktorý je životu nebezpečný.
- ☼ Pracujte iba pri dostatočnom osvetlení (za denného svetla alebo pri dostatočnom umelom osvetlení).
- ☼ Kosačku nepoužívajte za dažďa alebo ak je tráva mokrá.
- ☼ Obzvlášť opatrne postupujte pri kosení vo zvýšenom teréne (svah). Vždy koste naprieč svahom, paralelne k vrstevnici, a nie zhora/zdola kolmo na ňu.
- ☼ Kosačku zásadne nenechávajte bežať bez obsluhy, ak kosačku opustíte, vypnite motor.
- ☼ Pri šartovaní nikdy nenadvihujte zadnú časť kosačky a nikdy nepribližujte končatiny k podvozku či do otvoru na zadné vyhadzovanie trávy, ak je motor zapnutý.
- ☼ Nikdy nemeňte nastavenie rýchlosti motora.
- ☼ Pri kosačkách s pojazdom uvoľnite pojazd pred spustením motora.
- ☼ Kosačku nikdy nepremiestňujte so spusteným motorom.

- ☼ Zastavte motor a odpojte zapalovaciu sviečku v nasledujúcich prípadoch:
  - pred vykonávaním akejkoľvek činnosti pod krytom kosenia či otvorom na zadné vyhadzovanie trávy.
  - pred vykonávaním údržby, opravy či kontroly stroja.
  - pred prenášaním, zdvíhaním či premiestňovaním kosačky.
  - ak ponechávate kosačku bez dozoru alebo sa chystáte upraviť nastavenie výšky kosenia.
  - pred demontážou a vyprázdňovaním zberného vaku.
  - Ak dôjde ku kolízii s cudzím predmetom, zastavte motor a kosačku starostlivo prezrite, aby ste vylúčili možnosť poškodenia. V prípade poškodenia, dopravte kosačku do špecializovaného servisu na opravu.

**⚠ POZOR:** Po vypnutí motora sa žací nôž niekoľko sekúnd aj naďalej točí.

- v prípade abnormálnych vibrácií kosačky (okamžite zistite a zaistíte odstránenie príčiny vibrácie).
- Na zaistenie bezpečnej prevádzky pravidelne kontrolujte riadne utiahnutie čapov, skrutiek a matíc na kosačke.

**⚠ POZOR:** PALIVO JE VYSOKO HORLAVÁ KVAPALINA.

- ☼ Palivo uchovávajte v nádobe na to určenej.
- ☼ Palivo doplňujte iba na otvorenom či dobre vetranom priestranstve. Pri manipulácii s palivom nefajčite, ani nepoužívajte mobilný telefón.
- ☼ Palivo doplňujte iba za predpokladu, že je motor vypnutý. Nikdy neatvárajte palivovú nádrž a palivo nedoplňujte, ak je motor horúci alebo v chode.
- ☼ Ak dôjde k rozliatiu benzínu, motor neštartujte. Odstráňte kosačku z miesta, kde bolo palivo rozliate, a vyvarujte sa možného vznietenia. V práci pokračujte až po odparení rozliateho paliva a rozptýlení palivových výparov.
- ☼ Po doplnení paliva dobre utiahnite kryt palivovej nádrže aj veko kanistra s palivom.

**⚠ POZOR:** Pred vykonávaním údržby alebo opravy zastavte motor a odpojte zapalovaciu sviečku.

## 9. ÚDRŽBA

### STAROSTLIVOSŤ O TRÁVNÍK

- ☼ Podľa druhu trávnej plochy je potrebné použiť rôzne spôsoby starostlivosti;
- ☼ Preto zakazdým si prečítajte pokyny uvedené v baleniach osív, týkajúce sa výšky kosenia vzhľadom na podmienky rastu v danej oblasti.
- ☼ Je potrebné mať stále na pamäti, že väčšia časť trávy je zložená zo stebľa a jedného alebo viacerých listov. Pri úplnom odseknutí listov dôjde k poškodeniu trávnik a obnovenie rastu bude omnoho ťažšie.
- ☼ Všeobecne platia nasledujúce pokyny:
  - príliš nízke kosenie spôsobuje narušenie koreňov a následne „škvritný“ vzhľad;
  - v lete sa musí kosť vyššie, aby sa zabránilo vysychaniu pôdy;
  - kosenie mokrej trávy môže spôsobiť zníženie účinnosti noža následkom zachytávania trávy na noži a vytrhávania trávneho porastu;
  - v prípade mimoriadne vysokej trávy je vhodné vykonať prvé kosenie s maximálnou dovolenou výškou stroja a potom vykonať druhé kosenie až po dvoch alebo troch dňoch.
- ☼ Trávnik bude mať lepší vzhľad pravidelným a celoplošným kosením rovnej výšky a dodržiavaním striedania dvoch smerov.

## ÚDRŽBA

**⚠ Upozornenie!** Kosačku vždy nakláňajte iba na stranu držadla (zadnú časť kosačky).

- ☼ Všetky matice, svorníky a skrutky musia byť riadne dotiahnuté tak, aby zariadenie bolo v bezpečnom a prevádzkyschopnom stave. Pravidelná údržba je základným predpokladom na zaistenie bezpečnosti používateľa, zachovanie prevádzkyschopnosti a vysokého výkonu kosačky.
- ☼ Zariadenie s benzínom v nádrži nikdy neuskładňujte vnútri budovy, kde by sa výpary mohli dostať do dosahu otvoreného ohňa, iskry alebo zdroja vysokej teploty.
- ☼ Pred uskladnením v akomkoľvek uzatvorenom priestore nechajte motor vychladnúť.
- ☼ Z dôvodu zníženia rizika požiaru zaistíte, aby kosačka a obzvlášť motor, tlmič výfuku, batéria a tiež miesto uloženia náhradného benzínu boli zbavené zvyškov trávy, lístia alebo nadmerného množstva maziva.
- ☼ Kontrolujte pravidelne stav deflektora a zberného koša; v prípade poškodenia ich vymeňte.
- ☼ Palivo vypúšťajte v dobre vetranom priestore pri vychladnutom motore.
- ☼ Pri odoberaní či inštalácii žacieho noža používajte hrubé pracovné rukavice.
- ☼ Po každom nabrúsení čepele žacieho noža je nutné prekontrolovať jeho vyváženie.

**⚠ POZOR:** Pred vykonávaním údržby alebo opravy zastavte motor a odpojte zapalovaciu sviečku.

- ☼ Pravidelne kosačku kontrolujte a zaistíte, aby sa všetky nánosy trávy v spodnej časti podvozka odstraňovali.
- ☼ Pravidelne mažte os podvozka a ložiská vhodným mazivom.
- ☼ Kontrolujte pravidelne stav nožov, pretože majú podstatný vplyv na výkon kosačky. Nože by mali byť vždy ostré a vyvážené.
- ☼ V pravidelných intervaloch kontrolujte dotiahnutie všetkých skrutiek a matíc. Opotrebované alebo zle dotiahnuté matice a skrutky môžu spôsobiť vážne poškodenia motora alebo rámu.
- ☼ Ak nôž prudko zasiahne prekážku, kosačku zastavte a odvezte ju do autorizovaného servisu.
- ☼ NŌŽ: nôž je vyrobený z lisovanej ocele. Aby ste docielili čo najlepšie kosenie, pravidelne nôž brúste, približne po každých 25 hodinách prevádzky. Uistite sa, či je nôž vždy správne vyvážení. Na tento účel vložte do stredového otvoru noža železnú osičku (s priemerom 2 – 3 mm). Ak je nôž správne vyvážení, os sa udrží v horizontálnej polohe.
- ☼ Ak sa nôž neudrží v horizontálnej polohe, vymeňte ho.
- ☼ Pri demontáži noža odskrutkujte skrutku, skontrolujte nosnú časť noža. Ak sú časti opotrebené alebo poškodené, vymeňte ich.

**⚠ POZOR:** Používajte iba originálne náhradné diely. Nekvalitné náhradné diely môžu spôsobiť vážne poškodenia kosačky a ohroziť vašu bezpečnosť.

## SERVIS

- ☼ V prípade, že po kúpe výrobku zistíte akúkoľvek poruchu, kontaktujte servisné oddelenie. Pri použití výrobku sa riadte pokynmi uvedenými v priloženom návode na použitie.
- ☼ Na reklamáciu sa nebude brať zreteľ, ak ste výrobok pozmenili či ste sa neriadili pokynmi uvedenými v návode na použitie.

## ZÁRUKA SA NEVZŤAHUJE

- ✿ Na prirodzené opotrebenie funkčnej časti stroja v dôsledku jeho používania.
- ✿ Na servisné zásahy súvisiace so štandardnou údržbou stroja (napr. čistenie, mazanie, nastavenie a pod.), na poruchy spôsobené vonkajšími vplyvmi (napr. klimatickými podmienkami, prašnosťou, nevhodným použitím a pod.).
- ✿ Na mechanické poškodenia v dôsledku pádu stroja, nárazu, úderu doň a pod.
- ✿ Na škody vzniknuté neodborným zaobchádzaním, preťažením, použitím nesprávnych dielov, nevhodných nástrojov a pod.
- ✿ Pri reklamovaných výrobkoch, ktoré neboli riadne zabezpečené proti mechanickému poškodeniu pri preprave nesie riziko prípadnej škody výhradne majiteľ.

## USKLADNENIE

- ✿ Ak stroj dlhší čas nepoužívate, prístroj uskladnite podľa nasledujúcich pokynov. Predĺžite tak životnosť stroja.
- ✿ Kompletne vylejte palivo z palivovej nádrže a karburátora.
- ✿ Vyskrutkujte zapalovaciu sviečku a nalejte do otvoru malé množstvo motorového oleja. Jemne potiahnite 2- až 3-krát štartér.
- ✿ Čistou handrou vyčistite vonkajšie plochy. Stroj uskladnite na čistom a suchom mieste.



## 10. TECHNICKÉ ÚDAJE

Motor	XP200
Typ motora	OHV, vzduchom chladený, 4-taktný
Nominálny výkon	3,5 kW
Otáčky motora	2900 ot./min
Zdvihový objem	196 cm <sup>3</sup>
Štartovanie	Ťahom
Objem palivovej nádrže	1,0 litra
Odporúčané palivo	Benzín – bezolovnatý, min. 95 oktánov
Objem olejovej nádrže	0,6 l
Odporúčaný olej	SAE30, 15W-40
Nastavenie výšky kosenia	Centrálne, 6 pozícií
Nastaviteľný rozsah výšky kosenia	25-75 mm
Záber kosenia	560 mm
Veľkosť kolies	Predné 200 mm, zadné 280 mm
Kapacita zberného koša	75 l
Šasi	oceľ
Deklarovaná úroveň hluku	98 dB(A)
Maximálna úroveň vibrácií	5,822 m/s (K=1,5)
Hmotnosť	33,9 kg

Zmena textu a technických parametrov vyhradená.

Zmeny v texte, dizajne a technických špecifikáciách sa môžu meniť bez predchádzajúceho upozornenia a vyhradujeme si právo na ich zmenu.

# 11. INTERVAL PRAVIDELNEJ ÚDRŽBY

<b>Interval pravidelnej údržby</b> vykonávajúte vždy v mesačnom alebo hodinovom intervale, podľa toho čo nastane skôr		Pred každým použitím	Pri novom stroji po 5 hodinách prevádzky	Každých 6 mesiacov alebo po 25 h prevádzky	Každý rok
Očistenie stroja, dotiahnutie spojovacích skrutiek		X			
Motorový olej	Kontrola hladiny	X			
	Výmena		X	X	
Vzduchový filter	Kontrola	X			
	Čistenie			X	
	Výmena				X
Sviečka	Kontrola a čistenie			X	
	Výmena				X
Kontrola mechanizmu pojazdu	Kontrola				X(*)
Voľnobeh	Kontrola a nastavenie				X(*)
Vôľa ventilov	Kontrola a nastavenie				X(*)
Spaľovacia komora	Čistenie				X(*)
Palivové potrubie	Kontrola a čistenie				X(*)
Celková preventívna kontrola					X(*)

\* túto údržbu zverte autorizovanému servisu

**⚠ Upozornenie!** V prípade používania kosačky v náročných podmienkach alebo prašnom prostredí vymieňajte olej a čistite vzduchový filter v častejších intervaloch.

## 12. DETEKCIA A ODSTRÁŇOVANIE PROBLÉMOV

Problém	Pravdepodobná príčina	Opatrenie
Motor nie je možné naštartovať	Klapka sýtiča v nesprávnej polohe	Presuňte páku sýtiča do správnej polohy
	Palivová nádrž je prázdna	Naplňte nádrž palivom
	Vzduchový filter je znečistený	Vyčistite vzduchový filter
	Uvoľnená zapalovacia sviečka	Utiahnite zapalovaciu sviečku na 25 – 30 Nm
	Zapaľovací kábel je uvoľnený alebo odpojený od zapalovacej sviečky	Namontujte zapaľovací kábel na zapalovaciu sviečku
	Nesprávna medzera medzi elektródami sviečky	Namontujte novú zapalovaciu sviečku so správnou medzerou medzi elektródami
	Chybný zapalovací modul	Kontaktujte servis
Motor sa ťažko štartuje alebo stráca výkon	Nečistota, voda alebo staré palivo v nádrži	Vypustíte palivo a vyčistíte nádrž. Naplňte nádrž čerstvým čistým palivom
	Upchatý vzduchový priechod vo viečku palivovej nádrže	Vyčistite alebo vymeňte viečko palivovej nádrže
	Vzduchový filter je znečistený	Vyčistite vzduchový filter
	Nečistota, voda alebo staré palivo v nádrži	Vypustíte palivo a vyčistíte nádrž. Naplňte nádrž čerstvým čistým palivom
	Upchatý vzduchový priechod vo viečku palivovej nádrže	Vyčistite alebo vymeňte viečko palivovej nádrže
	Vzduchový filter je znečistený	Vyčistite vzduchový filter
Motor beží nepravidelne	Chybná zapalovacia sviečka	Namontujte novú zapalovaciu sviečku so správnou medzerou medzi elektródami
	Nesprávna medzera medzi elektródami	Nastavte medzeru medzi elektródami na 0,7 až 0,8 mm
	Vzduchový filter je znečistený	Vyčistite vzduchový filter
Motor beží na voľnobeh zle	Vzduchový filter je znečistený	Vyčistite vzduchový filter
	Vzduchové medzery v kryte motora sú upchaté	Odstráňte nečistoty z medzier
	Chladiace rebra a priechody vzduchu pod ventilátorom motora sú upchaté	Odstráňte nečistoty z chladiacich rebier a priechodov vzduchu
Motor sa zastavuje pri vysokých otáčkach	Priliš malá medzera medzi elektródami na zapalovacej sviečke	Nastavte medzeru 0,7 až 0,8 mm
Motor sa prehrieva	Obmedzený prietok vzduchu	Odstráňte všetky nečistoty z medzier na kryte motora, kryte ventilátora a z priechodov vzduchu
	Nevhodná zapalovacia sviečka	Namontujte novú zapalovaciu sviečku so správnou medzerou medzi elektródami
Kosačka silne vibruje	Rezacia jednotka je uvoľnená	Utiahnite žací nôž
	Rezacia jednotka nie je vyvážená	Je potrebné vyvážiť žací nôž
	Ohnutý kľukový hriadeľ	Kontaktujte servis

**FAST**<sup>®</sup>

**FAST ČR, a.s.**  
 Černokostecká 1621, 251 01 Říčany, Czech Republic  
 tel.: +420 323 204 111, fax: +420 323 204 110

**VYHLASENIE O ZHODE**

**Produkt/ značka:** Benzinová kosačka na trávu/ **FIELDMANN**

**Type/ model:** **FZR 5611-B**  
 196 cm<sup>3</sup>, 3,5kW/2900 min<sup>-1</sup>  
 nameraná hladina akustického výkonu: L<sub>PA</sub>= 78dB(A)  
 garantovaná hladina akustického výkonu: L<sub>WA</sub>= 98dB(A)

**Výrobca:** FAST ČR, a.s.  
 Černokostecká 2111, 100 00 Praha 10, Czech Republic  
 VAT no: CZ26726548

**Výrobok je ve zhode s níže uvedenými smernicami a nariadeniami:**

Directive Machinery 2006/42/EC  
 Directive EMC 2014/30/EU  
 Directive Noise 2000/14/EC + 2005/88/EC  
 Directive Emission of gaseous 2016/1628/EU  
 Directive RoHS 2015/863/EU

**a normami:**

EN ISO 5395-1:2013+A1  
 EN ISO 5395-2:2013+A1+A2  
 EN ISO 14982:2009  
 EN ISO 3744:1995  
 ISO 11094:1991

**Vydáno v:** Praha**Meno:** Ing. Zdeněk Pech  
Chairman of the Board**Dátum vydanie:** 20. 8. 2019**Podpis:**

**FAST**<sup>®</sup> FAST ČR, a.s. ©  
 Černokostecká 1621, 251 01 Říčany  
 IČO: 26726548 tel.: +420/ 323 204 111  
 DIČ: CZ26726548 fax: +420/ 323 204 110

IČO: 26 72 65 48, DIČ: CZ-26 72 65 48

**Bankovní spojení:** Komerční banka Praha 1, č.ú. 89309011/0100, Česká spořitelna Praha 4, č.ú. 2375682/0800,  
 ČSOB Praha 1, č.ú. 8010-0116233383/0300

## 14. LIKVIDÁCIA

### POKYNY A INFORMÁCIE O ZAOBCHÁDZANÍ S POUŽITÝM OBALOM

Použitý obalový materiál odložte na miesto určené obcou na ukladanie odpadu.



Stroj a jeho príslušenstvo sú vyrobené z rôznych materiálov, napr. z kovu a plastov. Poškodené súčiastky odovzdajte do triedeného zberu. Informujte sa na príslušnom úrade.



Tento výrobok spĺňa všetky základné požiadavky smerníc EÚ, ktoré sa naň vzťahujú.

Zmeny v texte, dizajne a technických špecifikáciách sa môžu meniť bez predchádzajúceho upozornenia a vyhradujeme si právo na ich zmenu.

Preklad originálneho návodu na použitie.



# Benzines fűnyíró

## HASZNÁLATI ÚTMUTATÓ

**Köszönjük, hogy megvásárolta ezt a kerti benzines rotációs fűnyírót. Mielőtt használni kezdi, figyelmesen olvassa el ezt a használati útmutatót és őrizze meg a későbbiekre.**

### TARTALOM

1. ÁLTALÁNOS BIZTONSÁGI ELŐÍRÁSOK.....	64
Fontos biztonsági figyelmeztetések .....	64
Csomagolás .....	64
Használati útmutató .....	64
2. A GÉPEN TALÁLHATÓ, UTASÍTÁSOKAT TARTALMAZÓ CÍMKÉK MAGYARÁZATA .....	65
3. A FŰNYÍRÓ LEÍRÁSA.....	67
4. ÖSSZEÁLLÍTÁS/ELŐKÉSZÍTÉS .....	67
VEGYE KI A FŰNYÍRÓT A KARTONDOBOZBÓL .....	67
5. A FŰNYÍRÓ ÖSSZEÁLLÍTÁSA .....	68
6. A FŰNYÍRÓ BEKAPCSOLÁSA ELŐTT.....	69
Olaj betöltése.....	69
Üzemanyag feltöltése.....	69
7. A FŰNYÍRÓ KEZELÉSE ÉS ÜZEMELTETÉSE .....	70
A fűnyíró beindítása .....	70
A kerékmeghajtás kezelése.....	71
A benzines fűnyíró használatának módjai .....	71
Vágás és a fű összegyűjtése a kosárba .....	71
Vágás és a fű hátsó kidobása .....	71
Vágás oldalsó kidobással.....	71
Műcsozás.....	72
A vágási magasság beállítása .....	72
A vágókések cseréje .....	72
Olajcsere .....	72
8. BIZTONSÁGI UTASÍTÁSOK .....	73
Általános biztonsági előírások .....	73
Használati utasítások.....	73
9. KARBANTARTÁS .....	74
A gyepergő gondozása.....	74
Karbantartás.....	75
Szerviz .....	75
A jóállás nem vonatkozik .....	76
Tárolás.....	76
10. MŰSZAKI ADATOK.....	77
11. A RENDSZERES KARBANTARTÁSI INTERVALLUM .....	78
12. HIBAÉSZLELÉS ÉS HIBAELHÁRÍTÁS.....	79
13. MEGSEMMISÍTÉS .....	80

# 1. ÁLTALÁNOS BIZTONSÁGI ELŐÍRÁSOK

## FONTOS BIZTONSÁGI FIGYELMEZTETÉSEK

- ✿ A terméket gondosan csomagolja ki és ügyeljen arra, hogy ne dobjon ki semmit, mielőtt minden alkatrészt meg nem talál.
- ✿ A gépet tartsa száraz helyen és gyermekektől távol.
- ✿ Olvassa el az összes figyelmeztetést és utasítást. A figyelmeztetések és utasítások figyelmen kívül hagyásának áramütés, tűz és/vagy komoly sérülés lehet a következménye.


## CSOMAGOLÁS

A termék védőcsomagolásban van, hogy az átszállítás közbeni sérüléstől védve legyen. Ez a csomagolás újrahasznosítható anyagból készült.

## HASZNÁLATI ÚTMUTATÓ

Mielőtt használni kezdi a gépet, olvassa el a következő biztonsági előírásokat és a használati utasításokat. Ismerkedjen meg a kezelőelemekkel és a készülék helyes használatával. Az útmutatót gondosan őrizze meg későbbi szükség esetére. Javasoljuk, hogy legalább a jótállás idejére őrizze meg a termék eredeti dobozát, csomagolását, pénztárbizonylatát és jótállási jegyét.

Szállítás esetén csomagolja vissza az eredeti gyári csomagolásba, így maximális védelmet biztosít számára (pl. költözés vagy szervizbe küldés esetén).

 **Megjegyzés:** Ha a gépet újabb személynek adja el, az útmutatóval adja át. A használati útmutató utasításainak betartása a gép helyes használatának alapja. A használati útmutató szintűgy tartalmaz utasításokat a kezelésre, karbantartásra és javításra vonatkozóan.

**A gyártó nem felel az útmutató utasításainak be nem tartásából adódó balesetekért vagy károkért.**



## 2. A GÉPEN TALÁLHATÓ, UTASÍTÁSOKAT TARTALMAZÓ CÍMKÉK MAGYARÁZATA



Üzembe helyezés előtt figyelmesen olvassa el a használati útmutatót.



Másokat tartson távol a munkaterülettől.



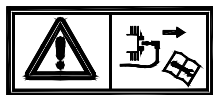
Vigyázat, forgó kések! Védekezzen a végtagok sérülésének veszélye ellen.



Mérgező gázok kibocsátása. A benzines fűnyíró ne használja zárt, vagy nem szellőző helyen.



Forró felületek, égési sérülés veszélye!



Karbantartás előtt kapcsolja ki a motort és csavarja ki a gyújtógyertyát.



Soha ne töltsön bele üzemanyagot, ha jár a motor.



Arra figyelmeztet, hogy az utasítások be nem tartása esetén személyi sérülés, halál, vagy a gép sérülésének veszélye fenyeget.



Használjon fülvédőt.  
Védje a látását.  
Gondoskodjon a légutak védelméről.



Állandóan tartson biztonságos távolságot a mozgó alkatrészekről.



Lejtőn a szintvonalak mentén, ne felfelé és lefelé haladjon.



Megfelel minden vonatkozó európai irányelvnek.



A benzin rendkívül gyúlékony, ezért üzemanyag betöltése előtt hagyja a motort 2 percig hűlni.

### 3. A FŰNYÍRÓ LEÍRÁSA

1. A futómű karja
2. Kapcsoló- / fékkar
3. Felső fogantyúrész
4. Gyorsrögzítő csavarok
5. Alsó fogantyúrész
6. A légszűrő fedele
7. Üzemanyag-befecskendező pumpa – Primer
8. Oldalkidobó terelőlap
9. Dugasz nivópálcával
10. A vágási magasság beállítására szolgáló kar
11. Kosár
12. A kosár fedele
13. Fogantyú-panel



### 4. ÖSSZEÁLLÍTÁS/ELŐKÉSZÍTÉS

A benzines fűnyíró összeállítása és beindítása előtt figyelmesen olvassa el a teljes használati útmutatót és a benne szereplő utasításokat.

- ⚠ FONTOS INFORMÁCIÓK:** A fűnyírót **ÜZEMANYAG ÉS OLAJ NÉLKÜL** szállítjuk. Az Ön új fűnyírója a gyártóüzemben kipróbálásra került, ezért a motorban minimális mennyiségű maradék olaj lehet.

#### **VEGYE KI A FŰNYÍRÓT A KARTONDOBOZBÓL**

Vegye ki a fűnyírót a kartondobozból és ellenőrizze, nem maradtak-e a dobozban alkatrészek.

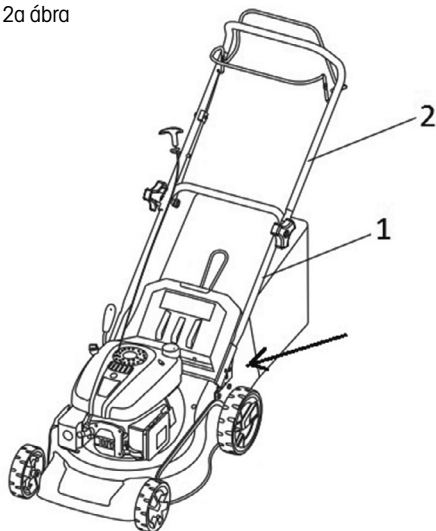
## 5. A FŰNYÍRÓ ÖSSZEÁLLÍTÁSA

**⚠ FONTOS INFORMÁCIÓK:** Óvatosan nyissa szét a fűnyíró fogantyúját, ne csípje be és ne sértse meg a fűnyíró kezelőszinórját.

### 1. A FOGANTYÚ ÖSSZEÁLLÍTÁSA

1. Dugja be a fogantyú alsó részét (2. ábra – 1. pont) a megfelelő nyílásokba a fűnyírón (ld. a nyilat) és rögzítse csavarral és anyával.
2. Az alsó beszereléshez a fogantyú magasságát a kiválasztott helyzetnek megfelelően állítja be. 2b ábra.
3. Csatlakoztassa a fogantyú felső részét (2a. ábra – 2. pont) a fogantyú alsó részéhez a mellékelt gyorskioldós csavarok és a szárnyas anyacsavarok segítségével (2c. ábra).

2a ábra



2b ábra



2c ábra



### 2. A FOGANTYÚ-PANEL FELSZERELÉSE

Rögzítse a fogantyú műanyag paneljét a mellékelt csavarok segítségével (3. ábra)



3. ábra

### 3. A KOSÁR ÖSSZEÁLLÍTÁSA

Rögzítse a kosár textil részének szélein levő műanyag kampókat az acélszerkezethez (4. ábra)



4. ábra

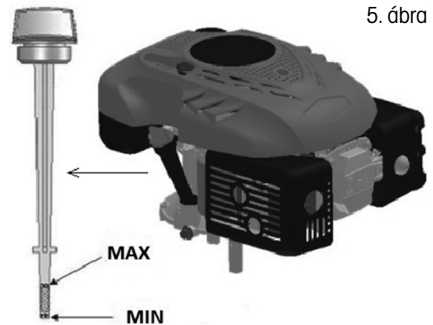
**⚠ FONTOS FIGYELMEZTETÉS:** A kosár telítettségmentővel van ellátva. Ez egy műanyag csapószelep a kosár hátsó részében. Ha a kosár nincs tele, a csapó nyitva van. Ha becsukódik, a kosarat ki kell üríteni.

## 6. A FŰNYÍRÓ BEKAPCSOLÁSA ELŐTT

### OLAJ BETÖLTÉSE

**A fűnyírót motorolaj nélkül szállítjuk. Az első beindítás előtt töltsön bele SAE30 vagy 15W-40 motorolajat (kb. 600 ml-t) az alábbiak szerint.**

1. Az olaj beöntésekor állítsa a fűnyírót egyenes felületre.
2. Vegye ki a dugaszt a nívópálcával az olajtöltő nyílásból (5. ábra).
3. Az olaj beöntése után tegye vissza a nívópálcát a nyílásba és csavarja be.
4. Az olajsintnek a felső (MAX) és az alsó (MIN) határérték között kell lennie (5. ábra).



5. ábra

**⚠ Figyelem!** NE TÖLTSE TÚL az olajtartályt, különben a beindítás után a kipufogóból nagy mennyiségű füst távozik.

**⚠ FONTOS INFORMÁCIÓK:** Az olajsintet a fűnyíró minden használata előtt ellenőrizze. Szükség esetén töltsse fel az olajat. Az olajat a nívópálcá MAX jelzéséig töltsse.

**⚠ FONTOS INFORMÁCIÓK:** A motorolajat az első 5 óra üzemelés után, majd minden 25 üzemóra után cserélje ki.

### ÜZEMANYAG FELTÖLTÉSE

**Ehhez a motortípushoz a megfelelő üzemanyag a NATURAL 95**

Az üzemanyagtartály fedelének lecsavarása után töltsse be az üzemanyagot. Az üzemanyagot az üzemanyagtartály nyílásáig töltsse, de ne töltsse túl a tartályt.

Mindig friss, tiszta és engedélyezett ólommentes, min. 95-ös oktánszámú benzint használjon.

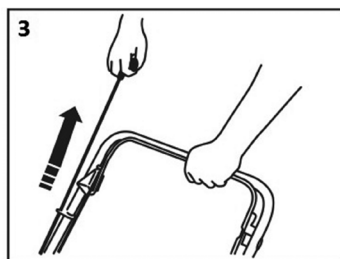
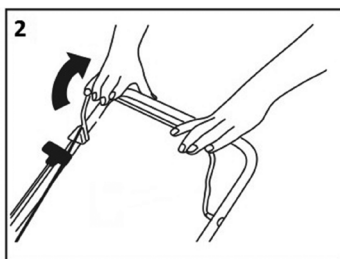
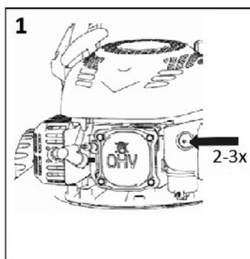
- ⚠ **Figyelem!** Ha az olaj vagy az üzemanyag a töltés közben a fűnyíróra cseppen, azonnal törölje le. Az üzemanyagot ne tárolja, ne töltsé és ne használja nyílt láng közelében.
- ⚠ **Figyelem!** Az alkohollal kevert, vagy etanol vagy metán adalékot tartalmazó üzemanyagok megköthetik a nedvességet, ami a tárolás során szeparálódhat és savképződést okozhat. Tárolás közben így a savak kipárolgásai károsíthatják a fűnyíró motorjának üzemanyagrendszerét. Ilyen üzemanyagok a fűnyíróban nem használhatók.
- ⚠ **FONTOS INFORMÁCIÓK:** Ha a fűnyírót több, mint 30 napig nem fogja használni, engedje ki az üzemanyagtartály tartalmát, indítsa be a motort és működtesse, amíg ki nem ürül az üzemanyag-vezeték és a karburátor (a motor magától leáll). Ezzel elkerülheti a későbbi gondokat a motorral. A következő használat előtt töltsön friss üzemanyagot a tartályba.

## 7. A FŰNYÍRÓ KEZELÉSE ÉS ÜZEMELTETÉSE

### A FŰNYÍRÓ BEINDÍTÁSA

1. Ha a motor hideg, indítás előtt nyomja meg 2-3-szor az üzemanyag-befecskendező pumpát (6. ábra – 1. pont).  
Ha a motor bemelegedett, már nincs szükség az üzemanyag-befecskendező pumpa használatára.
2. Húzza a kapcsoló-/fékkart a fogantyúhoz és tartsa (6. ábra – 2. pont), majd húzza meg az indítózsinórt (6. ábra – 3. pont). A motornak legkésőbb 3-4 berántás után be kell indulnia.
3. A motort a kapcsoló- / fékkar elengedésével kapcsolhatja ki.

6. ábra

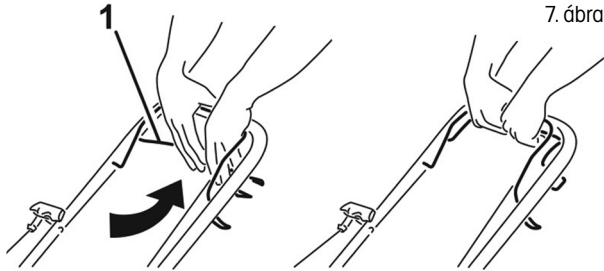


- ⚠ **Figyelem!** A motor első beindítása után kis mennyiségű füst távozhat, mivel a motor védőrétege leég. Ez normális jelenség, nem jelent hibát.

## A KERÉKMEGHAJTÁS KEZELÉSE

A kerékmeghajtás a futómű karjának (7. ábra – 1. pont) segítségével vezérelhető. Ha a kart a fogantyú felé húzza, a fűnyíró elindul.

A megállításhoz engedje el a kart. Ez a fűnyíró egy, állandó sebességfokozattal rendelkezik.



## A BENZINES FŰNYÍRÓ HASZNÁLATÁNAK MÓDJAI

Vágás és a levágott fű összegyűjtése a fűgyűjtő kosárba

Vágás és a levágott fű hátsó kidobása

Vágás oldalsó kidobással

Mulcsozás - vágás és a levágott fű szabad elhelyezése a gyepen

**⚠ Figyelem! Ne használja a fűnyírót 20°-nál meredekebb lejtőn, fennáll a motor megakadása!**

### VÁGÁS ÉS A FŰ ÖSSZEGYŰJTÉSE A KOSÁRBA

Ha fel van helyezve a gyűjtőkosár, a levágott fű a kosárba kerül.

**⚠ Figyelem!** Ha a nyírott fű összeszedése gyenge, növelje a fűnyírási magasságot, és győződjön meg róla, hogy a gyeper nem nedves.

### VÁGÁS ÉS A FŰ HÁTSÓ KIDOBÁSA

Ha nincs felhelyezve a gyűjtőkosár, a kosár fedele ún. terelőlapként működik, amely a levágott fűvet a föld felé irányítja. A fűnyíró mögött így a levágott fűből sor képződik.

### VÁGÁS OLDALSÓ KIDOBÁSSAL

**⚠ Figyelem!** Az oldalkidobó terelőlap behelyezését és eltávolítását kizárólag kikapcsolt motor mellett végezze.

Kézzel emelje fel az oldalsó kidobónyílás fedelét és helyezze fel az oldalkidobó terelőlapot (8. ábra).

Oldalsó kidobással történő vágás esetén a kidobójáratba be kell helyezni a mulcsozó dugót.



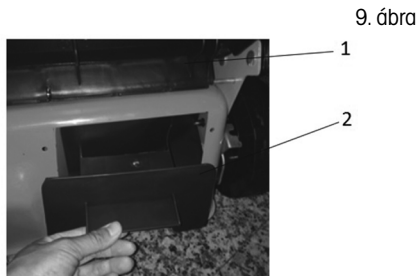
## MULCSOZÁS

**Figyelem!** A mulcsozó dugó behelyezését és eltávolítását kizárólag kikapcsolt motor mellett végezze.

**Figyelem!** Mulcsozáshoz kizárólag eredeti mulcsozó betétet használjon.

1. Vegye le a kosarat és a kezével tartsa meg a kosár műanyag fedelét (9. ábra – 1. pont).
2. Tegye a mulcsozó dugót a kidobójáratba (9. ábra – 2. pont) és ellenőrizze, hogy valóban stabilan áll-e.

**Figyelem! FONTOS INFORMÁCIÓK:** Ne egyszerre vágja le a túl nagyra nőtt fűvet, így elkerülheti a fűnyíró mechanizmusának és motorjának túlterhelését.



## A VÁGÁSI MAGASSÁG BEÁLLÍTÁSA

A vágási magasságot központilag állíthatja be a vágási magasság központi beállítására szolgáló kar segítségével (1. ábra – 10. pont).

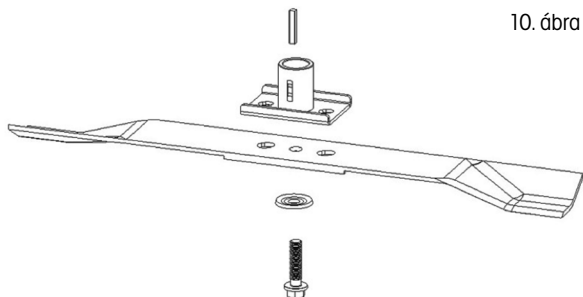
25 és 75 mm között választhat. A gyepek nagy részének vágásához a legmegfelelőbb a középső vágási magasság. A legalacsonyabb állás választása esetén sérülhet a gyepek.

**Figyelem!** A maximális hatékonyság érdekében mindig legfeljebb a fű hosszának az 1/3-át vágja le. A túl nagyra nőtt fűvet fokozatosan nyírja, és minden nyírásakor egy fokozattal csökkentse a vágási magasságot. Ha meg akarja őrizni a jó minőségű gyepeket, ne használja a legalsó vágási magasságot.

## A VÁGÓKÉSEK CSERÉJE

**Figyelem!** Javasoljuk, hogy ehhez lépjen kapcsolatba a szakszervizzel.

Ha ki szeretné cserélni a vágókést, szerelje le a csavart (10. ábra). Az ábra szerint végezze el a szerelést. Húzza meg a csavart. A meghúzási nyomaték 40 Nm. A kés cseréjekor egyúttal cserélje ki a kés rögzítőcsavarját is.



## OLAJCSERE

**Figyelem!** Javasoljuk, hogy ehhez lépjen kapcsolatba a szakszervizzel.

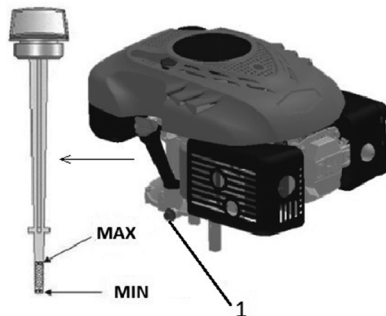
A kieresztő dugó a motor alatt található (11. ábra – 1. pont). Helyezzen a motor alá egy megfelelő edényt a használt olaj felfogásához, és húzza ki a dugót. Billentse meg a fűnyíró, hogy az összes olaj kifolyhasson a tartályból.



Az olaj leengedése után helyezze vissza a dugót a nyílásba, ellenőrizze, hogy a helyén van-e, és törölje le az esetleges olajcseppeket.

Töltsön a tartályba SAE30 vagy 15W-40 típusú olajat. A nívópálca behelyezése és becsavarása után az olajsíntnek a Min. és a Max. jelzés között kell lennie (11. ábra). Ne töltsen túl az olajtartályt.

Indítsa be a motort és rövid ideig működtesse. Állítsa le a motort, várjon 1 percig, majd mérje meg az olajsíntet a tartályban. Szükség esetén töltsen fel az olajat a szükséges szintre.



11. ábra

## 8. BIZTONSÁGI UTASÍTÁSOK

### ÁLTALÁNOS BIZTONSÁGI ELŐÍRÁSOK

- ☼ Ez a termék kizárólag fű nyírására szolgál. Ne használja a készüléket a rendeltetészerű használattól eltérő módon. Ellenkező esetben a készülék károsodása vagy sérülés veszélye fenyeget.
- ☼ Soha ne engedje, hogy gyermekek vagy az útmutatót nem ismerő személyek használják a gépet.
- ☼ A fűnyíró használóját felelős a munkaterületen található személyek biztonságáért. A fűnyíró soha ne használja más személyek, gyerekek vagy szabadon szaladgáló állatok közvetlen közelében.
- ☼ A fűnyírás megkezdése előtt ellenőrizze a terepet, ahol a fűnyíró használja, és távolítsa el a köveket, drótokat, cserepeket, csontokat és más idegen tárgyakat, amelyek beakadhatnak vagy kivágódhatnak és sérülést okozhatnak.

### HASZNÁLATI UTASÍTÁSOK

- ☼ Minden anyát, szegecset és csavart alaposan rögzíteni kell, úgy, hogy a készülék biztonságos és üzemkész állapotban legyen.
- ☼ A fűnyíró soha ne használja a gyűjtőkosár vagy a védőfedél nélkül.
- ☼ A fűnyíró soha ne használja, ha a kés pengéi lazák. Mindig előre ellenőrizze, hogy a megfelelő csavarok jól meg vannak-e húzva. A tompa pengéket ki kell élesíteni, mégpedig egyenletesen. A sérült pengékkel rendelkező kést ki kell cserélni.
- ☼ Ha a fűnyíróval dolgozik, használjon hosszú szárú nadrágot és stabil cipőt.
- ☼ A fűnyíró soha ne indítsa be zárt vagy rosszul szellőző helyen, ahol a kipufogógáz felgyűlhet. A motorból távozó gáz szénmonoxidot tartalmaz, ami életveszélyes.
- ☼ Csak megfelelő fényviszonyok mellett dolgozzon (nappali fénynél, vagy elegendő mesterséges világítás mellett).
- ☼ Ne használja a fűnyíró esőben, vagy ha a fű nedves.
- ☼ Különös óvatossággal végezze a fűnyírást, ha a talaj lejt vagy emelkedik. Mindig ferdén nyírjon, a szintvonalakkal párhuzamosan, soha ne merőlegesen rájuk, azaz fel/le.
- ☼ A fűnyíró soha ne hagyja felügyelet nélkül menni, ha nincs mellette, kapcsolja ki a motort.
- ☼ Indításkor soha ne emelje meg a fűnyíró hátsó részét és soha ne közelítsen a végtagjaival az alvázhoz vagy a hátsó kibőnyíláshoz, ha a motor jár.

- ☼ Soha ne módosítsa a motor sebességének beállítását.
- ☼ Kerékmeghajtású fűnyíró esetén engedje ki a kerékmeghajtást, mielőtt bekapcsolja a motort.
- ☼ A fűnyírót soha ne helyezze át működő motorral.
- ☼ Állítsa le a motort, és csavarja ki a gyújtógyertyát az alábbi esetekben:
  - mielőtt bármilyen tevékenységet folytat a vágófedél vagy a hátsó fűkidobó nyílás alatt.
  - a gép karbantartása, javítása vagy ellenőrzése előtt.
  - a fűnyíró felemelése vagy áthelyezése előtt.
  - ha a fűnyírót felügyelet nélkül hagyja, vagy ha módosítani akarja a vágási magasság beállítását.
  - a gyújtózsák leszerelése és kiürítése előtt.
  - ha idegen tárgynak ütközik, állítsa meg a motort, és a fűnyírót gondosan nézze át, hogy kizárja a meghibásodás lehetőségét. Meghibásodás esetén vigye a fűnyírót szakszervizbe javítás céljából.

**⚠ VIGYÁZAT:** A motor kikapcsolása után a vágókés még néhány másodpercig forog.

- ha a fűnyíró abnormálisan rázkódik (azonnal keresse meg és távolítsa el a rázkódás okát).
- a biztonságos működés érdekében rendszeresen ellenőrizze, hogy a szelepek, csavarok és anyák meg vannak húzva a fűnyíróban.

**⚠ VIGYÁZAT:** AZ ÜZEMANYAG ERŐSEN GYŰLÉKONY FOLYADÉK.

- ☼ Az üzemanyagot erre szolgáló edényben tartsa.
- ☼ Az üzemanyagot csak nyílt vagy jól szellőző helyen töltsse. Az üzemanyaggal való tevékenység alatt ne dohányozzon és ne használjon mobiltelefont.
- ☼ Üzemanyagot csak akkor töltsön, ha a motor ki van kapcsolva. Soha ne nyissa ki az üzemanyag-tartályt és ne töltsön bele üzemanyagot, ha a motor forró vagy jár.
- ☼ Ha kifolyik a benzin, ne indítsa el a motort. Távolítsa el a fűnyírót onnan, ahol az üzemanyag kifolyt, és vigyázzon, nehogy valami meggyulladjon. A munkát csak azután folytassa, hogy a kifolyt üzemanyag elpárolgott, és az üzemanyag gőze elszlott;
- ☼ Üzemanyag-töltés után jól csavarja be az üzemanyag-tartály tetejét és az üzemanyagkanna kupakját.

**⚠ VIGYÁZAT:** Karbantartás vagy javítás előtt állítsa le a motort és csavarja ki a gyújtógyertyát.

## 9. KARBANTARTÁS

### A GYEP GONDOZÁSA

- ☼ A füves terület típusától függően különböző gondozási módokra van szükség;
- ☼ Ezért mindig olvassa el a vetőmag csomagolásán található utasításokat, melyek az adott területen való növekedés körülményei között adnak tanácsot a vágási magasságra.
- ☼ Ne feledje, hogy a fűfélék nagy része szárból és egy vagy több levélből áll. A levelek teljes levágása esetén károsodik a gyepek, és sokkal nehezebben fog újra nőni.
- ☼ Általánosságban a következő utasítások érvényesek:
  - a túl alacsony vágás megsérti a gyökereket, aminek a következménye „foltos” megjelenés;
  - nyáron magasabb vágás szükséges, hogy védje a talajt a kiszáradástól;
  - nedves fű vágása csökkentheti a kés hatékonyságát, mivel ráragadhat a fű és kiszakíthatja a füves növényzetet;
  - nagyon magas fű esetén ajánlott először a legmagasabb vágási magasságon vágni, majd két-három nap múlva megismételni a vágást.

- ☼ A gyep szebb lesz, ha azonos magasságban, rendszeresen és az egész felületen vágják, felváltva a két irányban.

## KARBANTARTÁS

**⚠ Figyelem!** A fűnyírót a fogantyú oldalára fordítsa (a fűnyíró hátsó része).

- ☼ Minden anyát, szegecset és csavart alaposan rögzíteni kell, úgy, hogy a készülék biztonságos és üzembesz állapotban legyen. A rendszeres karbantartás alapvető feltétele a felhasználó biztonságának, a fűnyíró működőképessége és magas teljesítménye megőrzésének.
- ☼ A gépet benzinnel a tartályában soha ne tárolja olyan épületben, ahol a kipárolgás kapcsolatba kerülhet nyílt lánggal, szikrával vagy magas hőmérséklet forrásával.
- ☼ Bármilyen zárt helyen való tárolás előtt hagyja a motort kihűlni.
- ☼ Tűzveszély csökkentése érdekében gondoskodjon róla, hogy a fűnyírón, különösen a motoron, a kipufogó hangtompítóján, az akkumulátoron, valamint a tartalék benzin tárolási helyén ne maradjon fű, falevelek vagy túl sok kenőanyag.
- ☼ Rendszeresen ellenőrizze a terelőlap és a gyűjtőkosár állapotát; sérülés esetén cserélje ki őket.
- ☼ Az üzemanyag kiengedését jól szellőző helyen, hideg motor mellett végezze.
- ☼ A vágókés levétele vagy felszerelése esetén használjon vastag védőkesztyűt.
- ☼ A vágókés pengéjének minden élesítése után ellenőrizni kell a kiegyensúlyozását.

**⚠ VIGYÁZAT:** Karbantartás vagy javítás előtt állítsa le a motort és csavarja ki a gyújtógyertyát.

- ☼ Rendszeresen ellenőrizze a fűnyírót és gondoskodjon az alváz alsó részében levő fű eltávolításáról.
- ☼ Rendszeresen kenje megfelelő kenőanyaggal az alváz tengelyét és a csapágycsapatot.
- ☼ Rendszeresen ellenőrizze a kések állapotát, mivel alapvetően befolyásolják a fűnyíró teljesítményét. A kések mindig legyenek élesek és kiegyensúlyozottak.
- ☼ Rendszeres időközönként ellenőrizze, hogy valamennyi csavar és anya megfelelően meg van-e húzva. Az elhasznált vagy rosszul meghúzott anyák és csavarok a motor vagy a váz komoly sérülését okozhatják.
- ☼ Ha a kés hirtelen akadályba ütközik, a fűnyírót állítsa le és vigye szakszervizbe.
- ☼ KÉS: préselt acélból készült. A legjobb vágás érdekében rendszeresen, körülbelül 25 óra működés után élesítse a kést. Győződjön meg róla, hogy a kés mindig megfelelően ki van-e egyensúlyozva. Ebből a célból tegyen a kés középső nyílásába egy (kb. 2-3 mm átmérőjű) kis vas tengelyt. Ha a kés megfelelően ki van egyensúlyozva, a tengely vízszintes helyzetben marad.
- ☼ Ha a kés nem marad vízszintes helyzetben, cserélje ki.
- ☼ A kés leszerelésekor csavarja ki a csavart, ellenőrizze a kés hordozó részét. Ha az alkatrészek elhasználódtak vagy sérültek, cserélje ki őket.

**⚠ VIGYÁZAT:** Csak eredeti pótalkatrészeket használjon. A gyenge minőségű pótalkatrészek a fűnyíró komoly meghibásodását okozhatják és fenyegethetik az Ön biztonságát.

## SZERVIZ

- ☼ Amennyiben a termék megvásárlása után bármilyen hibát tapasztal, vegye fel a kapcsolatot a szervizrészleggel. A termék használata során tartsa be a mellékelt használati útmutató utasításait.
- ☼ A reklamáció elutasításra kerül, ha a terméket módosította, vagy nem tartotta be a használati útmutató utasításait.

## A JÓTÁLLÁS NEM VONATKOZIK

- ✿ A gép funkcionális részeinek használat közbeni természetes elhasználódására.
- ✿ A gép rendszeres karbantartásával összefüggő szerviz-beavatkozásokra (pl. tisztítás, kenés, beállítás, stb.)  
A külső hatások (pl. éghajlati viszonyok, por, nem megfelelő használat, stb.) által okozott hibákra.
- ✿ A gép leesése, ütközése és hasonlók miatti mechanikus sérülésekre
- ✿ A nem szakszerű bánásmód, túlterhelés, nem megfelelő alkatrészek, nem alkalmas szerszámok használata és hasonlók által okozott károokra.
- ✿ Az olyan reklamált termékek esetén, amelyek nem voltak megfelelően biztosítva a szállítás során a mechanikus sérülések ellen, az esetleges károkért kizárólag a tulajdonos felelős.

## TÁROLÁS

- ✿ Ha a gépet hosszabb ideig nem használja, az alábbi utasítások alapján tárolja. Ezzel meghosszabbítja a gép élettartamát.
- ✿ Teljesen engedje ki az üzemyagot a tartályból és a karburátorból.
- ✿ Csavarja ki a gyújtógyertyát és a nyílásba öntsön egy kevés motorolajat. Finoman húzza meg az indítókart 2-3-szor.
- ✿ Egy tiszta ronggyal tisztítsa meg a külső felületeket. A gépet tiszta és száraz helyen tárolja.

## 10. MŰSZAKI ADATOK

Motor	XP200
A motor típusa	OHV, léghűtéses, 4-ütemű
Névleges teljesítmény	3,5 kW
A motor fordulatszáma	2900 ford./perc
Hengerűrtartalom	196 cm <sup>3</sup>
Indítás	Húzással
Az üzemanyagtartály térfogata	1,0 liter
Ajánlott üzemanyag	Benzin - ólommentes, min. 95-ös oktánszámú
Az olajtartály űrtartalma	0,6 l
Ajánlott olaj	SAE30, 15W-40
A vágási magasság beállítása	Központi, 6 állás
A vágási magasság beállítható terjedelme	25-75 mm
A fűnyírás szélessége	560 mm
A kerekek mérete	Első 200 mm, hátsó 280 mm
A gyűjtőkosár kapacitása	75 l
Készülékház	acél
Deklarált zajszint	98 dB(A)
Maximális vibrációs szint	5,822 m/s (K=1,5)
Súly	33,9 kg

A szöveg és műszaki paraméterek változtatásának joga fenntartva.

Változtatások a szövegben, a kivitelben és a műszaki jellemzőkben előzetes figyelmeztetés nélkül történhetnek, a módosításra vonatkozó jog fenntartva.

## 11. A RENDSZERES KARBANTARTÁSI INTERVALLUM

<b>A rendszeres karbantartási intervallumokathavi</b> vagy órás intervallumban végezze, attól függően, hogy melyik következik be előbb		Minden használat előtt	Új gép esetén 5 üzemóra után	6 havonta vagy 25 üzemóra után	Minden évben
A gép tisztítása, a csatlakozó csavarok meghúzása		X			
Motorolaj	Szintellenőrzés	X			
	Csere		X	X	
Légszűrő	Ellenőrzés	X			
	Tisztítás			X	
	Csere				X
Gyertya	Ellenőrzés és tisztítás			X	
	Csere				X
Ellenőrizze a meghajtási mechanizmust	Ellenőrzés				X(*)
Üresjárat	Ellenőrzés és beállítás				X(*)
A szelepek holtjátéka	Ellenőrzés és beállítás				X(*)
Égéstér	Tisztítás				X(*)
Üzemanyagcső	Ellenőrzés és tisztítás				X(*)
Teljes megelőző kontroll					X(*)

\* ezt a karbantartást bízza szakszervizre

**⚠ Figyelem!** Ha a fűnyírót nehéz vagy poros körülmények között használja, cserélje ki az olajat és tisztítsa a légszűrőt gyakrabban

## 12. HIBAÉSZLELÉS ÉS HIBAEELHÁRÍTÁS

Probléma	Valószínű ok	Intézkedés
A motort nem lehet elindítani	A szivatószelep rossz helyzetben van	Állítsa a szivatókart a megfelelő helyzetbe
	Az üzemanyagtartály üres	Töltse fel a tartályt üzemanyaggal
	A légszűrő szennyezett	Tisztítsa ki a légszűrőt
	Laza gyújtógyertya	Húzza meg a gyújtógyertyát 25-30 Nm-re
	A gyújtókábel meglazult vagy nem csatlakozik a gyújtógyertyához	Csatlakoztassa a gyújtókábel a gyújtógyertyához
	Nem megfelelő rés a gyertya elektródái között	Szereljen be egy új gyújtógyertyát megfelelő távolsággal az elektródák között
	Hibás gyújtásmódul	Vegye fel a kapcsolatot a szervizzel
A motort nehéz elindítani, vagy elveszíti a teljesítményét	Szennyeződés, víz vagy régi üzemanyag a tartályban	Engedje le az üzemanyagot és tisztítsa ki a tartályt. Töltse fel a tartályt friss tiszta üzemanyaggal
	Eldugult szellőzőnyílás az üzemanyagtartály fedelében	Tisztítsa meg vagy cserélje ki az üzemanyagtartály fedelet
	A légszűrő szennyezett	Tisztítsa ki a légszűrőt
	Szennyeződés, víz vagy régi üzemanyag a tartályban	Engedje le az üzemanyagot és tisztítsa ki a tartályt. Töltse fel a tartályt friss tiszta üzemanyaggal
	Eldugult szellőzőnyílás az üzemanyagtartály fedelében	Tisztítsa meg vagy cserélje ki az üzemanyagtartály fedelet
A motor rendszertelenül működik	A légszűrő szennyezett	Tisztítsa ki a légszűrőt
	Hibás gyújtógyertya	Szereljen be egy új gyújtógyertyát megfelelő távolsággal az elektródák között
	Nem megfelelő rés az elektródák között	Állítsa az elektródák közötti távolságot 0,7 – 0,8 mm-re
A motor alapjáraton rosszul jár	A légszűrő szennyezett	Tisztítsa ki a légszűrőt
	A motorfedél légrései eldugultak	Távolítsa el a szennyeződést a résekből
	A motorventilátor alatti hűtőbordák és légcatornák eldugultak	Távolítsa el a szennyeződést a hűtőbordákból és a légcatornákból
A motor nagy fordulatszámnál leáll	Túl kicsi rés a gyújtógyertya elektródái közt	A rést állítsa 0,7 - 0,8 mm-re
A motor túlmelegszik	Korlátozott levegőáramlás	Távolítsa el a szennyeződést a motorfedélről, a ventilátorfedélről és a légcatornák réseiből
	Nem megfelelő gyújtógyertya	Szereljen be egy új gyújtógyertyát megfelelő távolsággal az elektródák között
A fűnyíró erősen rezeg	A vágóegység laza	Húzza meg a vágópengét
	A vágóegység nem kiegyensúlyozott	A kést ki kell egyensúlyozni
	Hajlott főtengely	Vegye fel a kapcsolatot a szervizzel

## 13. MEGSEMMISÍTÉS

### A HASZNÁLT CSOMAGOLÓANYAGOKRA VONATKOZÓ UTASÍTÁSOK ÉS TÁJÉKOZTATÓ

A használt csomagolóanyagot az önkormányzat által kijelölt hulladékgyűjtő helyen adja le.



A gép és tartozékai különböző anyagokból, pl. fémből és műanyagból készültek.  
A sérült alkatrészeket adja le szelektív gyűjtőhelyen. Tájékoztadjon a vonatkozó hivatalnál.



Ez a termék teljesíti az összes rá vonatkozó EU irányelv követelményeit.

Változtatások a szövegben, a kivitelben és a műszaki jellemzőkben előzetes figyelmeztetés nélkül történhetnek, a módosításra vonatkozó jog fenntartva.

Az eredeti használati útmutató fodítása.



# Spalinowa kosiarka do trawy

## INSTRUKCJA OBSŁUGI

**Dziękujemy za zakupienie tej ogrodowej spalinowej kosiarki rotacyjnej. Zanim zaczniesz z niej korzystać, przeczytaj uważnie niniejszą instrukcję obsługi i zachowaj ją do wglądu.**

### SPIS TREŚCI

1. OGÓLNE ZASADY BEZPIECZEŃSTWA.....	82
Ważne instrukcje dotyczące bezpieczeństwa.....	82
Opakowanie .....	82
Instrukcja obsługi.....	82
2. WYJAŚNIENIE TABLICZEK ZE WSKAZÓWKAMI ZNAJDUJĄCYCH SIĘ NA MASZYNIE.....	83
3. OPIS KOSIARKI.....	85
4. MONTAŻ/PRZYGOTOWANIE .....	85
WYJMIJ KOSIARKĘ Z KARTONOWEGO OPAKOWANIA.....	85
5. MONTAŻ KOSIARKI.....	86
6. PRZED URUCHOMIENIEM KOSIARKI.....	87
Wlewanie oleju .....	87
Uzupełnianie paliwa .....	87
7. OBSŁUGA I EKSPLOATACJA KOSIARKI.....	88
Uruchamianie kosiarki.....	88
Obsługa napędu .....	89
Zakres użycia kosiarki spalinowej.....	89
Koszenie z gromadzeniem skoszonej trawy w koszu .....	89
Koszenie z tylnym wyrzutem .....	89
Koszenie z wyrzutem bocznym.....	89
Mulczowanie.....	90
Ustawienia wysokości koszenia.....	90
Wymiana noży tnących .....	90
Wymiana oleju silnikowego .....	90
8. WSKAZÓWKI BEZPIECZEŃSTWA.....	91
Ogólne wskazówki bezpieczeństwa.....	91
Instrukcja użycia .....	91
9. KONSERWACJA.....	92
Pielęgnacja trawnika.....	92
Konserwacja.....	93
Serwis .....	94
Gwarancja nie dotyczy.....	94
Przechowywanie.....	94
10. DANE TECHNICZNE.....	95
11. ODSTĘPY MIĘDZY PRZEGLĄDAMI OKRESOWYMI.....	96
12. WYKRYWANIE I USUWANIE PROBLEMÓW .....	97
13. LIKWIDACJA .....	98

# 1. OGÓLNE ZASADY BEZPIECZEŃSTWA

## WAŻNE INSTRUKCJE DOTYCZĄCE BEZPIECZEŃSTWA

- ✿ Rozpakuj uważnie wyrób, zwracając przy tym uwagę, abyś nie wyrzucił żadnej części materiału opakowaniowego, zanim nie znajdziesz wszystkich części wyrobu.
- ✿ Przechowuj urządzenie w suchym miejscu z dala od dzieci.
- ✿ Przeczytaj wszystkie uwagi i wskazówki. Nieprzestrzeganie ostrzeżeń i wskazówek może spowodować porażenie prądem elektrycznym, pożar lub ciężkie obrażenia.

## OPAKOWANIE


Wyrób został umieszczony w opakowaniu chroniącym je przed uszkodzeniem podczas transportu. Opakowanie to jest surowcem i dlatego podlega recyklingowi.

## INSTRUKCJA OBSŁUGI

Zanim rozpoczniesz pracę z urządzeniem, przeczytaj następujące zasady bezpieczeństwa i wskazówki dotyczące użytkowania.

Zapoznaj się z elementami sterowania i prawidłowym użyciem urządzenia. Instrukcję należy starannie zachować do wglądu. Co najmniej w okresie gwarancyjnym zalecamy zachowanie oryginalnego opakowania łącznie z wewnętrznym materiałem opakowaniowym, dokument kasowy i kartę gwarancyjną.

W razie transportu zapakuj maszynę z powrotem do oryginalnego pudełka dostarczonego przez producenta, zapewniając w ten sposób maksymalną ochronę produktu podczas ewentualnego transportu (np. przeprowadzki lub wysyłki do serwisu).

 **Uwaga:** Jeśli przekazujesz maszynę innym osobom, przekaz ją razem z instrukcją. Przestrzeganie załączonej instrukcji obsługi stanowi założenie prawidłowego użycia urządzenia. Instrukcja obsługi zawiera również wskazówki dotyczące obsługi, konserwacji i naprawy.

**Producent nie ponosi odpowiedzialności za wypadki lub szkody powstałe na skutek nieprzestrzegania niniejszej instrukcji.**

## 2. WYJAŚNIENIE TABLICZEK ZE WSKAZÓWKAMI ZNAJDUJĄCYCH SIĘ NA MASZYNIE



Przed uruchomieniem urządzenia prosimy o uważne zapoznanie się z instrukcją obsługi.



Pozostałe osoby powinny znajdować się poza obszarem pracy.



Uwaga, noże rotujące! Unikać ryzyka urazu kończyn.



Emisja gazów toksycznych. Nie korzystaj z kosiarki spalinowej w pomieszczeniach zamkniętych lub nie wentylowanych.



Powierzchni gorące, ryzyko oparzeń!



Przed rozpoczęciem konserwacji wyłącz silnik i odłącz świecę zapłonową.



Nigdy nie dolewaj paliwa przy włączonym silniku.



Uwaga, w przypadku nieprzestrzegania zaleceń zagraża ryzyko obrażeń osób, śmierci lub uszkodzenia urządzenia.



Używaj ochronników słuchu.

Używaj środków ochrony wzroku.

Używaj środków ochrony dróg oddechowych.



Zachowaj stale odstęp od poruszających się części.



Poruszaj się po zboczu wzdłuż poziomic, nie zaś w górę i w dół.



Produkt spełnia wszystkie odpowiednie dyrektywy europejskie.



Benzyna jest substancją skrajnie łatwopalną, dlatego przed dolaniem paliwa pozostaw silnik na 2 minuty do wystygnięcia.

### 3. OPIS KOSIARKI

1. Dźwignia napędu
2. Dźwignia zapłonu/hamulca
3. Górna część uchwyty
4. Śruby szybkości
5. Dolna część uchwyty
6. Osłona filtra powietrza
7. Pompka wtrysku paliwa – Primer
8. Deflektor wyrzutu bocznego
9. Korek z miarką oleju
10. Dźwignia regulacji wysokości koszenia
11. Kosz
12. Pokrywa kosza
13. Panel uchwyty



### 4. MONTAŻ/PRIYGOTOWANIE

Przed zmontowaniem i uruchomieniem kosiarki spalinowej dokładnie przeczytaj całą instrukcję obsługi i zawarte w niej polecenia.

- ⚠ WAŻNA INFORMACJA:** Kosiarka została dostarczona **BEZ PALIWA I OLEJU** w silniku. Twoja nowa kosiarka do trawy została przetestowana w zakładzie produkcyjnym, dlatego w silniku może się znajdować minimalna ilość resztek oleju.

#### WYMIJ KOSIARKĘ Z KARTONOWEGO OPAKOWANIA

Wymij kosiarkę z kartonowego opakowania i sprawdź, czy w opakowaniu nie pozostały wolne części.

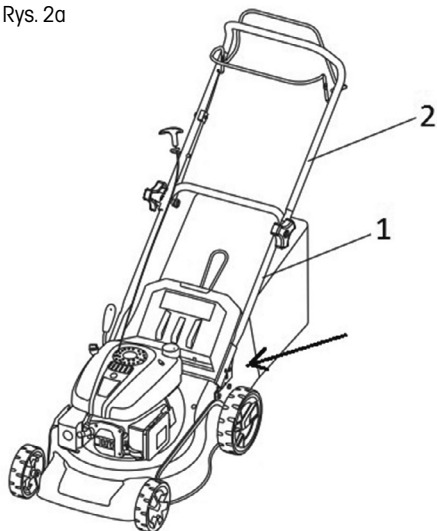
## 5. MONTAŻ KOSIARKI

**⚠ WAŻNA INFORMACJA:** Ostrożnie rozłóż rękojeść kosiarki tak, aby nie przytrzasnąć ani nie uszkodzić linki.

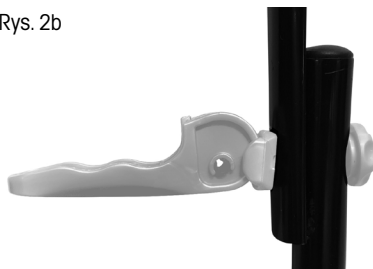
### 1. MONTAŻ UCHWYTU

1. Wsuń spodnią część uchwytu (rys. 2 – punkt 1) w odpowiednie otwory w kosiarce (patrz strzałka) i zabezpiecz za pomocą śruby i nakrętki.
2. W zależności od wybranej pozycji montażu dolnego ustaw wysokość uchwytu Rys. 2b
3. Połącz górną część uchwytu (Rys. 2a – punkt 2) z dolną częścią uchwytu za pomocą dołączonych śrub szybkowzmaciskowych i nakrętek motylkowych (Rys. 2c).

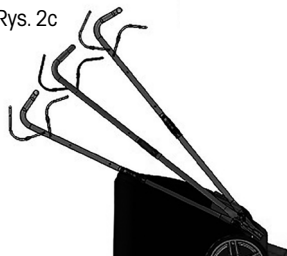
Rys. 2a



Rys. 2b

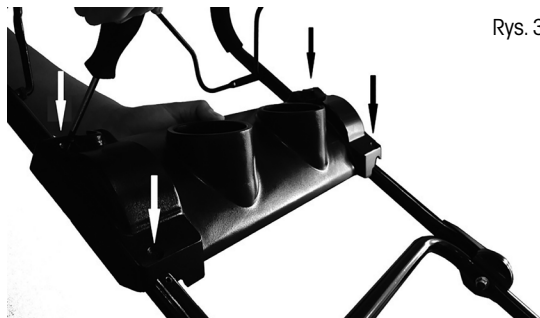


Rys. 2c



### 2. INSTALACJA PANELU UCHWYTU

Za pomocą dostarczonych śrub przymocuj plastikowy panel uchwytu (rys. 3).



Rys. 3

### 3. ZAKŁADANIE KOSZA

Przymocuj plastikowe haczyki znajdujące się na zakończeniu tekstylnej części kosza do stalowej konstrukcji (rys. 4).



Rys. 4

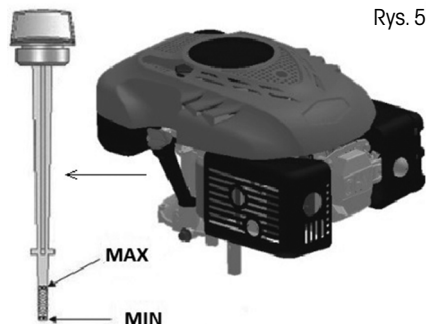
**⚠ WAŻNE OSTRZEŻENIA:** Kosz jest wyposażony w element sygnalizujący jego napętnienie. Jest to plastikowa kłapka znajdująca się w tylnej części kosza. Jeśli kosz nie jest napętniony, kłapka jest podniesiona. Po jej zamknięciu należy wysypać zawartość kosza.

## 6. PRZED URUCHOMIENIEM KOSIARKI

### WLEWANIE OLEJU

**Kosiarka została dostarczona bez oleju silnikowego. Przed pierwszym uruchomieniem wlej olej silnikowy SAE30 lub 15W-40 (ok. 600 ml) przestrzegając poniższych wskazówek.**

1. Przed rozpoczęciem wlewania oleju postaw kosiarkę na równej powierzchni.
2. Wyjmij korek z miarką oleju z otworu służącego do wlewania oleju (Rys. 5).
3. Po dolaniu oleju umieść miarkę z powrotem w otworze i dokręć ją.
4. Poziom oleju musi się znajdować pomiędzy górną (MAX) i dolną (MIN) granicą (Rys. 5).



Rys. 5

**⚠ Uwaga!** NIE PRZEPEŁNIAJ pojemnika z olejem, w przeciwnym wypadku po uruchomieniu kosiarki z rury wydechowej zacznie się wydobywać duża ilość dymu.

**⚠ WAŻNA INFORMACJA:** Sprawdź poziom oleju przed każdym użyciem kosiarki. W razie potrzeby dolej olej. Dolewaj olej do kreski MAX znajdującej się na miarce oleju.

**⚠ WAŻNA INFORMACJA:** Wymień olej po pierwszych 5 godzinach pracy, a następnie po każdych 25 godzinach pracy.

### UZUPEŁNIANIE PALIWA

**Odpowiednim paliwem dla tego typu silnika jest NATURAL 95**

Po odkręceniu korka zbiornika na paliwo dolej paliwo aż do szyjki zbiornika na paliwo. Nie przepętniaj zbiornika. Dolewaj zawsze świeżą, czystą i certyfikowaną benzynę bezołowiową o liczbie oktanowej min. 95.

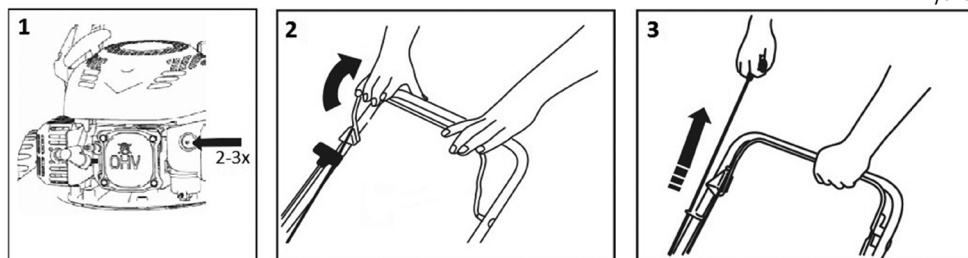
- ⚠ Uwaga!** Jeśli podczas dolewania oleju czy paliwa zabrudzisz kosiarkę, natychmiast ją wytrzyj. Nie przechowuj, nie dolewaj paliwa ani nie manipuluj nim w pobliżu otwartego ognia.
- ⚠ Uwaga!** Paliwo zmieszane z alkoholem czy paliwo z domieszką etanolu czy metanu może wiązać wilgoć, co może prowadzić podczas magazynowania do separacji i powstawania kwasów. Podczas przechowywania opary kwasów mogą uszkodzić system paliwowy silnika kosiarki. Takie paliwo nie może być w kosiarce używane.
- ⚠ WAŻNA INFORMACJA:** Jeśli nie będziesz używać kosiarki przez dłużej niż 30 dni, opróżnij zbiornik paliwa, uruchom silnik i pozostaw go włączony, dopóki nie dojdzie do opróżnienia rur paliwowych i gaźnika (silnik sam zgaśnie). Ten sposób postępowania zapobiega powstaniu problemów z silnikiem w przyszłości.  
Przed ponownym użyciem dolej do zbiornika świeże paliwo.

## 7. OBSŁUGA I EKSPLOATACJA KOSIARKI

### URUCHAMIANIE KOSIARKI

1. Jeśli silnik nie jest przed uruchomieniem rozgrzany, wciśnij 2-3 razy pompkę wtrysku paliwa (Rys. 6 – punkt 1).  
Jeśli silnik jest rozgrzany, nie ma potrzeby korzystania z pompki wtrysku paliwa.
2. Przyciągnij dźwignię zapiętu/hamulca do uchwytu i przytrzymaj ją (Rys. 6 – punkt 2), a następnie pociągnij za linkę rozrusznika (Rys. 6 – punkt 3). Silnik powinien się uruchomić najpóźniej po 3-4 pociągnięciach.
3. Aby wyłączyć silnik, zwolnij dźwignię zapiętu/hamulca.

Rys. 6



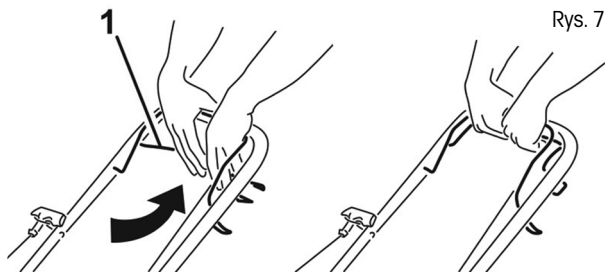
- ⚠ Uwaga!** Po pierwszym uruchomieniu silnika może pojawić się niewielka ilość dymu z powodu wypalenia warstw ochronnych silnika. Jest to standardowa sytuacja, która nie sygnalizuje żadnego problemu.



## OBŚLUGA NAPĘDU

Do obsługi napędu służy dźwignia napędu (Rys. 7 – punkt 1). Po przyciągnięciu dźwigni do uchwyty kosiarka zacznie jechać.

Aby ją zatrzymać, zwolnij ponownie dźwignię. Ta kosiarka dysponuje jedną statą prędkością.



## ZAKRES UŻYCIA KOSIARKI SPALINOWEJ

Koszenie z gromadzeniem skoszonej trawy w koszu

Koszenie z tylnym wyrzutem skoszonej trawy

Koszenie z wyrzutem bocznym

Mulczowanie - koszenie z wolnym układaniem trawy na trawniku

**⚠ Uwaga! Nie używaj kosiarki na zboczach o pochyleniu powyżej 20°, grozi zatarciem silnika!**

## KOSZENIE Z GROMADZENIEM SKOSZONEJ TRAWY W KOSZU

Przy założonym koszu skoszona trawa przedostaje się do kosza.

**⚠ Uwaga!** Przy niewłaściwym zbiorze skoszonej trawy podnieś wysokość koszenia i sprawdź, czy trawnik nie jest wilgotny.

## KOSZENIE Z TYLNYM WYRZUTEM

Jeśli kosz nie jest założony, pokrywa kosza służy jako tzw. deflektor powodujący, że skoszona trawa spada na ziemię. Dzięki temu za skoszoną trawą powstaje rząd skoszonej trawy.

## KOSZENIE Z WYRZUTEM BOCZNYM

**⚠ Uwaga!** Boczny deflektor należy zakładać i zdejmować wyłącznie przy wyłączonym silniku.

Podnieś ręką pokrywę bocznego wyrzutu i załóż boczny deflektor (rys. 8). Przed koszeniem z wyrzutem bocznym do tunelu wyrzutowego należy zainstalować zaślepkę mulczującą.



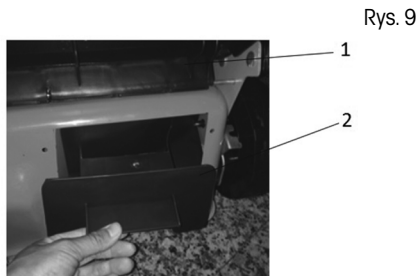
## MULCZOWANIE

**⚠ Uwaga!** Zaślepkę mulczującą należy przymocowywać i zdejmować wyłącznie przy wyłączonym silniku.

**⚠ Uwaga!** Podczas mulczowania korzystaj wyłącznie z oryginalnego wyposażenia do mulczowania.

1. Zdejmij kosz i przytrzymaj ręką plastikową pokrywę kosza (Rys. 9 – punkt 1)
2. Załóż zaślepkę mulczującą do tunelu wyrzutowego (Rys. 9 – punkt 2) i upewnij się, czy została mocno osadzona.

**⚠ WAŻNA INFORMACJA:** Nie mulczuj naraz wysokiej trawy. Unikniesz w ten sposób przeciążenia mechanizmu kosiarki i silnika.



## USTAWIENIA WYSOKOŚCI KOSZENIA

Ustaw wysokość koszenia centralnie za pomocą dźwigni centralnej regulacji wysokości koszenia (Rys. 1 – punkt 10).

Zakres 25–75 mm. Do koszenia większości trawników najbardziej odpowiednia jest średnia wysokość. Przy ustawieniu najniższej wysokości może dojść do uszkodzenia trawnika.

**⚠ Uwaga!** Aby osiągnąć maksymalną wydajność, skracaj trawę tylko o 1/3 długości.

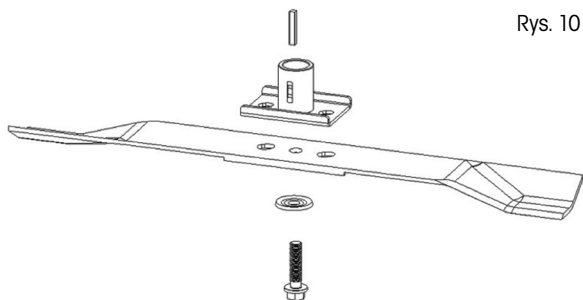
Przerośniętą trawę należy kosić stopniowo i po każdym koszeniu obniżyć ustawienia o jeden stopień.

Chcąc zachować jakość trawnika, nie używaj ustawień na najniższą wysokość koszenia.

## WYMIANA NOŻY TNĄCYCH

**⚠ Uwaga!** W celu wymiany filtra powietrza zalecamy skontaktowanie z autoryzowanym serwisem.

Aby wymienić nóż tnący, odkręć śrubę (Rys. 10). Dokonaj montażu zgodnie z pokazanym rysunkiem. Dokręć śrubę. Moment dokręcania wynosi 40 Nm. Równocześnie z wymianą noża wymień śrubę dokręcającą nóż.



## WYMIANA OLEJU SILNIKOWEGO

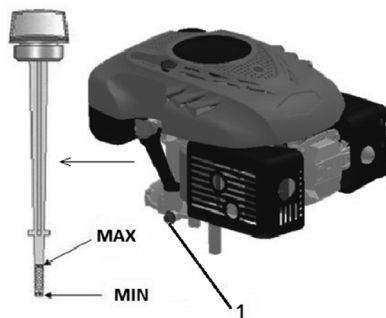
**⚠ Uwaga!** W celu wymiany filtra powietrza zalecamy skontaktowanie z autoryzowanym serwisem.

Korek spustowy znajduje się pod silnikiem (Rys. 11 – punkt 1). Umieść pod silnikiem odpowiedni zbiornik na zużyty olej i zdejmij korek. Pochyl kosiarkę tak, aby cały olej mógł wypłynąć ze zbiornika.

Po wypuszczeniu oleju umieść korek z powrotem w otworze, upewnij się, że jest on umieszczony prawidłowo na swoim miejscu i ewentualnie wytrzyj krople rozlanego oleju.

Dolej do zbiornika olej typu SAE30 lub 15W-40. Po włożeniu miarki oleju do otworu i jej przykręceniu poziom oleju powinien znajdować się pomiędzy kreskami Min. i Maks. (Rys. 11). Nie przepelniaj zasobnika na olej.

Uruchom silnik i pozostaw go na chwilę włączony. Zatrzymaj silnik, odczekaj 1 minutę i zmierz poziom oleju w zbiorniku. W razie potrzeby dolej olej do odpowiedniego poziomu.



Rys. 11

## 8. WSKAZÓWKI BEZPIECZEŃSTWA

### OGÓLNE WSKAZÓWKI BEZPIECZEŃSTWA

- ☼ Ten produkt służy wyłącznie do koszenia trawy. Nie używaj do innych celów niż te, do których jest przeznaczony. W innym wypadku grozi jego uszkodzenie lub wypadek.
- ☼ Nigdy nie należy pozwolić pracować z tym urządzeniem dzieciom ani osobom niezapoznanym z niniejszą instrukcją obsługi.
- ☼ Osoba obsługująca kosiarkę odpowiada za bezpieczeństwo osób znajdujących się w obszarze jej pracy. Nigdy nie używaj kosiarki bezpośrednio w pobliżu innych osób, dzieci lub wolno biegających zwierząt.
- ☼ Przed rozpoczęciem koszenia sprawdź teren, na którym kosiarka ma być używana, i usuń z niego kamienie, druty, patyki, odłamki szkła, kości i inne przedmioty obce, które mogłyby się zaklinować lub zostać wyrzucone i spowodować zranienia.

### INSTRUKCJA UŻYCIA

- ☼ Wszystkie nakrętki, sworznie i śruby należy dokręcić tak, aby urządzenie znajdowało się w bezpiecznym stanie i było zdolne do pracy.
- ☼ Nigdy nie korzystaj z kosiarki bez kosza lub pokrywy ochronnej.
- ☼ Nigdy nie korzystaj z kosiarki z poluzowanymi ostrzami noża. Zawsze upewnij się najpierw, czy odpowiednie śruby są dobrze dokręcone. Stępione ostrza należy równomiernie naostrzyć. Noże z uszkodzonymi ostrzami należy wymienić.
- ☼ Podczas pracy z kosiarką należy nosić spodnie z długimi nogawkami i solidne buty.
- ☼ Nigdy nie uruchamiaj kosiarki w zamkniętych lub słabo wentylowanych pomieszczeniach, gdzie mogą się gromadzić opary. Emisje pochodzące z silnika zawierają tlenek węgla, który jest substancją zagrażającą życiu.
- ☼ Pracuj wyłącznie przy dostatecznym oświetleniu (przy świetle dziennym lub przy dostatecznym sztucznym oświetleniu).
- ☼ Nie korzystaj z kosiarki podczas deszczu lub kiedy trawa jest mokra.

- ✿ Zachowaj szczególną ostrożność podczas koszenia w terenie z różnicami poziomów (na zboczach). Koś zawsze w poprzek zbocza, równoległe do poziomicy, nie zaś z góry na dół, prostopadle do niej.
- ✿ Nigdy nie pozostawiaj włączonej kosiarki bez obsługi. Jeśli zamierzasz odejść od kosiarki, wyłącz silnik.
- ✿ Podczas uruchamiania kosiarki nigdy nie podnoś jej tylnej części i nigdy nie zbliżaj kończyn do podwozia lub do otworu tylnego wyrzutu trawy przy włączonym silniku.
- ✿ Nigdy nie zmieniaj ustawień prędkości silnika.
- ✿ W przypadku kosiarek z napędem zwolnij napęd przed uruchomieniem silnika.
- ✿ Nigdy nie przemieszczaj kosiarki z włączonym silnikiem.
- ✿ W następujących wypadkach należy zatrzymać silnik i odłączyć świecę zapłonową:
  - przed rozpoczęciem jakiegokolwiek czynności pod pokrywą lub otworem tylnego wyrzutu trawy.
  - przed rozpoczęciem konserwacji, naprawy lub kontroli urządzenia.
  - przed przenoszeniem, podnoszeniem lub przemieszczaniem kosiarki.
  - jeśli pozostawiasz kosiarkę bez nadzoru lub jeśli zamierzasz zmienić ustawienia wysokości koszenia.
  - przed demontażem i opróżnianiem worka zbiorczego.
  - jeśli dojdzie do kolizji z przedmiotem obcym, zatrzymaj silnik i dokładnie przejrzyj kosiarkę, aby wykluczyć możliwość jej uszkodzenia. W razie uszkodzenia, przewieź kosiarkę do wyspecjalizowanego serwisu w celu dokonania jej naprawy.

**⚠ UWAGA:** Po wyłączeniu silnika nóż obraca się jeszcze przez kilka sekund.

- W razie niestandardowych wibracji kosiarki (sprawdź natychmiast i usuń przyczynę wibracji).
- W celu zapewnienia bezpiecznej pracy kontroluj regularnie dokręcenie czopów, śrub i nakrętek na kosiarce.

**⚠ UWAGA:** PALIWO JEST CIECZĄ WYSOCE ŁATWOPALNĄ.

- ✿ Przechowuj paliwo w przeznaczonym do tego zbiorniku.
- ✿ Uzupełniaj paliwo wyłącznie w przestrzeni otwartej lub dobrze wentylowanej. Podczas kontaktu z paliwem nie pal papierosów ani nie używaj telefonu komórkowego.
- ✿ Paliwo należy uzupełniać wyłącznie przy wyłączonym silniku. Nigdy nie otwieraj zbiornika na paliwo i nie dolewaj go, jeśli silnik jest gorący lub pracuje.
- ✿ Jeśli dojdzie do rozlania benzyny, nie uruchamiaj silnika. Usuń kosiarkę z miejsca, gdzie doszło do rozlania paliwa unikając w ten sposób jego ewentualnego zapalenia. Kontynuuj pracę dopiero po wyparowaniu rozlanego paliwa i rozproszeniu oparów paliwa.
- ✿ Po uzupełnieniu paliwa dobrze dokręć zakrętkę zbiornika paliwa i zakrętkę kanistra z paliwem.

**⚠ UWAGA:** Przed rozpoczęciem konserwacji lub naprawy wyłącz silnik i odłącz świecę zapłonową.

## 9. KONSERWACJA

### PIELĘGNACJA TRAWNIKA

- ✿ W zależności od rodzaju trawnika należy stosować różne sposoby pielęgnacji.
- ✿ Dlatego za każdym razem należy zapoznać się ze wskazówkami podanymi na opakowaniach nasion, dotyczącymi wysokości koszenia, uwzględniającymi warunki wzrostu trawy na danym obszarze.

- ☛ Należy pamiętać, że większość trawy składa się ze źdźbła i jednego lub większej ilości liści. W przypadku całkowitego ścięcia liści dojdzie do uszkodzenia trawnika i odnowienie jego wzrostu będzie o wiele trudniejsze.
- ☛ Ogólnie obowiązującą następujące wskazówki:
  - koszenie na zbyt niskim poziomie powoduje naruszenie korzeni i pojawienie się „plam”;
  - w lecie należy kosić na wyższym poziomie, aby uniknąć wysychania gleby;
  - koszenie mokrej trawy może spowodować obniżenie efektywności noża, co może doprowadzić do zaczepiania się trawy na nożu i jej wyrywania;
  - w przypadku wyjątkowo wysokiej trawy należy dokonać pierwszego koszenia na maksymalną wysokość, jaką umożliwiła maszyna, a następnie wykonać drugie koszenie dopiero po dwu lub trzech dniach.
- ☛ Trawnik będzie mieć lepszy wygląd przy regularnym koszeniu całej jego powierzchni na tej samej wysokości oraz przy przestrzeganiu zmiany dwu kierunków.

## KONSERWACJA

**⚠ Uwaga!** Kosiarkę zawsze przechylaj tylko na stronę uchwytu (tylna część kosiarki).

- ☛ Wszystkie nakrętki, sworznie i śruby należy dokręcić tak, aby urządzenie znajdowało się w bezpiecznym stanie i było zdolne do pracy. Regularna konserwacja jest podstawą zapewnienia bezpieczeństwa użytkownika, zachowania zdolności urządzenia do pracy i jego wysokiej efektywności.
- ☛ Jeśli zbiornik paliwowy kosiarki jest napełniony benzyną, nigdy nie należy przechowywać jej wewnątrz budynku, gdzie opary mogłyby być w kontakcie z otwartym ogniem, iskrami lub źródłami wysokich temperatur.
- ☛ Przed odstawieniem kosiarki do przechowania w jakimkolwiek pomieszczeniu zamkniętym pozostaw silnik do wystygnięcia.
- ☛ W celu obniżenia ryzyka pożaru zadbaj o to, aby na kosiarce, a w szczególności jej silniku, łtumiaku, akumulatorze oraz w miejscu przechowywania zapasowej benzyny nie znajdowały się resztki trawy, liści lub nadmierna ilość smaru.
- ☛ Regularnie sprawdzaj stan deflektora i kosza; w razie ich uszkodzenia wymień je.
- ☛ Wylewaj paliwo w dobrze wentylowanym pomieszczeniu przy chłodnym silniku.
- ☛ Podczas zdejmowania lub instalacji noża korzystaj z grubych rękawic ochronnych.
- ☛ Po każdym naostrzeniu ostrza noża należy sprawdzić jego wyważenie.

**⚠ UWAGA:** Przed rozpoczęciem konserwacji lub naprawy wyłącz silnik i odłącz świecę zapłonową.

- ☛ Regularnie sprawdzaj kosiarkę i zadbaj o usuwanie wszystkich osadów trawy ze spodniej części podwozia.
- ☛ Regularnie smaruj oś podwozia oraz łożyska odpowiednim smarem.
- ☛ Regularnie sprawdzaj stan noży, ponieważ ma to znaczący wpływ na efektywność kosiarki. Noże powinny być zawsze ostre i wyważone.
- ☛ W regularnych odstępach czasu sprawdzaj dokręcenie wszystkich śrub i nakrętek. Zużyte lub źle dokręcone nakrętki i śruby mogą spowodować poważne uszkodzenie silnika lub jego ramy.
- ☛ Jeśli nóż gwałtownie zderzy się z przeszkodą, zatrzymaj kosiarkę i odwieź ją do autoryzowanego serwisu.
- ☛ NÓŻ: nóż jest wyprodukowany z wytłaczanej stali. Aby uzyskać jak najlepszy efekt koszenia, regularnie ostrz nóż, po mniej więcej 25 godzinach pracy. Upewnij się, czy nóż jest prawidłowo wyważony. W tym celu włóż do środkowego otworu noża żelazną oś (o średnicy 2-3 mm). Jeśli nóż jest prawidłowo wyważony, oś utrzyma się w pozycji horyzontalnej.

- ✿ Jeśli nóż nie utrzyma się w pozycji horyzontalnej, wymień go.
- ✿ Przy demontażu noża odkręć śrubę i sprawdź nośną część noża. Jeśli części są zużyte lub uszkodzone, wymień je.

**⚠ UWAGA:** Używaj wyłącznie oryginalnych części zamiennych. Części zamienne złej jakości mogą spowodować poważne uszkodzenia kosiarki i zagrażać Twojemu bezpieczeństwu.

## SERWIS

- ✿ Jeśli po nabyciu produktu odkryjesz w nim jakąkolwiek wadę, skontaktuj się z wydziałem serwisu. Podczas korzystania z produktu postępuj zgodnie z zaleceniami podanymi w dołączonej instrukcji użycia.
- ✿ Reklamacja nie dotyczy sytuacji, gdy użytkownik dokonał przeróbki produktu lub nie postępował zgodnie z zaleceniami podanymi w instrukcji użycia.

## GWARANCJA NIE DOTYCZY

- ✿ Naturalnego zużycia funkcjonalnych części maszyny wynikających z jej eksploatacji.
- ✿ Czynności serwisowych związanych ze standardową konserwacją maszyny (np. czyszczenia, smarowania, kalibracji itp.) Wad spowodowanych na skutek oddziaływania czynników zewnętrznych (np. warunków klimatycznych, zapylenia, niewłaściwego użycia itp.)
- ✿ Uszkodzeń mechanicznych będących następstwem upadku maszyny, zderzenia, uderzenia itp.
- ✿ Szkód powstałych na skutek niefachowej obsługi, przeciążenia, użycia niewłaściwych części lub nieodpowiednich narzędzi itp.
- ✿ W przypadku reklamowanych produktów, które nie zostały należycie zabezpieczone przed mechanicznym uszkodzeniem podczas transportu, ryzyko ewentualnej szkody ponosi wyłącznie ich właściciel.

## PRZECHOWYWANIE

- ✿ Jeśli nie zamierzasz używać maszyny przez dłuższy czas, przechowuj ją zgodnie z zaleceniami podanymi poniżej. Dzięki temu przedłużysz żywotność urządzenia.
- ✿ Wylej całość paliwa ze zbiornika paliwa i karburatora.
- ✿ Odkręć świecę zapłonową i nalej do otworu niewielką ilość oleju silnikowego. Delikatnie pociągnij 2 do 3 razy za rozrusznik.
- ✿ Wytrzyj zewnętrzne powierzchnie czystą ściereką. Przechowuj maszynę w czystym i suchym miejscu.

## 10. DANE TECHNICZNE

Silnik	XP200
Typ silnika	OHV, chłodzony powietrzem, 4-suwowy
Moc nominalna	3,5 kW
Obroty silnika	2900 obr./min.
Pojemność skokowa	196 cm <sup>3</sup>
Rozruch	Przez pociągnięcie
Pojemność zbiornika paliwa	1,0 litra
Zalecane paliwo	Benzyna - bezołowiowa, min. 95 oktanów
Pojemność zbiornika oleju	0,6 l
Zalecany olej	SAE30, 15W-40
Ustawienia wysokości koszenia	Centralne, 6 pozycji
Regulacja zakresu wysokości koszenia	25-75 mm
Zasięg koszenia	560 mm
Rozmiar kół	Przednie 200 mm, tylne 280 mm
Pojemność kosza zbiorczego	75 l
Obudowa	stal
Deklarowany poziom hałasu	98 dB(A)
Maksymalny poziom wibracji	5,822 m/s (K=1,5)
Ciążar	33,9 kg

Możliwość zmiany tekstu i parametrów technicznych zastrzeżona.

Zastrzegamy sobie możliwość dokonywania zmian tekstu, designu i danych technicznych wyrobu bez uprzedzenia.

# 11. ODSTĘPY MIĘDZY PRZEGLĄDAMI OKRESOWYMI

<b>Odstępy między przeglądami okresowymi</b> , należy wykonywać w odstępach miesięcznych lub godzinowych, w zależności od tego, co nastąpi wcześniej		Przed każdym uruchomieniem	W przypadku nowej maszyny po 5 godzinach pracy	Co 6 miesięcy lub po 25 godzinach użytkowania	Co roku
Czyszczenie urządzenia, dokręcenie śrub montażowych		X			
Olej silnikowy	Kontrola poziomu	X			
	Wymiana		X	X	
Filtr powietrza	Kontrola	X			
	Czyszczenie			X	
	Wymiana				X
Świeca	Kontrola&czyszczenie			X	
	Wymiana				X
Kontrola mechanizmu przesuwu	Kontrola				X(*)
Bieg luźny	Kontrola&regulacja				X(*)
Luz wentyli	Kontrola&regulacja				X(*)
Komora spalania	Czyszczenie				X(*)
Przewody paliwowe	Kontrola&czyszczenie				X(*)
Całkowita kontrola prewencyjna					X(*)

\* przegląd musi przeprowadzić autoryzowany serwis

**⚠ Uwaga!** Jeżeli kosiarka jest używana w trudnych warunkach lub w zapyłonym środowisku należy wymieniać olej i czyścić filtr powietrza w krótszych odstępach.



## 12. WYKRYWANIE I USUWANIE PROBLEMÓW

Problem	Prawdopodobna przyczyna	Rozwiązanie
Nie można uruchomić silnika	Kłapka ssania jest w niewłaściwej pozycji	Przesuń dźwignię ssania na właściwą pozycję
	Zbiornik paliwa jest pusty	Wlej paliwo do zbiornika
	Filtr powietrza jest zanieczyszczony	Wyczyść filtr powietrza
	Poluzowana świeca zapłonowa	Dokręć świecę zapłonową na 25-30 Nm
	Kabel zapłonowy jest poluzowany lub odłączony od świecy zapłonowej	Zamontuj kabel zapłonowy na świecę
	Nieprawidłowy odstęp pomiędzy elektrodami świecy	Zamontuj nową świecę zapłonową z właściwym odstępem między elektrodami
	Wadliwy moduł zapłonowy	Skontaktuj się z serwisem
Silnik trudno się uruchamia lub traci moc	Zanieczyszczenia, woda lub stare paliwo w zbiorniku	Spuść paliwo i wyczyść zbiornik. Napelnij zbiornik świeżym, czystym paliwem
	Zatkany otwór powietrza w nakrętce zbiornika paliwa	Wyczyść lub wymień nakrętkę zbiornika paliwa
	Filtr powietrza jest zanieczyszczony	Wyczyść filtr powietrza
	Zanieczyszczenia, woda lub stare paliwo w zbiorniku	Spuść paliwo i wyczyść zbiornik. Napelnij zbiornik świeżym, czystym paliwem
	Zatkany otwór powietrza w nakrętce zbiornika paliwa	Wyczyść lub wymień nakrętkę zbiornika paliwa
	Filtr powietrza jest zanieczyszczony	Wyczyść filtr powietrza
Silnik pracuje nieregularnie	Wadliwa świeca zapłonowa	Zamontuj nową świecę zapłonową z właściwym odstępem między elektrodami
	Nieprawidłowy odstęp pomiędzy elektrodami	Ustaw odstęp między elektrodami na 0,7 do 0,8 mm
	Filtr powietrza jest zanieczyszczony	Wyczyść filtr powietrza
Silnik pracuje nieprawidłowo na biegu jałowym	Filtr powietrza jest zanieczyszczony	Wyczyść filtr powietrza
	Szczeliny wentylacyjne w obudowie są zatkane	Usuń zanieczyszczenia ze szczelin
	Żebra chłodzące i otwory wentylacyjne pod wentylatorem silnika są zatkane	Usuń zanieczyszczenia z żeber chłodzących i otworów wentylacyjnych
Silnik zatrzymuje się przy wysokich obrotach	Zbyt mały odstęp między elektrodami świecy zapłonowej	Ustaw odstęp na 0,7 do 0,8 mm
Silnik się przegrzewa	Ograniczony przepływ powietrza	Usuń zanieczyszczenia ze szczelin na obudowie silnika, obudowie wentylatora i z otworów wentylacyjnych
	Niewłaściwa świeca zapłonowa	Zamontuj nową świecę zapłonową z właściwym odstępem między elektrodami
Kosiarka mocno drga	Jednostka tnąca jest poluzowana	Dokręć nóż tnący
	Jednostka tnąca nie jest wyważona	Należy wyważyć nóż tnący
	Wygięty wał korbowy	Skontaktuj się z serwisem

## 13. LIKWIDACJA

### **WSKAZÓWKI I INFORMACJE DOTYCZĄCE GOSPODARKI ZUŻYTYM OPAKOWANIEM**

Zużyty materiał z opakowania należy przekazać na gminne wysypisko odpadów.



Maszyna i jej wyposażenie są wyprodukowane z różnych materiałów, np. z metalu i plastiku. Uszkodzone części należy oddać do punktu selektywnej zbiórki. Szczegółowych informacji udziela odpowiedni urząd.



Ten produkt spełnia wszelkie podstawowe wymagania dyrektyw UE, które go dotyczą.

Zastrzegamy sobie możliwość dokonywania zmian tekstu, designu i danych technicznych wyrobu bez uprzedzenia.

Tłumaczenie oryginalnej instrukcji obsługi.

