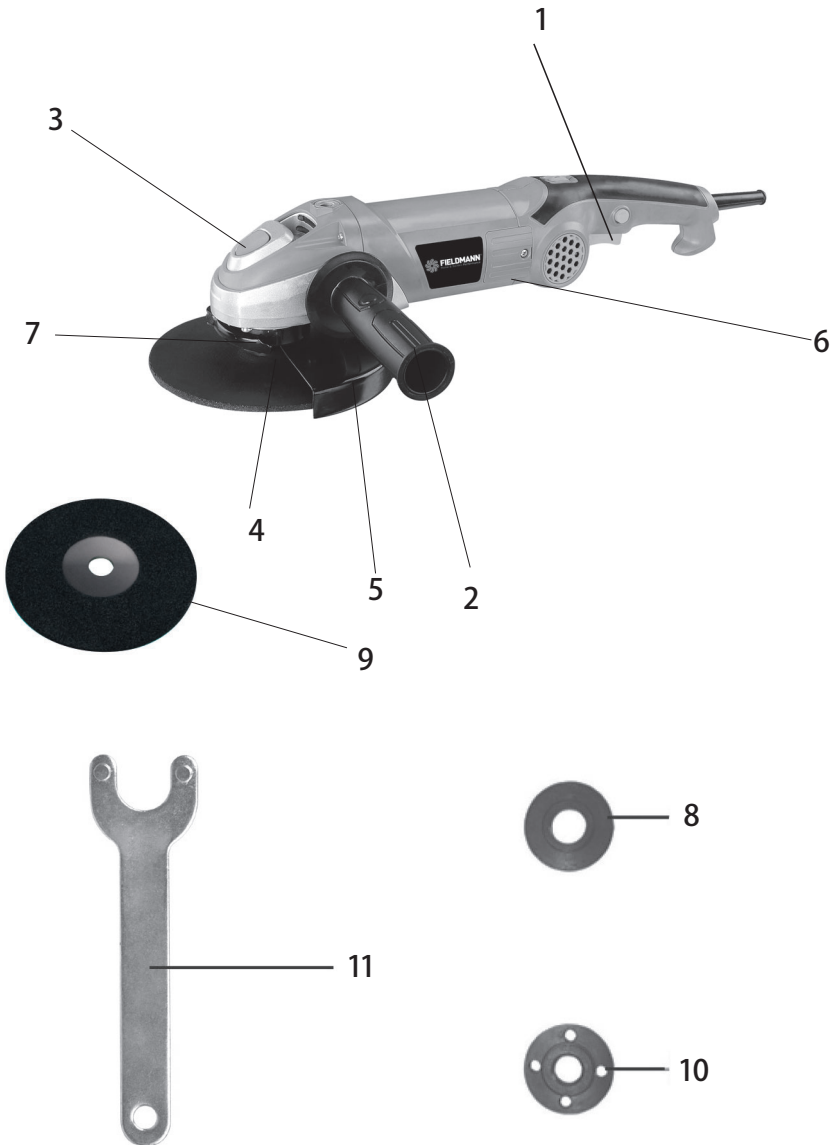


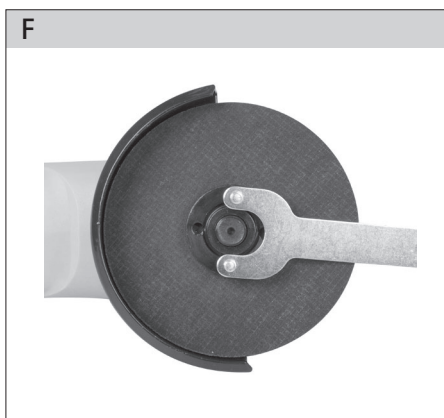
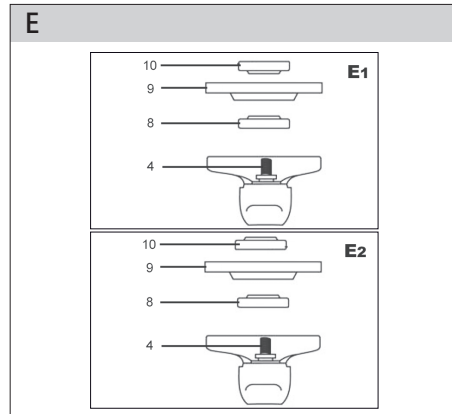
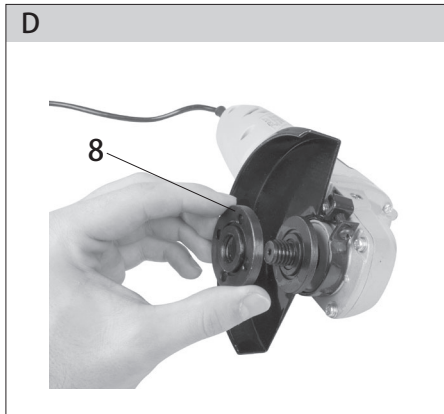
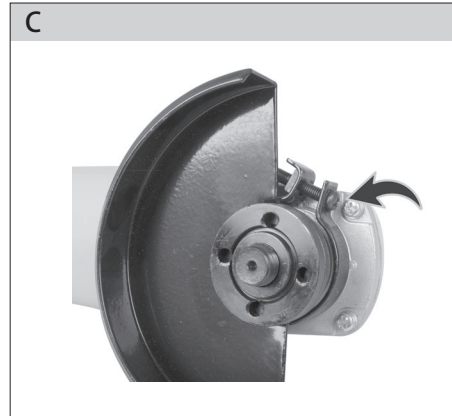
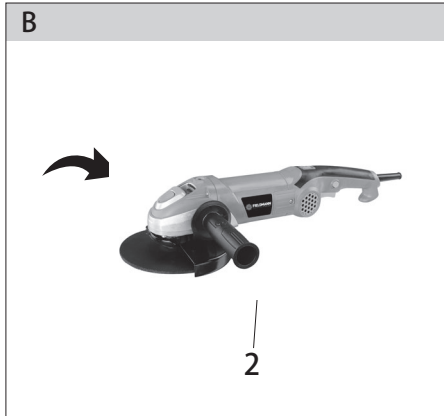


FDB 201401-E

English	05
Čeština	23
Slovenčina	41
Magyarul	60
Polski	81

A





Electrical Angle Grinder

INSTRUCTION MANUAL

Thank you for your purchase of the electrical circular saw. For your personal safety, read and understand the Instruction Manual before using. Keep the Instruction Manual in a safe place for future reference.

CONTENTS

1. GENERAL SAFETY INSTRUCTIONS	6
2. SYMBOLS	6
3. MACHINE DESCRIPTION AND ITEMS DELIVERED	7
4. GENERAL SAFETY INSTRUCTIONS	7
5. SPECIAL SAFETY INSTRUCTIONS	11
6. USE AND OPERATION	16
7. WORKING WITH ANGLE GRINDER	17
8. CLEANING AND MAINTENANCE	18
9. OPERATION AND MAINTENANCE HINTS	18
10. TECHNICAL SPECIFICATIONS	19
11. DISPOSAL	22

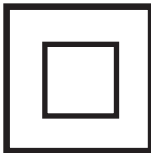
2. SYMBOLS



The product complies with the applicable standards and regulations.



Read the Instruction Manual attentively prior to use.



Double-insulated.



Thread of jig.



Use adequate eye protective equipment.



Use ears protective equipment.

3. MACHINE DESCRIPTION AND ITEMS DELIVERED

Machine Description (See fig. 1)

- | | |
|----------------------|-------------------------------|
| 1 - Switch | 7 - Screw of Protective Cover |
| 2 - Side Handle | 8 - Washer |
| 3 - Disk Lock-Button | 9 - Grindstone |
| 4 - Spindle | 10 - Tightening Female Screw |
| 5 - Protective Cover | 11 - Tightening Spanner |
| 6 - Case | |

Items Delivered

Remove all contents from the box and inspect to ensure no damage was incurred during shipping, and that the items listed below are included.:

- ✿ Angle grinder
- ✿ Side Handle
- ✿ Tightening nuts
- ✿ Flange key
- ✿ Disc guard
- ✿ Instruction Manual

Should the components be missing or damaged, contact the dealer of the machine.

4. GENERAL SAFETY INSTRUCTIONS

Please read these safety instructions carefully, remember them and keep them in a safe place

⚠ WARNING! When using electric machinery and power tools, it is important to abide by and adhere to the following safety instructions for reasons of protection against injury caused by electric current, injury of persons and risk of starting fires. The term “power tools” used in the instructions below refers to power tools that are plugged into a power supply (by a power cord) as well as tools running on a battery pack (cordless). Keep all warnings and instructions for further use.

Work environment

- ✿ Keep the work area clean and well lit. Untidiness and dark places on the job site are usually causes of accidents. Store tools that are not used.

- ✿ Do not use power tools in an environment where there is risk of starting a fire or explosion; this refers to places where there are flammable liquids, gases or dust. Sparks form on the power tool's commutator, which can cause dust or fume ignition.
- ✿ When using power tools, unauthorized persons, especially children, should be denied entry to the job site! In case you are interrupted, you can lose control of the current activity. In any case, do not leave the power tool without supervision. Prevent animals from approaching the equipment.

Electrical safety

- ✿ The power tool's power plug must correspond to the power outlet. Never alter the plug in any way. If the tool's plug has a safety peg, never use an adapter of any kind. Undamaged plugs and corresponding outlets prevent the risk of injury by electric current. If the power cord is damaged, it must be replaced by a new power cord that can be obtained from an authorized service centre or the importer.
- ✿ Avoid bodily contact with grounded items, e.g. piping, radiators, kitchen ranges and refrigerators. The risk of injury by electric current is greater if your body is connected to the ground.
- ✿ Do not expose power tools to rain, moisture or dampness. Never touch power tools with wet hands. Never wash power tools with running water and never submerge them into water.
- ✿ Do not use the power cord for any other purpose than originally intended. Never carry or pull the power tools by the power cord. Do not pull the plug out of the outlet by pulling on the cord. Avoid mechanical damage to the power cord by sharp or hot objects.
- ✿ Power tools were manufactured exclusively for the AC power supply. Always check if the electrical voltage corresponds to the data printed on the tool's serial number label.
- ✿ Never work with a tool that has a damaged power cord or plug, or that has fallen on the ground and is damaged in any way.
- ✿ In the case of using an extension cord, always check that its technical parameters correspond to the data printed on the tool's serial number label. If the power tool is used outdoors, use an extension cord that is appropriate for exterior use. When using an extension cable drum, the cord must be unwound to prevent the cord from overheating.
- ✿ If the power tool is used in moist areas or outdoors, it is permitted to use it only if it is plugged into an electric circuit with a residual current device ≤ 30 mA. Using a circuit with an RCD lowers the risk of injury by electric current.
- ✿ Grasp hand power tools at the designated isolated grip areas because, during operation, one may come into contact with the cutting or drilling fittings with a hidden conductor or with the power cord.

Personal safety

- ✿ When using a power tool, be careful and alert, pay special attention to the activity you are doing. Concentrate on your work. Do not work with power tools if you are tired or if you are under the influence of drugs, alcohol or medication. When using power tools, even a momentary lapse in attentiveness can lead to severe personal injury. Do not eat, drink or smoke while working with power tools.
- ✿ Use protective gear. Always use eye protection. Use protective gear corresponding to the type of work you are doing. Protective gear such as respirators, safety shoes with antiskid treatment, head protection or ear protection, used in accordance with working conditions, lower the risk of personal injury.
- ✿ Avoid unintentional operation of tools. Do not carry tools that are plugged into the electric grid with your finger on the switch or release trigger. Before connecting the tool to a power supply, make sure that the switch or release trigger are in the "off" position. Carrying tools with your finger on the switch or plugging the tool into an outlet with the switch in the "on" position can cause serious injury.
- ✿ Before turning tools on, remove all adjustment wrenches and tools. The adjustment wrench or tool that stays connected to the rotating part of the power tool can cause personal injury.
- ✿ Always stand firmly and keep your balance. Work only in places that you can reach safely. Never overestimate your own strength. Do not use power tools if you are tired.
- ✿ Dress appropriately. Use working clothes. Do not wear loose clothing or jewellery. Make sure that your hair, clothing, gloves or other body parts do not come overly close to rotating or heated parts of the power tool.
- ✿ Connect the equipment to the dust exhaust. If the tool offers the possibility to connect equipment for capturing dust or dust suction, make sure that it is properly connected and used. Using this equipment can reduce danger resulting from dust.
- ✿ Firmly fasten the workpiece. Use a carpenter's clamp or vice to secure the piece you will be cutting.
- ✿ Do not use power tools if you are under the influence of alcohol, drugs, medication or other narcotics or addictive substances.
- ✿ This equipment is not intended to be used by persons with limited physical, sensory or mental abilities (including children) or persons with insufficient experience and knowledge, unless they are supervised or received instructions to use the equipment from a person responsible for his/her safety. Children must be supervised in order to ensure that they are not playing with the equipment.

Using power tools and their maintenance

- ✿ Always disconnect the power tool from the electric grid if there is any problem during work, before every cleaning or maintenance, during every shift and after finishing work! Never work with power tools if they are damaged in any way.
- ✿ If the tool starts emitting abnormal noises or odours, immediately stop working.

- ✿ Do not overload power tools. The power tool will function better and more safely if it operates at speeds for which it was designed. Use correct tools that are designated for the given activity. The correct tool works better and more safely.
- ✿ Do not use power tools that cannot be turned on safely and cannot be turned on and off with a control switch. Using this type of tool is dangerous. Faulty switches must be repaired at a certified service centre.
- ✿ Disconnect the tool from the power supply before you start setting, changing accessories or maintenance. This measure will prevent the risk of accidental start-up.
- ✿ Store unused power tools so that they are out of the reach of children and unauthorized persons. Power tools in the hands of inexperienced users can be dangerous. Store power tools in a dry and safe place.
- ✿ Keep power tools in good condition. Regularly check the setting of moving parts and their movability. Check if the protective cover or other parts that can limit the safe functioning of the power tool are not damaged. If the tool is damaged, ensure its proper repair before the next use. Many injuries are caused by poorly maintained power tools.
- ✿ Keep cutting tools sharp and clean. Properly maintained and sharpened tools make work easier, limit the risk of injury and work with them is much more easily controlled. Using other accessories than those listed in the instruction manual can cause damage to the tool and can cause injury.
- ✿ Use power tools, accessories, work tools, etc. in accordance with these instructions and in a way that is described for the specific power tool and with regard to the given working conditions and the type of job. Using tools for other purposes than those intended can lead to dangerous situations.

Service

- ✿ Do not change parts of the tool, do not perform repairs on your own and do not interfere with the tool's construction in any way. Leave tool repairs to qualified persons.
- ✿ Each repair or product modification performed without our company's permission is inadmissible (it can cause injury or harm to the user).
- ✿ Always leave tools to be repaired in a certified service centre. Use only original or recommended spare parts. This will ensure your and your tool's safety.

5. SPECIAL SAFETY INSTRUCTIONS

⚠ WARNING! Before use, please read these safety instructions and keep them in a safe place.

- ✿ Upon failure to follow the instructions specified in this manual, there is a risk of injury.
- ✿ Angle grinder conforms to applicable technical regulations and standards.

Safety warning for works such as grinding, surfacing, wire brushing, polishing or abrasive cutting

- ✿ These electro-mechanical tools are intended for use as grinder, surface grinder, wire brusher, polisher or cutting tool. It is necessary to read all safety warnings, instructions, illustrations and specifications for the electro-mechanical tools. Non-compliance with the below mentioned instructions can lead to injury by electrical current, fire and/or serious injury.
- ✿ It is not recommended to use the tools for works such as grinding, surfacing, wire brushing, polishing or cutting. Using the tools for work, for which it is not designed, may cause risks and injury of persons.
- ✿ Accessories not specifically designed and recommended by the tool's manufacturer may not be used. The mere fact, that an accessory can be connected to your tool does not guarantee its safe operation.
- ✿ The nominal speed of the accessory has to be at least equal the maximal speed marked on the tool. Accessories, operating at higher speeds than its nominal speed, can break and fall apart.
- ✿ The outer diameter and thickness of the accessory has to be within the limits of the nominal range for particular electromechanical tools. The accessories of incorrect size cannot be sufficiently guarded or controlled.
- ✿ Chucking dimensions of disks, flanges, support blocks or other accessories have to be suitable for the tool's spindle. The accessories with chucking holes, which do not match the assembly dimensions of electromechanical tools, will be unbalanced, can generate excessive vibrations and can cause loss of control.



- ✿ It is prohibited to use damaged accessories. The accessories have to be checked prior to each use: splitting and cracks of grinding disks, cracks of support blocks, tearing of excessive wear, loose or broken wires on wire brushes. If the accessories or tools were dropped, check it for damage or install undamaged accessories. After checking and installation of the accessories the operator and bystanders have to stand outside the plane of the rotating accessories and the tool has to be left running idle at the highest speed for one minute. During this trial period damaged accessory usually breaks or falls apart.
- ✿ Personal protective equipment has to be used. According to condition a face shield or safety goggles have to be used. Use dust mask, hearing protection, gloves and work apron, capable of arresting small fragments of the abrasive material or work piece, as appropriate. Eye protection has to be capable of arresting flying fragments, generated during various work activities. Dust mask or respirator has to be able of filtering particles, generated during a particular activity. Long-term exposure to high-intensity noise can cause loss of hearing.
- ✿ Bystanders have to keep a safe distance from the working area. Everyone entering the working area has to use personal protective equipment. Fragment of the work piece or damaged accessories may fly away and cause injury even outside the immediate working area.
- ✿ During work, during which the tool can touch a hidden wiring or its own power supply, the electromechanical tool has to be held by the insulated holding surfaces. Contact of the tool with a "live" wire can cause the metallic parts of the electromechanical tool to become "live" and may cause an injury by electric current.
- ✿ Mobile power supply has to be placed outside the reach of the rotating tool. In case the operator loses control, the mobile power supply can be cut or ground through, and a hand or arm of the operator may be dragged to the rotating tool.
- ✿ Electromechanical tool may not be put down before the tool stops completely. Rotating tool may get caught on a surface and may pull the tool out of the operator's control.
- ✿ Electromechanical tool may not be started while the tool is carried by the operator. Rotating tool may, in case of an accidental contact, catch clothing and be pulled to the body.
- ✿ Ventilation holes of the tool have to be cleaned regularly. The motor ventilator brings dust into the casing and excessive accumulation of metallic dust can cause an electric hazard.
- ✿ Work with electromechanical tool in the vicinity of flammable materials is prohibited. Ignition of the materials by sparks may occur.
- ✿ Use of accessories requiring cooling by liquid is prohibited. Use of water or other coolants may cause injury or death by electric current.

Safety warning for works such as grinding, surfacing, wire brushing, polishing or abrasive cutting

- ✿ Kick-back is a sudden reaction on pinching or seizing of a rotating disk, support block, brush or other accessory. Pinching or seizing causes sudden stoppage of a rotating tool, which subsequently causes, that uncontrolled tool moves in the opposite direction to the rotation of the tool in the moment of seizing.
- ✿ Kick-back is a consequence of the use of electromechanical tools and/or incorrect working procedures of conditions and it can be prevented by the compliance with the below described safety measures.
- ✿ The tool has to be held firmly while maintaining a correct position of the body and arms to resist the forces of the kick-back. Auxiliary handle has to be used if the tool is fitted with it, for maximum control of the kick-back or reaction torque when starting the tool. The operator can control the reaction torques and the kick-back forces if the correct safety measures are observed.
- ✿ Do not put hands in the vicinity of the rotating tool. The kick-back of the tool may throw the operators arm away.
- ✿ Do not stand in the area, into which the tool might be thrown by the kick-back. Kick-back will throw the tool in the opposite direction to the movement of the disk at the moment of seizure.
- ✿ Pay special attention to the machining of corners, sharp edges etc. Prevent skipping and seizure of the tool. Corners, sharp edges or skipping tends to cause seizure of a rotating tool and loss of control or kick-back.
- ✿ Never attach saw chain woodcarving disk or toothed saw disk to the tool. These disks frequently cause a kick-back or loss of control.

Additional safety instructions for grinding and cutting

Safety warnings specific for grinding and abrasive cutting:

- ✿ Use types of disks recommended for a particular electromechanical tool and particular guard, which is designed for the selected disk. Disks, for which the electromechanical tool was not designed, cannot be appropriately guarded and are dangerous.
- ✿ Protective guard has to be securely attached to the electromechanical tool and placed for maximum safety so the smallest possible part of the disk is uncovered from the operator's point of view. A protective guard helps to protect the operator from fragments of the disk, accidental contact with the disk and sparks, which could ignite clothing.
- ✿ The disks may be used only for a recommended purpose. For example: grinding with the side of a cutting disk is prohibited. Abrasive cutting disks are intended for a circumferential cutting, side forces applied on these disks could shatter them.
- ✿ Always use undamaged disk flanges with appropriate size and shape. Correct disk flanges support the disk and reduce the risk of shattering. Flanges for cutting disks may be different from flanges for grinding disk.
- ✿ Do not use worn disks, with larger original dimensions, intended for larger electromechanical tools. Disks intended for larger electromechanical tools are not suitable for higher speeds of smaller tools and may shatter.

Additional safety instructions for cutting

Additional safety warnings specific for abrasive cutting:

- ✿ -Cutting disk may not strike material or exert excessive pressure. Do not attempt to achieve excessive depth of cut. Overloading of the disk increases the risk of distortion or seizing of the disk and kick-back or breaking of the disk.
- ✿ Do not stand in line with the rotating disk or behind it. In the moment when a disk is moving in the point of contact away from the operator's body, kick-back may throw the spinning disk and electromechanical tool directly on the operator.
- ✿ If the disk seizes or cutting is interrupted for any reason, electromechanical tool has to be switched off and held motionless, until the disk stops completely. The operator may not attempt to remove the cutting disk from a cut while the disk is moving, because it may cause a kick-back. Check the situation and take steps to prevent seizure of the disk.
- ✿ Do not start the cutting in the work piece again. Let the disk to reach full speed and insert it carefully into the cut. If the tool is restarted with the disk inserted in the cut, it may lead to its seizure, pushing up or a kick-back.
- ✿ Panels and other large work pieces have to be supported to reduce the risk of seizure and kick-back. Large pieces of work have a tendency to bend under its own weight. The supports have to be placed beneath the work piece close to the line of cutting and close to the edges of the work piece on both sides of the disk.
- ✿ Pay special attention while "cutting into a cavity" into current walls of other blind spaces. The penetrating disk may cut through a gas or water line, electric cables or objects, which may cause a kick-back.

Additional safety instructions for surfacing

Safety warnings specific for surfacing:

- ✿ Do not use sand paper of excessive size for the grinding disk. Follow the manufacturer's instructions while selecting the sand paper. Large sand paper, which extends over the grinding disk, represents a risk of tearing and may cause seizure, tearing of the disk or a kick-back.

Additional safety instructions for polishing

Safety warnings specific for polishing:

- ✿ Do not let any loose parts of the polishing sleeve or its attachment strings rotate freely. All loose attachment strings have to be slipped beneath or cut away. Loose and rotating attachment strings may get caught in the operator's fingers or in the work piece.

Additional safety instructions for wire brushing

Safety warnings specific for wire brushing:

- ✿ This product is not intended for wire brushing
- ✿ Wire bristles are thrown away even during normal work. Do not overload wires by excessive pressure on the brush. Wire bristles may easily penetrate light clothing and/or skin.
- ✿ If a protective guard is recommended for wire brushing, make sure any contact between the wire disk or brush and the protective cover is prevented. Wire disk or brush may, due to loading or centrifugal forces during work, increase its diameter.
- ✿ Do not use other accessories except for grinding, cutting and diamond discs.
- ✿ Never use the tools without the safety screen.
- ✿ Always use eye protection (protective goggles or safety shield) and hearing protection.
- ✿ Do not use any cutting and grinding discs for side grinding.
- ✿ Make sure to keep the vents free of any obstacles during dusty work.
- ✿ During wall cutting check that there are no electric lines in the walls (using metal detector).
- ✿ Never water-cool grinding disc.
- ✿ Do not touch the edge after machining, it may be hot.
- ✿ Never attach the grinding machine to the work bench.
- ✿ Make sure that the rotational speed specified on the grinding disc is higher than or equals the rotational speed of the angle grinder specified in the type label.
- ✿ Do not cut any material that requires a cut with maximum depth exceeding the depth of the grinding disc.
- ✿ Do not cut and grind light metals with higher magnesium content than 80% as such metals are flammable
- ✿ Make sure that the grinding disc has the right dimensions and is correctly mounted on the spindle.
- ✿ Handle the grinding discs very carefully and in accordance with instructions supplied with the grinding disc.
- ✿ Inspect the grinding disc before each use.
- ✿ Do not use grinding discs that are cracked or otherwise damaged.
- ✿ Make sure that the grinding disc is mounted according to instructions.
- ✿ After mounting the grinding disc, let the grinder run at idle speed in a safe place. If the grinder shows strong vibrations or if the grinding disc shows visible damage, immediately turn off the grinder and try to identify the cause.

- ✿ Do not use any reducers or other auxiliary parts for mounting grinding discs intended for different spindle diameter.
- ✿ Make sure that the material is adequately supported or fixed.
- ✿ Never use grinding disc to remove burrs.
- ✿ Make sure to prevent the sparks from hitting a person or igniting inflammable goods.
- ✿ Do not work with the grinder if someone is standing in the line of the grinding disc. Make sure to clean up the working area around you.
- ✿ Press the locking knob of the disc (3) only after the engine and spindle of the grinder have completely stopped !
- ✿ Remember that the grinding disc will continue to rotate for a while after switching off the grinder due to inertia.
- ✿ Always use the auxiliary handle supplied with the tool.
- ✿ Loss of control over the electric tools could cause injury.

⚠ **WARNING!** Use means of protection against noise, dust and vibrations !!!

⚠ **WARNING!** Keep these safety instructions!!!

6. USE AND OPERATION

- ✿ This angle grinder is intended for household or hobby use only.
- ✿ The manufacturer and importer do not recommend using this tool in extreme conditions and under high load.
- ✿ Any other additional requirements must be agreed between the manufacturer and the customer.
- ✿ The machine is intended for cutting, grinding, rough-working and polishing of metals, stones and ceramic articles, if a suitable disc is used.
- ✿ Use the machine and attachments (note the manufacturer's specifications) only for the intended range of applications.
- ✿ Any other use is strictly forbidden.

Attaching the side handle (Figure B)

- ✿ Mount the side handle (2) into one of the mounting holes.

How to attach and remove the safety guard (Figure C)

- ✿ Unscrew the bolt of the safety guard fastening clamp (7).
- ✿ Attach the safety guard (5) as shown in the figure (C) and tighten the bolt firmly.
- ✿ Use reverse procedure to remove the safety guard.

⚠ **WARNING!** Never use the grinder without the safety screen.

How to attach and remove the grinding disc (Figure D,E,F)

⚠ WARNING! Before attaching or removing the grinding disc always unplug the supply cable of the grinder from the socket.

- ✿ Put the grinder onto table with the spindle facing up.
- ✿ Attach the safety guard (5) according to instructions specified above.
- ✿ Fit the washer (8) on the spindle (4).
- ✿ Fit the grinding disc (9) on the washer.
- ✿ Screw the tightening nut (10) onto the spindle.
- ✿ Press the locking knob (3) and firmly tighten the tightening nut (10) using the Phillips screwdriver.
- ✿ If grinding disc is used, tighten the tightening nut (10) with the guiding lobe facing down (E1).
- ✿ If cutting disc is used, tighten the tightening nut (10) with the guiding lobe facing up (E2).

⚠ WARNING! Press the locking knob of the spindle (3) only after the engine and the spindle of the grinder have stopped and are not running!

- ✿ You must hold the locking knob of the spindle (3) during the entire replacement of the disc.
- ✿ Release the locking knob.
- ✿ Use reverse procedure to remove the grinding disc.

Switching On and Off (Figure G)

- ✿ Switch on the grinder by sliding the switch (1) to position "1"
- ✿ Switch off the grinder by sliding the switch (1) to position "0".

7. WORKING WITH ANGLE GRINDER

- ✿ The optimum angle of disc to work piece is 150°.
- ✿ Maintain the largest possible distance between the disc and operator.
- ✿ Exert only slight pressure and no lateral load on the disc. Note the direction of rotation and watch out for flying sparks.
- ✿ Avoid knocking the work piece.
- ✿ If the disc diameter is less than 80 mm, change the disc.

8. CLEANING AND MAINTENANCE

- ✿ Before cleaning and maintenance, always unplug the supply cable of the tool from the socket.
- ✿ Your tool requires no additional lubrication or maintenance. It contains no parts that can be repaired by you.
- ✿ Never use water or chemical cleaners to clean your tool. Wipe the tool using a dry cloth.
- ✿ Keep the engine fan apertures clean.
- ✿ If you notice very weak sparking in the engine area, your tool is in good order. If the sparking is more intense, it indicates the engine fault.
- ✿ Never clean any part of the tool using a hard, sharp or rough object.

Inspection and Replacement of Carbon Brushes

- ✿ Carbon brushes need to be checked on a regular basis.
- ✿ In case of wear and tear, replace both carbon brushes simultaneously. Attach the carbon brush holders.
- ✿ After attaching new carbon brushes, let the grinder run, without load, for 5 minutes.
- ✿ Use only correct types of carbon brushes.

Storage if the tool is not used for a long time

- ✿ Do not store the tool in places with high temperatures.
- ✿ Store the equipment in a place with constant temperature and humidity.

9. OPERATION AND MAINTENANCE HINTS

- ✿ Store the machine, Instruction Manual and the accessories in the original packaging. In this way you will always have all the information and parts ready to hand.
- ✿ Devices are to a large extent free of maintenance, you only need a damp cloth to clean the casing. Do not drop electrical machines into water. Please note additional hints given in the Instruction Manual.

10. TECHNICAL SPECIFICATIONS

Power supply.....	230V~ / 50Hz
Power input.....	1400W
Speed.....	4000-8600 rpm
Protection class.....	II
Disc diameter	Ø 150 mm
Spindle thread	M 14
Power supply cable length.....	1.8 m
LpA: (sound pressure level).....	93.9 dB(A)
LwA: (sound power level).....	104.9dB (A)
Vibration level.....	ah.D1 = 7.008 ms ⁻² , K = 1.5 ms ⁻²

Instructions Manual - language version only.

Amendments to text and technical parameters are reserved.

Changes in the text, design and technical specifications may change without prior notice and we reserve the right to make these changes. keep it from turning as the drill bit rotates.

Troubleshooting

Suspected malfunctions are often due to causes the user can fix themselves. Therefore check the product using this section .In most cases the problem can be solved quickly .

WARNING!

Only perform the steps described within these instructions! All further inspection ,maintenance and repair work must be performed by an authorized service centre or a similarly qualified specialist if you cannot solve the problem yourself !

Problem	Possible Cause	Solution
1. Product does not start	1.1 Not connected to power supply 1.2 Power cord or plug is defective 1.3 Other electrical defect to the product	1.1 Connect to power supply 1.2 Check by a specialist electrician 1.3 Check by a specialist electrician
2. Product does not reach full power	2.1 Extension cord is not suitable for operation with this product . 2.2 Power source (e.g. generator) has too low voltage 2.3 Air vents are blocked	2.1 Use a proper extension cord 2.2 Connect to another power source 2.3 Clean the air vents
3. Unsatisfactory result	3.1 Disk bit is dull/damaged 3.2 Disk bit is not suitable for work piece material	3.1 Replace with new one 3.2 Use proper drill bit
4. Excessive vibration or noise	4.1 Disk bit is dull/damaged 4.2 Bolts /nuts are loose	4.1 Replace with a new one 4.2 Tighten bolts/nuts

11. DISPOSAL

The machine and its accessories are made of various materials, e.g. of metal and plastics. Hand-over damaged components to sorted waste. Get yourselves informed at a respective authority.

INSTRUCTIONS AND INFORMATION ON DISPOSAL OF USED PACKAGING.

Put any used package material to the place determined by the municipality for waste disposal.

DISPOSAL OF USED ELECTRIC AND ELECTRONIC EQUIPMENT



This symbol on products or accompanying documents means that used electric or electronic products must not be put to ordinary municipal waste. Hand over such products to determined collection points for proper disposal, restoration and recycling. Alternatively, in some countries of the European Union or other European countries you can return your products to your local dealer when you buy an equivalent new product. By dutiful disposal of this product you can preserve precious natural resources and you help prevent any potential adverse effects on the environment and human health which could be the results of wrong waste disposal. Ask your local authority or the nearest collection point for additional details. In case of improper disposal of this waste kind penalties can be imposed in accordance with national regulations.

For companies in the European Union countries

Should you want to dispose of electric and electronic devices, ask your dealer or vendor for necessary information. Disposal in other countries outside the European Union. Should you want to dispose of this product, ask your local authorities or your dealer for necessary information about disposal method.



This product fulfils all basic requirements of the EU directives that apply to it.

Text, design and technical specifications can change without prior notice and we reserve the right for their change.

Elektrická úhlová bruska

NÁVOD K OBSLUZE

Děkujeme vám, že jste si zakoupili tuto elektrickou úhlovou brusku. Než ji začnete používat, přečtěte si, prosím, pozorně tento návod k obsluze a uschovejte jej pro případ dalšího použití.

OBSAH

1. VŠEOBECNÉ BEZPEČNOSTNÍ PŘEDPISY	24
2. SYMBOLY	25
3. POPIS STROJE A OBSAH DODAVKY	26
4. OBECNÉ BEZPEČNOSTNÍ POKYNY	26
5. ZVLÁŠTNÍ BEZPEČNOSTNÍ POKYNY	30
6. POUŽITÍ A PROVOZ	35
7. POKYNY PRO PRÁCI S BRUSKOU	36
8. ČIŠTĚNÍ A ÚDRŽBA	37
9. TIPY PRO PROVOZ A ÚDRŽBU	37
10. TECHNICKÉ ÚDAJE	38
11. LIKVIDACE	40

1. VŠEOBECNÉ BEZPEČNOSTNÍ PŘEDPISY

⚠ POZOR! Před použitím si pečlivě přečtěte návod k použití.

Důležitá bezpečnostní upozornění


- ✿ Výrobek pečlivě vybalte a dejte pozor, abyste nevyhodili žádnou část obalového materiálu dříve, než najdete všechny součásti výrobku.
- ✿ Výrobek uchovávejte na suchém místě mimo dosah dětí.
- ✿ Čtěte všechna upozornění a pokyny. Zanedbání při dodržování varovných upozornění a pokynů mohou mít za následek úraz elektrickým proudem, požár a/nebo těžká poranění.

Obal

Výrobek je umístěn v obalu bránícím poškozením při transportu. Tento obal je surovinou a lze jej proto odevzdat k recyklaci.

Návod k použití

Než začnete se strojem pracovat, přečtěte si následující bezpečnostní předpisy a pokyny k používání. Seznamte se s obslužnými prvky a správným používáním zařízení. Návod pečlivě uschovejte pro případ pozdější potřeby. Minimálně po dobu záruky doporučujeme uschovat originální obal včetně vnitřního balicího materiálu, pokladní doklad a záruční list. V případě přepravy zabalte stroj zpět do originální krabice od výrobce, zajistěte si tak maximální ochranu výrobku při případném transportu (např. stěhování nebo odeslání do servisního místa).

-  **Poznámka:** Předáváte-li stroj dalším osobám, předejte jej společně s návodem. Dodržování příloženého návodu k obsluze je předpokladem řádného používání stroje. Návod k obsluze obsahuje rovněž pokyny pro obsluhu, údržbu a opravy.

Výrobce nepřebírá odpovědnost za nehody nebo škody vzniklé následkem nedodržování tohoto návodu.

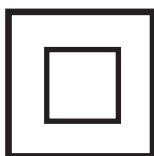
2. SYMBOLY



Tento produkt je vyroben v souladu se schválenými normami.



Před použitím stroje si pozorně přečtěte návod k obsluze.



Dvojitá izolace.



Závit přípravku.



Používejte ochranu zraku.



Použijte ochranné pomůcky na uši

3. POPIS STROJE A OBSAH DODÁVKY

Popis stroje (viz obr. 1)

- | | |
|----------------------------------|----------------------|
| 1 - Vypínač | 9 - Brusný kotouč |
| 2 - Postranní držadlo | 10 - Uťahovací matka |
| 3 - Zajišťovací tlačítko kotouče | 11 - Dotahovací klíč |
| 4 - Vřeteno | |
| 5 - Ochranný kryt | |
| 6 - Plášť | |
| 7 - Šroub ochranného krytu | |
| 8 - Podložka | |

Obsah dodávky

Stroj vyjměte opatrně z obalu a zkontrolujte, zda jsou následující díly kompletní:

- * Bruska
- * Postranní držadlo
- * Uťahovací matky
- * Uťahovací klíč
- * Kryt kotouče
- * Návod k obsluze

Pokud díly chybí nebo jsou poškozeny, obraťte se, prosím, na prodejce, kde jste stroj zakoupili.

4. OBECNÉ BEZPEČNOSTNÍ POKYNY

Tyto bezpečnostní pokyny si pečlivě prostudujte, zapamatujte a uschovejte

⚠ UPOZORNĚNÍ! Při používání elektrických strojů a elektrického nářadí je nutno respektovat a dodržovat následující bezpečnostní pokyny z důvodů ochrany před úrazem elektrickým proudem, zraněním osob a nebezpečím vzniku požáru. Výrazem „elektrické nářadí“ je ve všech níže uvedených pokynech myšleno jak elektrické nářadí napájené ze sítě (napájecím kabelem), tak nářadí napájené z baterií (bez napájecího kabelu). Uschovejte všechna varování a pokyny pro příští použití.

Pracovní prostředí

- * Udržujte pracovní prostor v čistém stavu a dobře osvětlen. Nepořádek a tmavá místa na pracovišti bývají příčinou úrazů. Ukliděte nářadí, které právě nepoužíváte.
- * Nepoužívejte elektrické nářadí v prostředí s nebezpečím vzniku požáru nebo výbuchu, to

znamená v místech, kde se vyskytnou hořlavé kapaliny, plyny nebo prach. V elektrickém nářadí vzniká na komutátoru jiskření, které může být příčinou vznícení prachu nebo výparů.

- ✿ Při používání el. nářadí zamezte přístupu nepovolaných osob, zejména dětí, do pracovního prostoru! Budete-li vyrušováni, můžete ztratit kontrolu nad prováděnou činností. V žádném případě nenechávejte el. nářadí bez dohledu. Zabraňte zvířatům přístup k zařízení.

Elektrická bezpečnost

- ✿ Vidlice napájecího kabelu elektrického nářadí musí odpovídat síťové zásuvce. Nikdy jakýmkoliv způsobem neupravujte vidlici. K nářadí, které má na vidlici napájecího kabelu ochranný kolík, nikdy nepoužívejte rozdvojký ani jiné adaptéry. Nepoškozené vidlice a odpovídající zásuvky omezí nebezpečí úrazu elektrickým proudem. Poškozené nebo zamotané napájecí kabely zvyšují nebezpečí úrazu elektrickým proudem. Pokud je síťový kabel poškozen, je nutno jej nahradit novým síťovým kabelem, který je možné získat v autorizovaném servisním středisku nebo u dovozce.
- ✿ Vyvarujte se dotyku těla s uzemněnými předměty, jako např. potrubí, tělesa ústředního topení, sporáky a chladničky. Nebezpečí úrazu elektrickým proudem je větší, je-li vaše tělo spojeno se zemí.
- ✿ Nevystavujte elektrické nářadí dešti, vlhku nebo mokru. Elektrického nářadí se nikdy nedotýkejte mokřýma rukama. Elektrické nářadí nikdy neumývejte pod tekoucí vodou ani ho neponořujte do vody.
- ✿ Nepoužívejte napájecí kabel k jinému účelu, než pro jaký je určen. Nikdy nenoste a netahejte elektrické nářadí za napájecí kabel. Nevytahujte vidlici ze zásuvky tahem za kabel. Zabraňte mechanickému poškození elektrických kabelů ostrými nebo horkými předměty.
- ✿ El. nářadí bylo vyrobeno výlučně pro napájení střídavým el. proudem. Vždy zkontrolujte, že elektrické napětí odpovídá údaji uvedenému na typovém štítku nářadí.
- ✿ Nikdy nepracujte s nářadím, které má poškozený el. kabel nebo vidlici, nebo spadlo na zem a je jakýmkoliv způsobem poškozené.
- ✿ V případě použití prodlužovacího kabelu vždy zkontrolujte, že jeho technické parametry odpovídají údajům uvedeným na typovém štítku nářadí. Je-li elektrické nářadí používáno venku, používejte prodlužovací kabel vhodný pro venkovní použití. Při použití prodlužovacích bubnů je nutné je rozvinout, aby nedocházelo k přehřátí kabelu.
- ✿ Je-li elektrické nářadí používáno ve vlhkých prostorech nebo venku, je povoleno jej používat pouze, pokud je zapojeno do el. obvodu s proudovým chráničem ≤ 30 mA. Použití el. obvodu s chráničem /RCD/ snižuje riziko úrazu elektrickým proudem.
- ✿ Ruční el. nářadí držte výhradně za izolované plochy určené k uchopení, protože při provozu může dojít ke kontaktu řezacího či vrtacího příslušenství se skrytým vodičem nebo s napájecí šňůrou nářadí.

Bezpečnost osob

- ✿ Při používání elektrického nářadí buďte pozorní a ostražití, věnujte maximální pozornost činnosti, kterou právě provádíte. Soustředte se na práci. Nepracujte s elektrickým nářadím pokud jste unaveni, nebo jste-li pod vlivem drog, alkoholu nebo léků. I chvilková nepozornost při používání elektrického nářadí může vést k vážnému poranění osob. Při práci s el. nářadím nejezte, nepijte a nekuřte.
- ✿ Používejte ochranné pomůcky. Vždy používejte ochranu zraku. Používejte ochranné prostředky odpovídající druhu práce, kterou provádíte. Ochranné pomůcky jako např. respirátor, bezpečnostní obuv s protiskluzovou úpravou, pokrývka hlavy nebo ochrana sluchu používané v souladu s podmínkami práce snižují riziko poranění osob.
- ✿ Vyvarujte se neúmyslného zapnutí nářadí. Nepřenášejte nářadí, které je připojeno k elektrické síti, s prstem na spínači nebo na spoušti. Před připojením k elektrickému napájení se ujistěte, že spínač nebo spoušť jsou v poloze „vypnuto“. Přenášení nářadí s prstem na spínači nebo zapojování vidlice nářadí do zásuvky se zapnutým spínačem může být příčinou vážných úrazů.
- ✿ Před zapnutím nářadí odstraňte všechny seřizovací klíče a nástroje. Seřizovací klíč nebo nástroj, který zůstane připevněn k otáčející se části elektrického nářadí může být příčinou poranění osob.
- ✿ Vždy udržujte stabilní postoj a rovnováhu. Pracujte jen tam, kam bezpečně dosáhnete. Nikdy nepřeceňujte vlastní sílu. Nepoužívejte elektrické nářadí, jste-li unaveni.
- ✿ Oblékejte se vhodným způsobem. Používejte pracovní oděv. Nenoste volné oděvy ani šperky. Dbejte na to, aby se vaše vlasy, oděv, rukavice nebo jiná část vašeho těla nedostala do přílišné blízkosti rotujících nebo rozpálených částí el.nářadí.
- ✿ Připojte zařízení k odsávání prachu. Jestliže má nářadí možnost připojení zařízení pro zachycování nebo odsávání prachu, zajistěte, aby došlo k jeho řádnému připojení a používání. Použití těchto zařízení může omezit nebezpečí vznikající prachem.
- ✿ Pevně upevněte obrobek. Použijte truhlářskou svěrku nebo svěrák pro upevnění dílu, který budete obrábět.
- ✿ Nepoužívejte elektrické nářadí pokud jste pod vlivem alkoholu, drog, léků nebo jiných omamných či návykových látek.
- ✿ Toto zařízení není určené pro použití osobami (včetně dětí) se sníženými fyzickými, smyslovými nebo mentálními schopnostmi nebo s nedostatkem zkušeností a znalostí, pokud nejsou pod dozorem nebo nedostali pokyny s ohledem na použití zařízení od osoby zodpovědné za jejich bezpečnost. Děti musí být pod dozorem, aby jste se ujistili, že si nehrají se zařízením.

Používání elektrického nářadí a jeho údržba

- ✿ El. nářadí vždy odpojte z el. sítě v případě jakéhokoliv problému při práci, před každým čišťením nebo údržbou, při každém přesunu a po ukončení práce! Nikdy nepracujte s el. nářadím, pokud je jakýmkoliv způsobem poškozené.

- ✿ Pokud začne nářadí vydávat abnormální zvuk nebo zápach, okamžitě ukončete práci.
- ✿ Elektrické nářadí nepřetěžujte. Elektrické nářadí bude pracovat lépe a bezpečněji, pokud jej budete provozovat v otáčkách, pro které bylo navrženo. Používejte správné nářadí, které je určeno pro danou činnost. Správné nářadí bude lépe a bezpečněji vykonávat práci, pro kterou bylo zkonstruováno.
- ✿ Nepoužívejte elektrické nářadí, které nelze bezpečně zapnout a vypnout ovládacím spínačem. Používání takového nářadí je nebezpečné. Vadné spínače musí být opraveny certifikovaným servisem.
- ✿ Odpojte nářadí od zdroje elektrické energie předtím, než začnete provádět jeho seřizování, výměnu příslušenství nebo údržbu. Toto opatření zamezí nebezpečí náhodného spuštění.
- ✿ Nepoužívané elektrické nářadí uklidte a uschovejte tak, aby bylo mimo dosah dětí a nepovolaných osob. Elektrické nářadí v ruce nezkušených uživatelů může být nebezpečné. Elektrické nářadí skladujte na suchém a bezpečném místě.
- ✿ Udržujte elektrické nářadí v dobrém stavu. Pravidelně kontrolujte seřízení pohyblivých se částí a jejich pohyblivost. Kontrolujte zda nedošlo k poškození ochranných krytů nebo jiných částí, které mohou ohrozit bezpečnou funkci elektrického nářadí. Je-li nářadí poškozeno, před dalším použitím zajistěte jeho řádnou opravu. Mnoho úrazů je způsobeno špatně udržovaným elektrickým nářadím.
- ✿ Řezací nástroje udržujte ostré a čisté. Správně udržované a naostřené nástroje usnadňují práci, omezují nebezpečí zranění a práce s nimi se snáze kontroluje. Použití jiných příslušenství než těch, která jsou uvedena v návodu k obsluze mohou způsobit poškození nářadí a být příčinou zranění.
- ✿ Elektrické nářadí, příslušenství, pracovní nástroje atd. používejte v souladu s těmito pokyny a takovým způsobem, který je předepsán pro konkrétní elektrické nářadí a to s ohledem na dané podmínky práce a druh prováděné práce. Používání nářadí k jiným účelům, než pro jaké je určeno, může vést k nebezpečným situacím.

Servis

- ✿ Nevyměňujte části nářadí, neprovádějte sami opravy, ani jiným způsobem nezasahujte do konstrukce nářadí. Opravy nářadí svěřte kvalifikovaným osobám.
- ✿ Každá oprava nebo úprava výrobku bez oprávnění naší společnosti je nepřipustná (může způsobit úraz, nebo škodu uživateli).
- ✿ Elektrické nářadí vždy nechte opravit v certifikovaném servisním středisku. Používejte pouze originální nebo doporučené náhradní díly. Zajistíte tak bezpečnost Vaši i Vašeho nářadí.

5. ZVLÁŠTNÍ BEZPEČNOSTNÍ POKYNY

⚠ POZOR! Před použitím si prosím přečtěte tyto bezpečnostní pokyny a pečlivě je uschovejte.

- ✿ V případě nedodržení pokynů uvedených v této příručce, hrozí riziko úrazu.
- ✿ Úhlová bruska odpovídá platným technickým předpisům a normám.
- ✿ Úhlová bruska odpovídá platným technickým předpisům a normám.

Bezpečnostní upozornění společná pro pracovní činnosti broušení, rovinné broušení, broušení drátěným kartáčem, leštění nebo abrazivní řezání

- ✿ Toto elektromechanické nářadí je určeno pro použití jak bruska, rovinná bruska, bruska s drátěným kartáčem, leštička nebo řezací nářadí. Je třeba číst všechna bezpečnostní varování, instrukce, ilustrace a specifikace dané pro toto elektromechanické nářadí. Nedodržení všech níže uvedených pokynů může mít za následek úraz elektrickým proudem, požár a/nebo vážné zranění.
- ✿ Nedoporučuje se provádět tímto nářadím pracovní činnosti jako broušení, rovinné broušení, broušení drátěným kotoučem, leštění nebo řezání. Provádění pracovních činností, pro které není toto nářadí určeno, může vytvořit riziko a způsobit zranění osoby.
- ✿ Nesmí se používat příslušenství, které není výslovně navrženo a doporučeno výrobcem nářadí. Pouhá skutečnost, že příslušenství lze připojit k vašemu nářadí, nezaručuje jeho bezpečný provoz.
- ✿ Jmenovité otáčky příslušenství musí být alespoň rovny maximálním otáčkám vyznačeným na nářadí. Příslušenství, které pracuje při vyšších otáčkách, než jsou jeho jmenovité otáčky, se může rozlomit a rozpadnout.
- ✿ Vnější průměr a tloušťka příslušenství musí být v mezích jmenovitého rozsahu pro dané elektromechanické nářadí. Příslušenství nesprávné velikosti nemůže být dostatečně chráněno

ani ovládáno.

- ✿ Upínací rozměry kotoučů, přírub, opěrných podložek nebo ostatního příslušenství musí být vhodné k upevnění na vřeteně nářadí. Příslušenství s upínacími otvory, které neodpovídají montážním rozměrům elektromechanického nářadí, bude nevyvážené, může nadměrně vibrovat a může způsobit ztrátu kontroly.
- ✿ Nesmí se používat poškozené příslušenství. Před každým použitím se musí zkontrolovat příslušenství: u brusných kotoučů odštipnutí a praskliny, u opěrných podložek trhliny, roztržení nebo nadměrné opotřebení, u drátěných kartáčů uvolněné nebo prasklé dráty. Pokud příslušenství nebo nářadí upadlo, zkontroluje se poškození nebo se namontuje nepoškozené příslušenství. Po zkontrolování a namontování příslušenství se obsluha i okolostojící musí postavit tak, aby se nacházeli mimo roviny rotujícího příslušenství, a nářadí se nechá běžet při nejvyšších otáčkách naprázdno po dobu jedné minuty. Během této zkušební doby se poškozené příslušenství obvykle rozlomí nebo rozpadne.
- ✿ Musí se použít osobní ochranné pracovní prostředky. V závislosti na použití je třeba použít obličejový štít nebo bezpečnostní ochranné brýle. V přiměřeném rozsahu je nutno použít masku proti prachu, chrániče sluchu, rukavice a pracovní zástěru, která je schopna zadržet malé úlomky brusiva nebo obrobku. Ochrana očí musí být schopna zadržet odlétající úlomky, které vznikají při různých pracovních činnostech. Prachová maska nebo respirátor musí být schopny odfiltrovat částičky, které vznikají při dané činnosti. Dlouhotrvající vystavení hluku o vysoké intenzitě může způsobit ztrátu sluchu.
- ✿ Okolostojící musí zůstat v bezpečné vzdálenosti od pracovního prostoru. Každý, kdo vstupuje do pracovního prostoru, musí používat osobní ochranné pracovní prostředky. Úlomky obrobku nebo poškozeného příslušenství mohou odlétnout a způsobit zranění i mimo bezprostřední pracovní prostor.
- ✿ Při provádění činnosti, kde se obráběcí nástroj může dotknout skrytého vedení nebo svého vlastního přívodu, se elektromechanické nářadí musí držet pouze za izolované úchopové povrchy. Dotyk obráběcího nástroje s „živým“ vodičem může způsobit, že se neizolované kovové části elektromechanického nářadí stanou „živými“ a mohou vést k úrazu uživatele elektrickým proudem.
- ✿ Pohyblivý přívod se musí umístit mimo dosah rotujícího nástroje. Ztratí-li obsluha kontrolu, může dojít k přeřiznutí nebo přebroušení pohyblivého přívodu, a ruka nebo paže obsluhy může být vtažena do rotujícího nástroje.
- ✿ Elektromechanické nářadí se nesmí nikdy odložit, dokud se nástroj úplně nezastaví. Rotující nástroj se může zachytit o povrch a vytrhnout nářadí z kontroly obsluhy.
- ✿ Elektromechanické nářadí se nikdy nesmí spouštět během přenášení na straně obsluhy. Rotující nástroj se při náhodném dotyku může zaháknout za oděv obsluhy a přitáhnout se k tělu.
- ✿ Větrací otvory nářadí se musí pravidelně čistit. Ventilátor motoru vtahuje prach dovnitř skříně, a nadměrné nahromadění kovového prachu může způsobit elektrické nebezpečí.

- ✿ S elektromechanickým nářadím se nesmí pracovat v blízkosti hořlavých materiálů. Mohlo by dojít ke vznícení těchto materiálů od jisker.
- ✿ Nesmí se používat příslušenství, které vyžaduje chlazení kapalinou. Použití vody, nebo jiných chladících kapalin může způsobit úraz nebo usmrcení elektrickým proudem.

Další bezpečnostní pokyny pro všechny pracovní činnosti

Zpětný vrh a související varování

Zpětný vrh je náhlá reakce na sevření nebo zaseknutí rotujícího kotouče, opěrné podložky, kartáče nebo jiného příslušenství. Sevření nebo zaseknutí způsobí prudké zastavení rotujícího nástroje, které následovně způsobí, že se nekontrolované nářadí pohybuje ve směru opačném ke směru otáčení nástroje v bodě uváznutí.

Zpětný vrh je následkem nesprávného používání elektromechanického nářadí a/nebo nesprávných pracovních postupů či podmínek a lze mu zabránit řádným dodržením níže popsaných bezpečnostních opatření.

- ✿ Nářadí je třeba držet pevně a je nutno udržovat správnou polohu těla a paže tak, aby bylo možno odolat silám zpětného vrhu. Vždy se musí použít pomocná rukojeť, je-li nářadí vybaveno, kvůli maximální kontrole nad zpětným vrhem nebo reakčním kroutícím momentem při uvedení stroje do chodu. Obsluha je schopna kontrolovat reakční krouticí momenty a síly zpětného vrhu, dodržuje-li správná bezpečnostní opatření.
- ✿ Ruka se nikdy nesmí přibližovat k rotujícímu nástroji. Nástroj může zpětným vrhem odmrštit ruku obsluhy.
- ✿ Nesmí se stát v prostoru, kam se může nářadí dostat, dojde-li ke zpětnému vrhu. Zpětný vrh vrhne nářadí ve směru opačném ke směru pohybu kotouče v bodě zaseknutí.
- ✿ Je třeba věnovat zvláštní pozornost opracování rohů, ostrých hran apod. Je nutno předcházet poskakování a zaseknutí nástroje. Rohy, ostré hrany nebo poskakování mají tendenci zaseknout rotující nástroj a způsobit ztrátu kontroly nebo zpětný vrh.
- ✿ K nářadí se nesmí připojit pilový řetězový řezbářský kotouč nebo pilový kotouč se zuby. Tyto kotouče způsobují často zpětný vrh a ztrátu kontroly

Doplňkové bezpečnostní pokyny pro pracovní činnosti broušení a řezání

Bezpečnostní varování specifická pro pracovní činnosti broušení a abrazivní řezání:

- ✿ Používají se typy kotoučů, které jsou doporučeny pro toto elektromechanické nářadí a specifický ochranný kryt, který je konstruován pro vybraný kotouč. Kotouče, pro které nebylo elektromechanické nářadí konstruováno, nemohou být odpovídajícím způsobem zakryty a jsou nebezpečné.
- ✿ Ochranný kryt musí být bezpečně připevněn k elektromechanickému nářadí a umístěn pro maximální bezpečnost tak, aby byla ve směru k obsluze odkryta co nejmenší část kotouče. Ochranný kryt pomáhá chránit obsluhu před úlomky kotouče, náhodným dotykem s kotoučem a jiskrami, které mohou zapálit oblečení.

- ✿ Kotouče se musí používat pouze pro doporučená použití. Například: není dovoleno broušení boční stranou řezacího kotouče. Abrazivní řezací kotouče jsou určeny pro obvodové řezání, stranové síly působící na tyto kotouče by je mohly roztržít.
- ✿ Vždy se musí používat nepoškozené příruby kotouče, které mají pro zvolený kotouč správnou velikost a tvar. Správné Příruby kotouče podepírají kotouč a tím snižují možnost prasknutí kotouč. Příruby pro řezací kotouče se mohou lišit od přírub pro brousící kotouč.
- ✿ Nesmí se používat opotřebené kotouče původně větších rozměrů, které jsou určeny pro větší elektromechanické nářadí. Kotouče určené pro větší elektromechanické nářadí nejsou vhodné pro větší otáčky menšího nářadí a mohou prasknout.

Doplňkové bezpečnostní pokyny pro řezání

Doplňková bezpečnostní varování specifická pro pracovní činnosti abrazivního řezání:

- ✿ Řezací kotouč se nesmí zarážet do materiálu ani se na něj nesmí působit nadměrným tlakem. Nesmí se vyvíjet snaha dosáhnout nadměrné hloubky řezu. Přetížení kotouče zvyšuje zatížení a náchylnost ke zkroucení nebo zaseknutí kotouč v řezu a možnost zpětného vrhu nebo prasknutí kotouč.
- ✿ V přímce s rotujícím kotoučem nebo za ním se nestojí. V okamžiku, když se kotouč v pracovním bodě pohybuje od těla obsluhy, možný zpětný vrh může vrhnout protáčející se kotouč a elektromechanické nářadí přímo na obsluhu.
- ✿ Pokud se kotouč zasekne nebo se řezání z nějakého důvodu přeruší, elektromechanické nářadí se musí vypnout a držet nehybně, dokud se kotouč úplně nezastaví. Obsluha se nikdy nesmí pokoušet o vyjmutí řezacího kotouč z řezu, je-li kotouč v pohybu, protože může dojít ke zpětnému vrhu. Je nutno prověřit situaci a sjednat nápravu, aby se vyloučilo zaseknutí kotouče.
- ✿ Řezání v obrobku se nesmí znovu začít. Kotouč se nechá dosáhnout plných otáček a opatrně se znovu vnoří do řezu. Pokud se nářadí znovu spustí s kotoučem zanořeným v řezu, může dojít k jeho zaseknutí, vytlačení nahoru, nebo ke zpětnému vrhu.
- ✿ Panely a jiné velké kusy obrobků je nutno podepřít, aby se zmenšilo nebezpečí zaseknutí kotouč a zpětného vrhu. Velké obrobky mají tendenci prohýbat se vlastní vahou. Podpěry se musí umístit pod obrobek poblíž přímky řezu a v blízkosti hran obrobku na obou stranách kotouče.
- ✿ Je třeba věnovat zvláštní pozornost při provádění „řezu do dutiny“ do stávajících zdí nebo jiných slepých prostor. Pronikající kotouč může proříznout plynové nebo vodovodní potrubí, elektrické vedení nebo předměty, které mohou způsobit zpětný vrh.

Doplňkové bezpečnostní pokyny pro pracovní činnosti rovinného broušení

Bezpečnostní varování specifická pro pracovní činnosti rovinného broušení:

- ✿ Pro brousící talíř se nepoužívá nadměrně velký brusný papír. Při výběru brousícího papíru je potřeba se řídit doporučením výrobce. Velký brusný papír, který přesahuje přes brousící desku, přestavuje riziko roztržení a může způsobit zaseknutí, roztržení kotouče nebo zpětný vrh.

Doplňkové bezpečnostní pokyny pro pracovní činnosti leštění Bezpečnostní varování specifická pro pracovní činnosti leštění:

Žádná uvolněná část lešticího návleku nebo jeho upevňovací tkaničky se nenechá volně točit. Všechny uvolněné upevňovací tkaničky se založí nebo ustříhnou. Uvolněné a rotující upevňovací tkaničky se mohou zamotat do prstů obsluhy nebo zaseknout na obrobku.

Doplňkové bezpečnostní pokyny pro pracovní činnosti broušení s drátěným kartáčem Bezpečnostní varování specifická pro pracovní činnosti broušení s drátěným kartáčem:

- ✿ Tento výrobek není určený na broušení drátěným kartáčem
- ✿ I při běžné činnosti dochází k odhazování drátěných štětín z kartáče. Dráty se nesmí přetěžovat nadměrným zatížením kartáče. Drátěné štětiny mohou snadno proniknout lehkým oděvem a/nebo kůží.
- ✿ Je-li pro broušení drátěným kartáčem doporučeno použití ochranného krytu, zajistí se, aby nedošlo k žádnému dotyku mezi drátěným kotoučem nebo kartáčem a ochranným krytem. Drátěný kotouč nebo kartáč může při práci vlivem zatížení a odstředivých sil zvětšovat svůj průměr.
- ✿ Kromě brusných, řezných a diamantových kotoučů nepoužívejte jiné příslušenství.
- ✿ Nikdy nepoužívejte nářadí bez ochranného krytu.
- ✿ Používejte vždy ochranu zraku (ochranné brýle resp.ochranný štít) a sluchu.
- ✿ Nepoužívejte žádné řezné a brusné kotouče na boční broušení.
- ✿ Dbejte na to, aby po dobu prašné práce byly větrací otvory volné.
- ✿ Při řezání do stěn zkontrolujte, zda se ve stěnách nenachází el. vedení (detektorem na kov).
- ✿ Brusný kotouč nikdy neochlazujte vodou.
- ✿ Nedoťýkejte se obruby po opracování, může být horká.
- ✿ Brusku nikdy nepřipevňujte k pracovnímu stolu.
- ✿ Přesvědčte se, že počet otáček uvedený na brusném kotouči je vyšší než počet otáček hlovice brusky uvedený na typovém štítku, nebo stejný.
- ✿ Neřežte materiál, který vyžaduje řez o maximální hloubce přesahující hloubku brusného kotouče.
- ✿ Neřežte a nebruste lehké kovy s obsahem hořčíku vyšším než 80%, neboť takové kovy jsou hořlavé
- ✿ Dbejte na to, aby měl brusný kotouč správné rozměry a byl na vřetenu správně upevněn.
- ✿ S brusnými kotouči nakládejte velmi opatrně a v souladu s pokyny, které jsou k brusnému kotouči přiloženy.
- ✿ Před každým použitím brusný kotouč prohlédněte.
- ✿ Nepoužívejte brusné kotouče, které jsou popraskané nebo jinak poškozené.
- ✿ Ujistěte se, že brusný kotouč je nasazen dle pokynů.

- ✿ Po nasazení brusného kotouče nechte brusku běžet s otáčkami naprázdno na bezpečném místě. Pokud bruska silně vibruje, nebo pokud jsou na brusném kotouči patrná poškození, okamžitě brusku vypněte a pokuste se zjistit příčinu.
- ✿ Nepoužívejte redukce nebo jiné pomocné díly k nasazení brusných kotoučů pro odlišný průměr vřetena.
- ✿ Dbejte na to, aby materiál byl řádně podepřen nebo upevněn.
- ✿ Nikdy nepoužívejte řezný kotouč k odstranění ostřin.
- ✿ Dbejte na to, aby jiskry nemohly nikoho zasáhnout, a aby nemohly zapálit hořlavé látky.
- ✿ S bruskou nepracujte, pokud někdo stojí v linii brusného kotouče. Zajistěte, aby byl pracovní prostor okolo Vás čistý.
- ✿ Zajišťovací tlačítko kotouče (3) stlačte pouze tehdy, pokud se motor a vřeteno brusky již úplně zastavily !
- ✿ Pamatujte na to, že brusný kotouč se po vypnutí brusky bude setrvačností ještě chvíli dotáčet.
- ✿ Vždy používejte pomocnou rukojeť, která je dodávána s nářadím.
- ✿ Ztráta kontroly nad el. nářadím může způsobit poranění.

⚠ POZOR! Používejte ochranné prostředky proti hluku, prachu a vibracím !!!

⚠ POZOR! TYTO BEZPEČNOSTNÍ POKYNY USCHOVEJTE !!!

6. POUŽITÍ A PROVOZ

- ✿ Tato úhlová bruska je určena pouze pro domácí nebo hobby použití.
- ✿ Výrobce a dovozce nedoporučují používat toto nářadí v extrémních podmínkách a při vysokém zatížení.
- ✿ Jakékoliv další doplňující požadavky musí být předmětem dohody mezi výrobcem a odběratelem.
- ✿ S využitím vhodných kotoučů je bruska určena k řezání, broušení, hrubování a leštění kovů, kamene a keramických materiálů.
- ✿ Nářadí a příslušenství používejte výhradně k stanoveným účelům použití, viz pokyny výrobce nářadí.
- ✿ Jakékoli jiné použití nářadí je přísně zakázáno.

Nasazení postranní rukojeti (Obrázek B)

- ✿ Postranní rukojeť (2) upevněte v jednom z montážních otvorů.

Jak připevnit a sejmut ochranný kryt (Obrázek C)

- ✿ Uvolněte šroub upínací svorky krytu (7).
- ✿ Nasadte ochranný kryt (5) podle obrázku (C) a šroub pevně utáhněte.
- ✿ Ochranný kryt sejměte obráceným postupem.

⚠ POZOR! Brusku nikdy nepoužívejte bez ochranného krytu.

Jak nasadit a sejmout brusný kotouč (Obrázek D,E,F)

- ⚠ POZOR!** Před nasazením nebo sejmutím brusného kotouče vždy vytáhněte přívodní kabel brusky ze zásuvky.
- ✿ Položte brusku na stůl vřetenem vzhůru.
 - ✿ Připevněte ochranný kryt (5) dle pokynů uvedených výše.
 - ✿ Na vřeteno (4) nasadte podložku (8).
 - ✿ Na podložku nasadte brusný kotouč (9).
 - ✿ Na vřeteno našroubujte utahovací matku (10).
 - ✿ Stiskněte zajišťovací tlačítko (3) a křížovým šroubovákem pevně dotáhněte utahovací matku (10). V případě použití brusného kotouče, utáhněte utahovací matici (10) vodícím výstupkem dolů (E1).
 - ✿ V případě použití řezného kotouče, utáhněte utahovací matici (10) vodícím výstupkem nahoru (E2).
- ⚠ POZOR!** Zajišťovací tlačítko vřetene (3) stiskněte pouze tehdy, když se motor a vřeteno brusky již zastavily a jsou v klidu!
- ✿ Zajišťovací tlačítko vřetene (3) musíte přidržovat stisknuté po celou dobu, kdy kotouč vyměňujete.
 - ✿ Uvolněte zajišťovací tlačítko.
 - ✿ Brusný kotouč sejměte opačným postupem.

Zapnutí a vypnutí (Obrázek G)

- ✿ Brusku zapnete posunutím vypínače (1) do polohy „I“
- ✿ Posunutím vypínače (1) do polohy „0“ se bruska vypne.

7. POKYNY PRO PRÁCI S BRUSKOU

- ✿ Optimální úhel kotouče vůči obrobku je 150°.
- ✿ Zachovávejte co největší odstup mezi kotoučem a pracovníkem.
- ✿ Na brusku tlačte pouze mírným tlakem, nezatěžujte brusku z boku. Sledujte směr otáčení kotouče a dávejte pozor na létající jiskry.
- ✿ Zabraňte pádu obráběného kusu.
- ✿ Pokud průměr kotouče činí méně než 80 mm, kotouč vyměňte.

8. ČIŠTĚNÍ A ÚDRŽBA

- ✿ Před čištěním a údržbou, vždy vytáhněte přívodní kabel nářadí ze zásuvky.
- ✿ Vaše nářadí nepotřebuje žádné dodatečné mazání nebo údržbu. Nejsou v něm žádné Vámi opravitelné části.
- ✿ Nikdy nepoužívejte vodu nebo chemická čisticí prostředky na čištění vašeho nářadí. Utřete ho suchou tkaninou.
- ✿ Udržujte otvory ventilátoru motoru čisté.
- ✿ Pokud spatříte v prostoru motoru velmi slabé jiskření, je Vaše nářadí v pořádku. Při zvýšeném jiskření se jedná o závadu na motoru.
- ✿ Nikdy nečistěte žádnou část nářadí tvrdým, ostrým a nebo drsným předmětem.

Kontrola a výměna uhlíků

- ✿ Uhlíky je nutno pravidelně kontrolovat.
- ✿ V případě opotřebení vyměňte oba uhlíky současně. Připevňte držáky uhlíků .
- ✿ Po připevnění nových uhlíků nechte brusku běžet 5 minut bez zátěže.
- ✿ Používejte výhradně uhlíky správného typu.

Uskladnění při dlouhodobějším nepoužívání

- ✿ Nářadí neskladujte na místě, kde je vysoká teplota.
- ✿ Pokud je možné skladujte zařízení na místě se stálou teplotou a vlhkostí.

9. TIPY PRO PROVOZ A ÚDRŽBU

- ✿ Nářadí, příslušenství a návod k obsluze skladujte v originálním obalu, tak budete mít vždy k dispozici všechny potřebné díly i informace.
- ✿ Bruska je prakticky bezúdržbová, jediným úkonem je pravidelné očištění krytu brusky vlhkým hadříkem. Braňte kontaktu brusky s vlhkostí a vodou. Dodržujte pokyny uvedené v tomto návodu k obsluze

10. TECHNICKÉ ÚDAJE

Napájení	230V~ / 50Hz
Příkon	1400W
Otáčky	4000 -8600 ot./min
Třída ochrany	II
Průměr kotouče	Ø 150 mm
Závít vřetene	M 14
Délka napájecího kabelu	1,8 m
LpA: (akustický tlak)	93.9 dB(A)
LwA: (akustický výkon)	104.9 dB(A)
úroveň vibrací	ah.D1 =7.008 ms ⁻² , K = 1.5 ms ⁻²

Návod k použití v originálním jazyce.

Změna textu a technických parametrů vyhrazena.

Změny v textu, designu a technických specifikacích se mohou měnit bez předchozího upozornění a vyhrazujeme si právo na jejich změnu.

Řešení problémů

Předpokládané poruchy mají často příčiny, které uživatel zvládne vyřešit vlastními silami. Zkuste proto výrobek zkontrolovat s použitím této sekce. Ve většině případů je možné problém rychle odstranit.

UPOZORNĚNÍ!

Provádějte pouze kroky popsané v tomto návodu! V případě, že nejste schopni problém vyřešit sami, pak jakékoli další kontroly, údržby a opravy musejí být prováděny autorizovaným servisním centrem nebo odborníkem s obdobnou kvalifikací!

Problém	Možná příčina	Řešení
1. Produkt se nespuští	1.1 Nezapojeno do elektrické sítě 1.2 Vadný napájecí kabel nebo zástrčka 1.3 Jiná závada elektrického napájení	1.1 Zapojte do elektrické sítě 1.2 Nechte zkontrolovat elektrikářem 1.3 Nechte zkontrolovat elektrikářem
2. Produkt nedosáhne plného výkonu	2.1 Prodlužovací kabel není vhodný pro provoz s tímto produktem. 2.2 Zdroj napájení (např. generátor) má příliš nízké napětí 2.3 Větrací průduchy jsou blokovány	2.1 Použijte náležitý prodlužovací kabel 2.2 Zapojte do jiného zdroje napájení 2.3 Vyčistěte větrací průduchy
3. Neuspokojivý výsledek	3.1 Kotouč je opotřebený /poškozený 3.2 Kotouč není vhodný pro materiál určený k obrábění	3.1 Vyměňte za nový 3.2 Použijte náležitý vrták
4. Nadměrné vibrace nebo hluk	4.1 Vrták je tupý/poškozený 4.2 Šrouby/matice jsou uvolněné	4.1 Vyměňte za nový 4.2 Utáhněte šrouby/matice

11. LIKVIDACE

POKYNY A INFORMACE O NAKLÁDÁNÍ S POUŽITÝM OBALEM

Použitý obalový materiál odložte na místo určené obcí k ukládání odpadu.

LIKVIDACE POUŽITÝCH ELEKTRICKÝCH A ELEKTRONICKÝCH ZAŘÍZENÍ



Tento symbol na produktech anebo v průvodních dokumentech znamená, že použité elektrické a elektronické výrobky nesmí být přidány do běžného komunálního odpadu. Ke správné likvidaci, obnově a recyklaci předejte tyto výrobky na určená sběrná místa. Alternativně v některých zemích Evropské unie nebo jiných evropských zemích můžete vrátit své výrobky místnímu prodejci při koupi ekvivalentního nového produktu. Správnou likvidací tohoto produktu pomůžete zachovat cenné přírodní zdroje a napomáháte prevenci potenciálních negativních dopadů na životní prostředí a lidské zdraví, což by mohly být důsledky nesprávné likvidace odpadů. Další podrobnosti si vyžádejte od místního úřadu nebo nejbližšího sběrného místa. Při nesprávné likvidaci tohoto druhu odpadu mohou být v souladu s národními předpisy uděleny pokuty.

Pro podnikové subjekty v zemích Evropské unie

Chcete-li likvidovat elektrická a elektronická zařízení, vyžádejte si potřebné informace od svého prodejce nebo dodavatele. Likvidace v ostatních zemích mimo Evropskou unii Tento symbol je platný v Evropské unii. Chcete-li tento výrobek zlikvidovat, vyžádejte si potřebné informace o správném způsobu likvidace od místních úřadů nebo od svého prodejce.



Tento výrobek splňuje veškeré základní požadavky směrnice EU, které se na něj vztahují.

Změny v textu, designu a technických specifikacích se mohou měnit bez předchozího upozornění a vyhrazujeme si právo na jejich změnu.

Elektrická uhlová brúska

NÁVOD NA OBSLUHU

Ďakujeme vám, že ste si zakúpili túto elektrickú uhlovú brúska. Skôr, než ju začnete používať, prečítajte si prosím pozorne tento návod na obsluhu a uschovajte ho pre prípad ďalšieho použitia.

OBSAH

1. VŠEOBECNÉ BEZPEČNOSTNÉ PREDPISY	43
2. SYMBOLY	43
3. POPIS STROJA A OBSAH DODÁVKY	44
4. VŠEOBECNÉ BEZPEČNOSTNÉ POKYNY	44
5. ZVLÁŠTNE BEZPEČNOSTNÉ POKYNY	48
6. POUŽITIE A PREVÁDZKA	54
7. POKYNY PRE PRÁCU S BRÚSKOU	55
8. ČISTENIE A ÚDRŽBA	56
9. TIPY NA PREVÁDZKU A ÚDRŽBU	56
10. TECHNICKÉ ÚDAJE	57
11. LIKVIDÁCIA	59

1. VŠEOBECNÉ BEZPEČNOSTNÍ PŘEDPISY

⚠ POZOR! Před použitím si pečlivě přečtěte návod k použití.

Důležitá bezpečnostní upozornění

- ✿ Výrobek pečlivě vybalte a dejte pozor, abyste nevyhodili žádnou část obalového materiálu dříve, než najdete všechny součásti výrobku.
- ✿ Výrobek uchovávejte na suchém místě mimo dosah dětí.
- ✿ Čtěte všechna upozornění a pokyny. Zanedbání při dodržování varovných upozornění a pokynů mohou mít za následek úraz elektrickým proudem, požár a/nebo těžká poranění.

Obal

Výrobek je umístěn v obalu bránícím poškozením při transportu. Tento obal je surovinou a lze jej proto odevzdat k recyklaci.

Návod k použití

Než začnete se strojem pracovat, přečtěte si následující bezpečnostní předpisy a pokyny k používání. Seznamte se s obslužnými prvky a správným používáním zařízení. Návod pečlivě uschovejte pro případ pozdější potřeby. Minimálně po dobu záruky doporučujeme uschovat originální obal včetně vnitřního balicího materiálu, pokladní doklad a záruční list. V případě přepravy zabalte stroj zpět do originální krabice od výrobce, zajistíte si tak maximální ochranu výrobku při případném transportu (např. stěhování nebo odeslání do servisního místa).

- 📖 Poznámka:** Předáváte-li stroj dalším osobám, předejte jej společně s návodem. Dodržování příloženého návodu k obsluze je předpokladem řádného používání stroje. Návod k obsluze obsahuje rovněž pokyny pro obsluhu, údržbu a opravy.

Výrobce nepřebírá odpovědnost za nehody nebo škody vzniklé následkem nedodržování tohoto návodu.

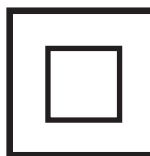
2. SYMBOLY



Tento produkt je vyrobený v súlade so schválenými normami.



Pred použitím stroja si pozorne prečítajte návod na obsluhu.



Dvojitá izolácia.



Závit prípravku



Používajte ochranu zraku.



Použite ochranné pomôcky na uši

3. POPIS STROJA A OBSAH DODÁVKY

Popis stroja (viď obr. 1)

- | | |
|---------------------------------|------------------------------|
| 1 - Vypínač | 7 - Skrutka ochranného krytu |
| 2 - Bočná rukoväť | 8 - Podložka |
| 3 - Zaisfovacie tlačítko kotúča | 9 - Brúsny kotúč |
| 4 - Vreteno | 10 - Uťahovacia matica |
| 5 - Ochranný kryt | 11 - Doťahovací kľúč |
| 6 - Plášť | |

Obsah dodávky

Stroj vyberte opatrne z obalu a skontrolujte, či sú nasledujúce diely kompletne:

- * Brúška
- * Bočná rukoväť
- * Uťahovacie matky
- * Uťahovací kľúč
- * Kryt kotúča
- * Návod na obsluhu

Pokiaľ diely chýbajú alebo sú poškodené, obráťte sa prosím na predajcu, u ktorého ste stroj zakúpili.

4. VŠEOBECNÉ BEZPEČNOSTNÉ POKYNY

Tieto bezpečnostné pokyny si starostlivo preštudujte, zapamätajte a uschovajte.

- ⚠ Upozornenie!** Pri používaní elektrických strojov a elektrického náradia je nutné rešpektovať a dodržiavať nasledujúce bezpečnostné pokyny z dôvodu ochrany pred úrazom elektrickým prúdom, zranením osôb a nebezpečím vzniku požiaru. Výrazom „elektrické náradie“ je vo všetkých nižšie uvedených pokynoch myslené nielen náradie napájané z elektrickej siete (napájacím káblom) ale i náradie napájanie z akumulátoru. (bez napájacieho kábla). Odložte všetky varovania a pokyny pre budúce použitie.

Pracovné prostredie

- * Udržujte pracovný priestor v čistom stave a dobre osvetlený. Neporiadok a tmavé miesta na pracovisku bývajú príčinou úrazov. Odložte náradie, ktoré práve nepoužívate.

- ✿ Nepoužívajte elektrické náradie v prostredí s nebezpečenstvom vzniku požiaru alebo výbuchu, to znamená v miestach, kde sa vyskytujú horľavé kvapaliny, plyny alebo prach. V elektrickom náradí vznikajú iskry, ktoré môžu byť príčinou vznietenia prachu alebo výparov. Zabráňte zvieratám prístup k náradíu.
- ✿ Pri používaní el. náradia zabráňte prístupu nepovolaných osôb do pracovného priestoru, najmä detí. Ak budete vyrušovaní, môžete stratiť kontrolu nad pracovnou činnosťou. V žiadnom prípade nenechávajte el. náradie bez dohľadu.

Elektrická bezpečnosť

- ✿ Vidlica napájacieho kábla elektrického náradia musí zodpovedať sieťovej zásuvke. Nikdy akýmkoľvek spôsobom neupravujte el. prívodný kábel. Náradie, ktoré má na vidlici prívodné šnúry ochranný kolík, nikdy nepripájajte rozdvojkami alebo inými adaptérmí. Nepoškodené vidlice a zodpovedajúce zásuvky znížia nebezpečenstvo úrazu elektrickým prúdom. Poškodené alebo zamoťané prívodné káble zvyšujú nebezpečenstvo úrazu elektrickým prúdom. Ak sa sieťová šnúra poškodí, musí sa nahradiť osobitou sieťovou šnúrou, ktorú možno dostať u výrobcu alebo jeho obchodného zástupcu.
- ✿ Vyvarujte sa dotyku tela s uzemnenými plochami, ako napr. potrubné systémy, telesá ústredného kúrenia, šporáky a chladničky. Nebezpečenstvo úrazu elektrickým prúdom je väčšie, ak je Vaše telo spojené so zemou.
- ✿ Nevystavujte elektrické náradie dažďu, vlhku alebo vode. Elektrického náradia sa nikdy nedotýkajte mokrými rukami. Elektrické náradie nikdy neumývajte pod tečúcou vodou ani ho neponárajte do vody.
- ✿ Nepoužívajte napájací kábel k inému účelu, než pre aký je určený. Nikdy nenoste a neťahajte elektrické náradie za napájací kábel. Nevyťahujte vidlicu zo zásuvky ťahom za kábel. Zabráňte mechanickému poškodeniu elektrických káblov ostrým alebo horúcim predmetom
- ✿ El. náradie bolo vyrobené výlučne pre napájanie striedavým el. prúdom. Vždy skontrolujte, či el. napätie zodpovedá údaju uvedenému na typovom štítku.
- ✿ Nikdy nepracujte s náradím, ktoré má poškodený el. kábel príp. vidlicu, alebo spadlo na zem a je akýmkoľvek spôsobom poškodené.
- ✿ V prípade použitia predlžovacieho kábla vždy skontrolujte či jeho technické parametre odpovedajú údajom uvedeným na typovom štítku náradia. Ak je elektrické náradie používané vonku, používajte predlžovací kábel vhodný pre vonkajšie použitie. Pri použití predlžovacích bubnov je potrebné ich rozvinúť, aby nedochádzalo k ich prehriatiu.
- ✿ Ak je elektrické náradie používané vo vlhkých priestoroch alebo vonku je povolené používať ho iba ak je zapojené do el. obvodu s prúdovým chráničom ≤ 30 mA. Použitie el. obvodu s chráničom /RCD/ znižuje riziko úrazu elektrickým prúdom.
- ✿ Držte el. ručné náradie výlučne za izolované plochy určené na uchopenie, pretože pri prevádzke môže dôjsť ku kontaktu rezacieho či vŕtacieho príslušenstva so skrytým vodičom alebo vlastnou šnúrou.

Bezpečnosť osôb

- ✿ Pri používaní elektrického náradia buďte pozorní a ostražitý, venujte maximálnu pozornosť činnosti, ktorú práve prevádzate. Sústreďte sa na prácu. Nepracujte s elektrickým náradím ak ste unavení, alebo ste pod vplyvom drog, alkoholu alebo liekov. Aj chvíľková nepozornosť pri používaní elektrického náradia môže viesť k vážnemu poraneniu osôb. Pri práci s el. náradím nejedzte, nepite a nefajčíte.
- ✿ Používajte ochranné pomôcky. Vždy používajte ochranu očí. Používajte ochranné prostriedky odpovedajúce druhu práce, ktorú prevádzate. Ochranné pomôcky ako napr. respirátor, bezpečnostná obuv s protišmykovou úpravou, pokrývka hlavy alebo ochrana sluchu, používané v súlade s podmienkami práce, znižujú riziko poranenia osôb.
- ✿ Vyvarujte sa neúmyselnému zapnutiu el. náradia. Neprenášajte el. náradie, ktoré je pripojené k elektrickej sieti, s prstom na vypínači alebo na spúšti. Pred pripojením k elektrickému napätiu sa uistite, či vypínač alebo spúšť sú v polohe „vypnuté“. Prenášanie el. náradia s prstom na vypínači alebo pripájanie vidlice el. náradia do zásuvky zo zapnutým vypínačom môže byť príčinou vážnych úrazov.
- ✿ Pred zapnutím el. náradia odstráňte všetky nastavovacie kľúče a nástroje. Nastavovací kľúč alebo nástroj, ktorý zostane pripevnený k otáčajúcej sa časti elektrického náradia môže byť príčinou poranenia osôb.
- ✿ Vždy udržiavajte stabilný postoj a rovnováhu. Pracujte len tam, kam bezpečne dosiahnete. Nikdy nepreceňujte vlastnú silu. Nepoužívajte elektrické náradie, ak ste unavení.
- ✿ Obliekajte sa vhodným spôsobom. Používajte pracovné oblečenie. Nenoste voľné oblečenie ani šperky. Dbajte na to, aby sa vaše vlasy, oblečenie, rukavice alebo iná časť Vášho tela nedostala do prílišnej blízkosti rotujúcich alebo rozpálených častí el. náradia.
- ✿ Pripojte el. náradie k odsávaniu prachu. Ak má el. náradie možnosť pripojenia zariadenia na zachytávanie alebo odsávanie prachu, uistite sa, že došlo k jeho riadnemu pripojeniu a používaniu. Použitie takýchto zariadení môže obmedziť nebezpečenstvo vznikajúce prachom.
- ✿ Pevne upevnite obrobok. Použite stolársku svorku alebo zverák pre upevnenie obrobku, ktorý budete obrábať.
- ✿ Nepoužívajte akékoľvek náradie ak ste pod vplyvom alkoholu, drog, liekov alebo inýchomamných či návykových látok.
- ✿ Toto zariadenie nie je určené na použitie osobami (vrátane detí) so zníženými fyzickými, zmyslovými alebo mentálnymi schopnosťami alebo s nedostatkom skúseností a znalostí, pokiaľ nie sú pod dozorom alebo nedostali pokyny ohľadom použitia zariadenia od osoby zodpovednej za ich bezpečnosť. Deti musia byť pod dozorom, aby ste sa uistili, že sa nehrajú so zariadením.

Používanie a starostlivosť o elektrické náradie.

- ✿ El. náradie vždy odpojte od el. siete v prípade akéhokoľvek problému pri práci, pred každým čistením alebo údržbou, pri každom presune a pri ukončení činnosti! Nikdy nepracujte s el. náradím, ak je akýmkoľvek spôsobom poškodené.

- ✿ Ak začne náradie vydávať abnormálny zvuk alebo zápach, okamžite ukončíte prácu.
- ✿ Elektrické náradie nepreťažujte. Elektrické náradie bude pracovať lepšie a bezpečnejšie, ak s ním budete pracovať v otáčkach, pre ktoré bolo navrhnuté. Používajte správne náradie, ktoré je určené pre danú činnosť. Vhodné náradie bude dobre a bezpečne vykonávať prácu, pre ktorú bolo vyrobené.
- ✿ Nepoužívajte elektrické náradie, ktoré nemožno bezpečne zapnúť a vypnúť ovládacím vypínačom. Používanie takého náradia je nebezpečné. Vadný vypínač musí byť opravený certifikovaným servisom.
- ✿ Odpojte náradie od elektrickej siete predtým, než začnete prevádzkať jeho nastavenie, výmenu príslušenstva alebo údržbu. Toto opatrenie obmedzí nebezpečenstvo náhodného spustenia.
- ✿ Nepoužívané elektrické náradie uschovajte tak, aby bolo mimo dosahu detí a nepovolaných osôb. Elektrické náradie v rukách neskúsených užívateľov môže byť nebezpečné. Elektrické náradie skladujte na suchom a bezpečnom mieste.
- ✿ Starostlivo udržiavajte elektrické náradie v dobrom stave. Pravidelne kontrolujte nastavenie pohybujúcich sa častí a ich pohyblivosť. Kontrolujte či nedošlo k poškodeniu ochranných krytov alebo iných častí, ktoré môžu ohroziť bezpečnú funkciu elektrického náradia. Ak je náradie poškodené, pred ďalším použitím zaistite jeho opravu. Mnoho úrazov je spôsobených nesprávnou údržbou elektrického náradia.
- ✿ Rezacie nástroje udržiavajte ostré a čisté. Správne udržiavané a naostrené nástroje uľahčujú prácu, obmedzujú nebezpečenstvo úrazu a práca s nimi sa lepšie kontroluje. Použitie iného príslušenstva než toho, ktoré je uvedené v návode na obsluhu alebo doporučené dovozcom môže spôsobiť poškodenie náradia a byť príčinou úrazu.
- ✿ Elektrické náradie, príslušenstvo, pracovné nástroje atď. používajte v súlade s týmito pokynmi a takým spôsobom, ktorý je predpísaný pre konkrétne elektrické náradie a to s ohľadom na dané podmienky práce a druh prevádzanej práce. Používanie náradia na iné účely, než pre aké je určené, môže viesť k nebezpečným situáciám.

Servis

- ✿ Nevymieňajte časti náradia, neprevádzajte sami opravy, ani iným spôsobom nezasahujte do konštrukcie náradia. Opravy náradia zverte kvalifikovaným osobám.
- ✿ Každá oprava alebo úprava výrobku bez oprávnenia našej spoločnosti je neprípustná (môže spôsobiť úraz, alebo škodu užívateľovi).
- ✿ Elektrické náradie vždy nechajte opraviť v certifikovanom servisnom stredisku. Používajte iba originálne alebo doporučené náhradné diely. Zaisťte tak bezpečnosť Vás i Vášho náradia.

5. ZVLÁŠTNE BEZPEČNOSTNÉ POKYNY

⚠ POZOR! Pred použitím si prosím prečítajte tieto bezpečnostné pokyny a starostlivo ich uschovajte.

- ✿ V prípade nedodržania pokynov uvedených v tejto príručke hrozí riziko úrazu.
- ✿ Uhlová brúska zodpovedá platným technickým predpisom a normám.

Bezpečnostné upozornenia spoločné pre pracovné činnosti brúsenia, rovinné brúsenia, brúsenia drôteným kartáčom, leštenie alebo abrazívne rezanie

- ✿ Toto elektromechanické náradie je určené pre použitie ako brúska, rovinná brúska, brúska s drôteným kartáčom, leštička alebo rezacie náradie. Je potrebné čítať všetky bezpečnostné varovania, inštrukcie, ilustrácie a špecifikácie dané pre toto elektromechanické náradie. Nedodržanie všetkých nižšie uvedených pokynov môže mať za následok úraz elektrickým prúdom, požiar a/alebo vážne zranenia.
- ✿ Neodporúča sa prevádzka týmto náradím pracovné činnosti ako brúsenie, rovinné brúsenie, brúsenie drôteným kotúčom, leštenie alebo rezanie. Prevádzanie pracovných činností, pre ktoré nie je toto náradie určené, môže vytvoriť riziko a spôsobiť zranenie osoby.
- ✿ Nesmie sa používať príslušenstvo, ktoré nie je výslovne navrhnuté a doporučené výrobcom náradia. Už len skutočnosť, že príslušenstvo je možné pripojiť k vášmu náradiu, nezaručuje jeho bezpečnú prevádzku.
- ✿ Menovité otáčky príslušenstva musia byť aspoň rovné maximálnym otáčkam vyznačeným na náradí. Príslušenstvo, ktoré pracuje pri vyšších otáčkach, ako sú jeho menovité otáčky, sa môže rozlomiť a rozpadnúť.
- ✿ Vonkajší priemer a hrúbka príslušenstva musí byť v rozmedzí menovitého rozsahu pre dané elektromechanické náradie. Príslušenstvo nesprávnej veľkosti nemôže byť dostatočne chránené ani ovládané.

- ✿ Upínacie rozmery kotúčov, prírub, oporných podložiek alebo ostatného príslušenstva musia byť vhodné na upevnenie na vreteno náradia. Príslušenstvo s upínacími otvormi, ktoré nezodpovedajú montážnym rozmerom elektromechanického náradia, bude nevyvážené, môže nadmerne vibrovať a môže spôsobiť stratu kontroly.
- ✿ Nesmie sa používať poškodené príslušenstvo. Pred každým použitím sa musí skontrolovať príslušenstvo: u brúsnych kotúčov odštipnutia a praskliny, u oporných podložiek trhliny, roztrhnutia alebo nadmerné opotrebenie, u drôtených kartáčov uvoľnené alebo prasknuté drôty. Ak príslušenstvo alebo náradie spadlo, skontroluje sa poškodenie alebo sa namontuje nepoškodené príslušenstvo. Po skontrolovaní a namontovaní príslušenstva sa obsluha aj okolostojaci musia postaviť tak, aby sa nachádzali mimo roviny rotujúceho príslušenstva, a náradie sa nechá bežať pri najvyšších otáčkach naprázdno po dobu jednej minúty. Behom tejto skúšobnej doby sa poškodené príslušenstvo obvykle rozlomi alebo rozpadne.
- ✿ Musia sa použiť osobné ochranné pracovné prostriedky. V závislosti od použitia je potrebné použiť šťf tváre alebo bezpečnostné ochranné okuliare. V primeranom rozsahu je nutné použiť masku proti prachu, chrániče sluchu, rukavice a pracovnú zásteru, ktorá je schopná zadržať malé úlomky brusiva alebo obrobku. Ochrana očí musí byť schopná zadržať odlietajúce úlomky, ktoré vznikajú pri rôznych pracovných činnostiach. Prachová maska alebo respirátor musí byť schopný odfiltrovať častičky, ktoré vznikajú pri danej činnosti. Dlhotrvalé vystavenie hluku s vysokou intenzitou môže spôsobiť stratu sluchu.
- ✿ Okolostojaci musia zostať v bezpečnej vzdialenosti od pracovného priestoru. Každý, kto vstupuje do pracovného priestoru, musí používať osobné ochranné pracovné prostriedky. Úlomky obrobku alebo poškodeného príslušenstva môžu odlietať a spôsobiť zranenia aj mimo bezprostredného pracovného priestor.
- ✿ Pri prevádzaní činnosti, kde sa obrábací nástroj môže dotknúť skrytého vedenia alebo svojho vlastného prívodu, sa elektromechanické náradie musí držať len za izolované úchopové povrchy. Dotyk obrábacieho nástroja s „živým“ vodičom môže spôsobiť, že sa neizolované kovové časti elektromechanického náradia stanú „živými“ a môže to viesť k úrazu používateľa elektrickým prúdom.
- ✿ Pohyblivý prívod sa musí umiestniť mimo dosahu rotujúceho nástroja. Ak stratí obsluha kontrolu, môže dôjsť k prerezaniu alebo prebrúseniu pohyblivého prívodu, a ruka alebo paža obsluhy môže byť vtiahnutá do rotujúceho nástroja.
- ✿ Elektromechanické náradie sa nesmie nikdy odložiť, pokiaľ sa nástroj úplne nezastaví. Rotujúci nástroj sa môže zachytiť o povrch a vytrhnúť náradie z kontroly obsluhy.
- ✿ Elektromechanické náradie sa nikdy nesmie spúšťať počas prenášania na strane obsluhy. Rotujúci nástroj sa pri náhodnom dotyku sa môže zaháknuť za odev obsluhy a priblížiť sa k telu.
- ✿ Vetracie otvory náradia sa musia pravidelne čistiť. Ventilátor motoru vŕha prach dovnútra skrinky, a nadmerné nahromadenie kovového prachu môže spôsobiť elektrické nebezpečí.
- ✿ S elektromechanickým náradím sa nesmie pracovať v blízkosti horľavých materiálov. Mohlo by dôjsť k vznieteniu týchto materiálov od iskier.

- ✿ Toto elektromechanické náradie je určené pre použitie ako brúska, rovinná brúska, brúska s drôteným kartáčom, leštička alebo rezacie náradie. Je potrebné čítať všetky bezpečnostné varovania, inštrukcie, ilustrácie a špecifikácie dané pre toto elektromechanické náradie. Nedodržanie všetkých nižšie uvedených pokynov môže mať za následok úraz elektrickým prúdom, požiar a/alebo vážne zranenia.
- ✿ Neodporúča sa prevádzka týmto náradím pracovné činnosti ako brúsenie, rovinné brúsenie, brúsenie drôteným kotúčom, leštenie alebo rezanie. Prevádzanie pracovných činností, pre ktoré nie je toto náradie určené, môže vytvoriť riziko a spôsobiť zranenie osoby.
- ✿ Nesmie sa používať príslušenstvo, ktoré nie je výslovne navrhnuté a doporučené výrobcom náradia. Už len skutočnosť, že príslušenstvo je možné pripojiť k vášmu náradiu, nezaručuje jeho bezpečnú prevádzku.
- ✿ Menovité otáčky príslušenstva musia byť aspoň rovné maximálnym otáčkam vyznačeným na náradí. Príslušenstvo, ktoré pracuje pri vyšších otáčkach, ako sú jeho menovité otáčky, sa môže rozlomiť a rozpadnúť.
- ✿ Vonkajší priemer a hrúbka príslušenstva musí byť v rozmedzí menovitého rozsahu pre dané elektromechanické náradie. Príslušenstvo nesprávnej veľkosti nemôže byť dostatočne chránené ani ovládané.

Ďalšie bezpečnostné pokyny pre všetky pracovné činnosti Spätý ráz a súvisiace varovania

Spätý ráz je náhla reakcia na zovretie alebo zaseknutie rotujúceho kotúča, opornej podložky, kartáča alebo iného príslušenstva. Zovretie alebo zaseknutie spôsobí prudké zastavenie rotujúceho nástroja, ktoré následne spôsobí, že sa nekontrolované náradie pohybuje v smere opačnom k smeru otáčania nástroja v bode uviaznutia.

Spätý ráz je následkom nesprávneho používania elektromechanického náradia a/alebo nesprávnych pracovných postupov či podmienok a je možné mu zabrániť riadnym dodržaním nižšie popísaných bezpečnostných opatrení.

- ✿ Náradie je potrebné držať pevne a je potrebné udržiavať správnu polohu tela a paže tak, aby bolo možné odolať silám spätného rázu. Vždy sa musí použiť pomocná rukoväť, ak je náradie vybavené, kvôli maximálnej kontrole nad spätným rázom alebo reakčným krútiacim momentom pri uvedení stroja do chodu. Obsluha je schopná kontrolovať reakčné krútiace momenty a sily spätného rázu, ak sa dodržia správne bezpečnostné opatrenia. Ruka sa nikdy nesmie približovať k rotujúcemu nástroju. Nástroj môže spätným rázom odmrštiť ruku obsluhy.
- ✿ Nesmie sa stať v priestore, kam sa môže náradie dostať, ak dôjde k spätnému rázu. Spätý ráz vrhne náradie v smere opačnom k smeru pohybu kotúča v bode zaseknutia.
- ✿ Je potrebné venovať zvláštnu pozornosť opracovaniu rohov, ostrých hrán apod. Je potrebné predchádzať poskakovaniu a zaseknutiu nástroja. Rohy, ostré hrany alebo poskakovanie majú tendenciu zaseknúť rotujúci nástroj a spôsobí stratu kontroly alebo spätný ráz.

- * K náradiu sa nesmie pripojiť pílový reťazový rezbársky kotúč alebo pílový kotúč so zubmi. Tieto kotúče spôsobujú často spätný ráz a stratu kontroly

**Doplnkové bezpečnostné pokyny pre pracovné činnosti brúsenia a rezania
Bezpečnostné varovania špecifické pre pracovné činnosti brúsenia a
abrazívne rezanie:**

- * Používajú sa typy kotúčov, ktoré sú odporúčané pre toto elektromechanické náradie a špecifický ochranný kryt, ktorý je konštruovaný pre vybraný kotúč. Kotúče, pre ktoré nebolo elektromechanické náradie konštruované, nemôžu byť zodpovedajúcim spôsobom zakryté a sú nebezpečné.
- * Ochranný kryt musí byť bezpečne pripevnený k elektromechanickému náradiu a umiestnený pre maximálnu bezpečnosť tak, aby bola smerom k obsluhu odkrytá čo najmenšia časť kotúča. Ochranný kryt pomáha chrániť obsluhu pred úlomkami kotúča, náhodným dotykom s kotúčom a iskrami, ktoré môžu zapáliť oblečenie.
- * Kotúče sa musia používať len na odporúčané použitie. Napríklad: nie je dovolené brúsenie bočnou stranou rezacieho kotúča. Abrazívne rezacie kotúče sú určené pre obvodové rezanie, stranové sily pôsobiace na tieto kotúče by ich mohli roztriešťať.
- * Vždy sa musia používať nepoškodené príruby kotúča, ktoré majú pre zvolený kotúč správnu veľkosť a tvar. Správne príruby kotúča podpierajú kotúč a tým znižujú možnosť prasknutia kotúča. Príruby pre rezacie kotúče sa môžu líšiť od prírub pre brúsiaci kotúč.
- * Nesmú sa používať opotrebené kotúče pôvodne väčších rozmerov, ktoré sú určené pre väčšie elektromechanické náradie. Kotúče určené pre väčšie elektromechanické náradie nie sú vhodné pre väčšie otáčky menšieho náradia a môžu prasknúť.

**Doplnkové bezpečnostné pokyny pre rezanie
Doplnkové bezpečnostné varovania špecifické pre pracovné činnosti
abrazívneho rezania:**

- * Rezací kotúč sa nesmie zarážať do materiálu ani sa naň nesmie pôsobiť nadmerným tlakom. Nesmie sa vyvíjať snaha dosiahnuť nadmernú hĺbku rezu. Preťaženie kotúča zvyšuje zaťaženie a náhlynosť ku skrúteniu alebo zaseknutiu kotúča v reze a možnosť spätného rázu alebo prasknutie kotúča.
- * V priamke s rotujúcim kotúčom alebo za ním sa nestojí. V okamihu, keď sa kotúč v pracovnom bode pohybuje od tela obsluhy, možný spätný ráz môže vrhnúť pretáčajúci sa kotúč a elektromechanické náradie priamo na obsluhu.

- * Ak sa kotúč zasekne alebo sa rezanie z nejakého dôvodu preruší, elektromechanické náradie sa musí vypnúť a držať nehybne, pokiaľ sa kotúč úplne nezastaví. Obsluha sa nikdy nesmie pokúšať o vybranie rezacieho kotúča z rezu, ak je kotúč v pohybe, pretože môže dôjsť k spätnému rázu. Je potrebné preveriť situáciu a zjednať nápravu, aby sa vylúčilo zaseknutie kotúča.
- * Rezanie v obrobku sa nesmie znovu začať. Kotúč sa nechá dosiahnuť plných otáčok a opatrne sa znovu vnorí do rezu. Ak sa náradie znovu spustí s kotúčom vnoreným v reze, môže dôjsť k jeho zaseknutiu, vytlačení nahor, alebo k spätnému rázu.
- * Panely a iné veľké kusy obrobkov je potrebné podprieť, aby sa zmenšilo nebezpečenstvo zaseknutia kotúča a spätného rázu. Veľké obrobky majú tendenciu prehýbať sa vlastnou váhou. Podpery sa musia umiestniť pod obrobok blízko priamky rezu a v blízkosti hrán obrobku na oboch stranách kotúča.
- * Je potrebné venovať zvláštnu pozornosť pri prevádzaní „rezu do dutiny“ do existujúcich stien alebo iných slepých priestorov. Prenikajúci kotúč môže preraziť plynové alebo vodovodné potrubie, elektrické vedenie alebo predmety, ktoré môžu spôsobiť spätný vrh.

Doplnkové bezpečnostné pokyny pre pracovné činnosti rovinného brúsenia **Bezpečnostné varovania špecifické pre pracovné činnosti rovinného brúsenia:**

- * Pre brúsiaci tanier sa nepoužíva nadmerne veľký brúsny papier. Pri výbere brúsiaceho papiera je potrebné sa riadiť odporúčaním výrobcu. Veľký brúsny papier, ktorý presahuje cez brúsiacu dosku, predstavuje riziko roztrhnutia a môže spôsobiť zaseknutie, roztrhnutie kotúča alebo spätný ráz.

Doplnkové bezpečnostné pokyny pre pracovné činnosti leštenia **Bezpečnostné varovania špecifické pre pracovné činnosti leštenia:**

- * Žiadna uvoľnená časť leštiaceho návleku alebo jeho upevňovacie šnúrky sa nenechajú voľne točiť. Všetky uvoľnené upevňovacie šnúrky sa založia alebo odstihnú. Uvoľnené a rotujúce upevňovacie šnúrky sa môžu zamotať do prstov obsluhy alebo zaseknúť na obrobku.

Doplnkové bezpečnostné pokyny pre pracovné činnosti brúsenia s drôtovým kartáčom **Bezpečnostné varovania špecifické pre pracovné činnosti brúsenia s drôtovým kartáčom:**

- * Tento výrobok nie je určený na brúsenie drôtovým kartáčom
- * Aj pri bežnej činnosti dochádza k odhadzovaniu drôtových štetín z kartáča. Drôty sa nesmú preťažovať nadmerným zaťažením kartáča. Drôtené štetiny môžu ľahko preniknúť ľahkým odevom a/alebo kožou.
- * Ak je pre brúsenie drôtovým kartáčom odporúčané použitie ochranného krytu, zaistí sa, aby nedošlo k žiadnemu dotyku medzi drôtovým kotúčom alebo kartáčom a ochranným krytom. Drôtený kotúč alebo kartáč môže pri práci vplyvom zaťaženia a odstredivých síl zväčšovať svoj priemer.
- * Okrem brúsnych, rezných a diamantových kotúčov nepoužívajte iné príslušenstvo.
- * Nikdy nepoužívajte náradie bez ochranného krytu.
- * Používajte vždy ochranu zraku (ochranné okuliare resp. ochranný štít) a sluchu.
- * Nepoužívajte žiadne rezné a brúsne kotúče na bočné brúsenie.
- * Dbajte na to, aby počas prašnej práce boli vetracie otvory voľné.
- * Pri rezaní do stien skontrolujte, či sa v stenách nenachádza el. vedenie (detektorom na kov).
- * Brúsny kotúč nikdy neochladzujte vodou.
- * Nedoťkajte sa obruby po opracovaní, môže byť horúca.
- * Brúsku nikdy nepripevňujte k pracovnému stolu.
- * Presvedčte sa, že počet otáčok uvedený na brúsnom kotúči je vyšší ako počet otáčok uhlovej brúsky uvedenej na typovom štítku, alebo rovnaký.
- * Nerežte materiál, ktorý vyžaduje rez s maximálnou hĺbkou presahujúcou hĺbku brúsneho kotúča.
- * Nerežte a nebrúste ľahké kovy s obsahom horčika vyšším ako 80 %, pretože také kovy sú horľavé.
- * Dbajte na to, aby mal brúsny kotúč správne rozmery a bol na vretene správne upevnený.
- * S brúsnymi kotúčmi zaobchádzajte veľmi opatrne a v súlade s pokynmi, ktoré sú k brúsnemu kotúču priložené.
- * Pred každým použitím brúsny kotúč prezrite.
- * Nepoužívajte brúsne kotúče, ktoré sú popraskané alebo inak poškodené.

- ✿ Uistite sa, že brúsny kotúč je nasadený podľa pokynov.
- ✿ Po nasadení brúsneho kotúča nechajte brúsku bežať s otáčkami naprázdno na bezpečnom mieste. Ak brúska silno vibruje, alebo ak sú na brúsnom kotúči viditeľné poškodenia, okamžite brúsku vypnite a pokúste sa zistiť príčinu.
- ✿ Nepoužívajte redukcie alebo iné pomocné diely na nasadenie brúsnych kotúčov pre odlišný priemer vretena.
- ✿ Dbajte na to, aby bol materiál riadne podopretý alebo upevnený.
- ✿ Nikdy nepoužívajte rezný kotúč na odstránenie ostrín.
- ✿ Dbajte na to, aby iskry nemohli nikoho zasiahnuť, a aby nemohli zapáliť horľavé látky.
- ✿ S brúskou nepracujte, ak niekto stojí v línii brúsneho kotúča. Zaisťte, aby bol pracovný priestor okolo vás čistý.
- ✿ Zaisťovacie tlačidlo kotúča (3) stlačte iba vtedy, ak sa motor a vreteno brúsky už úplne zastavili!
- ✿ Pamätajte na to, že brúsny kotúč sa po vypnutí brúsky bude zotrvačnosťou ešte chvíľu dotáčať.
- ✿ Vždy používajte pomocnú rukoväť, ktorá je dodávaná s náradím.
- ✿ Strata kontroly nad el. náradím môže spôsobiť poranenie.

⚠ POZOR! Používajte ochranné prostriedky proti hluku, prachu a vibráciám!!!

⚠ POZOR! TIETO BEZPEČNOSTNÉ POKYNY USCHOVAJTE !!!

6. POUŽITIE A PREVÁDZKA

- ✿ Táto uhlová brúska je určená len na domáce alebo hobby použitie.
- ✿ Výrobca a dovozca neodporúčajú používať toto náradie v extrémnych podmienkach a pri vysokom zaťažení.
- ✿ Akékoľvek ďalšie doplňujúce požiadavky musia byť predmetom dohody medzi výrobcou a odberateľom.
- ✿ S využitím vhodných kotúčov je brúska určená na rezanie, brúsenie, hrubovanie a leštenie kovov, kameňa a keramických materiálov.
- ✿ Náradie a príslušenstvo používajte výhradne na stanovené účely použitia, viď pokyny výrobcu náradia.
- ✿ Akékoľvek iné použitie náradia je prísne zakázané.

Nasadenie postrannej rukoväti (Obrázok B)

- ✿ Postrannú rukoväť (2) upevnite v jednom z montážnych otvorov.

Ako pripevniť a odobrať ochranný kryt (Obrázok C)

- ✿ Uvoľnite skrutku upínacej svorky krytu (7).
- ✿ Nasadte ochranný kryt (5) podľa obrázku (C) a skrutku pevne utiahnite.
- ✿ Ochranný kryt odoberte obráteným postupom.

⚠ POZOR! Brúsku nikdy nepoužívajte bez ochranného krytu.

Ako nasadiť a odobrať brusný kotúč (Obrázok D,E,F)

⚠ POZOR! Pred nasadením alebo odobraťím brúsneho kotúča vždy vytiahnite privodný kábel brúsky zo zásuvky.

- ✿ Položte brúsku na stôl vretenom nahor.
- ✿ Pripevnite ochranný kryt (5) podľa pokynov uvedených vyššie.
- ✿ Na vreteno (4) nasadte podložku (8).
- ✿ Na podložku nasadte brúsny kotúč (9).
- ✿ Na vreteno naskrutkujte uťahovaciu matku (10).
- ✿ Stlačte zaisťovacie tlačidlo (3) a krížovým skrutkovačom pevne dotiahnite uťahovaciu matku (10). V prípade použitia brúsneho kotúča utiahnite uťahovaciu maticu (10) vodiacim výstupkom nadol (E1).
- ✿ V prípade použitia rezného kotúča utiahnite uťahovaciu maticu (10) vodiacim výstupkom nahor (E2).

⚠ POZOR! Zaisťovacie tlačidlo vretena (3) stlačte iba vtedy, keď sa motor a vreteno brúsky už zastavili a sú v pokoji!

- ✿ Zaisťovacie tlačidlo vretena (3) musíte pridržavať stlačené po celý čas, čo kotúč vymieňate.
- ✿ Uvoľnite zaisťovacie tlačidlo.
- ✿ Brúsny kotúč zložte opačným postupom.

Zapnutie a vypnutie (Obrázok G)

- ✿ Brúsku zapnite posunutím vypínača (1) do polohy „I“
- ✿ Posunutím vypínača (1) do polohy „0“ sa brúska vypne.

7. POKYNY PRE PRÁCU S BRÚSKOU

- ✿ Optimálny uhol kotúča voči obrobku je 150°.
- ✿ Zachovávajúte čo najväčší odstup medzi kotúčom a pracovníkom.
- ✿ Na brúsku ťlačte iba miernym tlakom, nezaťažujte brúsku z boku. Sledujte smer otáčania kotúča a dávajte pozor na lietajúce iskry.
- ✿ Zabráňte pádu obrábaného kusu.
- ✿ Ak priemer kotúča činí menej než 80 mm, kotúč vymeňte.

8. ČISTENIE A ÚDRŽBA

- ✿ Pred čistením a údržbou vždy vytiahnite prírodný kábel náradia zo zásuvky.
- ✿ Vaše náradie nepotrebuje žiadne dodatočné mazanie alebo údržbu. Nie sú v ňom žiadne vami opraviteľné časti.
- ✿ Nikdy nepoužívajte vodu alebo chemické čistiadlá na čistenie vášho náradia. Utrite ho suchou tkaninou.
- ✿ Udržujte otvory ventilátora motora čisté.
- ✿ Ak zbadáte v priestore motora veľmi slabé iskrenie, je vaše náradie v poriadku. Pri zvýšenom iskrení sa jedná o poruchu na motore.
- ✿ Nikdy nečistite žiadnu časť náradia tvrdým, ostrým alebo drsným predmetom.

Kontrola a výmena uhlíkov

- ✿ Uhlíky je nutné pravidelne kontrolovať.
- ✿ V prípade opotrebenia vymeňte oba uhlíky súčasne. Pripevnite držiaky uhlíkov.
- ✿ Po pripevnení nových uhlíkov nechajte brúsku bežať 5 minút bez záťaže.
- ✿ Používajte výhradne uhlíky správneho typu.

Uskladnenie pri dlhodobejšom nepoužívaní

- ✿ Náradie neskladujte na mieste, kde je vysoká teplota.
- ✿ Pokiaľ je to možné, skladujte zariadenie na mieste so stálou teplotou a vlhkosťou.

9. TIPY NA PREVÁDZKU A ÚDRŽBU

- ✿ Náradie, príslušenstvo a návod na obsluhu skladujte v originálnom obale, tak budete mať vždy k dispozícii všetky potrebné diely aj informácie.
- ✿ Brúska je prakticky bezúdržbová, jediným úkonom je pravidelné utretie krytu brúsky vlhkou handričkou. Bráňte kontaktu brúsky s vlhkosťou a vodou. Dodržujte pokyny uvedené v tomto návode na obsluhu.

11. TECHNICKÉ ÚDAJE

Napájanie.....	230V~ / 50Hz
Príkon.....	1400W
Otáčky.....	4000 -8600 ot./min
Trieda ochrany.....	II
Priemer kotúča.....	Ø 150 mm
Závit vretena.....	M 14
Dĺžka napájacieho kábla.....	1,8 m
LpA: (akustický tlak).....	93.9 dB(A)
LwA: (akustický výkon).....	104.9 dB (A)
úroveň vibrácií.....	ch.D1 = 7.008 ms ⁻² , K = 1.5 ms ⁻²

Návod na použitie – len jazyková mutácia.

Zmena textu a technických parametrov vyhradená.

Zmeny v texte, dizajne a technických špecifikáciách sa môžu meniť bez predchádzajúceho upozornenia a vyhradujeme si právo na ich zmenu.

Riešenie problémov

Predpokladané poruchy majú často príčiny, ktoré užívateľ zvládne vyriešiť vlastnými silami. Skúste preto výrobok zkontrolovať s použitím tejto sekcie. Vo väčšine prípadov je možné problém rýchle odstrániť.

UPOZORNENIE !

Vykonaвайте iba kroky popísané v tomto návode! V prípade, že nie ste schopní problém vyriešiť sami, potom akékoľvek ďalšie kontroly, údržby a opravy musia byť vykonávané autorizovaným servisným centrom alebo odborníkom s obdobnou kvalifikáciou!

Problém	Možná príčina	Riešenie
1. Produkt sa nespustí	1.1 Nezapojený do elektrickej siete 1.2 Chybný napájací kábel alebo zástrčka 1.3 Iná závada elektrického napájania	1.1 Zapojte do elektrickej siete 1.2 Nechajte zkontrolovať elektrikárom 1.3 Nechajte zkontrolovať elektrikárom
2. Produkt nedosiaha hneď plného výkonu	2.1 Predĺžovací kábel nie je vhodný na prevádzku s týmto produktom. 2.2 Zdroj napájania (napr. generátor) má príliš nízke napätie 2.3 Vetracie priechody sú blokované	2.1 Používajte náležitý predĺžovací kábel 2.2 Zapojte do iného zdroja napájania 2.3 Vyčistite vetracie priechody
3. Neuspokojivý výsledok	3.1 Kotúč je opotrebený /poškodený 3.2 Kotúč nie je vhodný pre materiál určený k obrábaniu	3.1 Vymeňte za nový 3.2 Používajte náležitý kotúč
4. Nadmerné vibrácie alebo hluk	4.1 Kotúč je opotrebený /poškodený 4.2 Skrutky/matice sú uvoľnené	4.1 Vymeňte za nový 4.2 Utiahnite skrutky /matice

11. LIKVIDÁCIA

POKYNY A INFORMÁCIE O ZAOBCHÁDZANÍ S POUŽITÝM OBALOM

Použitý obalový materiál odložte na miesto určené obcou na ukladanie odpadu.

LIKVIDÁCIA POUŽITÝCH ELEKTRICKÝCH A ELEKTRONICKÝCH ZARIADENÍ



Tento symbol na produktoch alebo v sprievodných dokumentoch znamená, že použité elektrické a elektronické výrobky sa nesmú pridávať do bežného komunálneho odpadu. Na správnu likvidáciu, obnovu a recykláciu odovzdajte tieto výrobky na určené zberné miesta. V niektorých krajinách Európskej únie alebo iných európskych krajinách môžete vrátiť svoje výrobky miestnemu predajcovi pri kúpe ekvivalentného nového produktu. Správnu likvidáciu tohto produktu pomôžete zachovať cenné prírodné zdroje a napomáhate prevencii potenciálnych negatívnych dopadov na životné prostredie a ľudské zdravie, čo by mohlo byť dôsledkom nesprávnej likvidácie odpadov. Ďalšie podrobnosti si vyžiadajte od miestneho úradu alebo najbližšieho zberného miesta. Pri nesprávnej likvidácii tohto druhu odpadu môžu byť v súlade s národnými predpismi udelené pokuty.

Pre podnikové subjekty v krajinách Európskej únie

Ak chcete likvidovať elektrické a elektronické zariadenia, vyžiadajte si potrebné informácie od svojho predajcu alebo dodávateľa.

Likvidácia v ostatných krajinách mimo Európskej únie

Tento symbol je platný v Európskej únii. Ak chcete tento výrobok zlikvidovať, vyžiadajte si potrebné informácie o správnom spôsobe likvidácie od miestnych úradov alebo od svojho predajcu.

Tento výrobok spĺňa všetky základné požiadavky smerníc EÚ, ktoré sa naň vzťahujú.



Zmeny v texte, dizajne a technických špecifikáciách sa môžu meniť bez predchádzajúceho upozornenia a vyhradzuje si právo na ich zmenu.

Elektromos szögcsiszoló

HASZNÁLATI ÚTMUTATÓ

Köszönjük, hogy cégünk elektromos szögcsiszolójának megvásárlása mellett döntött. Mielőtt használatba venné, kérjük, olvassa el figyelmesen ezt a használati útmutatót, majd őrizze meg, hogy később bármikor újraolvashassa.

TARTALOM

1. ÁLTALÁNOS BIZTONSÁGI RENDELKEZÉSEK	61
2. SZIMBÓLUMOK	62
3. A GÉP BEMUTATÁSA ÉS A CSOMAGOLÁS TARTALMA	63
4. ÁLTALÁNOS BIZTONSÁGI UTASÍTÁSOK	63
5. KÜLÖNLEGES BIZTONSÁGI RENDELKEZÉSEK	67
6. HASZNÁLAT	74
7. MUNKAVÉGZÉS A CSISZOLÓGÉPPEL	75
8. TISZTÍTÁS ÉS KARBANTARTÁS	75
9. ÜZEMELTETÉSI ÉS KARBANTARTÁSI TIPPEK	76
10. MŰSZAKI ADATOK	77
11. MEGSEMMISÍTÉS	79

1. ÁLTALÁNOS BIZTONSÁGI ELŐÍRÁSOK

⚠ FIGYELEM! Használat előtt olvassa el figyelmesen a használati útmutatót.

Fontos biztonsági figyelmeztetések

- ☼ Figyelmesen csomagolja ki a terméket, és ügyeljen arra, hogy ne dobja ki a csomagolás semelyik részét mindaddig, amíg meg nem találta a termék valamennyi alkotóelemét.
- ☼ A terméket száraz helyen, gyermekektől távol tartsa.
- ☼ Olvassa el az összes figyelmeztetést és utasítást. A figyelmeztetések be nem tartás áramütéshez, tűzhoz és/vagy súlyos sérülésekhez vezethet.

Csomagolás

A csomagolóanyag szállítás közben óvja a terméket. Ez a csomagolás nyersanyag, ezért újrahasznosítás céljával leadható.

Használati útmutató

Mielőtt megkezdené a munkavégzést a készülékkel, olvassa el figyelmesen a következő biztonsági és használati utasításokat. Ismerkedjen meg a gép kezelőszerveivel, és a helyes használat szabályaival. A használati útmutató őrizze meg egy esetleges későbbi újraolvasáshoz. A csomagolóanyagot, beleértve a belső csomagolóanyagot, a pénztárblokkot és a jótállási jegyet is, ajánlott legalább a jótállás érvényessége alatt megőrizni. Szállítás esetén csomagolja vissza a készüléket a gyártótól kapott eredeti dobozba, így biztosíthatja a termék esetleges szállítás közbeni maximális védelmét (pl. költözés vagy szervizbe küldés).

📖 Megjegyzés: Amennyiben a készüléket más személyeknek kívánja átadni, mellékelje a használati útmutatót is. A mellékelt használati útmutató betartása a sövénynyíró előírás szerű használatának előfeltétele. A használati útmutató egyben használati, kezelési és javítási utasításokat is tartalmaz.

A gyártó nem felel a jelen használati útmutató be nem tartása következtében felmerült sérülésekért vagy károkért.

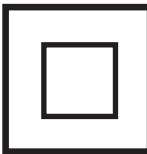
2. SZIMBÓLUMOK



A gép a jóváhagyott szabványokkal összhangban került legyártásra.



A gép használatba vétele előtt olvassa el a használati útmutatót.



Dupla szigetelés.



Célszerszám menet.



Használjon szemvédőt.



Használjunk védőfelszerelést fül

3. A GÉP BEMUTATÁSA ÉS A CSOMAGOLÁS TARTALMA

A gép bemutatása (lásd az 1. képet)

- | | |
|------------------------|---------------------------|
| 1 - Főkapcsoló | 7 - Védőburok csavarja |
| 2 - Oldalsó markolat | 8 - Alátét |
| 3 - Korongrögzítő gomb | 9 - Csiszoló korong (lap) |
| 4 - Orsó | 10 - Csavaranya |
| 5 - Védőburkolat | 11 - Behúzókulcs |
| 6 - Szekrény | |

A csomagolás tartalma

Emelje ki óvatosan a gépet a csomagolásból, és ellenőrizze le, hogy az alább ismertetett részek mindegyike megtalálható benne:

- ✿ Csiszológép
- ✿ Oldalsó markolat
- ✿ Maghúzó anyák
- ✿ Maghúzó kulcs
- ✿ Tárcsaburkolat
- ✿ Használati útmutató

Abban az esetben, ha bizonyos részek hiányoznak, vagy sérültek, forduljon a gép eladójához.

4. ÁLTALÁNOS BIZTONSÁGI UTASÍTÁSOK

A következő biztonsági utasításokat figyelmesen olvassa el, jegyezze meg és őrizze meg.

⚠ Figyelmeztetés! Az elektromos gépek és szerszámok használata esetén fontos respektálni és betartani a következő biztonsági utasításokat az elektromos áram által okozott balesetek, személyi sérülések és a tűz keletkezése veszélyének meggátolásának szempontjából. Az „elektromos szerszámok” kifelyezés magába foglalja nemcsak az elektromos áram által táplált (kábelen keresztül), de az akumlátorból táplált szerszámokat is (kábel nélkül). Őrizze meg a figyelmeztetéseket és utasításokat a jövőbeni használathoz.

Munkavégzési terület

- ✿ A munkavégzési területet tartsa tisztán és jól megvilágítva. A rendetlenség és a nem megfelelő megvilágítás gyakran a balesetek okozói. Rakja el a szerszámokat, amelyeket éppen nem használ.

- ✿ Ne használjon elektromos szerszámokat olyan környezetben, ahol tűz vagy robbanásveszély állhat fenn, tehát olyan helyeken, ahol gyúlékony folyadékok, gázok vagy porok találhatóak. Az elektromos szerszámokban szikrák keletkeznek, melyek előidézhetik a porok és gőzök gyulladását. Gondoskodjon arról, hogy az állatok ne férjenek hozzá a szerszámhoz.
- ✿ Az elektromos szerszámok használatakor akadályozzák meg az illetéktelen személyek, főleg a gyerekek bejárását a munkavégzési területre. Ha zavarva vannak a munka közben, elveszthetik a kontrollt a munkatevékenység felett. Semmi esetre se hagyja az elektromos szerszámokat felügyelet nélkül.

Biztonsági utasítások elektr. árammal való munkavégzéskor

- ✿ Az elektromos szerszám kábelének hálózati csatlakozójának meg kell felelnie az aljzattal. Soha semmilyen körülmények között ne hajtsanak végre módosításokat az elektromos kábelben. Olyan szerszámra, amely elektromos csatlakozója védőérintkezővel van ellátva, soha ne használjunk elosztót, sem egyéb adaptert.. A sértetlen hálózati csatlakozók és a megfelelő aljzatok csökkentik az elektromos áram által okozott sérülés veszélyét. A sérült vagy összegubancolt kábelek növelik az elektromos áram által okozott sérülések veszélyét. Abban az esetben, ha a hálózati kábel megsérül, ezt cseréljük speciális hálózati kábelre, amelyet a gyártónál, illetve ennek üzleti képviselőjénél szerezhet be.
- ✿ Óvakodjanak a testrészek érintkezésétől a földelt területtel, például a csővezetékek, központi fűtőtestek, gáztűzhelyek és hűtőszekrények esetében. Az elektromos áram által okozott sérülések veszélye nagyobb, ha az Ön teste érintkezésben áll a földdel.
- ✿ Az elektromos szerszámokat ne tegye ki az eső, pára és víz hatásainak. Az elektromos szerszámokhoz sose nyúljunk vizes kézzel. Sose mossa folyóvíz alatt vagy ne mártsa be víz alá az elektromos szerszámokat.
- ✿ Sose használja az elektromos kábelt más célokra, mint ami a rendeltetése. Soha ne húzzák vagy hordozzák az elektromos szerszámokat az elektromos kábelük által. Sose a kábelon keresztül húzzák ki az elektromos szerszám hálózati csatlakozóját az aljzattól. A csatlakozódugót ne húzzuk a kábelnél fogva. Ügyeljünk, hogy az elektromos csatlakozókábelt ne sértsük meg éles, sem forró tárgyal.
- ✿ Az elektromos szerszámok kizárólag váltóárammal való működésre voltak kigyártva. Mindig ellenőrizze le, hogy a hálózati feszültség megfelel-e a szerszámon levő címkén feltüntetett adatokkal.
- ✿ Sose dolgozzunk olyan szerszámmal amelynek sérült az elektromos kábele, vagy a hálózati csatlakozója, netán leesett vagy másképpen van megsérülve.
- ✿ Hosszabbító kábel használata esetén mindig ellenőrizze, hogy annak műszaki paraméterei megfelelnek-e a szerszám ismertető címkéjén feltüntetett adatoknak. Amennyiben az elektromos szerszámot a szabadban használja, alkalmazzon olyan hosszabbító kábelt, amely alkalmas a szabadban való használatra. Hosszabbító dobok használata esetén tekerje le azokat, hogy megelőzze azok túlmelegedését.

- ✿ Amennyiben az elektromos szerszámot nedves környezetben vagy a szabadban használja, csak akkor szabad használni azt, ha az 30 mA-es túláramvédelemmel ellátott áramkörbe van bekötve. /RCD/ védelemmel ellátott áramkör használata csökkenti az áramütés veszélyét.
- ✿ Az elektromos kézi szerszámot kizárólag a megmarkolásra kialakított szigetelt felületeken tartsa, mivel működés közben a vágó- vagy fúrószerszám rejtett vezetékkel vagy saját kábelével érintkezhet.

Személyek biztonsága

- ✿ Az elektromos szerszámok használatakor legyenek figyelmesek, maximálisan figyeljenek oda a végzett tevékenységre, amit éppen végrehajtanak. Öszpontosítsanak a munkára. Sose dolgozzanak elektromos szerszámokkal ha fáradtak, kábítószert, alkohol vagy gyógyszerek hatása alatt vannak. Egy pillanatnyi figyelmetlenség az elektromos szerszámok használatakor komoly sérüléseket is okozhat. Az elektromos szerszámok használata közben ne egyenek, ne igyanak és ne dohányozzanak.
- ✿ Használjanak munkavédelmi eszközöket. Mindig használjanak szemvédőt. Használjon olyan munkavédelmi eszközöket amelyek megfelelnek az adott munkának. A munkavédelmi eszközök, mint pl. a respirátor, biztonsági lábbeli csúszásgátló talpazattal, fejtámla vagy hallásvédő, a munkafeltételekhez való alkalmazáshoz csökkentik a személyek sérülésének veszélyét.
- ✿ Óvakodjanak a nem szándékos elektromos szerszámok beindításától. Ne helyezzenek át szerszámot úgy, hogy feszültség alatt van és melynek be-, kikapcsolóján rajtatartják az ujjukat. A hálózatba való kapcsolás előtt győződjenek meg arról, hogy a be-, kikapcsoló a „kikapcsolt” helyzetben van. A szerszámok áthelyezése vagy hálózati aljzatba való helyezése melyeknek be-, kikapcsolóján rajtatartják az ujjukat, vagy a be-, kikapcsolójuk a „bekapcsolt” helyzetben van a balesetek okozójává válhat.
- ✿ A szerszámok bekapcsolása előtt távolítsa el az összes beállítókulcsot és eszközöket.
- ✿ Mindíg egyensúlyban és stabil állásban dolgozzon. Csak ott dolgozzon, ahova biztosan elér. Sose becsülje túl az erejét és saját képességeit. Ha fáradt, ne használja az elektromos szerszámokat.
- ✿ Öltözködjön megfelelő módon. Használjon munkaruhát. Munkavégzőskor ne hordjon bő öltözetet és ékszereket. Ügyeljen arra, hogy az Ön haja, ruhája, kesztyűje vagy más testrésze ne kerüljön közvetlen közelbe az elektromos szerszámok rotációs vagy felforrósodott részeihez.
- ✿ Kapcsolja az elektromos berendezést a porelszívóhoz. Ha a berendezés rendelkezik porelszívó vagy porfelfogó csatlakozóval, győződjenek meg arról hogy a porelszívó berendezés megfelelően van-e csatlakoztatva, ill. használva. Az ilyen berendezések használata meggátolhatja a por által keletkezett veszélyt.
- ✿ A munkadarabot erősen rögzítse. A megmunkálendő munkadarab rögzítse használjon asztalos szorítót vagy satut.
- ✿ Ne használjon semmilyen szerszámot, ha alkohol, drog, gyógyszer vagy más kábító-, függőséget okozó anyagok hatása alatt áll.

- ✿ A berendezést nem kezelhetik olyan személyek (gyerekeket is beleértve), akik csökkentett testi, értelmi vagy mentális képességekkel rendelkeznek, vagy akiknek nincs megfelelő tapasztalatuk és vonatkozó tudásuk, csak abban az esetben, ha a megfelelő felügyelet biztosított, illetve a berendezés működtetéséhez megkapták a szükséges utasításokat a biztonságukért felelő személytől. A gyerekeknek felügyelet alatt kell lenniük, hogy a berendezéssel ne játszhasanak.

Az elektromos szerszámok használata és karbantartása:

- ✿ Az elektromos szerszámot bármilyen munkában előfordult probléma, tisztítás vagy karbantartás, tisztítás vagy karbantartás előtt, ill. minden áthelyezés esetén vagy használaton kívül mindig kapcsolja le az elektromos hálózatról! Soha ne dolgozzon az elektromos szerszámmal, ha bármilyen módon megsérült.
- ✿ Ha a szerszám furcsa hangot vagy bűzt bocsát ki, azonnal fejezze be a munkát.
- ✿ Ne terhelje túl az elektromos szerszámot. Az elektromos szerszám jobban és biztonságosabban fog dolgozni, ha olyan fordulatszám van vele dolgova amelyre tervezték. Az adott munkára a megfelelő szerszámot használja. A megfelelő szerszám jól és biztonságosan fog dolgozni abban a munkában amire gyártották.
- ✿ Ne használjon elektromos szerszámot, amelyet nem lehet biztonságosan be- és kikapcsolni a be-, kikapcsolóval. Az ilyen szerszám használata veszélyes. A hibás kapcsolót meg kell javítani az arra szakosodott szervizben.
- ✿ Az elektromos szerszámot kapcsolja le a hálózatról még mielőtt módosítaná a beállításait, tartozékainak cseréjével vagy karbantartásával. Ez az intézkedés korlátozza a véletlenszerű beindítás veszélyét.
- ✿ A használaton kívüli elektromos szerszámot tárolja olyan helyen, amihez nem tudnak hozzáférni sem gyerekek, sem illetéktelen személyek. Az elektromos szerszámok a tapasztalatlan felhasználók kezében veszélyesek lehetnek. Az elektromos szerszámokat száraz és biztonságos helyen tárolja.
- ✿ Az elektromos szerszámokat tartsa jó állapotban. Rendszeresen ellenőrizze a szerszámok mozgó részeinek a mozgóképességét. Ellenőrizze, hogy nem történt-e sérülés a biztonsági burkolaton, vagy más részein, amelyek veszélyeztethetik az elektromos szerszámok biztonságos működését. Ha a szerszám megsérült, a további használat előtt biztosítsák be a javítását. Sok baleset okozója az elektromos szerszámok helytelen karbantartása.
- ✿ A vágó szerszámokat tartsák élesen és tisztán. A helyesen karbantartott és kiélesített szerszámok megkönnyítik a munkát, korlátozzák a baleset veszélyét és jobban ellenőrizhető a velük való munka. Más kellék használata, mint amely a használati utasításban van feltüntetve az importőr által a szerszám meghibásodását idézheti elő és baleset okozója lehet.
- ✿ Az elektromos szerszámokat, kellékeket, munkaeszközöket, stb. használja ezen utasítások alapján és oly módon, amely elő van írva a konkrét elektromos szerszámokra, figyelembevéve az adott munkafeltételeket és az adott típusú munkát. A szerszámok használata más célokra, mint amelyekre gyártva voltak veszélyes helyzetekhez vezethet.

Szerviz

- ✿ Ne cseréljék az egyes szerszámok részeit, ne végezzenek el maguk javításokat, más módon se nyúljanak bele a szerszámokba. A berendezések javítását bízzuk szakképzett személyekre.
- ✿ A termék mindennemű javítása vagy módosítása a mi vállalatunk beleegyezése nélkül nem engedélyezett (balesetet idézhet elő, vagy kárt okozhat a felhasználónak).
- ✿ Az elektromos szerszámokat mindig certifikált szervizben javíttassuk. Csak eredeti vagy ajánlott pótalkatrészeket használjanak. Ezzel garantálja Ön és szerszáma biztonságát.

5. KÜLÖNLEGES BIZTONSÁGI RENDELKEZÉSEK

- ⚠ **FIGYELEM!** Kérjük, használat előtt olvassa el figyelmesen az alábbi biztonsági utasításokat, és őrizze meg őket.
- ✿ Ez a jelzés balesetveszélyre, vagy a készülék megsérülésének kockázatára figyelmeztet.
- ✿ A jelen használati útmutatóban ismertetett utasítások be nem tartása esetén balesetveszély kockázata áll fenn.

Közös biztonsági előírások csiszolás, síkköszörülés, drótkéfés csiszolás és tisztítás, polírozás vagy abrazív vágás jellegű megmunkálásokhoz

- ✿ A jelen elektromechanikus kéziszerszámmal csiszolási, síkköszörülési, drótkéfés csiszolási, polírozási vagy vágási munkák végezhetőek. Az elektromechanikus kéziszerszám használatba vétele előtt figyelmesen olvassa el az összes utasítást, nézze meg az ábrákat, és ismerkedjék meg a gép specifikációjával. Az alábbi biztonsági és használati utasítások be nem tartása áramütéshez, tűzhez és/vagy súlyos sérüléshez vezethet.
- ✿ A készüléket nem ajánljuk csiszolási, síkköszörülési, drótkéfés csiszolási, polírozási vagy vágási munkák végrehajtását. A rendeltetéstől eltérő használat különböző kockázatokat rejt magában, és súlyos személyi sérülésekhez is vezethet.
- ✿ Ne használjon olyan tartozékokat, amelyeket a gyártó ehhez a kéziszerszámhoz nem irányzott elő és nem javasolt. A tartozék felszerelhetősége még nem jelenti azt, hogy az biztonságosan üzemeltethető a jelen kéziszerszámmal.
- ✿ A betétszerszám megengedett fordulatszámának legalább akkorának kell lennie, mint az elektromos kéziszerszámon megadott legnagyobb fordulatszám. A megengedettnél gyorsabban forgó betétszerszámok széttörhetnek és szétrepülhetnek.
- ✿ A betétszerszámok külső átmérője és vastagsága nem lehet nagyobb, mint az elektromechanikus kéziszerszám műszaki adatai között megadott maximális átmérő és vastagság. A nem megfelelő méretű betétszerszámokat nem lehet megfelelően eltakarni vagy irányítani.
- ✿ A tárcsáknak, karimás alátéteknek, menesztőknek, vagy más tartozékoknak pontosan rá kell illeszkedniük a kéziszerszám orsójára. Az olyan betétszerszámok és tartozékok, amelyeknek a szerelési méretei nem felelnek meg az elektromechanikus kéziszerszám orsóméretének, kiegyensúlyozatlanok lesznek, berezegnek, és a gép feletti uralom elvesztéshez vezethetnek.
- ✿ Sérült betétszerszámokat használni tilos! Minden használatba vétel előtt ellenőrizze le, hogy nem pattogzott-e le és nem repedt-e meg a csiszolókorong, nincs-e eltörve, megrepedve vagy nagymértékben elhasználódva a csiszoló tányér, nincsenek-e a drótkéfében kilazult vagy eltörött drótok. Ha a kéziszerszám vagy a betétszerszám leesett, vizsgálja meg, hogy nem rongálódott-e meg, illetve használjon hibátlan betétszerszámot. Miután ellenőrizte, majd behelyezte a készülékbe a betétszerszámot, tartózkodjon Ön és minden más közelben található személy a forgó betétszerszám síkján kívül, majd járassa egy percig terhelés nélkül a kéziszerszámot a legnagyobb fordulatszámmal. A megrongálódott betétszerszámok a próbafuttatás alatt általában már széttörnek.

- ✿ Használjon egyéni védőeszközöket. A munka jellegétől függően használjon arcvédő maszkot vagy védőszemüveget. Amennyiben célszerű, viseljen porvédő álarcot, zajtompító fülvédőt, védőkesztyűt vagy munkakötényt, amely megvédi a testét az elrepülő csiszolószerszám- és anyagrészekektől. A szemvédőnek biztonsággal kell védeni a szemet a megmunkálás közben keletkező szemcsékkel szemben. A porszűrő maszk (vagy respirátor) legyen képes kiszűrni a levegőből a megmunkálás közben keletkező szemcséket. Ha hosszú ideig erős zaj hatásának van kitéve, akkor halláskárosodás érheti.
- ✿ A környezetében található egyéb személyeket tartsa biztonságos távolságban a munkahelytől. Minden olyan személynek, aki belép a munkaterületre, személyi védőfelszerelést kell viselnie. A munkadarab letört részei vagy a széttört betétszerszámok kirepülhetnek, és a közvetlen munkaterületen kívül is személyi sérülést okozhatnak.
- ✿ Az elektromechanikus kéziszerszámot csak a szigetelt fogantyúfelületeknél fogja meg, ha olyan munkákat végez, amelyek során a betétszerszám kívülről nem látható, feszültség alatt álló vezetékeket vághat át. Ha a betétszerszám egy feszültség alatt álló vezetékekhez ér, az elektromechanikus kéziszerszám fémrészei szintén feszültség alá kerülnek, ami áramütést okozhat.
- ✿ Tartsa távol a hálózati vezetéket a forgó betétszerszámoktól. Ha elveszíti az uralmát a kéziszerszám felett, az átvághatja, vagy bekaphatja a hálózati vezetéket, és az Ön keze vagy karja is a forgó betétszerszámhoz érhet.
- ✿ Amíg a betétszerszám forgása teljesen le nem áll, az elektromechanikus kéziszerszámot ne helyezze le. A forgásban lévő betétszerszám megérintheti a támasztó felületet, ami a kéziszerszám megdobását eredményezheti.
- ✿ Ne járassa az elektromechanikus kéziszerszámot, miközben azt más helyre viszi át. A forgó betétszerszám elkaphatja és felfekezheti a munkaruhát.
- ✿ A kéziszerszám szellőzőnyílásait tartsa tisztán. A motorventilátor beszívja a levegőben található port, és amennyiben az sok fémport tartalmaz, akkor a lerakódások zárlatot okozhatnak.
- ✿ Az elektromechanikus kéziszerszámot robbanásveszélyes környezetben vagy gyúlékony anyagok mellett ne használja. A szikrák ezeket az anyagokat meggyújtják.
- ✿ Ne használjon olyan betétszerszámokat, amelyek alkalmazásához folyékony hűtőanyagra van szükség. Víz vagy más hűtőfolyadék használata balesethez vagy akár halálos áramütéshez is vezethet.

További biztonsági utasítások az üzemeltetéshez

A visszarúgás és az ehhez kapcsolódó figyelmeztetések

A visszarúgás a beékelődő vagy leblokkoló forgó betétszerszám, például csiszolótárcsa, csiszolótányér, drótkefe vagy más szerszám hirtelen reakciója. A beékelődés vagy leblokkolás a forgó betétszerszám hirtelen leállításához vezet. Ez az irányítatlan kéziszerszámot, a betétszerszámnak a leblokkolási pontban fennálló forgási irányával ellenkező irányba gyorsítja fel.

A visszarúgás az elektromechanikus kéziszerszám hibás és/vagy helytelen használatának a következménye. Ezt az alábbiakban felsorolt óvatossági intézkedések betartásával lehet megakadályozni.

- ✿ Fogja erősen a kéziszerszámot, a testét és a karjait tartsa olyan helyzetben, hogy a visszarúgó erőknek ellent tudjon állni. Ha a kéziszerszámhoz pótfogantyú is tartozik, akkor ezt szerelje fel a kéziszerszámmra. A munka közben ezt a pótfogantyút is fogja meg, hogy a lehető legjobban reagálni tudjon a visszarúgó erők és reakciós nyomatók hatásaira. A kezelő személy megfelelő óvatossági intézkedésekkel uralkodni tud a visszarúgási és reakcióerők felett.
- ✿ A kezével ne közelítsen a forgó betétszerszám felé. A betétszerszám visszarúgás esetén a kezéhez érhet.
- ✿ Kerülje el a testével azt a tartományt, ahová egy visszarúgás a kéziszerszámot mozgatja. A visszarúgás a kéziszerszámot a tárcsának a leblokkolási pontban fennálló forgásirányával ellentétes irányba hajítja el.
- ✿ A sarkok és élek közelében különösen óvatosan dolgozzon. Előzze meg a betétszerszám ugrálását a munkadarabon, valamint a betétszerszám leblokkolását. A forgó betétszerszám a sarkoknál és éleknél, valamint lepattanás esetén könnyen beékelődik. Ez a kéziszerszám feletti uralom elvesztéséhez vagy visszarúgáshoz vezethet.
- ✿ A csiszolófa fűrészelő fűrész tárcsát vagy fogazott fűrész tárcsákat ne erősítsen fel. Az ilyen betétszerszámok használata visszarúgáshoz vezethet, illetve elveszítheti az uralmát a kéziszerszám felett.

Kiegészítő biztonsági utasítások csiszoláshoz és vágáshoz

Biztonsági utasítások csiszoláshoz és vágótárcsával való daraboláshoz

- ✿ Csak a gyártó által ajánlott tárcsátípusokat, és az adott tárcsátípushoz kifejlesztett védőburkolatokat használja a csiszológépen. Ha olyan tárcsát szerel fel a kéziszerszámmra, amelynek a használatára a gép nem alkalmas, a géphez tartozó védőburkolatok nem nyújtanak megfelelő védelmet, az ilyen tárcsák alkalmazása veszélyes lehet.

- ✿ A védőburkolatot biztonságosan és megfelelő helyzetben kell felerősíteni, hogy maximális védelmet nyújtson a kéziszerszám használójának. A védőburkolat megvédi a kéziszerszám használóját a tárcsa véletlen megérintésétől, az elrepülő forgácsoktól és szikráktól (amelyek a munkaruha gyulladását is okozhatják).
- ✿ A tárcsák csak a rendeltetésüknek megfelelő célokra használhatók. Például: a vágókorong oldalrészét csiszoláshoz nem szabad használni. A vágókorongok arra vannak méretezve, hogy az anyagot a korong élével lemunkálják, a korongra ható oldalirányú erők hatására a korong szétförhet.
- ✿ Csak hibátlan, az alkalmazott tárcsának megfelelő méretű és alakú karimás alátétet használjon. A megfelelő karimás alátét megtámasztja a csiszolótárcsát, és így csökkenti a csiszolótárcsa eltörésének a veszélyét. A vágótárcsák és a csiszolótárcsák belső támasztó peremei eltérhetnek egymástól.
- ✿ Ne használjon nagyobb elektromos kéziszerszámokhoz tartozó, elhasználdott csiszoló szerszámokat. A nagyobb elektromos kéziszerszámokhoz készült csiszolótárcsák nincsenek a kisebb elektromos kéziszerszámok magasabb fordulatszámához méretezve, ezért használat közben szétförhetnek.

Kiegészítő biztonsági utasítások vágási munkákhoz

Kiegészítő biztonsági utasítások abrazív vágási munkákhoz

- ✿ A tárcsát a munkadarabba „beütögetni” tilos, továbbá a betétszerszámot nem szabad nagy erővel a munkadarabnak nyomni. Nem szabad nagy nyomással mély vágást végezni. A vágótárcsa nagy erővel való nyomása vagy erőltetése a tárcsa beszorulását, elrepedését, vagy szétrobbanását, illetve a kéziszerszám visszarúgását okozhatja.
- ✿ Ne álljon a tárcsa vágási síkjába. Amennyiben a vágótárcsa véletlenül beszorul a vágási hézagba, akkor az elektromechanikus kéziszerszám visszarúgása a vágási síkban történik.

Amennyiben a tárcsa beszorul vagy elakad, akkor az elektromechanikus kéziszerszámot azonnal kapcsolja ki, és azt tartsa erősen abban a helyzetben, ahogy a gép elakadt, és addig ne mozdítsa el más irányba, amíg a tárcsa teljesen le nem fékeződik. Elakadáskor a kéziszerszámot ne próbálja kihúzni a vágási hézagból, mert amíg a tárcsa forog, a tárcsa beszorulhat és visszarúgást okozhat. Keresse meg a tárcsa elakadás okát, és tegyen intézkedéseket az elakadás megelőzésére.

- ✿ Amennyiben a vágótárcsa áll, azt a vágási hézagba bedugni majd a kéziszerszámot bekapcsolni tilos. A kéziszerszámot a munkadarabon kívül kapcsolja be, várja meg a fordulatszám felfutását, majd a tárcsával folytassa a vágási munkát. Amennyiben a lefékeződött tárcsát a vágási hézagban indítja el, akkor a tárcsa valószínűleg elakad, és a kéziszerszámot ellenkező irányban kilöki a munkadarabból.

- ✿ A nagyméretű lapokat a vágás megkezdése előtt megfelelő módon támassza alá és fogja be. A nagyméretű lapok a saját súlyuk hatására meggörbülnek. A nagyobb lapokat és lemezeket a vágási él közelében, vagy a megmunkálási élek és szélek mellett, lehetőleg két oldalról kell megtámasztani és rögzíteni.
- ✿ Ha olyan helyen végez vágási munkát, ahol nem tudja mi van a felület alatt, akkor legyen nagyon óvatos. A tárcsa elvághatja a gáz- és vízvezetéket, valamint az elektromos kábeleket, továbbá az elakadó tárcsa a kéziszerszámot kilöki a vágási élből.

Kiegészítő biztonsági utasítások síkcsiszoláshoz

Biztonsági utasítások a síkcsiszolási munkákhoz

- ✿ Ne használjon túl nagy méretű csiszolópapírokat a csiszoló tányérokon. A csiszolópapír kiválasztásához vegye figyelembe a gyártó előírásait. A csiszoló tányéron túlnyúló nagy méretű csiszolópapír elakadhat, elszakadhat, és a kéziszerszám visszarúgását okozhatja.

Kiegészítő biztonsági utasítások polírozáshoz

Biztonsági utasítások polírozási munkákhoz

- ✿ A polírozó tárcsán nem lehetnek laza vagy szabad részek, a rögzítő zsinórt kösse meg. A kilógó szálat és zsinórt dugja a sapka alá vagy vágja le. A forgó és kilógó anyagok (pl. zsinór) feltekerhetnek a gépkezelő ujjára vagy a munkadarab kiálló részeire.

Kiegészítő biztonsági utasítások drótkéffel történő csiszoláshoz

Biztonsági utasítások drótkéffel történő csiszolási munkákhoz

- ✿ Ezt a készüléket nem lehet drótkéféss csiszolási munkákhoz használni
- ✿ Vegye figyelembe, hogy a drótkéfeből normális használat közben is kirepülnek a drótdarabok. A drótkéfé ne terhelje túl a szerszám erős nyomásával. A kirepülő drótdarabok könnyedén áthatolnak a vékonyabb ruhán és/vagy az emberi bőrön.
- ✿ Amennyiben a drótkefe használatához ajánlott a védőburkolat felszerelése, akkor ügyeljen arra, hogy a drótkefe szálai ne érjenek hozzá a védőburkolathoz. A drótkefe külső átmérője a gépre gyakorolt nagyobb nyomás, valamint a centrifugális erők hatására megnövekedhet.
- ✿ A csiszoló, vágó és gyémántkorongok kivételével semmilyen más tartozékot ne használjon.
- ✿ Soha ne használja a szerszámot a biztonsági védőburkolat nélkül.

- ✿ Minden esetben használjon szemvédőt (védőszemüveget, illetve arcpajzsot), valamint fülvédőt.
- ✿ Soha ne használjon semmilyen vágó vagy csiszolókorongot oldalcsiszolásra.
- ✿ Ügyeljen arra, hogy a porral járó munkák során a szellőző nyílások szabadok maradjanak.
- ✿ Falba vágáskor ellenőrizze le, hogy a falban nem található elektromos vezeték (fémérzékelővel).
- ✿ Soha ne hűtse a csiszolókorongot vízzel.
- ✿ A megmunkálást követően ne érjen hozzá a karimához, mivel az forró lehet.
- ✿ Soha ne rögzítse hozzá a csiszológépet a munkaasztalhoz.
- ✿ Ellenőrizze le, hogy a csiszolókorongon feltüntetett fordulatszám értéke nagyobb, vagy azonos, mint a szögcsiszoló gyári adattábláján szereplő fordulatszám értéke.
- ✿ Ne vágjon olyan anyagot, amely a csiszolókorong vágási mélységét meghaladó vágási mélységet igényel.
- ✿ Ne vágjon és ne csiszoljon 80%-nál magasabb magnézium tartalmú könnyűfémeket, mivel azok tűzveszélyesek
- ✿ Ügyeljen arra, hogy a csiszolókorong megfelelő méretekkel rendelkezzen, és helyesen legyen az orsóra rögzítve.
- ✿ A csiszolókorongokkal óvatosan és a csiszolókoronghoz mellékelt használati útmutató szerint járjon el.
- ✿ A csiszolókorong állapotát minden használat előtt szemrevételezéssel ellenőrizze.
- ✿ Ne használjon megrepedt vagy más módon sérült csiszolókorongokat.
- ✿ Ellenőrizze le, hogy a csiszolókorong az utasításoknak megfelelően került felhelyezésre.
- ✿ A csiszolókorong felhelyezését követően biztonságos helyen üresjáratra állítva ellenőrizze le a készülék működését. Ha a csiszológép erősen rezeg, vagy a csiszolókorongon sérülések nyomai láthatók, haladéktalanul kapcsolja ki a készüléket, és derítse ki a problémák okát.
- ✿ A csiszolókorongok más orsóátmérőre történő felhelyezéséhez soha ne használjon szűkítőt.
- ✿ Ügyeljen arra, hogy a munkadarab megfelelően alá legyen támasztva vagy be legyen fogva.
- ✿ Soha ne használja a vágókorongot sorjátlanításhoz.
- ✿ Ügyeljen arra, hogy a szikrák senkit ne érhessenek el, és ne okozhassanak tüzet.
- ✿ Ne dolgozzon a csiszológéppel, ha valaki a csiszolókoronggal egy vonalban áll. Biztosítsa, hogy a munkaterület tiszta legyen.
- ✿ A korong rögzítő gombját (3) kizárólag akkor nyomja le, ha a motor és a csiszolókorong orsója teljesen leálltak!
- ✿ Ne feledje, hogy a csiszológép kikapcsolását követően a csiszolókorong egy ideig még forog.
- ✿ Minden esetben használja a szerszámhoz mellékelt segédmarkolatot.
- ✿ Az elektromos szerszám feletti ellenőrzés elvesztése személyi sérülést okozhat.

⚠ FIGYELEM! Használjon zajjal, porral és rezgéssel szemben védő személyi segédeszközöket!!!

⚠ FIGYELEM! ŐRIZZE MEG A BIZTONSÁGI RENDELKEZÉSEKET!!!

6 HASZNÁLAT

- ✿ Ez a szögcsiszoló kizárólag otthoni vagy hobbi használatra alkalmas.
- ✿ A gyártó és az importőr nem javasolják a szerszám extrém körülmények vagy maximális terhelés melletti használatát.
- ✿ Bármilyen kiegészítő követelmény a gyártó és a vevő közötti megállapodást tárgyát képezi.
- ✿ Megfelelő tárcsák használata esetén a csiszológép vágásra, fényezésre, durvításra és fémek, kő, valamint kerámia anyagok csiszolására alkalmas.
- ✿ A szerszámot és tartozékait kizárólag a rendeltetésüknek megfelelően használja, lásd a szerszám gyártójának utasításait.
- ✿ A szerszám mindennemű nem rendeltetészerű használata szigorúan tilos.

Az oldalmarkolat felhelyezése (B ábra)

- ✿ Rögzítse az oldalmarkolatot (2) az egyik szerelőnyílásba.

A védőburkolat rögzítése és leemelése (C ábra)

- ✿ Oldja meg a burkolat rögzítő csavarját (7).
- ✿ Helyezze fel a védőburkolatot (5) a képen (C) látható módon, majd húzza meg erősen a csavart.
- ✿ Fordított irányú lépéssorral vegye le a védőburkolatot.

⚠ FIGYELEM! A csiszológépet soha ne használja védőburkolat nélkül.

A csiszolókorong felhelyezése és eltávolítása (D,E,F ábra)

⚠ FIGYELEM! A csiszolókorong felhelyezése vagy eltávolítása előtt minden esetben húzza ki a csiszológép csatlakozókábelét a dugaljból.

- ✿ Helyezze a csiszológépet orsóval felfelé az asztalra.
- ✿ Rögzítse a helyére a védőburkolatot (5) a fent olvasható utasításoknak megfelelően.
- ✿ Illesszen az orsóra (4) az alátétet (8).
- ✿ Helyezze az alátétre a csiszolókorongot (9).
- ✿ Csavarozza az orsóra a meghúzó anyát (10).
- ✿ Nyomja meg a rögzítő gombot (3), majd a Phillips csavarhúzó segítségével húzza meg erősen az anyát (10). Csiszolókorong használata esetén a rögzítő anyát (10) a vezető kitüremkedéssel (E1) lefelé húzza meg.
- ✿ Vágókorong használata esetén a rögzítő anyát (10) a vezető kitüremkedéssel (E2) felfelé húzza meg.

⚠ FIGYELEM! Az orsórögzítő gombot (3) kizárólag akkor nyomja meg, ha a motor és az orsó már leálltak, és nyugalmi állapotban vannak!

- ✿ Az orsrögzítő gombot (3) a korongcsere során tartsa végig lenyomva. Engedje el a rögzítő gombot. A csiszolókorong cseréjéhez az egyes lépéseket fordított sorrendben alkalmazza.

A készülék be- és kikapcsolása (G ábra)

- ✿ A csiszológépet a főkapcsoló (1) „I” állásba tolva kapcsolja be.
- ✿ A főkapcsolót „0” állásba tolva a készüléket kikapcsolja.

7. MUNKAVÉGZÉS A CSISZOLÓGÉPPEL

- ✿ A tárcsa és a munkadarab által bezárt optimális szög 150°.
- ✿ Biztosítsa a lehető legnagyobb távolságot a tárcsa és a dolgozó között.
- ✿ A csiszolóra csak enyhe nyomást fejtsen ki, ne terhelje oldalról. Ügyeljen a tárcsa forgásirányára, valamint a repkedő szikrákra.
- ✿ Ügyeljen arra, hogy a munkadarab ne essen le.
- ✿ Ha a tárcsa átmérője nem éri el a 80 mm-t, cserélje ki.

8. TISZTÍTÁS ÉS KARBANTARTÁS

- ✿ Tisztítás és karbantartás előtt minden esetben húzza ki a tápkábelt a dugaljából.
- ✿ A szerszám semmilyen kenést, karbantartást nem igényel. Semmilyen javítható alkatrészt nem tartalmaz.
- ✿ Soha ne használjon a szerszám tisztításához vizet se vegyi tisztítószereket.
- ✿ Száraz szövettel törölgesse meg.
- ✿ Tartsa tisztán a motor ventillátorának szellőző nyílásait. Ha a motortérben gyenge szikrázást tapasztal, a szerszám rendben van. Intenzív szikrázás esetén a motor meg lehet hibásodva.
- ✿ Soha ne tisztítsa a szerszám semelyik részét kemény, éles vagy durva tárggyal.

A szénkefék ellenőrzése és cseréje

- ✿ A szénkefék rendszeres ellenőrzésére van szükség.
- ✿ Elkopás esetén mindkét szénkefét egyszerre cserélje ki. Rögzítse a helyükre a szénkefe tartókat.
- ✿ Az új szénkefék telepítését követően hagyja a szerszámot 5 percig üresjáraton működni.
- ✿ Kizárólag megfelelő típusú szénkefákat használjon.

Tárolás hosszabb üzemszünet esetén

- ✿ A szerszámot ne tárolja túlságosan meleg helyen.
- ✿ Lehetőség szerint a készüléket állandó hőmérsékletű és páratartalmú helyen tárolja.

9. ÜZEMELTETÉSI ÉS KARBANTARTÁSI TIPPEK

- ✿ A szerszámot, annak tartozékait és a használati útmutatót az eredeti csomagolásban tárolja, így mindig kéznél lesz az összes szükséges tartozék és információ.
- ✿ A körfűrész gyakorlatilag karbantartást nem igényel, az egyedüli feladatot a készülék időnkénti nedves ruhadarabbal történő áttörése jelenti. Ügyeljen arra, hogy a körfűrész ne érintkezzen vízzel. Tartsa be a jelen használati útmutató tartalmazta rendelkezéseket.

10.MŰSZAKI ADATOK

Tápfeszültség	230V~ / 50Hz
Bemenő teljesítmény.....	1400W
Fordulatszám.....	4000 - 8600 ford./perc
Védelmi osztály.....	II
Tárcsaátmérő	Ø 150 mm
Orsómenet	M 14
Csatlakozókábel hossza	1,8 m
LpA: (hangnyomás).....	93.9 dB(A)
LwA: (hangteljesítmény).....	104.9 dB (A)
rezgésszint.....	ah.D1 = 7.008 ms ⁻² , K = 1.5 ms ⁻²

Használati útmutató - nyelvi változat.

A szöveg és műszaki paraméterek változtatásának joga fenntartva.

A szöveg, kivétel és műszaki specifikációk előzetes figyelmeztetés nélkül változhatnak

és a változtatások joga

fenntartva.

Hibakeresés

A feltételezett hibás működés elhárítása általában megoldható a használó által. Ennek érdekében kérjük, olvassa el az alábbi megoldási javaslatokat. A legtöbb esetben a probléma elhárítása gyorsan történik.

FIGYELEM!

Csak az alábbiakban részletezett műveleteket végezze el! Ha ezek alapján nem tudja elhárítani a problémát, bármiféle további ellenőrzés, karbantartás, javítás csak az arra felhatalmazott szervizben, illetve képzett szakember által történhet!

Probléma	Feltételezett ok	Megoldás
1. A készülék nem kapcsolható be	1.1 Nem csatlakozik hálózati áramforráshoz 1.2 A tápkábel, illetve csatlakozó sérült 1.3 Elektromos meghibásodás	1.1 Csatlakoztassa a készüléket elektromos hálózathoz 1.2 Javíttassa meg a tápkábelt, illetve a csatlakozót villanyszerelővel 1.3 Ellenőriztesse, illetve javíttassa meg a készüléket szakemberrel
2. A készülék nem üzemeltethető nagy teljesítménnyel	2.1 A hosszabbító kábel nem megfelelő a készülék üzemeltetéséhez 2.2 Az áramforrás (pl. generátor) alacsony feszültséget biztosít 2.3 A szellőzőnyílások eltömődtek	2.1 Használjon megfelelő hosszabbító kábelt 2.2 Csatlakoztassa a készüléket megfelelő áramforráshoz 2.3 Tisztítsa meg a szellőzőnyílásokat
3. Nem kielégítő eredmény	3.1 A malomkő veszteség /sérült 3.2 A malomkő nem megfelelő a munkadarab anyagához	3.1 Cserélje ki a malomkő 3.2 Használjon megfelelő malomkő
4. Erős vibráció, illetve zaj	4.1 A malomkő veszteség /sérült 4.2 A rögzítés kiengedett, laza	4.1 Cserélje ki a malomkő 4.2 szorítsa meg a rögzítést

11. MEGSEMMISÍTÉS

UTASÍTÁSOK ÉS TÁJÉKOZTATÓ A HASZNÁLT CSOMAGOLÓANYAG KEZELÉSÉRŐL.

A használt csomagolóanyagot helyezze a község által erre a célra kijelölt hulladékgyűjtőbe.

A HASZNÁLT ELEKTROMOS ÉS ELEKTRONIKUS BERENDEZÉSEK LIKVIDÁLÁSA



A termékeken vagy a kísérő dokumentumokban levő jel azt jelzi, hogy a használt elektromos és elektronikus termékeket tilos a megszokott települési hulladékba rakni. A megfelelő likvidálás, felújítás vagy újrahaznosítás céljával adja át ezen termékeket a kijelölt gyűjtőhelyre. Az EK némely országában vagy más európai országokban alternatív módon a terméket visszaviheti az értékesítőnek, akitől a terméket megvásárolta egy új, ekvivalens termék vásárlása esetén. Ezen termék megfelelő likvidálásával hozzásegíti az értékes természeti kincsek megőrzéséhez és segíti a környezetre és emberi egészségre gyakorolt potenciális negatív hatások megelőzését, ami a helytelen hulladék likvidálás következménye lehet. A további részleteket a helyi hivatalban vagy a legközelebbi gyűjtőhelyen kaphat. Az ilyen jellegű hulladék helytelen likvidálása a nemzeti előírásoknak megfelelően bírsággal sújtható.

Az Európai Közösség országaiban működő cégek részére

Ha elektromos vagy elektronikus berendezéseket kíván likvidálni, kérje ki a szükséges információkat az kereskedelmi képviselőjénél vagy az áru értékesítőjénél.

Likvidálás az Európai Közösségen kívüli országokban

Ez a jel az Európai Közösségen belül érvényes. Ha ezen terméket kívánja likvidálni, a megfelelő likvidálást illetően kérje a tájékoztatást a helyi hivatalokban vagy áru értékesítőjénél.



Ezen termék megfelel az EK szabványok alapvető követelményeinek, amelyek a terméket érintik.

A szöveg, formatervezés és műszaki specifikációk változása megengedett előzetes figyelmeztetés nélkül és fenntartjuk magunknak a jogot azok módosítására.

Kątowa szlifierka elektryczna

INSTRUKCJA OBSŁUGI

Dziękujemy za dokonanie zakupu kątowej szlifierki elektrycznej. Przed rozpoczęciem użytkowania należy dokładnie zapoznać się z treścią niniejszej instrukcji obsługi i zachować ją na przyszłość.

SPIS TREŚCI

1. OGÓLNE PRZEPISY BEZPIECZEŃSTWA	81
2. SYMBOLE	83
3. OPIS URZĄDZENIA I ZAWARTOŚCI OPAKOWANIA	84
4. OGÓLNE ZALECENIA BEZPIECZEŃSTWA	84
5. SZCZEGÓLNE ZALECENIA DOTYCZĄCE BEZPIECZEŃSTWA	89
6. ZASTOSOWANIE I EKSPLOATACJA	95
7. ZALECENIA DOTYCZĄCE PRACYZ UŻYCIEM SZLIFIERKI	97
8. KONSERWACJA	97
9. ZALECENIA EKSPLOATACYJNE I KONSERWACYJNE	98
10. DANE TECHNICZNE	99
11. LIKWIDACJA	101

1. OGÓLNE PRZEPISY BEZPIECZEŃSTWA

⚠ UWAGA! Przed użyciem należy uważnie przeczytać instrukcję użytkownika.

Ważne uwagi dotyczące bezpieczeństwa

- ✿ Produkt należy starannie rozpakować, należy zwrócić uwagę na wyjęcie z opakowania wszystkich części produktu.
- ✿ Produkt należy przechowywać w miejscu suchym, zabezpieczyć przed dostępem dzieci.
- ✿ Przczytać wszelkie uwagi i instrukcje. Zaniedbania w stosunku do uwag i instrukcji mogą być powodem urazu, pożaru i/lub ciężkiego zranienia.

Opakowanie

Produkt jest zapakowany do opakowania chroniącego go przed uszkodzeniem w czasie transportu. Opakowanie jest surowcem wtórnym i należy poddać je recyklingowi.

Instrukcja obsługi

Przed rozpoczęciem korzystania z urządzenia należy zapoznać się z poniższymi przepisami bezpieczeństwa i instrukcją obsługi. Należy zapoznać się z elementami obsługi i właściwym korzystaniem z urządzenia. Instrukcje należy przechowywać w celu późniejszego z niej korzystania. Przez okres trwania gwarancji zaleca się przechowanie oryginalnego opakowania wraz z materiałami opakunkowymi, dokument zakupu i kartę gwarancyjną. Przechowanie opakowania ułatwi w przyszłości ewentualny transport urządzenia (przeprowadzka, odesłanie do naprawy).

📖 Uwaga: Jeżeli nastąpi przekazanie urządzenia innym użytkownikom, należy przekazać również instrukcję obsługi. Stosowanie się do zaleceń zawartych w instrukcji zapewni właściwe użytkowanie urządzenia. Instrukcja obsługi zawiera również instrukcje konserwacji urządzenia i napraw.

Producent nie ponosi odpowiedzialności za wypadki lub szkody powstałe w wyniku nie stosowania się do niniejszej instrukcji obsługi.

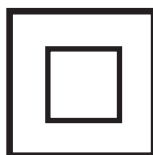
2. SYMBOLE



Niniejszy produkt został wyprodukowany zgodnie z obowiązującymi normami.



Przed uruchomieniem urządzenia należy dokładnie zapoznać się z instrukcją obsługi.



Podwójna izolacja.



Gwint przyrządu.



Należy stosować środki ochrony oczu



Srzęć ochronny dla uszu

3. OPIS URZĄDZENIA I ZAWARTOŚCI OPAKOWANIA

Opis pilarki (patrz: ilustracja 1)

- | | |
|-----------------------------------|----------------------------|
| 1 - Przełącznik | 7 - Śruba pokrywy ochronne |
| 2 - Uchwyt boczny | 8 - Pralka |
| 3 - Przycisk zabezpieczenia dysku | 9 - Kamień szlifierski |
| 4 - Wrzeciono | 10 - Matka dokręcania |
| 5 - Pokrywa ochronna | 11 - Klucz dokręcania |
| 6 - Płaszcz | |

Zawartość opakowania

Urządzenie należy ostrożnie wyjąć z opakowania i sprawdzić, czy opakowanie zawiera wszystkie elementy:

- ✿ Szlifierka
- ✿ Uchwyt boczny
- ✿ Nakrętki mocujące
- ✿ Klucz
- ✿ Osłona tarczy
- ✿ Instrukcja obsługi

W razie braku lub uszkodzenia elementów, należy zwrócić się do punktu sprzedaży, w którym urządzenie zostało zakupione.

4. OGÓLNE ZALECENIA BEZPIECZEŃSTWA

Prosimy uważnie przeczytać poniższe zalecenia bezpieczeństwa, zapamiętać je i zachować na przyszłość

- ⚠ OSTRZEŻENIE!** Przy korzystaniu z maszyn elektrycznych i elektronarzędzi trzeba przestrzegać i dotrzymywać następujących zaleceń bezpieczeństwa ze względu na zabezpieczenie przed możliwym porażeniem prądem elektrycznym, zranieniem ludzi i niebezpieczeństwem powstania pożaru. Pojęcie „elektonarzędzie” odnosi się we wszystkich niżej podanych zaleceniach zarówno do elektronarzędzi zasilanych z sieci (przewodem zasilającym), jak i narzędzi zasilanych z akumulatora (bez przewodu zasilającego). Wszystkie ostrzeżenia i zalecenia należy przechować do ewentualnego wykorzystania w przyszłości.

Środowisko pracy

- ✿ Miejsce pracy należy utrzymywać w czystości i zapewnić w nim dobre oświetlenie. Nieporządek i niewystarczające oświetlenie miejsca pracy mogą stać się przyczyną wypadku. Porządkujemy narzędzia, z których nie korzystamy w danej chwili.
- ✿ Nie korzystamy z elektronarzędzi w środowisku zagrożonym niebezpieczeństwem powstania pożaru albo wybuchu, to znaczy w miejscach, w których występują ciecze palne, gazy albo pyły. W elektronarzędziu na komutatorze powstaje iskrzenie, które może spowodować zapłon pyłów albo oparów.
- ✿ Przy korzystaniu z elektronarzędzi ograniczamy dostęp niepowołanych osób, a szczególnie dzieci do przestrzeni roboczej! Jeżeli będziecie rozpraszani, możecie stracić kontrolę nad wykonywaną czynnością. W żadnym razie nie pozostawiamy elektronarzędzi bez nadzoru. Uniemożliwiamy dostęp zwierząt do tych urządzeń.

Bezpieczeństwo elektryczne

- ✿ Wtyczka przewodu zasilającego elektronarzędzia musi pasować do gniazdka sieciowego. Nigdy i w żaden sposób nie przerabiamy konstrukcji wtyczki. Do zasilania narzędzia, które ma we wtyczce przewodu zasilającego styk ochronny (bolec), nigdy nie stosujemy rozgałęźników, ani innych elementów przejściowych. Nieuszkodzona wtyczka i odpowiednie gniazdko ograniczają niebezpieczeństwo porażenia prądem elektrycznym. Uszkodzone albo poplątane przewody zasilające zwiększają niebezpieczeństwo porażenia prądem elektrycznym. Jeżeli przewód sieciowy jest uszkodzony, to trzeba go wymienić na nowy przewód sieciowy, który można zakupić w autoryzowanym ośrodku serwisowym albo u importera.
- ✿ Wystrzegamy się dotykania ciałem do uziemionych przedmiotów takich, jak na przykład rurociągi, grzejniki centralnego ogrzewania, kuchenki i lodówki. Niebezpieczeństwo porażenia prądem elektrycznym jest większe, jeżeli nasze ciało jest połączone z ziemią.
- ✿ Nie narażamy elektronarzędzi na działanie deszczu, wilgoci albo mokrego środowiska. Elektronarzędzi nigdy nie dotykamy mokrymi rękami. Elektronarzędzi nigdy nie myjemy pod bieżącą wodą, ani nie zanurzamy do wody.
- ✿ Przewodu zasilającego nie używamy do innego celu, niż ten, do którego jest przeznaczony. Nigdy nie nosimy i nie ciągniemy elektronarzędzi za przewód zasilający. Nie wyciągamy wtyczki z gniazdka przez pociągnięcie za przewód. Chronimy przewody elektryczne przed uszkodzeniami mechanicznymi spowodowanymi przez ostre albo gorące przedmioty.
- ✿ Elektronarzędzie zostało wykonane wyłącznie do zasilania prądem przemiennym elektrycznym. Zawsze sprawdzamy, czy napięcie elektryczne w sieci odpowiada danym zamieszczonym na tabliczce znamionowej narzędzia.
- ✿ Nigdy nie pracujemy z narzędziem, które ma uszkodzony przewód elektryczny albo wtyczkę, ewentualnie upadło na ziemię i jest uszkodzone w jakikolwiek inny sposób.

- ✿ W przypadku zastosowania przedłużacza zawsze sprawdzamy, czy jego parametry techniczne odpowiadają danym zamieszczonym na tabliczce znamionowej narzędzia. Jeżeli elektronarzędzie jest wykorzystywane na zewnątrz, trzeba stosować przedłużacz przystosowany do użytku zewnętrznego. Przy zastosowaniu przedłużacza zwijanego na szpuli, trzeba go rozwinąć, aby nie doszło do przegrzania przewodu.
- ✿ Jeżeli elektronarzędzie ma być wykorzystywane w pomieszczeniu wilgotnym albo na zewnątrz, to można z niego korzystać tylko, jeżeli jest podłączone do obwodu elektrycznego z wyłącznikiem różnicowoprądowym ≤ 30 mA.. Korzystanie z obwodu elektrycznego z wyłącznikiem różnicowoprądowym /RCD/ zmniejsza zagrożenie porażenia prądem elektrycznym.
- ✿ Ręczne elektronarzędzia trzymamy wyłącznie za izolowane uchwyty przeznaczone do ich trzymania, ponieważ przy pracy może dojść do kontaktu narzędzia tnącego albo wierzącego z niewidocznym przewodem albo z przewodem zasilającym nasze narzędzie.

Bezpieczeństwo osób

- ✿ Przy korzystaniu z elektronarzędzi musimy być ostrożni i przewidujący, poświęcić maksymalną uwagę czynności, którą właśnie wykonujemy. Koncentrujemy się na swojej pracy. Nie pracujemy z elektronarzędziem, jeżeli jesteśmy zmęczeni albo jesteśmy pod wpływem narkotyków, alkoholu albo lekarstw. Nawet chwilowa nieuwaga przy korzystaniu z elektronarzędzi może spowodować poważny wypadek z udziałem osób. Przy pracy z elektronarzędziem nie wolno jeść, pić i palić tytoniu.
- ✿ Korzystamy ze środków ochronnych. Zawsze korzystamy ze środków do ochrony oczu. Stosujemy środki ochronne odpowiadające rodzajowi pracy, którą wykonujemy. Środki ochronne, jak na przykład respirator, obuwie bezpieczeństwa z zabezpieczeniem przeciwpoślizgowym, nakrycie głowy albo ochrona słuchu stosowane zgodnie z warunkami pracy zmniejszają ryzyko wypadku z udziałem osób.
- ✿ Wstrzegamy się niekontrolowanego włączenia narzędzia. Nie przenosimy narzędzia, które jest włączone do sieci elektrycznej, z palcem na wyłączniku albo na przycisku do włączania. Przed podłączeniem do napięcia elektrycznego sprawdzamy, czy wyłącznik albo przycisk są w położeniu „wyłącz”. Przenoszenie narzędzia z palcem na wyłączniku albo z włączoną wtyczką narzędzia do gniazdka przy włączonym wyłączniku w instalacji może być przyczyną poważnego wypadku.
- ✿ Przed włączeniem narzędzia usuwamy wszystkie klucze i przyrządy służące do regulacji. Klucz do regulacji albo inny przyrząd, który będzie pozostawiony przymocowany do obracającej się części elektronarzędzia może spowodować obrażenia u osób.
- ✿ Zawsze utrzymujemy stabilną pozycję i równowagę. Pracujemy tylko tam, dokąd bezpiecznie sięgamy. Nigdy nie przeceniamy własnych możliwości. Nie korzystamy z elektronarzędzi, jeżeli jesteśmy zmęczeni.

- ✿ Uwieramy się w odpowiedni sposób. Korzystamy z odzieży roboczej. Nie nosimy luźnych ubrań, ani biżuterii. Dbamy o to, aby nasze włosy, ubranie, rękawice albo jakaś inna część ciała nie znalazła się w bezpośredniej bliskości wirujących albo rozgrzanych części elektronarzędzi.
- ✿ Podłączamy urządzenie do odsysania pyłu. Jeżeli narzędzie ma możliwość podłączenia urządzenia do wychwytywania albo odsysania pyłu zapewniamy, aby zostało ono dobrze podłączone i wykorzystywane. Korzystanie z tych urządzeń może ograniczyć niebezpieczeństwo powodowane obecnością pyłu.
- ✿ Dobrze zamocowujemy obrabiany przedmiot. Korzystamy z zacisku stolarskiego albo ścisku do mocowania części, która będzie obrabiana.
- ✿ Nie korzystamy z elektronarzędzi będąc pod wpływem alkoholu, narkotyków, lekarstw albo innych substancji odurzających i uzależniających.
- ✿ To urządzenie nie jest przeznaczone do używania przez osoby (łącznie z dziećmi) o zmniejszonych predyspozycjach fizycznych, umysłowych albo mentalnych albo nie posiadające odpowiedniej wiedzy i doświadczenia, jeżeli nie są one pod dozorem albo nie zostały pouczone o zasadach korzystania z tych urządzeń przez osoby odpowiedzialne za ich bezpieczeństwo. Dzieci muszą być pod dozorem, aby mieć pewność, że nie będą się bawić tym urządzeniem.

Stosowanie elektronarzędzi i ich konserwacja

- ✿ Elektronarzędzia należy zawsze odłączyć od sieci elektrycznej w przypadku jakiegokolwiek problemu przy pracy, przed każdym czyszczeniem albo konserwacją, przy każdym przemieszczeniu i po zakończeniu pracy! Nigdy nie pracujemy z elektronarzędziem, jeżeli jest ono w jakikolwiek sposób uszkodzone.
- ✿ Jeżeli narzędzie zacznie wydawać nienormalny dźwięk albo wydzielać podejrzany zapach, należy natychmiast przerwać pracę.
- ✿ Elektronarzędzi nie wolno przeciążać. Elektronarzędzie będzie pracować lepiej i bezpieczniej, jeżeli będzie użytkowane z obrotami, do których jest zaprojektowane. Korzystamy wyłącznie ze sprawnych narzędzi, które są przeznaczone do danej czynności. Sprawne narzędzie lepiej i bezpieczniej wykona pracę, do której zostało skonstruowane.
- ✿ Nie korzystamy z elektronarzędzi, których nie można bezpiecznie włączyć i wyłączyć za pomocą wyłącznika. Stosowanie takiego narzędzia jest niebezpieczne. Wadliwe wyłączniki muszą być wymienione przez certyfikowany serwis.
- ✿ Narzędzie odłączamy od źródła energii elektrycznej przed rozpoczęciem jego regulacji, wymiany wyposażenia albo konserwacji. Ten środek ogranicza niebezpieczeństwo przypadkowego włączenia.
- ✿ Niewykorzystywane elektronarzędzia należy uporządkować i przechowywać tak, aby były poza zasięgiem dzieci i osób niepowołanych. Elektronarzędzia w rękach niedoświadczonych użytkowników mogą być niebezpieczne. Elektronarzędzia przechowuje się w suchym i bezpiecznym miejscu.

- ✿ Elektronarzędzia należy utrzymywać w dobrym stanie. Okresowo kontrolujemy regulacje poruszających się części i ich luzy. Kontrolujemy, czy nie doszło do uszkodzenia osłon ochronnych albo innych części, które mogą zagrozić bezpiecznemu działaniu elektronarzędzi. Jeżeli narzędzie jest uszkodzone, to przed dalszym użyciem trzeba zapewnić jego specjalistyczną naprawę. Wiele wypadków zostało spowodowanych przez źle konserwowane elektronarzędzia.
- ✿ Narzędzia tnące muszą być czyste i ostre. Dobrze utrzymane i naostrzone narzędzia ułatwiają pracę, ograniczają niebezpieczeństwo wypadku, a pracę z nimi łatwiej się kontroluje. Zastosowanie innego wyposażenia, niż to, które jest opisane w instrukcji obsługi może spowodować uszkodzenie narzędzia i stać się przyczyną wypadku.
- ✿ Elektronarzędzia, wyposażenie, narzędzia robocze itp. wykorzystuje się zgodnie z tymi zaleceniami i w taki sposób, który jest wymagany dla konkretnego elektronarzędzia z uwzględnieniem danych warunków i rodzaju wykonywanej pracy. Zastosowanie narzędzia do innych celów, niż te, do których jest przeznaczone, może doprowadzić do niebezpiecznych sytuacji.

Korzystanie z narzędzi akumulatorowych

- ✿ Przed włożeniem akumulatora sprawdzamy, czy wyłącznik jest w położeniu „0-wyłącz”. Włożenie akumulatora do włączonego elektronarzędzia może doprowadzić do niebezpiecznych sytuacji.
- ✿ Do ładowania akumulatorów stosujemy tylko ładowarki zalecane przez producenta. Zastosowanie ładowarki do innego typu akumulatora może spowodować jego uszkodzenie i powstanie pożaru.
- ✿ Korzystamy tylko z akumulatorów przeznaczonych dla danego narzędzia. Zastosowanie innych akumulatorów może spowodować wypadek albo powstanie pożaru.
- ✿ Jeżeli akumulator nie jest wykorzystywany, należy go przechowywać oddzielnie od takich przedmiotów metalowych, jak zaciski, klucze, śruby i inne drobne przedmioty metalowe, które mogą spowodować zwarcie styków akumulatora. Zwarcie akumulatora spowodować wypadek, oparzenia albo powstanie pożaru.
- ✿ Z akumulatorami należy postępować ostrożnie. Przy nieostrożnym postępowaniu z akumulatora mogą się wydostać zawarte w nim chemikalia. Unikamy kontaktu z takimi substancjami, a jeżeli dojdzie do takiego kontaktu, myjemy zanieczyszczone miejsce strumieniem bieżącej wody. Jeżeli substancja chemiczna przedostanie się do oczu, należy natychmiast wezwać pomoc lekarską. Substancja chemiczna z akumulatora może spowodować poważne obrażenia ciała.

Serwis

- ✿ Nie wymieniamy części narzędzia, nie wykonujemy napraw we własnym zakresie, ani w inny sposób nie ingerujemy do konstrukcji narzędzia. Naprawy narzędzia powierzamy specjalistom.

- * Każda naprawa albo przeróbka wyrobu bez upoważnienia naszej spółki jest niedopuszczalna (może spowodować obrażenia ciała albo straty materialne).
- * Elektronarzędzia zawsze oddajemy do naprawy do certyfikowanego ośrodka serwisowego. Stosujemy tylko oryginalne albo zalecane części zamienne. W ten sposób zapewniamy bezpieczeństwo własne i swojego narzędzia.

5. SZCZEGÓLNE ZALECENIA DOTYCZĄCE BEZPIECZEŃSTWA

⚠ UWAGA! Przed użyciem należy zapoznać się z niniejszymi zaleceniami dotyczącymi bezpieczeństwa.

- * W razie nie stosowania się do zaleceń zamieszczonych w niniejszej instrukcji występuje ryzyko wypadku.
- * Szlifierka kątowa spełnia obowiązujące przepisy techniczne i normy.

Uwagi dotyczące bezpieczeństwa podczas czynności szlifowania, szlifowania na płasko i szczołkami drucianymi, polerowania i cięcia strumieniem wodno-ściernym

- * Sprzęt elektromechaniczny przeznaczony jest do użytkowania jako szlifierka, szlifierka płaszczyznowa, szlifierka ze szczołką drucianą, polerka lub narzędzie tnące. Należy zapoznać się z wszystkimi uwagami dotyczącymi bezpieczeństwa, wskazówkami, ilustracjami i specyfikacjami odnoszącymi się do sprzętu elektromechanicznego. Niestosowanie się do poniższych wskazówek może prowadzić do porażenia prądem elektrycznym, pożaru czy poważnych obrażeń ciała.
- * Nie zaleca się używać sprzętu do czynności takich jak szlifowanie, szlifowanie na płasko, szlifowanie tarczami drucianymi, polerowanie i cięcie. Używanie sprzętu do wykonywania prac niezgodnych z jego przeznaczeniem może stwarzać zagrożenie i prowadzić do obrażeń ciała.
- * Nie używać wyposażenia, które nie zostało zaprojektowane i wyraźnie zalecone przez producenta sprzętu. Możliwość podłączenia wyposażenia do używanego sprzętu nie gwarantuje jego bezpiecznej pracy.
- * Wartość obrotów znamionowych wyposażenia musi być co najmniej równa wartości obrotów maksymalnych podanej na sprzęcie. Wyposażenie pracujące przy wyższych obrotach niż jego obroty znamionowe może ulec złamaniu i rozpadnięciu.
- * Średnica zewnętrzna i grubość wyposażenia nie mogą przekraczać zakresu

znamionowego danego sprzętu elektromechanicznego. Wyposażenie o nieprawidłowych wymiarach nie zapewnia wystarczającej ochrony ani możliwości kontroli.

- ✿ Wymiary mocowań tarcz, tulei, dysków wsporczych i innego wyposażenia muszą pozwalać na ich umocowanie do wrzeciona. Wyposażenie, którego otwory mocujące nie pasują do wymiarów montażowych sprzętu elektromechanicznego, nie umożliwia prawidłowego wyważenia, co może powodować nadmierne drgania i prowadzić do utraty kontroli.
- ✿ Nie używać uszkodzonego wyposażenia. Przed użyciem sprzętu zawsze sprawdź wyposażenie: tarcze szlifierskie pod kątem ubytków i pęknięć, dyski wsporcze pod kątem pęknięć, zerwania i nadmiernego zużycia, szczotki druciane pod kątem poluzowanych lub pękniętych drutów. Jeżeli doszło do upadku wyposażenia lub sprzętu, sprawdź pod kątem uszkodzeń lub zamontować nieuszkodzone wyposażenie. Obsługa i osoby postronne powinny po sprawdzeniu i zamontowaniu wyposażenia ustawić się tak, aby znajdować się poza płaszczyznami obrotów wirującego wyposażenia. Sprzęt należy najpierw włączyć na jedną minutę na najwyższych obrotach bez obciążenia. Uszkodzone wyposażenie zazwyczaj złamie się lub rozpadnie w trakcie włączenia próbnego.
- ✿ Stosować środki ochrony indywidualnej. W zależności od rodzaju zastosowania korzystać z osłony twarzy lub okularów ochronnych. W wymagających tego okolicznościach stosować maski przeciwpyłowe, ochronniki słuchu, rękawice i fartuchy robocze ze zdolnością zatrzymywania małych odprysków szlifowanego lub inaczej obrabianego materiału. Środki ochrony wzroku powinny zatrzymywać odlatujące odpryski powstające podczas różnych prac. Maską lub półmaską przeciwpyłową powinna odfiltrowywać cząstki powstające podczas wykonywania danej czynności. Długotrwałe narażenie na hałas o wysokiej intensywności może być przyczyną utraty słuchu.
- ✿ Osoby postronne powinny trzymać się w bezpiecznej odległości od przestrzeni roboczej. Każda osoba wchodząca w przestrzeń roboczą powinna stosować środki ochrony indywidualnej. Odpryski obrabianego materiału lub uszkodzonego wyposażenia mogą wylatywać i powodować obrażenia również poza ścisłą przestrzenią roboczą.
- ✿ Wykonując prace, podczas których narzędzie obrabiające może natrafić na ukryty przewód lub własny przewód zasilający, trzymać sprzęt elektromechaniczny wyłącznicą za uchwyty o zaizolowanej powierzchni. Zetknięcie narzędzia obrabiającego z przewodem pod napięciem może powodować wystąpienie napięcia również na nieizolowanych metalowych częściach sprzętu elektromechanicznego i prowadzić do porażenia prądem elektrycznym.

- ✿ Ruchomy przewód umieścić poza zasięgiem wirującego narzędzia. W przypadku utraty kontroli przez obsługę może dojść do przecięcia lub przetarcia ruchomego przewodu i wciągnięcia dłoni lub ręki pracownika obsługi pod wirujące narzędzie.
- ✿ Sprzętu elektromechanicznego nigdy nie pokładać, dopóki zupełnie nie ustanie jego ruch. Wirujące narzędzie może zaczepić o powierzchnię i spowodować utratę kontroli obsługi nad sprzętem.
- ✿ Podczas przenoszenia sprzętu elektromechanicznego nigdy nie opuszczać go stronie obsługi. Przypadkowy kontakt z wirującym narzędziem może spowodować zaczepienie odzieży obsługi przylgnięcie narzędzia do ciała.
- ✿ Regularnie czyścić otwory wentylacyjne sprzętu. Wentylator silnika zasysa pył do wewnątrz obudowy. Nagromadzenie się w niej zbyt wielkiej ilości pyłu metalowego może powodować zagrożenie prądem elektrycznym.
- ✿ Nie wykonywać prac ze sprzętem elektromechanicznym w pobliżu materiałów łatwopalnych. Mogłoby dojść do ich zapłonu od iskier.
- ✿ Nie używać wyposażenia wymagającego chłodzenia płynem. Stosowanie wody lub innych płynów chłodzących może być przyczyną porażenia prądem elektrycznym, nawet ze skutkiem śmiertelnym.

Pozostałe wskazówki dotyczące bezpieczeństwa podczas wszystkich wykonywanych prac

Odrzut i związane z nim ostrzeżenia

Odrzut to nagła reakcja na zakleszczenie lub zacięcie się wirującej tarczy, dysku wsparczego, szczotki lub innego wyposażenia. Zakleszczenie lub zacięcie się powoduje nagłe zatrzymanie wirującego narzędzia, co z kolei powoduje niekontrolowany ruch sprzętu w kierunku odwrotnym do obrotów narzędzia w punkcie zakleszczenia.

Przyczyną odrzutu jest nieprawidłowe użytkowanie sprzętu elektromechanicznego, nieprzestrzeganie prawidłowych procedur roboczych i/lub nieodpowiednie warunki pracy. Zjawisku odrzutu można zapobiegać, stosując w należyty sposób poniższe środki bezpieczeństwa.

- ✿ Mocno trzymać sprzęt, zachowując odpowiednią postawę i pozycję ręki, tak aby móc zapanować nad siłami odrzutu. Zawsze korzystać z uchwytu pomocniczego na sprzęcie, jeśli jest, aby zapewnić maksymalną kontrolę nad odrzutem lub momentem obrotowym w chwili uruchomienia maszyny. Przestrzeganie przez obsługę odpowiednich środków bezpieczeństwa pozwala opanować momenty obrotowe i siły odrzutu.
- ✿ Nigdy nie należy zbliżać dłoni do wirującego narzędzia. Narzędzie może odrzucić dłoń pracownika obsługi pod wpływem odrzutu.

- ✿ Nie wolno stać w przestrzeni znajdującej się w zasięgu narzędzia wylatującego pod wpływem odrzutu. Odrzut powoduje wyrzucenie narzędzia w kierunku odwrotnym do ruchu tarczy w punkcie zakleszczenia.
- ✿ Zachowywać szczególną ostrożność podczas obróbki narożników, ostrych kątów itp. Zapobiegać podskakiwaniu i zacinaniu się narzędzia. Narożniki, ostre kany lub podskakiwanie narzędzia może prowadzić do jego zakleszczenia, powodując utratę kontroli lub odrzut.
- ✿ Nie podłączać do sprzętu łańcuchowej tarczy rzeźbiarskiej do pilarek ani zębatej tarczy pilarskiej. Tarcze te bywają częstą przyczyną odrzutu i utraty kontroli.

Dodatkowe wskazówki dotyczące bezpieczeństwa podczas prac szlifierskich i cięcia

Uwagi dotyczące bezpieczeństwa podczas prac szlifierskich i cięcia strumieniem wodno-ściernym:

- ✿ Stosować tarcze zalecane do użytku ze sprzętem elektromechanicznym oraz specjalną obudową ochronną zaprojektowaną dla danej tarczy. Tarcze, których nie zaprojektowano do użytku z danym sprzętem elektromechanicznym, nie umożliwiają odpowiedniego zakrycia, przez co stanowią zagrożenie.
- ✿ Obudowę ochronną należy umocować na sprzęcie elektromechanicznym w taki sposób, aby zapewniała najwyższy stopień bezpieczeństwa i aby jak najmniejsza część tarczy pozostawała odkryta od strony obsługi. Obudowa ochronna pomaga chronić obsługę przed odpryskami tarczy, przypadkowym zetknięciem się z tarczą oraz iskrami, które mogłyby spowodować zapłon odzieży.
- ✿ Używać tarcz wyłącznie zgodnie z ich przeznaczeniem. Przykładowo: zabrania się szlifowania boczną stroną tarczy tnącej. Tarcze do cięcia strumieniem wodno-ściernym przeznaczone są do cięcia obwodowego i mogłyby ulec zmiżdżeniu pod wpływem działających na nie sił bocznych.
- ✿ Zawsze stosować nieuszkodzone tuleje tarcz, o rozmiarach i kształcie odpowiednim dla danej tarczy. Prawidłowo dobrane tuleje podtrzymują tarczę, zmniejszając ryzyko jej pęknięcia. Tuleje do tarcz tnących mogą różnić się od tulei do tarcz szlifierskich.
- ✿ Nie stosować zużytych tarcz o pierwotnie większych rozmiarach, przeznaczonych do większego sprzętu elektromechanicznego. Tarcze przeznaczone do większego sprzętu elektromechanicznego nie nadają się do użytku w mniejszym sprzęcie o wyższych obrotach i mogą ulec pęknięciu.

Dodatkowe wskazówki dotyczące bezpieczeństwa podczas cięcia Dodatkowe uwagi dotyczące bezpieczeństwa podczas prac cięcia strumieniem wodno-ściernym:

- ✿ Tarcza tnąca nie może wbijać się w materiał i nie wolno poddawać jej nadmiernemu naciskowi. Nie stosować siły w celu osiągnięcia większej głębokości cięcia. Przeciżnienie tarczy zwiększa jej obciążenie i podatność na wygięcie lub zakleszczenie w położeniu cięcia, a co za tym idzie, ryzyko odrzutu lub pęknięcia tarczy.
- ✿ Nie stać w linii prostej w stosunku do wirującej tarczy lub za nią. Jeżeli tarcza porusza się w punkcie roboczym w kierunku przeciwnym od ciała pracownika obsługi, w razie odrzutu obracająca się tarcza i sprzęt elektromechaniczny mogą zostać wyrzucone wprost na obsługę.
- ✿ W przypadku zakleszczenia się tarczy lub zatrzymania cięcia z jakiegokolwiek przyczyny wyłączyć sprzęt elektryczny i trzymać go nieruchomo aż do zupełnego zatrzymania tarczy. Nigdy nie próbować wyjąć tarczy znajdującej się w położeniu cięcia podczas jej ruchu, ponieważ grozi to wywołaniem odrzutu. Zawsze zbadać okoliczności i zapewnić poprawę, tak aby zapobiec zacinaniu się tarczy w przyszłości.
- ✿ Nie rozpoczynać ponownie cięcia obrabianego materiału. Odczekać, dopóki tarcza nie osiągnie pełnych obrotów, a następnie wprowadzić ją w położenie cięcia. Ponowne włączenie sprzętu z tarczą wbitą w cięty materiał może spowodować jej zakleszczenie, wyrzucenie do góry lub zjawisko odrzutu.
- ✿ Panele i inne obrabiane materiały o dużych rozmiarach należy podeprzeć w celu zmniejszenia ryzyka zakleszczenia tarczy i odrzutu. Duże obrabiane przedmioty mogą ugiąć się pod wpływem własnego ciężaru. Podpory należy umieścić pod obrabianym materiałem w okolicy linii cięcia oraz w pobliżu krawędzi materiału po obu stronach tarczy.
- ✿ Należy zachowywać szczególną ostrożność podczas cięcia we wnękach, w istniejących ścianach i innych ślepych otworach. Przechodząca tarcza może przeciąć rury gazowe lub wodociągowe, przewody elektryczne lub przedmioty, doprowadzając do odrzutu.

Dodatkowe wskazówki dotyczące bezpieczeństwa podczas prac szlifierskich na płasko

Uwagi dotyczące bezpieczeństwa podczas prac szlifierskich na płasko:

- ✿ Nie należy zakładać na dysk szlifierski zbyt dużych arkuszy papieru ściernego. Papier ścierny należy dobrać zgodnie z zaleceniami producenta. Wystający poza dysk szlifierski zbyt duży arkusz papieru ściernego grozi zerwaniem, co może prowadzić do zakleszczenia lub rozłamania tarczy lub spowodować odrzut.

Dodatkowe wskazówki dotyczące bezpieczeństwa podczas prac polerskich

Uwagi dotyczące bezpieczeństwa podczas prac polerskich:

- ✿ Należy uważać, aby żadna część nakładki polerskiej lub sznurka mocującego nie mogła swobodnie wirować. Wszystkie poluzowane sznurki mocujące należy zacześć lub odciąć. Poluzowane wirujące sznurki mocujące mogą zaplątać się o palce obsługi lub zaczepić o obrabiany materiał.

Dodatkowe wskazówki dotyczące bezpieczeństwa podczas prac szlifierskich z użyciem szczotki drucianej

Uwagi dotyczące bezpieczeństwa podczas prac szlifierskich z użyciem szczotki drucianej

- ✿ Produkt nie jest przeznaczony do szlifowania z użyciem szczotki drucianej.
- ✿ Nawet podczas rutynowych czynności z szczotki wylatuje druciane włosie. Nie należy przeciążać drutów przez nadmierne obciążanie szczotki. Druciane włosie może z łatwością przebić lekką odzież lub skórę.
- ✿ Jeżeli podczas szlifowania z użyciem szczotki drucianej zalecane jest stosowanie obudowy ochronnej, należy zapewnić, aby tarcza lub szczotka drucziana w żadnym miejscu nie stykała się z obudową ochronną. Średnica tarczy lub szczotki drucianej może wzrastać pod wpływem obciążenia i sił odśrodkowych podczas pracy.
- ✿ Oprócz tarczy szlifierskich, tarczy do cięcia i tarczy diamentowych nie używać innego osprzętu.
- ✿ Nigdy nie używać narzędzi nie stosując osłon ochronnych.
- ✿ Zawsze należy stosować środki chroniące wzrok (okulary ochronne lub maska ochronna) i słuch.
- ✿ Nie używać tarczy do cięcia lub tarczy do szlifowania do szlifowania bokiem tarczy.
- ✿ Należy uważać, aby podczas prac powodujących zapylenie otwory wentylacyjne były czyste.
- ✿ Podczas cięcia ścian należy sprawdzić, czy w miejscu prac nie znajduje się w ścianach instalacja elektryczna (wykrywaczem metali).
- ✿ Tarczę szlifierską nigdy nie należy chłodzić wodą.
- ✿ Nie należy dotykać krawędzi po wykonanej pracy, mogą być gorące.
- ✿ Nie należy mocować szlifierki do stołu roboczego.
- ✿ Należy sprawdzić, czy ilość obrotów podana na tarczy szlifierskiej jest wyższa niż ilość obrotów szlifierki kątowej podana na tabliczce znamionowej lub taka sama.
- ✿ Nie należy ciąć materiału, który wymaga głębokości cięcia przekraczającej dopuszczalną głębokość cięcia tarczy szlifierskiej.
- ✿ Nie należy ciąć lub szlifować metali lekkich o zawartości magnezu przekraczającej 80%, ponieważ metale takie są palne.
- ✿ Należy pilnować, aby tarcza szlifierska miała prawidłowe wymiary i aby była prawidłowo zamocowana.
- ✿ Należy postępować z tarczami szlifierskimi bardzo ostrożnie i zgodnie z zaleceniami dotyczącymi postępowania z tarczami szlifierskimi.
- ✿ Przed rozpoczęciem danej czynności z użyciem tarczy szlifierskiej, należy sprawdzić stan tarczy szlifierskiej.
- ✿ Nie należy używać tarczy szlifierskich popękanych lub uszkodzonych w inny sposób.

- ✿ Należy upewnić się, czy tarcza szlifierska jest zamocowana zgodnie z zaleceniami.
- ✿ Po zamocowaniu tarczy szlifierskiej należy sprawdzić pracę szlifierki bez obciążenia i w bezpiecznym miejscu. Jeżeli szlifierka nadmiernie wibruje lub jeżeli pojawią się na tarczy widoczne uszkodzenia należy szlifierkę natychmiast wyłączyć i wykryć przyczynę.
- ✿ Nie stosować pierścieni redukcyjnych lub innych pomocniczych elementów przy mocowaniu tarczy szlifierskich przeznaczonych do innej średnicy wrzeciona.
- ✿ Należy obrabiany materiał prawidłowo zamocować.
- ✿ Nigdy nie należy używać tarczy szlifierskiej do usuwania zadziorów.
- ✿ Należy pilnować, aby iskry nie spadały na nikogo i aby nie mogły zapalić materiału palnego.
- ✿ Nie można pracować używając szlifierki, jeżeli w linii tarczy szlifierskiej znajduje się inna osoba. Należy dbać, aby stanowisko pracy było czyste.
- ✿ Przycisk zabezpieczający tarczę (3) można nacisnąć jeżeli silnik i wrzeciono szlifierki nie obraca się!
- ✿ Należy pamiętać, że tarcza szlifierska po wyłączeniu szlifierki jeszcze przez jakiś czas obraca się pod działaniem siły bezwładności.
- ✿ Zawsze należy stosować dodatkową rękojęść dostarczaną z narzędziem.
- ✿ Utrata kontroli nad urządzeniem elektrycznym może spowodować wypadek.

⚠ UWAGA! Stosować środki ochrony osobistej, zabezpieczające przed hałasem, pyłem i drganiami!!!

⚠ UWAGA! NALEŻY PRZECHOWYWAĆ NINIEJSZE ZALECENIA DOTYCZĄCE BEZPIECZEŃSTWA PRACY !!!

6. ZASTOSOWANIE I EKSPLOATACJA

- ✿ Niniejsza szlifierka kątowa jest przeznaczona do stosowania na użytek prywatny.
- ✿ Producent i importer nie zalecają użytkowania niniejszego narzędzia w warunkach ekstremalnych i do prac przy dużym obciążeniu.
- ✿ Inne uzupełniające wymagania muszą stanowić przedmiot uzgodnień pomiędzy producentem i odbiorcą.
- ✿ Przy zastosowaniu odpowiednich tarczy, szlifierka jest przystosowana do cięcia, szlifowania, obróbki zgrubnej i polerowania metalu, kamienia i materiałów ceramicznych.
- ✿ Urządzenie i odpowiednie wyposażenie należy używać zgodnie z przeznaczeniem, odpowiednio do wskazówek producenta.
- ✿ Stosowanie narzędzia do innych celów jest zabronione.

Zamontowanie dodatkowej rękojęści (Ilustracja B)

- ✿ Dodatkową rękojęść (2) należy zamocować w jednym z otworów montażowych.

Jak zamontować i zdejmować osłonę zabezpieczającą (Ilustracja C)

- ✿ Odkręcić śrubę mocującą uchwyty osłony (7).
- ✿ Nasadzić osłonę (5) zgodnie z ilustracją (C) i dokręcić śrubę.
- ✿ Zdejmowanie osłony przebiega w sposób odwrotny
- ⚠ **UWAGA!** Nigdy nie należy używać szlifierki bez osłony ochronnej.

Jak zamontować i zdjąć tarczę szlifierską (Ilustracja D,E,F)

- ⚠ **UWAGA!** Przed zamontowaniem lub zdjęciem tarczy szlifierskiej zawsze należy odłączyć szlifierkę od zasilania.
- ✿ Położyć szlifierkę na stole wrzecionem do góry.
- ✿ Zamocować osłonę (5) zgodnie z zaleceniami przedstawionymi powyżej.
- ✿ Na wrzeciono (4) nałożyć podkładkę (8).
- ✿ Na podkładkę nasadzić tarczę szlifierską (9).
- ✿ Na wrzeciono nakręcić nakrętkę mocującą (10).
- ✿ Nacisnąć przycisk zabezpieczający (3) i za pomocą śrubokręta krzyżakowego dokręcić nakrętkę zabezpieczającą (10).
- ✿ W przypadku zastosowania tarczy do szlifowania, dokręcić nakrętkę zabezpieczającą (10) skierowaną noskiem prowadzącym w dół (E1).
- ✿ W przypadku zastosowania tarczy do cięcia dokręcić nakrętkę zabezpieczającą (10) skierowaną noskiem prowadzącym w górę (E2).
- ⚠ **UWAGA!** Przycisk zabezpieczający wrzeciona (3) nacisnąć dopiero po pełnym zatrzymaniu silnika i wrzeciona szlifierki!
- ✿ Przycisk zabezpieczający wrzeciona (3) należy naciskać przez cały czas wymiany tarczy.
- ✿ Zwolnić przycisk zabezpieczający.
- ✿ Tarczę szlifierską zdejmować w sposób odwrotny.

Włączenie i wyłączenie (Ilustracja G)

- ✿ Szlifierkę włącza się przez przesunięcie wyłącznika (1) do położenia „I”
- ✿ Przesunięcie wyłącznika (1) w położenie „0” powoduje wyłączenie szlifierki.

7. ZALECENIA DOTYCZĄCE PRACY Z UŻYCIEM SZLIFIERKI

- ✿ Optymalny kąt położenia tarczy w stosunku do elementu obrabianego wynosi 150°.
- ✿ Należy zachować możliwie największą odległość tarczy od obsługującego pracownika.
- ✿ Na szlifierkę należy jedynie przenosić delikatny nacisk, nie należy obciążać szlifierki naciskiem bocznym. Kontrolować kierunek obrotów tarczy i uważać na iskry.
- ✿ Zapobiec spadaniu obrabianego elementu.
- ✿ Jeżeli średnica tarczy jest mniejsza niż 80 mm, należy dokonać wymiany tarczy.

8. KONSERWACJA

- ✿ Przed rozpoczęciem czyszczenia i konserwacji, należy odłączyć szlifierkę od zasilania.
- ✿ Szlifierka nie wymaga dodatkowego smarowania i konserwacji. Nie zawiera żadnych elementów podlegających naprawie przez użytkownika.
- ✿ Nigdy do czyszczenia narzędzia nie należy używać wody lub chemicznych środków czyszczących. Czyścić używając suchej ściarki.
- ✿ Utrzymywać w czystości otwory wentylatora.
- ✿ Jeżeli w okolicach silnika jest widoczne słabe iskrzenie, jest to prawidłowe. Zwiększone iskrzenie powodowane jest usterką silnika.
- ✿ Żadnego z elementów narzędzia nie należy czyścić przy użyciu twardych i ostrych przedmiotów.

Kontrola i wymiana szczotek

- ✿ Szczotki węglowe należy regularnie sprawdzać.
- ✿ W razie widocznego zużycia należy wymienić obie szczotki jednocześnie. Sprawdzić mocowanie szczotek.
- ✿ Po zainstalowaniu nowych szczotek należy włączyć szlifierkę i pozostawić ją na biegu bez obciążania przez około 5 minut.
- ✿ Stosować wyłącznie szczotki odpowiedniego typu.

Przechowywanie w okresie dłuższej przerwy w użytkowaniu.

- ✿ Narzędzie nie należy przechowywać w miejscach o wysokiej temperaturze.
- ✿ Jeżeli jest to możliwe należy przechowywać narzędzie w miejscu o stałej temperaturze i wilgotności.

9. ZALECENIA EKSPLOATACYJNE I KONSERWACYJNE

- ✿ Narzędzia, wyposażenie i instrukcję obsługi należy przechowywać w opakowaniu oryginalnym, zawsze w ten sposób będą dostępne potrzebne części i informacje.
- ✿ Pilarka jest w zasadzie urządzeniem bezobsługowym, jedyną czynnością jest regularne oczyszczenie osłony pilarki wilgotną ścierką. Pilarkę należy chronić przed kontaktem z wodą i wilgocią. Należy stosować się zaleceń zawartych w niniejszej instrukcji obsługi.

10. DANE TECHNICZNE

Zasilanie.....	230V~/ 50Hz
Moc.....	1400W
Obroty.....	4000 -8600 ot./min
Klasa ochrony.....	II
Średnica tarczy.....	Ø 150 mm
Gwint wrzeciona.....	M 14
Długość przewodu zasilającego.....	1,8 m
LpA: (ciśnienie akustyczne).....	93.9 dB(A)
LwA: (poziom hałasu).....	104.9 dB (A)
poziom wibracji.....	ah.D1 = 7.008 ms ⁻² , K = 1.5 ms ⁻²

Instrukcja użytkowania - tylko wersja językowa.

Zastrzega się możliwość zmiany tekstu i parametrów technicznych.

Zmiany tekstu, designu i danych technicznych mogą być dokonywane bez uprzedniego ostrzeżenia.

Zastrzegamy sobie prawo do ich zmiany.

Usuwanie usterek

Okazuje się, że część pojawiających się awarii użytkownik może rozwiązać samodzielnie. Dlatego sprawdź posiadany produkt przy użyciu poniższej sekcji. W większości przypadków problem można szybko rozwiązać.

OSTRZEŻENIE!

Wykonaj jedynie czynności opisane w niniejszej instrukcji! Wszystkie dodatkowe kontrole, prace konserwacyjne i naprawcze mogą być wykonywane jedynie przez autoryzowany serwis lub wykwalifikowanego specjalistę, jeśli problem nie może być samodzielnie rozwiązany!

Problem	Możliwa przyczyna	Rozwiązanie
1. Produkt nie uruchamia się	1.1 nie jest podłączony do źródła zasilania 1.2 Przewód zasilający jest uszkodzony 1.3 Inna usterka elektryczna produktu	1.1 Podłącz do zasilania 1.2 Sprawdź przez specjalistę elektryka 1.3 Sprawdź przez specjalistę elektryka
2. Produkt nie osiąga pełnej mocy	2.1 przedłużacz nie nadaje się do współpracy z tym produktem 2.2 Źródło zasilania (np. Generator) ma zbyt niskie napięcie 2.3 Otwory wentylacyjne są zablokowane	2.1 Użyj odpowiedniego przedłużacza 2.2 Podłącz do innego źródła zasilania 2.3 Oczyszcz otwory wentylacyjne
3. Niezadawalający wynik	3.1 Dysk jest zużyty / uszkodzony 3.2 Dysk nie nadaje się do obrabianego materiału	3.1 Wymień na nowy 3.2 Zastosuj właściwy dysk
4. Nadmierne wibracje lub hałas	4.1 Dysk jest zużyty / uszkodzony 4.2 Śruby / nakrętki są luźne	4.1 Wymień na nowy 4.2 Dokręć śruby / nakrętki

11. LIKWIDACJA

ZALECENIA I INFORMACJE O POSTĘPOWANIU Z ZUŻYTYM PAKOWANIEM.

Zużyty materiał z opakowania przekazuje się na gminne wysypisko odpadów.

LIKWIDACJA ZUŻYTYCH URZĄDZEŃ ELEKTRYCZNYCH I ELEKTRONICZNYCH



Ten symbol na produktach albo w dokumentach przewodnich oznacza, że zużyte wyroby elektryczne i elektroniczne nie mogą być dodawane do zwykłych odpadów komunalnych. W celu właściwej likwidacji, odzysku i recyklingu trzeba je przekazywać w ustalone zbiorcze miejsca. Alternatywnie w niektórych krajach Unii Europejskiej albo w innych krajach europejskich można zwrócić takie wyroby lokalnemu sprzedawcy przy zakupie nowego, ekwiwalentnego produktu. Właściwa likwidacja tego produktu pomoże zachować cenne źródła naturalne i pomaga w zapobieganiu negatywnym wpływom na środowisko naturalne i zdrowie ludzi, które mogłaby spowodować niewłaściwa likwidacja odpadów. Szczegółowych informacji udziela Urząd gminy albo najbliższe wysypisko odpadów. Przy niewłaściwej likwidacji tego rodzaju odpadu, zgodnie z przepisami krajowymi, może dojść do nałożenia mandatu karnego.

Dotyczy podmiotów gospodarczych w Unii Europejskiej

Jeżeli trzeba zlikwidować urządzenia elektryczne i elektroniczne, to niezbędne informacje należy uzyskać od swojego sprzedawcy albo dostawcy.

Likwidacja w innych krajach poza Unią Europejską

Ten symbol obowiązuje w Unii Europejskiej. Jeżeli chcemy ten wyrób zlikwidować, to niezbędne informacje o właściwym sposobie likwidacji otrzymujemy od urzędów lokalnych albo od swojego sprzedawcy.



Ten wyrób spełnia wszystkie podstawowe wymagania dyrektyw UE, które go dotyczą.

Zmiany w tekście, designie i specyfikacji technicznej mogą nastąpić bez wcześniejszego uprzedzenia i zastrzegamy sobie prawo do ich wprowadzania.