



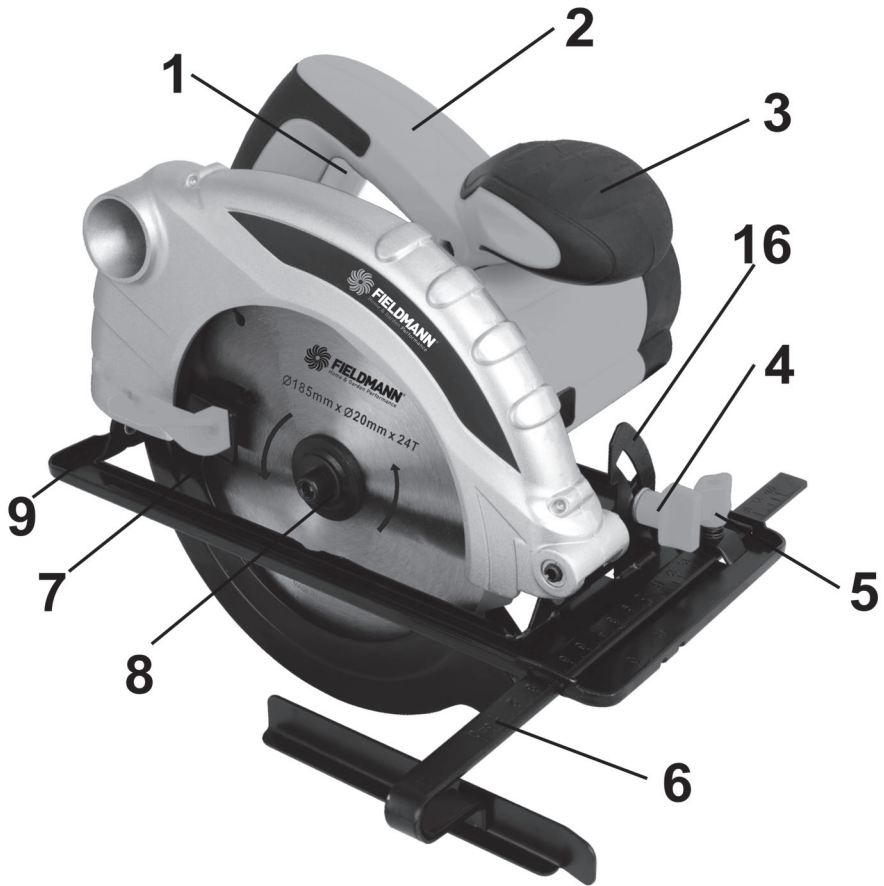
FIELDMANN[®]
Home & Garden Performance



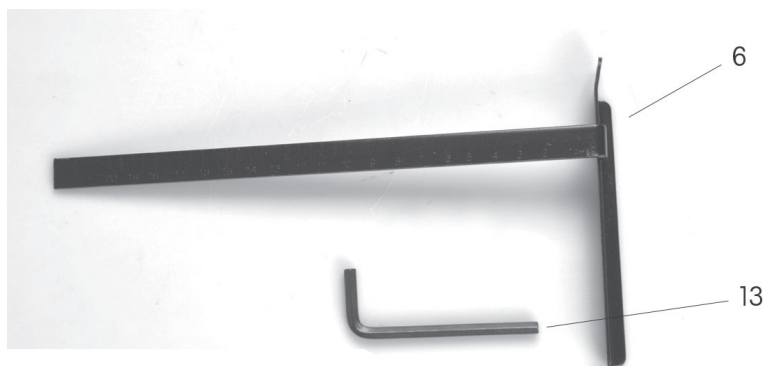
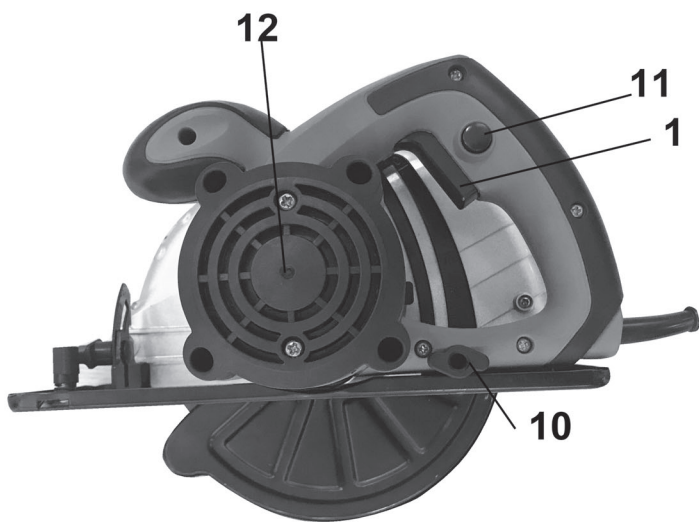
FDK 201302 - E

English	8
Čeština	24
Slovenčina	42
Magyarul	60
Polski	81

1



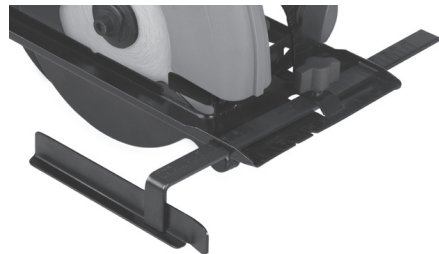
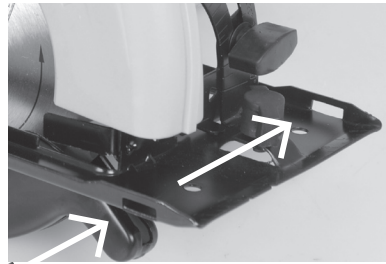
2



3



4



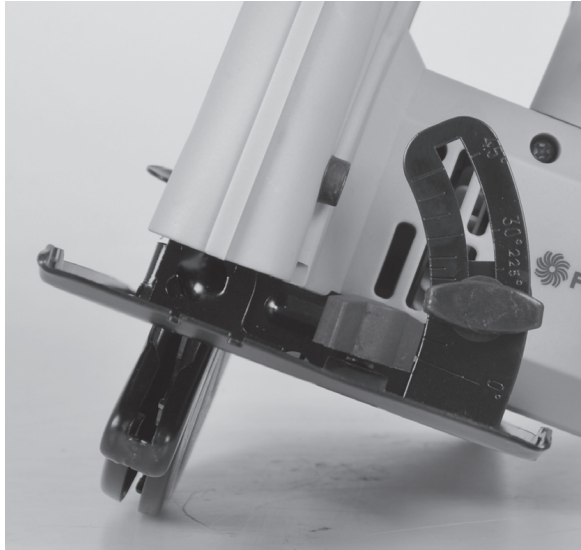
5



6



7



8



Electrical Circular Saw with AC Laser

INSTRUCTION MANUAL

Thank you for your purchase of the electrical circular saw. For your personal safety, read and understand the Instruction Manual before using. Keep the Instruction Manual in a safe place for future reference.

TABLE OF CONTENTS

1. GENERAL SAFETY INSTRUCTIONS	8
2. SYMBOLS AND PICTOGRAMS	12
3. MACHINE DESCRIPTION AND PACKAGE CONTENT	13
4. SAFETY INSTRUCTIONS	14
5. USE AND OPERATION	18
6. CLEANING AND MAINTENANCE	20
7. TECHNICAL DATA	21
8. LIQUIDATION	23

1. GENERAL SAFETY INSTRUCTIONS

Carefully read, remember and keep these safety instructions

⚠ WARNING! In the use of electric machines and power tools, it is necessary to respect and follow the following safety instructions for the reasons of protection against electric shock, personal injury and danger of fire. The term “power tool” in the instructions below refers both to mains-operated (corded) power tool or battery-operated (cordless) power tool. Save all warnings and instructions for future reference.

Workplace

- ✿ Keep the work area clean and well lit. Cluttered or dark areas in the workplace invite accidents. Store power tools that you don't currently use.
- ✿ Do not operate power tools in environments with danger of occurrence of a fire or explosion, such as in the presence of flammable liquids, gases, or dust. Power tools create sparks which may ignite the dust or fumes.
- ✿ Keep unauthorised persons, especially children, away from the work area while operating a power tool! Distractions can cause you to lose control over the performed activity. In no event leave your power tool unattended. Keep the equipment away from animals.

Electrical Safety

- ✿ Power tool plugs must match the mains socket outlet. Never modify the plug in any way. Do not use any adapter plugs with earthed (grounded) power tools. Undamaged plugs and matching outlets will reduce risk of electric shock. Damaged or fouled supply cables increase the risk of electric shock. If the power cord is damaged, it must be replaced by a new power cord which is available at the authorised service centre or the importer.
- ✿ Avoid body contact with earthed or grounded surfaces such as pipes, radiators, cooking ranges and refrigerators. There is an increased risk of electric shock if your body is earthed or grounded.
- ✿ Do not expose power tools to rain or wet conditions. Never touch the power tool with wet hands. Never wash the power tool under running water or immerse it in water.
- ✿ Never use the supply cable for other than intended purposes. Never use the cord for carrying or pulling the power tool. Never unplug the plug from the outlet by pulling the cable. Keep electric cables away from sharp or hot objects to prevent mechanical damage.
- ✿ The power tool was designed to be powered solely by alternating electric current. Always check if the electric voltage matches the information specified in the type label of the power tool.
- ✿ Never use power tool with damaged electric cable or plug or which has been dropped or is in any way damaged.

- ✿ If an extension cord is used, always check whether its technical parameters match the information specified in the type label of the power tool. When operating a power tool outdoors, use an extension cord suitable for outdoor use. If extension drums are used, these must be rolled out to prevent overheating of the cord.
- ✿ If a power tool is operated in a damp location or outdoors, its operation is only permitted if connected to an electric circuit protected by a residual current device <math><30\text{ mA}</math>. Use of residual current device (RCD) reduces the risk of electric shock.
- ✿ Hold the power tool by insulated gripping surfaces only as the cutting or drilling tool may contact hidden wiring or its own power cord during operation.

Personal Safety

- ✿ Be careful, stay alert and watch what you are doing when operating a power tool. Concentrate on your work. Do not use a power tool while you are tired or under the influence of drugs, alcohol or medication. A moment of inattention while operating power tools may result in serious personal injury. Do not eat, drink and smoke while operating a power tool.
- ✿ Use personal protective equipment. Always wear eye protection. Use protective equipment corresponding to the type of work you are doing. Protective equipment such as dust mask, non-skid safety shoes, hard hat, or hearing protection used in accordance with the working conditions will reduce the risk of personal injury.
- ✿ Prevent unintentional starting. Do not carry the power tool while it is energised or with your finger on the switch or trigger. Ensure the switch or trigger is in the "off" position before connecting to power source. Carrying power tools with your finger on the switch or energising power tools that have the switch on may result in serious injuries.
- ✿ Remove any adjusting key or wrench before turning the power tool on. An adjusting wrench or a key left attached to a rotating part of the power tool may result in personal injury.
- ✿ Keep proper footing and balance at all times. Do not overreach. Never overestimate your own capabilities. Never use power tools while you are tired.
- ✿ Dress properly. Wear work clothes. Do not wear loose clothing or jewellery. Keep your hair, clothing, gloves and other part of your body away from moving or hot parts of the power tool.
- ✿ Connect the equipment to dust exhaustion. If the tools are provided for the connection of dust collection or exhaustion devices, ensure these are properly connected and used. Use of such devices can reduce dust-related hazards.
- ✿ Fix the work-piece tightly. Use a cabinet clamp or a clamp to fix the work-piece you are about to machine.
- ✿ Never use power tools if you are under the influence of alcohol, drugs, medication or other narcotic or addictive substances.
- ✿ This equipment is not intended for use by persons (including children) with limited physical, sensual or mental capacities or lack of experience or knowledge unless they are supervised or instructed about the use of the equipment by a person responsible for their safety. Children must be supervised to make sure they are not playing with the equipment.

Power Tool Use and Maintenance

- ✿ Always disconnect the power tool from the mains in case of any problem during the work, before cleaning the power tool or its maintenance, during each transportation and after the completion of the work! Never operate a power tool if it is damaged in any way.
- ✿ Immediately stop working if the power tool generates abnormal noise or smell.
- ✿ Do not overload the power tool. The power tool will operate better and safer if it is used at the rate for which it was designed. Use correct power tool which is intended for the given activity. The correct power tool will do the job it was designed for better and safer.
- ✿ Do not use the power tool if it cannot be safely turned on and off using the control switch. Use of such power tool is dangerous. Defective switches must be repaired by a certified service provider.
- ✿ Disconnect the tool from the power source before making any adjustments, changing accessories or maintenance. Such preventive safety measure prevents the risk of starting the power tool accidentally.
- ✿ Store idle power tools out of the reach of children and unauthorised persons. Power tools can be dangerous in the hands of untrained users. Store the power tools in a dry and safe place.
- ✿ Keep the power tool in good condition. Check the adjustment of moving parts and their mobility. Check for any damage to the protective guards or other parts which could affect safe operation of the power tool. If damaged, have the power tool properly repaired before further use. Many accidents are caused by poorly maintained power tools.
- ✿ Keep cutting tools sharp and clean. Properly maintained cutting tools with sharp cutting edges facilitate work, reduce the risk of injury and are easier to control. Use of accessories other than those specified in the instructions for use could result in damage to the power tool and cause injuries.
- ✿ Use the power tool, accessories and tool bits etc. in accordance with these instructions and in the manner intended for the particular type of power tool taking into account the working conditions and the work to be performed. Use of the power tool for purposes other than those the power tool was intended for could result in hazardous situations.

Service

- ✿ Do not replace parts of the power tool, do not make any repairs or interfere in any way with the construction of the power tool. Have your power tool repaired by qualified repair persons.
- ✿ Any repair or modification of the product without our company's authorisation is impermissible (it could cause injury or damage to the user).
- ✿ Always have your power tool repaired in a certified service centre. Use only original or recommended replacement parts. This will ensure that your safety and the safety of your power tool is maintained.

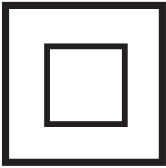
2. SYMBOLS AND PICTOGRAMS



The product complies with the applicable standards and regulations.



Read the Instruction Manual attentively prior to use.



Double-insulated.



Use eyes protective equipment



Use ears protective equipment



Subjected to recycling



3. MACHINE DESCRIPTION AND PACKAGE CONTENT

Machine Description (see Fig. 1.2)

- 1 - Switch
- 2 - Handle
- 3 - Guiding handle
- 4 - Bevel adjustment knob
- 5 - Parallel guide adjustment knob
- 6 - Parallel guide
- 7 - Circular-saw blade guide
- 8 - Circular-saw base
- 9 - Blade stud
- 10 - Cutting depth adjustment knob
- 11 - Safety switch
- 12 - Carbon brush cover
- 13 - Allen wrench
- 16 - Bevel angle measuring rod

Package Content

Remove the machine carefully from the packaging and check the completeness of the following parts:

- * Circular saw
- * Parallel guide
- * 1 circular-saw blade
- * Warranty certificate
- * Operating instructions
- * Allen wrench
- * EC Declaration

If some parts are missing or are damaged, please contact the vendor where you purchased the machine.

4. SAFETY INSTRUCTIONS

Before use, please read these safety instructions and keep them in a safe place.

- ⚠ ATTENTION!** This symbol indicates risk of injury or damage to the equipment.
- ⚠ ATTENTION!** Upon failure to follow the instructions specified in this manual, there is a risk of injury.
- ⚠ ATTENTION!** Electric circular saw conforms to applicable technical regulations and standards.
- ⚠ ATTENTION!** Before putting the circular saw aside, make sure all moving parts have stopped.

Special Safety Instructions for Operation of the Circular Saw

- ⚠ ATTENTION!** Risk of Injury! Turn off the saw and unplug the plug from the outlet before attempting to install or remove the circular-saw blade. This way you prevent the circular saw from being accidentally started.
- * The root of the circular-saw blade should always be in tight contact with the cut material.
- * Keep your hands away from the circular-saw blade.
- * Never touch the bottom of the material during cutting.
- * Make sure the circular-saw blade is sharp, undamaged and correctly adjusted. Otherwise, the cutting edge could break and cause damage to the circular saw or operator's injury.
- * Do not touch the circular-saw blade immediately after cutting. It could be hot.
- * Remove the adjustment key from the saw before starting the work.
- * Some machined materials may contain preservative substances which could be toxic. Avoid inhaling saw-dust while machining such materials.
- * When cutting thin materials, make sure that the cut-off parts do not get into the retractable guard of the saw.
- ⚠ ATTENTION!** Wear dust mask and protective goggles while performing dusty work. Wear protective goggles conforming to DIN 58214 standard. If the circular saw is used without eye protection, foreign particles could get lodged in your eyes (such as cuttings or matchwood). This could permanently damage your eyesight. Using protective goggles that do not conform to DIN standard could result in serious injury for the reasons of possible shattering of the protective glass.
- ⚠ ATTENTION!** Choose appropriate circular-saw blade for the work you intend to do. Use this circular saw only for cutting wood, wooden materials and soft metals such as aluminium. Other materials could tear, rip or spring up, get hitched on the circular-saw blade or cause other danger.

- ⚠ **ATTENTION!** Do not use grinding discs
 - The arrow on the circular-saw blade indicating the running direction must indicate the same direction as the arrow on the circular-saw guard. The teeth of the circular-saw blade must match the running direction of the saw (downwards and forward).
 - Keep the circular-saw blade and the clamping surface of the flange clean. The flange of the circular-saw blade must always fit inwards into the rotating dropping guard (towards the circular-saw blade).
 - Make sure that all clamping devices and locking devices have been tightened and that no parts shows excessive idle travel.
- ⚠ **ATTENTION!** Never cut objects while holding them in your hand.
- ⚠ **ATTENTION!** Make sure that the already cut-off parts cannot get into contact with the circular-saw blade as they may be caught by the circular-saw blade and sprung up.
- ⚠ **ATTENTION!** Never cut more than one piece of material at the same time.
- ⚠ **ATTENTION!** Be especially careful when cutting large, very small or irregular pieces.
- ⚠ **ATTENTION!** No nails or other foreign objects may be present in the part of the machined piece to be cut.
- ⚠ **ATTENTION!** No persons are allowed to stay near or behind the circular saw where saw dust and cuttings are thrown away.
- ⚠ **ATTENTION!** Do not use the circular saw for cutting fire wood.
- ⚠ **ATTENTION!** Do not attempt to stop the circular-saw blade from rotating by exerting pressure to its lateral face.
- ⚠ **ATTENTION!** Do not use circular-saw blades which do not conform, in terms of dimensions and shape, to the requirements of this tool. Before cutting, fix the work-piece firmly e.g. using clamps (they are not part of the supply).
- ⚠ **ATTENTION!** Keep your hands away from the cutting area and from the circular-saw blade. Use your other hand to hold the auxiliary handle or the engine cover. If you hold the circular saw with your both hands, they cannot be cut by the circular-saw blade.
- ⚠ **ATTENTION!** Adjust the cutting depth to at least the thickness of the processed material.
- ⚠ **ATTENTION!** If you carry out work during which the tool could get into contact with hidden electric wiring or its own cord, hold the power tool by insulated gripping surfaces intended for holding.
- ⚠ **ATTENTION!** Maintain a firm grip with both hands on the saw and position your arms to resist kickback forces. Position your body to either side of the circular-saw blade but not in line with the circular-saw blade.

- ⚠ **ATTENTION!** During longitudinal cutting, always use the longitudinal guide scale or straight guide rail.
- ⚠ **ATTENTION!** Never use damaged or incorrect washers or clamping bolts.
- ⚠ **ATTENTION!** If the circular-saw blade is pinched or when interrupting a cut for other reason, release the trigger and hold the saw motionless in the material until the blade comes to a complete stop.
- ⚠ **ATTENTION!** Never attempt to remove the saw from the work or pull the saw backward while the blade is in motion. A kickback may occur.
- ⚠ **ATTENTION!** When restarting the saw in a work-piece, centre the saw blade in the kerf and check that saw teeth are not engaged into the material.
- ⚠ **ATTENTION!** Support large panels to minimize the risk of blade pinching or kickback.
- ⚠ **ATTENTION!** Do not use dull or otherwise damaged blades.
- ⚠ **ATTENTION!** Blade depth and bevel adjusting locking levers must be tight and secure before making a cut.
- ⚠ **ATTENTION!** Use extra caution especially when making a "plunge cut", e.g. cut into existing walls or blind areas.
- ⚠ **ATTENTION!** Never operate the saw without the blade guard attached.

Lower guard

- ⚠ **ATTENTION!** Check lower guard for proper closing before each use.
- ⚠ **ATTENTION!** Do not operate the saw if the lower guard does not move freely and close instantly! Never clamp or tie the lower guard into the open position.
- ⚠ **ATTENTION!** Check the operation of the lower guard spring. If the guard and the spring are not operating properly, they must be repaired before use.
- ⚠ **ATTENTION!** Lower guard should be retracted manually only for special cuts such as "plunge cuts" or "compound cuts". Raise the lower guard by the lower guard lift lever and as soon as the blade enters the material, the lower guard must be released.
- ⚠ **ATTENTION!** Always observe that the lower guard is covering the blade before placing saw down on the bench or floor.

Riving knife

- ⚠ **ATTENTION!** Use appropriate riving knife for the circular-saw blade used.
- ⚠ **ATTENTION!** Adjust the riving knife as indicated in the instructions for use.

- ⚠ **ATTENTION!** Except for plunge cuts, always use the riving knife.
- ⚠ **ATTENTION!** In order for the riving knife to work, it must fit into the cut-out in the processed piece.
- ⚠ **ATTENTION!** Do not operate the saw if the riving knife is bent.
- ⚠ **ATTENTION!** Make sure that the riving knife is so adjusted that the distance between the riving knife and the blade rim is not greater than 5 mm and the blade rim does not reach out behind the lower edge of the riving knife by more than 5 mm.
- ⚠ **ATTENTION!** When replacing the circular-saw blade, make sure that the cut width is not smaller than the depth of the riving knife.

Avoid the kickback of the saw.

- ⚠ **ATTENTION!** Kickback occurs when a force is exerted against the saw blade causing a quick and unexpected lift up of the wood. Kickback is very dangerous but can be minimised if you identify its causes and avoid them.
- ✿ The root of the circular-saw blade should always be in tight contact with the cut material
- ✿ Always hold the saw with your both hands. Support the cut parts by large panels.
- ✿ Be careful when cutting long parts which can be bent, twisted or pinch the circular-saw blade.
- ✿ Never cut in the centre of the supported piece of wood. The wood could bend over and pinch the circular-saw blade.
- ✿ Never cut overhead.
- ✿ Do not exert pressure upon the saw. Let the circular-saw blade work at its own rate.
- ✿ Secure the flange using clamps or cramp to avoid vibrations and irregular cuts.
- ✿ Do not let the blade leave the cutting line as it could cause the saw jump out of the kerf.
- ✿ Before cutting, check the wood and remove all bolts, clamps and nails.
- ✿ Replace the circular-saw blade if it is dull.
- ✿ Only use circular-saw blades according to EN 847-1 and never use circular-saw blades made of high speed steel - HSS.
- ⚠ **ATTENTION!** Wear hearing protection to reduce the risk of impaired hearing! Use protection against dangerous dust inhaling.
- ⚠ **ATTENTION!** Wear gloves when working with circular-saw blades and roughly machined materials - circular-saw blades should be carried in holders, if possible.
- ⚠ **ATTENTION!** Use means of protection against noise, dust and vibrations !!!
- ⚠ **ATTENTION!** Keep these safety instructions.

5. USE AND OPERATION

The circular saw is supplied with a circular-saw blade intended for making straight cuts in wooden materials. After replacement of the circular-saw blade, you can also cut plastics, thermoplastics, hard plastics, laminate, polyurethane foam boards, mineral wool insulation boards, cement bricks, cellular concrete and products made of non-ferrous metals. The saw is intended for household or hobby use only. Any other use is strictly prohibited.

Portable circular saw operation

- * Turn on the saw and allow the blade to reach full speed before starting the cut, i.e. before the blade touches the material.
- * Do not exert too much force upon the saw, give it enough time for cutting.
- * Hold the saw with your both hands using both handles. This is the best way to control the saw.
- * The part being cut automatically applies pressure the retractable guard of the machine.
- * During cutting, push the circular saw evenly and smoothly forward.
- * The part to be cut off must be on the right-hand side of the saw so that the wide part of the base plate is fully supported.

Attaching the parallel guide (see Fig. 3)

- * The parallel guide /6/ allows cuts parallel to the edge the distance of which does not exceed 10 cm.
- * Loosen the adjustment knob /5/- clockwise direction
- * Insert the parallel guide /6/ into the saw base /8/ .
- * Adjust the parallel guide at the desired distance and tighten the adjustment knob /5/ - anticlockwise
- * Unscrew the adjusting screw.
- * Adjust the parallel stop according to the scale taking also into account the circular-saw blade width.

⚠ ATTENTION! Before making a clean cut, perform a testing cut using a material chunk.

Blade replacement (see Fig. 5)

⚠ ATTENTION! Before the blade replacement, always disconnect the saw from the mains.

⚠ ATTENTION! Use only sharp and undamaged blades. Cracked or bent blades must be immediately replaced.

⚠ ATTENTION! Make sure that the spindle diameter matches the blade hole.

- * Secure the clamping nut using the flange wrench 14 and loosen it using the Allen wrench 13 anticlockwise.
- * Retract the blade guard and remove the blade stud, washer and flange.
- * Remove the old saw blade and insert a new blade. Make sure the direction of the teeth matches the rotation direction indicated by an arrow on the fixed blade guard.
- * Press down the shaft lock lever. Close the blade guard.
- * Insert the flange, washer and blade stud and tighten firmly.

Cut depth adjustment (see Fig. 6)

- * Loosen the adjusting screw /10/ - anticlockwise.
- * Move the base /8/ downwards.
- * Using the scale, adjust the desired cut depth. The upper cutting line must protrude from the material by approx. 2 mm and tighten the adjusting screw /4/
- * Maximum cut depth is attained by adjusting the bevel at 45°.

Bevel adjustment (see Fig. 7)

- * Unscrew the adjusting screw /4/.
- * Adjust the desired bevel according to the scale /16/ in the range 0-45°.
- * Tighten the adjusting screw /4/.

Riving knife adjustment

- * Open the lower blade guard and hold it firmly.
- * Unscrew the screws.
- * Adjust the riving knife and tighten the screws.

Before switching the tool on

Before switching the machine on, make sure the circular-saw blade is correctly mounted, that all moving parts move freely and that all adjusting screws are firmly tightened.

Starting and stopping the tool (see Fig. 8)

The tool is equipped with double-acting safety switch: the saw can only be started if you hold the handle firmly and press both safety switches. After releasing the handle, the saw is automatically switched off to prevent accidental machine operation.

Replacement of carbon brushes

- ⚠ **ATTENTION!** In case of carbon brush seasoning, immediately switch off the saw and contact the nearest service centre of FAST ČR, a.s. or your nearest vendor.
- ✿ Use only correct types of carbon brushes.
- ✿ After attaching new carbon brushes, let the saw run on idle for approx. 5 minutes.

6. CLEANING AND MAINTENANCE

- ✿ Keep the engine vent holes clean and dust-free.
- ✿ If the circular-saw blade is damaged, replace it immediately by a new blade of the same type.
- ⚠ **ATTENTION!** Before cleaning and maintenance, always unplug the supply cable of the tool from the socket.
- ✿ The tool requires no special maintenance, just wipe the cover of the tool with a wet cloth on a regular basis.
- ✿ Clean the vent holes on a regular basis.
- ✿ Never clean any part of the tool using a hard, sharp or rough object.

CLEANING AND MAINTENANCE TIPS

- ✿ Store the tool, accessories and instructions for use in the original packaging to ensure you always have all necessary parts and information.
- ✿ If the tool is not used for a long time, do not store it in places with high temperatures.
- ✿ If practicable, store the tool in a place with constant temperature and humidity.
- ✿ Avoid contact of the tool with humidity and water. Follow the instructions specified in this operating manual

7. TECHNICAL DATA

ELECTRICAL CIRCULAR SAW:	
Power supply	230V/50Hz
Power input	1 300W
Speed	4 500rpm
Protection class	II
Blade Diameter	185 mm
Cutting capacity	45mm at 90 degree, 28mm at 45 degree
Power supply cable length	1.8m
Declared noise level	106.5dB(A)
Vibration	$a_h=2.462 \text{ ms}^{-2}$, $k=1.5 \text{ ms}^{-2}$

Instructions Manual - language version only.

Amendments to text and technical parameters are reserved.

Changes in the text, design and technical specifications may change without prior notice and we reserve the right to make these changes. keep it from turning as the drill bit rotates.

Troubleshooting

Suspected malfunctions are often due to causes the user can fix themselves. Therefore check the product using this section .In most cases the problem can be solved quickly .

WARNING!

Only perform the steps described within these instruction s! All further inspection ,maintenance and repair work must be performed by an authorized service centre or a similarly qualified specialist if you cannot solve the problem yourself !

Problem	Possible Cause	Solution
1. Product does not start	1.1 Not connected to power supply 1.2 Power cord or plug is defective 1.3 Other electrical defect to the product	1.1 Connect to power supply 1.2 Check by a specialist electrician 1.3 Check by a specialist electrician
2. Product does not reach full power	2.1 Extension cord is not suitable for operation with this product . 2.2 Power source (e.g. generator) has too low voltage 2.3 Air vents are blocked	2.1 Use a proper extension cord 2.2 Connect to another power source 2.3 Clean the air vents
3. Unsatisfactory result	3.1 Disk bit is dull/damaged 3.2 Disk bit is not suitable for work piece material	3.1 Replace with new one 3.2 Use proper drill bit
4. Excessive vibration or noise	4.1 Disk bit is dull/damaged 4.2 Bolts /nuts are loose	4.1 Replace with a new one 4.2 Tighten bolts/nuts

8. LIQUIDATION

INSTRUCTIONS AND INFORMATION ON DISPOSAL OF USED PACKAGING.

Put any used package material to the place determined by the municipality for waste disposal.

DISPOSAL OF USED ELECTRIC AND ELECTRONIC EQUIPMENT



This symbol on products or accompanying documents means that used electric or electronic products must not be put to ordinary municipal waste. Hand over such products to determined collection points for proper disposal, restoration and recycling. Alternatively, in some countries of the European Union or other European countries you can return your products to your local dealer when you buy an equivalent new product. By dutiful disposal of this product you can preserve precious natural resources and you help prevent any potential adverse effects on the environment and human health which could be the results of wrong waste disposal. Ask your local authority or the nearest collection point for additional details. In case of improper disposal of this waste kind penalties can be imposed in accordance with national regulations.

For companies in the European Union countries

Should you want to dispose of electric and electronic devices, ask your dealer or vendor for necessary information. Disposal in other countries outside the European Union. Should you want to dispose of this product, ask your local authorities or your dealer for necessary information about disposal method.



This product fulfils all basic requirements of the EU directives that apply to it.

Text, design and technical specifications can change without prior notice and we reserve the right for their change.

Elektrická kotoučová pila s AC laserem

NÁVOD K OBSLUZE

Děkujeme vám, že jste si zakoupili tuto elektrickou kotočovou pilu. Než ji začnete používat, přečtěte si, prosím, pozorně tento návod k obsluze a uschovejte jej pro případ dalšího použití.

OBSAH

1. VŠEOBECNÉ BEZPEČNOSTNÍ PŘEDPISY	25
2. SYMBOLY A PIKTOGRAMY	30
3. POPIS STROJE A OBSAH DODÁVKY	31
4. BEZPEČNOSTNÍ POKYNY	31
5. POUŽITÍ A PROVOZ	35
6. ČIŠTĚNÍ A ÚDRŽBA	37
7. TECHNICKÉ ÚDAJE	38
8. LIKVIDACE	40

1. VŠEOBECNÉ BEZPEČNOSTNÍ PŘEDPISY

⚠ POZOR! Před použitím si pečlivě přečtěte návod k použití.

Důležitá bezpečnostní upozornění

- ✿ Výrobek pečlivě vybalte a dejte pozor, abyste nevyhodili žádnou část obalového materiálu dříve, než najdete všechny součásti výrobku.
- ✿ Výrobek uchovávejte na suchém místě mimo dosah dětí.
- ✿ Čtěte všechna upozornění a pokyny. Zanedbání při dodržování varovných upozornění a pokynů mohou mít za následek úraz elektrickým proudem, požár a/nebo těžká poranění.

Obal

Výrobek je umístěn v obalu bránícím poškozením při transportu. Tento obal je surovinou a lze jej proto odevzdat k recyklaci.

Návod k použití

Než začnete se strojem pracovat, přečtěte si následující bezpečnostní předpisy a pokyny k používání. Seznamte se s obslužnými prvky a správným používáním zařízení. Návod pečlivě uschovejte pro případ pozdější potřeby. Minimálně po dobu záruky doporučujeme uschovat originální obal včetně vnitřního balicího materiálu, pokladní doklad a záruční list. V případě přepravy zabalte stroj zpět do originální krabice od výrobce, zajistíte si tak maximální ochranu výrobku při případném transportu (např. stěhování nebo odeslání do servisního místa).

- 📖 Poznámka:** Předáváte-li stroj dalším osobám, předejte jej společně s návodem. Dodržování přiloženého návodu k obsluze je předpokladem řádného používání stroje. Návod k obsluze obsahuje rovněž pokyny pro obsluhu, údržbu a opravy.

Výrobce nepřebírá odpovědnost za nehody nebo škody vzniklé následkem nedodržování tohoto návodu.

OBEČNÉ BEZPEČNOSTNÍ POKYNY

Tyto bezpečnostní pokyny si pečlivě prostudujte, zapamatujte a uschovejte

⚠ UPOZORNĚNÍ! Při používání elektrických strojů a elektrického nářadí je nutno respektovat a dodržovat následující bezpečnostní pokyny z důvodů ochrany před úrazem elektrickým proudem, zraněním osob a nebezpečím vzniku požáru. Výrazem „elektrické nářadí“ je ve všech níže uvedených pokynech myšleno jak elektrické nářadí napájené ze sítě (napájecím kabelem), tak nářadí napájené z baterií (bez napájecího kabelu). Uschovejte všechna varování a pokyny pro příští použití.

Pracovní prostředí

- ✿ Udržujte pracovní prostor v čistém stavu a dobře osvětlen. Nepořádek a tmavá místa na pracovišti bývají příčinou úrazů. Ukliděte nářadí, které právě nepoužíváte.
- ✿ Nepoužívejte elektrické nářadí v prostředí s nebezpečím vzniku požáru nebo výbuchu, to znamená v místech, kde se vyskytují hořlavé kapaliny, plyny nebo prach. V elektrickém nářadí vzniká na komutátoru jiskření, které může být příčinou vznícení prachu nebo výparů.
- ✿ Při používání el. nářadí zamezte přístupu nepovolaných osob, zejména dětí, do pracovního prostoru! Budete-li vyrušováni, můžete ztratit kontrolu nad prováděnou činností. V žádném případě nenechávejte el. nářadí bez dohledu. Zabraňte zvířatům přístup k zařízení.

Elektrická bezpečnost

- ✿ Vidlice napájecího kabelu elektrického nářadí musí odpovídat síťové zásuvce. Nikdy jakýmkoliv způsobem neupravujte vidlici. K nářadí, které má na vidlici napájecího kabelu ochranný kolík, nikdy nepoužívejte rozdvojky ani jiné adaptéry. Nepoškozené vidlice a odpovídající zásuvky omezí nebezpečí úrazu elektrickým proudem. Poškozené nebo zamotané napájecí kabely zvyšují nebezpečí úrazu elektrickým proudem. Pokud je síťový kabel poškozen, je nutno jej nahradit novým síťovým kabelem, který je možné získat v autorizovaném servisním středisku nebo u dovozce.
- ✿ Vyvarujte se dotyku těla s uzemněnými předměty, jako např. potrubí, tělesa ústředního topení, sporáky a chladničky. Nebezpečí úrazu elektrickým proudem je větší, je-li vaše tělo spojeno se zemí.
- ✿ Nevystavujte elektrické nářadí dešti, vlhku nebo mokrú. Elektrického nářadí se nikdy nedotýkejte mokřými rukama. Elektrické nářadí nikdy neumývejte pod tekoucí vodou ani ho neponořujte do vody.
- ✿ Nepoužívejte napájecí kabel k jinému účelu, než pro jaký je určen. Nikdy nenoste a neřahejte elektrické nářadí za napájecí kabel. Nevytahujte vidlici ze zásuvky tahem za kabel. Zabraňte mechanickému poškození elektrických kabelů ostrými nebo horkými předměty.
- ✿ El. nářadí bylo vyrobeno výlučně pro napájení střídavým el. proudem. Vždy zkontrolujte, že elektrické napětí odpovídá údajům uvedenému na typovém štítku nářadí.

- ✿ Nikdy nepracujte s nářadím, které má poškozený el. kabel nebo vidlici, nebo spadlo na zem a je jakýmkoliv způsobem poškozené.
- ✿ V případě použití prodlužovacího kabelu vždy zkontrolujte, že jeho technické parametry odpovídají údajům uvedeným na typovém štítku nářadí. Je-li elektrické nářadí používáno venku, používejte prodlužovací kabel vhodný pro venkovní použití. Při použití prodlužovacích bubnů je nutné je rozvinout, aby nedocházelo k přehřátí kabelu.
- ✿ Je-li elektrické nářadí používáno ve vlhkých prostorech nebo venku, je povoleno jej používat pouze, pokud je zapojeno do el. obvodu s proudovým chráničem ≤ 30 mA. Použití el. obvodu s chráničem /RCD/ snižuje riziko úrazu elektrickým proudem.
- ✿ Ruční el. nářadí držte výhradně za izolované plochy určené k uchopení, protože při provozu může dojít ke kontaktu řezacího či vrtacího příslušenství se skrytým vodičem nebo s napájecí šňůrou nářadí.

Bezpečnost osob

- ✿ Při používání elektrického nářadí buďte pozorní a ostražití, věnujte maximální pozornost činnosti, kterou právě provádíte. Soustřeďte se na práci. Nepracujte s elektrickým nářadím pokud jste unaveni, nebo jste-li pod vlivem drog, alkoholu nebo léků. I chvilková nepozornost při používání elektrického nářadí může vést k vážnému poranění osob. Při práci s el. nářadím nejezte, nepijte a nekuřte.
- ✿ Používejte ochranné pomůcky. Vždy používejte ochranu zraku. Používejte ochranné prostředky odpovídající druhu práce, kterou provádíte. Ochranné pomůcky jako např. respirátor, bezpečnostní obuv s protiskluzovou úpravou, pokrývka hlavy nebo ochrana sluchu používané v souladu s podmínkami práce snižují riziko poranění osob.
- ✿ Vyvarujte se neúmyslného zapnutí nářadí. Nepřenášejte nářadí, které je připojeno k elektrické síti, s prstem na spínači nebo na spoušti. Před připojením k elektrickému napájení se ujistěte, že spínač nebo spoušť jsou v poloze „vypnuto“. Přenášení nářadí s prstem na spínači nebo zapojování vidlice nářadí do zásuvky se zapnutým spínačem může být příčinou vážných úrazů.
- ✿ Před zapnutím nářadí odstraňte všechny seřizovací klíče a nástroje. Seřizovací klíč nebo nástroj, který zůstane připevněn k otáčející se části elektrického nářadí může být příčinou poranění osob.
- ✿ Vždy udržujte stabilní postoj a rovnováhu. Pracujte jen tam, kam bezpečně dosáhnete. Nikdy nepřeceňujte vlastní sílu. Nepoužívejte elektrické nářadí, jste-li unaveni.
- ✿ Oblékejte se vhodným způsobem. Používejte pracovní oděv. Nenoste volné oděvy ani šperky. Dbejte na to, aby se vaše vlasy, oděv, rukavice nebo jiná část vašeho těla nedostala do přílišné blízkosti rotujících nebo rozpálených částí el.nářadí.
- ✿ Připojte zařízení k odsávání prachu. Jestliže má nářadí možnost připojení zařízení pro zachycování nebo odsávání prachu, zajistěte, aby došlo k jeho řádnému připojení a používání. Použití těchto zařízení může omezit nebezpečí vznikající prachem.
- ✿ Pevně upevněte obrobek. Použijte truhlářskou svěrku nebo svěrák pro upevnění dílu, který budete obrábět.

- ✿ Nepoužívejte elektrické nářadí pokud jste pod vlivem alkoholu, drog, léků nebo jiných omamných či návykových látek.
- ✿ Toto zařízení není určené pro použití osobami (včetně dětí) se sníženými fyzickými, smyslovými nebo mentálními schopnostmi nebo s nedostatkem zkušeností a znalostí, pokud nejsou pod dozorem nebo nedostali pokyny s ohledem na použití zařízení od osoby zodpovědné za jejich bezpečnost. Děti musí být pod dozorem, aby jste se ujistili, že si nehrají se zařízením.

Používání elektrického nářadí a jeho údržba

- ✿ El. nářadí vždy odpojte z el. sítě v případě jakéhokoliv problému při práci, před každým čištěním nebo údržbou, při každém přesunu a po ukončení práce! Nikdy nepracujte s el. nářadím, pokud je jakýmkoliv způsobem poškozené.
- ✿ Pokud začne nářadí vydávat abnormální zvuk nebo zápach, okamžitě ukončete práci.
- ✿ Elektrické nářadí nepřetěžujte. Elektrické nářadí bude pracovat lépe a bezpečněji, pokud jej budete provozovat v otáčkách, pro které bylo navrženo. Používejte správné nářadí, které je určeno pro danou činnost. Správné nářadí bude lépe a bezpečněji vykonávat práci, pro kterou bylo zkonstruováno.
- ✿ Nepoužívejte elektrické nářadí, které nelze bezpečně zapnout a vypnout ovládacím spínačem. Používání takového nářadí je nebezpečné. Vadné spínače musí být opraveny certifikovaným servisem.
- ✿ Odpojte nářadí od zdroje elektrické energie předtím, než začnete provádět jeho seřizování, výměnu příslušenství nebo údržbu. Toto opatření zamezí nebezpečí náhodného spuštění.
- ✿ Nepoužívané elektrické nářadí uklíďte a uschovejte tak, aby bylo mimo dosah dětí a nepovolaných osob. Elektrické nářadí v ruce nezkušených uživatelů může být nebezpečné. Elektrické nářadí skladujte na suchém a bezpečném místě.
- ✿ Udržujte elektrické nářadí v dobrém stavu. Pravidelně kontrolujte seřízení pohybujících se částí a jejich pohyblivost. Kontrolujte zda nedošlo k poškození ochranných krytů nebo jiných částí, které mohou ohrožit bezpečnou funkci elektrického nářadí. Je-li nářadí poškozeno, před dalším použitím zajistěte jeho řádnou opravu. Mnoho úrazů je způsobeno špatně udržovaným elektrickým nářadím.
- ✿ Řezací nástroje udržujte ostré a čisté. Správně udržované a naostřené nástroje usnadňují práci, omezují nebezpečí zranění a práce s nimi se snáze kontroluje. Použití jiných příslušenství než těch, která jsou uvedena v návodu k obsluze mohou způsobit poškození nářadí a být příčinou zranění.
- ✿ Elektrické nářadí, příslušenství, pracovní nástroje atd. používejte v souladu s těmito pokyny a takovým způsobem, který je předepsán pro konkrétní elektrické nářadí a to s ohledem na dané podmínky práce a druh prováděné práce. Používání nářadí k jiným účelům, než pro jaké je určeno, může vést k nebezpečným situacím.

Servis

- ✿ Nevyměňujte části nářadí, neprovádějte sami opravy, ani jiným způsobem nezasahujte do konstrukce nářadí. Opravy nářadí svěřte kvalifikovaným osobám.
- ✿ Každá oprava nebo úprava výrobku bez oprávnění naší společnosti je nepřipustná (může způsobit úraz, nebo škodu uživateli).
- ✿ Elektrické nářadí vždy nechte opravit v certifikovaném servisním středisku. Používejte pouze originální nebo doporučené náhradní díly. Zajistíte tak bezpečnost Vaši i Vašeho nářadí.

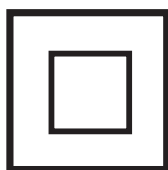
2. SYMBOLY A PIKTOGRAMY



Tento produkt je vyroben v souladu se schválenými normami.



Před použitím stroje si pozorně přečtěte návod k obsluze.



Dvojitá izolace.



Použijte ochranné pomůcky na oči



Použijte ochranné pomůcky na uši



Nevhazujte je do běžného odpadu



3. POPIS STROJE A OBSAH DODÁVKY

Popis stroje (viz obr. 1,2)

- 1 - Vypínač
- 2 - Rukojeť
- 3 - Vodící držadlo/rukojeť
- 4 - Šroub pro nastavení úhlu úkosu
- 5 - Nastavovací šroub rovnoběžného vodítka
- 6 - Rovnoběžné vodítko
- 7 - Kryt kotouče pily
- 8 - Základna pily
- 9 - Upevňovací šroub
- 10 - Šroub pro nastavení hloubky řezu
- 11 - Pojistné tlačítko
- 12 - Kryt uhlíků
- 13 - Šestihranný klíč
- 16 - Měřítka úhlu úkosu

Obsah dodávky

Stroj vyjměte opatrně z obalu a zkontrolujte, zda jsou následující díly kompletní:

- * Kotoučová pila
- * Rovnoběžné vodítko
- * 1 ks řezacího kotouče
- * Záruční list
- * Návod k obsluze
- * Šestihranný klíč
- * Prohlášení o shodě (EC)

Pokud díly chybí nebo jsou poškozeny, obraťte se, prosím, na prodejce, kde jste stroj zakoupili.

4. BEZPEČNOSTNÍ POKYNY

Před použitím si prosím přečtěte tyto bezpečnostní pokyny a pečlivě je uschovejte.

- ⚠ POZOR!** Tento symbol označuje nebezpečí zranění, nebo poškození zařízení.
- ⚠ POZOR!** V případě nedodržení pokynů uvedených v této příručce, hrozí riziko úrazu.
- ⚠ POZOR!** Elektrická ruční okružní pila odpovídá platným technickým předpisům a normám.

⚠ POZOR! Předtím, než okružní pilu odložíte, ujistěte se, že všechny pohybující se součásti zastavily svůj pohyb.

Speciální bezpečnostní pokyny k obsluze okružní pily

⚠ POZOR! Nebezpečí poranění! Vypněte pilu a vytáhněte vidlici ze zásuvky předtím, než se budete pokoušet namontovat nebo vyjmout řezný kotouč pily. Zabráníte tak náhodnému spuštění pily.

- ✿ Pata pilového kotouče pily by měla být vždy pevně v kontaktu s řezaným materiálem.
- ✿ Držte ruce v dostatečné vzdálenosti od pilového kotouče pily.
- ✿ Nikdy nesahejte na spodní stranu materiálu po dobu řezání.
- ✿ Ujistěte se, že je pilový kotouč ostrý, nepoškozený a správně nastavený. Pokud by tomu tak nebylo, ostří by se mohlo zlomit a způsobit poškození pily nebo poranění obsluhy.
- ✿ Nedotýkejte se pilového kotouče pily bezprostředně po řezání. Může být horký.
- ✿ Odstraňte nastavovací klíč z pily předtím, než s ní začnete pracovat.
- ✿ Některé obráběné materiály mohou obsahovat konzervační látky, které mohou být toxické. Vyvarujte se vdechnutí pilin při opracovávání takovýchto materiálů.
- ✿ Při řezání tenkých materiálů se ujistěte, že se odřezané části nedostanou do zasouvateľného krytu pily.

⚠ POZOR! Při vykonávání prašné práce noste protiprašnou masku a také ochranné brýle. Noste ochranné brýle, které odpovídají DIN standardu 58214. Při používání pily bez ochrany zraku mohou uvíznout v očích cizí tělesa (jako jsou např. úlomky nebo třísky). Toto může způsobit trvalé poškození zraku. Používání ochranných brýlí, které neodpovídají DIN standardu, může vést k vážnému zranění z důvodu možného roztržení ochranného skla.

⚠ POZOR! Vyberte si vhodný pilový kotouč pro tu práci, kterou chcete vykonávat. Řežte s touto pilou pouze dřevo, dřevěné materiály a měkké kovy jako hliník. Jiné materiály se mohou trhat, roztrhnout se nebo se vymrštit, zachytit se na pilovém kotouči nebo způsobit jiné nebezpečí.

⚠ POZOR! Nepoužívejte brusné kotouče

- Šipka na pilovém kotouči, která ukazuje směr otáčení, musí ukazovat stejný směr jako šipka na pilovém krytu. Zuby pilového kotouče musí být ve směru otáčení pily (směr dolů, dopředu).
- Udržujte pilový kotouč a svěrací povrch příruby čistý. Příruba pilového kotouče musí vždy zapadat do točící se padací desky směrem dovnitř (k pilovému kotouči).
- Ujistěte se, že všechna upínací zařízení a uzávěry jsou utáhnuty a že žádná část nemá příliš vůle.

⚠ POZOR! Nikdy neřežte předměty, které držíte volně v ruce.

⚠ POZOR! Ujistěte se, že se již odřezané části nemohou dostat k pilovému kotouči, neboť mohou být zachyceny pilovým kotoučem a vymrštny.

⚠ POZOR! Nikdy neřezejte více než jeden kus materiálu najednou.

⚠ POZOR! Buďte zvlášť opatrní, když řežete velké, velmi malé nebo nepravidelné kusy.

- ⚠ **POZOR!** Žádné hřebíky nebo jiné cizí předměty nesmějí být umístěny v té části opracovaného kusu, který má být řezán.
- ⚠ **POZOR!** Žádné osoby nesmějí stát v blízkosti pily nebo za pilou, kam jsou odhazovány piliny a úlomky.
- ⚠ **POZOR!** Nepoužívejte pilu na řezání palivového dřeva.
- ⚠ **POZOR!** Nesnažte se zastavit rotaci pilového kotouče tlakem na jeho boční stranu.
- ⚠ **POZOR!** Nepoužívejte pilové kotouče, které rozměrově ani tvarově neodpovídají požadavkům tohoto nářadí. Obrobek před řezem pevně upevněte, např. pomocí svorek /nejsou součástí dodávky/.
- ⚠ **POZOR!** Držte ruce stranou od řezací oblasti a od pilového kotouče. Svou druhou rukou držte pomocnou rukojeť nebo kryt motoru. Pokud držíte pilu oběma rukama, nemohou být pořezány pilovým kotoučem.
- ⚠ **POZOR!** Nastavte hloubku řezu min. na tloušťku zpracovaného materiálu.
- ⚠ **POZOR!** Pokud vykonáváte práci, při které se nářadí může dostat do kontaktu se skrytým elektrickým vedením nebo se svou vlastní síťovou šňůrou, držte elektrické nářadí v místech s izolovanými povrchem určeným na uchopení.
- ⚠ **POZOR!** Zachovejte pevné sevření pily oběma rukama a dejte svá ramena do takové polohy, abyste vzdorovali síle zpětného nárazu. Je třeba se postavit po jedné nebo druhé straně pilového kotouče, ale ne v jedné rovině s pilovým kotoučem.
- ⚠ **POZOR!** Při podélném řezání používejte vždy podélné vodící pravitko nebo rovnou vodící lištu.
- ⚠ **POZOR!** Nikdy nepoužívejte poškozené a nesprávné podložky nebo svorníky.
- ⚠ **POZOR!** Pokud je pilový kotouč sevřený nebo je řezání z jiných důvodů přerušeno, uvolněte vypínač a držte pilu bez pohybu v materiálu, dokud se pilový kotouč úplně nezastaví.
- ⚠ **POZOR!** Nikdy se nepokoušejte pilu vyjmout ze záběru nebo vytahovat pilu zpět, pokud je pilový kotouč v pohybu. Může dojít ke zpětnému nárazu.
- ⚠ **POZOR!** Pokud chcete znovu spustit pilu, která je zavedena v opracovávaném kuse, vycentrujte pilový kotouč ve výřezu a ověřte, že zuby kotouče nejsou zaseknuté v materiálu.
- ⚠ **POZOR!** Podepřete velké panely, abyste minimalizovali nebezpečí sevření kotouče nebo zpětného nárazu.
- ⚠ **POZOR!** Nepoužívejte tupé nebo jinak poškozené pilové kotouče.
- ⚠ **POZOR!** Před vykonáním řezu pevně dotáhněte páky nastavení hloubky pilového kotouče a páčky na nastavení zešikmení řezání.
- ⚠ **POZOR!** Buďte opatrní zejména tehdy, když provádíte řezy doprostřed materiálu, např. existujících stěn nebo skrytých oblastí.
- ⚠ **POZOR!** S pilou nikdy nepracujte bez nasazeného krytu pilového kotouče.

Spodní ochranný kryt

- ⚠ **POZOR!** Před každým používáním ověřte, jestli se spodní ochranný kryt správně zavírá.
- ⚠ **POZOR!** Nepoužívejte pilu, pokud se spodní ochranný kryt nepohybuje volně a ihned se nezavírá! Nikdy nesvírejte nebo nepřivazujte spodní ochranný kryt do otevřené polohy.
- ⚠ **POZOR!** Ověřte funkci pružiny spodního ochranného krytu. Pokud ochranný kryt a pružina náležitě nepracují, musí se před použitím opravit.
- ⚠ **POZOR!** Spodní ochranný kryt se má odtahovat ručně pouze při speciálních řezech, jedná se např. vyřezávání otvorů doprostřed materiálu nebo při složitých úhlových řezech. Zdvihněte spodní ochranný kryt pomocí odtahovací rukojeti a jakmile co pilový kotouč vnikne do materiálu, musí se spodní ochranný kryt uvolnit.
- ⚠ **POZOR!** Než uložíte pilu na pracovní stůl nebo podlahu, vždy si všimněte, jestli spodní ochranný kryt pokrývá pilový kotouč.

Rozpírací klín

- ⚠ **POZOR!** Používejte vhodný rozpírací klín pro používaný pilový kotouč.
- ⚠ **POZOR!** Nastavte rozpírací klín tak, jak je uvedeno v návodě na obsluhu.
- ⚠ **POZOR!** Kromě ponorného zařezávání, používejte vždy rozpírací klín.
- ⚠ **POZOR!** Aby rozpírací klín fungoval, musí zapadat do výřezu ve zpracovaném kuse.
- ⚠ **POZOR!** Nepracujte s pilou, pokud je rozpírací klín ohnutý.
- ⚠ **POZOR!** Ujistěte se o tom, že rozpírací klín je nastavený tak, aby vzdálenost mezi rozpíracím klínem a věncem pilového kotouče nebyla větší než 5 mm, a věnec pilového kotouče nezasahuje víc než 5 mm za spodní okraj rozpíracího klínu.
- ⚠ **POZOR!** Při výměně pilového kotouče dávejte pozor, aby šířka řezu nebyla menší než je hloubka rozpíracího klína.

Vyhnete se zpětnému rázu pily

- ⚠ **POZOR!** Ke zpětnému rázu dojde, pokud se přitlačí silou na kotouč pily, což způsobí rychlé a neočekávané vyskočení dřeva. Zpětný ráz je velmi nebezpečný, ale je možné ho minimalizovat, když poznáte jeho příčiny a vyhnete se jim.
- ✿ Pata pilového kotouče pily by měla být vždy pevně v kontaktu s řezaným materiálem
- ✿ Vždy držte pilu oběma rukama. Řezané části podložte velkými panely.
- ✿ Dávejte pozor, když řežete dlouhé části, které se můžou ohnout, skroutit nebo sevřít pilový kotouč pily.
- ✿ Nikdy neřežte ve středu mezi podloženým kusem dřeva. Dřevo se může přehnout a způsobit sevření kotouče pily.
- ✿ Nikdy neřežte nad hlavou.
- ✿ Netlačte na pilu. Nechte pilový kotouč pily pracovat vlastní rychlostí.
- ✿ Zajistěte obrubu pomocí svorek nebo svěráku, vyhnete se tak vibracím a nerovným řezům.
- ✿ Otáčející se kotouč nevybočujte z řezné linie, může to způsobit, že pila vyskočí z řezu.
- ✿ Před řezáním zkontrolujte dřevo a odstraňte z něj všechny šrouby, svorky a hřebíky.

- * Vyměňte pilový kotouč pily, pokud bude tupý.
- * Používejte pouze pilové kotouče podle EN 847-1 a nikdy nepoužívejte pilové kotouče vyrobené z rychlořezné oceli (High Speed Steel – HSS).
- ⚠ **POZOR!** Používejte ochranu sluchu na snížení rizika jeho poškození! Používejte ochranu proti vdychování nebezpečného prachu.
- ⚠ **POZOR!** Při práci s pilovými kotouči a hrubě opracovanými materiály noste rukavice - pilové kotouče pokud možno noste v držákách.
- ⚠ **POZOR!** Používejte ochranné prostředky proti hluku, prachu a vibracím !!!
- ⚠ **POZOR!** Tyto bezpečnostní pokyny uschovejte.

5. POUŽITÍ A PROVOZ

Ruční okružní pila je dodána s řezným kotoučem, určeným k provádění přímých řezů v dřevěných materiálech. Po výměně řezného kotouče můžete také řezat plasty, termoplasty, tvrdé plasty, laminát, desky z tvrdé pěny, izolační desky z minerální vlny, cementové desky, pórovitý beton a výrobky z neželezných kovů. Pila je určena pouze pro domácí nebo hobby použití. Jakékoli jiné použití pily je přísně zakázáno.

Práce s ruční okružní pilou

- * Zapněte pilu a nechte ji dosáhnout plných otáček předtím než začnete řezat, t.z. než se kotouč dotkne materiálu.
- * Na pilu příliš netlačte, dopřejte jí dostatek času k řezu.
- * Pilu držte s oběma rukama na obou držadlech. Tak se pila nejlépe ovládá.
- * Řezaný díl automaticky tlačí na sklopný kryt stroje.
- * Při řezání rovnoměrně a hladce tlačte okružní pilu směrem vpřed.
- * Díl, který chcete odříznout, musí být po pravé straně pily tak, aby široká část základové desky byla celá umístěna na ploše.

Nasazení rovnoběžného vodítka (viz. obr. 3)

- * Rovnoběžné vodítko /6/ umožňuje řezy rovnoběžné s okrajem vzdáleným max. 10 cm.
- * Uvolněte nastavovací šroub /5/- směrem doprava
- * Vložte rovnoběžné vodítko /6/ do základny pily /8/ .
- * Nastavte rovnoběžné vodítko na požadovanou vzdálenost a utáhněte nastavovací šroub /5/ - šroubem směrem doleva
- * Odšroubujte seřizovací šroub.
- * Nastavte paralelní doraz dle měřítka, vezměte v úvahu také tloušťku řezného kotouče.
- ⚠ **POZOR!** Před řezáním načisto nejprve proveďte zkušební řez na odřezku materiálu.

Výměna kotouče pily (viz. obr. 5)

- ⚠ **POZOR!** Před výměnou kotouče vždy odpojte pilu ze sítě.
- ⚠ **POZOR!** Používejte pouze ostré a nepoškozené kotouče. Prasklé nebo ohnuté kotouče je nutno okamžitě vyměnit.
- ⚠ **POZOR!** Přesvědčte se, že průměr vřetena a otvor kotouče si odpovídají.
- ✿ Zajistěte upínací matici přírubovým klíčem 14 a uvolněte jej šestihranným klíčem 13. a uvolněte protisměru hodinových ručiček
- ✿ Odtáhněte ochranný kryt kotouče a vyjměte upevňovací šroub, podložku i přírubu.
- ✿ Vyjměte starý kotouč pily a vložte nový kotouč tak, aby zuby směřovaly ve směru rotace podle šipky na pevném krytu kotouče.
- ✿ Stlačte páku zámku hřídele. Zavřete ochranný kryt kotouče
- ✿ Vložte přírubu, podložku a upevňovací šroub a pevně utáhněte.

Nastavení hloubky řezu (viz. obr. 6)

- ✿ Uvolněte seřizovací šroub /10/ - směrem doleva.
- ✿ Posuňte základnu /8/směrem dolů.
- ✿ Pomocí měřítka nastavte požadovanou hloubku řezu. Horní linie řezu musí o cca 2 mm vyčnívat z dřevěného materiálu a utáhněte seřizovací šroub /4/
- ✿ Max. hloubky řezu dosáhnete nastavením úhlu úkosu na 45°.

Nastavení úhlu úkosu (viz. obr. 7)

- ✿ Odšroubujte seřizovací šroub /4/.
- ✿ Požadovaný úhel úkosu nastavte podle měřítka /16/ v rozpětí 0-45°.
- ✿ Utáhněte seřizovací šroub /4/.

Seřízení rozvíracího klínu

- ✿ Otevřete sklopný kryt a pevně jej držte.
- ✿ Odšroubujte šrouby.
- ✿ Nastavte rozvírací klín a zašroubujte šrouby.

Před zapnutím nářadí

Před zapnutím stroje se ujistěte, že je řezný kotouč správně upevněn, že se všechny pohyblivé části volně pohybují a že všechny seřizovací šrouby jsou pevně utaženy.

Spuštění a vypnutí nářadí (viz. obr. 8)

Nástroj je vybaven dvojitým bezpečnostním spínačem: pilu lze spustit pouze v případě, že pevně držíte rukojeť a tlačíte na obě bezpečnostní tlačítka. Po uvolnění rukojeti se pila automaticky vypne, takže nemůže dojít k náhodnému provozu stroje.

Výměna uhlíků

- ⚠ **POZOR!** Pokud dojde k zahoření uhlíků, ihned pilu vypněte a obraťte se na nejbližší servis společnosti FAST ČR, a.s. nebo nejbližšího prodejce.
- * Používejte výhradně uhlíky správného typu.
- * Po připevnění nových uhlíků nechejte pilu běžet cca. 5 min bez zátěže.

6. ČIŠTĚNÍ A ÚDRŽBA

- * Udržujte ventilační otvory motoru čisté a bez prachu.
- * Pokud dojde k poškození řezného kotouče, ihned jej vyměňte za nový kotouč stejného typu.
- ⚠ **POZOR!** Před čištěním a údržbou, vždy vytáhněte přívodní kabel nářadí ze zásuvky.
- * Nářadí nevyžaduje žádnou zvláštní údržbu, jen pravidelně otřete kryt brusky vlhkým hadříkem.
- * Pravidelně čistěte ventilační otvory.
- * Nikdy nečistěte žádnou část nářadí tvrdým, ostrým a nebo drsným předmětem.

TYPY PRO ČIŠTĚNÍ A ÚDRŽBU

- * Nářadí, příslušenství a návod k obsluze skladujte v originálním obalu, tak budete mít vždy k dispozici všechny potřebné díly i informace.
- * Při dlouhodobějším nepoužívání nářadí, neskladujte na místě, kde je vysoká teplota.
- * Pokud to lze skladujte nářadí na místě se stálou teplotou a vlhkostí.
- * Braňte kontaktu brusky s vlhkostí a vodou. Dodržujte pokyny uvedené v tomto návodu k obsluze

7. TECHNICKÉ ÚDAJE

ELEKTRICKÁ KOTOUČOVÁ PILA :	
Napájení	230 V/50 Hz
Příkon	1300 W
Otáčky motoru	4 500 ot./min
Třída ochrany	Třída ochrany
Řezný kotouč	Ø 185 mm
Maximální hloubka řezu	45 mm při 90°, 28mm při 45°
Délka napájecího kabelu	1,8 m
Deklarovaná úroveň hluku	106.5 dB(A)
Vibrace	$a_h=2.462 \text{ ms}^{-2}$, $k=1.5 \text{ ms}^{-2}$

Návod k použití v originálním jazyce.

Změna textu a technických parametrů vyhrazena.

Změny v textu, designu a technických specifikacích se mohou měnit bez předchozího

upozornění a vyhražujeme si právo na jejich změnu.

Řešení problémů

Předpokládané poruchy mají často příčiny, které uživatel zvládne vyřešit vlastními silami. Zkuste proto výrobek zkontrolovat s použitím této sekce. Ve většině případů je možné problém rychle odstranit.

UPOZORNĚNÍ!

Provádějte pouze kroky popsané tímto návodem! V případě, že nejste schopni problém vyřešit sami, pak jakékoli další kontroly, údržby a opravy musejí být prováděny autorizovaným servisním centrem nebo odborníkem s odbornou kvalifikací!

Problém	Možná příčina	Řešení
1. Produkt se nespustí	1.1 Nezapojeno do elektrické sítě 1.2 Vadný napájecí kabel nebo zástrčka 1.3 Jiná závada elektrického napájení	1.1 Zapojte do elektrické sítě 1.2 Nechte zkontrolovat elektrikářem 1.3 Nechte zkontrolovat elektrikářem
2. Produkt nedosáhne plného výkonu	2.1 Prodlužovací kabel není v hodný pro provoz s tímto produktem. 2.2 Zdroj napájení (např. generátor) má příliš nízké napětí 2.3 Větrací průduchy jsou blokovány	2.1 Používejte náležitý prodlužovací kabel 2.2 Zapojte do jiného zdroje napájení 2.3 Vyčistěte větrací průduchy
3. Neuspokojivý výsledek	3.1 Kotouč je opotřebený /poškozený 3.2 Kotouč není vhodný pro materiál určený k obrábění	3.1 Vyměňte za nový 3.2 Používejte náležitý vrták
4. Nadměrné vibrace nebo hluk	4.1 Vrták je tupý/poškozený 4.2 Šrouby/matice jsou uvolněné	4.1 Vyměňte za nový 4.2 Utáhněte šrouby/matice

8. LIKVIDACE

POKYNY A INFORMACE O NAKLÁDÁNÍ S POUŽITÝM OBALEM

Použitý obalový materiál odložte na místo určené obcí k ukládání odpadu.

LIKVIDACE POUŽITÝCH ELEKTRICKÝCH A ELEKTRONICKÝCH ZAŘÍZENÍ



Tento symbol na produktech anebo v průvodních dokumentech znamená, že použité elektrické a elektronické výrobky nesmí být přidány do běžného komunálního odpadu. Ke správné likvidaci, obnově a recyklaci předejte tyto výrobky na určená sběrná místa. Alternativně v některých zemích Evropské unie nebo jiných evropských zemích můžete vrátit své výrobky místnímu prodejci při koupi ekvivalentního nového produktu. Správnou likvidací tohoto produktu pomůžete zachovat cenné přírodní zdroje a napomáháte prevenci potenciálních negativních dopadů na životní prostředí a lidské zdraví, což by mohly být důsledky nesprávné likvidace odpadů. Další podrobnosti si vyžádejte od místního úřadu nebo nejbližšího sběrného místa. Při nesprávné likvidaci tohoto druhu odpadu mohou být v souladu s národními předpisy uděleny pokuty.

Pro podnikové subjekty v zemích Evropské unie

Chcete-li likvidovat elektrická a elektronická zařízení, vyžádejte si potřebné informace od svého prodejce nebo dodavatele. Likvidace v ostatních zemích mimo Evropskou unii Tento symbol je platný v Evropské unii. Chcete-li tento výrobek zlikvidovat, vyžádejte si potřebné informace o správném způsobu likvidace od místních úřadů nebo od svého prodejce.



Tento výrobek splňuje veškeré základní požadavky směrnic EU, které se na něj vztahují.

Změny v textu, designu a technických specifikacích se mohou měnit bez předchozího upozornění a vyhrazujeme si právo na jejich změnu.

Elektrická kotúčová pila s AC laserom

NÁVOD NA OBSLUHU

Ďakujeme vám, že ste si zakúpili túto elektrickú kotúčovú pílu. Skôr, než ju začnete používať, prečítajte si prosím pozorne tento návod na obsluhu a uschovajte ho pre prípad ďalšieho použitia.

OBSAH

1. VŠEOBECNÉ BEZPEČNOSTNÉ PREDPISY	43
2. SYMBOLY A PIKTOGRAMY	48
3. POPIS STROJA A OBSAH DODÁVKY	49
4. BEZPEČNOSTNÉ POKYNY	49
5. POUŽITIE A PREVÁDZKA	53
6. ČISTENIE A ÚDRŽBA	56
7. TECHNICKÉ ÚDAJE	57
8. LIKVIDÁCIA	59

1. VŠEOBECNÉ BEZPEČNOSTNÍ PŘEDPISY

⚠ POZOR! Před použitím si pečlivě přečtěte návod k použití.

Důležitá bezpečnostní upozornění

- ✿ Výrobek pečlivě vybalte a dejte pozor, abyste nevyhodili žádnou část obalového materiálu dříve, než najdete všechny součásti výrobku.
- ✿ Výrobek uchovávejte na suchém místě mimo dosah dětí.
- ✿ Čtěte všechna upozornění a pokyny. Zanedbání při dodržování varovných upozornění a pokynů mohou mít za následek úraz elektrickým proudem, požár a/nebo těžká poranění.

Obal

Výrobek je umístěn v obalu bránícím poškozením při transportu. Tento obal je surovinou a lze jej proto odevzdat k recyklaci.

Návod k použití

Než začnete se strojem pracovat, přečtěte si následující bezpečnostní předpisy a pokyny k používání. Seznamte se s obslužnými prvky a správným používáním zařízení. Návod pečlivě uschovejte pro případ pozdější potřeby. Minimálně po dobu záruky doporučujeme uschovat originální obal včetně vnitřního balicího materiálu, pokladní doklad a záruční list. V případě přepravy zabalte stroj zpět do originální krabice od výrobce, zajistěte si tak maximální ochranu výrobku při případném transportu (např. stěhování nebo odeslání do servisního místa).

- 📖 Poznámka:** Předáváte-li stroj dalším osobám, předejte jej společně s návodem. Dodržování přiloženého návodu k obsluze je předpokladem řádného používání stroje. Návod k obsluze obsahuje rovněž pokyny pro obsluhu, údržbu a opravy.

Výrobce nepřebírá odpovědnost za nehody nebo škody vzniklé následkem nedodržování tohoto návodu.

OBEČNÉ BEZPEČNOSTNÍ POKYNY

Tyto bezpečnostní pokyny si pečlivě prostudujte, zapamatujte a uschovejte

⚠ UPOZORNĚNÍ! Při používání elektrických strojů a elektrického nářadí je nutno respektovat a dodržovat následující bezpečnostní pokyny z důvodů ochrany před úrazem elektrickým proudem, zraněním osob a nebezpečím vzniku požáru. Výrazem „elektrické nářadí“ je ve všech níže uvedených pokynech myšleno jak elektrické nářadí napájené ze sítě (napájecím kabelem), tak nářadí napájené z baterií (bez napájecího kabelu). Uschovejte všechna varování a pokyny pro příští použití.

Pracovní prostředí

- ✿ Udržujte pracovní prostor v čistém stavu a dobře osvětlen. Nepořádek a tmavá místa na pracovišti bývají příčinou úrazů. Ukliděte nářadí, které právě nepoužíváte.
- ✿ Nepoužívejte elektrické nářadí v prostředí s nebezpečím vzniku požáru nebo výbuchu, to znamená v místech, kde se vyskytují hořlavé kapaliny, plyny nebo prach. V elektrickém nářadí vzniká na komutátoru jiskření, které může být příčinou vznícení prachu nebo výparů.
- ✿ Při používání el. nářadí zamezte přístupu nepovolaných osob, zejména dětí, do pracovního prostoru! Budete-li vyrušováni, můžete ztratit kontrolu nad prováděnou činností. V žádném případě nenechávejte el. nářadí bez dohledu. Zabraňte zvířatům přístup k zařízení.

Elektrická bezpečnost

- ✿ Vidlice napájecího kabelu elektrického nářadí musí odpovídat síťové zásuvce. Nikdy jakýmkoliv způsobem neupravujte vidlici. K nářadí, které má na vidlici napájecího kabelu ochranný kolík, nikdy nepoužívejte rozdvojky ani jiné adaptéry. Nepoškozené vidlice a odpovídající zásuvky omezí nebezpečí úrazu elektrickým proudem. Poškozené nebo zamotané napájecí kabely zvyšují nebezpečí úrazu elektrickým proudem. Pokud je síťový kabel poškozen, je nutno jej nahradit novým síťovým kabelem, který je možné získat v autorizovaném servisním středisku nebo u dovozce.
- ✿ Vyvarujte se dotyku těla s uzemněnými předměty, jako např. potrubí, tělesa ústředního topení, sporáky a chladničky. Nebezpečí úrazu elektrickým proudem je větší, je-li vaše tělo spojeno se zemí.
- ✿ Nevystavujte elektrické nářadí dešti, vlhku nebo moku. Elektrického nářadí se nikdy nedotýkejte mokřými rukama. Elektrické nářadí nikdy neumývejte pod tekoucí vodou ani ho neponořujte do vody.
- ✿ Nepoužívejte napájecí kabel k jinému účelu, než pro jaký je určen. Nikdy nenoste a netahajte elektrické nářadí za napájecí kabel. Nevytahujte vidlici ze zásuvky tahem za kabel. Zabraňte mechanickému poškození elektrických kabelů ostrými nebo horkými předměty.
- ✿ El. nářadí bylo vyrobeno výlučně pro napájení střídavým el. proudem. Vždy zkontrolujte, že elektrické napětí odpovídá údaji uvedenému na typovém štítku nářadí.

- ✿ Nepoužívajte napájací kábel na iný účel, než na aký je určený. Nikdy nenoste a neťahajte elektrické náradie za napájací kábel. Nevyťahujte vidlicu zo zásuvky ťahaním za kábel. Zabráňte mechanickému poškodeniu elektrických káblov ostrými alebo horúcimi predmetmi.
- ✿ El. náradie bolo vyrobené výlučne na napájanie striedavým el. prúdom. Vždy skontrolujte, že elektrické napätie zodpovedá údaju uvedenému na typovom štítku náradia.
- ✿ Nikdy nepracujte s náradím, ktoré má poškodený el. kábel alebo vidlicu, alebo spadlo na zem a je nejakým spôsobom poškodené.
- ✿ V prípade použitia predlžovacieho kábla vždy skontrolujte, že jeho technické parametre zodpovedajú údajom uvedeným na typovom štítku náradia. Ak sa elektrické náradie používa vonku, používajte predlžovací kábel vhodný na vonkajšie použitie. Pri použití predlžovacích bubnov je nutné ich rozvinúť, aby nedochádzalo k prehriatiu kábla.
- ✿ Ak sa elektrické náradie používa vo vlhkých priestoroch alebo vonku, je povolené ho používať, iba ak je zapojené do el. obvodu s prúdovým chráničom < 30 mA. Použitie el. obvodu s chráničom /RCD/ znižuje riziko úrazu elektrickým prúdom.
- ✿ Ručné el. náradie držte výlučne za izolované plochy určené na uchopenie, pretože pri prevádzke môže dôjsť ku kontaktu rezacieho či vŕtacieho príslušenstva so skrytým vodičom alebo s napájacou šnúrou náradia.

Bezpečnosť osôb

- ✿ Pri používaní elektrického náradia buďte pozorní a ostražití, venujte maximálnu pozornosť činnosti, ktorú práve vykonávate. Sústreďte sa na prácu. Nepracujte s elektrickým náradím, ak ste unavení, alebo ak ste pod vplyvom drog, alkoholu alebo liekov. Aj chvíľková nepozornosť pri používaní elektrického náradia môže viesť k vážnemu poraneniu osôb. Pri práci s el. náradím nejedzte, nepite a nefajčíte.
- ✿ Používajte ochranné pomôcky. Vždy používajte ochranu zraku. Používajte ochranné prostriedky zodpovedajúce druhu práce, ktorú vykonávate. Ochranné pomôcky, ako napr. respirátor, bezpečnostná obuv s protišmykovou úpravou, pokrývka hlavy alebo ochrana sluchu používané v súlade s podmienkami práce znižujú riziko poranenia osôb.
- ✿ Vyvarujte sa neúmyselného zapnutia náradia. Neprenášajte náradie, ktoré je pripojené k elektrickej sieti, s prstom na spínači alebo na spúšti. Pred pripojením k elektrickému napájaniu sa uistite, že spínač alebo spúšť sú v polohe „vypnuté“. Prenášanie náradia s prstom na spínači alebo zapájanie vidlice náradia do zásuvky so zapnutým spínačom môže byť príčinou vážnych úrazov.
- ✿ Pred zapnutím náradia odstráňte všetky nastavovacie kľúče a nástroje. Nastavovací kľúč alebo nástroj, ktorý zostane pripevnený k otáčajúcej sa časti elektrického náradia môže byť príčinou poranenia osôb.
- ✿ Vždy udržujte stabilný postoj a rovnováhu. Pracujte len tam, kam bezpečne dosiahnete. Nikdy nepreceňujte vlastnú silu. Nepoužívajte elektrické náradie, ak ste unavení.
- ✿ Obliekajte sa vhodným spôsobom. Používajte pracovný odev. Nenoste voľné odevy ani šperky. Dbajte na to, aby sa vaše vlasy, odev, rukavice alebo iná časť vášho tela nedostala do prílišnej blízkosti rotujúcich alebo rozpálených častí el. náradia.

- ✿ Pripojte zariadenie na odsávanie prachu. Ak má náradie možnosť pripojenia zariadenia na zachytávanie alebo odsávanie prachu, zaistíte, aby došlo k jeho riadnemu pripojeniu a používaniu. Použitie týchto zariadení môže znížiť nebezpečenstvo vznikajúce prachom.
- ✿ Pevne upevnite obrobok. Použite stolársku svorku alebo zverák na upevnenie dielu, ktorý budete obrábať.
- ✿ Nepoužívajte elektrické náradie, ak ste pod vplyvom alkoholu, drog, liekov alebo iných omamných alebo návykových látok.
- ✿ Toto zariadenie nie je určené na použitie osobami (vrátane detí) so zníženými fyzickými, zmyslovými alebo mentálnymi schopnosťami, alebo s nedostatkom skúseností a znalostí, pokiaľ nie sú pod dozorom alebo nedostali pokyny ohľadom použitého zariadenia od osoby zodpovednej za ich bezpečnosť. Deti musia byť pod dozorom, aby ste sa uistili, že sa nehrajú so zariadením.

Používanie elektrického náradia a jeho údržba

- ✿ El. náradie vždy odpojte z el. siete v prípade akéhokoľvek problému pri práci, pred každým čistením alebo údržbou, pri každom presune a po ukončení práce! Nikdy nepracujte s el. náradím, ak je akýmkoľvek spôsobom poškodené.
- ✿ Ak začne náradie vydávať abnormálny zvuk alebo zápach, okamžite ukončíte prácu.
- ✿ Elektrické náradie nepreťažujte. Náradie bude pracovať lepšie a bezpečnejšie, ak ho budete prevádzkovať v otáčkach, pre ktoré bolo navrhnuté. Používajte správne náradie, ktoré je určené pre danú činnosť. Správne náradie bude lepšie a bezpečnejšie vykonávať prácu, na ktorú bolo skonštruované.
- ✿ Nepoužívajte elektrické náradie, ktoré nie je možné bezpečne zapnúť a vypnúť ovládacím spínačom. Používanie takého náradia je nebezpečné. Chybné spínače musia byť opravené certifikovaným servisom.
- ✿ Odpojte náradie od zdroja elektrickej energie predtým, než začnete vykonávať jeho nastavovanie, výmenu príslušenstva alebo údržbu. Toto opatrenie zabráni náhodnému spusteniu.
- ✿ Nepoužívané elektrické náradie upracte a uschovajte tak, aby bolo mimo dosahu detí a nepovolanych osôb. Elektrické náradie v rukách neskúsených používateľov môže byť nebezpečné. Elektrické náradie skladujte na suchom a bezpečnom mieste.
- ✿ Udržujte elektrické náradie v dobrom stave. Pravidelne kontrolujte nastavenie pohybujúcich sa častí a ich pohyblivosť. Kontrolujte, či nedošlo k poškodeniu ochranných krytov alebo iných častí, ktoré môžu ohroziť bezpečnú prevádzku náradia. Pokiaľ je náradie poškodené, pred ďalším použitím zaistíte jeho riadnu opravu. Veľa úrazov je spôsobených zle udržiavaným elektrickým náradím.
- ✿ Rezacie nástroje udržiavajte ostré a čisté. Správne udržiavané a naoštrené nástroje uľahčujú prácu, obmedzujú nebezpečenstvo zranenia a práca s nimi sa ľahšie kontroluje. Použitie iného príslušenstva než toho, ktoré je uvedené v návode na obsluhu, môže spôsobiť poškodenie náradia a byť príčinou zranenia.

- ✿ Elektrické náradie, príslušenstvo, pracovné nástroje atď. používajte v súlade s týmito pokynmi a takým spôsobom, ktorý je predpísaný pre konkrétne elektrické náradie a to s ohľadom na dané podmienky práce a druh vykonávanej práce. Používanie náradia na iné účely, než na aké je určené, môže viesť k nebezpečným situáciám.

Servis

- ✿ Nevymieňajte časti náradia, nevykonávajte sami opravy, ani iným spôsobom nezasahujte do konštrukcie náradia. Opravy náradia zverte kvalifikovaným osobám.
- ✿ Každá oprava alebo úprava výrobku bez oprávnenia našej spoločnosti je neprípustná (môže spôsobiť úraz alebo škodu používateľovi).
- ✿ Elektrické náradie vždy nechajte opraviť v certifikovanom servisnom stredisku. Používajte len originálne alebo odporúčané náhradné diely. Zaisťte tak bezpečnosť vašu i vášho náradia.

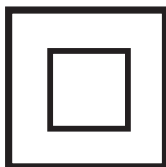
2. SYMBOLY A PIKTOGRAMY



Tento produkt je vyrobený v súlade so schválenými normami.



Pred použitím stroja si pozorne prečítajte návod na obsluhu.



Dvojitá izolácia



Použite ochranné pomôcky na oči



Použite ochranné pomôcky na uši



Neodhadzovať



3. POPIS STROJA A OBSAH DODÁVKY

Popis stroja (viď obr. 1,2)

- 1 - Vypínač
- 2 - Rukoväť
- 3 - Vodiace držadlo/rukoväť
- 4 - Skrutka na nastavenie uhla úkosu
- 5 - Nastavovacia skrutka rovnobežného vodidla
- 6 - Rovnobežné vodidlo
- 7 - Kryt kotúča píly
- 8 - Základňa píly
- 9 - Upevňovacia skrutka
- 10 - Skrutka na nastavenie hĺbky rezu
- 11 - Poistné tlačidlo
- 12 - Kryt uhlíkov
- 13 - Šesťhranný kľúč
- 16 - Mierka uhla úkosu

Obsah dodávky

Stroj vyberte opatrne z obalu a skontrolujte, či sú nasledujúce diely kompletne:

- * Kotúčová píla
- * Rovnobežné vodidlo
- * 1 ks rezacieho kotúča
- * Záručný list
- * Návod na obsluhu
- * Šesťhranný kľúč
- * vyhlásenie o zhode (EC)

Pokiaľ diely chýbajú alebo sú poškodené, obráťte sa prosím na predajcu, kde ste stroj zakúpili.

4. BEZPEČNOSTNÉ POKYNY

Pred použitím si prosím prečítajte tieto bezpečnostné pokyny a starostlivo ich uschovajte.

⚠ POZOR! Tento symbol označuje nebezpečenstvo zranenia alebo poškodenia zariadenia.

⚠ POZOR! V prípade nedodržania pokynov uvedených v tejto príručke hrozí riziko úrazu.

- ⚠ **POZOR!** Elektrická ručná okružná píla zodpovedá platným technickým predpisom a normám.
- ⚠ **POZOR!** Predtým, než okružnú pílu odložíte, uistite sa, že všetky pohybujúce sa súčasti zastavili svoj pohyb.

Špeciálne bezpečnostné pokyny k obsluhu okružnej píly

- ⚠ **POZOR!** Nebezpečenstvo poranenia! Vypnite pílu a vytiahnite vidlicu zo zásuvky skôr, než sa budete pokúšať namontovať alebo vyňať rezný kotúč píly. Zabráňte tak náhodnému spusteniu píly.
- * Páta pílového kotúča píly by mala byť vždy pevne v kontakte s rezaným materiálom.
- * Držte ruky v dostatočnej vzdialenosti od pílového kotúča píly.
- * Nikdy nesiahajte na spodnú stranu materiálu počas rezania.
- * Uistite sa, že je pílový kotúč ostrý, nepoškodený a správne nastavený. Ak by tomu tak nebolo, ostrie by sa mohlo zlomiť a spôsobiť poškodenie píly alebo poranenie obsluhy.
- * Nedotýkajte sa pílového kotúča píly bezprostredne po rezaní. Môže byť horúci.
- * Odstráňte nastavovací kľúč z píly predtým, než s ňou začnete pracovať.
- * Niektoré obrábané materiály môžu obsahovať konzervačné látky, ktoré môžu byť toxické. Vyvarujte sa vdýchnutia pilín pri opracovávaní takýchto materiálov.
- * Pri rezaní tenkých materiálov sa uistite, že sa odrezané časti nedostanú do zasúvateľného krytu píly.
- ⚠ **POZOR!** Pri vykonávaní prašnej práce noste protiprachovú masku a ochranné okuliare. Noste ochranné okuliare, ktoré zodpovedajú norme DIN 58214. Pri používaní píly bez ochrany zraku môžu v očiach uviaznuť cudzie telesá (ako napr. úlomky alebo triesky). Toto môže spôsobiť trvalé poškodenie zraku. Používanie ochranných okuliarov, ktoré nezodpovedajú norme DIN, môže viesť k vážnemu zraneniu z dôvodu možného roztrieštenia ochranného skla.
- ⚠ **POZOR!** Vyberte si vhodný pílový kotúč na tú prácu, ktorú chcete vykonávať. Režte s touto pílou iba drevo, drevené materiály a mäkké kovy, ako je hliník. Iné materiály sa môžu trhať, roztrhnúť sa alebo sa vymrštiť, zachytiť sa na pílovom kotúči alebo spôsobiť iné nebezpečenstvo.
- ⚠ **POZOR!** Nepoužívajte brúsne kotúče
 - Šípka na pílovom kotúči, ktorá ukazuje smer otáčania, musí ukazovať rovnaký smer ako šípka na pílovom kryte. Zuby pílového kotúča musia byť v smere otáčania píly (smer dole, dopredu).
 - Udržujte pílový kotúč a zvierací povrch príruby čistý. Príruba pílového kotúča musí vždy zapadať do točiacej sa padacej dosky smerom dovnútra (k pílovému kotúču).
 - Uistite sa, že sú všetky upínacie zariadenia a uzávery utiahnuté a že žiadna časť nemá príliš vôľe.

- ⚠ **POZOR!** Nikdy nerežte predmety, ktoré držíte voľne v ruke.
- ⚠ **POZOR!** Uistite sa, že sa už odrezané časti nemôžu dostať k pílovému kotúču, lebo môžu byť zachytené pílovým kotúčom a vymrštené.
- ⚠ **POZOR!** Nikdy nerežte viac ako jeden kus materiálu naraz.
- ⚠ **POZOR!** Budte zvlášť opatrní, keď režete veľké, veľmi malé alebo nepravidelné kusy.
- ⚠ **POZOR!** Žiadne klince alebo iné cudzie predmety nesmú byť umiestnené v tej časti opracovaného kusu, ktorý má byť rezaný.
- ⚠ **POZOR!** Žiadne osoby nesmú stáť v blízkosti píly alebo za pílu, kam sú odhadzované piliny a úlomky.
- ⚠ **POZOR!** Pílu nepoužívajte na rezanie palivového dreva.
- ⚠ **POZOR!** Nesnažte sa zastaviť rotáciu pílového kotúča tlakom na jeho bočnú stranu.
- ⚠ **POZOR!** Nepoužívajte pílové kotúče, ktoré rozmerovo ani tvarovo nezodpovedajú požiadavkám tohto náradia. Obrobok pred rezom pevne upevnite, napr. pomocou svoriek / nie sú súčasťou dodávky/.
- ⚠ **POZOR!** Držte ruky mimo rezacej oblasti a od pílového kotúča. Svojou druhou rukou držte pomocnú rukoväť alebo kryt motora. Ak držíte pílu oboma rukami, nemôže dôjsť k ich porezaniu pílovým kotúčom.
- ⚠ **POZOR!** Nastavte hĺbku rezu min. na hrúbku spracovaného materiálu.
- ⚠ **POZOR!** Ak vykonávate prácu, pri ktorej sa náradie môže dostať do kontaktu so skrytým elektrickým vedením, alebo so svojou vlastnou sieťovou šnúrou, držte elektrické náradie v miestach s izolovaným povrchom určeným na uchopenie.
- ⚠ **POZOR!** Zachovajte pevné zovretie píly oboma rukami a dajte svoje ramená do takej polohy, aby ste vzdorovali sile spätného nárazu. Treba sa postaviť na jednu alebo druhú stranu pílového kotúča, ale nie v jednej rovine s pílovým kotúčom.
- ⚠ **POZOR!** Pri pozdĺžnom rezaní používajte vždy pozdĺžne vodiace pravítko alebo rovno vodiacu lištu.
- ⚠ **POZOR!** Nikdy nepoužívajte poškodené a nesprávne podložky alebo svorníky.
- ⚠ **POZOR!** Ak je pílový kotúč zovretý alebo je rezanie z iných dôvodov prerušené, uvoľnite vypínač a držte pílu bez pohybu v materiáli, kým sa pílový kotúč úplne nezastaví.
- ⚠ **POZOR!** Nikdy sa nepokúšajte pílu vyňať zo záberu alebo vyťahovať pílu späť, ak je pílový kotúč v pohybe. Môže dôjsť k spätnému nárazu.
- ⚠ **POZOR!** Ak chcete znovu spustiť pílu, ktorá je zavedená v opracovávanom kuse, vycentrujte pílový kotúč vo výreze a overte, že zuby kotúča nie sú zaseknuté v materiáli.

- ⚠ **POZOR!** Podprite veľké panely, aby ste minimalizovali nebezpečenstvo zovretia kotúča alebo spätného nárazu.
- ⚠ **POZOR!** Nepoužívajte tupé alebo inak poškodené pílové kotúče.
- ⚠ **POZOR!** Pred vykonaním rezu pevne dotiahnite páky nastavenia hĺbky pílového kotúča a páčky na nastavenie zošikmenia rezania.
- ⚠ **POZOR!** Budte opatrní najmä vtedy, keď vykonávate rezy doprostred materiálu, napr. existujúcich stien alebo skrytých oblastí.
- ⚠ **POZOR!** S pilou nikdy nepracujte bez nasadeného krytu pílového kotúča.

Spodný ochranný kryt

- ⚠ **POZOR!** Pred každým používaním overte, či sa spodný ochranný kryt správne zatvára.
- ⚠ **POZOR!** Pílu nepoužívajte, ak sa spodný ochranný kryt nepohybuje voľne a ihneď sa nezatvára! Nikdy nezvierajte ani nepriväzujte spodný ochranný kryt do otvorenej polohy. **POZOR!** Overte funkciu pružiny spodného ochranného krytu. Ak ochranný kryt a pružina náležite nepracujú, musia sa pred použitím opraviť.
- ⚠ **POZOR!** Spodný ochranný kryt sa má odťahovať ručne iba pri špeciálnych rezoch, ide napr. o vyrezávanie otvorov doprostred materiálu alebo pri zložitých uhlových rezoch. Zdvihnite spodný ochranný kryt pomocou odťahovacej rukoväti a keď pílový kotúč vnikne do materiálu, musí sa spodný ochranný kryt uvoľniť.
- ⚠ **POZOR!** Predtým, než uložíte pílu na pracovný stôl alebo podlahu, vždy si všimnite, či spodný ochranný kryt pokrýva pílový kotúč.

Rozpieračiklin

- ⚠ **POZOR!** Používajte vhodný rozpieračiklin pre používaný pílový kotúč.
- ⚠ **POZOR!** Nastavte rozpieračiklin tak, ako je uvedené v návode na obsluhu.
- ⚠ **POZOR!** Okrem ponorného zarezávania používajte vždy rozpieračiklin.
- ⚠ **POZOR!** Aby rozpieračiklin fungoval, musí zapadať do výrezu v spracovanom kuse.
- ⚠ **POZOR!** Nepracujte s pilou, ak je rozpieračiklin ohnutý.
- ⚠ **POZOR!** Uistite sa o tom, že rozpieračiklin je nastavený tak, aby vzdialenosť medzi rozpieračiklinom a vencom pílového kotúča nebola väčšia ako 5 mm, a veniec pílového kotúča nezasahuje viac než 5 mm za spodný okraj rozpieračieho klinu.
- ⚠ **POZOR!** Pri výmene pílového kotúča dávajte pozor, aby šírka rezu nebola menšia než je hĺbka rozpieračieho klinu.

Vyhňte sa spätnému rázu píly

- ⚠ **POZOR!** K spätnému rázu dôjde, ak sa prittlačí silou na kotúč píly, čo spôsobí rýchle a neočakávané vyskočenie dreva. Spätný ráz je veľmi nebezpečný, ale je možné ho minimalizovať, keď zistíte jeho príčiny a vyhnete sa im.
- ✿ Päta pílového kotúča píly by mala byť vždy pevne v kontakte s rezaným materiálom.
- ✿ Vždy držte pílu oboma rukami. Rezané časti podložte veľkými panelmi.
- ✿ Dávajte pozor, keď režete dlhé časti, ktoré sa môžu ohnúť, skrútiť alebo zovrieť pílový kotúč píly.
- ✿ Nikdy nerezte v strede medzi podloženým kusom dreva. Drevo sa môže prehnúť a spôsobíť zovretie kotúča píly.
- ✿ Nikdy nerezte nad hlavou.
- ✿ Netlačte na pílu. Nechajte pílový kotúč píly pracovať vlastnou rýchlosťou.
- ✿ Zaisťujte obrubu pomocou svoriek alebo zveráku, vyhnete sa tak vibráciám a nerovným rezom.
- ✿ Otáčajúci sa kotúč nevybočujte z reznej línie, môže to spôsobiť, že píla vyskočí z rezu.
- ✿ Pred rezaním skontrolujte drevo a odstráňte z neho všetky skrutky, svorky a klince.
- ✿ Vymeňte pílový kotúč píly, ak je tupý.
- ✿ Používajte iba pílové kotúče podľa EN 847-1 a nikdy nepoužívajte pílové kotúče vyrobené z rýchloreznej ocele (High Speed Steel - HSS).
- ⚠ **POZOR!** Používajte ochranu sluchu na zníženie rizika jeho poškodenia! Používajte ochranu proti vdychovaniu nebezpečného prachu.
- ⚠ **POZOR!** Pri práci s pílovými kotúčmi a hrubo opracovanými materiálmi noste rukavice - pílové kotúče pokiaľ možno noste v držiakoch.
- ⚠ **POZOR!** Používajte ochranné prostriedky proti hluku, prachu a vibráciám!!!
- ⚠ **POZOR!** Tieto bezpečnostné pokyny uschovajte.

5. POUŽITIE A PREVÁDZKA

Ručná okružná píla sa dodáva s rezným kotúčom určeným na vykonávanie priamych rezov v drevených materiáloch. Po výmene rezného kotúča môžete rezať aj plasty, termoplasty, tvrdé plasty, laminát, dosky z tvrdej peny, izolačné dosky z minerálnej vlny, cementové dosky, pórovitý betón a výrobky z neželezných kovov. Píla je určená len na domáce alebo hobby použitie. Akékoľvek iné použitie píly je prísne zakázané.

Práca s ručnou okružnou pílou

- * Zapnite pílu a nechajte ju dosiahnuť plné otáčky skôr, než začnete rezať, tzn. než sa kotúč dotkne materiálu.
- * Na pílu príliš netlačte, doprajte jej dostatok času na rez.
- * Pílu držte s oboma rukami na oboch držadlách. Tak sa píla najlepšie ovláda.
- * Rezaný diel automaticky tlačí na sklopný kryt stroja.
- * Pri rezaní rovnomerne a hladko tlačte okružnú pílu smerom vpred.
- * Diel, ktorý chcete odrezať, musí byť po pravej strane píly tak, aby široká časť základovej dosky bola celá umiestnená na ploche.

Nasadenie rovnobežného vodidla (pozri obr. 3)

- * Rovnobežné vodidlo /6/ umožňuje rezy rovnobežné s okrajom vzdialeným max. 10 cm.
- * Uvoľnite nastavovaciu skrutku /5/ - smerom doprava.
- * Vložte rovnobežné vodidlo /6/ do základne píly /8/.
- * Nastavte rovnobežné vodidlo na požadovanú vzdialenosť a utiahnite nastavovaciu skrutku /5/ - skrutkou smerom doľava.
- * Odskrutkujte nastavovaciu skrutku.
- * Nastavte paralelný doraz podľa mierky, vezmite do úvahy aj hrúbku rezného kotúča. **POZOR!** Pred rezaním načisto najskôr vykonajte skúšobný rez na odrezku materiálu.

Výmena kotúča píly (pozri obr. 5)

- ⚠ **POZOR!** Pred výmenou kotúča vždy odpojte pílu zo siete.
- ⚠ **POZOR!** Používajte iba ostré a nepoškodené kotúče. Prasknuté alebo ohnuté kotúče je nutné okamžite vymeniť.
- ⚠ **POZOR!** Presvedčte sa, že priemer vretena a otvor kotúča si zodpovedajú.
- * Zaisťte upínaciu maticu prírubovým kľúčom 14, uvoľnite ho šesťhranným kľúčom 13, a uvoľnite proti smeru hodinových ručičiek.
- * Odtiahnite ochranný kryt kotúča a odstráňte upevňovaciu skrutku, podložku aj prírubu.
- * Vyberte starý kotúč píly a vložte nový kotúč tak, aby zuby smerovali v smere rotácie podľa šípky na pevnom kryte kotúča.
- * Stlačte páku zámku hriadeľa. Zatvorte ochranný kryt kotúča.
- * Vložte prírubu, podložku a upevňovaciu skrutku a pevne utiahnite.

Nastavení hlúbky rezu (pozri obr. 6)

- ✿ Uvoľníte nastavovaciu skrutku /10/ - smerom doľava.
- ✿ Posuňte základňu /8/ smerom dole.
- ✿ Pomocou mierky nastavte požadovanú hlúbku rezu. Horná línia rezu musí o cca 2 mm vyčnievať z dreveného materiálu. Utiahnite nastavovaciu skrutku /4/.
- ✿ Max. hlúbku rezu dosiahnete nastavením uhla úkosu na 45°.

Nastavenie uhla úkosu (pozri obr. 7)

- ✿ Odskrutkujte nastavovaciu skrutku /4/.
- ✿ Požadovaný uhol úkosu nastavte podľa mierky /16/ v rozpätí 0-45°.
- ✿ Utiahnite nastavovaciu skrutku /4/.

Nastavenie rozpieracieho klinu

- ✿ Otvorte sklopný kryt a pevne ho držte.
- ✿ Odskrutkujte skrutky.
- ✿ Nastavte rozpierací klin a zaskrutkujte skrutky.

Pred zapnutím náradia

Pred zapnutím stroja sa uistite, že je rezný kotúč správne upevnený, že sa všetky pohyblivé časti voľne pohybujú a že všetky nastavovacie skrutky sú pevne dotiahnuté.

Spustenie a vypnutie náradia (pozri obr. 8)

Nástroj je vybavený dvojčinným bezpečnostným spínačom: pílu je možné spustiť len v prípade, že pevne držíte rukoväť a tlačíte na obe bezpečnostné tlačidlá. Po uvoľnení rukoväte sa píla automaticky vypne, takže nemôže dôjsť k náhodnej prevádzke stroja.

Výmena uhlíkov

- ⚠ **POZOR!** Ak dôjde k zahoreniu uhlíkov, ihneď pílu vypnite a obráťte sa na najbližší servis spoločnosti FAST ČR, a.s. alebo na najbližšieho predajcu.
- ✿ Používajte výhradne uhlíky správneho typu.
- ✿ Po pripevnení nových uhlíkov nechajte pílu bežať cca 5 min. bez záťaže.

6. ČISTENIE A ÚDRŽBA

- * Udržujte ventilačné otvory motora čisté a bez prachu.
- * Ak dôjde k poškodeniu rezného kotúča, ihneď ho vymeňte za nový kotúč rovnakého typu.
- ⚠ **POZOR!** Pred čistením a údržbou vždy vytiahnite prírodný kábel náradia zo zásuvky.
- * Náradie nevyžaduje žiadnu zvláštnu údržbu, len pravidelne utrite kryt brúsky vlhkou handričkou.
- * Pravidelne čistite ventilačné otvory.
- * Nikdy nečistite žiadnu časť náradia tvrdým, ostrým alebo drsným predmetom.

TYPY NA ČISTENIE A ÚDRŽBU

- * Náradie, príslušenstvo a návod na obsluhu skladujte v originálnom obale, tak budete mať vždy k dispozícii všetky potrebné diely aj informácie.
- * Pri dlhodobjšom nepoužívaní náradia neskladujte na mieste, kde je vysoká teplota.
- * Ak je to možné, skladujte náradie na mieste so stálou teplotou a vlhkosťou.
- * Bráňte kontaktu brúsky s vlhkosťou a vodou. Dodržujte pokyny uvedené v tomto návode na obsluhu.

7. TECHNICKÉ ÚDAJE

ELEKTRICKÁ KOTŮČOVÁ PÍLA :	
Napájanie	230 V/50 Hz
Príkon	1300 W
Otáčky	4 500 ot./min
Trieda ochrany	II
Rezný kotúč	Ø 185 mm
Maximálna hĺbka rezu	45 mm pri 90°, 28mm pri 45°
Dĺžka napájacieho kábla	1,8 m
Deklarovaná úroveň hluku	106.5 dB(A)
Vibrácie	$a_h=2.462 \text{ ms}^{-2}$, $k=1.5 \text{ ms}^{-2}$

Návod na použitie – len jazyková mutácia.

Zmena textu a technických parametrov vyhradená.

Zmeny v texte, dizajne a technických špecifikáciách sa môžu meniť bez predchádzajúceho upozornenia a vyhradujeme si právo na ich zmenu.

Riešenie problémov

Predpokladané poruchy majú často príčiny, ktoré užívateľ zvládne vyriešiť vlastnými silami. Skúste preto výrobok zkontrolovať s použitím tejto sekcie. Vo väčšine prípadov je možné problém rýchle odstrániť.

UPOZORNENIE!

Vykonávajte iba kroky popísané v tomto návode! V prípade, že nie ste schopní problém vyriešiť sami, potom akékoľvek ďalšie kontroly, údržby a opravy musia byť vykonávané autorizovaným servisným centrom alebo odborníkom s obdobnou kvalifikáciou!

Problém	Možná príčina	Riešenie
1. Produkt sa nespustí	1.1 Nezapojený do elektrickej siete 1.2 Chybný napájací kábel alebo zástrčka 1.3 Iná závada elektrického napájania	1.1 Zapojte do elektrickej siete 1.2 Nechajte zkontrolovať elektrikárom 1.3 Nechajte zkontrolovať elektrikárom
2. Produkt nedosiahne plného výkonu	2.1 Predlžovací kábel nie je vhodný na prevádzku s týmto produktom. 2.2 Zdroj napájania (napr. generátor) má príliš nízke napätie 2.3 Vetracie prieduchy sú blokované	2.1 Používajte náležitý predlžovací kábel 2.2 Zapojte do iného zdroja napájania 2.3 Vyčistite vetracie prieduchy
3. Neuspokojivý výsledok	3.1 Kotúč je opotrebený /poškodený 3.2 Kotúč nie je vhodný pre materiál určený k obrábaniu	3.1 Vymeňte za nový 3.2 Používajte náležitý kotúč
4. Nadmerné vibrácie alebo hluk	4.1 Kotúč je opotrebený /poškodený 4.2 Skrutky/matice sú uvoľnené	4.1 Vymeňte za nový 4.2 Utiahnite skrutky /matice

8. LIKVIDÁCIA

POKYNY A INFORMÁCIE O ZAOBCHÁDZANÍ S POUŽITÝM OBALOM

Použitý obalový materiál odložte na miesto určené obcou na ukladanie odpadu.

LIKVIDÁCIA POUŽITÝCH ELEKTRICKÝCH A ELEKTRONICKÝCH ZARIADENÍ



Tento symbol na produktoch alebo v sprievodných dokumentoch znamená, že použité elektrické a elektronické výrobky sa nesmú pridávať do bežného komunálneho odpadu. Na správnu likvidáciu, obnovu a recykláciu odovzdajte tieto výrobky na určené zberné miesta. V niektorých krajinách Európskej únie alebo iných európskych krajinách môžete vrátiť svoje výrobky miestnemu predajcovi pri kúpe ekvivalentného nového produktu. Správnu likvidáciu tohto produktu pomôžete zachovať cenné prírodné zdroje a napomáhate prevencii potenciálnych negatívnych dopadov na životné prostredie a ľudské zdravie, čo by mohlo byť dôsledkom nesprávnej likvidácie odpadov. Ďalšie podrobnosti si vyžiadajte od miestneho úradu alebo najbližšieho zberného miesta. Pri nesprávnej likvidácii tohto druhu odpadu môžu byť v súlade s národnými predpismi udelené pokuty.

Pre podnikové subjekty v krajinách Európskej únie

Ak chcete likvidovať elektrické a elektronické zariadenia, vyžiadajte si potrebné informácie od svojho predajcu alebo dodávateľa.

Likvidácia v ostatných krajinách mimo Európskej únie

Tento symbol je platný v Európskej únii. Ak chcete tento výrobok zlikvidovať, vyžiadajte si potrebné informácie o správnom spôsobe likvidácie od miestnych úradov alebo od svojho predajcu



Tento výrobok spĺňa všetky základné požiadavky smerníc EÚ, ktoré sa naň vzťahujú.

Zmeny v texte, dizajne a technických špecifikáciách sa môžu meniť bez predchádzajúceho upozornenia a vyhradzuje si právo na ich zmenu.

Elektromos szúrófűrész azzal AC lézer

HASZNÁLATI ÚTMUTATÓ

Köszönjük, hogy cégünk elektromos körfűrészének megvásárlása mellett döntött. Mielőtt használatba venné, kérjük, olvassa el figyelmesen ezt a használati útmutatót, majd őrizze meg, hogy később bármikor újraolvashassa.

TARTALOM

1. ÁLTALÁNOS BIZTONSÁGI RENDELKEZÉSEK	61
2. A GÉPEN LÁTHATÓ JELZÉSEK ÉS CÍMÉK ISMERTETÉSE	70
3. A GÉP ISMERTETÉSE ÉS A CSOMAGOLÁS TARTALMA	71
4. BIZTONSÁGI RENDELKEZÉSEK	75
5. HASZNÁLAT ÉS ÜZEM	75
6. TISZTÍTÁS ÉS KARBANTARTÁS	77
7. MŰSZAKI ADATOK	78
8. MEGSEMISÍTÉS	80

1. ÁLTALÁNOS BIZTONSÁGI ELŐÍRÁSOK

▲ FIGYELEM! Használat előtt olvassa el figyelmesen a használati útmutatót.

Fontos biztonsági figyelmeztetések


- ✿ Figyelmesen csomagolja ki a terméket, és ügyeljen arra, hogy ne dobja ki a csomagolás semelyik részét mindaddig, amíg meg nem találta a termék valamennyi alkotóelemét.
- ✿ A terméket száraz helyen, gyermekektől távol tartsa.
- ✿ Olvassa el az összes figyelmeztetést és utasítást. A figyelmeztetések be nem tartás áramütéshez, tűzhez és/vagy súlyos sérülésekhez vezethet.

Csomagolás

A csomagolóanyag szállítás közben óvja a terméket. Ez a csomagolás nyersanyag, ezért újrahasznosítás céljával leadható.

Használati útmutató

Mielőtt megkezdené a munkavégzést a készülékkel, olvassa el figyelmesen a következő biztonsági és használati utasításokat. Ismerkedjen meg a gép kezelőszerveivel, és a helyes használat szabályaival. A használati útmutató őrizze meg egy esetleges későbbi újraolvasáshoz. A csomagolóanyagot, beleértve a belső csomagolóanyagot, a pénztárblokkot és a jótállási jegyet is, ajánlott legalább a jótállás érvényessége alatt megőrizni. Szállítás esetén csomagolja vissza a készüléket a gyártótól kapott eredeti dobozba, így biztosíthatja a termék esetleges szállítás közbeni maximális védelmét (pl. költözés vagy szervizbe küldés).

 **Megjegyzés:** Amennyiben a készüléket más személyeknek kívánja átadni, mellékelje a használati útmutatót is. A mellékelt használati útmutató betartása a sövénynyíró előírásszerű használatának előfeltétele. A használati útmutató egyben használati, kezelési és javítási utasításokat is tartalmaz.

A gyártó nem felel a jelen használati útmutató be nem tartása következtében felmerült sérülésekért vagy károkért.

ÁLTALÁNOS BIZTONSÁGI ELŐÍRÁSOK

A biztonsági útmutatót figyelmesen tanulmányozza át, majd a későbbi újraolvasás érdekében őrizze meg

⚠ FIGYELEM! Elektromos gépek és elektromos szerszámok használata estén áramütés, személyi sérülés és tűz keletkezésének elkerülése érdekében tartsa be az alábbi biztonsági rendelkezéseket. Az „elektromos szerszámok” kifejezés alatt minden alábbi szövegrész esetében elektromos hálózatról (csatlakozókábellel) táplált, illetve akkumulátoros (csatlakozókábel nélküli) elektromos szerszámok értendők. A későbbi újraolvasás érdekében őrizze meg az összes figyelmeztetést és utasítást.

Munkakörnyezet

- ✿ Tartsa rendben, tisztán és megfelelően megvilágítottan a munkavégzés helyszínét. A munkahelyi rendtelenség személyi sérüléshez vezethet. A nem használt szerszámokat rakja el.
- ✿ Ne használja az elektromos szerszámot tűz- és robbanásveszélyes közegben, azaz tűzveszélyes folyadékok, gázok vagy por közelében. Az elektromos szerszámokban a kommutátoron szikrázás jöhet létre, amely a porok vagy gőzök begyulladását okozhatja.
- ✿ Az elektromos szerszámok használata során ügyeljen arra, hogy a munkavégzési helyszínen és annak közelében ne tartózkodjanak hivatlan személyek, különösen gyermekek! Ha a munkájában megzavarják, könnyen elveszítheti a gép feletti ellenőrzését. Soha ne hagyja az elektromos szerszámot felügyelet nélkül. Előzze meg, hogy a szerszámhoz kisgyermekek férhessenek.

Elektromos biztonság

- ✿ Az elektromos szerszám csatlakozókábele villásdugójának meg kell felelnie a hálózati dugalj paramétereinek. Soha semmilyen módon ne alakítsa át a villásdugót. A védőcsapos villásdugóval rendelkező szerszámhoz soha ne használjon elektromos elosztót, se másmilyen adaptereket. Ép villásdugó és megfelelő dugalj használatával megelőzheti az áramütés veszélyét. A sérült vagy összegabalyodott csatlakozókábelek fokozzák az áramütés veszélyét. Ha a csatlakozókábel sérült, új hálózati csatlakozókábellel kell helyettesíteni, amelyet szakszervizből vagy az importőrtől szerezhet be.
- ✿ Kerülje az érintkezést földelt tárgyakkal, pl. csövekkel, fűtőtesttel, tűzhellyel, hűtővel. Az áramütés veszélye nagyobb, ha a teste földelt.
- ✿ Soha ne tegye ki az elektromos szerszámokat eső, víz, nedvesség hatásának. Soha ne érjen az elektromos szerszámhoz vizes kézzel. Az elektromos szerszámot soha nem mossa el folyóvízzel, és ne merítse vízbe.

- ✿ Soha ne használja a csatlakozókábel a rendeltetésétől eltérő célokra. Soha ne hordozza és ne rángassa az elektromos szerszámot a csatlakozókábelnél fogva. Soha ne próbálja a villásdugót a csatlakozókábelnél rángatva kihúzni a dugaljából. A csatlakozókábelek mechanikus megsérülésének megelőzése érdekében óvja a kábeleket az éles vagy forró tárgyaktól.
- ✿ Az elektromos szerszám kizárólag váltóárammal történő táplálásra alkalmas. Minden esetben ellenőrizze le, hogy a hálózati elektromos feszültség értékek megfelelnek a szerszám gyári adattábláján található paramétereknek.
- ✿ Soha ne dolgozzon olyan elektromos szerszámmal, amelynek sérül a csatlakozókábele vagy villásdugója, esetleg leesett a földre vagy más módon megsérült.
- ✿ Hosszabbító kábel használata esetén minden esetben ellenőrizze le, hogy annak műszaki paraméterei megfelelnek a szerszám gyári adattábláján található adatoknak. Ha az elektromos szerszámot kültérben kívánja használni, használjon hozzá kültéri használatra alkalmas hosszabbító kábelt. Hosszabbító kábel dob használata esetén a kábelt annak túlforródásának megelőzése érdekében le kell csévélni a dobról.
- ✿ Amennyiben az elektromos szerszámot nedves belső térben vagy kültérben kívánja használni, kizárólag abban az esetben használható, ha <30 mA-es áramvédelemmel ellátott elektromos áramkörhöz csatlakoztatja. Az áramvédelemmel /RCD/ ellátott elektromos áramkör használata csökkenti az áramütés veszélyét.
- ✿ Az elektromos kéziszerszámot minden esetben kizárólag a fogásra kijelölt, szigetelt pontokon fogja, mivel használat közben a vágó vagy fúró tartozékok rejtett vezetékkel vagy a szerszám csatlakozókábellel érintkezhet.

Személyi biztonság

- ✿ Az elektromos szerszám használata során legyen figyelmes és elővigyázatos, szenteljen maximális figyelmet a végzett tevékenységnek. Összpontosítson a munkára. Soha ne dolgozzon az elektromos szerszámmal ha fáradt, kábító hatású anyagok, alkohol vagy gyógyszerek hatása alatt áll. Egy pillanatnyi figyelmetlenség is súlyos személyi sérüléshez vezethet. Munkavégzés során ne egyen, ne igyon és ne dohányozzon.
- ✿ Használjon személyi munkavédelmi eszközöket. Minden esetben használjon munkaszemüveget. Használjon a végzett munka jellegének megfelelő védőeszközöket. A személyi védőeszközök - pl. arcpajzs, csúszásgátló kivetelű munkacipő, sisak vagy fülvédő csökkentik a személyi sérülések kockázatát.
- ✿ Előzze meg a szerszám nemkívánatos bekapcsolását. Soha ne hordozza az elektromos hálózathoz csatlakoztatott szerszámot úgy, hogy közben az ujját a kapcsológombon tartja. Az elektromos hálózathoz csatlakoztatást megelőzően ellenőrizze le, hogy a főkapcsoló „kikapcsolt” állapotban található. Ha az elektromos szerszámot úgy hordozza, hogy közben az ujját a főkapcsolón tartja, vagy a szerszámot úgy csatlakoztatja az elektromos hálózathoz, hogy a főkapcsoló gomb közben bekapcsolt állású, súlyos személyi sérülés kockázatának teszi ki magát vagy a közelben tartózkodó személyeket.

- ✿ A szerszám bekapcsolása előtt távolítsa el minden állítókulcsot és szerszámot. Az elektromos szerszám forgó részébe csatlakoztatott állítókulcs vagy szerszám súlyos személyi sérülést okozhat.
- ✿ Minden esetben ügyeljen a stabil testtartásra és egyensúlya megőrzésére. Kizárólag ott végezze a munkát, ahova biztonságosan elér. Soha ne becsülje túl magát. Ha fáradt, ne használja az elektromos szerszámot.
- ✿ Megfelelő munkaruhát viseljen. Kerülje a bő ruhadarabokat és az ékszereket. Ügyeljen arra, hogy a haja, öltözete vagy teste más részei ne kerüljenek túlságosan közel az elektromos szerszám forgó vagy túlforrósodott részeihez.
- ✿ Használjon porelszívót. Amennyiben az elektromos szerszám lehetővé teszi porelszívó berendezés használatát, biztosítsa annak megfelelő csatlakoztatását és használatát. E berendezések használata csökkenti a por okozta veszély mértékét.
- ✿ Fogja be fixen a munkadarabot. Használjon asztalos satut vagy más befogó eszközt, amely biztonságosan befogja a munkadarabot.
- ✿ Soha ne használja az elektromos szerszámot, ha szeszes italok, kábítószer, gyógyszerek vagy más kábító vagy függőséget okozó anyagok hatása alatt áll.
- ✿ A készülék nem alkalmas csökkentett fizikai, érzékszervi vagy mentális képességekkel rendelkező, továbbá megfelelő ismeretekkel és tapasztalatokkal nem rendelkező személyek, illetve gyermekek általi használatra, kivéve ha a felelősségükért közvetlen felelősséget viselő személy felügyelete alatt állnak, vagy attól a szerszám használatára vonatkozó utasítást nem kaptak. Gyermekek esetében folyamatos felügyelet biztosítása szükséges annak elkerülése érdekében, hogy ne játszanak a készülékkel.

Az elektromos szerszám használata és karbantartása

- ✿ A munkavégzés során felmerült bármilyen probléma esetében, tisztítás vagy karbantartás, továbbá minden áthelyez előtt, illetve munkavégzés után minden esetben húzza ki az elektromos szerszámot az elektromos hálózathoz! Soha ne dolgozzon az elektromos szerszámmal, ha az bármilyen módon megsérült.
- ✿ Ha a szerszám szokatlan hangot vagy szagot ad ki, azonnal fejezze be a munkát.
- ✿ Soha ne terhelje túl az elektromos szerszámot. Az elektromos szerszám jobban és biztonságosabban dolgozik, ha az előírt paramétereknek megfelelő fordulatszámom üzemelteti. Az adott tevékenységnek megfelelő, helyes szerszámot használjon. A helyes szerszám jobban és biztonságosabban végzi a rendeltetésének megfelelő munkát.
- ✿ Soha ne használjon olyan elektromos szerszámot, amely nem kapcsolható be vagy ki biztonságosan a főkapcsolóval. Az ilyen szerszám használata veszélyes. A sérült, hibás kapcsoló javítását szakszervizre kell bízni.
- ✿ Húzza ki az elektromos szerszámot az elektromos hálózathoz még azt megelőzően, hogy beállítaná, tartozékot cserélne benne, vagy karbantartási műveletet végezne rajta. Ez az intézkedés megakadályozza, hogy a szerszámot véletlenül elindítsa.

- ✿ A nem használt elektromos szerszámot gyermekektől és hívatlan személyektől távol tárolja. Tapasztalatlan felhasználók kezében az elektromos szerszám használata fokozott kockázattal jár. Az elektromos szerszámot száraz és biztonságos helyen tárolja.
- ✿ Biztosítsa az elektromos szerszám megfelelő műszaki állapotát. Rendszeresen ellenőrizze a mozgó részek beállítását és azok mozgásterét. Ellenőrizze le, hogy a védőburkolatok vagy azok más részei nem sérültek-e. Ha a szerszám sérült, biztosítsa annak előírászerű megjavítását. Számos baleset oka a rosszul karbantartott elektromos szerszám.
- ✿ Tartsa élesen és tisztán a vágószerszámokat. A helyesen karbantartott és megélezett szerszámok megkönnyítik a munkavégzést, csökkentik a balesetveszélyt, és a velük folytatott munkavégzés könnyebben ellenőrizhető. A használati útmutatóban feltüntetett tartozékoktól eltérő tartozékok használata a szerszám megsérülését és balesetet okozhat.
- ✿ Az elektromos szerszámokat, azok tartozékait és a munkaeszközöket stb. a konkrét elektromos szerszám használati útmutatójával összhangban használja, figyelembe véve a konkrét munkavégzési feltételeket és a végzett munka jellegét. A szerszám más, mint előírászerű használata veszélyes helyzetek kialakulásához vezethet.

Szerviz

- ✿ Soha ne próbálja saját maga megjavítani a szerszámot, és ne avatkozzon be annak szerkezetébe. A szerszám javítását minden esetben bízza szakképzett személyre.
- ✿ A termék minden nem szakember által végzett javítása, módosítása tilos (személyi sérüléshez vagy anyagi kárhoz vezethet).
- ✿ Az elektromos szerszámot tanúsított szakszervizben javíttassa meg. Kizárólag eredeti vagy a gyártó által ajánlott pótalkatrészeket használjon. Kizárólag ily módon biztosítható a felhasználó és az elektromos szerszám biztonsága.

ÁLTALÁNOS BIZTONSÁGI ELŐÍRÁSOK

A biztonsági útmutatót figyelmesen tanulmányozza át, majd a későbbi újraolvasás érdekében őrizze meg

⚠ FIGYELEM! Elektromos gépek és elektromos szerszámok használata estén áramütés, személyi sérülés és tűz keletkezésének elkerülése érdekében tartsa be az alábbi biztonsági rendelkezéseket. Az „elektromos szerszámok” kifejezés alatt minden alábbi szövegrész esetében elektromos hálózathoz (csatlakozókábellel) táplált, illetve akkumulátoros (csatlakozókábel nélküli) elektromos szerszámok értendők. A későbbi újraolvasás érdekében őrizze meg az összes figyelmeztetést és utasítást.

Munkakörnyezet

- ✿ Tartsa rendben, tisztán és megfelelően megvilágítottan a munkavégzés helyszínét. A munkahelyi rendtelenség személyi sérüléshez vezethet. A nem használt szerszámokat rakja el.
- ✿ Ne használja az elektromos szerszámot tűz- és robbanásveszélyes közegben, azaz tűzveszélyes folyadékok, gázok vagy por közelében. Az elektromos szerszámokban a kommutátoron szikrázás jöhet létre, amely a porok vagy gőzök begyulladását okozhatja.
- ✿ Az elektromos szerszámok használata során ügyeljen arra, hogy a munkavégzési helyszínen és annak közelében ne tartózkodjanak hivatlan személyek, különösen gyermekek! Ha a munkájában megzavarják, könnyen elveszítheti a gép feletti ellenőrzését. Soha ne hagyja az elektromos szerszámot felügyelet nélkül. Előzze meg, hogy a szerszámhoz kisgyermekek férhessenek.

Elektromos biztonság

- ✿ Az elektromos szerszám csatlakozókábele villásdugójának meg kell felelnie a hálózati dugalj paramétereinek. Soha semmilyen módon ne alakítsa át a villásdugót. A védőcsapós villásdugóval rendelkező szerszámhoz soha ne használjon elektromos elosztót, se másmilyen adaptereket. Ép villásdugó és megfelelő dugalj használatával megelőzheti az áramütés veszélyét. A sérült vagy összegabalyodott csatlakozókábelek fokozzák az áramütés veszélyét. Ha a csatlakozókábel sérült, új hálózati csatlakozókábellel kell helyettesíteni, amelyet szakszervizből vagy az importőrtől szerezhet be.
- ✿ Kerülje az érintkezést földelt tárgyakkal, pl. csövekkel, fűtőtesttel, tűzhellyel, hűtővel. Az áramütés veszélye nagyobb, ha a teste földelt.
- ✿ Soha ne tegye ki az elektromos szerszámokat eső, víz, nedvesség hatásának. Soha ne érjen az elektromos szerszámhoz vizes kézzel. Az elektromos szerszámot soha nem mossa el folyóvízzel, és ne merítse vízbe.

- ✿ Soha ne használja a csatlakozókábel a rendeltetésétől eltérő célokra. Soha ne hordozza és ne rángassa az elektromos szerszámot a csatlakozókábelnél fogva. Soha ne próbálja a villásdugót a csatlakozókábelnél rángatva kihúzni a dugaljából. A csatlakozókábelelek mechanikus megsérülésének megelőzése érdekében óvja a kábeleket az éles vagy forró tárgyaktól.
- ✿ Az elektromos szerszám kizárólag váltóárammal történő táplálásra alkalmas. Minden esetben ellenőrizze le, hogy a hálózati elektromos feszültség értékek megfelelnek a szerszám gyári adattábláján található paramétereknek.
- ✿ Soha ne dolgozzon olyan elektromos szerszámmal, amelynek sérül a csatlakozókábele vagy villásdugója, esetleg leesett a földre vagy más módon megsérült.
- ✿ Hosszabbító kábel használata esetén minden esetben ellenőrizze le, hogy annak műszaki paraméterei megfelelnek a szerszám gyári adattábláján található adatoknak. Ha az elektromos szerszámot kültérben kívánja használni, használjon hozzá kültéri használatra alkalmas hosszabbító kábelt. Hosszabbító kábel dob használata esetén a kábelt annak túlforrósodásának megelőzése érdekében le kell csévélni a dobról.
- ✿ Amennyiben az elektromos szerszámot nedves belső térben vagy kültérben kívánja használni, kizárólag abban az esetben használható, ha <30 mA-es áramvédelemmel ellátott elektromos áramkörhöz csatlakoztatja. Az áramvédelemmel /RCD/ ellátott elektromos áramkör használata csökkenti az áramütés veszélyét.
- ✿ Az elektromos kéziszerszámot minden esetben kizárólag a fogásra kijelölt, szigetelt pontokon fogja, mivel használat közben a vágó vagy fúró tartozékok rejtett vezetékkel vagy a szerszám csatlakozókábellel érintkezhet.

Személyi biztonság

- ✿ Az elektromos szerszám használata során legyen figyelmes és elővigyázatos, szenteljen maximális figyelmet a végzett tevékenységnek. Összpontosítson a munkára. Soha ne dolgozzon az elektromos szerszámmal ha fáradt, kábító hatású anyagok, alkohol vagy gyógyszerek hatása alatt áll. Egy pillanatnyi figyelmetlenség is súlyos személyi sérüléshez vezethet. Munkavégzés során ne egyen, ne igyon és ne dohányozzon.
- ✿ Használjon személyi munkavédelmi eszközöket. Minden esetben használjon munkaszemüveget. Használjon a végzett munka jellegének megfelelő védőeszközöket. A személyi védőeszközök - pl. arcpajzs, csúszásgátló kivitelű munkacipő, sisak vagy fülvédő csökkentik a személyi sérülések kockázatát.
- ✿ Előzze meg a szerszám nemkívánatos bekapcsolását. Soha ne hordozza az elektromos hálózathoz csatlakoztatott szerszámot úgy, hogy közben az ujját a kapcsológombon tartja. Az elektromos hálózathoz csatlakoztatást megelőzően ellenőrizze le, hogy a főkapcsoló „kikapcsolt” állapotban található. Ha az elektromos szerszámot úgy hordozza, hogy közben az ujját a főkapcsolón tartja, vagy a szerszámot úgy csatlakoztatja az elektromos hálózathoz, hogy a főkapcsoló gomb közben bekapcsolt állású, súlyos személyi sérülés kockázatának teszi ki magát vagy a közelben tartózkodó személyeket.

- ✿ A nem használt elektromos szerszámot gyermekektől és hívatlan személyektől távol tárolja. Tapasztalatlan felhasználók kezében az elektromos szerszám használata fokozott kockázattal jár. Az elektromos szerszámot száraz és biztonságos helyen tárolja.
- ✿ Biztosítsa az elektromos szerszám megfelelő műszaki állapotát. Rendszeresen ellenőrizze a mozgó részek beállítását és azok mozgásterét. Ellenőrizze le, hogy a védőburkolatok vagy azok más részei nem sérültek-e. Ha a szerszám sérült, biztosítsa annak előírászerű megjavítását. Számos baleset oka a rosszul karbantartott elektromos szerszám.
- ✿ Tartsa élesen és tisztán a vágószerszámokat. A helyesen karbantartott és megélezett szerszámok megkönnyítik a munkavégzést, csökkentik a balesetveszélyt, és a velük folytatott munkavégzés könnyebben ellenőrizhető. A használati útmutatóban feltüntetett tartozékoktól eltérő tartozékok használata a szerszám megsérülését és balesetet okozhat.
- ✿ Az elektromos szerszámokat, azok tartozékait és a munkaeszközöket stb. a konkrét elektromos szerszám használati útmutatójával összhangban használja, figyelembe véve a konkrét munkavégzési feltételeket és a végzett munka jellegét. A szerszám más, mint előírászerű használata veszélyes helyzetek kialakulásához vezethet.

Akkumulátoros szerszám használata

- ✿ Az akkumulátor behelyezése előtt ellenőrizze le, hogy a főkapcsoló „0-kikapcsolt” állásban található. Az akkumulátor bekapcsolt állapotú szerszámba helyezése jelentős veszélyforrást jelent.
- ✿ Az akkumulátor töltéséhez kizárólag a gyártó által előírt töltőt használjon. Más akkumulátor típushoz használatos töltő használata annak megsérülésének, illetve tűz kialakulásának veszélyével jár.
- ✿ Kizárólag az adott szerszámhoz szánt akkumulátort használjon. Más akkumulátorok használata személyi sérüléshez vagy tűz kialakulásához vezethet.
- ✿ Ha nem használja az akkumulátort, fémtárgyaktól - pl. kapcsok, kulcsok, csavarok és más egyéb apró fémtárgyak - elkülönítve tárolja, mivel azok rövidzárat okozhatnak. Az akkumulátor rövidre zárása személyi sérülést, égési sérülést vagy tüzet okozhat.
- ✿ Az akkumulátorral óvatosan járjon el. Ellenkező esetben az akkumulátorból vegyi anyag szivároghat. Kerülje az érintkezést ezzel a vegyi anyaggal, amennyiben mégis érintkezne vele, folyóvízzel mossa le az érintett felületet. Ha a vegyi anyag szembe jutna, azonnal forduljon orvoshoz. Az akkumulátorban található vegyi anyag súlyos személyi sérülést okozhat.

Szerviz

- ✿ Soha ne próbálja saját maga megjavítani a szerszámot, és ne avatkozzon be annak szerkezetébe. A szerszám javítását minden esetben bízza szakképzett személyre.
- ✿ A termék minden nem szakember által végzett javítása, módosítása tilos (személyi sérüléshez vagy anyagi kárhoz vezethet).
- ✿ Az elektromos szerszámot tanúsított szakszervizben javíttassa meg. Kizárólag eredeti vagy a gyártó által ajánlott pótalkatrészeket használjon. Kizárólag ily módon biztosítható a felhasználó és az elektromos szerszám biztonsága.

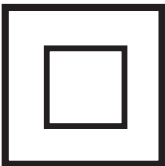
2. A GÉPEN LÁTHATÓ JELZÉSEK ÉS CÍMÉK ISMERTETÉSE



A gép a jóváhagyott szabványokkal összhangban került legyártásra.



A gép használatba vétele előtt olvassa el a használati útmutatót.



Dupla szigetelés.



Használjon védőfelszerelést szem



Használjunk védőfelszerelést fül



Ne dobja a szemétkbe



3. A GÉP BEMUTATÁSA ÉS A CSOMAGOLÁS TARTALMA

A gép leírása (lásd az 1,2 ábrát)

- 1 - Kapcsoló
- 2 - Fogantyú
- 3 - Az útmutató fogantyú / markolat
- 4 - Csavar beállításához a szög a ferde
- 5 - Beállítása csavar párhuzamos kerítés
- 6 - Párhuzamos kerítés
- 7 - F⁻ részlapvéd^ob en
- 8 - Alap f⁻ részek
- 9 - Rögzít^o c savar
- 10 - Csavar mélységállítás
- 11 - A biztosítási
- 12 - Szénatomos
- 13 - Imbuszkulcs
- 16 - Scale ferde

A csomagolás tartalma

Óvatosan emelje ki a szerszámot a csomagolásából, majd ellenőrizze le, hogy a csomagolás minden alábbi tartozékot tartalmaz:

- * Körfűrész
- * Párhuzamos vezetőelem
- * 1 db vágótárcsa
- * Jótállási jegy
- * Használati útmutató
- * Hatlapfejű kulcs
- * Megfelelőségi nyilatkozat (EC)

Amennyiben bármely tartozék hiányozna vagy sérült lenne, kérjük, forduljon a készülék eladójához.

4. BIZTONSÁGI RENDELKEZÉSEK

A készülék használatba vétele előtt olvassa el figyelmesen a biztonsági utasításokat, és őrizze meg őket.

- ⚠ **VIGYÁZAT!** Ez a jelzés személyi sérülés vagy a készülék megsérülésének kockázatára utal.
- ⚠ **VIGYÁZAT!** A jelen használati útmutatóban szereplő utasítások be nem tartása esetén személyi sérülés kockázatának teszi ki magát.
- ⚠ **VIGYÁZAT!** Az elektromos körfűrész megfelel az érvényes műszaki előírásoknak és szabványoknak.
- ⚠ **VIGYÁZAT!** Mielőtt letenné a körfűrész, ellenőrizze le, hogy a mozgó alkatrészek mozgása leállt.

A körfűrész használatára vonatkozó speciális biztonsági utasítások

- ⚠ **VIGYÁZAT!** Balesetveszély! Mielőtt a helyére kívánná helyezni, vagy el szeretné távolítani a fűrész tárcsát, kapcsolja ki a fűrész, és húzza ki az elektromos hálózathoz. Ezzel megelőzi a fűrész esetleges nemkívánatos bekapcsolását.
- ✿ A fűrész tárcsa sarkának minden esetben fixen kell érintkeznie a fűrészelt munkadarabbal.
- ✿ Tartsa megfelelő távolságban a kezét a fűrész tárcsától.
- ✿ Fűrészelés közben soha ne nyúljon a munkadarab alá.
- ✿ Ellenőrizze le, hogy a fűrész tárcsa éles, ép és megfelelően be van állítva. Amennyiben nem így lenne, az éle könnyen eltörhetne, és a fűrész, vagy a kezelő személy megsérülhetne.
- ✿ Ne érjen közvetlenül fűrészelés után a fűrész tárcsához. Forró lehet.
- ✿ Távolítsa el az állítókulcsokat a fűrészről még azt megelőzően, hogy elkezdene a munkavégzést.
- ✿ Egyes munkadarabok mérgező tartósítószeranyagokat tartalmazhatnak. Kerülje az ilyen anyagok megmunkálása során a fűrészpor belélegzését.
- ✿ Vékony anyagok fűrészése esetén győződjön meg róla, hogy a levágott részek nem hullanak a fűrész védőburkolatába.
- ⚠ **VIGYÁZAT!** Porképződés kísérté munkavégzéskor használjon arcpajzsot és védőszemüveget. DIN 58214 standardnak megfelelő védőszemüveget viseljen. Munkaszemüveg nélküli munkavégzés esetén a szembe idegen tárgy kerülhetnek (pl. szilánkok, forgácsok). Ez tartós látáskárosodáshoz vezethet. A DIN standardnak nem megfelelő munkaszemüveg használata a védőüveg esetleges összetörése miatt súlyos személyi sérülést okozhat. **VIGYÁZAT!** A konkrét munkavégzésnek megfelelő konkrét fűrész tárcsát használjon. A fűrészrel kizárólag fát, fa anyagokat, lágy fémeket (pl. alumíniumot) vágjon. Más anyagok szétszakadhatnak vagy kiugorhatnak, ráragadhatnak a fűrész tárcsára vagy más kockázattal járhatnak.

- ⚠ VIGYÁZAT!** Ne használjon csiszoló korongokat
- A fűrész tárcsán látható nyíl iránya a forgásirányt jelzi, és egyeznie kell a fűrész burkolatán található nyíl irányával. A fűrész tárcsa fogainak a fűrész forgásirányával egyező irányban kell elhelyezkedniük (lefelé és előrefelé).
 - Tartsa tisztán a fűrész tárcsát és a karima szorító felületét. A fűrész tárcsa karimájának minden esetben a forgólapba befelé (a fűrész tárcsa felé) kell illeszkednie.
 - Ellenőrizze le, hogy minden befogó és szorító eszköz meg van húzva, és egyiknél sincs nagy holtjáték.
- ⚠ VIGYÁZAT!** Soha ne vágjon a kezében tartott tárgyakat.
- ⚠ VIGYÁZAT!** Ellenőrizze le, hogy a már levágott munkadarabok nem érintkezhetnek a fűrész tárcsával, mivel azokat a fűrész tárcsa elkaphatja és kidobhatja.
- ⚠ VIGYÁZAT!** Soha ne vágjon egy munkadarabnál többet egyszerre.
- ⚠ VIGYÁZAT!** Fokozottan óvatosan járjon el, ha különösen nagy, kicsi vagy szabálytalan munkadarabokat kíván fűrészelni.
- ⚠ VIGYÁZAT!** A munkadarab vágni kívánt oldalán nem található semmilyen szög vagy más idegen tárgy.
- ⚠ VIGYÁZAT!** Senki ne állhat a fűrész közelében vagy mögött, ahova a szilánkok és forgácsok repülnek.
- ⚠ VIGYÁZAT!** Ne használja a fűrész tűzifa vágására.
- ⚠ VIGYÁZAT!** Ne próbálja megállítani a fűrész tárcsa forgását azzal, hogy az oldalát nyomja.
- ⚠ VIGYÁZAT!** Ne használjon méreteiben vagy formai kialakításában a szerszám paramétereinek meg nem felelő fűrész tárcsákat. Fűrészelés előtt rögzítse fixen a munkadarabot, pl. satuba /nem képezi a csomagolás részét /.
- ⚠ VIGYÁZAT!** Tartsa a kezét távol a vágástértől és a fűrész tárcsától. A másik kezével tartsa a segédmarkolatot vagy a motor burkolatát. Ha a fűrész mindkét kezével tartja, a fűrész tárcsa nem vághatja meg.
- ⚠ VIGYÁZAT!** A vágási mélységet min. a munkadarab vastagságának megfelelően állítsa be.
- ⚠ VIGYÁZAT!** Ha olyan munkát végez, amelynek során a szerszám rejtett elektromos vezetékkel, vagy a saját csatlakozókábelével érintkezhet, az elektromos szerszámot a megmarkolására szánt, kettős szigeteléssel ellátott pontokon fogja.
- ⚠ VIGYÁZAT!** A fűrész két kezével tartsa, és biztosítsa, hogy ellenálljon a gép esetleges visszaütésének. A fűrész tárcsa egyik vagy másik oldalán tartózkodjon, soha ne egy vonalban a fűrész tárcsával.
- ⚠ VIGYÁZAT!** Hosszirányú vágás esetén mindig használjon párhuzamos vezetőlécet.

- ⚠ **VIGYÁZAT!** Soha ne használjon sérül vagy helytelen alátéteket vagy szorító elemeket.
- ⚠ **VIGYÁZAT!** Ha a fűrész tárcsa megszorult, vagy a vágás bármilyen más okból kifolyólag elakad, engedje fel a kapcsolót, és tartsa a fűrész anélkül, hogy az anyagban mozgatná mindaddig, amíg a fűrész tárcsa forgása teljesen le nem áll.
- ⚠ **VIGYÁZAT!** Soha ne próbálja kivenni a fűrész a vágásból, vagy visszahúzni, amíg a fűrész tárcsa mozog. Ellenkező esetben a gép visszaüthet.
- ⚠ **VIGYÁZAT!** Ha ismét be kívánja indítani a munkadarabra illesztett fűrész, központosza ki a tárcsát a vágásban, és ellenőrizze le, hogy a fűrész tárcsa fogai nem szorulnak-e az anyagban. **VIGYÁZAT!** Támassza alá a nagyobb méretű munkadarabokat annak érdekében, hogy minimalizálja a fűrész tárcsa beszorulásának, vagy a gép visszaütésének veszélyét.
- ⚠ **VIGYÁZAT!** Soha ne használjon tompa, vagy más módon sérült fűrész tárcsát.
- ⚠ **VIGYÁZAT!** Vágás előtt fixen húzza meg a vágási mélységét és a gérvágást beállító karokat.
- ⚠ **VIGYÁZAT!** Fokozott figyelemmel járjon el különösen akkor, amikor az anyag közepén kíván bevágni, pl. létező falakban vagy rejtett területeken.
- ⚠ **VIGYÁZAT!** A fűrész soha ne használja a fűrész tárcsára felhelyezett védőburkolat nélkül.

Alsó védőburkolat

- ⚠ **VIGYÁZAT!** Minden használat előtt ellenőrizze le, hogy az alsó védőburkolat megfelelően záródik.
- ⚠ **VIGYÁZAT!** Ne használja a fűrész, ha az alsó védőburkolat nem mozog szabadon, és nem záródik azonnal! Soha ne rögzítse, ne kösse ki az alsó védőburkolatot nyitott állásban. **VIGYÁZAT!** Ellenőrizze le az alsó védőburkolat rugójának működését. Ha a védőburkolat vagy a rugó nem működnek megfelelően, használat előtt javításra szorulnak.
- ⚠ **VIGYÁZAT!** Az alsó védőburkolatot csak speciális vágások esetén szabad kézzel lehúzni, pl. anyag közepére szánt nyílások kivágásakor vagy bonyolult szög vágásokhoz. Emelje fel az alsó védőburkolatot a lehúzó markolat segítségével, és amint a fűrész tárcsa belemélyed az anyagba, az alsó védőburkolatot ki kell oldani.
- ⚠ **VIGYÁZAT!** Mielőtt a fűrész munkasztalra vagy padlóra állítaná, minden esetben ellenőrizze le, hogy az alsó védőburkolat takarja-e a fűrész tárcsát.

Kitámasztó ék

- ⚠ **VIGYÁZAT!** Az adott fűrész tárcsának megfelelő kitámasztó éket használjon.
- ⚠ **VIGYÁZAT!** A kitámasztó éket a használati útmutatóban ismertetett módon használja.
- ⚠ **VIGYÁZAT!** A merülő vágás kivételével minden esetben használjon kitámasztó éket.

- ⚠ **VIGYÁZAT!** A kitámasztó ék működéséhez illeszkednie kell a munkadarabban található vágásba.
- ⚠ **VIGYÁZAT!** Ne használja a fűrész, ha a kitámasztó ék elgörbült.
- ⚠ **VIGYÁZAT!** Ellenőrizze le, hogy a kitámasztó ék úgy került beállításra, hogy a kitámasztó ék és a fűrész tárcsa koszorú közötti távolság nem több 5 mm-nél, és a fűrész tárcsa koszorúja nem hatol be 5 mm-nél jobban a kitámasztó ék alsó szélébe.
- ⚠ **VIGYÁZAT!** Fűrész tárcsa-cserekor ügyeljen arra, hogy a vágásszélesség ne legyen kisebb, mint a kitámasztó ék mélysége.

Kerülje el a fűrész visszaütését

- ⚠ **VIGYÁZAT!** Visszaütésre akkor kerül sor, ha nyomóerő hatásának teszi ki a fűrész tárcsát, és ez a fa gyors és váratlan kiugrásához vezet. A visszaütés különösen veszélyes, ugyanakkor azonban minimalizálható, ha ismeri az okait, és elkerüli azokat.
- ✿ A fűrész tárcsa sarkának szorosan érintkeznie kell a munkadarabbal.
- ✿ Minden esetben két kézzel fogja a fűrész. A vágott munkadarabot támassza alá nagyméretű panelekkel.
- ✿ Hosszú, meghajlásra, elgörbülésre vagy beszorulásra hajlamos munkadarabok vágása esetén fokozott figyelemmel végezze a munkát.
- ✿ Soha ne vágjon középen az aláhelyezett fadarab között. A fa felborulhat, és a fűrész tárcsa beszorulhat.
- ✿ Soha ne vágjon a feje fölött.
- ✿ Ne nyomja a fűrész. Hagyja, hogy a fűrész tárcsa a saját sebességével haladjon.
- ✿ Biztosítsa a karimát kapcsokkal vagy satuval, ezzel megelőzi a rezgést és egyenetlen vágást.
- ✿ A forgó tárcsa nem tér el a vágási vonaltól, ez a fűrész kiugrását eredményezheti a vágásból.
- ✿ Vágás előtt ellenőrizze le a fát, és távolítsa el belőle minden csavart, kapcsot, szöveget.
- ✿ Vegye ki a fűrész tárcsáját, ha már tompa.
- ✿ Kizárólag EN 847-1 szabványnak köszönhető fűrész tárcsákat használjon, és soha ne használjon gyorsvágó acélból (High Speed Steel - HSS) készült tárcsákat.
- ⚠ **VIGYÁZAT!** A halláskárosodás megelőzése érdekében használjon fülvédőt! Használjon megfelelő védőeszközt a veszélyes por belélegzésével szemben.
- ⚠ **VIGYÁZAT!** A fűrész tárcsákkal folytatott munkavégzés során viseljen munkakesztyűt - a fűrész tárcsákat lehetőség szerint tartsa tartóban.
- ⚠ **VIGYÁZAT!** Használjon zajjal, porral, rezgéssel szemben alkalmazott védőeszközöket !!!
- ⚠ **VIGYÁZAT!** Jól őrizze meg a jelen biztonsági rendelkezéseket.

5. HASZNÁLAT ÉS ÜZEM

A kézi körfűrész egyenes favágásra alkalmas fűrész tárcsával kerül leszállításra. A fűrész tárcsa cseréjét követően a géppel műanyagokat, hőre lágyuló műanyagokat, kemény műanyagokat, rétegelt műanyagokat, kemény hab lemezeket, ásványi gyapot lemezeket, cementlapokat, porusbetont és vasmentes fémekből készült termékeket is vághat. A fűrész rendeltetésszerűen kizárólag otthoni, illetve barkács célokra használható. Bármilyen más használat szigorúan tilos.

Munkavégzés a körfűrészsel

- ✿ Kapcsolja be a fűrész, és a fűrészelés, azaz a munkadarabhoz érés előtt várja meg, amíg eléri a maximális fordulatszámot.
- ✿ Ne nyomja túlságosan a fűrész, hagyja, hogy elegendő ideje legyen a vágásra.
- ✿ A fűrész előírászerűen, két kézzel fogja. A fűrész ily módon kezelhető a legkönnyebben.
- ✿ A vágott részt automatikusan hozzányomódik a gép billenő burkolatához.
- ✿ Vágáskor egyenletesen és könnyedén nyomja előrefelé a fűrész.
- ✿ A levágni kívánt résznek a fűrész jobb oldalán akkorának kell lennie, hogy az alaplap széles része teljes egészében a felületen helyezkedjen el.

Párhuzamos ütköző használata (lásd a 3. ábrát)

- ✿ A párhuzamos ütköző /6/ max. 10 cm távolságban párhuzamos vágást tesz lehetővé.
- ✿ Lazítsa meg az állítócsavart /5/- jobbra elforgatva
- ✿ Helyezze a párhuzamos ütközőt /6/ a fűrész talpába /8/.
- ✿ Állítsa be a párhuzamos ütköző segítségével a kívánt távolságot, majd húzza meg az állítócsavart /5/ - balra elforgatva
- ✿ Csavarozza le a beállító csavart.
- ✿ Állítsa be a párhuzamos ütközőt a mércének megfelelően, eközben vegye figyelembe a fűrész tárcsa vastagságát is.

⚠ VIGYÁZAT! Az éles vágás előtt először végezzen próbavágást a munkadarab hulladékán.

Fűrész tárcsa csere (lásd az 5. ábrát)

⚠ VIGYÁZAT! A fűrész tárcsa cseréje előtt minden esetben húzza ki a fűrész az elektromos hálózatról.

⚠ VIGYÁZAT! Kizárólag éles, ép fűrész tárcsákat használjon. A sérült vagy elgörbült fűrész tárcsákat haladéktalanul ki kell cserélni.

⚠ VIGYÁZAT! Ellenőrizze le, hogy az orsóátmérő és a tárcsa nyílása átmérője megegyeznek.

- ✿ A rögzítő anyát a karimakulcs / 14/ segítségével húzza meg, és az óramutatókkal ellentétes irányba forgatva a hatlapfejű kulccsal / 13/ lazítsa meg.
- ✿ Húzza le a fűrész tárcsa védőburkolatát, és vegye ki a rögzítő csavart, alátétet és karimát.
- ✿ Vegye ki a régi fűrész tárcsát, majd helyezze be az új tárcsát úgy, hogy a fogai a szilárd tárcsaborkolaton látható, forgásirányt jelölő nyílnek megfelelően nézzenek.
- ✿ Nyomja le a tengelyzár karját. Zárja le a fűrész tárcsa védőburkolatát
- ✿ Helyezze be a karimát, alátétet és rögzítő csavart, majd húzza meg.

Vágásmélység beállítás (lásd a 6. ábrát)

- ✿ Balra forgatva állítsa be a beállító csavart / 10/.
- ✿ Tolja lefelé a fűrész talpat / 8/.
- ✿ A mérce segítségével állítsa be a kívánt vágási mélységet. A vágás felső vonalának kb. 2 mm-rel ki kell állnia a faanyagból, majd húzza meg a beállító csavart / 4/.
- ✿ Max. vágásmélység a 45° alatti gérvágás esetén érhető el.

A gérvágási szög beállítása (lásd a 7. ábrát)

- ✿ Csavarozza le a beállító csavart / 4/.
- ✿ A kívánt gérvágási szöget a skála / 16/ segítségével 0-45° tartományban állíthatja be.
- ✿ Húzza meg a beállító csavart / 4/.

A kitémasztó ék beállítása

- ✿ Nyissa fel a billenő burkolatot, és fogja fixen.
- ✿ Csavarozza ki a csavarokat.
- ✿ Állítsa be a kitémasztó éket, majd csavarozza vissza a csavarokat.

A szerszám bekapcsolása előtt

A szerszám bekapcsolása előtt ellenőrizze le, hogy a fűrész tárcsa megfelelően van a helyére rögzítve, valamint hogy minden mozgó rész szabadon mozog, illetve minden beállító csavar megfelelően meg van húzva.

A szerszám beindítása és kikapcsolása (lásd a 8. ábrát)

A szerszám kettős működésű biztonsági kapcsolóval felszerelt: a fűrész kizárólag abban az esetben indítható be, ha fixen fogja a markolatot, és mindkét biztonsági kapcsolót nyomja. A markolat elengedésekor a fűrész automatikusan kikapcsol, így módon a gép véletlenszerűen nem kapcsolhat be.

A szénkefék cseréje

⚠ VIGYÁZAT! A szénkefék begyulladására esetén a keféket azonnal kapcsolja ki, és forduljon a FAST ČR, a.s. legközelebbi márkaszervizéhez, vagy a készülékek legközelebbi forgalmazójához.

- ☼ Kizárólag megfelelő típusú szénkeféket használjon.
- ☼ Az új szénkefék behelyezését követően hagyja kb. 5 percig üresjáratban futni a körfűrész.

6. TISZTÍTÁS ÉS KARBANTARTÁS

- ☼ Tartsa tisztán, pormentesen a motor szellőzőnyílásait.
- ☼ Ha a fűrész tárcsa megsérül, haladéktalanul cserélje ki azonos típusú új tárcsára.

⚠ VIGYÁZAT! Tisztítás és karbantartás előtt minden esetben húzza ki a szerszám csatlakozókábelét a dugaljából.

- ☼ A szerszám nem igényel semmilyen különleges karbantartást, elegendő rendszeresen áttörölni a burkolatát enyhén benedvesített ruhadarabbal.
- ☼ Rendszeresen tisztítsa meg a szellőzőnyílásokat.
- ☼ Soha semelyik részt ne tisztítsa kemény, éles vagy csiszoló hatású tárggyal.

TISZTÍTÁSI ÉS KARBANTARTÁSI TIPPEK

- ☼ A szerszámot, annak tartozékait és használati útmutatóját eredeti csomagolásban tárolja, így minden esetben valamennyi szükséges tartozék és információ a rendelkezésére áll majd.
- ☼ Hosszabb üzemszünet esetén ne tárolja a szerszámot magas hőmérsékletű helyiségben.
- ☼ Lehetőség szerint a szerszámot állandó hőmérsékletű és páratartalmú helyiségben tárolja.
- ☼ Akadályozza meg, hogy a szerszám nedvességgel vagy vízzel érintkezzen. Ügyeljen a jelen használati útmutatóban szereplő utasítások betartására.

7. MŰSZAKI ADATOK

ELEKTROMOS KÖRFŰRÉS:	
Hálózati feszültség	230 V/50 Hz
Teljesítmény	1300 W
Rezgési sebesség	4 500 ford./perc
Védelmi osztály	II
Fréztárcsa	Ø 185 mm
Maximális vágási mélység	45 mm/90°, 28mm/45°
Csatlakozókábel hossza	1,8 m
Tanúsított zajszint	106,5 dB(A)
Rezgések	$a_p=2.462 \text{ ms}^{-2}$, $k=1.5 \text{ ms}^{-2}$

Használati útmutató - nyelvi változat.

A szöveg és műszaki paraméterek változtatásának joga fenntartva.

A szöveg, kivétel és műszaki specifikációk előzetes figyelmeztetés nélkül változhatnak és a változtatások joga fenntartva.

Hibakeresés

A feltételezett hibás működés elhárítása általában megoldható a használó által. Ennek érdekében kérjük, olvassa el az alábbi megoldási javaslatokat. A legtöbb esetben a probléma elhárítása gyorsan történik.

FIGYELEM!

Csak az alábbiakban részletezett műveleteket végezze el! Ha ezek alapján nem tudja elhárítani a problémát, bármiféle további ellenőrzés, karbantartás, javítás csak az arra felhatalmazott szervizben, illetve képzett szakember által történhet!

Probléma	Feltételezett ok	Megoldás
1. A készülék nem kapcsolható be	1.1 Nem csatlakozik hálózati áramforráshoz 1.2 A tápkábel, illetve csatlakozó sérült 1.3 Elektromos meghibásodás	1.1 Csatlakoztassa a készüléket elektromos hálózathoz 1.2 Javítsa meg a tápkábelt, illetve a csatlakozót villanszerelővel 1.3 Ellenőriztesse, illetve javítsa meg a készüléket szakemberrel
2. A készülék nem üzemeltethető nagy teljesítménnyel	2.1 A hosszabbító kábel nem megfelelő a készülék üzemeltetéséhez 2.2 Az áramforrás (pl. generátor) alacsony feszültséget biztosít 2.3 A szellőzőnyílások eltömődtek	2.1 Használjon megfelelő hosszabbító kábelt 2.2 Csatlakoztassa a készüléket megfelelő áramforráshoz 2.3 Tisztítsa meg a szellőzőnyílásokat
3. Nem kielégítő eredmény	3.1 A malomkő veszteség /sérült 3.2 A malomkő nem megfelelő a munkadarab anyagához	3.1 Cserélje ki a malomkő 3.2 Használjon megfelelő malomkő
4. Erős vibráció, illetve zaj	4.1 A malomkő veszteség /sérült 4.2 A rögzítés kiengedett, laza	4.1 Cserélje ki a malomkő 4.2 szorítsa meg a rögzítést

8. MEGSEMMISÍTÉS

UTASÍTÁSOK ÉS TÁJÉKOZTATÓ A HASZNÁLT CSOMAGOLÓANYAG KEZELÉSÉRŐL.

A használt csomagolóanyagot helyezze a község által erre a célra kijelölt hulladékgyűjtőbe.

A HASZNÁLT ELEKTROMOS ÉS ELEKTRONIKUS BERENDEZÉSEK LIKVIDÁLÁSA



A termékeken vagy a kísérő dokumentumokban levő jel azt jelzi, hogy a használt elektromos és elektronikus termékeket tilos a megszokott települési hulladékba rakni. A megfelelő likvidálás, felújítás vagy újrahasznosítás céljával adja át ezen termékeket a kijelölt gyűjtőhelyre. Az EK némely országában vagy más európai országokban alternatív módon a terméket visszaviheti az értékesítőnek, akitől a terméket megvásárolta egy új, ekvivalens termék vásárlása esetén. Ezen termék megfelelő likvidálásával hozzásegít az értékes természeti kincsek megőrzéséhez és segíti a környezetre és emberi egészségre gyakorolt potenciális negatív hatások megelőzését, ami a helytelen hulladék likvidálás következménye lehet. A további részleteket a helyi hivatalban vagy a legközelebbi gyűjtőhelyen kaphat. Az ilyen jellegű hulladék helytelen likvidálása a nemzeti előírásoknak megfelelően bírsággal sújtható.

Az Európai Közösség országaiban működő cégek részére

Ha elektromos vagy elektronikus berendezéseket kíván likvidálni, kérje ki a szükséges információkat az kereskedelmi képviselőjénél vagy az áru értékesítőjénél.

Likvidálás az Európai Közösségen kívüli országokban

Ez a jel az Európai Közösségen belül érvényes. Ha ezen terméket kívánja likvidálni, a megfelelő likvidálást illetően kérje a tájékoztatást a helyi hivatalokban vagy áru értékesítőjénél.



Ezen termék megfelel az EK szabványok alapvető követelményeinek, amelyek a terméket érintik.

A szöveg, formatervezés és műszaki specifikációk változása megengedett előzetes figyelmeztetés nélkül és fenntartjuk magunknak a jogot azok módosítására.

Pilarka tarczowa elektryczna z laserem AC

INSTRUKCJA OBSŁUGI

Dziękujemy za dokonanie zakupu pilarki tarczowej elektrycznej. Przed rozpoczęciem użytkowania należy dokładnie zapoznać się z treścią niniejszej instrukcji obsługi i zachować ją na przyszłość.

SPIS TREŚCI

1. OGÓLNE PRZEPISY BEZPIECZEŃSTWA	82
2. SYMBOLE I PIKTOGRAMY	87
3. OPIS MASZYNY I ZAWARTOŚĆ DOSTAWY	88
4. ZASADY BEZPIECZEŃSTWA	89
5. ZASTOSOWANIE I EKSPLOATACJA	93
6. CZYSZCZENIE I KONSERWACJA	95
7. DANE TECHNICZNE	96
8. LIKWIDACJA	98

1. OGÓLNE PRZEPISY BEZPIECZEŃSTWA

⚠ UWAGA! Przed użyciem należy uważnie przeczytać instrukcję użytkownika.

Ważne uwagi dotyczące bezpieczeństwa

- ✿ Produkt należy starannie rozpakować, należy zwrócić uwagę na wyjęcie z opakowania wszystkich części produktu.
- ✿ Produkt należy przechowywać w miejscu suchym, zabezpieczyć przed dostępem dzieci.
- ✿ Przeczytać wszelkie uwagi i instrukcje. Zaniedbania w stosunku do uwag i instrukcji mogą być powodem urazu, pożaru i/lub ciężkiego zranienia.

Opakowanie

Produkt jest zapakowany do opakowania chroniącego go przed uszkodzeniem w czasie transportu. Opakowanie jest surowcem wtórnym i należy poddać je recyklingowi.

Instrukcja obsługi

Przed rozpoczęciem korzystania z urządzenia należy zapoznać się z poniższymi przepisami bezpieczeństwa i instrukcją obsługi. Należy zapoznać się z elementami obsługi i właściwym korzystaniem z urządzenia. Instrukcje należy przechowywać w celu późniejszego z niej korzystania. Przez okres trwania gwarancji zaleca się przechowanie oryginalnego opakowania wraz z materiałami opakunkowymi, dokumentem zakupu i kartę gwarancyjną. Przechowanie opakowania ułatwi w przyszłości ewentualny transport urządzenia (przeprowadzka, odesłanie do naprawy).

📖 Uwaga: Jeżeli nastąpi przekazanie urządzenia innym użytkownikom, należy przekazać również instrukcję obsługi. Stosowanie się do zaleceń zawartych w instrukcji zapewni właściwe użytkowanie urządzenia. Instrukcja obsługi zawiera również instrukcje konserwacji urządzenia i napraw.

Producent nie ponosi odpowiedzialności za wypadki lub szkody powstałe w wyniku nie stosowania się do niniejszej instrukcji obsługi.

OGÓLNE UWAGI DOTYCZĄCE BEZPIECZEŃSTWA

Należy zapoznać się z niniejszymi uwagami dotyczącymi bezpieczeństwa, zapamiętać je i przechowywać

⚠ UWAGA! Podczas użytkowania maszyn i narzędzi elektrycznych należy stosować się do poniższych uwag w celu uniknięcia porażenia prądem elektrycznym, zranienia i niebezpieczeństwa wywołania pożaru. Pod pojęciem „narzędzia elektryczne” dla celów poniżej zamieszczonych uwag rozumie się narzędzie elektryczne zasilane z instalacji elektrycznej (przewód zasilający) jak również narzędzie zasilane z akumulatora (bez przewodu zasilającego). Należy przechować wszystkie ostrzeżenia i zalecenia w celu wykorzystania w przyszłości.

Środowisko pracy

- ✿ Stanowisko pracy należy utrzymywać w czystości i dbać o prawidłowe oświetlenie. Bałagan i miejsca nie doświetlone na stanowisku pracy bywają przyczyną wypadków. Należy uprzątnąć narzędzia w danej chwili nie używane.
- ✿ Nie używać narzędzi elektrycznych w środowisku zagrożonym pożarem lub wybuchem, tzn. tam gdzie występują ciecze palne, gazy lub zapylenie. W narzędziu elektrycznym powstaje iskrzenie na komutatorze, mogące powodować zapalenie oparów lub pyłu.
- ✿ Przy użytkowaniu narzędzia elektrycznego nie dopuszczać do stanowiska pracy osób postronnych i dzieci! Przeszkadzanie w pracy może spowodować utratę kontroli nad wykonywaną czynnością. Nigdy nie należy pozostawiać narzędzi elektrycznych bez nadzoru. Nie dopuszczać zwierząt w pobliże urządzeń.

Bezpieczeństwo użytkowania urządzeń elektrycznych

- ✿ Wtyczka przewodu zasilania musi być zgodna z gniazdkiem sieciowym. Nigdy nie należy naprawiać wtyczki. Narzędzia zaopatrzonego we wtyczkę wyposażoną w kontakt ochronny nie należy przyłączać do zasilania używając trójnika lub innego adaptera. Nieuszkodzone wtyczki i odpowiednie gniazdka sieciowe zapobiegają porażeniu prądem elektrycznym. Uszkodzone lub splątane przewody zasilające zwiększają zagrożenie porażenia prądem elektrycznym. Jeżeli przewód zasilający jest uszkodzony, należy wymienić go na nieuszkodzony, który można zakupić w autoryzowanym zakładzie naprawczym lub u importera.
- ✿ Wystrzegać się w czasie pracy dotykania przedmiotów uziemionych, jak np. instalacja wodociągowa, grzejniki, kuchenki elektryczne i lodówki. Niebezpieczeństwo porażenia prądem elektrycznym jest większe, jeżeli występuje bezpośredni kontakt z ziemią.

- ✿ Nie narażać narzędzi elektrycznych na bezpośredni kontakt z deszczem, wilgocią. Nie wolno dotykać narzędzi elektrycznych mokrymi rękoma. Nie należy myć narzędzi elektrycznych pod bieżącą wodą ani zanurzać ich we wodzie.
- ✿ Nie używać przewodu zasilającego do celów innych, niż wynika to z jego przeznaczenia. Nigdy nie należy przenosić i ciągnąć urządzeń elektrycznych za przewód zasilający. Nie wyłączać wtyczki pociągając za przewód. Chronić przewody zasilające przed uszkodzeniem mechanicznym spowodowanym przez ostre lub gorące przedmioty.
- ✿ Narzędzie elektryczne jest przystosowane wyłącznie do zasilania prądem elektrycznym zmiennym. Zawsze należy sprawdzić, czy napięcie elektryczne odpowiada wartości zamieszczonej na tabliczce znamionowej narzędzia.
- ✿ Nigdy nie należy używać narzędzia z uszkodzonym przewodem zasilania lub wtyczką, które spadło na podłogę i jest w jakimś stopniu uszkodzone.
- ✿ W przypadku używania przedłużacza należy sprawdzić, czy jego parametry techniczne odpowiadają danym umieszczonym na tabliczce znamionowej narzędzia. Jeżeli narzędzie elektryczne używane jest poza pomieszczeniem zadaszonym, należy stosować przedłużacz odpowiedni do użytkowania poza pomieszczeniami zadaszonymi. W razie stosowania przedłużaczy nawiniętych na bęben, konieczne jest ich rozwinięcie, aby nie dopuścić do przegrzania przewodu.
- ✿ Jeżeli narzędzie elektryczne jest użytkowane w dużych pomieszczeniach lub na zewnątrz budynku, dozwolone jest jego użytkowanie, jeżeli jest podłączone do instalacji zaopatrzonej w wyłącznik różnicowoprądowy/RCD/ < 30 mA. Korzystanie z instalacji wyposażonej w wyłącznik różnicowoprądowy /RCD/ zmniejsza ryzyko porażenia prądem elektrycznym.
- ✿ Ręczne narzędzia elektryczne należy chwytać wyłącznie za izolowane uchwyty, dlatego że podczas pracy może nastąpić kontakt urządzenia tnącego lub wierzącego z ukrytym przewodem elektrycznym lub z przewodem zasilającym narzędzie.

Bezpieczeństwo osób

- ✿ Podczas użytkowania narzędzia elektrycznego należy zachować maksymalną ostrożność i uwagę przy wykonywaniu danej czynności. Należy skoncentrować się na wykonywanej pracy. Nie należy wykonywać prac z użyciem narzędzia elektrycznego w stanie zmęczenia, będąc pod wpływem narkotyków, alkoholu lub leków. Nawet chwilowa nieuwaga może spowodować wypadek. Podczas pracy z użyciem narzędzia elektrycznego nie należy jeść, pić, palić.
- ✿ Należy stosować środki ochrony osobistej. Zawsze należy stosować ochronę oczu. Stosować środki ochrony osobistej odpowiednie dla danego rodzaju prac. Środki ochrony takie jak np. maseczka oddechowa, obuwie o podeszwie antypoślizgowej, przykrycie głowy lub ochronniki słuchu używane stosownie do warunków wykonywanej pracy obniżają ryzyko spowodowania wypadku.

- ✿ Należy wystrzegać się przypadkowego włączenia narzędzia. Nie przemieszczać narzędzia podłączonego do sieci elektrycznej, z palcem na włączniku. Przed podłączeniem narzędzia do sieci należy sprawdzić, czy włącznik jest w położeniu „wyłączony”. Przemieszczanie narzędzia z palcem na włączniku lub włączanie do gniazdka sieciowego z załączonym włącznikiem może być przyczyną wypadku.
- ✿ Przed włączeniem narzędzia należy usunąć wszystkie klucze i przyrządy użyte do regulacji. Klucz do regulacji lub przyrząd, pozostawiony w obracającej się części narzędzia elektrycznego może być przyczyną wypadku.
- ✿ Przy pracy należy zajmować stabilną pozycję i równowagę. Pracować tylko w bezpiecznym zasięgu. Nigdy nie należy przeceniać własnych możliwości. Nie używać narzędzi elektrycznych będąc zmęczonym.
- ✿ Należy stosować odpowiedni ubiór. Stosować ubranie robocze. Nie zakładać luźnych ubrań ani nie zakładać biżuterii. Uważać, aby włosy, odzież, rękawice nie znalazły się w zasięgu obracających się lub rozgrzanych elementów narzędzia elektrycznego.
- ✿ Podłączyć urządzenie do odsysania pyłu. Jeżeli narzędzie posiada opcję podłączenia do urządzenia do wychwytywania lub odsysania pyłu, należy je prawidłowo podłączyć i używać. Stosowanie takiego urządzenia może ograniczyć zagrożenia powodowany przez powstający w trakcie pracy pył.
- ✿ Element obrabiany należy odpowiednio zamocować. Należy stosować ściski stolarskie lub imadło do mocowania obrabianego elementu.
- ✿ Nie pracować z narzędziem elektrycznym będąc pod wpływem alkoholu, narkotyków, leków lub substancji uzależniających.
- ✿ Urządzenie nie może być obsługiwane przez osoby (także dzieci) o obniżonych zdolnościach manualnych lub psychicznych lub nie posiadające odpowiedniego doświadczenia i umiejętności jeżeli nie pozostają pod bezpośrednim nadzorem lub, które nie zostały odpowiednio przeszkolone przez osoby odpowiedzialne za ich bezpieczeństwo. Konieczny jest nadzór zapobiegający dostępowi dzieci do narzędzi.

Użytkowanie narzędzia elektrycznego i jego konserwacja

- ✿ W razie wystąpienia problemów w pracy narzędzia należy odłączyć je od zasilania elektrycznego, tak samo należy postąpić przed przystąpieniem do czyszczenia lub konserwacji, przy każdym przemieszczaniu narzędzia i po zakończeniu pracy! Nigdy nie wolno używać do pracy narzędzia uszkodzonego.
- ✿ Jeżeli narzędzie zacznie emitować nienormalny dźwięk lub zapach, natychmiast należy przerwać pracę.
- ✿ Nie należy przeciążać narzędzia elektrycznego. Narzędzie elektryczne będzie pracować wydajniej i bezpieczniej, jeżeli będzie eksploatowane na obrotach, dla których zostało zaprojektowane. Zawsze należy używać narzędzie sprawne, przeznaczone do wykonywania danej pracy. Odpowiednie narzędzie będzie lepiej i bezpieczniej wykonywać pracę dla wykonywania której zostało zbudowane.

- ✿ Nie użytkować narzędzia elektrycznego, którego nie można bezpiecznie włączyć i wyłączyć używając zainstalowanego włącznika. Użytkowanie takiego narzędzia jest niebezpieczne. Uszkodzony włącznik musi być naprawiony przez autoryzowany zakład naprawczy.
- ✿ Narzędzie należy odłączyć od zasilania zanim przystąpi się do jego regulacji, wymiany oprzyrządowania lub konserwacji. Będzie to przeciwdziałać przypadkowemu uruchomieniu.
- ✿ Nie użytkowane narzędzia elektryczne należy uprzętnąć i schować je poza zasięgiem dostępu dzieci i osób niepowołanych. Narzędzie elektryczne w niedoświadczonych rękach może być niebezpieczne. Narzędzia elektryczne należy przechowywać w suchym i zabezpieczonym miejscu.
- ✿ Narzędzia elektryczne należy utrzymywać w dobrym stanie. Regularnie należy sprawdzać ustawienie części ruchomych i ich ruchomość. Sprawdzać, czy nie doszło do uszkodzenia osłon lub innych elementów, co może wpływać na bezpieczeństwo użytkowania narzędzia. Jeżeli narzędzie jest uszkodzone, przed kolejnym użytkowaniem należy spowodować jego naprawę. Wiele wypadków jest spowodowanych z powodu niewłaściwego stanu narzędzia.
- ✿ Przyrządy przeznaczone do cięcia muszą być ostre i czyste. Prawidłowo zadbane i naostrzone narzędzia ułatwiają wykonywanie pracy, przeciwdziałają wypadkom i praca z użyciem takich przyrządów jest łatwa w kontrolowaniu wykonywanej czynności. Zastosowanie innego oprzyrządowania, niż wymienione w instrukcji obsługi może spowodować uszkodzenie narzędzia i stanowić przyczynę wypadku.
- ✿ Narzędzia elektryczne ich oprzyrządowanie, przyrządy robocze należy stosownie z niniejszymi zaleceniami i w sposób przewidziany dla danego narzędzia elektrycznego, biorąc pod uwagę warunki wykonywanej pracy i jej rodzaj. Używanie narzędzia do innych celów może powodować powstanie zagrożenia.

Użytkowanie narzędzia zasilanego z akumulatora

- ✿ Przed włożeniem akumulatora należy upewnić się, że włącznik znajduje się w pozycji „0 – wyłączone”. Zainstalowanie akumulatora w narzędziu włączonym może skutkować wypadkiem.
- ✿ Do ładowania akumulatora należy używać ładowarki zalecanej przez producenta. Stosowanie ładowarki innego typu może skutkować uszkodzeniem akumulatora i powstaniem pożaru.
- ✿ Stosować akumulatory przeznaczone dla danego narzędzia. Stosowanie innych akumulatorów może powodować zranienie lub powstanie pożaru.
- ✿ Jeżeli akumulator nie jest użytkowany, należy przechowywać go w oddaleniu od przedmiotów metalowych, które mogłyby spowodować zwarcie biegunów akumulatora. Zwarcie w akumulatorze może skutkować porażeniem, poparzeniem jak również może spowodować powstanie pożaru.

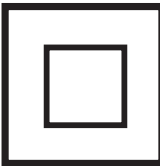
2. SYMBOLE I PIKTOGRAMY



Niniejszy produkt został wyprodukowany zgodnie z obowiązującymi normami.



Przed uruchomieniem urządzenia należy dokładnie zapoznać się z instrukcją obsługi.



Podwójna izolacja.



Sprzęt ochronny dla oczu



Sprzęt ochronny dla uszu



Nie wyrzucac



3. OPIS URZĄDZENIA I ZAWARTOŚCI OPAKOWANIA

Opis pilarki (patrz rys. 1,2)

- 1 - Włęcznik
- 2 - Uchwyt
- 3 - Uchwyt prowadzenia/rękojeść
- 4 - Śruba regulacji kąta nachylenia
- 5 - Śruba regulacyjna prowadnika
- 6 - Prowadnik
- 7 - Osłona tarczy piły
- 8 - Stół
- 9 - Śruba mocowania
- 10 - Śruba regulacyjna głębokości cięcia
- 11 - Przycisk blokady
- 12 - Zaślepka szczotek
- 13 - Klucz sześciokątny
- 16 - Miarka kąta nachylenia

Zawartość dostawy

Maszynę należy ostrożnie wyjąć z opakowania, sprawdzić kompletność zawartości:

- ✿ Pilarka tarczowa
- ✿ Prowadnica
- ✿ 1 szt. tarczy piły
- ✿ Karta gwarancyjna
- ✿ Instrukcja obsługi
- ✿ Klucz sześciokątny
- ✿ Deklaracja zgodności

Jeżeli zostanie stwierdzony brak lub uszkodzenie elementów, należy skontaktować się ze sprzedawcą u którego dokonano zakupu.

4. ZASADY BEZPIECZEŃSTWA

Przed uruchomieniem należy zapoznać się z uwagami dotyczącymi bezpieczeństwa i starannie je zachować dla przyszłego użytku.

- ⚠ **UWAGA!** Symbol oznacza niebezpieczeństwo zranienia lub uszkodzenia urządzenia.
- ⚠ **UWAGA!** W razie niestosowania się do uwag zamieszczonych w niniejszej instrukcji występuje zagrożenie wypadkiem.
- ⚠ **UWAGA!** Ręczna elektryczna pilarka tarczowa spełnia obowiązujące normy i przepisy techniczne.
- ⚠ **UWAGA!** Przed odłożeniem pilarki, należy upewnić się, że wszystkie części są w bezruchu. Specjalne instrukcje bezpieczeństwa przy obsłudze pilarek tarczowych
- ⚠ **UWAGA!** Zagrożenie wypadkiem! Wyłączyć piłę i wyjąć wtyczkę z gniazda zasilania, przed przystąpieniem do wymiany tarczy piły. Przeciwdziała to przypadkowemu uruchomieniu narzędzia.
- ✿ Docisk pilarki tarczowej musi zawsze pozostawać w stałym kontakcie z ciętym materiałem.
- ✿ Ręce muszą znajdować się w bezpiecznej odległości od piły.
- ✿ Nigdy nie należy wkładać rąk pod dolną stronę materiału podczas cięcia.
- ✿ Należy przekonać się, że piła jest ostra, nieuszkodzona i prawidłowo ustawiona. W przeciwnym razie ostrze może złamać się i spowodować uszkodzenie pilarki lub zranienie obsługującego.
- ✿ Nie dotykać piły bezpośrednio po zakończeniu cięcia, może być gorąca.
- ✿ Usunąć klucz regulacyjny z pilarki przed jej uruchomieniem.
- ✿ Niektóre obrabiane materiały mogą zawierać substancje konserwacyjne, które mogą być szkodliwe. Wystrzegać się wdychania pyłu przy obrabianiu takich materiałów.
- ✿ Podczas cięcia cienkich materiałów należy uważać, aby odcięte elementy nie dostały się pod osłonę piły.
- ⚠ **UWAGA!** Przy wykonywaniu prac w zapyleniu należy używać masek przeciwpyłowych i okulary ochronne. Używać okularów ochronnych spełniających standardy DIN 58214. Pracując piłą i nie stosując okularów ochronnych stwarza się zagrożenie dostania się do oczu ciała obcego (np. odłamki, drzazgi). Może spowodować to trwałe uszkodzenie wzroku. Używanie okularów ochronnych nie spełniających wymogów DIN, istnieje zagrożenie zranieniem spowodowanym przez rozbicie szkła ochronnego.
- ⚠ **UWAGA!** Wybrać odpowiednią tarczę dla pracy, która ma być wykonywana. Przy użyciu pilarki można ciąć tylko drewno, materiały drewniane i miękkie metale np. aluminium. Inne materiały mogą rwać się, rozrywać lub mogą być odrzucane, kleić się do tarczy lub stwarzać inne zagrożenie.

- ⚠ **UWAGA!** Nie używać tarczy ściernych.
 - Strzałka na tarczy, która wskazuje kierunek obrotów, musi wskazywać taki sam kierunek co strzałka na osłonie piły. Zęby piły muszą być ustawione w kierunku zgodnym z obrotami piły (kierunek w dół, do przodu).
 - Utrzymywać piłę i zwierająca powierzchnię kołnierza w czystości. Kołnierz piły musi być skierowany do obrotowej płyty w kierunku do wewnątrz (do tarczy).
 - Sprawdzić, czy wszystkie urządzenia mocujące i zamki są dokręcone i czy żadna z części nie ma zbytniego luzu.
- ⚠ **UWAGA!** Nigdy nie ciąć przedmiotów trzymany luźno w ręce.
- ⚠ **UWAGA!** Upewnić się, że odcięte elementy nie mogą dostać się pod piłę, ponieważ mogą zostać chwyczone przez piłę i odrzucone.
- ⚠ **UWAGA!** Nigdy nie należy ciąć więcej niż jeden kawałek materiału na raz.
- ⚠ **UWAGA!** Należy zachować szczególną ostrożność podczas cięcia dużych, bardzo małych i nieregularnych kawałków.
- ⚠ **UWAGA!** W miejscu wykonywanego cięcia nie mogą występować gwoździe lub inne przedmioty obce.
- ⚠ **UWAGA!** Osoby postronne nie mogą przebywać w pobliżu pilarki lub za pilarką, gdzie odrzucane są piliny i odłamki.
- ⚠ **UWAGA!** Nie używać pilarki do cięcia drewna opałowego.
- ⚠ **UWAGA!** Nie zatrzymywać obracającej się piły naciskając ją z boku tarczy.
- ⚠ **UWAGA!** Nie używać tarczy piły, która wymiarowo ani kształtem nie odpowiada wymogom tego narzędzia. Materiał poddawany obróbce przed cięciem dobrze zamocować, np. używając ścisków /nie stanowią elementu dostawy/.
- ⚠ **UWAGA!** Ręce trzymać w odpowiedniej odległości od miejsca cięcia i od piły. Drugą ręką trzymać uchwyt pomocniczy lub osłonę silnika. Jeżeli obie ręce trzymają pilarkę, nie mogą ulec poranieniu przez piłę.
- ⚠ **UWAGA!** Ustawić głębokość cięcia min. na grubość ciętego materiału.
- ⚠ **UWAGA!** Jeżeli wykonywane prace są zagrożone przez możliwy kontakt z ukrytą instalacją elektryczną lub z własnym przewodem zasilania, należy trzymać narzędzie elektryczne w miejscach o powierzchni pokrytej materiałem izolacyjnym przeznaczonych do trzymania.
- ⚠ **UWAGA!** Pilarkę należy mocno uchwycić dwoma rękoma, a ramiona ułożyć w pozycji umożliwiającej przeciwdziałanie sile odrzutu piły. Należy przyjąć pozycję po jednej lub drugiej stronie piły, ale nie w jednej płaszczyźnie z piłą.

- ⚠ **UWAGA!** Przy cięciu wzdłużnym należy zawsze używać prowadnicy lub prostej listwy prowadzącej.
- ⚠ **UWAGA!** Nigdy nie używać uszkodzonych i niewłaściwych podkładek lub ścisków.
- ⚠ **UWAGA!** Jeżeli nastąpi zaciśnięcie piły lub cięcie jest przerwane z innego powodu, należy puścić wyłącznik i nie wykonując żadnego ruchu trzymać pilarkę w materiale do chwili aż piła nie zatrzyma się.
- ⚠ **UWAGA!** Nigdy nie należy próbować wyjąć piły z rzazu lub ją wycofywać, jeżeli piła jest w ruchu. Może nastąpić odrzut piły.
- ⚠ **UWAGA!** Jeżeli ma nastąpić uruchomienie pilarki wprowadzonej w wykonywany rzaz, należy wycentrować piłę w rzazie i sprawdzić czy zęby piły nie są zablokowane w obrabianym materiale.
- ⚠ **UWAGA!** Duże elementy należy podeprzeć, aby zminimalizować możliwość zaciśnięcia piły lub wystąpienie odrzutu.
- ⚠ **UWAGA!** Nie używać do cięcia tępych lub uszkodzonych pił.
- ⚠ **UWAGA!** Przed cięciem należy zablokować dźwignie regulacji głębokości cięcia i dźwignie regulacji kąta cięcia.
- ⚠ **UWAGA!** Szczególną ostrożność należy zachować przy wykonywaniu cięcia w głąb np. istniejących ścian lub zakrytych powierzchni.
- ⚠ **UWAGA!** Nigdy nie należy używać pilarki bez założonej osłony piły.

Dolna osłona

- ⚠ **UWAGA!** Przed każdorazowym użyciem, należy sprawdzić prawidłowość zamykania dolnej osłony.
- ⚠ **UWAGA!** Nie używać pilarki, jeżeli dolna osłona nie porusza się swobodnie i nie zamyka się natychmiast! Nigdy nie należy blokować ruchu dolnej osłony przez zaciśnięcie lub inne zablokowanie w pozycji otwartej.
- ⚠ **UWAGA!** Sprawdzić działanie sprężyny dolnej osłony. Jeżeli osłona i sprężyna nie pracuje prawidłowo, należy ją naprawić przed użyciem pilarki.
- ⚠ **UWAGA!** Dolną osłonę można odciągać ręcznie tylko przy wykonywaniu specjalnych cięć np. wycinania otworów pośrodku materiału lub przy skomplikowanych cięciach pod kątem. Należy podnieść dolną osłonę za pomocą uchwytu i w chwili kiedy piła zagłębi się w materiale należy puścić uchwyt osłony.
- ⚠ **UWAGA!** Przed odłożeniem pilarki na stół warsztatowy lub posadzkę należy sprawdzić, czy osłona zakrywa piłę.

Klin rozwierający

- ⚠ **UWAGA!** Zawsze należy używać klina rozwierającego odpowiedniego do używanej piły.
- ⚠ **UWAGA!** Ustawić klin rozpierający według zaleceń zamieszczonych w Instrukcji obsługi.
- ⚠ **UWAGA!** Oprócz głębokiego ciecia zawsze należy stosować klin rozpierający.
- ⚠ **UWAGA!** Aby klin rozpierający prawidłowo pracował musi wchodzić do rzazu w obrabianym elemencie.
- ⚠ **UWAGA!** Nie należy używać pilarki jeżeli klin rozpierający jest skrzywiony.
- ⚠ **UWAGA!** Należy sprawdzić, czy klin rozpierający ustawiony jest w odległości nie większej niż 5 mm od wieńca tarczy piły, a wieńiec tarczy nie sięga dalej niż 5 mm za dolną krawędź klina rozpierającego.
- ⚠ **UWAGA!** Przy wymianie piły należy uważać, aby szerokość rzazu nie była mniejsza niż głębokość klina rozpierającego.

Unikać odrzutu piły

- ⚠ **UWAGA!** Odrzut elementu następuje najczęściej podczas piłowania wzdłużnego, wskutek zaciskania się piłowanego drewna na uzębieniu tylnej części piły. Odrzut jest bardzo niebezpieczny, ale można zminimalizować jego skutki, po poznaniu przyczyn i ich unikaniu.
- ✿ Stopa piły pilarki musi zawsze pozostawać w stałym kontakcie z materiałem ciętym.
- ✿ Pilarkę należy zawsze trzymać oboma rękami.
- ✿ Należy uważać przy cięciu długich elementów, które mogą wygiąć się, skręcić lub zacisnąć piłę.
- ✿ Nigdy nie należy prowadzić cięcia środkiem pomiędzy podkładkami. Cięty element może spowodować zaciśnięcie piły.
- ✿ Nigdy nie ciąć z pilarką ponad głowę.
- ✿ Nie naciskać na pilarkę. Pozwolić piłę pracować z własną prędkością.
- ✿ Cięty element należy zamocować stosując ściski stolarskie lub imadło, unika się w ten sposób drgań i nierównego rzazu.
- ✿ Pracującą piłę nie należy wyprowadzać z linii cięcia, może spowodować to wyskoczenie piły z rzazu.
- ✿ Przed przystąpieniem do cięcia należy sprawdzić i usunąć z drewna wszelkie śruby, klamry i gwoździe.
- ✿ Jeżeli piła jest tępa, należy ją wymienić.
- ✿ Stosować piły odpowiadające EN 847-1, nigdy nie należy używać pił wykonanych ze stali szybkołatającej (High Speed Steel - HSS).
- ⚠ **UWAGA!** Stosować ochronniki słuchu w celu zapobiegania uszkodzeniu słuchu! Stosować ochronę przed wdychaniem pyłu.

⚠ UWAGA! Podczas pracy wymagającej manipulacji z tarczami pił i nieobrobionym materiałem należy stosować rękawice ochronne – piły jeżeli jest to możliwe należy przenosić stosując uchwyty.

⚠ UWAGA! Stosować środki chroniące przed hałasem, pyłem i drganiami !!!

⚠ UWAGA! Powyższe uwagi dotyczące bezpieczeństwa należy przechowywać.

5. ZASTOSOWANIE I EKSPLOATACJA

Pilarka tarczowa jest dostarczana wraz z piłą przeznaczoną do wykonywania cięć po prostej w materiałach wykonanych z drewna. Po wymianie piły można również ciąć tworzywo sztuczne, termoplastyczne, utwardzane tworzywo sztuczne, laminat, płyty z twardego styropianu, płyty izolacyjne z wełny mineralnej, płyty cementowe, suporeks i produkty wykonane z metali nieżelaznych. Pilarka jest przeznaczona do użytku domowego. Inne użytkowanie pilarki jest zabronione.

Praca z użyciem pilarki

- ✿ Włączyć pilarkę i wczekać do chwili kiedy piła osiągnie pełne obroty, potem można rozpocząć cięcie.
- ✿ Na pilarkę nie należy zbyt mocno naciskać, należy jej pozostawić czas na wykonanie cięcia.
- ✿ Pilarkę należy trzymać oburącz, wykorzystując oba uchwyty.
- ✿ Cięty element automatycznie naciska na uchylną osłonę maszyny.
- ✿ Przy cięciu należy równomiernie posuwać pilarkę w kierunku do przodu.
- ✿ Część, która ma być odcięta musi znajdować się po prawej stronie pilarki, szersza część podstawy pilarki musi znajdować się na płaszczyźnie.

Zamontowanie prowadnicy (patrz rys. 3)

- ✿ Prowadnica /6/ umożliwia cięcie równoległe z krawędzią oddaloną maks. o 10 cm.
- ✿ Odkręcić śrubę regulacyjną /5/- w kierunku w prawo
- ✿ Wstawić prowadnicę /6/ do podstawy pilarki /8/.
- ✿ Ustawić prowadnicę w wymaganej odległości i dokręcić śrubę regulacyjną /5/ - w kierunku w lewo
- ✿ Odkręcić śrubę regulacyjną.
- ✿ Ustawić docisk równoległy zgodnie ze skalą, należy wziąć pod uwagę szerokość rzazu.

⚠ UWAGA! Przed cięciem właściwym należy wykonać próbne cięcie na odpadzie.

Wymiana piły (patrz rys. 5)

- ⚠ **UWAGA!** Przed wymiana piły należy wyłączyć pilarkę z sieci.
- ⚠ **UWAGA!** Używać tylko ostre i nie uszkodzone piły. Pęknięte lub wygięte piły należy natychmiast wymienić.
- ⚠ **UWAGA!** Sprawdzić czy średnica wrzeciona i otwór piły są sobie odpowiadające.
- ✿ Zablokować nakrętkę dociskową stosując klucz 14 i odkręcić ją używając klucza sześciokątnego 13. (lewy gwint).
- ✿ Odciągnąć osłonę piły i wyjąć śrubę mocującą, podkładkę i kołnierz.
- ✿ Wyjąć starą piłę i założyć nową, zęby muszą być ustawione w kierunku obrotu zgodnie ze strzałką na stałej osłonie piły.
- ✿ Nacisnąć dźwignię zamka wałka. Zamknąć osłonę piły.
- ✿ Założyć kołnierz, podkładkę i śrubę mocującą i starannie dokręcić.

Ustawienie głębokości cięcia (patrz rys. 6)

- ✿ Odkręcić śrubę regulacyjną /10/ - w kierunku w lewo.
- ✿ Przesunąć podstawę /8/ w kierunku w dół.
- ✿ Za pomocą miarki ustawić wymaganą głębokość cięcia. Górna linia cięcia musi o około 2 mm wystawać ponad cięty materiał i dokręcić śrubę regulacyjną /4/
- ✿ Maks. głębokość cięcia można osiągnąć przez nastawienie kąta na 45°.

Ustawienie kąta nachylenia (patrz rys. 7)

- ✿ Odkręcić śrubę regulacyjną /4/.
- ✿ Wymagany kąt ustawić według skali /16/ w zakresie 0-45°.
- ✿ Dokręcić śrubę regulacyjną /4/.

Regulacja klina rozpierającego

- ✿ Otworzyć i przytrzymać osłonę ruchomą.
- ✿ Odkręcić śruby.
- ✿ Ustawić klin rozpierający i dokręcić śruby.

Przed włączeniem narzędzia

Przed włączeniem maszyny należy upewnić się czy piła jest prawidłowo zamocowana, czy wszystkie części ruchome swobodnie poruszają się i wszystkie śruby regulacyjne są dobrze dokręcone.

Włączenie i wyłączenie narzędzia (patrz rys. 8)

Narzędzie jest wyposażone w dwuczynnościowy włącznik: pilarkę można uruchomić tylko jeżeli uchwyt jest prawidłowo uchwycony i naciskane są oba przyciski włącznika. Po puszczeniu uchwytu pilarka automatycznie wyłączy się, nie może dojść do przypadkowego włączenia maszyny.

Wymiana szczotek

⚠ UWAGA! Jeżeli nastąpi zapalenie szczotek węglowych, natychmiast należy pilarkę wyłączyć i zwrócić się do najbliższego serwisu firmy FAST ČR, a.s. lub do najbliższego sprzedawcy.

- ✿ Stosować wyłącznie szczotki prawidłowego typu.
- ✿ Po zainstalowaniu nowych szczotek należy pilarkę włączyć i pozostawić ją włączoną przez około 5 minut (nie obciążać).

6. CZYSZCZENIE I KONSERWACJA

- ✿ Otwory wentylacyjne muszą być czyste i wolne od pyłu.
- ✿ Jeżeli nastąpi uszkodzenie piły, należy ją wymienić na piłę takiego samego typu.

⚠ UWAGA! Przed przystąpieniem do czyszczenia i konserwacji należy odłączyć przewód zasilający od sieci.

- ✿ Narzędzie nie wymaga specjalnej konserwacji, należy tylko regularnie wycierać obudowę nawilżoną ścierką.
- ✿ Regularnie należy oczyszczać otwory wentylacyjne.
- ✿ Nigdy nie należy żadnego elementu narzędzia czyścić przy użyciu twardego lub ostrego przedmiotu.

ZALECENIA DOTYCZĄCE CZYSZCZENIA I KONSERWACJI

- ✿ Narzędzie, wyposażenie i Instrukcję obsługi należy przechowywać w oryginalnym opakowaniu, zawsze będąc do dyspozycji wszystkie niezbędne części i informacje.
- ✿ Przy dłuższym trwającym przechowywaniu narzędzia, nie należy go przechowywać w miejscu o wysokiej temperaturze.
- ✿ Jeżeli jest to możliwe należy przechowywać narzędzie w miejscu o stałej temperaturze i wilgotności.
- ✿ Urządzenie należy chronić przed kontaktem z wilgocią i wodą. Stosować się do zaleceń zawartych w niniejszej Instrukcji obsługi.

7. DANE TECHNICZNE

PIŁA TARCZOWA :	
Zasilanie	230 V/50 Hz
Moc	1 300 W
Obroty	4 500 obr./min
Klasa ochrony	II
Tarcza tnaca	Ø185 mm
Maksymalna głębokość skrawania	45 mm w 90°, 28mm w 45°
Długość przewodu zasilającego	1,8 m
Poziom głośności	106.5 dB(A)
Wibracje	$a_h=2.462 \text{ ms}^{-2}$, $k=1.5 \text{ ms}^{-2}$

Instrukcja użytkowania - tylko wersja językowa.

Zastrzega się możliwość zmiany tekstu i parametrów technicznych.

Zmiany tekstu, designu i danych technicznych mogą być dokonywane bez uprzedniego ostrzeżenia. Zastrzegamy sobie prawo do ich zmiany.

Usuwanie usterek

Okazuje się, że c część pojawiających się awarii użytkownik może rozwiązać samodzielnie. Dlatego sprawdź posiadany produkt przy użyciu poniższej sekcji. W większości przypadków problem można szybko rozwiązać.

OSTRZEŻENIE!

Wykonaj jedynie czynności opisane w niniejszej instrukcji! Wszystkie dodatkowe kontrole, prace konserwacyjne i naprawcze mogą być wykonywane jedynie przez autoryzowany serwis lub wykwalifikowanego specjalistę, jeśli problem nie może być samodzielnie rozwiązany !

Problem	Możliwa przyczyna	Rozwiązanie
1. Produkt nie uruchamia się	1.1 nie jest podłączony do źródła zasilania 1.2 Przewód zasilający jest uszkodzony 1.3 Inna usterka elektryczna produktu	1.1 Podłącz do zasilania 1.2 Sprawdź przez specjalistę elektryka 1.3 Sprawdź przez specjalistę elektryka
2. Produkt nie osiąga pełnej mocy	2.1 przedłużacz nie nadaje się do współpracy z tym produktem 2.2 Źródło zasilania (np. Generator) ma zbyt niskie napięcie 2.3 Otwory wentylacyjne są zablokowane	2.1 Użyj odpowiedniego przedłużacza 2.2 Podłącz do innego źródła zasilania 2.3 Oczyszcz otwory wentylacyjne
3. Niezadowolający wynik	3.1 Dysk jest zużyty / uszkodzony 3.2 Dysk nie nadaje się do obrabianego materiału	3.1 Wymień na nowy 3.2 Zastosuj właściwe dyski
4. Nadmierne wibracje lub hałas	4.1 Dysk jest zużyty / uszkodzony 4.2 Śruby / nakrętki są luźne	4.1 Wymień na nowy 4.2 Dokręć śruby / nakrętki

8. LIKWIDACJA

ZALECENIA I INFORMACJE O POSTĘPOWANIU Z ZUŻYTYM OPAKOWANIEM.

Zużyty materiał z opakowania przekazuje się na gminne wysypisko odpadów.

LIKWIDACJA ZUŻYTYCH URZĄDZEŃ ELEKTRYCZNYCH I ELEKTRONICZNYCH



Ten symbol na produktach albo w dokumentach przewodnich oznacza, że zużyte wyroby elektryczne i elektroniczne nie mogą być dodawane do zwykłych odpadów komunalnych. W celu właściwej likwidacji, odzysku i recyklingu trzeba je przekazywać w ustalone zbiorcze miejsca. Alternatywnie w niektórych krajach Unii Europejskiej albo w innych krajach europejskich można zwrócić takie wyroby lokalnemu sprzedawcy przy zakupie nowego, ekwiwalentnego produktu. Właściwa likwidacja tego produktu pomoże zachować cenne źródła naturalne i pomaga w zapobieganiu negatywnym wpływom na środowisko naturalne i zdrowie ludzi, które mogłaby spowodować niewłaściwa likwidacja odpadów. Szczegółowych informacji udziela Urząd gminy albo najbliższe wysypisko odpadów. Przy niewłaściwej likwidacji tego rodzaju odpadu, zgodnie z przepisami krajowymi, może dojść do nałożenia mandatu karnego.

Dotyczy podmiotów gospodarczych w Unii Europejskiej

Jeżeli trzeba zlikwidować urządzenia elektryczne i elektroniczne, to niezbędne informacje należy uzyskać od swojego sprzedawcy albo dostawcy.

Likwidacja w innych krajach poza Unią Europejską

Ten symbol obowiązuje w Unii Europejskiej. Jeżeli chcemy ten wyrób zlikwidować, to niezbędne informacje o właściwym sposobie likwidacji otrzymujemy od urzędów lokalnych albo od swojego sprzedawcy.



Ten wyrób spełnia wszystkie podstawowe wymagania dyrektyw UE, które go dotyczą.

Zmiany w tekście, designie i specyfikacji technicznej mogą nastąpić bez wcześniejszego uprzedzenia i zastrzegamy sobie prawo do ich wprowadzania.

