



**FIELDMANN**<sup>®</sup>  
Home & Garden Performance

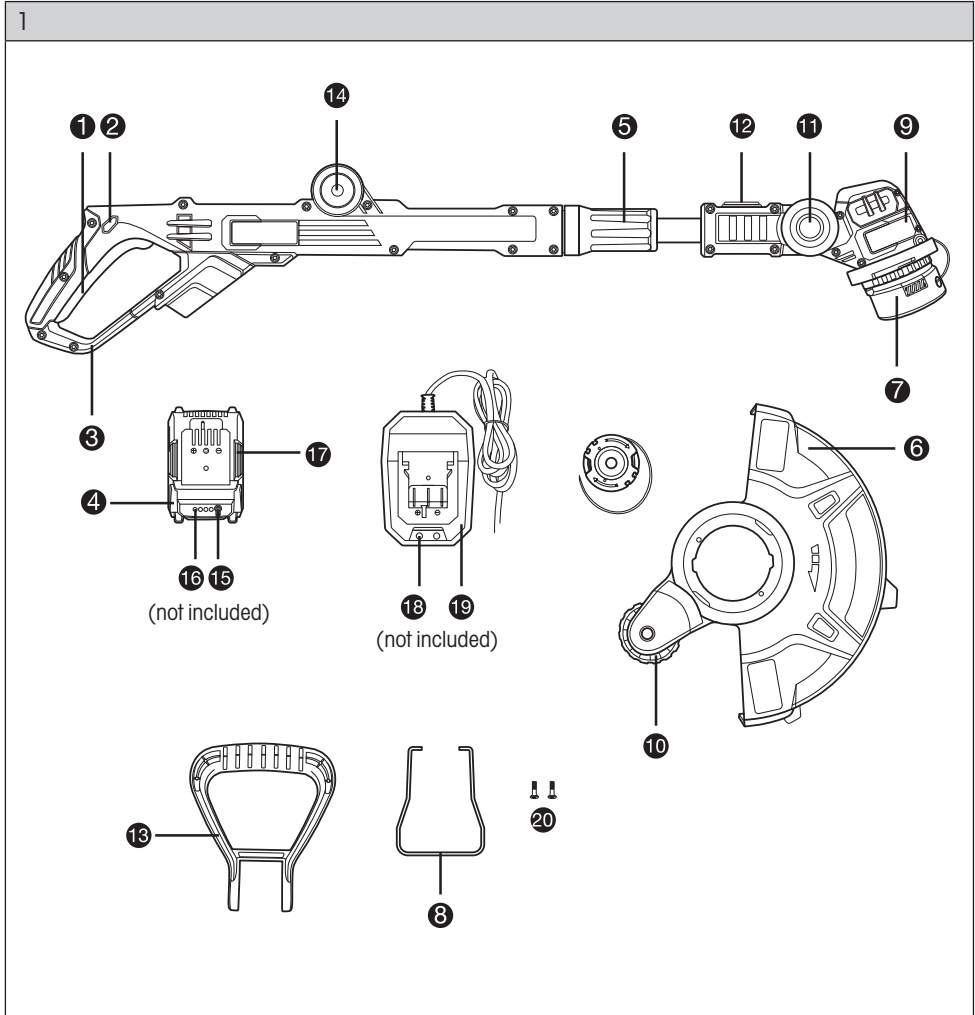
**20V**<sub>Li-ION</sub>  
**FASTPOWER**



FZS 70105-0

---

English .....	7-20
Čeština.....	21-36
Slovenčina .....	37-52
Magyarul .....	53-68
Polski .....	69-84





# Cordless grass trimmer

## USER'S MANUAL

**Thank you for purchasing this garden cordless grass trimmer.  
Before you start using it, please read this user manual carefully and save it for future use.**

## CONTENTS

1. GENERAL SAFETY REGULATIONS.....	6
2. SYMBOLS.....	7
3. DESCRIPTION OF THE MACHINE.....	8
4. ASSEMBLY AND OPERATION.....	8
5. SAFETY INSTRUCTIONS.....	14
6. TECHNICAL DATA.....	16
7. MAINTENANCE AND STORAGE.....	17
8. TROUBLESHOOTING.....	17
9. DISPOSAL.....	18
10. DECLARATION OF CONFORMITY.....	19

# 1. GENERAL SAFETY REGULATIONS

## Important safety notice

- ✿ Carefully unpack the product and take care not to throw away any part of the packaging until all the product parts have been identified.
- ✿ Store the trimmer in a dry place out of reach of children.
- ✿ Read all warnings and instructions. Failure to comply with the warnings and instructions may lead to electric shock, fire and/or serious injuries.


## Packaging

The product's packaging prevents damage during transport. This packaging is a resource and can be recycled.

## User manual

Before you start working with your grass trimmer, read the following safety and usage instructions. Get familiar with the controls and correct use of the equipment. Keep the User manual in a safe place where it can be easily found for future use. Save the original packaging, including the internal packing material, guarantee card and proof of purchase receipt for at least the time of the guarantee.

If you need to ship this machine, pack it in the original cardboard box to ensure maximum protection during shipping or transport (e.g. when moving or when you need to send this product for repair).

-  **Note:** If you hand over the appliance to somebody else, do so together with this user's manual. Following the instructions in the included user's manual is a prerequisite for the proper use of the trimmer. The user's manual also contains operating, maintenance, and repair instructions.

**The manufacturer assumes no responsibility for accidents or damages arising from failure to comply with these instructions.**

## 2. SYMBOLS

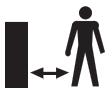


Risk of injury when instructions are not followed.



### **Danger of injury!**

Beware of hurled-away objects.  
Keep bystanders away.



### **Keep other persons in distance!**

**WARNING!** When operating the device, take care that no other persons are nearby (safe distance: 5m). This is particularly valid for children and animals.



Read the Instruction Manual attentively prior to use.



Protect the tool from the damp and never expose it to rain!



Guaranteed sound power level  $L_{wa}$  92 dB (A)



Use ears protective equipment



Use eyes protective equipment

## 3. DESCRIPTION OF THE MACHINE

### Machine description (see fig. 1)

1. On/off switch
2. Safety lock
3. Operating handle
4. Battery pack (not included)
5. Shaft adjustment collar
6. Safety hood
7. Spool and line
8. Flower guard
9. Cutting head
10. Edging wheel
11. Lock for cutting head inclination
12. Edging function convert button
13. Auxiliary handle
14. Push button for adjusting front handle
15. Push button for capacity display
16. Display for remaining capacity
17. Locking button for releasing battery
18. Control lights
19. Battery charger (not included)
20. Screws for fitting safety hood

## 4. ASSEMBLY AND OPERATION

### ⚠ CAUTION!

Risk of injury! On the underside of the safety hood there is a sharp blade designed to cut the thread.

### Fitting the safety guard (See Fig. 2)

- ✿ Turn the grass trimmer upside down. Mount the protective hood on the motor head
- ✿ Then fix the safety guard with 2 screws (20).

### Fitting the Flower Guard (See Fig. 3)

- ✿ Attach the flower guard (8) to the motor housing.

Fig. 2

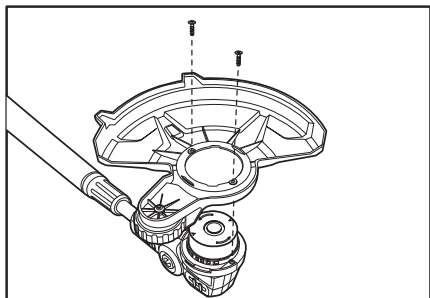
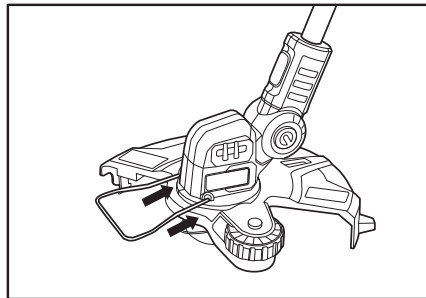


Fig. 3





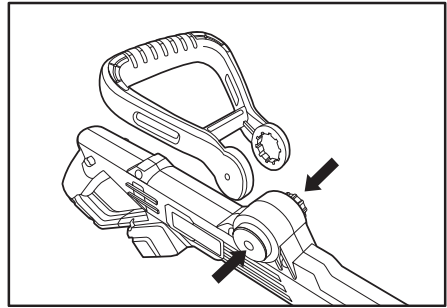
### Fitting the Auxiliary handle (See Fig. 4)

- ✿ Push the button (14), and mount the auxiliary handle into the operating handle.
- ✿ Rotate the auxiliary handle to the required angle.
- ✿ Release the button and ensure the handle clicks into a locked position.

#### **⚠ CAUTION!**

**Risk of injury!** Comply with all safety instructions when handling rechargeable devices.

Fig. 4



#### **⚠ NOTICE!**

**Risk of damage to the unit!** Do not allow the battery pack to deep discharge.

#### **⚠ NOTICE!**

**Risk of damage to the unit!** Do not press the On/Off switch after the device has deactivated automatically.

**📖 NOTE:** The Li-Ion battery pack can be charged at any time without affecting the lifetime of the unit. Interrupting the charging process will not damage the battery pack.

**📖 NOTE:** If the battery is fully loaded, the charger automatically switches over to the maintenance charge function. The battery can thus remain in the charger permanently.

### Removing and inserting the battery pack

**⚠ WARNING!** Make sure that the tool is "OFF".

The battery pack must be charged prior to the first start-up, charging time: around: 60 minutes.

- ✿ Press in the locking button (17) and remove the battery from the device.
- ✿ Insert the battery pack (4) into the charger (19).
- ✿ Plug the charger (19) into the power supply.

The charging status is displayed by the control lights (18).

- ✿ Slot the battery pack (4) into the device and make sure it clicks into place correctly. (See Fig. 5 & 6)

Fig. 5

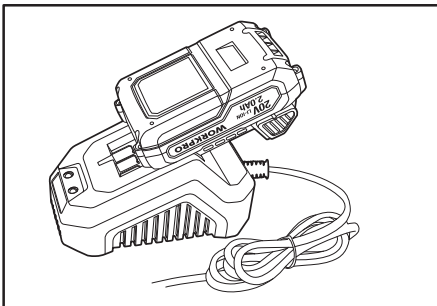
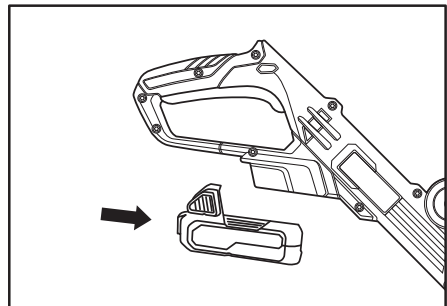


Fig. 6



### Checking the remaining capacity of the battery

- ✿ Press the button (15).
- ✿ The remaining capacity of the battery is displayed by the control lights (16).

### Battery capacity indicator

Press the battery capacity indicator switch. The battery capacity indicator shows the charge status of the battery using 4 LEDs.

#### All 4 LEDs are lit:

The battery is fully charged.

#### 3 or 2 or 1 LED(s) are lit:

The battery has an adequate remaining charge.

#### 1 LED blinks:

The battery is empty, recharge the battery.

#### All LEDs blink:

The battery pack is too hot (e.g. due to direct sunshine or prolonged use) or too cold (below 4°C), do not use or charge the battery pack. make sure the battery temperature to between 40°F(4°C) and 104°F(40°C).

### Check before starting the device!

**⚠ DANGER!** Risk of injury! The device may only be put into operation if there are no defects. If a part is defective it must be replaced before the device is used again.

**⚠ WARNING!** Risk of injury! Before starting work check the area and remove all objects which may be kicked up by the unit.

### Check to make sure the device is in safe operating condition:

- ✿ Check to make sure there are no visible defects.
- ✿ Check to make sure all device components are correctly mounted.

### Proper position

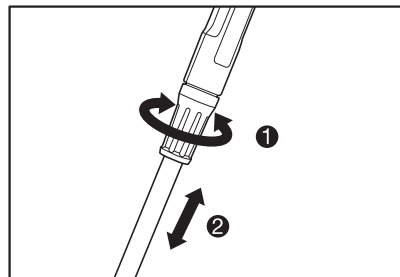
Hold the unit

- ✿ with the left hand on the front handle,
- ✿ and the right hand at approximately hip level on the operating handle,
- ✿ balanced in a comfortable way.

### Setting the length of the unit (See Fig. 7)

- ✿ Slacken the Shaft Adjustment Collar (5)
- ✿ Pull the telescopic pole to the desired length.
- ✿ Retighten the Shaft Adjustment Collar (5) again.

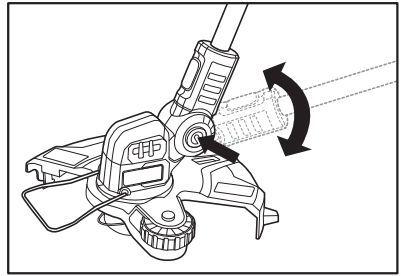
Fig. 7



### Setting the angle of the cutting head (See Fig. 8)

- ✿ Press in and hold the locking button (11).
- ✿ Tilt the cutting head (10) to the required position.
- ✿ Release the locking button (11) and ensure the head clicks into a locked position.

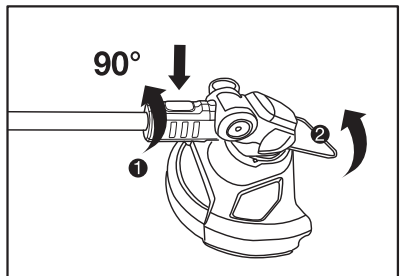
Fig. 8



### Adjusting edging function (See Fig. 9)

- ✿ Adjust the trimmer head to 90 degrees for edging by pressing the locking button (12).
- ✿ Twist the flower protector to an angle of 90°.

Fig. 9



### Switching on and off

- ✿ Switching on: Press the switch lock (2) and simultaneously press the On/Off switch (1).
- ✿ Switching off: Release the on-off switch (1).

### To Increase Line Length

The grass trimmer comes with a full line spool.  
The line wears down during work.

To feed in new line

- ✿ Switch on the device, the line will automatically be increased by the centrifugal force.
- ✿ Switch off and switch on again until the line is increased to the right length. The trimmer line will be cut to the right length by the blade on the safety guard.

### Working Advice

Cutting grass

- ✿ Always hold the trimmer at a safe distance from body and adopt a safe stance.
- ✿ Switch on the unit.
- ✿ Hold the trimmer at an angle of about 20° to the ground and guide the trimmer in a semicircular motion around your standing position. (See Fig. 10)


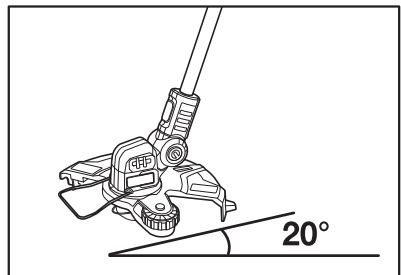
 **NOTE:** For a good cutting performance, cut high grass in stages. Starting from the tip.

Fig. 10



## Trimming Edges

This grass trimmer can be not only used for trimming grass but also used for cutting the lawn edge. Especially, when the lawn edge is close to wall, fence, etc.

The edging function of this device is very helpful, to deal with this kind of situation.

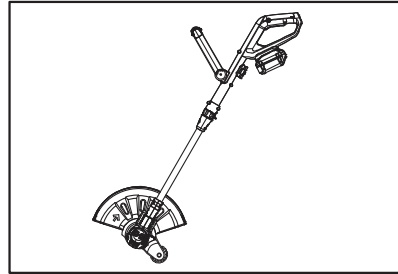
### To convert to cutting edge function.

(See Fig. 9 & 11)

- ✿ Depress the edging function convert button, and hold it in place.
- ✿ Turn the operating handle by 90°, for changing its function to edging mode. Then release the edging function convert button to lock it in place.

Now you have converted the grass trimmer to an edge trimmer for cutting the lawn edge.

Fig. 11



**NOTE:** While edging, only allow the tip of the line to make contact with the area being worked. Do not force the line.

The edging wheel helps to protect the unit and keep the unit from contacting the ground. Take extra caution while edging as objects can be thrown from the trimmer line.

### TIPS

- ✿ For best results, do not cut wet grass because it tends to stick to the cutting head and guard, prevents proper discharge of grass trimmings, and could cause you to slip and fall.
- ✿ Pay special attention when performing the work close to trees and bushes. The cutting head could damage sensitive bark, and damage fence posts.
- ✿ Use the flower protector to avoid cutting device contact with hard objects such as walls and stones.

### Replacing the Nylon Line Spool (See Fig. 12 & 13)

#### **⚠ WARNING!**

Before performing any assembly. Always ensure that the battery pack has been removed. If the nylon cutting line is broken and the nylon spool needs replacing:

- ✿ Press together the both locking devices at the spool cover and remove the spool cover, remove the old spool.

Fig. 12

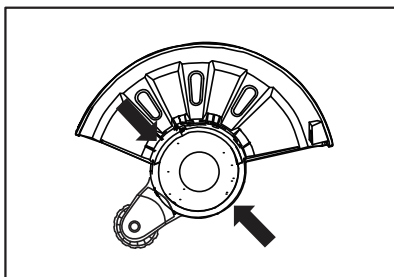
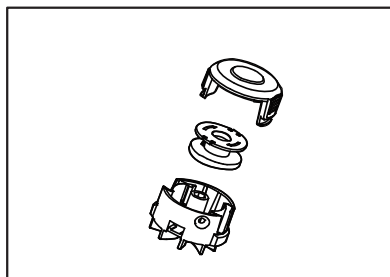


Fig. 13



- ✿ Thread the new/refilled spool line through the eyehole in the trimmer head.
- ✿ Fit the line spool in the trimmer head.
- ✿ Refit the line spool cover.

#### **⚠ WARNING!**

Never use steel, wire, rope, string, etc. which can break off and become a dangerous missile

## 5. SAFETY INSTRUCTIONS

**⚠ ATTENTION!** Before you start working with your cordless string grass trimmer, read the following safety and usage instructions. Get familiar with the controls and correct use of the equipment. Keep the User manual in a safe place where it can be easily found for future use.

### Safety Instruction for your new trimmer

- ✿ Wear protective glasses designed for working with a machine.
- ✿ Wear safety gloves designed for working with a machine.
- ✿ Do not expose the machine to rain or moisture.
- ✿ Get acquainted with operation and correct use of your string trimmer.
- ✿ Do not allow children to operate the trimmer. All persons working with the grass trimmer must well acquainted with the user's manual.
- ✿ Keep other persons (mainly children) and animals out of the trimmer's reach as the cut grass may contain stones or debris. Stop the trimmer if there are children, adults or animals in the vicinity.
- ✿ Keep other persons (particularly children) and animals out of range, at least 15 m from the working area.
- ✿ Work only in sufficient light.
- ✿ Before each use or after a strike, please check for any signs of damage and repair as needed. Do not use the string grass trimmer if damaged or the security is not guaranteed.
- ✿ On regular basis and before each use, please check the trimmer condition (mainly if all screws and nuts are tightened and the safety cover is attached). If the trimmer is not in good condition, it's cannot be used safely.
- ✿ The protective cover must be attached at all times during trimming.
- ✿ Do not use the trimmer if the cover is damaged.
- ✿ Prior to starting the string trimmer, make sure that the nylon cutting edge is not touching the ground, stones or other items.
- ✿ Keep your hands and feet sufficiently apart from the rotating string, mainly after starting the motor.
- ✿ Protect yourself from injuries that may be caused by the rotating string that may be turning for a while after the machine is turned off. After prolonging the string, always return your trimmer to its original working position.
- ✿ Do not use metallic mowing parts for grass trimming.
- ✿ Always use only original spare parts.
- ✿ Disconnect the battery before maintenance or cleaning or if you don't use your trimmer.
- ✿ Always make sure that the ventilation openings are clean.
- ✿ Prevent the trimmer from being started at random. Never carry the trimmer with your finger on the trigger.
- ✿ When operating the trimmer, make sure it's in a safe and stable position.
- ✿ Before starting the trimmer, check the work area and remove wires, stones, debris etc.
- ✿ Do not trim against solid objects. This could lead to injury or damage to the grass trimmer.

**⚠ ATTENTION!** Mowing parts rotate even after the trimmer is turned off.


- ✿ Do not attempt to stop the string (nylon) with your hand! Let the string run out on its own.

- ✿ Do not use the trimmer to cut grass that doesn't contact the ground such as grass growing on stones, walls etc.
- ✿ Keep off pavement, gravel paths etc. while string is still rotating.

## Safety instructions for the battery and charger

### Battery

- ✿ Never open the battery.
- ✿ Do not expose the battery to water.
- ✿ Do not throw the battery in fire as there is a risk of explosion!
- ✿ Do not store the battery in locations where the temperature could exceed 40°C.
- ✿ Do not leave the battery in charger if the charging is finished. Otherwise, electrolyte could leak out of the battery.
- ✿ Charge at room temperature only.
- ✿ Use only original charger supplied by the battery.
- ✿ Before charging check that the battery is dry and clean.
- ✿ Use only the battery types approved by the manufacturer.
- ✿ Do not put the battery in common household waste but return it in a battery recycling centre instead.
- ✿ Under extreme conditions there is a risk of the electrolyte leaking out of the battery. If the electrolyte leaks, proceed as follows:
  - Carefully wipe the electrolyte away with a dry cloth. Avoid contact with skin.
  - If contact with skin or eyes does occur, proceed according to the instructions below.
- ✿ The battery contains a 25-30% potassium hydroxide solution, which may be harmful. If contact with the skin occurs, immediately wash with large amounts of water. Neutralise with a mild acid, e.g. lemon juice, vinegar. When eyes are affected, thoroughly rinse with water (for at least 10 minutes) and seek medical attention.

 **NOTE:** The batteries are Li-Ion types. Do not throw the batteries in household waste, fire or water. The batteries must be disposed of in environmentally friendly manner.

### Charger

- ✿ Never replace any electric cord, risk of injury could occur!
- ✿ Only use the charger for charging the original batteries supplied with the product. When charging a different battery type there is danger of sudden combustion, serious injury to persons, damage to property.
- ✿ Only two batteries can be charged continuously one after another, otherwise charger overheating might occur. Allow the charger to cool down before a new charging.
- ✿ When the charging process is complete, unplug the charger from the power socket remove the battery.
- ✿ Do not leave the battery in the charger.
- ✿ When carrying the charger, do not hold the cord or the plug. To disconnect the charger from a power socket, do not pull the cord but hold plug instead. Protect the charger from heat and contact with sharp objects.
- ✿ Never charge non-rechargeable batteries.
- ✿ Do not use the charger cord if damaged in any way.
- ✿ Do not expose the charger to water or rain effects and do not use it in wet environment.
- ✿ Do not open the charger.
- ✿ Do not disassemble the charger.
- ✿ Do not use the charger outdoors as it's designed for indoor use only.

## 6. TECHNICAL DATA

<b>MODEL NO</b>	<b>FZS 70105-0</b>
No-load speed	7500 rpm
Battery voltage	1 × 20 V
Telescopic handle	yes
Cutting width	30 cm
Cutting line dia.	1.6 mm

### Accessories

Item number	Accessory
FDUZ 79020	Battery pack 2 Ah
FDUZ 79040	Battery pack 4 Ah
FDUZ 79100	Fast charger
FDUZ 79110	Fast dual charger



## 7. MAINTENANCE AND STORAGE

### Maintenance

- ✿ When finished, remove the battery from the string trimmer.
- ✿ Only use spare parts and accessories approved by the manufacturer.
- ✿ To keep the trimmer in a perfect condition, please store its parts - coils - in a closeable bag.
- ✿ Disconnect the battery before cleaning. For cleaning, use only a cloth moistened in water (you can also use soap solution). Never immerse the trimmer in water. Never rinse the trimmer under water jet (such as with a garden hose). No water may get inside the machine. Do not clean with a pressure washer.
- ✿ The cutting tool on the cover edges may get blunt over time. We recommend to check the cutting tool sharpness on regular basis.

### Storage

- ✿ Store the trimmer in a dry room.
- ✿ Do not place any other items on the machine.
- ✿ At the end of the season, perform a complete inspection of the trimmer and remove accumulated grass clippings.
- ✿ If a repair is necessary, contact an authorised customer service centre or your vendor.

## 8. TROUBLESHOOTING

Fault/malfunction	Cause	Remedy
Product not running	Battery discharged?	Charge rechargeable battery.
	Battery pack does not sit its place correctly?	Install the battery pack once again.
	Device defective?	Contact service partner.
The tool is vibrating	The tool is clean? There are more grasses accumulated in the line spool and safety guard?	Clean the tool, remove grass in between the line spool and the safety guard.
	Does the Line spool have been installed correctly?	Insert the Line Spool correctly.

## 9. DISPOSAL



The machine, rechargeable batteries, accessories and packaging should be sorted for environmentalfriendly recycling.

Do not dispose of power tools and batteries/rechargeable batteries into household waste!

### Only for EC countries:



According to the European Guideline 2012/19/EU, power tools that are no longer usable, and according to the European Guideline 2006/66/EC, defective or used battery packs/batteries, must be collected separately and disposed of in an environmentally correct manner.

#### **INSTRUCTIONS AND INFORMATION ON DISPOSAL OF USED PACKAGING.**

Put any used package material to the place determined by the municipality for waste disposal.

#### **DISPOSAL OF USED ELECTRIC AND ELECTRONIC EQUIPMENT**



This symbol on products or accompanying documents means that used electric or electronic products must not be put to ordinary municipal waste. Hand over such products to determined collection points for proper disposal, restoration and recycling. Alternatively, in some countries of the European Union or other European countries you can return your products to your local dealer when you buy an equivalent new product. By dutiful disposal of this product you can preserve precious natural resources and you help prevent any potential adverse effects on the environment and human health which could be the results of wrong waste disposal. Ask your local authority or the nearest collection point for additional details. In case of improper disposal of this waste kind penalties can be imposed in accordance with national regulations.

#### **For companies in the European Union countries**

Should you want to dispose of electric and electronic devices, ask your dealer or vendor for necessary information..

#### **Disposal in other countries outside the European Union**

Should you want to dispose of this product, ask your local authorities or your dealer for necessary information about disposal method.



This product fulfils all basic requirements of the EU directives that apply to it.

Text, design and technical specifications can change without prior notice and we reserve the right for their change.

User manual in the original language.

## 10. DECLARATION OF CONFORMITY

**FAST**<sup>®</sup>

FAST ČR, a.s.  
 Černokostelecká 1621, 251 01 Říčany, Czech Republic  
 tel.: +420 525 204 111, fax: +420 525 204 110

**EU Declaration of Conformity**

**Product/ brand:** Cordless Grass Trimmer / **FIELDMANN**

**Type/ model:** **FZS 70105-0** as factory model D04003000  
 DC 20V (battery powered), speed 7500/m<sup>-1</sup>, cutting width 300mm,  
 Class III, IPX0  
 $L_{PA} = 88\text{dB(A)}$ ,  $L_{WA} = 92\text{dB(A)}$

**Manufacturer:** FAST ČR, a.s.  
 Černokostelecká 2111, 100 00 Praha 10, Czech Republic  
 VAT no: CZ26726548

**The product is inline with directives and regulations listed below:**

Directive MD 2006/42/EC  
 Directive EMC 2014/30/EU  
 Directive NEOE 2000/14/EC  
 Directive RoHS 2011/65/EU

**and norms:**

EN 60335-1:2012+A11+A13  
 EN 50636-2-91:2014  
 EN 62233:2008  
 EN 55014-1:2017  
 EN 55014-2:2015



**Place of issuance:** Prague

**Name:** Ing. Zdeněk Pech  
 Chairman of the Board

**Date of issuance:** 22. 7. 2020

**Signature:**

**FAST**<sup>®</sup> FAST ČR, a.s.  
 Černokostelecká 1621, 251 01 Říčany  
 IČO: 26726548 tel.: +420/ 323 204 111  
 DIČ: CZ26726548 fax: +420/ 323 204 110

IČO: 26 72 65 48, DIČ: CZ-26 72 65 48

**Bankovní spojení:** Komerční banka Praha 1, č.ú. 89309011/0100, Česká spořitelna Praha 4,  
 č.ú. 2375682/0800, ČSOB Praha 1, č.ú. 8010-0116233383/0300

