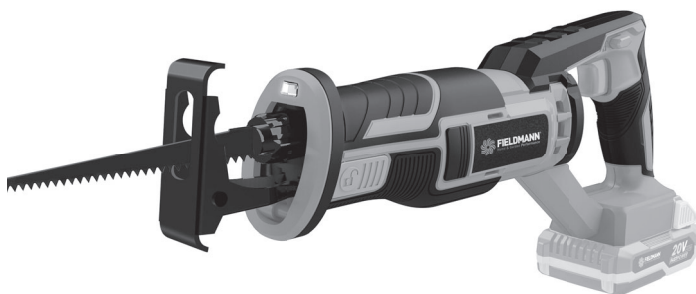




**FIELDMANN**<sup>®</sup>  
Home & Garden Performance

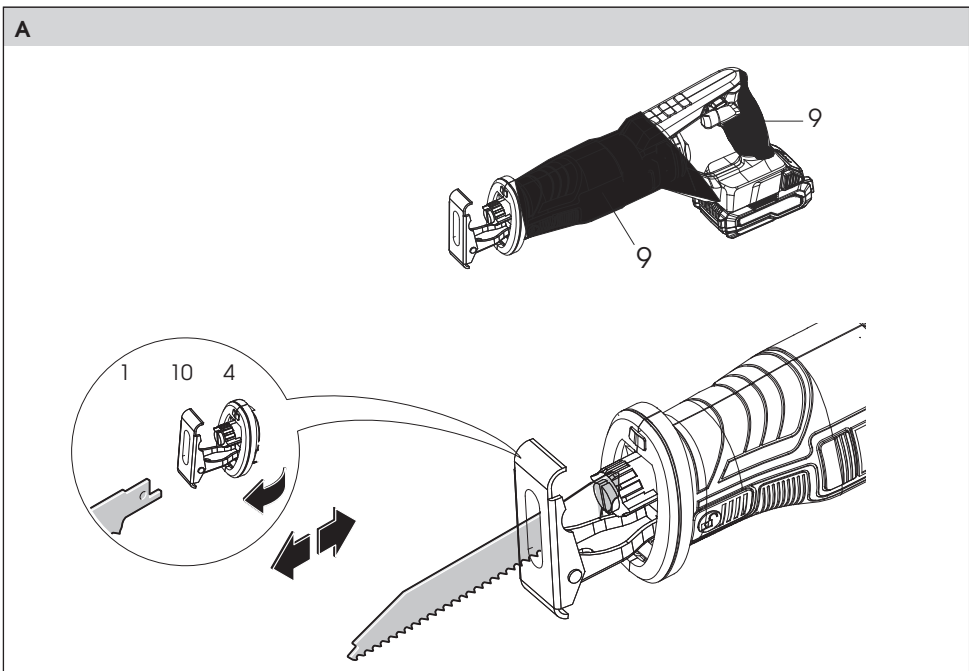
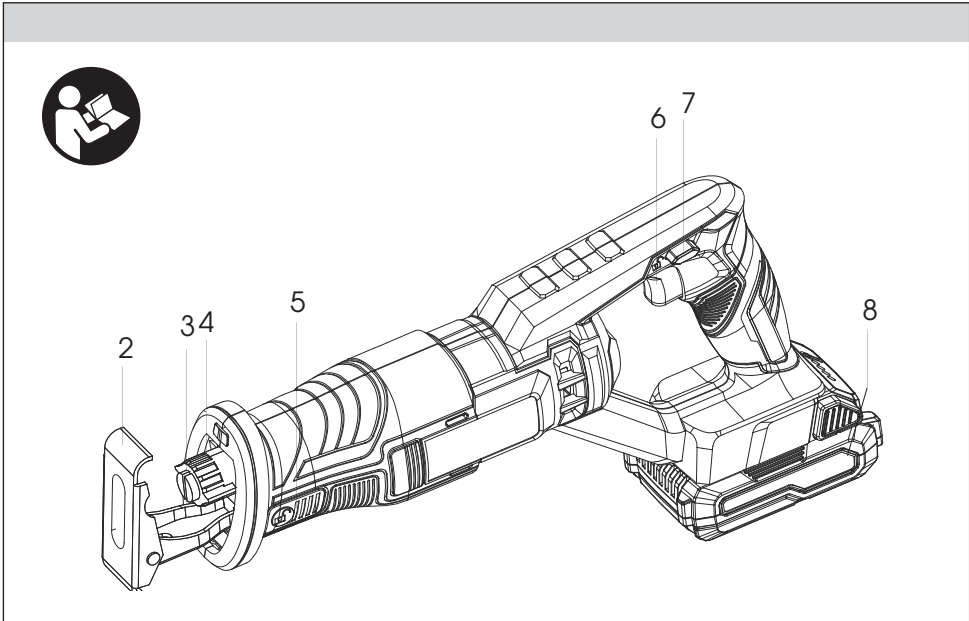
**20V** Li-Ion  
**FASTPOWER**

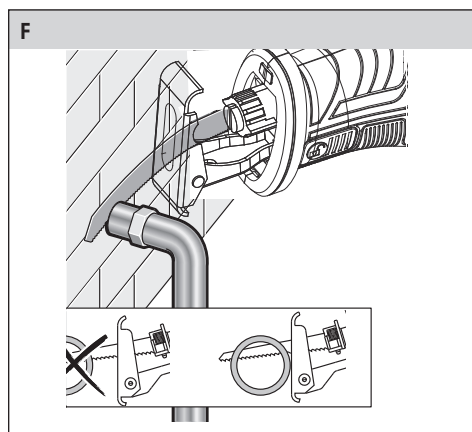
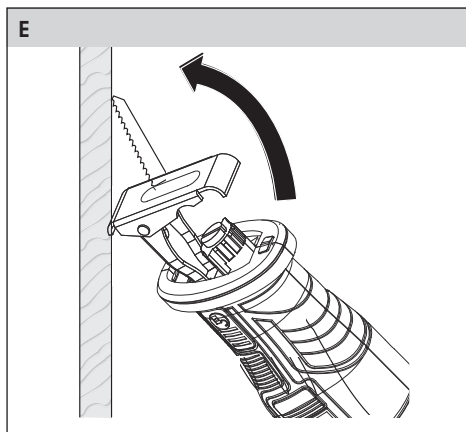
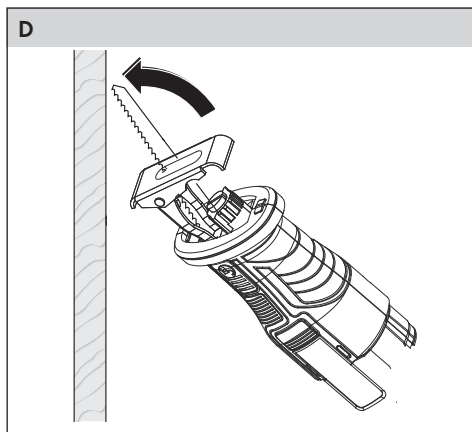
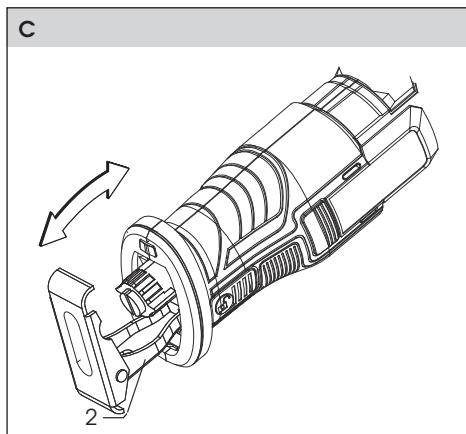
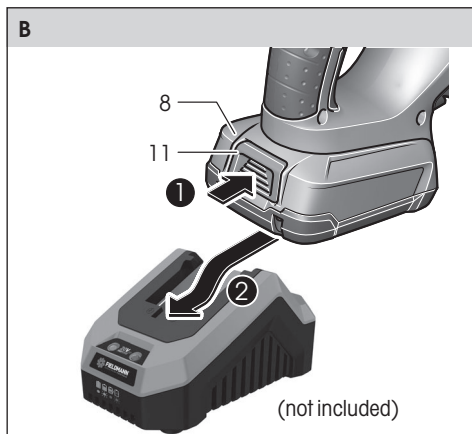


FDUO 70505-0

---

English .....	5-19
Čeština.....	20-33
Slovenčina .....	34-47
Magyarul .....	48-63
Polski .....	64-79





# Cordless Reciprocating Saw **20V** FASTPOWER

## USER'S MANUAL

**Thank you for purchasing this Cordless Reciprocating Saw FIELDMANN. Before you start using it, please carefully read this user's manual and save it for possible future use.**

## TABLE OF CONTENTS




1. SAFETY INSTRUCTIONS.....	6
2. SYMBOLS.....	7
3. GENERAL SAFETY INSTRUCTIONS .....	8
4. SPECIFIC SAFETY INSTRUCTIONS.....	10
5. HEARING PROTECTION .....	11
6. PRODUCT DESCRIPTION AND SPECIFICATIONS.....	11
7. TECHNICAL DATA .....	12
8. ASSEMBLY .....	13
9. STARTING OPERATION.....	14
10. MAINTENANCE AND SERVICE.....	16
11. DISPOSAL.....	17
12. DECLARATION OF CONFORMITY .....	18

# 1. SAFETY INSTRUCTIONS

## **WARNING!**

Carefully read the instruction manual before use.

### **Important safety warnings**


-  Unpack the product carefully and be sure not to throw away any part of the package before having found all components of the product.
-  Keep the product in a dry place out of reach of children.
-  Read all cautions and instructions. The failure to adhere to warning cautions and instructions may result in an accident, fire and/or a serious injury.

### **Packaging**

The product is placed in a package preventing damage during transport. This package is a raw material therefore it can be handed-over for recycling.

### **Instructions for use**

Before beginning to work with the machine, read the following safety rules and instructions for use. Familiarize with operating elements and the proper use of the device. Keep the manual in a safe place for future reference. We recommend keeping the original package including the inner packaging materials, cash voucher and guarantee card for a period of warranty at minimum. For a case of transportation, pack the machine into the original box from the manufacturer, thus ensuring a maximum protection of the product during a possible transport (e.g. moving or sending into a service station).

 **Note:** If you hand the machine over to next persons, hand it over together with the manual. Adherence to the attached instructions for use is a precondition for the proper use of the machine. The operation manual includes also instructions for operation, maintenance and repairs.

**The manufacturer does not take any responsibility for accidents or damages resulting from the failure to adhere to this manual.**

## 2. SYMBOLS



The product complies with the applicable standards and regulations.



Read the Instruction Manual attentively prior to use.



Use eyes protective equipment



Use ears protective equipment

## 3. GENERAL SAFETY INSTRUCTIONS

**Please read these safety instructions carefully, remember them and keep them in a safe place**

**⚠ WARNING!** When using electric machinery and power tools, it is important to abide by and adhere to the following safety instructions for reasons of protection against injury caused by electric current, injury of persons and risk of starting fires. The term "power tools" used in the instructions below refers to power tools that are plugged into a power supply (by a power cord) as well as tools running on a battery pack (cordless). Keep all warnings and instructions for further use.

### Work environment

- ✿ Keep the work area clean and well lit. Untidiness and dark places on the job site are usually causes of accidents. Store tools that are not used.
- ✿ Do not use power tools in an environment where there is risk of starting a fire or explosion; this refers to places where there are flammable liquids, gases or dust. Sparks form on the power tool's commutator, which can cause dust or fume ignition.
- ✿ When using power tools, unauthorized persons, especially children, should be denied entry to the job site! In case you are interrupted, you can lose control of the current activity. In any case, do not leave the power tool without supervision. Prevent animals from approaching the equipment.

### Electrical safety

- ✿ The power tool's power plug must correspond to the power outlet. Never alter the plug in any way. If the tool's plug has a safety peg, never use an adapter of any kind. Undamaged plugs and corresponding outlets prevent the risk of injury by electric current. If the power cord is damaged, it must be replaced by a new power cord that can be obtained from an authorized service centre or the importer.
- ✿ Avoid bodily contact with grounded items, e.g. piping, radiators, kitchen ranges and refrigerators. The risk of injury by electric current is greater if your body is connected to the ground.
- ✿ Do not expose power tools to rain, moisture or dampness. Never touch power tools with wet hands. Never wash power tools with running water and never submerge them into water.
- ✿ Do not use the power cord for any other purpose than originally intended. Never carry or pull the power tools by the power cord. Do not pull the plug out of the outlet by pulling on the cord. Avoid mechanical damage to the power cord by sharp or hot objects.
- ✿ Power tools were manufactured exclusively for the AC power supply. Always check if the electrical voltage corresponds to the data printed on the tool's serial number label.
- ✿ Never work with a tool that has a damaged power cord or plug, or that has fallen on the ground and is damaged in any way.
- ✿ In the case of using an extension cord, always check that its technical parameters correspond to the data printed on the tool's serial number label.
- ✿ If the power tool is used outdoors, use an extension cord that is appropriate for exterior use. When using an extension cable drum, the cord must be unwound to prevent the cord from overheating. If the power tool is used in moist areas or outdoors, it is permitted to use it only if it is plugged into an electric circuit with a residual current device  $\leq 30$  mA. Using a circuit with an RCD lowers the risk of injury by electric current.
- ✿ Grasp hand power tools at the designated isolated grip areas because, during operation, one may come into contact with the cutting or drilling fittings with a hidden conductor or with the power cord.



## Personal safety

- ✿ When using a power tool, be careful and alert, pay special attention to the activity you are doing. Concentrate on your work. Do not work with power tools if you are tired or if you are under the influence of drugs, alcohol or medication. When using power tools, even a momentary lapse in attentiveness can lead to severe personal injury. Do not eat, drink or smoke while working with power tools.
- ✿ Use protective gear. Always use eye protection. Use protective gear corresponding to the type of work you are doing. Protective gear such as respirators, safety shoes with antiskid treatment, head protection or ear protection, used in accordance with working conditions, lower the risk of personal injury.
- ✿ Avoid unintentional operation of tools. Do not carry tools that are plugged into the electric grid with your finger on the switch or release trigger.
- ✿ Before connecting the tool to a power supply, make sure that the switch or release trigger are in the "off" position. Carrying tools with your finger on the switch or plugging the tool into an outlet with the switch in the "on" position can cause serious injury. Before turning tools on, remove all adjustment wrenches and tools. The adjustment wrench or tool that stays connected to the rotating part of the power tool can cause personal injury.
- ✿ Always stand firmly and keep your balance. Work only in places that you can reach safely. Never overestimate your own strength. Do not use power tools if you are tired.
- ✿ Dress appropriately. Use working clothes. Do not wear loose clothing or jewellery. Make sure that your hair, clothing, gloves or other body parts do not come overly close to rotating or heated parts of the power tool.
- ✿ Connect the equipment to the dust exhaust. If the tool offers the possibility to connect equipment for capturing dust or dust suction, make sure that it is properly connected and used. Using this equipment can reduce danger resulting from dust.
- ✿ Firmly fasten the workpiece. Use a carpenter's clamp or vice to secure the piece you will be cutting.
- ✿ Do not use power tools if you are under the influence of alcohol, drugs, medication or other narcotics or addictive substances.
- ✿ This equipment is not intended to be used by persons with limited physical, sensory or mental abilities (including children) or persons with insufficient experience and knowledge, unless they are supervised or received instructions to use the equipment from a person responsible for his/her safety. Children must be supervised in order to ensure that they are not playing with the equipment.

## Using cordless tools

- ✿ Before inserting the battery, make sure that the switch is in the "O-off" position. Inserting the battery into a running tool can cause dangerous situations.
- ✿ To charge the battery, only use chargers that are specified by the manufacturer. Using a charger for a different kind of battery can cause damage to the battery and result in fire.
- ✿ Only use batteries that are designated for the given tool. Using other batteries can cause injury or result in fire.
- ✿ If the battery is not used, store it away from metal objects such as clamps, wrenches, screws and other small metal objects that could cause the connection of one battery contact with the other. Short-circuiting the battery can cause injury, burns or fire.
- ✿ Handle batteries with care. In the case of improper care, chemical substances can leak from the battery. Avoid coming into contact with this substance and if you do come into contact with it, rinse the affected area under running water. If the chemical substance comes into contact with the eye, immediately seek out medical attention. The chemical substance from the battery can cause serious injury.

## Service

- ✿ Do not change parts of the tool, do not perform repairs on your own and do not interfere with the tool's construction in any way. Leave tool repairs to qualified persons.
- ✿ Each repair or product modification performed without our company's permission is inadmissible (it can cause injury or harm to the user).
- ✿ Always leave tools to be repaired in a certified service centre. Use only original or recommended spare parts. This will ensure your and your tool's safety.

# 4. SPECIFIC SAFETY INSTRUCTIONS

**⚠ WARNING!** Before use, please read these safety instructions and store them with care.

- ✿ Please ensure that the voltage of the mains power supply corresponds to the value stated on the type plate. The tool is equipped with a two-pole lead and plug!
- ✿ Wear safety glasses and a face or dust mask if the cutting or drilling operation is dusty. When using the tool for extended periods, or where the noise level is high, use adequate hearing protection.
- ✿ If devices are provided for the connection of dust extraction and collection facilities, ensure these are connected and properly used. Always empty the dust collection bag when full.
- ✿ Use clamps or a vice to hold the work piece. It is safer than using your hand and frees both hands to operate the tool.
- ✿ Ensure the power cord is arranged so that it cannot be tripped over, stepped on or have heavy weights rested on it; and make sure that the cord will not be subjected to any damage.
- ✿ A risk of injury exists in the case that instructions in this manual are not followed. The reciprocating saw complies with valid technical regulations and norms.
- ✿ When working with the reciprocating saw, the protective cover must always be pushed down.
- ✿ Regularly check both screws on the clamp of the saw blade.
- ✿ Do not use damaged or worn saw blades.
- ✿ Regularly check the setting of the guide pulley.
- ✿ Do not turn the saw on if the saw blade slid into the workpiece.
- ✿ Never overload the saw so much that the engine ceases.
- ✿ Never try to stop the movement of the saw blade, even when the engine is turned off.
- ✿ The saw blade itself is removed very quickly. The blade's teeth are very sharp.
- ✿ Never aim the saw at another person.
- ✿ Use protective gear against noise, dust and vibrations!!!

**⚠ WARNING!** Keep these safety instructions!!!

## 5. HEARING PROTECTION

**⚠ WARNING!** In case the sound pressure level exceeds the value of 90.2 dB(A), wear adequate hearing protection to avoid damage to your hearing!

## 6. PRODUCT DESCRIPTION AND SPECIFICATIONS

### Product Features

1. Saw blade (1 pc of metal blade for wood part of the package)
2. Base plate
3. Saw blade holder
4. SDS clamping lever for saw blade release
5. Rotary switch for orbital action
6. On/Off switch
7. Lock-off button for On/Off switch
8. Battery pack (not included in the package)
9. Handle (insulated gripping surface)
10. Clamping plate
11. Battery unlocking button

## 7. TECHNICAL DATA

Model	FDUO 70505-0
Rated Voltage	20V
Unloaded Speed	0-3000RPM
Stroke length	26mm
Maximum ability to work	Wood 100 mm Soft metal 20 mm Steel 10 mm

### Accessories

Item number	Accessory
FDUZ 79020	Battery pack 2 Ah
FDUZ 79040	Battery pack 4 Ah
FDUZ 79100	Fast charger
FDUZ 79110	Fast dual charger
FDPO 9001	Set of 9 pcs saw blades

### In addition to the safe use of tools, note should also be made:

1. Please check the saw blade carefully before use. There should be no cracks and broken teeth. The date of the saw blade delivery should be within one year
2. Before resaw operation, check that the blade direction is consistent with the direction indicated in the instructions.
3. In the process, do not force too hard, do not make the blade hit, so as to avoid the blade rupture caused casualties. When using reciprocating saw for cutting, do not swing the saw blade horizontally.
4. In the process of use, in case of any of the following circumstances must immediately cut off the power supply, to find out the cause, after the maintenance of normal use.
  - (1) the transmission parts are stuck, the speed fell sharply suddenly stopped rotating.
  - (2) found there is abnormal push or sound, temperature rise too high or smell. Found the saw blade split.
  - (4) found that the commutator spark is too large and ring fire phenomenon. Two, electric reciprocating saw blade selection According to the actual needs to determine which specifications of the saw blade. Cutting metal, high density, hard workpiece, need to choose metal saw blade. Wood cutting, low density, soft quality of the workpiece, need to choose woodworking saw blade.

## 8. ASSEMBLY

Battery and charger not included in the package.

- ✿ Before any work on the machine itself (e. g. maintenance, tool change, etc.) as well as during transport and storage, remove the battery from the power tool. There is danger of injury when unintentionally actuating the On/Off switch.

### Battery Charging

- ✿ Use only the chargers listed in the technical data. Only these chargers are matched to the lithium-ion battery of your power tool.
- 📖 **Note:** The battery supplied is partially charged. To ensure full capacity of the battery, completely charge the battery in the battery charger before using your power tool for the first time.  
The lithium-ion battery can be charged at any time without reducing its service life. Interrupting the charging procedure does not damage the battery.

### Removing the battery (see figure B)

- ✿ To remove the battery 8, press the battery unlocking button 11 and pull the battery out of the power tool toward the rear.
- ✿ Do not exert any force.

### Replacing/Inserting the Saw Blade

- ✿ When mounting the saw blade, wear protective gloves. Danger of injury when touching the saw blade.
- ✿ When changing the saw blade, take care that the saw blade holder is free of material residue, e. g. wood or metal shavings.

### Selecting a Saw Blade

- ✿ An overview of recommended saw blades can be found at the end of these instructions. Use only 1/2" universal shank saw blades. The saw blade should not be longer than required for the intended cut. The shank thickness of the saw blade must be 0.8–1.6 mm. Use a thin saw blade for narrow curve cuts.

### Inserting the Saw Blade (see figure A)

- ✿ Press the SDS clamping lever 4 forward and guide the saw blade behind the clamping plate 10 into the saw blade holder. Release the SDS clamping lever 4. Check the tight seating by pulling on the saw blade. A loose saw blade can fall out and cause injury. For certain work, the saw blade 1 can also be turned through 180° (with the teeth pointed upwards) and re-inserted again.

### Removing the Saw Blade

- ✿ Before removing, allow the saw blade to cool down. Danger of injury when touching the hot saw blade.
- ✿ Press the SDS clamping lever 4 forward and pull out the saw blade. Release the SDS clamping lever 4.

### Dust/Chip Extraction

- ✿ Dusts from materials such as lead-containing coatings, some wood types, minerals and metal can be harmful to one's health. Touching or breathing-in the dusts can cause allergic reactions and/or lead to respiratory infections of the user or bystanders.
- ✿ Certain dusts, such as oak or beech dust, are considered as carcinogenic, especially in connection with wood-treatment additives (chromate, wood preservative). Materials containing asbestos may only be worked by specialists.

- Provide for good ventilation of the working place.
- It is recommended to wear a P2 filter-class respirator.
- \* Observe the relevant regulations in your country for the materials to be worked.
- \* Prevent dust accumulation at the workplace. Dusts can easily ignite.



#### **Orbital action switched off:**

- For working thin or hard material such as sheet metal or steel.
- For achieving clean cutting edges.




#### **Orbital action switched on:**

- For working non-ferrous metals, hardwood, plastics or materials of medium density.
- For working soft materials, e.g., soft building materials, insulation material, softwood, tree wood.

## 9. STARTING OPERATION

### **Inserting the battery**

- \* Use only original FIELDMANN lithium-ion batteries with the voltage listed on the nameplate of your power tool. Using other batteries can lead to injuries and pose a fire hazard.


 **Note:** Use of batteries not suitable for the machine can lead to malfunctions of or cause damage to the power tool.

- \* Insert the charged battery 8 into the base of the power tool until it can be felt to engage and is securely locked.

### **Switching On and Off**

- \* Switch on the power tool, first press the lock -off button 7 right or left. Then press the On/Off switch 6 and keep it pressed.

- \* To switch off the power tool, release the On/O.ff switch 6

 **Note:** For safety reasons, the On/Off switch 6 cannot be locked; it must remain pressed during the entire operation.

- \* To save energy, only switch the power tool on when using it.
- \* The lithium-ion battery is protected against deep discharging by the "Electronic Cell Protection (ECP)". When the battery is empty, the machine is switched off by means of a protective circuit: The inserted tool no longer rotates.
- \* Do not continue to press the On/Off switch after the machine has been automatically switched off. The battery can be damaged.

### **Controlling the Stroke Rate**

- \* Increasing or reducing the pressure on the On/Off 6 switch enables stepless stroke-rate control of the switched-on machine.
- \* Light pressure on the On/Off switch 6 results in a low stroke rate. Increasing the pressure also increases the stroke rate.
- \* The required stroke rate is dependent on the material and the working conditions and can be determined by a practical trial. Reducing the stroke rate is recommended when the saw blade engages in the material as well as when sawing plastic and aluminium.

- ☼ After longer periods of work at low stroke rate, the machine can heat up considerably. Allow the machine to cool down by running it for approx. 3 minutes at maximum stroke rate.

### Temperature Dependent Overload Protection

- ☼ When using as intended for, the power tool cannot be subject to overload. When the load is too high or the allowable battery temperature of 50 °C is exceeded, the electronic control switches off the power tool until the temperature is in the optimum temperature range again.

### Working Advice

- ☼ Before any work on the machine itself (e. g. maintenance, tool change, etc.) as well as during transport and storage, remove the battery from the power tool. There is danger of injury when unintentionally actuating the On/Off switch.
- 📖 **Tips:** When sawing light building materials, observe the statutory provisions and the recommendations of the material suppliers.
- ☼ Check wood, press boards, building materials, etc. for foreign objects such as nails, screws or similar, and always use the correct sawblade.
- ☼ Switch the machine on and guide it toward the workpiece. Position the base plate 2 onto the surface of the work and saw through the material applying uniform contact pressure and feed. After completing the working procedure, switch the machine off.
- ☼ If the saw blade should jam, switch the machine off immediately. Widen the gap somewhat with a suitable tool and pull out the machine.

### Pivoting Footplate (see figure C)

Due to its movability, the adjustable base plate to the required angular position on the surface.

### Plunge Cutting (see figures D–E)

- ☼ The plunge cutting procedure is only suitable for treating soft materials such as wood, plaster board or similar!
- ☼ Do not work metal materials with the plunge cutting procedure!
- ☼ Use only short saw blades for plunge cutting.

### Flush Cuts (see figure F)

Using elastic bimetal saw blades, items still attached to a wall (e. g. projecting building elements such as water pipes, etc.) can be sawn off flush at the wall.

- ☼ Pay attention that the saw blade always extends beyond the diameter of the material being worked. There is danger of kickback. Position the saw blade directly against the wall and apply some lateral pressure via the tool until the footplate faces against the wall. Switch the power tool on and saw through the workpiece, applying constant lateral pressure.

### Coolant/Lubricant

- ☼ When sawing metal, coolant/lubricant should be applied alongside cutting line because of the material heating up.
- ☼ Recommendations for Optima I Handling of the Battery Protect the battery against moisture and water.
- ☼ Store the battery only within a temperature range between 0 and 40 °C. As an example, do not leave the battery in the car in summer.

## 10. MAINTENANCE AND SERVICE

The common faults and maintenance methods of electrician reciprocating saws are listed in the following table for readers' reference during maintenance.

The fault phenomenon	The reasons causing	Maintenance and repair methods (recommended only in authorized service)
The motor won't run after the connection	<ol style="list-style-type: none"> <li>1. The power is off</li> <li>2. Poor contact or no action of switch</li> </ol>	<ol style="list-style-type: none"> <li>1. Repair the power supply</li> <li>2. Repair or replace the switch</li> </ol>
The electrical connection makes an abnormal sound and does not rotate or rotate very slowly	<ol style="list-style-type: none"> <li>1. Switch contact burns out</li> <li>2. Mechanical part is stuck</li> <li>3. Excessive load of axial pressure</li> <li>4. The supply voltage is too low</li> <li>5. Broken spiral cone teeth</li> </ol>	<ol style="list-style-type: none"> <li>1. Replace the switch</li> <li>2. Check the mechanical part</li> <li>3. Reduce axial pressure</li> <li>4. Adjust the power voltage</li> <li>5. Change gears</li> </ol>
Excessive heating of gearbox housing	<ol style="list-style-type: none"> <li>1. Lack of grease in gear box or grease gets dirty</li> <li>2. Gear meshing is too tight or debris falls into the interior</li> </ol>	<ol style="list-style-type: none"> <li>1. Add or replace grease</li> <li>2. Adjust or change gears to remove debris</li> </ol>

### Maintenance and Cleaning

- ✿ Before any work on the machine itself (e. g. maintenance, tool change, etc.) as well as during transport and storage, remove the battery from the power tool. There is danger of injury when unintentionally actuating the On/Off switch.
- ✿ For safe and proper working, always keep the machine and ventilation slots clean. Clean the saw blade holder preferably with compressed air or a soft brush. Remove the saw blade from the power tool for this. Ensure proper operation of the saw blade holder by applying a suitable lubricant.
- ✿ Heavy contamination of the machine can lead to malfunctions. Therefore, do not saw materials that produce a lot of dust from below or overhead.

### Transport

- ✿ The contained lithium-ion batteries are subject to the Dangerous Goods Legislation requirements. The user can transport the batteries by road without further requirements.
- ✿ When being transported by third parties (e.g.: air transport or forwarding agency), special requirements on packaging and labelling must be observed. For preparation of the item being shipped, consulting an expert for hazardous material is required.
- ✿ Dispatch batteries only when the housing is undamaged. Tape or mask off open contacts and pack up the battery in such a manner that it cannot move around in the packaging. Please also observe possibly more detailed national regulations



## 11. DISPOSAL



The machine, rechargeable batteries, accessories and packaging should be sorted for environmental friendly recycling.

Do not dispose of power tools and batteries/rechargeable batteries into household waste!

### Only for EC countries:



According to the European Guideline 2012/19/EU, power tools that are no longer usable, and according to the European Guideline 2006/66/EC, defective or used battery packs/batteries, must be collected separately and disposed of in an environmentally correct manner.

### INSTRUCTIONS AND INFORMATION ON DISPOSING OF USED PACKAGING MATERIALS

Put any used package material to the place determined by the municipality for waste disposal.

### DISPOSAL OF USED ELECTRIC AND ELECTRONIC EQUIPMENT



This symbol on products or accompanying documents means that used electric or electronic products must not be put to ordinary municipal waste. Hand over such products to determined collection points for proper disposal, restoration and recycling. Alternatively, in some countries of the European Union or other European countries you can return your products to your local dealer when you buy an equivalent new product. By dutiful disposal of this product you can preserve precious natural resources and you help prevent any potential adverse effects on the environment and human health which could be the results of wrong waste disposal. Ask your local authority or the nearest collection point for additional details. In case of improper disposal of this waste kind penalties can be imposed in accordance with national regulations.

### For companies in the European Union countries

Should you want to dispose of electric and electronic devices, ask your dealer or vendor for necessary information. Disposal in other countries outside the European Union. Should you want to dispose of this product, ask your local authorities or your dealer for necessary information about disposal method.



This product fulfils all basic requirements of the EU directives that apply to it.

Text, design and technical specifications can change without prior notice and we reserve the right for their change.

User manual in the original language.

# 12. DECLARATION OF CONFORMITY

# FAST®

**FAST ČR, a.s.**  
Černokostelecká 1621, 251 01 Říčany, Czech Republic  
tel.: +420 323 204 111, fax: +420 323 204 110

## EU DECLARATION OF CONFORMITY

**Product / brand:** Cordless Reciprocating Saw / **FIELDMANN**

**Type / model:** **FDUO 70505-0** as factory model M0W-WYT01-18Li  
DC 20V (battery powered), speed 0-2800/m<sup>3</sup>, Class III, IPX0  
L<sub>PA</sub> = 87,29dB(A), L<sub>WA</sub> = 98,29dB(A)

**Manufacturer:** FAST ČR, a.s.  
Černokostelecká 2111, 100 00 Praha 10, Czech Republic  
VAT no: CZ26726548

**The product is inline with directives and regulations listed below:**

Directive MD 2006/42/EC  
Directive EMC 2014/30/EU  
Directive NEOE 2000/14/EC  
Directive RoHS 2011/65/EU+ (EU) 2015/863

**and norms:**

EN 62841-1:2015  
EN 62841-2-11:2016  
EN 55014-1:2017  
EN 55014-2:2015



**Place of issuance:** Prague

**Name:** Ing. Zdeněk Pech  
Chairman of the Board

**Date of issuance:** 22. 7. 2020

**Signature:**

**FAST®** FAST ČR, a.s.  
Černokostelecká 1621, 251 01 Říčany  
IČO: 26726548 tel.: +420/ 323 204 111  
DIČ: CZ26726548 fax: +420/ 323 204 110

IČO: 26 72 65 48 DIČ: CZ-26 72 65 48

**Bankovní spojení:** Komerční banka Praha 1, č.ú. 89309011/0100, Česká spořitelna Praha 4, č.ú. 2375682/0800,  
CSOB Praha 1, č.ú. 8010-0116233353/0300