



FVC 5015 EK

---

English .....	1-8
Čeština.....	9-16
Slovenčina .....	17-24
Magyarul .....	25-32
Polski .....	33-46

# Submersible Garden Pump

## USER'S MANUAL

**Thank you for purchasing this pump. Before using it, please carefully read this User manual and keep it in a safe place for further use.**

### TABLE OF CONTENTS

1. GENERAL SAFETY REGULATIONS .....	2
Important safety notice .....	2
Packaging .....	2
User manual.....	2
Electrical safety .....	2
2. DESCRIPTION OF THE MACHINE AND CONTENTS.....	3
Description of the machine (see Fig. 1.).....	3
3. OPERATING INSTRUCTIONS .....	4
Purpose of use.....	4
4. PUTTING INTO OPERATION.....	4
Selecting automatic/manual pump switching function (fig. 2).....	5
5. MAINTENANCE AND STORAGE .....	5
Maintenance .....	5
Storage .....	5
6. WHAT TO DO "WHEN..." .....	6
7. TECHNICAL SPECIFICATIONS.....	7
8. DISPOSAL.....	7
INSTRUCTIONS AND INFORMATION ON DISPOSING OF USED PACKAGING MATERIALS.....	7
9. DECLARATION OF CONFORMITY .....	8

# 1. GENERAL SAFETY REGULATIONS

## Important safety notice

- ✿ Carefully unpack the product and take care not to throw away any part of the packaging until all the product parts have been identified.
- ✿ Read all warnings and instructions. Not following warnings or instructions may lead to injury from an electric shock, fire and/or serious injuries.

**⚠ ATTENTION!** Protect yourself against electric shock!

## Packaging

The device is contained in a package intended to prevent any damage during transport. This package is a resource and so it can be handed over for recycling.

## User manual

Before first using the pump, please read the following safety instructions and the User manual. Learn about all the parts and the correct use of the device. Keep the user's manual in a safe place for easy future reference. If giving the device to somebody else, do so together with the User manual. Following the instructions in the included User manual is a prerequisite for safe use of the garden appliance. The user's manual also contains operating, maintenance, and repair instructions.

**📖 NOTE:** If you hand over the appliance to somebody else, do so together with this user's manual. Make sure you use the appliance properly by following the instructions in the included User manual. The user's manual also contains operating, maintenance, and repair instructions.

## Electrical safety

The pump can be connected to any power plug installed according to the given norms. The plug must be powered at 230 V ~ 50 Hz.

**⚠ ATTENTION!** Important for the protection of your personal safety. Before first starting your new submersible pump, have a professional check the following items:

- Grounding
- Neutral conductor

The current circuit breaker must conform to energy safety norms and must fully function correctly.

The electrical connection must be protected against moisture.

If there is a risk of the electrical connection being flooded, it must be moved higher.

- In all situations, prevent the circulation of aggressive liquids and coarse materials.

The submersible pump must be protected against frost.

The pump must be protected against running when empty.

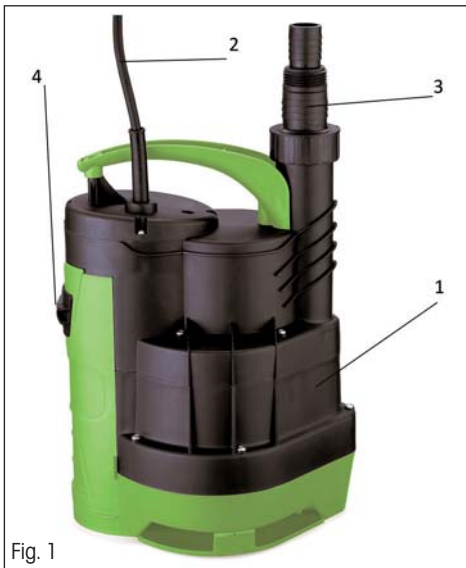
Prevent children from accessing parts of the pump by taking the appropriate measures.

**The manufacturer will not accept any responsibility for accidents or damage resulting from not following the instructions in this manual.**

## 2. DESCRIPTION OF THE MACHINE AND CONTENTS

### Description of the machine (see Fig. 1.)


1. Pump body
2. Power cord
3. Hose connection - 1" or 1 1/2"
4. Automatic start switch




## 3. OPERATING INSTRUCTIONS


### Purpose of use

- ✿ This pump may be used at any time to transfer water from one location to another.
- ✿ The appliance is intended for private household use and is not suitable for professional applications.
- ✿ It is not suitable for work with waste water in sewage systems, salt water, aggressive or easily combustible substances, for work in food processing or as a pump for water jets on garden ponds.
- ✿ It is not designed for pumping drinking water!

 **NOTE:** Before using the submersible pump, please first carefully read all the safety instructions and instructions for use for the pump. Only after reading these instructions will you be able to safely and reliably use all the functions of the pump. You must conform to all local regulations in force in your country. These regulations are effective together with the particulars specified in these instructions.

 **ATTENTION!** If you will be using the pump near pools or garden ponds, or in their protective zone, the electrical grid must be equipped with a circuit breaker.  
The pump must not be used if there are people in the pool or garden pond! Also do not use it if there are fishes or other living creatures in the pool or garden pond.  
The submersible pump is designed to pump water at a maximum temperature of 35°C.  
The pump must not be used for other liquids, particularly motor oils, cleaning agents and other chemical products!

## 4. PUTTING INTO OPERATION

 **ATTENTION!** You should never install the pump by hanging it on the outlet hose or power cord without additional support.  
The submersible pump must be hung by the handle or placed on the tank bottom.  
For the pump to function correctly, the pumped liquid must not contain foreign objects that are larger than specified in the overview of technical parameters.

After carefully reading these instructions you can prepare your pump for operation, however, keep the following points in mind:

- ✿ Check if the pump is standing on the tank bottom or hung by the handle.
- ✿ Check if the discharge hose has been attached correctly.
- ✿ Ensure that the moisture from the water can never get to the electrical power source.
- ✿ Prevent the pump from running empty.

### Selecting automatic/manual pump switching function (fig. 2)

The pump switching can be set to automatic or manual mode.

Settings are made with the switch, see fig.2.

If automatic operation is selected, the pump start/stop switching is controlled by an integrated float.

If manual operation is selected, the pump start/stop performed by connecting to/disconnecting from power supply.

**⚠ ATTENTION!** The pump must not be dry operated.

**⚠ ATTENTION!** Risk of dry running – The pump is cooled using the pumped liquid. In the event of dry running, the pump motor may burn up.

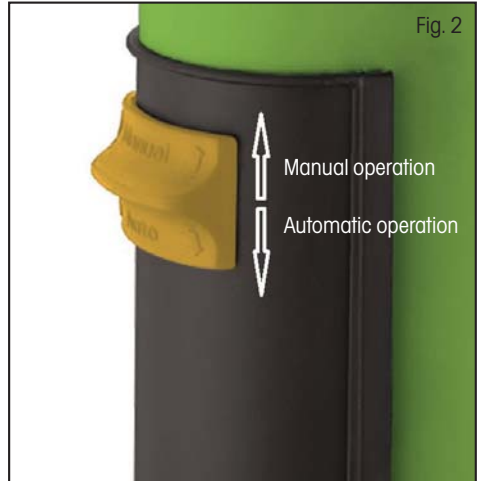


Fig. 2

## 5. MAINTENANCE AND STORAGE

This submersible pump is approved as a maintenance-free product undergoing several final inspections. We recommend you perform regular inspections and maintenance, which will ensure a long lifetime and continuous performance.

**⚠ ATTENTION!** Disconnect the power source before performing any maintenance.

### Maintenance

- ☼ If the pump is regularly moved during operation, it should be rinsed out after each use with clean water.
- ☼ If the pump is permanently installed, the working order of the float switch should be checked every 3 months.
- ☼ Any fibrous deposits that could deposit themselves inside the pump, should be removed using a water current.
- ☼ If an excessive amount of debris accumulates in the body of the pump, flush the pump out with clean water.

### Storage

- ☼ Store the thoroughly cleaned out pump in a dry place out of children's reach.

## 6. WHAT TO DO "WHEN..."

When...	Causes	Repairs
The pump does not start	No power supply.	Check the power supply.
	The float won't switch.	Check if the float got stuck.
No flow		
	The pressure hose is bent.	Straighten the hose.
The pump does not turn off	The float cannot drop.	Check if the float got stuck.
Insufficient flow		
	Reduced pump capacity due to dirty and contaminated water.	Clean the pump and flush the hose with clean water.
The pump turns off after a short time	The temperature fuse stops the pump due to dirty water.	Disconnect the power plug. Clean the pump and the pumping pit.
	The water is too hot. The temperature fuse stops the pump.	Check that the maximum water temperature of 35°C is not exceeded.

### NOTE:

#### Not covered by the warranty:

- ✿ Damage to the rotating mechanical gasket caused by running the pump empty, or by foreign objects in the water
- ✿ Blocking the running of the wheel with foreign objects
- ✿ Damage during transport
- ✿ Damage caused by unprofessional alterations



## 7. TECHNICAL SPECIFICATIONS

	<b>FVC 5015 EK</b>
Voltage/Frequency	230 V ~ 50 HZ
Power input	750W
Maximum transferred amount	14,000 l/h
Maximum delivery	8m
Maximum submersible depth	7m
Maximum temperature of the media	35°C
Maximum value of solid particles in the media	16mm
Maximum pressure	0.8bar
Weight	4.1kg

## 8. DISPOSAL

### **INSTRUCTIONS AND INFORMATION ON DISPOSING OF USED PACKAGING MATERIALS**

Dispose of used packaging material at a site designated for waste in your municipality.



The appliance and its accessories are manufactured from various materials, e.g. metal and plastic.

Take damaged parts to a recycling centre. Inquire at the relevant government department.



This appliance meets all the basic requirements of the EU directives.

Changes in the text, design and technical specifications may be made without prior notice and we reserve the right to make these changes.

User manual in the original language.

# 9. DECLARATION OF CONFORMITY

# FAST®

FAST ČR, a.s.  
Černokostecká 2111, 100 00 Praha 10, Czech Republic  
tel.: +420 323 204 111, fax: +420 323 204 110

## EU DECLARATION OF CONFORMITY

**Product/ brand:** Electric Submersible Pump/ **FIELDMANN**

**Type/ model:** **FVC 5015-EK** as factory model BDP 750Y  
AC 230V, 50Hz, 750W, IPX8, Class I

**Manufacturer:** FAST ČR, a.s.  
Černokostecká 2111, 100 00 Praha 10, Czech Republic  
VAT no: CZ26726548

**The product is inline with directives and regulations listed below:**

Directive LVD 2014/35/EU  
Directive EMC 2014/30/EU  
Directive RoHS 2011/65/EU

**and norms:**

EN 60335-1:2012+A11+A13  
EN 60335-2-41:2003+A1+A2  
EN 62233:2008  
EN 55014-1:2017  
EN 55014-2:2015  
EN IEC 61000-3-2:2019  
EN 61000-3-3:2013+A1



**Place of issuance:** Prague

**Name:** Ing. Zdeněk Pech  
Chairman of the Board

**Date of issuance:** 30. 4. 2021

**Signature:**

FAST® FAST ČR, a.s.  
Černokostecká 2111, 100 00 Praha 10  
IČO: 26726548 tel: +420 323 204 111  
DIČ: CZ26726548 fax: +420 323 204 110

IČO: 26726548, DIČ: CZ26726548

Bankovní spojení: Komerční banka Praha 1, č.ú. 89309011/0100, ČSOB Praha 1, č.ú. 8010-0116233383/0300  
Česká spořitelna Praha 4, č.ú. 2375682/0800



 **FIELDMANN**<sup>®</sup>  
Home & Garden Performance