



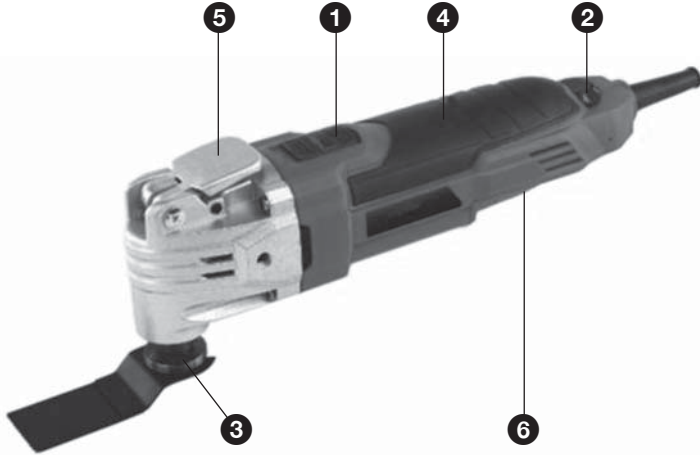
FIELDMANN[®]
Home & Garden Performance



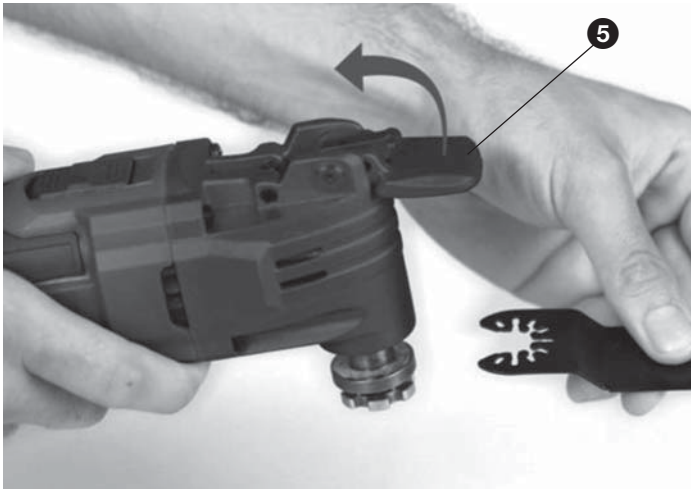
FDB 200352-E

English	5-14
Čeština.....	15-24
Slovenčina	25-34
Magyarul	35-44
Polski	45-54

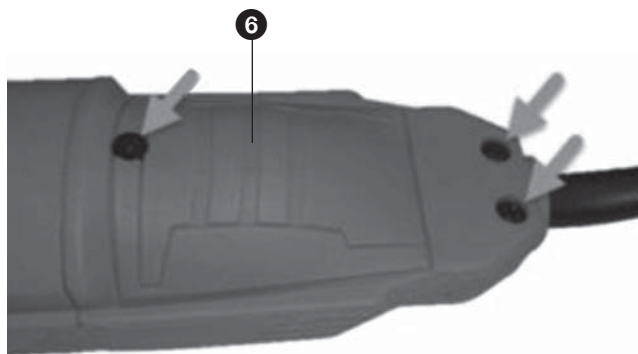
A



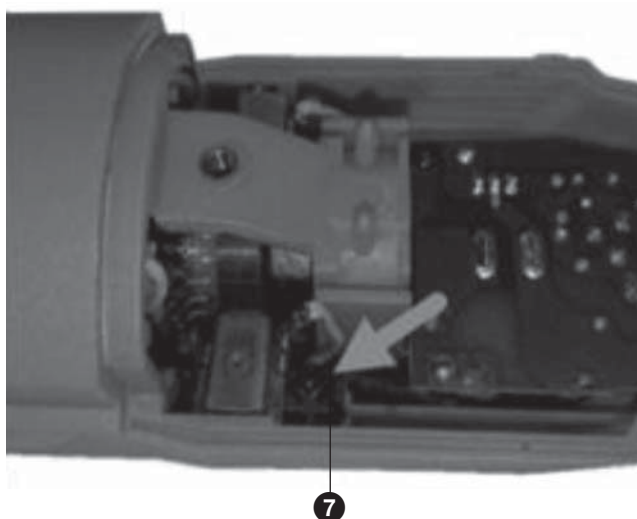
B



C1



C2



Multi Function Tool

USER'S MANUAL

Thank you for your purchase of the multi function tool. Before you start using it, please carefully read this user's manual and save it for possible future use.

TABLE OF CONTENTS




1. GENERAL SAFETY INSTRUCTIONS	6
2. SYMBOLS.....	10
3. DESCRIPTION.....	11
4. ASSEMBLY	11
5. USE.....	11
6. CLEANING AND MAINTENANCE	12
7. TECHNICAL DATA	13
8. DISPOSAL.....	14

1. GENERAL SAFETY INSTRUCTIONS

WARNING!

Carefully read the instruction manual before use.

Important safety warnings

-  Unpack the product carefully and be sure not to throw away any part of the package before having found all components of the product.
-  Keep the product in a dry place out of reach of children.
-  Read all cautions and instructions. The failure to adhere to warning cautions and instructions may result in an accident, fire and/or a serious injury.

Packaging

The product is placed in a package preventing damage during transport. This package is a raw material therefore it can be handed-over for recycling.

Instructions for use

Before beginning to work with the machine, read the following safety rules and instructions for use. Familiarize with operating elements and the proper use of the device. Keep the manual in a safe place for future reference. We recommend keeping the original package including the inner packaging materials, cash voucher and guarantee card for a period of warranty at minimum.

For a case of transportation, pack the machine into the original box from the manufacturer, thus ensuring a maximum protection of the product during a possible transport (e.g. moving or sending into a service station).

Note:

If you hand the machine over to next persons, hand it over together with the manual. Adherence to the attached instructions for use is a precondition for the proper use of the machine. The operation manual includes also instructions for operation, maintenance and repairs.

The manufacturer does not take any responsibility for accidents or damages resulting from the failure to adhere to this manual.

Please read these safety instructions carefully, remember them and keep them in a safe place.

⚠ WARNING!

When using electric machinery and power tools, it is important to abide by and adhere to the following safety instructions for reasons of protection against injury caused by electric current, injury of persons and risk of starting fires. The term "power tools" used in the instructions below refers to power tools that are plugged into a power supply (by a power cord) as well as tools running on a battery pack (cordless). Keep all warnings and instructions for further use.

Work environment

- ☼ Keep the work area clean and well lit. Untidiness and dark places on the job site are usually causes of accidents. Store tools that are not used.
- ☼ Do not use power tools in an environment where there is risk of starting a fire or explosion; this refers to places where there are flammable liquids, gases or dust. Sparks form on the power tool's commutator, which can cause dust or fume ignition.
- ☼ When using power tools, unauthorized persons, especially children, should be denied entry to the job site! In case you are interrupted, you can lose control of the current activity. In any case, do not leave the power tool without supervision. Prevent animals from approaching the equipment.

Electrical safety

- ☼ The power tool's power plug must correspond to the power outlet. Never alter the plug in any way. If the tool's plug has a safety peg, never use an adapter of any kind. Undamaged plugs and corresponding outlets prevent the risk of injury by electric current. If the power cord is damaged, it must be replaced by a new power cord that can be obtained from an authorized service centre or the importer.
- ☼ Avoid bodily contact with grounded items, e.g. piping, radiators, kitchen ranges and refrigerators. The risk of injury by electric current is greater if your body is connected to the ground.
- ☼ Do not expose power tools to rain, moisture or dampness. Never touch power tools with wet hands. Never wash power tools with running water and never submerge them into water.
- ☼ Do not use the power cord for any other purpose than originally intended. Never carry or pull the power tools by the power cord. Do not pull the plug out of the outlet by pulling on the cord. Avoid mechanical damage to the power cord by sharp or hot objects.
- ☼ Power tools were manufactured exclusively for the AC power supply. Always check if the electrical voltage corresponds to the data printed on the tool's serial number label.
- ☼ Never work with a tool that has a damaged power cord or plug, or that has fallen on the ground and is damaged in any way.
- ☼ In the case of using an extension cord, always check that its technical parameters correspond to the data printed on the tool's serial number label. If the power tool is used outdoors, use an extension cord that is appropriate for exterior use. When using an extension cable drum, the cord must be unwound to prevent the cord from overheating.
- ☼ If the power tool is used in moist areas or outdoors, it is permitted to use it only if it is plugged into an electric circuit with a residual current device ≤ 30 mA. Using a circuit with an RCD lowers the risk of injury by electric current.
- ☼ Grasp hand power tools at the designated isolated grip areas because, during operation, one may come into contact with the cutting or drilling fittings with a hidden conductor or with the power cord.

Personal safety

- ✿ When using a power tool, be careful and alert, pay special attention to the activity you are doing. Concentrate on your work. Do not work with power tools if you are tired or if you are under the influence of drugs, alcohol or medication. When using power tools, even a momentary lapse in attentiveness can lead to severe personal injury. Do not eat, drink or smoke while working with power tools.
- ✿ Use protective gear. Always use eye protection. Use protective gear corresponding to the type of work you are doing. Protective gear such as respirators, safety shoes with antiskid treatment, head protection or ear protection, used in accordance with working conditions, lower the risk of personal injury.
- ✿ Avoid unintentional operation of tools. Do not carry tools that are plugged into the electric grid with your finger on the switch or release trigger. Before connecting the tool to a power supply, make sure that the switch or release trigger are in the "off" position. Carrying tools with your finger on the switch or plugging the tool into an outlet with the switch in the "on" position can cause serious injury.
- ✿ Before turning tools on, remove all adjustment wrenches and tools. The adjustment wrench or tool that stays connected to the rotating part of the power tool can cause personal injury.
- ✿ Always stand firmly and keep your balance. Work only in places that you can reach safely. Never overestimate your own strength. Do not use power tools if you are tired.
- ✿ Dress appropriately. Use working clothes. Do not wear loose clothing or jewellery. Make sure that your hair, clothing, gloves or other body parts do not come overly close to rotating or heated parts of the power tool.
- ✿ Connect the equipment to the dust exhaust. If the tool offers the possibility to connect equipment for capturing dust or dust suction, make sure that it is properly connected and used. Using this equipment can reduce danger resulting from dust.
- ✿ Firmly fasten the workpiece. Use a carpenter's clamp or vice to secure the piece you will be cutting.
- ✿ Do not use power tools if you are under the influence of alcohol, drugs, medication or other narcotics or addictive substances.
- ✿ This equipment is not intended to be used by persons with limited physical, sensory or mental abilities (including children) or persons with insufficient experience and knowledge, unless they are supervised or received instructions to use the equipment from a person responsible for his/her safety. Children must be supervised in order to ensure that they are not playing with the equipment.

Using power tools and their maintenance

- ✿ Always disconnect the power tool from the electric grid if there is any problem during work, before every cleaning or maintenance, during every shift and after finishing work! Never work with power tools if they are damaged in any way.
- ✿ If the tool starts emitting abnormal noises or odours, immediately stop working.
- ✿ Do not overload power tools. The power tool will function better and more safely if it operates at speeds for which it was designed. Use correct tools that are designated for the given activity. The correct tool works better and more safely.
- ✿ Do not use power tools that cannot be turned on safely and cannot be turned on and off with a control switch. Using this type of tool is dangerous. Faulty switches must be repaired at a certified service centre.
- ✿ Disconnect the tool from the power supply before you start setting, changing accessories or maintenance. This measure will prevent the risk of accidental start-up.
- ✿ Store unused power tools so that they are out of the reach of children and unauthorized persons. Power tools in the hands of inexperienced users can be dangerous. Store power tools in a dry and safe place.

- ✿ Keep power tools in good condition. Regularly check the setting of moving parts and their movability. Check if the protective cover or other parts that can limit the safe functioning of the power tool are not damaged. If the tool is damaged, ensure its proper repair before the next use. Many injuries are caused by poorly maintained power tools.
- ✿ Keep cutting tools sharp and clean. Properly maintained and sharpened tools make work easier, limit the risk of injury and work with them is much more easily controlled. Using other accessories than those listed in the instruction manual can cause damage to the tool and can cause injury.
- ✿ Use power tools, accessories, work tools, etc. in accordance with these instructions and in a way that is described for the specific power tool and with regard to the given working conditions and the type of job. Using tools for other purposes than those intended can lead to dangerous situations.

Service

- ✿ Do not change parts of the tool, do not perform repairs on your own and do not interfere with the tool's construction in any way. Leave tool repairs to qualified persons.
- ✿ Each repair or product modification performed without our company's permission is inadmissible (it can cause injury or harm to the user).
- ✿ Always leave tools to be repaired in a certified service centre. Use only original or recommended spare parts. This will ensure your and your tool's safety.

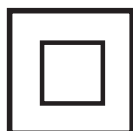
2. SYMBOLS



The product complies with the applicable standards and regulations.



Read the Instruction Manual attentively prior to use.



Double-insulated.



Use eyes protective equipment



Use ears protective equipment



Wear a breathing mask.



Subjected to recycling



3. DESCRIPTION

Your multi-tool has been designed for light sanding, sawing and scraping application.

1. On/off switch
2. Speed adjustment wheel
3. Mounting point for accessories
4. Grip
5. Quick change lever
6. Carbon brush cover
7. Carbon brush holder

4. ASSEMBLY

⚠ Before assembly, always switch off the machine and remove the mains plug from the mains.

The sanding pad and the sanding paper must be used for sanding application.

Removing the mounting accessories (Fig. B)

- ✿ Release the quick change lever (5) and slide the accessory forward to remove from the holder.
- ✿ Slide the accessory in the holder and fasten the quick change lever (5).

5. USE

Switching on and off (Fig. A)

- ✿ To Switch on the machine, slide the on/off switch (1) to the front.
- ✿ To switch off the machines, slide the on/off switch (1) the rear.

Setting the speed (Fig. A)

The speed adjustment wheel is used for setting the speed. The speed adjustment wheel can be set to 6 positions. The ideal speed depends on the application and on the material to be worked.

⚠ Do not set the speed during use.

Turn the speed adjustment wheel (2) to the required position.

Hints for optimum use

- ✿ Clamp the work piece. Use a clamping device for small work pieces.
- ✿ Draw a line to define the direction in which to guide the accessory.
- ✿ Firmly hold the machine by the grip.
- ✿ Switch on the machine.
- ✿ Wait until the machine has reached full speed.
- ✿ Place the accessory on the work piece.
- ✿ Slowly move the machine along the pre-drawn line, firmly pressing the accessory against the work piece.
- ✿ Do not apply too much pressure on the machine. Let the machine do the work.
- ✿ Switch off the machine and wait for the machine to come to complete standstill before putting the machine down.

6. CLEANING AND MAINTENANCE

⚠ Before cleaning and maintenance, always switch off the machine and remove the mains plug from the mains.

- ✿ Regularly clean the housing with a soft cloth.
- ✿ Keep the ventilation slots free from dust and dirt. If necessary, use a soft, moist cloth to remove dust and dirt from the ventilation slots.

Replacing the accessories (Fig. B)

⚠ Only use sharp and undamaged accessories.

- ✿ To remove the accessory, proceed as described in the corresponding section.
- ✿ To mount the accessory, proceed as described in the corresponding section.

Checking and replacing the carbon brushes (Fig. A+C)

The carbon brushes must be checked regularly. If the carbon brushes are worn the machine start to run unevenly.

⚠ Only use the correct type of carbon brushes.

- ✿ Remove the carbon brush cover (6).
- ✿ Remove the carbon brush holders (7) using screwdriver.
- ✿ Clean the carbon brushes.
- ✿ In case of wear, replace both carbon brushes at the same time.
- ✿ Mount the carbon brush holders (7) using a screwdriver.
- ✿ After mounting the new carbon brushes, let the machine run at no load for 15 minutes.

7. TECHNICAL DATA

Mains voltage:	220-240V~
Mains frequency:	50 Hz
Power input:	350 W
No Load Speed:	0-23000 min ⁻¹

8. DISPOSAL

INSTRUCTIONS AND INFORMATION REGARDING THE DISPOSAL OF USED PACKAGING MATERIALS

Dispose of packaging material at a public waste disposal site.

DISPOSAL OF USED ELECTRICAL AND ELECTRONIC APPLIANCES



The meaning of the symbol on the product, its accessory or packaging indicates that this product shall not be treated as household waste. Please, dispose of this product at your applicable collection point for the recycling of electrical & electronic equipment waste. Alternatively in some states of the European Union or other European states you may return your products to your local retailer when buying an equivalent new product. The correct disposal of this product will help save valuable natural resources and help in preventing the potential negative impact on the environment and human health, which could be caused as a result of improper liquidation of waste. Please ask your local authorities or the nearest waste collection centre for further details. The improper disposal of this type of waste may fall subject to national regulations for fines.

For business entities in the European Union

If you wish to dispose of an electrical or electronic device, request the necessary information from your seller or supplier.

Disposal in other countries outside the European Union

If you wish to dispose of this product, request the necessary information about the correct disposal method from local government departments or from your seller.



This product meets all the basic EU regulation requirements that relate to it.

Changes to the text, design and technical specifications may occur without prior notice and we reserve the right to make these changes.

User manual in the original language.

Multifunkční nářadí

UŽIVATELSKÁ PŘÍRUČKA

Děkujeme vám za zakoupení tohoto multifunkčního nářadí. Před jejím použitím si prosím pozorně přečtete tuto uživatelskou příručku a uschovejte ji pro případné pozdější použití.

OBSAH

1. OBECNÉ BEZPEČNOSTNÍ POKYNY	16
2. SYMBOLY	20
3. POPIS	21
4. SESTAVENÍ	21
5. POUŽITÍ	21
6. ČIŠTĚNÍ A ÚDRŽBA	22
7. TECHNICKÉ ÚDAJE	23
8. LIKVIDACE	24

1. OBECNÉ BEZPEČNOSTNÍ POKYNY

VAROVÁNÍ!

Před použitím si pozorně přečtěte tento návod.

Důležitá bezpečnostní varování

- ✿ Výrobek opatrně vybalte a před vyhozením obalových materiálů zkontrolujte, zda balení obsahovalo všechny součásti tohoto výrobku.
- ✿ Uložte tento výrobek na suchém místě mimo dosah dětí.
- ✿ Přečtěte si všechna upozornění a všechny pokyny. V případě nedodržení varovných upozornění a pokynů hrozí nebezpečí nehody, požáru a/nebo vážného zranění.

Balení

Tento výrobek je umístěn v obalu, který zabraňuje jeho poškození během přepravy. Tento obal představuje znovu využitelnou surovinu, a proto jej můžete odevzdat k recyklaci.

Pokyny pro použití

Před zahájením práce s tímto nářadím si přečtěte následující bezpečnostní předpisy a pokyny pro použití.

Důkladně se seznamte s ovládacími prvky zařízení a se správným způsobem jeho používání. Uložte tento návod na bezpečné místo pro pozdější použití. Doporučujeme vám, abyste si alespoň po dobu platnosti záruky uschovali originální obal včetně vnitřních balících materiálů, pokladní doklad a záruční list.

V případě přepravy zabalte nářadí do originální krabice od výrobce, aby byla zajištěna maximální ochrana tohoto výrobku během přepravy (například odvoz nebo odeslání do servisního střediska).

Poznámka:

Budete-li toto nářadí předávat dalšímu uživateli, přiložte k němu také tento návod. Dodržování dodávaných pokynů pro používání je nezbytným předpokladem správného používání zařízení. Návod k použití obsahuje kromě pokynů k obsluze také pokyny k provádění údržby a oprav.

Výrobce nenese žádnou odpovědnost za nehody nebo škody vzniklé v důsledku nedodržování pokynů v tomto návodu.

Přečtěte si prosím pozorně tyto bezpečnostní pokyny, zapamatujte si je a uložte je na bezpečném místě.

⚠ VAROVÁNÍ!

Během používání elektrických strojních zařízení a elektrického nářadí je důležité dodržovat následující bezpečnostní pokyny a řídit se jimi, aby byla zajištěna ochrana před zraněním v důsledku zasažení elektrickým proudem, ochrana před jakýmkoli jiným zraněním osob a ochrana před nebezpečím vzniku požáru. Pojem „elektrické nářadí“, který je používán v níže uvedených pokynech, se vztahuje k elektrickému nářadí, které se připojuje ke zdroji elektrické energie (prostřednictvím napájecího kabelu), i k nářadí napájenému pomocí baterie (bez napájecího kabelu). Všechna varování a pokyny uschovejte pro budoucí použití.

Pracovní prostředí

- ☼ Udržujte pracovní prostor čistý a dobře osvětlený. Neuspořádaná a tmavá místa na pracovišti jsou obvykle příčinou nehod. Nepoužívané nářadí uskladněte.
- ☼ Nepoužívejte elektrické nářadí v prostředí, kde hrozí nebezpečí požáru nebo výbuchu; to se týká zejména míst s výskytem hořlavých kapalin, plynů nebo prachu. Na komutátoru elektrického nářadí se vytváří jiskry, které mohou způsobit vznícení prachu nebo výparů.
- ☼ Při práci s elektrickým nářadím je třeba zamezit možnosti vstupu nepovolaných osob, zejména dětí, na pracoviště! V případě odvedení pozornosti můžete ztratit kontrolu nad právě prováděnou činností. V žádném případě nenechávejte elektrické nářadí bez dozoru. Nedovolte, aby se k zařízení přiblížila zvířata.

Elektrická bezpečnost

- ☼ Zástrčka napájecího kabelu elektrického nářadí musí odpovídat síťové zásuvce. Zástrčku nikdy žádným způsobem neupravujte. Je-li zástrčka napájecího kabelu elektrického nářadí vybavena bezpečnostním kolíkem, nikdy nepoužívejte adaptér jakéhokoli druhu. Používáním nepoškozených zástrček a odpovídajících zásuvek předejdete nebezpečí úrazu elektrickým proudem. Je-li napájecí kabel poškozený, musí být vyměněn za nový, který lze získat prostřednictvím autorizovaného servisního střediska nebo dovozce.
- ☼ Vyhněte se kontaktu těla s uzemněnými předměty, jako jsou potrubí, topná tělesa, kuchyňské sporáky a chladničky. Nebezpečí zasažení elektrickým proudem je větší, jestliže je vaše tělo propojeno se zemí.
- ☼ Nevystavujte elektrické nářadí dešti nebo vlhkosti. Nikdy se elektrického nářadí nedotýkejte mokřímá rukama. Nikdy elektrické nářadí neumývejte pod tekoucí vodou a nikdy jej neponořujte do vody.
- ☼ Napájecí kabel nepoužívejte k žádnému jinému účelu, než k jakému je původně určen. Nikdy elektrické nářadí nepřendávejte ani netahejte za napájecí kabel. Zástrčku neodpojujte od zásuvky taháním za napájecí kabel. Chraňte napájecí kabel před mechanickým poškozením způsobeným stykem s ostrými nebo horkými předměty.
- ☼ Elektrické nářadí, které je vybaveno napájecím kabelem, je určeno výlučně k připojení ke zdroji střídavého napětí. Vždy zkontrolujte, zda elektrické napětí odpovídá údajům vytištěným na štítku s výrobním číslem nářadí.
- ☼ Nikdy nepracujte s nářadím, které má poškozen napájecí kabel nebo zástrčku a s nářadím, které spadlo na zem nebo které je jakkoli jinak poškozeno.
- ☼ V případě používání prodlužovacího kabelu vždy zkontrolujte, zda technické parametry tohoto kabelu odpovídají údajům vytištěným na štítku s výrobním číslem nářadí. Pokud s elektrickým nářadím pracujete ve venkovním prostředí, používejte prodlužovací kabel, který je pro toto venkovní prostředí vhodný. Při používání bubnu s prodlužovacím kabelem musí být kabel odvinutý, aby se předešlo jeho přehřívání.

- ✿ Pokud se elektrické nářadí používá ve vlhkých oblastech nebo venku, je povoleno jeho používání pouze v případě, je-li připojeno k elektrickému obvodu s proudovým chráničem ≤ 30 mA. Používání obvodu s proudovým chráničem snižuje nebezpečí zasažení elektrickým proudem.
- ✿ Při práci držte ruční elektrické nářadí za izolovaná místa určená pro úchop, protože během provozu může dojít ke styku řezných nebo vrtacích pracovních částí nářadí se skrytým vodičem nebo s napájecím kabelem.

Bezpečnost osob

- ✿ Při používání elektrického nářadí buďte opatrní a pozorní, a vždy se plně soustřeďte na prováděnou činnost. Soustřeďte se na prováděnou práci. Nepoužívejte elektrické nářadí, pokud jste unaveni nebo pod vlivem drog, alkoholu nebo léků. Během používání elektrického nářadí může mít i chvilková nepozornost za následek vážné zranění osob. Během práce s elektrickým nářadím nejezte, nepijte a nekuřte.
- ✿ Používejte ochranné pomůcky. Vždy používejte ochranu zraku. Používejte ochranné pomůcky odpovídající druhu prováděné práce. Ochranné pomůcky, jako například respirátory, bezpečnostní obuv s protiskluzovou úpravou, ochrana hlavy nebo ochrana sluchu, které se používají v souladu s pracovními podmínkami, snižují nebezpečí zranění osob.
- ✿ Zamezte možnosti neúmyslného spuštění nářadí. Nepřenášejte nářadí, které je připojeno k elektrické síti, s prstem na jeho spínači nebo spoušti. Před připojením nářadí k napájecímu zdroji se ujistěte, zda je spínač nebo spoušť v poloze „off“ (vypnuto). Přenášení nářadí s prstem na jeho spínači nebo na spoušti, nebo připojování nářadí k zásuvce v době, kdy je jeho spínač v poloze „on“ (zapnuto), může způsobit vážné zranění.
- ✿ Před zapnutím nářadí odstraňte všechny seřizovací klíče a nástroje. Seřizovací klíč nebo jiný nástroj, který zůstane připojený k otáčející se části elektrického nářadí, může způsobit vážné zranění osob.
- ✿ Při práci stůjte vždy tak, abyste měli pevnou oporu a neztratili rovnováhu. Pracujte pouze v místech, která jsou ve vašem bezpečném dosahu. Nikdy nepřeceňujte své vlastní síly. Jestliže jste unaveni, elektrické nářadí nepoužívejte.
- ✿ Vhodně se oblékejte. Používejte pracovní oděv. Nenoste volný oděv nebo šperky. Zajistěte, aby se vaše vlasy, oblečení, rukavice nebo jiné části těla nedostaly do příliš malé vzdálenosti od otáčejících se nebo zahřívajících se částí elektrického nářadí.
- ✿ Připojte zařízení k odsávání prachu. Pokud nářadí poskytuje možnost připojení zařízení pro zachytávání nebo odsávání prachu, zajistěte, aby bylo toto zařízení správně připojeno a používáno. Používání takového zařízení může snížit nebezpečí související s prachem.
- ✿ Obrobek pevně upněte. K zajištění dílu, který budete řezat, použijte tesařskou svorku nebo svěrák.
- ✿ Nepoužívejte elektrické nářadí, pokud jste pod vlivem alkoholu, drog, léků nebo jiných omamných či návykových látek.
- ✿ Toto zařízení není určeno k tomu, aby jej používaly osoby s omezenými tělesnými, smyslovými nebo duševními schopnostmi (včetně dětí) nebo osoby s nedostatečnými zkušenostmi a znalostmi, pokud nejsou pod dohledem osoby zodpovídající za jejich bezpečnost nebo pokud od této osoby neobdržely pokyny ke správnému používání zařízení. Děti musí být pod dozorem, aby bylo zajištěno, že si s tímto zařízením nebudou hrát.

Používání a údržba elektrického nářadí

- ✿ Vyskytne-li se během práce jakýkoli problém a také před každým prováděním čištění nebo údržby, při každém střídání pracovních směn a po dokončení práce, odpojte elektrické nářadí vždy od elektrické sítě! S jakkoli poškozeným elektrickým nářadím nikdy nepracujte.

- ☼ Pokud nářadí začne vydávat nezvyklý hluk nebo z něj začne vycházet neobvyklý zápach, ihned s ním přestaňte pracovat.
- ☼ Nepřetěžujte elektrické nářadí. Elektrické nářadí bude pracovat lépe a bezpečněji, bude-li používáno v otáčkách, pro jaké bylo navrženo. Používejte správné nářadí, které je určeno pro konkrétní činnost. Práce se správně zvoleným nářadím je účinnější a bezpečnější.
- ☼ Nepoužívejte elektrické nářadí, které nelze bezpečně zapínat a vypínat pomocí ovládacího spínače. Používání nářadí v tomto stavu je nebezpečné. Vadné spínače musí být opraveny v autorizovaném servisním středisku.
- ☼ Před zahájením nastavení, výměnou příslušenství nebo údržbou odpojte toto nářadí od zdroje energie. Toto opatření zabrání nebezpečí náhodného rozběhnutí.
- ☼ Nepoužívané elektrické nářadí uložte tak, aby bylo mimo dosah dětí a nepovolaných osob. Elektrické nářadí může být v rukou nezkušených uživatelů nebezpečné. Pro uložení elektrického nářadí vyberte suchá a bezpečná místa.
- ☼ Elektrické nářadí udržujte v dobrém stavu. Pravidelně kontrolujte nastavení pohyblivých součástí i jejich pohyblivost. Kontrolujte, zda ochranný kryt nebo jiné díly nejsou poškozeny a neomezují tak bezpečnou funkci elektrického nářadí. Je-li nářadí poškozeno, před dalším použitím zajistěte jeho řádnou opravu. Mnoho zranění bývá způsobeno zanedbanou údržbou elektrického nářadí.
- ☼ Udržujte řezné nástroje ostré a čisté. Řádně udržované a naostržené nářadí usnadňuje práci, snižuje nebezpečí zranění a umožňuje snazší kontrolu během práce. Používání jiného příslušenství, než které je uvedeno v návodu k obsluze, může způsobit poškození nářadí a zranění osob.
- ☼ Elektrické nářadí, příslušenství, pracovní nástroje atd. používejte v souladu s těmito pokyny a způsobem, jehož popis se vztahuje ke konkrétnímu typu elektrického nářadí, daným pracovními podmínkami a druhu práce. Používání nářadí k jiným než určeným účelům, může mít za následek vznik nebezpečných situací.

Servis

- ☼ Nevyměňujte součásti nářadí, neprovádějte vlastními silami jeho opravy a žádným způsobem nezasahujte do jeho konstrukce. Provádění oprav nářadí svěřujte osobám s odbornou kvalifikací.
- ☼ Každá oprava nebo úprava produktu provedená bez předchozího souhlasu naší společnosti je považována za nepřijatelnou (může uživateli způsobit zranění nebo škodu).
- ☼ Provádění oprav nářadí vždy svěřte autorizovanému servisnímu středisku. Používejte pouze originální nebo doporučené náhradní díly. Tím bude zaručena bezpečnost vás samotných i vašeho nářadí.

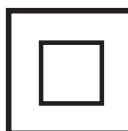
2. SYMBOLY



Tento výrobek splňuje požadavky platných norem a předpisů.



Přečtěte si pozorně tento návod před použitím tohoto nářadí.



Dvojitá izolace.



Používejte ochranu zraku



Používejte ochranu sluchu



Noste masku proti prachu.



Určeno pro recyklaci



3. POPIS

Vaše multifunkční nářadí bylo navrženo pro nenáročné broušení, řezání a škrábání.

1. Spínač zapnuto/vypnuto
2. Regulátor otáček
3. Montážní bod pro příslušenství
4. Rukojeť
5. Rychloupínací páčka
6. Kryt uhlíků
7. Držák uhlíku

4. SESTAVENÍ

⚠ Před sestavením toto nářadí vždy vypněte a odpojte zástrčku napájecího kabelu od síťové zásuvky.

Pro brusné práce musí být použita tato brusná podložka a brusný papír.

Sejmutí montážního příslušenství (obr. B)

- ☼ Uvolněte rychloupínací páčku (5) a posuňte toto příslušenství dopředu, aby mohlo být sejmuto z držáku.
- ☼ Nasuňte příslušenství do držáku a zajistěte rychloupínací páčku (5).

5. POUŽITÍ

Zapnutí a vypnutí (obr. A)

- ☼ Chcete-li toto nářadí zapnout, přesuňte spínač zapnuto/vypnuto (1) dopředu.
- ☼ Chcete-li toto nářadí vypnout, přesuňte spínač zapnuto/vypnuto (1) dozadu.

Nastavení otáček (obr. A)

Kolečko regulátoru otáček je používáno pro nastavení požadovaných otáček. Tento regulátor otáček může být nastaven do 6 poloh.

Ideální otáčky závisí na prováděné práci a na materiálu, s jakým pracujete.

⚠ Nenastavujte otáčky během práce s tímto nářadím.

Otočte kolečko regulátoru otáček (2) do požadované polohy.

Rady pro optimální použití

- ☼ Upněte si obrobek. Pro malé obrobky použijte upínací zařízení.
- ☼ Nakreslete si na obrobku čáru, která bude určovat směr, jakým se bude pohybovat pracovní příslušenství.
- ☼ Držte toto nářadí pevně za rukojeť.
- ☼ Zapněte nářadí.
- ☼ Počkejte, dokud toto nářadí nedosáhne maximálních otáček.
- ☼ Umístěte pracovní příslušenství na obrobek.
- ☼ Pomalu pohybujte nářadím podél nakreslené čáry a pevně přitlačujte pracovní příslušenství k obrobku.
- ☼ Nevytvíjejte na nářadí příliš velký tlak. Nechejte nářadí provádět požadovanou práci.
- ☼ Před odložením nářadí po ukončení práce toto nářadí vypněte a počkejte, dokud nedojde k jeho úplnému zastavení.

6. ČIŠTĚNÍ A ÚDRŽBA

⚠ Před prováděním čištění a údržby toto nářadí vždy vypněte a odpojte zástrčku napájecího kabelu od síťové zásuvky.

- ☼ Pravidelně čistěte kryt nářadí měkkým hadříkem.
- ☼ Udržujte větrací otvory v čistotě bez prachu a nečistot. Je-li to nutné, použijte pro odstranění prachu a nečistot z větracích otvorů měkký a vlhký hadřík.

Výměna příslušenství (obr. B)

⚠ Používejte pouze ostrá a nepoškozená pracovní příslušenství.

- ☼ Chcete-li příslušenství sejmout, postupujte podle popisu v odpovídající části.
- ☼ Chcete-li příslušenství použít, postupujte podle popisu v odpovídající části.

Kontrola a výměna uhlíků (obr. A + C)

Tyto uhlíky musí být pravidelně kontrolovány. Jsou-li uhlíky opotřebené, chod tohoto nářadí bude nepravidelný.

⚠ Používejte pouze správný typ uhlíků.

- ☼ Sejměte kryt uhlíků (6).
- ☼ Pomocí šroubováku vyjměte držáky uhlíků (7).
- ☼ Očistěte uhlíky.
- ☼ Jsou-li uhlíky opotřebené, vždy vyměňte oba uhlíky současně.
- ☼ Pomocí šroubováku vložte držáky uhlíků (7) zpět do nářadí.
- ☼ Po montáži nových uhlíků nechejte toto nářadí v chodu bez zatížení asi 15 minut.

7. TECHNICKÉ ÚDAJE

Síťové napětí:	220-240 V~
Frekvence:	50 Hz
Příkon:	350 W
Otáčky naprázdno:	0-23 000 min ⁻¹

8. LIKVIDACE

POKYNY A INFORMACE O NAKLÁDÁNÍ S POUŽITÝM OBALEM

Použitý obalový materiál odložte na místo určené obcí k ukládání odpadu.

LIKVIDACE POUŽITÝCH ELEKTRICKÝCH A ELEKTRONICKÝCH ZAŘÍZENÍ



Tento symbol na produktech anebo v průvodních dokumentech znamená, že použité elektrické a elektronické výrobky nesmí být přidány do běžného komunálního odpadu. Ke správné likvidaci, obnově a recyklaci předejte tyto výrobky na určená sběrná místa. Alternativně v některých zemích Evropské unie nebo jiných evropských zemích můžete vrátit své výrobky místnímu prodejci při koupi ekvivalentního nového produktu. Správnou likvidací tohoto produktu pomůžete zachovat cenné přírodní zdroje a napomáháte prevenci potenciálních negativních dopadů na životní prostředí a lidské zdraví, což by mohly být důsledky nesprávné likvidace odpadů. Další podrobnosti si vyžádejte od místního úřadu nebo nejbližšího sběrného místa. Při nesprávné likvidaci tohoto druhu odpadu mohou být v souladu s národními předpisy uděleny pokuty.

Pro podnikové subjekty v zemích Evropské unie

Chcete-li likvidovat elektrická a elektronická zařízení, vyžádejte si potřebné informace od svého prodejce nebo dodavatele.

Likvidace v ostatních zemích mimo Evropskou unii

Tento symbol je platný v Evropské unii. Chcete-li tento výrobek zlikvidovat, vyžádejte si potřebné informace o správném způsobu likvidace od místních úřadů nebo od svého prodejce.



Tento výrobek splňuje veškeré základní požadavky směrnic EU, které se na něj vztahují.

Změny v textu, designu a technických specifikacích se mohou měnit bez předchozího upozornění a vyhrazuje si právo na jejich změnu.

Uživatelské příručka v originálním jazyce.

Multifunkčné náradie

POUŽÍVATEĽSKÁ PRÍRUČKA

Ďakujeme vám za kúpu tohto multifunkčného náradia. Pred jej použitím si, prosím, pozorne prečítajte túto používateľskú príručku a uschovajte ju na prípadné neskoršie použitie.

OBSAH

1. VŠEOBECNÉ BEZPEČNOSTNÉ POKYNY.....	26
2. SYMBOLY	30
3. POPIS	31
4. ZOSTAVENIE	31
5. POUŽITIE	31
6. ČISTENIE A ÚDRŽBA.....	32
7. TECHNICKÉ ÚDAJE.....	33
8. LIKVIDÁCIA.....	34

1. VŠEOBECNÉ BEZPEČNOSTNÉ POKYNY

VAROVANIE!

Pred použitím si pozorne prečítajte tento návod.

Dôležité bezpečnostné varovania

- ✿ Výrobok opatrne vybalte a pred vyhodnotením obalových materiálov skontrolujte, či balenie obsahovalo všetky súčasti tohto výrobku.
- ✿ Uložte tento výrobok na suchom mieste mimo dosahu detí.
- ✿ Prečítajte si všetky upozornenia a všetky pokyny. V prípade nedodržania varovných upozornení a pokynov hrozí nebezpečenstvo nehody, požiaru a/alebo vážneho zranenia.

Balenie

Tento výrobok je umiestnený v obale, ktorý zabraňuje jeho poškodeniu počas prepravy. Tento obal predstavuje znovu využiteľnú surovinu, a preto ho môžete odovzdať na recykláciu.

Pokyny na použitie

Pred začatím práce s týmto náradím si prečítajte nasledujúce bezpečnostné predpisy a pokyny na použitie. Dôkladne sa oboznámte s ovládacími prvkami zariadenia a so správnym spôsobom jeho používania. Uložte tento návod na bezpečné miesto na neskoršie použitie. Odporúčame vám, aby ste si aspoň počas platnosti záruky uschovali originálny obal vrátane vnútorných baliacich materiálov, pokladničný doklad a záručný list. V prípade prepravy zabalte náradie do originálnej škatule od výrobcu, aby bola zaistená maximálna ochrana tohto výrobku počas prepravy (napríklad odvoz alebo odoslanie do servisného strediska).

Poznámka:

Ak budete toto náradie odovzdávať ďalšiemu používateľovi, priložte k nemu aj tento návod. Dodržiavanie dodávaných pokynov na používanie je nevyhnutným predpokladom správneho používania zariadenia. Návod na použitie obsahuje okrem pokynov na obsluhu aj pokyny na vykonávanie údržby a opráv.

Výrobca nenesie žiadnu zodpovednosť za nehody alebo škody vzniknuté v dôsledku nedodržania pokynov v tomto návode.

Prečítajte si, prosím, pozorne tieto bezpečnostné pokyny, zapamätajte si ich a uložte ich na bezpečnom mieste.

⚠ VAROVANIE!

Počas používania elektrických strojových zariadení a elektrického náradia je dôležité dodržiavať nasledujúce bezpečnostné pokyny a riadiť sa nimi, aby bola zaistená ochrana pred zranením v dôsledku zasiahnutia elektrickým prúdom, ochrana pred akýmkoľvek iným zranením osôb a ochrana pred nebezpečenstvom vzniku požiaru. Pojem „elektrické náradie“, ktorý sa používa v nižšie uvedených pokynoch, sa vzťahuje na elektrické náradie, ktoré sa pripája k zdroju elektrickej energie (prostredníctvom napájacieho kábla), aj na náradie napájané pomocou batérie (bez napájacieho kábla). Všetky varovania a pokyny uschovajte na budúce použitie.

Pracovné prostredie

- ☼ Udržujte pracovný priestor čistý a dobre osvetlený. Neusporiadané a tmavé miesta na pracovisku sú obvykle príčinou nehôd. Nepoužívané náradie uskladnite.
- ☼ Nepoužívajte elektrické náradie v prostredí, kde hrozí nebezpečenstvo požiaru alebo výbuchu; to sa týka najmä miest s výskytom horľavých kvapalín, plynov alebo prachu. Na komutátore elektrického náradia sa vytvárajú iskry, ktoré môžu spôsobiť vznietenie prachu alebo výparov.
- ☼ Pri práci s elektrickým náradím je potrebné zamedziť možnosti vstupu nepovolaných osôb, najmä detí, na pracovisko! V prípade odvedenia pozornosti môžete stratiť kontrolu nad práve vykonávanou činnosťou. V žiadnom prípade nenechávajte elektrické náradie bez dozoru. Nedovoľte, aby sa k zariadeniu priblížili zvieratá.

Elektrická bezpečnosť

- ☼ Zástrčka napájacieho kábla elektrického náradia musí zodpovedať sieťovej zásuvke. Zástrčku nikdy žiadnym spôsobom neupravujte. Ak je zástrčka napájacieho kábla elektrického náradia vybavená bezpečnostným kolíkom, nikdy nepoužívajte adaptér akéhokoľvek druhu. Používaním nepoškodených zástrčiek a zodpovedajúcich zásuviek predídete nebezpečenstvu úrazu elektrickým prúdom. Ak je napájací kábel poškodený, musí sa vymeniť za nový, ktorý je možné získať prostredníctvom autorizovaného servisného strediska alebo dovozcu.
- ☼ Vyhýbajte sa kontaktu tela s uzemnenými predmetmi, ako sú potrubia, vyhrievacie telesá, kuchynské sporáky a chladničky. Nebezpečenstvo zasiahnutia elektrickým prúdom je väčšie, ak je vaše telo prepojené so zemou.
- ☼ Nevystavujte elektrické náradie dažďu alebo vlhkosti. Nikdy sa elektrického náradia nedotýkajte mokrymi rukami. Nikdy elektrické náradie neumývajte pod tečúcou vodou a nikdy ho neponárajte do vody.
- ☼ Napájací kábel nepoužívajte na žiadny iný účel, než na aký je pôvodne určený. Nikdy elektrické náradie neprenášajte ani nefahajte za napájací kábel. Zástrčku neodpájajte od zásuvky ťahaním za napájací kábel. Chráňte napájací kábel pred mechanickým poškodením spôsobeným stykom s ostrými alebo horúcimi predmetmi.
- ☼ Elektrické náradie, ktoré je vybavené napájacím káblom, je určené výlučne na pripojenie k zdroju striedavého napätia. Vždy skontrolujte, či elektrické napätie zodpovedá údajom vytlačeným na štítku s výrobným číslom náradia.
- ☼ Nikdy nepracujte s náradím, ktoré má poškodený napájací kábel alebo zástrčku a s náradím, ktoré spadlo na zem alebo ktoré je akokoľvek inak poškodené.

- ✿ V prípade používania predlžovacieho kábla vždy skontrolujte, či technické parametre tohto kábla zodpovedajú údajom vytlačeným na štítku s výrobným číslom náradia. Ak s elektrickým náradím pracujete vo vonkajšom prostredí, používajte predlžovací kábel, ktorý je pre toto vonkajšie prostredie vhodný. Pri používaní bubna s predlžovacím káblom musí byť kábel odvinutý, aby sa predišlo jeho prehrievaniu.
- ✿ Ak sa elektrické náradie používa vo vlhkých oblastiach alebo vonku, je povolené jeho používanie iba v prípade, ak je pripojené k elektrickému obvodu s prúdovým chráničom ≤ 30 mA. Používanie obvodu s prúdovým chráničom znižuje nebezpečenstvo zasiahnutia elektrickým prúdom.
- ✿ Pri práci držte ručné elektrické náradie za izolované miesta určené na uchopenie, pretože počas prevádzky môže dôjsť k styku rezných alebo vŕtacích pracovných častí náradia so skrytým vodičom alebo s napájacím káblom.

Bezpečnosť osôb

- ✿ Pri používaní elektrického náradia buďte opatrní a pozorní, a vždy sa plne sústreďte na vykonávanú činnosť. Sústreďte sa na vykonávanú prácu. Nepoužívajte elektrické náradie, ak ste unavení alebo pod vplyvom drog, alkoholu alebo liekov. Počas používania elektrického náradia môže mať aj chvíľková nepozornosť za následok vážne zranenie osôb. Počas práce s elektrickým náradím nejedzte, nepite a nefajčite.
- ✿ Používajte ochranné pomôcky. Vždy používajte ochranu zraku. Používajte ochranné pomôcky zodpovedajúce druhu vykonávanej práce. Ochranné pomôcky, ako napríklad respirátory, bezpečnostná obuv s protišmykovou úpravou, ochrana hlavy alebo ochrana sluchu, ktoré sa používajú v súlade s pracovnými podmienkami, znižujú nebezpečenstvo zranenia osôb.
- ✿ Zamedzte možnosti neúmyselného spustenia náradia. Neprenášajte náradie, ktoré je pripojené k elektrickej sieti, s prstom na jeho spínači alebo spúšti. Pred pripojením náradia k napájaciemu zdroju sa uistite, či je spínač alebo spúšť v polohe „off“ (vypnuté). Prenášanie náradia s prstom na jeho spínači alebo na spúšti, alebo pripájanie náradia k zásuvke v čase, keď je jeho spínač v polohe „on“ (zapnuté), môže spôsobiť vážne zranenie.
- ✿ Pred zapnutím náradia odstráňte všetky nastavovacie kľúče a nástroje. Nastavovací kľúč alebo iný nástroj, ktorý zostane pripojený k otáčajúcej sa časti elektrického náradia, môže spôsobiť vážne zranenie osôb.
- ✿ Pri práci stojte vždy tak, aby ste mali pevnú oporu a nestratili rovnováhu. Pracujte iba v miestach, ktoré sú vo vašom bezpečnom dosahu. Nikdy nepreceňujte svoje vlastné sily. Ak ste unavení, elektrické náradie nepoužívajte.
- ✿ Vhodne sa obliekajte. Používajte pracovný odev. Nenoste voľný odev alebo šperky. Zaisťte, aby sa vaše vlasy, oblečenie, rukavice alebo iné časti tela nedostali do príliš malej vzdialenosti od otáčajúcich sa alebo zahrievajúcich sa častí elektrického náradia.
- ✿ Pripojte zariadenie na odsávanie prachu. Ak náradie poskytuje možnosť pripojenia zariadenia na zachytávanie alebo odsávanie prachu, zaisťte, aby bolo toto zariadenie správne pripojené a používané. Používanie takého zariadenia môže znížiť nebezpečenstvo súvisiace s prachom.
- ✿ Obrobok pevne uprite. Na zaistenie dielu, ktorý budete rezať, použite tesársku svorku alebo zverák.
- ✿ Nepoužívajte elektrické náradie, ak ste pod vplyvom alkoholu, drog, liekov alebo iných omamných či návykových látok.
- ✿ Toto zariadenie nie je určené na to, aby ho používali osoby s obmedzenými telesnými, zmyslovými alebo duševnými schopnosťami (vrátane detí) alebo osoby s nedostatočnými skúsenosťami a znalosťami, ak nie sú pod dohľadom osoby zodpovedajúcej za ich bezpečnosť alebo ak od tejto osoby nedostali pokyny na správne používanie zariadenia. Deti musia byť pod dozorom, aby bolo zaistené, že sa s týmto zariadením nebudú hrať.

Používanie a údržba elektrického náradia

- ☼ Ak sa vyskytne počas práce akýkoľvek problém a takisto pred každým čistením alebo údržbou, pri každom striedaní pracovných zmien a po dokončení práce, odpojte elektrické náradie vždy od elektrickej siete! S akokoľvek poškodeným elektrickým náradím nikdy nepracujte.
- ☼ Ak náradie začne vydávať nezvyklý hluk alebo z neho začne vychádzať neobvyklý zápach, ihneď s ním prestaňte pracovať.
- ☼ Nepreťažujte elektrické náradie. Elektrické náradie bude pracovať lepšie a bezpečnejšie, ak sa bude používať v otáčkach, pre aké bolo navrhnuté. Používajte správne náradie, ktoré je určené na konkrétnu činnosť. Práca so správnym zvoleným náradím je účinnejšia a bezpečnejšia.
- ☼ Nepoužívajte elektrické náradie, ktoré nie je možné bezpečne zapínať a vypínať pomocou ovládacieho spínača. Používanie náradia v tomto stave je nebezpečné. Chybné spínače sa musia opraviť v autorizovanom servisnom stredisku.
- ☼ Pred začatím nastavenia, výmenou príslušenstva alebo údržbou odpojte toto náradie od zdroja energie. Toto opatrenie zabráni nebezpečenstvu náhodného rozbehnutia.
- ☼ Nepoužívajte elektrické náradie uložte tak, aby bolo mimo dosahu deťí a nepovolaných osôb. Elektrické náradie môže byť v rukách neskúsených používateľov nebezpečné. Na uloženie elektrického náradia vyberajte suché a bezpečné miesta.
- ☼ Elektrické náradie udržiajte v dobrom stave. Pravidelne kontrolujte nastavenie pohyblivých súčastí aj ich pohyblivosť. Kontrolujte, či ochranný kryt alebo iné diely nie sú poškodené a neobmedzujú tak bezpečnú funkciu elektrického náradia. Ak je náradie poškodené, pred ďalším použitím zaistíte jeho riadnu opravu. Mnoho zranení býva spôsobených zanedbanou údržbou elektrického náradia.
- ☼ Udržiajte rezné nástroje ostré a čisté. Riadne udržiavané a naostrené náradie uľahčuje prácu, znižuje nebezpečenstvo zranenia a umožňuje jednoduchšiu kontrolu počas práce. Používanie iného príslušenstva, než ktoré je uvedené v návode na obsluhu, môže spôsobiť poškodenie náradia a zranenie osôb.
- ☼ Elektrické náradie, príslušenstvo, pracovné nástroje atď. používajte v súlade s týmito pokynmi a spôsobom, ktorého opis sa vzťahuje na konkrétny typ elektrického náradia, dané pracovné podmienky a druh práce. Používanie náradia na iné než určené účely, môže mať za následok vznik nebezpečných situácií.

Servis

- ☼ Nevymieňajte súčasti náradia, nevykonávajte vlastnými silami jeho opravy a žiadnym spôsobom nezasahujte do jeho konštrukcie. Vykonávanie opráv náradia zverujte osobám s odbornou kvalifikáciou.
- ☼ Každá oprava alebo úprava produktu vykonaná bez predchádzajúceho súhlasu našej spoločnosti sa považuje za neprípustnú (môže používateľovi spôsobiť zranenie alebo škodu).
- ☼ Vykonávanie opráv náradia vždy zverte autorizovanému servisnému stredisku. Používajte iba originálne alebo odporúčané náhradné diely. Tým bude zaručená bezpečnosť vás samotných aj vášho náradia.

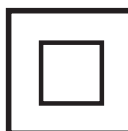
2. SYMBOLY



Tento výrobok spĺňa požiadavky platných noriem a predpisov.



Prečítajte si pozorne tento návod pred použitím tohto náradia.



Dvojitá izolácia.



Používajte ochranu zraku



Používajte ochranu sluchu



Noste masku proti prachu.



Určené na recykláciu



3. POPIS

Vaše multifunkčné náradie bolo navrhnuté na nenáročné brúsenie, rezanie a škrabanie.

1. Spínač zapnuté/vypnuté
2. Regulátor otáčok
3. Montážny bod pre príslušenstvo
4. Rukoväť
5. Rýchloupínacia páčka
6. Kryt uhlíkov
7. Držiak uhlíka

4. ZOSTAVENIE

⚠ Pred zostavením toto náradie vždy vypnite a odpojte zástrčku napájacieho kábla od sieťovej zásuvky.

Na brúsne práce sa musí použiť táto brúsna podložka a brúsny papier.

Odobratie montážneho príslušenstva (obr. B)

- ☼ Uvoľnite rýchloupínaciu páčku (5) a posuňte toto príslušenstvo dopredu, aby sa mohlo odobrať z držiaka.
- ☼ Nasuňte príslušenstvo do držiaka a zaistíte rýchloupínaciu páčku (5).

5. POUŽITIE

Zapnutie a vypnutie (obr. A)

- ☼ Ak chcete toto náradie zapnúť, presuňte spínač „zapnuté/vypnuté“ (1) dopredu.
- ☼ Ak chcete toto náradie vypnúť, presuňte spínač „zapnuté/vypnuté“ (1) dozadu.

Nastavenie otáčok (obr. A)

Koliesko regulátora otáčok sa používa na nastavenie požadovaných otáčok. Tento regulátor otáčok môže byť nastavený do 6 polôh.

Ideálne otáčky závisia od vykonávanej práce a od materiálu, s akým pracujete.

⚠ Nenastavujte otáčky počas práce s týmto náradím.

Otočte koliesko regulátora otáčok (2) do požadovanej polohy.

Rady na optimálne použitie

- ✿ Upnite si obrobok. Pre malé obrobky použite upínacie zariadenie.
- ✿ Nakreslite si na obrobku čiaru, ktorá bude určovať smer, akým sa bude pohybovať pracovné príslušenstvo.
- ✿ Držte toto náradie pevne za rukoväť.
- ✿ Zapnite náradie.
- ✿ Počkajte, kým toto náradie nedosiahne maximálne otáčky.
- ✿ Umiestnite pracovné príslušenstvo na obrobok.
- ✿ Pomaly pohybujte náradím pozdĺž nakreslenej čiary a pevne prítlačajte pracovné príslušenstvo k obrobku.
- ✿ Nevytvárajte na náradie príliš veľký tlak. Nechajte náradie vykonávať požadovanú prácu.
- ✿ Pred odložením náradia po ukončení práce toto náradie vypnite a počkajte, kým nedôjde k jeho úplnému zastaveniu.

6. ČISTENIE A ÚDRŽBA

⚠ Pred čistením a údržbou toto náradie vždy vypnite a odpojte zástrčku napájacieho kábla od sieťovej zásuvky.

- ✿ Pravidelne čistite kryt náradia mäkkou handričkou.
- ✿ Udržujte vetracie otvory v čistote bez prachu a nečistôt. Ak je to nutné, použite na odstránenie prachu a nečistôt z vetracích otvorov mäkkú a vlhkú handričku.

Výmena príslušenstva (obr. B)

⚠ Používajte iba ostré a nepoškodené pracovné príslušenstvo.

- ✿ Ak chcete príslušenstvo odobrať, postupujte podľa opisu v zodpovedajúcej časti.
- ✿ Ak chcete príslušenstvo použiť, postupujte podľa opisu v zodpovedajúcej časti.

Kontrola a výmena uhlíkov (obr. A + C)

Tieto uhlíky sa musia pravidelne kontrolovať. Ak sú uhlíky opotrebované, chod tohto náradia bude nepravidelný.

⚠ Používajte iba správny typ uhlíkov.

- ✿ Odoberte kryt uhlíkov (6).
- ✿ Pomocou skrutkovača vyberte držiaky uhlíkov (7).
- ✿ Očistite uhlíky.
- ✿ Ak sú uhlíky opotrebované, vždy vymeňte oba uhlíky súčasne.
- ✿ Pomocou skrutkovača vložte držiaky uhlíkov (7) späť do náradia.
- ✿ Po montáži nových uhlíkov nechajte toto náradie v chode bez zaťaženia asi 15 minút.

7. TECHNICKÉ ÚDAJE

Sieťové napätie:	220 – 240 V~
Frekvencia:	50 Hz
Príkonnosť:	350 W
Otáčkový rozsah:	0 – 23 000 min ⁻¹

8. LIKVIDÁCIA

POKYNY A INFORMÁCIE O ZAOBCHÁDZANÍ S POUŽITÝM OBALOM

Použitý obalový materiál odložte na miesto určené obcou na ukladanie odpadu.

LIKVIDÁCIA POUŽITÝCH ELEKTRICKÝCH A ELEKTRONICKÝCH ZARIADENÍ



Tento symbol na produktoch alebo v sprievodných dokumentoch znamená, že použité elektrické a elektronické výrobky nesmú byť pridané do bežného komunálneho odpadu. Pre správnu likvidáciu, obnovu a recykláciu odovzdajte tieto výrobky na určené zberné miesta. Alternatívne v niektorých krajinách Európskej únie alebo v iných európskych krajinách môžete vrátiť svoje výrobky miestnemu predajcovi pri kúpe ekvivalentného nového produktu. Správnu likvidáciu tohto produktu pomôžete zachovať cenné prírodné zdroje a napomáhate prevencii potenciálnych negatívnych dopadov na životné prostredie a ľudské zdravie, čo by mohli byť dôsledky nesprávnej likvidácie odpadov. Ďalšie podrobnosti si vyžiadajte od miestneho úradu alebo najbližšieho zberného miesta. Pri nesprávnej likvidácii tohto druhu odpadu môžu byť v súlade s národnými predpismi udelené pokuty.

Pre podnikové subjekty v krajinách Európskej únie

Ak chcete likvidovať elektrické a elektronické zariadenia, vyžiadajte si potrebné informácie od svojho predajcu alebo dodávateľa.

Likvidácia v ostatných krajinách mimo Európskej únie

Tento symbol je platný v Európskej únii. Ak chcete tento výrobok zlikvidovať, vyžiadajte si potrebné informácie o správnom spôsobe likvidácie od miestnych úradov alebo od svojho predajcu.



Tento výrobok spĺňa všetky základné požiadavky smerníc EÚ, ktoré sa naň vzťahujú.

Zmeny v texte, dizajne a technických špecifikáciách sa môžu meniť bez predchádzajúceho upozornenia a vyhradujeme si právo na ich zmenu.

Používateľská príručka v originálnom jazyku.

Multifunkciós szerszám

FELHASZNÁLÓI KÉZIKÖNYV

Köszönjük, hogy megvásárolta ezt a multifunkciós szerszámot. A termék használata előtt figyelmesen olvassa el a használati útmutatót és őrizze meg a későbbiekre.

TARTALOM

1. ÁLTALÁNOS BIZTONSÁGI UTASÍTÁSOK.....	36
2. JELEK	40
3. LEÍRÁS.....	41
4. ÖSSZEÁLLÍTÁS	41
5. HASZNÁLAT.....	41
6. TISZTÍTÁS ÉS KARBANTARTÁS.....	42
7. MŰSZAKI ADATOK	43
8. MEGSEMMISÍTÉS	44

1. ÁLTALÁNOS BIZTONSÁGI UTASÍTÁSOK

FIGYELEM!

Használat előtt figyelmesen olvassa el ezt az útmutatót.

Fontos biztonsági figyelmeztetések

- ✿ Óvatosan csomagolja ki a terméket, és mielőtt kidobná a csomagolóanyagokat, ellenőrizze, hogy a csomagolás tartalmazza a termék összes alkatrészét.
- ✿ A terméket helyezze száraz helyre és gyermekektől távol.
- ✿ Olvassa el az összes figyelmeztetést és utasítást. Az intő figyelmeztetések és utasítások be nem tartása balesetet, tüzei és/vagy súlyos sérülést okozhat.

Csomagolás

A termék csomagolásban van, amely védi a szállítás közbeni sérüléstől. Ez a csomagolás újra felhasználható nyersanyag, ezért ajánlatos újrahasznosítani.

Használati utasítások

Mielőtt elkezdené a munkát a szerszámmal, olvassa el az alábbi biztonsági előírásokat és üzemeltetési utasításokat. Ismerkedjen meg alaposan a szerszám kezelőelemeivel és azok megfelelő használatával. Az utasításokat tegye el biztos helyre későbbi felhasználás céljából. Javasoljuk, hogy az eredeti csomagolást, beleértve a belső csomagolóanyagokat, a nyugtát és a jótállási kártyát, legalább a garancia időtartamára őrizze meg.

Szállítás esetén csomagolja a szerszámot a gyártó által szállított eredeti dobozba, ezáltal garantálja a termék maximális védelmét szállítás során (például szervizbe szállításkor vagy küldéskor).

Megjegyzés:

Ha továbbítja a szerszámot egy másik felhasználónak, mellékelje az utasításokat is. A mellékelt használati utasítás betartása előfeltétele a szerszám helyes használatának. Az üzemeltetési utasításokon kívül a használati utasítások a karbantartási és javítási munkákat is tartalmazzák.

A gyártó nem vállal felelősséget balesetekért vagy károkért, amelyek a kézikönyv utasításainak be nem tartásából erednek.

Kérjük, olvassa el figyelmesen ezeket a biztonsági utasításokat, jegyezze meg, és tartsa őket biztonságos helyen.

⚠ FIGYELEM!

Elektromos meghajtású elektromos gépek és szerszámok használatakor fontos az alábbi biztonsági utasítások betartása és követése az áramütés, bármilyen egyéb személyi sérülés és tűzveszély elleni védelem biztosítása érdekében. Az alábbi utasításokban használt „elektromos szerszám” kifejezés az áramforráshoz csatlakoztatott (tápkábelen keresztül) és az akkumulátoros (tápkábel nélküli) elektromos szerszámra vonatkozik. Mentse el az összes figyelmeztetést és útmutatást a későbbi felhasználás céljából.

Munkakörnyezet

- ☼ A munkaterületet tartsa tisztán és jól megvilágítva. A rendetlen és sötét helyek a munkahelyen általában baleseteket okoznak. Tárolja a nem használt szerszámokat.
- ☼ Ne használjon elektromos kéziszerszámot olyan környezetben, ahol tűz vagy robbanás veszélye áll fenn; ez különösen azokon a helyeken érvényes, ahol gyúlékony folyadékok, gázok vagy por van jelen. A elektromos szerszám kommutátorán szikrák keletkeznek, melyek meggyújthatják a port vagy gázokat.
- ☼ Az elektromos szerszámokkal történő munkavégzés során el kell kerülni az illetéktelen személyek, különösen a gyermekek belépését a munkaterületre! Figyelem elvonás esetén elveszítheti az irányítást az éppen végzett tevékenység felett. Semmi esetre sem hagyja az elektromos szerszámot felügyelet nélkül. Ne engedje, hogy állatok közeledjenek a készülékhez.

Elektromos biztonság

- ☼ Az elektromos szerszám tápkábel-dugójának meg kell felelnie a konnektorhoz. Semmilyen módon ne módosítsa a csatlakozódugót. Soha ne használjon semmiféle adaptert, ha a szerszám tápkábelének dugója biztonsági csapszeggel van ellátva. A sértetlen dugók és a megfelelő konnektorok használata megelőzi az áramütés veszélyét. Ha a tápkábel sérült, ki kell cserélni egy újra. Beszerezhető a hivatalos szervizközponttól vagy az importőrtől.
- ☼ Kerülje a test érintkezését földelt tárgyakkal, például csövekkel, fűtőtestekkel, tűzhelyekkel és hűtőszekrényekkel. Az áramütés veszélye megnő, ha teste érintkezésben van a földdel.
- ☼ Az elektromos szerszámot ne tegye ki esőnek vagy nedves környezetnek. Soha ne érintse meg az elektromos szerszámot nedves kézzel. Soha ne mossa az elektromos szerszámokat a csap alatt, és soha ne merítse vízbe.
- ☼ A tápkábelt ne használja más célra, mint amire eredetileg szánták. Soha ne hordozza vagy húzza az elektromos kéziszerszámot a tápkábelnél fogva. Ne válassa le a szerszámot a tépellátásról a tápkábelnél húzva. Védje a tápkábelt az éles vagy forró tárgyakkal való érintkezés által okozott mechanikai károktól.
- ☼ A hálózati kábellel felszerelt szerszámot kizárólag váltakozó áramú áramforráshoz szabad csatlakoztatni. Mindig ellenőrizze, hogy a hálózati feszültség megegyezik a szerszám sorozatszámával ellátott címkére nyomtatott adatokkal.
- ☼ Soha ne dolgozzon olyan szerszámokkal, melyeknek sérült a tápkábele vagy csatlakozója, amely a földre esett, vagy egyéb módon sérült.
- ☼ Hosszabbító kábel használatakor mindig ellenőrizze, hogy a kábel műszaki adatai megfelelnek a szerszám sorozatszámának címkéjén feltüntetett információknak. Ha a szabadban dolgozik az elektromos szerszámmal, olyan használjon hosszabbítót, amely a szabadban használható. Ha a hosszabbítóhoz dobót használ, a kábelt tekerje le, hogy megakadályozza a túlmelegedését.

- ✿ Ha az elektromos kéziszerszámot nedves környezetben vagy szabadban használja, csak akkor használja, ha ≤ 30 mA RCD-vel ellátott áramkörhöz csatlakozik. Az áramvédővel ellátott áramkör használata csökkentheti az áramütés veszélyét.
- ✿ Munka közben tartsa a kézi elektromos szerszámokat a szerszám szigetelt fogófelületeinél, mert a szerszám vágó- vagy fúróelemei működés közben rejtett huzallal vagy tápkábellel érintkezhetnek.

Személyi biztonság

- ✿ Az elektromos kéziszerszám használatakor legyen óvatos és figyelmes, és mindig teljes mértékben az elvégzendő munkára koncentráljon. Összpontosítson az éppen végzett munkára. Ne használja az elektromos szerszámot, ha fáradt vagy drog, alkohol vagy gyógyszer hatása alatt van. Elektromos kéziszerszám használatakor a pillanatnyi figyelmetlenség is súlyos személyi sérüléseket okozhat. Az elektromos kéziszerszám használata közben tilos enni, inni és dohányozni.
- ✿ Használjon védelmi eszközöket. Mindig használjon látásvédelmet. Használjon védőeszközöket, amelyek megfelelnek a végzett munka jellegének. A munkakörülményekkel összhangban alkalmazott védőeszközök, például légzőkészülékek, csúszásmentes biztonsági cipők, fejtvédő vagy hallásvédő eszközök csökkentik a személyi sérülések kockázatát.
- ✿ Kerülje a szerszám akaratlan elindításának lehetőségét. Ne hordozza a szerszámot az ujjával a kapcsolón vagy a kioldón, ha a hálózathoz van csatlakoztatva. Mielőtt a szerszámot a tápegységhez csatlakoztatná, ellenőrizze, hogy a kapcsoló vagy a kioldó „off” (ki) állásban van. A szerszám hordozása az ujjával a kapcsolón vagy a kioldón, vagy a szerszám csatlakoztatása az aljzathoz, miközben a kapcsoló „on” (be) állásban van, súlyos sérüléseket okozhat.
- ✿ Az elektromos szerszám bekapcsolása előtt távolítsa el minden beállító eszközt és kulcsot. A csavarkulcs vagy más szerszám, amely a szerszám forgó részéhez marad csatlakoztatva, súlyos személyi sérüléseket okozhat.
- ✿ Munka közben mindig álljon szilárdan, hogy ne veszítse el az egyensúlyát. Csak olyan helyen dolgozzon, amely biztonságos elérhetőségen belül van. Soha ne becsülje túl a saját erejét. Ha fáradt, ne használja az elektromos szerszámot.
- ✿ Viseljen megfelelő öltözetet. Használjon munkaruhát. Ne viseljen laza ruhát vagy ékszer. Ügyeljen arra, hogy haja, ruhája, kesztyűje vagy más testrészei ne kerüljenek túl közel az elektromos szerszám forgó vagy melegedő részeihez.
- ✿ Csatlakoztassa a készüléket a porelszívóhoz. Ha az eszköz lehetővé teszi a porgyűjtő vagy elszívó eszköz csatlakoztatását, ellenőrizze, hogy az eszköz megfelelően van csatlakoztatva és használva. Az ilyen berendezés használata csökkentheti a por által okozott veszélyt.
- ✿ Rögzítse erősen a munkadarabot. Használjon ács bilincset vagy satut a darabolandó rész rögzítéséhez.
- ✿ Ne használja az elektromos szerszámot alkohol, drogok, gyógyszerek vagy más kábítószer vagy addiktív anyag befolyása alatt.
- ✿ Ezt a készüléket nem használhatják csökkent fizikai, érzékszervi vagy mentális képességekkel rendelkező személyek (beleértve a gyermekeket), nem szabad tapasztalat és ismeretek hiányában használni, kivéve, felelős személyek felügyelete és utasításai mellett, aki felel a készülék biztonságos használatáért és a személyek biztonságáért. A gyermekeket felügyelni kell annak biztosítása érdekében, hogy ne játszanak a készülékkel.

Az elektromos szerszám használata és karbantartása

- ✿ Mindig válassza le az elektromos szerszámot a hálózatról, ha a munka során bármilyen probléma merül fel, valamint minden tisztítási vagy karbantartási művelet előtt, minden műszakváltáskor és a munka befejezése után! Soha ne dolgozzon olyan elektromos szerszámokkal, amelyek bármilyen módon sérültek.

- ☼ Ha az eszköz szokatlan zajt vagy szokatlan szagot bocsát ki, azonnal hagyja abba a munkát.
- ☼ Ne terhelje túl az elektromos szerszámot. Az elektromos szerszámok jobban és biztonságosabban működnek, ha olyan sebességgel használják őket, amelyre tervezték őket. Az adott tevékenységhez használjon megfelelő szerszámot. A megfelelő szerszámmal történő munka hatékonyabb és biztonságosabb.
- ☼ Ne használjon olyan elektromos szerszámot, melyet a vezérlőkapcsolóval nem lehet biztonságosan be- és kikapcsolni. A szerszám használata ebben az állapotban veszélyes. A hibás kapcsolókat szakszerviznek kell javítania.
- ☼ A beállítások megkezdése, a tartozékok cseréje vagy a karbantartás előtt válassza le a szerszámot az áramforrásról. Ez az intézkedés megakadályozza a véletlen indítás kockázatát.
- ☼ Tartsa a nem használt elektromos kéziszerszámot gyermekektől és illetéktelen személyektől elzárva. Az elektromos szerszám gyakorlatlan személy kezében veszélyes lehet. Az elektromos szerszámok tárolásához válasszon száraz és biztonságos helyet.
- ☼ Tartsa a szerszámokat jó állapotban. Rendszeresen ellenőrizze a mozgó alkatrészek beállításait és mozgathatóságát. Ellenőrizze, hogy a védőburkolat vagy más alkatrészek nem sérültek, és nem akadályozzák a szerszám biztonságos működését. Ha a szerszám megsérült, további használat előtt biztosítsa helyes javítását. Sok sérülés származik az elektromos szerszámok karbantartásának elmulasztásából.
- ☼ Tartsa élesen és tisztán a vágóberendezéseket. A megfelelően karbantartott és élezett szerszámok megkönnyítik a munkát, csökkentik a sérülések kockázatát és lehetővé teszik a munkafolyamat könnyebb irányítását. A kezelési útmutatóban meghatározottaktól eltérő kiegészítők használata a szerszám károsodását és a személyek sérülését okozhatja.
- ☼ Az elektromos szerszámot, a tartozékokat és a szerszámfejeket stb. használja, ezen utasításoknak megfelelően és az adott szerszám típusra, a munkakörülményekre és a munka típusára vonatkozóan leírt módon. A szerszám megadottól eltérő célra történő használata veszélyes helyzeteket okozhat.

Szerviz

- ☼ Ne cserélje ki a szerszám alkatrészeit, ne javítsa meg őket, és semmilyen módon ne próbálja módosítani. A szerszámok javítását bízza szakemberre.
- ☼ A termék bármilyen javítása vagy módosítása, amelyet cégünk előzetes beleegyezése nélkül végeztek, elfogadhatatlannak minősül (a felhasználó sérülését vagy egészsége károsodását okozhatja).
- ☼ A szerszámok javítását mindig bízza hitelesített szervizközponttra. Csak eredeti vagy ajánlott pótalkatrészeket használjon. Ez garantálja a felhasználó és szerszámok biztonságát.

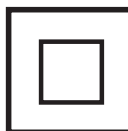
2. JELEK



Ez a termék megfelel minden hatályos szabványnak és előírásnak.



Olvassa el figyelmesen ezt az útmutatót a szerszám használata előtt.



Kettős szigetelés.



Viseljen szemvédőt



Használjon fülvédőt



Viseljen porvédő maszkot.



Újrahasznosítható



3. LEÍRÁS

Ez a multifunkciós szerszám könnyű csiszolásra, vágásra és kaparásra készült.

1. Be-/kikapcsoló
2. Fordulatszám-szabályozó
3. Szerelési pont a tartozékokhoz
4. Fogantyú
5. Gyorsrögzítő kar
6. Szénkefefedél
7. Szénkefetartó

4. ÖSSZEÁLLÍTÁS

⚠ A szerszámot összeszerelés előtt mindig kapcsolja ki, és húzza ki a tápkábel csatlakozóját a konnektorból.

A csiszolási munkákhoz ezt a csiszolóalátétet és dörzspapírt kell használni.

A szerelési tartozék levétele (B. ábra)

- ☼ Oldja ki a gyorsrögzítő kart (5), és csúsztassa a tartozékat előre, hogy le lehessen venni a tartóról.
- ☼ Csúsztassa a tartozékat a tartóba és rögzítse a gyorsrögzítő kart (5).

5. HASZNÁLAT

Bekapcsolás és kikapcsolás (A. ábra)

- ☼ A szerszám bekapcsolásához nyomja a be-/kikapcsolót (1) előre.
- ☼ A szerszám kikapcsolásához nyomja a be-/kikapcsolót (1) hátra.

A fordulatszám beállítása (A. ábra)

A fordulatszám-szabályozó kerékkel lehet beállítani a kívánt fordulatszámot. A fordulatszám-szabályozónak 6 állása van.

Az ideális fordulatszám a végzett munkától és a munkadarab anyagától függ.

⚠ Ne állítsa a fordulatszámot, miközben dolgozik a szerszámmal.

Fordítsa a fordulatszám-szabályozó kereket (2) a kívánt állásba.

Tanácsok az optimális használathoz

- ✿ Rögzítse a munkadarabot. A kisebb munkadarabokhoz használjon rögzítőeszközt.
- ✿ A munkadarabra rajzoljon egy vonalat, ami meghatározza azt az irányt, amerre a tartozék mozogni fog.
- ✿ Tartsa a szerszámot stabilan a fogantyújánál fogva.
- ✿ Kapcsolja be a szerszámot.
- ✿ Várjon, míg a szerszám eléri a maximális fordulatszámot.
- ✿ Helyezze a tartozékot a munkadarabra.
- ✿ Lassan mozgassa a szerszámot a vonal mentén, és erősen nyomja a tartozékot a munkadarabhoz.
- ✿ Ne fejtse ki túl erős nyomást a szerszámra. Hagyja a szerszámot, hogy elvégezze a kívánt munkát.
- ✿ Mielőtt a munka végétével szerszámot elveszi, mindig kapcsolja ki, és várja meg, amíg teljesen leáll.

6. TISZTÍTÁS ÉS KARBANTARTÁS

⚠ Tisztítás és karbantartás előtt a szerszámot kapcsolja ki, és húzza ki az elektromos hálózathoz.

- ✿ Rendszeresen tisztítsa meg a szerszám külsejét egy puha ronggyal.
- ✿ A szellőzőnyílásokat tartsa tisztán, por- és szennyeződésmentesen. Ha szükséges, használjon puha, nedves rongyot a por és a szennyeződések eltakarításához a szellőzőnyílásokból.

A tartozék cseréje (B. ábra)

⚠ Csak éles és sérülésmentes tartozékot használjon.

- ✿ Ha a tartozékot le akarja venni, kövesse a megfelelő részben leírtakat.
- ✿ Ha a tartozékot használni akarja, kövesse a megfelelő részben leírtakat.

A szénkefék ellenőrzése és cseréje (A. + C. ábra)

Ezeket a szénkeféket rendszeresen ellenőrizni kell. Ha a szénkefék elkoptak, a szerszám működése rendszertelen lesz.

⚠ Csak megfelelő típusú szénkefét használjon.

- ✿ Vegye le a szénkefefedelet (6).
- ✿ Egy csavarhúzó segítségével vegye ki a szénkefetartókat (7).
- ✿ Tisztítsa meg a szénkeféket.
- ✿ Ha a szénkefék elhasználódtak, mindkettőt egyszerre cserélje ki.
- ✿ Egy csavarhúzó segítségével tegye vissza a szénkefetartót (7) a szerszámba.
- ✿ Új szénkefék beszerelése után hagyja a szerszámot kb. 15 percig terhelés nélkül menni.

7. MŰSZAKI ADATOK

Hálózati feszültség:	220-240 V~
Frekvencia:	50 Hz
Teljesítmény:	350 W
Üresjárat fordulatszám:	0–23 000 min ⁻¹

8. MEGSEMMISÍTÉS

UTASÍTÁSOK ÉS TÁJÉKOZTATÓ A HASZNÁLT CSOMAGOLÓANYAGOKRA VONATKOZÓAN

A használt csomagolóanyagokat az önkormányzat által kijelölt hulladéklerakó helyre helyezze el!

HASZNÁLT ELEKTROMOS ÉS ELEKTRONIKUS BERENDEZÉSEK MEGSEMMISÍTÉSE



Ez a jelzés a terméken vagy a kísérő dokumentációban azt jelzi, hogy az elektromos vagy elektronikus termék nem dobható háztartási hulladék közé. A helyes megsemmisítéshez és újrafelhasználáshoz ezen termékeket kijelölt hulladékgyűjtő helyre adja le. Az EU országaiban vagy más európai országokban a termékek visszaválthatók az eladóhelyen azonos új termék vásárlásánál. A termék helyes megsemmisítésével segít megelőzni az élőkönyvetre és emberi egészségre kockázatos lehetséges veszélyek kialakulását amelyek a hulladék helytelen kezelésével adódhatnak. További részletekről érdeklődjön a helyi hatóságnál vagy a legközelebbi gyűjtőhelyen. Az ilyen fajta hulladék helytelen megsemmisítése a helyi előírásokkal összhangban bírsággal sújtható.

Vállalkozások számára a Európai Unióban

Ha meg akarja semmisíteni az elektromos vagy elektronikus berendezést, kérje a szükséges információkat az eladójától vagy beszállítójától.

Megsemmisítés Európai Unió kívüli országban

Ez a jelzés az Európai Unióban érvényes. Ha meg akarja semmisíteni a terméket, kérje a szükséges információkat a helyes megsemmisítésről a helyi hivataloktól vagy az eladójától.



Ez a termék teljesíti minden rá vonatkozó EU irányelv alapvető követelményét.

Változtatások a szövegben, kivitelben és műszaki jellemzőkben előzetes figyelmeztetés nélkül történhetnek és minden módosításra vonatkozó jog fenntartva.

Eredeti nyelvű felhasználói kézikönyv.

Narzędzie wielofunkcyjne

INSTRUKCJA OBSŁUGI

Dziękujemy za zakupienie narzędzia wielofunkcyjnego. Przed przystąpieniem do użytkowania należy uważnie zapoznać się z niniejszą instrukcją i zachować ją do wglądu w przyszłości.

SPIS TREŚCI

1. OGÓLNE WSKAZÓWKI DOTYCZĄCE BEZPIECZEŃSTWA.....	46
2. SYMBOLE.....	50
3. OPIS	51
4. MONTAŻ	51
5. SPOSÓB UŻYCIA.....	51
6. CZYSZCZENIE I KONSERWACJA.....	52
7. DANE TECHNICZNE	53
8. UTYLIZACJA	54

1. OGÓLNE WSKAZÓWKI DOTYCZĄCE BEZPIECZEŃSTWA

UWAGA!

Przed użyciem należy uważnie przeczytać tę instrukcję.

Ważne zalecenia dotyczące bezpieczeństwa

- ✿ Rozpakuj ostrożnie produkt i sprawdź, czy opakowanie zawiera wszystkie elementy produktu, zanim wyrzucisz materiały opakowaniowe.
- ✿ Przechowuj produkt w suchym miejscu niedostępnym dla dzieci.
- ✿ Przeczytaj wszystkie ostrzeżenia i wszystkie zalecenia. Postępowanie niezgodnie z ostrzeżeniami i zaleceniami może spowodować wypadek, pożar i/lub poważne obrażenia.

Opakowanie

Urządzenie zostało umieszczone w opakowaniu chroniącym je przed uszkodzeniem podczas transportu. Opakowanie jest surowcem wtórnym i można je przekazać do recyklingu.

Wskazówki dotyczące użycia

Przed rozpoczęciem pracy z tym narzędziem przeczytaj poniższe przepisy bezpieczeństwa i instrukcję obsługi. Zapoznaj się dokładnie z elementami sterującymi urządzenia i właściwym sposobem ich użycia. Przechowuj instrukcję w bezpiecznym miejscu do użytku w przyszłości. Zaleca się zachowanie co najmniej przez okres gwarancji oryginalnego opakowania wraz z elementami wewnętrznymi, paragonu i karty gwarancyjnej. W razie konieczności przemieszczenia należy zapakować narzędzie do oryginalnego pudełka dostarczonego przez producenta, aby zapewnić maksymalną ochronę produktu podczas transportu (na przykład przewożenie lub wysłanie urządzenia do serwisu).

Uwaga:

Przy przekazaniu narzędzia innemu użytkownikowi, należy dołączyć do niego instrukcję. Stosowanie się do zaleceń użytkownika jest niezbędnym warunkiem prawidłowego użytkowania urządzenia. Instrukcja obsługi oprócz instrukcji użytkownika zawiera także informacje dotyczące wykonywania konserwacji i napraw.

Producent nie ponosi odpowiedzialności za wypadki lub szkody powstałe w wyniku nieprzestrzegania zaleceń zawartych w niniejszej instrukcji.

Uważnie zapoznaj się ze wskazówkami dotyczącymi bezpieczeństwa, zapamiętaj je i przechowuj w bezpiecznym miejscu.

⚠ UWAGA!

Podczas korzystania z maszyn elektrycznych i elektronarzędzi należy przestrzegać poniższych instrukcji bezpieczeństwa i kierować się nimi, w celu zapewnienia ochrony przed porażeniem prądem elektrycznym, innymi obrażeniami ciała i zagrożeniem pożarowym. Termin „elektronarzędzie” używany w poniższych wskazówkach odnosi się zarówno do elektronarzędzi podłączanych do źródła zasilania energią elektryczną (za pomocą przewodu zasilającego), jak i do narzędzi zasilanych z akumulatora (bez przewodu zasilającego). Zachowaj wszystkie ostrzeżenia i instrukcje do wykorzystania w przyszłości.

Środowisko pracy

- ☼ Dbaj o czystość i dobre oświetlenie miejsca pracy. Przyczyną wypadków często są zabalaganione i ciemne miejsca pracy. Nieużywane narzędzie odstaw do przechowywania.
- ☼ Nie używaj elektronarzędzi w środowisku, w którym istnieje ryzyko pożaru lub wybuchu; dotyczy to w szczególności miejsc, w których mogą znajdować się łatwopalne ciecze, gazy lub pyły. Na komutatorze elektronarzędzia powstają iskry, które mogą spowodować zapłon pyłu lub oparów.
- ☼ Podczas pracy z elektronarzędziami należy zabezpieczyć stanowisko pracy przed wejściem osób nieupoważnionych, zwłaszcza dzieci! W przypadku rozproszenia uwagi można stracić kontrolę nad wykonywaną czynnością. Pod żadnym pozorem nie pozostawiaj elektronarzędzia bez nadzoru. Nie dopuść, by do urządzenia zbliżyła się zwierzęta.

Bezpieczeństwo elektryczne

- ☼ Wtyczka zasilania elektronarzędzia musi pasować do gniazdka elektrycznego. Nigdy w żaden sposób nie przerabiaj wtyczki. Jeżeli wtyczka przewodu zasilającego jest wyposażona w sworzeń zabezpieczający, nie wolno używać adaptera jakiegokolwiek rodzaju. Stosowanie nieuszkodzonych wtyczek i odpowiednich gniazdek pozwoli uniknąć ryzyka porażenia prądem. Jeżeli przewód zasilający jest uszkodzony, należy wymienić go na nowy, który można uzyskać w autoryzowanym serwisie lub od importera.
- ☼ Unikaj kontaktu ciała z uziemionymi przedmiotami, takimi jak rury, grzejniki, kuchenki i lodówki. Niebezpieczeństwo porażenia prądem elektrycznym wzrasta, kiedy ciało styka się z uziemieniem.
- ☼ Nie narażaj urządzenia elektrycznego na oddziaływanie deszczu lub wilgoci. Nie dotykaj elektronarzędzi mokrymi rękami. Nigdy nie myj elektronarzędzi pod bieżącą wodą i nie zanurzaj ich w wodzie.
- ☼ Nie używaj przewodu zasilającego do celów innych niż te, do których był pierwotnie przeznaczony. Nie przenoś ani nie pociągaj elektronarzędzi za przewód zasilający. Nie ciągnij za przewód zasilający w celu wyjęcia wtyczki z gniazdka. Chroń przewód zasilający przed uszkodzeniami mechanicznymi spowodowanymi przez kontakt z ostrymi lub gorącymi przedmiotami.
- ☼ Elektronarzędzia, które są wyposażone w przewód zasilający są przeznaczone wyłącznie do podłączenia do źródła prądu zmiennego. Zawsze sprawdzaj, czy napięcie sieciowe odpowiada danym wydrukowanym na tabliczce z numerem seryjnym narzędzia.
- ☼ Nigdy nie pracuj z narzędziami, które mają uszkodzony przewód zasilający lub wtyczkę, ani z narzędziami, które spadły na ziemię lub zostały w jakikolwiek inny sposób uszkodzone.
- ☼ W przypadku korzystania z przedłużacza należy się upewnić, że specyfikacja przewodu odpowiada informacjom wydrukowanym na etykiecie z numerem seryjnym narzędzia. Jeżeli elektronarzędzie jest używane na świeżym powietrzu, należy użyć przedłużacza odpowiedniego do użytku na zewnątrz. W przypadku używania bębna z przedłużaczem kabel powinien być rozwinięty, aby zapobiec jego przegrzaniu.

- ✿ Jeśli elektronarzędzie jest używane w wilgotnych miejscach lub na zewnątrz, można z niego korzystać wyłącznie pod warunkiem, że jest podłączone do obwodu elektrycznego z ochronnikiem ≤ 30 mA. Używanie obwodu z wyłącznikiem zmniejsza niebezpieczeństwo porażenia prądem elektrycznym.
- ✿ Podczas pracy trzymaj elektronarzędzia za przeznaczone do tego izolowane powierzchnie chwytne, ponieważ podczas pracy części tnące lub wierzące elektronarzędzia mogą zetknąć się z ukrytym przewodem lub przewodem zasilającym.

Bezpieczeństwo osób

- ✿ Zachowaj ostrożność i uwagę podczas korzystania z elektronarzędzia i zawsze koncentruj się całkowicie na wykonywanej pracy. Skoncentruj się na wykonywanej pracy. Nie używaj urządzeń elektrycznych, będąc pod wpływem zmęczenia, narkotyków, alkoholu lub leków. Podczas używania elektronarzędzi chwilowa nieuwaga może spowodować poważne obrażenia ciała. Podczas pracy z elektronarzędziami nie jedz, nie pij ani nie pal.
- ✿ Używaj środków ochrony osobistej. Zawsze stosuj ochronę wzroku. Środki ochrony osobistej dopasowane do rodzaju wykonywanej pracy. Środki ochrony osobistej, takie jak respiratory, obuwie ochronne z pówłoką antypoślizgową, ochrona głowy lub ochronniki słuchu stosowane zgodnie z warunkami pracy zmniejszają ryzyko obrażeń ciała.
- ✿ Ogranicz możliwości niezamierzonego uruchomienia narzędzia. Nie przenoś narzędzi podłączonych do sieci elektrycznej, trzymając palec na przełączniku lub spuście. Przed podłączeniem narzędzia do źródła zasilania upewnij się, że wyłącznik lub spust znajduje się w pozycji „off” (wyłączone). Przenoszenie narzędzi z palcem na spuście lub włączniku, lub podłączanie narzędzi do gniazdka, gdy wyłącznik jest w pozycji „on” (włączone), może spowodować poważne obrażenia.
- ✿ Usuń wszystkie klucze nastawcze i narzędzia przed włączeniem urządzenia. Klucz nastawczy lub inne narzędzie, które pozostanie przymocowane do obracającej się części elektronarzędzia, może spowodować poważne obrażenia ciała.
- ✿ Podczas pracy należy stać tak, aby mieć mocne oparcie i aby nie stracić równowagi. Pracuj wyłącznie w miejscach, które są w bezpiecznym zasięgu. Nie przeceniaj własnych sił. Jeśli czujesz zmęczenie, nie używaj elektronarzędzia.
- ✿ Ubierz się stosownie. Noś ubrania robocze. Nie noś luźnej odzieży ani biżuterii. Zadbaj o to, aby włosy, ubrania, rękawice lub inne części ciała nie znajdowały się zbyt blisko obracających się lub nagrzewających się części elektronarzędzia.
- ✿ Podłącz urządzenie do odsysania pyłu. Jeżeli narzędzie zapewnia możliwość podłączenia urządzenia do wychwytywania lub odsysania pyłu, upewnij się, że urządzenie to jest prawidłowo podłączone i używane. Używanie takich urządzeń może obniżyć ryzyko związane z pyłem.
- ✿ Dobrze umocuj obrabiany przedmiot. Użyj zacisku stolarskiego lub imadła do zabezpieczenia obrabianego przedmiotu.
- ✿ Nie używaj elektronarzędzia, będąc pod wpływem alkoholu, narkotyków, leków lub innych środków odurzających lub uzależniających.
- ✿ Urządzenie nie jest przeznaczone do użytku przez osoby o ograniczonych zdolnościach fizycznych, sensorycznych lub umysłowych (w tym dzieci) lub osoby nieposiadające odpowiedniego doświadczenia i wiedzy, chyba że będą one nadzorowane lub zostaną poinstruowane w zakresie obsługi urządzenia przez osobę odpowiedzialną za ich bezpieczeństwo. Dzieci powinny być zawsze pod nadzorem, który zapewni, że nie będą się bawić urządzeniem.

Eksploatacja i konserwacja elektronarzędzia

- ✿ Zawsze odłączaj elektronarzędzie od sieci, jeśli wystąpią jakiegokolwiek problemy podczas pracy oraz przed każdym czyszczeniem lub konserwacją, przy każdej zmianie i po zakończeniu pracy! Nigdy nie pracuj z elektronarzędziami, które są w jakikolwiek sposób uszkodzone.
- ✿ Jeżeli narzędzie zacznie wydawać nietypowy dźwięk lub wydziela nietypowy zapach, natychmiast przerwij pracę.
- ✿ Nie przeciążaj elektronarzędzia. Elektronarzędzia będą pracować lepiej i bezpieczniej, jeśli będą używane na obrotach, do których zostały zaprojektowane. Używaj odpowiednich narzędzi do określonej czynności. Praca z odpowiednio dobranymi narzędziami jest wydajniejsza i bezpieczniejsza.
- ✿ Nie używaj elektronarzędzi, których nie można bezpiecznie włączać i wyłączać za pomocą przełącznika uruchamiania. Używanie narzędzia w takim stanie jest niebezpieczne. Uszkodzone przełączniki muszą zostać naprawione w autoryzowanym centrum serwisowym.
- ✿ Odłącz narzędzie od zasilania przed regulacją, wymianą akcesoriów lub konserwacją. Środek ostrożności tego typu zapobiegnie ryzyku przypadkowego uruchomienia.
- ✿ Nieużywane elektronarzędzia należy przechowywać poza zasięgiem dzieci i osób niepowołanych. Elektronarzędzie w rękach niewykwalifikowanych użytkowników może być niebezpieczne. Do przechowywania elektronarzędzi wybierz suche i bezpieczne miejsce.
- ✿ Utrzymuj elektronarzędzia w dobrym stanie. Regularnie sprawdzaj ustawienia ruchomych części i ich zakres ruchu. Sprawdź osłonę ochronną lub inne części pod kątem uszkodzeń i ograniczania bezpiecznej eksploatacji elektronarzędzi. Jeżeli narzędzie jest uszkodzone, przed kolejnym użyciem zapewnij jego naprawę. Przyczyną wielu obrażeń bywa zaniedbanie konserwacji elektronarzędzia.
- ✿ Dbaj o to, aby elementy tnące były ostre i czyste. Właściwie konserwowane i naostrzone narzędzia ułatwiają pracę, zmniejszają ryzyko obrażeń i pozwalają na łatwiejszą kontrolę pracy. Stosowanie akcesoriów innych niż wymienione w instrukcji obsługi może spowodować uszkodzenie narzędzia lub obrażenia ciała.
- ✿ Używaj elektronarzędzi, akcesoriów, końcówek itp. zgodnie z niniejszą instrukcją oraz w sposób opisany dla określonego typu elektronarzędzia, danych warunków pracy i rodzaju pracy. Używanie narzędzia do celów innych niż te, do których jest przeznaczone, może spowodować powstanie niebezpiecznych sytuacji.

Serwis

- ✿ Nie wymieniaj elementów narzędzi, nie naprawiaj urządzenia we własnym zakresie i nie ingeruj w konstrukcję urządzenia. Zleć naprawę narzędzi wykwalifikowanemu personelowi.
- ✿ Wszelkie naprawy lub modyfikacje produktu dokonane bez uprzedniej zgody naszej firmy są uważane za niedopuszczalne (mogą spowodować obrażenia ciała lub szkody).
- ✿ Zawsze powierzaj naprawy narzędzi autoryzowanemu centrum serwisowemu. Używaj wyłącznie oryginalnych lub zalecanych części zamiennych. Zagwarantuje to bezpieczeństwo Tobie i Twoim narzędziom.

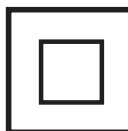
2. SYMBOLE



Produkt spełnia wymagania aktualnych norm i przepisów.



Przeczytaj uważnie niniejszą instrukcję obsługi przed rozpoczęciem korzystania z narzędzia.



Podwójna izolacja.



Używaj środków ochrony wzroku



Używaj środków ochrony słuchu



Noś maskę przeciwpyłową.



Przeznaczone do recyklingu



3. OPIS

Twoje narzędzie wielofunkcyjne zostało zaprojektowane do szlifowania, cięcia i skrobania bez wysiłku.

1. Przełącznik włączone/wyłączone
2. Regulator obrotów
3. Punkt montażowy dla akcesoriów
4. Uchwyt
5. Rękojeść zaciskowa
6. Osłona szczotek węglowych
7. Uchwyt szczotki węglowej

4. MONTAŻ

⚠ Przed montażem tego narzędzia należy je zawsze wyłączyć i odłączyć wtyczkę kabla zasilania od gniazdka sieciowego.

Do prac szlifierskich należy stosować talerz szlifierski i papier ścierny.

Demontaż akcesoriów montażowych (rys. B)

- ☼ Zwolnij dźwignię zaciskową (5) i przesunij wyposażenie do przodu, aby można było je wyjąć z uchwytu.
- ☼ Wsuń akcesorium do uchwytu i zabezpiecz dźwignię zaciskową (5).

5. SPOSÓB UŻYCIA

Włączanie i wyłączanie (rys. A)

- ☼ Aby wyłączyć narzędzie, przesunij przycisk wyłącznika (1) do przodu.
- ☼ Aby wyłączyć narzędzie, przesunij przycisk wyłącznika (1) do tyłu.

Regulacja obrotów (rys. A)

Pokrętko regulatora obrotów służy do ustawiania żądanej prędkości. Ten regulator obrotów może być ustawiony w 6 pozycjach.

Idealna prędkość zależy od wykonywanej pracy i materiału, z którym pracujesz.

⚠ Nie należy regulować obrotów podczas pracy z tym narzędziem.

Ustaw pokrętko regulacji obrotów (2) w żądanej pozycji.

Wskazówki dla optymalnego wykorzystania

- ✿ Zamocuj obrabiany przedmiot. W przypadku małych elementów należy użyć urządzenia mocującego.
- ✿ Narysuj linię na obrabianym przedmiocie, aby wyznaczyć kierunek, w którym będzie się poruszało wyposażenie.
- ✿ Trzymaj narzędzie mocno za uchwyt.
- ✿ Włącz narzędzie.
- ✿ Odczekaj, aż narzędzie osiągnie maksymalne obroty.
- ✿ Umieścić wyposażenie na obrabianym przedmiocie.
- ✿ Powoli przesuwaj narzędzie wzdłuż narysowanej linii i mocno dociskaj wyposażenie do obrabianego przedmiotu.
- ✿ Nie należy wywierać zbyt dużego nacisku na narzędzie. Pozwól, aby narzędzie wykonało wymaganą pracę.
- ✿ Przed odłożeniem narzędzia po zakończeniu pracy należy je wyłączyć i poczekać, aż całkowicie się zatrzyma.

6. CZYSZCZENIE I KONSERWACJA

⚠ Przed czyszczeniem i konserwacją tego narzędzia należy je zawsze wyłączyć i odłączyć wtyczkę kabla zasilania od gniazdka sieciowego.

- ✿ Pokrywą narzędzia należy regularnie czyścić miękką ściereczką.
- ✿ Utrzymuj otwory wentylacyjne w czystości, wolne od kurzu i brudu. Jeśli to konieczne, użyj miękkiej, wilgotnej ściereczki, aby usunąć kurz i brud z otworów wentylacyjnych.

Wymiana wyposażenia (rys. B)

⚠ Używaj tylko ostrych i nieuszkodzonego wyposażenia.

- ✿ Aby zdjąć akcesoria, postępuj zgodnie z procedurą opisaną w odpowiedniej sekcji.
- ✿ Aby użyć akcesoria, postępuj zgodnie z opisem w odpowiedniej sekcji.

Kontrola i wymiana szczotek węglowych (rys. A + C)

Szczotki węglowe muszą być regularnie kontrolowane. Jeśli szczotki węglowe są zużyte, praca tego narzędzia będzie nieregularna.

⚠ Stosuj tylko właściwy rodzaj szczotek węglowych.

- ✿ Zdejmij osłonę szczotek węglowych (6).
- ✿ Za pomocą śrubokręta wyjmij uchwyty szczotek węglowych (7).
- ✿ Oczyszczyć szczotki węglowe.
- ✿ Jeśli szczotki węglowe są zużyte, należy zawsze wymieniać obie szczotki węglowe jednocześnie.
- ✿ Za pomocą śrubokręta włóż uchwyty szczotek węglowych (7) z powrotem do narzędzia.
- ✿ Po zamontowaniu nowych szczotek węglowych należy pozostawić narzędzie pracujące bez obciążenia przez około 15 minut.

7. DANE TECHNICZNE

Napięcie sieciowe:	220-240 V~
Częstotliwość:	50 Hz
Pobór mocy:	350 W
Obroty na biegu jałowym:	0-23 000 min ⁻¹

8. UTYLIZACJA

WSKAZÓWKI I INFORMACJE DOTYCZĄCE GOSPODARKI ŻUŻYTYM OPAKOWANIEM

Zużyty materiał opakowaniowy należy dostarczyć do punktu przeznaczonego do składowania odpadu, wyznaczonego przez urzędy lokalne.

UTYLIZACJA ŻUŻYTYCH URZĄDZEŃ ELEKTRYCZNYCH I ELEKTRONICZNYCH



Ten symbol, umieszczony na produktach lub w ich dokumentacji, oznacza, że zużytych wyrobów elektrycznych i elektronicznych nie wolno likwidować wraz ze zwykłym odpadem komunalnym. W celu zapewnienia należytej likwidacji, utylizacji i recyklingu tych wyrobów należy przekazać je do wyznaczonych składnic odpadów. W niektórych krajach Unii Europejskiej lub innych państwach europejskich można zamiast tego zwrócić tego rodzaju wyroby lokalnemu sprzedawcy przy zakupie ekwiwalentnego nowego produktu. Właściwa likwidacja tych produktów pozwoli zachować cenne źródła surowców naturalnych i pomoże w zapobieganiu negatywnemu wpływowi na środowisko naturalne i zdrowie ludzkie, co może spowodować niewłaściwa likwidacja odpadów. Szczegółowych informacji udzieli Państwu urzędy miejskie lub najbliższe składnice odpadów. W przypadku niewłaściwej utylizacji tego rodzaju odpadu mogą zostać nałożone kary zgodnie z lokalnymi przepisami.

Dotyczy przedsiębiorców z krajów Unii Europejskiej

Jeśli chcą Państwo likwidować urządzenia elektryczne i elektroniczne, prosimy o uzyskanie potrzebnych informacji od sprzedawcy lub dostawcy wyrobu.

Likwidacja wyrobów w krajach spoza Unii Europejskiej

Ten symbol obowiązuje w Unii Europejskiej. Jeśli chcą Państwo zlikwidować ten wyrób, prosimy o uzyskanie potrzebnych informacji dotyczących prawidłowego sposobu likwidacji od lokalnych urzędów lub od sprzedawcy.



Ten wyrób spełnia wszystkie podstawowe wymagania dyrektyw UE, które go dotyczą.

Zastrzegamy sobie możliwość dokonywania zmian tekstu, designu i danych technicznych wyrobu bez uprzedzenia.

Instrukcja obsługi w języku oryginalnym.



FIELDMANN®
Home & Garden Performance

Model /Modell /Modelis:

**Záruční list / Záručný list /
Warranty Certificate / Jótállási jegy /
Garantijos taisyklės / Karta Gwarancyjna**

Výrobní číslo
Výrobné číslo
Serial No.
Szériaszám
Serijos Nr.
Numer seryjny

Razítko a podpis prodejce
Pečiatka a podpis predajcu
Dealer's stamp
A kereskedő bélyegzője
Pardavėjo antspaudas
Pieczęćka i podpis sklepu

Datum prodeje
Dátum predaja
Date of purchase
A vásárlás dátuma
Pardavimo data
Data zakupu

Záruční podmínky

Prodávající poskytuje kupujícímu na výrobek záruku v trvání 24 měsíců od převzetí výrobku kupujícím. Záruka se poskytuje za dále uvedených podmínek. Záruka se vztahuje pouze na nové spotřební zboží prodané spotřebiteli pro běžné domácí použití. Práva z odpovědnosti za vady (reklamací) může kupující uplatnit buď u prodávajícího, u kterého byl výrobek zakoupen nebo v níže uvedeném autorizovaném servisu. Kupující je povinen reklamaci uplatnit bez zbytečného odkladu, aby nedocházelo ke zhoršení vady, nejpozději však do konce záruční doby. Kupující je povinen poskytnout při reklamaci součinnost nutnou pro ověření existence reklamované vady. Do reklamačního řízení se přijímá pouze kompletní a z důvodů dodržení hygienických předpisů neznečištěný výrobek. V případě oprávněné reklamace se záruční doba prodlužuje o dobu od okamžiku uplatnění reklamace do okamžiku převzetí opraveného výrobku kupujícím nebo okamžiku, kdy je kupující po skončení opravy povinen výrobek převzít. Kupující je povinen prokázat svá práva reklamovatelem (doklad o zakoupení výrobku, záruční list, doklad o uvedení výrobku do provozu...).

Záruka se nevztahuje zejména na:

- vady, na které byla poskytnuta sleva
- opotřebení a poškození vzniklé běžným užíváním výrobku
- poškození výrobku v důsledku neodborné či nesprávné instalace, použití výrobku v rozporu s návodem k použití, platnými právními předpisy a obecně známými a obvyklými způsoby používání, v důsledku použití výrobku k jinému účelu, než ke kterému je určen
- poškození výrobku v důsledku zanedbané nebo nesprávné údržby
- poškození výrobku způsobené jeho znečištěním, nehodou a zásahem vyšší moci (živelná událost, požár, vniknutí vody...)
- vady funkčnosti výrobku způsobené nevhodnou kvalitou signálu, rušivým elektromagnetickým polem apod.
- mechanické poškození výrobku (např. ulomení knoflíku, pád...)
- poškození způsobené použitím nevhodných médií, náplní, spotřebního materiálu (baterie) nebo nevhodnými provozními podmínkami (např. vysoké okolní teploty, vysoká vlhkost prostředí, otřesy...)
- poškození, úpravu nebo jiný zásah do výrobku provedený neoprávněnou nebo neautorizovanou osobou (servisem)
- případy, kdy kupující při reklamaci neprokáže oprávněnost svých práv (kdy a kde reklamovaný výrobek zakoupil)
- případy, kdy se údaje v předložených dokladech liší od údajů uvedených na výrobku
- případy, kdy reklamovaný výrobek nelze ztotožnit s výrobkem uvedeným v dokladech, kterými kupující prokazuje svá práva reklamovatelem (např. poškození výrobního čísla nebo záruční plombu přístroje, prepisované údaje v dokladech...)

Záručné podmienky

Predávajúci poskytuje kupujúcemu na výrobok 24 mesiacov záruku od jeho prevzatia kupujúcim. Záruka sa poskytuje ďalej za nižšie uvedených podmienok. Záruka sa vzťahuje iba na spotrebný tovar predaný spotrebiteľovi na bežné domáce použitie. Práva zo zodpovednosti za chyby (reklamácie) môže kupujúci uplatniť buď u predávajúceho, u ktorého bol výrobok zakúpený alebo v nižšie uvedenom autorizovanom servise. Kupujúci je povinný reklamáciu uplatniť bez zbytočného odkladu, aby nedochádzalo ku zhoršeniu chyby, najneskôr však do konca záručnej doby. Kupujúci je povinný pri reklamacii spolupracovať pri overení existencie reklamovanej chyby. Do reklamačného procesu sa prijíma iba kompletný a z dôvodu dodržania hygienických predpisov neznečistený výrobok. V prípade oprávnenej reklamácie sa záručná doba predlžuje o dobu od okamžiku uplatnenia reklamácie do okamžiku prevzatia opraveného výrobku kupujúcim, kedy je kupujúci po skončení opravy povinný výrobok prevziať. Kupujúci je povinný preukázať svoje práva reklamovateľom (doklad o zakúpení výrobku, záručný list, doklad o uvedení výrobku do prevádzky...).

Záruka sa nevztahuje na:

- chyby, na ktoré boli poskytnuté zľavy
- opotrebenia a poškodenia vzniknuté bežným užívaním výrobku
- poškodenie výrobku v dôsledku neodborné či nesprávne inštalácie, použitie výrobku v rozpore s návodom na použitie s platnými právnymi predpismi a všeobecne známymi a obvyklými spôsobmi používania, v dôsledku použitia výrobku za iným účelom, než na ktorý je určený
- poškodenie výrobku v dôsledku zanedbanej alebo nesprávnej údržby
- poškodenie výrobku spôsobené jeho znečistením, nehodou a zásahom vyššej moci (živelná udalosť, požiar, vniknutie vody...)
- chyby funkčnosti výrobku spôsobené nevhodnou kvalitou signálu, rušivým elektromagnetickým polom a pod.
- mechanické poškodenie výrobku (napr. zlomenie gombíka, pád...)
- poškodenie spôsobené použitím nevhodných médií, náplní, spotrebného materiálu (batérie) alebo nevhodnými prevádzkovými podmienkami (napr. vysoké teploty v okolí, vysoká vlhkosť prostredia, otrasy...)
- poškodenie, úpravu alebo iný zásah do výrobku spôsobený neoprávněnou alebo neautorizovanou osobou (servisom)
- prípady, keď kupujúci pri reklamacii nepreukáže oprávněnost svojich práv (kedy a kde reklamovaný výrobok zakúpil)
- prípady, keď sa údaje v predložených dokladoch líšia od údajov uvedených na výrobku
- prípady, keď reklamovaný výrobok sa nestratí s výrobkom uvedeným v dokladoch, ktorými kupujúci preukazuje svoje práva reklamovateľom (napr. poškodenie výrobního čísla alebo záručnej plombu prístroja, prepisované údaje dokladov...)

Conditions of guarantee

This product is warranted for the period of 24 months from the date of purchase to the end-user. Warranty is limited to the following conditions. Warranty is referred only to the customer goods using for common domestic use. The claim for service can be applied either at dealer's shop where the product was bought, or at below mentioned authorized service shops. The end-user is obligated to set up a claim immediately when the defects appeared but only till the end of warranty period. The end-user is obligated to cooperate to certify the claiming defects. Only completed and clean (according to hygienic standards) product will be accepted. In case of eligible warranty claim the warranty period will be prolonged by the period from the date of claim application till the date of taking over the product by end-user, or the date the end-user is obligated to take it over. To obtain the service under this warranty, end-user is obligated to certify his claim with duly completed following documents: receipt, certificate of warranty, certificate of installation...

This warranty is void especially if apply as follows:

- Defects which were put on sale.
- Wear-out or damage caused by common use.
- The product was damaged by unprofessional or wrong installation, used in contrary to the applicable instruction manual, used in contrary to legal enactment and common process of use or used for another purpose which has been designed for.
- The product was damaged by uncareful or insufficient maintenance.
- The product was damaged by dirt, accident of force majeure (natural disaster, fire, flood, ...)
- Defects on functionality caused by low duality of signal, electromagnetic field interference etc.
- The product was mechanically damaged (e.g. broken button, fall...)
- Damage caused by use of unsuitable media, fillings, expendable supplies (batteries) or by unsuitable working conditions (e.g. high temperatures, high humidity, quakes, ...)
- Repair, modification or other failure action to the product by unauthorized person.
- End-user did not prove enough his right to claim (time and place of purchase).
- Data on presented documents differs from data on products.
- Cases when the claiming product can not be identified according to the presented documents (e.g. the serial number or the warranty seal has been damaged).

Autorizovaná servisní střediska / Autorizované servisné strediská / Authorized service centres

FASTČR, a. s.
U Sanitatu 1621 CZ
251 01 Říčany
Česká republika
Tel.: +420/ 323 204 120
Fax: +420/ 323 204 121
servis.praha@fastcr.cz
www.fastcr.cz

FAST ČR, a. s.
Cejl 31
CZ 602 00 Brno
Česká republika
Tel.: +420/ 531 010 295
Fax: +420/ 531 010 296
servis.brno@fastcr.cz
www.fastcr.cz

Fast Plus, a. s.
Na Pántoch 18
SK 831 06 Bratislava
Slovenská republika
Tel.: +421/ 249 105 811
Fax: +421/ 249 105 810
fastplus@fastplus.sk
www.fastplus.sk

Jótállási jegy

■ A termék gyártója: FAST ČR, a.s. (U Sanitasa 1621, Říčany u Prahy 251 01, Csehország)
■ A FAST Hungary Kft. (2310 Szigetszentmiklós, Kántor út 10.) mint a termék magyarországi importőre a jótállási jegyen feltüntetett típusú és gyártási számú készülékre kizárólagos a fogyasztók számára az alábbi feltételek szerint:
■ A FAST Hungary Kft. a termékre a fogyasztó részére történő átadástól (vásárlástól), illetve ha az üzembe helyezését a termék értékesítő vállalkozás vagy annak megbízottja végzi, az üzembe helyezéstől számított 24 hónapig, míg 250.000,- Ft eladási ár felett 36 hónapig tartó időtartamra vállal jótállást. Ha a terméket a fogyasztó az átadástól számított fél éven belül helyzeti hibát jelez, akkor a jótállási határidő a termék átadásától kezdődik. A termék alkotórészeire és tartozékaira (pl. akkumulátor) a jótállási idő a termék átadásától számított 12 hónap.
■ A jótállási igény a jótállási jeggyel, az átadási (ha releváns az üzembe helyezésről) számított (i) 1 évig - 100.000,- Ft eladási ár meg nem haladó termék esetén; (ii) 2 évig - 250.000,- Ft eladási ár meg nem haladó termék esetén; (iii) 3 évig - 250.000,- Ft eladási ár meghaladó termék esetén a terméket értékesítő vállalkozásnál, annak székhelyén, vagy bármely telephelyén, fiókjében, illetve mindhárom esetben a jótállási jegyen feltüntetett hivatalos szerviznél közvetlenül is, míg az előző (i) pont szerinti esetben, azaz 100.000,- Ft eladási ár meg nem haladó termék esetén a 13. hónaptól a 24. hónapig kizárólag a hivatalos szerviznél érvényesíthető. ■ Jótállási jegy hiányában a fogyasztói szerződés megkötését bizonyítottak kell tekinteni, ha a fogyasztó bemutatja a termék ellenértékének megfizetését hitelet érdemi ígéretekkel igazoló bizonylatot. Mindezek érdekében kérjük tisztelt Vásárlóinkat, hogy őrizzék meg a fizetési bizonylatot is. A jótállási időn belüli meghibásodás esetén a fogyasztó - választása szerint - (i) a hibás termék díjmentes kijavítását vagy kicserélését követelheti, kivéve, ha a választott igény teljesítése lehetetlen, vagy ha az a jótállásra kötelezettnek a fogyasztó által érvényesíteni kívánt másik igény teljesítésével összehasonlítva aránytalan többletköltséget eredményezne, vagy (ii) ha a kötelezett a kijavítást, illetve kicserélést nem vállalata, vagy e kötelezettségének megfelelő határidőn belül, a fogyasztó érdekeit kímélve nem tud eleget tenni, vagy ha a fogyasztónak a kijavításához vagy kicseréléséhez fűződő érdeke megszűnt, akkor a fogyasztó megfelelő árleszállást igényelhet, vagy a hibát a kötelezett költségére maga kijavíthatja vagy mással kijavíthatja vagy elállhat a szerződéstől. Jelentéken hiba miatt

elállásnak nincs helye. A fogyasztó a választott jogáról másra térhet át. Az áttéréssel okozott költséget köteles a jótállásra kötelezettnek megfizetni, kivéve, ha az áttérésre a jótállásra kötelezett adott okot, vagy az áttérés egyébként indokolt volt. ■ Ha a jótállási időtartam alatt a termék első alkalommal történő javítása során megállapított nyer, hogy a termék nem javítható, a fogyasztó eltérő rendelkezése hiányában a termék a megállapított követő 8 napon belül kicserélésre kerül. Ha a termék cseréjére nincs lehetőség, a fogyasztó által bemutatott, a termék ellenértékének megfizetését igazoló bizonylaton feltüntetett vételárát nyolc napon belül kell a fogyasztó részére visszatéríteni. ■ Ha a jótállási időtartam alatt a termék három alkalommal történő kijavítást követően ismét meghibásodik, a fogyasztó eltérő rendelkezése hiányában, valamint ha a fogyasztó nem igényli a vételár arányos leszállítását, és nem kívánja a termékét a jótállásra kötelezett költségére kijavítani vagy mással kijavíttatni, a termék 8 napon belül kicserélésre kerül. Ha a termék kicserélésére nincs lehetőség, a fogyasztó által bemutatott, a termék ellenértékének megfizetését igazoló bizonylaton feltüntetett vételárát nyolc napon belül kell a fogyasztó részére visszatéríteni. ■ Ha a termék kijavítására a Kijavítási igény Közlésétől számított 30. napig nem kerül sor, a fogyasztó eltérő rendelkezése hiányában a termékét a 30 napos határidő eredménytelen eltelte követő nyolc napon belül cserélni kell. Ha a termék cseréjére nincs lehetőség, a fogyasztó által bemutatott, a termék ellenértékének megfizetését igazoló bizonylaton feltüntetett vételárát a 30 napos kijavítási határidő eredménytelen eltelte követő nyolc napon belül kell a fogyasztó részére visszatéríteni. ■ A fogyasztó a hiba felfedezését követően késedelem nélkül, legkésőbb a felfedezéstől számított 2 hónapon belül köteles a hibát közölni. A bejelentés kapcsán kérjük vegye figyelembe, hogy a **jótállási igény kizárólag a jótállási határidőben érvényesíthető!** **Mindazonáltal a jótállási határidő meghosszabbodik a javításra átadás napjától kezdve azzal az idővel, amely alatt a fogyasztó a terméket a hiba miatt rendeltetészerűen nem használhatta.** Ha a jótállásra kötelezett jótállási kötelezettségének megfelelő határidőben nem tesz eleget, a jótállási igény a fogyasztó erre irányuló felhívásában tüzött megfelelő határidő eltelteitől számított 3 hónapon belül akkor is érvényesíthető bíróság előtt, ha a jótállási idő már eltelt. E határidő elmulasztása jogvesztéssel jár. A jótállási kötelezettség teljesítésével kapcsolatban felmerülő költségek a jótállás kötelezettjét terhelik.

■ A 151/2003. (IX.22.) Korm.rendeletben meghatározott tartós fogyasztási cikk meghibásodása miatt a vásárlástól (üzembe helyezésétől) számított három munkanapon belül érvényesített csereigény esetén a terméket értékesítő vállalkozás nem hivatkozhat aránytalan többletköltségre, hanem köteles a tartós fogyasztási cikket kicserélni, feltéve, hogy a meghibásodás a rendeltetészerű használatot akadályozza (és a csere nem lehetetlen). ■ Kijavítás esetén a fogyasztási cikkbe csak új alkatrészt kerülhet beépítésre. Javítási- vagy csereigény esetén törekedni kell arra, hogy a kijavítás vagy kicserélés 15 napon belül megtörténjen. Ha a javítás vagy csere időtartama a 15 napot meghaladja, akkor jótállást kell a fogyasztó számára a csere várható időtartamáról. A tájékoztatás a fogyasztó előzetes hozzájárulása esetén elektronikus úton, vagy a fogyasztó általi átvétel igazolására alkalmas más módon történik. A rögzített bekötésű, illetve a 10kg-nál súlyosabb, vagy tömegközlekedési eszközön kézi csomagként nem szállítható fogyasztási cikket – járművek kivételével – az üzemeltetés helyén kell megjavítani. Ha a javítás az üzemeltetés helyén nem végezhető el, a le- és felszerelésről, valamint az el- és visszazállításról a jótállás kötelezettje, vagy – a javítószolgáltatást közvetlenül érvényesített javítási igény esetén – a javítószolgáltatás gondoskodik.

■ Nem tartozik jótállás alá a hiba és a jótállásra kötelezett mentesül a jótállási kötelezettség alól, ha bizonyítja, hogy a hiba oka a termék fogyasztó részére való átadását követően keletkezett, így például ha a hibát ■ nem rendeltetészerű használat, használati útmutató figyelmen kívül hagyása, helytelen szállítás vagy tárolás, leejtés, rongálás, elemi kár, készüléken kívüli ok (pl. hálózati feszültség megengedettnél nagyobb ingadozása) ■ illetéktelen átalakítás, beavatkozás, nem hivatalos szerviz által végzett szakszerűtlen javítás ■ fogyasztó feladatát képező karbantartási munkák elmulasztása ■ normál, természetes elhasználódásra visszavezethető (pl. elem lemerülése) vagy üzemszerű kopásnak tulajdonítható meghibásodás okolta. A jótállás a fogyasztó jogszabályból eredő jogait, így különösen a Polgári Törvénykönyv szerinti kellekészettségére és a termékjavítási jogait nem érinti. ■ Tájékoztatjuk, hogy a fogyasztóvédelmi törvényben meghatározott fogyasztói jogvita bíróságon kívüli rendezése érdekében Ön a megyei (főváros) kereskedelmi és iparkamarák által működőtett békéltető testület eljárását is kezdeményezheti (a békéltető testületek elérhetősége: <https://bekeltes.hu/index.php?id=testuletek>).

Hivatalos szervíz / Autoryzowana sieć serwisowa

revision 01/2021

Fast Hungary Kft.
2310, Szigetszentmiklós
Kántor u. 10
Hungary
Tel.: + 36/ 23 330 830
Fax: + 36/ 23 330 8274
fasthungary@fasthungary.hu
www.fasthungary.hu

A kereskedő tölti ki

Megnevezés:.....

Típus:..... Gyártási szám:

A termék azonosításra alkalmas részeinek meghatározása (ha alkalmazható):.....

Vásárlást igazoló bizonylat száma:.....

A vásárlás (üzembe helyezés) időpontja: 20..... hó.....nap.

Kereskedő bélyegzője:

Kereskedő aláírása:

Kereskedő címe:

Javítás esetén alkalmazandó

A kereskedő vagy szerviznél történő közvetlen bejelentés esetén a szerviz tölti ki

A jótállási igény bejelentésének időpontja:

Javításra átvétel időpontja:.....

Hiba oka:.....

Javítás módja:.....

A termék fogyasztó részére való visszaadásának időpontja:.....

A jótállás – kijavítás időtartamával meghosszabbított – új határideje:.....

Szerviz pecsétje:

Kereskedő pecsétje:.....

Kicserélés esetén alkalmazandó

A jótállási igény kicseréléssel került rendezésre.

A csere időpontja:

Kereskedő bélyegzője:

Tisztelt Fogyasztó!

Köszönjük, hogy termékünket választotta. Cégünk és szervizünk elérhetősége:

FAST Hungary Kft. H-2310 Szigetszentmiklós, Kántor út 10. Tel.: 06-23-330-905; 06-23-330-830;

Fax: 06-23-330-827, E-mail: szerviz@fasthungary.hu

Garantijos taisyklės

Šiam gaminii suteikiama 24 mėnesių nuo įsigijimo datos garantija. Garantija apsiriboja žemiau pateikiamomis sąlygomis. Garantija skirta tik gaminiams, skirtiems buitiniam naudojimui. Dėl garantinio remonto priekšas gali kreiptis į pardavėjo parduotuvę, kurioje gaminį pirkė, arba į nurodytus įgaliotus techninės priežiūros centrus. Galutinis naudotojas įsipareigoja pateikti pretenziją nedelsiant po defekto atsiradimo, tačiau tik iki garantijos galiojimo periodo pabaigos. Galutinis naudotojas įsipareigoja bendradarbiauti patvirtinant gaminio defektus, dėl kurių pateikia pretenziją. Priimtas bus tik pilnai sukomplektuotas ir švarus (pagal higienos standartus) gaminys. Jei pretenzija dėl garantinio remonto bus pagrįsta, gaminio garantijos galiojimo periodas bus prailgintas atitinkamai periodu nuo pretenzijos pateikimo datos iki galutinio naudotojas pasimus sutaisytą gaminį arba iki datos, kada galutinis naudotojas turėtų pasiimti sutaisytą gaminį. Norėdamas gauti garantinio remonto paslaugas, galutinis naudotojas turi patvirtinti pretenziją pilnai užpildytais sekantiems dokumentais: pirkimo kvitu, garantiniu talonu, instaliavimo sertifikatu. . .

Garantija netaikoma: ■ Nukainotoms (brokuotoms) prekėms. ■ Įprastinais susidėvinčioms gaminio dalims ■ Gedimams, atsiradusiems neprofesionaliai ar neteisingai gaminį instaliavus, nesilaikant gaminio naudojimo instrukcijų, naudojant gaminį ne pagal įstatymų numatytus standartus ar įprastinius tokio tipo gaminijų naudojimo procesus, naudojant gaminį kitai paskirčiai nei numatyta. ■ Gedimams, atsiradusiems dėl netinkamos ar nepakankamos gaminio priežiūros. ■ Gedimams, atsiradusiems dėl purvo, nenugalimos jėgos aplinkybių (stichinių nelaimių, gaisro, potvynio, . . .). ■ Gedimams, atsiradusiems dėl prastos kokybės signalo, elektromagnetinio lauko trikdžių ir kt. ■ Rodus mechaninių pažeidimų (pvz. sulaužyti mygtukai, kritimo požymiai. . .). ■ Gedimams, atsiradusiems naudojant gaminį su netinkamomis laikmenomis, jungiant prie netinkamų tinklų, dedant į gaminį netinkamus maitinimo šaltinius (baterijas) ar dėl bet kokių kitų netinkamų naudojimo sąlygų (pvz. aukštos temperatūros, didelės drėgmės, žemės drebėjimų. . .). ■ Nustačius, kad gaminys taisytas, modifikuotas ar ardytas neįgaliotų tai daryti asmenų. ■ Jei galutinis naudotojas neturi visų reikalingų dokumentų, įrodančių jo teisę į garantinį remontą (pvz. dokumento, kur būtų nurodytas gaminio įsigijimo laikas ir vieta). ■ Jei data pateiktuose dokumentuose skiriasi nuo datos ant gaminio.

Warunki gwarancji

Produkt objęty jest 24 – miesięczną gwarancją, począwszy od daty zakupu przez klienta. Gwarancja jest ograniczona tylko do przedstawionych dalej warunków. Gwarancja obejmuje tylko produkty zakupione w Polsce i jest ważna tylko na terytorium Rzeczpospolitej Polskiej. Gwarancja obejmuje tylko produkty funkcjonujące w warunkach gospodarstwa domowego (nie dotyczy produktów oznaczonych jako „Professional”). Zgłoszenia gwarancyjne można dokonać w autoryzowanej sieci serwisowej lub w sklepie, gdzie produkt został nabyty. Użytkownik jest zobowiązany zgłosić usterkę niezwłocznie po jej wykryciu, a najpóźniej w ostatnim dniu obowiązywania okresu gwarancyjnego. Użytkownik jest zobowiązany do przedstawienia i udokumentowania usterki. Tylko kompletne i czyste produkty (zgodnie ze standardami higienicznymi) będą przyjmowane do naprawy. Usterki będą usuwane przez autoryzowany punkt serwisowy w możliwie krótkim terminie, nieprzekraczającym 14 dni roboczych. Okres gwarancji przedłuża się o czas pobytu sprzętu w serwisie. Klient może ubiegać się o wymianę sprzętu na wolny od wad, jeżeli punkt serwisowy stwierdzi na piśmie, że usunięcie wady jest niemożliwe. Aby produkt mógł być przyjęty przez serwis, użytkownik jest zobowiązany dostarczyć oryginały: dowodu zakupu (paragon lub faktura), podbitej i wypełnionej karty gwarancyjnej, certyfikatu instalacji (niektóre produkty).

Gwarancja zostaje unieważniona, jeśli:

■ usterka była widoczna w chwili zakupu, ■ usterka wynika ze zwykłego użytkowania i zużycia, ■ produkt został uszkodzony z powodu złej instalacji, niezastosowania się do instrukcji obsługi lub użytkownika niezgodnego z przeznaczeniem, ■ produkt został uszkodzony z powodu złej konserwacji lub jej braku, ■ produkt został uszkodzony z powodu zanieczyszczenia, wypadku lub okoliczności o charakterze sił wyższych (powódź, pożar, wojny, zamieszki itp.), ■ produkt wykazuje złe działanie z powodu słabego sygnału, zakłóceń elektromagnetycznych itp., ■ produkt został uszkodzony mechanicznie (np. wylamany przycisk, upadek, itp.), ■ produkt został uszkodzony z powodu użycia niewłaściwych materiałów eksploatacyjnych, nośników, akcesoriów, baterii, akumulatorów itp. lub z powodu użytkowania w złych warunkach (temperatura, wilgotność, wstrząsy itp.), ■ produkt był naprawiany lub modyfikowany przez nieautoryzowany personel, ■ użytkownik nie jest w stanie udowodnić zakupu (nieczytelny paragon lub faktura), ■ dane na przedstawionych dokumentach są inne niż na urzędzeniu, ■ produkt nie może być zidentyfikowany ze względu na uszkodzenie numeru seryjnego lub plomby gwarancyjnej.

Uab „Senuka Prekybos
Centras“ Garantinis Servisas
Jonavos G. 62, Lt-44192,
Kaunas, Lithuania
Tel.: +370 37 212 146
Tex.: +370 37 212 165
garrem@senukai.lt
www.senukai.lt

Fast Poland, Sp. z o.o.
Sokołowska 10
PL 05-090 Puchały
Poland
Tel.: +48 500 116 777
Fax: +48 22 869 96 13
fastpoland@fastpoland.pl
www.fastpoland.pl



 **FIELDMANN**[®]
Home & Garden Performance