



**20V** Li-Ion  
**FASTPOWER**



FZV 70905-0

---

English.....	1
Česky.....	13
Slovensky.....	27
Magyar.....	41
Polski.....	55

# CORDLESS SCARIFIER

## USER'S MANUAL

**Dear customer, thank you very much for the trust that you have expressed! Before putting this machine into operation, it is imperative to read this user's manual! In it, you will find all the instructions for normal operation and for achieving a long lifetime of the machine. It is imperative to adhere to all safety instructions contained in this user's manual.**

## CONTENTS

1. GENERAL SAFETY REGULATIONS.....	2
2. SYMBOLS .....	2
3. SAFETY INSTRUCTIONS .....	4
4. PURPOSE OF USE .....	5
5. PREPARATION .....	6
6. OPERATION.....	6
7. ASSEMBLING THE MACHINE .....	6
8. REPLACING BLADES .....	8
9. SETTING UP THE SCARIFIER .....	9
10. PUTTING INTO OPERATION (fig. 11).....	9
11. MAINTENANCE.....	10
12. SCARIFICATION / AERATION .....	10
13. TECHNICAL SPECIFICATIONS.....	11
14. DISPOSAL .....	11
15. DECLARATION OF CONFORMITY .....	12

# 1. GENERAL SAFETY REGULATIONS

## Important safety notice


- ✿ Unpack the product carefully and do not throw away any of the packaging until you have found all the parts of the product.
- ✿ Store the product in a dry place out of reach of children.
- ✿ Read all the warnings and instructions. Failure to comply with the warnings and instructions may lead to electric shock, fire and/or serious injuries.

## Packaging

The product's packaging prevents damage during transport. This packaging is a resource and can be recycled.


## User manual

Before starting to work with the machine, please read the following safety regulations and instructions for use. Get familiar with the controls and correct use of the equipment. Keep the user's manual in a safe place for easy future reference. Save the original packaging, including the internal packing material, guarantee card and proof of purchase receipt for at least the time of the guarantee. If you need to transport this power tool, pack it in the original cardboard box for maximum protection during shipping or transport (e.g. when moving or when you need to send this power tool to a service centre for repair).


 **Note:** If you hand over the appliance to somebody else, do so together with this user's manual. Make sure you use the appliance properly by following the instructions in the included User manual. The user's manual also contains operating, maintenance, and repair instructions.


**The manufacturer assumes no responsibility for accidents or damages arising from failure to comply with these instructions.**

# 2. SYMBOLS

 **ATTENTION!** Before putting into operation, carefully read the user's manual and the general safety instructions!

Do not work in the rain or in unfavourable climatic conditions!

 **ATTENTION!** The blade of the scarifier continues to rotate for some time after it is turned off!  
Keep a safe distance!  
Attention, rotating blades!

	<p>Attention! Before putting into operation, carefully read the user's manual and the general safety instructions!</p>
	<p>Do not work in the rain or in unfavourable climatic conditions!</p>
	<p>Attention, the blade of the scarifier continues to rotate for some time after it is turned off!</p>
	<p>Keep a safe distance!</p>
	<p>Attention, rotating blades! Sharp blade/s. Protect yourself against injury and loss of fingers.</p>
	<p>Before setting up the machine or carrying out maintenance on the machine, or if the cordless power cable has become jammed or is damaged, always turn off the motor and pull the plug out of the cordless power socket!</p>
	<p>While working use protective aids.</p>
	<p>Before performing work on the machine, pull the power cord out of the electrical power socket.</p>

## 3. SAFETY INSTRUCTIONS

Thank you for purchasing this garden scarifier. Before you start using it, please carefully read this user's manual and save it for possible future use.

### Checks before every use

- ✿ Check the cordless scarifier before every use.
- ✿ Do not use the cordless scarifier if the safety mechanisms (start lever, safety brake, rear lid or cover) are damaged or worn out.
- ✿ Never use the machine with a blocked or missing safety mechanism.

 **NOTE:** Make sure that all nuts and bolts are pulled tight and that the scarifier is in good operating condition.

- ✿ Before starting work, inspect the area that is to be aerated. Check the work area for any foreign objects (e.g. stones, branches, rope) and remove them if necessary.

### Proper use / Responsibility

 **ATTENTION!** Danger! Danger of injury! The scarifier may cause serious injuries!

- ✿ Do not place hands or feet near the scarification cylinder.
- ✿ You are responsible for the safety of the methods of use described in these instructions.
- ✿ Work only under good visibility.
- ✿ Do not open the rear cover during use.
- ✿ Acquaint yourself with the surroundings of your work area. Check for potential dangers, which may not be audible due to the noise of the machine.
- ✿ Wear solid footwear and long pants to protect your legs.
- ✿ Make sure that your legs are at a sufficient distance from moving parts.
- ✿ Make sure that there are no other people (particularly children) or animals in the work area.
- ✿ Always push the scarifier at walking speed.
- ✿ Operating position: make sure that you have safe foot support during operation.
- ✿ Be especially careful when changing direction on a slope.

 **ATTENTION!** Be extremely careful when walking backwards. You could stumble!

- ✿ Do not use the cordless scarifier in the rain or in damp or wet conditions.
- ✿ Do not work with the scarifier near the edges of swimming pools or garden ponds.
- ✿ Please adhere to all local restrictions related to noise levels.

### Interrupting work

 **ATTENTION!** Never leave the cordless scarifier in the work area without supervision.

- ✿ When you stop working, place the machine in a safe location. Unplug the power plug! If you stop working in order to move to a different work location, always turn the cordless scarifier off while carrying it. Move the wear compensation lever into the transport position.
- ✿ In the event that you hit an obstacle while scarifying, turn off the cordless scarifier and remove the obstacle. Check the cordless scarifier for damage and have it repaired if necessary.

### Electrical safety

- ✿ Keep the extension cord away from the scarification cylinder!
- ✿ Never use the cordless scarifier in the rain.
- ✿ Please adhere to local residential noise restrictions.
- ✿ It is necessary to regularly inspect the power / extension cord for damage and signs of wear and tear.
- ✿ In the event that the power / extension cord is damaged, immediately unplug the power cord.
- ✿ The socket on the extension cord must be water resistant providing protection against spraying water, or the power sockets for the extension cord must be made from rubber or must have a rubber cover.
- ✿ Extension cords must meet the requirements of DIN VDE 0620.
- ✿ Only use approved extension cords with the corresponding conductor cross-sections. Please consult your electrician.
- ✿ It is necessary to use connecting accessories for the extension cord.
- ✿ For portable equipment used outdoors, we recommend the use of a residual current device with a maximum current rating of 30 mA. In Switzerland, the use of a residual current device is compulsory.

## 4. PURPOSE OF USE

### Intended use

- ✿ The FZV 70905-0 Cordless Scarifier is designed for aerating lawns and grass areas in private gardens and yards. It is not intended for use in public facilities, parks, sports fields, on roads, in agriculture or forestry.

**⚠ ATTENTION!** To prevent injury, the cordless scarifier must not be used for trimming shrubs, hedges and bushes. Furthermore, the cordless scarifier must not be used for levelling uneven terrain.

## 5. PREPARATION

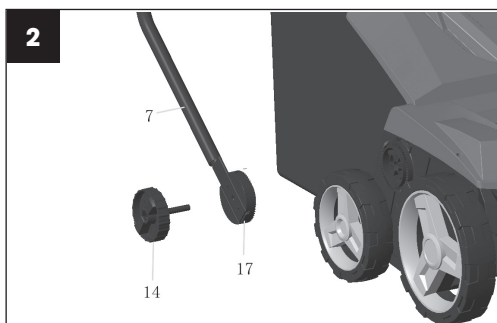
- ✿ When operating the machine, always wear sturdy shoes and long pants. Do not operate the machine in bare feet or in sandals. Avoid wearing clothes that are loose or have loose cords, or a tie.
- ✿ Fully inspect the area where the machine is to be used and remove all objects that may be thrown by it.
- ✿ Before use, always visually inspect the machine to see if that cutting unit, the bolts and the latter assembly are not worn or damaged, Replace worn or damaged components in order to maintain good balance. Replace damaged or illegible labels.

## 6. OPERATION

- ✿ Never allow a child or other person who has not read the operating instructions to use the garden tool. Local regulations may set a minimum age limit for the user.
- ✿ Mow only in daylight or in good artificial light.
- ✿ Do not work with the lawn mower in adverse weather conditions.
- ✿ Only take the device at pace, never run.
- ✿ Never use the lawn mower without the safety equipment.

## 7. ASSEMBLING THE MACHINE

1. Attach the handle's bottom parts (fig.2, point 7) using the screw (point 14). Adjust the required handle height using the XZN spline (point 17).

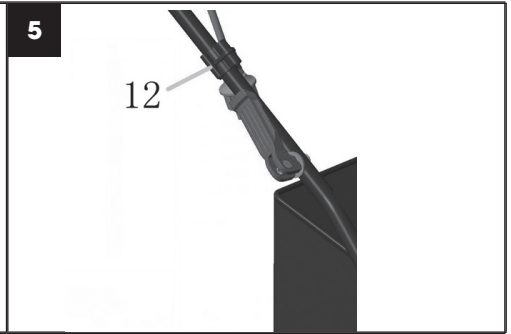
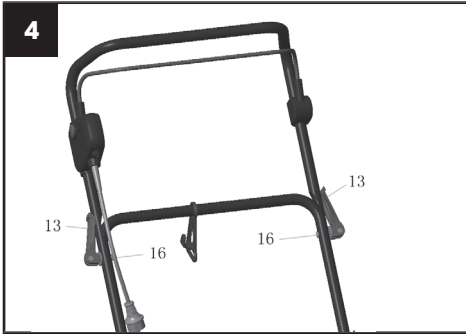


2. Screw on the handle's middle part with the power cord safety clamp attached using the fast coupling lever and the handle screw (fig. 3).

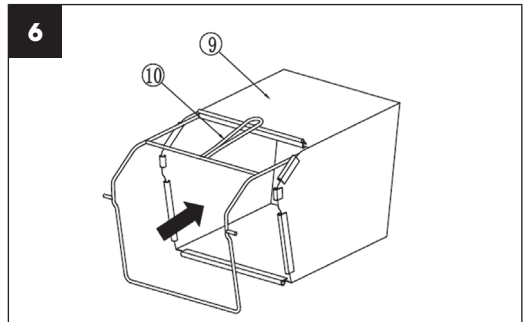




3. Screw on the handle's top part (fig. 4).
4. Attach the power cord to the handle using the plastic clips (fig.5).





5. Place the steel frame (10) into the textile collection basket (9) and attach all fastener to the left, right and rear poles of the frame. Make sure that all fasteners are secured correctly (fig. 6).



6. Installation of the completely assembled collection basket on to the scarifier (fig. 7).
  - A. Lift up the protective cover (11).
  - B. Make sure that the ejection chute is clear and free of debris.
  - C. Place the fully assembled collection basket on to the fastening points in the rear part of the chassis, as shown.
  - D. Place the protective cover (11) on top of the collection basket. Check that the collection basket is seated correctly.




 **NOTE:** For use without the grass catcher, the lawnmower may be used without the collection basket with the protective cover  in the lower position.

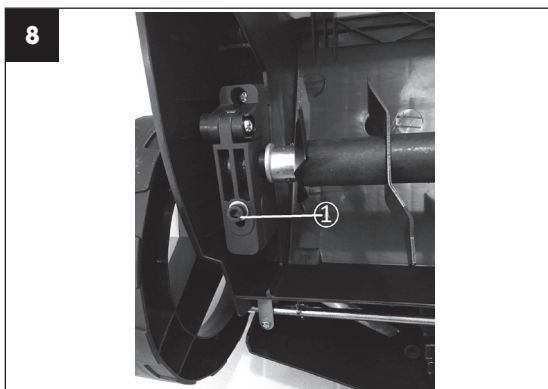
## 8. REPLACING BLADES


### **DANGER!**

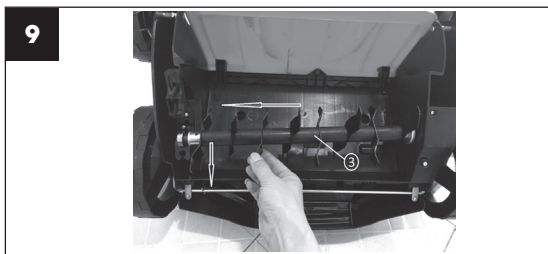
The cylinders may cause injuries!



Prior to replacement, disconnect the machine from the power grid and wait for the cylinder to come to a stop. When replacing, wear work gloves.

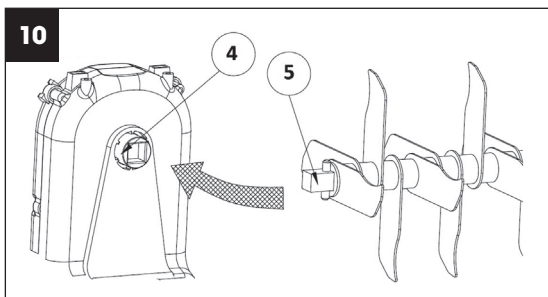
1. Screw out bolt  on the underside of the chassis (fig. 8).




2. Lift the cylinder  at an angle and pull it out (fig. 9).



3. Slide the second cylinder on to the drive shaft so that the pin  fits into the respective part of the drive shaft  (fig. 10).



4. Tighten the screw  to secure again (fig.8)

## 9. SETTING UP THE SCARIFIER

### ⚠ **ATTENTION!**

**The working depth with the scarification** cylinder should be no more than 3 mm. The aeration cylinder with springs should copy the contour of the ground during operation. Setting an excessive working depth may even without visible wear on the blades/springs result in damage to the scarification cylinder or the overloading and destruction of the motor. **The lawn may also be damaged.**

### **Adjustment after wear**

To maintain the recommended working depth, use the working depth adjustment control (fig. 1, point 8).

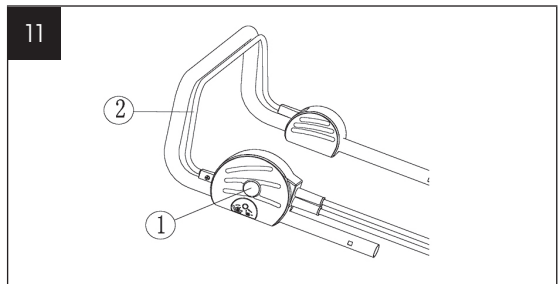
**NOTE:** The blades and springs of the scarifier wear out depending on the manner in which they are used. The more intensively the scarifier is used, the greater the wear on the blades and springs. Hard or very dry ground accelerates the wearing out process as does excessive use. In the event that, as a result of wear on the blades, the results of your work with the scarifier worsen, it is possible to adjust the scarification cylinders so that the working depth is constantly kept at the above-described depth.

## 10. PUTTING INTO OPERATION (FIG. 11)

**Before starting it up again, check that the blade has come to a complete stop. Do not turn on and off in rapid succession.**

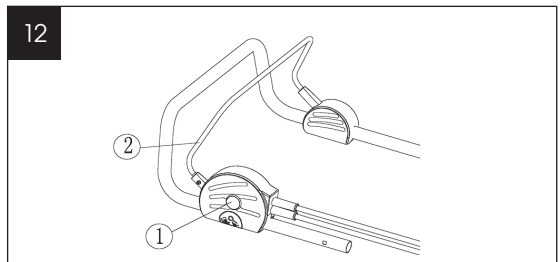
### **Starting**

1. Press and hold the safety button ①. Pull the starting lever ② to the handle.
2. Release the safety button.






### **Turning off**


Release the starting lever ②.







# 11. MAINTENANCE

## Cleaning the scarifier



-  **ATTENTION!** Danger! A rotating blade may cause injuries.
-  **ATTENTION!** Prior to maintenance, disconnect the machine from the power grid and wait for the scarification cylinder to come to a stop.
-  **ATTENTION!** While performing maintenance use work gloves.


 The scarifier should be cleaned after every use.


-  **ATTENTION!** Risk of injury and material damage.
-  **ATTENTION!** Do not clean the scarifier under running water (especially not under high pressure).
-  **ATTENTION!** Do not use hard or pointed items for cleaning the scarifier.

 Remove grass and accumulated debris from the wheels, scarification cylinder and the cover.

# 12. SCARIFICATION / AERATION

-  For comfortable work with the scarifier, it is best to start working at the location closest to the power source and to proceed away from the power source.
-  Scarify / aerate the lawn at a right angle from the power source and place the power cord on the side that has already been treated.

 **ATTENTION!** Do not place too much strain on the motor when working, especially in demanding conditions. When the motor is put under strain, the motor speed will decline and you will hear a change in the noise of the motor. Whenever this happens, stop working, release the starting lever and reduce the scarification / aeration depth. Otherwise the machine could be damaged.

 **NOTE:** The motor is protected by a safety mechanism that is activated at the instant that the blades are caught or the engine is overloaded. Whenever this occurs, turn the machine off and pull the power plug out of the power source. The safety mechanism will reset only when the starting lever is released. Remove all obstacles and wait several minutes before resetting the safety mechanism and resuming work. At this point, do not play with the starting lever as this will extend the safety mechanism reset time. In the event that the machine turns off again, raise the height of scarification / aeration again, which will reduce the load on the motor.

## 13. TECHNICAL SPECIFICATIONS

Charger Voltage .....	100–240 V/50–60 Hz
Rated Voltage .....	36 V (18×2 Li-ion battery)
No-load Speed .....	3000 rpm
Working Width .....	380 mm
Working Depth .....	5 (-12 /-9 /-6 /-3 /+6) mm
Scarifier Blade .....	16 pcs

## 14. DISPOSAL

### INSTRUCTIONS AND INFORMATION REGARDING THE DISPOSAL OF USED PACKAGING MATERIALS

Dispose of used packaging material at a site designated for waste in your municipality.



The power tool and its accessories are manufactured from various materials, e.g. metal and plastic. Take damaged parts to a recycling centre. Inquire at the relevant government department.



This product meets all the basic requirements of EU directives that apply to it.

Changes in the text, design and technical specifications may be made without prior notice and we reserve the right to make these changes.

Translation of the original user's manual.

## 15. DECLARATION OF CONFORMITY

**FAST**<sup>®</sup>

**FAST ČR, a.s.**  
 U Sanitasu 1621, 251 01 Říčany, Czech Republic  
 tel.: +420 323 204 111, fax: +420 323 204 110

**EU DECLARATION OF CONFORMITY**

**Product / brand:** Cordless Lawn Aerator, Scarifier and Sweeper / **FIELDMANN**

**Type / model:** **FZV 70905-0** as factory model WR6601-W-S1-Q  
 DC 40V (2x 20V battery powered), IPX1  
 $L_{pA} = 81,1$  dB(A),  $L_{WA} = 93$  dB(A)

**Manufacturer:** FAST ČR, a.s.  
 U Sanitasu 1621, 251 01 Říčany, Czech Republic  
 VAT no: CZ2477749

**This declaration of conformity is issued under the sole responsibility of the manufacturer.**

**The object of the declaration described above is in conformity with the relevant Union harmonization legislation:**

Directive MD 2006/42/EC  
 Directive EMC 2014/30/EU  
 Directive NEOF 2000/14/EC  
 Directive RoHS 2011/65/EU

**The relevant harmonized standards and the other technical specifications:**

EN 60335-1:2012+A11+A13+A1+A14+A2	EN 62233:2008
EN 50636-2-92:2014	EN ISO 12100:2010
EN IEC 61058-1:2018	EN 61058-1-1:2016
EN 55014-1:2017	EN 55014-2:2015



**Place of issuance:** Prague  
**Date of issuance:** 13. 07. 2022

**Name:** Petr Uher - Responsible Person  
**Signature:**

**FAST**<sup>®</sup> **FAST ČR, a.s.**  
 U Sanitasu 1621, 251 01 Říčany  
 tel.: +420 323 204 111  
 IČO: 247 77 749, DIČ: CZ 247 77 749

IČO: 24777749, DIČ: CZ24777749

Bankovní spojení: Komerční banka Praha 1, č.ú. 89309011/0100, ČSOB Praha 1, č.ú. 8010-0116233383/0300  
 Česká spořitelna Praha 4, č.ú. 2375682/0800

# AKUMULÁTOROVÝ VERTIKUTÁTOR

## NÁVOD K OBSLUZE

**Vážený zákazníku, mnohokrát vám děkujeme za projevenou důvěru!**

**Před uvedením tohoto stroje do provozu se bezpodmínečně přečtěte tento návod k jeho obsluze! Naleznete v něm všechny pokyny, které jsou potřebné pro běžný provoz a jejichž dodržování zajistí dlouhou životnost stroje. Bezpodmínečně dodržujte zejména všechny bezpečnostní pokyny, které jsou v tomto návodu k obsluze obsaženy.**

## OBSAH

1. VŠEOBECNÉ BEZPEČNOSTNÍ PŘEDPISY .....	14
2. SYMBOLY .....	14
3. BEZPEČNOSTNÍ POKYNY .....	16
4. ÚČEL POUŽITÍ.....	17
5. PŘÍPRAVA .....	18
6. PROVOZ.....	18
7. SESTAVENÍ STROJE .....	18
8. VÝMĚNA NOŽŮ .....	20
9. NASTAVENÍ VERTIKUTÁTORU .....	21
10. UVEDENÍ DO PROVOZU (obr. 11).....	22
11. ÚDRŽBA.....	22
12. VERTIKUTACE / PROVZDUŠŇOVÁNÍ .....	23
13. TECHNICKÉ ÚDAJE.....	24
14. LIKVIDACE.....	24
15. PROHLÁŠENÍ O SHODĚ.....	25

# 1. VŠEOBECNÉ BEZPEČNOSTNÍ PŘEDPISY

## Důležité bezpečnostní upozornění


- ✿ Výrobek opatrně vybalte a nelikvidujte žádnou část obalu, dokud nenajdete všechny součásti výrobku.
- ✿ Výrobek uchovávejte na suchém místě mimo dosah dětí.
- ✿ Přečtěte si všechna upozornění a všechny pokyny. Nedodržování těchto varovných upozornění a pokynů může mít za následek zasažení elektrickým proudem, požár a/nebo vážná zranění.

## Balení

Tento produkt je dodáván v obalu zabraňujícím jeho poškození během přepravy. Tento obal představuje druhotnou surovinu, kterou je možno recyklovat.

## Uživatelská příručka

Před zahájením práce s tímto zařízením si prosím přečtěte následující bezpečnostní předpisy a pokyny pro používání. Důkladně se seznamte s ovládacími prvky a správným používáním tohoto zařízení. Uložte tuto uživatelskou příručku na bezpečné místo pro snadné pozdější použití. Alespoň po dobu platnosti záruky uschovejte originální obal včetně vnitřního obalového materiálu, záručního listu a dokladu o zakoupení. Pokud potřebujete toto elektrické nářadí přepravit na jiné místo, zabalte jej do originální lepenkové krabice, aby byla zajištěna jeho maximální ochrana během manipulace a přepravy (například při stěhování nebo při odesílání tohoto elektrického nářadí do servisního střediska za účelem opravy).


 **Poznámka:** Budete-li zařízení předávat jiné osobě, přiložte k němu tuto uživatelskou příručku. Zajistěte, aby bylo vaše zařízení používáno správně, podle pokynů v dodávané uživatelské příručce. Kromě návodu k obsluze obsahuje uživatelská příručka také pokyny k provádění údržby a opravy.

**Výrobce nepřebírá zodpovědnost za nehody nebo škody způsobené nedodržením těchto pokynů.**

## 2. SYMBOLY

 **POZOR!** Před uvedením stroje do provozu si pečlivě přečtěte návod k obsluze a všeobecné bezpečnostní pokyny!

Nepracujte za deště nebo při nepříznivých povětrnostních podmínkách!

 **POZOR!** Vertikutační nůž se po vypnutí stroje ještě určitou dobu otáčí!  
Udržujte bezpečnou vzdálenost!  
Pozor, otáčející se nože!




	<p>Pozor! Před uvedením stroje do provozu si pečlivě přečtěte návod k obsluze a všeobecné bezpečnostní pokyny!</p>
	<p>Nepracujte za deště nebo při nepříznivých povětrnostních podmínkách!</p>
	<p>Pozor, vertikutační nůž se po vypnutí stroje ještě určitou dobu otáčí!</p>
	<p>Udržujte bezpečnou vzdálenost!</p>
	<p>Pozor, otáčející se nože! Ostrý nůž / ostré nože. Chraňte se před poraněním a ztrátou prstů končetin.</p>
	<p>Před zahájením nastavování stroje nebo provádění jeho údržby nebo pokud se elektrické přírodní vedení zachytilo nebo je poškozené, vždy vypněte vždy motor a vytáhněte vidlici napájecího kabelu ze zásuvky elektrické sítě!</p>
	<p>Při práci používejte ochranné pomůcky.</p>
	<p>Před zahájením provádění prací na stroji vytáhněte vidlici napájecího kabelu ze zásuvky elektrické sítě.</p>

## 3. BEZPEČNOSTNÍ POKYNY

Děkujeme vám za zakoupení tohoto zahradního vertikutátoru. Před jejím použitím si prosím pozorně přečtěte tuto uživatelskou příručku a uschovejte ji pro případné pozdější použití.

### Kontroly prováděné před každým použitím

- ✿ Akumulátorový vertikutátor kontrolujte před každým použitím.
- ✿ Akumulátorový vertikutátor nepoužívejte, má-li poškozené nebo opotřebované bezpečnostní mechanismy (spouštěcí páku, bezpečnostní brzdu, zadní víko nebo kryt).
- ✿ Nikdy nepoužívejte stroj se zablokovaným nebo chybějícím bezpečnostním mechanismem.

 **POZNÁMKA:** Ujistěte se, že všechny matice a šrouby jsou pevně utažené a že vertikutátor je v dobrém provozním stavu.

- ✿ Před zahájením práce proveďte obhlídku oblasti, která má být provzdušňována. Tuto pracovní oblast zkontrolujte se zaměřením na cizí předměty (např. kameny, větve, provazy) a tyto předměty případně odstraňte.

### Správný / zodpovědný způsob použití

 **POZOR!** Nebezpečí! Nebezpečí zranění! Vertikutátor může způsobit vážná zranění!

- ✿ Neumisťujte ruce nebo nohy do blízkosti vertikutačního válce.
- ✿ Neseťte zodpovědnost za používání stroje bezpečným způsobem, který je popsán v tomto návodu.
- ✿ Pracujte pouze při dobré viditelnosti.
- ✿ Během používání neotevírejte zadní kryt.
- ✿ Obeznamte se s okolím své pracovní oblasti. Zkontrolujte případná nebezpečí, která nemusí být slyšitelná kvůli hluku vydávanému strojem.
- ✿ Při práci si chraňte nohy pevnou obuví a dlouhými kalhotami.
- ✿ Dbejte na to, aby vaše nohy byly v dostatečné vzdálenosti od pohybujících se součástí.
- ✿ Ujistěte se, že se v blízkosti pracovního oblasti nezdržují žádné osoby (zejména děti) nebo zvířata.
- ✿ Vertikutátor tlačte vždy rychlostí, která odpovídá rychlosti chůze.
- ✿ Pracovní poloha: dbejte na to, abyste při práci měli trvale bezpečnou oporu nohou.
- ✿ Obzvláště opatrní buďte při změnách směru ve svahu.

 **POZOR!** Při chůzi pozpátku buďte mimořádně opatrní. Můžete zakopnout!

- ✿ Akumulátorový vertikutátor nepoužívejte za deště nebo za vlhkých či mokrých podmínek.
- ✿ S vertikutátorem nepracujte v blízkosti okrajů bazénů nebo zahradních jezírek.
- ✿ Dodržujte veškerá místní omezení týkající se hlučnosti.

### Přerušení práce

 **POZOR!** Akumulátorový vertikutátor nikdy nenechávejte v pracovní oblasti bez dozoru.

- ☼ Při přerušení práce uložte stroj na bezpečné místo. Vytáhněte zástrčku napájecího kabelu ze síťové zásuvky! Přerušíte-li práci, abyste se mohli přemístit do jiné pracovní oblasti, vždy akumulátorový vertikutátor během přenášení vypněte. Přesuňte páku pro vyrovnávání opotřebením do přepravní polohy.
- ☼ V případě, že během vertikutace narazíte na překážku, vypněte akumulátorový vertikutátor a proveďte odstranění překážky. Zkontrolujte, zda náraz nezpůsobil poškození akumulátorového vertikutátoru, a v případě potřeby nechejte stroj opravit.

### Elektrická bezpečnost

- ☼ Udržujte napájecí kabel v bezpečné vzdálenosti od vertikutačního válce!
- ☼ Nikdy akumulátorový vertikutátor nepoužívejte za deště.
- ☼ Dodržujte místní omezení týkající se hlučnosti v obytných oblastech.
- ☼ Je nutno provádět pravidelnou kontrolu napájecího / prodlužovacího kabelu se zaměřením na jeho poškození a známky opotřebením nebo prodření.
- ☼ V případě zjištění poškození napájecího / prodlužovacího kabelu ihned vytáhněte zástrčku tohoto kabelu z elektrické zásuvky.
- ☼ Zásuvka prodlužovacího kabelu musí být provedena jako odolná proti vodě, aby poskytovala ochranu proti střikající vodě, případně musí být vyrobena z pryže nebo opatřena pryžovým krytem.
- ☼ Prodlužovací kabely musí splňovat požadavky normy DIN VDE 0620.
- ☼ Používejte pouze schválené prodlužovací kabely s odpovídajícími průřezy vodičů. Potřebné informace si vyžádejte u kvalifikovaného elektromontéra.
- ☼ Prodlužovací kabel je nutno používat společně s ochranným příslušenstvím.
- ☼ Při práci s vybavením, které je určeno k venkovnímu provozu, doporučujeme používat proudový chránič s maximálním zbytkovým proudem 30 mA. Ve Švýcarsku je používání proudových chráničů povinné.

## 4. ÚČEL POUŽITÍ

### Účel použití

- ☼ Akumulátorový vertikutátor FZV 70905-0 je určen k provzdušňování trávníků a travnatých ploch v soukromých zahradách a na plochách v okolí obytných budov. Není určen k používání na veřejných prostranstvích, v parcích, na sportovních hřištích, na silnicích, v zemědělství nebo lesnictví.
- ⚠ POZOR!** Aby se zabránilo možnosti zranění, nesmí se akumulátorový vertikutátor používat k prořezávání keřů, živých plotů a křovin. Navíc se akumulátorový vertikutátor nesmí používat k srovnávání nepravidelného terénu.

## 5. PŘÍPRAVA

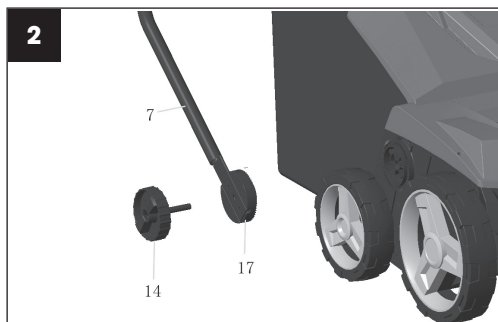
- ✿ Při práci se strojem vždy noste pevnou obuv a dlouhé kalhoty. Stroj nikdy neobsluhujte naboso nebo v sandálech. Vyhněte se nošení součástí oděvu, které nejsou přiléhavé nebo mají volné šňůrky, například kravaty.
- ✿ Pečlivě zkontrolujte oblast, v níž se má stroj používat, a odstraňte všechny předměty, které by jím mohly být odmrštěny.
- ✿ Před použitím vždy proveďte vizuální kontrolu stroje, abyste se ujistili, zda prožezávací jednotka, šrouby a další montážní sestavy nejsou opotřebené nebo poškozené. Zjištěné opotřebené nebo poškozené součásti vyměňte, aby byl zajištěn dobře vyvážený chod stroje. Vyměňte poškozené nebo nečitelné štítky.

## 6. PROVOZ

- ✿ Nikdy nedovolte dětem nebo jiným osobám, které nejsou seznámeny s příslušným návodem k obsluze, aby používaly zahradní nářadí. Místní právní předpisy mohou omezovat věk uživatele.
- ✿ Se strojem pracujte pouze za denního světla nebo za dostatečného umělého osvětlení.
- ✿ S vertikutátorem nepracujte za nepříznivých povětrnostních podmínek.
- ✿ Stroj ved'te vždy pouze rychlostí, která odpovídá tempu běžné chůze, nikdy s ním neběhejte.
- ✿ Nikdy vertikutátor nepoužívejte bez bezpečnostního vybavení.

## 7. SESTAVENÍ STROJE

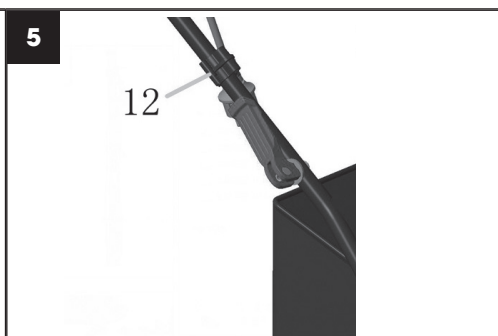
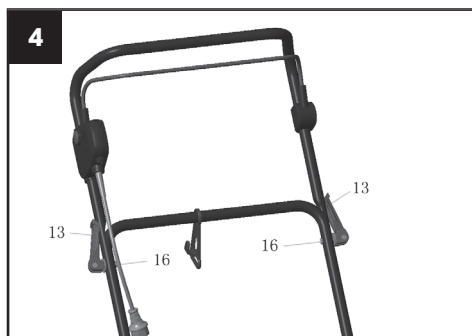
1. Přišroubujte spodní díly madla (obr. 2, bod 7) pomocí šroubu (bod 14). Pomocí matice s vnitřním mnohohranem (bod 17) nastavte požadovanou výšku madla.



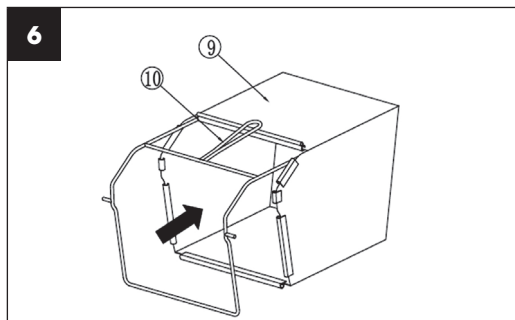
2. Přešroubujte prostřední díl madla s nasazeným zajištěním pro přívodní kabel, pomocí rychloupínací páky a šroubu madla (obr 3).



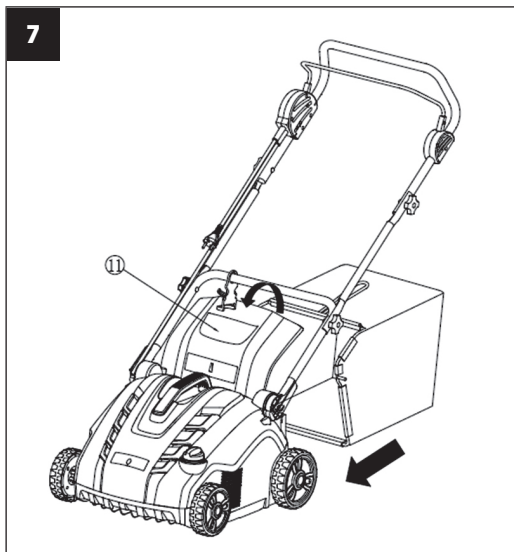
3. Přešroubujte horní díl madla (obr 4).  
4. Pomocí plastových svorek (obr. 5) připevněte k madlu přívodní kabel.



5. Vložte kovový rám (10) do textilního sběrného koše (9) a připevněte všechny příchytky k levé, pravé a zadní tyči rámu. Ujistěte se, že jsou všechny příchytky správně zajištěné (obr. 6).



6. Montáž zcela sestaveného sběrného koše na vertikutátor (obr. 7).
  - A. Zvedněte ochranný kryt ⑪.
  - B. Ujistěte se, že vyhazovací kanál je čistý a neobsahuje zbytky.
  - C. Umístěte zcela sestavený sběrný koš na upevňovací body v zadní části šasi stroje tak, jak je znázorněno na ilustraci.
  - D. Umístěte ochranný kryt ⑪ na horní stranu sběrného koše. Zkontrolujte správné usazení sběrného koše.



**POZNÁMKA:** Pro použití bez sběru posečené trávy může být vertikutátor používán bez sběrného koše s ochranným krytem ⑪ v dolní poloze.

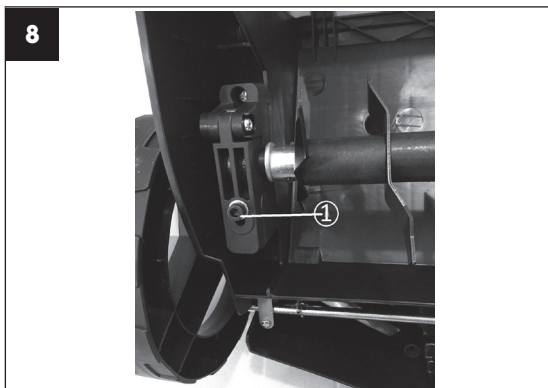
## 8. VÝMĚNA NOŽŮ

### ⚠ NEBEZPEČÍ!

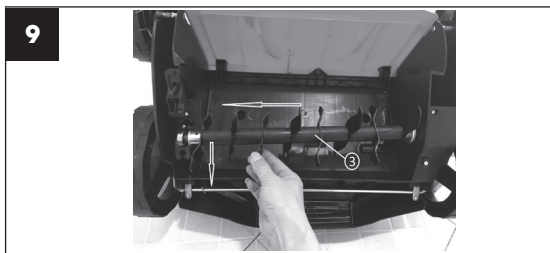
Válce mohou způsobit zranění!

Před výměnou odpojte stroj od elektrické sítě a vyčkejte, dokud se válec nepřestane otáčet. Při provádění výměny použijte pracovní rukavice.

1. Vyšroubujte šroub ① na spodní straně šasi (obr. 8).

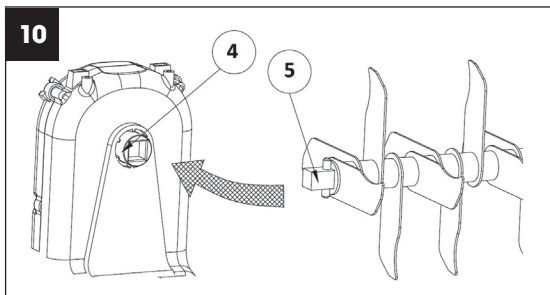


2. Zvedněte válec ③ v šikmém směru a vytáhněte jej (obr. 9).



3. Nasuňte druhý válec na hnací hřídel tak, aby čep ⑤ zapadl do příslušné části hnacího hřídele ④ (obr. 10).

4. Utažením šroubu ① provedte opětovné zajištění (obr. 8)



## 9. NASTAVENÍ VERTIKUTÁTORU

### ⚠ POZOR!

**Pracovní hloubka s vertikutačním** válcem by neměla být větší než 3 mm. Pro vzdušňovací válec s pružinami by měl při práci kopírovat obrys povrchu země. Nastavení nadměrné pracovní hloubky může mít i bez viditelného opotřebení nožů/pružin za následek poškození vertikutačního válce nebo přetížení a zničení motoru. **Může rovněž dojít k poškození trávníku.**

### Seřizování po opotřebení

Pro zachování doporučené pracovní hloubky používejte ovládací prvek určený k seřizování pracovní hloubky (obr. 1, bod 8).

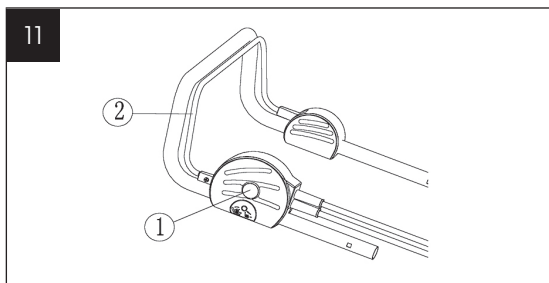
📖 **POZNÁMKA:** Nože a pružiny vertikutátoru podléhají opotřebení v závislosti na způsobu, jakým se používají. Čím intenzivněji je vertikutátor používán, tím větší je opotřebení nožů a pružin. Tvrdá nebo velmi suchá půda urychluje proces opotřebení, stejně jako nadměrné používání. Budou-li se v důsledku opotřebení nožů výsledky vaší práce s vertikutátorem postupně zhoršovat, lze vertikutační válec nastavit tak, aby byla trvale udržována výše uvedená pracovní hloubka.

## 10. UVEDENÍ DO PROVOZU (OBR. 11)

**Před opětovným spuštěním se ujistěte, že se nůž zcela zastavil.  
Neprovádějte zapínání a vypínání v rychlém sledu.**

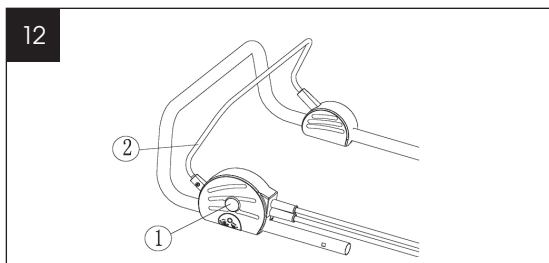
### Spuštění

1. Stiskněte a podržte bezpečnostní tlačítko  
①. Přitáhněte spouštěcí páku ② k madlu.
2. Uvolněte bezpečnostní tlačítko.



### Vypnutí

- Uvolněte spouštěcí páku ②.



## 11. ÚDRŽBA

### Čištění vertikutátoru

- ⚠ **POZOR!** Nebezpečí! Otáčející se nůž může způsobit zranění.
- ⚠ **POZOR!** Před zahájením provádění údržby odpojte stroj od elektrické sítě a vyčkejte, dokud se vertikutační válec zcela nezastaví.
- ⚠ **POZOR!** Při provádění údržby používejte pracovní rukavice.

☼ Vertikutátor je po každém použití třeba očistit.

- ⚠ **POZOR!** Nebezpečí zranění osob a poškození stroje.
- ⚠ **POZOR!** Čištění vertikutátoru neprovádějte pod tekoucí vodou (zejména nikoli pod vysokým tlakem).
- ⚠ **POZOR!** K čištění vertikutátoru nepoužívejte tvrdé nebo zahrocené předměty.

☼ Odstraňujte trávu a nahromaděné zbytky a nečistoty z kol, vertikutačního válce a krytu.



## 12. VERTIKUTACE / PROVZDUŠŇOVÁNÍ

- ☼ Pro pohodlnou práci s vertikutátorem je nevhodnější zahajovat práci v místě, které je nejbližší napájecímu zdroji, a následně postupovat směrem od napájecího zdroje.
- ☼ Vertikutaci / provzdušňování trávníku provádějte v pravém úhlu od napájecího zdroje a přívodní kabel umístějte na té straně, která již byla ošetřena.

**⚠ POZOR!** Při práci se vyhýbejte nadměrnému zatěžování motoru, zejména v náročnějších podmínkách. Je-li motor namáhán, snižují se jeho otáčky a vydává slyšitelný zvýšený hluk. Kdykoli nastane tato situace, zastavte práci, uvolněte spouštěcí páku a nastavte menší hloubku vertikutace / provzdušňování. V opačném by mohlo dojít k poškození stroje.

**📖 POZNÁMKA:** Motor je chráněn bezpečnostním mechanismem, který se okamžitě aktivuje při zjištění zachycení nožů nebo přetížení motoru. Kdykoli nastane tato situace, vypněte stroj a vytáhněte zástrčku přívodního kabelu ze zásuvky napájecího zdroje. Výchozí stav bezpečnostního mechanismu lze obnovit pouze při uvolnění spouštěcí páky. Před obnovením výchozího stavu bezpečnostního mechanismu a pokračováním v práci odstraňte překážky a několik minut vyčkejte. Během této doby nepohybuje spouštěcí pákou, jelikož by to mělo za následek prodloužení doby potřebné k obnovení výchozího stavu bezpečnostního mechanismu. V případě, že se stroj opět vypne, proveďte další zmenšení hloubky vertikutace / provzdušňování, aby se snížilo zatížení motoru.

## 13. TECHNICKÉ ÚDAJE

Napětí nabíječky.....	100–240 V/50–60 Hz
Jmenovité napětí.....	36 V (2 lithium-iontové akumulátory po 18 V)
Otáčky naprázdno.....	3000 ot./min
Pracovní šířka.....	380 mm
Pracovní hloubka.....	5 (-12 /-9 /-6 /-3 /+6) mm
Vertikutační nože.....	16 ks

## 14. LIKVIDACE

### POKYNY A INFORMACE K LIKVIDACI VYŘAZENÝCH OBALOVÝCH MATERIÁLŮ

Vyřazený obalový materiál zlikvidujte v místě určeném pro likvidaci odpadů ve vašem bydlišti.



Toto elektrické zařízení a jeho příslušenství jsou vyrobená z různých materiálů, např. z kovu a plastů. Poškozené díly odneste do recyklačního střediska. Dotazy směřujte na příslušné oddělení místního úřadu.



Tento produkt splňuje všechny základní požadavky všech příslušných směrnic EU.

Text, design a technické údaje se mohou změnit bez předchozího upozornění a vyhrazujeme si právo provádět takové změny.

Příklad originálního návodu k obsluze.

## 15. PROHLÁŠENÍ O SHODĚ

**FAST**<sup>®</sup>

**FAST ČR, a.s.**  
 U Sanitáru 1621, 251 01 Říčany, Czech Republic  
 tel.: +420 323 204 111, fax: +420 323 204 110

**EU PROHLÁŠENÍ O SHODĚ**

**Produkt/ značka:** Akumulátorový provzdušňovač trávniku, vertikutátor a zametač /  
**FIELDMANN**

**Typ/ model:** **FZV 70905-0** jako výrobní model WR6601-W-S1-Q  
 DC 40V (2x 20V baterie), IPX1  
 naměřená hladina akustického výkonu:  $L_{pA} = 81,1$  dB(A)  
 garantovaná hladina akustického výkonu:  $L_{WA} = 93$  dB(A)

**Výrobce:** FAST ČR, a.s.  
 U Sanitáru 1621, 251 01 Říčany, Czech Republic  
 VAT no: CZ24777749

**Toto prohlášení o shodě se vydává na výhradní odpovědnost výrobce.**

**Předmět výše popsaného prohlášení je v souladu s příslušnými harmonizačními právními předpisy Unie:**

Směrnice MD 2006/42/EC                      Směrnice EMC 2014/30/EU  
 Směrnice NEE 2000/14/EC                    Směrnice RoHS 2011/65/EU

**Příslušné harmonizované normy a další technické specifikace:**

EN 60335-1:2012+A11+A13+A1+A14+A2                      EN 62233:2008  
 EN 50636-2-92:2014    EN ISO 12100:2010  
 EN IEC 61058-1:2018    EN 61058-1-1:2016  
 EN 55014-1:2017     EN 55014-2:2015



**Místo vydání:** Praha  
**Datum vydání:** 13. 07. 2022

**Jméno:** Petr Uher – Odpovědná osoba  
**Podpis:**

**FAST**<sup>®</sup> **FAST ČR, a.s.**  
 U Sanitáru 1621, 251 01 Říčany  
 tel.: +420 323 204 111  
 IČO: 247 77 749, DIČ: CZ 247 77 749

IČO:24777749, DIČ:CZ24777749

Bankovní spojení: Komerční banka Praha 1, č.ú. 89309011/0100, ČSOB Praha 1, č.ú. 8010-0116233383/0300  
 Česká spořitelna Praha 4, č.ú. 2375682/0800



# AKUMULÁTOROVÝ VERTIKUTÁTOR

## NÁVOD NA OBSLUHU

**Vážení zákazníci, ďakujeme vám za prejavenu dôveru!**

**Pred uvedením tohto stroja do prevádzky si bezpodmienečne prečítajte tento návod na jeho obsluhu! Nájdete v ňom všetky pokyny, ktoré sú potrebné pre bežnú prevádzku a ktorých dodržiavanie zabezpečí dlhú životnosť stroja. Bezpodmienečne dodržujte najmä všetky bezpečnostné pokyny, ktoré sú obsiahnuté v tomto návode na obsluhu.**

## OBSAH

1. VŠEOBECNÉ BEZPEČNOSTNÉ PREDPISY.....	28
2. SYMBOLY .....	28
3. BEZPEČNOSTNÉ POKYNY .....	30
4. ÚČEL POUŽITIA.....	31
5. PRÍPRAVA .....	32
6. PREVÁDZKA.....	32
7. ZOSTAVENIE STROJA .....	32
8. VÝMENA NOŽOV .....	34
9. NASTAVENIE VERTIKUTÁTORA .....	35
10. UVEDENIE DO PREVÁDZKY (obr. 11).....	36
11. ÚDRŽBA.....	36
12. VERTIKUTÁCIA / PREVZDUŠŇOVANIE .....	37
13. TECHNICKÉ ÚDAJE.....	38
14. LIKVIDÁCIA.....	38
15. VYHLÁSENIE O ZHODE .....	39

# 1. VŠEOBECNÉ BEZPEČNOSTNÉ PREDPISY

## Dôležité bezpečnostné upozornenia


- ✿ Výrobok opatrne vybalte a nelikvidujte žiadnu časť obalu, kým nenájdete všetky súčasti výrobku.
- ✿ Výrobok uchovávajte na suchom mieste mimo dosahu detí.
- ✿ Prečítajte si všetky upozornenia a všetky pokyny. Nedodržovanie týchto varovných upozornení a pokynov môže mať za následok zasiahnutie elektrickým prúdom, požiar a/alebo vážne zranenia.

## Balenie

Tento produkt je dodávaný v obale, ktorý zabraňuje jeho poškodeniu počas prepravy. Tento obal predstavuje druhotnú surovinu, ktorú je možné recyklovať.


## Používateľská príručka

Pred začatím práce s týmto zariadením si prosím prečítajte nasledujúce bezpečnostné predpisy a pokyny na používanie. Dôkladne sa zoznámte s ovládacími prvkami a správnym používaním tohto zariadenia. Uložte túto používateľskú príručku na bezpečné miesto pre jednoduché neskoršie použitie. Aspoň počas platnosti záruky uschovajte originálny obal vrátane vnútorného obalového materiálu, záručného listu a dokladu o kúpe. Ak potrebujete toto elektrické náradie prepraviť na iné miesto, zabaľte ho do originálnej lepenkovej škatule, aby bola zabezpečená jeho maximálna ochrana počas manipulácie a prepravy (napríklad pri sťahovaní alebo pri odosielaní tohto elektrického náradia do servisného strediska na opravu).


 **Poznámka:** Ak budete zariadenie dávať inej osobe, priložte k nemu túto používateľskú príručku. Zaisťte, aby bolo vaše zariadenie používané správne, podľa pokynov v dodávanej používateľskej príručke. Okrem návodu na obsluhu obsahuje používateľská príručka aj pokyny na vykonávanie údržby a opráv.

**Výrobca nepreberá zodpovednosť za nehody alebo škody spôsobené nedodržaním týchto pokynov.**

## 2. SYMBOLY

 **POZOR!** Pred uvedením stroja do prevádzky si starostlivo prečítajte návod na obsluhu a všeobecné bezpečnostné pokyny!

Nepracujte za dažďa alebo pri nepriaznivých poveternostných podmienkach!

 **POZOR!** Vertikutačný nôž sa po vypnutí stroja ešte určitý čas otáča!  
Udržujte bezpečnú vzdialenosť!  
Pozor, otáčajúce sa nože!


	<p>Pozor! Pred uvedením stroja do prevádzky si starostlivo prečítajte návod na obsluhu a všeobecné bezpečnostné pokyny!</p>
	<p>Nepracujte za dažďa alebo pri nepriaznivých poveternostných podmienkach!</p>
	<p>Pozor, vertikutačný nôž sa po vypnutí stroja ešte určitý čas otáča!</p>
	<p>Udržujte bezpečnú vzdialenosť!</p>
	<p>Pozor, otáčajúce sa nože! Ostrý nôž / ostré nože. Chráňte sa pred poranením a stratou prstov končatín.</p>
	<p>Pred začatím nastavovania stroja alebo vykonávania jeho údržby alebo ak sa elektrické prírodné vedenie zachytilo alebo je poškodené, vždy vypnite motor a vytiahnite vidlicu napájacieho kábla zo zásuvky elektrickej siete!</p>
	<p>Pri práci používajte ochranné pomôcky.</p>
	<p>Pred začatím vykonávania prác na stroji vytiahnite vidlicu napájacieho kábla zo zásuvky elektrickej siete.</p>

## 3. BEZPEČNOSTNÉ POKYNY

Ďakujeme vám za zakúpenie tohto záhradného vertikutátora. Pred jej použitím si, prosím, pozorne prečítajte túto používateľskú príručku a uschovajte ju na prípadné neskoršie použitie.

### Kontroly vykonávané pred každým použitím

- ✿ Akumulátorový vertikutátor kontrolujte pred každým použitím.
- ✿ Akumulátorový vertikutátor nepoužívajte, ak má poškodené alebo opotrebované bezpečnostné mechanizmy (spúšťačiu páku, bezpečnostnú brzdu, zadné veko alebo kryt).
- ✿ Nikdy nepoužívajte stroj so zablokovaným alebo chýbajúcim bezpečnostným mechanizmom.

 **POZNÁMKA:** Uistite sa, že všetky matice a skrutky sú pevne pritiažené a že vertikutátor je v dobrom prevádzkovom stave.

- ✿ Pred začatím práce urobte obhliadku oblasti, ktorá má byť prevzdušňovaná. Túto pracovnú oblasť skontrolujte so zameraním na cudzie predmety (napr. kamene, vetve, povrazy) a tieto predmety prípadne odstráňte.

### Správny / zodpovedný spôsob použitia

 **POZOR!** Nebezpečenstvo! Nebezpečenstvo zranenia! Vertikutátor môže spôsobiť vážne zranenia!

- ✿ Neumiestňujte ruky alebo nohy do blízkosti vertikutačného valca.
- ✿ Nesiete zodpovednosť za používanie stroja bezpečným spôsobom, ktorý je popísaný v tomto návode.
- ✿ Pracujte iba pri dobrej viditeľnosti.
- ✿ Počas používania neotvárajte zadný kryt.
- ✿ Oboznámte sa s okolím svojej pracovnej oblasti. Skontrolujte prípadné nebezpečenstvá, ktorá nemusia byť počuteľné kvôli hluku vydávanému strojom.
- ✿ Pri práci si chráňte nohy pevnou obuvou a dlhými nohavicami.
- ✿ Dbajte na to, aby vaše nohy boli v dostatočnej vzdialenosti od pohybujúcich sa súčastí.
- ✿ Uistite sa, že sa v blízkosti pracovnej oblasti nezdržiavajú žiadne osoby (najmä deti) alebo zvieratá.
- ✿ Vertikutátor tlačte vždy rýchlosťou, ktorá zodpovedá rýchlosti chôdze.
- ✿ Pracovná poloha: dbajte na to, aby ste pri práci mali trvalo bezpečnú oporu nôh.
- ✿ Obzvlášť opatrní buďte pri zmenách smeru vo svahu.

 **POZOR!** Pri chôdzi naspäť buďte mimoriadne opatrní. Môžete zakopnúť!

- ✿ Akumulátorový vertikutátor nepoužívajte za dažďa alebo za vlhkých či mokrých podmienok.
- ✿ S vertikutátorom nepracujte v blízkosti okrajov bazénov alebo záhradných jazierok.
- ✿ Dodržujte všetky miestne obmedzenia týkajúce sa hlučnosti.

### Prerušenie práce

 **POZOR!** Akumulátorový vertikutátor nikdy nenechávajte v pracovnej oblasti bez dozoru.



- ☼ Pri prerušení práce uložte stroj na bezpečné miesto. Vytiahnite zástrčku napájacieho kábla zo sieťovej zásuvky! Ak prerušíte prácu, aby ste sa mohli premiestniť do inej pracovnej oblasti, vždy akumulátorový vertikutátor počas prenášania vypnite. Presuňte páku na vyrovnávanie opotrebenia do prepravnej polohy.
- ☼ V prípade, že počas vertikutácie narazíte na prekážku, vypnite akumulátorový vertikutátor a odstráňte prekážku. Skontrolujte, či náraz nespôsobil poškodenie akumulátorového vertikutátora, a v prípade potreby nechajte stroj opraviť.

### Elektrická bezpečnosť

- ☼ Udržujte napájací kábel v bezpečnej vzdialenosti od vertikutačného valca!
- ☼ Nikdy akumulátorový vertikutátor nepoužívajte za dažďa.
- ☼ Dodržiavajte miestne obmedzenia týkajúce sa hlučnosti v obytných oblastiach.
- ☼ Je nutné vykonávať pravidelnú kontrolu napájacieho / predlžovacieho kábla so zameraním na jeho poškodenie a známky opotrebenia alebo predretia.
- ☼ V prípade zistenia poškodenia napájacieho / predlžovacieho kábla ihneď vytiahnite zástrčku tohto kábla z elektrickej zásuvky.
- ☼ Zásuvka predlžovacieho kábla musí byť vyhotovená ako odolná proti vode, aby poskytovala ochranu proti striekajúcej vode, prípadne musí byť vyrobená z gumy alebo vybavená gumovým krytom.
- ☼ Predlžovacie káble musia spĺňať požiadavky normy DIN VDE 0620.
- ☼ Používajte iba schválené predlžovacie káble so zodpovedajúcimi prierezmi vodičov. Potrebné informácie si vyžadajte u kvalifikovaného elektromontéra.
- ☼ Predlžovací kábel je nutné používať spoločne s ochranným príslušenstvom.
- ☼ Pri práci s vybavením, ktoré je určené na vonkajšie použitie, odporúčame používať prúdový chránič s maximálnym zvyškovým prúdom 30 mA. Vo Švajčiarsku je používanie prúdových chráničov povinné.

## 4. ÚČEL POUŽITIA

### Účel použitia

- ☼ Akumulátorový vertikutátor FZV 70905-0 je určený na prevzdušňovanie trávnikov a trávnatých plôch v súkromných záhradách a na plochách v okolí obytných budov. Nie je určený na používanie na verejných priestranstvách, v parkoch, na športových ihriskách, na cestách, v poľnohospodárstve alebo lesníctve.

**⚠ POZOR!** Aby sa zabránilo riziku zranenia, nesmie sa akumulátorový vertikutátor používať na prerezávanie krov, živých plotov a krovín. Navyše sa akumulátorový vertikutátor nesmie používať na vyrovnávanie nepravidelného terénu.

## 5. PRÍPRAVA

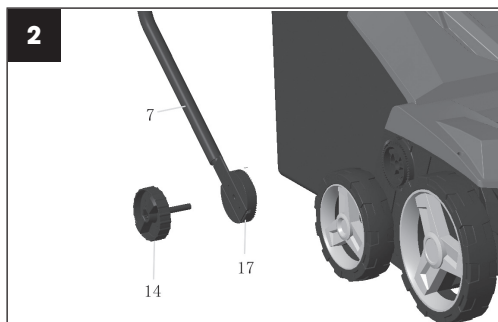
- ✿ Pri práci so strojom vždy nosíte pevnú obuv a dlhé nohavice. Stroj nikdy neobsluhujte naboso alebo v sandáloch. Vyhnite sa noseniu súčastí odevu, ktoré nie sú priliehavé alebo majú voľné šnúry, napríklad kravaty.
- ✿ Starostlivo skontrolujte oblasť, v ktorej sa má stroj používať, a odstráňte všetky predmety, ktoré by ním mohli byť odhodnené.
- ✿ Pred použitím vždy urobte vizuálnu kontrolu stroja, aby ste sa uistili, či prerezávací jednotka, skrutky a ďalšie montážne zostavy nie sú opotrebené alebo poškodené. Zistené opotrebené alebo poškodené súčasti vymeňte, aby bol zaistený dobre vyvážený chod stroja. Vymeňte poškodené alebo nečitateľné štítky.

## 6. PREVÁDZKA

- ✿ Nikdy nedovoľte deťom alebo iným osobám, ktoré nie sú oboznámené s príslušným návodom na obsluhu, aby používali záhradné náradie. Miestne právne predpisy môžu obmedzovať vek používateľa.
- ✿ So strojom pracujte iba za denného svetla alebo za dostatočného umelého osvetlenia.
- ✿ S vertikutátorom nepracujte za nepriaznivých poveternostných podmienok.
- ✿ Stroj vedzte vždy iba rýchlosťou, ktorá zodpovedá tempu bežnej chôdze, nikdy s ním nebehajte.
- ✿ Nikdy vertikutátor nepoužívajte bez bezpečnostného vybavenia.

## 7. ZOSTAVENIE STROJA

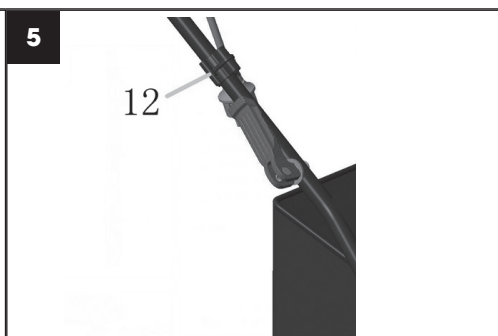
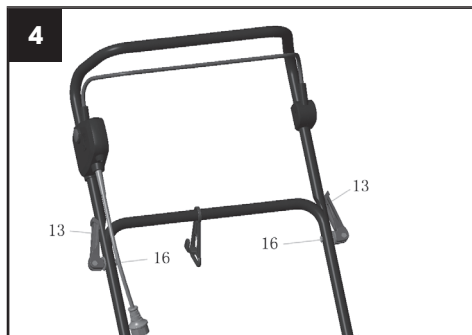
1. Priskrutkujte spodné diely držadla (obr. 2, bod 7) pomocou skrutky (bod 14). Pomocou matice s vnútorným mnohohranom (bod 17) nastavte požadovanú výšku držadla.



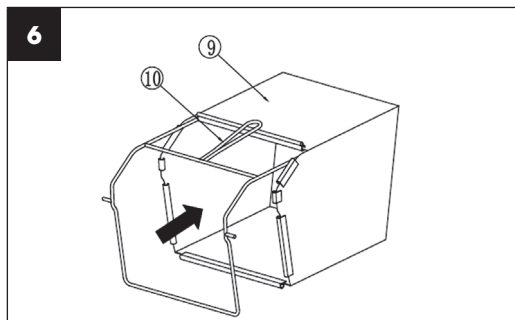
2. Priskrutkujte prostredný diel držadla s nasadeným zaistením pre prívodný kábel, pomocou rýchchloupínacej páky a skrutky držadla (obr. 3).



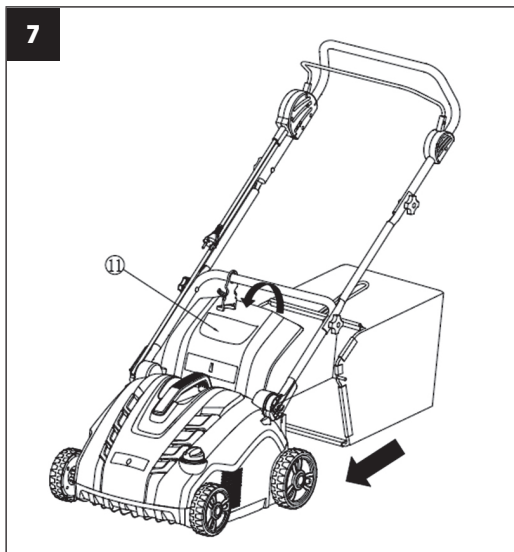
3. Priskrutkujte horný diel držadla (obr. 4).  
4. Pomocou plastových svoriek (obr. 5) pripevnite k držadlu prívodný kábel.



5. Vložte kovový rám (10) do textilného zberného koša (9) a pripevnite všetky príchytky k ľavej, pravej a zadnej tyči rámu. Uistite sa, či sú všetky príchytky správne zaistené (obr. 6).



6. Montáž celkom zostaveného zberného koša na vertikutátor (obr. 7).
- Zdvihnite ochranný kryt ⑪.
  - Uistite sa, že vyhadzovací kanál je čistý a neobsahuje zvyšky.
  - Umiestnite kompletne zostavený zberný kôš na upevňovacie body v zadnej časti šasi stroja tak, ako je znázornené na ilustrácii.
  - Umiestnite ochranný kryt ⑪ na hornú stranu zberného koša. Skontrolujte správne usadenie zberného koša.



**POZNÁMKA:** Na použitie bez zberu pokosenej trávy môže byť vertikutátor používaný bez zberného koša s ochranným krytom ⑪ v dolnej polohe.

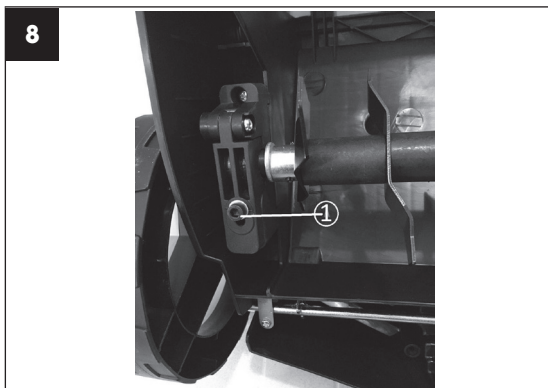
## 8. VÝMENA NOŽOV

### ⚠ NEBEZPEČENSTVO!

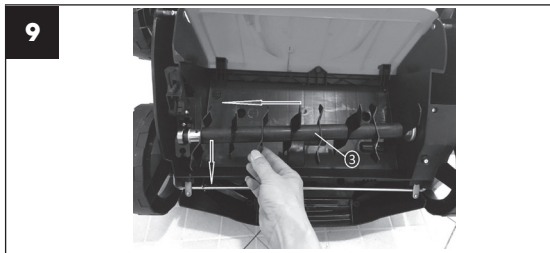
Valce môžu spôsobiť zranenie!

Pred výmenou odpojte stroj od elektrickej siete a vyčkajte, kým sa valec neprestane otáčať. Pri výmene používajte pracovné rukavice.

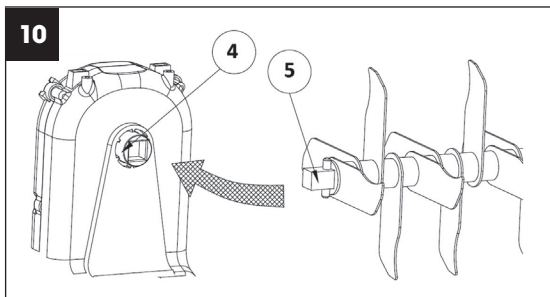
- Vyskrutkujte skrutku ① na spodnej strane šasi (obr. 8).



2. Zdvihnite valec ③ v šikmom smere a vytiahnite ho (obr. 9).



3. Nasuňte druhý valec na hnací hriadeľ tak, aby čap ⑤ zapadol do príslušnej časti hnacieho hriadeľa ④ (obr. 10).
4. Pritiahnutím skrutky ① urobte opätovné zaistenie (obr. 8)



## 9. NASTAVENIE VERTIKUTÁTORA

### ⚠ POZOR!

**Pracovná hĺbka s vertikutačným valcom** by nemala byť väčšia než 3 mm. Prevzdušňovací valec s pružinami by mal pri práci kopírovať obrys povrchu zeme. Nastavenie nadmernej pracovnej hĺbky môže mať aj bez viditeľného opotrebenia nožov/pružín za následok poškodenie vertikutačného valca alebo preťaženie a zničenie motora. **Môže takisto dôjsť k poškodeniu trávnik.**

### Nastavenie po opotrebení

Na zachovanie odporúčanej pracovnej hĺbky používajte ovládací prvok určený na nastavenie pracovnej hĺbky (obr. 1, bod 8).

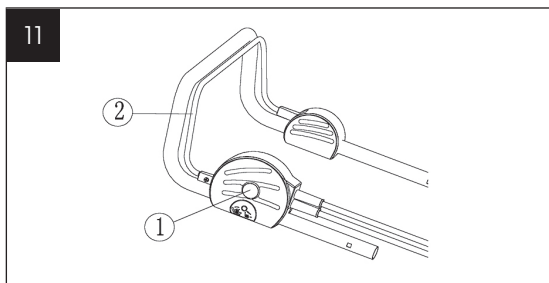
📖 **POZNÁMKA:** Nože a pružiny vertikutátora podliehajú opotrebeniu v závislosti na spôsobe, akým sa používajú. Čím intenzívnejšie je vertikutátor používaný, tým väčšie je opotrebenie nožov a pružín. Tvrdá alebo veľmi suchá pôda urýchľuje proces opotrebenia, takisto ako nadmerné používanie. Ak sa budú v dôsledku opotrebenia nožov výsledky vašej práce s vertikutátorom postupne zhoršovať, je možné vertikutačné valce nastaviť tak, aby bola trvalo udržiavaná vyššie uvedená pracovná hĺbka.

## 10. UVEDENIE DO PREVÁDZKY (OBR. 11)

**Pred opätovným spustením sa uistite, že sa nôž celkom zastavil.  
Nevykonávajte zapínanie a vypínanie v rýchlom slede.**

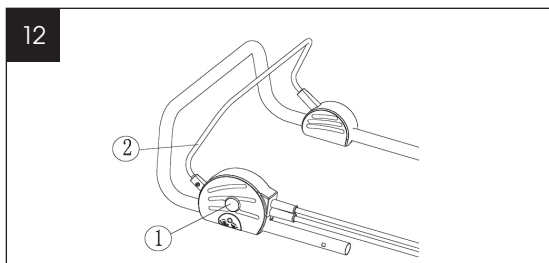
### Spustenie

1. Stlačte a podržte bezpečnostné tlačidlo  
①. Pritiahnite spúšťač páku ② k držadlu.
2. Uvoľnite bezpečnostné tlačidlo.



### Vypnutie

- Uvoľnite spúšťač páku ②.



## 11. ÚDRŽBA

### Čistenie vertikútátora

- ⚠ **POZOR!** Nebezpečenstvo! Otáčajúci sa nôž môže spôsobiť zranenie.
- ⚠ **POZOR!** Pred začatím vykonávania údržby odpojte stroj od elektrickej siete a vyčkajte, kým sa vertikútačný valec celkom nezastaví.
- ⚠ **POZOR!** Pri vykonávaní údržby používajte pracovné rukavice.

✿ Vertikutátor je po každom použití potrebné očistiť.

- ⚠ **POZOR!** Nebezpečenstvo zranenia osôb a poškodenia stroja.
  - ⚠ **POZOR!** Čistenie vertikútátora nevykonávajte pod tečúcou vodou (najmä nie pod vysokým tlakom).
  - ⚠ **POZOR!** Na čistenie vertikútátora nepoužívajte tvrdé alebo zahrotené predmety.
- ✿ Odstraňujte trávu a nahromadené zvyšky a nečistoty z kolies, vertikútačného valca a krytu.

## 12. VERTIKUTÁCIA / PREVZDUŠŇOVANIE

- ☼ Na pohodlnú prácu s vertikutátorom je najvhodnejšie začať prácu v mieste, ktoré je najbližšie napájaciemu zdroju, a následne postupovať smerom od napájacieho zdroja.
- ☼ Vertikutáciu / prevzdušňovanie trávniku vykonávajúte v pravom uhle od napájacieho zdroja a prívodný kábel umiestňujete na tej strane, ktorá už bola ošetrovaná.

**⚠ POZOR!** Pri práci sa vyhýbajte nadmernému zafažovaniu motora, najmä v náročnejších podmienkach. Ak je motor namáhaný, znižujú sa jeho otáčky a vydáva počuteľný zvýšený hluk. Kedykoľvek nastane táto situácia, zastavte prácu, uvoľnite spúšťaciu páku a nastavte menšiu hĺbku vertikutácie / prevzdušňovania. V opačnom prípade by mohlo dôjsť k poškodeniu stroja.

**📖 POZNÁMKA:** Motor je chránený bezpečnostným mechanizmom, ktorý sa okamžite aktivuje pri zistení zachytenia nožov alebo preťaženia motora. Kedykoľvek nastane táto situácia, vypnite stroj a vytiahnite zástrčku prívodného kábla zo zásuvky napájacieho zdroja. Východiskový stav bezpečnostného mechanizmu môžete obnoviť iba pri uvoľnení spúšťacej páky. Pred obnovením východiskového stavu bezpečnostného mechanizmu a pokračovaním v práci odstráňte prekážky a niekoľko minút počkajte. V priebehu tohto času nepohybujte spúšťacou pákou, keďže by to malo za následok predĺženie času potrebného na obnovenie východiskového stavu bezpečnostného mechanizmu. V prípade, že sa stroj opäť vypne, urobte ďalšie zmenšenie hĺbky vertikutácie / prevzdušňovania, aby sa znížilo zafaženie motora.

## 13. TECHNICKÉ ÚDAJE

Napätie nabíjačky.....	100 – 240 V/50 – 60 Hz
Menovité napätie.....	36 V (2 lítium-iónové akumulátory po 18 V)
Otáčky naprázdno.....	3 000 ot./min
Pracovná šírka.....	380 mm
Pracovná hĺbka.....	5 (-12 /-9 /-6 /-3 /+6) mm
Vertikutačné nože.....	16 ks

## 14. LIKVIDÁCIA

### POKYNY A INFORMÁCIE K LIKVIDÁCII VYRADENÝCH OBALOVÝCH MATERIÁLOV

Vyradený obalový materiál zlikvidujte v mieste určenom na likvidáciu odpadov vo vašom bydlisku.



Toto elektrické zariadenie a jeho príslušenstvo sú vyrobené z rôznych materiálov, napr. z kovu a plastov. Poškodené diely odneste do recyklačného strediska. Otázky smerujte na príslušné oddelenie miestneho úradu.



Tento produkt spĺňa všetky základné požiadavky všetkých príslušných smerníc EÚ.

Text, dizajn a technické údaje sa môžu zmeniť bez predchádzajúceho upozornenia a vyhradujeme si právo vykonávať takéto zmeny.

Preklad originálneho návodu na obsluhu.



## 15. VYHLÁSENIE O ZHODE

**FAST**<sup>®</sup>

**FAST ČR, a.s.**  
 U Sanitásu 1621, 251 01 Říčany, Czech Republic  
 tel.: +420 323 204 111, fax: +420 323 204 110

**EU VYHLÁSENIE O ZHODE**

**Produkt / značka:** Akumulátorový prevzdušňovač trávniká, vertikutátor a zametač /  
**FIELDMANN**

**Typ / model:** **FZV 70905-0** ako výrobný model WR6601-W-S1-Q  
 DC 40V (2x 20V bateria); IPX1  
 nameraná hladina akustického výkonu:  $L_{pA} = 81,1$  dB(A)  
 garantovaná hladina akustického výkonu:  $L_{WA} = 93$  dB(A)

**Výrobca:** FAST ČR, a.s.  
 U Sanitásu 1621, 251 01 Říčany, Czech Republic  
 VAT no: CZ24777749

**Toto vyhlásenie o zhode sa vydáva na výhradnú zodpovednosť výrobcu.**

**Predmet vyhlásenia opísaného vyššie je v súlade s príslušnými harmonizačnými právnymi predpismi Únie:**

Smernice MD 2006/42/EC                      Smernice EMC 2014/30/EU  
 Smernice NEE 2000/14/EC                    Smernice RoHS 2011/65/EU

**Príslušné harmonizované normy a ostatné technické špecifikácie:**

EN 60335-1:2012+A11+A13+A14+A2                      EN 62233:2008  
 EN 50636-2-92:2014    EN ISO 12100:2010  
 EN IEC 61058-1:2018    EN 61058-1-1:2016  
 EN 55014-1:2017    EN 55014-2:2015



**Miesto vydania:** Praha  
**Dátum vydania:** 13. 07. 2022

**Meno:** Petr Uher – Zodpovedná osoba  
**Podpis:**



**FAST**<sup>®</sup> **FAST ČR, a.s.**<sup>07</sup>  
 U Sanitásu 1621, 251 01 Říčany  
 tel.: +420 323 204 111  
 IČO: 247 77 749, DIČ: CZ 247 77 749

IČO:24777749, DIČ:CZ24777749

Bankovní spojení: Komerční banka Praha 1, č.ú. 89309011/0100, ČSOB Praha 1, č.ú. 8010-0116233383/0300  
 Česká spořitelna Praha 4, č.ú. 2375682/0800



# AKKUMULÁTOROS GYEPSZELLŐZTETŐ FELHASZNÁLÓI KÉZIKÖNYV

**Tisztelt Ügyfelünk, nagyon köszönjük az irántunk tanúsított bizalmát!**

**Az üzembe helyezés előtt feltétlenül olvassa el ezt a használatára vonatkozó útmutatót! Minden utasítást megtalál benne, amelyekre a normál üzemeltetéshez szüksége van, és betartásuk gondoskodik a gép hosszú élettartamáról. Feltétlenül tartsa be különösen a használati útmutatóban található biztonsági utasításokat.**

## TARTALOM

1. ÁLTALÁNOS BIZTONSÁGI ELŐÍRÁSOK.....	42
2. JELZÉSEK .....	42
3. BIZTONSÁGI UTASÍTÁSOK.....	44
4. A HASZNÁLAT CÉLJA.....	45
5. ELŐKÉSZÍTÉS .....	46
6. ÜZEMELTETÉS.....	46
7. A GÉP ÖSSZEÁLLÍTÁSA .....	46
8. A KÉSEK CSERÉJE.....	48
9. A GYEPSZELLŐZTETŐ BEÁLLÍTÁSA .....	49
10. ÜZEMBE HELYEZÉS (11. ábra).....	50
11. KARBANTARTÁS.....	50
12. VERTIKUTÁLÁS / SZELLŐZTETÉS .....	51
13. MŰSZAKI ADATOK.....	52
14. MEGSEMISÍTÉS.....	52
15. MEGFELELŐSÉGI NYILATKOZAT .....	53

# 1. ÁLTALÁNOS BIZTONSÁGI ELŐÍRÁSOK

## Fontos biztonsági figyelmeztetések


- ☼ Óvatosan csomagolja ki a terméket, és ne dobja ki a csomagolás egyetlen részét sem, amíg meg nem találja a termék összes alkatrészét.
- ☼ A gépet tartsa száraz helyen és gyermekektől távol.
- ☼ Olvassa el az összes figyelmeztetést és utasítást. A figyelmeztetések vagy utasítások be nem tartása áramütést, tüzet és/vagy súlyos sérüléseket okozhat.

## Csomagolás

A terméket olyan csomagolásban szállítjuk, amely védi a szállítás közbeni sérüléstől. Ez a csomagolás másodlagos nyersanyag, amely újra feldolgozható.


## Felhasználói kézikönyv

Mielőtt elkezdené a munkát a szerszámmal, olvassa el az alábbi biztonsági szabályokat és használati utasításokat. Ismerkedjen meg alaposan a szerszám kezelőelemeivel és megfelelő használatával. Tartsa ezt a felhasználói útmutatót biztonságos helyen a későbbi egyszerű használat érdekében. Az eredeti csomagolást, beleértve a belső csomagolóanyagot, a jótállási jegyet és a vásárlás igazolását, legalább a garancia időtartamáig őrizze meg. Ha az elektromos szerszámot más helyre kell szállítani, a maximális védelem biztosítása érdekében a kezelés és szállítás során csomagolja az eredeti kartondobozba (például költözéskor, vagy amikor az elektromos szerszámot szervizbe küldi javításra).


 **Megjegyzés:** Ha másnak adja át a gépet, mellékelje hozzá ezt a felhasználói kézikönyvet. Ügyeljen rá, hogy a gépet helyesen, a felhasználói kézikönyvben szereplő utasításoknak megfelelően használják. Az üzemeltetési utasításokon kívül a felhasználói kézikönyv a karbantartási és javítási munkákkal kapcsolatos utasításokat is tartalmazza.

**A gyártó nem vállal felelősséget ezen utasítások be nem tartása miatt okozott balesetekért vagy károkért.**

## 2. JELZÉSEK

 **FIGYELEM!** A gép üzembe helyezése előtt gondosan olvassa el a használati útmutatót és az általános biztonsági előírásokat!

Ne dolgozzon esőben vagy kedvezőtlen időjárási körülmények között!

 **FIGYELEM!** A gypszellőztető kés a gép kikapcsolása után egy ideig még forog!  
Tartsa be a biztonságos távolságot!  
Figyelem, forgó kések!

	<p>Figyelem! A gép üzembe helyezése előtt gondosan olvassa el a használati útmutatót és az általános biztonsági előírásokat!</p>
	<p>Ne dolgozzon esőben vagy kedvezőtlen időjárási körülmények között!</p>
	<p>Figyelem, a gyepszellőztető kés a gép kikapcsolása után egy ideig még forog!</p>
	<p>Tartsa be a biztonságos távolságot!</p>
	<p>Figyelem, forgó kések! Éles kés(ek). Vigyázzon, hogy ne sérüljön meg, és ne vágja le az ujjait.</p>
	<p>A gép beállításának vagy karbantartásának elvégzése előtt, vagy ha az áramvezeték becsípődött vagy sérült, mindig kapcsolja ki a motort és húzza ki a tápkábel csatlakozóját az aljzatból!</p>
	<p>A munka során használjon védőeszközöket.</p>
	<p>A gépen végzett munka megkezdése előtt húzza ki a tápkábel csatlakozóját az áramforrásból.</p>

## 3. BIZTONSÁGI UTASÍTÁSOK

Köszönjük, hogy megvásárolta ezt a kerti gepszellőztetőt. A termék használata előtt figyelmesen olvassa el a használati útmutatót és őrizze meg a későbbiekre.

### Minden használat előtt ellenőrizendő

- ✿ Az akkumulátoros gepszellőztetőt minden használat előtt ellenőrizze.
- ✿ Az akkumulátoros gepszellőztetőt ne használja, ha biztonsági mechanizmusi (indítókar, biztonsági fék, hátsó fedél vagy borítás) sérültek vagy elhasználódtak.
- ✿ Soha ne használja a gépet blokkolt vagy hiányzó biztonsági mechanizmussal.

 **MEGJEGYZÉS:** Győződjön meg róla, hogy minden anyacsavar és csavar jól be van húzva és a berendezés jó üzemi állapotban van.

- ✿ A munka megkezdése előtt ellenőrizze a területet, amelyet szellőztetni kell. A munkaterületen végzett ellenőrzés célja, hogy megtalálja az idegen tárgyakat (pl. kövek, ágak, kötélدارabok), és ezeket a tárgyakat távolítsa el.

### A használat helyes / felelősségteljes módja

 **FIGYELEM!** Veszély! Sérülésveszély! A gepszellőztető súlyos sérülést tud okozni!

- ✿ Ne tegye a kezét vagy lábát a gepszellőztető hengerének közelébe.
- ✿ Használja a gépet felelősségteljesen, azon a biztonságos módon, ahogy az útmutatóban le van írva.
- ✿ Csak jó látási viszonyok között dolgozzon.
- ✿ Használat közben ne nyissa ki a hátsó borítást.
- ✿ Ismerkedjen meg a munkaterület környékével. Ellenőrizze az esetleges veszélyforrásokat, amelyek a gép zajától nem lennének hallhatóak.
- ✿ Munka közben a lábát stabil cipővel és hosszúnadrággal védje.
- ✿ Ügyeljen rá, hogy a lába biztonságos távolságban legyen a mozgó alkatrészekről.
- ✿ Bizonyosodjon meg róla, hogy a munkaterület közelében nem tartózkodnak emberek (főleg gyermekek) és állatok.
- ✿ A gepszellőztetőt mindig olyan sebességgel tolja, amilyen gyorsan gyalogol.
- ✿ Munkapozíció: ügyeljen rá, hogy munka közben a lába mindig biztonságosan meg legyen támasztva.
- ✿ Különösen óvatos legyen, ha lejtőn irányt változtat.

 **FIGYELEM!** Hátrafelé haladva legyen különösen óvatos. Megbotolhat!

- ✿ Ne használja az elektromos gepszellőztetőt esőben vagy vizes, nedves körülmények között.
- ✿ Ne használja a gepszellőztetőt medence vagy kerti tó szélének közelében.
- ✿ Tartsa be a helyi zajkorlátozásra vonatkozó előírásokat.

### A munka megszakítása

 **FIGYELEM!** Az akkumulátoros gepszellőztetőt soha ne hagyja a munkahelyen felügyelet nélkül.

- ☼ Ha megszakítja a munkát, tegye a készüléket biztonságos helyre. Húzza ki a tápkábelt az elektromos hálózatból! Ha megszakítja a munkát, hogy egy másik munkaterületre menjen át, az áthelyezéskor az akkumulátoros gyepszellőztetőt mindig kapcsolja ki. A kopáskiegyenlítő kart csúsztassa szállítási állásba.
- ☼ Ha gyepszellőztetés közben akadályba ütközik, kapcsolja ki az akkumulátoros gyepszellőztetőt, és távolítsa el az akadályt. Ellenőrizze, hogy az ütközés nem tett-e kárt az akkumulátoros gyepszellőztetőben, szükség esetén javíttassa meg a gépet.

### Elektromos biztonság

- ☼ Tartsa a tápkábelt biztonságos távolságban a gyepszellőztető hengertől!
- ☼ Soha ne használja az akkumulátoros gyepszellőztetőt esőben.
- ☼ Tartsa be a lakott területi zajkorlátozásra vonatkozó helyi előírásokat.
- ☼ Rendszeresen ellenőrizni kell a táp- / hosszabbító kábelt sérülések és a kopás, elhasználódás jelei után.
- ☼ Ha a táp- / hosszabbító kábelen sérülést talál, azonnal húzza ki az adott kábelt a tápellátásból.
- ☼ A hosszabbító kábel csatlakozójának vízállónak kell tennie, hogy védelmet nyújtson a fröccsenő víz ellen, ill. gumiból kell készülnie, vagy gumiborítással kell rendelkeznie.
- ☼ A hosszabbító kábelnek teljesítenie kell a DIN VDE 0620 szabvány követelményeit.
- ☼ Csak jóváhagyott és megfelelő keresztmetszetű hosszabbító kábelt használjon. Részletesebb információkért forduljon szakképzett villanyszerelőhöz.
- ☼ A hosszabbító kábelt a védőtartozékokkal együtt kell használni.
- ☼ Ha kültéri üzemeltetésre való felszereléssel dolgozik, javasoljuk, hogy használjon 30 mA maximális maradékáramú áramvédőt. Svájcban az áramvédő használata kötelező.

## 4. A HASZNÁLAT CÉLJA

### A használat célja

- ☼ Az FZV 70905-0 akkumulátoros gyepszellőztető gyepek és füves területek szellőztetésére szolgál magántulajdonú kertekben és lakóházak körül. Nem való nyilvános tereken, parkokban, sportközpontokban, autófutakon, a mezőgazdaságban vagy erdőszelvényben történő munkavégzésre.

**⚠ FIGYELEM!** A sérülés elkerülése érdekében az akkumulátoros gyepszellőztetőt nem szabad sövények, bozótok átvágására használni. Az akkumulátoros gyepszellőztetőt egyenetlen terület elsímitására sem szabad használni.

## 5. ELŐKÉSZÍTÉS

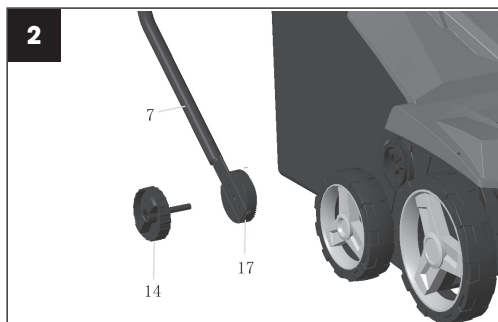
- ✿ A géppel végzett munka közben mindig stabil cipőt és hosszú nadrágot viseljen. Soha ne kezelje a gépet mezítláb vagy szandálban. Kerülje olyan ruhadarabok viselését, amelyek nem testhez állóak, vagy szabadon lógó zsinór, például nyakkendő van rajtuk.
- ✿ Gondosan ellenőrizze azt a területet, ahol a gépet használnia kell, és távolítsa el minden olyan tárgyat, amelyek a gépből kivágódhatnak.
- ✿ Használat előtt mindig nézze át a gépet, hogy meggyőződjön róla, a vágóegység, a csavarok és egyéb rögzítőelemek nem kopottak és sérültek-e. Az elhasználódott és sérült alkatrészeket cserélje ki, hogy a gép működése kiegyensúlyozott legyen. Cserélje ki a sérült vagy olvashatatlan címkéket.

## 6. ÜZEMELTETÉS

- ✿ Soha ne engedje, hogy gyermekek vagy olyan személyek használják ezt a kerti szerszámot, akik nem ismerkedtek meg a használati útmutatóval. Helyi jogszabályok korlátozhatják a használó személy életkorát.
- ✿ Csak nappali fény vagy jó minőségű mesterséges megvilágítás mellett dolgozzon a géppel.
- ✿ Ne dolgozzon a gyepszellőztetővel kedvezőtlen időjárási viszonyok esetén.
- ✿ A gépet olyan sebességgel vezesse, ahogy gyalogol, soha ne fusson vele.
- ✿ Soha ne használja a gyepszellőztetőt biztonsági felszerelés nélkül.

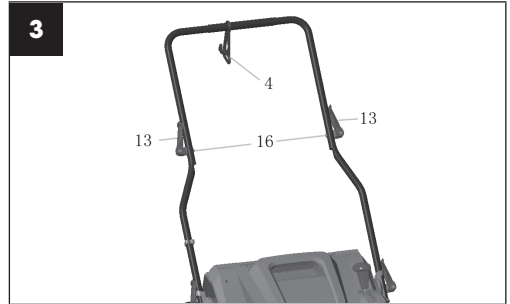
## 7. A GÉP ÖSSZEÁLLÍTÁSA

1. Csavarozza fel a fogantyú alsó részeit (2. ábra, 7. pont) a csavar (14. pont) segítségével. A belső sokszögű anya (17. pont) segítségével állítsa be a fogantyú kívánt magasságát.

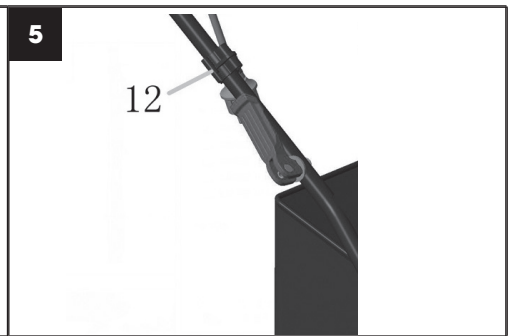
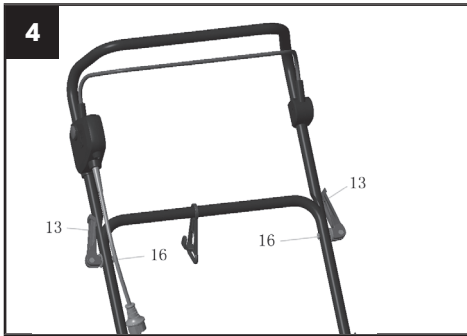




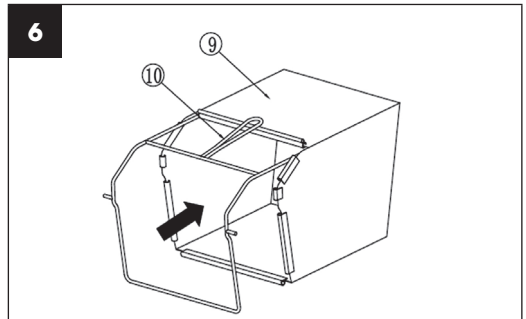
2. A gyorsrögzítő kar és a fogantyú csavarjának segítségével csavarozza fel a fogantyú középső részét, rajta a tápkábel biztosítójával (3. ábra).



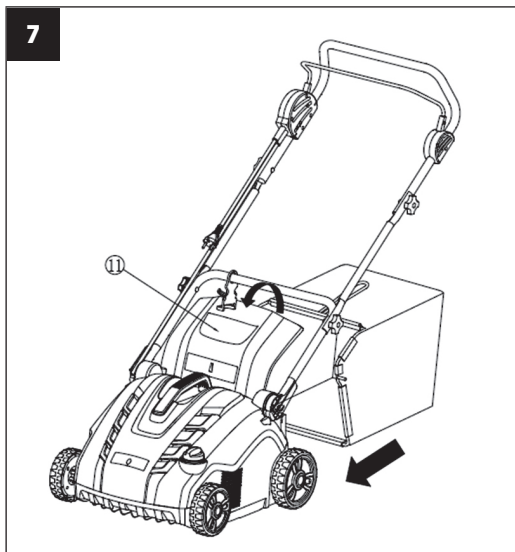
3. Csavarozza fel a fogantyú felső részét (4. ábra).  
4. Kábelcsipesz segítségével rögzítse a kábelt a fogantyúhoz (5. ábra).



5. Tegye be a fémkeretet (10) a textil gyűjtősárba (9) és rögzítsen minden elemet a keret bal, jobb és hátsó rúdjaához. Győződjön meg róla, minden rögzítőelem megfelelően rögzítve van (6. ábra).



6. A teljesen összeállított gyűjtőkosár felszerelése a gyepszellőztetőre (7. ábra).
  - A. Emelje fel a védőborítást ⑪.
  - B. Bizonyosodjon meg róla, hogy a kidobócső szennyeződésektől mentes.
  - C. Helyezze a teljesen összeállított gyűjtőkosarat a készüléket hátsó részén lévő rögzítőpontokra az ábra szerint.
  - D. A gyűjtőkosár tetejére helyezze vissza a védőborítást ⑪. Ellenőrizze, helyesen van-e beillesztve a gyűjtőkosár.



**MEGJEGYZÉS:** Ha a levágott fűvet nem akarja összegyűjteni, a gyepszellőztetőt a gyűjtőkosár nélkül, alsó állásban lévő védőborítással ⑪ is használhatja.

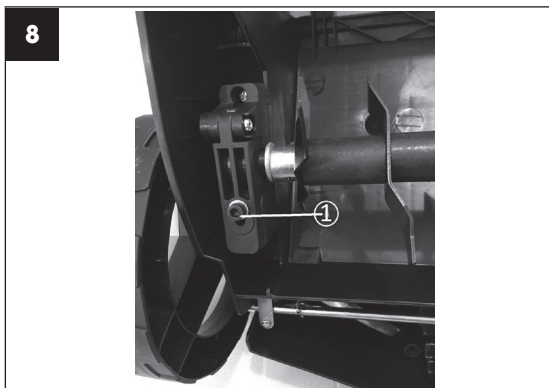
## 8. A KÉSEK CSERÉJE

### ⚠ VESZÉLY!

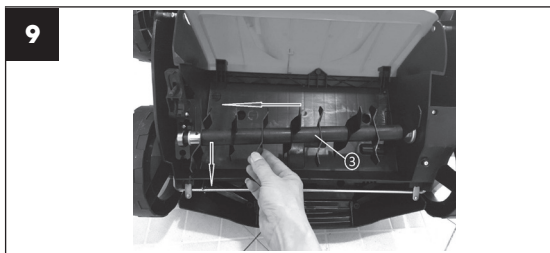
A hengerek sérülést okozhatnak!

Csere előtt húzza ki a gépet az elektromos hálózathoz, és várja meg, míg a henger forgása megáll. Csere esetén használjon védőkesztyűt.

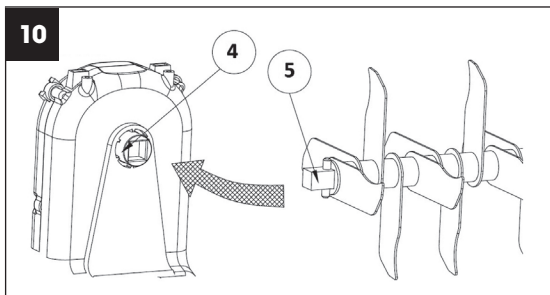
1. Engedje ki a csavart ① a készüléket alsó részén (8. ábra).



2. A hengert ③ emelje meg ferdén, és húzza ki (9. ábra).



3. Csúsztassa a második hengert a hajtótengelyre úgy, hogy a csap ⑤ a hajtótengely megfelelő részébe illeszkedjen ④ (10. ábra).



4. A csavar ① meghúzásával rögzítse újra (8. ábra)

## 9. A GYEPSZELLŐZTETŐ BEÁLLÍTÁSA

### ⚠ FIGYELEM!

**A munkamélység a gypszellőztető hengerrel** ne legyen több, mint 3 mm. A rugós szellőztető hengernek munka közben követnie kell a föld felszínét. A túl nagyra beállított munkamélység a kések/rugók látható kopása nélkül is meghibásodást okozhat a gypszellőztető hengerben, vagy túlterhelheti és tönkretelheti a motort. **A gyp is sérülhet.**

### Beállítás kopás után

Az ajánlott munkamélység megőrzésére használja a munkamélység beállítására szolgáló kezelőelemet (1. ábra, 8. pont).

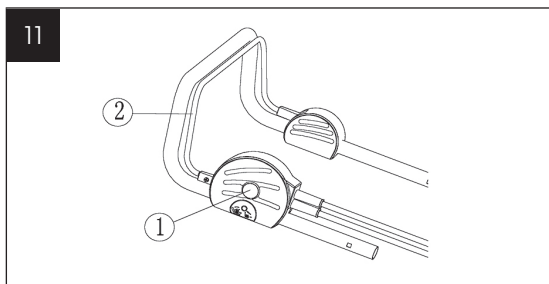
**MEGJEGYZÉS:** A gypszellőztető kései és rugói a használat módjától függően használódnak el. Minél intenzívebben használják a gypszellőztetőt, annál gyorsabb a kések és rugók elhasználódása. A kemény vagy nagyon száraz talaj meggyorsítja ezt folyamatot, akárcsak a túlzott igénybevétel. Ha a kések kopása miatt a gypszellőztetővel végzett munka eredménye romlik, a gypszellőztető hengert be lehet állítani úgy, hogy a fent megadottak munkamélységet mindig fenntartsa.

## 10. ÜZEMBE HELYEZÉS (11. ÁBRA)

**Mielőtt újra beindítja, bizonyosodjon meg róla, hogy a kés teljesen megállt. Ne kapcsolja ki és be gyors egymásutánban.**

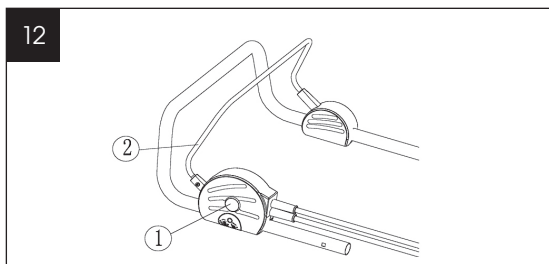
### Beindítás

1. Nyomja meg és tartsa lenyomva a biztonsági gombot ①. Húzza az indítókart ② a fogantyú felé.
2. Engedje fel a biztonsági kapcsolót.



### Kikapcsolás

Engedje el az indítókart ②.



## 11. KARBANTARTÁS

### A gypszellőztető tisztítása

- ⚠ **FIGYELEM!** Veszély! A forgó kés sérülést okozhat.
- ⚠ **FIGYELEM!** A karbantartás megkezdése előtt húzza ki a gépet az elektromos hálózathoz, és várja meg, míg a gypszellőztető henger teljesen megáll.
- ⚠ **FIGYELEM!** Karbantartáskor használjon védőkesztyűt.

☼ A gypszellőztetőt minden használat után meg kell tisztítani.

- ⚠ **FIGYELEM!** Személyi sérülés és a gép károsodásának veszélye.
  - ⚠ **FIGYELEM!** A gypszellőztetőt ne tisztítsa folyó víz alatt (különösen magas nyomás alatt).
  - ⚠ **FIGYELEM!** A gypszellőztető tisztításához ne használjon kemény vagy hegyes tárgyakat.
- ☼ Távolítsa el a fűvet és a lerakódásokat a kerekekről, a gypszellőztető hengerről és a borításról.

## 12. VERTIKUTÁLÁS / SZELLŐZTETÉS

- ☼ A gyepszellőztetővel való kényelmes munka érdekében a legjobb, ha a munkát a tápforráshoz legközelebb eső helyen kezdi, és fokozatosan távolodik tőle.
- ☼ A gyepszellőztetést a tápforrásra merőlegesen végezze, és a tápkábelt arra az oldalra tegye, amelyet már kezelt.

**⚠ FIGYELEM!** Munka közben ne terhelje túl a motort, különösen nehéz körülmények között. Ha a motor túl van terhelve, a fordulatszámja csökken, és a motor hangján hallani fogja a változást. Ha erre sor kerül, hagyja abba a munkát, engedje el az indítókart, és csökkentse a vertikutálás / szellőztetés mélységét. Ellenkező esetben a gép meghibásodhat.

**📖 MEGJEGYZÉS:** A motort biztonsági mechanizmus védi, amely abban a pillanatban aktiválódik, ha a kések elakadását vagy a motor túterhelődését érzékeli. Ha erre sor kerül, kapcsolja ki a gépet, és húzza ki a csatlakozót a tápforrásból. A biztonsági kapcsoló csak akkor áll vissza alapállapotba, ha fel van engedve az indítókár. Távolítson el minden akadályt, várjon néhány percig, amíg a biztonsági kapcsoló visszaáll alapállapotba, és folytatni tudja a munkát. Eközben ne nyúljon az indítókárhoz, mert ez meghosszabbíthatja a biztonsági mechanizmus visszaállításához szükséges időt. Ha a gép újra kikapcsol, csökkentse újra a vertikutálás / szellőztetés mélységét, hogy csökkentse a motor terhelését.

## 13. MŰSZAKI ADATOK

A töltő tápfeszültsége .....	100–240 V/50–60 Hz
Névleges feszültség .....	36 V (2 18 V-os lítium-ion akkumulátor)
Üresjáratú fordulatszám .....	3000 ford./perc
Munkaszélesség .....	380 mm
Munkamélység .....	5 (-12 /-9 /-6 /-3 /+6) mm
Gyepszellőztető kések száma .....	16 db

## 14. MEGSEMMISÍTÉS

### A HASZNÁLT CSOMAGOLÓANYAGOKRA VONATKOZÓ MEGSEMMISÍTÉSI UTASÍTÁSOK ÉS TÁJÉKOZTATÓ

A használt csomagolóanyagot a településén meghatározott hulladékmegsemmisítő helyen semmisítse meg.



Ez az elektromos készülék és tartozékai különböző anyagokból, pl. fémből és műanyagból készültek. A sérült alkatrészeket vigye el az újrafeldolgozó központba. Kérdés esetén forduljon az önkormányzat illetékes hivatalához.



Ez a termék teljesíti az EU valamennyi vonatkozó irányelvének alapkövetelményeit.

A szövegben, a kivitelben és a műszaki jellemzőkben előzetes figyelmeztetés nélkül változtatások történhetnek, és a változtatás jogát fenntartjuk.

Az eredeti használati útmutató fodítása.

## 15. MEGFELELŐSÉGI NYILATKOZAT

**FAST**<sup>®</sup>

**FAST ČR, a.s.**  
 U Sanitasu 1621, 251 01 Říčany, Czech Republic  
 tel.: +420 323 204 111, fax: +420 323 204 110

**MEGFELELŐSÉGI NYILATKOZAT**

**Termék / márka:** Cordless Lawn Aerator, Scarifier and Sweeper / **FIELDMANN**

**Típus / modell:** **FZV 70905-0** as factory model **WR6601-W-S1-Q**  
 DC 40V (2x 20V battery powered), IPX1  
 LPA = 81,1 dB(A), LWA = 93 dB(A)

**Gyártó:** FAST ČR, a.s.  
 U Sanitasu 1621, 251 01 Říčany, Czech Republic  
 VAT no: CZ24777749

Ez a megfelelőségi nyilatkozat kiadása a gyártó kizárólagos felelősségére történik.

**A termék megfelel az alább ismertetett előírásoknak:**

Directive MD 2006/42/EC  
 Directive EMC 2014/30/EU  
 Directive NEOE 2000/14/EC  
 Directive RoHS 2011/65/EU

**és szabványoknak:**

EN 60335-1:2012+A11+A13+A1+A14+A2	EN 62233:2008
EN 50636-2-92:2014	EN ISO 12100:2010
EN IEC 61058-1:2018	EN 61058-1-1:2016
EN 55014-1:2017	EN 55014-2:2015



**Kiadva:** Prágában

**Név:** Petr Uher - Responsible Person



**dátum:** 22. 4. 2022

**Alíráás és bélyegzők:**

IČO:24777749, DIČ:CZ24777749





# WERTYKULATOR AKUMULATOROWY

## INSTRUKCJA OBSŁUGI

**Drogi Kliencie, droga Klientko, dziękujemy za zaufanie!**

**Przed pierwszym uruchomieniem tej maszyny należy koniecznie zapoznać się z niniejszą instrukcją obsługi! Znajdziesz w niej wszystkie zalecenia dotyczące codziennej obsługi zapewniające długą żywotność maszyny. Należy bezwzględnie przestrzegać wszystkich wskazówek bezpieczeństwa zawartych w niniejszej instrukcji obsługi.**

## SPIS TREŚCI

1. OGÓLNE ZASADY BEZPIECZEŃSTWA .....	56
2. SYMBOLE .....	56
3. WSKAZÓWKI BEZPIECZEŃSTWA.....	58
4. PRZEZNACZENIE .....	59
5. PRZYGOTOWANIE .....	60
6. EKSPLOATACJA.....	60
7. MONTAŻ MASZYNY .....	60
8. WYMIANA NOŻY .....	62
9. USTAWIENIA WERTYKULATORA .....	63
10. URUCHOMIENIE (rys. 11).....	64
11. KONSERWACJA.....	64
12. WERTYKULACJA / SPULCHNIANIE .....	65
13. DANE TECHNICZNE .....	66
14. UTYLIZACJA.....	66
15. DEKLARACJA ZGODNOŚCI.....	67

# 1. OGÓLNE ZASADY BEZPIECZEŃSTWA

## Ważne ostrzeżenia dotyczące bezpieczeństwa

- ☼ Ostrożnie wypakuj produkt i nie wrzucaj żadnej części opakowania przed znalezieniem wszystkich części produktu.
- ☼ Przechowuj wyrób w suchym miejscu z dala od dzieci.
- ☼ Przeczytaj wszystkie ostrzeżenia i wszystkie zalecenia. Niestosowanie się do tych ostrzeżeń lub instrukcji może prowadzić do porażenia prądem elektrycznym, pożaru i/lub poważnych obrażeń.

## Opakowanie

Produkt dostarczany jest w opakowaniu chroniącym go przed uszkodzeniem podczas transportu. Opakowanie jest surowcem wtórnym, który można poddać recyklingowi.

## Instrukcja obsługi

Przed rozpoczęciem pracy z tym urządzeniem przeczytaj poniższe przepisy bezpieczeństwa i instrukcję obsługi. Zapoznaj się dokładnie z elementami sterującymi oraz właściwym użytkowaniem tego urządzenia. Umieść niniejszą instrukcję obsługi w bezpiecznym miejscu do późniejszego wglądu. Przynajmniej w okresie gwarancyjnym zachowaj oryginalne opakowanie włącznie z wewnętrznym materiałem opakowaniowym, kartą gwarancyjną i dowodem zakupu. Jeśli musisz przetransportować to elektronarzędzie w inne miejsce, zapakuj je do oryginalnego kartonu, aby zagwarantować maksymalną ochronę podczas manipulacji i transportu (na przykład podczas przeprowadzki lub odsyłania narzędzia do serwisu w celu naprawy).

- 📖 **Uwaga:** Jeśli będziesz sprzedawać urządzenie innej osobie, dołącz do niego niniejszą instrukcję obsługi. Zapewnij, aby urządzenie było użytkowane prawidłowo, zgodnie ze wskazówkami zawartymi w dostarczonej instrukcji obsługi. Oprócz zaleceń dotyczących użytkowania instrukcja obsługi zawiera także informacje na temat przeprowadzania konserwacji i napraw.

**Producent nie odpowiada za lub wypadki lub szkody spowodowane przez nieprzestrzeganie tych instrukcji.**

# 2. SYMBOLE

- ⚠ **UWAGA!** Przed uruchomieniem urządzenia przeczytaj uważnie instrukcję obsługi i ogólne wskazówki bezpieczeństwa!

Nie pracuj w deszczu ani w złych warunkach pogodowych!

- ⚠ **UWAGA!** Po wyłączeniu maszyny nóż wertykulatora jeszcze przez chwilę się obraca!  
Zachowaj bezpieczną odległość!  
Uwaga, obracające się noże!


	<p>Uwaga! Przed uruchomieniem urządzenia przeczytaj uważnie instrukcję obsługi i ogólne wskazówki bezpieczeństwa!</p>
	<p>Nie pracuj w deszczu ani w złych warunkach pogodowych!</p>
	<p>Uwaga, po wyłączeniu maszyny nóż wertykulatora jeszcze przez chwilę się obraca!</p>
	<p>Zachowaj bezpieczną odległość!</p>
	<p>Uwaga, obracające się noże! Ostry nóż / ostre noże. Chroń się przed zranieniem i utratą palców.</p>
	<p>Przed regulacją maszyny lub przeprowadzeniem jej konserwacji, a także w przypadku zakleszczenia lub uszkodzenia przewodu zasilania, należy zawsze wyłączyć silnik i wyciągnąć wtyczkę z gniazda zasilania!</p>
	<p>Podczas pracy należy używać środków ochrony indywidualnej.</p>
	<p>Przed rozpoczęciem prac przy maszynie należy wyjąć wtyczkę przewodu zasilającego z gniazda sieciowego.</p>

## 3. WSKAZÓWKI BEZPIECZEŃSTWA

Dziękujemy za zakup tego wertykulatora ogrodowego. Przed przystąpieniem do użytkowania należy uważnie zapoznać się z niniejszą instrukcją i zachować ją do wglądu w przyszłości.


### Kontrola przeprowadzana przed każdym uruchomieniem

- ✿ Przed każdym użyciem skontroluj wertykulator akumulatorowy.
- ✿ Nie używaj wertykulatora, jeśli urządzenia zabezpieczające (dźwignia uruchamiająca, blokada zabezpieczająca, tylna pokrywa lub osłona) są uszkodzone lub zużyte.
- ✿ Nigdy nie używaj maszyny z zablokowanym lub brakującym mechanizmem zabezpieczającym.

 **UWAGA:** Upewnij się, że wszystkie nakrętki i śruby są mocno dokręcone oraz że wertykulator jest w dobrym stanie umożliwiającym jego eksploatację.

- ✿ Przed rozpoczęciem pracy skontroluj obszar, który ma zostać spulchniony. Sprawdź, czy w obszarze roboczym nie ma żadnych ciał obcych (np. kamieni, gałęzi, sznurów) i w razie potrzeby usuń je.

### Prawidłowa eksploatacja / Odpowiedzialność

 **UWAGA!** Niebezpieczeństwo! Niebezpieczeństwo obrażeń! Wertykulator może spowodować poważne obrażenia!

- ✿ Zachowaj bezpieczną odległość nóg i rąk od wałka wertykulatora.
- ✿ Ponosisz odpowiedzialność za bezpieczną eksploatację maszyny opisaną w niniejszej instrukcji.
- ✿ Pracuj wyłącznie przy dobrej widoczności.
- ✿ Podczas pracy nie otwieraj tylnej pokrywy.
- ✿ Zapoznaj się z otoczeniem swojego miejsca pracy. Sprawdź, czy nie istnieje ewentualnie niebezpieczeństwo, którego być może nie słyszysz ze względu na hałas.
- ✿ Podczas pracy noś mocne obuwie i długie spodnie, aby chronić nogi.
- ✿ Zadbaj o to, aby twoje nogi znajdowały się w bezpiecznej odległości od poruszających się części.
- ✿ Upewnij się, że w pobliżu miejsca pracy nie znajdują się żadne osoby (zwłaszcza dzieci) lub zwierzęta.
- ✿ Wertykulator popychaj zawsze z prędkością spacerową.
- ✿ Pozycja podczas pracy: zadbaj o to, aby podczas pracy mieć stale bezpieczne oparcie dla nóg.
- ✿ Zachowaj szczególną ostrożność podczas zmiany kierunku pracy na zboczu.

 **UWAGA!** Podczas chodzenia tyłem zachowaj szczególną ostrożność. Możesz się potknąć!

- ✿ Nie używaj wertykulatora akumulatorowego podczas deszczu ani w wilgotnych lub mokrych miejscach.
- ✿ Nie pracuj z wertykatorem w pobliżu krawędzi basenów ani oczek wodnych.
- ✿ Przestrzegaj wszystkich lokalnych ograniczeń dotyczących głośności.

### Przerwa w pracy

 **UWAGA!** Nigdy nie pozostawiaj elektrycznego wertykulatora w obszarze roboczym bez nadzoru.

- ☼ Jeśli zamierzasz przerwać pracę, umieść maszynę w bezpiecznym miejscu. Odłącz wtyczkę przewodu zasilającego z gniazdka sieciowego! Jeśli przerwiesz pracę, aby się przemieścić, przemieszczaj się z wyłączonym wertykulatorem. Przesuń dźwignię regulującą zużycie na pozycję przeznaczoną do transportu.
- ☼ Jeśli podczas spulchniania natrafisz na przeszkodę, wyłącz wertykulator elektryczny i usuń przeszkodę. Sprawdź, czy wertykulator nie jest uszkodzony i w razie potrzeby oddaj go do naprawy.

### Bezpieczeństwo elektryczne

- ☼ Utrzymuj kabel zasilający w bezpiecznej odległości od wałka wertykulatora!
- ☼ Nigdy nie używaj wertykulatora akumulatorowego w deszczu.
- ☼ Przestrzegaj lokalnych ograniczeń dotyczących hałasu w miejscach zamieszkałych.
- ☼ Należy regularnie sprawdzać, czy przewód zasilający / przedłużacz nie jest uszkodzony i czy nie wykazuje znaków zużycia lub przetarcia.
- ☼ Jeśli stwierdzisz uszkodzenie przewodu zasilania / przedłużacza, natychmiast odłącz jego wtyczkę z gniazdka elektrycznego.
- ☼ Gniazdko przedłużacza musi być wodoodporne, aby chronić przewody przed przyskakającą wodą. Gniazdko musi być wykonane z gumy lub posiadać gumową osłonę.
- ☼ Przedłużacze muszą spełniać wymogi normy DIN VDE 0620.
- ☼ Korzystaj wyłącznie z certyfikowanych przedłużaczy o odpowiednim przekroju przewodów. Zasięgnij rady u swojego elektryka.
- ☼ Przedłużacze należy używać z wyposażeniem ochronnym.
- ☼ Podczas pracy z urządzeniami, które są przeznaczone do użytku zewnętrznego, zaleca się stosowanie wyłączników różnicowoprądowych o wartości prądu resztkowego 30 mA. W Szwajcarii korzystanie z wyłączników różnicowoprądowych jest obowiązkowe.

## 4. PRZEZNACZENIE

### Cel użycia

- ☼ Wertykulator akumulatorowy FZV 70905-0 jest przeznaczony do spulchniania trawników i powierzchni trawnikowych w prywatnych ogrodach oraz w okolicach budynków mieszkalnych. Nie jest przeznaczony do użytku na terenach publicznych, w parkach, na boiskach sportowych, na drogach, w gospodarstwach rolnych lub leśnych.

**⚠ UWAGA!** Aby nie dopuścić do obrażeń, nie wolno używać wertykulatora do przycinania krzewów i żywiopłotów. Ponadto wertykulator akumulatorowy nie należy używać do niwelowania nierówności terenu.

## 5. PRZYGOTOWANIE

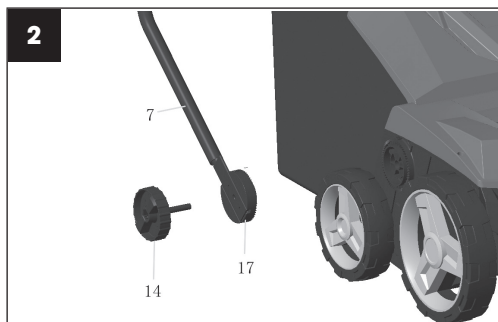
- ✿ Podczas pracy z tą maszyną noś solidne obuwie i długie spodnie. Nigdy nie obsługuj maszyny będąc na boso ani w sandałach. Nie noś odzieży posiadającej luźne lub wiszące elementy, na przykład krawatów.
- ✿ Dokładnie sprawdź obszar, w którym maszyna ma być używana i usuń wszelkie przedmioty, które mogłyby zostać przez nią odrzucone.
- ✿ Przed użyciem należy zawsze przeprowadzić wizualną kontrolę maszyny, aby upewnić się, że jednostka tnąca, śruby i inne części nie są zużyte lub uszkodzone. Wymień wszystkie zużyte lub uszkodzone elementy, aby zapewnić zrównoważone działanie maszyny. Wymień uszkodzone lub nieczytelne etykiety.

## 6. EKSPLOATACJA

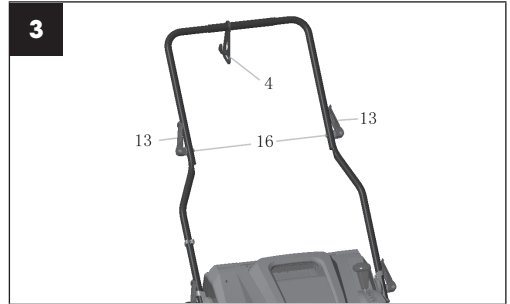
- ✿ Nigdy nie pozwalaj dzieciom ani innym osobom, które nie zostały zapoznane z odpowiednią instrukcją obsługi, aby korzystały z tego urządzenia. Lokalne przepisy prawne mogą ograniczać wiek użytkownika.
- ✿ Używaj tej maszyny wyłącznie przy świetle dziennym lub przy dostatecznie silnym sztucznym oświetleniu.
- ✿ Nie używaj wertykulatora w złych warunkach pogodowych.
- ✿ Maszynę zawsze prowadź z prędkością odpowiadającą prędkości zwykłego spaceru, nigdy nie biegaj z maszyną.
- ✿ Nigdy nie używaj wertykulatora bez wyposażenia zabezpieczającego.

## 7. MONTAŻ MASZYNY

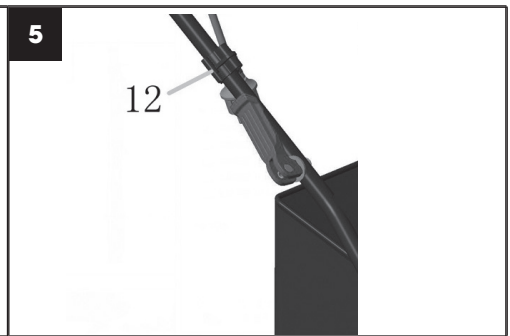
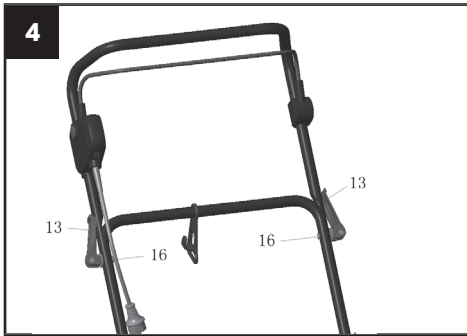
1. Przykręć dolne części uchwytu (rys. 2 punkt 7) przy pomocy śruby (punkt 14). Ustaw uchwyt na żądaną wysokość za pomocą nasadki wielokątnej (punkt 17).



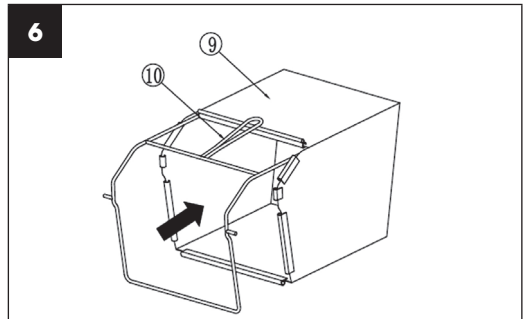
2. Przy pomocy szybkozłączki i śruby uchwyty (rys. 3) przykręć środkową część uchwyty z założoną blokadą kabla zasilającego.



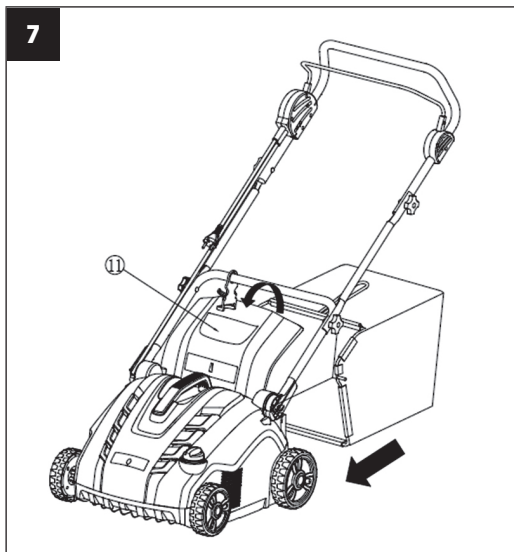
3. Przykręć górną część uchwyty (rys. 4).  
4. Przymocuj kabel do uchwyty przy pomocy plastikowych klamer (rys. 5).



5. Włóż metalową ramę (10) do tekstylnego kosza zbiorczego (9) i przymocuj wszystkie zatrzaski do lewego, prawego i tylnego drążka ramy. Upewnij się, czy wszystkie zatrzaski są należycie przymocowane (rys. 6).



6. Montaż całkowicie złożonego kosza zbiorczego do wertykulatora (rys. 7).
  - A. Podnieś pokrywę ochronną ⑪.
  - B. Upewnij się, że wyrzut jest czysty i że nie ma w nim resztek materiału.
  - C. Umieść zmontowany kosz zbiorczy w punktach mocowania w tylnej części obudowy tak, jak zostało to pokazane na rysunku.
  - D. Umieść pokrywę ochronną ⑪ na górnej stronie kosza zbiorczego. Sprawdź, czy kosz zbiorczy jest prawidłowo osadzony.



**UWAGA:** Aby korzystać z urządzenia bez zbierania skoszonej trawy, używaj wertykulator bez kosza zbiorczego, ale z pokrywą ochronną ⑪ w pozycji dolnej.

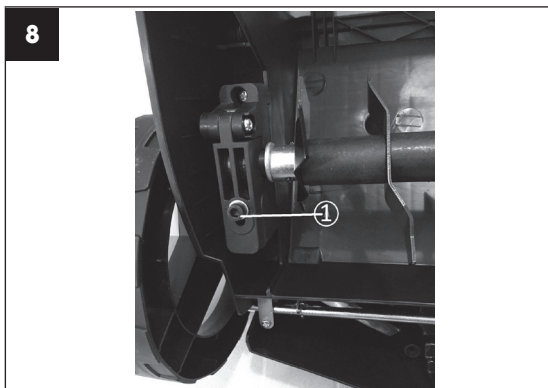
## 8. WYMIANA NOŻY

### **⚠ ZAGROŻENIE!**

Walce mogą spowodować obrażenia!

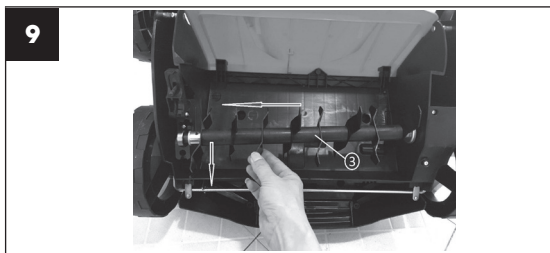
Przed wymianą odłącz maszynę od sieci elektrycznej i poczekaj, aż wałek przestanie się obracać. Podczas wykonywania wymiany noś rękawice robocze.

1. Odkręć śrubę ① znajdującą się pod spodem obudowy (rys. 8).

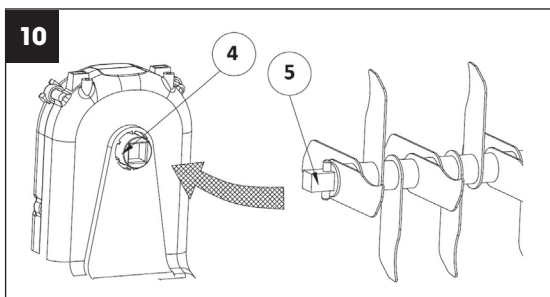




2. Podnieś wałek ③ na ukos i wyciągnij go (rys. 9).



3. Nasuń drugi wałek na wał napędowy tak, aby czop ⑤ został dopasowany do odpowiedniej części wału napędowego ④ (rys. 10).



4. Dokręć śruby ①, aby ponownie przymocować części (rys. 8)

## 9. USTAWIENIA WERTYKULATORA

### ⚠ UWAGA!

**Głębokość pracy wałka wertykulatora** powinna wynosić maksymalnie 3 mm. Wałek wertykulatora ze sprężynami powinien podczas pracy odwzorowywać kontur podłoża. Ustawienie zbyt dużej głębokości pracy może spowodować uszkodzenie wałka wertykulatora lub przeciążenie i zniszczenie silnika, nawet jeśli zużycie noży/sprężyn nie jest widoczne. **Może również dojść do uszkodzenia trawnika.**

### Regulacja po zużyciu

W celu zachowania zalecanej głębokości pracy korzystaj z regulatora głębokości pracy (rys. 1 pkt 8).

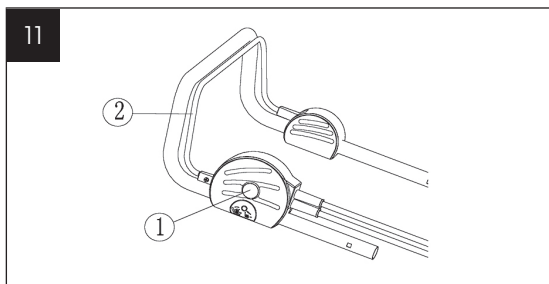
📖 **UWAGA:** Noże i sprężyny wertykulatora ulegają zużyciu w zależności od sposobu, w jaki są używane. Im intensywniej używasz wertykulatora, tym większe jest zużycie noży i sprężyn. Twarda lub bardzo sucha gleba przyspiesza proces zużycia, podobnie jak nadmierna eksploatacja. Jeśli wskutek zużycia noży efekty pracy z wertykulatorem stopniowo się pogarszają, należy ustawić wałki wertykulatora tak, aby stale utrzymywać powyższą głębokość pracy.

## 10. URUCHOMIENIE (RYS. 11)

**Przed ponownym uruchomieniem upewnij się, że nóż przestał się obracać.  
Nie wyłączaj i nie włączaj maszyny szybko po sobie.**

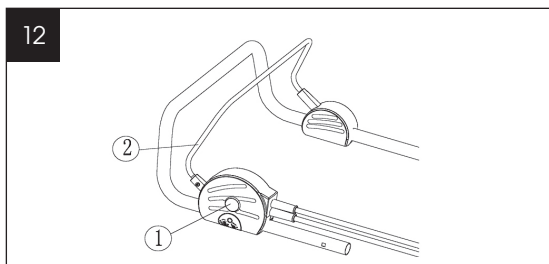
### Włączanie

1. Wciśnij i przytrzymaj przycisk bezpieczeństwa ①. Przyciągnij dźwignię uruchamiającą ② do uchwytu.
2. Zwolnij przycisk zabezpieczający.



### Wyłączanie

Zwolnij dźwignię uruchamiającą ②.



## 11. KONSERWACJA

### Czyszczenie wertykulatora

- ⚠ **UWAGA!** Niebezpieczeństwo! Obracający się nóż może spowodować obrażenia.
- ⚠ **UWAGA!** Przed rozpoczęciem konserwacji odłącz maszynę od sieci elektrycznej i poczekaj, aż wałek zupełnie się zatrzyma.
- ⚠ **UWAGA!** Podczas wykonywania konserwacji noś rękawice robocze.

☼ Po każdym użyciu należy wyczyścić wertykulator.

- ⚠ **UWAGA!** Niebezpieczeństwo obrażeń osób i uszkodzenia maszyny.
  - ⚠ **UWAGA!** Wertykulatora nie należy czyścić pod bieżącą wodą (w szczególności pod wysokim ciśnieniem).
  - ⚠ **UWAGA!** Do czyszczenia wertykulatora nie należy używać twardych ani ostrych przedmiotów.
- ☼ Usuwać trawę i resztki materiału organicznego z kół, wałka wertykulatora i pokrywy.

## 12. WERTYKULACJA / SPULCHNIANIE

- ✿ Aby zapewnić komfortową pracę z wertykulatorem, najlepiej rozpocząć ją w miejscu znajdującym się najbliżej źródła zasilania i kontynuować w kierunku przeciwnym do źródła zasilania.
- ✿ Wertykulację / spulchnianie trawnika wykonuj pod kątem prostym od źródła zasilania, a kabel zasilania umieszczaj po tej stronie, która już została spulchniona.

**⚠ UWAGA!** Podczas pracy unikaj przeciążania silnika, zwłaszcza w trudnych warunkach. Jeśli silnik zostanie przeciążony, zmniejszą się jego obroty i będzie słyszalny większy hałas. Kiedy taka sytuacja nastanie, przerwij pracę, zwolnij dźwignię uruchamiającą i ustaw mniejszą głębokość wertykulacji/spulchniania.

W przeciwnym razie może dojść do uszkodzenia maszyny.

**📖 UWAGA:** Silnik jest chroniony za pomocą zabezpieczenia, które uruchamia się w momencie, kiedy dojdzie do uchwycenia noży lub przeciążenia silnika. Jeśli do tego dojdzie, wyłącz urządzenie i wyciągnij wtyczkę ze źródła zasilania. Stan wyjściowy mechanizmu zabezpieczającego można przywrócić tylko przez zwolnienie dźwigni uruchamiającej. Przed przywróceniem stanu wyjściowego mechanizmu zabezpieczającego i kontynuowaniem pracy usuń wszystkie przeszkody i odczekaj kilka minut. W tym czasie nie manipuluj dźwignią uruchamiającą, bo mogłoby to wydłużyć czas potrzeby do przywrócenia stanu wyjściowego mechanizmu zabezpieczającego. Jeśli maszyna ponownie się wyłączy, jeszcze raz zmniejsz głębokość wertykulacji/spulchniania, aby obniżyć obciążenie silnika.

## 13. DANE TECHNICZNE

Napięcie ładowarki.....	100–240 V / 50–60 Hz
Napięcie znamionowe.....	36 V (2 akumulatory litowo-jonowe po 18 V)
Obroty na biegu jałowym .....	3000 obr./min
Szerokość robocza.....	380 mm
Głębokość pracy.....	5 (-12 /-9 /-6 /-3 /+6) mm
Liczba noży.....	16 szt.

## 14. UTYLIZACJA

### WSKAZÓWKI I INFORMACJE DOTYCZĄCE LIKWIDACJI ZUŻYTYCH OPAKOWAŃ

Zużyte opakowanie przekaż do wyznaczonego miejsca zbiórki odpadów w miejscu zamieszkania.



To elektronarzędzie i jego wyposażenie wyprodukowano z różnych materiałów, np. z metalu i plastiku. Uszkodzone elementy należy przekazać do punktu recyklingu. Pytania należy kierować do właściwego działu lokalnego urzędu.



Produkt spełnia wszystkie podstawowe wymogi wszystkich właściwych dyrektyw UE.

Tekst, design i dane techniczne mogą ulec zmianie bez uprzedzenia. Zastrzegamy sobie prawo do dokonania takich zmian.

Przekład oryginalnej instrukcji obsługi.

## 15. DEKLARACJA ZGODNOŚCI

**FAST**<sup>®</sup>

**FAST ČR, a.s.**  
 U Sanitásu 1621, 251 01 Říčany, Czech Republic  
 tel.: +420 323 204 111, fax: +420 323 204 110

**DEKLARACJA ZGODNOŚCI**

**Produkt / marka:** Cordless Lawn Aerator, Scarifier and Sweeper / **FIELDMANN**

**Typ / model:** **FZV 70905-0** as factory model WR6601-W-S1-Q  
 DC 40V (2x 20V battery powered), IPX1  
 LPA = 81,1 dB(A), LWA = 93 dB(A)

**Producent:** FAST ČR, a.s.  
 U Sanitásu 1621, 251 01 Říčany, Czech Republic  
 VAT no: CZ2477749

Niniejsza deklaracja zgodności wydawana jest na wyłączną odpowiedzialność producenta.

**Produkt spełnia wymagania następujących przepisów:**

Directive MD 2006/42/EC  
 Directive EMC 2014/30/EU  
 Directive NEOE 2000/14/EC  
 Directive RoHS 2011/65/EU

**i norm:**

EN 60335-1:2012+A11+A13+A14+A2	EN 62233:2008
EN 50636-2-92:2014	EN ISO 12100:2010
EN IEC 61058-1:2018	EN 61058-1-1:2016
EN 55014-1:2017	EN 55014-2:2015



**Opublikowano w Pradze**

**Jmiję i nazwisko:** Petr Uher - Responsible Person

**Data:** 2. 11. 2021

**Podpis i pieczętki:**

**FAST** FAST ČR, a.s.  
 U Sanitásu 1621, 251 01 Říčany  
 tel.: +420 323 204 111  
 IČO: 247 77 249, DIČ: CZ 247 77 749

IČO: 24777749, DIČ: CZ24777749

Bankovní spojení: Komerční banka Praha 1, č.ú. 89309011/0100, ČSOB Praha 1, č.ú. 8010-0116233383/0300  
 Česká spořitelna Praha 4, č.ú. 2375682/0800





**FIELDMANN®**  
Home & Garden Performance

**Model /Modell /Modelis:** .....

**Záruční list / Záručný list /  
Warranty Certificate / Jótállási jegy /  
Garantijos taisyklės / Karta Gwarancyjna**

Výrobní číslo  
Výrobné číslo  
Serial No.  
Szériaszám  
Serijos Nr.  
Numer seryjny

Razítko a podpis prodejce  
Pečiatka a podpis predajcu  
Dealer's stamp  
A kereskedő bélyegzője  
Pardavėjo antspaudas  
Pieczęćka i podpis sklepu

Datum prodeje  
Dátum predaja  
Date of purchase  
A vásárlás dátuma  
Pardavimo data  
Data zakupu

## Záruční podmínky

Prodávající poskytuje kupujícímu na výrobek záruku v trvání 24 měsíců od převzetí výrobku kupujícím. Záruka se poskytuje za dále uvedených podmínek. Záruka se vztahuje pouze na nové spotřební zboží prodané spotřebiteli pro běžné domácí použití. Práva z odpovědnosti za vady (reklamací) může kupující uplatnit buď u prodávajícího, u kterého byl výrobek zakoupen nebo v níže uvedeném autorizovaném servisu. Kupující je povinen reklamaci uplatnit bez zbytečného odkladu, aby nedocházelo ke zhoršení vady, nejpozději však do konce záruční doby. Kupující je povinen poskytnout při reklamaci součinnost nutnou pro ověření existence reklamované vady. Do reklamačního řízení se přijímá pouze kompletní a z důvodů dodržení hygienických předpisů neznehodnocený výrobek. V případě oprávněné reklamace se záruční doba prodlužuje o dobu od okamžiku uplatnění reklamace do okamžiku převzetí opraveného výrobku kupujícím nebo okamžiku, kdy je kupující po skončení opravy povinen výrobek převzít. Kupující je povinen prokázat svá práva reklamovatelem (doklad o zakoupení výrobku, záruční list, doklad o uvedení výrobku do provozu...).

### Záruka se nevztahuje zejména na:

- vady, na které byla poskytnuta sleva
- opotřebení a poškození vzniklé běžným užíváním výrobku
- poškození výrobku v důsledku neodborné či nesprávné instalace, použití výrobku v rozporu s návodem k použití, platnými právními předpisy a obecně známými a obvyklými způsoby používání, v důsledku použití výrobku k jinému účelu, než ke kterému je určen
- poškození výrobku v důsledku zanedbané nebo nesprávné údržby
- poškození výrobku způsobené jeho znečištěním, nehodou a zásahem vyšší moci (živelná událost, požár, vniknutí vody...)
- vady funkčnosti výrobku způsobené nevhodnou kvalitou signálu, rušivým elektromagnetickým polem apod.
- mechanické poškození výrobku (např. ulomení knoflíku, pád...)
- poškození způsobené použitím nevhodných médií, náplní, spotřebního materiálu (baterie) nebo nevhodnými provozními podmínkami (např. vysoké okolní teploty, vysoká vlhkost prostředí, otřesy...)
- poškození, úpravu nebo jiný zásah do výrobku provedený neoprávněnou nebo neautorizovanou osobou (servisem)
- případy, kdy kupující při reklamaci neprokáže oprávněnost svých práv (kdy a kde reklamovaný výrobek zakoupil)
- případy, kdy se údaje v předložených dokladech liší od údajů uvedených na výrobku
- případy, kdy reklamovaný výrobek nelze ztotožnit s výrobkem uvedeným v dokladech, kterými kupující prokazuje svá práva reklamovatelem (např. poškození výrobního čísla nebo záruční plombu přístroje, prepisované údaje v dokladech...)

## Záručné podmienky

Predávajúci poskytuje kupujúcemu na výrobok 24 mesiacov záruku od jeho prevzatia kupujúcim. Záruka sa poskytuje ďalej za nižšie uvedených podmienok. Záruka sa vzťahuje iba na spotrebný tovar predaný spotrebiteľovi na bežné domáce použitie. Práva zo zodpovednosti za chyby (reklamácie) môže kupujúci uplatniť buď u predávajúceho, u ktorého bol výrobok zakúpený alebo v nižšie uvedenom autorizovanom servise. Kupujúci je povinný reklamáciu uplatniť bez zbytočného odkladu, aby nedochádzalo ku zhoršeniu chyby, najneskôr však do konca záručnej doby. Kupujúci je povinný pri reklamacii spolupracovať pri overení existencie reklamovanej chyby. Do reklamačného procesu sa prijíma iba kompletný a z dôvodu dodržania hygienických predpisov neznehodnotený výrobok. V prípade oprávnenej reklamácie sa záručná doba predlžuje o dobu od okamžiku uplatnenia reklamácie do okamžiku prevzatia opraveného výrobku kupujúcim, kedy je kupujúci po skončení opravy povinný výrobok prevziať. Kupujúci je povinný preukázať svoje práva reklamovateľom (doklad o zakúpení výrobku, záručný list, doklad o uvedení výrobku do prevádzky...).

### Záruka sa nevztahuje na:

- chyby, na ktoré boli poskytnuté zľavy
- opotrebenia a poškodenia vzniknuté bežným užívaním výrobku
- poškodenie výrobku v dôsledku neodborné či nesprávne inštalácie, použitie výrobku v rozpore s návodom na použitie s platnými právnymi predpismi a všeobecne známymi a obvyklými spôsobmi používania, v dôsledku použitia výrobku za iným účelom, než na ktorý je určený
- poškodenie výrobku v dôsledku zanedbanej alebo nesprávnej údržby
- poškodenie výrobku spôsobené jeho znečistením, nehodou a zásahom vyššej moci (živelná udalosť, požiar, vniknutievody...)
- chyby funkčnosti výrobku spôsobené nevhodnou kvalitou signálu, rušivým elektromagnetickým polom a pod.
- mechanické poškodenie výrobku (napr. zlomenie gombíka, pád...)
- poškodenie spôsobené použitím nevhodných médií, náplní, spotrebného materiálu (batérie) alebo nevhodnými prevádzkovými podmienkami (napr. vysoké teploty v okolí, vysoká vlhkosť prostredia, otrasy...)
- poškodenie, úpravu alebo iný zásah do výrobku spôsobený neoprávnenou alebo neautorizovanou osobou (servisom)
- prípady, keď kupujúci pri reklamacii nepreukáže oprávnenosť svojich práv (kedy a kde reklamovaný výrobok zakúpil)
- prípady, keď sa údaje v predložených dokladoch líšia od údajov uvedených na výrobku
- prípady, keď reklamovaný výrobok sa neshoduje s výrobkom uvedeným v dokladoch, ktorými kupujúci preukazuje svoje práva reklamovateľom (napr. poškodenie výrobného čísla alebo záručnej plombu prístroja, prepisované údaje v dokladoch...)

## Conditions of guarantee

This product is warranted for the period of 24 months from the date of purchase to the end-user. Warranty is limited to the following conditions. Warranty is referred only to the customer goods using for common domestic use. The claim for service can be applied either at dealer's shop where the product was bought, or at below mentioned authorized service shops. The end-user is obligated to set up a claim immediately when the defects appeared but only till the end of warranty period. The end-user is obligated to cooperate to certify the claiming defects. Only completed and clean (according to hygienic standards) product will be accepted. In case of eligible warranty claim the warranty period will be prolonged by the period from the date of claim application till the date of taking over the product by end-user, or the date the end-user is obligated to take it over. To obtain the service under this warranty, end-user is obligated to certify his claim with duly completed following documents: receipt, certificate of warranty, certificate of installation...

### This warranty is void especially if apply as follows:

- Defects which were put on sale.
- Wear-out or damage caused by common use.
- The product was damaged by unprofessional or wrong installation, used in contrary to the applicable instruction manual, used in contrary to legal enactment and common process of use or used for another purpose which has been designed for.
- The product was damaged by uncareful or insufficient maintenance.
- The product was damaged by dirt, accident of force majeure (natural disaster, fire, flood, ...)
- Defects on functionality caused by low duality of signal, electromagnetic field interference etc.
- The product was mechanically damaged (e.g. broken button, fall...)
- Damage caused by use of unsuitable media, fillings, expendable supplies (batteries) or by unsuitable working conditions (e.g. high temperatures, high humidity, quakes, ...)
- Repair, modification or other failure action to the product by unauthorized person.
- End-user did not prove enough his right to claim (time and place of purchase).
- Data on presented documents differs from data on products.
- Cases when the claiming product can not be identified according to the presented documents (e.g. the serial number or the warranty seal has been damaged).

## Autorizovaná servisní střediska / Autorizované servisné strediská / Authorized service centres

FASTČR, a. s.  
U Sanitatu 1621 CZ  
251 01 Říčany  
Česká republika  
Tel.: +420/ 323 204 120  
Fax: +420/ 323 204 121  
servis.praha@fastcr.cz  
www.fastcr.cz

FAST ČR, a. s.  
Cejl 31  
CZ 602 00 Brno  
Česká republika  
Tel.: +420/ 531 010 295  
Fax: +420/ 531 010 296  
servis.brno@fastcr.cz  
www.fastcr.cz

Fast Plus, a. s.  
Na Pántoch 18  
SK 831 06 Bratislava  
Slovenská republika  
Tel.: +421/ 249 105 811  
Fax: +421/ 249 105 810  
fastplus@fastplus.sk  
www.fastplus.sk



## Jótállási jegy

■ A termék gyártója: FAST ČR, a.s. (U Sanitasa 1621, Řičany u Prahy 251 01, Csehország)  
■ A FAST Hungary Kft. (2310 Szigetszentmiklós, Kántor út 10.) mint a termék magyarországi importőre a jótállási jegyen feltüntetett típusú és gyártási számú készülékre jótállást biztosít a fogyasztók számára az alábbi feltételek szerint:  
■ A FAST Hungary Kft. a termékre a fogyasztó részére történő átadástól (vásárlástól), illetve ha az üzembe helyezését a termék értékesítő vállalkozás vagy annak megbízottja végzi, az üzembe helyezéstől számított 24 hónapig, míg 250.000,- Ft eladási ár felett 36 hónapig tartó időtartamra vállal jótállást. Ha a terméket a fogyasztó az átadástól számított fél éven belül helyzeti üzembe, akkor a jótállási határidő a termék átadásától kezdődik. A termék alkotórészeire és tartozékaira (pl. akkumulátor) a jótállási idő a termék átadásától számított 12 hónap.  
■ A jótállási igény a jótállási jeggyel, az átadástól (ha releváns az üzembe helyezéstől) számított (i) 1 évig - 100.000,- Ft eladási ár meg nem haladó termék esetén; (ii) 2 évig - 250.000,- Ft eladási ár meg nem haladó termék esetén; (iii) 3 évig - 250.000,- Ft eladási ár meg meghaladó termék esetén a terméket értékesítő vállalkozásnál, annak székhelyén, vagy bármely telephelyén, főkeletpén, illetve mindhárom esetben a jótállási jegyen feltüntetett hivatalos szerviznél közvetlenül is, míg az előző (i) pont szerinti esetben, azaz 100.000,- Ft eladási ár meg nem haladó termék esetén a 13. hónaptól a 24. hónapig kizárólag a hivatalos szerviznél érvényesíthető. ■ Jótállási jegy hiányában a fogyasztói szerződés megkötését bizonyítottnak kell tekinteni, ha a fogyasztó bemutatja a termék ellenértékének megfizetését hitelt érdemlően igazoló bizonylatot. Mindezek érdekében kérjük tisztelt Vásárlóinkat, hogy őrizzék meg a fizetési bizonylatot is. A jótállási időn belüli meghibásodás esetén a fogyasztó - választása szerint - (i) a hibás termék díjmentes kijavítását vagy kicserélését követelheti, kivéve, ha a választott igény teljesítése lehetetlen, vagy ha az a jótállásra kötelezettnek a fogyasztó által érvényesíteni kívánt másik igény teljesítésével összehasonlítva aránytalan többletköltséget eredményezne, vagy (ii) ha a kötelezett a kijavítást, illetve kicserélést nem vállalata, vagy e kötelezettségének megfelelő határidőn belül, a fogyasztó érdekeit kímélve nem tud eleget tenni, vagy ha a fogyasztónak a kijavításához vagy kicseréléséhez fűződő érdeke megszűnt, akkor a fogyasztó megfelelő árleszállítást igényelhet, vagy a hibát a kötelezett költségére maga kijavíthatja vagy mással kijavíthatja vagy elállhat a szerződéstől. Jelentéketlen hiba miatt

elállásnak nincs helye. A fogyasztó a választott jogáról másra térhet át. Az áttéréssel okozott költséget köteles a jótállásra kötelezettnek megfizetni, kivéve, ha az áttérésre a jótállásra kötelezett adott okot, vagy az áttérés egyébként indokolt volt. ■ Ha a jótállási időtartam alatt a termék első alkalommal történő javítása során megállapított nyer, hogy a termék nem javítható, a fogyasztó eltérő rendelkezése hiányában a termék a megállapítást követő 8 napon belül kicserélésre kerül. Ha a termék cseréjére nincs lehetőség, a fogyasztó által bemutatott, a termék ellenértékének megfizetését igazoló bizonylaton feltüntetett vételárát nyolc napon belül kell a fogyasztó részére visszatéríteni. ■ Ha a jótállási időtartam alatt a termék három alkalommal történő kijavítást követően ismét meghibásodik, a fogyasztó eltérő rendelkezése hiányában, valamint ha a fogyasztó nem igényli a vételár arányos leszállítását, és nem kívánja a termékét a jótállásra kötelezett költségére kijavítani vagy mással kijavíttatni, a termék 8 napon belül kicserélésre kerül. Ha a termék kicserélésére nincs lehetőség, a fogyasztó által bemutatott, a termék ellenértékének megfizetését igazoló bizonylaton feltüntetett vételárát nyolc napon belül kell a fogyasztó részére visszatéríteni. ■ Ha a termék kijavítására a Kijavítási igény közlésétől számított 30. napig nem kerül sor, a fogyasztó eltérő rendelkezése hiányában a termékét a 30 napos határidő eredménytelen eltelte követő nyolc napon belül cserélni kell. Ha a termék cseréjére nincs lehetőség, a fogyasztó által bemutatott, a termék ellenértékének megfizetését igazoló bizonylaton feltüntetett vételárát a 30 napos kijavítási határidő eredménytelen eltelte követő nyolc napon belül kell a fogyasztó részére visszatéríteni. ■ A fogyasztó a hiba felfedezését követően késedelem nélkül, legkésőbb a felfedezéstől számított 2 hónapon belül köteles a hibát közölni. A bejelentés kapcsán kérjük vegye figyelembe, hogy a **jótállási igény kizárólag a jótállási határidőben érvényesíthető! Mindazonáltal a jótállási határidő meghosszabbodik a javításra átadás napjától kezdve azzal az idővel, amely alatt a fogyasztó a terméket a hiba miatt rendeltetészerűen nem használhatta.** Ha a jótállásra kötelezett jótállási kötelezettségének megfelelő határidőben nem tesz eleget, a jótállási igény a fogyasztó erre irányuló felhívásában tűzött megfelelő határidő eltelteitől számított 3 hónapon belül akkor is érvényesíthető bíróság előtt, ha a jótállási idő már eltelt. E határidő elmulasztása jogvesztéssel jár. A jótállási kötelezettség teljesítésével kapcsolatban felmerülő költségek a jótállás kötelezettjét terhelik.

■ A 151/2003. (IX.22.) Korm.rendeletben meghatározott tartós fogyasztási cikk meghibásodása miatt a vásárlástól (üzembe helyezésétől) számított három munkanapon belül érvényesített csereigény esetén a terméket értékesítő vállalkozás nem hivatkozhat aránytalan többletköltségre, hanem köteles a tartós fogyasztási cikket kicserélni, feltéve, hogy a meghibásodás a rendeltetészerű használatot akadályozza (és a csere nem lehetetlen). ■ Kijavítás esetén a fogyasztási cikkbe csak új alkatrészt kerülhet beépítésre. Javítási- vagy csereigény esetén törekedni kell arra, hogy a kijavítás vagy kicserélés 15 napon belül megtörténjen. Ha a javítás vagy a csere időtartama a 15 napot meghaladja, akkor jótállást kell a fogyasztó számára a csere várható időtartamáról. A tájékoztatás a fogyasztó előzetes hozzájárulása esetén elektronikus úton, vagy a fogyasztó általi átvétel igazolására alkalmas más módon történik. A rögzített bektöltésű, illetve a 10kg-nál súlyosabb, vagy tömegközlekedési eszközön kézi csomagként nem szállítható fogyasztási cikket – járművek kivételével – az üzemeltetés helyén kell megjavítani. Ha a javítás az üzemeltetés helyén nem végezhető el, a le- és felszerelésről, valamint az el- és visszaszállításról a jótállás kötelezettje, vagy – a javításhoz közvetlenül érvényesített kijavítási igény esetén – a javítószolgálat gondoskodik.

■ Nem tartozik jótállás alá a hiba és a jótállásra kötelezett mentesül a jótállási kötelezettség alól, ha bizonyítja, hogy a hiba oka a termék fogyasztó részére való átadását követően keletkezett, így például ha a hibát ■ nem rendeltetészerű használat, használati útmutató figyelmen kívül hagyása, helytelen szállítás vagy tárolás, leejtés, rongálás, elemi kár, készüléken kívüli ok (pl. hálózati feszültség megengedettnél nagyobb ingadozása) ■ illetéktelen átalakítás, beavatkozás, nem hivatalos szerviz által végzett szakszerűtlen javítás ■ fogyasztó feladatát képező karbantartási munkák elmulasztása ■ normál, természetesen elhasználódásra visszavezethető (pl. elem lemerülése) vagy üzemszerű kopásnak tulajdonítható meghibásodás okozta. A jótállás a fogyasztó jogszabályból eredő jogait, így különösen a Polgári Törvénykönyv szerinti kellekészettségét és a termékjavításra vonatkozó jogait nem érinti. ■ Tájékoztatjuk, hogy a fogyasztóvédelmi törvényben meghatározott fogyasztói jogvita bíróságon kívüli rendezése érdekében Ön a megyei (fővárosi) kereskedelmi és iparkamarák által működőtestület békéltető testület eljárását is kezdeményezheti (a békéltető testületek elérhetősége: <https://bekteltetes.hu/index.php?id=testuletek>).

Hivatalos szervíz / Autoryzowana sieć serwisowa

revision 01/2021

Fast Hungary Kft.  
2310, Szigetszentmiklós  
Kántor u. 10  
Hungary  
Tel.: + 36/ 23 330 830  
Fax: + 36/ 23 330 8274  
fasthungary@fasthungary.hu  
www.fasthungary.hu

## A kereskedő tölti ki

Megnevezés:.....

Típus:..... Gyártási szám: .....

A termék azonosításra alkalmas részeinek meghatározása (ha alkalmazható):.....

Vásárlást igazoló bizonylat száma:.....

A vásárlás (üzembe helyezés) időpontja: 20..... hó.....nap.

Kereskedő bélyegzője:

Kereskedő aláírása: .....

Kereskedő címe: .....

## Javítás esetén alkalmazandó

### A kereskedő vagy szerviznél történő közvetlen bejelentés esetén a szerviz tölti ki

A jótállási igény bejelentésének időpontja: .....

Javításra átvétel időpontja:.....

Hiba oka:.....

Javítás módja:.....

A termék fogyasztó részére való visszaadásának időpontja:.....

A jótállás – kijavítás időtartamával meghosszabbított – új határideje:.....

Szerviz pecsétje:

Kereskedő pecsétje:.....

## Kicserélés esetén alkalmazandó

A jótállási igény kicseréléssel került rendezésre.

A csere időpontja: .....

Kereskedő bélyegzője:

Tisztelt Fogyasztó!

Köszönjük, hogy termékünket választotta. Cégünk és szervizünk elérhetősége:

**FAST Hungary Kft.** H-2310 Szigetszentmiklós, Kántor út 10. Tel.: 06-23-330-905; 06-23-330-830;

Fax: 06-23-330-827, E-mail: [szerviz@fasthungary.hu](mailto:szerviz@fasthungary.hu)

## Garantijos taisyklės

Šiam gaminii suteikiama 24 mėnesių nuo įsigijimo datos garantija. Garantija apsiriboja žemiau pateikiamomis sąlygomis. Garantija skirta tik gaminiams, skirtiems buitiniam naudojimui. Dėl garantinio remonto priekšas gali kreiptis į pardavėjo parduotuvę, kurioje gaminį pirkė, arba į nurodytus įgaliotus techninės priežiūros centrus. Galutinis naudotojas įsipareigoja pateikti pretenziją nedelsiant po defekto atsiradimo, tačiau tik iki garantijos galiojimo periodo pabaigos. Galutinis naudotojas įsipareigoja bendradarbiauti patvirtinant gaminio defektus, dėl kurių pateikia pretenziją. Priimtas bus tik pilnai sukomplektuotas ir švarus (pagal higienos standartus) gaminys. Jei pretenzija dėl garantinio remonto bus pagrįsta, gaminio garantijos galiojimo periodas bus prailgintas atitinkamai periodu nuo pretenzijos pateikimo datos iki galutinis naudotojas pasims sutaisyti gaminį arba iki datos, kada galutinis naudotojas turėtų pasiimti sutaisytą gaminį. Norėdamas gauti garantinio remonto paslaugas, galutinis naudotojas turi patvirtinti pretenziją pilnai užpildytais sekantiems dokumentais: pirkimo kvitu, garantiniu talonu, instaliavimo sertifikatu. . .

**Garantija netaikoma:** ■ Nukainotoms (brokuotoms) prekėms. ■ Įprastinais susidėvinčioms gaminio dalims ■ Gedimams, atsiradusiems neprofesionaliai ar neteisingai gaminį instaliavus, nesilaikant gaminio naudojimo instrukcijų, naudojant gaminį ne pagal įstatymų numatytus standartus ar įprastinius tokio tipo gaminii naudojimo procesus, naudojant gaminį kitai paskirčiai nei numatyta. ■ Gedimams, atsiradusiems dėl netinkamos ar nepakankamos gaminio priežiūros. ■ Gedimams, atsiradusiems dėl purvo, nenugalimos jėgos aplinkybių (stichinių nelaimių, gaisro, potvynio, . . .) ■ Gedimams, atsiradusiems dėl prastos kokybės signalo, elektromagnetinio lauko trikdžių ir kt. ■ Rodus mechaninių pažeidimų (pvz. sulaužyti mygtukai, kritimo požymiai. . .) ■ Gedimams, atsiradusiems naudojant gaminį su netinkamomis laikmenomis, jungiant prie netinkamų tinklų, dedant į gaminį netinkamus maitinimo šaltinius (baterijas) ar dėl bet kokių kitų netinkamų naudojimo sąlygų (pvz. aukštos temperatūros, didelės drėgmės, žemės drebėjimų. . .) ■ Nustačius, kad gaminys taisytas, modifikuotas ar ardytas neįgaliotų tai daryti asmenų. ■ Jei galutinis naudotojas neturi visų reikalingų dokumentų, įrodančių jo teisę į garantinį remontą (pvz. dokumento, kur būtų nurodytas gaminio įsigijimo laikas ir vieta). ■ Jei data pateiktuose dokumentuose skiriasi nuo datos ant gaminio.

## Warunki gwarancji

Produkt objęty jest 24 – miesięczną gwarancją, począwszy od daty zakupu przez klienta. Gwarancja jest ograniczona tylko do przedstawionych dalej warunków. Gwarancja obejmuje tylko produkty zakupione w Polsce i jest ważna tylko na terytorium Rzeczpospolitej Polskiej. Gwarancja obejmuje tylko produkty funkcjonujące w warunkach gospodarstwa domowego (nie dotyczy produktów oznaczonych jako „Professional”). Zgłoszenia gwarancyjne można dokonać w autoryzowanej sieci serwisowej lub w sklepie, gdzie produkt został nabyty. Użytkownik jest zobowiązany zgłosić usterkę niezwłocznie po jej wykryciu, a najpóźniej w ostatnim dniu obowiązywania okresu gwarancyjnego. Użytkownik jest zobowiązany do przedstawienia i udokumentowania usterki. Tylko kompletne i czyste produkty (zgodnie ze standardami higienicznymi) będą przyjmowane do naprawy. Usterki będą usuwane przez autoryzowany punkt serwisowy w możliwie krótkim terminie, nieprzekraczającym 14 dni roboczych. Okres gwarancji przedłuża się o czas pobytu sprzętu w serwisie. Klient może ubiegać się o wymianę sprzętu na wolny od wad, jeżeli punkt serwisowy stwierdzi na piśmie, że usunięcie wady jest niemożliwe. Aby produkt mógł być przyjęty przez serwis, użytkownik jest zobowiązany dostarczyć oryginały: dowodu zakupu (paragon lub faktura), podbitej i wypełnionej karty gwarancyjnej, certyfikatu instalacji (niektóre produkty).

### Gwarancja zostaje unieważniona, jeśli:

■ usterka była widoczna w chwili zakupu, ■ usterka wynika ze zwykłego użytkowania i zużycia, ■ produkt został uszkodzony z powodu złej instalacji, niezastosowania się do instrukcji obsługi lub użytkowania niezgodnego z przeznaczeniem, ■ produkt został uszkodzony z powodu złej konserwacji lub jej braku, ■ produkt został uszkodzony z powodu zanieczyszczenia, wypadku lub okoliczności o charakterze sił wyższych (powódź, pożar, wojny, zamieszki itp.) ■ produkt wykazuje złe działanie z powodu słabego sygnału, zakłóceń elektromagnetycznych itp., ■ produkt został uszkodzony mechanicznie (np. wylamany przycisk, upadek, itp.), ■ produkt został uszkodzony z powodu użycia niewłaściwych materiałów eksploatacyjnych, nośników, akcesoriów, baterii, akumulatorów itp. lub z powodu użytkowania w złych warunkach (temperatura, wilgotność, wstrząsy itp.), ■ produkt był naprawiany lub modyfikowany przez nieautoryzowany personel, ■ użytkownik nie jest w stanie udowodnić zakupu (nieczytelny paragon lub faktura), ■ dane na przedstawionych dokumentach są inne niż na urzędzeniu, ■ produkt nie może być zidentyfikowany ze względu na uszkodzenie numeru seryjnego lub plomby gwarancyjnej.

Uab „Senuka Prekybos  
Centras“ Garantinis Servisas  
Jonavos G. 62, Lt-44192,  
Kaunas, Lithuania  
Tel.: +370 37 212 146  
Tex.: +370 37 212 165  
garrem@senukai.lt  
www.senukai.lt

Fast Poland, Sp. z o.o.  
Sokołowska 10  
PL 05-090 Puchały  
Poland  
Tel.: +48 500 116 777  
Fax: +48 22 869 96 13  
fastpoland@fastpoland.pl  
www.fastpoland.pl

**20V** LITHION  
**FASTPOWER**



 **FIELDMANN**<sup>®</sup>  
Home & Garden Performance