



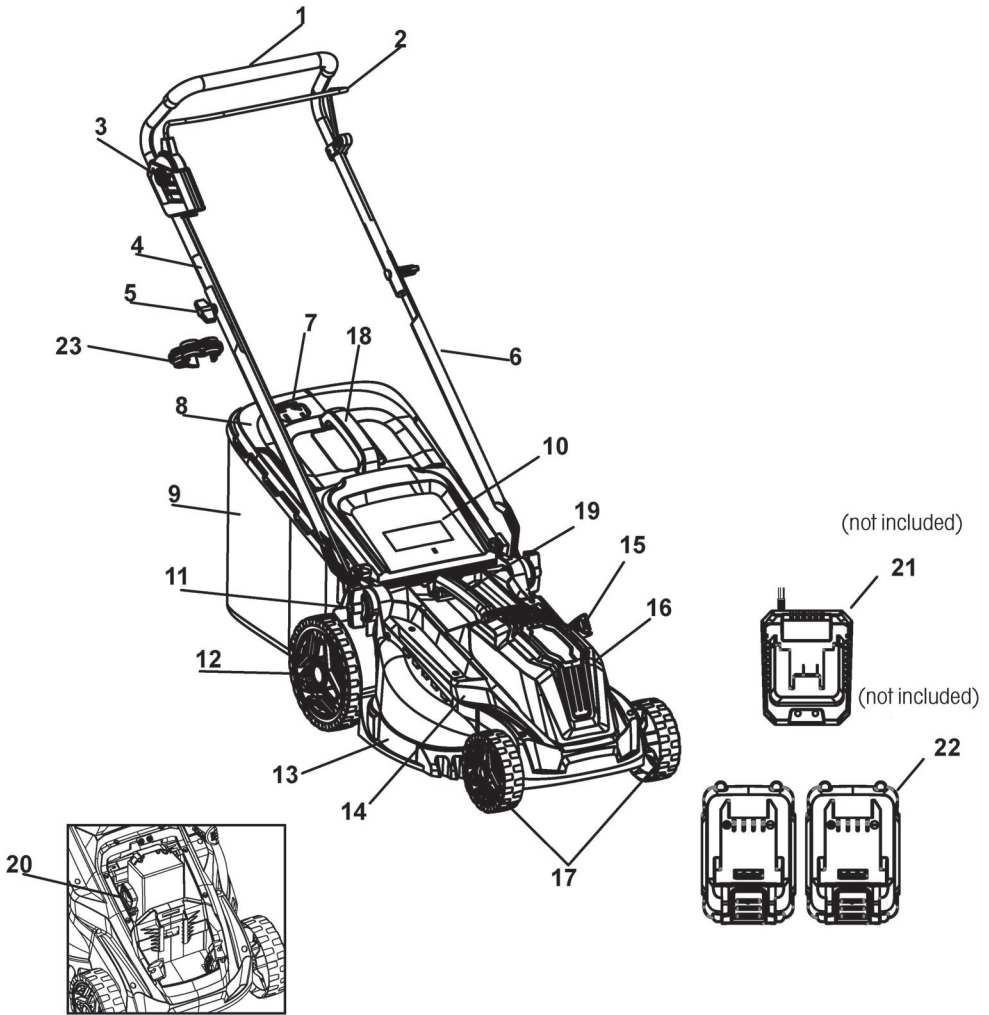
FIELDMANN[®]
Home & Garden Performance

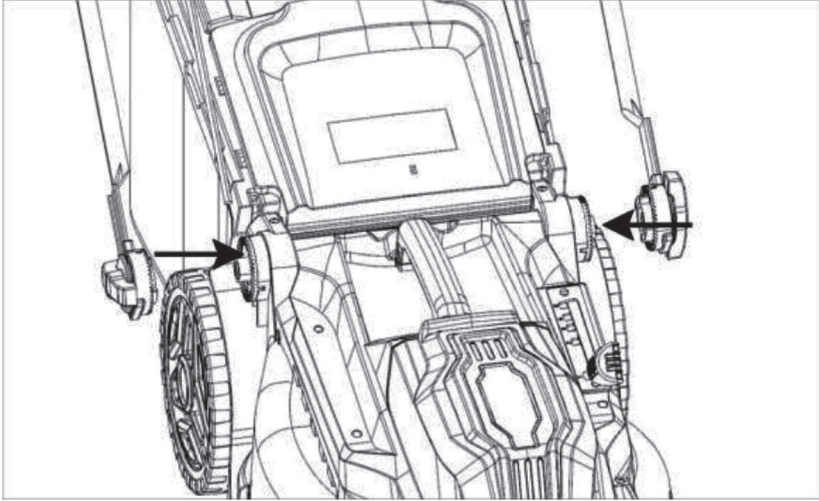
20V_{LITHION}
FASTPOWER

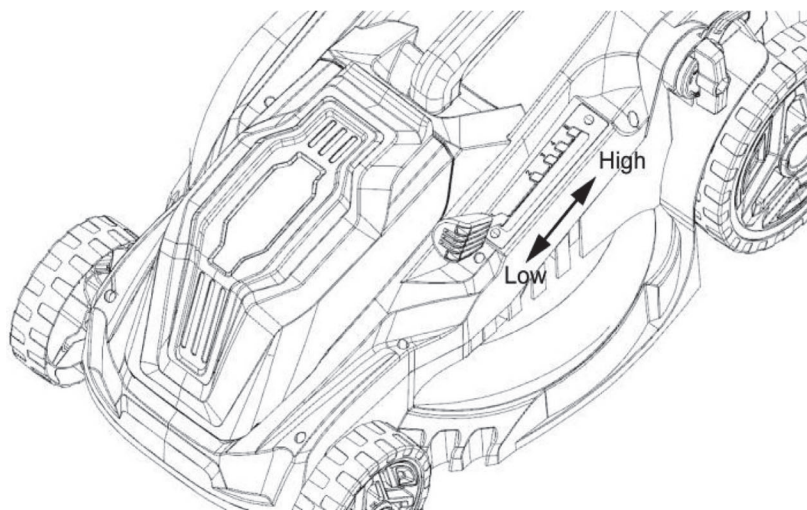


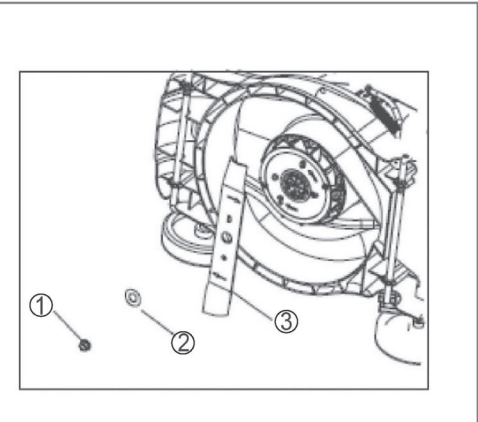
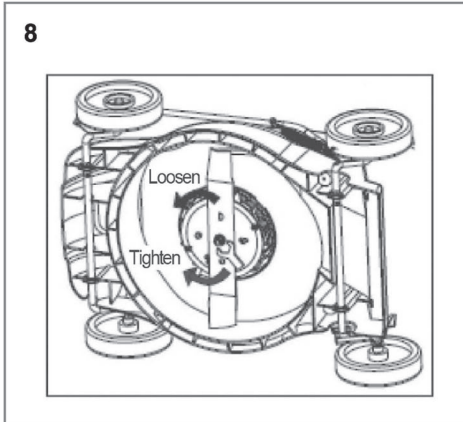
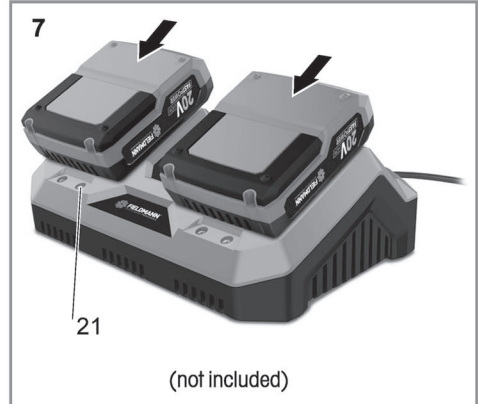
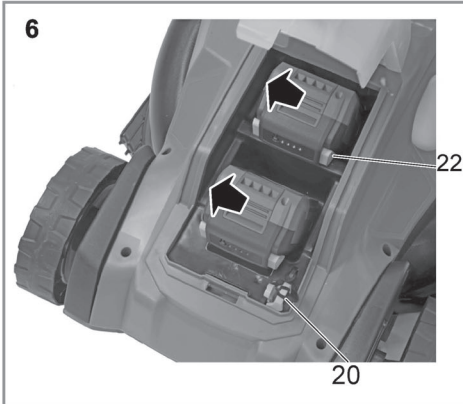
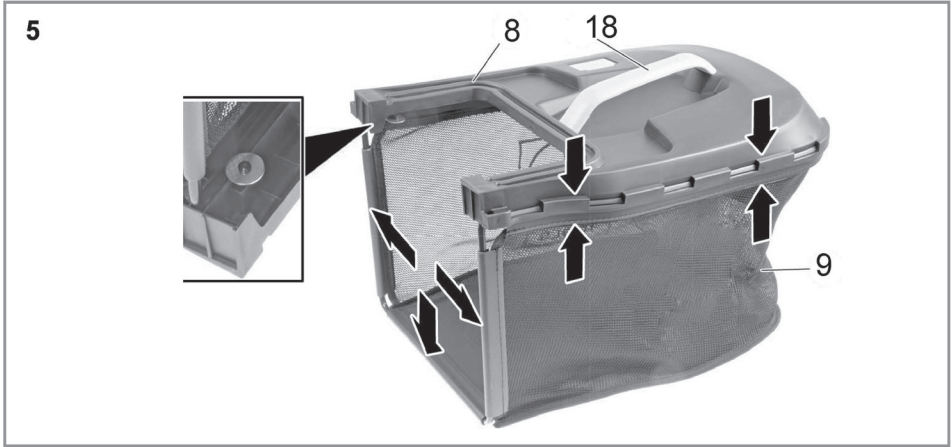
FZR 70385-0

English	1-24
Čeština.....	26-42
Slovenčina	43-60
Magyarul	61-78
Polski	79-96









CORDLESS LAWN MOWER 38CM

INSTRUCTIONS FOR USE

**Thank you for purchasing this cordless lawn mower.
Before you start using it, please read this user manual carefully and save it for future use.**

TABLE OF CONTENTS

Instructions for use	7
1. GENERAL SAFETY REGULATIONS.....	8
2. SYMBOLS	9
3. DESCRIPTION.....	10
4. BASIC WORK SAFETY	10
5. ASSEMBLY AND OPERATION.....	14
7. TECHNICAL SPECIFICATIONS.....	21
8. TROUBLESHOOTING.....	22
9. MAINTENANCE	23
10. DISPOSAL	24

1. GENERAL SAFETY REGULATIONS

IMPORTANT SAFETY NOTICE


- ✿ Unpack the product carefully and do not throw away any of the packaging until you have found all the parts of the product.
- ✿ Store the product in a dry place out of reach of children.
- ✿ Read all the warnings and instructions. Failure to comply with the warnings and instructions may lead to electric shock, fire and/or serious injuries.

PACKAGING

The product's packaging prevents damage during transport. This packaging is a resource and can be recycled.

USER MANUAL

Before starting to work with the machine, please read the following safety regulations and instructions for use. Get familiar with the controls and correct use of the equipment. Keep the user's manual in a safe place for easy future reference. Save the original packaging, including the internal packing material, guarantee card and proof of purchase receipt for at least the time of the guarantee. If you need to transport this power tool, pack it in the original cardboard box for maximum protection during shipping or transport (e.g. when moving or when you need to send this power tool to a service centre for repair).

 **Note:** If you hand over the appliance to somebody else, do so together with this user's manual. Make sure you use the appliance properly by following the instructions in the included User manual. The user's manual also contains operating, maintenance, and repair instructions.

The manufacturer assumes no responsibility for accidents or damages arising from failure to comply with these instructions.

2. SYMBOLS



Risk of injury due to cutting mechanism!
Never reach into the cutting mechanism.



Use eye protection.



Observe the safety instructions before using the product for the first time.



Use ear protection.



Keep other persons in distance!
WARNING! When operating the device, take care that no other persons are nearby (safe distance: 5m).
This is particularly valid for children and animals.



Be careful of the sharp blade edges.



Danger of injury!
Beware of hurled-away objects.
Keep bystanders away.



Be careful of the sharp blade edges. The blades continue to rotate even after the motor is turned off.



Read the Instruction Manual attentively prior to use.



Protect the tool from the damp and never expose it to rain!



Guaranteed sound power level Lwa 96 dB (A)



Before doing any maintenance and repair work disconnect the circuit breaker from the lawn mower.

3. DESCRIPTION

1. Grip handle with foam
2. Start lever
3. Switch box
4. Upper handle
5. Wing nut (x2)
 - a. Washer (x2)
 - b. Mounting bolt (x2)
6. Lower handle
7. Grass indicator
8. Grass collector top cover
 - a. Frame of grass collector
 - b. Screws (x1)
9. Grass bag
10. Rear flap
11. Handle support assembly
 - a. Angle adjustment wheel (x2)
 - b. Screw (x4)
 - c. Fix wheel (x2)
 - d. Screw with washer assembly (x4)
12. Rear wheel (x2)
 - Rear wheel cap (x2)
13. Deck
14. Upper cover
15. Lever for cutting height adjustment
16. Battery cover
17. Front wheel (x2)
 - Front wheel cap (x2)
18. Grass collector handle
19. Carry handle
20. Safety key
21. Charger (not included)
22. Battery pack (not included)
23. Wire clip

4. BASIC WORK SAFETY

IMPORTANT ACCUMULATOR SAFETY INSTRUCTIONS

- ⚠ Batteries are a chemical source of electrical energy, containing chemical compounds that can cause injury to health, property or the environment. Therefore, handle them with caution.
- ⚠ The battery is ready to supply power at any time, even in undesirable circumstances!
- ⚠ **ATTENTION!** even with a partially charged battery, a short circuit may occur and damage it. In the worst case, it may cause an explosion or fire. Therefore, always treat batteries in a way that prevents short circuits (e.g. with paper clips, coins, keys, nails, screws or other small metal objects)!
Even when stored.
- ⚠ Use only batteries recommended by the device manufacturer.
- ⚠ The battery must not be stored or operated near an open flame. It must also not be thrown into the fire.
- ⚠ Do not dispose of old batteries into regular household waste.
- ⚠ Also, never touch the blades until the machine is disconnected from the power source and until the blades completely stop.
- ⚠ Disconnect the device from the power supply (i.e. remove the battery from the machine):
 - If you need to leave the machine without supervision
 - If you have to leave the machine unsupervised
 - Before every inspection, every cleaning or repairs
 - If you hit a foreign body when working with it
 - If the machine vibrates excessively.
- ⚠ Read carefully the basics of working safely with the machine and the user's manual.
- ⚠ This machine must not be operated by anyone with limited physical, sensory or mental abilities (including

children). Furthermore, it must not be used by inexperienced people who do not have the technical knowledge to operate it. These people must be supervised by a competent person or instructed about the basics of work safety.

- ✿ If children are near the machine, make sure they do not play with it.
- ✿ Tingling or numb hands are indications of excessive vibrations.
If this happens, shorten the work cycle, take sufficiently long breaks, share the work among several people or if the lawnmower is used for long periods wear special anti-vibration gloves.
- ✿ An unavoidable consequence of using the lawnmower is the noise when it is running. Therefore, only do noisy work during dedicated hours, or when this type of activity is normal. Respect quiet times and try to limit the work to the shortest possible time.
We also recommend that you and persons near the lawnmower wear ear protectors.

IMPORTANT SAFETY INSTRUCTIONS FOR BATTERY CHARGER

⚠ ATTENTION! Danger of injury by electric shock!

⚠ ATTENTION! Check the charger, cable and plug before each use. If damage is found, the charger must not be used.

⚠ ATTENTION! Before use, read all instructions and warnings on the charger and battery case.

- ✿ Do not expose the charger to rain, snow or moisture. The entry of water into the battery charger increases the danger of injury by electrical shock.
- ✿ To reduce the risk of damage to the plug and the power cord, always unplug the power cord by pulling on the plug (never pull the cord).
- ✿ Make sure that the cable is positioned so that no one is stepping on it, that no one trips over it or is otherwise damaged.
- ✿ Never charge the battery in an explosive atmosphere and near flammable substances. In a flammable environment. Do not operate on lightly flammable surfaces (e.g. paper, textiles, etc.).
- ✿ Do not disassemble the charger. If it needs to be replaced or repaired, take it to an authorized service centre. Failure to do so may result in electric shock or fire.
- ✿ NEVER store or use the charger in places where the temperature may reach or exceed 50° C (such as porches, cars, etc.).
- ✿ Check that the mains voltage is within the range required by the charger manufacturer. The circuit must be adequately current protected.

OTHER RISKS

⚠ ATTENTION! In the event of mechanical damage to the battery compartment, avoid contact with chemicals that may leak from it. In case of contact with chemicals, rinse immediately with clean water. In case of extensive contact or chemical burn or eye contact, seek medical attention as soon as possible.

- ✿ Despite our products being designed to meet the valid technical standards and safety directives, there are still some risks to the user from using the machine:
 - Stones and other fragments may fly out of the mowing deck.
 - If the machine operator does not use ear protectors, then they risk subsequent deafness.
 - Injured fingers during blade maintenance
 - Inhaling grass clipping particles

- Electric shock from un-insulated parts.
- ✿ This machine must not be operated by those with limited physical, sensory or mental abilities (including children) or inexperienced persons or persons whose technical knowledge is evidently insufficient for the given task; and these people should only operate the device under the supervision of a person that is competent for this task or where the person is thoroughly instructed in working safely with the machine.
- ✿ If children are near the machine, make sure they do not play with it.

⚠ ATTENTION! Carefully read the user manual before using this lawn mower. Make sure that you thoroughly know all the control elements. Following the work safety rules for the machine minimises the risk of fire, electric shock or other injuries.

- ✿ Keep the user manual carefully in case it is needed.
- ✿ If the machine is incorrectly operated it could cause an injury. The lawnmower could cause serious injury to the user and those nearby and therefore these work safety rules should always be followed to eliminate this risk if possible.
The user is responsible for safety when working with the machine. Never use the machine if any of its safety items are missing or not in full working order.

BEFORE YOU START USING THE LAWN MOWER

- ✿ Carefully read all the instructions provided in this user manual. Thoroughly get to know the machine's control elements and the basics for correct use.
- ✿ Never let children or anyone who you are not certain know the controls and the work safety rules for this machine operate it on their own. The national legislation may also stipulate a minimum age limit for operating this type of machine. Please read the laws governing this area in your country.
- ✿ Never use the lawnmower if people, particularly children or household pets, are moving nearby.
- ✿ Always remember that the user is fully responsible for injuries or damage to property caused by operating this machine.

PREPARING FOR OPERATION

- ✿ When working with the machine wear suitable footwear and long trousers. Never operate the lawnmower barefooted or in sandals.
- ✿ Before starting work, inspect the ground and remove any items that could be deflected by the machine.

⚠ ATTENTION! Before every use of the machine, make sure that the blade, its mounting pin and the lawn mower body in general is not damaged or excessively worn. Always replace a damaged or worn out part, of which there are sets on the machine, with an entire set to prevent imbalance.

OPERATION

- ✿ Only operate the machine during daylight or sufficient artificial lighting.
- ✿ If possible, do not mow wet grass.
- ✿ Make sure that during work you always have a firm support and a secure stance.
- ✿ Do not run when pushing the mower - walk normally.
- ✿ The following general rules apply for work with the lawn mower: When mowing on a slope, do not move up

and down but always along the contours, i.e. horizontally perpendicular to the incline of the slope.

- ✿ Be very careful when changing direction on a slope.
- ✿ Never use the lawn mower on extremely steep slopes.
- ✿ If you need to pull the lawnmower towards you while it is running or if you need to move backwards with the lawnmower, be very careful.
- ✿ Always stop the blades from turning when transporting the machine or moving over an un-grassed area.
- ✿ Never use the machine if any covers are damaged or if any of its safety elements are missing such as deflectors or grass catchers.
- ✿ Always start the motor as described in the user manual, and make sure to keep your feet away from the blades.
- ✿ Never tilt the machine when starting the motor unless it is really essential to start it. In this case, turn the side of the lawnmower that is farther away from you upwards.
- ✿ Never put your hands or feet under the lawnmower, in particular near to the moving parts. Never cover the grass ejection chute.
- ✿ Never transport the machine if the motor is still running.
- ✿ Always stop the engine first and remove the battery from the machine; only then can the faults be removed or the grass catcher be emptied.
 - Proceed in the same way before every inspection, cleaning or repair of the machine.
 - If you hit a foreign body make sure the lawnmower has not been damaged, and if it has repair the damage before starting the motor again.
 - Or if the machine starts to vibrate more than unusual (immediately check the machine!)
- ✿ Stop the motor whenever you move away from the machine.

MAINTENANCE AND STORAGE

- ✿ Always make sure that all nuts, pins and bolts are securely tightened so that the machine operates safely.
- ✿ Regularly check the grass catcher for damage or excessive wear and tear.
- ✿ Immediately replace worn out or damaged parts. This will help your lawnmower to operate safely.
- ✿ When setting adjustable elements, take care not to clamp your fingers between the moving blades and the fixed part of the machine. Let the motor cool down before storing the lawnmower in an enclosed area.

5. ASSEMBLY AND OPERATION

UNPACKING

- ✿ Unpack all parts and lay them on a flat, stable surface.
- ✿ Remove all packing materials and shipping devices if applicable.
- ✿ Make sure the delivery contents are complete and free of any damage. If you find that parts are missing or show damage do not use the product but contact your dealer. Using an incomplete or damaged product represents a hazard to people and property.
- ✿ Ensure that you have all the accessories and tools needed for assembly and operation. This also includes suitable personal protective equipment.

⚠ WARNING! The product and the packaging are not children's toys!
Children must not play with plastic bags, sheets and small parts! There is a danger of choking and suffocation!

YOU WILL NEED / BEFORE YOU START

(items not supplied)

Suitable personal protective equipment

Suitable cross-head driver


Suitable wrench

battery pack (22) and battery charger (21)

(items supplied)


Grass collector (7,8,9,18)

 **Note:** The accessories required depend on the intended application. Ask your dealer for advice.

 **Note:** Parts marked with * are not shown in this overview. Please refer to the respective part in the instruction manual.

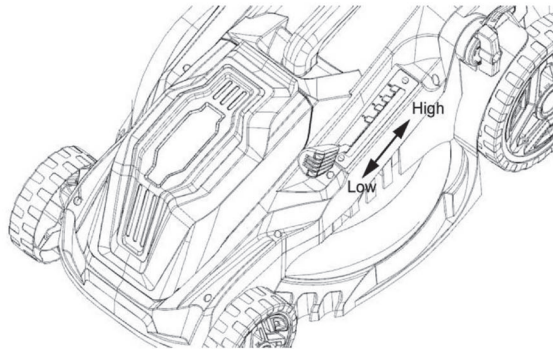
SET UP

⚠ WARNING! Do not use a product that is only partly assembled or assembled with damaged parts!
Follow the assembly instructions step-by-step and use the pictures provided as a visual guide to easily assemble the product!
Do not connect the product to battery pack (22) before it is completely assembled!

 **Note:** Take care of small parts that are removed during assembly or when making adjustments. Keep them secure to avoid loss.

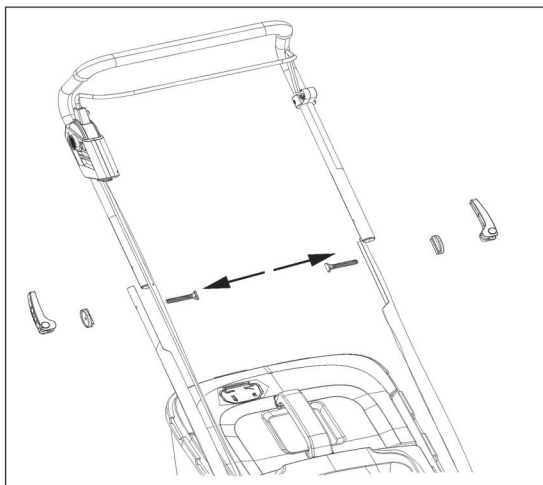
LOWER HANDLE

- ✿ Put the main unit (13) on the ground.
- ✿ Connect the lower handle (6) with the Handle support assembly (11): mount a angle adjustment wheel (11-a) to the lower handle (6) with 2 screws (11-b). The lower handle (6) is fixed on the main unit (13) through the engagement of a angle adjustment wheel (11-a) and a fixed wheel (11-c).



UPPER HANDLE

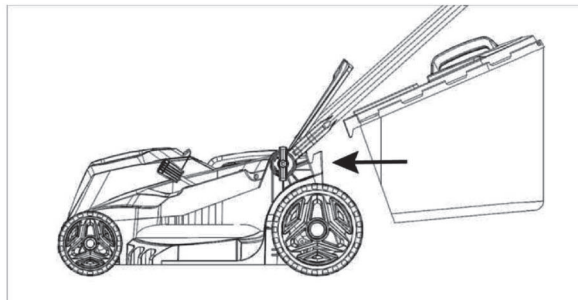
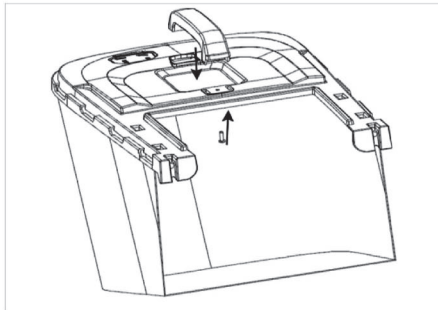
- ✿ Hold the upper handle (1) with the start lever (2) facing upwards. Align the mounting holes of the upper handle (1) and the lower handle (6).
- ✿ Pass the mounting bolts (5-b) through the mounting holes of the upper handle (1) and the lower handle (6), washer (5-a) to the end, fasten the bolt (5-b) with the wing nut (5).
- ✿ Make sure the electrical cord run on the handles.
- ✿ Fix the electrical cord with the wire clip (23) on the lower handles (6).



GRASS CATCHER

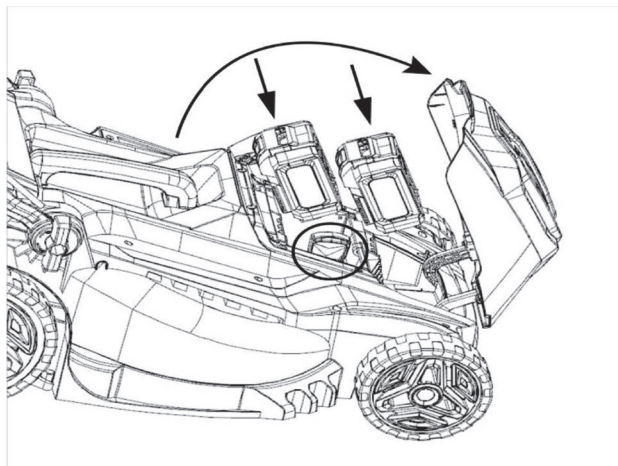
- ✿ Match the grass bag (9) with grass frame (8-a), and insert the grass collector handle (18) into the top cover (8), with a screw (8-b) to fasten.
- ✿ Open the rear flap (10) and hold it in position.
- ✿ Carefully release the rear flap(10) afterwards.

 **Note:** Always carry the grass collector by its handle (18).



BATTERY PACK ATTACHING THE BATTERY PACK

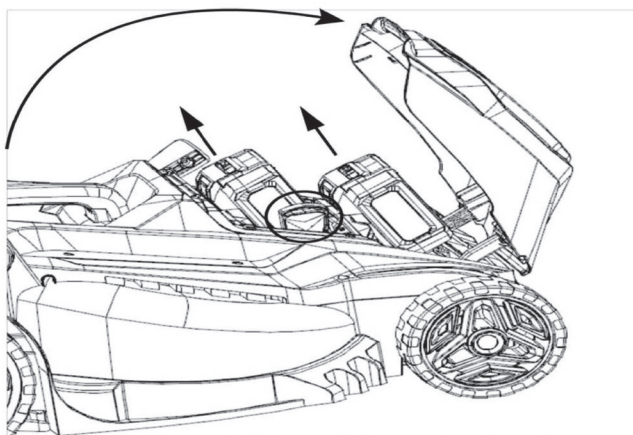
- ✿ Pull open the battery cover (16).
- ✿ Unplug the safety key (20) and keep it hanging by its string .
- ✿ Slide the battery pack (22) into the slots of the battery compartment.
- ✿ Make sure that the electrical contacts are fully inserted into the battery pack (22) and that it snaps in place with a click.
- ✿ The battery pack (22) can only be installed in one direction.
- ✿ Reinstall the safety key (20) into its slot .
- ✿ Close the battery cover (16) .



RELEASING THE BATTERY PACK

The battery pack (22) can't be charged whilst in the mower. Remove the battery pack (22) from its battery compartment or spare battery compartment for charging.

- ✿ Pull open the battery cover (16).
- ✿ Squeeze the release button to unlock the latch of battery pack (22).
- ✿ Slide out the battery pack (22) from the battery compartment.
- ✿ Close the battery cover (16).



CHARGING THE BATTERY PACK

The battery pack (22) for this product has been shipped in a low charge condition. Charge it fully before first use.

CONNECT BATTERY PACK

- ✿ Make sure the start lever (2) is released and safety switch button is not pressed.
- ✿ Attach the battery pack (22) to the product. Ensure it snaps in place.
- ✿ Insert the safety key (20) into its slot fully.
- ✿ Your product is now ready to be used.

INTENDED USE


This cordless lawn mower is designated with a rated voltage of 40V . It is designed only to be used with the battery pack which is listed in the chapter of "Technical specifications".

The product is intended for mowing grass in domestic gardens only.

It must not be used to mow unusually high, dry or wet grass, e.g. pasture grass, or to shred leaves. For safety reasons it is essential to read the entire instruction manual before first operation and to observe all the instructions therein. This product is intended for private domestic use only, not for any commercial trade use. It must not be used for any purposes other than those described.

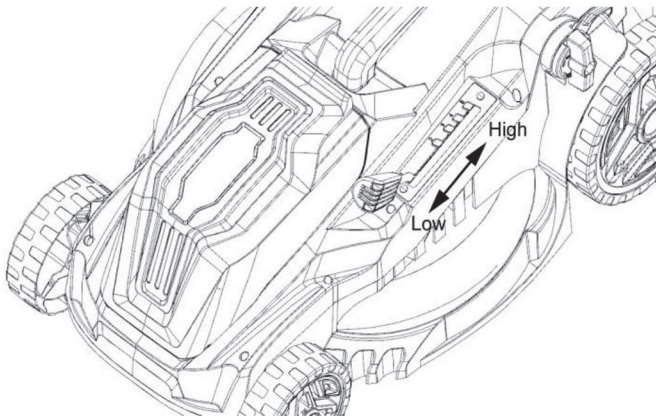
CUTTING HEIGHT ADJUSTMENT

 **Note:** There are 5 cutting height levels (30-75mm) available.

 **WARNING!** Switch the product off and wait that the cutting blade had come to a complete stop before adjusting the cutting height! Remove the safety key (20) before adjusting the cutting height!

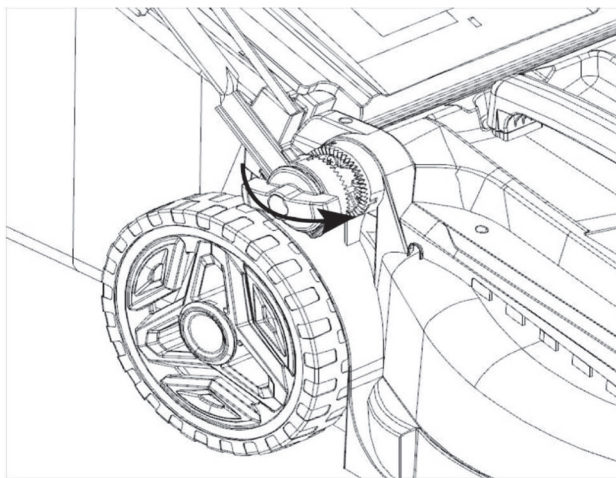
Adjust the cutting height according to the needs of your lawn. The cutting height depends on the kind of lawn and its actual height. When mowing high grass, start with the maximum cutting height and make a second cut with a lower cutting height.

- ✿ Pull the lever (15) towards the rear wheel (12) .
- ✿ Move forward or backward to adjust the cutting height .
- ✿ Release the lever (15) and ensure it engaged in the slot properly



HANDLE BAR ADJUSTMENT

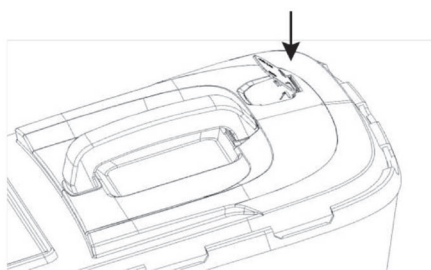
- ✿ Loosen the angle adjustment wheel (11-a) anti-clockwise but do not remove them .
- ✿ Grasp the grip handle (1) and adjust to a comfortable position for the user.
- ✿ Tighten the angle adjustment wheel (11-a) clockwise afterwards.



GRASS INDICATOR

The grass collector is equipped with a hatch that indicates the filling during operation.

- ✿ When the hatch is opened, indicator (7) is blown up by airflow, which means the grass collector has sufficient volume left to collect grass.
- ✿ When the hatch is closed, the grass collector is full and must be emptied.



 **Note:** A full grass catcher will reduce the performance of this product.

EMPTYING

Empty the grass collector frequently during use. Do not wait until it is completely full. We recommend emptying it when it is half full.

A full grass catcher will reduce the performance of this product. Switch the product off and make sure that the motor has stopped and the cutting blade has stopped rotating.

- ✿ Lift the rear flap (10) and lift the grass collector off the hooks
- ✿ Remove the grass clippings from the rear discharge chute into the grass collector. Use a proper tool such as a brush.
- ✿ Remove the grass collector by its carry handle .
- ✿ Empty the grass clippings onto a compost heap.
- ✿ Re-fit the grass collector to the product.

GENERAL OPERATION

- ✿ Check the product, its battery pack and charger as well as accessories for damage before each use. Do not use the product if it is damaged or shows wear. Take care of any problem you find or have the product checked by qualified specialist.
- ✿ Double check that accessories or attachments are properly fixed.
- ✿ Always push the product using the grip handle (1). Keep the handles dry to ensure safe support.
- ✿ Ensure that the air vents are always unobstructed and clear. Clean them if necessary with a soft brush. Blocked air vents may lead to overheating and damage the product.
- ✿ Switch the product off immediately if you are disturbed while working by other people entering the working area. Always let the product come to complete stop before putting it down.
- ✿ Do not overwork yourself. Take regular breaks to ensure you can concentrate on the work and have full control over the product.

STARTING/STOPPING

⚠ WARNING! Before starting, put the product on a flat surface free of high grass! Clean the underside of the deck! Start the motor carefully according to instructions. Keep your feet well away from the cutting blade !Do not tilt the product when starting the motor.

- ✿ Install the battery pack (22) into the battery compartment .
- ✿ Insert the safety key (20) into the slot fully .
- ✿ Close the battery cover (16) and stand behind the grip handle (1).
- ✿ While holding the safety switch button (3) pressed , pull the start lever (2) towards the grip handle (1) .
- ✿ After the mower starts, release the safety switch button (3).
- ✿ The product begins mowing.
- ✿ Release the start lever (2) to stop the mower.

7. TECHNICAL SPECIFICATIONS

General	FZR 70375-0
Rated voltage	2x20V
Rated no load speed n0	2800-3400 min ⁻¹
Max. cutting width	38 cm
Cutting height range	30-75 mm, 5 levels
Grass catcher volume	42 l
Wheel size	140 (front) / 178 (rear) mm
Weight	approx. 11.5 kg

ACCESSORIES

Item number	Accessory
FDUZ 79020	Battery pack 2 Ah
FDUZ 79040	Battery pack 4 Ah
FDUZ 79100	Fast charger
FDUZ 79110	Fast dual charger

8. TROUBLESHOOTING

⚠ DANGER! Risk of injury! Unprofessional repairs may mean that your unit will no longer operate safely. This endangers you and your environment.

Malfunctions are often caused by minor faults. You can easily remedy most of these yourself. Please consult the following table before contacting the vendor. You will save yourself a lot of trouble and possibly money too.

Error/Fault	Cause	Remedy
Device does not work.	Battery pack discharged?	Charging the battery pack
	Battery pack defective?	Contact your local vendor.
Unit does not switch on.	Did you wait for the delay?	Wait for the switch on delay of 2 seconds.
The mower cuts grass unequally.	The lawn is ragged or bumpy. The mowing height is not set properly.	Check the mowing area. Move the float to a higher position.
Strange noise.	Screws/parts come loose?	Tighten screws.
	Foreign objects in the blades?	Remove foreign objects.
	Blade damaged?	Have blade sharpened, or replace.
Cut result is not sufficient.	Blade is blunt?	Have blade sharpened, or replace.

If you can't fix the fault yourself, contact your nearest vendor. Please be aware that any improper repairs will also invalidate the warranty and additional costs may be incurred.

9. MAINTENANCE

⚠ ATTENTION! Always switch off the mower and remove the battery before removing the grass catcher.

📖 Note: We recommend regularly carrying out the maintenance below, this will increase the lifetime and reliability of the machine.

- ✿ Regularly visually inspect the machine for defects such as a loose blade, blade installed upside down, blade damage or damaged or excessively worn parts.
- ✿ Also regularly check that the protective covers and protective elements are not damaged and are properly placed.
- ✿ Before using the machine, carry out all necessary repairs and maintenance.
- ✿ If, despite regular maintenance, the machine does not work, please contact our customer service, the repair should be carried out by our contractual partner in one of the specialised Fieldmann workshops.

9.1 REPLACING THE BLADE

- ✿ For this task, we recommend that you contact an authorised service centre.
- ✿ Always use original spare parts.

⚠ Important! Always disconnect the mower from the battery and check that the engine is switched off before inspecting the blades.

⚠ ATTENTION: Remember that the blade still rotates several seconds after the motor is turned off. Never attempt to stop the blade. In regular intervals, check that the blade is securely fastened, in good condition and sharp. If necessary, sharpen or replace it.

In the event that the blade hits an object while mowing, turn the lawnmower off and wait until the blade comes to a stop. Then check the condition of the blade and its fastening bolts.

If these are damaged or if they have been lost then they must be replaced without delay.

⚠ Important! Use protective gloves when working.

Loosen the bolt holding the blade (using the appropriate wrench) by turning anticlockwise, remove the blade and replace it with a new one. Check that the new blade is installed in the correct direction. Tighten the screw by turning clockwise.

9.2 BATTERY CARE

Storage after the season

For optimal performance, we recommend that you charge the battery every two months while not in use.

⚠ ATTENTION: Fully charge the battery before storing.

⚠ ATTENTION: Do not store the battery in places where the temperature drops below 10° C

10. DISPOSAL



The machine, rechargeable batteries, accessories and packaging should be sorted for environmentalfriendly recycling.

Do not dispose of power tools and batteries/rechargeable batteries into household waste!

Only for EC countries:



According to the European Guideline 2012/19/EU, power tools that are no longer usable, and according to the European Guideline 2006/66/EC, defective or used battery packs/batteries, must be collected separately and disposed of in an environmentally correct manner.

INSTRUCTIONS AND INFORMATION ON DISPOSING OF USED PACKAGING MATERIALS

Put any used package material to the place determined by the municipality for waste disposal.

DISPOSAL OF USED ELECTRIC AND ELECTRONIC EQUIPMENT



This symbol on products or accompanying documents means that used electric or electronic products must not be put to ordinary municipal waste. Hand over such products to determined collection points for proper disposal, restoration and recycling. Alternatively, in some countries of the European Union or other European countries you can return your products to your local dealer when you buy an equivalent new product. By dutiful disposal of this product you can preserve precious natural resources and you help prevent any potential adverse effects on the environment and human health which could be the results of wrong waste disposal. Ask your local authority or the nearest collection point for additional details. In case of improper disposal of this waste kind penalties can be imposed in accordance with national regulations.

For companies in the European Union countries

Should you want to dispose of electric and electronic devices, ask your dealer or vendor for necessary information. Disposal in other countries outside the European Union. Should you want to dispose of this product, ask your local authorities or your dealer for necessary information about disposal method.



This product fulfils all basic requirements of the EU directives that apply to it.

Text, design and technical specifications can change without prior notice and we reserve the right for their change.

User manual in the original language.

AKUMULÁTOROVÁ SEKAČKA NA TRÁVU 38 CM

POKYNY PRO POUŽITÍ

Děkujeme vám za zakoupení této akumulátorové sekačky na trávu.

Než ji začnete používat, pečlivě si přečtěte tuto uživatelskou příručku a uschovejte ji pro pozdější použití.

OBSAH

1. VŠEOBECNÉ BEZPEČNOSTNÍ PŘEDPISY.....	27
2. SYMBOLY	28
3. POPIS.....	29
4. ZÁKLADY BEZPEČNOSTI PŘI PRÁCI.....	29
5. SESTAVENÍ A POUŽÍVÁNÍ	33
6. ŘEŠENÍ PROBLÉMŮ.....	41
7. ÚDRŽBA	42
8. LIKVIDACE.....	43



1. VŠEOBECNÉ BEZPEČNOSTNÍ PŘEDPISY

DŮLEŽITÉ BEZPEČNOSTNÍ UPOZORNĚNÍ


- ☛ Opatrně produkt vybalte a nevyhazujte žádnou část obalu dřívě, než nenajdete všechny díly produktu.
- ☛ Uložte tento produkt na suchém místě mimo dosah dětí.
- ☛ Přečtěte si všechna varování a pokyny. Nedodržování těchto varování a pokynů může mít za následek úraz elektrickým proudem, požár a/nebo vážná zranění.

BALENÍ

Tento produkt je dodáván v obalu zabraňujícím jeho poškození během přepravy. Tento obal představuje druhothnou surovinu, kterou je možno recyklovat.

UŽIVATELSKÁ PŘÍRUČKA

Před zahájením práce s tímto zařízením si prosím přečtěte následující bezpečnostní předpisy a pokyny pro používání. Důkladně se seznamte s ovládacími prvky a správným používáním tohoto zařízení. Uložte tuto uživatelskou příručku na bezpečné místo pro snadné pozdější použití. Alespoň po dobu platnosti záruky uschovejte originální obal včetně vnitřního obalového materiálu, záručního listu a dokladu o zakoupení. Pokud potřebujete toto elektrické nářadí přepravit na jiné místo, zabalte jej do originální lepenkové krabice, aby byla zajištěna jeho maximální ochrana během manipulace a přepravy (například při stěhování nebo při odesílání tohoto elektrického nářadí do servisního střediska za účelem opravy).

 **Poznámka:** Budete-li zařízení předávat jiné osobě, přiložte k němu tuto uživatelskou příručku. Zajistěte, aby bylo vaše zařízení používáno správně, podle pokynů v dodávané uživatelské příručce. Kromě návodu k obsluze obsahuje uživatelská příručka také pokyny k provádění údržby a oprav.

Výrobce nepřebírá zodpovědnost za nehody nebo škody způsobené nedodržením těchto pokynů.

2. SYMBOLY



**Riziko zranění způsobeného sekacím ústrojím!
Nikdy nesahejte do sekacího ústrojí.**



Používejte ochranu zraku.



Před prvním použitím tohoto produktu si prosím přečtěte bezpečnostní pokyny.



Používejte ochranu sluchu.



**Udržujte ostatní osoby v bezpečné vzdálenosti!
VAROVÁNÍ! Při práci s tímto zařízením dávejte pozor,
aby se v jeho blízkosti nenacházely žádné jiné osoby
(bezpečná vzdálenost: 5 m).
To platí zejména pro děti a zvířata.**



Dávejte pozor na ostré hrany sekacího nože.



**Nebezpečí zranění!
Dávejte pozor na odmrštěné předměty.
Zabraňte přístupu nepovolaných osob.**



**Dávejte pozor na ostré hrany sekacího nože. Nože se
budou ještě chvíli otáčet i po vypnutí motoru.**



**Před použitím tohoto náradí si pozorně přečtěte návod
k obsluze.**



**Chraňte toto náradí před vlhkostí a nikdy jej nenechávejte
na dešti!**



Zaručená úroveň akustického výkonu Lwa 96 dB (A)



**Před prováděním jakékoli údržby a oprav odpojte od této
sekačky na trávu jistič.**

3. POPIS

1. Držadlo rukojeti s pěnou
2. Startovací páčka
3. Přepínací box
4. Horní rukojeť
5. Křídlová matice (×2)
 - a. Podložka (×2)
 - b. Montážní šroub (×2)
6. Dolní rukojeť
7. Ukazatel zaplnění
8. Horní kryt sběrače trávy
 - a. Rám sběrače trávy
 - b. Šrouby (×1)
9. Koš na trávu
10. Zadní záklopka
11. Podpurná sestava rukojeti
 - a. Kolečko pro nastavení úhlu (×2)
 - b. Šroub (×4)
 - c. Pevné kolečko (×2)
 - d. Sestava šroubu s podložkou (×4)
12. Zadní kolečko (×2)
 - Krytka zadního kolečka (×2)
13. Sekací stroj
14. Horní kryt
15. Páčka pro seřízení výšky sekání
16. Kryt baterie
17. Přední kolečko (×2)
 - Krytka předního kolečka (×2)
18. Rukojeť sběrače trávy
19. Rukojeť pro přenášení
20. Bezpečnostní klíč
21. Nabíječka (není součástí příslušenství)
22. Akumulátor (není součástí příslušenství)
23. Kabelová svorka

4. ZÁKLADY BEZPEČNOSTI PŘI PRÁCI

DŮLEŽITÉ BEZPEČNOSTNÍ POKYNY PRO AKUMULÁTORY

- ☛ Baterie představují chemický zdroj elektrické energie obsahující chemické sloučeniny, které mohou způsobit poškození zdraví, majetku nebo životního prostředí. Proto s nimi manipulujte opatrně.
- ☛ Baterie je kdykoli připravena dodávat energii, i za nežádoucích okolností!

⚠ POZOR! I u částečně nabitých baterie může dojít ke zkratu a následnému poškození baterie. V nejhorším případě může dojít k explozi nebo požáru. Proto vždy zacházejte s bateriemi způsobem, při kterém nemůže dojít ke zkratu (např. kancelářskými sponkami, mincemi, klíči, hřebíky, šrouby nebo jinými malými kovovými předměty)!
To platí i pro skladování.

- ☛ Používejte pouze baterie doporučené výrobcem zařízení.
- ☛ Baterie není dovoleno skladovat nebo používat v blízkosti otevřeného ohně. Je rovněž zakázáno házet je do ohně.
- ☛ Nelikvidujte staré baterie vyhozením do běžného domácího odpadu.
- ☛ Nikdy se rovněž nedotýkejte nožů, dokud není zařízení odpojeno od zdroje energie a dokud se nože zcela nezastaví.
- ☛ Odpojte zařízení od zdroje energie (tj. vyjměte baterii ze zařízení):
 - Pokud potřebujete ponechat zařízení bez dohledu
 - Pokud musíte nechat zařízení nestřežené
 - Před každou kontrolou, každým čištěním nebo opravami
 - Pokud do něj během práce narazí cizí předmět
 - Pokud zařízení nadměrně vibruje.
- ☛ Pozorně si přečtěte základy bezpečné práce se zařízením a tuto uživatelskou příručku.

- ✿ Toto zařízení nesmí být používáno osobami s omezenými fyzickými, smyslovými nebo duševními schopnostmi (včetně dětí). Dále nesmí být používáno nezkušenými osobami, které nemají technické znalosti pro jeho ovládání. Tyto osoby musí být pod dohledem kompetentní osoby nebo musí obdržet pokyny o základech bezpečnosti při práci.
- ✿ Pokud se v blízkosti tohoto zařízení pohybují děti, zajistěte, aby si s tímto zařízením nemohly hrát.
- ✿ Brnění rukou nebo ztráta citu jsou důsledkem nadměrných vibrací.
Pokud taková situace nastane, zkraťte pracovní cyklus, dělejte dostatečně dlouhé přestávky, podělte se o práci s jinými nebo, pokud je tato sekačka na trávu používána dlouhou dobu, noste speciální antivibrační rukavice.
- ✿ Nevyhnutelným důsledkem používání této sekačky na trávu je provozní hluk. Proto provádějte hlučné práce pouze během určených hodin, když je tento druh aktivity normální. Respektujte dobu klidu a zkuste omezit práci na co nejkratší dobu.
Doporučujeme rovněž, aby obsluha i osoby v okolí nosily ochranu sluchu.

DŮLEŽITÉ BEZPEČNOSTNÍ POKYNY PRO NABÍJEČKY BATERÍ

- ⚠ **POZOR!** Nebezpečí úrazu elektrickým proudem!
- ⚠ **POZOR!** Před každým použitím zkontrolujte nabíječku, kabel a zástrčku. Pokud zjistíte poškození, nesmíte nabíječku používat.
- ⚠ **POZOR!** Před použitím si přečtěte všechny pokyny a varování na nabíječce a pouzdru baterie.
- ✿ Nevystavujte tuto nabíječku dešti, sněhu a vlhkosti. Vniknutí vody do nabíječky baterií zvyšuje nebezpečí úrazu elektrickým proudem.
- ✿ Pro snížení nebezpečí poškození zástrčky a napájecího kabelu vždy odpojujte napájecí kabel tažením za zástrčku (nikoli tažením za kabel).
- ✿ Zajistěte, aby byl kabel umístěn tak, aby na něj nemohl nikdo šlápnout, aby o něj nemohl nikdo zakopnout nebo jej jinak poškodit.
- ✿ Nikdy nenabíjejte baterii ve výbušném prostředí, v blízkosti hořlavých látek nebo v hořlavém prostředí. Nepoužívejte ji na snadno vznětlivých površích (např. papír, textilie apod.).
- ✿ Nabíječku nerozebírejte. Pokud potřebuje vyměnit nebo opravit, odnesete ji do autorizovaného servisního střediska. Při nedodržení tohoto pokynu může dojít k úrazu elektrickým proudem nebo k požáru.
- ✿ NIKDY neskladujte a nepoužívejte nabíječku v místech, kde může teplota dosáhnout nebo překročit 50 °C (jako například přístřešky, automobily apod.).
- ✿ Zkontrolujte, zda je síťové napětí v rozsahu vyžadovaném výrobcem nabíječky. Obvod musí mít adekvátní proudovou ochranu.

JINÁ NEBEZPEČÍ

- ⚠ **POZOR!** V případě mechanického poškození prostoru pro baterii se vyvarujte kontaktu s chemikáliemi, které z něj mohou unikat. V případě kontaktu s chemikáliemi okamžitě opláchněte zasažené místo čistou vodou. V případě nadměrného kontaktu nebo chemického popálení nebo zasažení očí vyhledejte okamžitě lékařskou pomoc.

- ☛ Přestože jsou naše produkty navrženy tak, aby splňovaly platné technické normy a bezpečnostní předpisy, existují pro uživatele používajícího toto zařízení i přesto určitá rizika:
 - Ze sekacího ústrojí mohou být odmrštěny kameny nebo jiné úlomky.
 - Pokud obsluha zařízení nepoužívá ochranu sluchu, riskuje následnou hluchotu.
 - Zranění prstů během údržby nože
 - Vdechnutí kousků odřezané trávy
 - Úraz elektrickým proudem dotykem neizolovaných částí.
- ☛ Toto zařízení nesmí být používáno osobami s omezenými fyzickými, smyslovými nebo duševními schopnostmi (včetně dětí), nezkušenými osobami a osobami, jejichž technické znalosti jsou pro daný úkol evidentně nedostatečné; tyto osoby by měly toto zařízení používat pouze pod dohledem osoby kompetentní pro daný úkol nebo pod podmínku, že jsou důkladně proškoleny pro bezpečnou práci s tímto zařízením.
- ☛ Pokud se v blízkosti tohoto zařízení pohybují děti, zajistěte, aby si s tímto zařízením nemohly hrát.

⚠ POZOR! Před použitím této sekačky na trávu si pozorně přečtěte tuto uživatelskou příručku. Důkladně se seznamte se všemi ovládacími prvky. Dodržování bezpečnostních předpisů pro práci na tomto zařízení minimalizuje nebezpečí požáru, úrazu elektrickým proudem nebo jiných zranění.

- ☛ Pečlivě tuto uživatelskou příručku uschovejte pro pozdější použití.
- ☛ V případě nesprávného ovládní tohoto zařízení může dojít ke zranění. Tato sekačka na trávu by mohla způsobit vážná zranění obsluze a osobám v její blízkosti, a proto je nutno vždy dodržovat bezpečnostní předpisy pro práci, aby bylo do maximální možné míry eliminováno riziko. Uživatel odpovídá během používání tohoto zařízení za bezpečnost. Nikdy nepoužívejte toto zařízení, pokud chybí nebo zcela nefunguje kterýkoli z jeho bezpečnostních prvků.

PŘED POUŽITÍM TÉTO SEKAČKY NA TRÁVU

- ☛ Přečtěte si pozorně všechny pokyny uvedené v této uživatelské příručce. Důkladně se seznamte s ovládacími prvky zařízení a zásadami jeho správného používání.
- ☛ Nikdy nedovolte dětem nebo komukoli, kdo nezná ovládací prvky a bezpečnostní předpisy pro práci s tímto zařízením, aby toto zařízení sám používal. Národní legislativa může rovněž vyžadovat minimální věkový limit pro používání tohoto typu zařízení. Prostudujte si prosím zákony platné pro toto zařízení ve vaší zemi.
- ☛ Nikdy nepoužívejte sekačku na trávu, pokud se v blízkosti pohybují jiné osoby, a to zejména děti nebo domácí zvířata.
- ☛ Vždy pamatujte na to, že uživatel nese plnou odpovědnost za zranění nebo poškození majetku způsobené používáním tohoto zařízení.

PŘÍPRAVA NA POUŽITÍ

- ☛ Při práci s tímto zařízením noste vhodnou obuv a dlouhé kalhoty. Nikdy nepoužívejte tuto sekačku na trávu, jestliže jste bosí nebo máte sandály.
- ☛ Před zahájením práce zkontrolujte zem a odstraňte jakékoli předměty, které by mohlo toto zařízení odmrstit.

⚠ POZOR! Před každým použitím tohoto zařízení se ujistěte, že nůž, jeho montážní čep a obecně tělo této sekačky na trávu nejsou poškozeny nebo nadměrně opotřebovány. Vždy vyměňte poškozený nebo opotřebovaný díl, který existuje na tomto zařízení v sadě, jako celou sadou, aby nedocházelo k nerovnováze.

OVLÁDÁNÍ

- ✿ Používejte toto zařízení pouze za denního světla nebo za dostatečného umělého osvětlení.
- ✿ Pokud je to možné, nesekejte mokrou trávu.
- ✿ Zajistěte, abyste měli během práce vždy pevnou půdu pod nohama a bezpečný postoj.
- ✿ Při tlačení této sekačky na trávu neběhejte – pohybujte se normální rychlostí chůze.
- ✿ Pro práci se sekačkami na trávu platí následující obecná pravidla: Při sekání ve svahu se nepohybujte nahoru a dolů, ale vždy po vrstevnicích, tj. vodorovně a kolmo ke sklonu svahu.
- ✿ Při změně směru svahu buďte obzvlášť opatrní.
- ✿ Nikdy nepoužívejte tuto sekačku na trávu na extrémně příkrých svazích.
- ✿ Pokud potřebujete přitáhnout spuštěnou sekačku na trávu k sobě nebo pokud s ní potřebujete jet dozadu, buďte velmi opatrní.
- ✿ Před přepravou zařízení nebo před přesunem přes oblast bez trávy vždy zastavte otáčení nožů.
- ✿ Nikdy nepoužívejte toto zařízení, pokud jsou poškozeny jakékoli kryty nebo pokud chybí jakýkoli z jeho bezpečnostních prvků, jako jsou například deflektory nebo sběrné koše.
- ✿ Motor vždy startujte způsobem uvedeným v této uživatelské příručce a zajistěte, abyste nestáli v blízkosti nožů.
- ✿ Nikdy toto zařízení při startování motoru nenaklánějte, pokud to není opravdu nezbytné pro jeho nastartování. V takovém případě otočte stranu sekačky, která je dále od vás vzdálenější, směrem nahoru.
- ✿ Nikdy nestřežte ruce nebo chodidla pod tuto sekačku na trávu, zejména do blízkosti pohybujících se dílů. Nikdy nezakrývejte otvor pro vytlačování trávy.
- ✿ Nikdy nepřpravujte toto zařízení s běžícím motorem.
- ✿ Vždy nejprve zastavte motor a vyjměte ze zařízení baterii; pouze pak můžete opravovat závady nebo vyprazdňovat sběrný koš.
 - Stejným způsobem postupujte před každou kontrolou, čištěním nebo opravami zařízení.
 - Pokud narazíte do cizího předmětu, zkontrolujte, zda nedošlo k poškození této sekačky na trávu; pokud došlo k poškození, sekačku před dalším spuštěním motoru opravte.
 - Nebo pokud začne zařízení vibrovat více, než je běžné (okamžitě zařízení zkontrolujte!)
- ✿ Zastavte motor, kdykoli se od zařízení vzdálíte.

ÚDRŽBA A SKLADOVÁNÍ

- ✿ Vždy zajistěte, aby byly všechny matice, čepy a šrouby pevně dotaženy, a byl tak zajištěn bezpečný provoz zařízení.
- ✿ Pravidelně kontrolujte, zda nedošlo k poškození nebo nadměrnému opotřebením sběrného koše.
- ✿ Opotřebené nebo poškozené díly ihned vyměňte. Tak zajistíte bezpečný provoz vaší sekačky na trávu.
- ✿ Při nastavování nastavitelných prvků dávejte pozor, aby se vám neskříply prsty mezi pohyblivými noži a pevnou částí zařízení. Před uložením této sekačky na trávu do uzavřené místnosti nechte motor vychladnout.

5. SESTAVENÍ A POUŽÍVÁNÍ

VYBALENÍ

- ✿ Vybalte všechny díly a položte je na rovný stabilní povrch.
- ✿ Odstraňte všechny obalové materiály a přepravní prvky (pokud existují).
- ✿ Ujistěte se, že máte k dispozici všechny díly a že tyto díly nejsou poškozené. Pokud některé díly chybí nebo jsou poškozené, nepoužívejte produkt a kontaktujte vašeho prodejce. Používání nekompletního nebo poškozeného produktu představuje nebezpečí pro osoby a hrozí také poškození majetku.
- ✿ Zajistěte, abyste měli k dispozici všechno příslušenství a nástroje potřebné pro sestavení a používání. Patří sem rovněž vhodné osobní ochranné pomůcky.

⚠ VAROVÁNÍ! Tento produkt a obalové materiály nejsou hračkou pro děti!
Nedovolte dětem hrát si s igelitovými sáčky, fóliemi a malými díly! Hrozí nebezpečí zablokování dýchacích cest a udušení!

BUDETE POTŘEBOVAT / PŘEDTÍM NEŽ ZAČNETE

(nedodávané položky)

Vhodné osobní ochranné pomůcky

Vhodný křížový šroubovák

Vhodný maticový klíč

akumulátor (22) a nabíječku baterií (21)

(dodávané položky)

Sběrač trávy (7, 8, 9, 18)

📖 Poznámka: Požadované příslušenství závisí na zamýšleném způsobu použití. Požádejte o radu prodejce.

📖 Poznámka: Díly označené * nejsou v tomto přehledu zobrazeny. Podívejte se prosím na příslušný díl v návodu k obsluze.

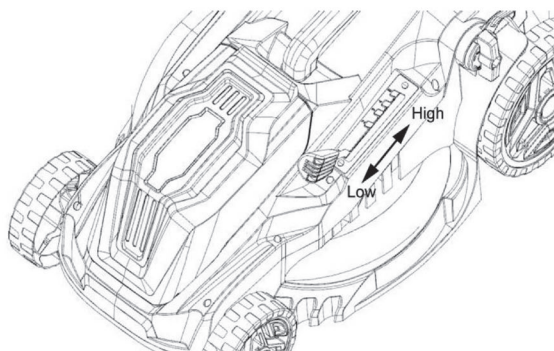
SESTAVENÍ

⚠ VAROVÁNÍ! Nepoužívejte částečně sestavený produkt nebo produkt s poškozenými díly!
Dodržujte krok za krokem montážní pokyny a používejte jako vizuálního průvodce dodávané obrázky, usnadňující sestavení produktu!
Nepřipojujte produkt k akumulátoru (22) před jeho kompletním sestavením!

📖 Poznámka: Dávejte pozor na malé díly odebrané během montáže nebo seřizování. Uložte je na bezpečné místo, aby se neztratily.

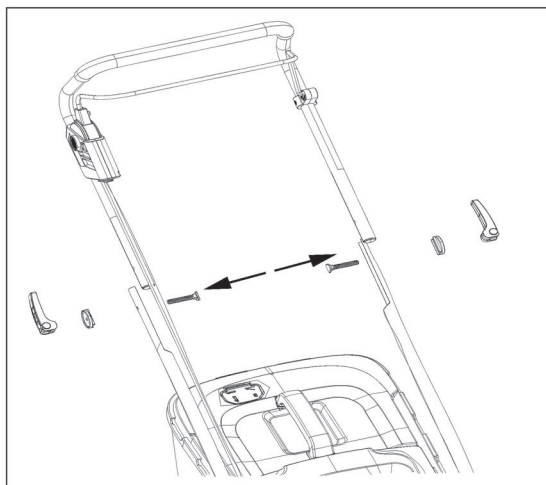
DOLNÍ RUKOJEŤ

- ✿ Postavte hlavní jednotku (13) na zem.
- ✿ Připojte dolní rukojeť (6) s podpůrnou sestavou rukojeti (11): pomocí 2 šroubů (11-b) namontujte kolečko pro seřízení úhlu (11-a) k dolní rukojeti (6). Dolní rukojeť (6) je připevněna k hlavní jednotce (13) pomocí spojení kolečka pro seřízení úhlu (11-a) a pevného kolečka (11-c).



HORNÍ RUKOJEŤ

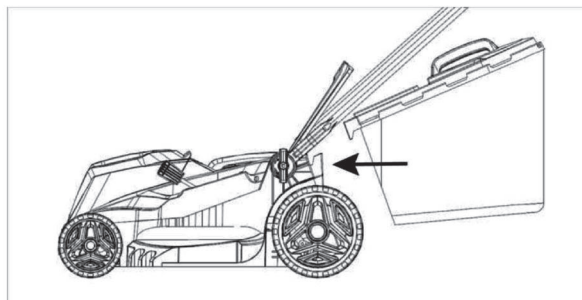
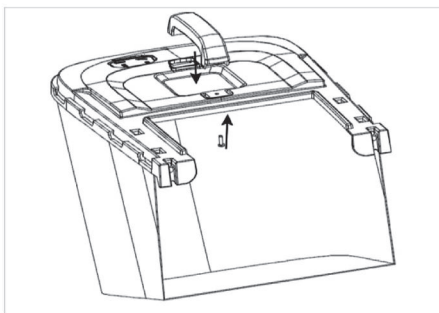
- ✿ Podržte horní rukojeť (1) se startovací páčkou (2) otočenou nahoru. Vyrovnejte montážní otvory horní rukojeti (1) a dolní rukojeti (6).
- ✿ Protáhněte montážní šrouby (5-b) montážními otvory horní rukojeti (1), dolní rukojeti (6) a podložkou (5-a) až na konec, a dotáhněte šroub (5-b) pomocí křídlové matice (5).
- ✿ Zajistěte, aby byla elektrická šňůra vedena po rukojetích.
- ✿ Připevněte elektrickou šňůru pomocí kabelové svorky (23) na dolní rukojeti (6).



SBĚRNÝ KOŠ

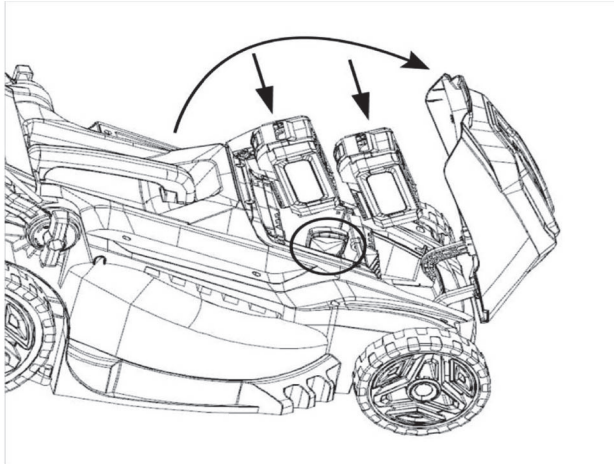
- ✿ Umístěte koš na trávu (9) do rámu (8-a) a vložte rukojeť sběrače trávy (18) do horního krytu (8), a pomocí šroubku (8-b) proveďte připevnění.
- ✿ Otevřete zadní záklopku (10) a podržte ji v příslušné poloze.
- ✿ Pak opatrně zadní záklopku (10) uvolněte.

 **Poznámka:** Sběrač trávy přenášejte vždy pomocí jeho rukojeti (18).



AKUMULÁTOR PŘIPEVNĚNÍ AKUMULÁTORU

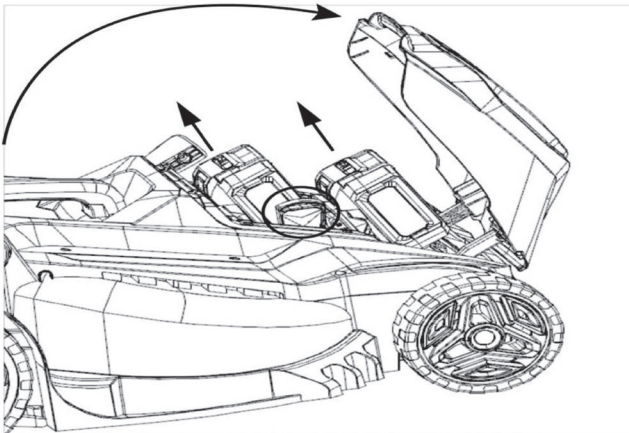
- ✿ Zatažením otevřete kryt baterie (16).
- ✿ Odpojte bezpečnostní klíč (20) a nechte jej viset na jeho provázku.
- ✿ Vsuněte akumulátor (22) do štěrbin prostoru pro baterii.
- ✿ Ujistěte se, že jsou elektrické kontakty plně zasunuty do akumulátoru (22) a že bylo vsunutí na správné místo potvrzeno zacvaknutím.
- ✿ Akumulátor (22) lze vložit pouze jedním směrem.
- ✿ Znovu vložte bezpečnostní klíč (20) do jeho štěrbin.
- ✿ Zavřete kryt baterie (16).



UVOLNĚNÍ AKUMULÁTORU

Akumulátor (22) vložený do sekačky nelze nabíjet. Vyměňte akumulátor (22) z prostoru pro baterii nebo prostoru pro náhradní baterii a nabijte jej.

- ✿ Zatažením otevřete kryt baterie (16).
- ✿ Stisknutím uvolňovacího tlačítka odemkněte západku akumulátoru (22).
- ✿ Vysuňte akumulátor (22) z prostoru pro baterii.
- ✿ Zavřete kryt baterie (16).



NABÍJENÍ AKUMULÁTORU

Akumulátor (22) pro tento produkt bývá expedován ve stavu nízkého nabití. Před použitím jej plně nabijte.

PŘIPOJENÍ AKUMULÁTORU

- ✿ Zajistěte, aby byla uvolněna startovací páčka (2) a aby nebylo stisknuto tlačítko bezpečnostního spínače.
- ✿ Připevněte k produktu akumulátor (22). Ujistěte se, že zacvaknul do správné polohy.
- ✿ Vložte bezpečnostní klíč (20) plně do jeho štěrbin.
- ✿ Váš produkt je nyní připraven k použití.

ÚČEL POUŽITÍ


Tato akumulátorová sekačka na trávu je navržena pro jmenovité napětí 40 V. Je navržena pouze pro používání s akumulátorem uvedeným v kapitole „Technické údaje“.

Tento produkt je určen k sekání trávy pouze v domácích zahradách.

Nesmí být používán pro sekání neobvykle vysoké, suché nebo mokré trávy, jako např. trávy na pastvině, nebo pro drcení listů. Z bezpečnostních důvodů je nezbytné přečíst si před prvním použitím celou uživatelskou příručku a dodržovat všechny v ní uvedené pokyny. Tento produkt je určen pouze pro soukromé domácí použití, nikoli pro komerční obchodní použití. Nesmí být používán pro jiné účely, než je zde uvedeno.

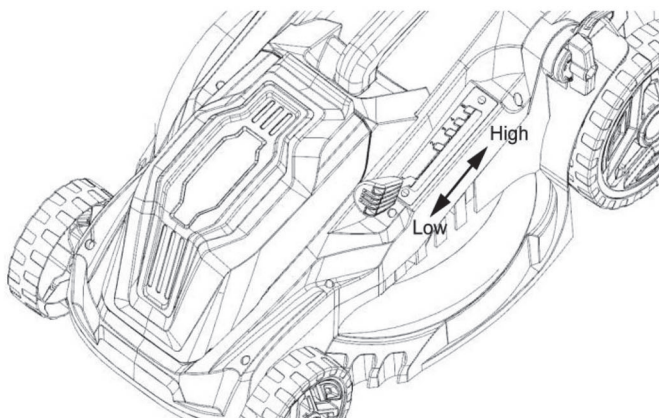
NASTAVENÍ VÝŠKY SEKÁNÍ

 **Poznámka:** K dispozici je 5 úrovní výšky sekání (30–75 mm).

 **VAROVÁNÍ!** Před nastavením výšky sekání vypněte produkt a počkejte na úplné zastavení pohybu sekačično nože! Před nastavením výšky sekání odstraňte bezpečnostní klíč (20)!

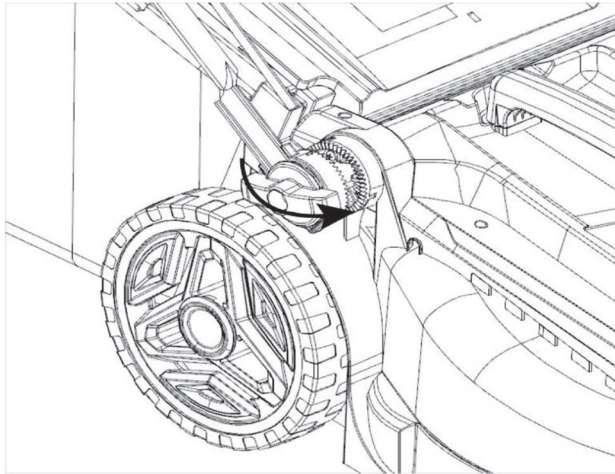
Nastavte výšku sekání podle vašich potřeb s ohledem na stav trávníku. Výška sekání závisí na druhu trávníku a jeho skutečné výšce. Při sekání vysoké trávy začněte maximální výškou sekání a pak trávu posekejte podruhé s nižší výškou sekání.

- ✿ Vytáhněte páčku (15) směrem k zadnímu kolečku (12).
- ✿ Posunutím dopředu nebo dozadu nastavte výšku sekání.
- ✿ Uvolněte páčku (15) a zajistěte, aby byla správně zasunutá do štěrbin.



SEŘÍZENÍ TYČE RUKOJETI

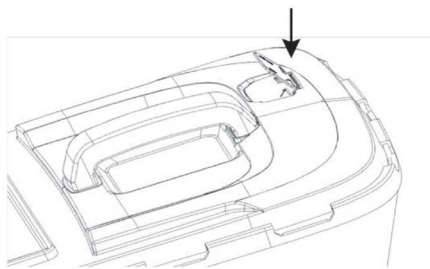
- ✿ Uvolněte kolečko pro seřízení úhlu (11-a) proti směru hodinových ručiček, ale neodstraňujte jej.
- ✿ Uchopte držadlo rukojeti (1) a nastavte ji do polohy pohodlné pro uživatele.
- ✿ Pak dotáhněte kolečko pro seřízení úhlu (11-a) ve směru hodinových ručiček.



UKAZATEL ZAPLNĚNÍ

Sběrač trávy je vybaven poklopem, který během sekání ukazuje zaplnění.

- ✿ Když je poklop otevřen, je ukazatel (7) nadzvedáván proudem zvuku, což znamená, že sběrač trávy má ještě dostatečnou kapacitu pro další sběr trávy.
- ✿ Po uzavření poklopu je sběrač trávy plný a musí být vyprázdněn.



Poznámka: Plný sběrač trávy snižuje výkon tohoto produktu.

VYPŘÁZDNĚNÍ

Během používání sběrače trávy často vyprazdňujte. Nečekejte na jeho kompletní zaplnění. Doporučujeme jej vyprázdnit už po polovičním zaplnění.

Plný sběrač trávy snižuje výkon tohoto produktu. Vypněte produkt a ujistěte se, že je zastaven motor a sekací nůž se přestal otáčet.

- ✿ Zvedněte zadní záklonku (10) a zvedněte sběrač trávy z háčků
- ✿ Odstraňte odřezky trávy ze zadního vyprazdňovacího otvoru do sběrače trávy. Použijte vhodný nástroj, například kartáč.
- ✿ Odstraňte sběrač trávy pomocí jeho přepravní rukojeti.
- ✿ Vyprázdněte odřezky trávy na kompostovací hromadu.
- ✿ Sběrač trávy znovu připevňte k produktu.

OBECNÉ OVLÁDÁNÍ

- ✿ Před každým použitím produktu zkontrolujte, zda nedošlo k poškození tohoto produktu, jeho akumulátoru, nabíječky nebo příslušenství. Nikdy nepoužívejte tento produkt, pokud je jakýmkoli způsobem poškozen nebo vykazuje známky opotřebení. Vyřešte každý problém, na který narazíte nebo nechte produkt zkontrolovat kvalifikovaným technikem.
- ✿ Dvakrát zkontrolujte správné připevnění příslušenství a doplňků.
- ✿ Produkt vždy tlačte pomocí držadla rukojeti (1). Udržujte rukojeti v suchu, aby byla zajištěna bezpečná podpora.
- ✿ Zajistěte, aby byly otvory pro vzduch vždy volné a čisté. V případě potřeby je očistěte jemným kartáčem. Zablokované otvory pro vzduch mohou způsobit přehřátí a poškození produktu.
- ✿ Pokud jste během práce vyrušeni osobami, které vstoupily na pracoviště, produkt okamžitě vypněte. Před odstavením nechte produkt vždy zcela zastavit.
- ✿ Nenakládejte si příliš mnoho práce. Dělejte pravidelné přestávky, abyste se mohli koncentrovat na práci a měli nad produktem vždy plnou kontrolu.

SPUŠTĚNÍ/ZASTAVENÍ

⚠ VAROVÁNÍ! Před spuštěním postavte produkt na rovný povrch bez vysoké trávy! Vyčistěte spodní stranu sekacího ústrojí! Opatrně podle pokynů spusťte motor. Udržujte nohy v dostatečné vzdálenosti od sekacího nože! Při startování motoru produkt nenaklánějte.

- ✿ Nainstalujte akumulátor (22) do prostoru pro baterii.
- ✿ Vložte bezpečnostní klíč (20) plně do jeho štěrbin.
- ✿ Uzavřete kryt baterie (16) a postavte se za držadlo rukojeti (1).
- ✿ Zatímco držíte stisknuté tlačítko bezpečnostního spínače (3), vytáhněte startovací páčku (2) směrem k držadlu rukojeti (1).
- ✿ Po spuštění sekačky uvolněte tlačítko bezpečnostního spínače (3).
- ✿ Produkt začne sekat.
- ✿ Pro zastavení sekačky uvolněte startovací páčku (2).

TECHNICKÉ ÚDAJE

Obecné	FZR 70375-0
Jmenovité napětí	2x20 V
Jmenovité otáčky naprázdno n0	2800–3400 min ⁻¹
Maximální šířka sekání	38 cm
Rozsah výšky sekání	30–75 mm, 5 úrovní
Objem sběrného koše	42 l
Velikost kola	140 (přední) / 178 (zadní) mm
Hmotnost	přibl. 11,5 kg

PŘÍSLUŠENSTVÍ

Číslo položky	Příslušenství
FDUZ 79020	Akumulátor 2 Ah
FDUZ 79040	Akumulátor 4 Ah
FDUZ 79100	Rychlá nabíječka
FDUZ 79110	Rychlá duální nabíječka

6. ŘEŠENÍ PROBLÉMŮ

⚠ NEBEZPEČÍ! Nebezpečí zranění! Neodborné opravy mohou znamenat, že vaše sekačka již nebude pracovat bezpečně. To ohrožuje vás i pracovní prostředí.

Poruchy jsou často způsobeny drobnými závadami. Většinu z nich proto můžete snadno opravit sami. Před kontaktováním prodejce si prosím přečtete následující tabulku. Tak si ušetříte spoustu problémů a možná i peněz.

Porucha/Závada	Příčina	Řešení
Nářadí nefunguje.	Není akumulátor vybitý? Není akumulátor poškozený?	Nabíjení akumulátoru Kontaktujte místního prodejce.
Nářadí nelze zapnout.	Čekáte na zpoždění při spuštění?	Počkejte na zpoždění v trvání 2 sekund.
Sekačka seká trávu nerovnoměrně.	Trávník je členitý nebo hrbolatý. Není správně nastavena výška sekání.	Zkontrolujte sekanou plochu. Nastavte sekací ústrojí do vyšší polohy.
Podivné zvuky.	Nedošlo k uvolnění šroubů nebo dílů? Nejsou v nožích cizí předměty? Není poškozen nůž?	Utáhněte šrouby. Odstraňte cizí předměty. Nechejte nabrousit nebo vyměnit nůž.
Výsledek sekání není uspokojivý.	Není nůž tupý?	Nechejte nabrousit nebo vyměnit nůž.

Nemůžete-li poruchu sami opravit, kontaktujte nejbližšího prodejce. Uvědomte si prosím, že jakékoli nesprávné opravy ruší také platnost záruky a mohou vám způsobit další náklady.

7. ÚDRŽBA

⚠ POZOR! Před sejmutím sběrného koše vždy sekačku vypněte a vyjměte z ní akumulátor.

📖 Poznámka: Doporučujeme vám pravidelně provádět níže uvedenou údržbu, aby byla prodloužena provozní životnost a spolehlivost tohoto zařízení.

- ✿ Provádějte pravidelnou vizuální kontrolu, zda na tomto zařízení nejsou vady, jako například uvolněný nůž, nůž nainstalovaný obráceně, poškozený nůž či poškozené nebo nadměrně opotřebené díly.
- ✿ Také pravidelně kontrolujte, zda nejsou ochranné kryty a ochranné prvky poškozeny a zda jsou správně umístěny.
- ✿ Před použitím tohoto zařízení proveďte všechny nezbytné opravy a údržbu.
- ✿ Pokud toto zařízení i přes pravidelnou údržbu nefunguje, obraťte se prosím na náš zákaznický servis. Opravu musí provádět náš smluvní partner v některém ze specializovaných servisů Fieldmann.

7.1 VÝMĚNA NOŽE

- ✿ U tohoto úkonu vám doporučujeme kontaktovat autorizovaný servis.
- ✿ Vždy používejte originální náhradní díly.

⚠ Důležité! Před prováděním kontroly nožů vždy vyjměte ze sekačky akumulátor a zkontrolujte, zda je vypnutý motor.

⚠ POZOR: Nezapomeňte, že se nůž sekačky otáčí ještě několik sekund po vypnutí motoru. Nikdy se nepokoušejte nůž zastavit. V pravidelných intervalech kontrolujte, zda je nůž bezpečně upevněn, v dobrém stavu a ostrý. Je-li to nutné, proveďte jeho nabroušení nebo výměnu.

V případě, že nůž při sekání narazí do cizího předmětu, zastavte sekačku a počkejte, než se nůž zcela zastaví. Potom zkontrolujte stav nože a jeho upevňovacích šroubů.

Jsou-li nože poškozeny nebo došlo-li ke ztrátě šroubů, musí být okamžitě vyměněny.

⚠ Důležité! Při práci používejte ochranné rukavice.

Povolte šroub upevňující nůž (pomocí vhodného klíče) otáčením proti směru pohybu hodinových ručiček, sejměte nůž a nahraďte jej novým nožem. Zkontrolujte, zda je nový nůž namontovaný se správnou orientací. Utáhněte šroub otáčením ve směru pohybu hodinových ručiček.

7.2 PÉČE O AKUMULÁTOR

Skladování po ukončení sezóny

Z důvodu zajištění optimálního výkonu vám doporučujeme nabíjet akumulátor každé dva měsíce, není-li používán.

⚠ POZOR: Před uložením akumulátor plně nabijte.

⚠ POZOR: Neskladujte akumulátor v místech, kde teplota klesá pod 10 °C

8. LIKVIDACE



Toto zařízení, dobíjecí baterie, příslušenství a obaly musí být rozříděny, aby byla zajištěna jejich ekologická recyklace.

Nevyhazujte elektrické nářadí a baterie nebo nabíjecí baterie do běžného domácího odpadu!

Pouze pro země Evropské unie:



Podle evropské směrnice 2012/19/EU a v souladu s evropskou směrnicí 2006/66/ES musí být elektrické nářadí, které již není použitelné, a vadné nebo použité akumulátory/baterie rozříděny odděleně a zlikvidovány tak, aby nedošlo k ohrožení životního prostředí.

POKYNY A INFORMACE K LIKVIDACI VYŘAZENÝCH OBALOVÝCH MATERIÁLŮ

Odevzdejte veškerý použitý obalový materiál na místě, které je určeno místními úřady pro likvidaci odpadu.

LIKVIDACE VYŘAZENÝCH ELEKTRICKÝCH A ELEKTRONICKÝCH ZAŘÍZENÍ



Tento symbol na produktech nebo v příložené dokumentaci znamená, že vyřazené elektrické nebo elektronické produkty nesmí být vyhazovány do běžného komunálního odpadu. Odevzdejte tyto produkty na určených sběrných místech, kde bude provedena jejich správná likvidace, obnovení a recyklace. V některých státech Evropské unie nebo v některých evropských zemích můžete při nákupu odpovídajícího nového produktu vrátit vaše produkty místnímu prodejci. Správnou likvidaci tohoto produktu pomáháte chránit cenné přírodní zdroje a zabráníte možným negativním dopadům na životní prostředí a lidské zdraví, ke kterým by mohlo dojít v důsledku nesprávné likvidace odpadu. Další podrobnosti vám poskytnou místní úřady nebo nejbližší sběrný dvůr. V případě nesprávné likvidace tohoto druhu odpadu mohou být uloženy pokuty v souladu s platnými národními předpisy.

Pro společnosti v zemích Evropské unie

Chcete-li zlikvidovat elektrická nebo elektronická zařízení, vyžádejte si potřebné informace od vašeho prodejce nebo dodavatele. Likvidace v zemích mimo Evropskou unii. Chcete-li tento výrobek zlikvidovat, požádejte místní úřady nebo prodejce o nezbytné informace o způsobu likvidace.



Tento výrobek splňuje všechny základní požadavky všech příslušných směrnic EU.

Text, design a technické specifikace se mohou změnit bez předchozího upozornění a vyhraujeme si právo na provádění těchto změn.

Uživatelská příručka v originálním jazyce.

AKUMULÁTOROVÁ KOSAČKA NA TRÁVU 38 CM **20V** MAXI **FASTPOWER**

POKYNY NA POUŽITIE

**Ďakujeme vám za kúpu tejto akumulátorovej kosačky na trávu.
Skôr ako ju začnete používať, pozorne si prečítajte túto používateľskú príručku
a uschovajte ju na neskoršie použitie.**

OBSAH

1. VŠEOBECNÉ BEZPEČNOSTNÉ PREDPISY.....	46
2. SYMBOLY	47
3. OPIS.....	48
4. ZÁKLADY BEZPEČNOSTI PRI PRÁCI.....	48
5. ZOSTAVENIE A POUŽÍVANIE.....	52
6. RIEŠENIE PROBLÉMOV	60
7. ÚDRŽBA.....	61
8. LIKVIDÁCIA.....	62

1. VŠEOBECNÉ BEZPEČNOSTNÉ PREDPISY

DÔLEŽITÉ BEZPEČNOSTNÉ UPOZORNENIA


- ✿ Opatrne produkt vybalte a nevyhadzujte žiadnu časť obalu dovedty, kým nenájdete všetky diely produktu.
- ✿ Uložte tento produkt na suchom mieste mimo dosahu detí.
- ✿ Prečítajte si všetky varovania a pokyny. Nedodržovanie týchto varovaní a pokynov môže mať za následok úraz elektrickým prúdom, požiar a/alebo vážne zranenia.

BALENIE

Tento produkt je dodávaný v obale, ktorý zabraňuje jeho poškodeniu počas prepravy. Tento obal predstavuje druhoúnú surovinu, ktorú je možné recyklovať.

POUŽÍVATEĽSKÁ PRÍRUČKA

Pred začatím práce s týmto zariadením si prosím prečítajte nasledujúce bezpečnostné predpisy a pokyny na používanie. Dôkladne sa zoznámte s ovládacími prvkami a správnym používaním tohto zariadenia. Uložte túto používateľskú príručku na bezpečné miesto pre jednoduché neskoršie použitie. Aspoň počas platnosti záruky uschovajte originálny obal vrátane vnútorného obalového materiálu, záručného listu a dokladu o kúpe. Ak potrebujete toto elektrické náradie prepraviť na iné miesto, zabaľte ho do originálnej lepenkovej škatule, aby bola zabezpečená jeho maximálna ochrana počas manipulácie a prepravy (napríklad pri sťahovaní alebo pri odosielaní tohto elektrického náradia do servisného strediska na opravu).

 **Poznámka:** Ak budete zariadenie dávať inej osobe, priložte k nemu túto používateľskú príručku. Zaisťte, aby bolo vaše zariadenie používané správne, podľa pokynov v dodávanej používateľskej príručke. Okrem návodu na obsluhu obsahuje používateľská príručka aj pokyny na vykonávanie údržby a opráv.

Výrobca nepreberá zodpovednosť za nehody alebo škody spôsobené nedodržaním týchto pokynov.

2. SYMBOLY



**Riziko zranenia spôsobeného sekacím ústrojenstvom!
Nikdy nesiahajte do sekacieho ústrojenstva.**



Používajte ochranu zraku.



Pred prvým použitím tohto produktu si, prosím, prečítajte bezpečnostné pokyny.



Používajte ochranu sluchu.



**Udržujte ostatné osoby v bezpečnej vzdialenosti!
VAROVANIE! Pri práci s týmto zariadením dávajte pozor, aby sa v jeho blízkosti nenachádzali žiadne iné osoby (bezpečná vzdialenosť: 5 m).
To platí najmä pre deti a zvieratá.**



Dávajte pozor na ostré hrany sekacieho noža.



**Nebezpečenstvo zranenia!
Dávajte pozor na vymrštené predmety.
Zabráňte prístupu nepovolaných osôb.**



Dávajte pozor na ostré hrany sekacieho noža. Nože sa budú ešte chvíľu otáčať aj po vypnutí motora.



Pred použitím tohto náradia si pozorne prečítajte návod na obsluhu.



Chráňte toto náradie pred vlhkosťou a nikdy ho nenechávajte na daždi!



Zaručená úroveň akustického výkonu Lwa 96 dB (A)



Pred vykonávaním akejkoľvek údržby a opráv odpojte od tejto kosačky na trávnu istič.

3. OPIS

1. Držadlo rukoväti s penou
2. Štartovacia páčka
3. Prepínací box
4. Horná rukoväť
5. Krídlová matica (×2)
 - a. Podložka (×2)
 - b. Montážna skrutka (×2)
6. Dolná rukoväť
7. Ukazovateľ zaplnenia
8. Horný kryt zberača trávy
 - a. Rám zberača trávy
 - b. Skrutky (×1)
9. Kôš na trávu
10. Zadná záklopka
11. Podporná zostava rukoväti
 - a. Kolesko na nastavenie uhla (×2)
 - b. Skrutka (×4)
 - c. Pevné kolesko (×2)
 - d. Zostava skrutky s podložkou (×4)
12. Zadné kolesko (×2)
 - Krytka zadného koleska (×2)
13. Sekacie ústrojenstvo
14. Horný kryt
15. Páčka na nastavenie výšky kosenia
16. Kryt batérie
17. Predné kolesko (×2)
 - Krytka predného koleska (×2)
18. Rukoväť zberača trávy
19. Rukoväť na prenášanie
20. Bezpečnostný kľúč
21. Nabíjačka (nie je súčasťou príslušenstva)
22. Akumulátor (nie je súčasťou príslušenstva)
23. Káblková svorka

4. ZÁKLADY BEZPEČNOSTI PRI PRÁCI

DÔLEŽITÉ BEZPEČNOSTNÉ POKYNY PRE AKUMULÁTORY

- ☛ Batérie predstavujú chemický zdroj elektrickej energie obsahujúci chemické zlúčeniny, ktoré môžu spôsobiť poškodenie zdravia, majetku alebo životného prostredia. Preto s nimi manipulujte opatrne.
- ☛ Batéria je kedykoľvek pripravená dodávať energiu, aj za nežiaducich okolností!
- ⚠ **POZOR!** Aj pri čiastočne nabitých batériách môže dôjsť ku skratu a následnému poškodeniu batérie. V najhoršom prípade môže dôjsť k explózii alebo požiaru. Preto vždy zaobchádzajte s batériami spôsobom, pri ktorom nemôže dôjsť ku skratu (napr. kancelárskymi sponkami, mincami, kľúčmi, klincami, skrutkami alebo inými malými kovovými predmetmi)!
To platí aj pre skladovanie.
- ☛ Používajte iba batérie odporúčané výrobcami zariadenia.
- ☛ Batérie nie je dovolené skladovať alebo používať v blízkosti otvoreného ohňa. Je takisto zakázané hádzať ich do ohňa.
- ☛ Nelikvidujte staré batérie vyhodnením do bežného domového odpadu.
- ☛ Nikdy sa tiež nedotýkajte nožov, kým nie je zariadenie odpojené od zdroja energie a kým sa nože celkom nezastavia.
- ☛ Odpojte zariadenie od zdroja energie (t. j. vyberte batériu zo zariadenia):
 - Ak potrebujete ponechať zariadenie bez dohľadu
 - Ak musíte nechať zariadenie nestrážené
 - Pred každou kontrolou, každým čistením alebo opravami
 - Ak doň počas práce narazí cudzí predmet
 - Ak zariadenie nadmerne vibruje.

- ✿ Pozorne si prečítajte základy bezpečnej práce so zariadením a túto používateľskú príručku.
- ✿ Toto zariadenie nesmú používať osoby s obmedzenými fyzickými, zmyslovými alebo duševnými schopnosťami (vrátane detí). Ďalej ho nesmú používať neskúsené osoby, ktoré nemajú technické znalosti na jeho ovládanie. Tieto osoby musia byť pod dohľadom kompetentnej osoby alebo musia dostať pokyny o základoch bezpečnosti pri práci.
- ✿ Ak sa v blízkosti tohto zariadenia pohybujú deti, zaistíte, aby sa s týmto zariadením nemohli hrať.
- ✿ Tŕpnutie v rukách alebo strata citu sú dôsledkom nadmerných vibrácií.
Ak takáto situácia nastane, skráťte pracovný cyklus, robte dostatočne dlhé prestávky, podelte sa o prácu s inými alebo, ak sa táto kosačka na trávu používa dlhý čas, noste špeciálne antivibračné rukavice.
- ✿ Nevyhnutným dôsledkom používania tejto kosačky na trávu je prevádzkový hluk. Preto robte hlučné práce iba počas určených hodín, keď je tento druh aktivity normálny. Rešpektujte čas pokoja a skúste obmedziť prácu na čo najkratší čas.
Odporúčame takisto, aby obsluha aj osoby v okolí nosili ochranu sluchu.

DÔLEŽITÉ BEZPEČNOSTNÉ POKYNY PRE NABÍJAČKY BATÉRIÍ

- ⚠ **POZOR!** Nebezpečenstvo úrazu elektrickým prúdom!
- ⚠ **POZOR!** Pred každým použitím skontrolujte nabíjačku, kábel a zástrčku. Ak zistíte poškodenie, nesmiete nabíjačku používať.
- ⚠ **POZOR!** Pred použitím si prečítajte všetky pokyny a varovania na nabíjačke a puzdre batérie.
- ✿ Nevystavujte túto nabíjačku dažďu, snehu a vlhkosti. Vniknutie vody do nabíjačky batérií zvyšuje nebezpečenstvo úrazu elektrickým prúdom.
- ✿ Na zníženie nebezpečenstva poškodenia zástrčky a napájacieho kábla vždy odopájajte napájací kábel ťahaním za zástrčku (nie ťahaním za kábel).
- ✿ Zaistíte, aby bol kábel umiestnený tak, aby naň nemohol nikto šliapnúť, aby oň nemohol nikto zakopnúť alebo ho inak poškodiť.
- ✿ Nikdy nenabíjajte batériu vo výbušnom prostredí, v blízkosti horľavých látok alebo v horľavom prostredí. Nepoužívajte ju na ľahko zápalných povrchoch (napr. papier, textilná a pod.).
- ✿ Nabíjačku nerozoberajte. Ak potrebujete vymeniť alebo opraviť, odnesť ju do autorizovaného servisného strediska. Pri nedodržaní tohto pokynu môže dôjsť k úrazu elektrickým prúdom alebo k požiaru.
- ✿ NIKDY neskladujte a nepoužívajte nabíjačku v miestach, kde môže teplota dosiahnuť alebo prekročiť 50 °C (ako napríklad prístrešky, automobily a pod.).
- ✿ Skontrolujte, či je sieťové napätie v rozsahu vyžadovanom výrobcom nabíjačky. Obvod musí mať adekvátnu prúdovú ochranu.

INÉ NEBEZPEČENSTVÁ

- ⚠ **POZOR!** V prípade mechanického poškodenia priestoru na batériu sa vyvarujte kontaktu s chemikáliami, ktoré z neho môžu uniknúť. V prípade kontaktu s chemikáliami okamžite opláchnite zasiahnuté miesto čistou vodou. V prípade nadmerného kontaktu alebo chemického popálenia alebo zasiahnutia očí vyhľadajte okamžite lekársku pomoc.

- ☛ Napriek tomu, že sú naše produkty navrhnuté tak, aby spĺňali platné technické normy a bezpečnostné predpisy, existujú pre používateľa používajúceho toto zariadenie aj napriek tomu určité riziká:
 - Zo sekacieho ústrojenstva sa môžu vymrštiť kamene alebo iné úlomky.
 - Ak obsluha zariadenia nepoužíva ochranu sluchu, riskuje následnú hluchotu.
 - Zranenie prstov počas údržby noža
 - Vdýchnutie kúskov odrezanej trávy
 - Úraz elektrickým prúdom dotykom neizolovaných častí.
- ☛ Toto zariadenie nesmú používať osoby s obmedzenými fyzickými, zmyslovými alebo duševnými schopnosťami (vrátane detí), neskúsenými osobami a osobami, ktorých technické znalosti sú pre danú úlohu evidentne nedostatočné; tieto osoby by mali toto zariadenie používať iba pod dohľadom osoby kompetentnej pre danú úlohu alebo pod podmienkou, že sú dôkladne preškolené pre bezpečnú prácu s týmto zariadením.
- ☛ Ak sa v blízkosti tohto zariadenia pohybujú deti, zaistíte, aby sa s týmto zariadením nemohli hrať.

⚠ POZOR! Pred použitím tejto kosačky na trávu si pozorne prečítajte túto používateľskú príručku. Dôkladne sa oboznámte so všetkými ovládacími prvkami. Dodržiavanie bezpečnostných predpisov na prácu na tomto zariadení minimalizuje nebezpečenstvo požiaru, úrazu elektrickým prúdom alebo iných zranení.

- ☛ Starostlivo túto používateľskú príručku uschovajte na neskoršie použitie.
- ☛ V prípade nesprávneho ovládania tohto zariadenia môže dôjsť k zraneniu. Táto kosačka na trávu by mohla spôsobiť vážne zranenia obsluhu a osobám v jej blízkosti, a preto je nutné vždy dodržiavať bezpečnostné predpisy na prácu, aby sa do maximálnej možnej miery eliminovalo riziko. Používateľ zodpovedá počas používania tohto zariadenia za bezpečnosť. Nikdy nepoužívajte toto zariadenie, ak chýba alebo celkom nefunguje ktorýkoľvek z jeho bezpečnostných prvkov.

PRED POUŽITÍM TEJTO KOSAČKY NA TRÁVU

- ☛ Prečítajte si pozorne všetky pokyny uvedené v tejto používateľskej príručke. Dôkladne sa oboznámte s ovládacími prvkami zariadenia a zásadami jeho správneho používania.
- ☛ Nikdy nedovoľte deťom alebo komukoľvek, kto nepozná ovládacie prvky a bezpečnostné predpisy pre prácu s týmto zariadením, aby toto zariadenie sám používal. Národná legislatíva môže takisto vyžadovať minimálny vekový limit pre používanie tohto typu zariadenia. Preštudujte si, prosím, zákony platné pre tieto zariadenia vo vašej krajine.
- ☛ Nikdy nepoužívajte kosačku na trávu, ak sa v blízkosti pohybujú iné osoby, a to najmä deti alebo domáce zvieratá.
- ☛ Vždy pamätajte na to, že používateľ nesie plnú zodpovednosť za zranenia alebo poškodenia majetku spôsobené používaním tohto zariadenia.

PRÍPRAVA NA POUŽITIE

- ☛ Pri práci s týmto zariadením nosíte vhodnú obuv a dlhé nohavice. Nikdy nepoužívajte túto kosačku na trávu, ak ste bosí alebo máte sandále.
- ☛ Pred začatím práce skontrolujte zem a odstráňte akékoľvek predmety, ktoré by mohlo toto zariadenie vymrštiť.

⚠ POZOR! Pred každým použitím tohto zariadenia sa uistite, že nôž, jeho montážny čap a všeobecne telo tejto kosačky na trávnu nie sú poškodené alebo nadmerne opotrebované. Vždy vymeňte poškodený alebo opotrebovaný diel, ktorý existuje na tomto zariadení v súprave, ako celú súpravu, aby nedochádzalo k nerovnováhe.

OVLÁDANIE

- ✿ Používajte toto zariadenie iba za denného svetla alebo za dostatočného umelého osvetlenia.
- ✿ Ak je to možné, nekoste mokrú trávnu.
- ✿ Zaisťte, aby ste mali počas práce vždy pevnú pôdu pod nohami a bezpečný postoj.
- ✿ Pri tlačením tejto kosačky na trávnu nebehajte – pohybujte sa normálnou rýchlosťou chôdze.
- ✿ Pre prácu s kosačkami na trávnu platia nasledujúce všeobecné pravidlá: Pri kosení na svahu sa nepohybujte hore a dole, ale vždy po vrstevniciach, t. j. vodorovne a kolmo ku sklonu svahu.
- ✿ Pri zmene smeru svahu buďte obzvlášť opatrní.
- ✿ Nikdy nepoužívajte túto kosačku na trávnu na extrémne príkrych svahoch.
- ✿ Ak potrebujete pritiahnúť spustenú kosačku na trávnu k sebe alebo ak s ňou potrebujete ísť dozadu, buďte veľmi opatrní.
- ✿ Pred prepravou zariadenia alebo pred presunom cez oblasť bez trávny vždy zastavte otáčanie nožov.
- ✿ Nikdy nepoužívajte toto zariadenie, ak sú poškodené akékoľvek kryty alebo ak chýba akýkoľvek z jeho bezpečnostných prvkov, ako sú napríklad deflektory alebo zberné koše.
- ✿ Motor vždy štartujte spôsobom uvedeným v tejto používateľskej príručke a zaisťte, aby ste nestáli v blízkosti nožov.
- ✿ Nikdy toto zariadenie pri štartovaní motora nenakláňajte, ak to nie je naozaj nevyhnutné na jeho naštartovanie. V takom prípade otočte stranu kosačky, ktorá je ďalej od vás vzdialenejšia, smerom hore.
- ✿ Nikdy nestrkajte ruky alebo chodidlá pod túto kosačku na trávnu, najmä do blízkosti pohybujúcich sa dielov. Nikdy nezakrývajte otvor na vytlačenie trávny.
- ✿ Nikdy neprepravujte toto zariadenie s bežiacim motorom.
- ✿ Vždy najprv zastavte motor a vyberte zo zariadenia batériu; iba potom môžete opravovať poruchy alebo vyprázdňovať zberný kôš.
 - Rovnakým spôsobom postupujte pred každou kontrolou, čistením alebo opravami zariadenia.
 - Ak narazíte do cudzieho predmetu, skontrolujte, či nedošlo k poškodeniu tejto kosačky na trávnu; ak došlo k poškodeniu, kosačku pred ďalším spustením motora opravte.
 - Alebo ak začne zariadenie vibrovať viac, než je bežné (okamžite zariadenie skontrolujte!)
- ✿ Zastavte motor, kedykoľvek sa od zariadenia vzdialíte.

ÚDRŽBA A SKLADOVANIE

- ✿ Vždy zaisťte, aby boli všetky matice, čapy a skrutky pevne dotiahnuté, a bola tak zaistená bezpečná prevádzka zariadenia.
- ✿ Pravidelne kontrolujte, či nedošlo k poškodeniu alebo nadmernému opotrebeniu zberného koša.
- ✿ Opatrebované alebo poškodené diely ihneď vymeňte. Tak zaisťte bezpečnú prevádzku vašej kosačky na trávnu.
- ✿ Pri nastavovaní nastaviteľných prvkov dávajte pozor, aby sa vám nepriškrpili prsty medzi pohyblivými nožmi a pevnou časťou zariadenia. Pred uložením tejto kosačky na trávnu do uzatvorenej miestnosti nechajte motor vychladnúť.

5. ZOSTAVENIE A POUŽÍVANIE

VYBALENIE

- ✿ Vybalíte všetky diely a položte ich na rovný stabilný povrch.
- ✿ Odstráňte všetky obalové materiály a prepravné prvky (ak existujú).
- ✿ Uistite sa, že máte k dispozícii všetky diely a že tieto diely nie sú poškodené. Ak niektoré diely chýbajú alebo sú poškodené, nepoužívajte produkt a kontaktujte vášho predajcu. Používanie nekompletného alebo poškodeného produktu predstavuje nebezpečenstvo pre osoby a hrozí aj poškodenie majetku.
- ✿ Zaisťte, aby ste mali k dispozícii všetko príslušenstvo a nástroje potrebné na zostavenie a používanie. Patria sem aj vhodné osobné ochranné pomôcky.

⚠ VAROVANIE! Tento produkt a obalové materiály nie sú hračkou pre deti!
Nedovoľte deťom hrať sa s igelitovými vrecúškami, fóliami a malými dielmi! Hrozí nebezpečenstvo zablokovania dýchacích ciest a udusenía!

BUDETE POTREBOVAŤ / PRED TÝM, NEŽ ZAČNETE

(nedodávané položky)

Vhodné osobné ochranné pomôcky

Vhodný krížový skrutkovač

Vhodný maticový kľúč

akumulátor (22) a nabíjačku batérií (21)

(dodávané položky)

Zberač trávy (7, 8, 9, 18)

📖 Poznámka: Požadované príslušenstvo závisí od zamýšľaného spôsobu použitia. Požiadajte o radu predajcu.

📖 Poznámka: Diely označené * nie sú v tomto prehľade zobrazené. Pozrite sa, prosím, na príslušný diel v návode na obsluhu.

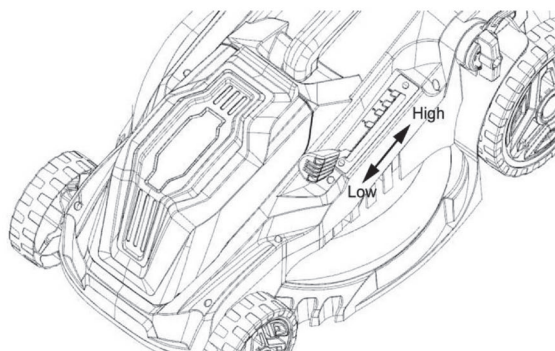
ZOSTAVENIE

⚠ VAROVANIE! Nepoužívajte čiastočne zostavený produkt alebo produkt s poškodenými dielmi!
Dodržujte krok za krokom montážne pokyny a používajte ako vizuálneho sprievodcu dodávané obrázky, uľahčujúce zostavenie produktu!
Nepripájajte produkt k akumulátoru (22) pred jeho kompletným zostavením!

📖 Poznámka: Dávajte pozor na malé diely odobrané počas montáže alebo nastavovania. Uložte ich na bezpečné miesto, aby sa nestratili.

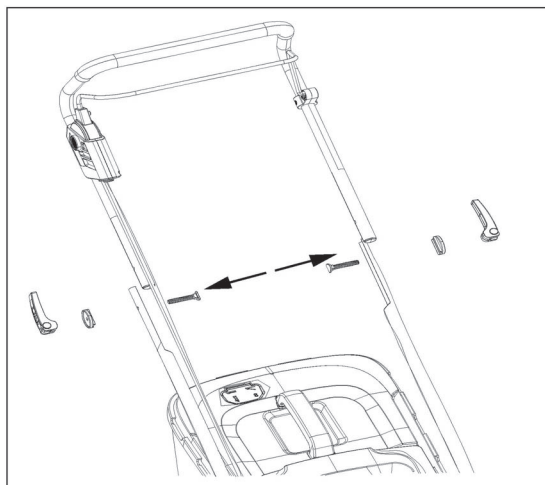
DOLNÁ RUKOVÄŤ

- ✿ Postavte hlavnú jednotku (13) na zem.
- ✿ Pripojte dolnú rukoväť (6) s podpornou zostavou rukoväti (11): pomocou 2 skrutiek (11-b) namontujte koliesko na nastavenie uhla (11-a) k dolnej rukoväti (6). Dolná rukoväť (6) je pripojená k hlavnej jednotke (13) pomocou spojenia kolieska na nastavenie uhla (11-a) a pevného kolieska (11-c).



HORNÁ RUKOVÄŤ

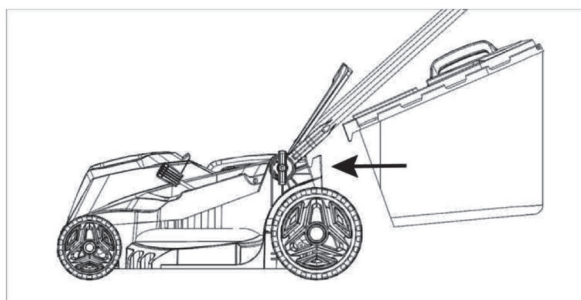
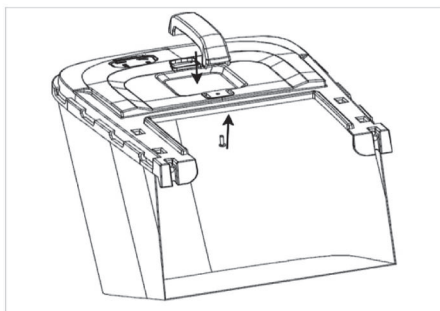
- ✿ Podržte hornú rukoväť (1) so štartovacou páčkou (2) otočenou nahor. Vyrovnajte montážne otvory hornej rukoväti (1) a dolnej rukoväti (6).
- ✿ Pretiahnite montážne skrutky (5-b) montážnymi otvormi hornej rukoväti (1), dolnej rukoväti (6) a podložkou (5-a) až na koniec, a dotiahnite skrutku (5-b) pomocou krídlovej matice (5).
- ✿ Zaistíte, aby sa elektrická šnúra viedla po rukovätiach.
- ✿ Pripevnite elektrickú šnúru pomocou káblvej svorky (23) na dolnej rukoväti (6).



ZBERNÝ KÔŠ

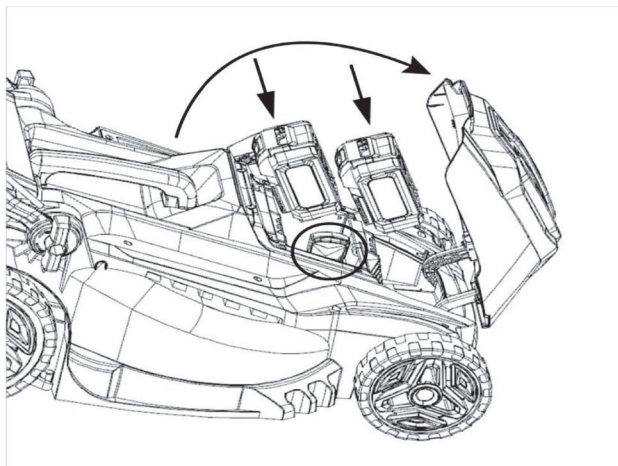
- ✿ Umiestnite kôš na trávu (9) do rámu (8-a) a vložte rukoväť zberača trávy (18) do horného krytu (8), a pomocou skrutky (8-b) pripevnite.
- ✿ Otvorte zadnú záklopku (10) a podržte ju v príslušnej polohe.
- ✿ Potom opatrne zadnú záklopku (10) uvoľnite.

 **Poznámka:** Zberač trávy prenášajte vždy pomocou jeho rukoväti (18).



AKUMULÁTOR PRIPEVNIENIE AKUMULÁTORA

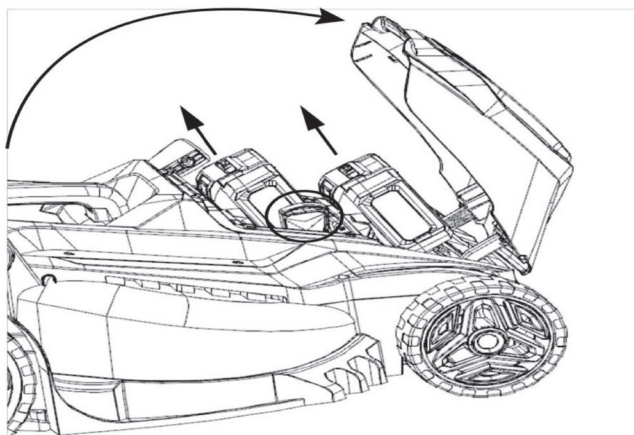
- ✿ Zatiahnutím otvorte kryt batérie (16).
- ✿ Odpojte bezpečnostný kľúč (20) a nechajte ho visieť na jeho šnúrke.
- ✿ Vsuňte akumulátor (22) do štrbín priestoru na batériu.
- ✿ Uistite sa, že sú elektrické kontakty plne zasunuté do akumulátora (22) a že bolo vsunutie na správne miesto potvrdené zacvaknutím.
- ✿ Akumulátor (22) je možné vložiť iba jedným smerom.
- ✿ Znovu vložte bezpečnostný kľúč (20) do jeho štrbiny.
- ✿ Zavrite kryt batérie (16).



UVOLNENIE AKUMULÁTORA

Akumulátor (22) vložený do kosačky nie je možné nabíjať. Vyberte akumulátor (22) z priestoru na batériu alebo priestoru na náhradnú batériu a nabíjte ho.

- * Zatiahnutím otvoríte kryt batérie (16).
- * Stlačením uvoľňovacieho tlačidla odomknete západku akumulátora (22).
- * Vysuňte akumulátor (22) z priestoru na batériu.
- * Zavrite kryt batérie (16).



NABÍJANIE AKUMULÁTORA

Akumulátor (22) pre tento produkt sa expeduje v stave nízkeho nabitia. Pred použitím ho plne nabíjte.

PRIPOJENIE AKUMULÁTORA

- ✿ Zaisťte, aby bola uvoľnená štartovacia páčka (2) a aby nebolo stlačené tlačidlo bezpečnostného spínača.
- ✿ Pripevnite k produktu akumulátor (22). Uistite sa, že zacvakol do správnej polohy.
- ✿ Vložte bezpečnostný kľúč (20) plne do jeho štrbiny.
- ✿ Váš produkt je teraz pripravený na použitie.


ÚČEL POUŽITIA


Táto akumulátorová kosačka na trávnu je navrhnutá pre menovité napätie 40 V. Je navrhnutá iba na používanie s akumulátorom uvedeným v kapitole „Technické údaje“.

Tento produkt je určený na kosenie trávy iba v domácich záhradách.

Nesmie sa používať na kosenie neobvykle vysokej, suchej alebo mokrej trávy, ako napr. trávy na pastvine, alebo na drvenie listov. Z bezpečnostných dôvodov je nevyhnutné prečítať si pred prvým použitím celú používateľskú príručku a dodržiavať všetky v nej uvedené pokyny. Tento produkt je určený iba na súkromné domáce použitie, nie na komerčné obchodné použitie. Nesmie sa používať na iné účely, než ktoré sú tu uvedené.

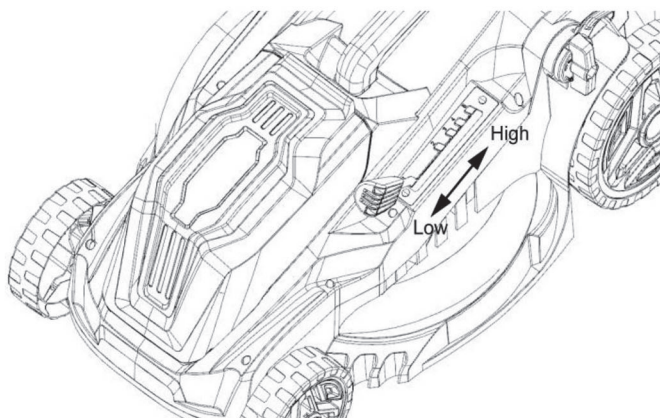
NASTAVENIE VÝŠKY KOSENIA

 **Poznámka:** K dispozícii je 5 úrovní výšky kosenia (30 – 75 mm).

 **VAROVANIE!** Pred nastavením výšky kosenia vypnite produkt a počkajte na úplné zastavenie pohybu sekacieho noža! Pred nastavením výšky kosenia odstráňte bezpečnostný kľúč (20)!

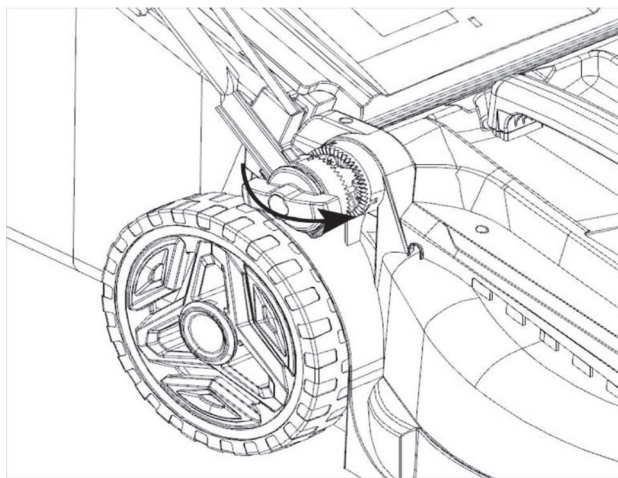
Nastavte výšku kosenia podľa vašich potrieb s ohľadom na stav trávniku. Výška kosenia závisí od druhu trávniku a jeho skutočnej výšky. Pri kosení vysokej trávy začnite maximálnou výškou kosenia a potom trávu pokoste druhýkrát s nižšou výškou kosenia.

- ✿ Vytiahnite páčku (15) smerom k zadnému koliesku (12).
- ✿ Posunutím dopredu alebo dozadu nastavte výšku kosenia.
- ✿ Uvoľnite páčku (15) a zaisťte, aby bola správne zasunutá do štrbiny



NASTAVENIE TYČE RUKOVĀTI

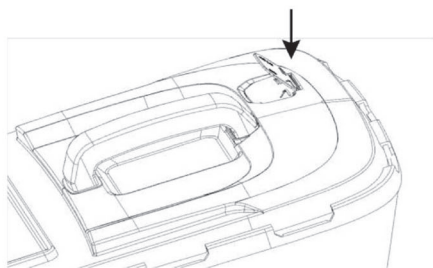
- ✿ Uvoľnite koliesko na nastavenie uhla (11-a) proti smeru hodinových ručičiek, ale neodstraňujte ho.
- ✿ Uchopte držiadlo rukoväti (1) a nastavte ju do polohy pohodlnej pre používateľa.
- ✿ Potom dotiahnite koliesko na nastavenie uhla (11-a) v smere hodinových ručičiek.



UKAZOVATEĽ ZAPLNENIA

Zberač tráv je vybavený poklopom, ktorý počas kosenia ukazuje zaplnenie.

- ✿ Keď je poklop otvorený, ukazovateľ (7) sa nadvihuje prúdom zvuku, čo znamená, že zberač tráv má ešte dostatočnú kapacitu na ďalší zber tráv.
- ✿ Po uzatvorení poklopu je zberač tráv plný a musí sa vyprázdniť.



Poznámka: Plný zberač tráv znižuje výkon tohto produktu.

VYPRÁZDNIENIE

Počas používania zberač trávy často vyprázdňujte. Nečakajte na jeho kompletné zaplnenie. Odporúčame ho vyprázdniť už po polovičnom zaplnení.

Plný zberač trávy znižuje výkon tohto produktu. Vypnite produkt a uistite sa, že je zastavený motor a sekací nôž sa prestal otáčať.

- ✿ Zdvihnite zadnú zámku (10) a zdvihnite zberač trávy z háčikov
- ✿ Odstráňte odrezky trávy zo zadného vyprázdňovacieho otvoru do zberača trávy. Použite vhodný nástroj, napríklad kefu.
- ✿ Odstráňte zberač trávy pomocou jeho prepravnej rukoväti.
- ✿ Vyprázdniť odrezky trávy na kompostovaciu hromadu.
- ✿ Zberač trávy znovu pripevnite k produktu.

VŠEOBECNÉ OVLÁDANIE

- ✿ Pred každým použitím produktu skontrolujte, či nedošlo k poškodeniu tohto produktu, jeho akumulátora, nabíjačky alebo príslušenstva. Nikdy nepoužívajte tento produkt, ak je akýmkoľvek spôsobom poškodený alebo vykazuje známky opotrebenia. Vyriešte každý problém, na ktorý narazíte alebo nechajte produkt skontrolovať kvalifikovaným technikom.
- ✿ Dvakrát skontrolujte správne pripevnenie príslušenstva a doplnkov.
- ✿ Produkt vždy tlačte pomocou držadla rukoväti (1). Udržujte rukoväť v suchu, aby bola zaistená bezpečná podpora.
- ✿ Zaisťte, aby boli otvory pre vzduch vždy voľné a čisté. V prípade potreby ich očistite jemnou kefou. Zablockované otvory pre vzduch môžu spôsobiť prehriatie a poškodenie produktu.
- ✿ Ak ste počas práce vyrušení osobami, ktoré vstúpili na pracovisko, produkt okamžite vypnite. Pred odstavením nechajte produkt vždy celkom zastaviť.
- ✿ Nenakladajte si príliš mnoho práce. Robte pravidelné prestávky, aby ste sa mohli koncentrovať na prácu a mali nad produktom vždy plnú kontrolu.

SPUSTENIE/ZASTAVENIE

⚠ VAROVANIE! Pred spustením postavte produkt na rovný povrch bez vysokej trávy! Vyčistite spodnú stranu sekacieho ústrojenstva! Opatrne podľa pokynov spustíte motor. Udržujte nohy v dostatočnej vzdialenosti od sekacieho noža! Pri štartovaní motora produkt nenakláňajte.

- ✿ Nainštalujte akumulátor (22) do priestoru na batériu.
- ✿ Vložte bezpečnostný kľúč (20) plne do jeho štrbiny.
- ✿ Uzavrte kryt batérie (16) a postavte sa za držadlo rukoväti (1).
- ✿ Zatiaľ čo držíte stlačené tlačidlo bezpečnostného spínača (3), vytiahnite štartovaciu páčku (2) smerom k držadlu rukoväti (1).
- ✿ Po spustení kosačky uvoľnite tlačidlo bezpečnostného spínača (3).
- ✿ Produkt začne kosiť.
- ✿ Na zastavenie kosačky uvoľnite štartovaciu páčku (2).

TECHNICKÉ ÚDAJE

Všeobecné	FZR 70375-0
Menovité napätie	2x20 V
Menovité otáčky naprázdno n0	2800 – 3400 min ⁻¹
Maximálna šírka kosenia	38 cm
Rozsah výšky kosenia	30 – 75 mm, 5 úrovní
Objem zberného koša	42 l
Veľkosť kolesa	140 (predné) / 178 (zadné) mm
Hmotnosť	pribl. 11,5 kg

PRÍSLUŠENSTVO

Číslo položky	Príslušenstvo
FDUZ 79020	Akumulátor 2 Ah
FDUZ 79040	Akumulátor 4 Ah
FDUZ 79100	Rýchla nabíjačka
FDUZ 79110	Rýchla duálna nabíjačka

6. RIEŠENIE PROBLÉMOV

⚠ NEBEZPEČENSTVO! Nebezpečenstvo zranenia! Neodborné opravy môžu znamenať, že vaša kosačka už nebude pracovať bezpečne. To ohrozuje vás aj pracovné prostredie.

Poruchy sú často spôsobené drobnými poruchami. Väčšinu z nich preto môžete ľahko opraviť sami. Pred kontaktovaním predajcu si, prosím, prečítajte nasledujúcu tabuľku. Tak si ušetríte množstvo problémov a možno aj peňazí.

Porucha/Chyba	Príčina	Riešenie
Náradie nefunguje.	Nie je akumulátor vybitý? Nie je akumulátor poškodený?	Nabíjanie akumulátora Kontaktujte miestneho predajcu.
Náradie nie je možné zapnúť.	Čakáte na oneskorenie pri spustení?	Počkajte na oneskorenie v trvaní 2 sekúnd.
Kosačka kosí trávu nerovnomerne.	Trávnik je členitý alebo hrbolatý. Nie je správne nastavená výška kosenia.	Skontrolujte kosenú plochu. Nastavte sekacie ústrojenstvo do vyššej polohy.
Podivné zvuky.	Nedošlo k uvoľneniu skrutiek alebo dielov? Nie sú v nožoch cudzie predmety? Nie je poškodený nôž?	Utiahnite skrutky. Odstráňte cudzie predmety. Nechajte nabrúsiť alebo vymeniť nôž.
Výsledok kosenia nie je uspokojivý.	Nie je nôž tupý?	Nechajte nabrúsiť alebo vymeniť nôž.

Ak nemôžete poruchu sami opraviť, kontaktujte najbližšieho predajcu. Uvedomte si, prosím, že akékoľvek nesprávne opravy rušia aj platnosť záruky a môžu vám spôsobiť ďalšie náklady.

7. ÚDRŽBA

⚠ POZOR! Pred odobratím zberného koša vždy kosačku vypnite a vyberte z nej akumulátor.

📖 Poznámka: Odporúčame vám pravidelne vykonávať nižšie uvedenú údržbu, aby sa predĺžila prevádzková životnosť a spoľahlivosť tohto zariadenia.

- ✿ Robte pravidelnú vizuálnu kontrolu, či na tomto zariadení nie sú chyby, ako napríklad uvoľnený nôž, nôž nainštalovaný obrátene, poškodený nôž či poškodené alebo nadmerne opotrebené diely.
- ✿ Takisto pravidelne kontrolujte, či nie sú ochranné kryty a ochranné prvky poškodené a či sú správne umiestnené.
- ✿ Pred použitím tohto zariadenia vykonajte všetky nevyhnutné opravy a údržbu.
- ✿ Ak toto zariadenie aj napriek pravidelnej údržbe nefunguje, obráťte sa, prosím, na náš zákaznícky servis. Opravu musí vykonávať náš zmluvný partner v niektorom zo špecializovaných servisov Fieldmann.

7.1 VÝMENA NOŽA

- ✿ Pri tomto úkone vám odporúčame kontaktovať autorizovaný servis.
- ✿ Vždy používajte originálne náhradné diely.

⚠ Dôležité! Pred vykonávaním kontroly nožov vždy vyberte z kosačky akumulátor a skontrolujte, či je vypnutý motor.

⚠ POZOR: Nezabudnite, že sa nôž kosačky otáča ešte niekoľko sekúnd po vypnutí motora. Nikdy sa nepokúšajte nôž zastaviť. V pravidelných intervaloch kontrolujte, či je nôž bezpečne upevnený, v dobrom stave a ostrý. Ak je to nutné, nabrúste ho alebo vymeňte.

V prípade, že nôž pri kosení narazí do cudzieho predmetu, zastavte kosačku a počkajte, než sa nôž celkom zastaví. Potom skontrolujte stav noža a jeho upevňovacích skrutiek.

Ak sú nože poškodené alebo ak došlo k strate skrutiek, musia sa okamžite vymeniť.

⚠ Dôležité! Pri práci používajte ochranné rukavice.

Povoľte skrutku upevňujúcu nôž (pomocou vhodného kľúča) otáčaním proti smeru pohybu hodinových ručičiek, odoberte nôž a nahraďte ho novým nožom. Skontrolujte, či je nový nôž namontovaný so správnou orientáciou. Utiahnite skrutku otáčaním v smere pohybu hodinových ručičiek.

7.2 STAROSTLIVOSŤ O AKUMULÁTOR

Skladovanie po ukončení sezóny

Z dôvodu zaistenia optimálneho výkonu vám odporúčame nabíjať akumulátor každé dva mesiace, ak sa nepoužíva.

⚠ POZOR: Pred uložením akumulátor plne nabite.

⚠ POZOR: Neskladujte akumulátor v miestach, kde teplota klesá pod 10 °C

8. LIKVIDÁCIA



Toto zariadenie, dobijacia batéria, príslušenstvo a obaly musia byť roztriedené, aby bola zaistená ich ekologická recyklácia.

Nevyhadzujte elektrické náradie a batérie alebo nabíjacie batérie do bežného domového odpadu!

Iba pre krajiny Európskej únie:



Podľa európskej smernice 2012/19/EÚ a v súlade s európskou smernicou 2006/66/ES sa musí elektrické náradie, ktoré už nie je použiteľné, a tiež chybné alebo použité akumulátory/batérie, roztriediť oddelene a zlikvidovať tak, aby nedošlo k ohrozeniu životného prostredia.

POKYNY A INFORMÁCIE K LIKVIDÁCII VYRADENÝCH OBALOVÝCH MATERIÁLOV

Odovzdajte všetok použitý obalový materiál na mieste, ktoré je určené miestnymi úradmi pre likvidáciu odpadu.

LIKVIDÁCIA VYRADENÝCH ELEKTRICKÝCH A ELEKTRONICKÝCH ZARIADENÍ



Tento symbol na produktoch alebo v priloženej dokumentácii znamená, že vyradené elektrické alebo elektronické produkty sa nesmú vyhadzovať do bežného komunálneho odpadu. Odovzdajte tieto produkty na určených zberných miestach, kde sa vykoná ich správna likvidácia, obnovenie a recyklácia. V niektorých štátoch Európskej únie alebo v niektorých európskych krajinách môžete pri nákupe zodpovedajúceho nového produktu vrátiť vaše produkty miestnemu predajcovi. Správnu likvidáciu tohto produktu pomáhať chrániť cenné prírodné zdroje a zabrániť možným negatívnym dopadom na životné prostredie a ľudské zdravie, ku ktorým by mohlo dôjsť v dôsledku nesprávnej likvidácie odpadu. Ďalšie podrobnosti vám poskytnú miestne úrady alebo najbližší zberný dvor. V prípade nesprávnej likvidácie tohto druhu odpadu sa môžu uložiť pokuty v súlade s platnými národnými predpismi.

Pre spoločnosti v krajinách Európskej únie

Ak chcete zlikvidovať elektrické alebo elektronické zariadenia, vyžiadajte si potrebné informácie od vášho predajcu alebo dodávateľa. Likvidácia v krajinách mimo Európskej únie. Ak chcete tento výrobok zlikvidovať, požiadajte miestne úrady alebo predajcu o nevyhnutné informácie o spôsobe likvidácie.



Tento výrobok spĺňa všetky základné požiadavky všetkých príslušných smerníc EÚ.

Text, dizajn a technické špecifikácie sa môžu zmeniť bez predchádzajúceho upozornenia a vyhradujeme si právo na vykonávanie týchto zmien.

Používateľská príručka v originálnom jazyku.

AKUMULÁTOROS FÜNYÍRÓ

38 CM **20V**^{LITHIUM} FASTPOWER

HASZNÁLATI ÚTMUTATÓ

Köszönjük, hogy megvásárolta ezt az akkumulátoros fűnyírót.

Használat előtt figyelmesen olvassa el a használati útmutatót és őrizze meg későbbi használatához.

TARTALOM

1. ÁLTALÁNOS BIZTONSÁGI ELŐÍRÁSOK.....	65
2. JELZÉSEK	66
3. LEÍRÁS	67
4. A MUNKABIZTONSÁG ALAPJAI	67
5. ÖSSZESZERELÉS ÉS HASZNÁLAT	71
6. HIBAELHÁRÍTÁS.....	79
7. KARBANTARTÁS.....	80
8. MEGSEMMISÍTÉS	81

1. ÁLTALÁNOS BIZTONSÁGI ELŐÍRÁSOK

FONTOS BIZTONSÁGI FIGYELMEZTETÉSEK


- ✿ Óvatosan csomagolja ki a terméket, és ne dobja el a csomagolás egyetlen részét sem, amíg meg nem találta a termék összes alkatrészét.
- ✿ A terméket helyezze száraz helyre és gyermekektől távol.
- ✿ Olvassa el valamennyi figyelmeztetést és utasítást. A figyelmeztetések vagy utasítások be nem tartása áramütést, tüzet és/vagy súlyos sérüléseket okozhat.

CSOMAGOLÁS

A terméket olyan csomagolásban szállítjuk, amely védi a szállítás közbeni sérüléstől. Ez a csomagolás másodlagos nyersanyag, amely újra feldolgozható.

FELHASZNÁLÓI KÉZIKÖNYV

Mielőtt elkezdené a munkát a szerszámmal, olvassa el az alábbi biztonsági szabályokat és használati utasításokat. Ismerkedjen meg alaposan a szerszám kezelőelemeivel és megfelelő használatával. Tartsa ezt a felhasználói útmutatót biztonságos helyen a későbbi egyszerű használat érdekében. Az eredeti csomagolást, beleértve a belső csomagolóanyagot, a jótállási jegyet és a vásárlás igazolását, legalább a garancia időtartamáig őrizze meg. Ha az elektromos szerszámot más helyre kell szállítani, a maximális védelem biztosítása érdekében a kezelés és szállítás során csomagolja az eredeti kartondobozba (például költözéskor, vagy amikor az elektromos szerszámot szervizbe küldi javításra).

-  **Megjegyzés:** Ha másnak adja át a gépet, mellékelje hozzá ezt a felhasználói kézikönyvet. Ügyeljen rá, hogy a gépet helyesen, a felhasználói kézikönyvben szereplő utasításoknak megfelelően használják. Az üzemeltetési utasításokon kívül a felhasználói kézikönyv a karbantartási és javítási munkákkal kapcsolatos utasításokat is tartalmazza.

A gyártó nem vállal felelősséget ezen utasítások be nem tartása miatt okozott balesetekért vagy károkért.

2. JELZÉSEK



**A vágószerkezet sérülést okozhat!
Soha ne nyúljon a vágószerkezetbe.**



Védje a látását.



A készülék első használata előtt olvassa el a biztonsági utasításokat.



Használjon fülvédőt.



**Másokat tartson biztonságos távolságban!
FIGYELMEZTETÉS! Ha ezzel a készülékkel dolgozik, ügyeljen rá, hogy a közelben ne legyen más személy (a biztonságos távolság: 5 m).
Ez különösen gyermekekre és állatokra érvényes.**



Ügyeljen a vágókés éles széleire.



**Sérülésveszély!
Ügyeljen a kicsapódó tárgyakra.
Akadályozza meg illetéktelen személyek hozzáférését.**



Ügyeljen a vágókés éles széleire. A kések még egy darabig forognak a motor kikapcsolása után is.



A gép használata előtt figyelmesen olvassa el a használati útmutatót.



Óvja a készüléket a nedvességtől, és soha ne hagyja kint esőben!



Garantált akusztikai teljesítményszint LWA 96 dB (A)



Karbantartás és javítás elvégzése előtt válassza le az áramköri megszakítót a fűnyíróról.

3. LEÍRÁS

1. Habfogantyú
2. Indítókar
3. Kapcsolódoboz
4. Felső fogantyú
5. Szárnyas anyja (×2)
 - a. Alátét (×2)
 - b. Szerelő csavar (×2)
6. Alsó fogantyú
7. Töltésjelző
8. Fűgyűjtő felső fedele
 - a. Fűgyűjtő kerete
 - b. Csavarok (×1)
9. Fűgyűjtő kosár
10. Hátsó fedél
11. Fogantyútámasztó egység
 - a. Szögbeállító kerék (×2)
 - b. Csavar (×4)
 - c. Fix kerék (×2)
 - d. Csavaregység alátéttel (×4)
12. Hátsó kerék (×2)
 - Hátsó kerék védőfedele (×2)
13. Vágószerkezet
14. Felső fedél
15. Vágási magasság beállító kar
16. Az elemtartó rekesz fedele
17. Elülső kerék (×2)
 - Elülső kerék védőfedele (×2)
18. Fűgyűjtő fogantyúja
19. Áthelyező fogantyú
20. Biztonsági kulcs
21. Töltő (nem tartozék)
22. Akkumulátor (nem tartozék)
23. Kábelbilincs

4. A MUNKABIZTONSÁG ALAPJAI

FONTOS BIZTONSÁGI UTASÍTÁSOK AZ AKKUMULÁTORHOZ

- ☛ Az akkumulátorok kémiai vegyületeket tartalmazó elektromos vegyi források, amelyek károsíthatják az egészséget, a vagyont vagy a környezetet. Ezért óvatosan kezelje.
- ☛ Az akkumulátor nemkívánatos körülmények között is mindig készen áll az áramellátásra!
- ⚠ **FIGYELEM!** Még a részlegesen feltöltött akkumulátor esetén is rövidzárlat fordulhat elő, és megrongálhatja azt. Legrosszabb esetben robbanás vagy tűz keletkezhet. Ezért mindig úgy kezelje az akkumulátort, hogy ne keletkezzen rövidzárlat (pl. kapcsolokkal, érmékkel, kulcsokkal, szegekkel, csavarokkal vagy más apró fémtárgyakkal)!
Ez tároláskor is érvényes.
- ☛ Csak gyártó által javasolt akkumulátort használjon.
- ☛ Az elemeket tilos nyílt láng közelében tárolni és használni. Szintén tilos tűzbe dobni.
- ☛ Az üreg akkumulátorokat ne dobja a háztartási hulladékba.
- ☛ Hasonlóképpen soha ne érjen a késekhez, amíg a gépet le nem választotta az energiaforrásról, és a kések teljesen le nem állnak.
- ☛ Válassza le a készüléket az energiaforrásról (azaz vegye ki az akkumulátort a készülékből):
 - Ha felügyelet nélkül kell hagynia a készüléket
 - Ha felügyelet nélkül kell hagynia a készüléket
 - Minden ellenőrzés, minden tisztítás és javítás előtt
 - Ha idegen tárgy ütközik bele munka közben
 - Ha a készülék túlságosan rázkódi.
- ☛ Gondosan olvassa el a készülék biztonságos üzemeltetésének alapjait és ezt a felhasználói kézikönyvet.

- ✿ Ezt a készüléket nem használhatja korlátozott fizikai vagy szellemi képességű személy (gyerekeket is beleértve). Ezenkívül nem használhatják tapasztalatlan személyek, akik nem rendelkeznek elegendő technikai ismeretekkel a működtetéséhez. Ezeknek a személyeknek hozzáférőt személy felügyelete alatt kell lenniük, vagy utasításokat kell kapniuk a munkahelyi biztonság alapjairól.
- ✿ Ha gyerekek mozognak a készülék közelében, ellenőrizze, hogy nem tudnak a készülékkel játszani.
- ✿ A kézrengés vagy az érzékesztés a túlzott rezgés eredménye.
Ha ez a helyzet bekövetkezik, rövidítse le a munkaciklust, tartson elég hosszú szüneteket, ossza meg munkáját másokkal, vagy ha ezt a fűnyírót hosszú ideig használja, viseljen speciális rezgésgátló kesztyűt.
- ✿ A fűnyíró használatának elkerülhetetlen következménye a működési zaj. Ezért zajos munkát csak meghatározott órákban végezzen, amikor ez a fajta tevékenység normális. Tartsa tiszteltben a pihenőidőt, és próbálja a lehető legrövidebb időre korlátozni a munkát.
Javasoljuk továbbá, hogy a kezelő és a kívülállók viseljenek hallásvédőt.

FONTOS BIZTONSÁGI UTASÍTÁSOK AZ AKKUMULÁTOR TÖLTŐKHÖZ

⚠ FIGYELEM! Áramütés veszélye!

⚠ FIGYELEM! Minden használat előtt ellenőrizze a töltőt, kábelt és dugót. Ha károsodást észlel, ne használja a töltőt.

⚠ FIGYELEM! Használat előtt olvassa el az összes útmutatást és figyelmeztetést a töltőn és az akkumulátorházon.

- ✿ Ne tegye ki a töltőt esőnek, havazásnak se nedvességnek. Víz bekerülése az akkumulátor töltőbe növeli az áramütés veszélyét.
- ✿ A dugó és a tápkábel károsodásának kockázatának csökkentése érdekében mindig húzza ki a tápkábelt a csatlakozó (nem a vezeték) meghúzásával.
- ✿ Győződjön meg, hogy a vezeték úgy van elhelyezve, hogy ne léphessen rá, ne botolhasson meg benne, vagy más módon ne sérüljön meg.
- ✿ Soha ne töltsen az akkumulátort robbanásveszélyes környezetben, gyúlékony anyagok közelében vagy gyúlékony környezetben. Ne használja könnyen gyúlékony felületeken (pl. papír, textíliák stb.).
- ✿ A töltőt ne szedje szét. Ha ki kell cserélni vagy javítani, vigye el hivatalos szervizközpontba. Az utasítás figyelmen kívül hagyása áramütést vagy tüzet okozhat.
- ✿ SOHA ne tárolja és ne használja a töltőt olyan helyeken, ahol a hőmérséklet elérheti vagy meghaladhatja az 50 °C-ot (pl. fedett terek, autók stb.).
- ✿ Ellenőrizze, hogy a hálózati feszültség a töltő gyártója által előírt tartományon belül van-e. Az áramkörnek megfelelő áramvédelemmel kell rendelkeznie.

TOVÁBBI VESZÉLYEK

⚠ FIGYELEM! Az akkumulátortér mechanikai károsodása esetén kerülje az érintkezést a vegyszerekkel, amelyek kiszivároghatnak belőle. Vegyszerekkel való érintkezés esetén azonnal öblítse le tiszta vízzel az érintett területet. Túlzott érintkezés, vegyi égési sérülés vagy szembe kerülés esetén azonnal orvoshoz kell fordulni.

- ☛ Noha termékeinket az alkalmazandó műszaki szabványoknak és biztonsági előírásoknak megfelelően alakítottuk ki, az eszközt használó felhasználók számára továbbra is fennállnak bizonyos kockázatok:
 - A vágófej kidobhat köveket vagy más törmeléket.
 - Ha a kezelő nem használ hallásvédőt, fennáll a süketülés veszélye.
 - Ujjsérülések a kés karbantartása során
 - Vágott fűdarabok belégzése
 - Áramütés a nem szigetelt részek érintése esetén.
- ☛ Ezt az eszközt nem használhatják csökkent fizikai, érzékszervi vagy szellemi képességekkel rendelkező személyek (beleértve a gyermekeket), tapasztalatlan személyeket és olyan személyeket, akiknek műszaki ismeretei egyértelműen nem elegendőek a feladat elvégzéséhez; ezek a személyek csak ezt a feladatot ellátó személy felügyelete mellett használhatják ezt a berendezést, vagy feltéve, hogy alaposan kiképzettek a berendezés biztonságos használatára.
- ☛ Ha gyerekek mozognak a készülék közelében, ellenőrizze, hogy nem tudnak a készülékkel játszani.

⚠ FIGYELEM! A fűnyíró használata előtt figyelmesen olvassa el a teljes útmutatót. Alaposan ismerkedjen meg minden kezelőelemmel. A készülékkel való munka biztonsági előírásainak betartása minimalizálja a tűz, áramütés vagy egyéb sérülések kockázatát.

- ☛ Órizzze meg a használati utasításokat a későbbiekre.
- ☛ A készülék nem megfelelő használata sérülést okozhat. Ez a fűnyíró súlyos sérüléseket okozhat a kezelőnek és a közelében lévő személyeknek, ezért a kockázat lehető legnagyobb mértékű kiküszöbölése érdekében mindig be kell tartani a munkavégzés biztonsági előírásait.
A készülék használata közben a kezelő felel a biztonságért. Soha ne használja ezt a készüléket, ha valamelyik biztonsági funkciója hiányzik vagy nem működik.

A FŰNYÍRÓ HASZNÁLATA ELŐTT

- ☛ Figyelmesen olvassa el az útmutatóban található utasításokat. Alaposan ismerje meg a készülék kezelőelemeit és a helyes használat alapelveit.
- ☛ Soha ne engedje, hogy a készüléket egyedül használják gyermekek vagy bárki más, aki nem ismeri a vezérlő elemeket és a biztonsági előírásokat. A nemzeti jogszabályok előírhatják az ilyen típusú berendezések használatához a megengedett minimális életkort is. Tanulmányozza át az Ön országban érvényes, a berendezésre vonatkozó törvényeket.
- ☛ Soha ne használja a fűnyírót, ha más emberek mozognak a közelben, különösen gyermekek vagy háziállatok.
- ☛ Mindig emlékezzen arra, hogy a kezelő teljes felelősséggel tartozik az eszköz használatából eredő sérülésekért vagy anyagi károkért.

A HASZNÁLAT ELŐKÉSZÜLETEI

- ☛ Viseljen megfelelő cipőt és hosszúnadrágot, amikor ezzel a készülékkel dolgozik. Soha ne használja ezt a fűnyírót mezítábor vagy szandálban.
- ☛ A munka megkezdése előtt ellenőrizze a munkaterületet és távolítsa el minden olyan tárgyat, amit a szerszám elhajlíthat.

⚠ FIGYELEM! A készülék minden egyes használata előtt győződjön meg, hogy a fűnyíró penge, rögzítőcsap és általában a váz nem sérült vagy túlzottan kopott. Az egyensúlyhiány elkerülése érdekében mindig teljes készletként cserélje ki az eszköz sérült vagy kopott alkatrészeit.

VEZÉRLÉS

- ✿ A készüléket csak nappali fénynél vagy megfelelő erősségű mesterséges fény mellett használja.
- ✿ Ha lehet, ne nyírtson nedves fűvet.
- ✿ Győződjön meg, hogy a munka során mindig szilárd talaj van a lába alatt, és ügyeljen a biztonságos testtartásra.
- ✿ A fűnyíró tologatása közben ne fusson - normál járási sebességgel mozogjon.
- ✿ A fűnyíróval való munkára az alábbi általános szabályok érvényesek: Ha lejtőn nyírt, ne felfelé és lefelé mozogjon, hanem a szintvonalak mentén, tehát vízszintesen és merőlegesen a lejtőre.
- ✿ Legyen különösen óvatos a lejtő irányának megváltoztatásakor.
- ✿ Soha ne használja ezt a fűnyírót rendkívül meredek lejtőkön.
- ✿ Legyen nagyon óvatos, ha a leengedett fűnyírót maga felé kell húznia, vagy ha hátrafelé kell vele haladnia.
- ✿ Mindig állítsa le a késeket, mielőtt a gépet szállítaná vagy fű nélküli területen haladna át.
- ✿ Soha ne használja ezt a készüléket, ha bármelyik burkolat megsérült, vagy ha hiányzik bármely biztonsági eleme, például terelő vagy gyűjtőkosár.
- ✿ A motort mindig a használati útmutatóban leírtak szerint indítsa be, és gondoskodjon róla, hogy ne álljon túl közel a késekhez.
- ✿ Soha ne döntse meg ezt a készüléket a motor beindításakor, hacsak nem igazán szükséges a beindításhoz. Ebben az esetben emelje meg fűnyíró azon oldalát, amely távolabb van Öntől.
- ✿ Soha ne tegye a kezét vagy lábát a fűnyíró alá, különösen a mozgó részek közelébe. Soha ne takarja le a fűkibobó nyílást.
- ✿ Soha ne szállítsa a készüléket járó motorral.
- ✿ Először mindig állítsa le a motort, és vegye ki az akkumulátort a készülékből; csak ezután javíthatja meg a hibákat, vagy ürítheti a gyűjtőkosarat.
 - Ugyanígy járjon el a készülék minden ellenőrzése, tisztítása vagy javítása előtt.
 - Ha idegen tárgyba ütközik, ellenőrizze, hogy a fűnyíró nem sérült; sérülés esetén javítsa meg a fűnyírót, mielőtt újra beindítja a motort.
 - Vagy ha a készülék a szokásosnál jobban rezegni kezd (azonnal ellenőrizze a készüléket!)
- ✿ Mindig állítsa le a motort, ha eltávolodik a géptől.

KARBANTARTÁS ÉS TÁROLÁS

- ✿ A berendezés biztonságos működésének biztosítása érdekében mindig ellenőrizze az összes anya, csap és csavar szoros rögzítését.
- ✿ Rendszeresen ellenőrizze, hogy nem sérült vagy túl elhasználódott a gyűjtőkosár.
- ✿ Azonnal cserélje ki a kopott vagy sérült alkatrészeket. Így biztosítja a fűnyíró biztonságos működését.
- ✿ Az állítható alkatrészek beállításakor figyeljen rá, hogy ne dugja a kezét a mozgó kések és a készülék szilárd részei közé. A fűnyíró zárt helységbe helyezése előtt várja meg, amíg a motor kihűl.

5. ÖSSZESZERELÉS ÉS HASZNÁLAT

KICSOMAGOLÁS

- ☛ Csomagolja ki az összes alkatrészt, és helyezze őket sima, stabil felületre.
- ☛ Távolítsa el minden csomagolóanyagot és szállítási elemet (ha van).
- ☛ Bizonyosodjon meg róla, hogy megvan minden alkatrész, és ezek nem sérültek. Ha valamelyik alkatrész hiányzik vagy sérült, ne használja a terméket, és forduljon a forgalmazóhoz. A hiányos vagy sérült termék használata személyi és anyagi károk kockázatát hordozza magában.
- ☛ Győződjön meg arról, hogy az összeszereléshez és használatához szükséges összes tartozék és szerszám megvan. Ide tartozik a megfelelő egyéni védőfelszerelés is.

⚠ FIGYELMEZTETÉS! Ez a termék és a csomagolóanyagok nem gyerekeknek való játék!
Ne engedje, hogy gyerekek játsszanak a műanyag zacskókkal, fóliákkal és apró alkatrészekkel! Légúti elzáródás és fulladás veszélye áll fenn!

SZÜKSÉGE LESZ / MIELŐTT ELKEZDENÉ

(nem szállított tételek)

Megfelelő egyéni védőfelszerelés

Megfelelő keresztfejes csavarhúzó

Megfelelő csavarkulcs

akkumulátor (22) és akkumulátortöltő (21)

(szállított tételek)

Fűgyűjtő (7, 8, 9, 18)

📖 Megjegyzés: A szükséges tartozékok a tervezett felhasználástól függenek. Kérjen tanácsot az eladótól.

📖 Megjegyzés: A *-gal jelölt alkatrészek nem jelennek meg ebben az áttekintésben. Kérjük, nézze meg a használati útmutató megfelelő részét.

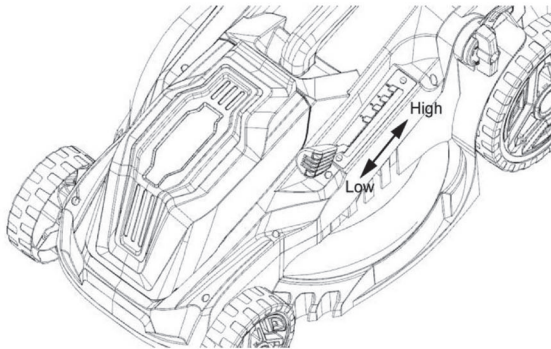
ÖSSZEÁLLÍTÁS

⚠ FIGYELMEZTETÉS! Ne használjon részben összeszerelt vagy sérült alkatrészeket tartalmazó terméket!
Kövesse a lépésenkénti összeszerelési utasításokat, és használja a mellékelt képeket vizuális útmutatóként a termék összeszerelésének megkönnyítése érdekében!
Ne csatlakoztassa a terméket akkumulátorhoz (22), amíg az nincs teljesen összeszerelve!

📖 Megjegyzés: Ügyeljen az összeszerelés vagy beállítás során eltávolított apró alkatrészekre. Tegye őket biztonságos helyre, hogy ne vesszenek el.

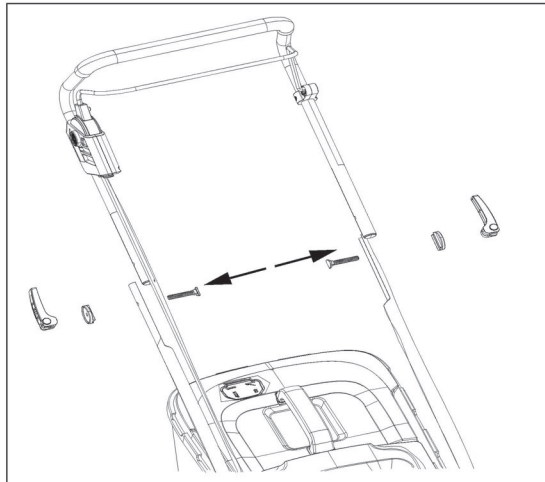
ALSÓ FOGANTYÚ

- ✿ Állítsa a fő egységet (13) a földre.
- ✿ Csatlakoztassa az alsó fogantyút (6) a fogantyútartó szerelvényhez (11): 2 csavar (11-b) segítségével szerelje fel a szögbeállító kereket (11-a) az alsó fogantyúra (6). Az alsó fogantyú (6) a fő egységhez (13) a szögbeállító kerék (11-a) és a rögzített kerék (11-c) csatlakoztatásával rögzíthető.



FELSŐ FOGANTYÚ

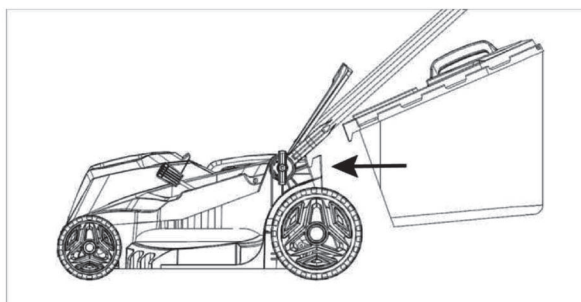
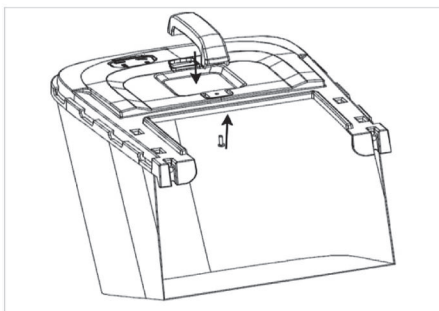
- ✿ Fogja meg a felső fogantyút (1) úgy, hogy az indítókar (2) felfelé nézzen. Igazítsa egy vonalba a felső fogantyú (1) és az alsó fogantyú (6) rögzítőfuratait.
- ✿ Vezesse át a rögzítőcsavarokat (5-b) a felső fogantyú (1), az alsó fogantyú (6) és az alátét (5-a) rögzítőnyílásain egészen a végéig, és húzza meg a csavart (5-b) a szárnyas anya (5) segítségével.
- ✿ Győződjön meg arról, hogy a tápkábel a fogantyúkon keresztül van vezetve.
- ✿ Rögzítse a tápkábelt a kábelbilincs (23) segítségével az alsó fogantyúhoz (6).



GYŰJTŐKOSÁR

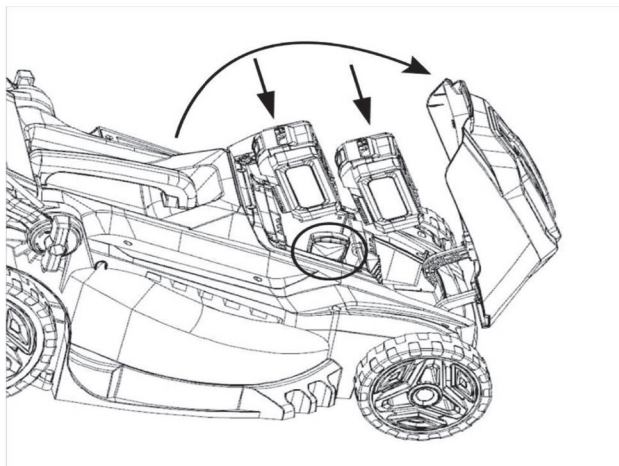
- ✿ Helyezze a fűkosarat (9) a keretbe (8-a), és helyezze be a fűgyűjtő fogantyút (18) a felső burkolatba (8), és rögzítse a csavarral (8-b).
- ✿ Nyissa ki a hátsó fedelet (10), és tartsa a megfelelő helyzetben.
- ✿ Ezután óvatosan engedje el a hátsó fedelet (10).

 **Megjegyzés:** A fűgyűjtőt mindig a fogantyújánál fogva (18) hordozza.



AKKUMULÁTOR AZ AKKUMULÁTOR CSATLAKOZTATÁSA

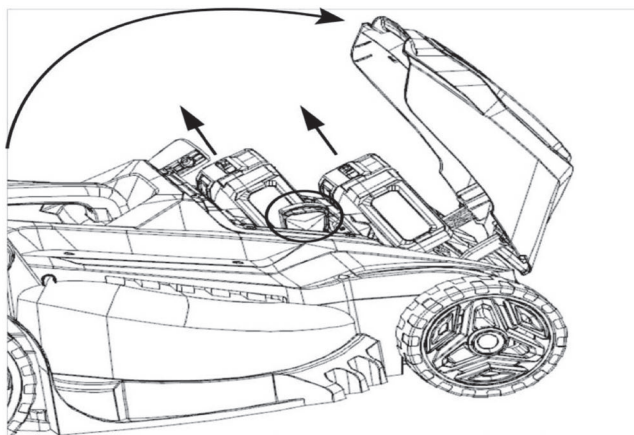
- ✿ Húzással nyissa ki az elemfedőt (16).
- ✿ Húzza ki a biztonsági kulcsot (20), és hagyja lógni a zsinagén.
- ✿ Helyezze be az akkumulátort (22) az akkumulátorrekesz nyílásiba.
- ✿ Győződjön meg arról, hogy az elektromos érintkezők teljesen be vannak dugva az akkumulátorba (22), és a megfelelő helyre történő behelyezést egy kattantással megerősítette.
- ✿ Az akkumulátor (22) csak egy irányban helyezhető be.
- ✿ Helyezze vissza a biztonsági kulcsot (20) a nyílásba.
- ✿ Csukja le az elemfedőt (16).



AZ AKKUMULÁTOR KIOLDÁSA

A fűnyíróba helyezett akkumulátor (22) nem tölthető. Vegye ki az akkumulátort (22) az akkumulátortartóából vagy a tartalék akkumulátor rekeszből, és töltsse fel.

- * Húzással nyissa ki az elemfedőt (16).
- * Nyomja meg a kioldó gombot az akkumulátorrekesz (22) kinyitásához.
- * Csúsztassa ki az akkumulátort (22) az akkumulátortartóából.
- * Csupkja le az elemfedőt (16).



AZ AKKUMULÁTOR FELTÖLTÉSE

A termék akkumulátorát (22) általában alacsony töltöttségi állapotban szállítjuk. Kérjük, használat előtt teljesen töltsse fel.

AKKUMULÁTOR CSATLAKOZTATÁSA

- ✿ Győződjön meg arról, hogy az indítókar (2) ki van engedve, és a biztonsági kapcsoló gombja nincs megnyomva.
- ✿ Csatlakoztassa az akkumulátort (22) a termékhez. Ügyeljen arra, hogy a helyére pattanjon.
- ✿ Teljesen helyezze vissza a biztonsági kulcsot (20) a nyílásába.
- ✿ Ezzel a termék használatra kész.

A HASZNÁLAT CÉLJA

Ezt az akkumulátoros fűnyírót 40 V névleges feszültségre tervezték. Csak a "Műszaki adatok" fejezetben felsorolt akkumulátorral használható.

Ez a termék kizárólag házi kertekben történő fűnyírásra szolgál.


Nem használható szokatlanul magas, száraz vagy nedves fű, például legelő fű vágására vagy levelek aprítására.

Biztonsági okokból az első használat előtt feltétlenül olvassa el a teljes használati útmutatót, és kövesse az összes utasítást. Ez a termék kizárólag otthoni használatra készült, kereskedelmi üzleti használatra nem.

Nem használható az itt leírtakon kívül más célra.

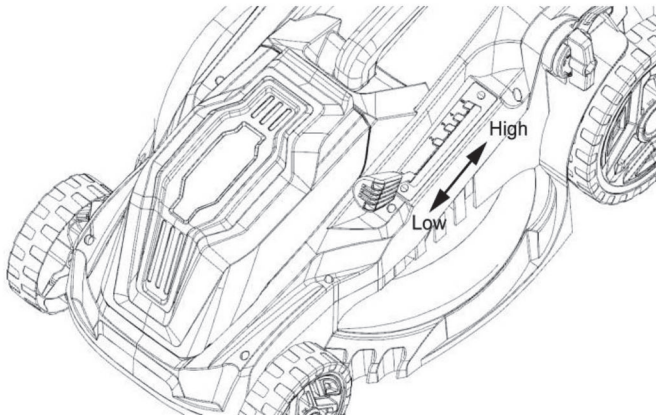
A VÁGÁSI MAGASSÁG BEÁLLÍTÁSA

 **Megjegyzés:** 5 vágási magasság áll rendelkezésre (30–75 mm).

 **FIGYELMEZTETÉS!** A vágási magasság beállítása előtt kapcsolja ki a terméket, és várja meg, amíg a vágókés mozgása teljesen leáll! A vágási magasság beállítása előtt vegye ki a biztonsági kulcsot (20)!

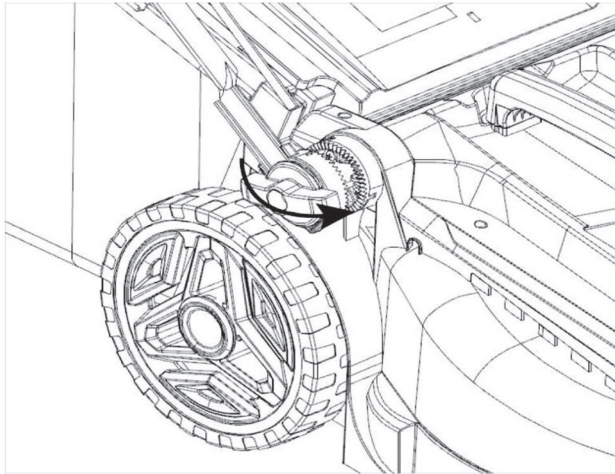
A vágási magasságot igényeinek megfelelően állítsa be, figyelembe véve a pázsit állapotát. A vágási magasság a pázsit típusától és annak tényleges magasságától függ. Magas fű nyírásánál kezdje a maximális vágási magassággal, majd másodszor nyírja le a fűvet alacsonyabb vágási magassággal.

- ✿ Húzza a kart (15) a hátsó kerék (12) felé.
- ✿ Mozgassa előre vagy hátra a vágási magasság beállításhoz.
- ✿ Engedje el a kart (15), és ellenőrizze, hogy megfelelően be van-e helyezve a nyílásba



A KORMÁNYRÚD BEÁLLÍTÁSA

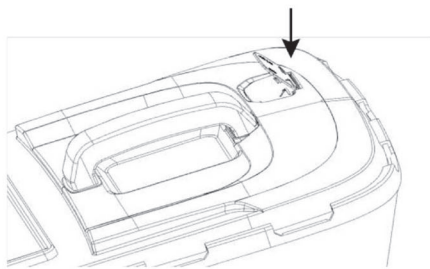
- ✿ Lazítsa meg a szögbeállító kereket (11-a) az óramutató járásával ellentétes irányba, de ne távolítsa el.
- ✿ Fogja meg a fogantyú markolatát (1), és állítsa a felhasználó számára kényelmes helyzetbe.
- ✿ Ezután húzza meg a szögbeállító kereket (11-a) az óramutató járásával megegyező irányba.



TÖLTÉSJELEZŐ

A fűgyűjtő fedéllel van ellátva, amely fűnyírás közben mutatja, ha tele van.

- ✿ Nyitott fedélnél a jelző (7) a hangszóár hatására megemelkedik, ami azt jelenti, hogy a fűgyűjtő még elegendő kapacitással rendelkezik a további fűgyűjtéshez.
- ✿ A fedél lezárása jelzi, hogy a fűgyűjtő megtelt és ki kell üríteni.



 **Megjegyzés:** A teli fűgyűjtő csökkenti a termék teljesítményét.

ÜRÍTÉS

Használat közben gyakran ürítse ki a fűgyűjtőt. Ne várja meg, amíg teljesen megtelik. Javasoljuk, hogy ürítse ki, miután már félig megtelt.

A teli fűgyűjtő csökkenti a termék teljesítményét. Kapcsolja ki a terméket, és győződjön meg arról, hogy a motor és a vágókés leállt.

- ✿ Emelje fel a hátsó fedelet (10), és emelje ki a fűgyűjtőt a horgokról
- ✿ Távolítsa el a levágott fűvet a hátsó ürítőnyílásból a fűgyűjtőbe. Használjon megfelelő eszközt, például kefét.
- ✿ Távolítsa el a fűgyűjtőt a fogantyúnál fogva.
- ✿ Ürítse ki a levágott fűvet a komposzthalomba.
- ✿ Csatlakoztassa újra a fűgyűjtőt a termékhez.

ÁLTALÁNOS VEZÉRLÉS

- ✿ A termék minden használata előtt ellenőrizze, hogy a termék, az akkumulátor, a töltő vagy a tartozékok nem sérültek-e meg. Soha ne használja ezt a terméket, ha bármilyen módon sérült vagy kopás jeleit mutatja. Oldja meg a felmerülő problémákat, vagy ellenőriztesse a terméket képzett technikussal.
- ✿ Ellenőrizze még egyszer, hogy a tartozékok és kiegészítők megfelelően vannak-e rögzítve.
- ✿ Mindig a fogantyúnál (1) fogva tolja a terméket. Tartsa szárazon a fogantyúkat a biztos megtámasztás érdekében.
- ✿ Ügyeljen arra, hogy a szellőzőnyílások mindig szabadok és tiszták legyenek. Ha szükséges, puha kefével tisztítsa meg őket. Az eltömődött szellőzőnyílások túlmelegedést és a termék károsodását okozhatják.
- ✿ Ha munka közben a munkaterületre belépő személyek zavarják, azonnal kapcsolja ki a terméket. Félreállítás előtt mindig állítsa le teljesen a terméket.
- ✿ Ne vállalja túl magát. Tartson rendszeres szüneteket, hogy a munkájára koncentrálhasson, és mindig teljes mértékben kézben tarthassa a munka menetét.

BEINDÍTÁS/LEÁLLÍTÁS

⚠ FIGYELMEZTETÉS! Indítás előtt helyezze a terméket vízszintes, magas fű nélküli felületre! Tisztítsa meg a vágóegység alsó részét! Óvatosan indítsa be a motort az utasításoknak megfelelően. Tartsa távol a lábát a vágókéstől! Ne döntse meg a terméket a motor indításakor.

- ✿ Helyezze az akkumulátort (22) az akkumulátortartóba.
- ✿ Teljesen helyezze vissza a biztonsági kulcsot (20) a nyílásába.
- ✿ Csukja be az akkumulátorfedelet (16), és álljon a fogantyú (1) mögé.
- ✿ Miközben lenyomva tartja a biztonsági kapcsoló gombot (3), húzza az indítókart (2) a fogantyú (1) felé.
- ✿ A fűnyíró elindítása után engedje el a biztonsági kapcsoló gombot (3).
- ✿ A termék vágni kezd.
- ✿ A fűnyíró leállításához engedje el az indítókart (2).

MŰSZAKI ADATOK

Általános	FZR 70375-0
Névleges feszültség	2x20 V
Névleges üresjáratú fordulatszám n ₀	2800–3400 min ⁻¹
Maximális vágáshélesség	38 cm
A vágási magasság terjedelme	30–75 mm, 5 szint
A gyűjtőkosár térfogata	42 l
Kerekek mérete	140 (első)/178 (hátsó) mm
Súly	kb. 11,5 kg

TARTOZÉKOK

A tétel száma	Tartozékok
FDUZ 79020	Akkumulátor 2 Ah
FDUZ 79040	Akkumulátor 4 Ah
FDUZ 79100	Gyorstöltő
FDUZ 79110	Dupla gyorsöltő

6. HIBAELHÁRÍTÁS

⚠ VESZÉLY! Sérülésveszély! A helytelen javítás azt jelentheti, hogy a fűnyíró már nem fog biztonságosan működni. Ez veszélyezteti Önt és munkakörnyezetét.

A zavarokat gyakran apró hibák okozzák. A legtöbbet ezért könnyen maga is meg tudja javítani. Mielőtt felveszi a kapcsolatot az eladóval, olvassa el az alábbi táblázatot. Így sok problémát és talán pénzt is megtakarít.

Rendellenesség/hiba	Ok	Megoldás
A berendezés nem működik.	Nem merült le az akkumulátor? Nem sérült az akkumulátor?	Az akkumulátor feltöltése Vegye fel a kapcsolatot a helyi forgalmazóval.
A készüléket nem lehet bekapcsolni.	Várja az indítási késedelmet?	2 másodpercig tartó késedelmet várjon meg.
A fűnyíró nem egyenletesen nyírja a fűvet.	A pászit egyenetlen vagy rögös. A vágási magasság nincs megfelelően beállítva.	Ellenőrizze a nyírott terület. Állítsa a vágószerkezetet magasabb helyzetbe.
Furcsa hangok.	A csavarok vagy alkatrészecskék meglazultak? Nincs idegen tárgy a késekben? Nem sérült a kés?	Húzza meg a csavarokat. Távolítsa el az idegen tárgyakat. Élesítse vagy cserélje ki a kést.
A fűnyírás eredménye nem kielégítő.	Nem élelten a kés?	Élesítse vagy cserélje ki a kést.

Ha nem tudja megjavítani a hibát, vegye fel a kapcsolatot a legközelebbi kereskedővel. Kérjük, vegye figyelembe, hogy bármilyen nem megfelelő javítás érvénytelenné teszi a jótállást, és további költségekkel járhat.

7. KARBANTARTÁS

⚠ FIGYELEM! A gyűjtőkösár eltávolítása előtt mindig kapcsolja ki a fűnyírót, és vegye ki az akkumulátort.

📖 Megjegyzés: Javasoljuk, hogy rendszeresen hajtsa végre az alább felsorolt karbantartásokat a készülék élettartamának és megbízhatóságának növelése érdekében.

- ✿ Rendszeres szemrevételezéssel ellenőrizze a készülék hibáit, mint például meglazult kés, fordítva telepített kés, sérült kés vagy sérült vagy túlságosan kopott alkatrészek.
- ✿ Rendszeresen ellenőrizze azt is, hogy a védőfedelek és védőelemek nem sérültek, és hogy megfelelően vannak elhelyezve.
- ✿ A készülék használata előtt végezzen el minden szükséges javítást és karbantartást.
- ✿ Ha a készülék a rendszeres karbantartás ellenére sem működik, forduljon ügyfélszolgálatunkhoz. A javításokat szerződéses partnerünknek kell elvégeznie a Fieldmann egyik szakműhelyében.

7.1 KÉSCSERE

- ✿ Javasoljuk, hogy ehhez a művelethez vegye fel a kapcsolatot a hivatalos szervizközponttal.
- ✿ Mindig eredeti pótalkatrészeket használjon.

⚠ Fontos! A kések ellenőrzése előtt mindig vegye ki az akkumulátort a fűnyíróból, és ellenőrizze, hogy a motor ki van-e kapcsolva.

⚠ FIGYELEM: Ne feledje, hogy a fűnyíró kései még néhány másodpercig forognak a motor kikapcsolása után. Soha ne próbálja meg megállítani a kést. Rendszeres időközönként ellenőrizze, hogy a kés biztonságosan rögzítve van, az állapota jó és éles. Ha szükséges, élesítse meg vagy cserélje ki.

Ha a kés fűnyírás közben idegen tárgyba ütközik, állítsa le a fűnyírót, és várja meg, amíg a kés teljesen leáll. Ezután ellenőrizze a kés és az azt rögzítő csavarok állapotát.

Ha a kések megsérültek vagy a csavarok elvesztek, azonnal ki kell cserélni őket.

⚠ Fontos! A munkánál használjon védőkesztyűt.

Lazítsa meg a kést rögzítő csavart (megfelelő kulcs segítségével) az óramutató járásával ellentétes irányban forgatva, vegye ki a kést, és cserélje ki egy új késsre. Ellenőrizze, hogy az új kés a megfelelő helyzetben van felszerelve. A csavart húzza be óramutató járásának megfelelő irányban.

7.2 AZ AKKUMULÁTOR ÁPOLÁSA

Tárolás a szezon végén

Az optimális teljesítmény érdekében javasoljuk, hogy ha nem használja, kéthavonta töltsen fel az akkumulátort.

⚠ FIGYELEM: Eltárolás előtt teljesen töltsen fel az akkumulátort.

⚠ FIGYELEM: Ne tárolja az akkumulátort olyan helyen, ahol a hőmérséklet 10 °C alá csökken

8. MEGSEMMISÍTÉS



A gépet, az újratölthető akkumulátort, a tartozékokat és a csomagolóanyagokat a környezetkímélő újrahasznosítás érdekében szét kell válogatni.

Az elektromos szerszámokat, akkumulátorokat és tölthető elemeket ne dobja a háztartási hulladék közé!

Csak az Európai Unió országai esetében:



A 2012/19/EU európai irányelv és a 2006/66/EK európai irányelv értelmében a már nem használható elektromos szerszámokat, valamint a hibás vagy elhasznált akkumulátorokat szelektíven kell gyűjteni és a környezetet nem veszélyeztető módon kell megsemmisíteni.

A HASZNÁLT CSOMAGOLÓANYAGOKRA VONATKOZÓ MEGSEMMISÍTÉSI UTASÍTÁSOK ÉS TÁJÉKOZTATÓ

Az összes használt csomagolóanyagot a hulladékkezelő hatóság által kijelölt helyen adja le.

HASZNÁLT ELEKTROMOS ÉS ELEKTRONIKUS BERENDEZÉSEK MEGSEMMISÍTÉSE



Ez a jel a terméken vagy a kísérő dokumentációban azt jelzi, hogy a kiselejtezett elektromos és elektronikus berendezéseket nem szabad a háztartási hulladék közé dobni. Vigye el a termékeket az erre meghatározott gyűjtőudvarokba, ahol gondoskodnak helyes megsemmisítésükről, felújításukról vagy újrahasznosításukról. Az Európai Unió egyes országaiiban vagy más európai országokban a termékek az eladóhelyen azonos új termék vásárlásánál visszaválthatók lehetnek. A termék megfelelő módon történő megsemmisítésével segít megőrizni az értékes természeti erőforrásokat, és hozzájárul a nem megfelelő hulladék-megsemmisítés által okozott esetleges negatív környezeti és egészségügyi hatások megelőzéséhez. További részletekért forduljon a helyi önkormányzathoz vagy a legközelebbi hulladék-megsemmisítő gyűjtőtelephez. Az ilyen típusú hulladék helytelen megsemmisítése esetén a vonatkozó nemzeti előírásoknak megfelelően bírságok szabhatók ki.

Az Európai Unió országaiiban működő vállalatok számára

Ha elektromos vagy elektronikus berendezést kíván megsemmisíteni, kérjen információt a termék eladójától vagy forgalmazójától. Megsemmisítés Európai Unión kívüli országokban. Ha ezt a terméket meg akarja semmisíteni, kérje a helyi hatóságoktól vagy a forgalmazótól a megsemmisítéssel kapcsolatos információkat.



Ez a termék teljesíti az EU valamennyi vonatkozó irányelvnek alapkövetelményeit.

A szövegben, kivételben és műszaki jellemzőkben előzetes figyelmeztetés nélkül változtatások történhetnek, és e változtatások jogát fenntartjuk.

Eredeti nyelvű felhasználói kézikönyv.

KOSIARKA AKUMULATOROWA DO TRAWY 38 CM 20V LITHIUM FASTPOWER

WSKAZÓWKI DOTYCZĄCE UŻYCIA

Dziękujemy za zakup akumulatorowej kosiarki do trawy.

Zanim zaczniesz ją używać, uważnie przeczytaj niniejszą instrukcję obsługi i zachowaj ją do wglądu w przyszłości.

SPIS TREŚCI

1. OGÓLNE ZASADY BEZPIECZEŃSTWA	84
2. SYMBOLE	85
3. OPIS.....	86
4. PODSTAWY BEZPIECZEŃSTWA PRACY	86
5. MONTAŻ I UŻYTKOWANIE.....	90
6. ROZWIĄZYWANIE PROBLEMÓW	98
7. KONSERWACJA.....	99
8. UTYLIZACJA.....	100

1. OGÓLNE ZASADY BEZPIECZEŃSTWA

WAŻNE OSTRZEŻENIA DOTYCZĄCE BEZPIECZEŃSTWA


- ✿ Ostrożnie wypakuj produkt i nie wrzucaj żadnej części opakowania przed znalezieniem wszystkich części produktu.
- ✿ Przechowuj produkt w suchym miejscu niedostępnym dla dzieci.
- ✿ Przeczytaj wszystkie ostrzeżenia i zalecenia. Niestosowanie się do tych ostrzeżeń lub instrukcji może prowadzić do porażenia prądem elektrycznym, pożaru i/lub poważnych obrażeń.

OPAKOWANIE

Produkt dostarczany jest w opakowaniu chroniącym go przed uszkodzeniem podczas transportu. Opakowanie jest surowcem wtórnym, który można poddać recyklingowi.

INSTRUKCJA OBSŁUGI

Przed rozpoczęciem pracy z tym urządzeniem przeczytaj poniższe przepisy bezpieczeństwa i instrukcję obsługi. Zapoznaj się dokładnie z elementami sterującymi oraz właściwym użytkowaniem tego urządzenia. Umieść niniejszą instrukcję obsługi w bezpiecznym miejscu do późniejszego wglądu. Przynajmniej w okresie gwarancyjnym zachowaj oryginalne opakowanie włącznie z wewnętrznym materiałem opakowaniowym, kartą gwarancyjną i dowodem zakupu. Jeśli musisz przetransportować to elektronarzędzie w inne miejsce, zapakuj je do oryginalnego kartonu, aby zagwarantować maksymalną ochronę podczas manipulacji i transportu (na przykład podczas przeprowadzki lub odsyłania narzędzia do serwisu w celu naprawy).

-  **Uwaga:** Jeśli będziesz sprzedawać urządzenie innej osobie, dołącz do niego niniejszą instrukcję obsługi. Zapewnij, aby urządzenie było użytkowane prawidłowo, zgodnie ze wskazówkami zawartymi w dostarczonej instrukcji obsługi. Oprócz zaleceń dotyczących użytkowania instrukcja obsługi zawiera także informacje na temat przeprowadzania konserwacji i napraw.

Producent nie odpowiada za lub wypadki lub szkody spowodowane przez nieprzestrzeganie tych instrukcji.

2. SYMBOLE



**Ryzyko obrażeń spowodowanych przez mechanizm tnący!
Nigdy nie dotykaj mechanizmu tnącego.**



Używaj środków ochrony wzroku.



**Przed pierwszym użyciem tego urządzenia przeczytaj
wszystkie wskazówki dotyczące bezpieczeństwa.**



Używaj środków ochrony słuchu.



**Zachowaj bezpieczną odległość od innych osób!
UWAGA! Podczas pracy z tym urządzeniem uważaj,
aby w pobliżu nie znajdowały się żadne inne osoby
(bezpieczna odległość: 5 m).
Dotyczy to w szczególności dzieci i zwierząt.**



Uważaj na ostre krawędzie noża kosiarki.



**Niebezpieczeństwo obrażeń!
Uważaj na odrzucane przedmioty.
Nie dopuść do dostępu nieupoważnionych osób.**



**Uważaj na ostre krawędzie noża kosiarki. Noże będą
jeszcze przez chwilę się obracać po wyłączeniu silnika.**



**Przed użyciem tego narzędzia przeczytaj uważnie
instrukcję obsługi.**



**Chroń urządzenie przed wilgocią i nigdy nie zostawiaj je
na deszczu!**



Gwarantowany poziom mocy akustycznej Lwa 96 dB (A)



**Przed przystąpieniem do jakichkolwiek czynności
konserwacyjnych lub napraw należy odłączyć wyłącznik
obwodu od kosiarki.**

3. OPIS

1. Uchwyt ręczny z pianką
2. Dźwignia rozrusznika
3. Skrzynka rozdzielcza
4. Uchwyt górny
5. Nakrętka skrzydełkowa (×2)
 - a. Podkładka (×2)
 - b. Śruba montażowa (×2)
6. Dolny uchwyt
7. Wskaźnik napełnienia
8. Pokrywa górna kosza na trawę
 - a. Rama kosza na trawę
 - b. Śruby (×1)
9. Kosz na trawę
10. Tylna kłapa
11. Zespół wspornika uchwytu
 - a. Koło regulacji kąta (×2)
 - b. Śruba (×4)
 - c. Koło stałe (×2)
 - d. Zespół śrub z podkładką (×4)
12. Koło tylne (×2)
 - Pokrywa koła tylnego (×2)
13. Zespół koszący
14. Górna pokrywa
15. Dźwignia do regulacji wysokości cięcia
16. Pokrywa akumulatora
17. Koło przednie (×2)
 - Pokrywa koła przedniego (×2)
18. Uchwyt kosza na trawę
19. Uchwyt do przenoszenia
20. Klucz bezpieczeństwa
21. Ładowarka (brak w zestawie)
22. Akumulator (brak w zestawie)
23. Zacisk kabla

4. PODSTAWY BEZPIECZEŃSTWA PRACY

WAŻNE WSKAZÓWKI BEZPIECZEŃSTWA DOTYCZĄCE AKUMULATORÓW

- ⚠ Akumulatory stanowią chemiczne źródło energii elektrycznej, zawiera związki chemiczne, które mogą spowodować uszczerbek na zdrowiu, majątku lub środowisku naturalnym. Dlatego obchodź się z nimi ostrożnie.
- ⚠ Akumulator jest przygotowany do dostarczania energii, również w nieprzyjaznych warunkach!
- ⚠ **UWAGA!** Nawet częściowo naładowany akumulator może ulec zwarceniu, które spowoduje jego uszkodzenie. W najgorszym razie może dojść do wybuchu i pożaru. Dlatego zawsze obchodź się z akumulatorami tak, aby nie mogło dojść do spięcia (np. przez spinacze biurowe, monety, klucze, gwoździe, śrubki lub inne małe przedmioty metalowe)!
Także podczas przechowywania.
- ⚠ Używaj tylko akumulatorów zalecanych przez producenta urządzenia.
- ⚠ Akumulatorów nie wolno przechowywać ani używać w pobliżu otwartego ognia. Zabrania się również wrzucania ich do ognia.
- ⚠ Nie utylizuj starych akumulatorów wraz ze zwykłym odpadem komunalnym.
- ⚠ Nigdy nie dotykaj noży przed odłączeniem urządzenia od źródła energii i pełnego zatrzymania noży.
- ⚠ Odłącz urządzenie od źródła zasilania (tj. wyjmij akumulator z urządzenia):
 - Jeżeli musisz zostawić urządzenie bez nadzoru
 - Jeżeli musisz pozostawić urządzenie niestrzeżone
 - Przed każdą kontrolą, każdym czyszczeniem lub naprawami
 - Jeżeli podczas pracy uderzy w nie przedmiot obcy
 - Jeżeli urządzenie nadmiernie wibruje.

- ✿ Uważnie przeczytaj podstawy bezpiecznej pracy z urządzeniem i niniejszą instrukcję obsługi.
- ✿ Urządzenia nie mogą używać osoby o ograniczonych zdolnościach fizycznych, sensorycznych lub mentalnych (włącznie z dziećmi). Ponadto nie mogą go używać osoby niedoświadczone, które nie posiadają wiedzy technicznej do jego obsługi. Takie osoby muszą pozostać pod nadzorem osoby kompetentnej lub muszą otrzymać instrukcje dotyczące bezpieczeństwa podczas pracy.
- ✿ Jeżeli w pobliżu tego urządzenia poruszają się dzieci, zagwarantuj, aby nie mogły bawić się urządzeniami.
- ✿ Drętwienie rąk lub utrata czucia są skutkiem nadmiernych drgań.
Jeżeli taka sytuacja wystąpi, skróć cykl pracy, rób wystarczające przerwy, podziel się pracą z innymi osobami lub (jeżeli kosiarka jest używana przez długi czas), noś specjalne rękawice antywibracyjne.
- ✿ Nieuniknionym skutkiem używania kosiarki jest hałas. Dlatego wykonuj głośne prace tylko podczas określonych godzin kiedy taki rodzaj aktywności jest normalny. Przestrzegaj ciszy nocnej i postaraj się ograniczyć pracę do jak najkrótszego czasu.
Zalecamy również, aby obsługa i osoby w jej otoczeniu nosiły ochronniki słuchu.

WAŻNE WSKAZÓWKI BEZPIECZEŃSTWA DOTYCZĄCE ŁADOWAREK AKUMULATORÓW

- ⚠ **UWAGA!** Niebezpieczeństwo porażenia prądem elektrycznym!
- ⚠ **UWAGA!** Przed każdym użyciem sprawdź ładowarkę, kabel i wtyczkę. Jeśli stwierdzisz uszkodzenie, nie należy używać ładowarki.
- ⚠ **UWAGA!** Przed użyciem przeczytaj wszystkie instrukcje i ostrzeżenia na ładowarce i obudowie akumulatora.
- ✿ Nie narażaj ładowarki na działanie deszczu, śniegu ani wilgoci. Przedostanie się wody do ładowarki akumulatorów zwiększa ryzyko porażenia prądem elektrycznym.
- ✿ Aby obniżyć niebezpieczeństwo uszkodzenia wtyczki i kabla zasilającego zawsze odłączaj kabel zasilający przez pociągnięcie za wtyczkę (nie pociągaj za kabel).
- ✿ Zapewnij, aby kabel był umieszczony tak, aby nikt nie mógł na niego nadepnąć, potknąć się o niego ani w inny sposób uszkodzić.
- ✿ Nigdy nie ładuj akumulatora w środowisku wybuchowym, w pobliżu materiałów łatwopalnych ani w środowisku łatwopalnym. Nie używaj na łatwopalnych powierzchniach (np. papier itp.).
- ✿ Nie demontuj ładowarki. Jeżeli trzeba ją wymienić lub naprawić, oddaj ją do autoryzowanego serwisu. Niedotrzymanie tego wymogu może doprowadzić do porażenia prądem elektrycznym lub pożaru.
- ✿ NIGDY nie przechowuj i nie używaj ładowarki w miejscach, gdzie temperatura może osiągnąć lub przekroczyć 50°C (na przykład wiatrolapy, samochody itp.).
- ✿ Skontroluj, czy napięcie sieciowe mieści się w zakresie wymaganym przez producenta ładowarki. Obwód musi mieć adekwatną ochronę prądową.

INNE NIEBEZPIECZEŃSTWA

- ⚠ **UWAGA!** W razie mechanicznego uszkodzenia pojemnika na akumulator, nie dotykaj chemikaliów, które mogą się z niego wydostawać. Jeżeli dojdzie do kontaktu z chemikaliami, natychmiast opłucz dotknięte miejsce czystą wodą. W przypadku nadmiernego kontaktu lub oparzeń chemicznych lub dostania się substancji do oczu, zwróć się o pomoc lekarską.

- ☛ Pomimo że nasze produkty są zaprojektowane tak, aby spełniały aktualne normy techniczne i przepisy bezpieczeństwa, dla użytkownika urządzenia pomimo tego istnieją ryzyka:
 - Z mechanizmu tnącego mogą być odrzucone kamienie lub inne odłamki.
 - Jeśli obsługa urządzenia nie używa ochrony słuchu, ryzykuje ogłuchnięciem.
 - Zranienia palców podczas konserwacji ostrza
 - Dostanie się kawałków trawy do płuc
 - Porażenie prądem elektrycznym przez dotknięcie nieizolowanych części.
- ☛ Tego urządzenia nie mogą używać osoby o ograniczonych zdolnościach fizycznych, sensorycznych lub mentalnych (włącznie z dziećmi), osoby niedoświadczone i osoby, których wiedza techniczna jest ewidentnie niewystarczająca do tego zadania; osoby te mogą używać to urządzenie wyłącznie pod nadzorem osoby kompetentnej dla danego zadania lub pod warunkiem, że zostały dokładnie przeszkolone do bezpiecznej pracy z urządzeniem.
- ☛ Jeżeli w pobliżu tego urządzenia poruszają się dzieci, zagwarantuj, aby nie mogły bawić się urządzeniami.

⚠ UWAGA! Przed uruchomieniem tej kosiarki należy zawsze uważnie przeczytać instrukcję obsługi. Dokładnie zapoznaj się ze wszystkimi elementami sterującymi. Przestrzeganie zasad bezpieczeństwa przy pracy z tym urządzeniem zminimalizuje ryzyko pożaru, porażenia prądem lub innych obrażeń.

- ☛ Niniejszą instrukcję obsługi należy starannie zachować do użytku w przyszłości.
- ☛ W przypadku niewłaściwej obsługi tego urządzenia może dojść do obrażeń. Ta kosiarka może spowodować poważne obrażenia ciała operatora i osób znajdujących się w pobliżu, dlatego należy zawsze przestrzegać zasad bezpieczeństwa, aby w jak największym stopniu wyeliminować ryzyko. Użytkownik odpowiada podczas użytkowania tego urządzenia za bezpieczeństwo. Nigdy nie używaj tego urządzenia, jeśli brakuje lub całkiem nie działa któryś z jego elementów zabezpieczających.

PRZED UŻYCIEM TEJ KOSIARKI

- ☛ Przeczytaj uważnie wszystkie zalecenia podane w niniejszej instrukcji obsługi. Zapoznaj się dokładnie z elementami sterowania urządzenia i zasadami jego prawidłowego użycia.
- ☛ Nigdy nie pozwól używać tego urządzenia dzieciom ani nikomu innemu, kto nie zna elementów sterowania i przepisów bezpieczeństwa pracy z tym urządzeniem. Prawodawstwo narodowe może również określać limit wiekowy dla używania tego typu urządzeń. Należy sprawdzić przepisy dotyczące tych urządzeń obowiązujące w danym kraju.
- ☛ Nigdy nie używaj kosiarki do trawy, jeśli w pobliżu poruszają się osoby (zwłaszcza dzieci) lub zwierzęta.
- ☛ Zawsze pamiętaj o tym, że użytkownik ponosi pełną odpowiedzialność za obrażenia lub uszkodzenia majątku spowodowane przez użytkowanie tego urządzenia.

PRZYGOTOWANIE DO UŻYTKU

- ☛ Podczas pracy z tym urządzeniem noś odpowiednie obuwie i długie spodnie. Nigdy nie używaj tej kosiarki do trawy, będąc na boso lub w sandałach.
- ☛ Przed rozpoczęciem pracy skontroluj ziemię i usuń wszystkie przedmioty, które mogłyby zostać odrzucone przez urządzenie.

⚠ UWAGA! Przed każdym użyciem tego urządzenia upewnij się, że nóż, uchwyt montażowy i korpus kosiarki nie są uszkodzone lub nadmiernie zużyte. Uszkodzone lub zużyte części, które w tym urządzeniu występują jako zestaw, zawsze wymieniaj w zestawie, aby nie dochodziło do zachwiania równowagi.

OBŚŁUGA

- ✿ Używaj tego urządzenia wyłącznie przy świetle dziennym lub przy dostatecznie silnym sztucznym oświetleniu.
- ✿ O ile to możliwe, nie koś mokrej trawy.
- ✿ Podczas pracy miej zawsze mocny grunt pod nogami i zachowaj bezpieczną postawę.
- ✿ Podczas pchania tej kosiarki nie biegaj – poruszaj się normalnym krokiem.
- ✿ Podczas pracy z kosiarkami obowiązują następujące zasady ogólne: Podczas koszenia na zboczu nie poruszaj się w kierunku w górę i w dół, ale zawsze wzdłuż poziomic, tj. poziomo, prostopadle do nachylenia stoku.
- ✿ Podczas zmiany kierunku na zboczu zachowaj szczególną ostrożność.
- ✿ Nigdy nie używaj kosiarki na ekstremalnie stromych zboczach.
- ✿ Jeżeli musisz przyciągnąć kosiarkę do siebie lub jeśli musisz jechać nią wstecz, zachowaj ostrożność.
- ✿ Przed transportem urządzenia lub przed przeniesieniem przez obszar bez trawy zawsze zatrzymaj obroty noży.
- ✿ Nigdy nie używaj tego urządzenia, jeżeli w jakikolwiek sposób uszkodzone są osłony lub jeżeli brakuje jakiegokolwiek elementu bezpieczeństwa, takich jak deflektory lub kosze zbiorcze.
- ✿ Silnik zawsze uruchamiaj w sposób podany w niniejszej instrukcji obsługi i nie stawaj w pobliżu noży.
- ✿ Nigdy nie pochylaj urządzenia podczas jego uruchamiania, jeśli nie jest to naprawdę konieczne do jego uruchomienia. W takim przypadku obróć w górę tę stronę kosiarki, która znajduje się dalej od ciebie.
- ✿ Nigdy nie wkładaj rąk ani nóg pod kosiarkę, zwłaszcza w poruszających się części. Nigdy nie zakrywaj otworu do wyrzucania trawy.
- ✿ Nigdy nie transportuj tego urządzenia z włączonym silnikiem.
- ✿ Zawsze najpierw zatrzymaj silnik i wyjmij akumulator z urządzenia; dopiero potem można naprawiać usterki lub opróżnić kosz zbiorczy.
 - W ten sam sposób postępuj przed każdą kontrolą, czyszczeniem lub naprawami urządzenia.
 - Jeżeli uderzysz w przedmiot obcy, skontroluj, czy nie doszło do uszkodzenia tej kosiarki; jeśli doszło do uszkodzenia, napraw kosiarkę przed kolejnym uruchomieniem silnika.
 - Albo jeśli urządzenie zacznie wibrować więcej niż zwykle (natychmiast skontroluj urządzenie!)
- ✿ Zatrzymaj silnik zawsze, gdy oddalasz się od urządzenia.

KONSERWACJA I PRZECHOWYWANIE

- ✿ Zapewnij, aby wszystkie nakrętki, czopy i śruby były dobrze dokręcone, aby urządzenie działało prawidłowo.
- ✿ Sprawdzaj regularnie, czy kosz zbiorczy nie jest uszkodzony lub nadmiernie zużyty.
- ✿ Zużyte lub uszkodzone kosze niezwłocznie wymień. W ten sposób zagwarantujesz bezpieczne działanie swojej kosiarki.
- ✿ Podczas nastawiania elementów regulowanych uważaj, aby nie przytrzasnąć palców pomiędzy ruchomymi częściami a stałą częścią urządzenia. Przed odstawieniem kosiarki do zamkniętego pomieszczenia poczekaj, aż silnik wystygnie.

5. MONTAŻ I UŻYTKOWANIE

WYPAKOWANIE

- ✿ Rozpakuj wszystkie części i umieść je na płaskiej stabilnej powierzchni.
- ✿ Usuń wszystkie materiały opakowaniowe i elementy wysyłkowe (jeżeli występują).
- ✿ Upewnij się, że masz wszystkie części i że nie są one uszkodzone. Jeżeli brakuje jakichkolwiek części lub są one uszkodzone, nie należy używać produktu i należy skontaktować się ze sprzedawcą. Używanie niekompletnego lub uszkodzonego produktu stwarza zagrożenie dla osób i mienia.
- ✿ Upewnij się, że masz wszystkie akcesoria i narzędzia potrzebne do jego ustawienia i użytkowania. Obejmuje to również odpowiednie środki ochrony osobistej.

⚠ UWAGA! Ten produkt i materiały opakowaniowe nie są zabawką dla dzieci!
Nie pozwól dzieciom bawić się plastikowymi torbami, folią i małymi częściami! Istnieje ryzyko zatkania dróg oddechowych i uduszenia!

BĘDZIESZ POTRZEBOWAĆ / ZANIM ZACZNIESZ

(pozycje niedostarczone)	(pozycje dostarczone)
Odpowiednie środki ochrony osobistej	Kosz na trawę (7, 8, 9, 18)
Odpowiedni śrubokręt krzyżakowy	
Odpowiedni klucz do nakrętek	
akumulator (22) i ładowarka akumulatorów (21)	

📖 Uwaga: Wymagane akcesoria zależą od przeznaczenia. O poradę poproś sprzedawcę.

📖 Uwaga: Części oznaczone * nie są przedstawione w tym przeglądzie. Proszę zapoznać się z odpowiednim fragmentem instrukcji obsługi.

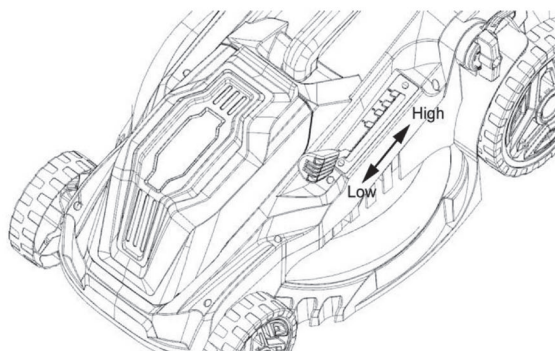
MONTAŻ

⚠ UWAGA! Nie należy używać produktu częściowo zmontowanego lub produktu z uszkodzonymi częściami!
Postępuj zgodnie z instrukcją montażu krok po kroku i wykorzystaj dołączone zdjęcia jako wizualny przewodnik, który pomoże Ci złożyć produkt!
Nie podłączaj produktu do baterii (22) przed jego całkowitym zmontowaniem!

📖 Uwaga: Uważaj na małe części usunięte podczas montażu lub regulacji. Przechowuj je w bezpiecznym miejscu, aby się nie zgubiły.

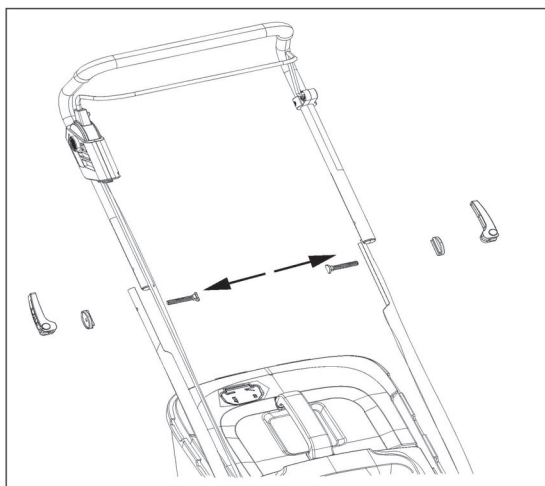
DOLNY UCHWYT

- ✿ Połóż jednostkę główną (13) na ziemi.
- ✿ Połącz dolny uchwyt (6) z zespołem wspornika uchwytu (11): zamontuj koło regulacji kąta (11-a) do dolnego uchwytu (6) za pomocą 2 śrub (11-b). Dolny uchwyt (6) jest przymocowany do jednostki głównej (13) poprzez połączenie koła regulacji kąta (11-a) i koła stałego (11-c).



UCHWYT GÓRNY

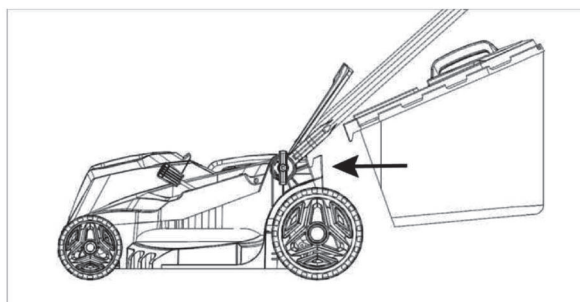
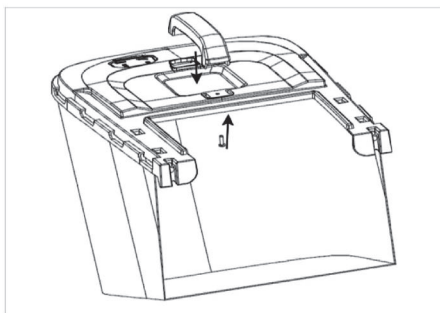
- ✿ Przytrzymaj górny uchwyt (1) z dźwignią rozrusznika (2) obróconą do góry. Wyrównaj otwory montażowe górnego uchwytu (1) i dolnego uchwytu (6).
- ✿ Przełóż śruby montażowe (5-b) przez otwory montażowe górnego uchwytu (1), dolnego uchwytu (6) oraz podkładkę (5-a) do końca i dokręć śrubę (5-b) za pomocą nakrętki motylkowej (5).
- ✿ Upewnij się, że przewód elektryczny jest poprowadzony wzdłuż uchwytów.
- ✿ Przymocuj kabel zasilający za pomocą zacisku kablowego (23) na dolnym uchwycie (6).



KOSZ ZBIORCZY

- ✿ Umieść kosz na trawę (9) w ramie (8-a) i włóż uchwyt kosza na trawę (18) do górnej pokrywy (8) i zabezpiecz śrubą (8-b).
- ✿ Otwórz tylną klapę (10) i przytrzymaj ją w miejscu.
- ✿ Następnie ostrożnie zwolnij tylną klapę (10).

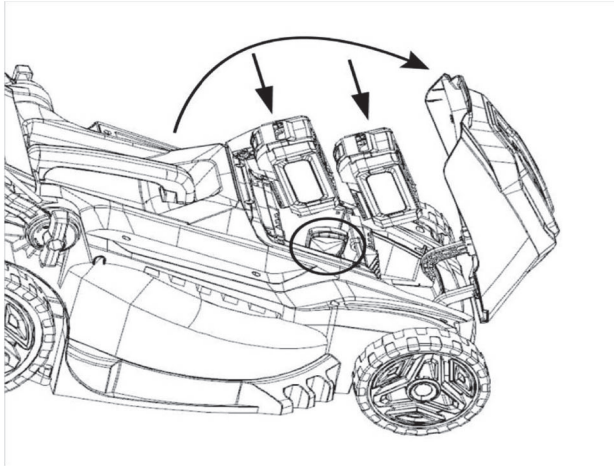
 **Uwaga:** Kosz na trawę należy zawsze przenosić za pomocą uchwytu kosza na trawę (18).



AKUMULATOR

MONTAŻ AKUMULATORA

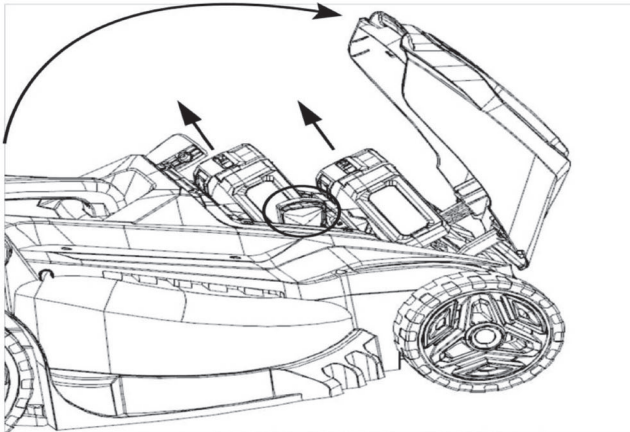
- ✿ Otwórz pokrywę akumulatora (16).
- ✿ Odłącz klucz bezpieczeństwa (20) i pozostaw go zawieszony na sznurku.
- ✿ Włóż akumulator (22) w szczelinę komory akumulatora.
- ✿ Upewnij się, że styki elektryczne są całkowicie włożone do akumulatora (22) i że włożenie jest potwierdzone kliknięciem.
- ✿ Akumulator (22) można włożyć tylko w jednym kierunku.
- ✿ Ponownie włóż klucz bezpieczeństwa (20) w jego szczelinę.
- ✿ Zamknij pokrywę akumulatora (16).



ZWALNIANIE AKUMULATORA

Akumulator (22) włożony do kosiarki nie może być ładowany. Wymij akumulator (22) z komory akumulatora lub komory akumulatora zapasowego i naładuj go.

- * Otwórz pokrywę akumulatora (16).
- * Naciśnij przycisk zwalniający, aby odblokować zatrzask akumulatora (22).
- * Wsuń akumulator (22) z komory akumulatora.
- * Zamknij pokrywę akumulatora (16).



ŁADOWANIE AKUMULATORA

Akumulator (22) dla tego urządzenia jest dostarczany w stanie niskiego poziomu naładowania. Przed użyciem należy go w pełni naładować.

PODŁĄCZANIE AKUMULATORA

- ✿ Upewnij się, że dźwignia rozrusznika (2) jest zwolniona i że przycisk wyłącznika bezpieczeństwa nie jest wciśnięty.
- ✿ Podłącz akumulator (22) do urządzenia. Upewnij się, że zatrzasknie się na swoim miejscu.
- ✿ Włóż klucz bezpieczeństwa (20) całkowicie w swoje gniazdo.
- ✿ Produkt jest teraz gotowy do użycia.

CEL UŻYCIA


Ta kosiarka akumulatorowa jest przystosowana do napięcia nominalnego 40 V. Jest przeznaczona do użytku wyłącznie z zestawem akumulatorów wymienionych w sekcji „Dane techniczne”.

Produkt ten przeznaczony jest wyłącznie do koszenia trawy w ogrodach przydomowych.

Nie wolno jej używać do cięcia niezwykle wysokiej, suchej lub mokrej trawy, np. pastwiskowej, ani do rozdrabniania liści. Ze względów bezpieczeństwa przed pierwszym użyciem należy koniecznie przeczytać całą instrukcję obsługi i stosować się do wszystkich zawartych w niej wskazówek. Ten produkt jest przeznaczony wyłącznie do prywatnego użytku domowego, nie do komercyjnego użytku biznesowego. Nie wolno używać produktu do celów innych niż określone w niniejszym dokumencie.

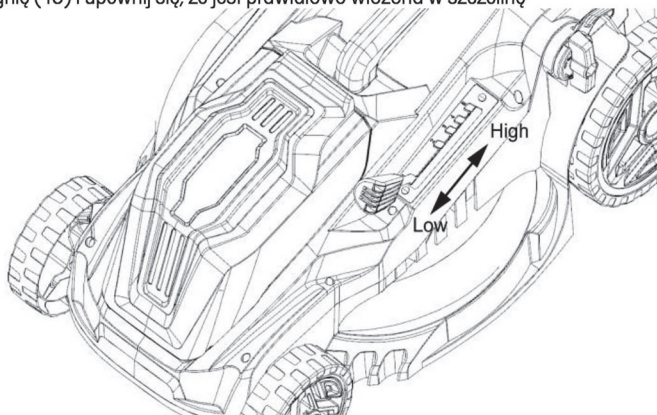
USTAWIENIA WYSOKOŚCI KOSZENIA

 **Uwaga:** Istnieje 5 poziomów wysokości cięcia (30–75 mm).

 **UWAGA!** Przed regulacją wysokości cięcia należy wyłączyć produkt i poczekać, aż ostrze tnące całkowicie przestanie się poruszać! Przed przystąpieniem do regulacji wysokości cięcia należy wyjąć klucz zabezpieczający (20)!

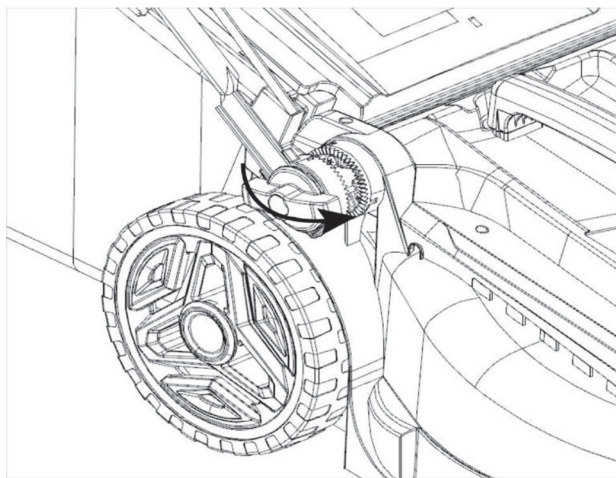
Dostosuj wysokość koszenia do swoich potrzeb, biorąc pod uwagę stan trawnika. Wysokość koszenia zależy od rodzaju trawnika i jego rzeczywistej wysokości. Podczas koszenia wysokiej trawy należy rozpocząć od maksymalnej wysokości koszenia, a następnie ściąć trawę po raz drugi przy niższej wysokości koszenia.

- ✿ Pociągnij dźwignię (15) w kierunku tylnego koła (12).
- ✿ Przesuń do przodu lub do tyłu, aby dostosować wysokość cięcia.
- ✿ Zwolnij dźwignię (15) i upewnij się, że jest prawidłowo włożona w szczelinę



REGULACJA KIEROWNICY

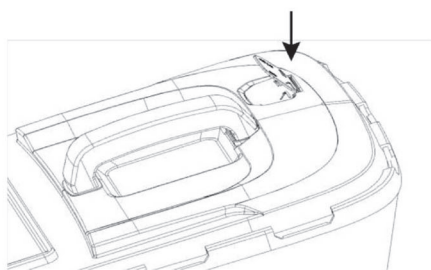
- ✿ Poluzuj koło regulacji kąta (11-a) w kierunku przeciwnym do ruchu wskazówek zegara, ale nie zdejmuj go.
- ✿ Chwyć rękkość uchwyty (1) i ustaw ją w pozycji wygodnej dla użytkownika.
- ✿ Następnie dokręć koło regulacji kąta (11-a) zgodnie z ruchem wskazówek zegara.



WSKAŹNIK NAPEŁNIENIA

Zbieracz trawy jest wyposażony w pokrywę, która informuje o napełnieniu podczas koszenia.

- ✿ Gdy kłapa jest otwarta, wskaźnik (7) jest unoszony przez strumień dźwięku, wskazując, że zbieracz trawy ma jeszcze wystarczającą pojemność do dalszego zbierania trawy.
- ✿ Gdy kłapa jest zamknięta, zbiornik na trawę jest pełny i musi zostać opróżniony.



 **Uwaga:** Pełen kolektor trawy zmniejsza wydajność tego produktu.

OPRÓŻNIANIE

Podczas użytkowania należy często opróżnić kosz na trawę. Nie czekaj, aż wypełni się całkowicie. Zalecamy opróżnianie go po zapelnieniu do połowy.

Pełen kolektor trawy zmniejsza wydajność tego produktu. Wyłącz produkt i upewnij się, że silnik jest wyłączony, a ostrze siekające przestało się obracać.

- ✿ Podnieś tylną klapę (10) i zdejmij kosz na trawę z haków
- ✿ Usuń ścinki trawy z tylnego otworu wylotowego do pojemnika na trawę. Użyj odpowiedniego narzędzia, np. pędzla.
- ✿ Wyjmij kosz na trawę za pomocą jego uchwytu transportowego.
- ✿ Opróżnij ścinki trawy do stosu kompostowego.
- ✿ Ponownie zamocuj kosz na trawę do produktu.

STEROWANIE OGÓLNE

- ✿ Przed użyciem produktu należy sprawdzić, czy nie ma uszkodzeń produktu, jego akumulatora, ładowarki lub akcesoriów. Nigdy nie używaj tego produktu, jeśli jest on w jakikolwiek sposób uszkodzony lub wykazuje oznaki zużycia. Napraw każdy napotkany problem lub zleć sprawdzenie produktu przez wykwalifikowanego technika.
- ✿ Sprawdź dwukrotnie prawidłowe zamocowanie akcesoriów i osprzętu.
- ✿ Zawsze pchaj produkt używając uchwytu (1). Utrzymuj uchwyt w suchości, aby zapewnić bezpieczne wsparcie.
- ✿ Upewnij się, że otwory wentylacyjne są zawsze czyste i nie są zatkane. W razie potrzeby wyczyść je miękką szczytką. Zablokowane otwory wentylacyjne mogą spowodować przegrzanie i uszkodzenie produktu.
- ✿ Jeżeli podczas pracy przeszkadzają Ci osoby wchodzące na stanowisko pracy, natychmiast wyłącz produkt. Przed wyłączeniem zawsze należy pozwolić na całkowite zatrzymanie się produktu.
- ✿ Nie nakładaj na siebie zbyt wiele pracy. Rób regularne przerwy, dzięki czemu możesz skupić się na swojej pracy i zawsze mieć pełną kontrolę nad swoim produktem.

URUCHAMIANIE/WYŁĄCZANIE

⚠ UWAGA! Przed rozpoczęciem pracy należy umieścić produkt na równej powierzchni bez wysokiej trawy! Oczyść spód agregatu koszącego! Uruchomić silnik ostrożnie, zgodnie z instrukcją. Trzymaj stopy z dala od ostrza tnącego! Nie należy przechylać produktu podczas uruchamiania silnika.

- ✿ Zainstaluj akumulator (22) w komorze akumulatora.
- ✿ Włóż klucz bezpieczeństwa (20) całkowicie w swoje gniazdo.
- ✿ Zamknij pokrywę akumulatora (16) i stań na uchwycie (1).
- ✿ Trzymając wciśnięty przycisk wyłącznika bezpieczeństwa (3), pociągnij dźwignię rozrusznika (2) w kierunku uchwytu (1).
- ✿ Po uruchomieniu kosiarki zwolnij przycisk wyłącznika bezpieczeństwa (3).
- ✿ Urządzenie rozpocznie koszenie.
- ✿ Aby zatrzymać kosiarkę, zwolnij dźwignię rozrusznika (2).

DANE TECHNICZNE

Ogólne	FZR 70375-0
Napięcie znamionowe	2x20 V
Znamionowa prędkość obrotowa biegu jałowego n ₀	2800–3400 min ⁻¹
Maksymalna szerokość cięcia	38 cm
Zakres wysokości cięcia	30–75 mm, 5 poziomów
Pojemność kosza zbiorczego	42 l
Rozmiar kół	140 (przód) / 178 (tył) mm
Masa	ok. 11,5 kg

AKCESORIA

Numer pozycji	Akcesoria
FDUZ 79020	Akumulator 2 Ah
FDUZ 79040	Akumulator 4 Ah
FDUZ 79100	Szybka ładowarka
FDUZ 79110	Szybka podwójna ładowarka

6. ROZWIĄZYWANIE PROBLEMÓW

⚠ ZAGROŻENIE! Niebezpieczeństwo obrażeń! Niefachowe ingerencje mogą oznaczać, że kosiarka nie będzie pracować bezpiecznie. Stanowi to zagrożenie dla Ciebie i środowiska pracy.

Awarie są często powodowane przez drobne usterki. Większość z nich można łatwo naprawić samodzielnie. Przed skontaktowaniem się ze sprzedawcą należy zapoznać się z poniższą tabelą. Unikniesz wielu problemów i być może wydatków.

Awaria/Usterka	Przyczyna	Rozwiązanie
Urządzenie nie działa.	Czy akumulator nie jest rozładowany? Czy akumulator nie jest uszkodzony?	Ładowanie akumulatora Skontaktuj się z lokalnym sprzedawcą.
Nie można włączyć narzędzia.	Czekasz na opóźnienie podczas uruchomienia?	Poczekaj na opóźnienie 2 sekundy.
Kosiarka kosi trawę nierównomiernie.	Trawnik jest posegmentowany lub wyboisty. Wysokość koszenia nie została prawidłowo ustawiona.	Skontroluj koszoną powierzchnię. Ustaw mechanizm tnący na wyższą pozycję.
Dziwne dźwięki.	Czy nie doszło do poluzowania śrub lub części? Czy w nożach nie znajdują się przedmioty obce? Czy nóż jest uszkodzony?	Dokręć śruby. Usuń przedmioty obce. Zleć naostrzenie lub wymianę ostrza.
Wynik koszenia nie jest zadowalający.	Czy nóż nie jest tępy?	Zleć naostrzenie lub wymianę ostrza.

Jeśli nie możesz naprawić usterki, skontaktuj się z lokalnym sprzedawcą. Uświadom sobie, że jakiegokolwiek nieprawidłowe naprawy powodują utratę gwarancji i mogą spowodować kolejne wydatki.

7. KONSERWACJA

⚠ UWAGA! Zawsze wyłączaj kosiarkę i wyjmuj akumulator przed wyjęciem kosza zbierającego.

📖 Uwaga: Zaleca się regularne wykonywanie poniższej konserwacji, aby przedłużyć żywotność i niezawodność urządzenia.

- ✿ Regularnie kontroluj wizualnie, czy na urządzeniu nie widać usterek, takich jak poluzowany nóż, nóż zainstalowany odwrotnie, uszkodzony nóż lub uszkodzone czy zużyte części.
- ✿ Kontroluj regularnie, czy pokrywy ochronne i elementy ochronne nie są uszkodzone i czy są prawidłowo umieszczone.
- ✿ Przed użyciem tego urządzenia wykonaj wszystkie niezbędne naprawy i konserwację.
- ✿ Jeżeli pomimo niezbędnej konserwacji urządzenie nie pracuje, zwróć się do naszego serwisu. Naprawy musi wykonywać partner umowny ze specjalistycznych serwisów Fieldmann.

7.1 WYMIANA NOŻA

- ✿ W tej czynności zalecamy kontakt z autoryzowanym serwisem.
- ✿ Używaj zawsze oryginalnych części zamiennych.

⚠ Ważne! Przed kontrolą noży zawsze wyjmij z kosiarki akumulator i sprawdź, czy silnik jest wyłączony.

⚠ UWAGA: Nie zapominaj, że nóż kosiarki obraca się jeszcze przez kilka sekund po wyłączeniu silnika. Nigdy nie próbuj zatrzymać noża. Regularnie sprawdzaj, czy nóż jest bezpiecznie przymocowany, czy jest ostry i w dobrym stanie. Jeśli to konieczne, naostrz go lub wymień.

Jeżeli podczas koszenia nóż napotka przedmiot obcy, zatrzymaj kosiarkę i odczekaj do pełnego zatrzymania noża. Następnie sprawdź stan noża i jego śrub mocujących.

Jeżeli noże są uszkodzone lub jeżeli doszło do zagubienia śrub, należy je bezzwłocznie wymienić.

⚠ Ważne! Podczas pracy należy używać rękawic ochronnych.

Poluzuj śrubę mocującą nóż (przy pomocy właściwego klucza), obracając w kierunku przeciwnym do ruchu wskazówek zegara, zdejmij nóż i zastąp go nowym nożem. Skontroluj, czy nowy nóż jest zainstalowany we właściwym kierunku. Przykręć śrubę, obracając ją zgodnie z ruchem wskazówek zegara.

7.2 KONSERWACJA AKUMULATORA

Przechowywanie po zakończeniu sezonu

Aby zapewnić optymalną wydajność, należy ładować nieużywany akumulator co dwa miesiące.

⚠ UWAGA: Przed przechowywaniem akumulatora należy go w pełni naładować.

⚠ UWAGA: Nie przechowuj akumulatora w miejscach, w których temperatura spada poniżej 10°C

8. UTYLIZACJA



Sprzęt ten, akumulatory, akcesoria i opakowania muszą być posortowane w celu zapewnienia ich przyjaznego dla środowiska recyklingu.

Nie wyrzucaj narzędzi elektrycznych i baterii lub akumulatorów do odpadów komunalnych!

Wyłącznie dla krajów Unii Europejskiej:



Zgodnie z Dyrektywą Europejską 2012/19/UE i zgodnie z Dyrektywą Europejską 2006/66/WE elektronarzędzia, które nie nadają się już do użytku oraz uszkodzone lub zużyte baterie/akumulatory należy posortować oddzielnie i zutylizować w sposób nie zagrażający środowisku.

WSKAZÓWKI I INFORMACJE DOTYCZĄCE LIKWIDACJI ZUŻYTYCH OPAKOWAŃ

Wszelkie zużyte opakowania należy przekazać do miejsca określonego przez lokalny urząd zajmujący się utylizacją odpadów.

LIKWIDACJA ZUŻYTYCH URZĄDZEŃ ELEKTRYCZNYCH I ELEKTRONICZNYCH



Ten symbol umieszczony na produktach lub w załączonej dokumentacji oznacza, że zużyte urządzenia elektryczne i elektroniczne nie mogą być wyrzucane do kosza na śmieci. Przekaż te produkty do właściwego punktu zbiórki odpadów, gdzie zostanie przeprowadzona ich prawidłowa utylizacja, renowacja lub recykling. W niektórych krajach Unii Europejskiej lub w niektórych państwach europejskich przy zakupie nowego, odpowiedniego produktu można dokonać zwrotu zużytego produktu lokalnemu sprzedawcy. Przez prawidłową utylizację tego produktu przyczyniasz się do ochrony cennych zasobów naturalnych i zapobiegasz ewentualnemu negatywnemu wpływowi odpadów na środowisko naturalne i zdrowie ludzkie, do którego mogłoby dojść w wyniku nieprawidłowej utylizacji odpadu. Szczegółowych informacji udzielą lokalne urzędy lub najbliższy punkt zbiórki odpadów. Nieprawidłowa utylizacja tego rodzaju odpadów może podlegać karom pieniężnym zgodnie z obowiązującymi przepisami krajowymi.

Dla firm w krajach Unii Europejskiej

Jeśli chcesz zutylizować urządzenia elektryczne lub elektroniczne, zasięgnij informacji u swego sprzedawcy lub dostawcy. Utylizacja produktu w krajach poza Unią Europejską. Jeżeli chcesz zutylizować ten produkt, zasięgnij niezbędnych informacji w lokalnych urzędach lub u sprzedawcy.



Produkt spełnia wszelkie podstawowe wymagania wszystkich właściwych dyrektyw UE.

Tekst, wzornictwo i specyfikacje techniczne mogą ulec zmianie bez uprzedzenia. Zastrzegamy sobie prawo do dokonania tych zmian.

Instrukcja obsługi w języku oryginału.



 **FIELDMANN**[®]
Home & Garden Performance