



FZR 2048 E

English	3 - 16
Čeština.....	17 - 30
Slovenščina.....	31 - 44
Magyarul.....	45 - 58
Polski	59 - 78

Electric Lawn mower

USER MANUAL

Thank you for purchasing this rotary electric lawn mower.

Before you start using it, please read this user manual carefully and save it for future use.

TABLE OF CONTENTS

1. GENERAL SAFETY REGULATIONS.....	4
Important safety notice	4
Packaging	4
User manual.....	4
2. SYMBOLS	5
3. DESCRIPTION (FIG. 1.).....	6
4. BASIC WORK SAFETY	7
Other risks	7
Before you start using the lawn mower	8
Preparing for operation	8
Operation	8
Maintenance and storage	9
5. ASSEMBLY	10
5.1 Handle	10
5.2 Assembling and mounting the grass catcher	11
5.3 Extension cable / securing the power cable.....	11
6. OPERATION	12
6.1 Setting the mowing height.....	12
6.2 Setting the handle HEIGHT	12
6.3 Connecting to the electricity.....	12
6.4 Turning the lawn mower on/off	12
7. TECHNICAL SPECIFICATIONS.....	13
8. Troubleshooting.....	14
9. MAINTENANCE.....	15
9.1 Blade replacement.....	15
10. DISPOSAL	16

1. GENERAL SAFETY REGULATIONS

IMPORTANT SAFETY NOTICE


- ✿ Unpack the product carefully and do not throw away any of the packaging until you have found all the parts of the product.
- ✿ Store the product in a dry place out of reach of children.
- ✿ Read all the warnings and instructions. Not following warnings or instructions may lead to electrical shocks, fire and/or serious injuries.

PACKAGING

The product's packaging prevents damage during transport. This packaging is a resource and can be recycled.

USER MANUAL

Before you start working with the power tool, read the following safety and use instructions. Make sure you know the operating elements and the correct use of the power tool. Keep the User manual in a safe place where it can be easily found for future use. Save the original packaging, including the internal packing material, guarantee card and proof of purchase receipt for at least the time of the guarantee. If you need to transport this power tool, pack it in the original cardboard box for maximum protection during shipping or transport (e.g. when moving or when you need to send this power tool to a service centre for repair).

 **Note:** If you hand over this appliance to somebody else make sure you include this user manual. Make sure you use the appliance properly by following the instructions in the included User manual. The User manual also contains operating, maintenance, and repair instructions.

The manufacturer takes no responsibility for accidents or damages from not following the instructions in this manual.

2. SYMBOLS



Read the manual with the instructions before using this machine.



Bystanders must be at a safe distance.



Be careful of the sharp blade edges. The blades continue to rotate even after the motor is turned off. Before carrying out maintenance or if the power cable is damaged, disconnect the plug from the mains.



Keep the flexible power cable at a safe distance from the blade.



The blades will continue rotating even after the machine is turned off. Before touching any of the machine's components, wait until they completely stop.



Do not mow grass in the rain and do not leave the lawn mower uncovered in the rain.



Use ear protection.
Use eye protection.
Use breathing protection.

3. DESCRIPTION (FIG. 1.)

1. Start/stop trigger
2. Start/stop trigger safety lock
3. Top part of the handle
4. Handle fast clamp
5. Bottom part of the handle
6. Transport handle
7. Mowing height adjustment lever
8. Bottom handle quick couplers - handle height adjustment
9. Power cord plug



FIG. 1

4. BASIC WORK SAFETY

- ✿ Never use the machine if the power cable is damaged or visibly worn.
- ✿ If the lawnmower is connected to a power source using a damaged power cable and the place that is not insulated is touched before the lawnmower is disconnected from the power source, you risk being electrocuted.
- ✿ Also, never touch the blades until the machine is disconnected from the power source and until the blades completely stop.
- ✿ Make sure that the extension cable never comes into contact with the blades. The blades could damage the power cable insulation and create a risk of an electric shock when a part of the body touches the exposed wire when it is live.
- ✿ Disconnect the machine from the voltage source (i.e. pull the power cable plug out of the mains power socket):
 - If you need to leave the machine without supervision
 - If you have to leave the machine unsupervised
 - Before every inspection, every cleaning or repairs
 - If you hit a foreign body when working with it
 - If the machine vibrates excessively.
- ✿ Read carefully the basics of working safely with the machine and the user's manual.
- ✿ Recommendation: Only connect the machine to a power source that has a residual current device (RCD) with a maximum leakage current of 30mA.
- ✿ If the power cable is damaged, it must be replaced by the manufacturer or by a customer service centre.
- ✿ This machine must not be operated by anyone with limited physical, sensory or mental abilities (including children). Furthermore, it must not be used by inexperienced people who do not have the technical knowledge to operate it. These people must be supervised by a competent person or instructed about the basics of work safety.
- ✿ If children are near the machine, make sure they do not play with it.
- ✿ Tingling or numb hands are indications of excessive vibrations.
If this happens, shorten the work cycle, take sufficiently long breaks, share the work among several people or if the lawnmower is used for long periods wear special anti-vibration gloves.
- ✿ An unavoidable consequence of using the lawnmower is the noise when it is running. Therefore, only do noisy work during dedicated hours, or when this type of activity is normal. Respect quiet times and try to limit the work to the shortest possible time.
We also recommend that you and persons near the lawnmower wear ear protectors.

OTHER RISKS

- ✿ Despite our products being designed to meet the valid technical standards and safety directives, there are still some risks to the user from using the machine:
 - Stones and other fragments may fly out of the mowing deck.
 - If the machine operator does not use ear protectors, then they risk subsequent deafness.
 - Injured fingers during blade maintenance
 - Inhaling grass clipping particles
 - Electric shock from un-insulated parts.

- ✿ This machine must not be operated by those with limited physical, sensory or mental abilities (including children) or inexperienced persons or persons whose technical knowledge is evidently insufficient for the given task; and these people should only operate the device under the supervision of a person that is competent for this task or where the person is thoroughly instructed in working safely with the machine.
- ✿ If children are near the machine, make sure they do not play with it.

⚠ ATTENTION! Carefully read the user manual before using this lawn mower. Make sure that you thoroughly know all the control elements. Following the work safety rules for the machine minimises the risk of fire, electric shock or other injuries.

- ✿ Keep the user manual carefully in case it is needed.
 - ✿ If the machine is incorrectly operated it could cause an injury. The lawnmower could cause serious injury to the user and those nearby and therefore these work safety rules should always be followed to eliminate this risk if possible.
- The user is responsible for safety when working with the machine. Never use the machine if any of its safety items are missing or not in full working order.

BEFORE YOU START USING THE LAWN MOWER

- ✿ Carefully read all the instructions provided in this user manual. Thoroughly get to know the machine's control elements and the basics for correct use.
- ✿ Never let children or anyone who you are not certain know the controls and the work safety rules for this machine operate it on their own. The national legislation may also stipulate a minimum age limit for operating this type of machine. Please read the laws governing this area in your country.
- ✿ Never use the lawnmower if people, particularly children or household pets, are moving nearby.
- ✿ Always remember that the user is fully responsible for injuries or damage to property caused by operating this machine.

PREPARING FOR OPERATION

- ✿ When working with the machine wear suitable footwear and long trousers. Never operate the lawnmower barefooted or in sandals.
- ✿ Before starting work, inspect the ground and remove any items that could be deflected by the machine.

⚠ ATTENTION! Before every use of the machine, make sure that the blade, its mounting pin and the lawn mower body in general is not damaged or excessively worn. Always replace a damaged or worn out part, of which there are sets on the machine, with an entire set to prevent imbalance.

OPERATION

- ✿ Only operate the machine during daylight or sufficient artificial lighting.
- ✿ If possible, do not mow wet grass.
- ✿ Make sure that during work you always have a firm support and a secure stance.
- ✿ Do not run when pushing the mower - walk normally.
- ✿ The following general rules apply for work with the lawn mower: When mowing on a slope, do not move up and down but always along the contours, i.e. horizontally perpendicular to the incline of the slope.
- ✿ Be very careful when changing direction on a slope.
- ✿ Never use the lawn mower on extremely steep slopes.

- ✿ If you need to pull the lawnmower towards you while it is running or if you need to move backwards with the lawnmower, be very careful.
- ✿ Always stop the blades from turning when transporting the machine or moving over an un-grassed area.
- ✿ Never use the machine if any covers are damaged or if any of its safety elements are missing such as deflectors or grass catchers.
- ✿ Always start the motor as described in the user manual, and make sure to keep your feet away from the blades.
- ✿ Never fill the machine when starting the motor unless it is really essential to start it. In this case, turn the side of the lawnmower that is farther away from you upwards.
- ✿ Never put your hands or feet under the lawnmower, in particular near to the moving parts. Never cover the grass ejection chute.
- ✿ Never transport the machine if the motor is still running.
- ✿ Always stop the motor first and disconnect the cable plug before troubleshooting or emptying the grass catcher.
 - Proceed in the same way before every inspection, cleaning or repair of the machine.
 - If you hit a foreign body make sure the lawnmower has not been damaged, and if it has repair the damage before starting the motor again.
 - Or if the machine starts to vibrate more than unusual (immediately check the machine!)
- ✿ Stop the motor whenever you move away from the machine.

MAINTENANCE AND STORAGE

- ✿ Always make sure that all nuts, pins and bolts are securely tightened so that the machine operates safely.
- ✿ Regularly check the grass catcher for damage or excessive wear and tear.
- ✿ Immediately replace worn out or damaged parts. This will help your lawnmower to operate safely.
- ✿ When setting adjustable elements, take care not to clamp your fingers between the moving blades and the fixed part of the machine. Let the motor cool down before storing the lawnmower in an enclosed area.

5. ASSEMBLY

Assembly is simple if you follow the instructions below:

5.1 HANDLE

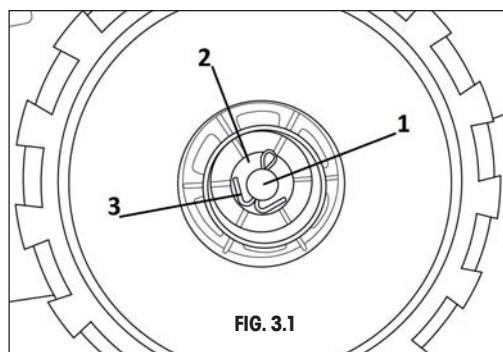
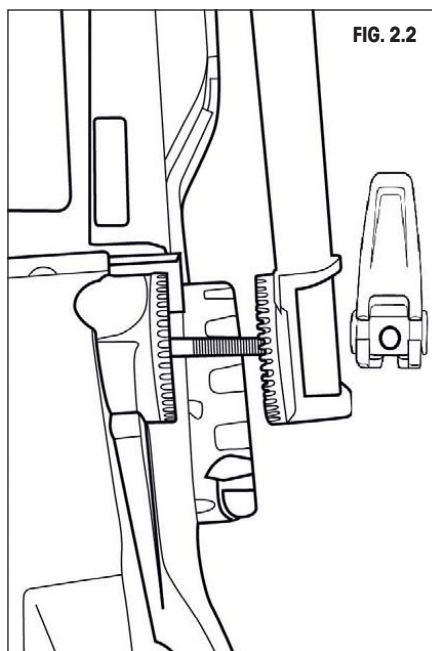
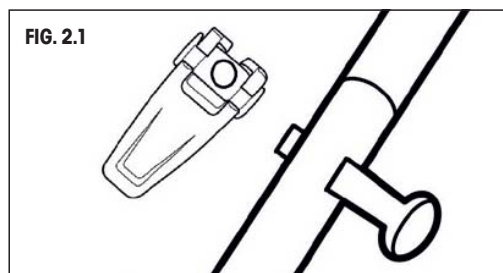
- ✿ Connect the top and bottom part of the handle using the included screws and nuts with quick coupler levers. Figure 2.1.
- ✿ Connect the bottom part of the handle to the lawnmower. Figure 2.2.
- ✿ Attach the power cord to the handle using the plastic clips.

Note:

- The handle is height-adjustable and can be folded down for storage.


5.2 WHEEL ATTACHMENT

- ✿ Put the lawnmower wheel on to the axle. Figure 3.1, pos. 1. Put on the washer and secure in place using the cotter pin. Figure 3.1, pos. 2 and 3. Finally put on the wheel cover. Repeat this procedure for all 4 wheels.



5.3 ASSEMBLING AND MOUNTING THE GRASS CATCHER.

- ✿ Insert the handle into the grass catcher cover. See Fig. 4.1.
- ✿ Mount textile part on the cap of catcher and the frame. Fig 4.2.
- ✿ Fitting the grass catcher: Lift the rear cover, keep it lifted and attach the catcher.

 **Note:** The lawnmower can be used without the grass catcher. The safety cover in the vertical position then directs the grass clippings. They are lined up in the following way behind the lawn mower.

5.4 EXTENSION CABLE / SECURING THE POWER CABLE

Insert the lawnmower plug into the socket on the power cable. To prevent the power cable from disconnecting during operation, guide it through the power cable holder.

FIG. 4.1

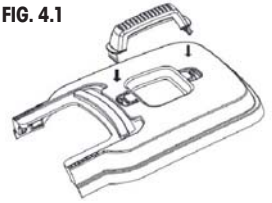
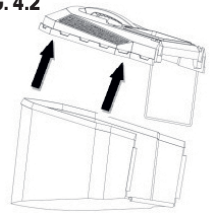


FIG. 4.2



6. OPERATION

6.1 SETTING THE MOWING HEIGHT

! Before setting the mowing height, always make sure that the lawn mower is turned off and the blade is not moving.

⚠ ATTENTION: The blade will rotate for several seconds after the lawn mower is turned off. A rotating blade can cause injuries.

The lawnmower has central mowing height adjustment with 6 settings from 25 - 75 mm.

Select the mowing height by moving the lever to the required position. (push the lever outwards, move it to the correct position, push inwards to fasten it. See Fig. 5.

📖 Note: Lawns of standard grass blends should not be mowed to less than 4 cm. Lawns should not be cut by more than 1/3 of their height.

6.2 SETTING THE HANDLE HEIGHT

The handle height can be set to your needs.

Release the clamping levers (fig.1, point 8) on both handle sides.

Set the required height of the handle by moving it up or down. Then secure with the quick clamping levers.

6.3 CONNECTING TO THE ELECTRICITY.

Insert the power cable plug into the power grid (230-240 V, 50 Hz).

Check that there is enough power cable available.

6.4 TURNING THE LAWN MOWER ON/OFF

6.4.1 Turning it on:

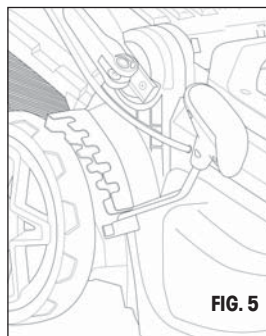
Press and hold the safety button, see Fig. 6, point 1, pull the switch lever to the handle, see Fig. 6, point 2. Release the safety button.

6.4.2 Turning it off:

Release the switching lever, see Fig. 6, point 2

⚠ ATTENTION: The blade will rotate for several seconds after the lawn mower is turned off.

⚠ ATTENTION: Do not turn the lawn mower off and on in quick succession.



7. TECHNICAL SPECIFICATIONS

Model	FZR 2048 E
Power source	230-240 V, 50 Hz
Power input	2000 W
Idling speed	3550 rpm
Coverage width (blade length):	420 mm
Mowing heights	25-75 mm (6 positions)
Grass catcher volume	48 l
Weight when empty:	12.5 Kg
Noise level	
LpA (acoustic pressure)	82.4 dB(A) K=3 dB(A)
LwA (acoustic power level)	89.5 dB(A) K= 1.80dB(A)
Guaranteed emission level of acoustic power (LWA max) in accordance with the Noise Level Directive 2000/14:	
LwA MAX	95 dB (A)
Vibrations:	max. 2.17 m/s ² K=1.5 m/s ²

8. TROUBLESHOOTING

PROBLEM	POSSIBLE CAUSE	SOLUTION
The handle is not in the correct position	The handle fixing screws are not correctly mounted. The mower handle joining screws are not tight.	Adjust the height of the handle and make sure the screws in the pre-bored holes are mounted correctly. Tighten the joining screws.
The mower does not work.	The extension cable is not connected to the mower socket. The extension cable is not connected to the electric socket. The control trigger is defective.	Connect the cable again and use a cable limiter to keep the cable near the trigger. Connect the extension cable to a live socket. Have the engine control trigger replaced by an authorized service centre.
The mower cuts grass unequally.	The lawn is ragged or bumpy. The mowing height is not set properly.	Check the mowing area. Move the float to a higher position.
The mower does not mulch properly.	Wet grass is stuck on the bottom of the plate.	Wait until the grass is dry before mowing.
It is difficult to push the mower.	The grass is long or the mowing height is too low.	Increase the mowing height.
The mower vibrates at high speeds.	The engine shaft is bent. The blade is not balanced.	Stop the engine, disconnect the mower from the electricity and check that it is not damaged. Repair the mower before starting it again. If the vibrations continue, call the free client line. Balance the blade evenly by grinding each cutting edge.

9. MAINTENANCE

⚠ ATTENTION! Before removing the grass catcher, always turn off the lawn mower and pull the extension cable plug out of the power socket.

📖 Note: We recommend regularly carrying out the maintenance below, this will increase the lifetime and reliability of the machine.

- ✿ Regularly visually inspect the machine for defects such as a loose blade, blade installed upside down, blade damage or damaged or excessively worn parts.
- ✿ Also regularly check that the protective covers and protective elements are not damaged and are properly placed.
- ✿ Before using the machine, carry out all necessary repairs and maintenance.
- ✿ If, despite regular maintenance, the machine does not work, please contact our customer service, the repair should be carried out by our contractual partner in one of the specialised Fieldmann workshops.

9.1 BLADE REPLACEMENT

Contact an authorised service centre.
Always use original spare parts.

Before inspecting the blade, always disconnect the lawn mower from the electricity and check that the motor is turned off.

⚠ ATTENTION: Remember that the blade still rotates for several seconds after the motor is turned off. Never attempt to stop the blade. Regularly check that the blade is securely fastened, in good condition and sharp. If necessary, sharpen or replace it.

If the blade hits an object while mowing, turn the lawnmower off and wait until the blade stops. Then check the condition of the blade and its fastening bolts.

If these are damaged or lost they must be replaced immediately.

Important: Use protective gloves when working.

Loosen the bolt holding the blade (using the appropriate wrench) by turning anticlockwise, remove the blade and replace it with a new one. Check that the new blade is installed in the correct direction. Tighten the bolt by turning it clockwise.

10. DISPOSAL

INSTRUCTIONS AND INFORMATION ON DISPOSING OF USED PACKAGING MATERIALS

Dispose of used packaging material at a waste site in your municipality.

DISPOSING OF USED ELECTRICAL AND ELECTRONIC EQUIPMENT



This symbol on products or original documents means that used electric or electronic products must not be added to ordinary municipal waste. Take these products to authorized collection points for proper disposal, renewal and recycling. Or in some European Union states or other European countries the products can be returned to the local retailer when buying an equivalent new product. Disposing of this product correctly helps save valuable natural resources and prevents damage to the environment by improper waste disposal. Ask your local authorities or collection facility for more details. In accordance with national regulations penalties may be imposed for the incorrect disposal of this type of waste.

For business entities in European Union states

If you want to dispose of electric or electronic appliances, ask your retailer or supplier for the necessary information. Disposal in other countries outside the European Union. This symbol is valid in the European Union. If you want to dispose of this product, get the necessary information from the local council or your retailer.



This appliance meets all the basic requirements of the EU directives.

The text, design and technical specifications can be changed without prior notice and we reserve the right to make these changes.

User manual in the original language.

Elektrická zahradní sekačka

NÁVOD K OBSLUZE

Děkujeme vám, že jste si zakoupili tuto zahradní elektrickou rotační sekačku. Než ji začnete používat přečtěte si, prosím, pozorně tento návod k obsluze a uschovejte jej pro případ dalšího použití.

OBSAH

1. VŠEOBECNÉ BEZPEČNOSTNÍ PŘEDPISY	18
Důležitá bezpečnostní upozornění.....	18
Obal	18
Návod k použití	18
2. SYMBOLY	19
3. POPIS (OBR. 1)	20
4. ZÁSADY BEZPEČNOSTI PRÁCE.....	21
Ostatní rizika	21
Než začnete sekačku používat	22
Příprava k provozu	22
Obsluha.....	22
Údržba a uskladnění.....	23
5. SESTAVENÍ.....	24
5.1 Madlo	24
5.2 Sestavení a nasazení sběrného koše	25
5.3 Prodlužovací kabel / zajištění kabelu	25
6. PROVOZ	26
6.1 Nastavení výšky sečení	26
6.2 Nastavení VÝŠKY madla	26
6.3 Připojení k elektrické síti.....	26
6.4 Zapnutí/vypnutí sekačky.....	26
7. TECHNICKÉ ÚDAJE.....	27
8. Řešení problémů	28
9. ÚDRŽBA	29
9.1 Výměna nože	29
10. LIKVIDACE	30

1. VŠEOBECNÉ BEZPEČNOSTNÍ PŘEDPISY

DŮLEŽITÁ BEZPEČNOSTNÍ UPOZORNĚNÍ


- ✿ Výrobek pečlivě vybalte a dejte pozor, abyste nevyhodili žádnou část obalového materiálu dříve, než najdete všechny součásti výrobku.
- ✿ Výrobek uchovávejte na suchém místě mimo dosah dětí.
- ✿ Čtěte všechna upozornění a pokyny. Zanedbání při dodržování varovných upozornění a pokynů mohou mít za následek úraz elektrickým proudem, požár a/nebo těžká poranění.

OBAL

Výrobek je umístěn v obalu bránícím poškozením při transportu. Tento obal je surovinou a lze jej proto odevzdat k recyklaci.

NÁVOD K POUŽITÍ

Než začnete se strojem pracovat, přečtěte si následující bezpečnostní předpisy a pokyny k používání. Seznamte se s obslužnými prvky a správným používáním zařízení. Návod pečlivě uschovejte pro případ pozdější potřeby. Minimálně po dobu záruky doporučujeme uschovat originální obal včetně vnitřního balicího materiálu, pokladní doklad a záruční list. V případě přepravy zabalte stroj zpět do originální krabice od výrobce, zajistíte si tak maximální ochranu výrobku při případném transportu (např. stěhování nebo odeslání do servisního místa).

 **Poznámka:** Předáváte-li stroj dalším osobám, předejte jej společně s návodem. Dodržování přiloženého návodu k obsluze je předpokladem řádného používání stroje. Návod k obsluze obsahuje rovněž pokyny pro obsluhu, údržbu a opravy.

Výrobce nepřebírá odpovědnost za nehody nebo škody vzniklé následkem nedodržování tohoto návodu.

2. SYMBOLY



Před použitím tohoto stroje si přečtěte příručku s pokyny.



Přihlížející osoby musí být v dostatečné vzdálenosti.



Dávejte pozor na ostré čepele. Čepele rotují ještě po vypnutí motoru. Před údržbou nebo při poškození kabelu vyndejte zástrčku z hlavního vedení.



Mějte ohebný kabel zdroje napájení v dostatečné vzdálenosti od čepelí.



Čepele pokračují v rotaci i po vypnutí stroje. Před kontaktem se všemi díly stroje čekejte, dokud se úplně nezastaví.



Nesekejte trávu v dešti a neponechávejte sekačku pod širým nebem za deště.



Používejte ochranu sluchu.

Používejte ochranu zraku.

Používejte ochranu dýchacích orgánů.

3. POPIS (OBR. 1)

1. Hlavní spínač
2. Bezpečnostní pojistka hlavního spínače
3. Horní díl madla
4. Rychloupínák madla
5. Spodní díl madla
6. Transportní madlo
7. Páka nastavení výšky sečení
8. Rychloupínáky spodního madla - nastavení výšky madla
9. Zástrčka elektrického kabelu



OBR. 1

4. ZÁSADY BEZPEČNOSTI PRÁCE

- ☼ Zařízení nikdy nepoužívejte v případě, že je poškozený či viditelně opotřeбенý napájecí kabel.
- ☼ V případě, že sekačku připojíte poškozeným kabelem ke zdroji napětí a poté se dotknete místa, kde je porušená izolace dřívě, než bude sekačka od zdroje napětí odpojena, vystavujete se riziku úrazu elektrickým proudem.
- ☼ Rovněž se nikdy nedotýkejte nožů, dokud nebude zařízení odpojeno od zdroje napětí, a dokud se nože úplně nepřestanou otáčet.
- ☼ Dbejte na to, aby se prodlužovací kabely nikdy nedostaly do kontaktu s noži. Nože by totiž mohly poškodit izolaci kabelu, a tím by vzniklo riziko úrazu elektrickým proudem při dotyku některé části těla a obnaženého vodiče, bude-li tento pod napětím.
- ☼ Zařízení odpojte od přívodu napětí (tj. vytáhněte vidlici napájecího kabelu ze síťové zásuvky):
 - Pokud musíte nechat zařízení bez dozoru
 - Pokud se chystáte odstranit závadu
 - Před každou kontrolou, každým čištěním či opravou
 - Narazíte-li při sekání na cizí těleso
 - Pokud zařízení nadměrně vibruje.
- ☼ Pečlivě si prostudujte zásady bezpečnosti práce se zařízením a návod k obsluze.
- ☼ Doporučení: Zařízení připojujte jen k takovému zdroji napětí, který je vybaven proudovým chráničem (RCD) s maximální hodnotou unikajícího proudu 30mA.
- ☼ Je-li poškozen napájecí kabel, je nutná jeho výměna výrobcem anebo jeho zákaznickým servisem.
- ☼ Toto zařízení nesmí být obsluhováno osobami s omezenými fyzickými, smyslovými či duševními schopnostmi (včetně dětí). Dále nesmí být používáno osobami nezkušenými či takovými osobami, jejichž technické znalosti jsou pro obsluhu tohoto zařízení zjevně nedostatečné. Tyto osoby mohou obsluhovat zařízení pouze pod dohledem způsobilé osoby, anebo po náležitém poučení o zásadách bezpečnosti práce.
- ☼ Pohybují-li se v blízkosti zařízení děti, je nezbytně nutné dohlížet na to, aby si se zařízením nehrály.
- ☼ Pocit mravenčení v rukou anebo dokonce jejich necitlivost je příznakem nadměrných vibrací. V takovém případě zkraťte práci, přerušujte ji dostatečně dlouhými přestávkami, rozdělte ji mezi několik lidí anebo, v případě dlouhodobého používání sekačky, používejte při práci speciální antivibrační rukavice.
- ☼ Nevýhnutelným průvodním jevem používání sekačky je to, že za chodu vydává hluk. Hlučné práce proto provádějte pouze ve vyhrazených hodinách, respektive v době, která je pro tyto činnosti běžná. Respektujte dobu klidu a práci se snažte zkrátit na nezbytně nutnou dobu. Rovněž doporučujeme, abyste Vy i osoby, pohybující se v bezprostřední blízkosti sekačky, byli vybaveni chrániči sluchu.

OSTATNÍ RIZIKA

- ☼ Přestože jsou naše výrobky konstruovány tak, aby vyhovovaly platným technickým normám a bezpečnostním předpisům, přetrvávají ve spojení s obsluhou zařízení pro jeho uživatele některá rizika:
 - Z prostoru zacího mechanismu mohou odlétávat kameny nebo jejich úlomky.
 - Nebude-li obsluha zařízení při práci používat ochranu sluchu, vystavuje se riziku následného ohluchnutí.
 - Poranění prstů při údržbě nože
 - Vdechnutí částic odřezků travin
 - Zasažení elektrickým proudem při dotyku neizolovaných součástí.

- ☼ Toto zařízení nesmí být obsluhováno osobami s omezenými fyzickými, smyslovými či duševními schopnostmi (včetně dětí), případně osobami nezkušenými či takovými osobami, jejichž technické znalosti jsou pro daný úkol zjevně nedostatečné; ty smějí zařízení obsluhovat pouze pod dohledem jiné, k tomu způsobilé osoby, anebo v případě, že je tato osoba důkladně poučila o zásadách bezpečné práce se zařízením.
- ☼ Pohybují-li se v blízkosti zařízení děti, je nezbytně nutné dohlížet na to, aby si se zařízením nehrály.

⚠ POZOR! Před použitím této travní sekačky si pečlivě prostudujte návod k obsluze. Ujistěte se, že jste se důkladně seznámili se všemi jejími ovládacími prvky. Dodržováním pravidel pro bezpečnou práci se zařízením minimalizujete riziko vzniku požáru, zasažení elektrickým proudem či mechanických poranění.

- ☼ Návod k obsluze pro případ potřeby pečlivě uschovejte.
- ☼ Nesprávným použitím zařízení vzniká nebezpečí úrazu. Travní sekačka může uživateli i jiným osobám, nacházejícím se v jeho blízkosti, způsobit vážný úraz, proto je nutno neustále dodržovat pravidla pro její bezpečné použití, aby toto riziko bylo pokud možno vyloučeno.
V tomto smyslu je uživatel zodpovědný za bezpečnost při práci se zařízením. Rovněž nikdy nepoužívejte zařízení v případě, že na něm budou chybět kterýkoliv z bezpečnostních prvků anebo kterýkoliv z nich nebude plně funkční.

NEŽ ZAČNETE SEKAČKU POUŽÍVAT

- ☼ Přečtěte si pozorně všechny pokyny, uvedené v tomto návodu k obsluze. Důkladně se seznámte s ovládacími prvky zařízení a zásadami jeho správného použití.
- ☼ Nikdy nedovolte dětem či Vám neznámým osobám, o nichž bezpečně nevíte, že jsou obeznámeny s ovládacími prvky a pravidly bezpečnosti práce s tímto zařízením, aby se sekačkou samostatně pracovaly. Národní legislativa může rovněž stanovit minimální věkovou hranici, od níž je dovoleno samostatně obsluhovat tento typ zařízení. Seznámte se, prosím, s příslušnými zákony, upravujícími tuto problematiku ve Vaší zemi.
- ☼ Sekačku nikdy nepoužívejte v případě, že se v její blízkosti budou volně pohybovat osoby, zejména malé děti, či domácí zvířata.
- ☼ Buďte si neustále vědom toho, že za případná zranění či škody na majetku způsobené provozem zařízení nese plnou zodpovědnost jeho uživatel.

PŘÍPRAVA K PROVOZU

- ☼ Při práci je nutno nosit vhodnou obuv a kalhoty s dlouhými nohavicemi. Se sekačkou nikdy nepracujte, pokud jste bosí či máte-li na nohou pouze sandály.
- ☼ Před započetím práce prohlédněte terén a odstraňte veškeré předměty, které mohou být zařízením odmrštěny.

⚠ POZOR! Před každým použitím zařízení se přesvědčte, zda nejsou poškozeny či nadměrně opotřebený žací nůž, čep jeho upevnění či obecně celá konstrukce sekačky. Chcete-li vyměnit nějaký poškozený či opotřebený díl, který se na zařízení nevyskytuje pouze v jednom exempláři, vyměňujte pokaždé celou skupinu, aby Vás zásah nezpůsobil nerovnováhu.

OBSLUHA

- ☼ Zařízení obsluhujte pouze za denního světla či za dostatečného umělého osvětlení.
- ☼ Pokud možno nesekejte mokrou trávu.
- ☼ Dbejte na to, abyste při práci vždy měli pevnou oporu a jistý postoj.

- ☼ Za sekačkou neběhejte, nýbrž vždy pouze chodte normálním tempem.
- ☼ Pro práci se sekačkou platí následující obecná pravidla: Při sekání porostu ve svahu nepostupujeme směrem nahoru a dolů, ale zásadně po vrstevnicích, tedy vodorovně, kolmo ke sklonu svahu.
- ☼ Při každé změně směru na svahu dbejte zvýšené opatrnosti.
- ☼ Sekačku nikdy nepoužívejte na extrémně strmých svazích.
- ☼ Jestliže musíte sekačku za chodu přitáhnout směrem k sobě, anebo pokud je při sekání nutno pohybovat sekačkou směrem vzad, dbejte přitom zvýšené opatrnosti.
- ☼ V případě, že je zařízení kamkoliv přepravováno anebo pokud jím přejíždíte po nezatravněné ploše, vždy vypněte pohon nožů.
- ☼ Nikdy nepoužívejte zařízení v případě, že zjistíte, že na něm jsou poškozené kryty, anebo že na něm chybí kterýkoliv z bezpečnostních prvků, jako jsou odražeče či lapače posekané trávy.
- ☼ Motor vždy spouštějte pouze tak, jak je popsáno v návodu k obsluze; přitom dbejte na to, aby se při tomto úkonu Vaše nohy nenacházely v blízkosti nožů.
- ☼ Při startování motoru nikdy zařízení nenaklápějte, pokud to pro startování není vyložně nezbytné. V tomto případě obraťte sekačku tou stranou vzhůru, která je vás dále.
- ☼ Nikdy nestrkejte ruce či nohy pod sekačku, především ne do blízkosti pohyblivých dílů. Nikdy nezakrývejte výhozní otvor pro odvod posečené trávy.
- ☼ Zařízení nikdy nepřepravujte, pokud ještě běží motor.
- ☼ Vždy nejprve zastavte motor a vytáhněte vidlici napájecího kabelu ze zásuvky; teprve potom je možno začít odstraňovat závady či vyprázdnit sběrný koš na posečenou trávu.
 - Stejně postupujte před každou kontrolou, každým čištěním či každou opravou zařízení.
 - Případně, pokud jste při sekání narazil na nějaké cizí těleso, zkontrolujte, zda nedošlo k poškození sekačky; pokud ano, je nutno před opětovným spuštěním motoru toto poškození opravit.
 - Anebo začne-li zařízení nezvykle silně vibrovat (okamžitě provést kontrolu zařízení!)
- ☼ Motor zastavte pokaždé, když odcházíte pryč od zařízení.

ÚDRŽBA A USKLADNĚNÍ

- ☼ Dbejte na to, aby veškeré matice, čepy a šrouby byly vždy řádně utažené, zajistíte tak bezpečný chod zařízení.
- ☼ Pravidelně kontrolujte, zda není poškozen či nadměrně opotřeben sběrný koš.
- ☼ Opotřebené či poškozené díly ihned vyměňte za nové, přispějete tak k bezpečnému provozu Vaší sekačky.
- ☼ Při seřizování nastavitelných prvků dejte pozor, abyste si nesevěli prsty mezi pohyblivé nože a pevnou část zařízení. Chcete-li sekačku uložit v uzavřeném prostoru, nechte předtím vychladnout její motor.

5. SESTAVENÍ

Montáž je snadná, pokud se budete řídit následujícími instrukcemi:

5.1 MADLO

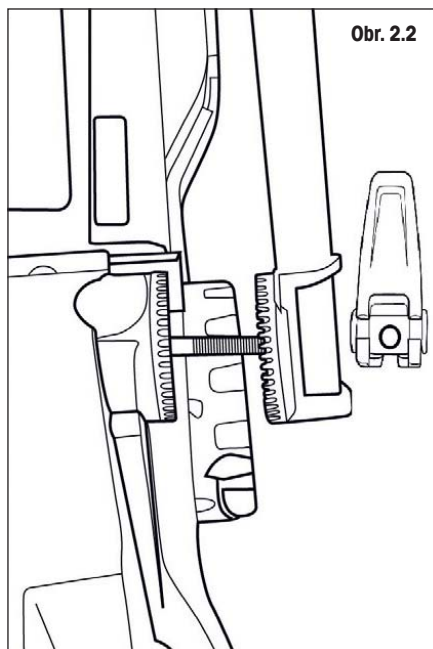
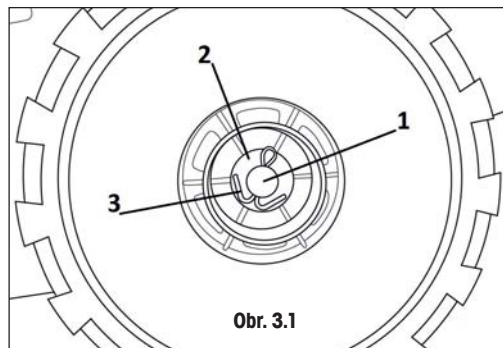
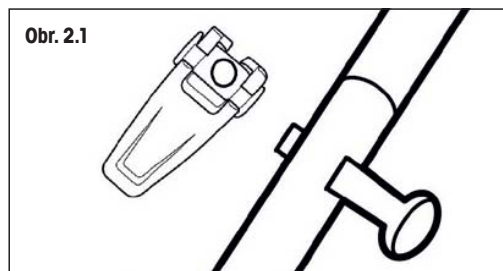
- ✿ Spojte horní a spodní díl madla pomocí přiložených šroubu a matic s pákou rychloupínaku. Obrázek 2.1.
- ✿ Připojte spodní díl madla k sekačce. Obrázek 2.2.
- ✿ Připevněte kabel k madlu pomocí plastických spon.

Poznámka:

- Madlo je výškově nastavitelné a pro účely skladování je možné ho zcela sklopit.

5.2 NASAZENÍ KOL

- ✿ Kolo sekačky nasadte na osu. Obrázek 3.1 bod 1. Následně nasadte podložku a zajistěte závlačkou. Obrázek 3.1., bod 2. a 3. Nakonec nasadte krytku kola. Tento postup opakujte pro všechny 4 kola.



5.3 SESTAVENÍ A NASAZENÍ SBĚRNÉHO KOŠE.

- ✿ Zasuňte madlo do krytu sběrného koše. Viz obr. 4.1
- ✿ Nasadíte textilní část na víko koše a rám. obr. 4.2
- ✿ Nasazení koše: Zvedněte zadní kryt, držte jej zvednutý a nasadíte koš.

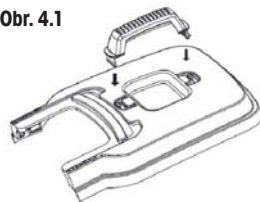
Poznámka: Pro použití bez sběru trávy může být sekačka použita bez sběrného koše.

Bezpečnostní kryt ve svislé poloze pak funguje jako usměrňovač posekané trávy. Ta je takto vyřádkována za sekačkou.

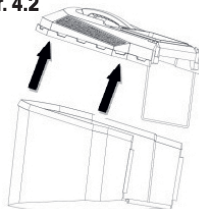
5.4 PRODLUŽOVACÍ KABEL / ZAJIŠTĚNÍ KABELU

Zapojte zástrčku sekačky do zásuvky na kabelu. Abyste předešli rozpojení kabelů během provozu, provlékněte kabel držákem kabelu.

Obr. 4.1



Obr. 4.2



6. PROVOZ

6.1 NASTAVENÍ VÝŠKY SEČENÍ

! Před nastavováním výšky sečení se vždy přesvědčte, že je sekačka vypnutá a nůž se nepohybuje.

⚠ UPOZORNĚNÍ: Nůž se po vypnutí sekačky několik sekund točí. Točící nůž může způsobit zranění.

Sekačka je vybavena centrálním nastavením výšky sečení s 6 možnostmi nastavení: v rozsahu od 25 mm do 75 mm.

Vyberte výšku sečení přesunutím páčky do požadované polohy. (zatlačte páčku směrem ven, přesuňte do správné polohy, pohybem dovnitř se opět zajistí. Viz obr. 5

📖 Poznámka: Trávníky tvořeny standardní travní směsí by neměly být koseny na menší výšku než 4 cm. Trávník by neměl být zkracován o více jak 1/3 své výšky.

6.2 NASTAVENÍ VÝŠKY MADLA

Výšku madla si můžete snadno přizpůsobit své potřebě.

Uvolněte upínací páčky (obr. 1 bod 8) na obou stranách madla.

Požadovanou výšku madla zvolte jeho pohybem nahoru či dolů. Poté opět zajistěte ryhloupínací páčky.

6.3 PŘIPOJENÍ K ELEKTRICKÉ SÍTI.

Zapojte zástrčku kabelu do elektrické sítě (230-240 V, 50 Hz).

Ujistěte se, že je k dispozici dostatečná délka kabelu.

6.4 ZAPNUTÍ/VYPNUTÍ SEKAČKY

6.4.1 Zapnutí:

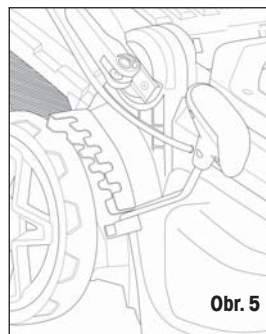
Stiskněte a držte bezpečnostní tlačítko viz obr. 6, bod 1 poté přitáhněme spínací páku k madlu. viz obr. 6, bod 2 Uvolněte bezpečnostní tlačítko.

6.4.2 Vypnutí:

Uvolněte spínací páku viz Obr. 6, bod 2

⚠ UPOZORNĚNÍ: Nůž se po vypnutí sekačky několik sekund točí.

⚠ UPOZORNĚNÍ: Sekačku nevyplínejte a nezapínejte v rychlém sledu.



7. TECHNICKÉ ÚDAJE

Model	FZR 2048 E
Napájení	230-240 V, 50 Hz
Příkon	2 000 W
Otáčky naprázdno	3 550 ot/min
Šířka záběru (délka nože):	420 mm
Výšky sečení	25-75 mm (6 pozic)
Objem sběrného koše	48 l
Prázdná hmotnost:	12,5 Kg
Hlučnost	
LpA (akustický tlak)	82,4 dB(A) K=3 dB(A)
LwA (hladina akustického výkonu)	89,5 dB(A) K=1,80 dB(A)
Garantovaná hladina akustického výkonu (LWA max) v souladu se směrnicí pro hlučnost 2000/14:	
LwA MAX	95 dB(A)
Vibrace:	max. 2,17 m/s ² K=1,5 m/s ²

8. ŘEŠENÍ PROBLÉMŮ

PROBLÉM	MOŽNÁ PŘÍČINA	ŘEŠENÍ
Rukojeť není ve správné poloze	Šrouby uchycení madla nejsou správně usazeny. Spojovací šrouby madla sekačky nejsou dotaženy.	Upravte výšku rukojeti a zajistěte, aby byly šrouby správně usazeny v předvrtaných otvorech. Dotáhněte spojovací šrouby.
Sekačka se nezapne.	Prodlužovací kabel není připojen do zástrčky sekačky. Prodlužovací kabel není připojen ke zdroji energie. Ovládací vypínač je vadný.	Znovu připojte šňůru a použijte omezovač šňůry pro udržení šňůry v blízkosti vypínače. Připojte prodlužovací kabel do zásuvky pod napětím. Nechte vypínač pro ovládání motoru vyměnit v autorizovaném servisním středisku.
Sekačka seče trávu nerovnoměrně.	Trávník je členitý nebo hrbolatý. Výška sečení není správně nastavena.	Zkontrolujte oblast sečení. Posuňte kolečka do vyšší polohy.
Sekačka správně nemulčuje.	Odřezky mokré trávy se zachycují na dolní straně desky.	Před sečením počkejte, dokud tráva neuschne.
Sekačku lze obtížně tlačit.	Tráva je dlouhá nebo je výška sečení příliš malá.	Zvyšte výšku sečení.
Sekačka ve vyšších rychlostech vibruje.	Hřídel motoru je ohnutý. Nůž je nevyvážený.	Zastavte motor, odpojte sekačku od zdroje energie a zkontrolujte, zda není poškozena. Před dalším spuštěním sekačku opravte. Pokud vibrace přetrvávají, zavolejte bezplatnou zákaznickou linku. Vyvažte nůž rovnoměrným nabroušením každé řezné hrany.

9. ÚDRŽBA

⚠ POZOR! Než přikročíte k demontáži sběrného koše, vždy vypněte sekačku a vytáhněte vidlici prodlužovacího kabelu ze zásuvky.

📖 Poznámka: Níže uvedenou údržbu doporučujeme provádět pravidelně; prodloužíte tak životnost zařízení a zvýšíte jeho spolehlivost.

- ✿ Provádějte pravidelnou vizuální kontrolu zařízení, abyste včas odhalili zjevné závady jako volný, opačně nasazený či poškozený nůž anebo poškozené či nadměrně opotřebené díly.
- ✿ Rovněž pravidelně kontrolujte, zda nejsou poškozeny ochranné kryty či ochranná zařízení a zda jsou na svých místech.
- ✿ Před každým použitím zařízení proveďte veškeré potřebné opravy a údržbu.
- ✿ V případě, že zařízení i přes pravidelnou údržbu nefunguje, obraťte se na náš zákaznický servis, případná oprava by měla být provedena u našeho smluvního partnera, v některé z odborných dílen značky Fieldmann.

9.1 VÝMĚNA NOŽE

Za tímto účelem doporučujeme kontaktovat autorizované servisní středisko. Vždy používejte originální náhradní díly.

Před prohlídkou nože vždy sekačku odpojte od elektrické sítě a zkontrolujte, že je motor vypnutý.

⚠ UPOZORNĚNÍ: Pamatujte, že se nůž stále několik sekund točí i po vypnutí motoru. Nikdy se nepokoušejte nůž zastavit. V pravidelných intervalech kontrolujte, že je nůž bezpečně připevněn, v dobrém stavu a ostrý. Pokud je to nezbytné, nabruste jej, nebo vyměňte.

V případě, že při sekání nůž narazí do nějakého předmětu, vypněte sekačku a vyčkejte, dokud se nůž nezastaví. Poté zkontrolujte stav nože a jeho upevňovacího šroubu. Pokud jsou tyto poškozeny, nebo došlo k jejich ztrátě, musí být neprodleně vyměněny.

Důležité: Při práci používejte ochranné rukavice.

Povolte šroub, který drží nůž (příslušným klíčem) otáčením proti směru hodinových ručiček, sejměte nůž a vyměňte jej za nový. Ujistěte se, že je nový nůž namontován ve správném směru. Utáhněte šroub ve směru hodinových ručiček.

10. LIKVIDACE

POKYNY A INFORMACE O NAKLÁDÁNÍ S POUŽITÝM OBALEM

Použitý obalový materiál odložte na místo určené obcí k ukládání odpadu.

LIKVIDACE POUŽITÝCH ELEKTRICKÝCH A ELEKTRONICKÝCH ZAŘÍZENÍ



Tento symbol na produktech anebo v průvodních dokumentech znamená, že použité elektrické a elektronické výrobky nesmí být přidány do běžného komunálního odpadu. Ke správné likvidaci, obnově a recyklaci předejte tyto výrobky na určená sběrná místa. Alternativně v některých zemích Evropské unie nebo jiných evropských zemích můžete vrátit své výrobky místnímu prodejci při koupi ekvivalentního nového produktu. Správnou likvidací tohoto produktu pomůžete zachovat cenné přírodní zdroje a napomáháte prevenci potenciálních negativních dopadů na životní prostředí a lidské zdraví, což by mohly být důsledky nesprávné likvidace odpadů. Další podrobnosti si vyžádejte od místního úřadu nebo nejbližšího sběrného místa. Při nesprávné likvidaci tohoto druhu odpadu mohou být v souladu s národními předpisy uděleny pokuty.

Pro podnikové subjekty v zemích Evropské unie

Chcete-li likvidovat elektrická a elektronická zařízení, vyžádejte si potřebné informace od svého prodejce nebo dodavatele. Likvidace v ostatních zemích mimo Evropskou unii Tento symbol je platný v Evropské unii. Chcete-li tento výrobek zlikvidovat, vyžádejte si potřebné informace o správném způsobu likvidace od místních úřadů nebo od svého prodejce.



Tento výrobek splňuje veškeré základní požadavky směrnice EU, které se na něj vztahují.

Změny v textu, designu a technických specifikacích se mohou měnit bez předchozího upozornění a vyhrazuje si právo na jejich změnu.

Návod k použití v originálním jazyce.

Elektrická záhradná kosačka

NÁVOD NA OBSLUHU

Ďakujeme vám, že ste si kúpili túto záhradnú elektrickú rotačnú kosačku. Skôr ako ju začnete používať prečítajte si, prosím, pozorne tento návod na obsluhu a uschovajte ho pre prípad ďalšieho použitia.

OBSAH

1. VŠEOBECNÉ BEZPEČNOSTNÉ PREDPISY.....	32
Dôležité bezpečnostné upozornenia	32
Obal	32
Návod na použitie	32
2. SYMBOLY	33
3. OPIS (OBR. 1)	34
4. ZÁSADY BEZPEČNOSTI PRÁCE.....	35
Ostatné riziká.....	35
Skôr ako začnete kosačku používať.....	36
Príprava na prevádzku.....	36
Obsluha.....	36
Údržba a uskladnenie.....	37
5. ZOSTAVENIE.....	38
5.1 Držadlo	38
5.2 Zostavenie a nasadenie zberného koša.....	39
5.3 Predlžovací kábel / zaistenie kábla.....	39
6. PREVÁDZKA.....	40
6.1 Nastavenie výšky kosenia.....	40
6.2 Nastavenie VÝŠKY držadla.....	40
6.3 Pripojenie k elektrickej sieti.....	40
6.4 Zapnutie/vypnutie kosačky.....	40
7. TECHNICKÉ ÚDAJE.....	41
8. Riešenie problémov.....	42
9. ÚDRŽBA.....	43
9.1 Výmena noža.....	43
10. LIKVIDÁCIA.....	44

1. VŠEOBECNÉ BEZPEČNOSTNÉ PREDPISY

DÔLEŽITÉ BEZPEČNOSTNÉ UPOZORNENIA


- ✿ Výrobok starostlivo vybalte a dajte pozor, aby ste nevyhodili žiadnu časť obalového materiálu, skôr ako nájdete všetky súčasti výrobku.
- ✿ Výrobok uchovávajte na suchom mieste mimo dosahu detí.
- ✿ Čítajte všetky upozornenia a pokyny. Zanedbanie pri dodržiavaní varovných upozornení a pokynov môže mať za následok úraz elektrickým prúdom, požiar a/alebo ťažké poranenia.

OBAL

Výrobok je umiestnený v obale brániacom poškodeniu pri transporte. Tento obal je surovinou a je preto možné ho odovzdať na recykláciu.

NÁVOD NA POUŽITIE

Skôr ako začnete so strojom pracovať, prečítajte si nasledujúce bezpečnostné predpisy a pokyny na používanie. Oboznámte sa s obslužnými prvkami a správnym používaním zariadenia. Návod dôkladne uschovajte pre prípad neskoršej potreby. Minimálne počas záruky odporúčame uschovať originálny obal vrátane vnútorného baliaceho materiálu, pokladničný doklad a záručný list. V prípade prepravy zabalte stroj späť do originálnej škatule od výrobcu, zaistíte si tak maximálnu ochranu výrobku pri prípadnom transporte (napr. sťahovanie alebo odoslanie do servisného miesta).

 **Poznámka:** Ak odovzdávate stroj ďalším osobám, odovzdajte ho spoločne s návodom. Dodržiavanie priloženého návodu na obsluhu je predpokladom riadneho používania stroja. Návod na obsluhu obsahuje tiež pokyny na obsluhu, údržbu a opravy.

Výrobca nepreberá zodpovednosť za nehody alebo škody vzniknuté následkom nedodržiavania tohto návodu.

2. SYMBOLY



Pred použitím tohto stroja si prečítajte príručku s pokynmi.



Prizerajúce sa osoby musia byť v dostatočnej vzdialenosti.



Dávajte pozor na ostré čepele. Čepele rotujú ešte po vypnutí motora. Pred údržbou alebo pri poškodení kábla vyberte zástrčku z hlavného vedenia.



Majte ohybný kábel zdroja napájania v dostatočnej vzdialenosti od čepelí.



Čepele pokračujú v rotácii aj po vypnutí stroja. Pred kontaktom so všetkými dielmi stroja čakajte, kým sa úplne nezastaví.



Nekoste trávu v daždi a neponechávajte kosačku pod šírym nebom za dažďa.



Používajte ochranu sluchu.

Používajte ochranu zraku.

Používajte ochranu dýchacích orgánov.

3. OPIS (OBR. 1)

1. Hlavný spínač
2. Bezpečnostná poistka hlavného spínača
3. Horný diel držadla
4. Rýchlopínadlo držadla
5. Spodný diel držadla
6. Transportné držadlo
7. Páka nastavenia výšky kosenia
8. Rýchlopínadlá spodného držadla – nastavenie výšky držadla
9. Zástrčka elektrického kábla



OBR. 1

4. ZÁSADY BEZPEČNOSTI PRÁCE

- ☼ Zariadenie nikdy nepoužívajte v prípade, že je poškodený či viditeľne opotrebený napájací kábel.
- ☼ V prípade, že kosačku pripojíte poškodeným káblom k zdroju napätia a potom sa dotknete miesta, kde je porušená izolácia skôr, než bude kosačka od zdroja napätia odpojená, vystavujete sa riziku úrazu elektrickým prúdom.
- ☼ Takisto sa nikdy nedotýkajte nožov, kým nebude zariadenie odpojené od zdroja napätia, a kým sa nože úplne neprestanú otáčať.
- ☼ Dbajte na to, aby sa predlžovacie káble nikdy nedostali do kontaktu s nožmi. Nože by totiž mohli poškodiť izoláciu kábla, a tým by vzniklo riziko úrazu elektrickým prúdom pri dotyku niektorej časti tela a obnaženého vodiča, ak bude pod napätím.
- ☼ Zariadenie odpojte od prívodu napätia (t. j. vytiahnite vidlicu napájacieho kábla zo sieťovej zásuvky):
 - Ak musíte nechať zariadenie bez dozoru
 - Ak sa chystáte odstrániť poruchu
 - Pred každou kontrolou, každým čistením či opravou
 - Ak narazíte pri kosení na cudzie teleso
 - Ak zariadenie nadmerne vibruje.
- ☼ Pozorne si preštudujte zásady bezpečnosti práce so zariadením a návod na obsluhu.
- ☼ Odporúčanie: Zariadenie pripájajte len k takému zdroju napätia, ktorý je vybavený prúdovým chráničom (RCD) s maximálnou hodnotou unikajúceho prúdu 30mA.
- ☼ Ak je poškodený napájací kábel, je nutná jeho výmena výrobcom alebo jeho zákazníckym servisom.
- ☼ Toto zariadenie nesmú obsluhovať osoby s obmedzenými fyzickými, zmyslovými či duševnými schopnosťami (vrátane detí). Takisto ho nesmú používať neskúsené osoby či také osoby, ktorých technické znalosti sú pre obsluhu tohto zariadenia zjavne nedostatočné. Tieto osoby môžu obsluhovať zariadenie iba pod dohľadom spôsobilej osoby, alebo po náležitom poučení o zásadách bezpečnosti práce.
- ☼ Ak sa pohybujú v blízkosti zariadenia deti, je nevyhnutné dohliadať na to, aby sa so zariadením nehrali.
- ☼ Pociť mravčenia v rukách alebo dokonca ich necitlivosť je príznakom nadmerných vibrácií.
V takom prípade skráťte prácu, prerušujte ju dostatočne dlhými prestávkami, rozdeľte ju medzi niekoľko ľudí alebo, v prípade dlhodobého používania kosačky, používajte pri práci špeciálne antivibračné rukavice.
- ☼ Nevyhnutným sprievodným javom používania kosačky je to, že za chodu vydáva hluk. Hlučné práce preto vykonávajte iba vo vyhradených hodinách, resp. v čase, ktorý je pre tieto činnosti bežný. Rešpektujte čas pokoja a prácu sa snažte skrátiť na nevyhnutný čas.
Takisto odporúčame, aby ste Vy aj osoby, pohybujúce sa v bezprostrednej blízkosti kultivátora, boli vybavení chráničmi sluchu.

OSTATNÉ RIZIKÁ

- ☼ Napriek tomu, že sú naše výrobky konštruované tak, aby vyhovovali platným technickým normám a bezpečnostným predpisom, pretrvávajú v spojení s obsluhou zariadenia pre jeho používateľa niektoré riziká:
 - Z priestoru žacieho mechanizmu môžu odlietať kamene alebo ich úlomky.
 - Ak nebude obsluha zariadenia pri práci používať ochranu sluchu, vystavuje sa riziku následného ohluchnutia.
 - Poranenie prstov pri údržbe noža
 - Vdýchnutie častíc odrezkov trávín
 - Zasiahnutie elektrickým prúdom pri dotyku neizolovaných súčastí.

- ☼ Toto zariadenie nesmú obsluhovať osoby s obmedzenými fyzickými, zmyslovými či duševnými schopnosťami (vrátane detí), prípadne osoby neskúsené či také osoby, ktorých technické znalosti sú pre danú úlohu zjavne nedostatočné; tie smú zariadenie obsluhovať iba pod dohľadom inej, na to spôsobilej osoby, alebo v prípade, že ich táto osoba dôkladne poučila o zásadách bezpečnej práce so zariadením.
- ☼ Ak sa pohybujú v blízkosti zariadenia deti, je nevyhnutné dohliadať na to, aby sa so zariadením nehrali.

⚠ POZOR! Pred použitím tejto kosačky na trávnu si pozorne preštudujte návod na obsluhu. Uistite sa, či ste sa dôkladne oboznámili so všetkými jej ovládacími prvkami. Dodržiavaním pravidiel pre bezpečnú prácu so zariadením minimalizujete riziko vzniku požiaru, zasiahnutie elektrickým prúdom či mechanických poranení.

- ☼ Návod na obsluhu pre prípad potreby starostlivo uschovajte.
- ☼ Nesprávnym použitím zariadenia vzniká nebezpečenstvo úrazu. Kosačka na trávnu môže používateľovi aj iným osobám, nachádzajúcim sa v jeho blízkosti, spôsobiť vážny úraz, preto je nutné neustále dodržiavať pravidlá pre jej bezpečné použitie, aby sa toto riziko pokiaľ možno vylúčilo. V tomto zmysle je používateľ zodpovedný za bezpečnosť pri práci so zariadením. Takisto nikdy nepoužívajte zariadenie v prípade, že na ňom bude chýbať ktorýkoľvek z bezpečnostných prvkov alebo ktorýkoľvek z nich nebude plne funkčný.

SKÔR AKO ZAČNETE KOSAČKU POUŽÍVAŤ

- ☼ Prečítajte si pozorne všetky pokyny, uvedené v tomto návode na obsluhu. Dôkladne sa oboznámte s ovládacími prvkami zariadenia a zásadami jeho správneho použitia.
- ☼ Nikdy nedovoľte deťom či neznámym osobám, o ktorých bezpečne neviete, že sú oboznámené s ovládacími prvkami a pravidlami bezpečnosti práce s týmto zariadením, aby s kosačkou samostatne pracovali. Národná legislatíva môže takisto stanoviť minimálnu vekovú hranicu, od ktorej je dovolené samostatne obsluhovať tento typ zariadenia. Oboznámte sa, prosím, s príslušnými zákonmi, upravujúcimi túto problematiku vo vašej krajine.
- ☼ Kosačku nikdy nepoužívajte v prípade, že sa v jej blízkosti budú voľne pohybovať osoby, najmä malé deti, či domáce zvieratá.
- ☼ Buďte si neustále vedomý toho, že za prípadné zranenia či škody na majetku spôsobené prevádzkou zariadenia nesie plnú zodpovednosť jeho používateľ.

PRÍPRAVA NA PREVÁDZKU

- ☼ Pri práci je nutné nosiť vhodnú obuv a dlhé nohavice. S kosačkou nikdy nepracujte, ak ste bosí alebo ak máte na nohách iba sandále.
- ☼ Pred začatím práce prezrite terén a odstráňte všetky predmety, ktoré môžu byť zariadením vymrštené.

⚠ POZOR! Pred každým použitím zariadenia sa presvedčte, či nie sú poškodené či nadmerne opotrebené žací nôž, čap jeho upevnenia či všeobecne celá konštrukcia kosačky. Ak chcete vymeniť nejaký poškodený či opotrebený diel, ktorý sa na zariadení nevyskytuje iba v jednom exemplári, vymieňajte zakaždým celú skupinu, aby váš zásah nespôsobil nerovnováhu.

OBSLUHA

- ☼ Zariadenie obsluhujte iba za denného svetla či za dostatočného umelého osvetlenia.
- ☼ Pokiaľ možno nekoste mokrú trávnu.

- ☼ Dbajte na to, aby ste pri práci vždy mali pevnú oporu a istý postoj.
- ☼ Za kosačkou nebehajte, ale vždy iba choďte normálnym tempom.
- ☼ Pre prácu s kosačkou platia nasledujúce všeobecné pravidlá: Pri kosení porastu na svahu nepostupujte smerom hore a dole, ale zásadne po vrstevniciach, teda vodorovne, kolmo ku sklonu svahu.
- ☼ Pri každej zmene smeru na svahu dbajte na zvýšenú opatrnosť.
- ☼ Kosačku nikdy nepoužívajte na extrémne strmých svahoch.
- ☼ Ak musíte kosačku za chodu pritiahnúť smerom k sebe, alebo ak je pri kosení nutné pohybovať kosačkou smerom vzad, dbajte pritom na zvýšenú opatrnosť.
- ☼ V prípade, že sa zariadenie kamkoľvek prepravuje alebo ak ním prechádzate po nezastrávnenej ploche, vždy vypnite pohon nožov.
- ☼ Nikdy nepoužívajte zariadenie v prípade, že zistíte, že na ňom sú poškodené kryty, alebo že na ňom chýba ktorýkoľvek z bezpečnostných prvkov, ako sú odrážače či lapače pokosenej trávy.
- ☼ Motor vždy spúšťajte iba tak, ako je popísané v návode na obsluhu; pritom dbajte na to, aby sa pri tomto úkone vaše nohy nenachádzali v blízkosti nožov.
- ☼ Pri štartovaní motora nikdy zariadenie nenaklápajte, ak to pre štartovanie nie je vložene nevyhnutné. V tomto prípade obráťte kosačku tou stranou hore, ktorá je od vás ďalej.
- ☼ Nikdy nestrkajte ruky či nohy pod kosačku, predovšetkým nie do blízkosti pohyblivých dielov. Nikdy nezakrývajte vyhadzovací otvor na odvod pokosenej trávy.
- ☼ Zariadenie nikdy neprepravujte, ak ešte beží motor.
- ☼ Vždy najprv zastavte motor a vyťahnite vidlicu napájacieho kábla zo zásuvky; až potom je možné začať odstraňovať poruchy či vyprázdniť zberný kôš na pokosenú trávu.
 - Rovnako postupujte pred každou kontrolou, každým čistením či každou opravou zariadenia.
 - Prípadne, ak ste pri kosení narazili na nejaké cudzie teleso, skontrolujte, či nedošlo k poškodeniu kosačky; ak áno, je nutné pred opätovným spustením motora toto poškodenie opraviť.
 - Alebo ak začne zariadenie nezvykle silne vibrovať (okamžite vykonajte kontrolu zariadenia!)
- ☼ Motor zastavte zakaždým, keď odchádzate preč od zariadenia.

ÚDRŽBA A USKLADNENIE

- ☼ Dbajte na to, aby všetky matice, čapy a skrutky boli vždy riadne utiahnuté, zaisťte tak bezpečný chod zariadenia.
- ☼ Pravidelne kontrolujte, či nie je poškodený či nadmerne opotrebený zberný kôš.
- ☼ Opotrebené či poškodené diely ihneď vymeňte za nové, prispějete tak k bezpečnej prevádzke vašej kosačky.
- ☼ Pri nastavovaní nastaviteľných prvkov dajte pozor, aby ste si nezovreli prsty medzi pohyblivé nože a pevnú časť zariadenia. Ak chcete kosačku uložiť v uzatvorenom priestore, nechajte predtým vychladnúť jej motor.

5. ZOSTAVENIE

Montáž je jednoduchá, ak sa budete riadiť nasledujúcimi inštrukciami:

5.1 DRŽADLO

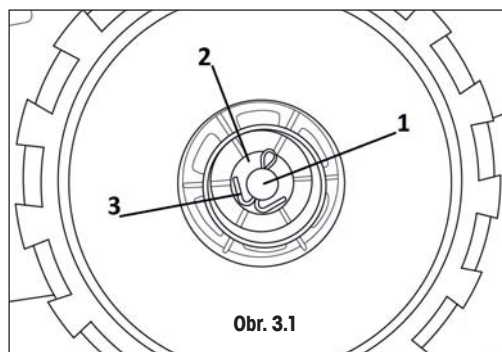
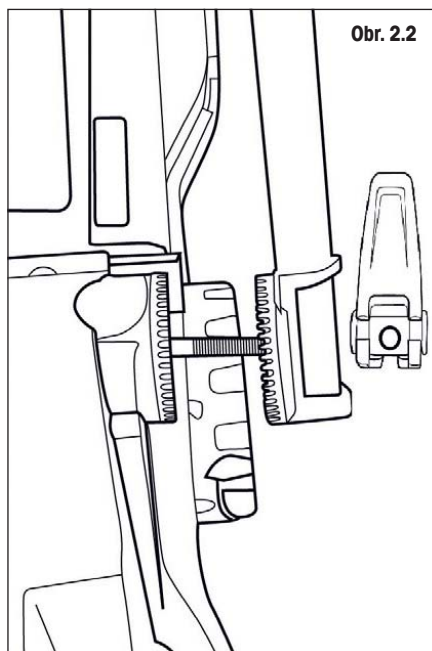
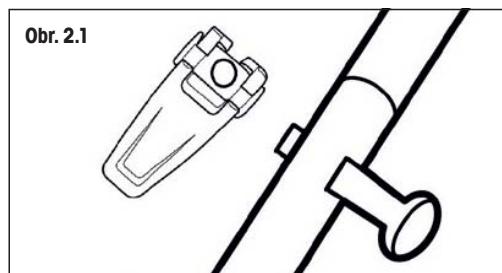
- ✿ Spojte horný a spodný diel držadla pomocou priložených skrutiek a matíc s pákou rýchlopínadla. Obrázok 2.1.
- ✿ Pripojte spodný diel držadla ku kosačke. Obrázok 2.2.
- ✿ Pripevnite kábel k držadlu pomocou plastických spôn.

Poznámka:

- Držadlo je výškovo nastaviteľné a na účely skladovania je možné ho úplne sklopíť.


5.2 NASADENIE KOLIES

- ✿ Koleso kosačky nasadíte na os. Obrázok 3.1 bod 1. Následne nasadíte podložku a zaistíte závlačkou. Obrázok 3.1., bod 2. a 3. Nakoniec nasadíte krytku kolesa. Tento postup opakujte pre všetky 4 kolesá.



5.3 ZOSTAVENIE A NASADENIE ZBERNÉHO KOŠA.

- ✿ Zasuňte držadlo do krytu zberného koša. Pozrite Obr. 4.1.
- ✿ Nasadíte textilnú časť na veko koša a rám. Obr. 4.2
- ✿ Nasadenie koša: Zdvihnute zadný kryt, držte ho zdvihnutý a nasadíte kôš.

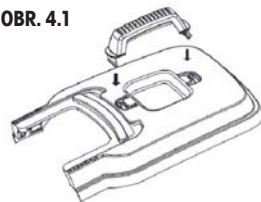
 **Poznámka:** Na použitie bez zberu trávy sa môže kosačka použiť bez zberného koša.

Bezpečnostný kryt vo zvislej polohe potom funguje ako usmerňovač pokosenej trávy. Tá je takto vyriadkovaná za kosačkou.

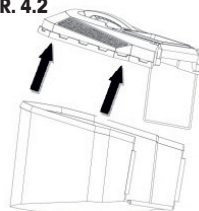
5.4 PREDLŽOVACÍ KÁBEL / ZAISTENIE KÁBLA

Zapojte zástrčku kosačky do zásuvky na káblu. Aby ste predišli rozpojeniu káblov počas prevádzky, prevlečte kábel držiakom kábla.

OBR. 4.1



OBR. 4.2



6. PREVÁDZKA

6.1 NASTAVENIE VÝŠKY KOSENIA

! Pred nastavovaním výšky kosenia sa vždy presvedčte, či je kosačka vypnutá a nôž sa nepohybuje.

⚠ UPOZORNENIE: Nôž sa po vypnutí kosačky niekoľko sekúnd točí. Točiaci nôž môže spôsobiť zranenie.

Kosačka je vybavená centrálnym nastavením výšky kosenia s 6 možnosťami nastavenia: v rozsahu od 25 mm do 75 mm.

Vyberte výšku kosenia presunutím páčky do požadovanej polohy. (zatlačte páčku smerom von, presuňte do správnej polohy, pohybom dovnútra sa opäť zaistí. Pozrite Obr. 5.

📖 Poznámka:

- Trávniky tvorené štandardnou trávnuou zmesou by sa nemali kosť na menšiu výšku než 4 cm. Trávnik by sa nemal skracovať o viac ako 1/3 svojej výšky.

6.2 NASTAVENIE VÝŠKY DRŽADLA

Výšku držadla si môžete ľahko prispôbiť svojej potrebe.

Uvoľnite upínacie páčky (obr. 1 bod 8) na oboch stranách držadla.

Požadovanú výšku držadla zvolíte jeho pohybom hore či dole. Potom opäť zaistíte rýchlopínacie páčky.

6.3 PRIPOJENIE K ELEKTRICKEJ SIETI.

Zapojte zástrčku kábla do elektrickej siete (230 – 240 V, 50 Hz).

Uistite sa, či je k dispozícii dostatočná dĺžka kábla.

6.4 ZAPNUTIE/VYPNUTIE KOSAČKY

6.4.1 Zapnutie:

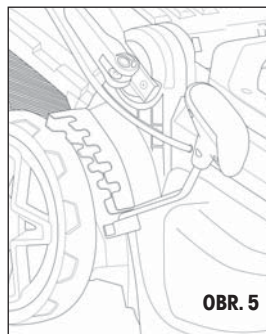
Stlačte a držte bezpečnostné tlačidlo, pozrite Obr. 6, bod 1, potom priťahnite spínaciu páku k držadlu, pozrite Obr. 6, bod 2 Uvoľnite bezpečnostné tlačidlo.

6.4.2 Vypnutie:

Uvoľnite spínaciu páku, pozrite Obr. 6, bod 2

⚠ UPOZORNENIE: Nôž sa po vypnutí kosačky niekoľko sekúnd točí.

⚠ UPOZORNENIE: Kosačku nevypínajte a nezapínajte v rýchlom slede.



7. TECHNICKÉ ÚDAJE

Model	FZR 2048 E
Napájanie	230 – 240 V, 50 Hz
Príkion	2 000 W
Otáčky naprázdno	3 550 ot./min.
Šírka záberu (dĺžka noža):	420 mm
Výšky kosenia	25 – 75 mm (6 pozícií)
Objem zberného koša	48 l
Prázdna hmotnosť:	12,5 kg
Hlučnosť	
LpA (akustický tlak)	82,4 dB(A) K = 3 dB(A)
LwA (hladina akustického výkonu)	89,5 dB(A) K = 1,80 dB(A)
Garantovaná hladina akustického výkonu (LwA max.) v súlade so smernicou pre hlučnosť 2000/14:	
LwA MAX.	95 dB(A)
Vibrácie:	max. 2,17 m/s ² K = 1,5 m/s ²

8. RIEŠENIE PROBLÉMOV

PROBLÉM	MOŽNÁ PRÍČINA	RIEŠENIE
Rukoväť nie je v správnej polohe	Skrutky uchytenia držadla nie sú správne usadené. Spojovacie skrutky držadla kosačky nie sú dotiahnuté.	Upravte výšku rukoväti a zaistite, aby boli skrutky správne usadené v predvŕtaných otvoroch. Dotiahnite spojovacie skrutky.
Kosačka sa nezapne.	Predlžovací kábel nie je pripojený do zástrčky kosačky. Predlžovací kábel nie je pripojený k zdroju energie. Ovládací vypínač je chybný.	Znovu pripojte šnúru a použite obmedzovač šnúry na udržanie šnúry v blízkosti vypínača. Pripojte predlžovací kábel do zásuvky pod napätím. Nechajte vypínač na ovládanie motora vymeniť v autorizovanom servisnom stredisku.
Kosačka kosí trávu nerovnomerne.	Trávník je členitý alebo hrboľatý. Výška kosenia nie je správne nastavená.	Skontrolujte oblasť kosenia. Posuňte kolieska do vyššej polohy.
Kosačka správne nemulčuje.	Odrezkky mokrej trávy sa zachytávajú na dolnej strane dosky.	Pred kosením počkajte, kým tráva neuschne.
Kosačku je možné ťažko tlačiť.	Tráva je dlhá alebo je výška kosenia príliš malá.	Zvýšte výšku kosenia.
Kosačka vo vyšších rýchlostiach vibruje.	Hriadel motora je ohnutý. Nôž je nevyvážený.	Zastavte motor, odpojte kosačku od zdroja energie a skontrolujte, či nie je poškodená. Pred ďalším spustením kosačku opravte. Ak vibrácie pretrvávajú, zavolajte bezplatnú zákaznícku linku. Vyvážite nôž rovnomerným nabrúsením každej reznej hrany.

9. ÚDRŽBA

⚠ POZOR! Skôr ako prikrôčíte k demontáži zberného koša, vždy vypnite kosačku a vyťahnite vidlicu predlžovacieho kábla zo zásuvky.

📖 Poznámka: Nižšie uvedenú údržbu odporúčame vykonávať pravidelne; predĺžite tak životnosť zariadenia a zvýšite jeho spoľahlivosť.

- ✿ Robte pravidelnú vizuálnu kontrolu zariadenia, aby ste včas odhalili zjavné poruchy ako voľný, opačne nasadený či poškodený nôž alebo poškodené či nadmerne opotrebené diely.
- ✿ Takisto pravidelne kontrolujte, či nie sú poškodené ochranné kryty alebo ochranné zariadenia a či sú na svojich miestach.
- ✿ Pred každým použitím zariadenia vykonajte všetky potrebné opravy a údržbu.
- ✿ V prípade, že zariadenie aj napriek pravidelnej údržby nefunguje, obráťte sa na náš zákaznícky servis, prípadná oprava by sa mala vykonať u nášho zmluvného partnera, v niektorej z odborných dielní značky Fieldmann.

9.1 VÝMENA NOŽA

Na tento účel odporúčame kontaktovať autorizované servisné stredisko. Vždy používajte originálne náhradné diely.

Pred prehliadkou noža vždy kosačku odpojte od elektrickej siete a skontrolujte, či je motor vypnutý.

⚠ UPOZORNENIE: Pamätajte, že sa nôž stále niekoľko sekúnd otáča aj po vypnutí motora. Nikdy sa nepokúšajte nôž zastaviť. V pravidelných intervaloch kontrolujte, či je nôž bezpečne pripevnený, v dobrom stave a ostrý. Ak je to nevyhnutné, nabrúste ho, alebo vymeňte.

V prípade, že pri kosení nôž narazí do nejakého predmetu, vypnite kosačku a vyčkajte, kým sa nôž nezastaví. Potom skontrolujte stav noža a jeho upevňovacej skrutky. Ak sú poškodené, alebo došlo k ich strate, musia sa bezodkladne vymeniť.

Dôležité: Pri práci používajte ochranné rukavice.

Povoľte skrutku, ktorá drží nôž (príslušným kľúčom) otáčaním proti smeru hodinových ručičiek, odstráňte nôž a vymeňte ho za nový. Uistite sa, že je nový nôž namontovaný v správnom smere. Dotiahnite skrutku v smere hodinových ručičiek.

10. LIKVIDÁCIA

POKYNY A INFORMÁCIE O ZAOBCHÁDZANÍ S POUŽITÝM OBALOM

Použitý obalový materiál odložte na miesto určenej obcou na ukladanie odpadu.

LIKVIDÁCIA POUŽITÝCH ELEKTRICKÝCH A ELEKTRONICKÝCH ZARIADENÍ



Tento symbol na produktoch alebo v sprievodných dokumentoch znamená, že použité elektrické a elektronické výrobky sa nesmú pridávať do bežného komunálneho odpadu. Na správnu likvidáciu, obnovu a recykláciu odovzdajte tieto výrobky na určené zberné miesta. Alternatívne v niektorých krajinách Európskej únie alebo iných európskych krajinách môžete vrátiť svoje výrobky miestnemu predajcovi pri kúpe ekvivalentného nového produktu. Správnu likvidáciou tohto produktu pomôžete zachovať cenné prírodné zdroje a napomáhate prevencii potenciálnych negatívnych dopadov na životné prostredie a ľudské zdravie, čo by mohli byť dôsledky nesprávnej likvidácie odpadov. Ďalšie podrobnosti si vyžiadajte od miestneho úradu alebo najbližšieho zberného miesta. Pri nesprávnej likvidácii tohto druhu odpadu sa môžu v súlade s národnými predpismi udeliť pokuty.

Pre podnikové subjekty v krajinách Európskej únie

Ak chcete likvidovať elektrické a elektronické zariadenia, vyžiadajte si potrebné informácie od svojho predajcu alebo dodávateľa. Likvidácia v ostatných krajinách mimo Európskej únie Tento symbol je platný v Európskej únii. Ak chcete tento výrobok zlikvidovať, vyžiadajte si potrebné informácie o správnom spôsobe likvidácie od miestnych úradov alebo od svojho predajcu.



Tento výrobok spĺňa všetky základné požiadavky smerníc EÚ, ktoré sa naň vzťahujú.

Zmeny v texte, dizajne a technických špecifikáciách sa môžu robiť bez predchádzajúceho upozornenia a vyhradzuje si právo na ich zmenu.

Návod na použitie v originálnom jazyku.

Elektromos kerti fűnyíró

HASZNÁLATI ÚTMUTATÓ

Köszönjük, hogy megvásárolta ezt a kerti elektromos rotációs fűnyírót. Mielőtt használni kezdi, figyelmesen olvassa el ezt a használati útmutatót és őrizze meg a későbbiekre.

TARTALOM

1. ÁLTALÁNOS BIZTONSÁGI ELŐÍRÁSOK.....	46
Fontos biztonsági figyelmeztetések.....	46
Csomagolás	46
Használati útmutató.....	46
2. JELZÉSEK	47
3. LEÍRÁS (ÁBRA 1-es méret).....	48
4. A BIZTONSÁGOS MUNKAVÉGZÉS ALAPELVEI.....	49
Egyéb kockázatok.....	49
Mielőtt a fűnyírót használni kezdi	50
Előkészület az üzemeltetéshez.....	50
Kezelés	51
Karbantartás és tárolás.....	51
5. ÖSSZESZERELÉS.....	52
5.1 Fogantyú.....	52
5.2 A kosár összerakása és felszerelése.....	53
5.3 Hosszabbító kábel / a kábel rögzítése	53
6. ÜZEMELTETÉS.....	54
6.1 A vágásmagasság beállítása	54
6.2 A fogantyú MAGASSÁGÁNAK beállítása.....	54
6.3 Csatlakoztatás a villamos hálózathoz.....	54
6.4 A fűnyíró bekapcsolása és kikapcsolása	54
7. MŰSZAKI ADATOK.....	55
8. Problémamegoldás	56
9. KARBANTARTÁS	57
9.1 A kés kicserélése	57
10. MEGSEMMISÍTÉS	58

1. ÁLTALÁNOS BIZTONSÁGI ELŐÍRÁSOK

FONTOS BIZTONSÁGI FIGYELMEZTETÉSEK


- ✿ A terméket gondosan csomagolja ki, és ügyeljen arra, hogy ne dobjon ki semmit, mielőtt minden alkatrészt meg nem talál.
- ✿ A gépet tartsa száraz helyen és gyermekektől távol.
- ✿ Olvassa el az összes figyelmeztetést és utasítást. A figyelmeztetések és utasítások figyelmen kívül hagyásának áramütés, tűz és/vagy komoly sérülés lehet a következménye.

CSOMAGOLÁS

A terméket a csomagolása védi a szállítás közbeni sérüléstől. Ez a csomagolás újrahasznosítható anyagból készült.

HASZNÁLATI ÚTMUTATÓ

Mielőtt használni kezdi a gépet, olvassa el a következő biztonsági előírásokat és a használati utasításokat. Ismerkedjen meg a kezelőegységekkel és a készülék helyes használatával. Az útmutatót gondosan őrizze meg későbbi szükség esetére. Javasoljuk, hogy legalább a jótállás idejére őrizze meg a termék eredeti dobozát, csomagolását, pénztárbizonylatát és jótállási jegyét. Szállítás esetén a készüléket csomagolja vissza az eredeti gyári dobozba, ezzel biztosítja a termék maximális védelmét szállítás közben (pl. költözés vagy szakszervizbe küldés).

 **Megjegyzés:** Ha a gépet másik személynek adja el, az útmutatóval adja át. A használati útmutató utasításainak betartása a gép helyes használatának alapja. A használati útmutató a kezelésre, karbantartásra és javításra vonatkozó utasításokat is tartalmaz.

A gyártó nem felel az útmutató utasításainak be nem tartásából adódó balesetekért vagy károkért.

2. JELZÉSEK



A gép használata előtt olvassa el az utasításokat tartalmazó kézikönyvet.



A környezetben levő embereknek megfelelő távolságban kell lenniük.



Vigyázzon az éles késekre. A kések a motor kikapcsolása után is forognak. Karbantartás előtt vagy a vezeték meghibásodása esetén húzza ki a csatlakozódugót.



A tápellátást szolgáló vezetéket tartsa megfelelő távolságban a késektől.



A kések a motor kikapcsolása után is folytatják a forgást. Mielőtt bármelyik alkatrészhez hozzáérne, várja meg, amíg teljesen megállnak.



Ne nyírjon fűvet esőben, és ne hagyja a fűnyírót esőben a szabad ég alatt.



Használjon fülvédőt.
Védje a látását.
Gondoskodjon a légutak védelméről.

3. LEÍRÁS (ÁBRA 1-es méret)

1. Főkapcsoló
2. A főkapcsoló biztosítóka
3. A fogantyú felső része
4. Fogantyú gyors-rögztítője
5. A fogantyú alsó része
6. Fogantyú a szállításhoz
7. A vágási magasság beállítására szolgáló kar
8. Alsó fogantyú gyorsrögztítői - fogantyúmagasság beállítása
9. Tápkábel csatlakozó



ÁBRA 1

4. A BIZTONSÁGOS MUNKAVÉGZÉS ALAPELVEI

- ☼ A készüléket soha ne használja abban az esetben, ha a tápkábel sérült vagy szemmel láthatóan elhasználódott.
- ☼ Abban az esetben, ha a fűnyírót sérült kábellel csatlakoztatja a feszültségforráshoz, majd olyan helyen ér hozzá, ahol a szigetelés sérült, áramütés kockázatának teszi ki magát.
- ☼ Soha ne nyúljon a késekhez, amíg a készülék nincs kihúzva a hálózatból, és a kések nem hagyják abba a forgást.
- ☼ Gondoskodjon róla, hogy a hosszabbító kábelek soha ne érintkezzenek a késekkel. A kések ugyanis megsérthetik a kábel szigetelését, és ezzel áramütés veszélyének teszik ki, ha valamelyik testrésze érintkezik a szabadon maradt vezetékkel, miközben az feszültség alatt van.
- ☼ A készüléket távolítsa el a feszültségforrástól (azaz húzza ki a tápkábel csatlakozóját a hálózati konnektorból):
 - Ha felügyelet nélkül kell hagynia a készüléket
 - Ha egy hibát próbál elhárítani
 - Minden ellenőrzés, minden tisztítás és javítás előtt
 - Ha munka közben idegen tárgynak ütközik
 - Ha a készülék túlságosan rázkódik.
- ☼ Figyelmesen tanulmányozza át a biztonsági szabályokat és a használati útmutatót.
- ☼ Javaslat: A készüléket csak olyan feszültségforráshoz kapcsolja, amely 30 mA maximális szivárgási értékű áramvédővel (RCD) van ellátva.
- ☼ Ha a tápkábel sérült, ki kell cseréltetni a gyártóval vagy az ügyfélszolgálattal.
- ☼ Ezt a készüléket nem kezelheti korlátozott fizikai vagy szellemi képességű személy (gyerekeket is beleértve). Továbbá nem használhatják gyakorlatlan személyek, valamint olyanok, akik nyilvánvalóan nem rendelkeznek a kezeléshez szükséges műszaki ismeretekkel. Ilyen személyek csak egy gyakorlott személy ellenőrzése mellett, illetve alapvető munkavédelmi oktatást követően kezelhetik a készüléket.
- ☼ Ha a készülék közelében gyerekek tartózkodnak, figyelni kell rá, hogy a készülékkel ne játsszanak.
- ☼ A bizsergő érzés a kezekben vagy akár érzéketlenné válásuk a túlságosan nagy rázkódásra utal. Ilyen esetben rövideítse le a munkát, szakítsa meg elég hosszú szünetekkel, ossza el több ember között, vagy, ha hosszabb ideig használja a fűnyírót, munka közben használjon speciális antivibrációs kesztyűt.
- ☼ A fűnyíróval folytatott munka elválaszthatatlan kísérőjelensége, hogy menet közben zajos. Zajos munkát ezért csak az erre fenntartott órákban végezzen, illetve akkor, amikor szokásos. Legyen tekintettel a nyugalmi időszakokra, és a munkát igyekezzen a feltétlenül szükséges időre korlátozni.
Azt is javasoljuk, hogy Ön, és mindenki, aki a kultivatort közvetlen közelében tartózkodik, viseljen fülvédőt.

EGYÉB KOCKÁZATOK

- ☼ Noha a termékeinket úgy gyártjuk, hogy megfeleljenek az érvényes műszaki normáknak és biztonsági előírásoknak, a kezelésével kapcsolatban bizonyos kockázatok továbbra is fenyegetik a felhasználót:
 - A késtérből kövek vagy törmelékek repülhetnek ki.
 - Ha a készülék kezelője nem használ munka közben fülvédőt, süketülés veszélyének teszi ki magát.
 - Újjsérülés a kések karbantartása közben
 - A levágott fűfélék részecskéinek belélegzése
 - Áramütés kockázata a szigetetlen alkatrészek megérintése esetén.

- ☼ A készüléket nem használhatják csökkent fizikai, szellemi vagy mentális képességű személyek (beleértve a gyermekeket is), továbbá gyakorlatlan személyek, valamint olyanok, akik nyilvánvalóan nem rendelkeznek az adott feladathoz szükséges műszaki ismeretekkel; ők csak arra alkalmas személy felügyelete mellett használhatják a készüléket, vagy ha alapos tájékoztatást kaptak ilyen személytől a biztonságos munkavégzés alapelveiről.
- ☼ Ha a készülék közelében gyerekek tartózkodnak, figyelni kell rá, hogy a készülékkel ne játsszanak.

⚠ FIGYELEM! A fűnyíró használata előtt figyelmesen olvassa el a használati utasításokat. Alaposan ismerje meg a készülék valamennyi kezelőelemét. A készülékkel való biztonságos munkavégzés szabályainak betartásával a minimálisra csökkentheti a tűz, áramütés vagy mechanikus sérülés veszélyét.

- ☼ A használati útmutatót őrizze meg szükség esetére.
- ☼ A készülék nem megfelelő használata balesetveszélyes. A fűnyíró a felhasználójának vagy a közelében levő más személyeknek súlyos sérülést okozhat, ezért állandóan be kell tartani a biztonságos használatra vonatkozó szabályokat, hogy ez a kockázat a lehető legkisebb legyen.
Ebben a vonatkozásban a felhasználó a felelős a készülék használata közbeni biztonságért. Soha ne használja a készüléket akkor sem, ha a biztonsági elemek bármelyike hiányzik, vagy nem megfelelően működik.

MIELŐTT A FŰNYÍRÓT HASZNÁLNI KEZDI

- ☼ Kérjük, figyelmesen olvassa el az ebben az útmutatóban található utasításokat. Alaposan ismerje meg a készülék kezelőelemeit és a helyes használat alapelveit.
- ☼ Soha ne engedje, hogy gyerekek vagy ismeretlenek, akikről nem tudja biztosan, hogy megismerkedtek a készülék kezelőegységeivel és a munkavédelmi előírásaival, hogy önállóan dolgozzanak a fűnyíróval.
A nemzeti törvénykezés meghatározhatja azt a minimális életkort, ami felett megengedett az ilyen típusú készülék önálló használata. Ismerkedjen meg a vonatkozó törvényekkel, amelyek ezt a témát az Ön országában szabályozzák.
- ☼ A fűnyíró soha ne használja olyankor, ha a közelében szabadon mozgó emberek, különösen gyerekek, vagy állatok tartózkodnak.
- ☼ Legyen állandóan tudatában annak, hogy a készülék üzemeltetésével kapcsolatos minden sérülésért és kárért a teljes felelősség a készülék felhasználóját terheli.

ELŐKÉSZÜLET AZ ÜZEMELTETÉSHEZ

- ☼ A munkához megfelelő cipőt és hosszúnadrágot kell viselni. Soha ne dolgozzon a fűnyíróval, ha meztelb van.
- ☼ A munka megkezdése előtt nézze át a terepet, és távolítson el minden tárgyat, amelyek a készüléktől kivágódhatnak.

⚠ FIGYELEM! A készülék minden használata előtt győződjön meg róla, hogy a vágókés, az azt rögzítő csap, vagy az egész fűnyíró szerkezete nem sérült vagy elhasználódott-e. Ha olyan sérült vagy elhasználódott alkatrészt akar kicserélni, amelyből több is van a készüléken, mindig egyszerre cserélje le az összeset, nehogy a beavatkozásra kiegyensúlyozatlanságot okozzon.

KEZELÉS

- ☼ A készüléket csak nappali fénynél vagy megfelelő erősségű mesterséges fény mellett használja.
- ☼ Ha lehet, ne nyírjon nedves fűvet.
- ☼ Gondoskodjon róla, hogy munka közben biztos támasza legyen, és stabilan álljon.
- ☼ A fűnyíróval ne fusson, hanem normális tempóban gyalogoljon.
- ☼ A fűnyíróval való munkára az alábbi általános szabályok érvényesek: Ha növényzetet vagy lejtőt nyír, ne felfelé és lefelé menjen, hanem a szintvonalak mentén, tehát vízszintesen, merőlegesen a lejtőre.
- ☼ A lejtőn minden irányváltásnál különösen ügyeljen.
- ☼ Soha ne használja a fűnyírót túl meredek lejtőn.
- ☼ Ha a fűnyírót menet közben maga felé kell húznia, vagy ha hátrafelé kell haladnia vele, ilyenkor különösen ügyeljen.
- ☼ Abban az esetben, ha a készüléket máshová viszi, vagy fűmentes területen halad át vele, mindig kapcsolja ki a késmeghajtást.
- ☼ Soha ne használja a készüléket, ha észreveszi, hogy sérült fedelek vannak rajta, vagy valamelyik biztonsági egység, pl. fűkidobó vagy fűcsapda hiányzik.
- ☼ A motort mindig csak úgy indítsa be, ahogy a használati útmutatóban le van írva; figyeljen rá, hogy e művelet közben, a lába ne kerüljön a kések közelébe.
- ☼ A motor indításakor a készüléket soha ne döntse meg, ha ez az indításhoz nem kifejezetten elkerülhetetlen. Ebben az esetben a fűnyírót azzal az oldalával felfelé fordítsa, amelyik Öntől távolabb van.
- ☼ Soha ne tegye a kezét vagy lábát a fűnyíró alá, különösen a mozgó részek közelében. Soha ne fedje le a kidobónyílást, ahol a levágott fű távozik.
- ☼ A készüléket soha ne szállítsa, amíg a motor működésben van.
- ☼ Először mindig állítsa le a motort, és húzza ki a vezetéket a konnektorból; csak ezután szabad a hibákat elhárítani vagy kiüríteni a gyűjtőkosarat.
 - Ugyanígy járjon el a készülék minden ellenőrzése, minden tisztítása és javítása előtt.
 - Ha fűnyírás közben valamilyen idegen tárgyba ütközik, ellenőrizze, nem sérült-e meg a fűnyíró; ha igen, a motor újabb beindítása előtt a sérülést ki kell javítani.
 - Vagy ha a készülék szokatlanul gyorsan kezd rázkódni (azonnal ellenőrizni kell a készüléket!)
- ☼ A motort minden egyes alkalommal állítsa le, ha elmegy a készüléktől.

KARBANTARTÁS ÉS TÁROLÁS

- ☼ Gondoskodjon róla, hogy minden anyacsavar, csap és csavar alaposan meg legyen húzva, ezzel biztosítja a készülék biztonságos működését.
- ☼ Rendszeresen ellenőrizze nem sérült vagy túl elhasználódott-e a gyűjtőkosár.
- ☼ Az elhasználódott vagy megsérült alkatrészeket azonnal cserélje ki újakra, ezzel elősegíti készüléke biztonságos működését.
- ☼ Az állítható alkatrészek beállításakor figyeljen rá, hogy ne dugja a kezét a mozgó kések és a készülék szilárd része közé. Ha a fűnyírót zárt térbe szeretné eltenni, először hagyja a motort kihűlni.

5. ÖSSZESZERELÉS

Az összeszerelés könnyű, ha az alábbi instrukciókat követi:

5.1 FOGANTYÚ

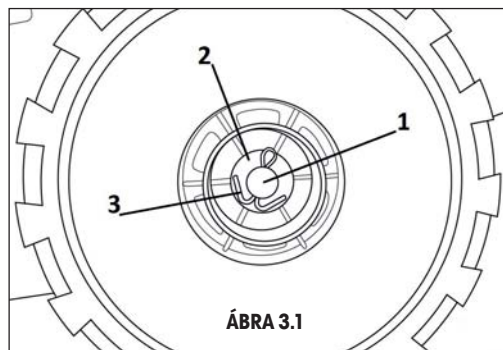
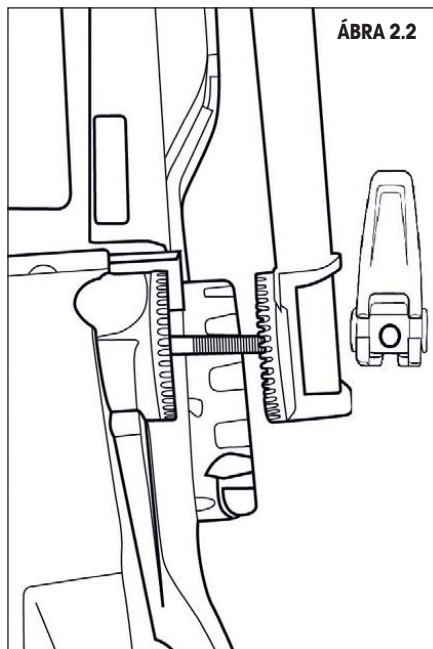
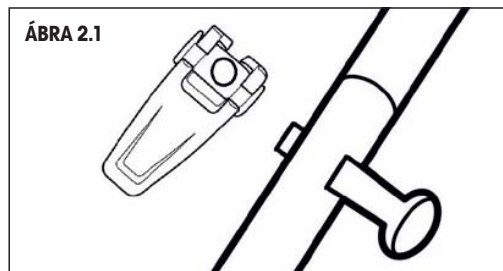
- ✿ Szerelje össze a fogantyú alsó és felső részét a mellékelt csavarok és gyorskioldós anyák segítségével. 2.1 ábra
- ✿ Csatlakoztassa a fogantyú alsó részét a fűnyíróhoz. 2.2 ábra
- ✿ A műanyag kapcsok segítségével rögzítse a kábelt a fogantyúhoz.

Megjegyzés:

- A kar magassága állítható, és tárolás céljából teljesen összehajtható.


5.2 A KEREKEK FELHELYEZÉSE

- ✿ A fűnyíró kerekét tegye rá a tengelyre. 3.1 ábra 1. pont Ezután tegye fel az alátétet, és rögzítse a sasszeggel. 3.1 ábra 2. és 3. pont Végül helyezze fel a kerékfedelel. Ugyanezt ismételje meg mind a négy kerék esetében.



5.3 A KOSÁR ÖSSZERAKÁSA ÉS FELSZERELÉSE.

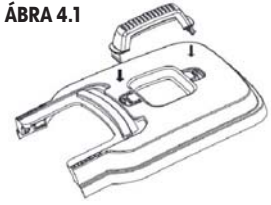
- ✿ Dugja be a fogót a gyűjtőkosár fedelére. Lásd 4.1 ábra.
- ✿ A textil részt helyezze a kosár fedelére és a keretre. 4.2 ábra
- ✿ A kosár felszerelése: Emelje fel a hátsó fedelet, tartsa felnyitva és helyezze fel a kosarat.

 **Megjegyzés:** Fűgyűjtés nélküli használat esetén a gép a gyűjtőkosár nélkül is használható.
A biztonsági fedél függőleges állásban ekkor a levágott fű irányítására szolgál. Ez akkor sorba rakva megmarad a fűnyíró mögött.

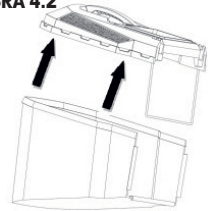
5.4 HOSSZABBÍTÓ KÁBEL / A KÁBEL RÖGZÍTÉSE

Kapcsolja össze a fűnyíró csatlakozóját a kábelével. Hogy elkerülje a kábel üzemelés közben történő szétkapcsolódását, fűzze át a kábelt egy kábeltartón.

ÁBRA 4.1



ÁBRA 4.2



6. ÜZEMELTETÉS

6.1 A VÁGÁSMAGASSÁG BEÁLLÍTÁSA

! A vágásmagasság beállítása előtt mindig győződjön meg róla, hogy a fűnyíró ki van kapcsolva, és a kés nem mozog.

⚠ FIGYELMEZTETÉS: A kés a fűnyíró kikapcsolása után néhány másodpercig még forog. A forgó kés sérülést okozhat.

A fűnyíró központi vágásmagasság beállítással van ellátva, amelyen 6 beállítási lehetőség van: 25 mm-től 75 mm-ig.

A vágásmagasságot a kar kívánt pozícióba helyezésével állíthatja be. (nyomja a kart kifelé, tolja a helyes állásba, és egy befelé történő mozdulattal újra rögzítheti. Lásd 5. ábra

Megjegyzés:

- A hagyományos fűkeverékből készült gyepet legalább 4 cm magasságban kell vágni. A gyepek magasságát legfeljebb 1/3 mértékben rövidítse meg.

6.2 A FOGANTYÚ MAGASSÁGÁNAK BEÁLLÍTÁSA

A fogantyú magasságát könnyen beállíthatja szükségletei szerint.

Lazítsa meg a rögzítő karokat (1. ábra 8. pont) a fogantyú mindkét oldalán.

A fogantyú kívánt magasságát állítsa be felfelé vagy lefelé történő mozgatással. Ezután ismét rögzítse a feszítőpálcával.

6.3 CSATLAKOZTATÁS A VILLAMOS HÁLÓZATHOZ.

Csatlakoztassa a kábelcsatlakozót az elektromos hálózatba (230-240 V, 50 Hz).

Bizonyosodjon meg róla, hogy elegendő hosszúságú kábel áll rendelkezésre.

6.4 A FŰNYÍRÓ BEKAPCSOLÁSA ÉS KIKAPCSOLÁSA

6.4.1 **Bekapcsolás:**

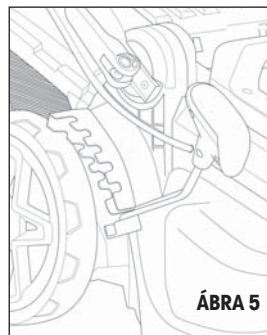
Nyomja meg és tartsa a biztonsági kapcsolót, lásd 6. ábra 1. pont, majd nyomja a kapcsolókart a fogantyúhoz. Lásd 6. ábra 2. pont. Engedje fel a biztonsági gombot.

6.4.2 **Kikapcsolás:**

Lazítsa meg a kapcsolókart, lásd 6. ábra, 2. pont

⚠ FIGYELMEZTETÉS: A kés a fűnyíró kikapcsolása után néhány másodpercig még forog.

⚠ FIGYELMEZTETÉS: A fűnyírót ne kapcsolja ki és be gyors egymásutánban.



7. MŰSZAKI ADATOK

Model	FZR 2048 E
Tápellátás	230-240 V, 50 Hz
Teljesítményfelvétel	2000 W
Fordulatszám üresben	3550 ford./perc
Az átmérő szélessége (a kés hossza):	420 mm
Vágásmagasság	25-75 mm (6 állás)
A gyűjtőkosár térfogata	48 l
Üres tömeg:	12,5 kg
Zajszint	
LpA (akusztikus nyomás)	82,4 dB (A) K = 3 dB (A)
LwA (az akusztikai teljesítmény szintje)	89,5 dB (A), K = 1,80 dB (A)
A garantált akusztikai teljesítményszint (max. LWA) összhangban van a 2000/14 zajszintről szóló iránnyelvel:	
LwA MAX	95 dB(A)
Vibráció:	max. 2,17 m/s ² K = 1,5 m/s ²

8. PROBLÉMAMEGOLDÁS

PROBLÉMA	LEHETSÉGES OK	MEGOLDÁS
A fogantyú nincs megfelelő helyzetben	A fogantyú csavarjai nincsenek a helyükön. A fogantyú csavarjai nincsenek jól behúzva.	Módosítsa a fogantyú magasságát és biztosítsa, hogy a csavarok a helyükön legyenek az előfűrott nyílásokban. Húzza be a csavarokat.
A fűnyíró nem kapcsol be.	A hosszabítókábel nem csatlakozik a fűnyíró dugójához. A hosszabítókábel nem csatlakozik a tápegységhez. A kezelőkapcsoló hibás.	Újra csatlakoztassa a kábelt és használja a kábel korlátozót, hogy a kábelt a kapcsoló közelében tartsa. A hosszabítókábelt csatlakoztassa váltakozó áramú tápegységhez. A kezelőkapcsolót cseréltesse ki egy hivatalos szervizközpontban.
A fűnyíró nem egyenletesen nyírja a fűvet.	A pázsit egyenetlen vagy rögös. A nyírásmagasság nincs jól beállítva.	Ellenőrizze a nyírórészt. Tegye az kerekeket magasabb helyzetbe.
A fűnyíró talajtakarási funkciója nem működik jól.	Nedves fűdarabok megakadnak a lap alsó felén.	Nyírás előtt várja meg, míg a fű kiszárad.
A fűnyírót nehéz tolni.	A fű magas vagy a nyírásmagasság túl alacsony.	Emelje meg a nyírásmagasságot.
Magasabb sebességnél a fűnyíró vibrál.	A motor tengelye meghajlott. A kés kiegyensúlyozatlan.	Állítsa le a motort, húzza ki a fűnyírót az áramforrásból, és ellenőrizze, hogy nem károsodott-e meg. Az újabb használat előtt javítsa meg a fűnyírót. Ha a vibráció nem szűnik meg, hívja az ingyenes ügyfélvonalat. Egyensúlyozza ki a kést a vágóélek élesítésével.

9. KARBANTARTÁS

⚠ FIGYELEM! Mielőtt hozzáfogsz a gyűjtőkosár leszereléséhez, mindig kapcsolj ki a fűnyírót, és húzza ki a hosszabbítót a konnektorból.

📖 Megjegyzés: Javasoljuk, hogy az alábbiakban leírt karbantartást rendszeresen végezze el; ezzel meghosszabbítja a készülék élettartamát, és növeli megbízhatóságát.

- ☼ Rendszeresen vizsgálja át a készüléket, hogy időben felfedje az olyan szemmel látható hibákat, mint a szabad, fordítva felrakott vagy hibás kés, vagy meghibásodott vagy elhasznált alkatrészek.
- ☼ Azt is rendszeresen ellenőrizze, nem sérültek-e meg a védőfedelekek vagy a védőberendezések, és hogy a helyükön vannak-e.
- ☼ A készülék minden használata előtt végezzen el minden szükséges javítást és karbantartást.
- ☼ Amennyiben a készülék a rendszeres karbantartás ellenére nem működik, forduljon ügyfélszolgálatunkhoz, az esetleges javítást szerződéses partnerünk, a Fieldmann egyik műhelyében kell elvégezni.

9.1 A KÉS KICSERÉLÉSE

Javasoljuk, hogy ehhez lépjen kapcsolatba a szakszervizzel. Mindig eredeti pótalkatrészeket használjon.

A kés átvizsgálása előtt mindig húzza ki a fűnyírót a hálózathoz, és ellenőrizze, hogy a motor ki van kapcsolva.

⚠ FIGYELMEZTETÉS: Ne felejtse el, a kés néhány másodpercig még forog a motor kikapcsolása után is. Soha ne próbálja meg megállítani a kést. Rendszeres időközönként ellenőrizze, hogy a kés biztonságosan rögzítve van, az állapota jó és éles. Szükség esetén élezze újra vagy cserélje ki.

Amennyiben fűnyírás közben a kés valamilyen tárgyba ütközik, kapcsolj ki a fűnyírót, és várjon, míg a kés meg nem áll. Ezután ellenőrizze a kés és az azt rögzítő csavar állapotát.

Ha ezek megsérültek vagy elvesztek, haladéktalanul ki kell cserélni őket.

Fontos: A munkánál használjon védőkesztyűt.

Az óramutató járásával ellentétes irányba tekerve engedje ki a kést tartó csavart (megfelelő kulccsal), vegye ki a kést, és cserélje ki egy újra. Győződjön meg róla, hogy az új kés megfelelő irányba van felszerelve. A csavart húzza be óramutató-járási irányban.

10. MEGSEMMISÍTÉS

A HASZNÁLT CSOMAGOLÓANYAGOKRA VONATKOZÓ UTASÍTÁSOK ÉS TÁJÉKOZTATÓ

A használt csomagolóanyagot az önkormányzat által kijelölt hulladékgyűjtő helyen adja le.

AZ ELHASZNÁLÓDOTT ELEKTROMOS ÉS ELEKTRONIKUS BERENDEZÉSEK MEGSEMMISÍTÉSE



Ez a jel a terméken vagy a kísérő dokumentációban azt jelenti, hogy a használt elektromos és elektronikus berendezéseket nem szabad a háztartási hulladék közé dobni. A megfelelő megsemmisítéshez és újrafelhasználáshoz az ilyen terméket adja le a kijelölt gyűjtőhelyeken. A fentiek alternatívájaként az EU országokban, illetve más európai országokban, hasonló termék vásárlása esetén az elhasznált termék az eladóhelyen is leadható. A termék megfelelő módon történő megsemmisítésével segít megőrizni az értékes természeti erőforrásokat, és hozzájárul a nem megfelelő hulladék-megsemmisítés által okozott esetleges negatív környezeti és egészségügyi hatások megelőzéséhez. A további részletekről a helyi önkormányzati hivatal vagy a legközelebbi hulladékgyűjtő hely ad tájékoztatást. Ezen hulladékfajta nem megfelelő megsemmisítése a helyi előírásokkal összhangban bírsággal sújtható.

Az Európai Unió országában működő vállalkozások részére

Ha elektromos vagy elektronikus berendezést kíván megsemmisíteni, erre vonatkozóan kérjen információkat a termék eladójától vagy forgalmazójától. Megsemmisítés nem EU országokban Ez a jel Európában érvényes. Ha meg akarja semmisíteni a terméket, a megfelelő megsemmisítésre vonatkozó információkat kérje a helyi hivataloktól vagy az eladójától.



Ez a termék teljesíti minden rá vonatkozó EU-irányelv alapkövetelményeit.

Változtatások a szövegben, a kivitelben és a műszaki jellemzőkben előzetes figyelmeztetés nélkül történhetnek, a módosításra vonatkozó jog fenntartva.

Használati útmutató az eredeti nyelven.

Elektryczna kosiarka ogrodowa

INSTRUKCJA OBSŁUGI

**Dziękujemy za zakupienie tej ogrodowej elektrycznej kosiarki rotacyjnej.
Zanim zaczniesz z niej korzystać, przeczytaj uważnie niniejszą instrukcję obsługi
i zachowaj ją do wglądu.**

SPIS TREŚCI

1. OGÓLNE ZASADY BEZPIECZEŃSTWA	60
Ważne ostrzeżenia dotyczące bezpieczeństwa	60
Opakowanie.....	60
Instrukcja obsługi.....	60
2. SYMBOLE	61
3. OPIS (RYS. 1).....	62
4. ZASADY BEZPIECZNEJ PRACY	63
Pozostałe ryzyka.....	63
Zanim zaczniesz korzystać z kosiarki.....	64
Przygotowanie do eksploatacji.....	64
Obsługa	65
Konserwacja i przechowywanie	65
5. MONTAŻ.....	66
5.1 Uchwyt	66
5.2 Montaż i założenie kosza.....	67
5.3 Przedłużacz / zabezpieczenie przedłużacza	67
6. EKSPLOATACJA.....	68
6.1 Ustawienia wysokości koszenia	68
6.2 Ustawienie WYSOKOŚCI uchwytu.....	68
6.3 Podłączanie urządzenia do sieci elektrycznej.....	68
6.4 Włączanie/wyłączanie kosiarki	68
7. DANE TECHNICZNE	69
8. Rozwiązywanie problemów	70
9. KONSERWACJA.....	71
9.1 Wymiana noża	71
10. LIKWIDACJA.....	72

1. OGÓLNE ZASADY BEZPIECZEŃSTWA

WAŻNE OSTRZEŻENIA DOTYCZĄCE BEZPIECZEŃSTWA


- ✿ Starannie rozpakuj wyrób, zwracając uwagę, by nie wyrzucić żadnej części materiału opakowaniowego, zanim nie znajdziesz wszystkich elementów produktu.
- ✿ Przechowuj wyrób w suchym miejscu z dala od dzieci.
- ✿ Przeczytaj wszystkie uwagi i wskazówki. Nieprzestrzeganie ostrzeżeń i wskazówek może spowodować porażenie prądem elektrycznym, pożar lub ciężkie obrażenia.

OPAKOWANIE

Wyrób został umieszczony w opakowaniu chroniącym je przed uszkodzeniem podczas transportu. Opakowanie to jest surowcem i dlatego podlega recyklingowi.

INSTRUKCJA OBSŁUGI

Przed rozpoczęciem pracy z urządzeniem przeczytaj następujące zasady bezpieczeństwa i wskazówki dotyczące użytkowania. Zapoznaj się z elementami sterowania i prawidłowym użyciem urządzenia. Instrukcję należy ze starannością zachować do wglądu. Przynajmniej w czasie okresu gwarancyjnego zaleca się zachować oryginalne opakowanie włącznie z wewnętrznym materiałem pakowym, paragon i kartę gwarancyjną. W razie transportu zapakuj maszynę z powrotem do oryginalnego pudełka dostarczonego przez producenta, zapewniając w ten sposób maksymalną ochronę produktu podczas ewentualnego transportu (np. przeprowadzki lub wysyłki do serwisu).

 **Uwaga:** Jeśli przekazujesz maszynę innym osobom, przekaz ją wraz z instrukcją. Przestrzeganie załączonej instrukcji obsługi stanowi przesłankę do prawidłowego użytkowania urządzenia. Instrukcja obsługi zawiera również wskazówki dotyczące obsługi, konserwacji i naprawy.

Producent nie ponosi odpowiedzialności za wypadki lub szkody powstałe na skutek nieprzestrzegania niniejszej instrukcji.

2. SYMBOLE



Przed użyciem urządzenia zapoznaj się z zaleceniami dotyczącymi jego obsługi.



Osoby towarzyszące powinny znajdować się w dostatecznej odległości.



Zachowaj ostrożność podczas pracy z ostrzami. Ostrza obracają się również po wyłączeniu silnika. Przed rozpoczęciem konserwacji lub w przypadku uszkodzenia kabla wyjmij wtyczkę z gniazdka.



Utrzymuj kabel zasilający z dostatecznej odległości od ostrzy.



Ostrza obracają się również po wyłączeniu urządzenia. Przed kontaktem ze wszystkimi częściami urządzenia odczekaj na jego całkowite zatrzymanie.



Nie koś trawy podczas deszczu i nie pozostawiaj kosiarki pod gołym niebem podczas deszczu.



Używaj ochronników słuchu.

Używaj środków ochrony wzroku.

Używaj środków ochrony dróg oddechowych.

3. OPIS (RYS. 1)

1. Wyłącznik główny
2. Bezpiecznik wyłącznika głównego
3. Górna część uchwyty
4. Mechanizm do szybkiego montażu uchwyty
5. Dolna część uchwyty
6. Uchwyt do transportu
7. Dźwignia regulacji wysokości koszenia
8. Szybkołączki na dolnym uchwycie - regulacja wysokości uchwyty
9. Wtyczka kabla zasilania



RYS. 1

4. ZASADY BEZPIECZNEJ PRACY

- ☼ Nigdy nie używaj urządzenia, jeśli kabel zasilający jest uszkodzony lub w sposób widoczny zużyty.
- ☼ Jeśli podłączysz kosiarkę z uszkodzonym kablem do źródła napięcia, a następnie dotkniesz miejsca, na którym izolacja jest uszkodzona, przed odłączeniem kosiarki od źródła napięcia, narażasz się na ryzyko porażenia prądem elektrycznym.
- ☼ Nigdy nie dotykaj również nożów, dopóki urządzenie nie zostanie odłączone od źródła zasilania i dopóki noże nie przestaną się obracać.
- ☼ Zadbaj o to, aby przedłużacze nigdy nie były w kontakcie z nożami. Noże mogą uszkodzić izolację kabli, przez co może dojść do powstania ryzyka porażenia prądem elektrycznym w razie dotknięcia częścią ciała odizolowanego przewodu znajdującego się pod napięciem.
- ☼ Odłącz urządzenie od źródła napięcia (tj. wyciągnij wtyczkę kabla zasilającego z gniazda sieciowego):
 - Jeśli musisz pozostawić urządzenie bez nadzoru
 - Jeśli zamierzasz usunąć usterkę
 - Przed każdą kontrolą, każdym czyszczeniem czy naprawą
 - Jeśli podczas koszenia natrafisz na przedmiot obcy
 - Jeśli urządzenie nadmiernie wibruje.
- ☼ Zapoznaj się dokładnie z zasadami bezpiecznej pracy z urządzeniem oraz z instrukcją obsługi.
- ☼ Zalecenia: Podłączaj urządzenie tylko do takiego źródła napięcia, które jest wyposażone w wyłącznik różnicowoprądowy (RCD) o maksymalnej wartości znamionowego prądu różnicowego 30 mA.
- ☼ Jeśli kabel zasilający jest uszkodzony, należy go oddać do wymiany przez producenta lub serwis.
- ☼ Urządzenia nie powinny obsługiwać osoby o ograniczonych zdolnościach fizycznych, sensorycznych lub mentalnych (łącznie z dziećmi). Ponadto z urządzenia nie powinny korzystać osoby o niewielkim doświadczeniu oraz osoby, których wiedza techniczna jest niedostateczna do obsługi tego urządzenia. Osoby te mogą obsługiwać urządzenie wyłącznie pod nadzorem osoby odpowiedzialnej lub po ich należytych pouczeniu w kwestii zasad bezpieczeństwa pracy.
- ☼ Jeśli w pobliżu urządzenia poruszają się dzieci, należy koniecznie zadbać o to, aby się nim nie bawiły.
- ☼ Uczucie mrowienia w rękach czy brak czucia w rękach świadczy o nadmiernych wibracjach urządzenia. W takim wypadku należy skrócić pracę, dokonywać wystarczająco długich przerw, rozdzielić ją na kilka osób lub w przypadku długiego używania kosiarki używać specjalnych rękawic przeciwwibracyjnych.
- ☼ Nieuniknionym zjawiskiem towarzyszącym użytkowaniu kosiarki jest hałas podczas pracy. Prace, którym towarzyszy hałas, należy wykonywać wyłącznie w wyznaczonych godzinach, tzn. w godzinach, w których wykonywanie takich czynności jest zwyczajowo przyjęte. Szanuj porę ciszy i staraj się ograniczyć pracę do niezbędnego czasu.
Zalecamy również, aby obsługa urządzenia i osoby znajdujące się bezpośrednio w pobliżu kultywatora były wyposażone w ochronniki słuchu.

POZOSTAŁE RYZYKA

- ☼ Pomimo tego, że nasze produkty są skonstruowane tak, aby odpowiadały obowiązującym normom technicznym i przepisom bezpieczeństwa, obsługa urządzenia może ze sobą nieść dla jego użytkowników niektóre ryzyka:
 - Z przestrzeni wokół mechanizmu tnącego mogą odlatywać kamienie lub ich ułamki.
 - Jeśli obsługa urządzenia nie będzie używać podczas pracy ochronników słuchu, naraża się na ryzyko ogłuchnięcia.
 - Obrażenia palców podczas konserwacji noża

- Wdychanie cząsteczek skoszonej trawy
 - Porażenie prądem elektrycznym przy dotknięciu niez izolowanych części.
- ☼ Urządzenia nie powinny obsługiwać osoby o ograniczonych umiejętnościach fizycznych, sensorycznych lub mentalnych (łącznie z dziećmi), ewentualnie osoby bez doświadczenia czy osoby, których wiedza techniczna związana z tym zadaniem jest ewidentnie niedostateczna. Mogą one obsługiwać urządzenie wyłącznie pod nadzorem innej kompetentnej osoby lub po uzyskaniu dokładnych instrukcji w kwestii zasad bezpiecznej pracy z urządzeniem.
- ☼ Jeśli w pobliżu urządzenia poruszają się dzieci, należy koniecznie zadbać o to, aby się nim nie bawiły.

⚠ UWAGA! Przed użyciem tej kosiarki do trawy dokładnie przeczytaj instrukcję obsługi. Upewnij się, że zapoznałeś się dokładnie z wszystkimi elementami sterowania. Przestrzeganie zasad bezpiecznej pracy z urządzeniem minimalizuje ryzyko wybuchu pożaru, porażenia prądem elektrycznym lub obrażeń mechanicznych.

- ☼ Zachowaj instrukcję obsługi do użytku w przyszłości.
- ☼ Na skutek nieprawidłowego użytkowania urządzenia powstaje ryzyko obrażeń. Użytkowanie kosiarki do trawy może spowodować u użytkownika lub osób znajdujących się w pobliżu poważne obrażenia, dlatego należy nieustannie przestrzegać zasad jej bezpiecznego użytkowania, aby wykluczyć takie ryzyko. W tym zakresie użytkownik jest odpowiedzialny za bezpieczeństwo pracy z urządzeniem. Nigdy nie używaj również urządzenia, jeśli będzie w nim brakować jakichkolwiek elementów zabezpieczających lub jeśli jakikolwiek element nie będzie sprawnie działać.

ZANIM ZACZNIESZ KORZYSTAĆ Z KOSIARKI

- ☼ Przeczytaj uważnie wszystkie zalecenia podane w niniejszej instrukcji obsługi. Zapoznaj się dokładnie z elementami sterowania urządzenia i zasadami jego prawidłowego użycia.
- ☼ Nigdy nie pozwalaj dzieciom ani osobom, których nie znasz i nie wiesz z pewnością, że zapoznali się z elementami sterowania i zasadami bezpiecznej pracy z tym urządzeniem, aby samodzielnie używały kosiarki. Lokalne przepisy prawne mogą również określać minimalną granicę wieku, od którego jest dozwolona samodzielna obsługa tego typu urządzeń. Prosimy o zapoznanie się z odpowiednimi ustawami regulującymi tę problematykę w Twoim kraju.
- ☼ Nigdy nie używaj kosiarki, jeśli w jej pobliżu będą się poruszać osoby, w szczególności małe dzieci lub zwierzęta domowe.
- ☼ Pamiętaj, że użytkownik urządzenia niesie pełną odpowiedzialność za ewentualne obrażenia lub szkody majątkowe spowodowane na skutek eksploatacji urządzenia.

PRZYGOTOWANIE DO EKSPLOATACJI

- ☼ Podczas pracy należy nosić odpowiednie obuwie i spodnie z długimi nogawkami. Nigdy nie pracuj z kosiarką, jeśli masz bose nogi lub jeśli masz na nogach sandały.
- ☼ Przed rozpoczęciem pracy sprawdź teren i usuń wszelkie przedmioty, które mogą zostać odrzucone przez urządzenie.

⚠ UWAGA! Przed każdym użyciem urządzenia sprawdź, czy nie jest uszkodzony lub nadmiernie zużyty nóż tnący, czop i jego mocowanie oraz cała konstrukcja kosiarki. Jeśli chcesz wymienić uszkodzoną lub zużytą część, która nie występuje w urządzeniu w jednym egzemplarzu, wymień zawsze cały komplet, aby wymiana nie spowodowała utraty równowagi.

OBŚLUGA

- ☼ Obsługuj urządzenie wyłącznie przy świetle dziennym lub przy dostatecznie silnym sztucznym oświetleniu.
- ☼ O ile to możliwe, nie kosć mokrej trawy.
- ☼ Zadbaj o to, aby podczas pracy mieć stabilną postawę i mocne wsparcie.
- ☼ Nie biegnij za kosiarką, ale zawsze chodź w normalnym tempie.
- ☼ Podczas pracy z kosiarką obowiązują następujące zasady ogólne: Podczas koszenia na zboczu nie chodź w kierunku w górę i w dół, ale zawsze wzdłuż poziomic, a więc poziomo, prostopadłe do nachylenia stoku.
- ☼ Przy każdej zmianie kierunku podczas pracy na zboczu należy zachować ostrożność.
- ☼ Nigdy nie używaj kosiarki na wyjątkowo stromych zboczach.
- ☼ Jeśli musisz przyciągnąć kosiarkę podczas pracy do siebie lub jeśli podczas koszenia konieczne jest poruszanie kosiarką do tyłu, zachowaj zwiększoną ostrożność.
- ☼ Jeśli przemieszczasz urządzenie lub jeśli przejeżdżasz nim po powierzchni bez trawy, wyłącz zawsze napęd noży.
- ☼ Nigdy nie korzystaj z urządzenia, jeśli stwierdzisz, że ma uszkodzone pokrywy lub jeśli brakuje na nim jakiegokolwiek elementu zabezpieczającego, jak np. odrzutniki i wyłapywacze skoszonej trawy.
- ☼ Uruchamiaj silnik wyłącznie w sposób opisany w instrukcji obsługi dbając przy tym, aby nogi nie znajdowały się w pobliżu noży.
- ☼ Podczas uruchamiania silnika nigdy nie pochylaj urządzenia, o ile nie jest to konieczne do rozruchu kosiarki. W takim wypadku przechyl kosiarkę do góry tą stroną, która jest bardziej oddalona od Ciebie.
- ☼ Nigdy nie wkładaj rąk ani nóg pod kosiarkę, w szczególności w pobliżu ruchomych części. Nigdy nie zakrywaj otworu wyrzutowego skoszonej trawy.
- ☼ Nigdy nie przemieszczaj urządzenia z włączonym silnikiem.
- ☼ Zawsze najpierw wyłącz silnik i wyjmij wtyczkę kabla zasilającego z gniazdka, a dopiero potem zacznij usuwać usterki lub opróżniać kosz na skoszoną trawę.
 - Postępuj w ten sam sposób przed każdą kontrolą, czyszczeniem lub naprawą urządzenia.
 - Jeśli podczas koszenia natrafisz na przedmiot obcy, sprawdź, czy doszło do uszkodzenia kosiarki. Jeśli tak się stało, przed ponownym uruchomieniem silnika należy naprawić uszkodzenie.
 - Postępuj w ten sam sposób, jeśli urządzenie zacznie niezwykle mocno wibrować (dokonaj natychmiast kontroli urządzenia!)
- ☼ Wyłącz silnik za każdym razem, kiedy odchodzisz od urządzenia.

KONSERWACJA I PRZECHOWYWANIE

- ☼ Zadbaj o to, aby wszystkie nakrętki, czopy i wkręty zostały prawidłowo dokręcone. Zapewni to bezpieczną pracę urządzenia.
- ☼ Sprawdzaj regularnie, czy kosz zbiorczy nie jest uszkodzony lub nadmiernie zużyty.
- ☼ Natychmiast wymień zużyte lub uszkodzone części na nowe, przyczyni się to do bezpiecznej pracy kosiarki.
- ☼ Podczas kalibrowania elementów, które można ustawić, uważaj, aby nie przytrzasnąć palców pomiędzy ruchomymi częściami a stałą częścią urządzenia. Jeśli chcesz przechowywać kosiarkę w pomieszczeniu zamkniętym, poczekaj do momentu wychłodzenia silnika.

5. MONTAŻ

Montaż jest prosta, o ile będziesz postępować zgodnie z następującymi zaleceniami:

5.1 UCHWYT

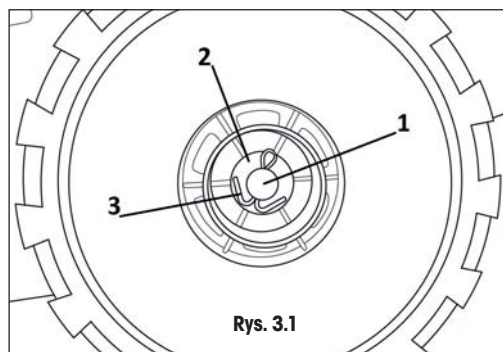
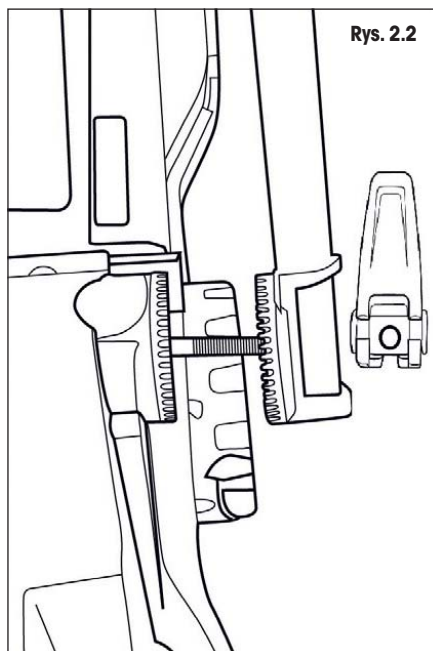
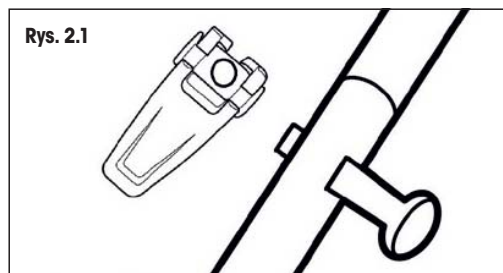
- ✿ Połącz górną i dolną część uchwytu przy pomocy dołączonych śrub i nakrętek z dźwigni szybkozłączki. Rysunek 2.1.
- ✿ Dołącz dolną część uchwytu do kosiarki. Rysunek 2.2.
- ✿ Przymocuj kabel do uchwytu przy pomocy plastikowych klamer.

Uwaga:

- Wysokość uchwytu jest regulowana i w celu przechowywania można go całkowicie złożyć.


5.2 MONTAŻ KÓŁ

- ✿ Załóż koło kosiarki na oś. Rysunek 3.1 punkt 1. Załóż podkładkę i przymocuj zawleczką. Rysunek 3.1, punkt 2 i 3. Na koniec załóż pokrywę koła. Powtórz procedurę dla wszystkich 4 kół.



5.3 MONTAŻ I ZAŁOŻENIE KOSZA.

- ✿ Wsuń uchwyt do pokrywy kosza zbiorczego. Por. rys. 4.1.
- ✿ Nasadź część tekstylną na pokrywę kosza i ramę. Rys. 4.2
- ✿ Założenie kosza: Podnieś tylną pokrywę, trzymając ją podniesioną i nasadź kosz.

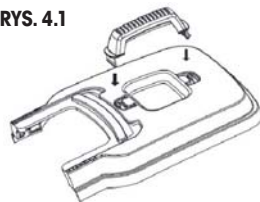
 **Uwaga:** Jeśli nie chcesz korzystać z funkcji zbierania trawy, możesz używać kosiarki bez kosza zbiorczego.

W takim wypadku pokrywa bezpieczeństwa w pozycji pionowej nadaje kierunek układania skoszonej trawy. Jest ona układana w rzędach za kosiarką.

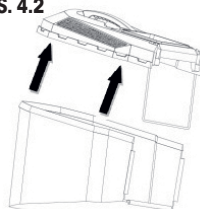
5.4 PRZEDŁUŻACZ / ZABEZPIECZENIE PRZEDŁUŻACZA

Włącz wtyczkę od kosiarki do gniazda w kablu. Aby nie dopuścić do rozłączenia kabli podczas pracy, przewlec kabel przez uchwyt.

RYS. 4.1



RYS. 4.2



6. EKSPLOATACJA

6.1 USTAWIENIA WYSOKOŚCI KOSZENIA

! Przed rozpoczęciem ustawiania wysokości koszenia sprawdź, czy kosiarka jest wyłączona i czy nóż się nie porusza.

⚠ UWAGA: Po wyłączeniu kosiarki nóż obraca się jeszcze przez kilka sekund. Obracający się nóż może spowodować obrażenia.

Kosiarka jest wyposażona w centralne ustawienia wysokości koszenia z 6 opcjami ustawień: w zakresie od 25 mm do 75 mm. Wybierz wysokość koszenia poprzez przesunięcie dźwigni na odpowiednią pozycję. (naciśnij na dźwignię w kierunku na zewnątrz, przesun ją na właściwą pozycję i ruchem do środka zabezpiecz ją. Por. rys. 5.

📖 Uwaga:

Trawniki założone przy użyciu standardowych mieszanek traw nie powinny być koszone na wysokość niższą niż 4 cm. Trawnik nie powinien być skracany o więcej niż 1/3 swojej wysokości.

6.2 USTAWIENIE WYSOKOŚCI UCHWYTU

Wysokość uchwytu można z łatwością dostosować zgodnie z własnymi potrzebami.

Poluzuj dźwignię zaciskowe (rys. 1 punkt 8) po obu stronach poręczy.

Wybierz odpowiednią wysokość uchwytu poruszając nim do góry lub w dół. Następnie zablokuj dźwignienki szybkozaciskowe.

6.3 PODŁĄCZANIE URZĄDZENIA DO SIECI ELEKTRYCZNEJ.

Podłącz wtyczkę kabla do sieci elektrycznej (230-240 V, 50 Hz).

Upewnij się, że kabel jest dostatecznie długi.

6.4 WŁĄCZANIE/WYŁĄCZANIE KOSIARKI

6.4.1 Włączanie:

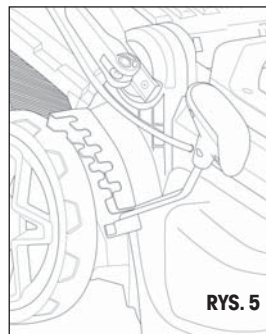
Naciśnij i przytrzymaj przycisk bezpieczeństwa (patrz rys. 6, punkt 1), następnie zbliż dźwignię przełącznika do uchwytu (patrz rys 6, punkt 2) Zwolnij przycisk bezpieczeństwa.

6.4.2 Wyłączanie:

Poluzuj dźwignię przełącznika (patrz rys. 6, punkt 2)

⚠ UWAGA: Po wyłączeniu kosiarki nóż obraca się jeszcze przez kilka sekund.

⚠ UWAGA: Nie wyłączaj i nie włączaj kosiarki szybko po sobie.



7. DANE TECHNICZNE

Model	FZR 2048 E
Zasilanie	230-240 V, 50 Hz
Pobór mocy	2 000 W
Obroty na biegu jałowym	3 550 obr./min.
Szerokość koszenia (długość noża):	420 mm
Wysokość koszenia	25-75 mm (6 poziomów)
Pojemność kosza zbiorczego	48 l
Ciężar pustego urządzenia:	12,5 Kg
Głośność	
LpA (ciśnienie akustyczne)	82,4 dB(A) K = 3 dB(A)
LwA (poziom mocy akustycznej)	89,5 dB(A) K = 1,80 dB(A)
Gwarantowany poziom mocy akustycznej (LWA max)	zgodnie z dyrektywą dotyczącą głośności 2000/14:
LwA MAX	95 dB(A)
Wibracje:	maks. 2,17 m/s ² K = 1,5 m/s ²

8. ROZWIĄZYWANIE PROBLEMÓW

PROBLEM	PRAWDOPODOBNA PRZYCZYNA	ROZWIĄZANIE
Rękojeść nie znajduje się w prawidłowym położeniu	Śruby mocujące uchwytu nie są prawidłowo osadzone. Śruba łącząca uchwytu kosiarki nie są dokręcone.	Dostosuj wysokość rękojeści i upewnij się, że śruby są prawidłowo osadzone w wywierconych otworach. Dokręć śruby łączące.
Kosiarka się nie włącza.	Przedłużacz nie jest podłączony do gniazda kosiarki. Przedłużacz nie jest podłączony do źródła zasilania. Przełącznik sterujący jest uszkodzony.	Podłącz ponownie przewód zasilający i użyj ogranicznika do utrzymania przewodu w pobliżu wyłącznika. Podłącz przedłużacz do gniazdko, które jest pod napięciem. Przełącz urządzenie do autoryzowanego serwisu w celu wymiany wyłącznika sterowania silnika.
Kosiarka kosi trawę nierównomiernie.	Trawnik jest posegmentowany lub wyboisty. Wysokość koszenia nie jest ustawiona prawidłowo.	Sprawdź obszar koszenia. Przesuń rolki wyżej.
Kosiarka niemułczyje prawidłowo.	Kawałki mokrej trawy przyklejają się do dolnej strony płyty.	Poczekaj do wyschnięcia trawy.
Trudności podczas pchania kosiarki.	Trawa jest długa lub wysokość koszenia jest zbyt mała.	Zwiększ wysokość koszenia.
Kosiarka wibruje przy wyższych prędkościach.	Wał silnika jest wygięty. Nóż nie jest wyważony.	Zatrzymaj silnik, odłącz kosiarkę od zasilania i sprawdź, czy nie jest uszkodzona. Napraw kosiarkę przed ponownym uruchomieniem. Jeżeli drgania nie ustępują, zadzwoń na bezpłatną linię obsługi klienta. Wyważ nóż poprzez równomierne oszlifowanie każdej krawędzi tnącej.

9. KONSERWACJA

⚠ UWAGA! Zanim przystąpisz do demontażu kosza zbiorczego, wyłącz kosiarkę i wyjmij wtyczkę przedłużacza z gniazdka.

📖 Uwaga: Niżej opisany sposób konserwacji zalecamy wykonywać regularnie, dzięki czemu dojdzie do przedłużenia żywotności urządzenia i zwiększenia jego niezawodności.

- ☼ Dokonuj regularnie kontroli wizualnej urządzenia, aby wcześniej rozpoznać widoczne usterki lub poluzowanie, nieprawidłowe osadzenie czy uszkodzenie noża czy też uszkodzenie lub nadmierne zużycie innych części.
- ☼ Sprawdzaj regularnie, czy nie doszło do uszkodzenia pokryw ochronnych czy urządzeń ochronnych oraz czy znajdują się one na właściwych miejscach.
- ☼ Przed każdym użyciem urządzenia dokonaj wszelkich potrzebnych napraw i konserwacji.
- ☼ Jeśli pomimo regularnej konserwacji urządzenie nie działa, zwróć się o pomoc do naszego serwisu, ewentualna naprawa powinna zostać wykonana przez naszego partnera umownego w jednym z wyspecjalizowanych warsztatów marki Fieldmann.

9.1 WYMIANA NOŻA

W celu wymiany filtra powietrza zalecamy skontaktowanie z autoryzowanym serwisem. Używaj zawsze oryginalnych części zamiennych.

Przed przeglądem noża odłącz zawsze kosiarkę od sieci elektrycznej i sprawdź, czy silnik jest wyłączony.

⚠ UWAGA! Pamiętaj, że nóż wciąż się obraca nawet po kilku sekundach po wyłączeniu silnika. Nigdy nie próbuj zatrzymać noża. Sprawdzaj w regularnych odstępach czasu, czy nóż jest bezpiecznie przymocowany, czy jest ostry i w dobrym stanie. O ile to konieczne, naostrz go lub wymień.

Jeśli podczas koszenia nóż natrafi na jakiś przedmiot, wyłącz kosiarkę i poczekaj, aż nóż się zatrzyma. Następnie sprawdź stan noża i śruby mocujące.

Jeśli są one uszkodzone lub doszło do ich zgubienia, należy je natychmiast wymienić.

Ważne: Podczas pracy należy używać rękawic ochronnych.

Poluzuj śrubę, które przytrzymują nóż (za pomocą klucza), przekręcając je w kierunku przeciwnym do ruchów wskazówek zegara, zdejmij nóż i wymień go na nowy. Upewnij się, czy nowy nóż jest zamontowany w prawidłowym kierunku. Przykręć śrubę zgodnie z ruchem wskazówek zegara.

10. LIKWIDACJA

WSKAZÓWKI I INFORMACJE DOTYCZĄCE GOSPODARKI ZUŻYTYM OPAKOWANIEM

Zużyty materiał z opakowania należy przekazać do wskazanego przez gminę punktu zbiórki odpadów.

LIKWIDACJA ZUŻYTYCH URZĄDZEŃ ELEKTRYCZNYCH I ELEKTRONICZNYCH



Ten symbol umieszczony na produkcie lub w jego dokumentacji przewodniej oznacza, że zużyte urządzenia elektryczne i elektroniczne nie mogą być wyrzucane wraz ze zwykłym odpadem komunalnym. W celu zapewnienia należytej likwidacji, utylizacji i recyklingu tych wyrobów należy przekazać je do wyznaczonych punktów zbiórki odpadów. W niektórych państwach Unii Europejskiej lub innych krajach europejskich można zwrócić produkt lokalnemu sprzedawcy przy zakupie ekwiwalentnego nowego produktu. Prawidłowo likwidując produkt, pomagasz zachować cenne źródła surowców naturalnych i przeciwdziałasz ich negatywnemu wpływowi na środowisko naturalne i zdrowie ludzkie, który mógłby być wynikiem nieodpowiedniej likwidacji odpadów. Szczegółowych informacji udzieli najbliższy lokalny urząd lub najbliższy punkt zbiórki odpadów. Za nieprawidłową likwidację tego rodzaju odpadów mogą być nakładane kary zgodne z lokalnymi przepisami.

Dotyczy podmiotów gospodarczych z krajów Unii Europejskiej

Jeśli chcą Państwo likwidować urządzenia elektryczne i elektroniczne, prosimy o uzyskanie potrzebnych informacji od sprzedawcy lub dostawcy wyrobu. Likwidacja w pozostałych krajach poza Unią Europejską Ten symbol obowiązuje w Unii Europejskiej. Jeśli chcą Państwo zlikwidować ten wyrób, prosimy o uzyskanie potrzebnych informacji dotyczących prawidłowego sposobu likwidacji od lokalnych urzędów lub od sprzedawcy.



Ten produkt spełnia wszelkie podstawowe wymagania dyrektyw UE, które go dotyczą.

Zastrzegamy sobie możliwość dokonywania zmian tekstu, designu i danych technicznych produktu bez uprzedzenia.

Instrukcja użycia w języku oryginalnym.



 **FIELDMANN**[®]
Home & Garden Performance